

LIQUID SPRAYERS

# PARTS CATALOG

CHALLENGER

4X5X SPRA-COUCPE SUPPLEMENTAL (EFF S/N  
..Rxx1001 - EFF S/N ..Txx1001)

AG622841 A

June 2008

# How to use this Parts Book

## Parts Ordering Guide:

1. Give the Serial Number of your Chassis or System when ordering.
2. Use the part number and description when ordering parts.
3. Give the Assembly Title if needed.
4. Give the P/N number and date for the Parts Book if needed.

## Parts List Abbreviations

NSS Not Sold Separately  
 AR As Required, usually for a lubricant or adhesive  
 REF Reference - Part called out on a different page.  
 NS Not shown in illustration  
 R/B Replaced by another number  
 ASM assembly page

## Notice:

Every effort has been made to ensure the accuracy of the information in this book. However, because of design changes that can occur since this book was published, it is possible that some illustrations and part numbers can be different than on your machine. The technical information in this book was correct at the time this book was approved for publication.

### FUEL TANK AND TOOL BOX INSTL

ITEM	PART #	QTY	DESCRIPTION	COMMENTS
1	AG109742	4	MATTING-RUBBER,2.00X44.50X.12	
2	AG109754	4	MATTING-RUBBER,2.00X46.00X.12	
3	AG120558	1	TUBE WLDMT-FUEL LINE	
4	AG122229	1	BRKT,STIFFNER,HAT SECTION	
5	AG122302	1	BRKT-AUX BAT POST	
6	AG125208	1	SHIELD-EXHAUST	
7	AG125210	4	STRAP WLDMT-FUEL TANK	
8	AG126403	4	BOLT-.31-18X2.75 G5 CRG ZN/Y	
9	AG130111	1	PLATE,MTG-FUEL TUBE	
10	AG130414	4	TUBE-RD,.75ODX.12WALL X 2.00LG	
11	AG262729	2	PLATE-SLOT SEALING	
12	AG325049	1	CABINET ASM-TOOL BOX,LH	
13	AG325050	1	CABINET ASM-TOOL BOX,RH	
14	AG504815	1	TANK-FUEL,65GL,POLY,RH	
15	AG504816	1	TANK-FUEL,65GL,POLY,LH	
16	AG510939	-	HOSE HYD 0.37 BULK 250PSI WP [BULK: 5 FT]	
17	AG512346	-	3M 1300 YELLOW ADHESIVE (GAL) [BULK: 0.001 GL]	
18	AG512885	AR	LOCTITE ADHESIVE SEALANT BLUE	
19	AG518292	2	BOLT-UJ .31-18X2.00X 2.69 RD SS	
20	AG519556	1	SENDING UNIT FUEL LEVEL	
21	AG522183	-	HOSE-FUEL,2.00 ID [BULK: 2.5 FT]	
22	AG522439	8	BOLT-.38-16X1.5,G5,ZN,CRG	
23	AG522453	2	VENT-FUEL,90D,.50MNPTX.38HOSEB	
24	AG523919	8	CLAMP-HIGH TORQUE,3.00	
25	AG550124	2	NUT 0.50-13NC HEX ZN REG	
26	AG550205	4	WASHER LK 0.31 ZN REG	
27	AG550213	4	NUT 0.31-18NC HEX ZN REG	
28	AG550256	2	BOLT.50-13NCX1.25 G5 ZN HHD	
29	AG550264	2	WASHER 0.50 LK ZN REG	
30	AG550353	10	WASHER 0.50 FL ZN REG TYPE-B	
31	AG551007	8	WASHER FL 0.37 ZN REG TYPE-B	
32	AG551015	4	WASHER 0.31 FL ZN REG TYPE-B	
33	AG551201	1	ADAP STR .37MNPT X .37MJIC (N)	
34	AG552461	1	ADAP STR 0.50MNPT X 0.50MJIC	
35	AG561025	2	CLAMP HOSE .218 TO .625 U55	
36	AG561867	2	PLUG PIPE 0.25-18 EXT HEX HD	
37	AG601152	8	NUT 0.50-13NC HEX ZN REG NY	
38	AG601411	8	NUT 0.37-16NC HEX ZN REG LK NY	
39	AG601888	4	NUT 0.31-18NC HEX ZN REG NY	
	FOOTNOTE [A]		FOR REPLACEMENT CAP USE AG055178	
	FOOTNOTE [B]		FOR REPLACEMENT CAP USE AG055178	

Assembly Title, refer to Table of Contents

Assembly Reference, see referenced page

SEE PAGE 4-2  
 SEE PAGE 4-3  
 [A]  
 [B]

Footnote Reference, see notes below.

Footnote Reference

Footnote description

Assembly Page #, refer to Table of Contents

Part Book Section, refer to Table of Contents

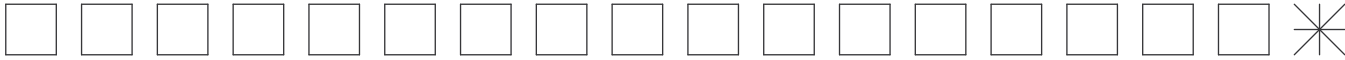
Part Book Title, refer to Part Book Cover

1 - 3

9  
CHECK LETTER

14 - 17

MACHINE IDENTIFICATION NUMBER  
SEQUENCE NUMBER WILL VARY OVER AT  
THE BEGINNING OF EACH MODEL YEAR.  
THE FIRST MACHINE OF EACH MODEL YEAR  
WILL BE IDENTIFIED 1001.



4

5 - 8

10 11 12 13

1 - 3	
WORLD MANUFACTURER CODE	
AGC	ABCD

4	
BRAND CODE	
A	AG-CHEM
C	CHALLENGER
L	LORAL
S	SPRA-COUPÉ
W	WILLMAR

5 - 8	
MODEL NUMBER	
0074	
1074	
107C	
0103	
1000	
1003	
0203	
0204	
0244	
0209	
0100	
0095	
3104	
3244	
0095	
009C	
0300	
0400	

5 - 8	
MODEL NUMBER	
0100	
0200	
0209	
0600	
0609	
1000	
1003	
2403	
0107	
4500	
0500	
3400	
3050	
4400	
4403	
4400	
4000	
4003	
4009	
7400	
7600	
7603	
7400	
7600	
0410	
0410	
0735	
0745	
0755	
0765	
0805	
0845	
0805	
0805	
0875	
0945	
0905	
0965	
0975	
2244	
3244	

10	
LOCATION/BALT CODE	
W	JACKSON
0	ORSHOVORST

11	
MODEL YEAR CODE	
P	2005
R	2006
S	2007
T	2008
U	2009
V	2010
W	2011
X	2012

12	
OPTION CODE	
0	NO CODE
B	BALT-ON HOPPER
T	BARRON AXLE
B	WIRE AXLE
I	EXTRA WIRE AXLE
E	ESP
P	POLY TANK
S	STAINLESS TANK
R	WEE LEADER
A	740
B	750
C	760
G	800
H	840
J	860
K	880
L	875
R	840
S	860
T	860
U	875

13	
OPTION CODE	
0	NO CODE
A	AUTOMATIC TANK
M	MANUAL TANK
P	POWERHIFT TANK
S	ESP
0	800 GALLON
I	1000 GALLON
L	NEW LEADER
A	840 AX
B	840 SCRAPPER
C	P.O.D., M 840 (OPTION 001)
D	P.O.D., M 840 (OPTION 001)
E	P.O.D., M 840 (OPTION 001)
F	P.O.D., M 840 (OPTION 001)
G	P.O.D., M 840 (OPTION 001)

SPECIFICATION-EUROPE,CHASSIS/SYSTEM	1
SPECIFICATION-COUNTRY,CHASSIS/SYSTEM	2
TIRE AND WHEEL GROUP-FRONT	3
TIRE AND WHEEL GROUP-REAR	4
FRAME GROUP-TILT,ACE	5
BOOM GROUP	6
BOOM PLUMBING GROUP	7
HYDRAULIC GROUP	8
ELECTRICAL GROUP	9
TANK RINSE SYSTEM GROUP	10
OIL COOLER INST	11
EDUCTOR GROUP-CHEMICAL,SS	12
INDICATOR INST-LEVEL	13
BOOMREST GROUP	14
DECAL GROUP	15
OPTIONS GROUP	16

---

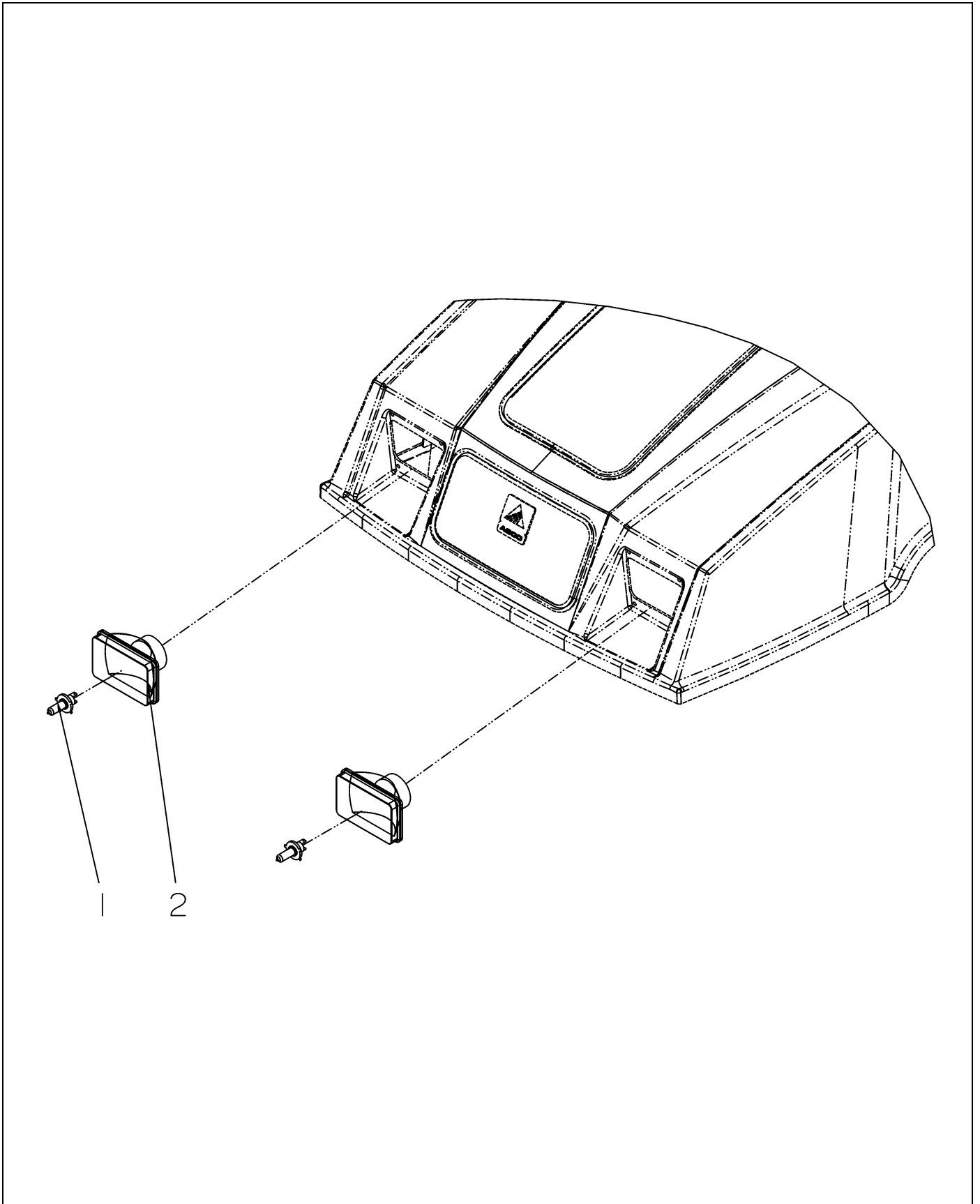


HEADLIGHT INSTL-EUROPE	1-1
LAMP INSTL-TURN SIGNAL,FRONT	1-2
BRACKET ASM-TURN SIGNAL,FRONT	1-3
TAILLIGHT INSTL-EUROPE,SC4X50	1-4
LIGHTING ASM-CONN,LH	1-5
LIGHTING ASM-CONN,RH	1-6
PLATE INSTL-COVER,CAB ROOF	1-7
LAMP INSTL-ROTATING,AMBER,SC	1-8
HOLDER INSTL-DOOR,SC4X50	1-9
SWITCH INSTL-BATTERY,SHUT OFF	1-10
WASHER INSTL-WINDSHIELD	1-11
TOOLBOX INSTL-SC3X50/4X50	1-12
GAUGE INSTL-PRESS,SPRAY PRESS	1-13
COUPLING INSTL-QUICK,TANK,SC3X50	1-14
COUPLING INSTL-QUICK,TANK,SC4X50	1-15

---



# HEADLIGHT INSTL-EUROPE



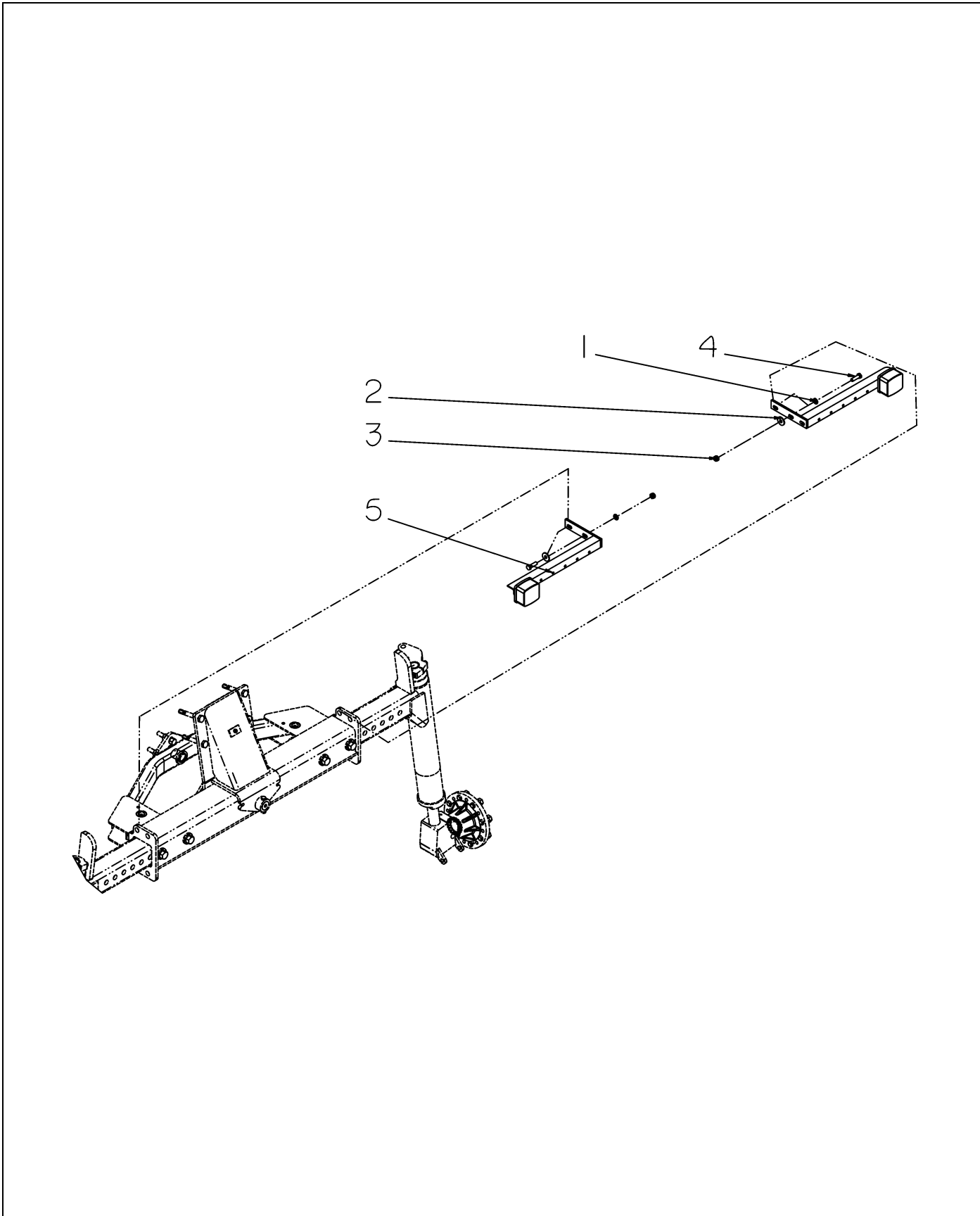
611737-A-P271-1.TIF



# HEADLIGHT INSTL-EUROPE

ITEM	PART #	QTY	DESCRIPTION	COMMENTS
1	E400051	2	LIGHT BULB-12V,60/55W,H4	
2	6672043	2	HEADLIGHT-EUROPE	

# LAMP INSTL-TURN SIGNAL,FRONT

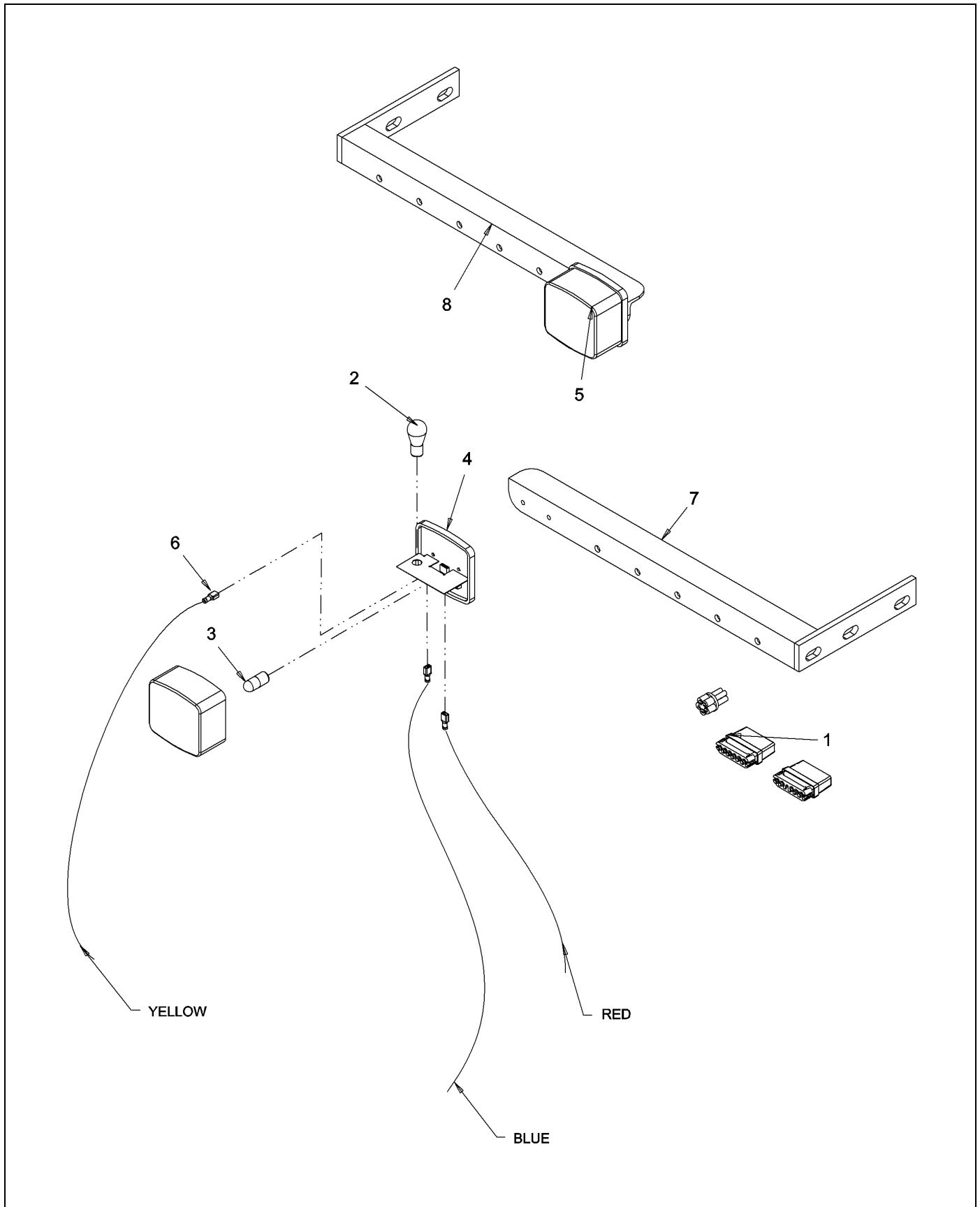


611735-A-P271-1.TIF

# LAMP INSTL-TURN SIGNAL,FRONT

ITEM	PART #	QTY	DESCRIPTION	COMMENTS
1	E100015	4	WASHER-M12,,,ISO7089	
2	E100027	4	WASHER-M12,,,ISO7093	
3	E100039	4	NUT-M12,8,,,ISO7040	
4	E100145	4	BOLT-M12X40,8.8,,,ISO4017	
5	E402197	1	BRACKET ASM-TURN SIGNAL,FRONT	SEE PAGE 1-3

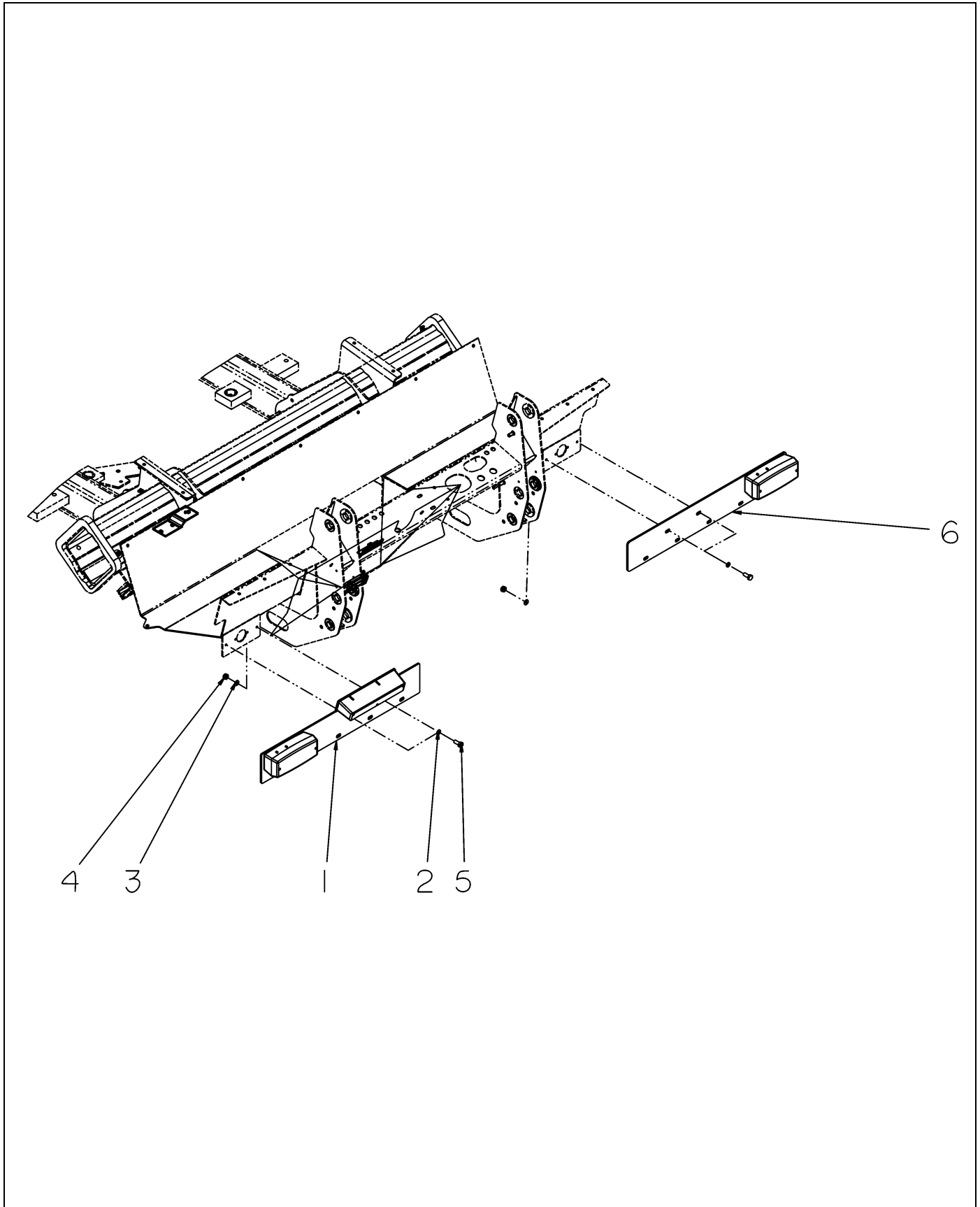
# BRACKET ASM-TURN SIGNAL,FRONT



E402197-B-01.TIF

# BRACKET ASM-TURN SIGNAL,FRONT

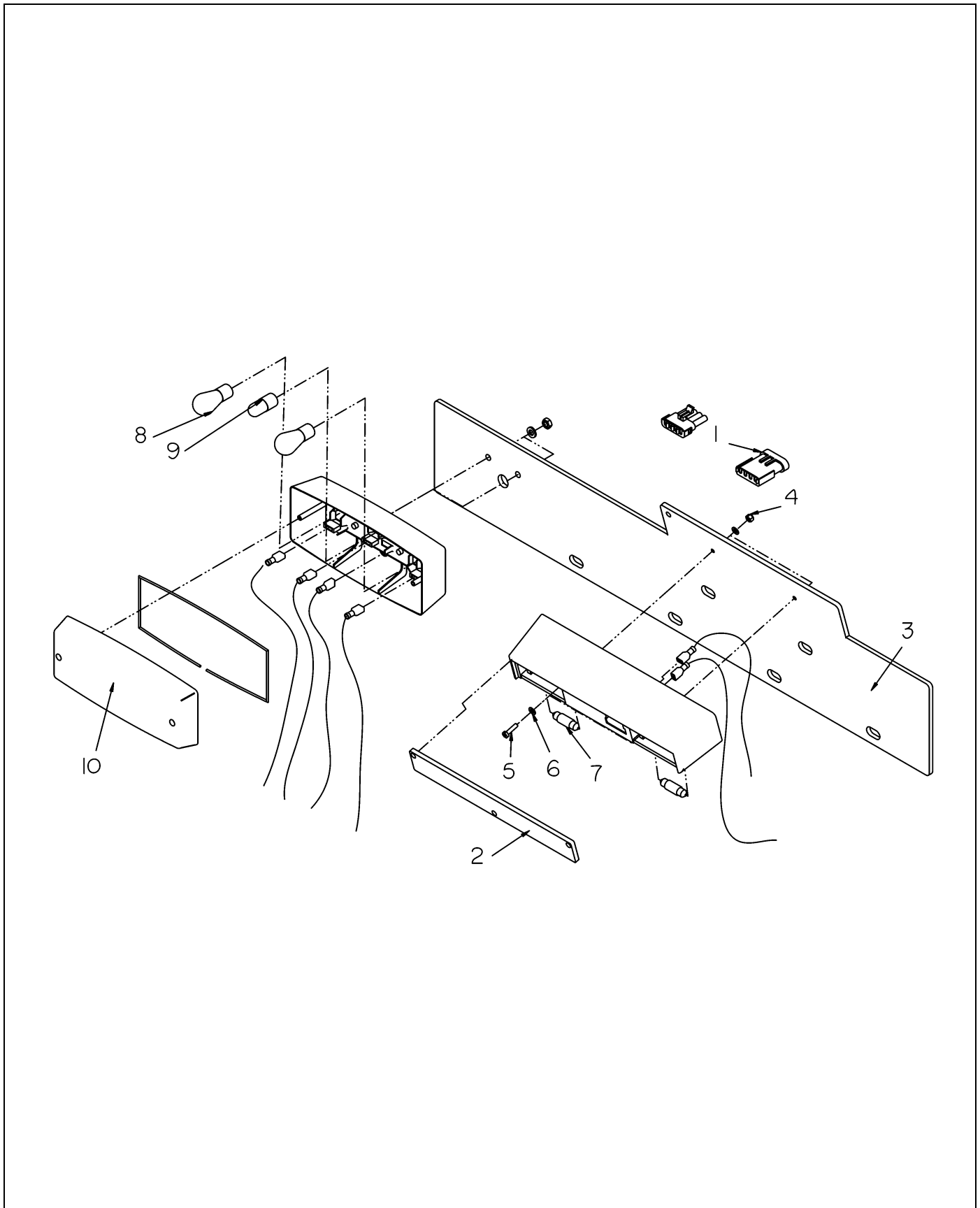
ITEM	PART #	QTY	DESCRIPTION	COMMENTS
1	AG611750	1	HARNES-TURN SIGNAL,FRONT	
2	E400002	2	LIGHT BULB-12V,21W	
3	E400003	2	LIGHT BULB-12V,5W	
4	E400224	1	LAMP-WARNING,LH FRONT	
5	E400225	1	LAMP-WARNING,RH FRONT	
6	E400875	6	CABLE END-FLAT,FE,ISLN RED	
7	E558874	1	BRACKET WLDMT-TURN SIG,LH FR	
8	E558875	1	BRACKET WLDMT-TURN SIG,RH FR	



612080-A-P271-1.TIF

# TAILLIGHT INSTL-EUROPE,SC4X50

ITEM	PART #	QTY	DESCRIPTION	COMMENTS
1	AG611948	1	LIGHTING ASM-CONN,LH	SEE PAGE 1-5
2	E100014	4	WASHER-M10,,,ISO7089	
3	E100026	4	WASHER-M10,,,ISO7093	
4	E100038	4	NUT-M10,8,,,ISO7040	
5	E100130	4	BOLT-M10X25,8.8,,,ISO4017	
6	E402200	1	LIGHTING ASM-CONN,RH	SEE PAGE 1-6



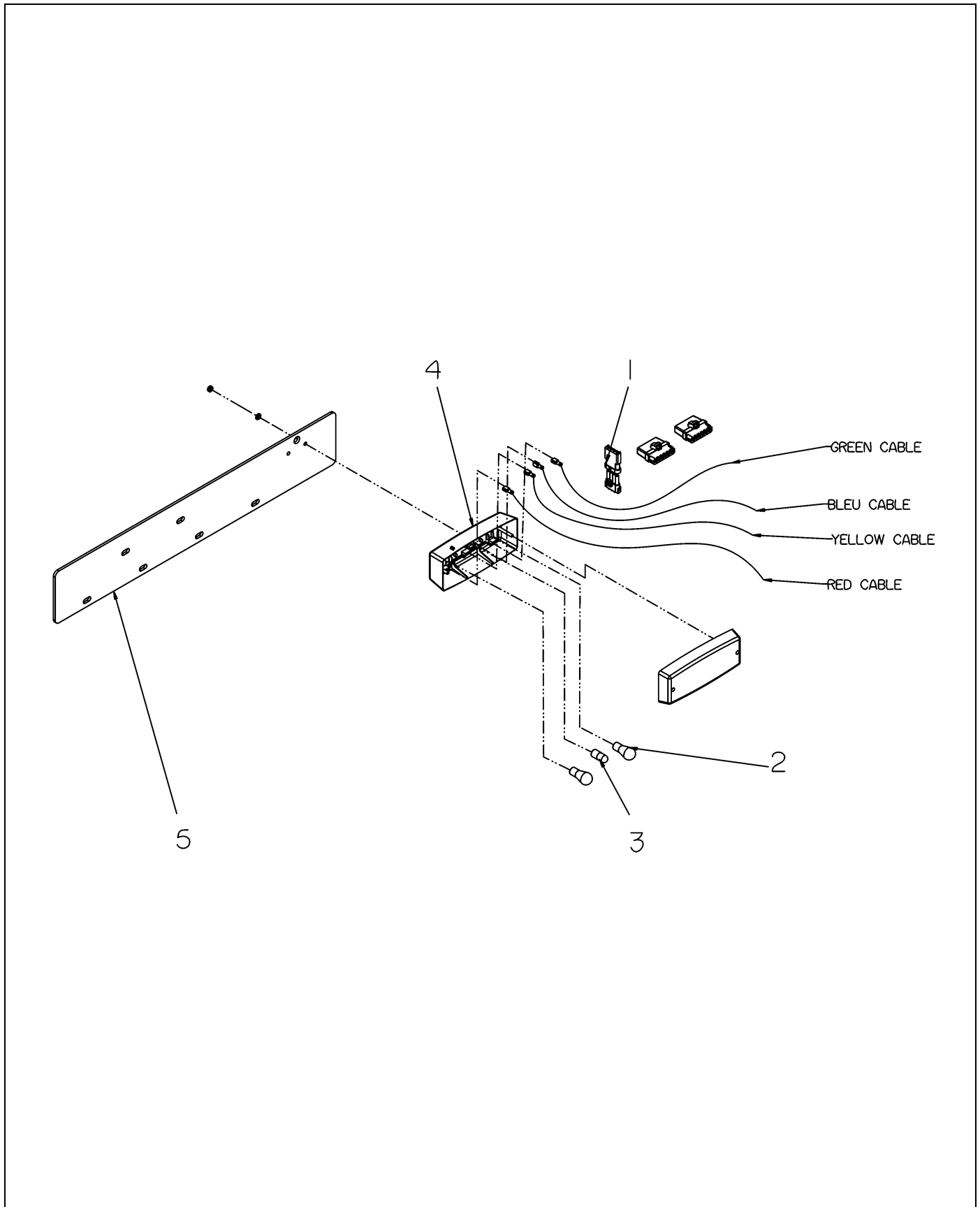
611948-C-P294-1.TIF



# LIGHTING ASM-CONN,LH

ITEM	PART #	QTY	DESCRIPTION	COMMENTS
1	AG611949	1	HARNES-CONN,LIGHTING,LH	
2	AG611950	1	LIGHT-LICENCE PLATE,MODIFIED	
3	AG612090	1	PLATE-MTG,TAILLIGHT,LH	
4	E105160	2	NUT-M4,,,SS,ISO7040	
5	E105183	2	BOLT-M4X16,,,SS,ISO1207	
6	E105338	4	WASHER-M4,SS,ISO7089	
7	E400000	2	LIGHT BULB-12V,5W,SV8.5	
8	E400002	2	LIGHT BULB-12V,21W	
9	E400003	1	LIGHT BULB-12V,5W	
10	E400415	1	LIGHT-REAR,SPRA COUPE,RH	

# LIGHTING ASM-CONN,RH

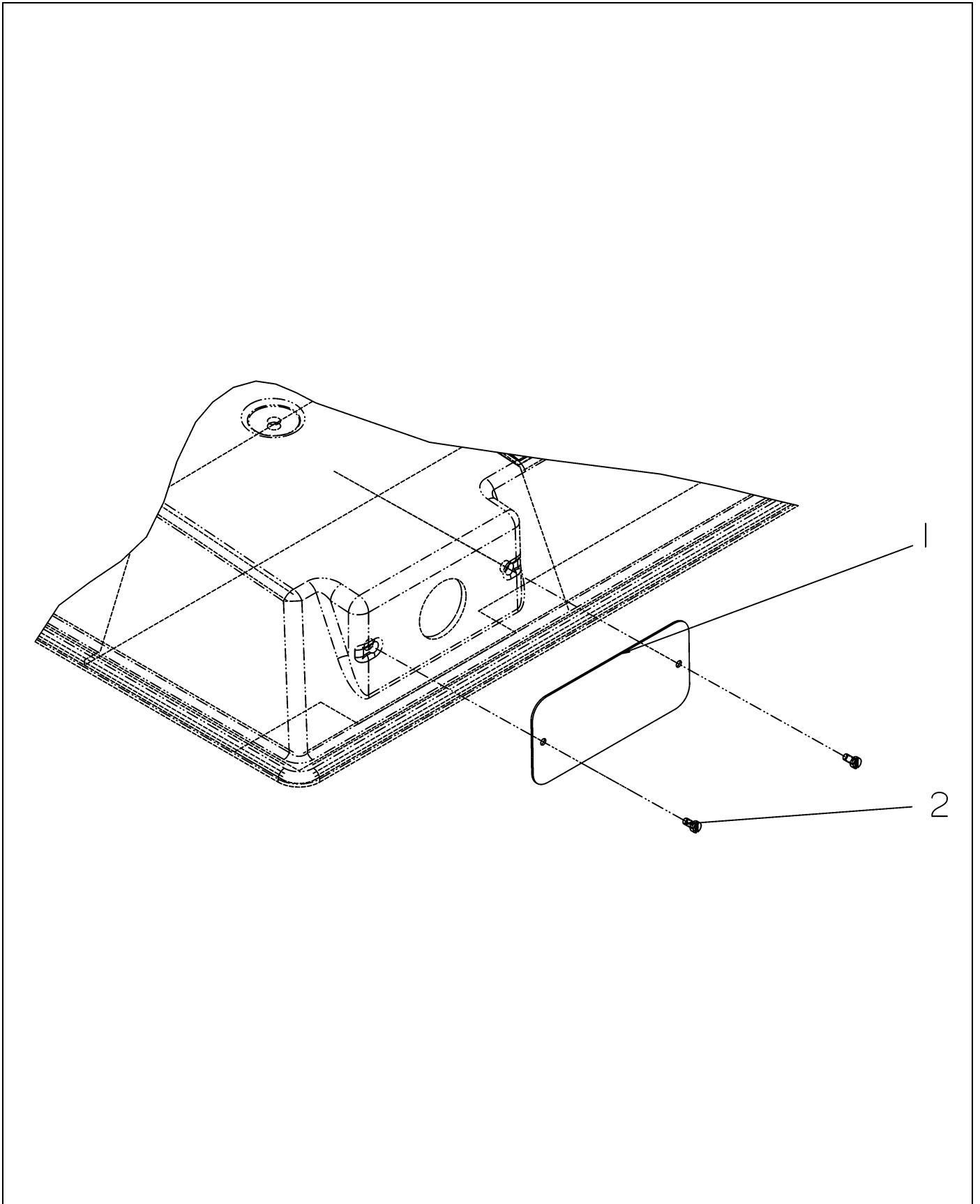


E402200-A-P271-1.TIF

# LIGHTING ASM-CONN,RH

ITEM	PART #	QTY	DESCRIPTION	COMMENTS
1	AG611795	1	HARNES-TAILLIGHT,RH,SC4x50	
2	E400002	2	LIGHT BULB-12V,21W	
3	E400003	1	LIGHT BULB-12V,5W	
4	E400415	1	LIGHT-REAR,SPRA COUPE,RH	
5	E558873	1	PLATE-MTG,TAILLIGHT,RH,SC4x50	

# PLATE INSTL-COVER,CAB ROOF

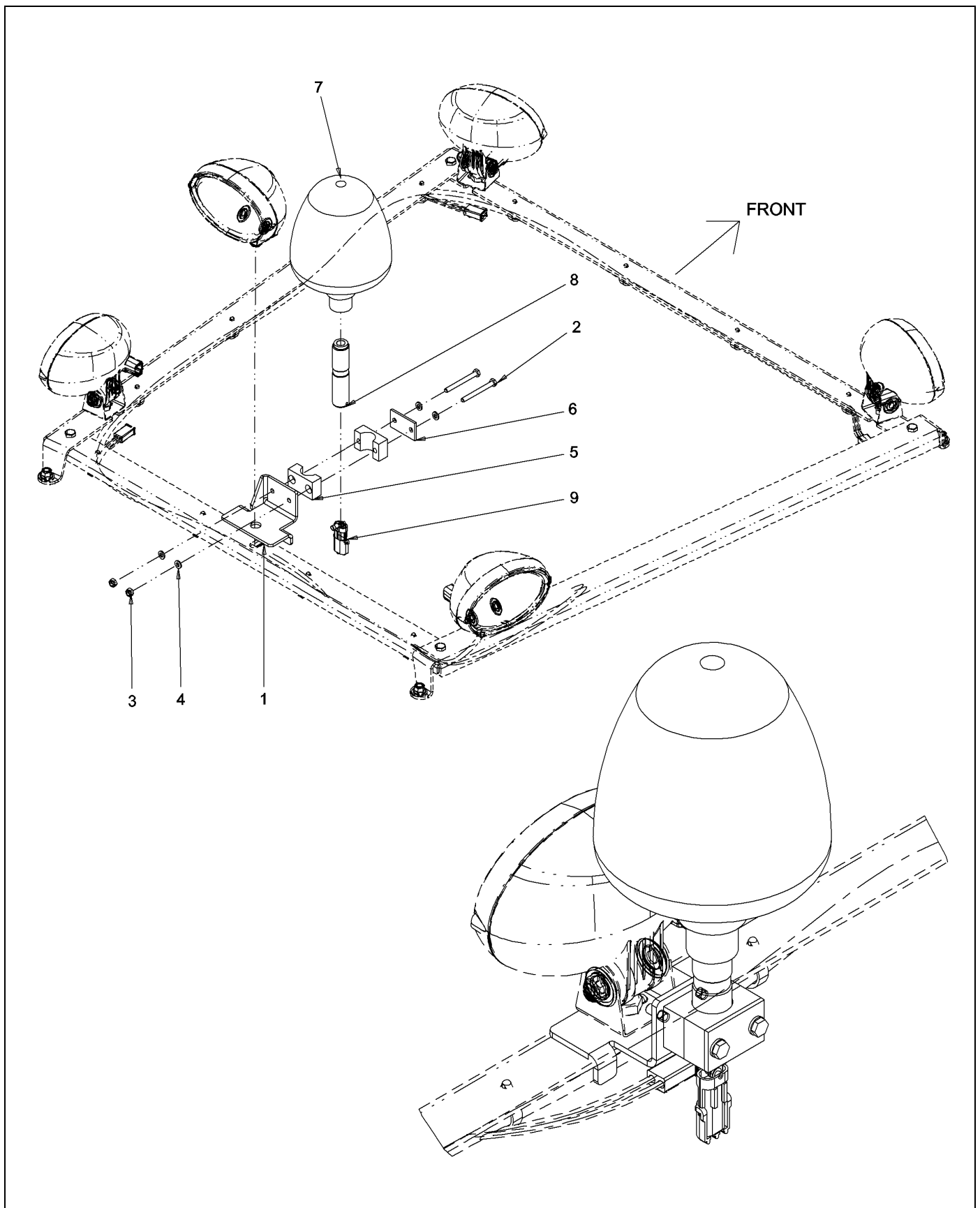


611783-A-P271-1.TIF

# PLATE INSTL-COVER,CAB ROOF

ITEM	PART #	QTY	DESCRIPTION	COMMENTS
1	AG612384	4	PLATE-COVER,LAMP SPRA COUPE	
2	E105198	8	BOLT-M5X10,,SS,ISO1207	

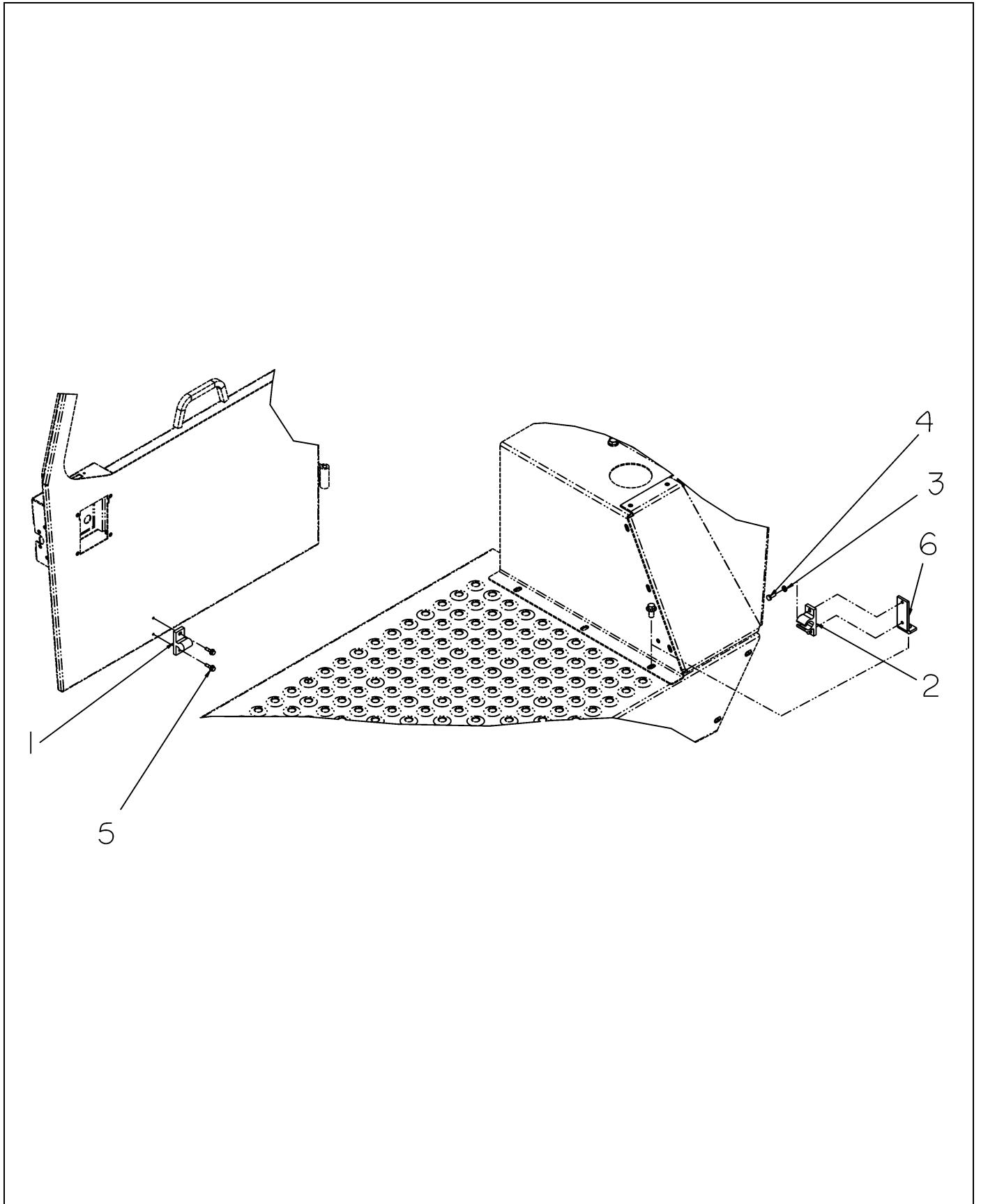
# LAMP INSTL-ROTATING,AMBER,SC



621515-A-01.TIF

# LAMP INSTL-ROTATING,AMBER,SC

ITEM	PART #	QTY	DESCRIPTION	COMMENTS
1	AG621513	1	BRACKET WLDMT-ROTATING LAMP, SC	
2	E105012	2	BOLT-M6X60,,SS,ISO4017	
3	E105162	2	NUT-M6,,SS,ISO7040	
4	E105316	4	WASHER-M6,SS,ISO7089	
5	E220045	2	CLAMP-SINGLE,25,PP (2 PIECES)	
6	E220056	1	PLATE-COVER,CLAMP,SGL,20/22/25	
7	E400017	1	LAMP-ROTATING,ORANGE,ROTAFLEX	
8	E400034	1	BRACKET-ELEC,LAMP ROTATING	
9	E558926	1	HARNES-ROTATING LAMP,SC	



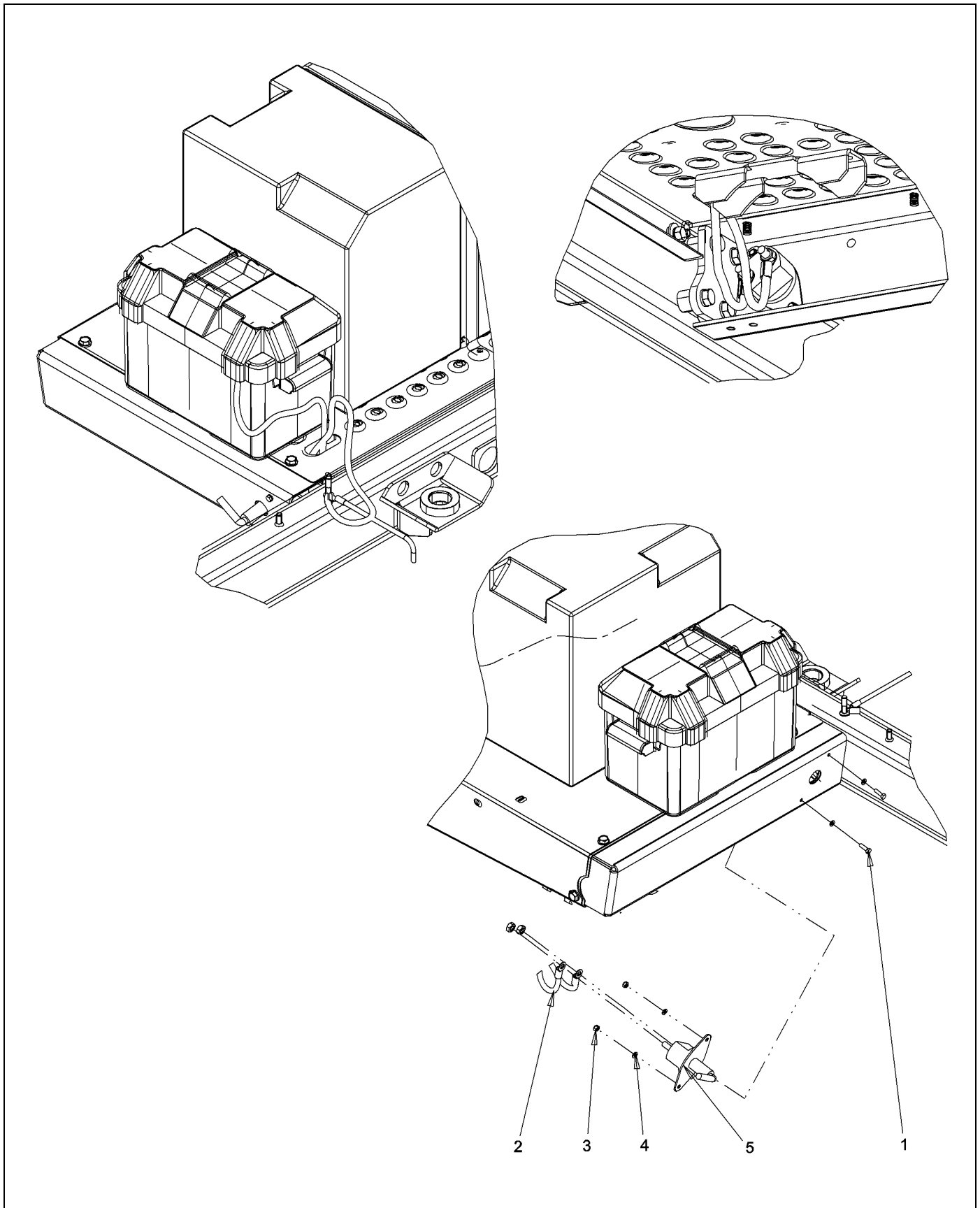
611782-A-P271-1.TIF



# HOLDER INSTL-DOOR,SC4X50

ITEM	PART #	QTY	DESCRIPTION	COMMENTS
1	E000949	1	HOLDER-DOOR,PLASTIC	
2	E000949	0	HOLDER-DOOR,PLASTIC	
3	E100012	2	WASHER-M6,,ISO7089	
4	E100102	2	BOLT-M6X16,8.8,,ISO4017	
5	E105201	2	BOLT-M5X16,8.8,,DIN7500	
6	E558877	1	BRACKET-DOOR HOLDER,SC3/4x50	

# SWITCH INSTL-BATTERY,SHUT OFF

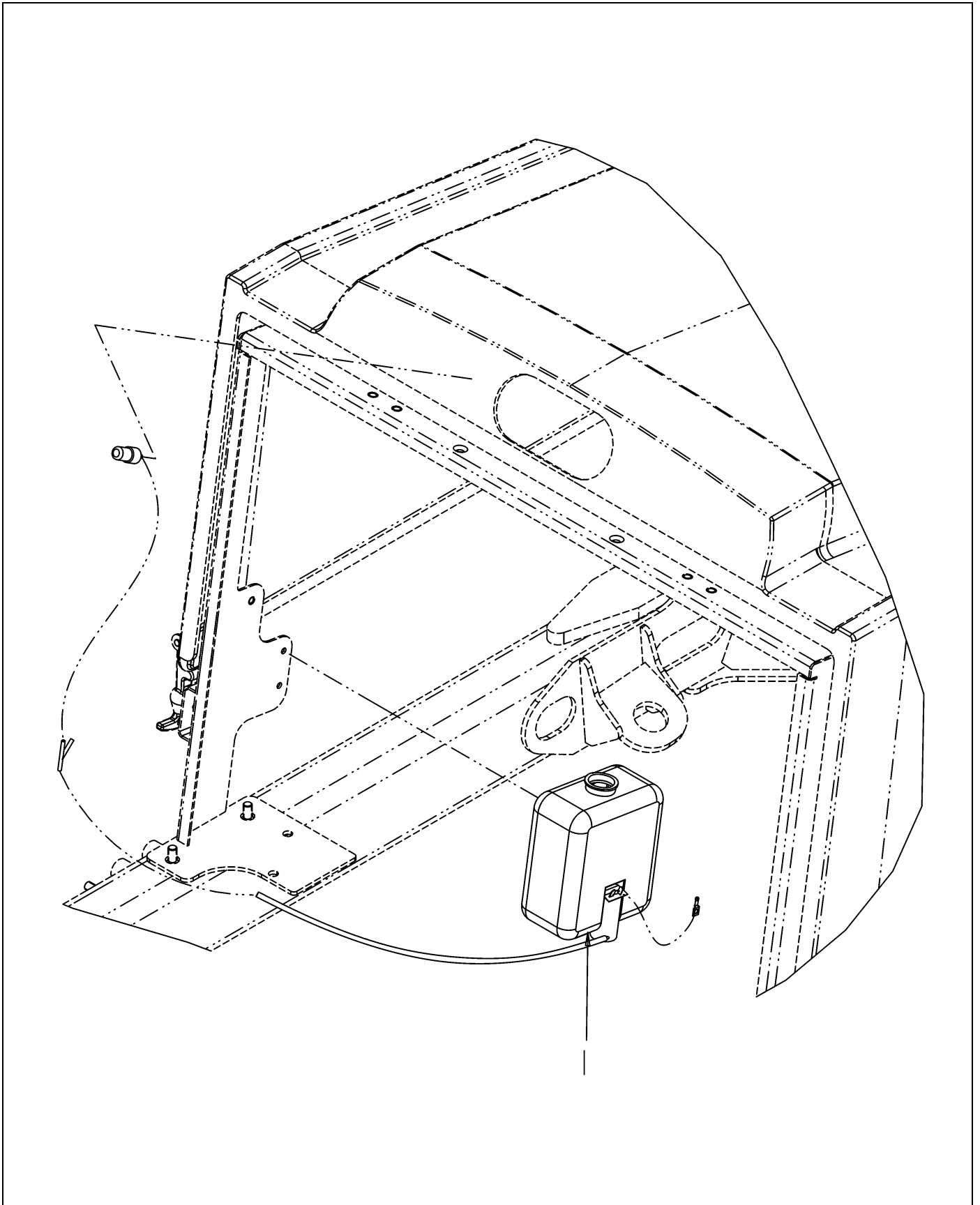


622857-A-01.TIF

# SWITCH INSTL-BATTERY,SHUT OFF

ITEM	PART #	QTY	DESCRIPTION	COMMENTS
1	AG520745	2	BOLT-M6X1.0X20,SS,HHD	
2	AG618537	1	CABLE-GROUND,CHASSIS,SC4X55	
3	E105162	2	NUT-M6,,,SS,ISO7040	
4	E105316	4	WASHER-M6,SS,ISO7089	
5	E400076	1	SWITCH-BATTERY,SHUTT OFF	[A]
	FOOTNOTE [A]		FOR REPLACEMENT KEY USE E400141.	

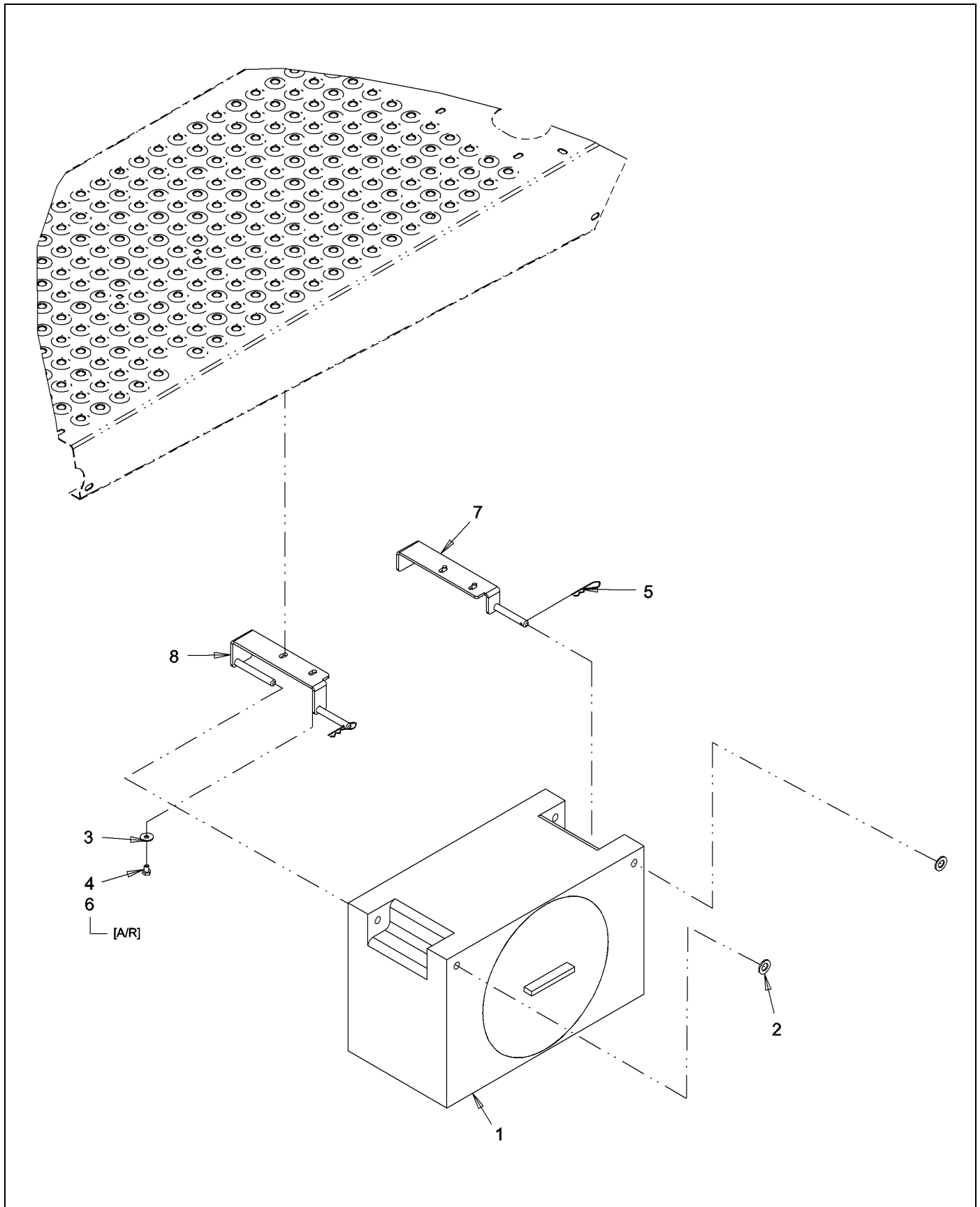
# WASHER INSTL-WINDSHIELD



611338-A-P271-1.TIF

# WASHER INSTL-WINDSHIELD

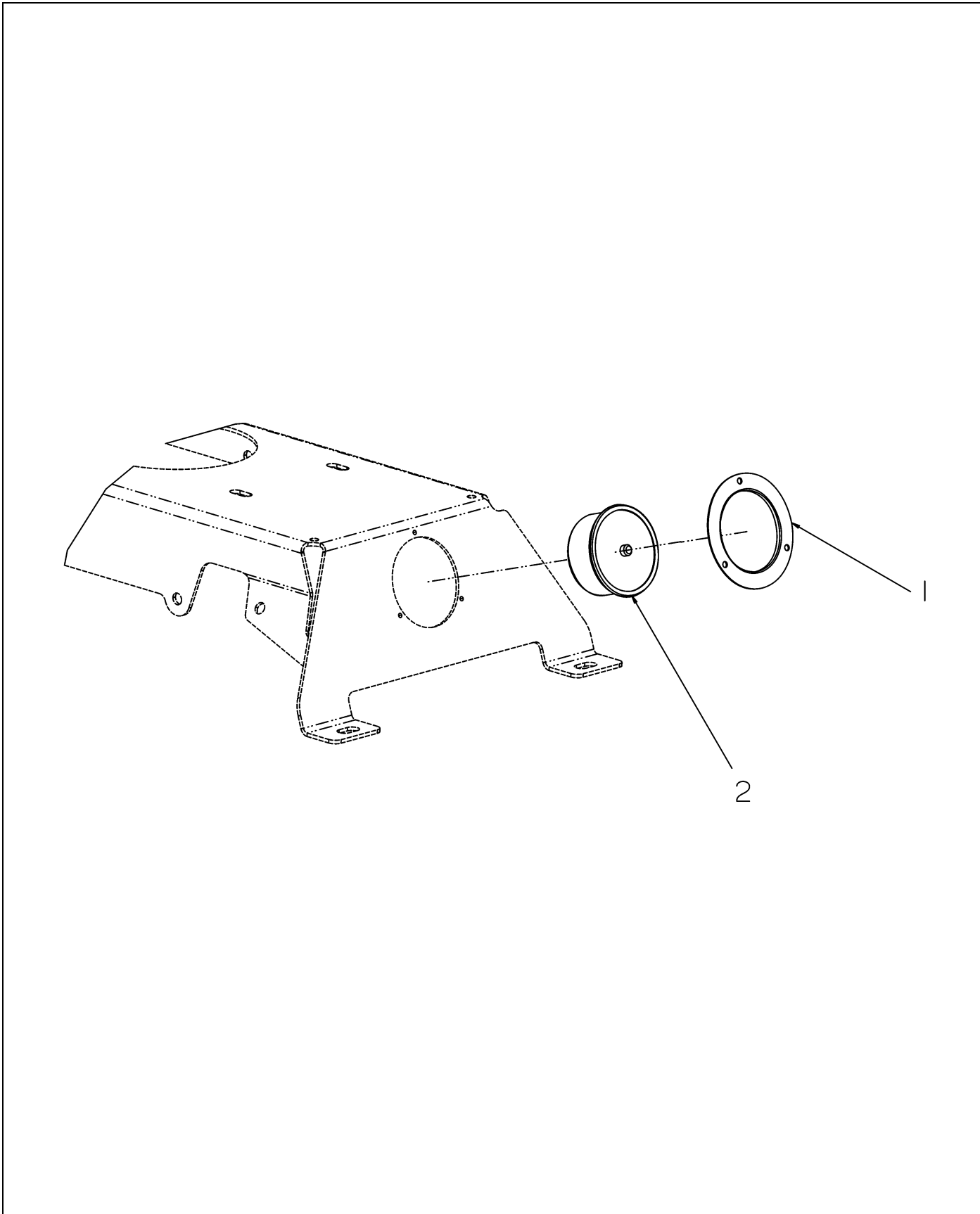
ITEM	PART #	QTY	DESCRIPTION	COMMENTS
1	6664438	1	KIT-WINDSHIELD WASHER	



612095-B-01.TIF

# TOOLBOX INSTL-SC3X50/4X50

ITEM	PART #	QTY	DESCRIPTION	COMMENTS
1	AG421088	1	BOX-ACCESSORY,MOLDED	
2	E100016	2	WASHER-M14,,,ISO7089	
3	E100025	4	WASHER-M8,,,ISO7093	
4	E100115	4	BOLT-M8X12,8.8,,,ISO4017	
5	E104091	2	PIN-HAIR COTTER,3.0MM	
6	E120000	-	LOCTITE-ADHESIVE SEALANT,GREEN [BULK: 0.00 LITER]	
7	E558807	1	BRACKET WLDMT-MTG,TOOLBOX,REAR	
8	E558808	1	BRACKET WLDMT-MTG,TOOLBOX,FR	



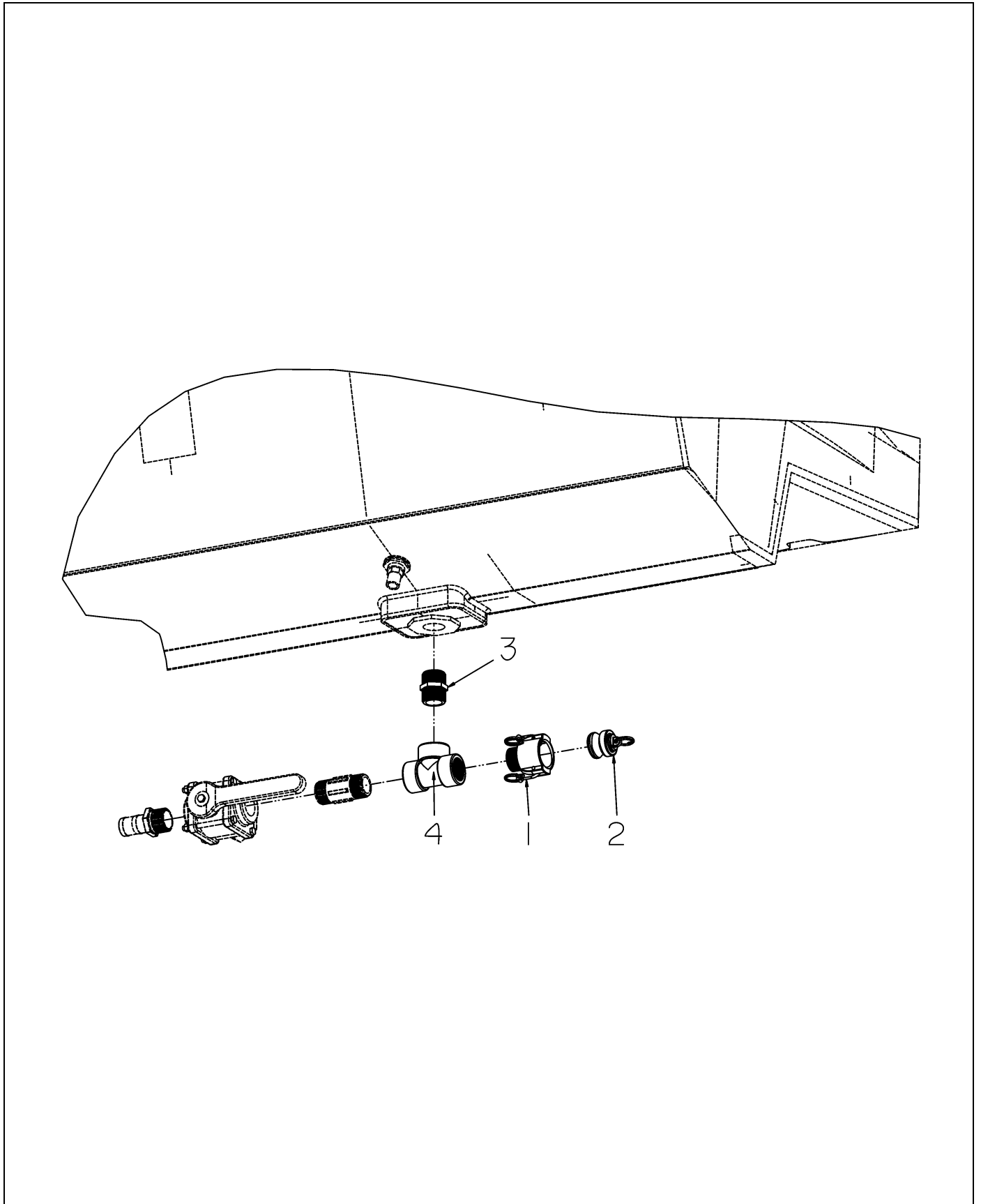
611336-A-P271-1.TIF



# GAUGE INSTL-PRESS,SPRAY PRESS

ITEM	PART #	QTY	DESCRIPTION	COMMENTS
1	E211019	1	RING-FRONT,MANOMETER,SS	
2	E560205	1	GAUGE-PRESSURE,0.0-15/60BAR	

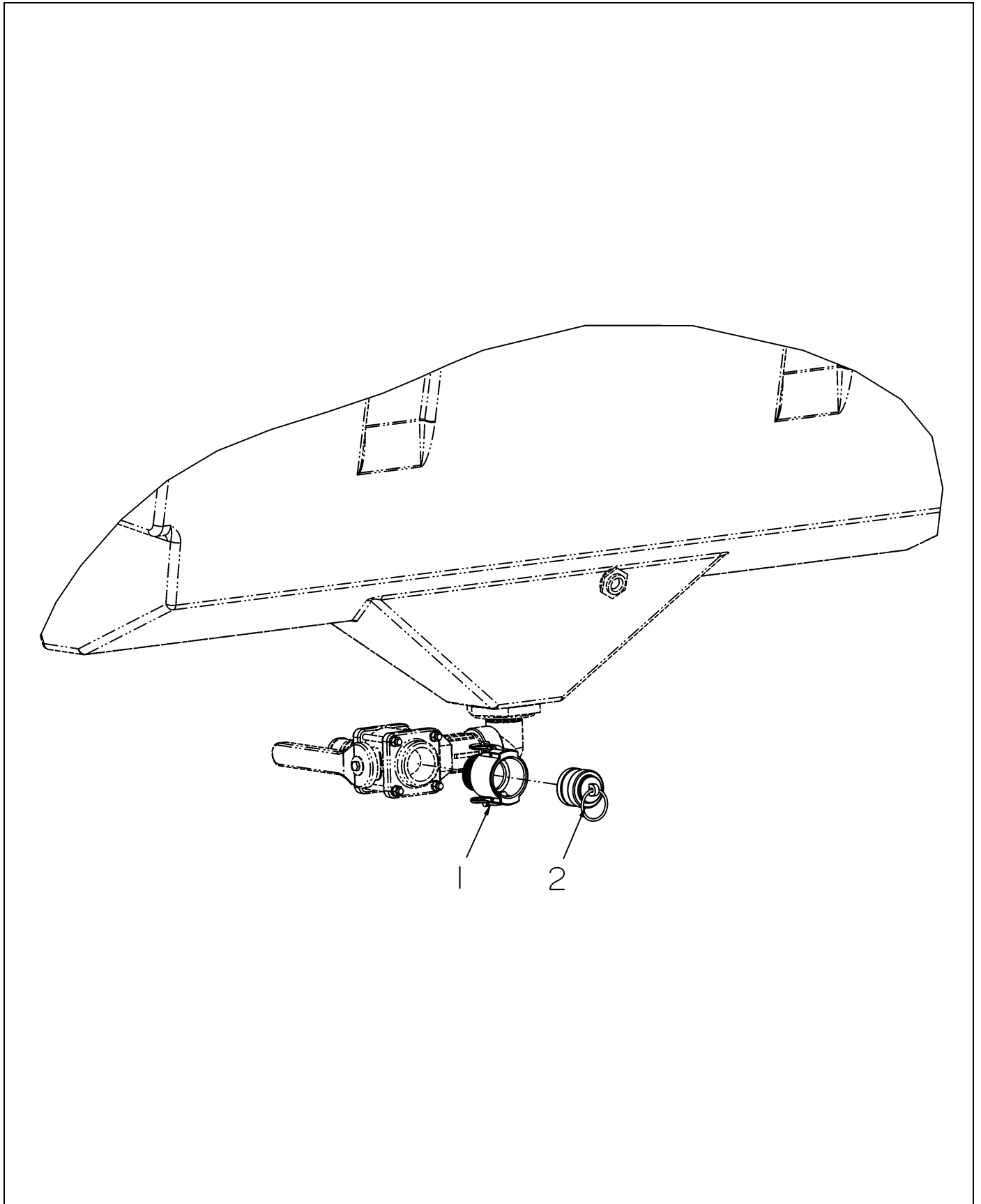
# COUPLING INSTL-QUICK,TANK,SC3X50



611535-A-P271-1.TIF

# COUPLING INSTL-QUICK,TANK,SC3X50

ITEM	PART #	QTY	DESCRIPTION	COMMENTS
1	AG000813	1	ADAPTER-CAMLOCK 1.50MNPT,FE	
2	AG000825	1	CAP-CAMLOCK 1.50,MA	
3	AG050253	1	NIPPLE-DOUBLE,1.50MNPT,PP	
4	AG050273	1	TEE-PIPE,1.50FNPT,PP	



611324-A-P271-1.TIF

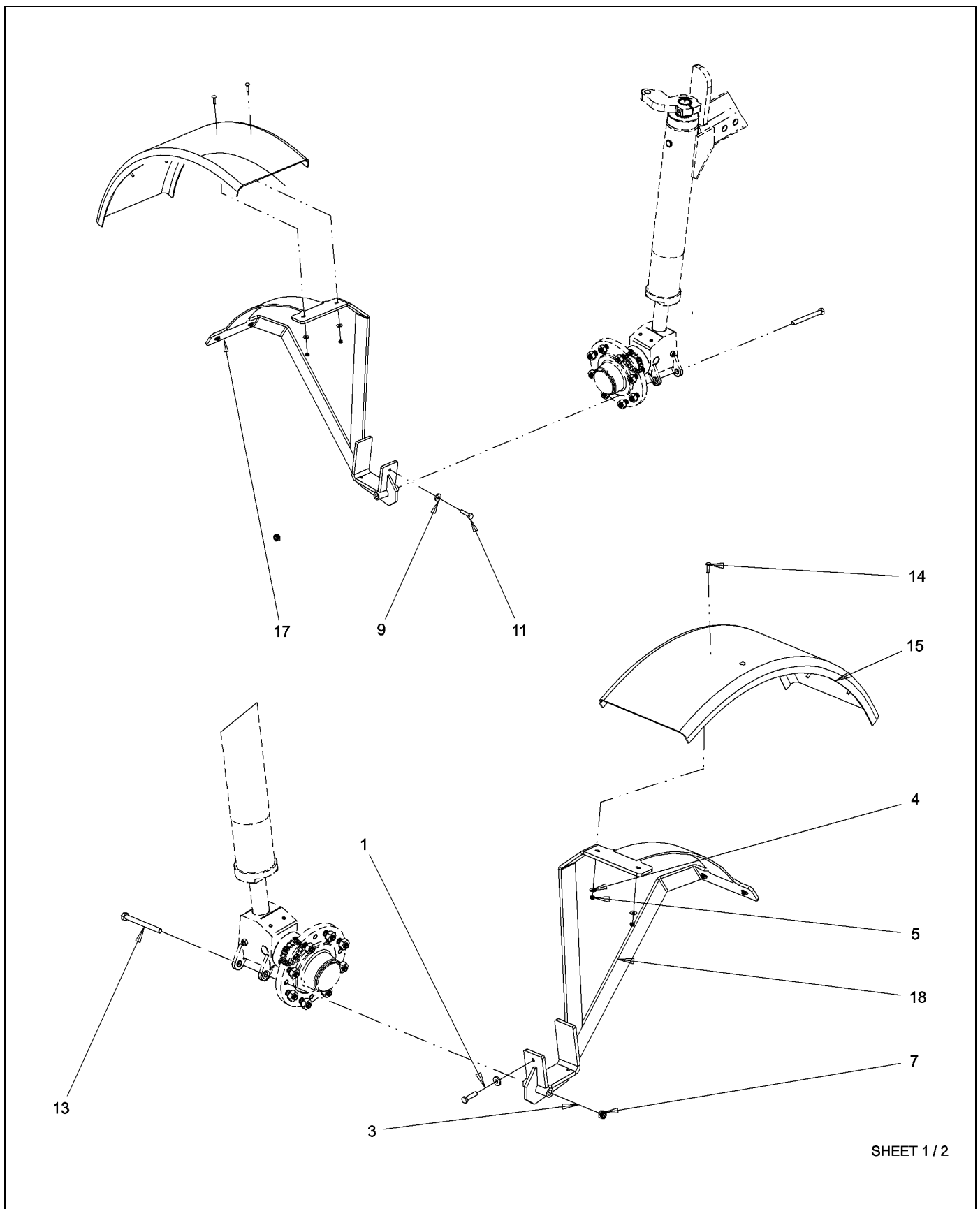
# COUPLING INSTL-QUICK,TANK,SC4X50

ITEM	PART #	QTY	DESCRIPTION	COMMENTS
1	AG000814	1	ADAPTER-CAMLOCK 2.00MNPT,FE	
2	AG000826	1	CAP-CAMLOCK 2.00,MA	

FENDER INSTL-SC,LOW MODEL	2-1
FENDER INSTL-SC,LOW MODEL	2-2
FENDER INSTL-SC,HIGH MODEL	2-3
FENDER INSTL-SC,HIGH MODEL	2-4
REFLECTOR INSTL-ORANGE,SC	2-5
SIGN INSTL-LONG LOAD,FRONT,SC	2-6
SIGN ASM-LONG LOAD,FOLDING,LH	2-7
SIGN ASM-LONG LOAD,FOLDING,RH	2-8
SIGN INSTL-LONG LOAD,REAR,SC	2-9
SIGN ASM-LONG LOAD,LH REAR	2-10
SIGN ASM-LONG LOAD,RH REAR	2-11
SIGN INSTL-SLOW TRAFFIC,SC	2-12
PLATE INSTL-SERIAL NO,NL	2-13
PLATE INSTL-SERIAL NO,CHALLENGER,FR	2-14
RAVEN CONTROLLER INSTL-FRANCE	2-15
5TH GEAR BLOCK	2-16
SWITCH INSTL-HYD ENABLE	2-17
HEATER-INSTL,SC4X55	2-18
VIZER INSTL-SUN,SC	2-19
WEDGE INSTL-WHEEL,SC3/4X50	2-20
SIGN INSTL-LONG,LOAD,REAR,SC4X5X	2-21
PLATE INSTL-LICENSE,SC4X55	2-22
PLATE ASM-LICENSE,SC4X55	2-23
SIGN INSTL-LONG LOAD,FRONT,SC	2-24
SIGN ASM-LONG LOAD,423X423,LH	2-25
SIGN ASM-LONG LOAD,423X423,RH	2-26



# FENDER INSTL-SC,LOW MODEL



SHEET 1 / 2

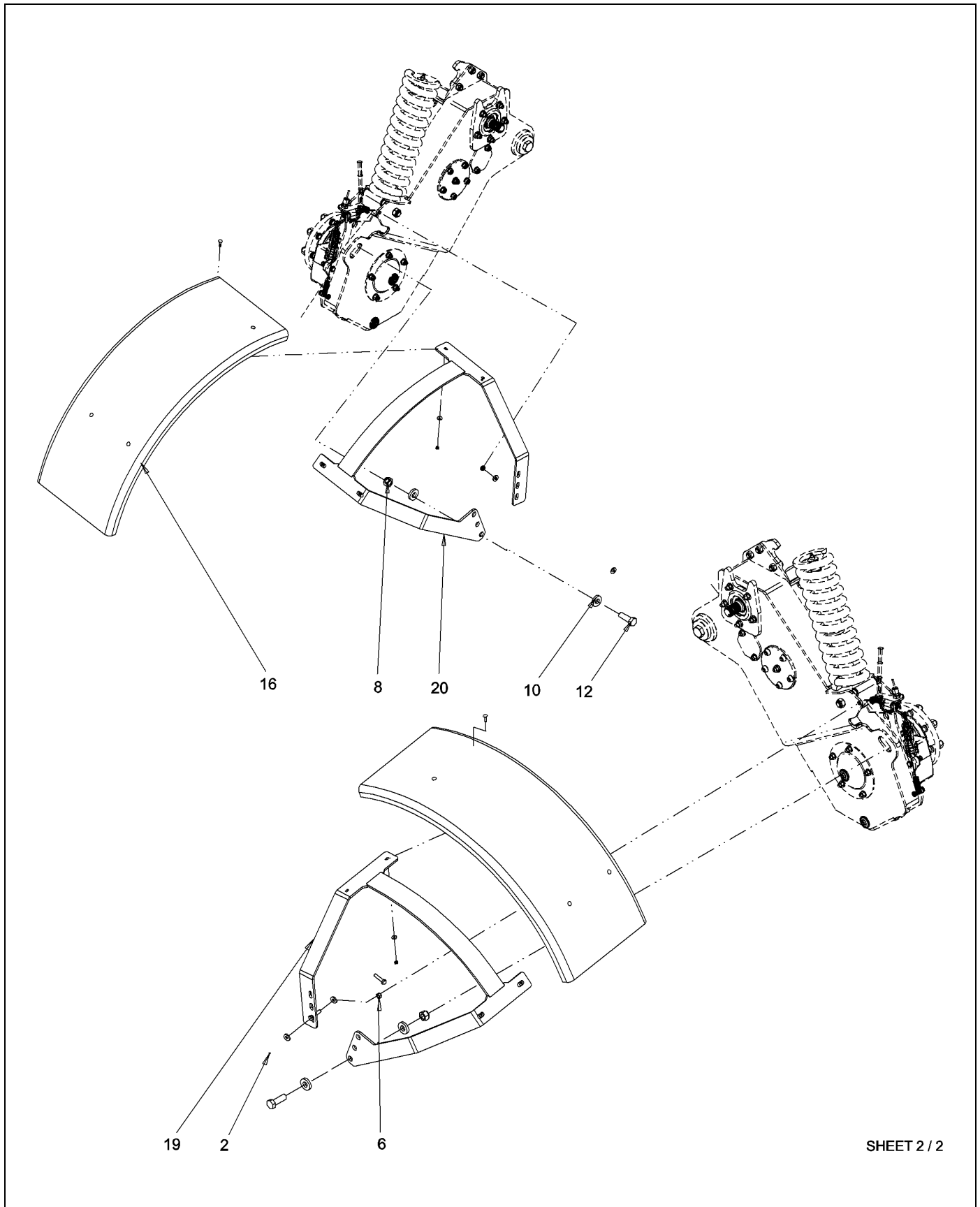
611396-B-01.TIF



# FENDER INSTL-SC,LOW MODEL

ITEM	PART #	QTY	DESCRIPTION	COMMENTS
1	WR50838	2	NUT-HEX,METRIC M10-1.5	
3	AG562790	4	WASHER-FL,M12,GEN PUR ZN	
4	E100024	16	WASHER-M6,,,ISO7093	
5	E100036	16	NUT-M6,8,,,DIN985	
7	E100039	2	NUT-M12,8,,,ISO7040	
9	E100071	6	WASHER-M10X25X4.0,,,DIN7349	
11	E100133	2	BOLT-M10X40,8.8,,,ISO4017	
13	E100298	2	BOLT-M12X130,8.8,,,ISO4014	
14	E105392	16	BOLT-M6X25,4.6,,,ISO8677	
15	E551423	2	FENDER-POLY,310X660X1070X45MM	
17	E558780	1	BRACKET WLDMT-FENDER,RH FR	
18	E558781	1	BRACKET WLDMT-FENDER,LH FR	

# FENDER INSTL-SC,LOW MODEL



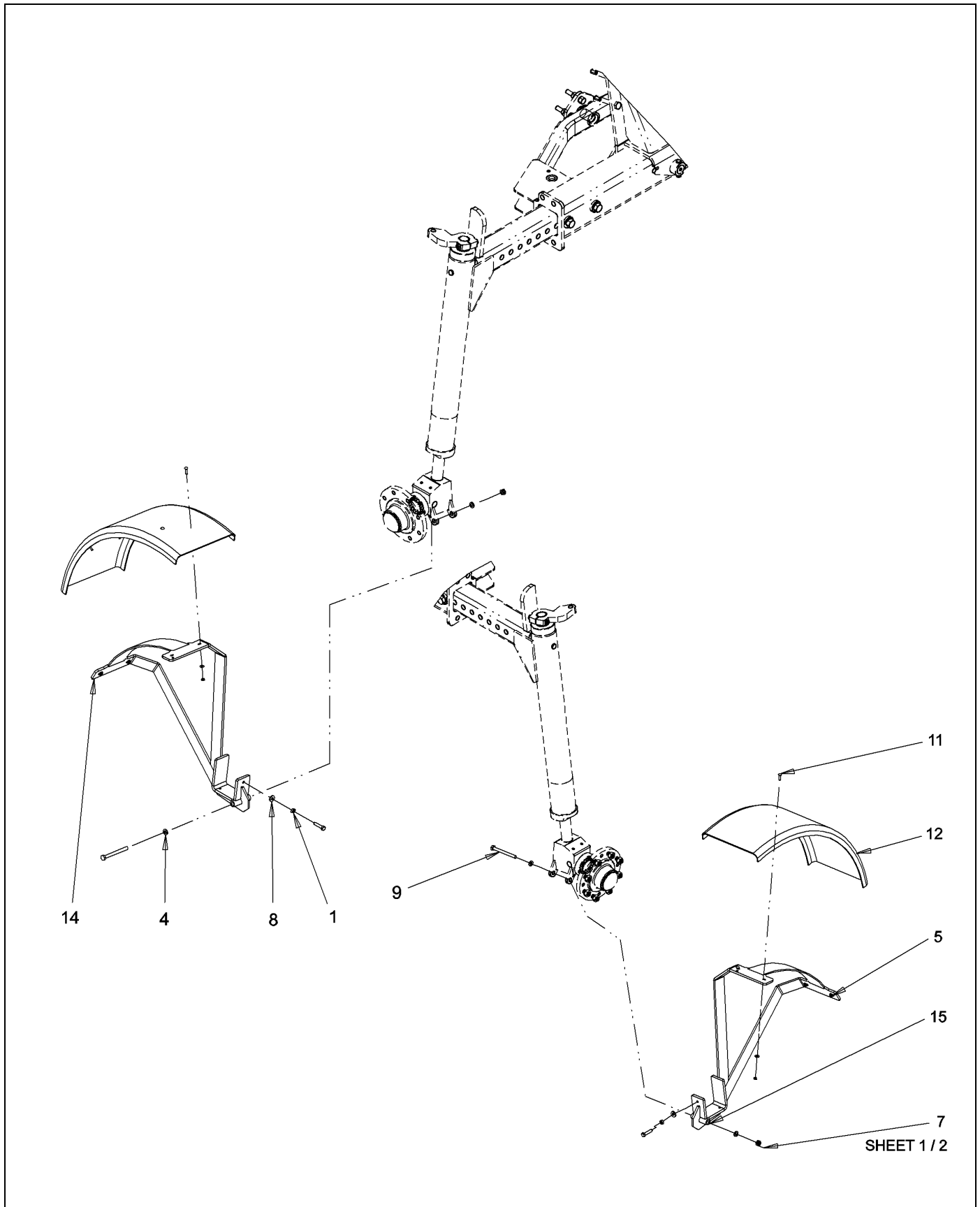
SHEET 2 / 2

611396-B-02.TIF

## FENDER INSTL-SC,LOW MODEL

ITEM	PART #	QTY	DESCRIPTION	COMMENTS
2	WR55048	2	SCREW-CAP HEX M10x45	
6	E100038	2	NUT-M10,8,,,ISO7040	
8	E100043	2	NUT-M20,8,,,ISO7040	
10	E100076	4	WASHER-M20X44X8.0,,,DIN7349	
12	E100193	2	BOLT-M20X60,8.8,,,ISO4017	
16	E551501	2	FENDER-POLY,420X725X1325X45MM	
19	E558782	1	BRACKET WLDMT-FNDR,LOW RH REAR	
20	E558783	1	BRACKET WLDMT-FNDR,LOW LH REARR	

# FENDER INSTL-SC,HIGH MODEL

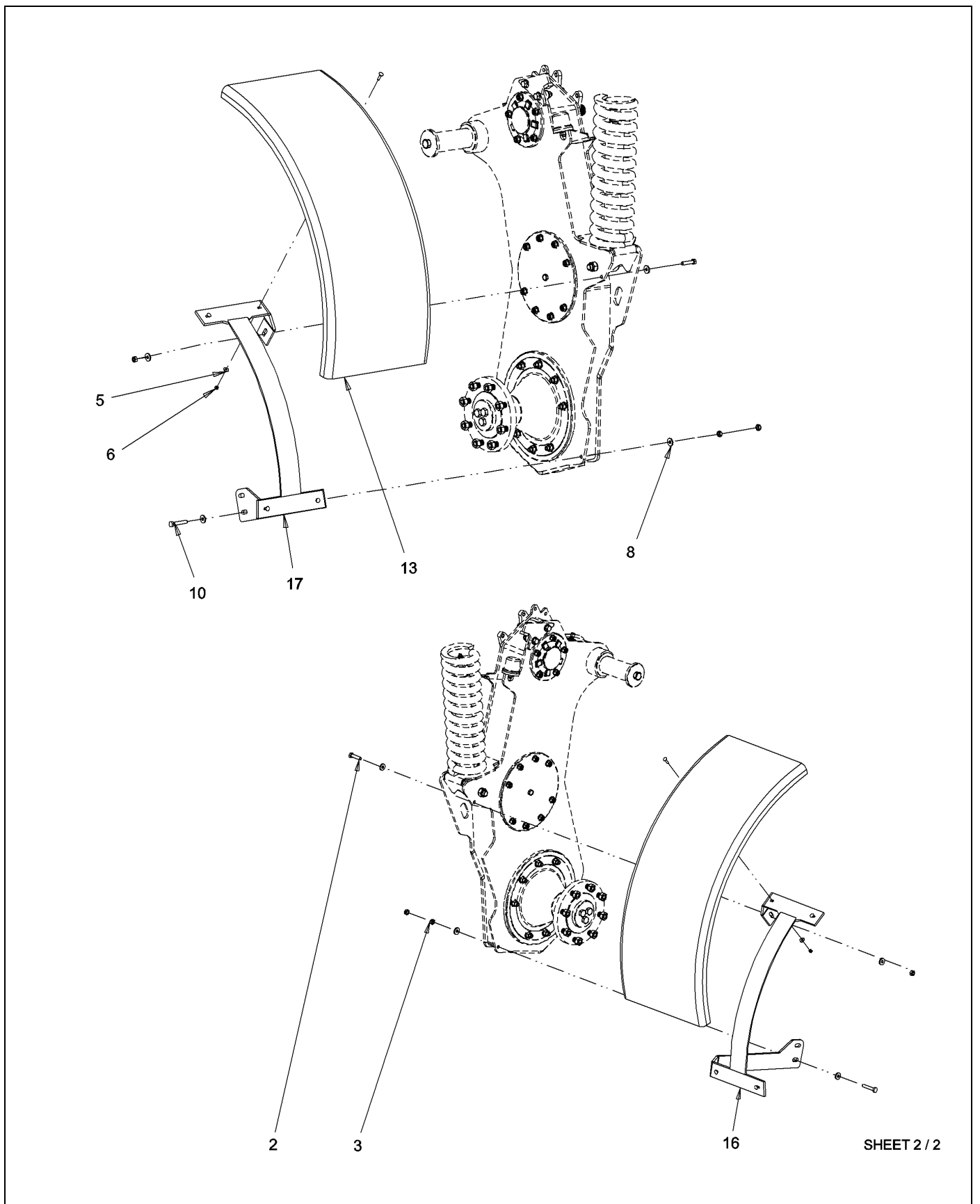


611343-B-01.TIF

## FENDER INSTL-SC,HIGH MODEL

ITEM	PART #	QTY	DESCRIPTION	COMMENTS
1	WR50838	2	NUT-HEX,METRIC M10-1.5	
4	AG562790	4	WASHER-FL,M12,GEN PUR ZN	
5	E100024	16	WASHER-M6,,,ISO7093	
7	E100039	2	NUT-M12,8,,,ISO7040	
8	E100071	10	WASHER-M10X25X4.0,,,DIN7349	
9	E100298	2	BOLT-M12X130,8.8,,,ISO4014	
11	E105392	16	BOLT-M6X25,4.6,,,ISO8677	
12	E551423	2	FENDER-POLY,310X660X1070X45MM	
14	E558780	1	BRACKET WLDMT-FENDER,RH FR	
15	E558781	1	BRACKET WLDMT-FENDER,LH FR	

# FENDER INSTL-SC,HIGH MODEL

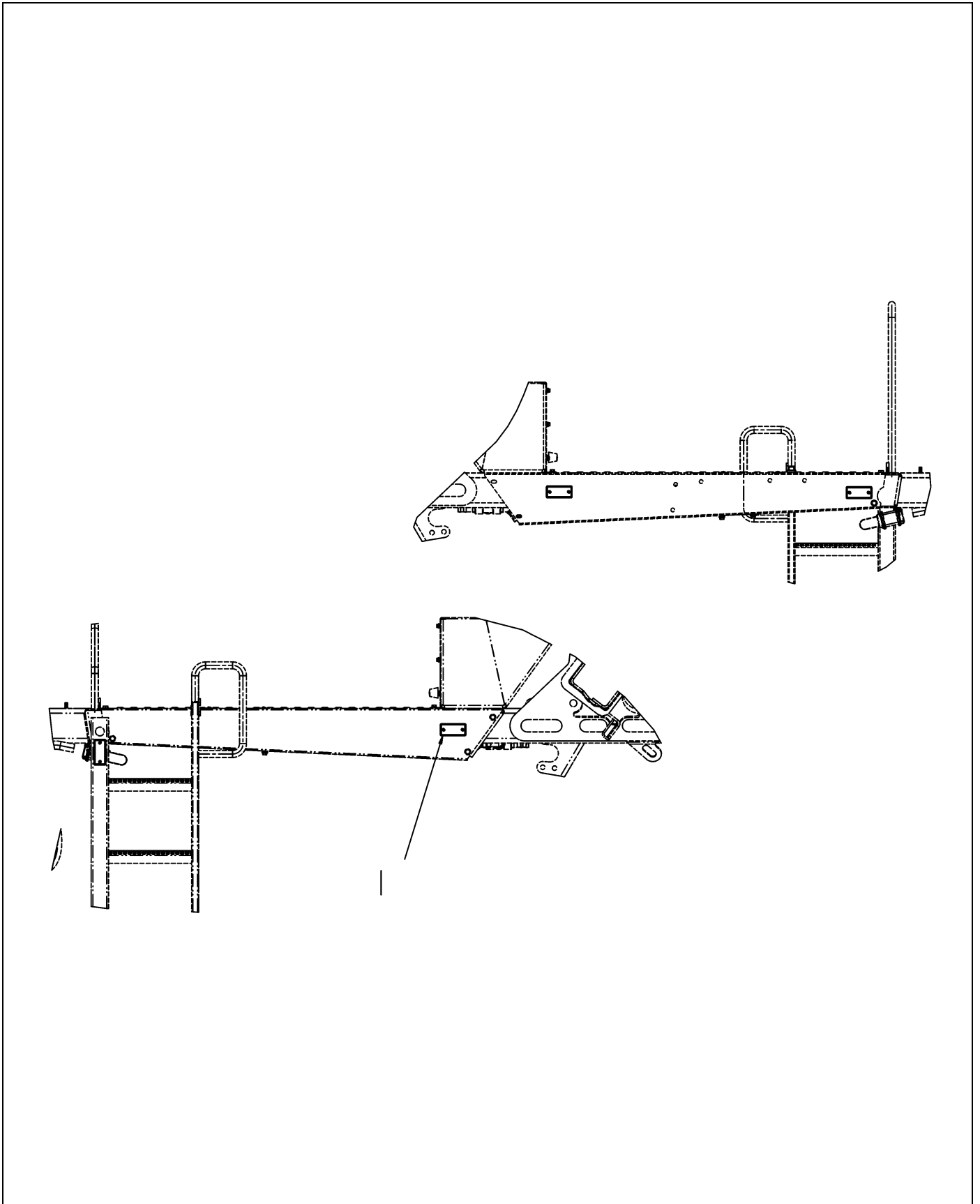


SHEET 2 / 2

611343-B-02.TIF

# FENDER INSTL-SC,HIGH MODEL

ITEM	PART #	QTY	DESCRIPTION	COMMENTS
2	WR55048	4	SCREW-CAP HEX M10x45	
3	AG520875	4	NUT-M10X1.5,H,SS,NYLON INSERT	
5	E100024	16	WASHER-M6,,,ISO7093	
6	E100036	16	NUT-M6,8,,,DIN985	
8	E100071	10	WASHER-M10X25X4.0,,,DIN7349	
10	E101494	2	BOLT-M10X60,,,SS,ISO4017	
13	E551501	2	FENDER-POLY,420X725X1325X45MM	
16	E558941	1	BRACKET WLDMT-FENDR,HI RH REAR	
17	E558942	1	BRACKET WLDMT-FNDR,LOW LH REAR	

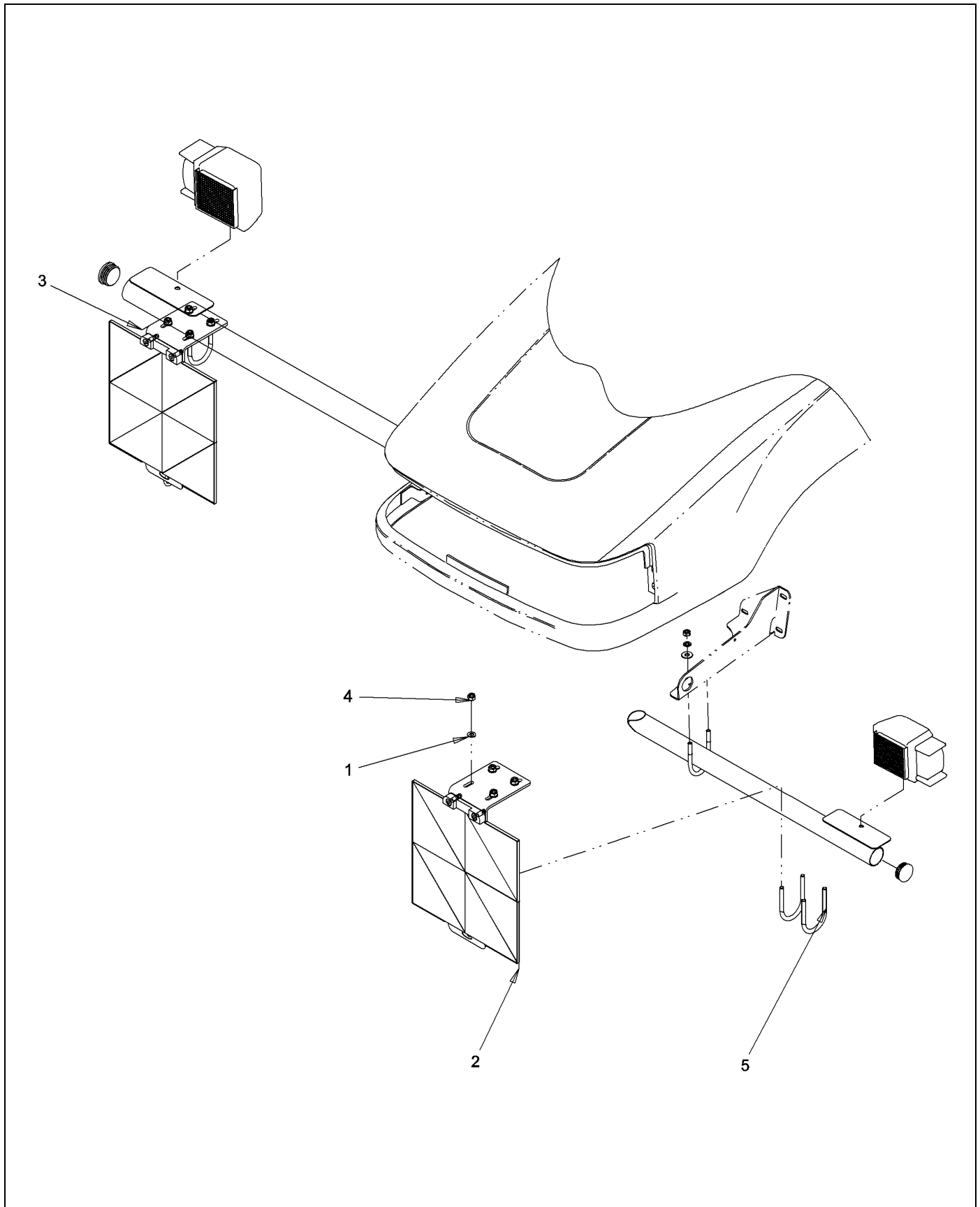


612986-A-P271-1.TIF



# REFLECTOR INSTL-ORANGE,SC

ITEM	PART #	QTY	DESCRIPTION	COMMENTS
1	E400007	4	REFLECTOR-RECTANGLE,ORANGE	

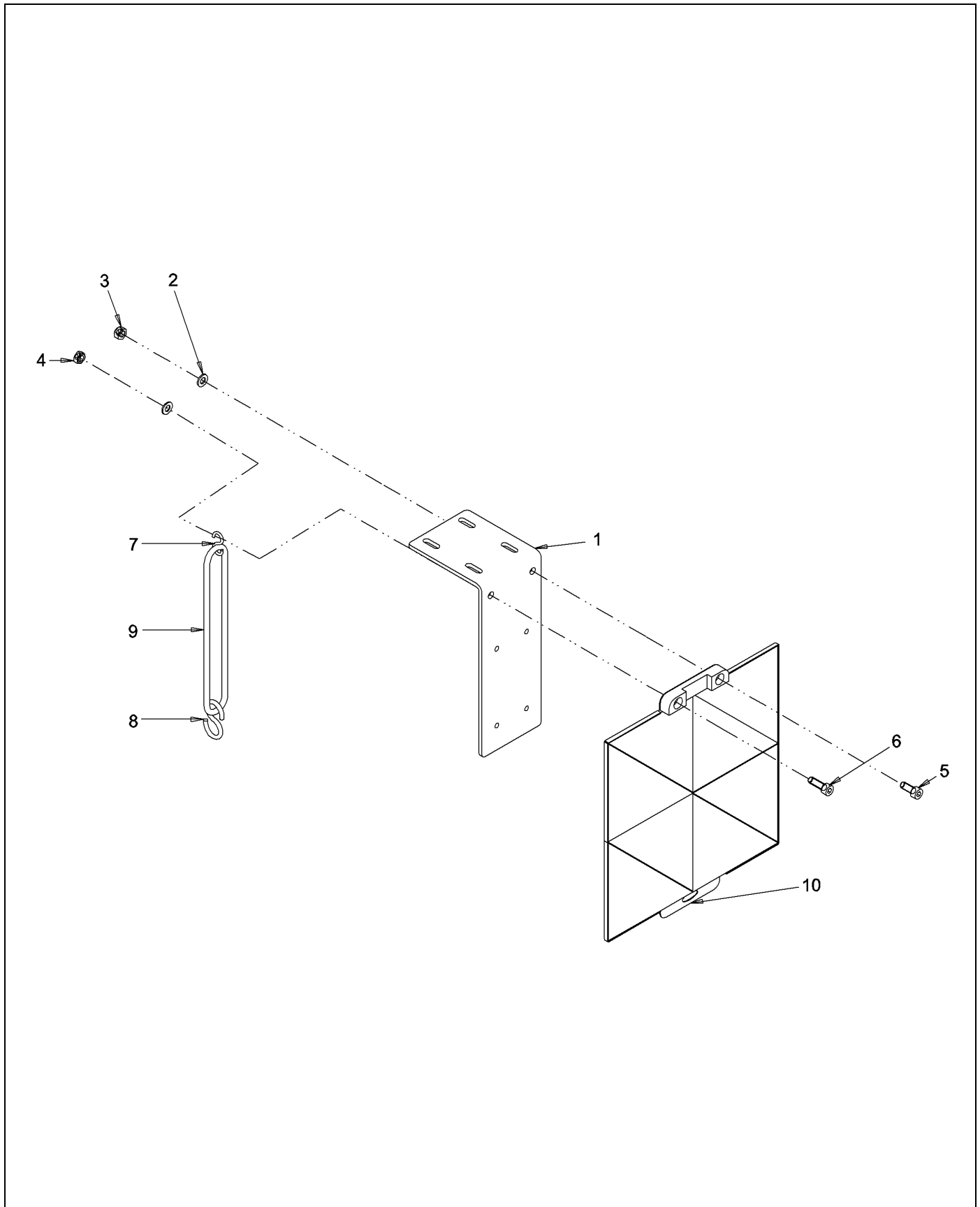


622743-A-01.TIF

# SIGN INSTL-LONG LOAD,FRONT,SC

ITEM	PART #	QTY	DESCRIPTION	COMMENTS
1	AG520880	8	WASHER-M8,,ISO70899	
2	AG622746	1	SIGN ASM-LONG LOAD,FOLDING,LH	SEE PAGE 2-7
3	AG622747	1	SIGN ASM-LONG LOAD,FOLDING,RH	SEE PAGE 2-8
4	CH131-3540	8	NUT-M8X1.25,,ISO7040	
5	E130546	4	BOLT-U,M8X85X57X40,GALV	

# SIGN ASM-LONG LOAD,FOLDING,LH

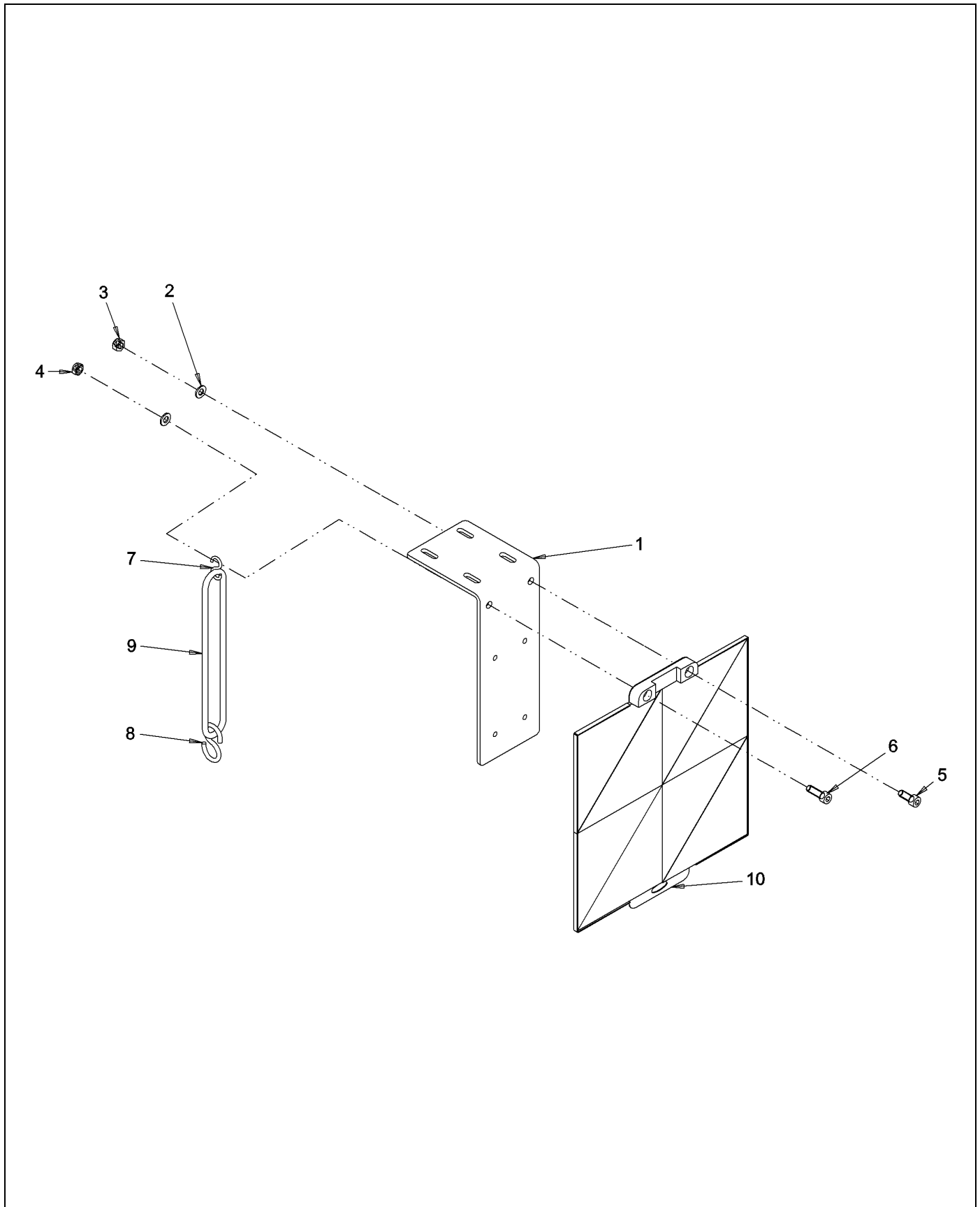


622746-A-01.TIF

# SIGN ASM-LONG LOAD,FOLDING,LH

ITEM	PART #	QTY	DESCRIPTION	COMMENTS
1	AG621217	1	BRACKET-MTG,LL SIGN,SC4X55	
2	E100013	2	WASHER-M8,,ISO7089	
3	E100037	1	NUT-M8,8,,ISO7040	
4	E100049	1	NUT-M8,8,,ISO4032	
5	E100955	1	BOLT-M8X20,12.9,,ISO4762	
6	E100956	1	BOLT-M8X25,12.9,,ISO4762	
7	E130170	1	HOOK-S,NR30	
8	E130173	1	HOOK-S,NR50	
9	E130500	1	RUBBER-COVER,250MM	
10	E720790	1	SIGN-LONG LOAD,FOLDING,LH	

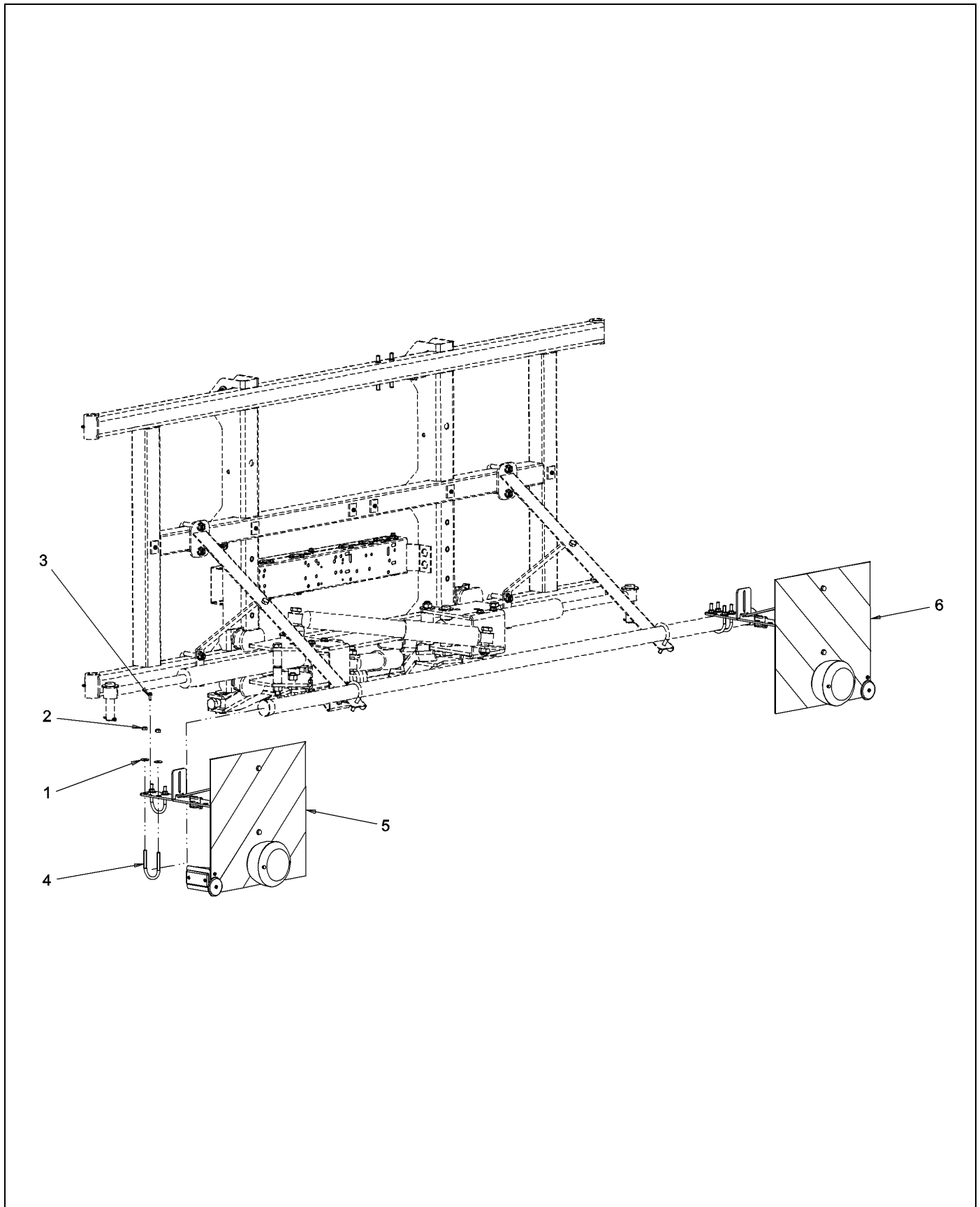
# SIGN ASM-LONG LOAD,FOLDING,RH



622747-A-01.TIF

# SIGN ASM-LONG LOAD,FOLDING,RH

ITEM	PART #	QTY	DESCRIPTION	COMMENTS
1	AG621217	1	BRACKET-MTG,LL SIGN,SC4X55	
2	E100013	2	WASHER-M8,,ISO7089	
3	E100037	1	NUT-M8,8,,ISO7040	
4	E100049	1	NUT-M8,8,,ISO4032	
5	E100955	1	BOLT-M8X20,12.9,,ISO4762	
6	E100956	1	BOLT-M8X25,12.9,,ISO4762	
7	E130170	1	HOOK-S,NR30	
8	E130173	1	HOOK-S,NR50	
9	E130500	1	RUBBER-COVER,250MM	
10	E720791	1	SIGN-LONG LOAD,FOLDING,RH	



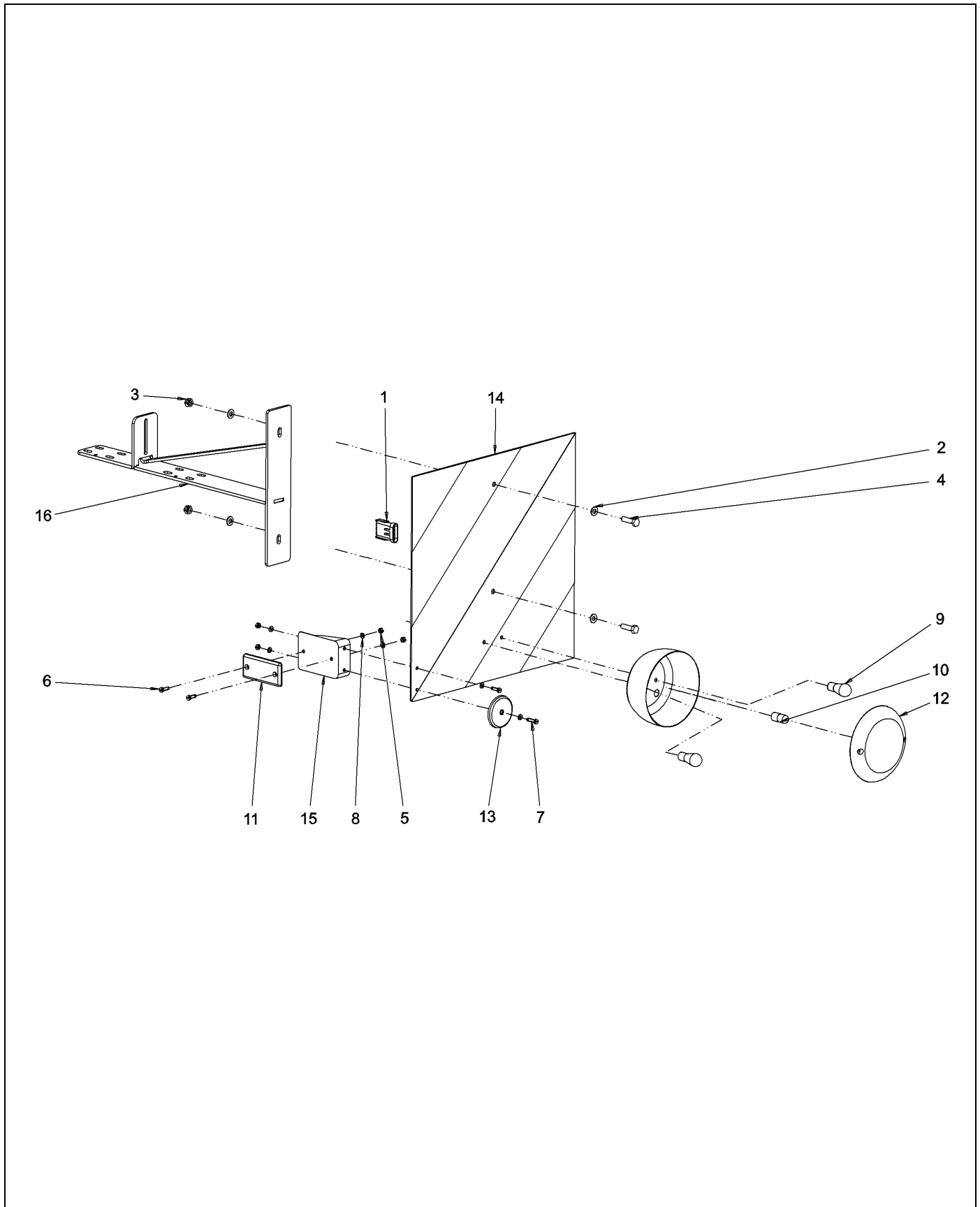
611791-B-01.TIF



# SIGN INSTL-LONG LOAD,REAR,SC

ITEM	PART #	QTY	DESCRIPTION	COMMENTS
1	E102068	8	WASHER-M8,SS,ISO7093	
2	E105163	8	NUT-M8,,SS,ISO7040	
3	E105201	2	BOLT-M5X16,8.8,,DIN7500	
4	E130546	4	BOLT-U,M8X85X57X40,GALV	
5	E402201	1	SIGN ASM-LONG LOAD,LH REAR	SEE PAGE 2-10
6	E402202	1	SIGN ASM-LONG LOAD,RH REAR	SEE PAGE 2-11

# SIGN ASM-LONG LOAD,LH REAR

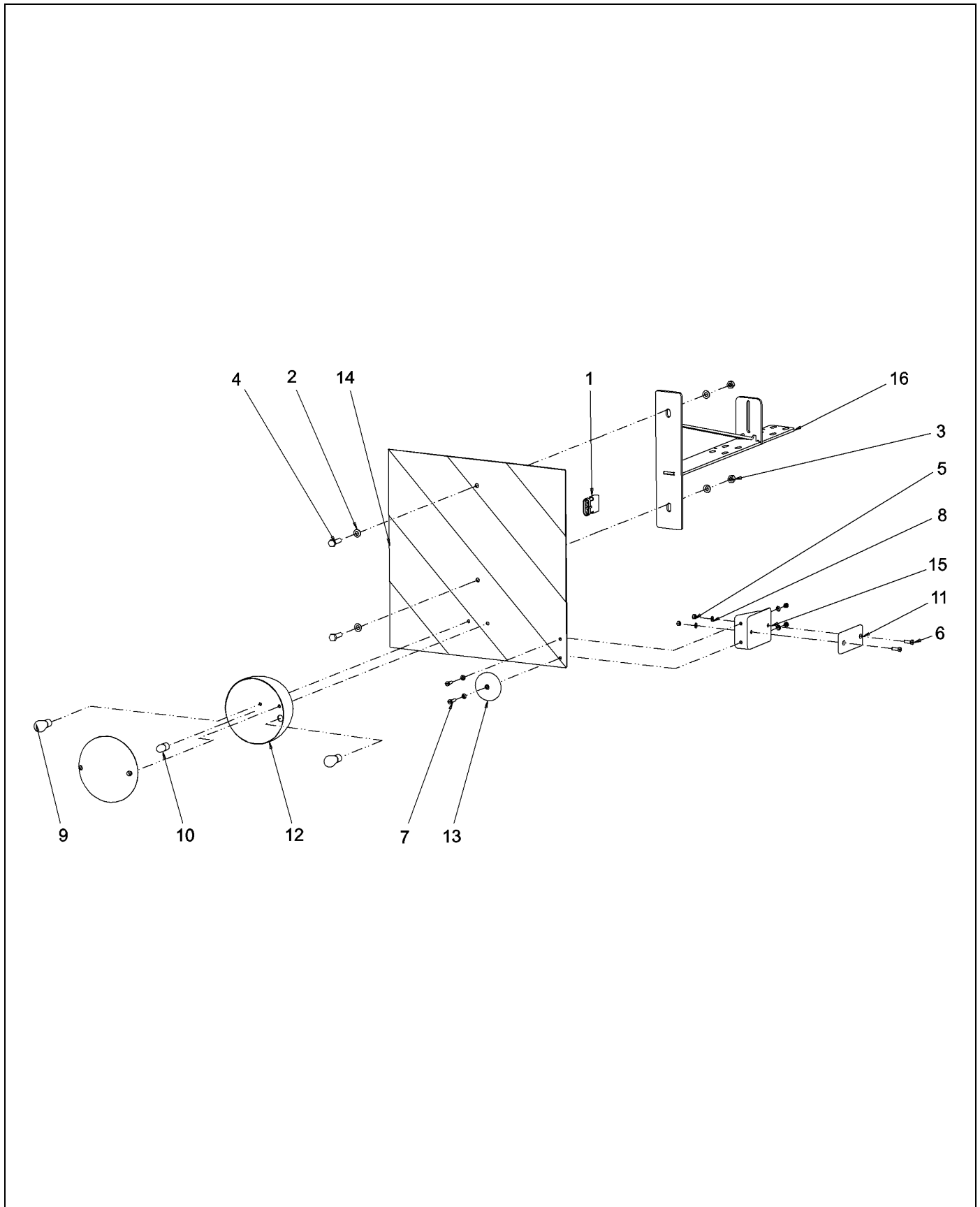


E402201-B-01.TIF

## SIGN ASM-LONG LOAD,LH REAR

ITEM	PART #	QTY	DESCRIPTION	COMMENTS
1	AG611170	1	HARNES-LTG, LONG LOAD SIGN	
2	E100013	4	WASHER-M8,,ISO7089	
3	E100037	2	NUT-M8,8,,ISO7040	
4	E100119	2	BOLT-M8X30,8.8,,ISO4017	
5	E105161	4	NUT-M5,,SS,ISO7040	
6	E105200	3	BOLT-M5X16,,SS,ISO1207	
7	E105202	1	BOLT-M5X20,,SS,ISO1207	
8	E105315	6	WASHER-M5,SS,ISO7089	
9	E400002	2	LIGHT BULB-12V,21W	
10	E400003	1	LIGHT BULB-12V,5W	
11	E400007	1	REFLECTOR-RECTANGLE,ORANGE	
12	E400012	1	TAILLIGHT-ROUND	
13	E400035	1	REFLECTOR-ROUND,60MM,RED	
14	E400055	1	SIGN-LONG LOAD,423x423	
15	E400414	1	BRACKET-RECT REFLECTOR	
16	E558792	1	BRACKET WLDMT-LONG LOAD SIGN	

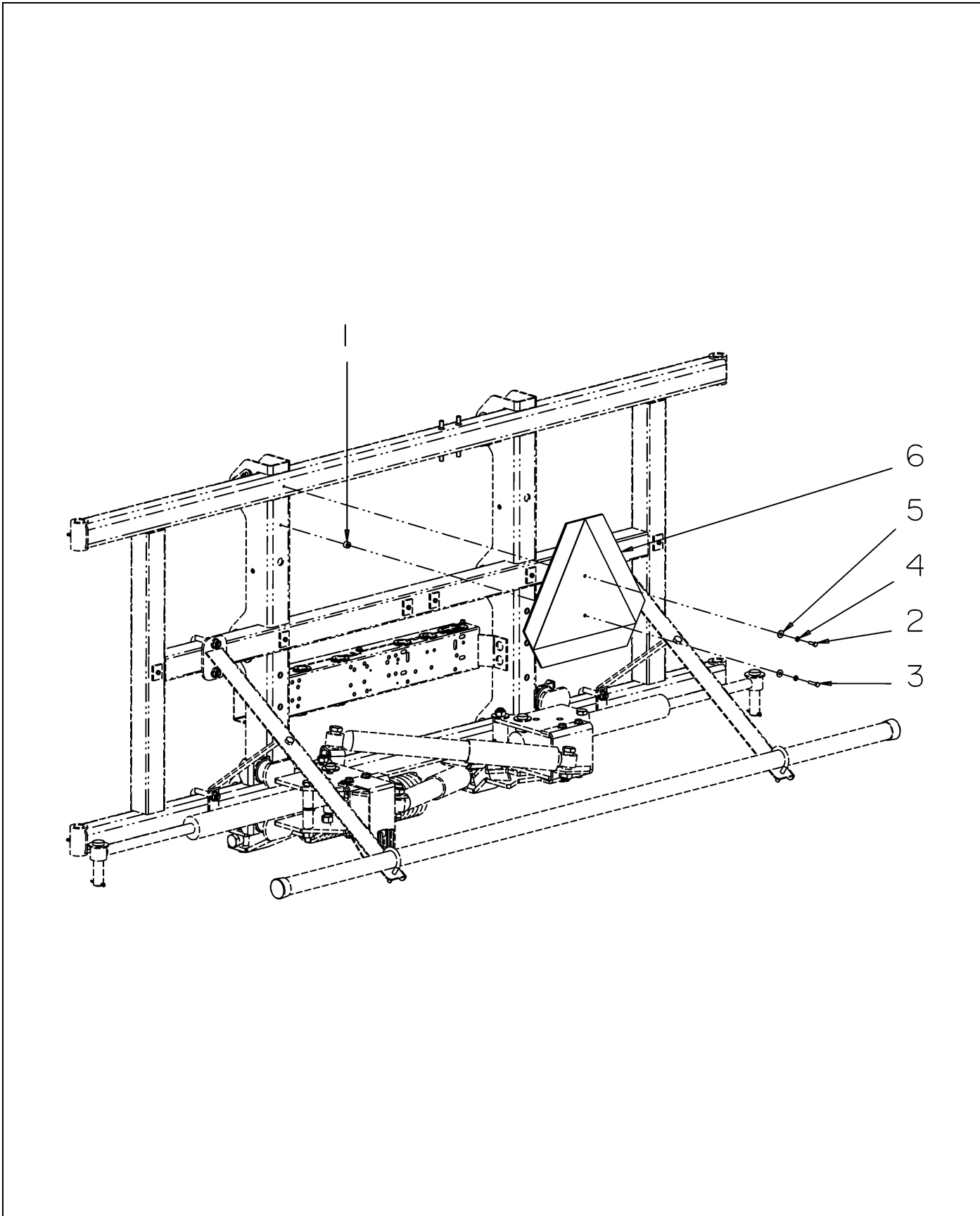
# SIGN ASM-LONG LOAD,RH REAR



E402202-A-01.TIF

## SIGN ASM-LONG LOAD,RH REAR

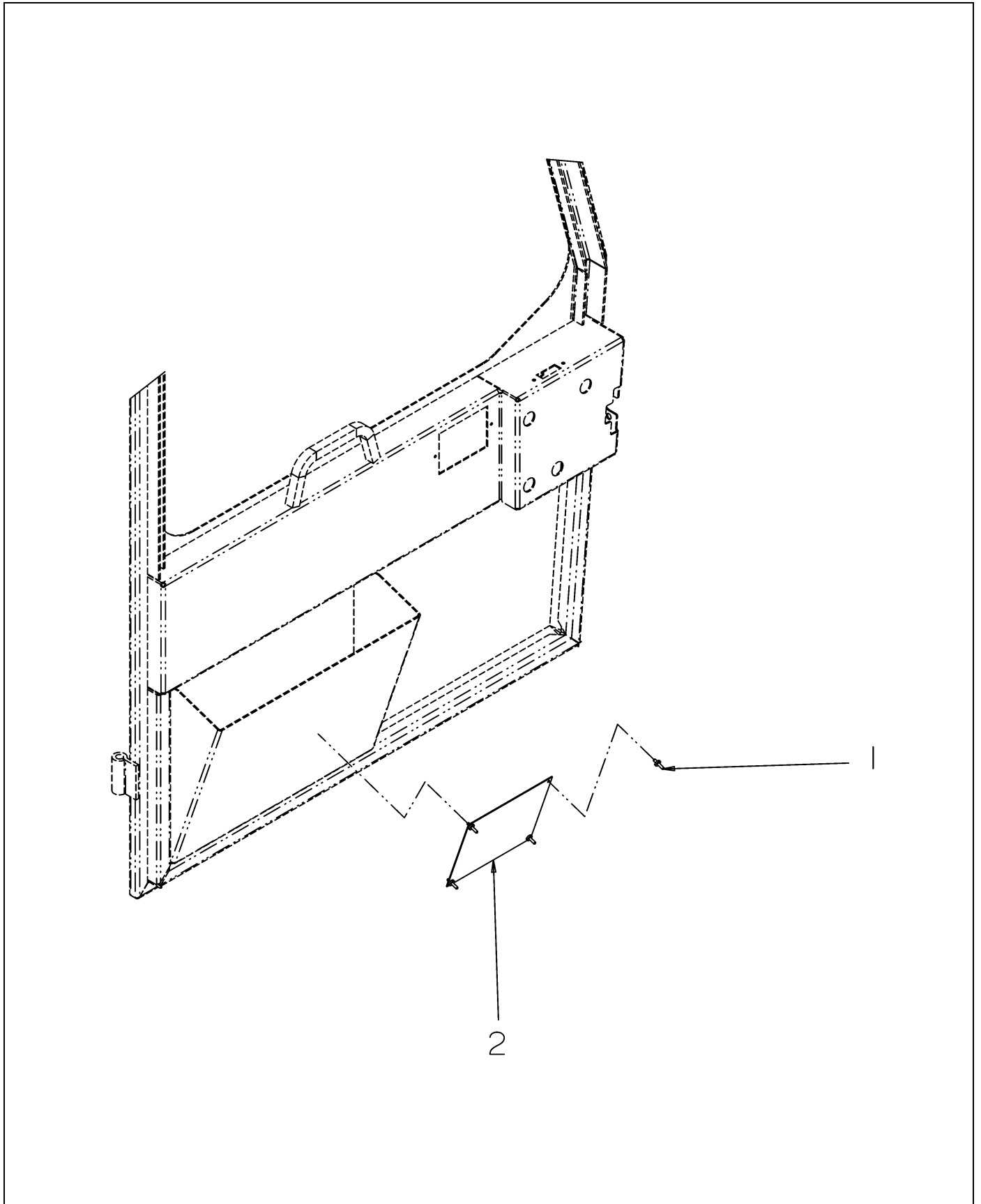
ITEM	PART #	QTY	DESCRIPTION	COMMENTS
1	AG611170	1	HARNES-LTG, LONG LOAD SIGN	
2	E100013	4	WASHER-M8,,ISO7089	
3	E100037	2	NUT-M8,8,,ISO7040	
4	E100119	2	BOLT-M8X30,8.8,,ISO4017	
5	E105161	4	NUT-M5,,SS,ISO7040	
6	E105200	3	BOLT-M5X16,,SS,ISO1207	
7	E105202	1	BOLT-M5X20,,SS,ISO1207	
8	E105315	6	WASHER-M5,SS,ISO7089	
9	E400002	2	LIGHT BULB-12V,21W	
10	E400003	1	LIGHT BULB-12V,5W	
11	E400007	1	REFLECTOR-RECTANGLE,ORANGE	
12	E400012	1	TAILLIGHT-ROUND	
13	E400035	1	REFLECTOR-ROUND,60MM,RED	
14	E400055	1	SIGN-LONG LOAD,423x423	
15	E400414	1	BRACKET-RECT REFLECTOR	
16	E558792	1	BRACKET WLDMT-LONG LOAD SIGN	



611792-A-P271-1.TIF

# SIGN INSTL-SLOW TRAFFIC,SC

ITEM	PART #	QTY	DESCRIPTION	COMMENTS
1	AG613735	1	BUSHING-SPACER,6.3ID,10MM	
2	E105004	1	BOLT-M6X20,,SS,ISO4017	
3	E105009	1	BOLT-M6X30,,SS,ISO4017	
4	E105327	2	WASHER-M6,,SS,DIN127B	
5	E105471	2	WASHER-M6X18X1.6,SS,ISO7093	
6	E400086	1	SIGN-SLOW TRAFFIC,PLASTIC	



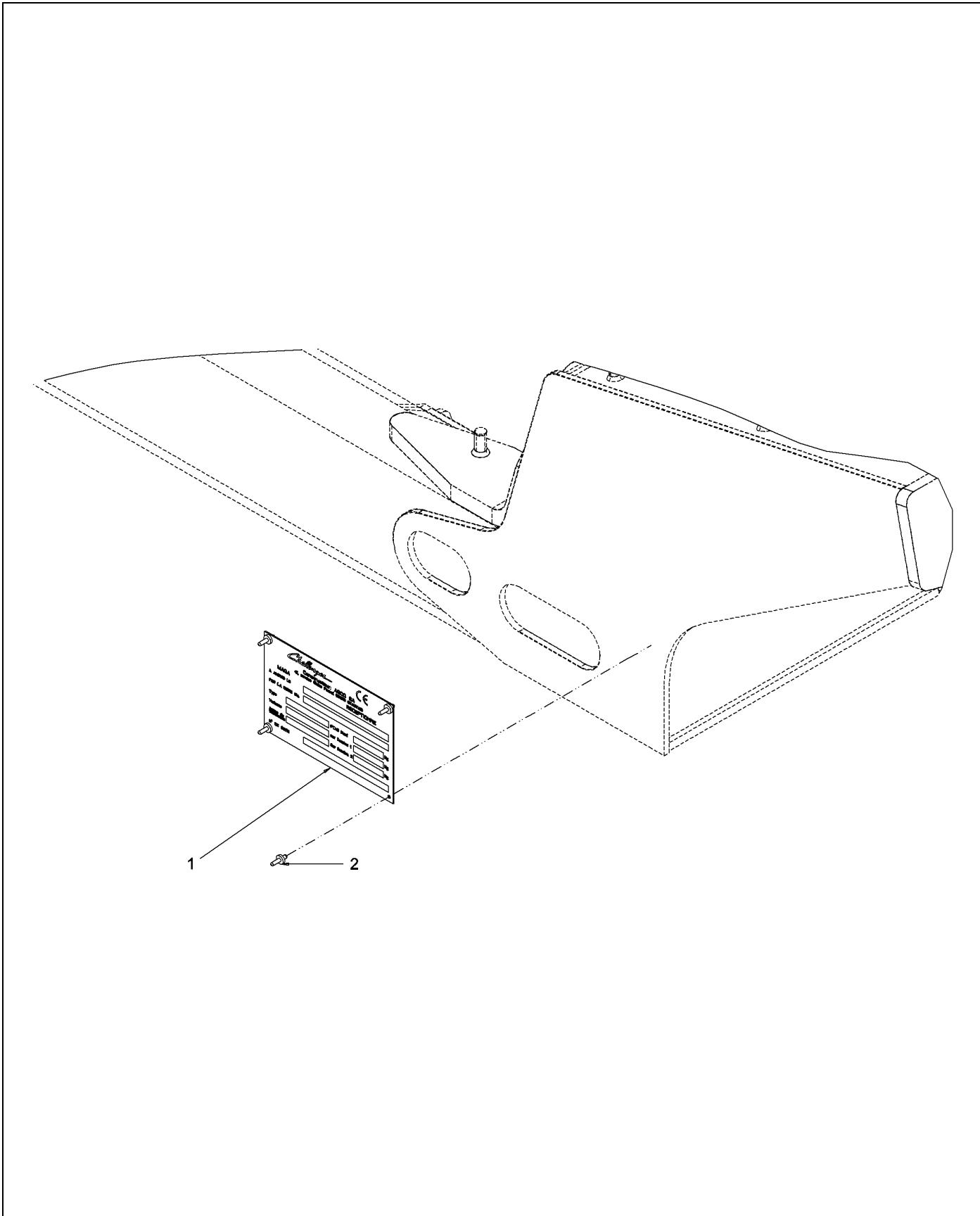
611790-A-P271-1.TIF



# PLATE INSTL-SERIAL NO,NL

ITEM	PART #	QTY	DESCRIPTION	COMMENTS
1	E101922	4	RIVET-POP,3.2X6.0,AL,ISO15977	
2	E770002	1	PLATE-SERIAL NUMBER,CHALLENGER	

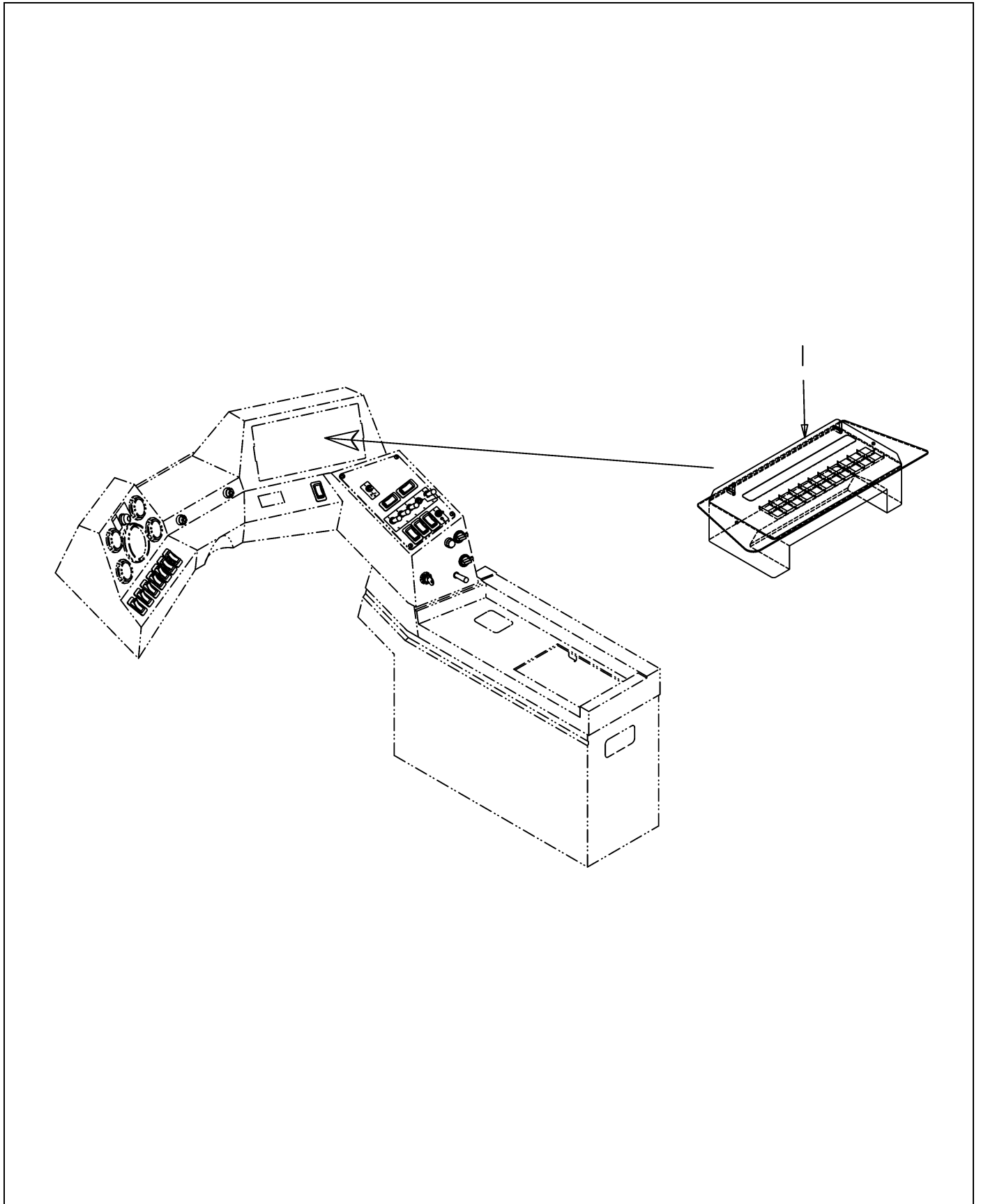
PLATE INSTL-SERIAL NO,CHALLENGER,FR



622118-A-01.TIF

# PLATE INSTL-SERIAL NO,CHALLENGER,FR

ITEM	PART #	QTY	DESCRIPTION	COMMENTS
1	AG622098	1	PLATE-SERIAL NO,FR (CE)	
2	E101922	4	RIVET-POP,3.2X6.0,AL,ISO15977	

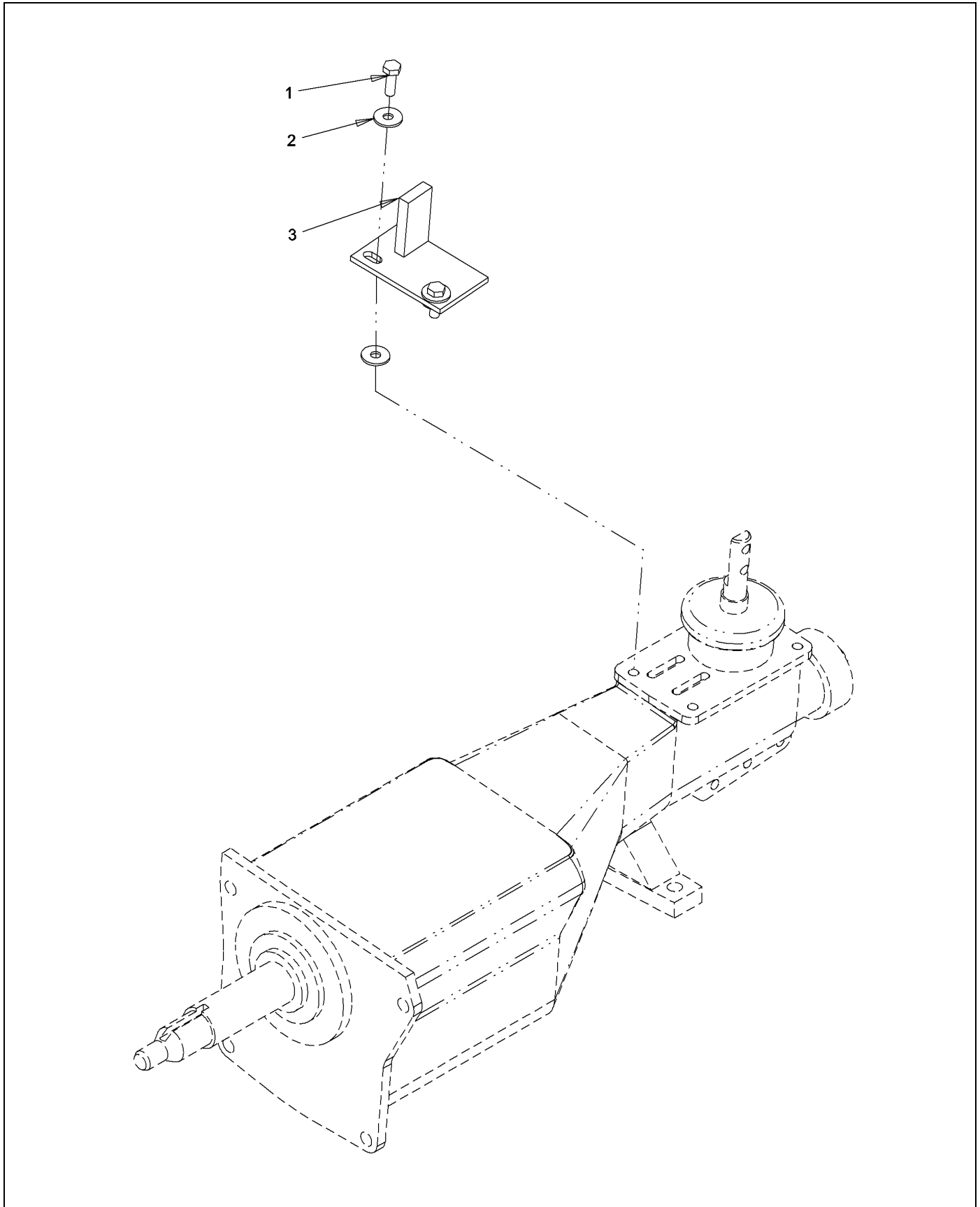


612106-A-P271-1.TIF

# RAVEN CONTROLLER INSTL-FRANCE

ITEM	PART #	QTY	DESCRIPTION	COMMENTS
1	E400226	1	RAVEN CONTROLLER-TYPE460,FR	

# 5TH GEAR BLOCK

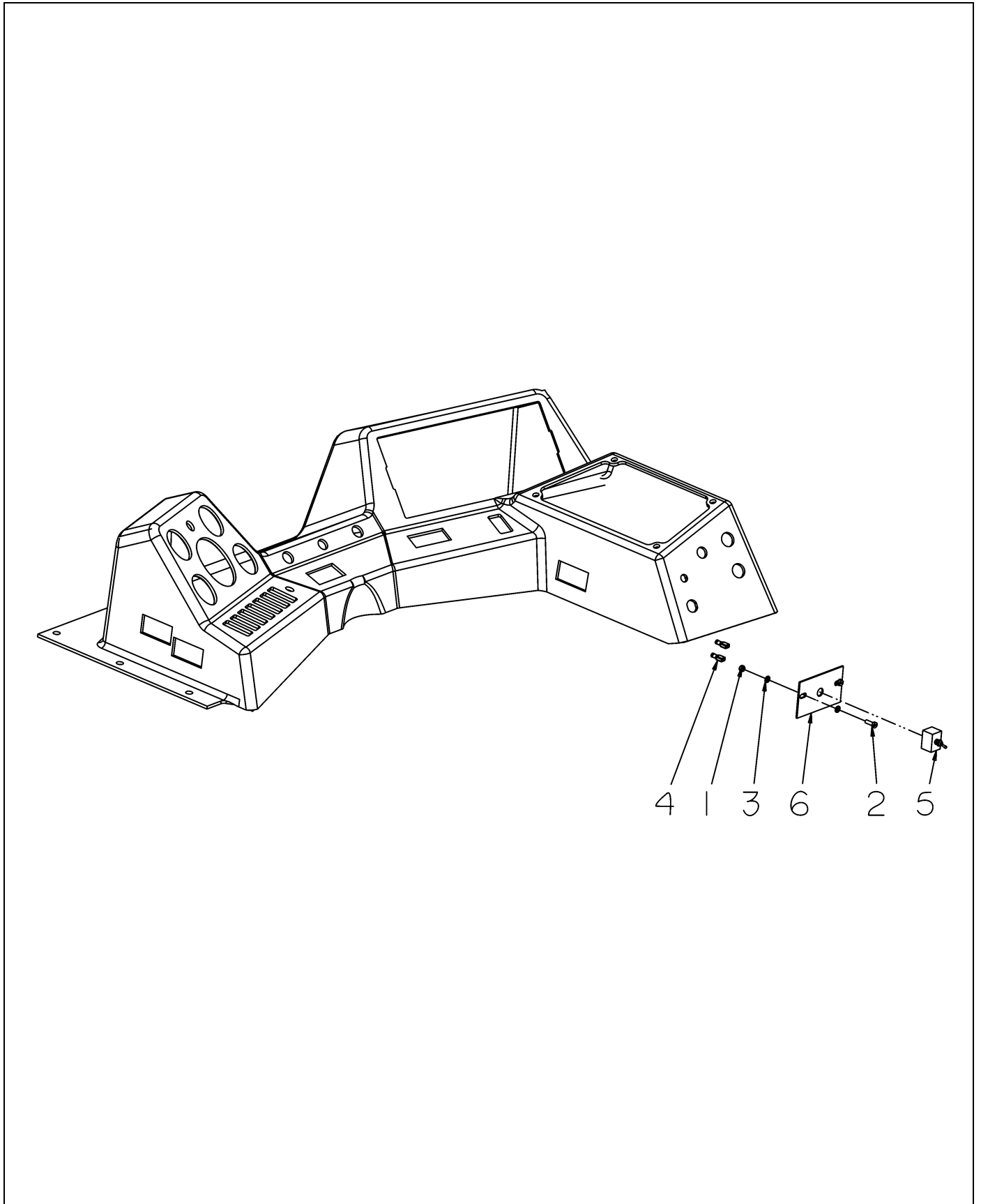


611337-B-01.TIF

## 5TH GEAR BLOCK

ITEM	PART #	QTY	DESCRIPTION	COMMENTS
1	E100118	2	BOLT-M8X25,8.8,,ISO4017	
2	E102068	4	WASHER-M8,SS,ISO7093	
3	E558916	1	BRACKET WLDMT-5TH GEAR BLOCK	

# SWITCH INSTL-HYD ENABLE

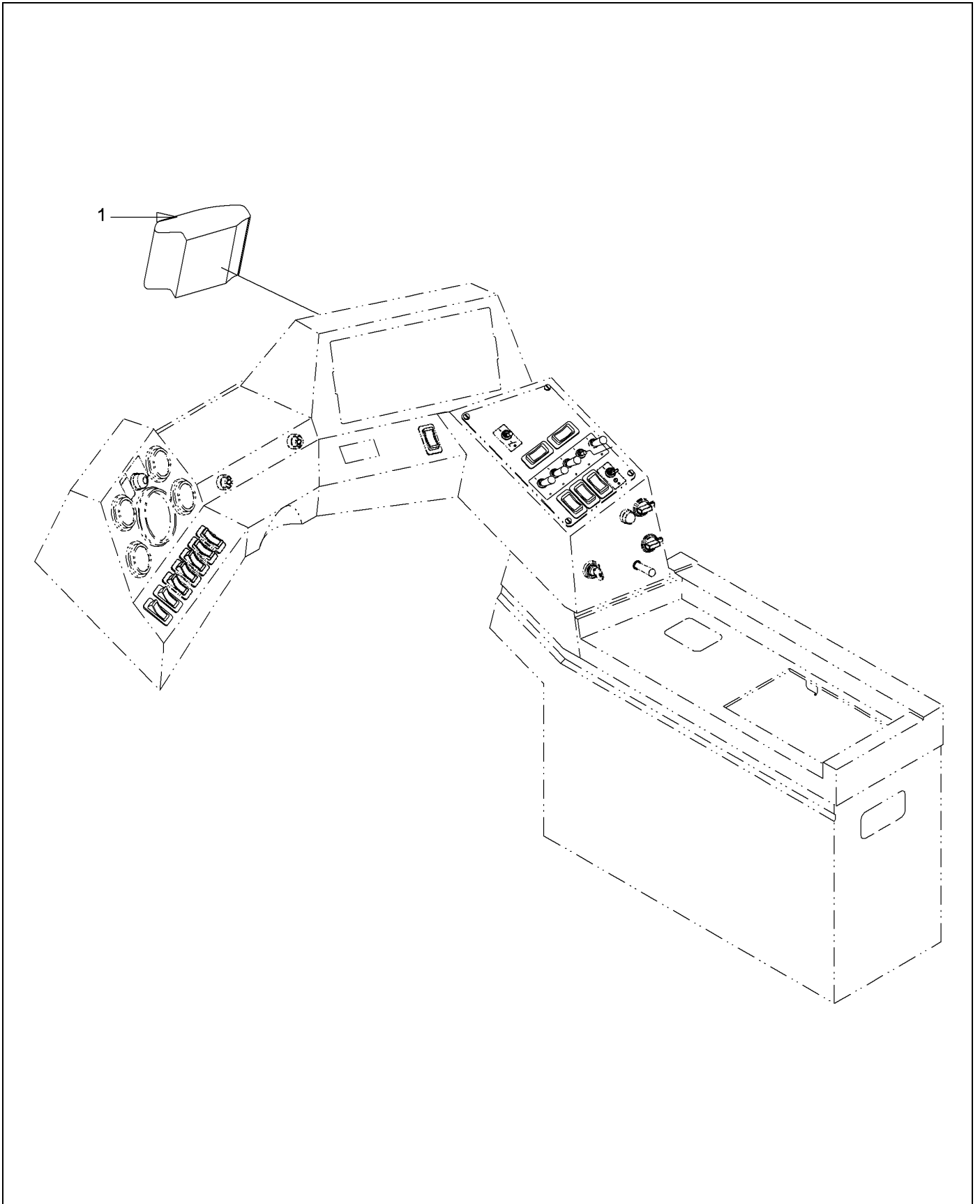


612972-A-P271-1.TIF



## SWITCH INSTL-HYD ENABLE

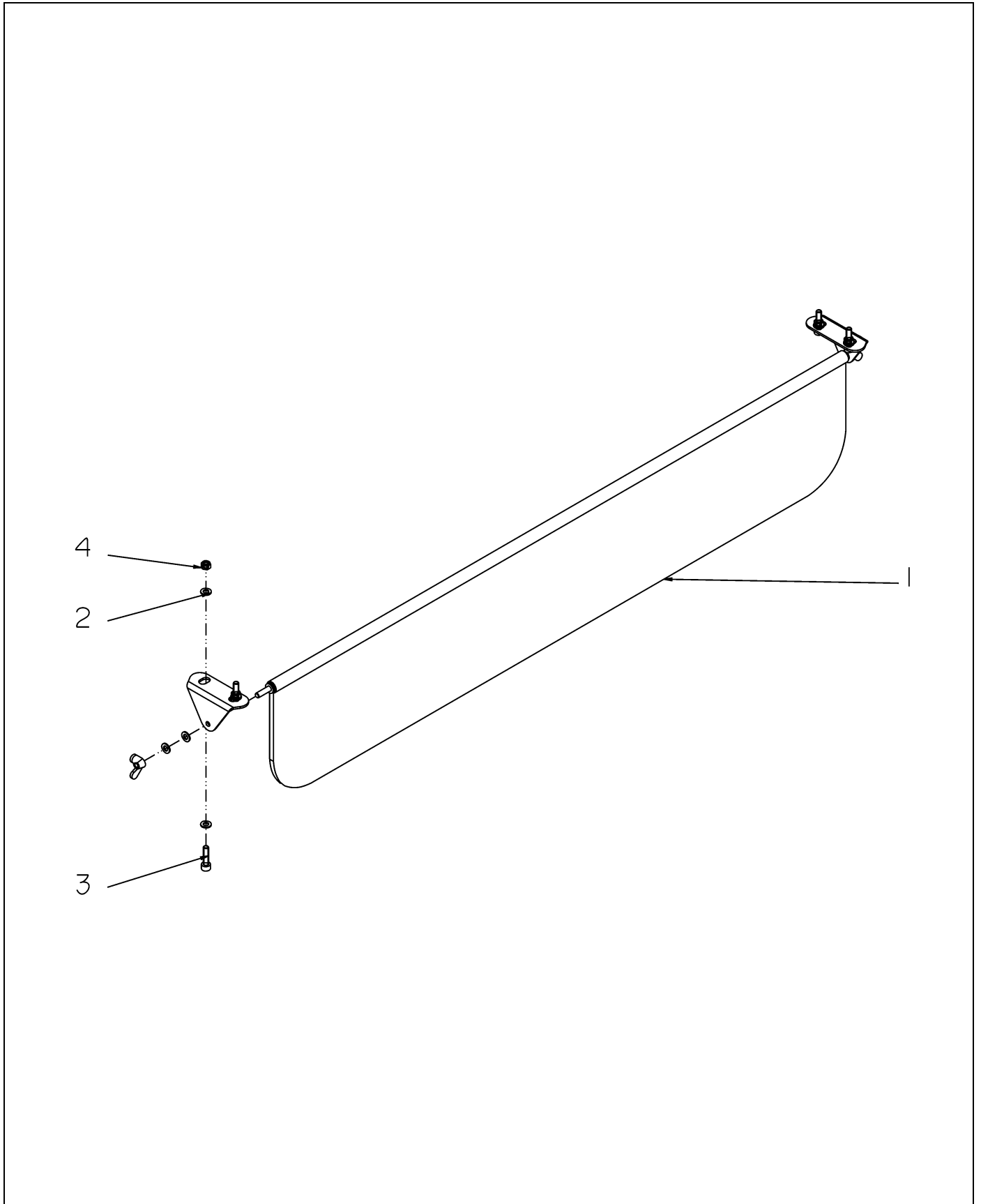
ITEM	PART #	QTY	DESCRIPTION	COMMENTS
1	E105161	2	NUT-M5,,SS,ISO7040	
2	E105200	2	BOLT-M5X16,,SS,ISO1207	
3	E105315	4	WASHER-M5,SS,ISO7089	
4	E400882	2	CABLE END-FLAT,FE,ISLN BLUE	
5	E400954	1	SWITCH-TOGGLE,2POS,2X LOCK	
6	E558822	1	PLATE-MTG,HYD ENABLE SWITCH	



622894-A-01.TIF

# HEATER-INSTL,SC4X55

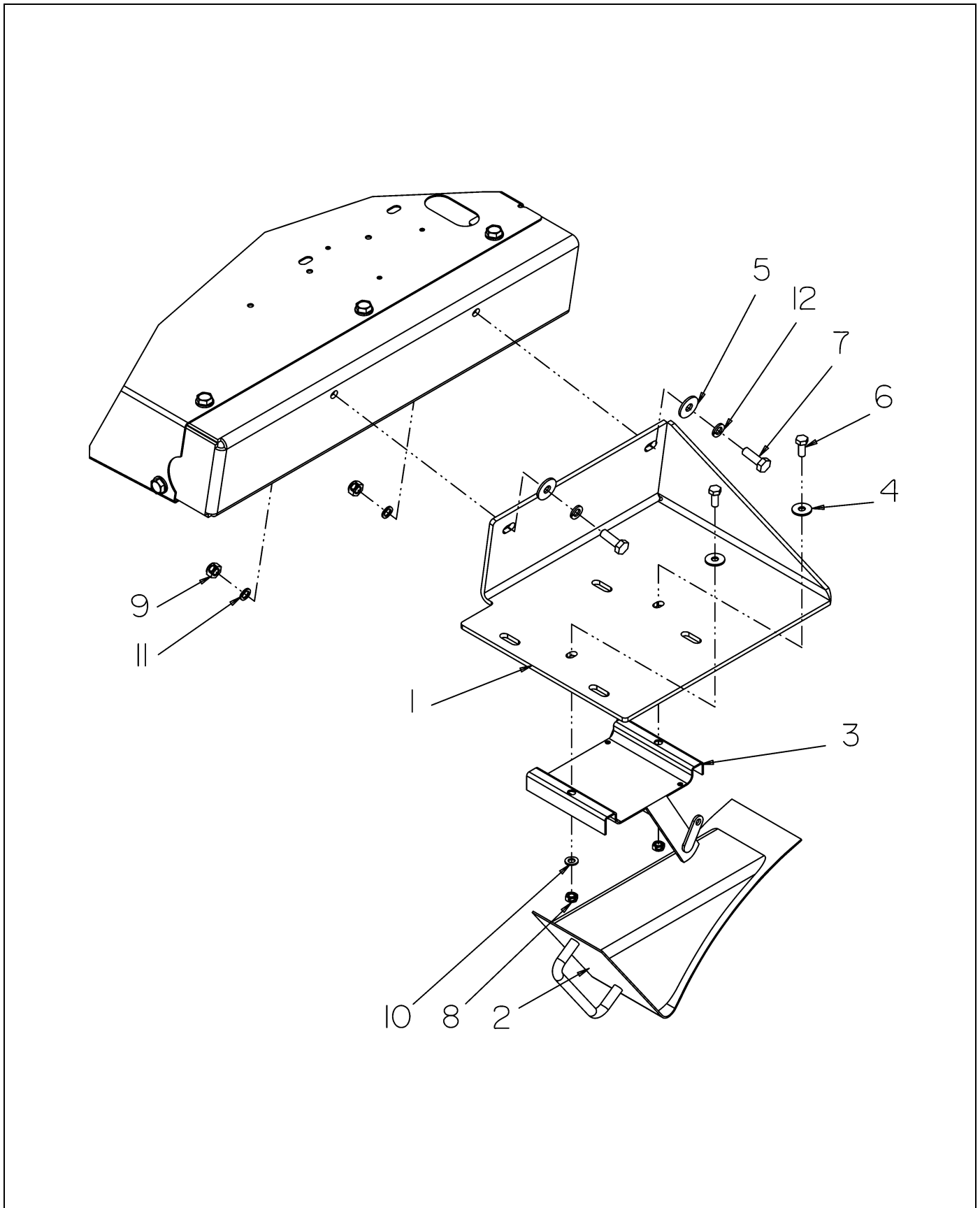
ITEM	PART #	QTY	DESCRIPTION	COMMENTS
1	E720386	1	HEATER-VENT,SC4x55	



612976-A-P271-1.TIF

# VIZER INSTL-SUN,SC

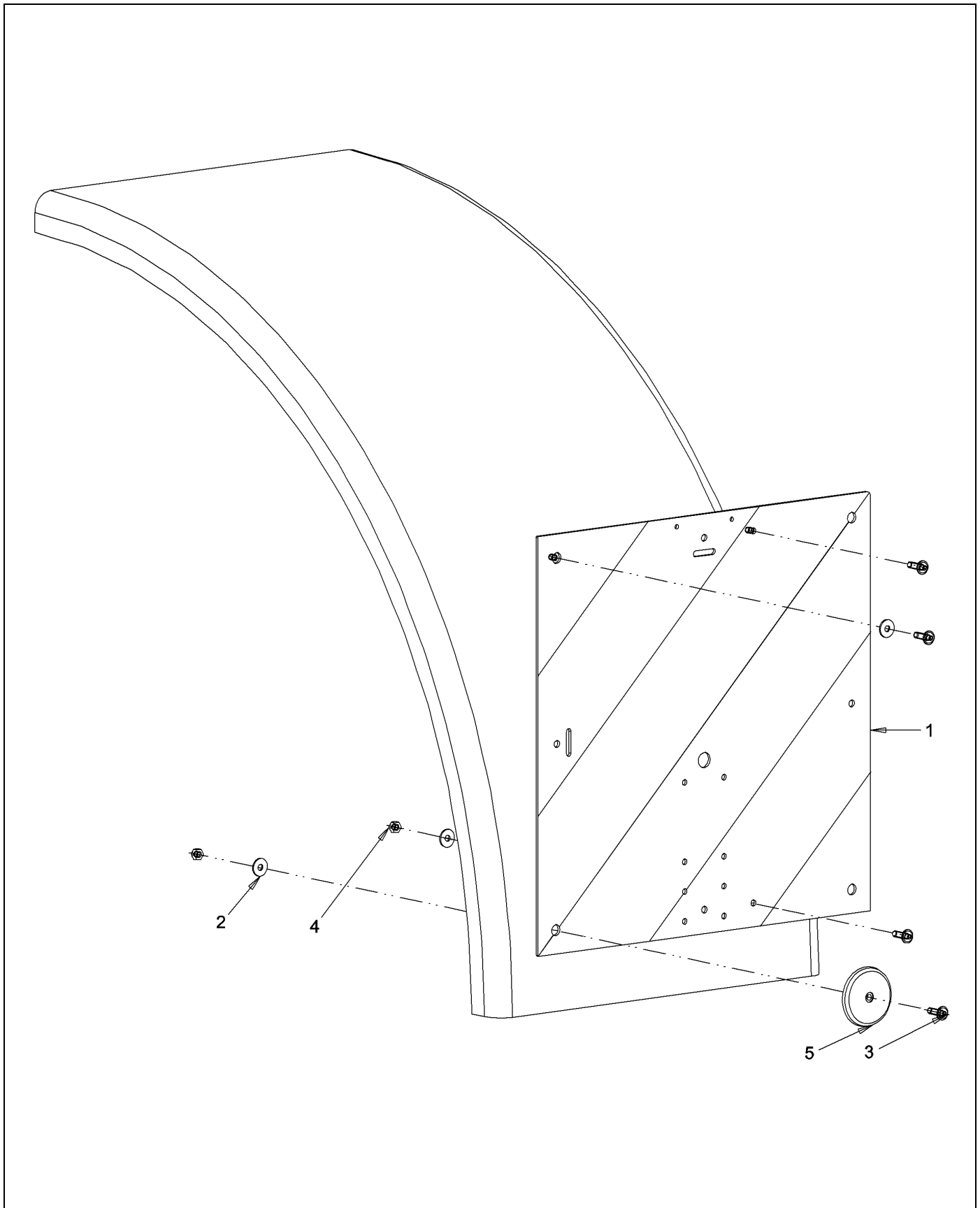
ITEM	PART #	QTY	DESCRIPTION	COMMENTS
1	AG514299	1	VISER-SUN	
2	E100062	8	WASHER-M5,,ISO7089	
3	E100908	4	BOLT-M5X20,12.9,,ISO4762	
4	E105161	4	NUT-M5,,SS,ISO7040	



612977-A-P271-1.TIF

# WEDGE INSTL-WHEEL,SC3/4X50

ITEM	PART #	QTY	DESCRIPTION	COMMENTS
1	AG612091	0	BRACKET-MTG,AIR FILTER	
2	AG613303	1	WEDGE-WHEEL,RAD360MM,BLACK	
3	AG613304	1	HOLDER-WHEEL WEDGE,RAD360MM,BL	
4	E102068	2	WASHER-M8,SS,ISO7093	
5	E102070	0	WASHER-M10,SS,ISO7093	
6	E105024	2	BOLT-M8X20,,,SS,ISO4017	
7	E105053	0	BOLT-M10X30,,,SS,ISO4017	
8	E105154	2	NUT-M8,,,SS,ISO4032	
9	E105164	0	NUT-M10,,,SS,DIN985	
10	E105318	2	WASHER-M8,SS,ISO7089	
11	E105319	0	WASHER-M10,SS,ISO7089	
12	E105332	0	WASHER-M10,SS,DIN127B	

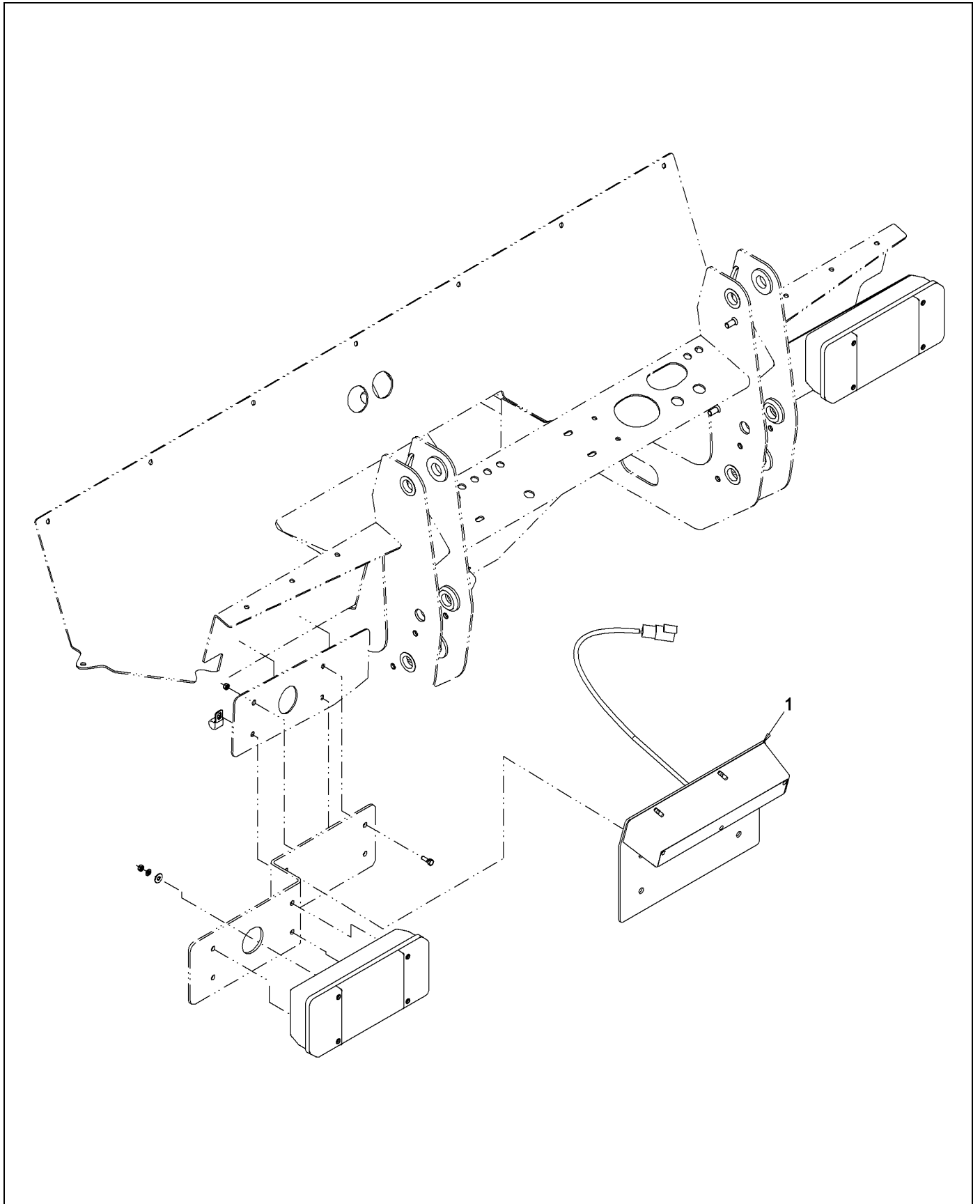


621695-C-01.TIF



# SIGN INSTL-LONG,LOAD,REAR,SC4X5X

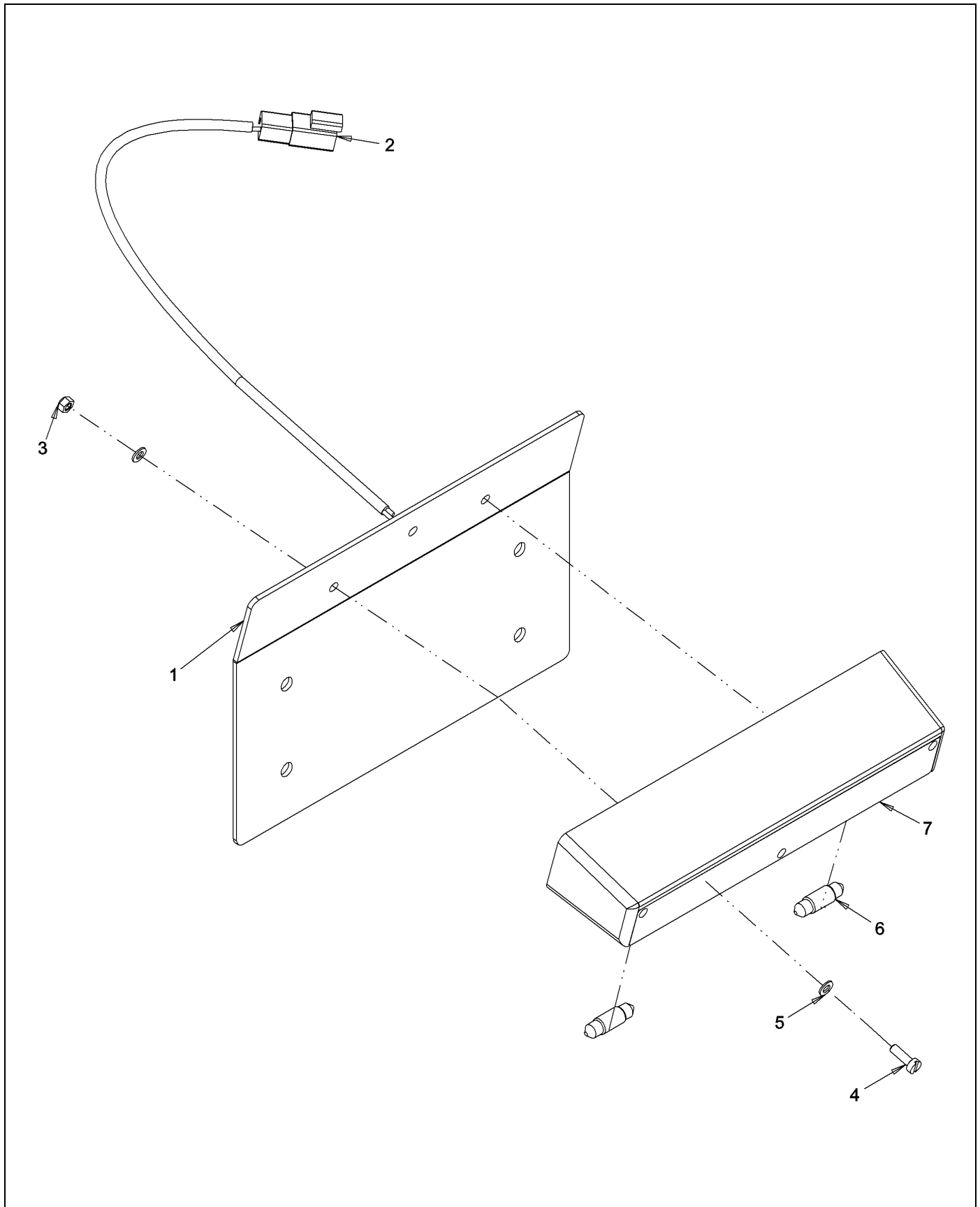
ITEM	PART #	QTY	DESCRIPTION	COMMENTS
1	AG622780	1	SIGN-LONG LOAD,MODIFIED SCx55	
2	E100024	10	WASHER-M6,,ISO7093	
3	E105034	8	BOLT-M6X20,,SS,BUTTON/FLANGE	
4	E105162	8	NUT-M6,,SS,ISO7040	
5	E400035	2	REFLECTOR-ROUND,60MM,RED	



622737-A-01.TIF

# PLATE INSTL-LICENSE,SC4X55

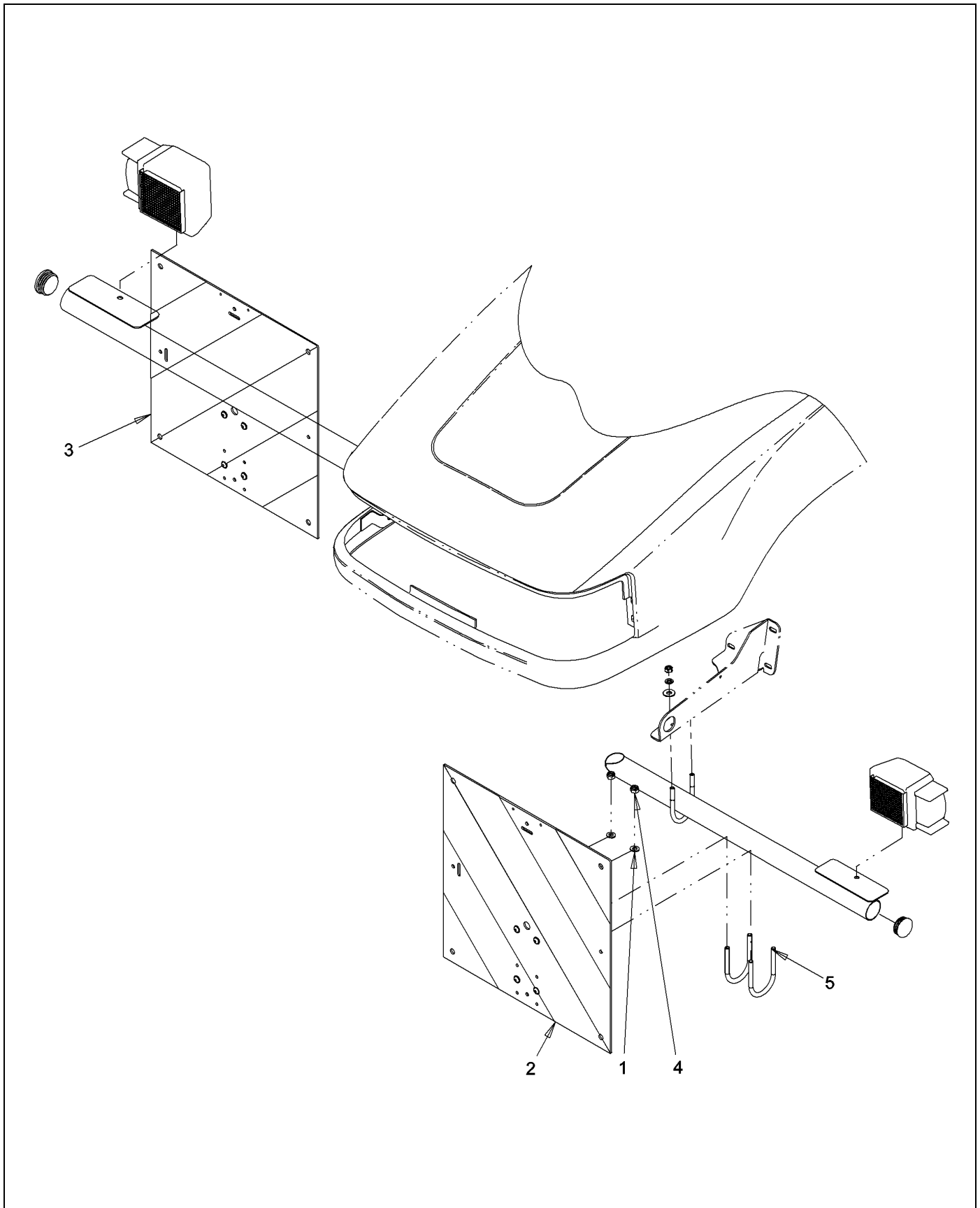
ITEM	PART #	QTY	DESCRIPTION	COMMENTS
1	AG616242	1	PLATE ASM-LICENSE,SC4X55	SEE PAGE 2-23



616242-A-01.TIF

# PLATE ASM-LICENSE,SC4X55

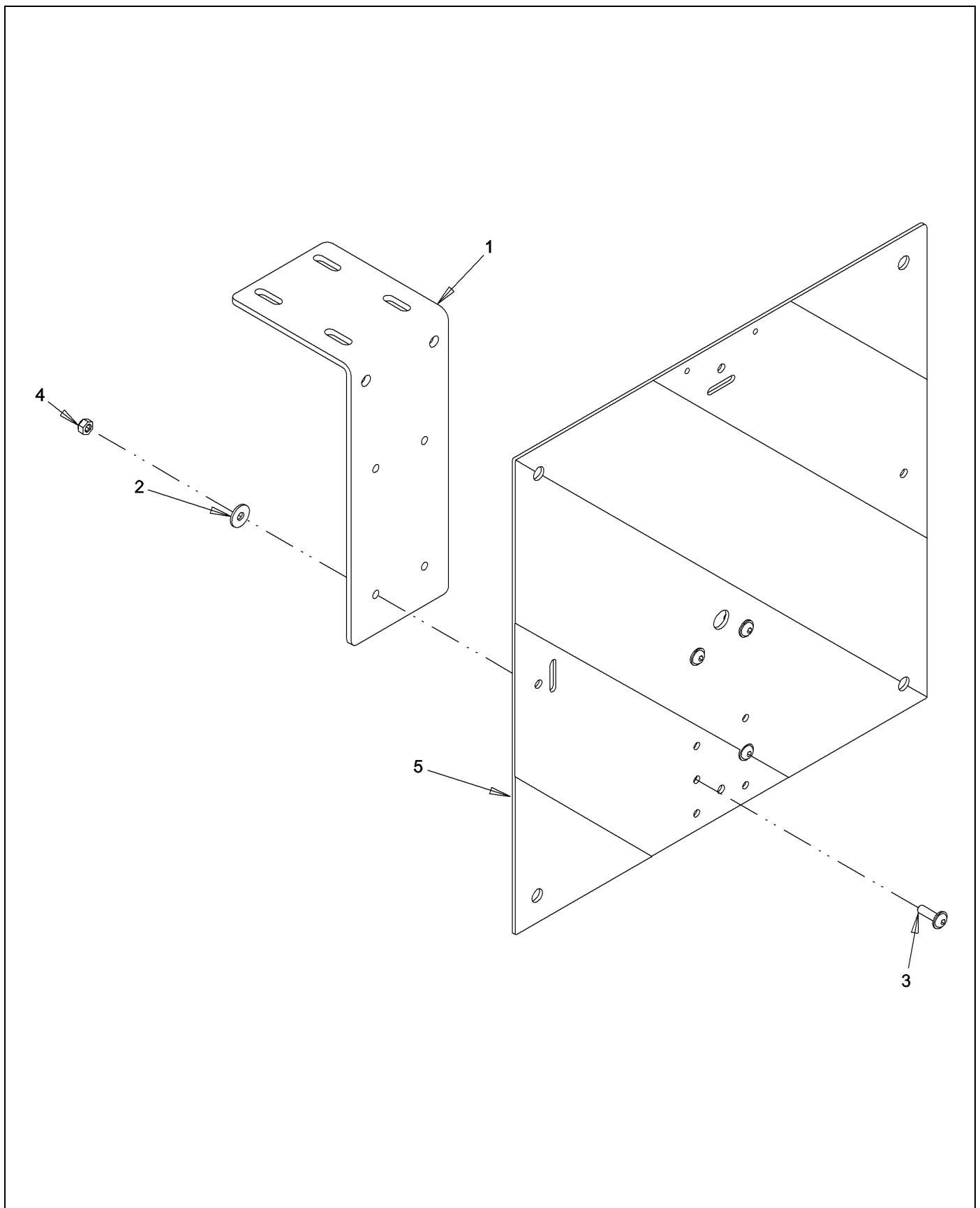
ITEM	PART #	QTY	DESCRIPTION	COMMENTS
1	AG621218	1	PLATE-MTG,LIGHT LICENSE,SC4X55	
2	AG622721	1	HARNES-LICENSE PLATE,SC4X55	
3	E105161	2	NUT-M5,,,SS,ISO7040	
4	E105200	2	BOLT-M5X16,,,SS,ISO1207	
5	E105315	4	WASHER-M5,SS,ISO7089	
6	E400000	2	LIGHT BULB-12V,5W,SV8.5	
7	E400026	1	LIGHT-LICENCE PLATE	



622795-A-01.TIF

# SIGN INSTL-LONG LOAD,FRONT,SC

ITEM	PART #	QTY	DESCRIPTION	COMMENTS
1	AG520880	8	WASHER-M8,,ISO70899	
2	AG622781	1	SIGN ASM-LONG LOAD,423x423,LH	SEE PAGE 2-25
3	AG622794	1	SIGN ASM-LONG LOAD,423x423,RH	SEE PAGE 2-26
4	CH131-3540	8	NUT-M8X1.25,,ISO7040	
5	E130546	4	BOLT-U,M8X85X57X40,GALV	

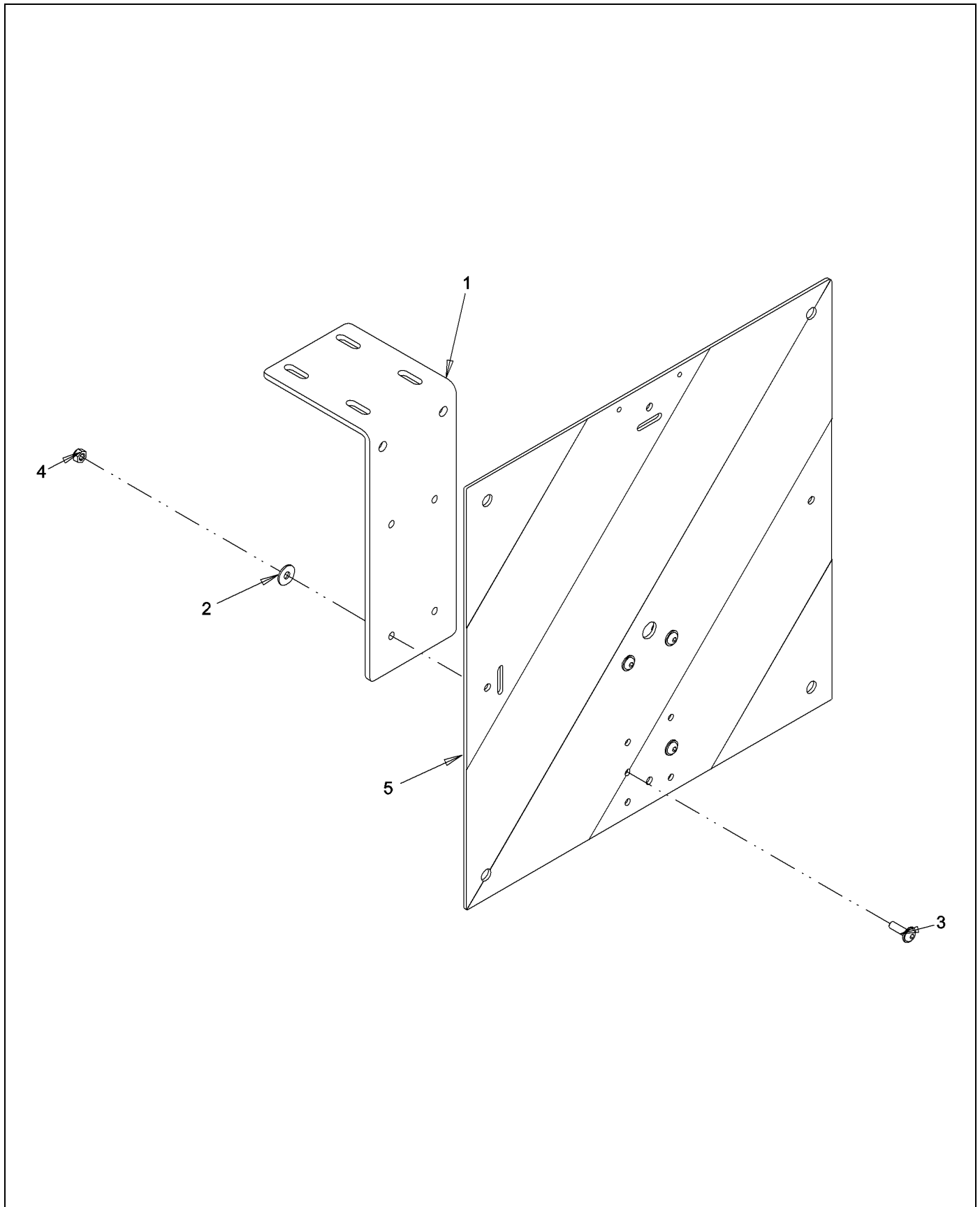


622781-A-01.TIF



# SIGN ASM-LONG LOAD,423X423,LH

ITEM	PART #	QTY	DESCRIPTION	COMMENTS
1	AG621217	1	BRACKET-MTG,LL SIGN,SC4X55	
2	E100024	4	WASHER-M6,,ISO7093	
3	E105034	4	BOLT-M6X20,,SS,BUTTON/FLANGE	
4	E105162	4	NUT-M6,,SS,ISO7040	
5	E400055	1	SIGN-LONG LOAD,423x423	



622794-A-01.TIF

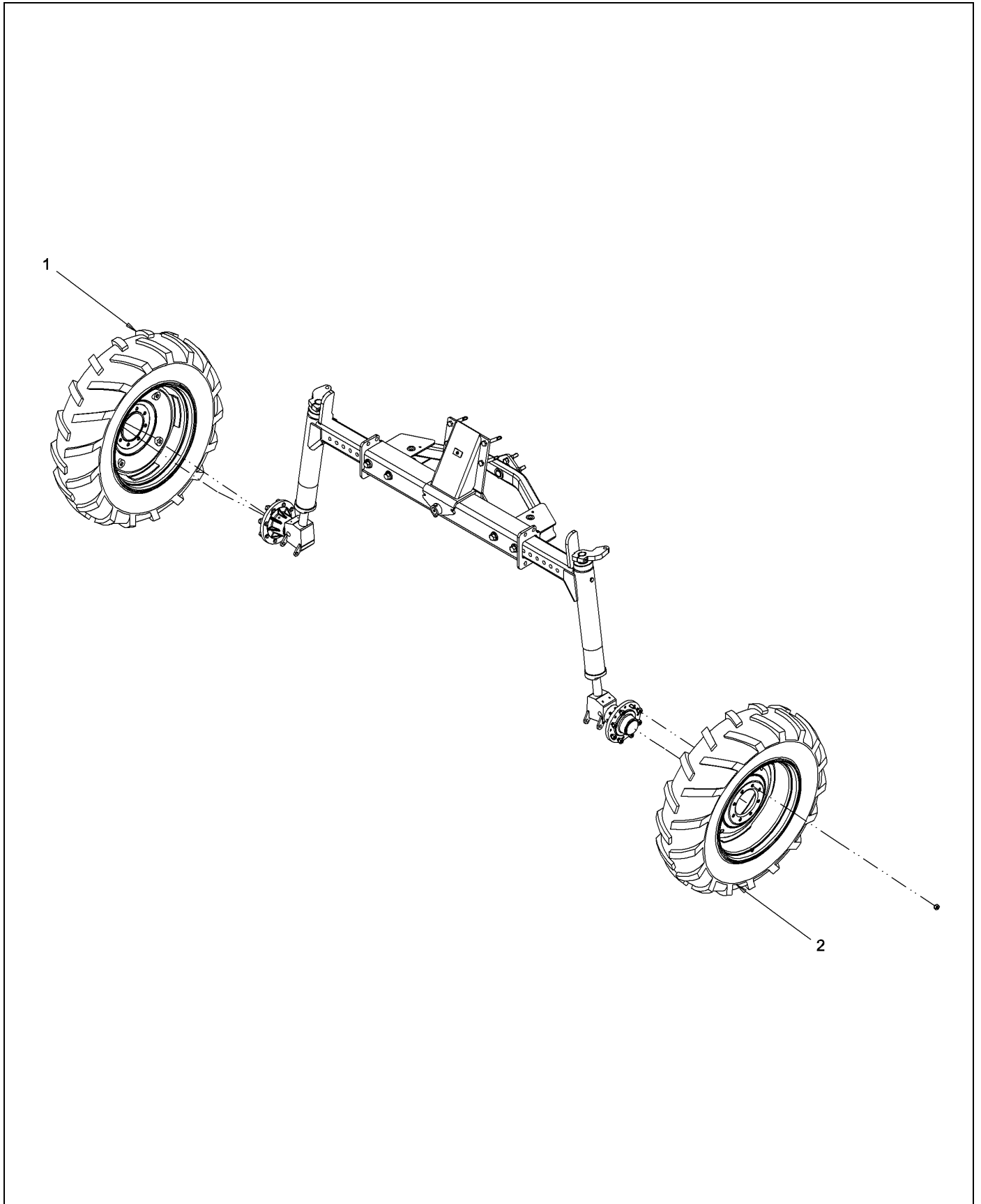
# SIGN ASM-LONG LOAD,423X423,RH

ITEM	PART #	QTY	DESCRIPTION	COMMENTS
1	AG621217	1	BRACKET-MTG,LL SIGN,SC4X55	
2	E100024	4	WASHER-M6,,ISO7093	
3	E105034	4	BOLT-M6X20,,SS,BUTTON/FLANGE	
4	E105162	4	NUT-M6,,SS,ISO7040	
5	E400055	1	SIGN-LONG LOAD,423x423	

TIRE INSTL-11.2R24,CH	3-1
RIM AND TIRE ASM-11.2R24,RH	3-2
RIM AND TIRE ASM-11.2R24,LH	3-3





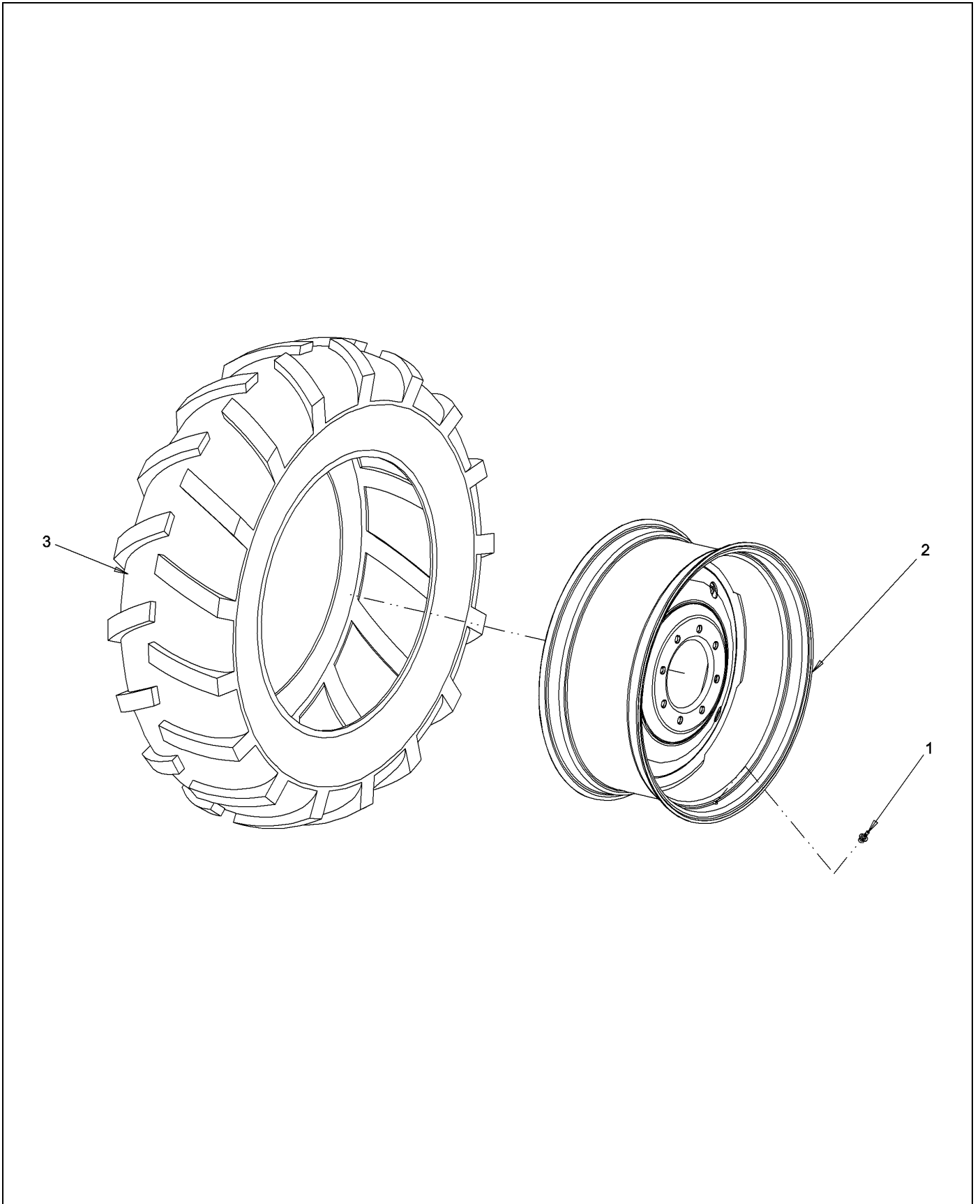


623009-A-01.TIF

# TIRE INSTL-11.2R24,CH

ITEM	PART #	QTY	DESCRIPTION	COMMENTS
1	AG623010	1	RIM & TIRE ASM-11.2R24,RH	SEE PAGE 3-2
2	AG623011	1	RIM & TIRE ASM-11.2R24,LH	SEE PAGE 3-3

RIM AND TIRE ASM-11.2R24,RH



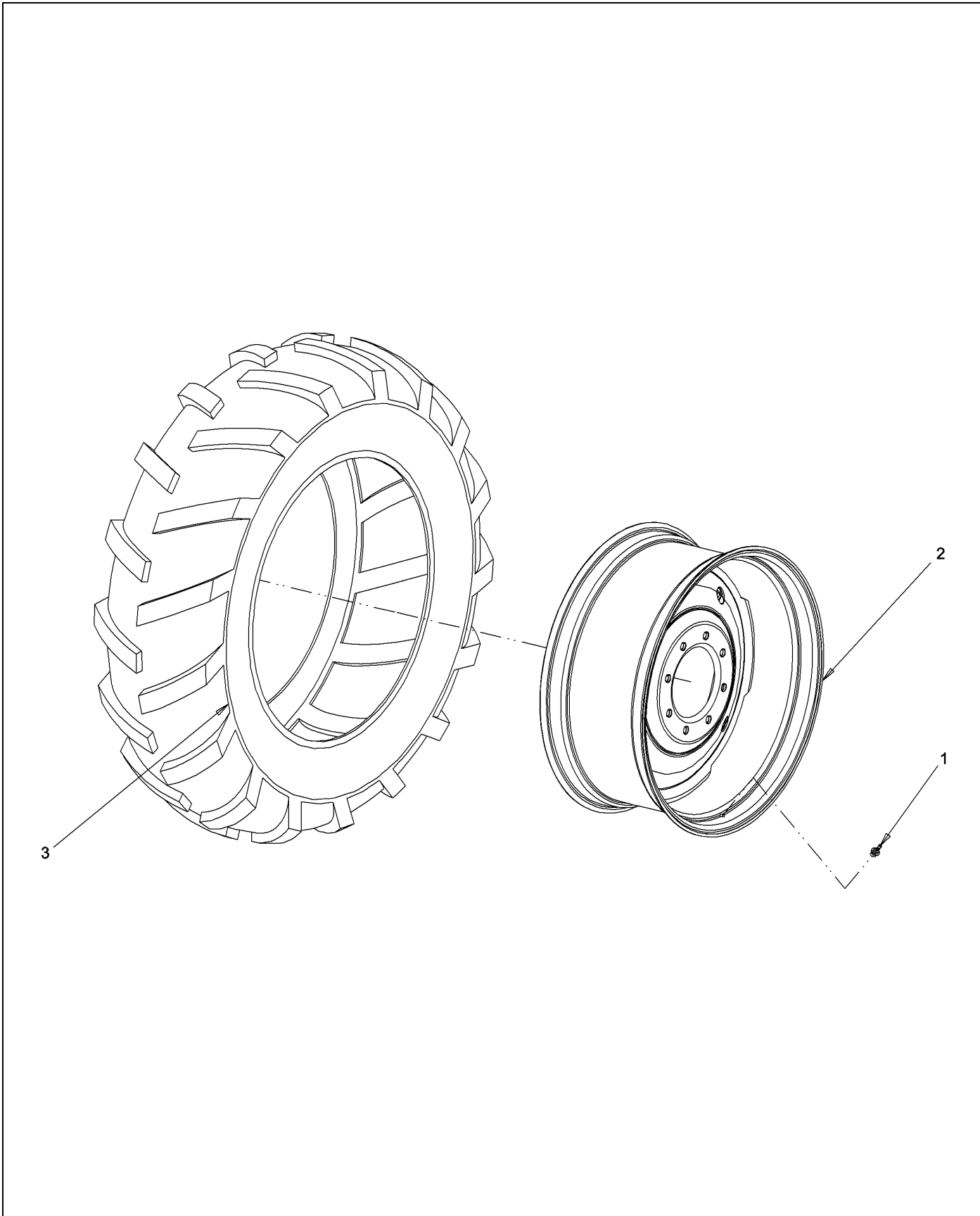
623010-A-01.TIF



# RIM AND TIRE ASM-11.2R24,RH

ITEM	PART #	QTY	DESCRIPTION	COMMENTS
1	6673682	1	VALVE-AIR,TIRE,16MM HOLE	
2	504440D1	1	RIM-24XW10,GRAY	
3	E862009	1	TIRE-11.2 R24,TL,SUPVIG KLEBER	

# RIM AND TIRE ASM-11.2R24,LH



623011-A-01.TIF

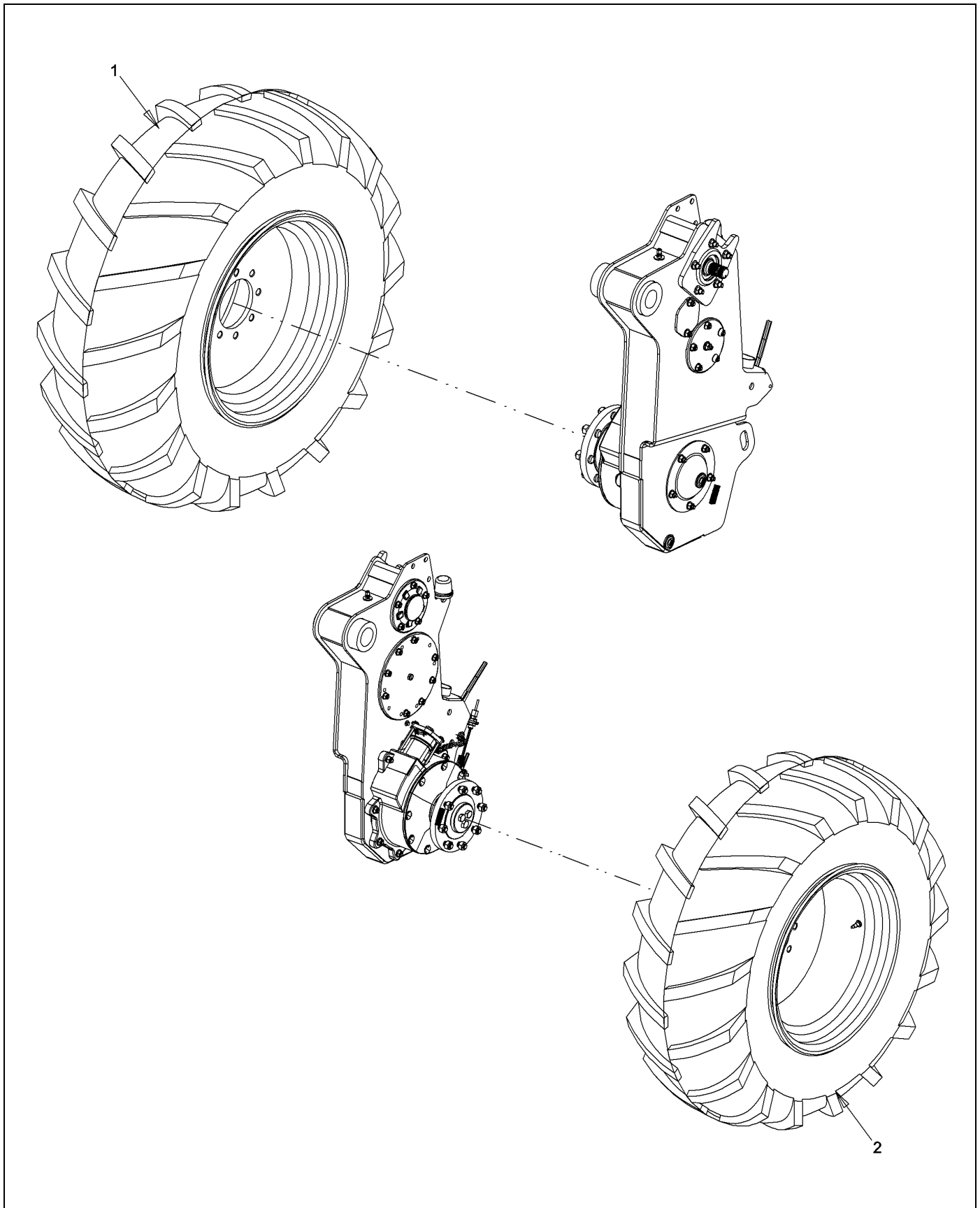
# RIM AND TIRE ASM-11.2R24,LH

ITEM	PART #	QTY	DESCRIPTION	COMMENTS
1	6673682	1	VALVE-AIR,TIRE,16MM HOLE	
2	504440D1	1	RIM-24XW10,GRAY	
3	E862009	1	TIRE-11.2 R24,TL,SUPVIG KLEBER	

TIRE INSTL-480/65R24,CH	4-1
RIM AND TIRE ASM-480/65R24,RH	4-2
RIM AND TIRE ASM-480/65R24,LH	4-3
TIRE INSTL-540/65R24,CH	4-4
RIM AND TIRE ASM-540/65R24,RH	4-5
RIM AND TIRE ASM-540/65R24,LH	4-6
TIRE INSTL-320/85 R32,CH	4-7
RIM AND TIRE ASM-320/85R32,LH	4-8
RIM AND TIRE ASM-320/85R32,RH	4-9
TIRE INSTL-270/80R32,CH	4-10
RIM AND TIRE ASM-270/80R32,LH	4-11
RIM AND TIRE ASM-270/80R32,RH	4-12
TIRE INSTL-270/95R32,CH	4-13
RIM AND TIRE ASM-270/95R32,LH	4-14
RIM AND TIRE ASM-270/95R32,RH	4-15

---

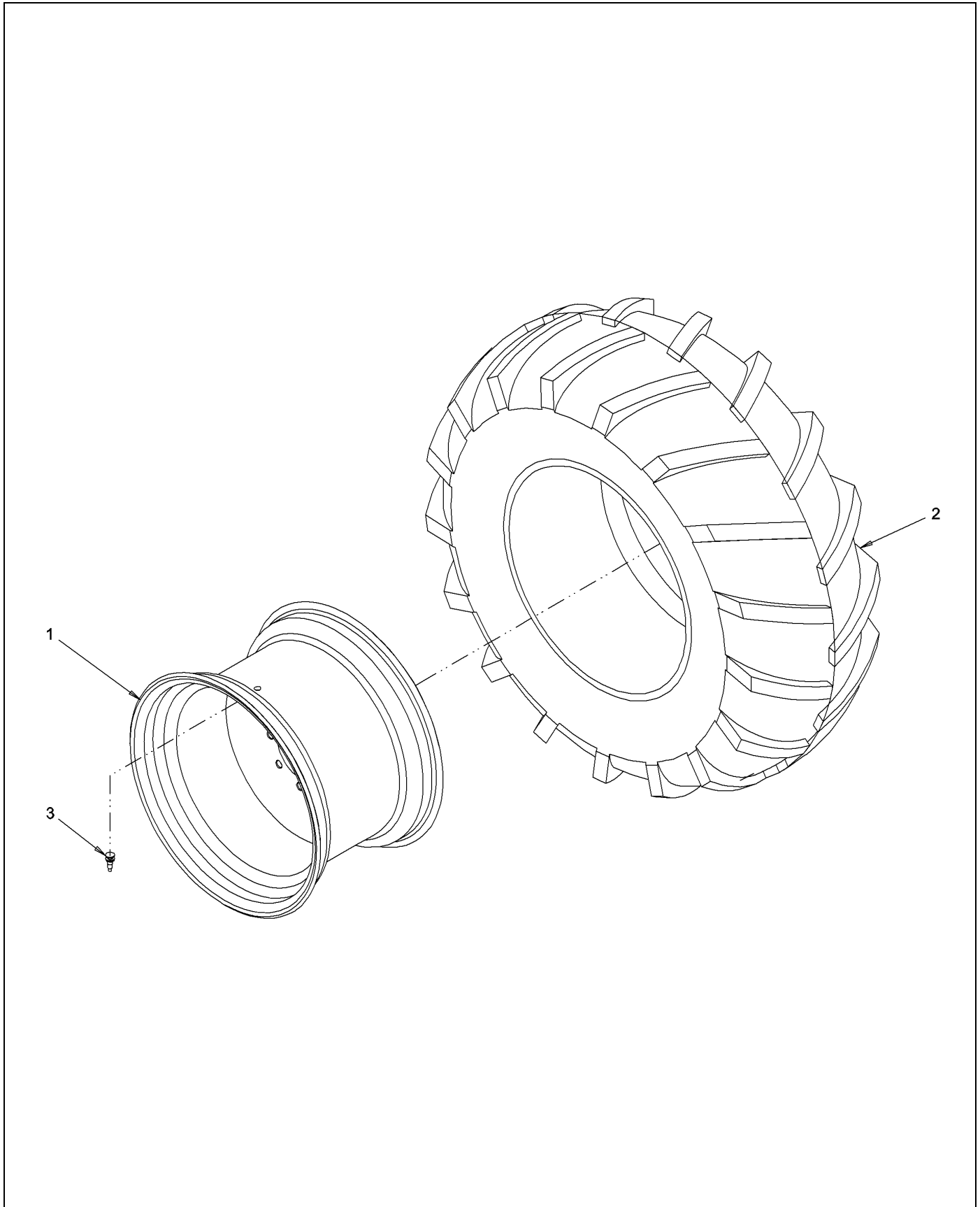




623005-A-01.TIF

# TIRE INSTL-480/65R24,CH

ITEM	PART #	QTY	DESCRIPTION	COMMENTS
1	AG622986	1	RIM & TIRE ASM-480/65R24,RH	SEE PAGE 4-2
2	AG622992	1	RIM & TIRE ASM-480/65R24,LH	SEE PAGE 4-3

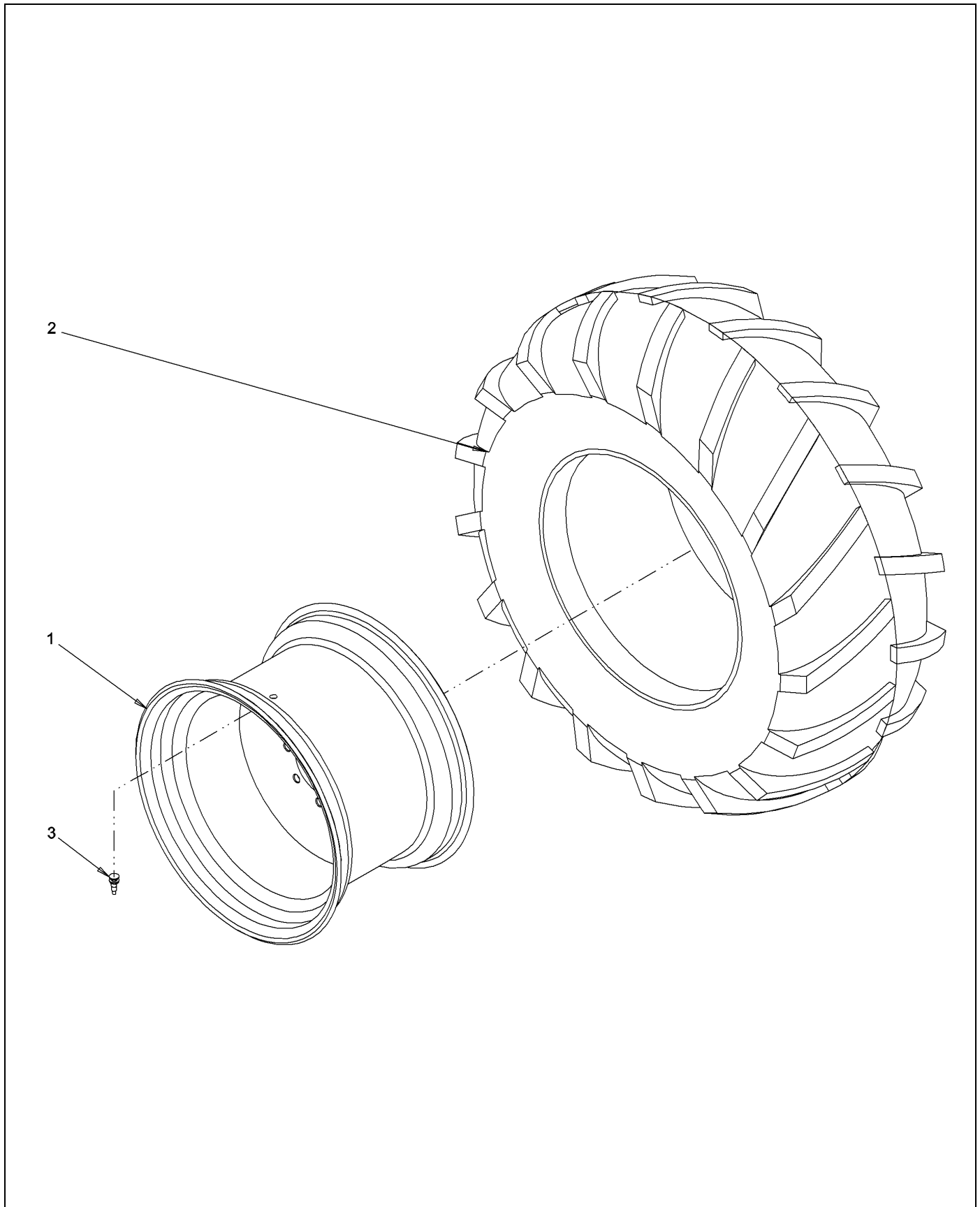


622986-A-01.TIF



# RIM AND TIRE ASM-480/65R24,RH

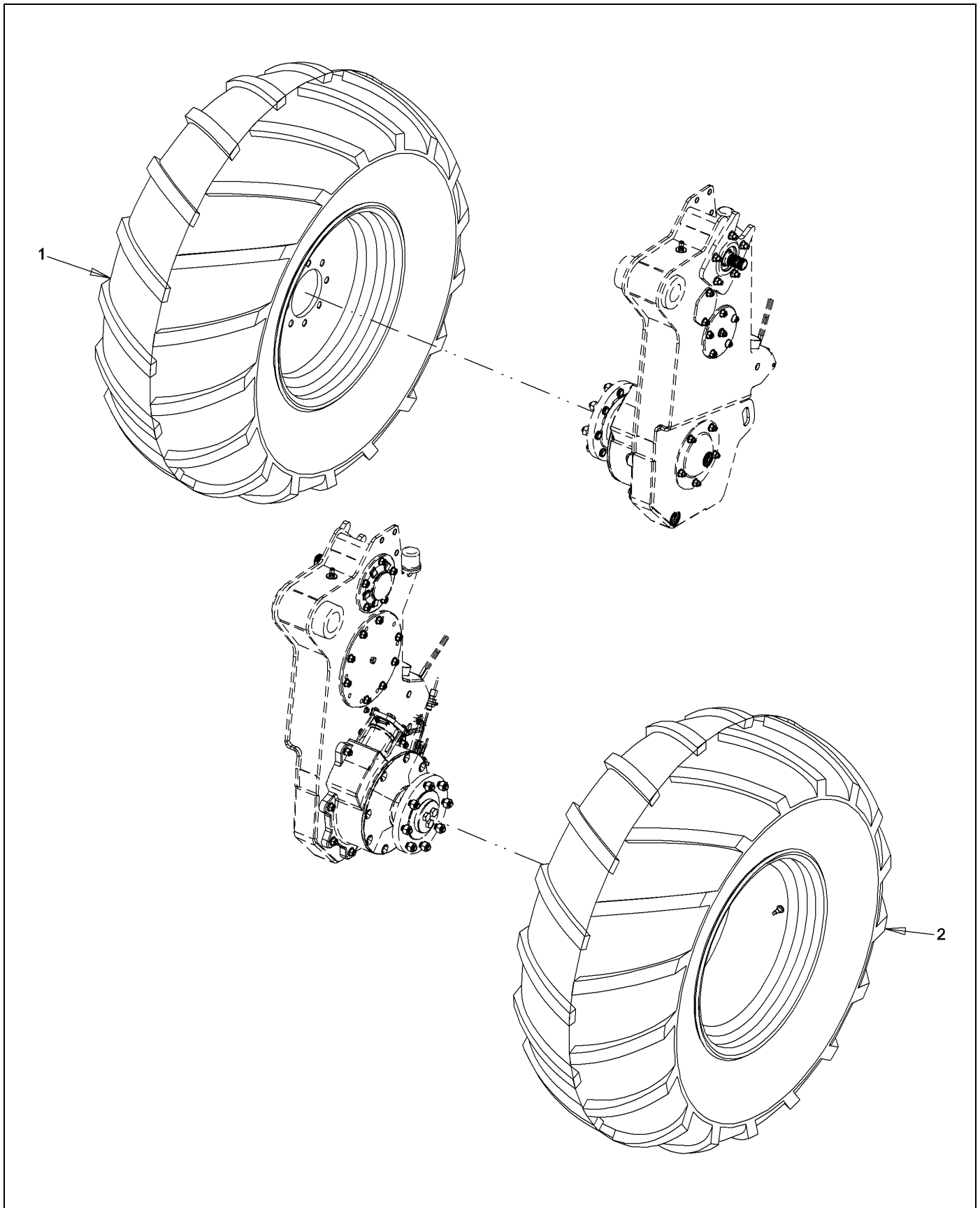
ITEM	PART #	QTY	DESCRIPTION	COMMENTS
1	AG621615	1	RIM-W16X24,8HOLES,60OFS,CH	
2	AG680871	1	TIRE-480/65R24,MULTIBIB TL133D	
3	E511047	1	VALVE-AIR,TIRE,16MM HOLE	



622992-A-01.TIF

# RIM AND TIRE ASM-480/65R24,LH

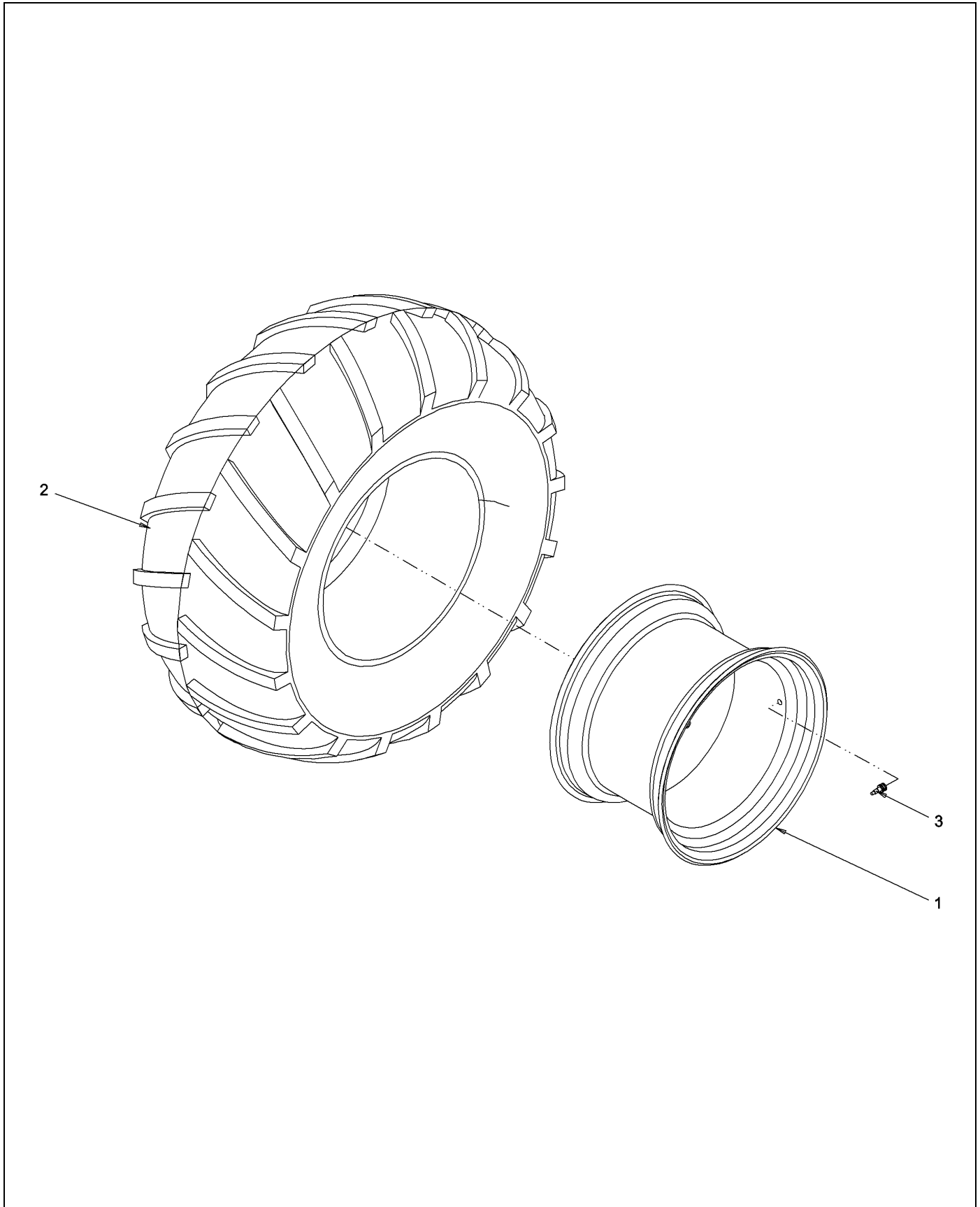
ITEM	PART #	QTY	DESCRIPTION	COMMENTS
1	AG621615	1	RIM-W16X24,8HOLES,60OFS,CH	
2	AG680871	1	TIRE-480/65R24,MULTIBIB TL133D	
3	E511047	1	VALVE-AIR,TIRE,16MM HOLE	



623008-A-01.TIF

# TIRE INSTL-540/65R24,CH

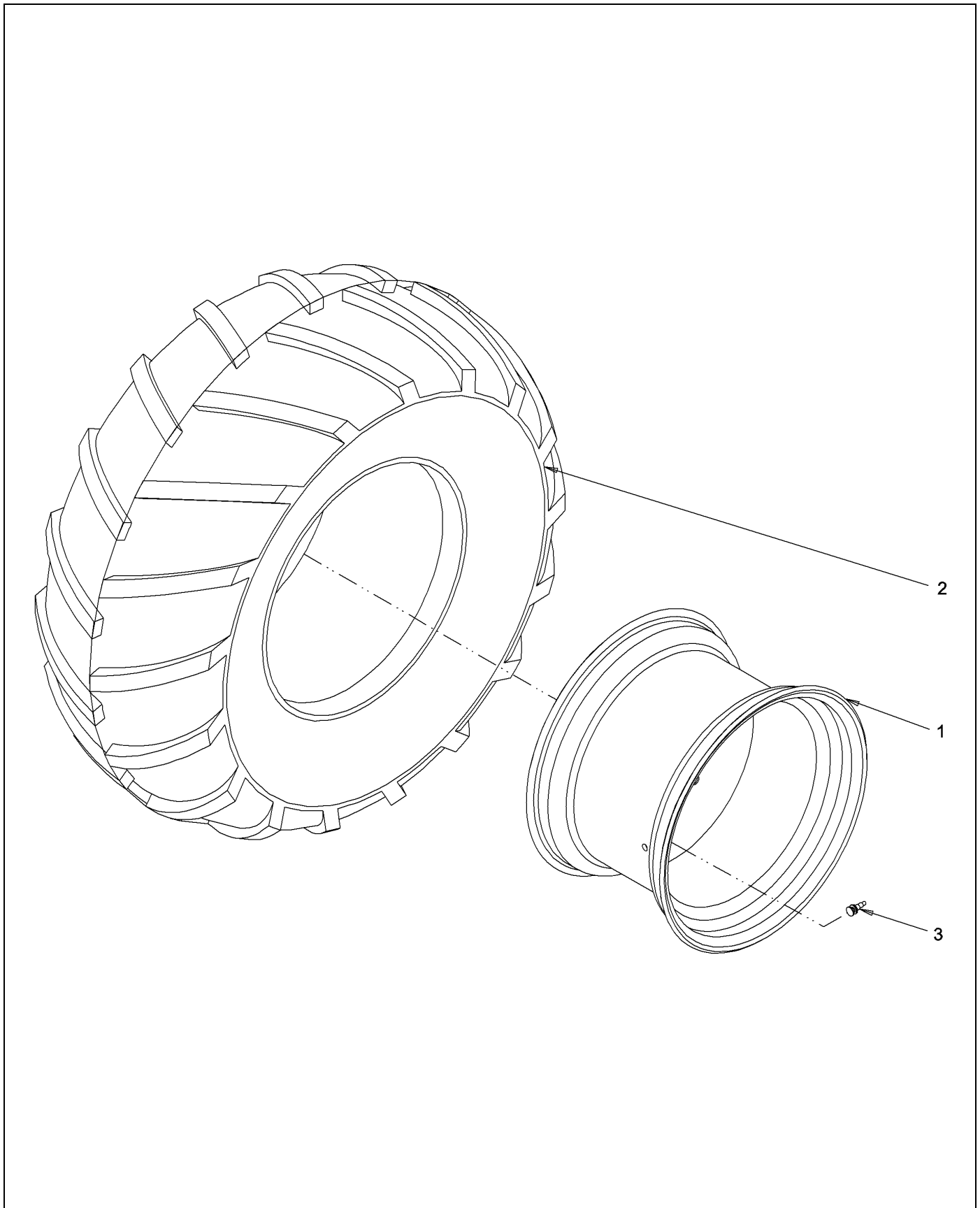
ITEM	PART #	QTY	DESCRIPTION	COMMENTS
1	AG623006	1	RIM & TIRE ASM-540/65R24,RH	SEE PAGE 4-5
2	AG623007	1	RIM & TIRE ASM-540/65R24,LH	SEE PAGE 4-6



623006-A-01.TIF

# RIM AND TIRE ASM-540/65R24,RH

ITEM	PART #	QTY	DESCRIPTION	COMMENTS
1	AG621617	1	RIM-W16X24,8HOLES,90OFS,CH	
2	AG691684	1	TIRE-540/65R24,MULTIBIB,140DTL	
3	E511047	1	VALVE-AIR,TIRE,16MM HOLE	

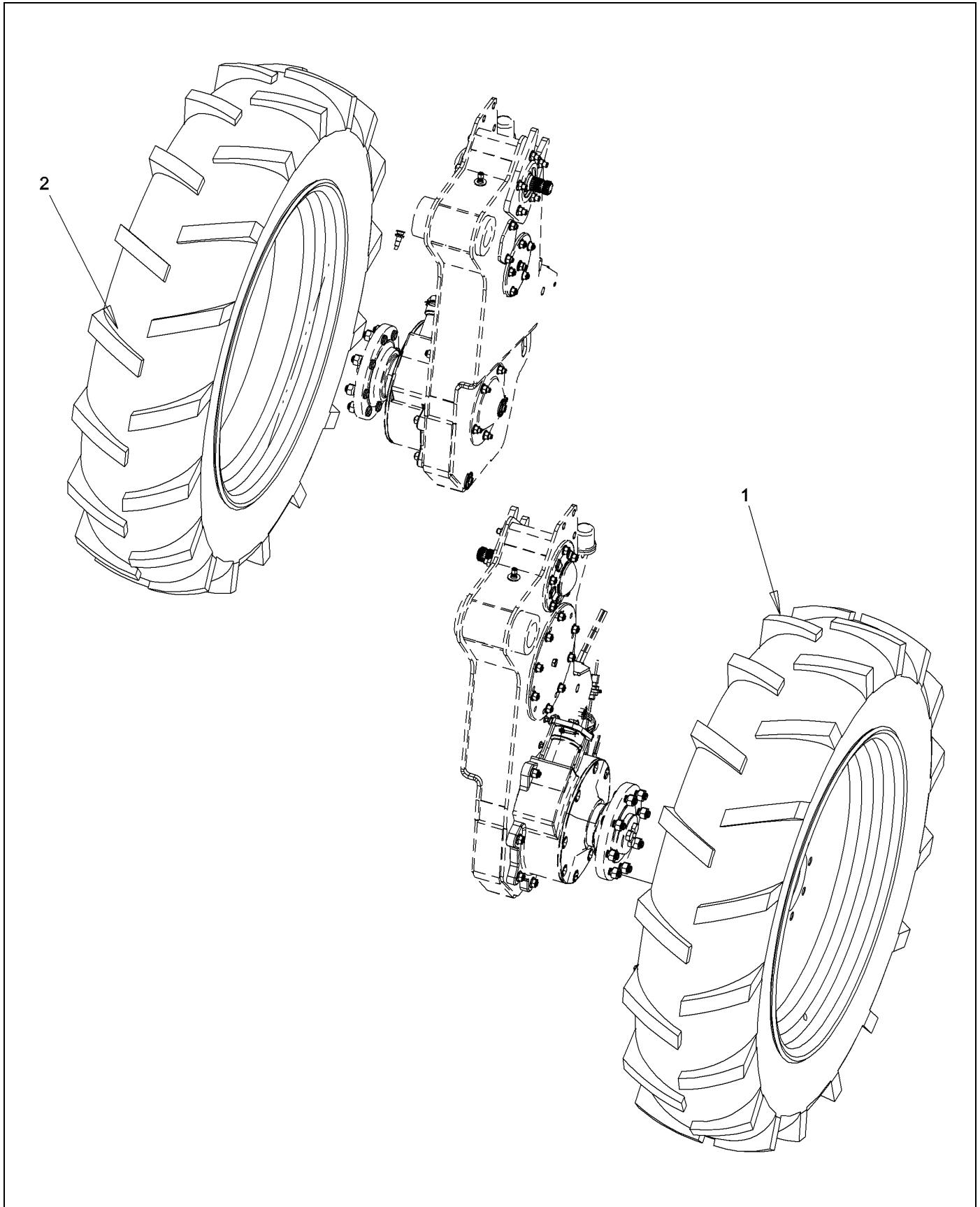


623007-A-01.TIF



# RIM AND TIRE ASM-540/65R24,LH

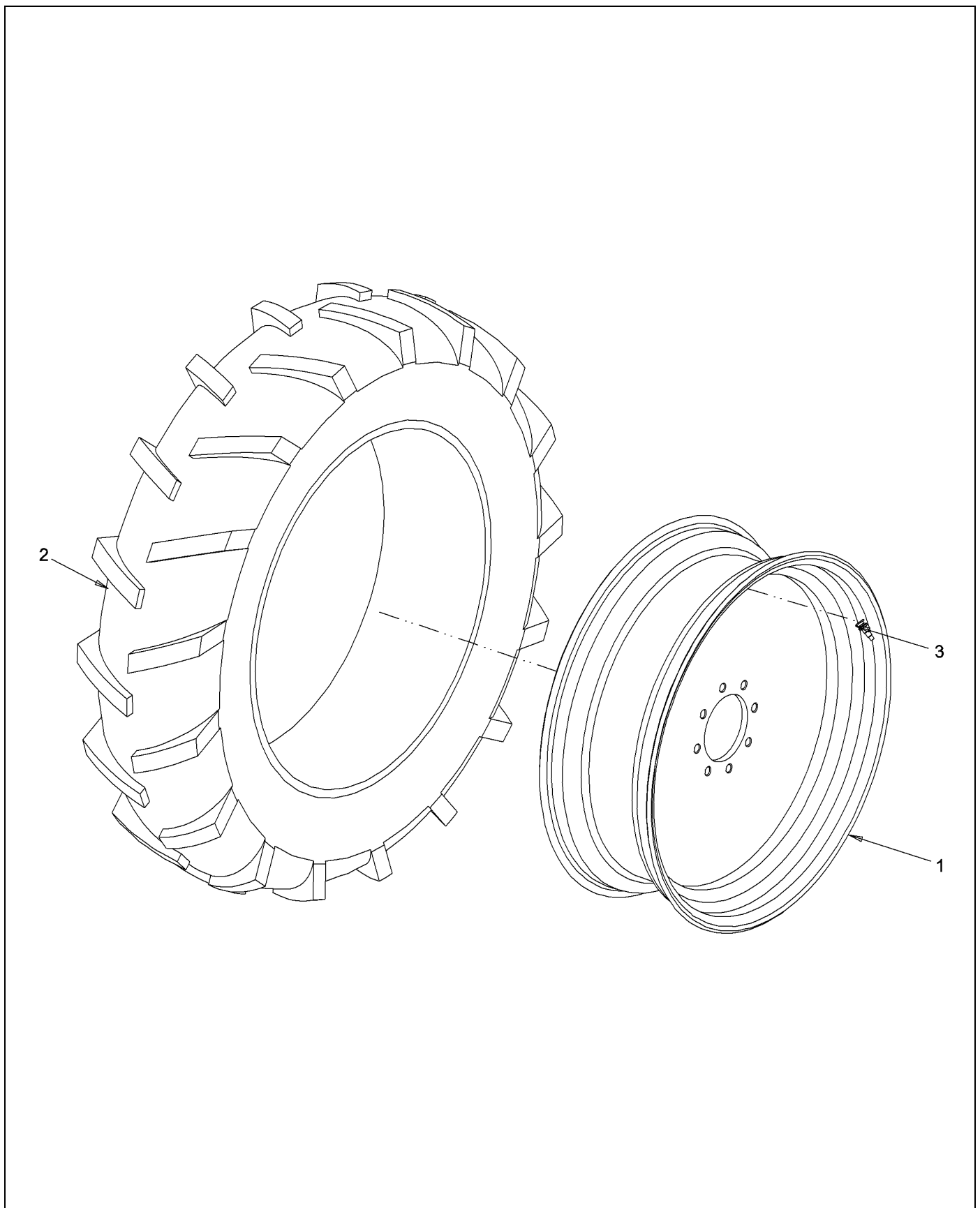
ITEM	PART #	QTY	DESCRIPTION	COMMENTS
1	AG621617	1	RIM-W16X24,8HOLES,90OFS,CH	
2	AG691684	1	TIRE-540/65R24,MULTIBIB,140DTL	
3	E511047	1	VALVE-AIR,TIRE,16MM HOLE	



624091-A-01.TIF

# TIRE INSTL-320/85 R32,CH

ITEM	PART #	QTY	DESCRIPTION	COMMENTS
1	AG624092	1	RIM & TIRE ASM-320/85R32,LH	SEE PAGE 4-8
2	AG624093	1	RIM & TIRE ASM-320/85R32,RH	SEE PAGE 4-9

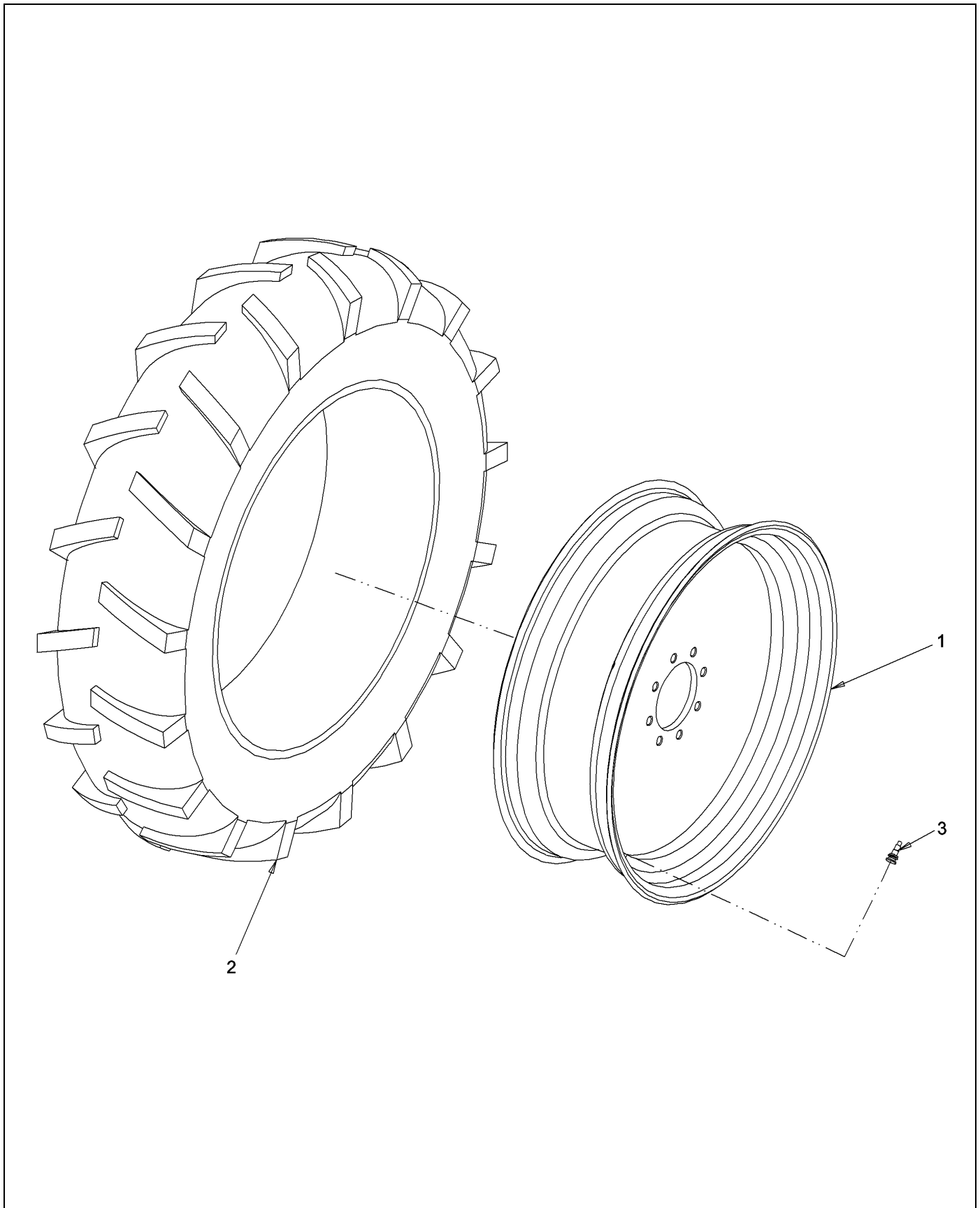


624092-A-01.TIF

# RIM AND TIRE ASM-320/85R32,LH

ITEM	PART #	QTY	DESCRIPTION	COMMENTS
1	AG624094	1	RIM-W11X32,8HOLES,15OFS,CH	
2	E000906	1	TIRE-320/85 R32,TL,TRAKER KLEB	
3	E511047	1	VALVE-AIR,TIRE,16MM HOLE	

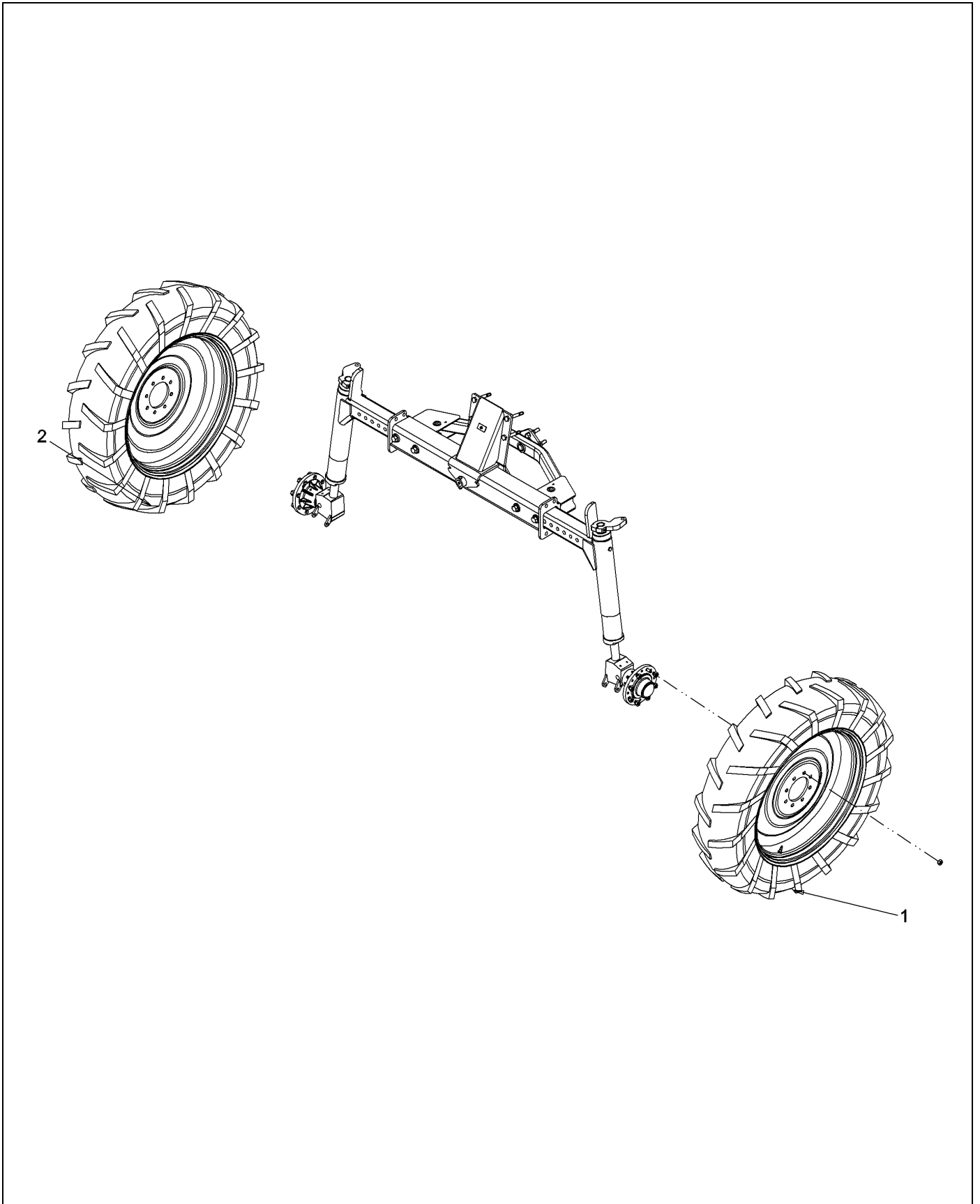
RIM AND TIRE ASM-320/85R32,RH



624093-A-01.TIF

# RIM AND TIRE ASM-320/85R32,RH

ITEM	PART #	QTY	DESCRIPTION	COMMENTS
1	AG624094	1	RIM-W11X32,8HOLES,15OFS,CH	
2	E000906	1	TIRE-320/85 R32,TL,TRAKER KLEB	
3	E511047	1	VALVE-AIR,TIRE,16MM HOLE	

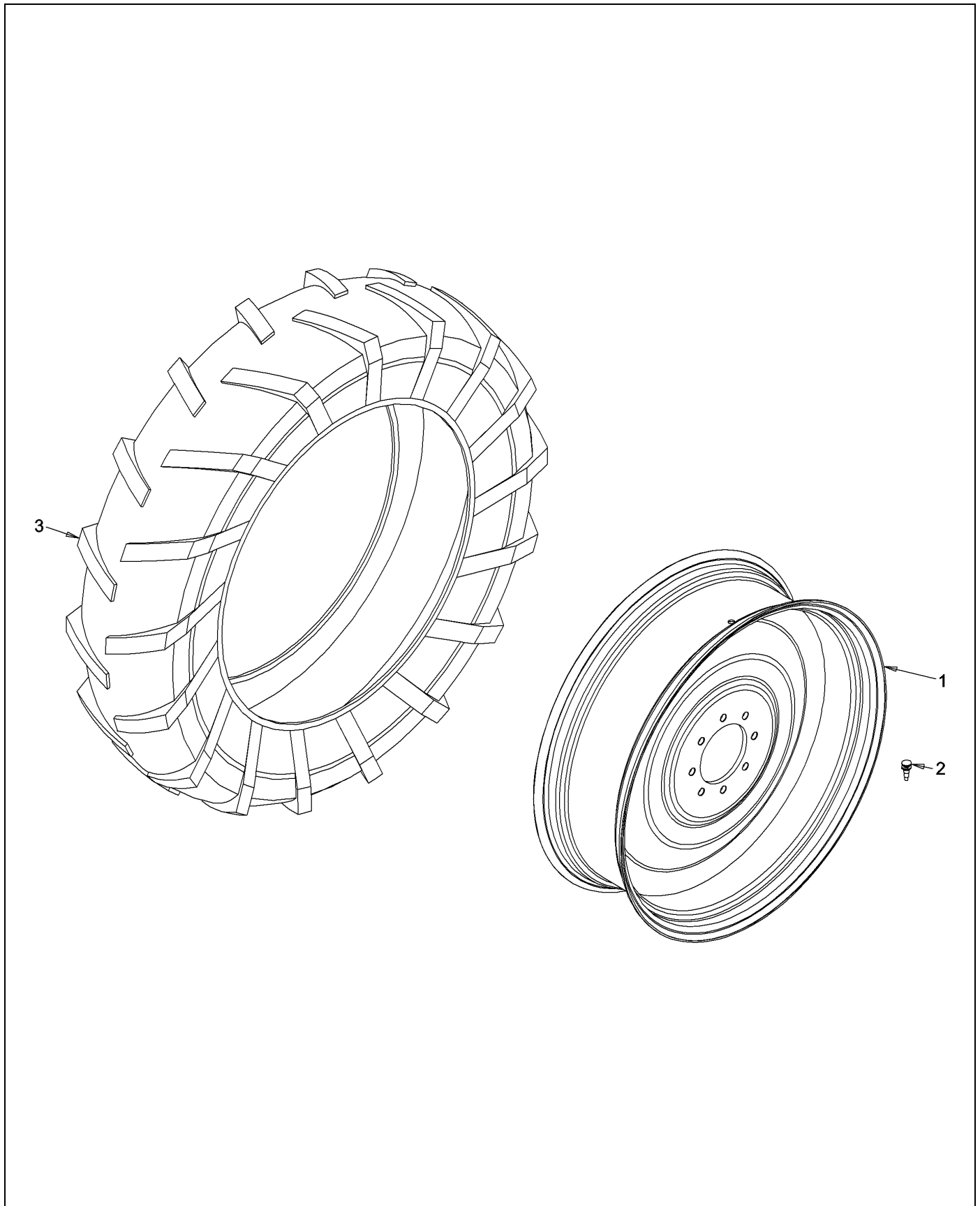


623018-A-01.TIF



# TIRE INSTL-270/80R32,CH

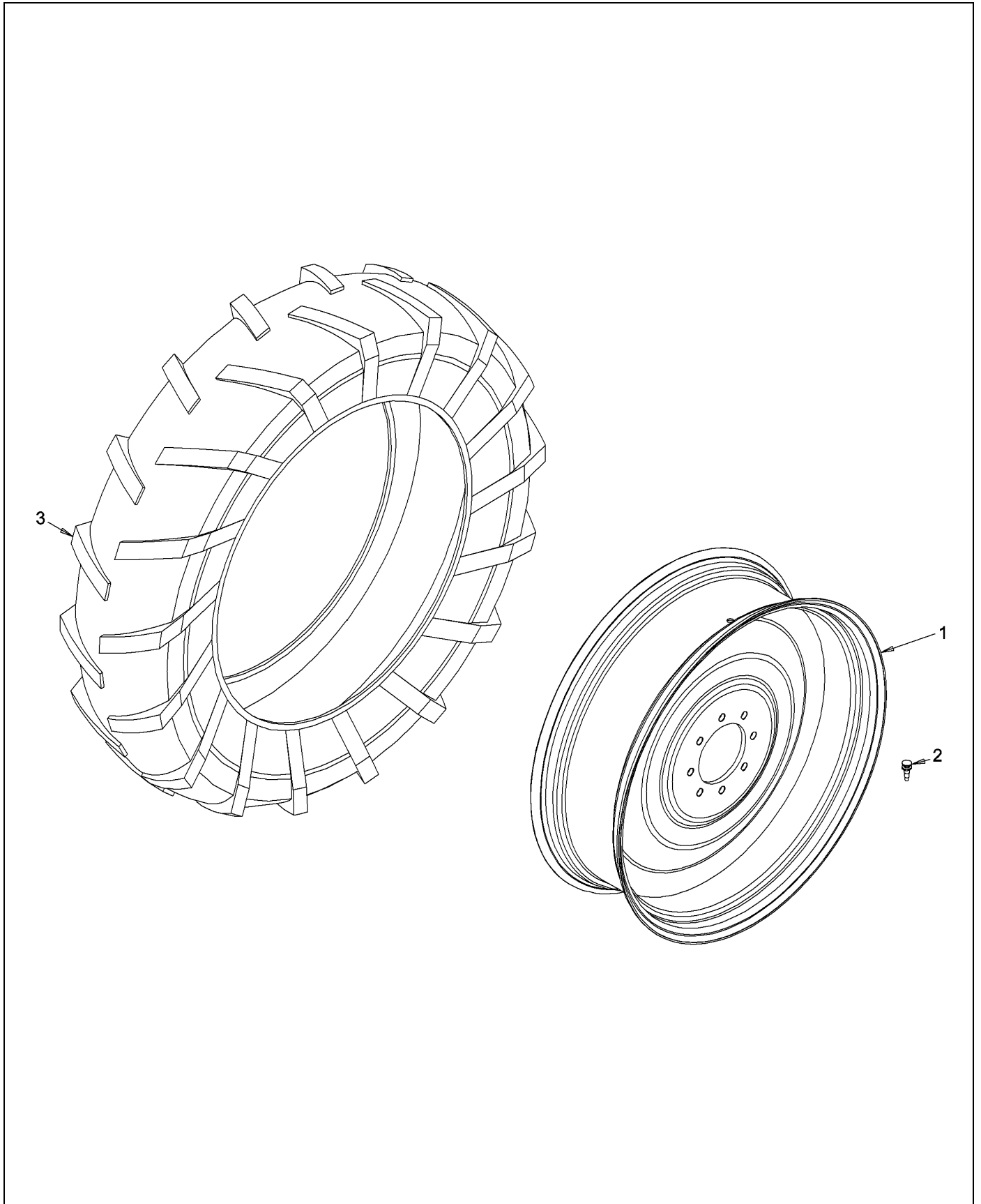
ITEM	PART #	QTY	DESCRIPTION	COMMENTS
1	AG623013	1	RIM & TIRE ASM-270/80R32.LH	SEE PAGE 4-11
2	AG623017	1	RIM & TIRE ASM-270/80R32.RH	SEE PAGE 4-12



623013-A-01.TIF

# RIM AND TIRE ASM-270/80R32.LH

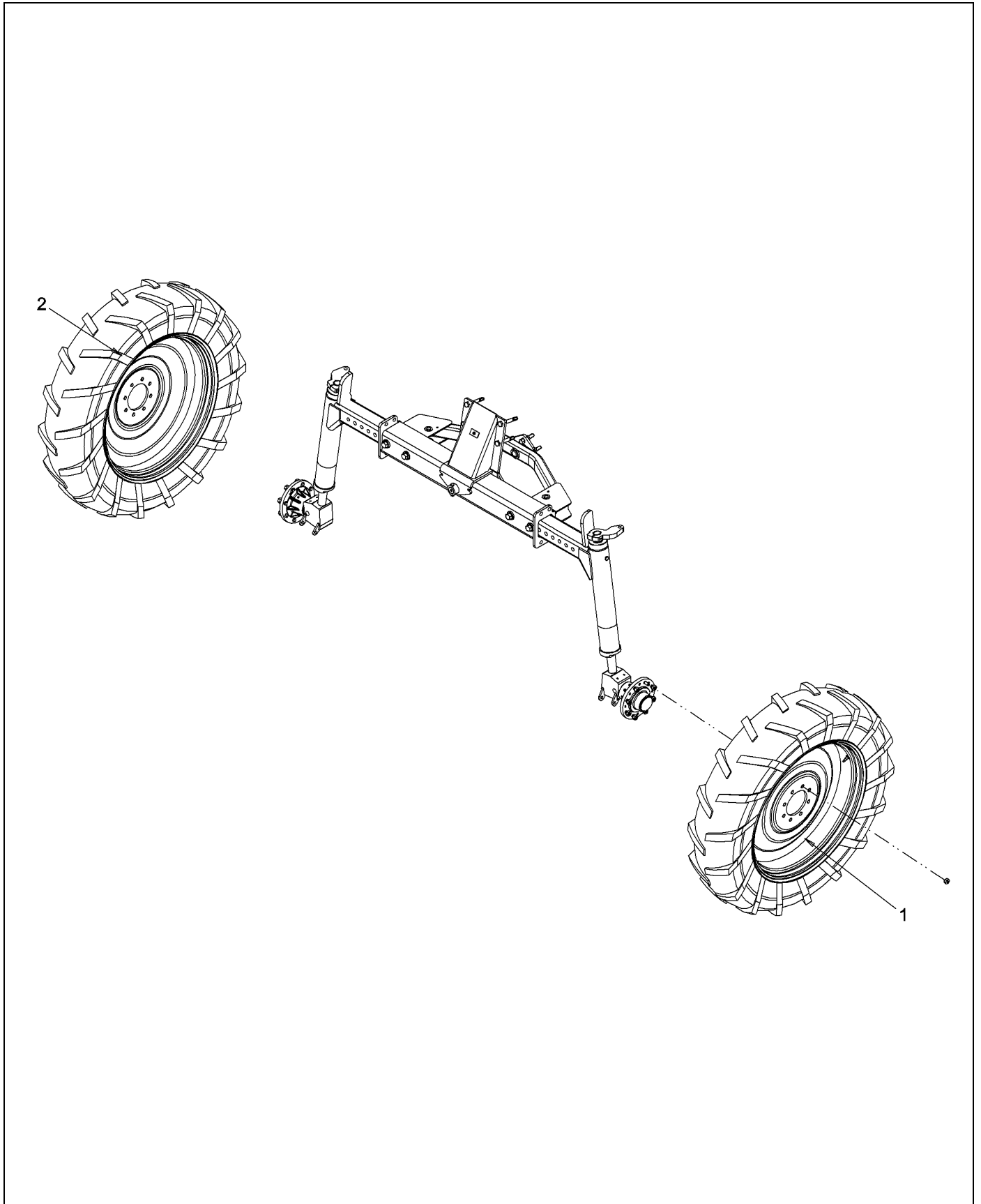
ITEM	PART #	QTY	DESCRIPTION	COMMENTS
1	AG623019	1	RIM-W10X32,8HOLES,320FS,CH	
2	E511047	1	VALVE-AIR,TIRE,16MM HOLE	
3	E862015	1	TIRE-270/80R32,CONTINENTAL	



623017-A-01.TIF

# RIM AND TIRE ASM-270/80R32.RH

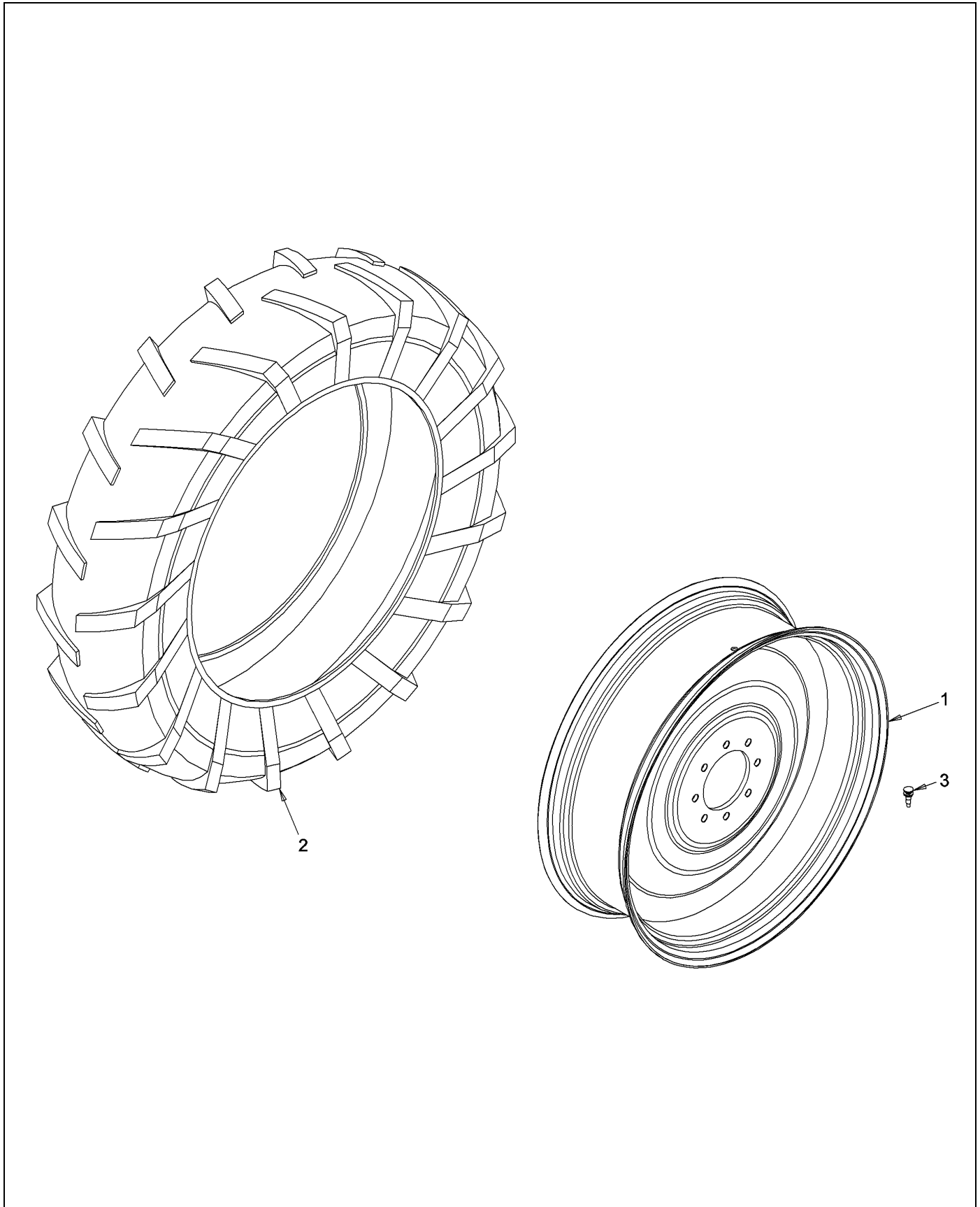
ITEM	PART #	QTY	DESCRIPTION	COMMENTS
1	AG623019	1	RIM-W10X32,8HOLES,320FS,CH	
2	E511047	1	VALVE-AIR,TIRE,16MM HOLE	
3	E862015	1	TIRE-270/80R32,CONTINENTAL	



623014-A-01.TIF

# TIRE INSTL-270/95R32,CH

ITEM	PART #	QTY	DESCRIPTION	COMMENTS
1	AG623015	1	RIM & TIRE ASM-270/95R32,LH	SEE PAGE 4-14
2	AG623016	1	RIM & TIRE ASM-270/95R32,RH	SEE PAGE 4-15

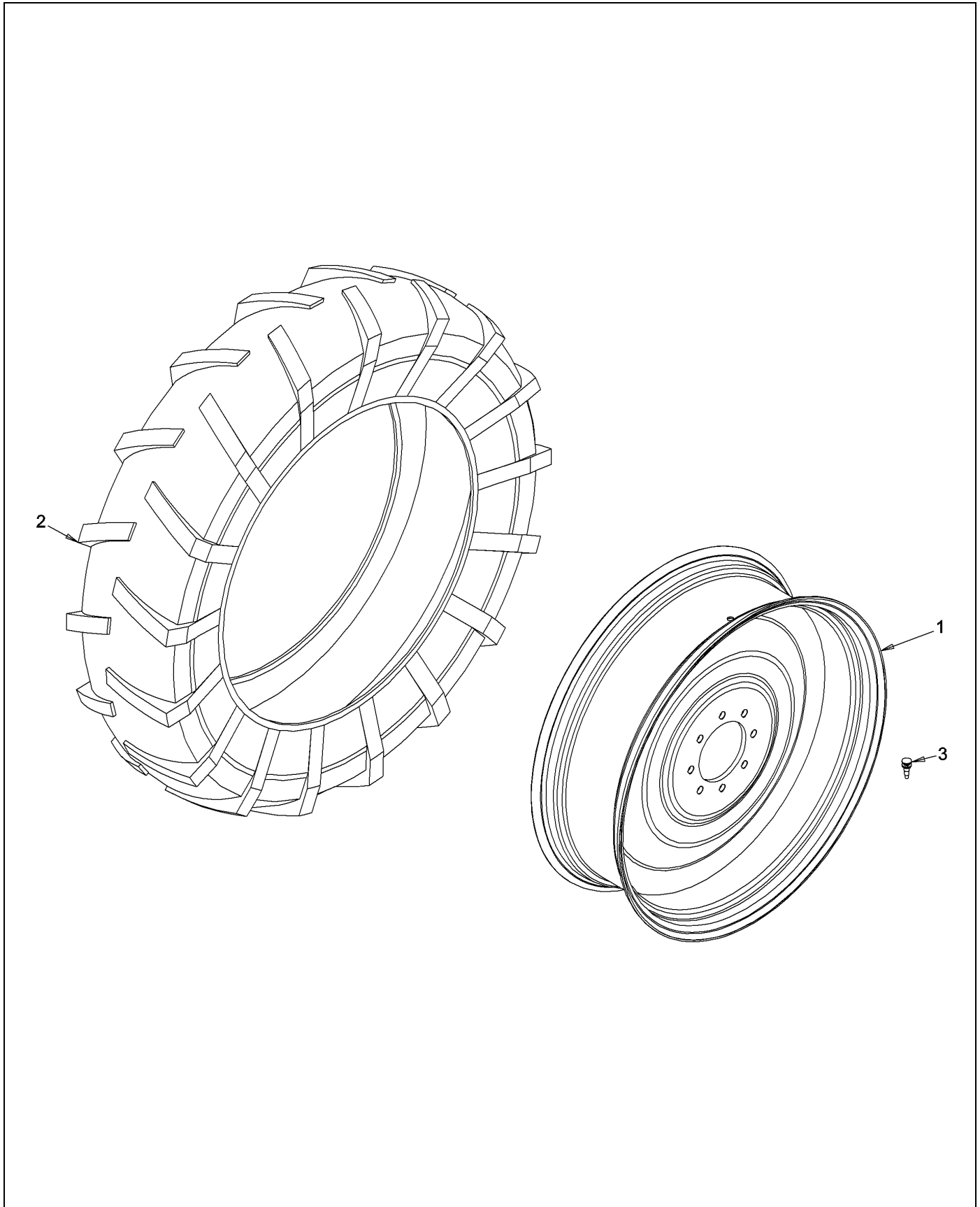


623015-A-01.TIF



# RIM AND TIRE ASM-270/95R32,LH

ITEM	PART #	QTY	DESCRIPTION	COMMENTS
1	AG623019	1	RIM-W10X32,8HOLES,320FS,CH	
2	E001015	1	TIRE-270/95R32,SUPER3,KLEBER	
3	E511047	1	VALVE-AIR,TIRE,16MM HOLE	



623016-A-01.TIF

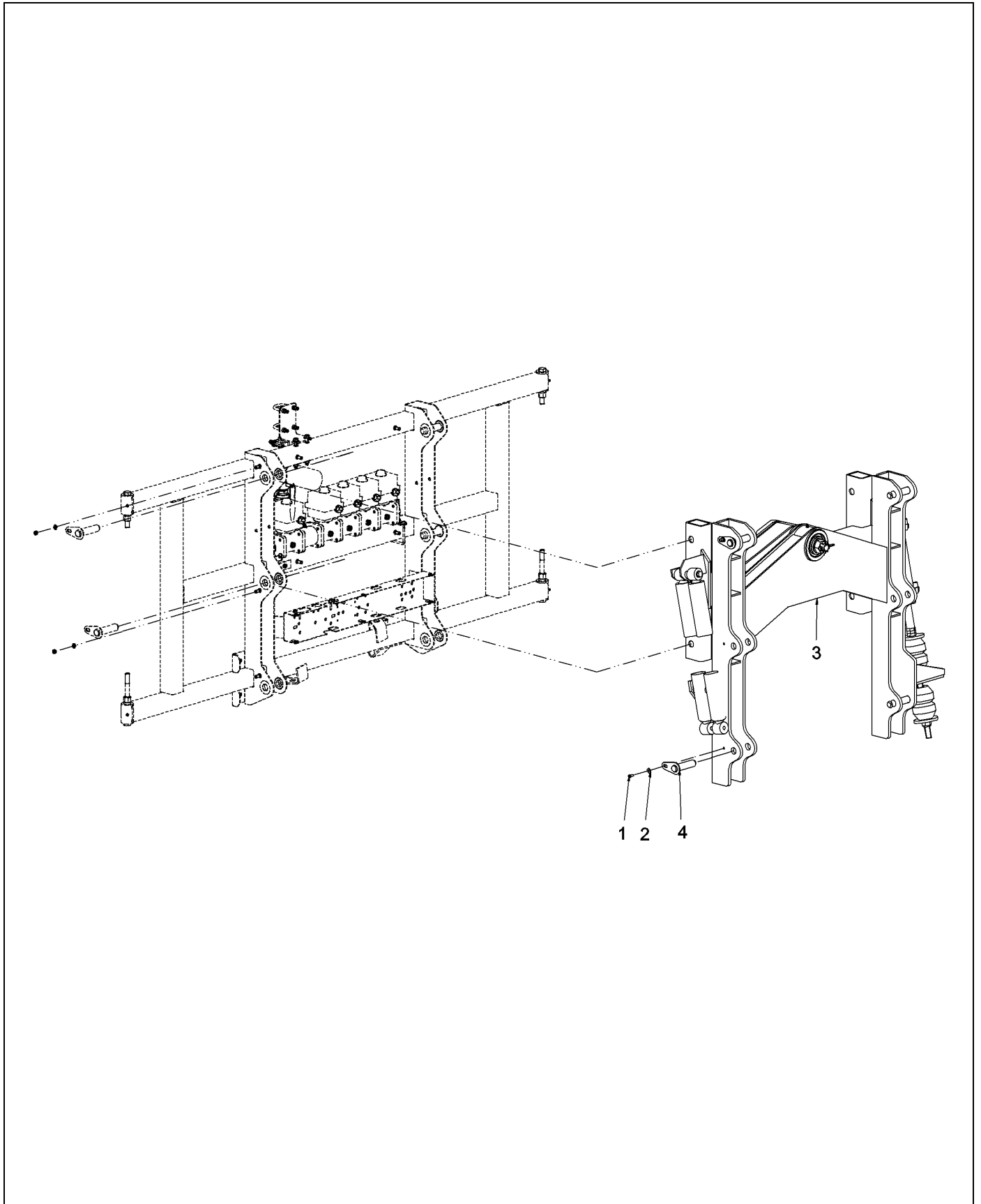
# RIM AND TIRE ASM-270/95R32,RH

ITEM	PART #	QTY	DESCRIPTION	COMMENTS
1	AG623019	1	RIM-W10X32,8HOLES,320FS,CH	
2	E001015	1	TIRE-270/95R32,SUPER3,KLEBER	
3	E511047	1	VALVE-AIR,TIRE,16MM HOLE	

FRAME INSTL-TILT,ACE,SC3/4X50	5-1
FRAME ASM-TILT,ACE,SC3/4X50	5-2
CYLINDER-HYD,D30/50/200/375MM	5-3
FRAME ASM-TILT,ACE,SC7X50	5-4
FRAME ASM-TILT,ACE,SC7X50	5-5
FRAME ASM-TILT,ACE,SC7X50	5-6
FRAME ASM-TILT,ACE,SC7X50	5-7
FRAME ASM-TILT,ACE,SC7X50	5-8
CYLINDER ASM-BLOCKING,TILT FR	5-9
CYLINDER-HYD,D20/40/90/289MM	5-10
CYLINDER ASM-TILT,TILT FRAME	5-11
MANIFOLD ASM-TILT FRAME,ACE,SC	5-12
HYD COMPONENT INSTL-TILTFRAME	5-13
FRAME INSTL-TILT,ACE,SC7X50	5-14
PLUMBING INSTL-TILT FR,SC7X50	5-15

---



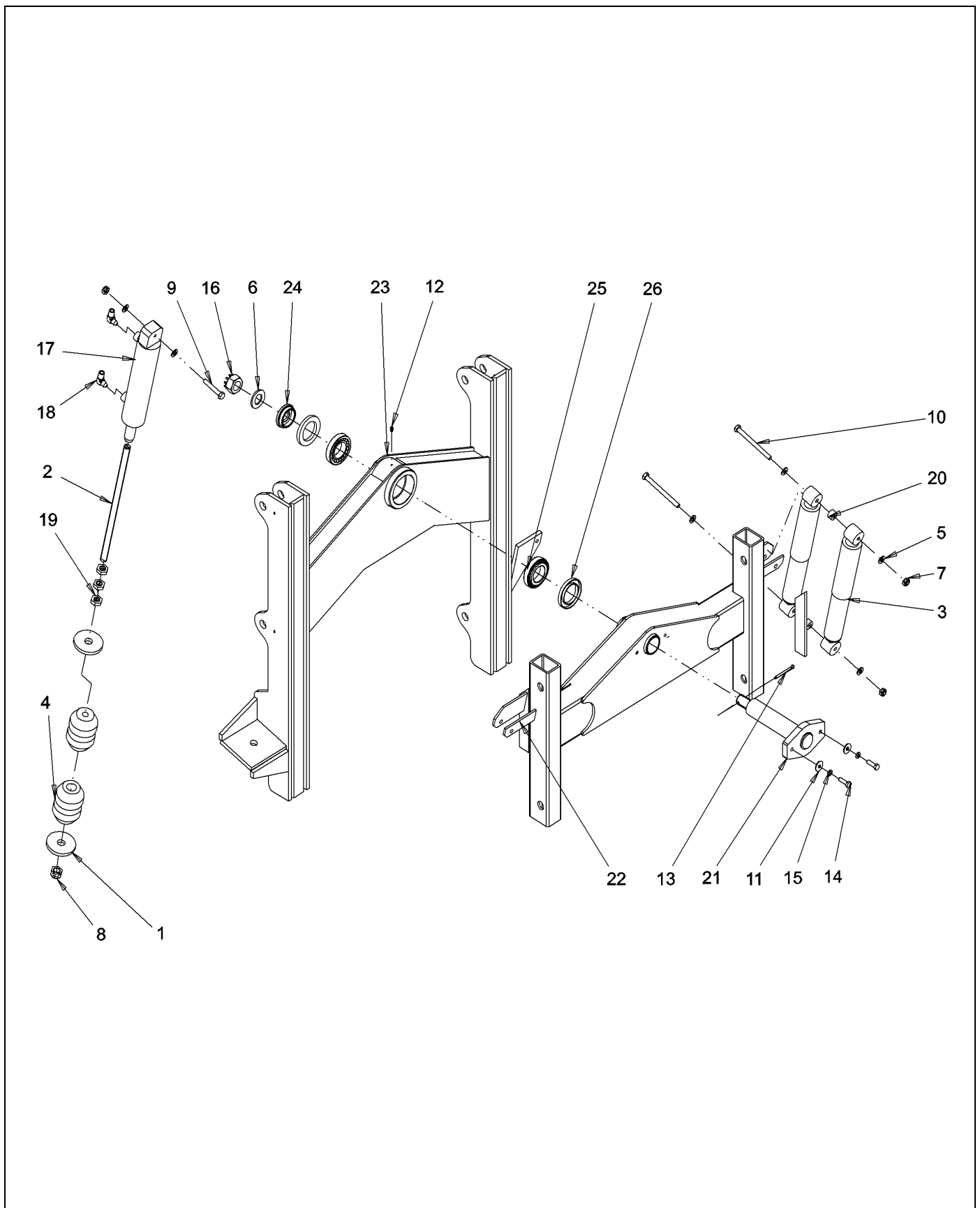


611103-B-01.TIF

# FRAME INSTL-TILT,ACE,SC3/4X50

ITEM	PART #	QTY	DESCRIPTION	COMMENTS
1	E105002	4	BOLT-M6X16,,,SS,ISO4017	
2	E105471	4	WASHER-M6X18X1.6,SS,ISO7093	
3	E552595	1	FRAME ASM-TILT,ACE,SC3/4x50	SEE PAGE 5-2
4	6618836	4	PIN WLDMT-25.3MM ODX100.5MM	

# FRAME ASM-TILT,ACE,SC3/4X50

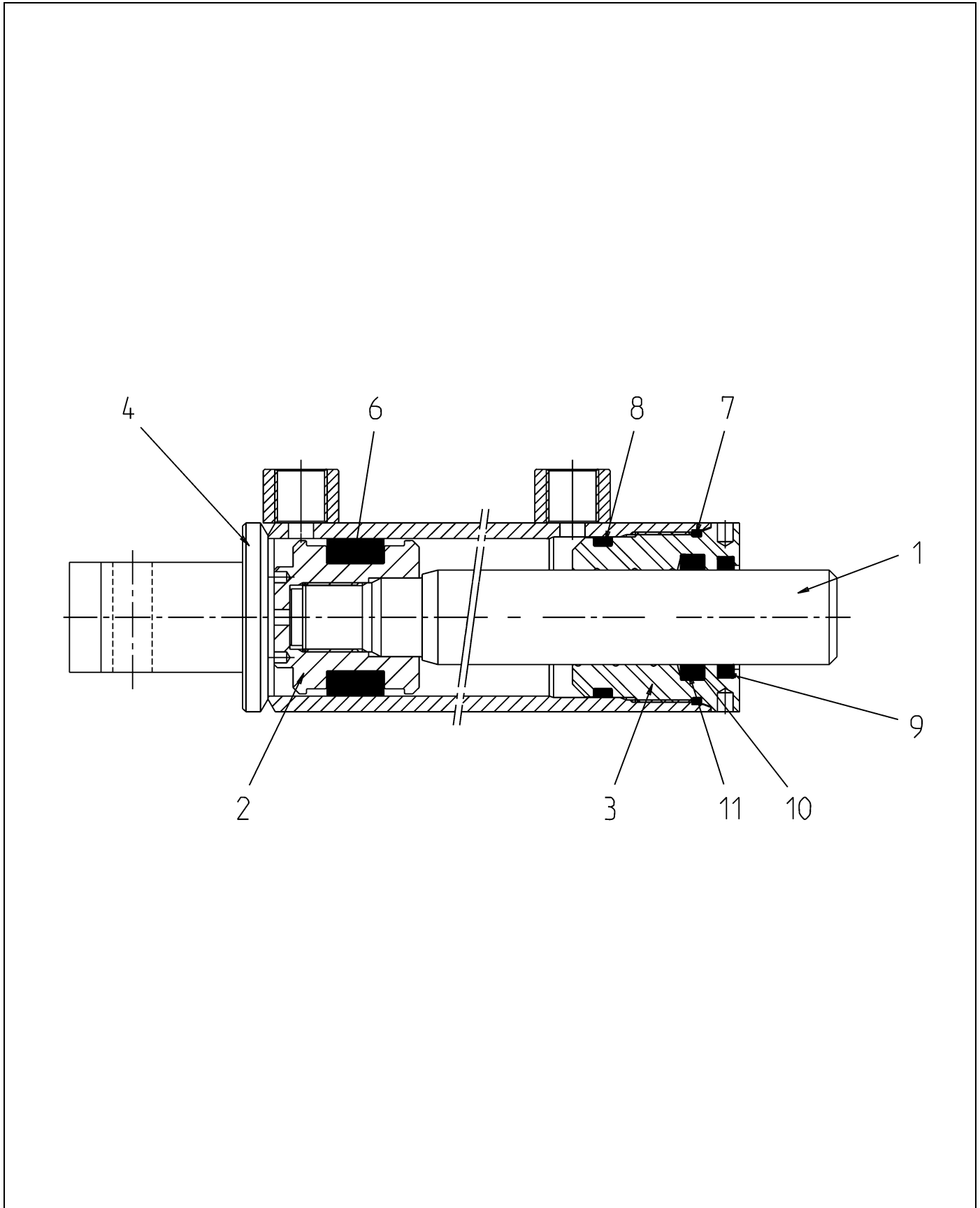


E552595-B-01.TIF



# FRAME ASM-TILT,ACE,SC3/4X50

ITEM	PART #	QTY	DESCRIPTION	COMMENTS
1	AG236575	2	WASHER-FLAT,88.9MM OD,9.5MM	
2	AG612743	1	ROD-THREADED,M20X450,,,SS	
3	E000963	2	ABSORBER-SHOCK,230801	
4	E000976	2	BUMPER-AEON,120X85MM OD	
5	E100015	6	WASHER-M12,,,ISO7089	
6	E100023	1	WASHER-M30,,,ISO7089	
7	E100039	3	NUT-M12,8,,,ISO7040	
8	E100043	1	NUT-M20,8,,,ISO7040	
9	E100291	1	BOLT-M12X70,8.8,,,ISO4014	
10	E100299	2	BOLT-M12X140,8.8,,,ISO4014	
11	E102070	2	WASHER-M10,SS,ISO7093	
12	E103002	1	FITTING-LUBE,180DEG,M6	
13	E104011	1	PIN-COTTER,6.3X63MM	
14	E105054	2	BOLT-M10X35,,,SS,ISO4017	
15	E105332	2	WASHER-M10,SS,DIN127B	
16	E105390	1	NUT-M30X1.5,8,,,CASTLE NUT	
17	E231351	1	CYLINDER-HYD,D30/50/200/375MM	SEE PAGE 5-3
18	E240066	2	ELBOW-90DEG,HC 3/8JICX3/8BSP	
19	E503020	3	NUT-M20X2.0,4,,,ISO8675	
20	E552334	2	BUSHING-SPACER,12.6MM ID,15MM	
21	E552593	1	PIN WLDMT-50MM ODX211MM	
22	E552594	1	FRAME WLDMT-TILT,FRONT (MOD)	
23	E558882	1	FRAME WLDMT-TILT,REAR (MOD)	
24	E558883	1	BUSHING-TENSIONING,TILTFRAME	
25	E600391	2	BEARING-CONE,30210AFAG	
26	E600392	2	RING-SEAL,60IDX90ODX10MM,CC	

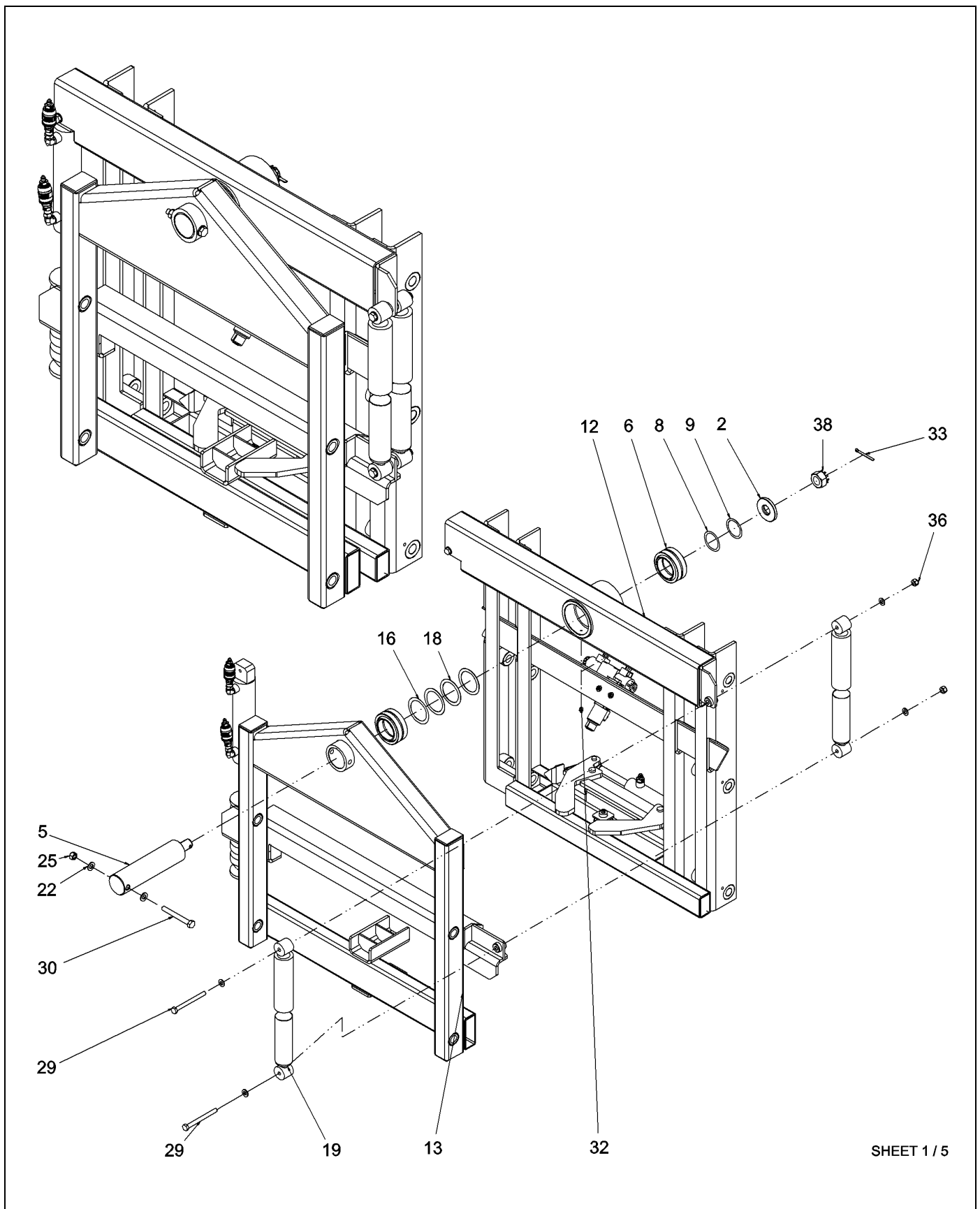


E231351-A-P271-1.TIF

# CYLINDER-HYD,D30/50/200/375MM

ITEM	PART #	QTY	DESCRIPTION	COMMENTS
1	AG615644	1	ROD-CYL E231351	
2	AG615645	1	PISTON-CYL E231351	
3	AG615646	1	PLUNGER-CYL E231351	
4	AG615647	1	TUBE WLDMT-CYL E231351	
5	AG615648	1	KIT-SEAL,CYL E231351	
	FOOTNOTE		ITEMS 7-11 CANNOT BE PURCHASED INDIVIDUALLY, BUT ARE INCLUDED IN THE SEAL KIT.	
	FOOTNOTE		ITEM 6 IS INCLUDED IN THE SEAL KIT, BUT CAN ALSO BE PURCHASED INDIVIDUALLY.	
	FOOTNOTE		ITEM 6: PISTON SEAL E231051	
	FOOTNOTE		ITEM 7: O-RING	
	FOOTNOTE		ITEM 8: O-RING	
	FOOTNOTE		ITEM 9: WIPER	
	FOOTNOTE		ITEM 10: BACK-UP SEAL	
	FOOTNOTE		ITEM 11: ROD SEAL	

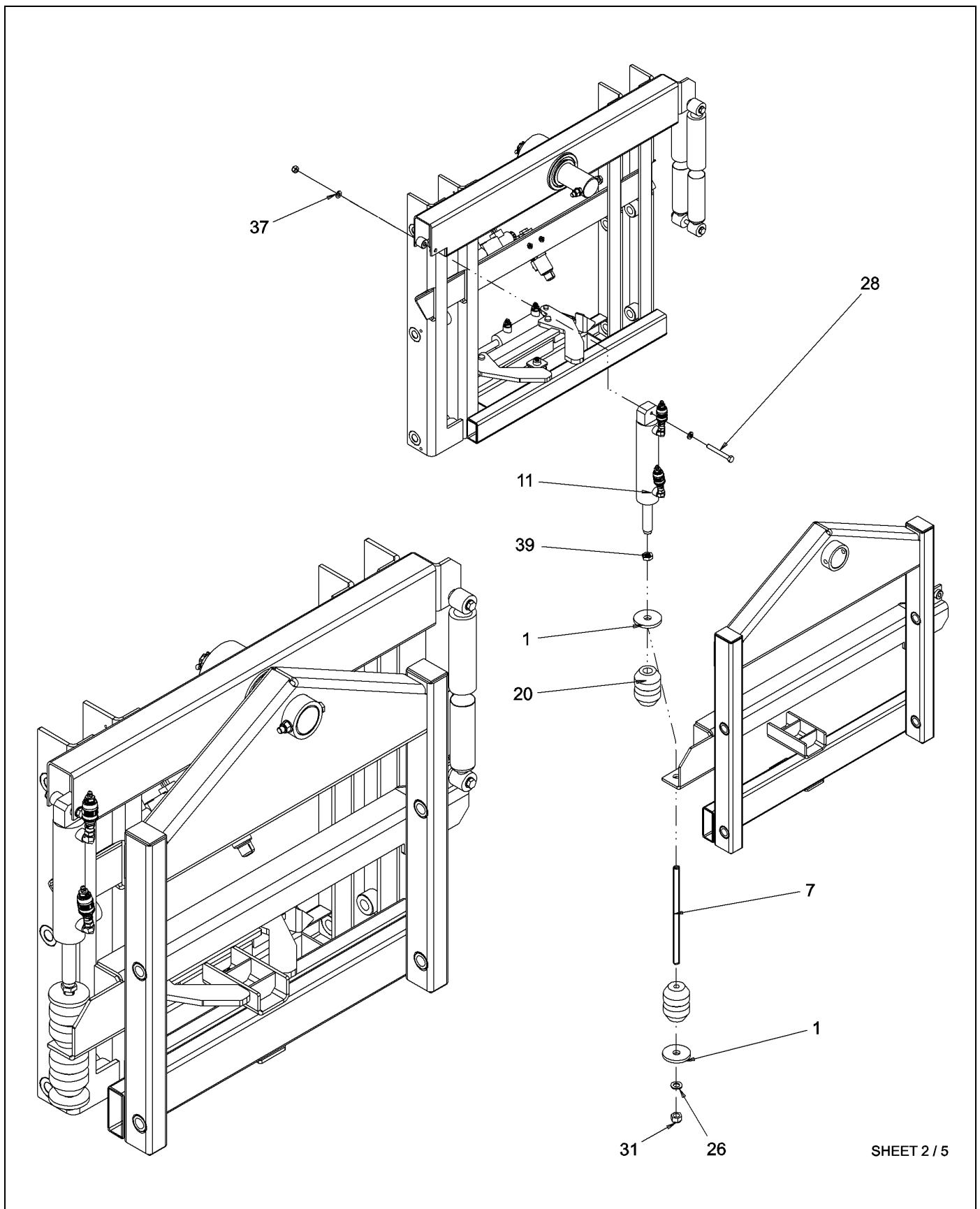
# FRAME ASM-TILT,ACE,SC7X50



613765-F-01.TIF

# FRAME ASM-TILT,ACE,SC7X50

ITEM	PART #	QTY	DESCRIPTION	COMMENTS
2	AG611191	1	RING-STRAINING,FRAM,PENDEL	
5	AG611368	1	PIN PIVOT-70MM ODX320MM	
6	AG611808	2	BEARING-SPHERICAL,GE70DO-2RS	
8	AG612826	1	SHIM-55X68X0.1,DIN988	
9	AG612827	1	SHIM-55X68X0.5,DIN988	
12	AG613766	1	FRAME WLDMT-TILT,FRONT	
13	AG613767	1	FRAME WLDMT-TILT,REAR	
16	AG613791	2	SHIM-70X90X0.5,DIN988	
18	AG690085	2	SHIM-70X90X1MM,DIN988	
19	E000963	2	ABSORBER-SHOCK,230801	
22	E100016	2	WASHER-M14,,ISO7089	
25	E100040	1	NUT-M14,8,,ISO7040	
29	E100298	2	BOLT-M12X130,8.8,,ISO4014	
30	E100319	1	BOLT-M14X120,8.8,,ISO4014	
32	E103020	3	FITTING-LUBE,180DEG,1/8BSP	
33	E104011	1	PIN-COTTER,6.3X63MM	
36	E105165	3	NUT-M12,,SS,DIN985	
38	E105390	1	NUT-M30X1.5,8,,CASTLE NUT	

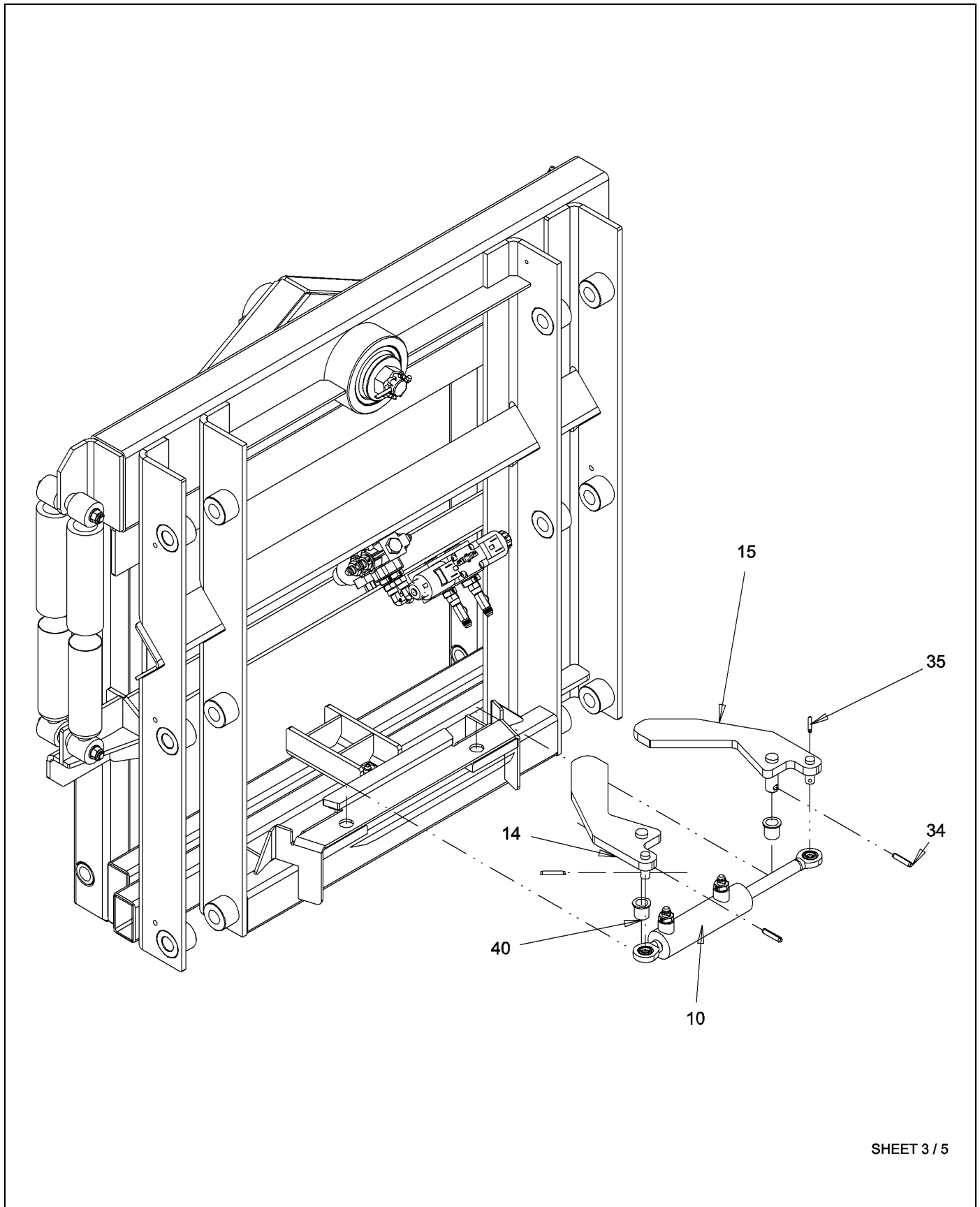


SHEET 2 / 5

613765-F-02.TIF

# FRAME ASM-TILT,ACE,SC7X50

ITEM	PART #	QTY	DESCRIPTION	COMMENTS
1	AG236575	2	WASHER-FLAT,88.9MM OD,9.5MM	
7	AG612743	1	ROD-THREADED,M20X450,,,SS	
11	AG613244	1	CYLINDER ASM-TILT,TILT FRAME	SEE PAGE 5-11
20	E000976	2	BUMPER-AEON,120X85MM OD	
26	E100060	1	WASHER-M20,,,SS,ISO7089	
28	E100295	1	BOLT-M12X100,8.8,,,ISO4014	
31	E101469	1	NUT-M20,,,SS,ISO7040	
37	E105320	6	WASHER-M12,SS,ISO7089	
39	E503020	1	NUT-M20X2.0,4,,,ISO8675	



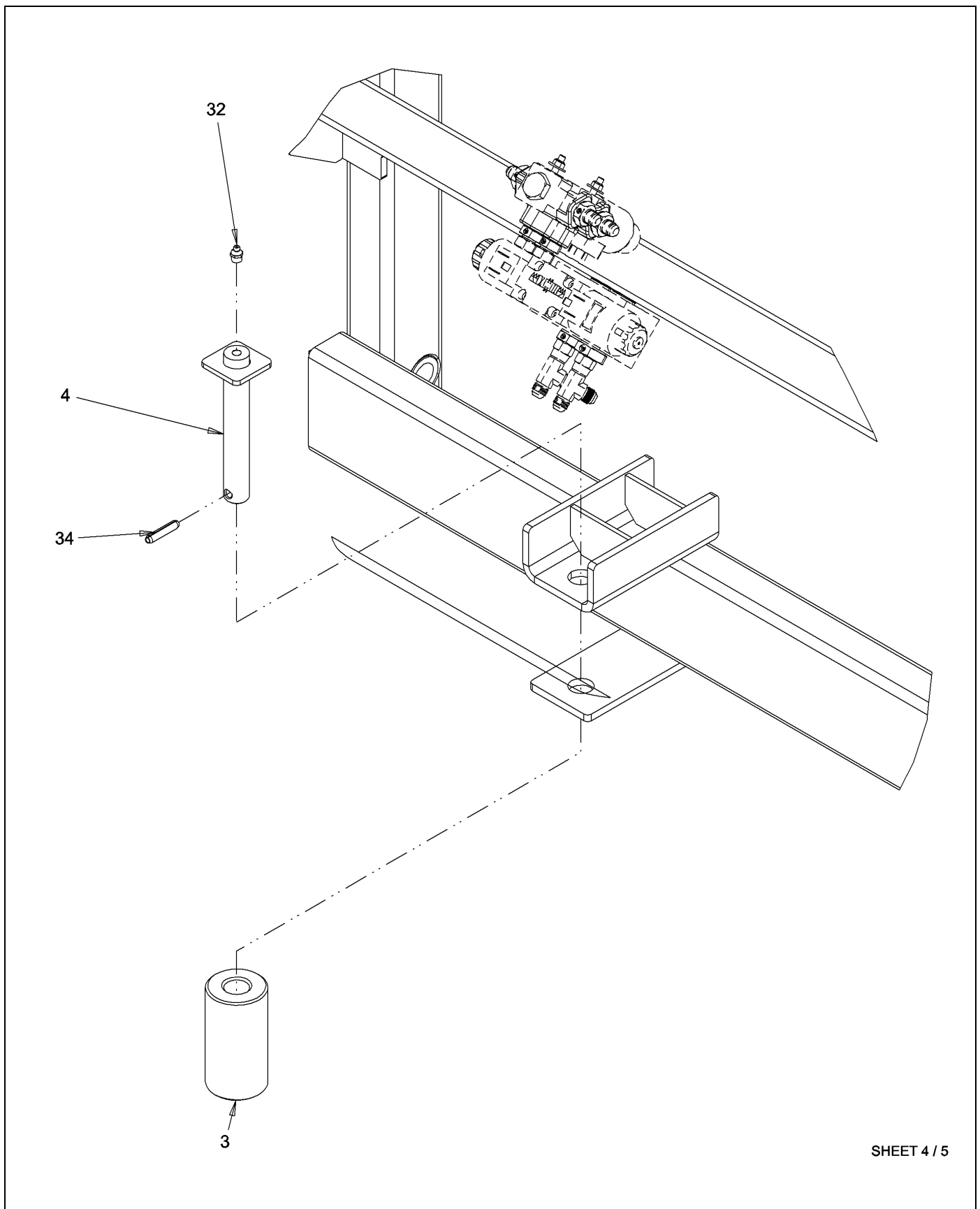
SHEET 3 / 5

613765-F-03.TIF



# FRAME ASM-TILT,ACE,SC7X50

ITEM	PART #	QTY	DESCRIPTION	COMMENTS
10	AG613243	1	CYLINDER ASM-BLOCKING,TILT FR	SEE PAGE 5-9
14	AG613768	1	BLOCKING WLDMT-TILTFRAME,LH	
15	AG613769	1	BLOCKING WLDMT-TILTFRAME,RH	
34	E104055	3	PIN-ROLL,8.0X40MM	
35	E104067	2	PIN-ROLL,6.0X40MM	
40	E503035	2	BEARING-BUSH,NYLON,20X24X26	

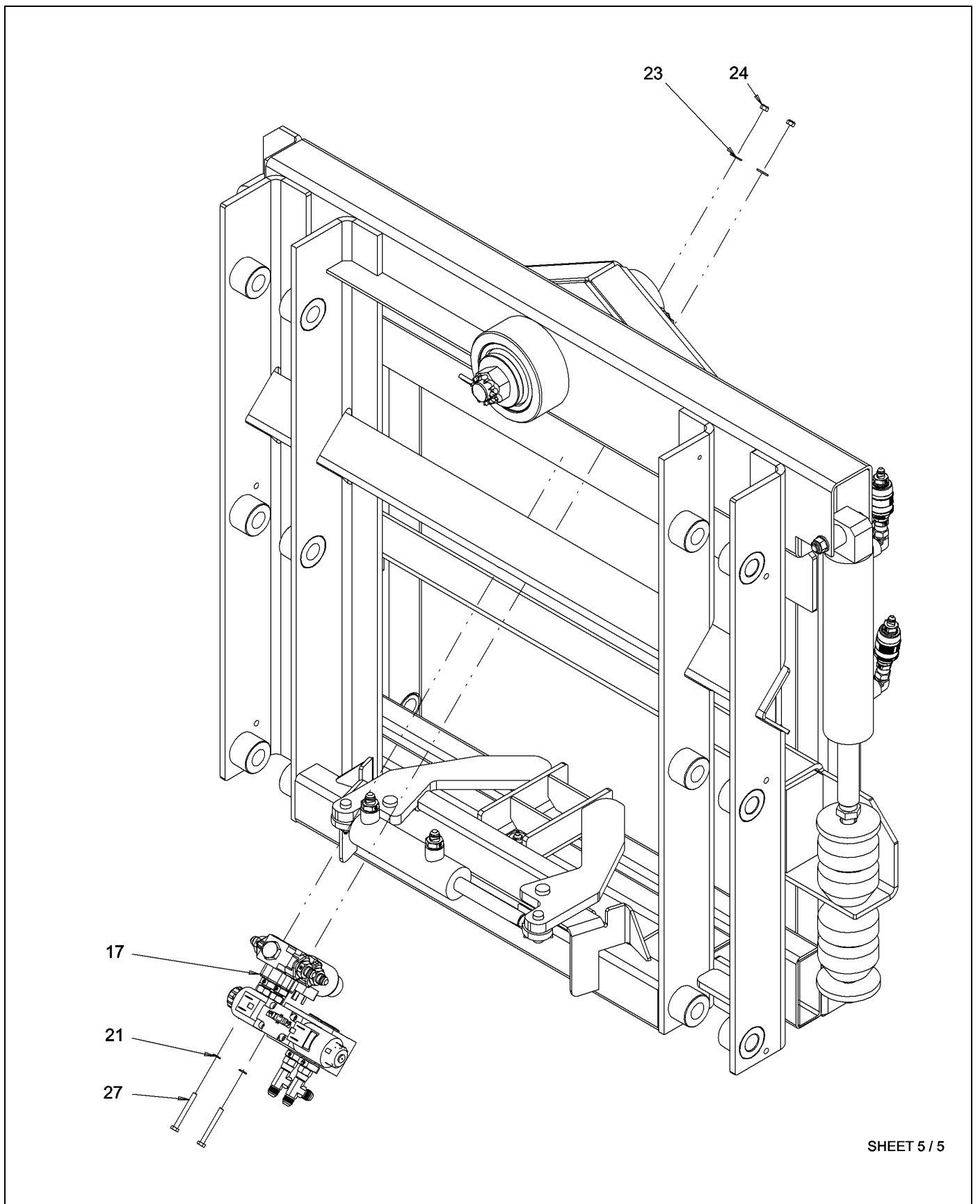


SHEET 4 / 5

613765-F-04.TIF

# FRAME ASM-TILT,ACE,SC7X50

ITEM	PART #	QTY	DESCRIPTION	COMMENTS
3	AG611359	1	BUSHING-POM,60 OD,25 ID,120MM	
4	AG611366	1	PIN WLDMT-25MM ODX155	
32	E103020	3	FITTING-LUBE,180DEG,1/8BSP	
34	E104055	3	PIN-ROLL,8.0X40MM	

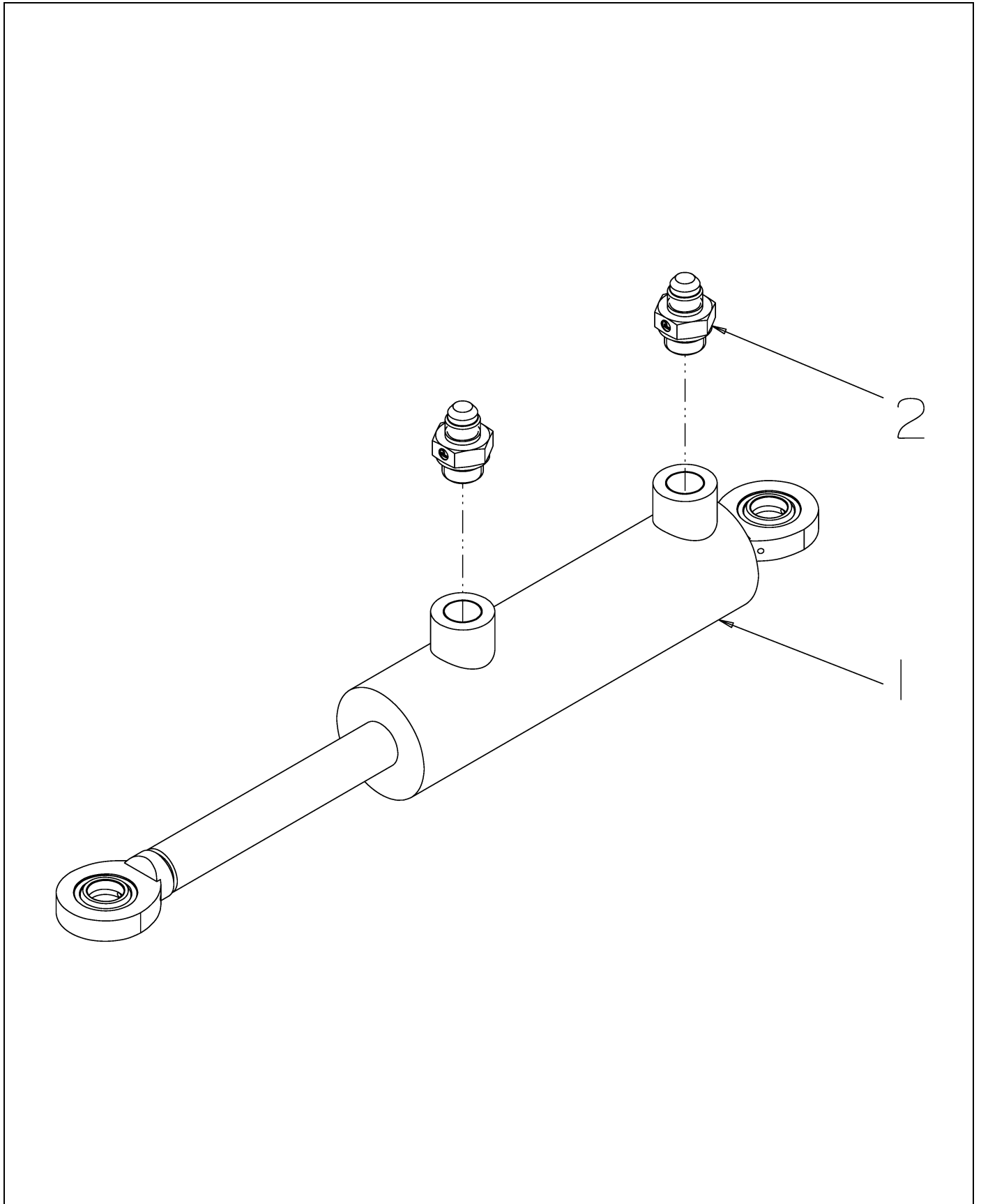


613765-F-05.TIF

# FRAME ASM-TILT,ACE,SC7X50

ITEM	PART #	QTY	DESCRIPTION	COMMENTS
17	AG613966	1	MANIFOLD ASM-TILT FRAME,ACE,SC	SEE PAGE 5-12
21	E100012	2	WASHER-M6,,ISO7089	
23	E100024	2	WASHER-M6,,ISO7093	
24	E100036	2	NUT-M6,8,,DIN985	
27	E100235	2	BOLT-M6X55,8.8,,ISO4014	

# CYLINDER ASM-BLOCKING,TILT FR

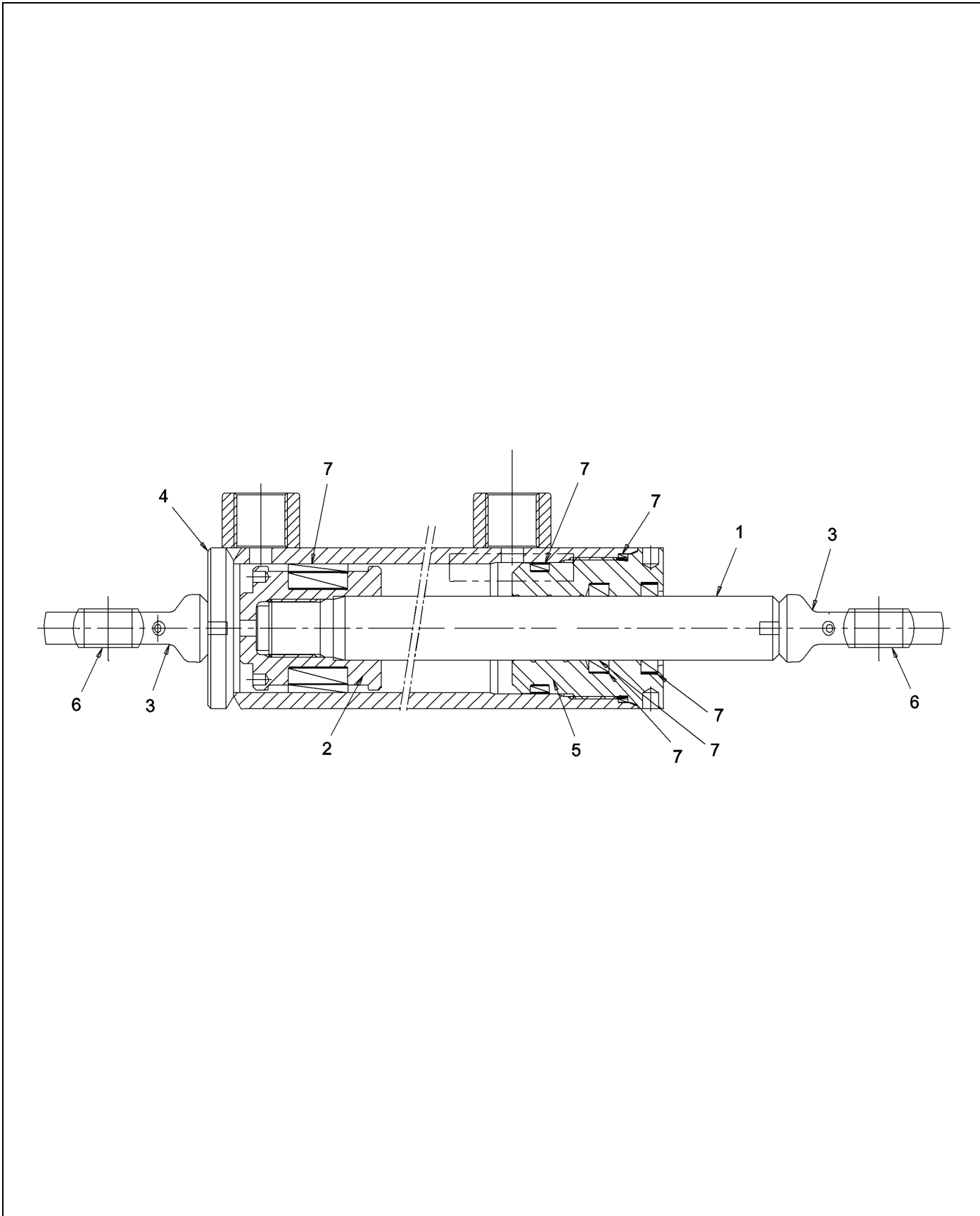


613243-A-P017.TIF

# CYLINDER ASM-BLOCKING,TILT FR

ITEM	PART #	QTY	DESCRIPTION	COMMENTS
1	AG611365	1	CYLINDER-HYD,D20/40/90/289MM	SEE PAGE 5-10
2	E240020	2	ADAPTER-STR,RC 3/8JICX3/8BSP	

CYLINDER-HYD,D20/40/90/289MM



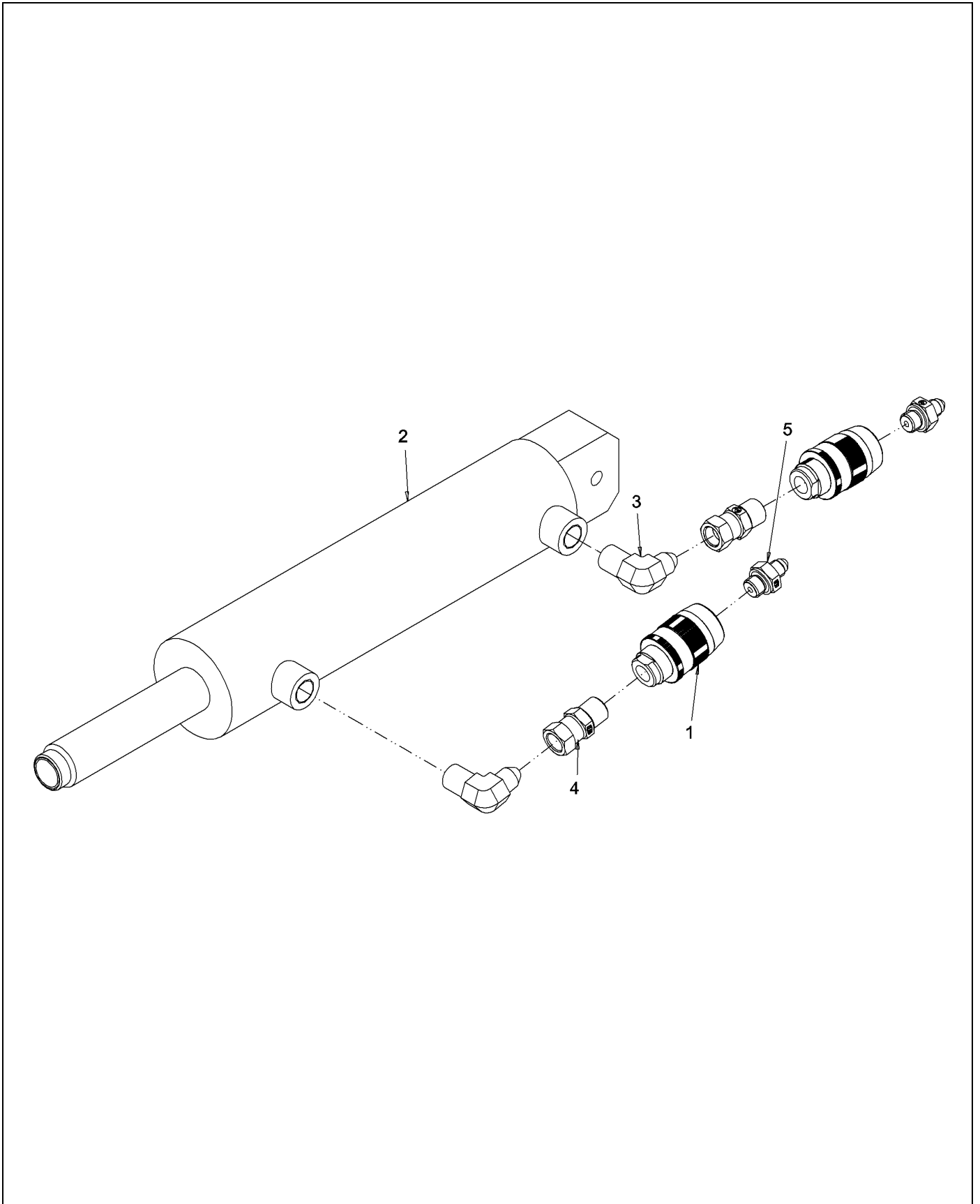
611365-A-02.TIF



# CYLINDER-HYD,D20/40/90/289MM

ITEM	PART #	QTY	DESCRIPTION	COMMENTS
1	AG615909	1	ROD-CYL 611365	
2	AG615911	1	PISTON-CYL 611365	
3	E231612	2	END-BASE,WELD,GK15DO	
4	AG615908	1	TUBE WLDMT-CYL 611365	
5	AG615910	1	PLUNGER-CYL 611365	
6	AG611257	2	END-ROD,WELD,GE15ES	
7	AG611571	1	KIT-SEAL,CYL 611365	

# CYLINDER ASM-TILT,TILT FRAME

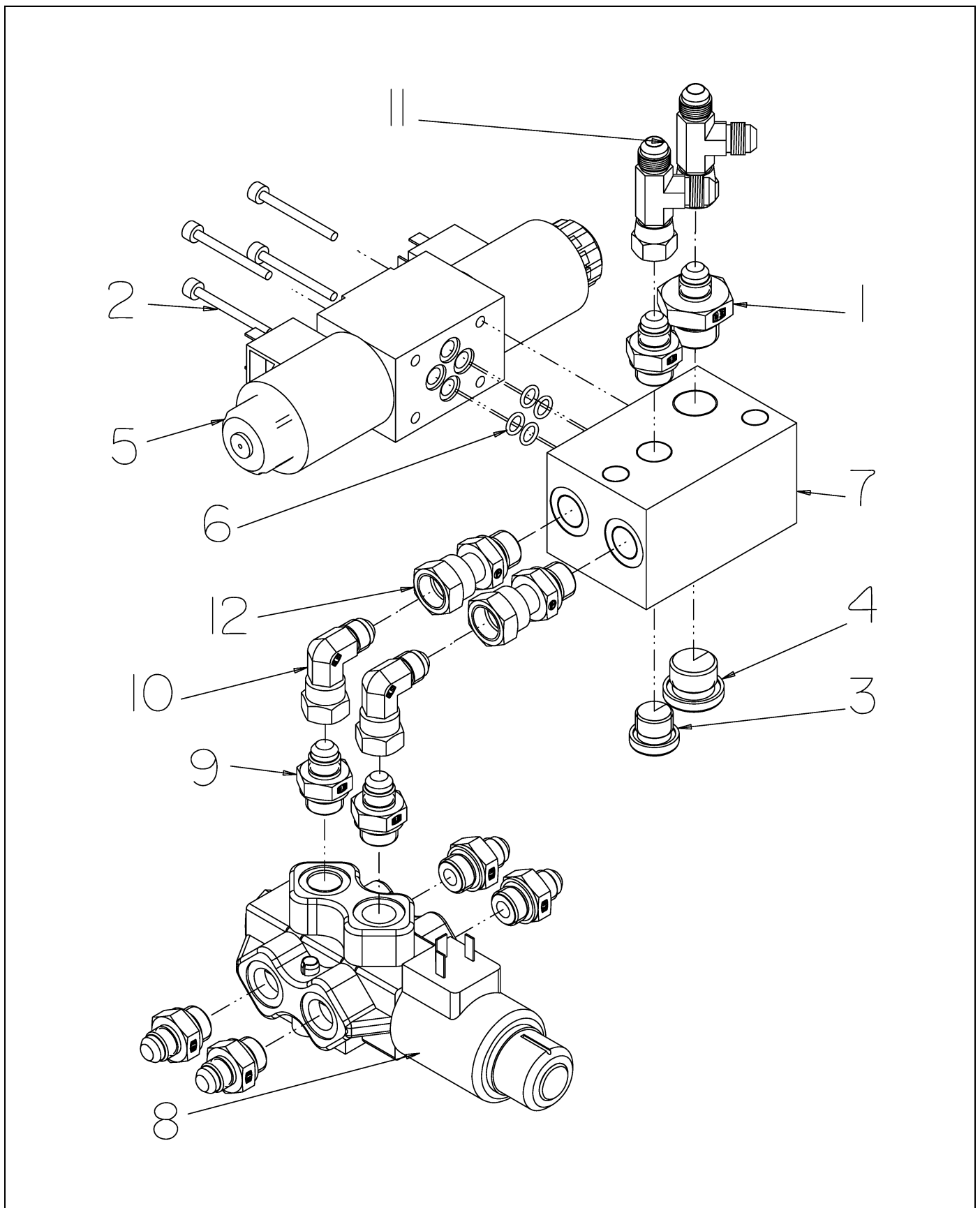


613244-B-01.TIF

# CYLINDER ASM-TILT,TILT FRAME

ITEM	PART #	QTY	DESCRIPTION	COMMENTS
1	E231073	2	VALVE-FLOW CONTROL,1/4FBSP	
2	E231351	1	CYLINDER-HYD,D30/50/200/375MM	SEE PAGE 5-3
3	E240066	2	ELBOW-90DEG,HC 3/8JICX3/8BSP	
4	E240133	2	ADAPTER-STR,PC 3/8JICX1/4BSP	
5	E240239	2	ADAPTER-STR,RC 3/8JICX1/4BSP	

# MANIFOLD ASM-TILT FRAME,ACE,SC

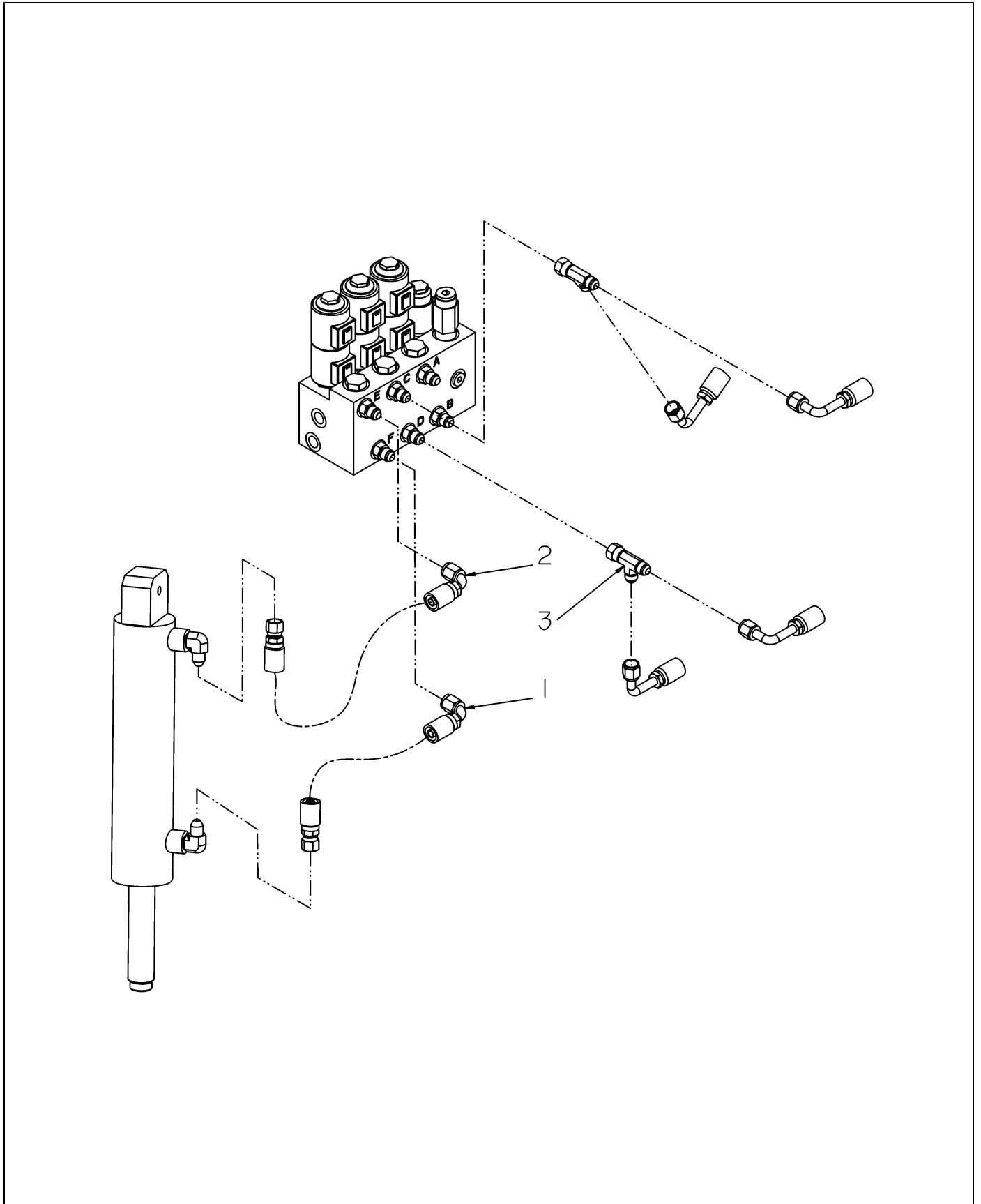


613966-A-P017-1.TIF

# MANIFOLD ASM-TILT FRAME,ACE,SC

ITEM	PART #	QTY	DESCRIPTION	COMMENTS
1	AG691271	1	ADAPTER-STR,RC 3/8JICX1/2BSP	
2	E100925	4	BOLT-M5X45,12.9,,ISO4762	
3	E200052	1	PLUG-THREAD,3/8BSP,ED	
4	E200053	1	PLUG-THREAD,1/2BSP,ED	
5	E230049	1	R/B BY 680362 VALVE-HYD,4X3,NG6,NC,12VD	
6	E230221	4	RING-QUAD,NG6	
7	E230237	1	PLATE MTG-HYD,NG6,1SECT,SIDE	
8	E231098	1	VALVE-HYD,6X2,ELEC OPR,TB20/6B	
9	E240020	7	ADAPTER-STR,RC 3/8JICX3/8BSP	
10	E240114	2	ELBOW-90DEG,HPV 3/8JIC	
11	E240121	2	TEE-FPV 3/8JIC	
12	E240232	2	ADAPTER-STR,PC 3/8JICX3/8BSP	

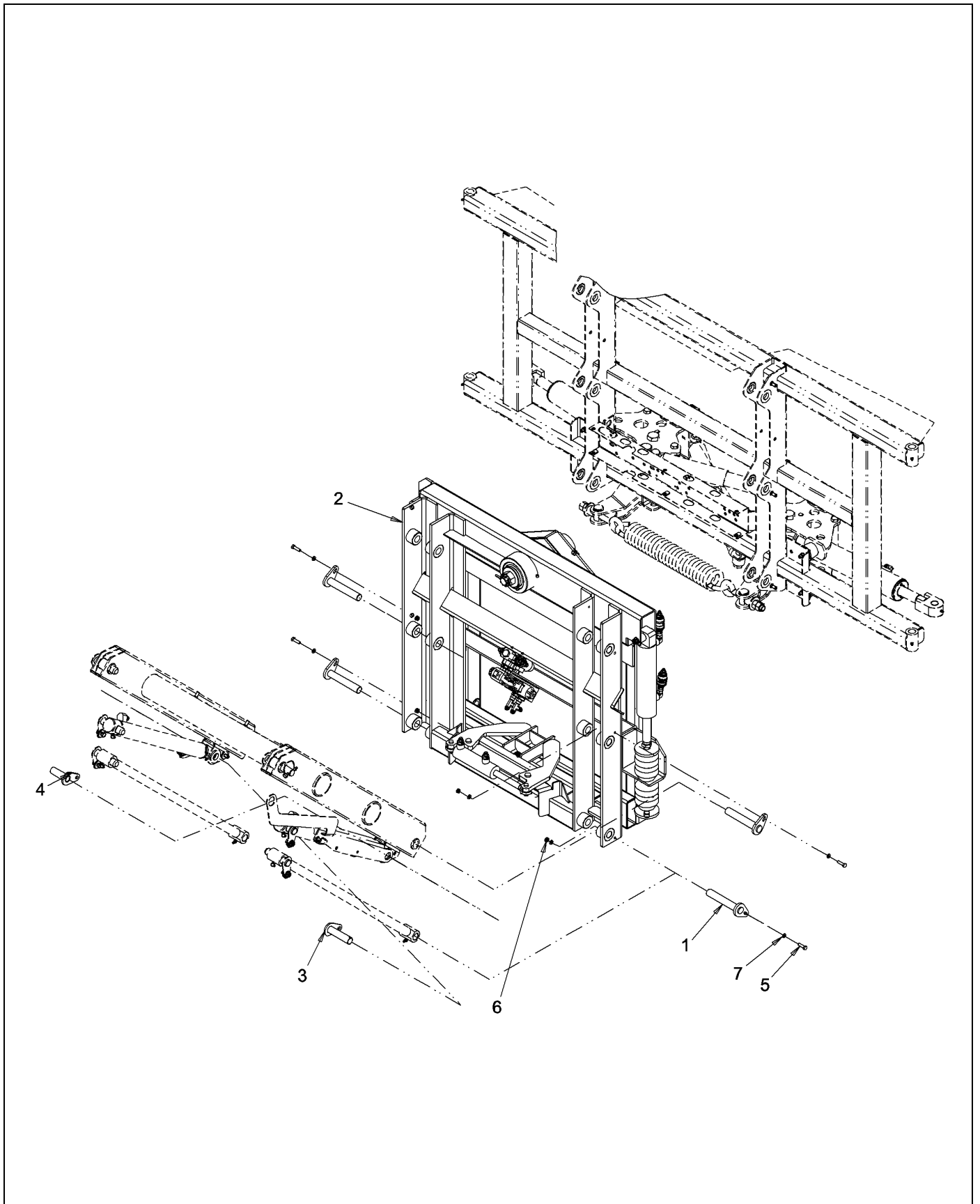
# HYD COMPONENT INSTL-TILTFRAME



611341-A-P271-1.TIF

# HYD COMPONENT INSTL-TILTFRAME

ITEM	PART #	QTY	DESCRIPTION	COMMENTS
1	E221218	1	HOSE ASM -3/8X3000,FJS90/FJS	
2	E221219	1	HOSE ASM -3/8X3200,FJS90/FJS	
3	E240121	2	TEE-FPV 3/8JIC	

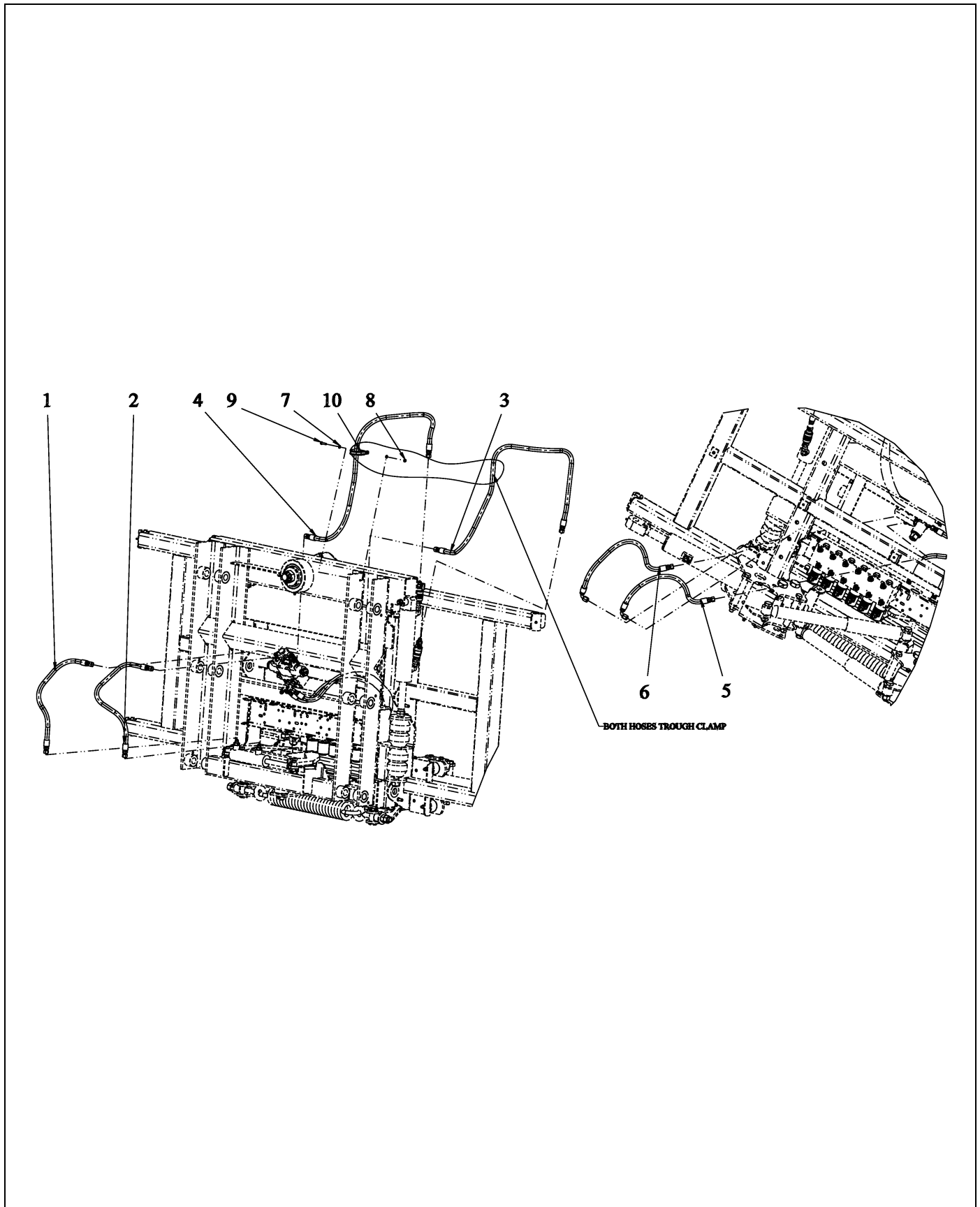


611596-F-01.TIF



# FRAME INSTL-TILT,ACE,SC7X50

ITEM	PART #	QTY	DESCRIPTION	COMMENTS
1	AG611217	4	PIN WLDMT-25.4MM ODX158MM	
2	AG613765	1	FRAME ASM-TILT,ACE,SC7x50	SEE PAGE 5-4
3	AG613771	1	PEN WLDMT-25.34X107MM	
4	AG613814	1	PEN WLDMT-25.34X77MM	
5	E105026	4	BOLT-M8X30,,,SS,ISO4017	
6	E105163	4	NUT-M8,,,SS,ISO7040	
7	E105318	8	WASHER-M8,SS,ISO7089	



611602-A-P017.TIF

# PLUMBING INSTL-TILT FR,SC7X50

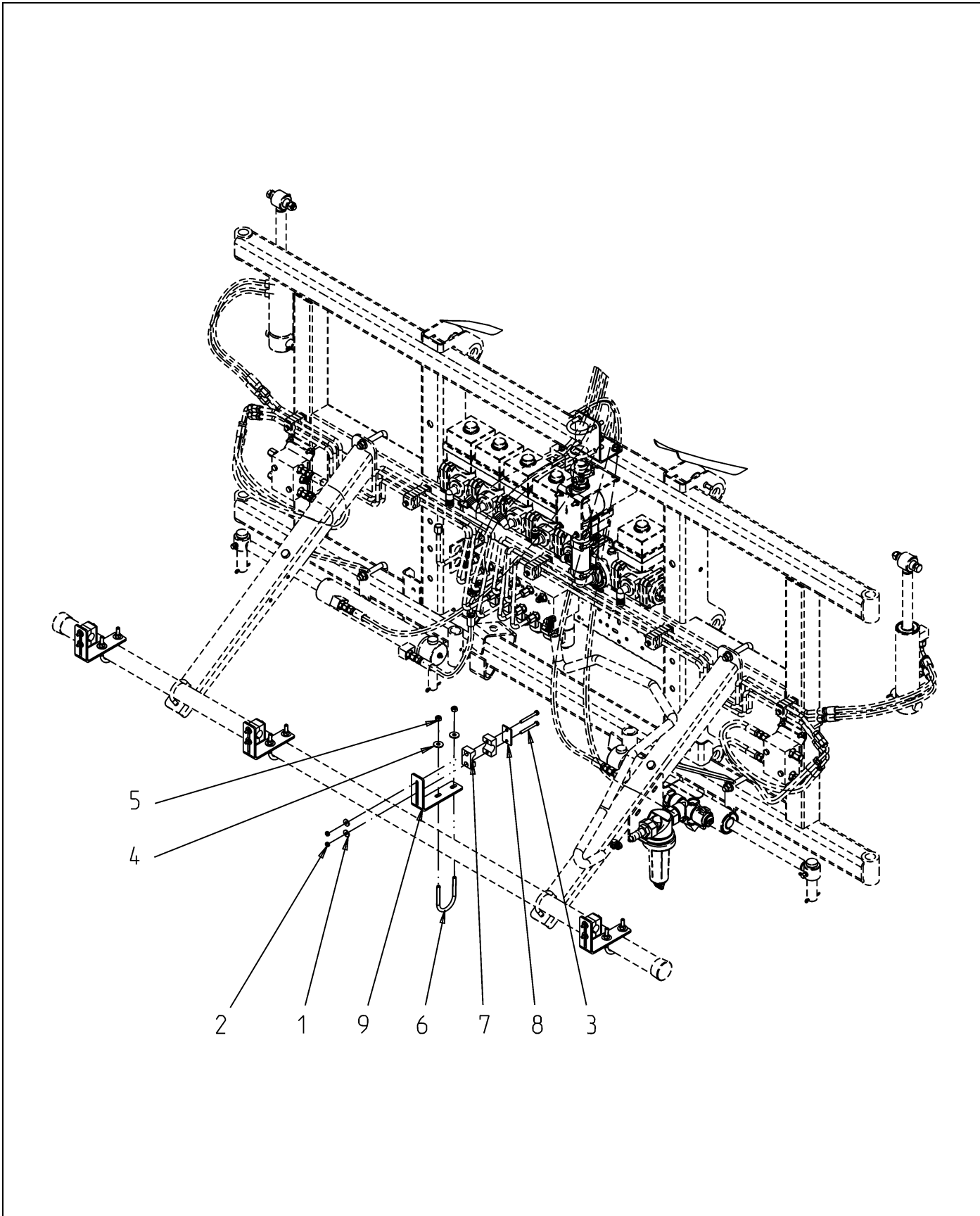
ITEM	PART #	QTY	DESCRIPTION	COMMENTS
1	AG614291	1	HOSE ASM -3/8X750,FJS/FJS	
2	AG614292	1	HOSE ASM -3/8X800,FJS/FJS	
3	AG614293	1	HOSE ASM -3/8X1350,FJS/FJS	
4	AG614294	1	HOSE ASM -3/8X1100,FJS/FJS	
5	AG614295	1	HOSE ASM -3/8X600,FJS/FJS90	
6	AG614296	1	HOSE ASM -3/8X640,FJS/FJS90	
7	E100012	2	WASHER-M6,,ISO7089	
8	E100036	1	NUT-M6,8,,DIN985	
9	E100104	1	BOLT-M6X25,8.8,,ISO4017	
10	E502209	1	CLAMP-PIPE,45MM,RUBBER	

BRACKET INSTL-SPRAYTUBE,CTR FR	6-1
BRACKET INSTL-SPTUBE,CTR FR,IN	6-2
PLATE-ASM,BULKHEAD,BOOM,RELIEF	6-3
BOOM OPT-12/24M TR4,POMMIER	6-4
BOOM OPT-12/24M TR4,POMMIER	6-5
BOOM OPT-15/28M TR4,POMMIER	6-6
BOOM OPT-15/28M TR4,POMMIER	6-7
BOOM INSTL-POMMIER,24M,SC3/4X5	6-8
BOOM INSTL-POMMIER,24M,SC3/4X5	6-9
BOOM INSTL-POMMIER,24M,SC3/4X5	6-10
BOOM INSTL-POMMIER,28M,SC3/4X5	6-11
BOOM INSTL-POMMIER,28M,SC3/4X5	6-12
BOOM INSTL-POMMIER,28M,SC3/4X5	6-13
PLATE INSTL-POM,BOOM/BOOMREST	6-14
BOOMREST INSTL-POMMIER BOOM	6-15
BREAKAWAY INSTL-POMMIER	6-16
FOLDING INSTL-24/28M BOOM	6-17
FOLDING INSTL-24/28M BOOM	6-18
FOLDING INSTL-30M BOOM	6-19
FOLDING INSTL-30M BOOM	6-20

---



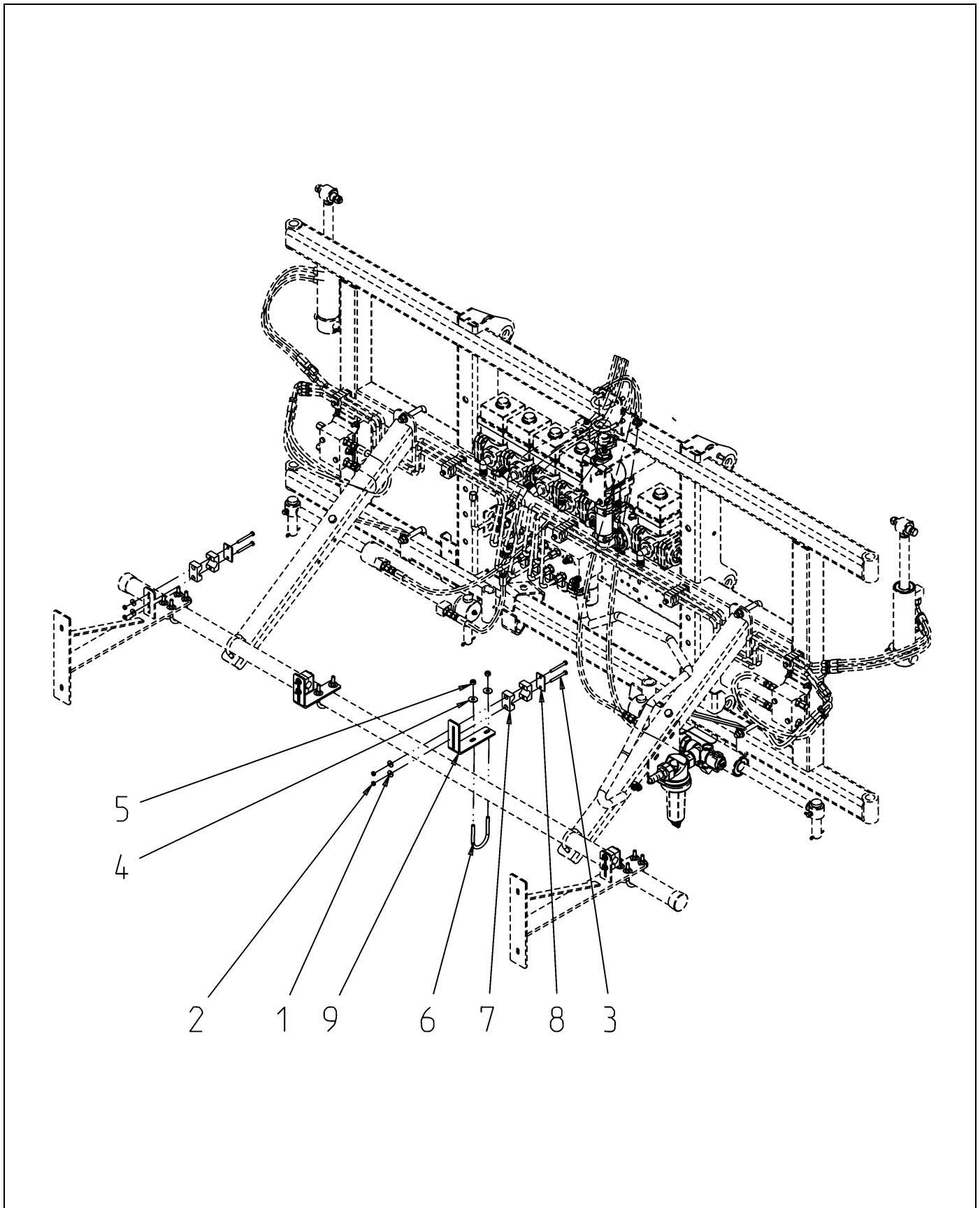
# BRACKET INSTL-SPRAYTUBE,CTR FR



611433-A-P271-1.TIF

# BRACKET INSTL-SPRAYTUBE,CTR FR

ITEM	PART #	QTY	DESCRIPTION	COMMENTS
1	E100024	8	WASHER-M6,,ISO7093	
2	E100048	8	NUT-M6,8,,DIN934	
3	E100235	8	BOLT-M6X55,8.8,,ISO4014	
4	E102068	8	WASHER-M8,SS,ISO7093	
5	E105163	8	NUT-M8,,SS,ISO7040	
6	E130546	4	BOLT-U,M8X85X57X40,GALV	
7	E220044	8	CLAMP-SINGLE,22,PP (2 PIECES)	
8	E220056	4	PLATE-COVER,CLAMP,SGL,20/22/25	
9	E558804	4	BRACKET-PLUMBING,CTR SECTION	

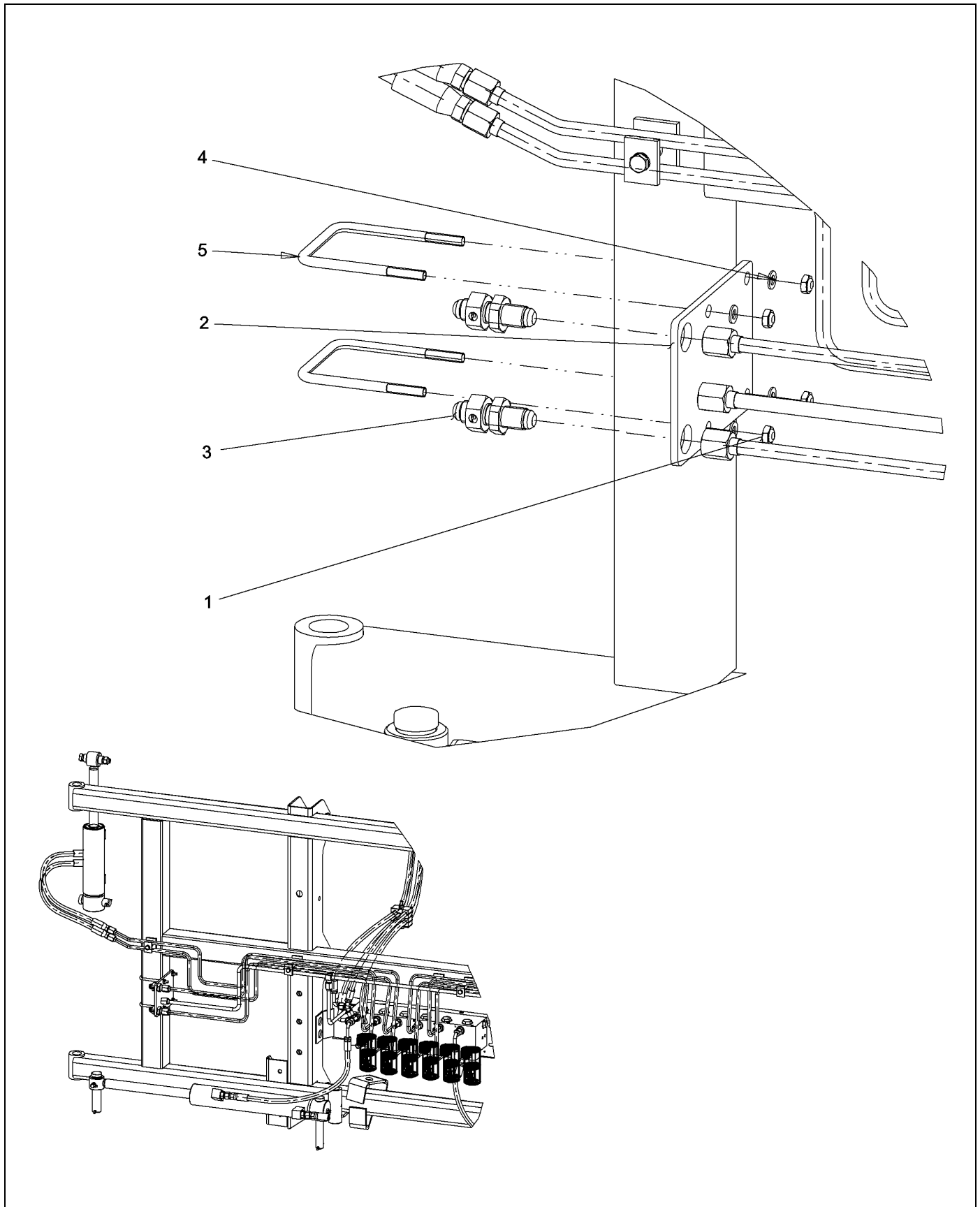


614749-A-P271-1.TIF



# BRACKET INSTL-SPTUBE,CTR FR,IN

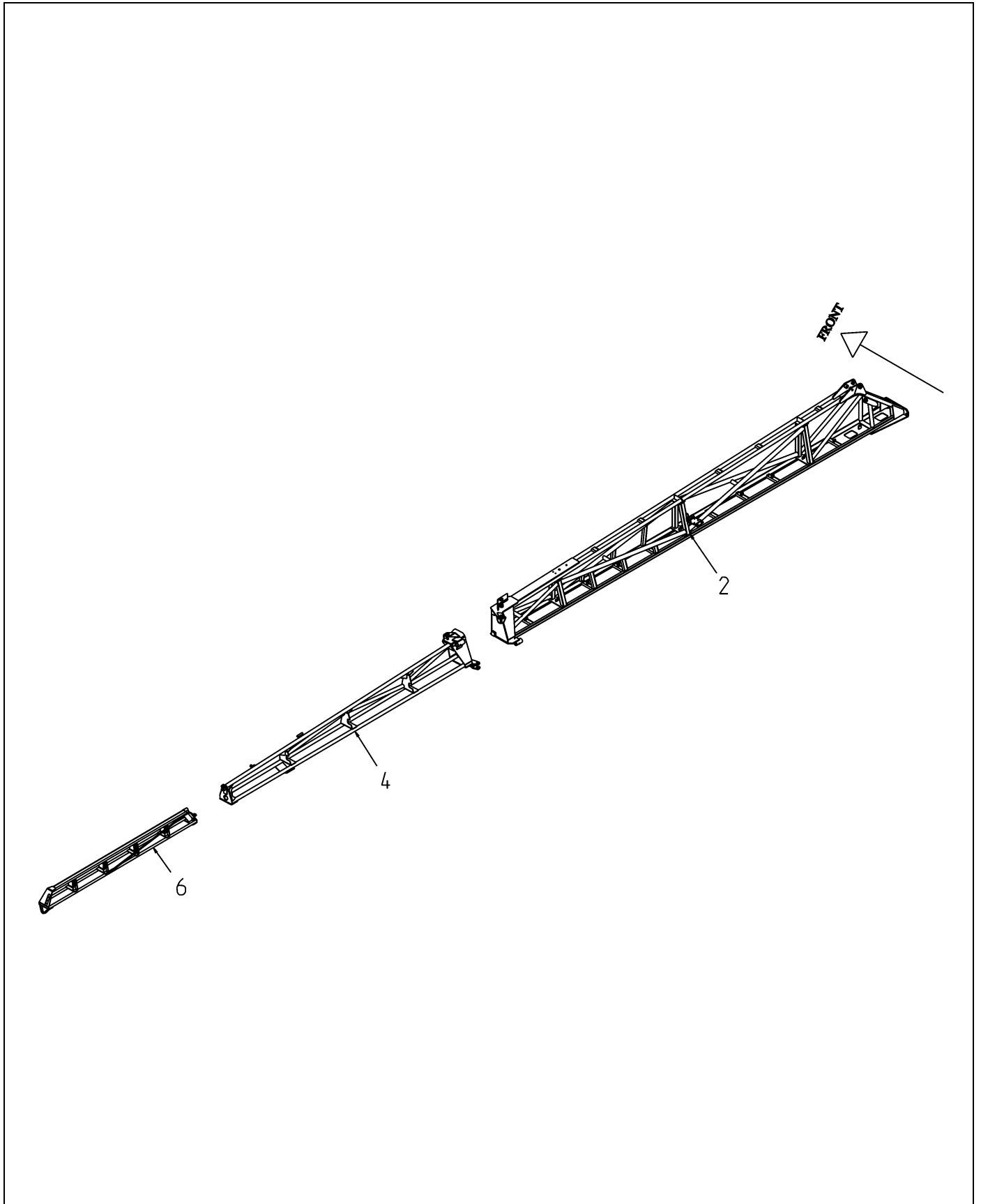
ITEM	PART #	QTY	DESCRIPTION	COMMENTS
1	E100024	8	WASHER-M6,,ISO7093	
2	E100048	8	NUT-M6,8,,DIN934	
3	E100235	8	BOLT-M6X55,8.8,,ISO4014	
4	E102068	4	WASHER-M8,SS,ISO7093	
5	E105163	4	NUT-M8,,SS,ISO7040	
6	E130546	2	BOLT-U,M8X85X57X40,GALV	
7	E220044	8	CLAMP-SINGLE,22,PP (2 PIECES)	
8	E220056	4	PLATE-COVER,CLAMP,SGL,20/22/25	
9	E558804	4	BRACKET-PLUMBING,CTR SECTION	



621581-A-01.TIF

# PLATE-ASM,BULKHEAD,BOOM,RELIEF

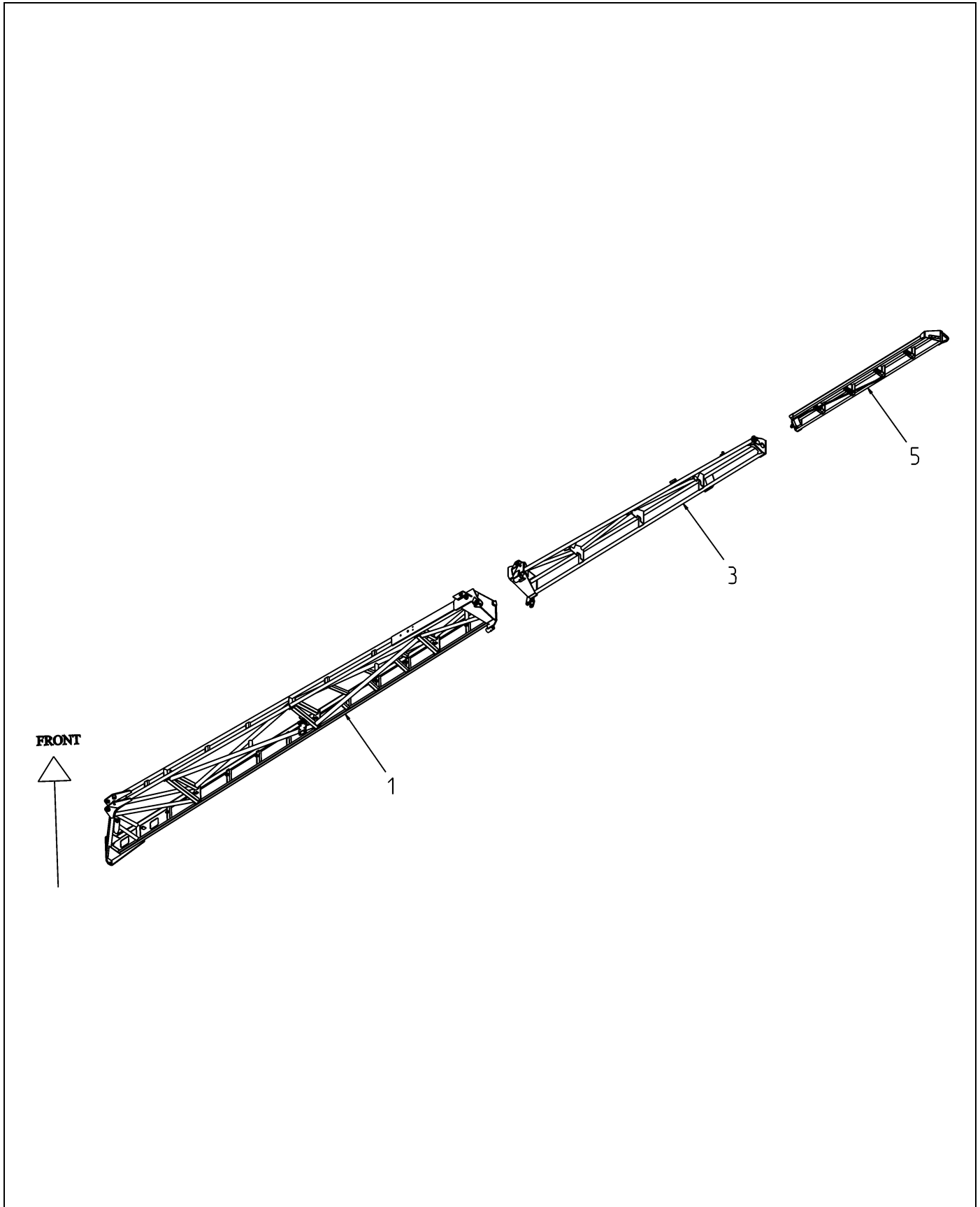
ITEM	PART #	QTY	DESCRIPTION	COMMENTS
1	AG027275	8	NUT-NY-LOCK 1/4-20 SS HX (P)	
2	AG611880	2	PLATE-BULKHEAD,BOOM,RELIEF	
3	AG621580	4	ADAPTER-STR,BULKHEAD,SRV 3/8 JIC	
4	E105345	8	WASHER-1/4,A2,DIN125A	
5	WR55582	4	BOLT-U,DRAWBAR	



614928-1.TIF

# BOOM OPT-12/24M TR4,POMMIER

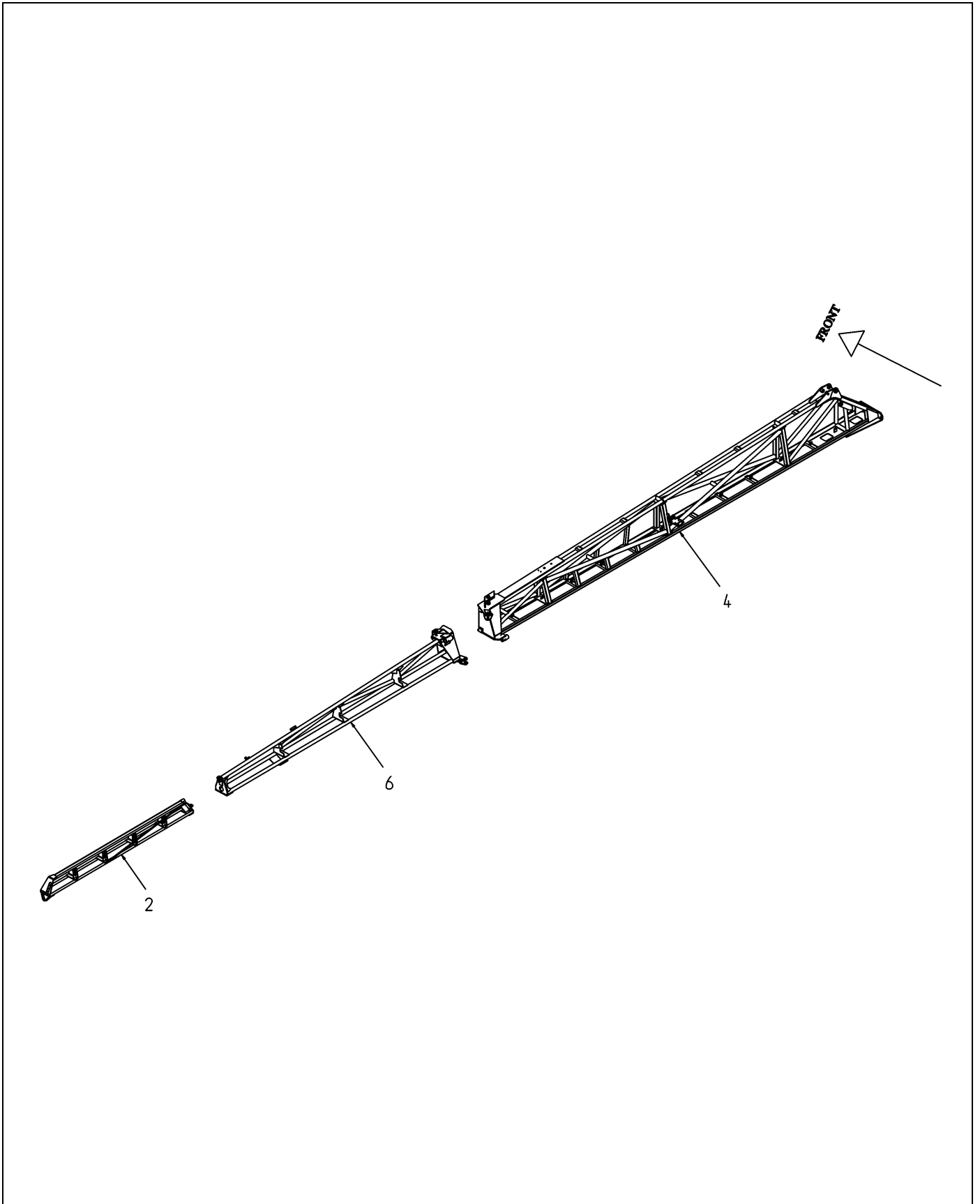
ITEM	PART #	QTY	DESCRIPTION	COMMENTS
2	AG614933	1	BOOM WLDMT-INNER,LH,12/24M TR4	
4	AG614935	1	BOOM WLDMT-MIDDLE,LH,12/24MTR4	
6	AG614995	1	TIP WLDMT-BOOM,LH,24M TR4	



614928-2.TIF

# BOOM OPT-12/24M TR4,POMMIER

ITEM	PART #	QTY	DESCRIPTION	COMMENTS
1	AG614932	1	BOOM WLDMT-INNER,RH,12/24M TR4	
3	AG614934	1	BOOM WLDMT-MIDDLE,RH,12/24MTR4	
5	AG614994	1	TIP WLDMT-BOOM,RH,24M TR4	

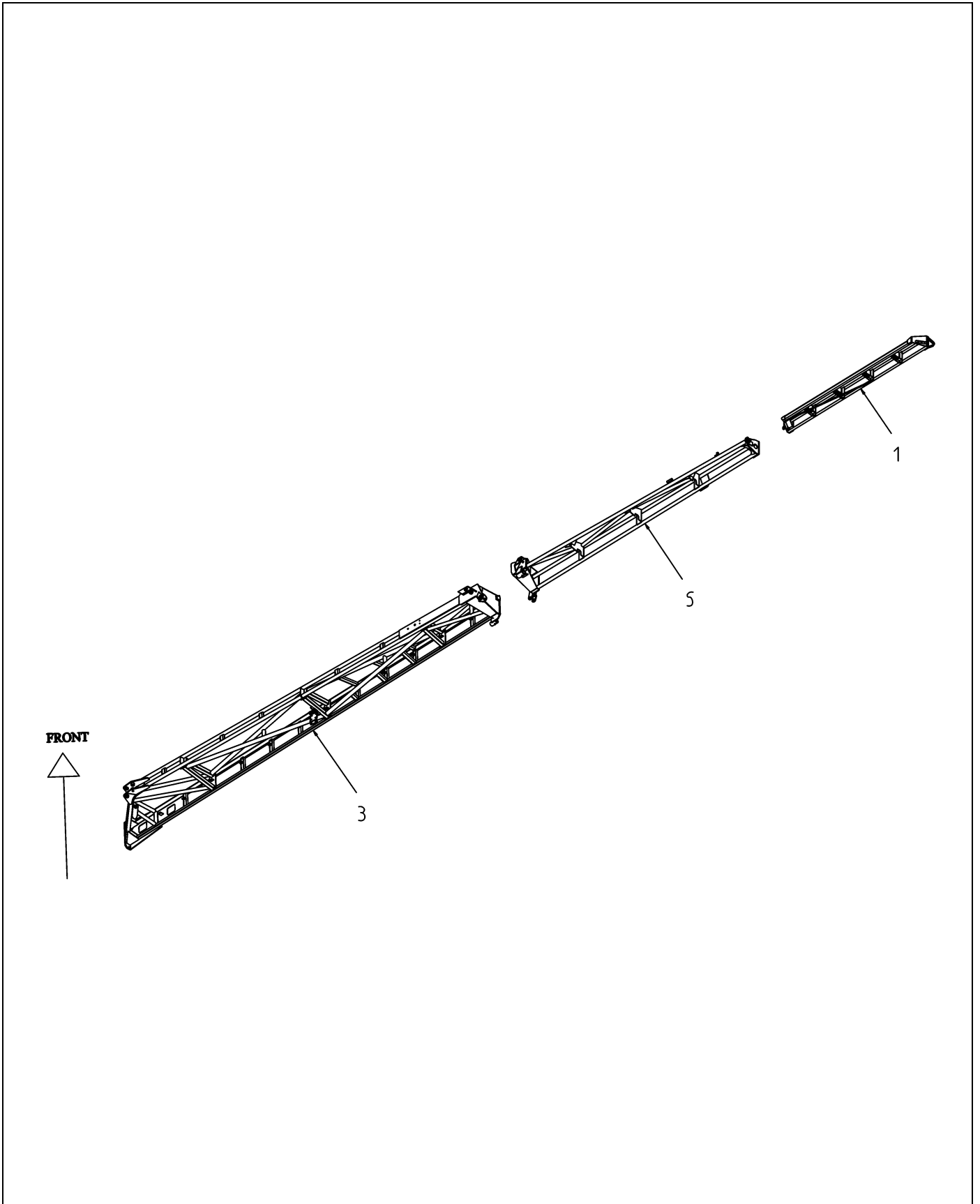


614929-1.TIF



# BOOM OPT-15/28M TR4,POMMIER

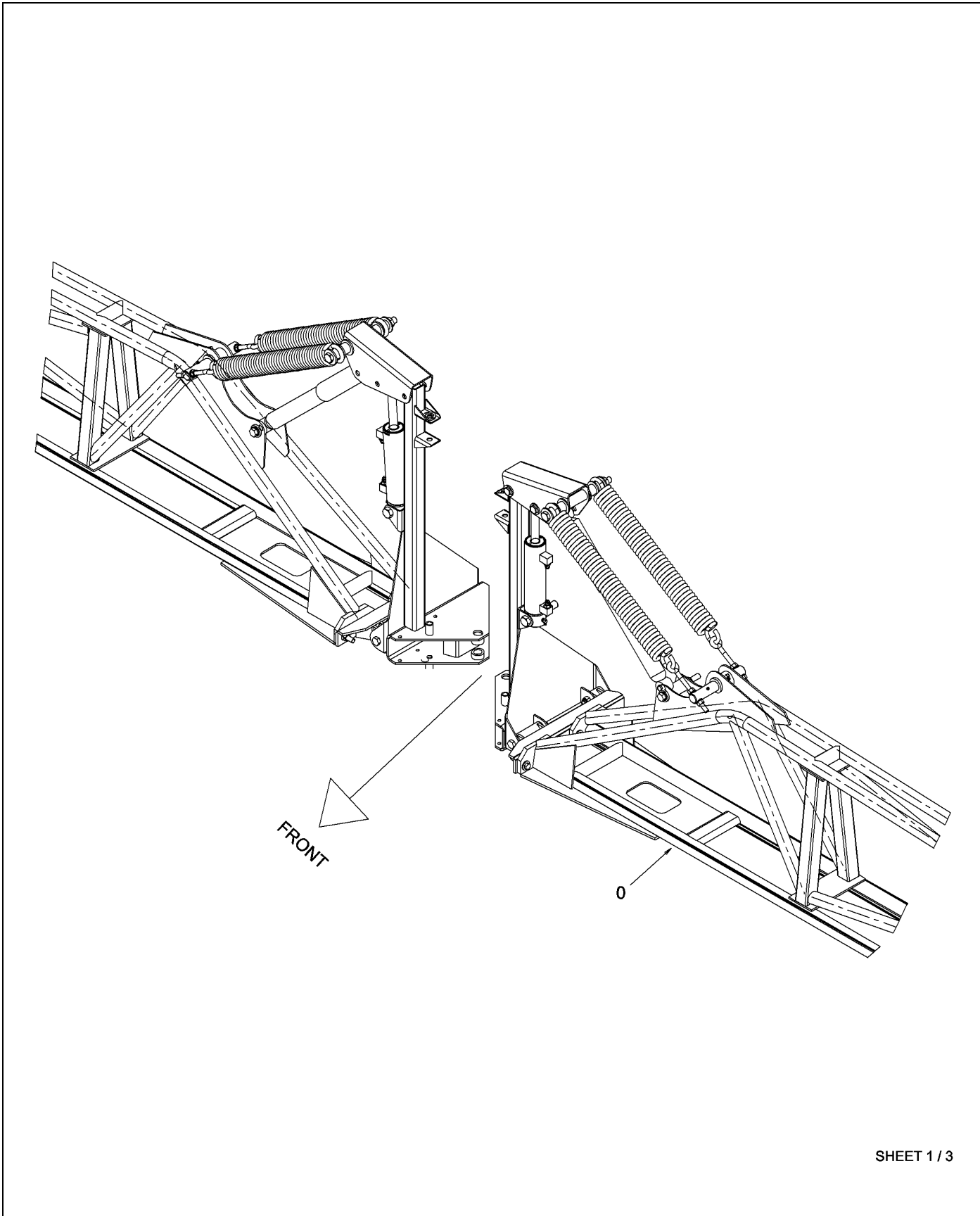
ITEM	PART #	QTY	DESCRIPTION	COMMENTS
2	AG614937	1	TIP WLDMT-BOOM,LH,28-30M TR4	
4	AG614939	1	BOOM WLDMT-INNER,LH,15/xxM TR4	
6	AG614941	1	BOOM WLDMT-MIDDLE,LH,15/28MTR4	



614929-2.TIF

# BOOM OPT-15/28M TR4,POMMIER

ITEM	PART #	QTY	DESCRIPTION	COMMENTS
1	AG614936	1	TIP WLDMT-BOOM,RH,28-30M TR4	
3	AG614938	1	BOOM WLDMT-INNER,RH,15/xxM TR4	
5	AG614940	1	BOOM WLDMT-MIDDLE,RH,15/28MTR4	



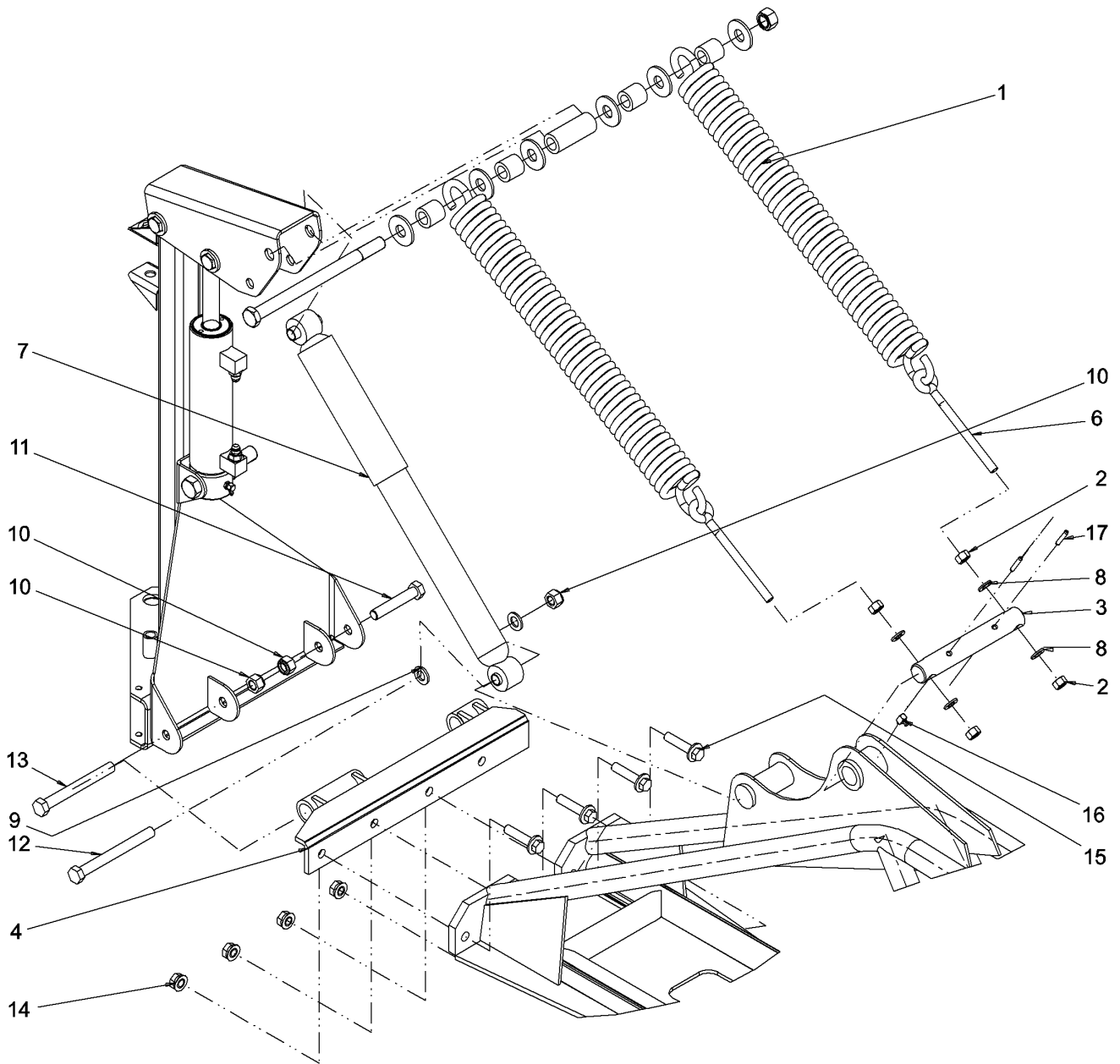
SHEET 1 / 3

615019-B-01.TIF

# BOOM INSTL-POMMIER,24M,SC3/4X5

ITEM	PART #	QTY	DESCRIPTION	COMMENTS
REF	XXXXXX	0	DETAIL DRAWING	

LH-SIDE

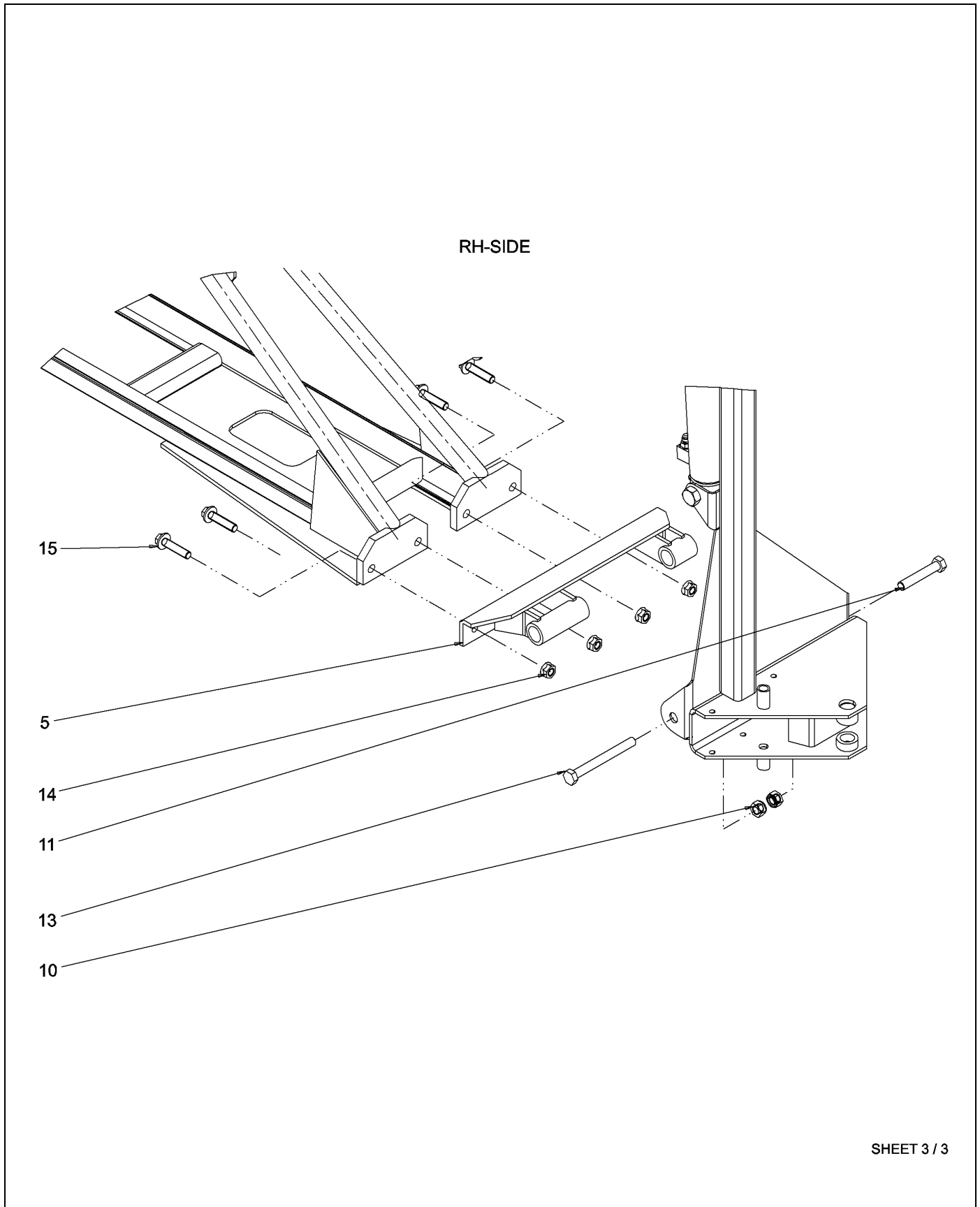


SHEET 2 / 3

615019-B-02.TIF

# BOOM INSTL-POMMIER,24M,SC3/4X5

ITEM	PART #	QTY	DESCRIPTION	COMMENTS
1	WR122553	4	SPRING-BOOM	
2	AG550124	8	NUT-.50-13UNC,HEX,ZN,ISO4032	
3	AG612352	2	PIN-TR4 BOOM,32.5MM OD	
4	AG614968	1	BRACKET WLDMT-BOOM ATCH,LH,3/4	
6	6626401	4	BOLT-.50-13UNCX134MM,EYE	
7	6664598	2	SHOCK-DAMPER	
8	E100015	8	WASHER-M12,,,ISO7089	
9	E100017	4	WASHER-M16,,,ISO7089	
10	E100041	6	NUT-M16,8,,,ISO7040	
11	E100335	2	BOLT-M16X90,8.8,,,ISO4014	
12	E100341	2	BOLT-M16X150,8.8,,,ISO4014	
13	E100342	2	BOLT-M16X160,8.8,,,ISO4014	
14	E101964	8	NUT-M14,12,,,DURLOCK	
15	E101985	8	BOLT-M14X50,12.9,,,DURLOCK	
16	E103001	2	FITTING-LUBE,90DEG,M6	
17	E104052	4	PIN-ROLL,6.0X70MM	

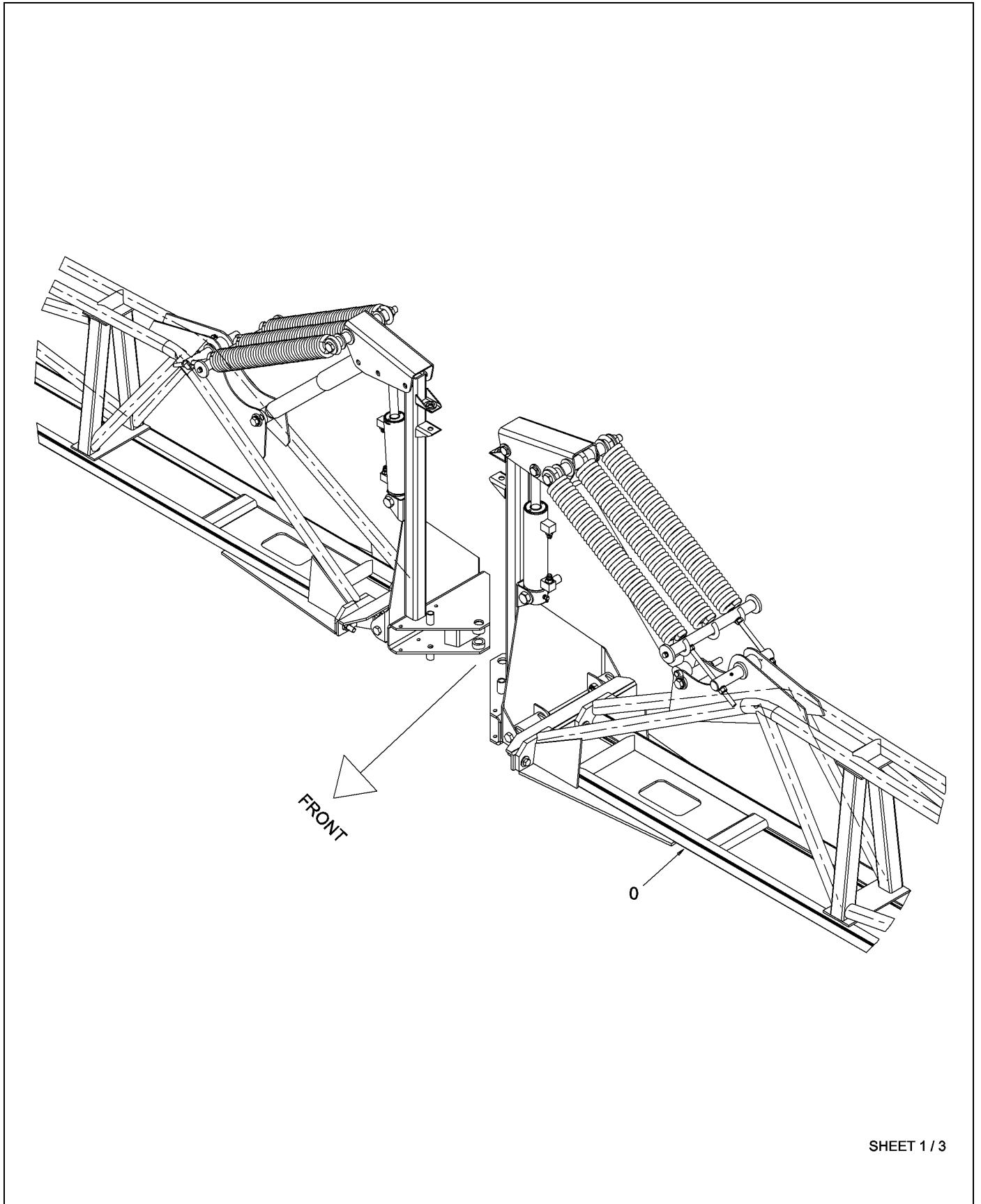


615019-B-03.TIF



# BOOM INSTL-POMMIER,24M,SC3/4X5

ITEM	PART #	QTY	DESCRIPTION	COMMENTS
5	AG614969	1	BRACKET WLDMT-BOOM ATCH,RH,3/4	
10	E100041	6	NUT-M16,8,,,ISO7040	
11	E100335	2	BOLT-M16X90,8.8,,,ISO4014	
13	E100342	2	BOLT-M16X160,8.8,,,ISO4014	
14	E101964	8	NUT-M14,12,,,DURLOCK	
15	E101985	8	BOLT-M14X50,12.9,,,DURLOCK	



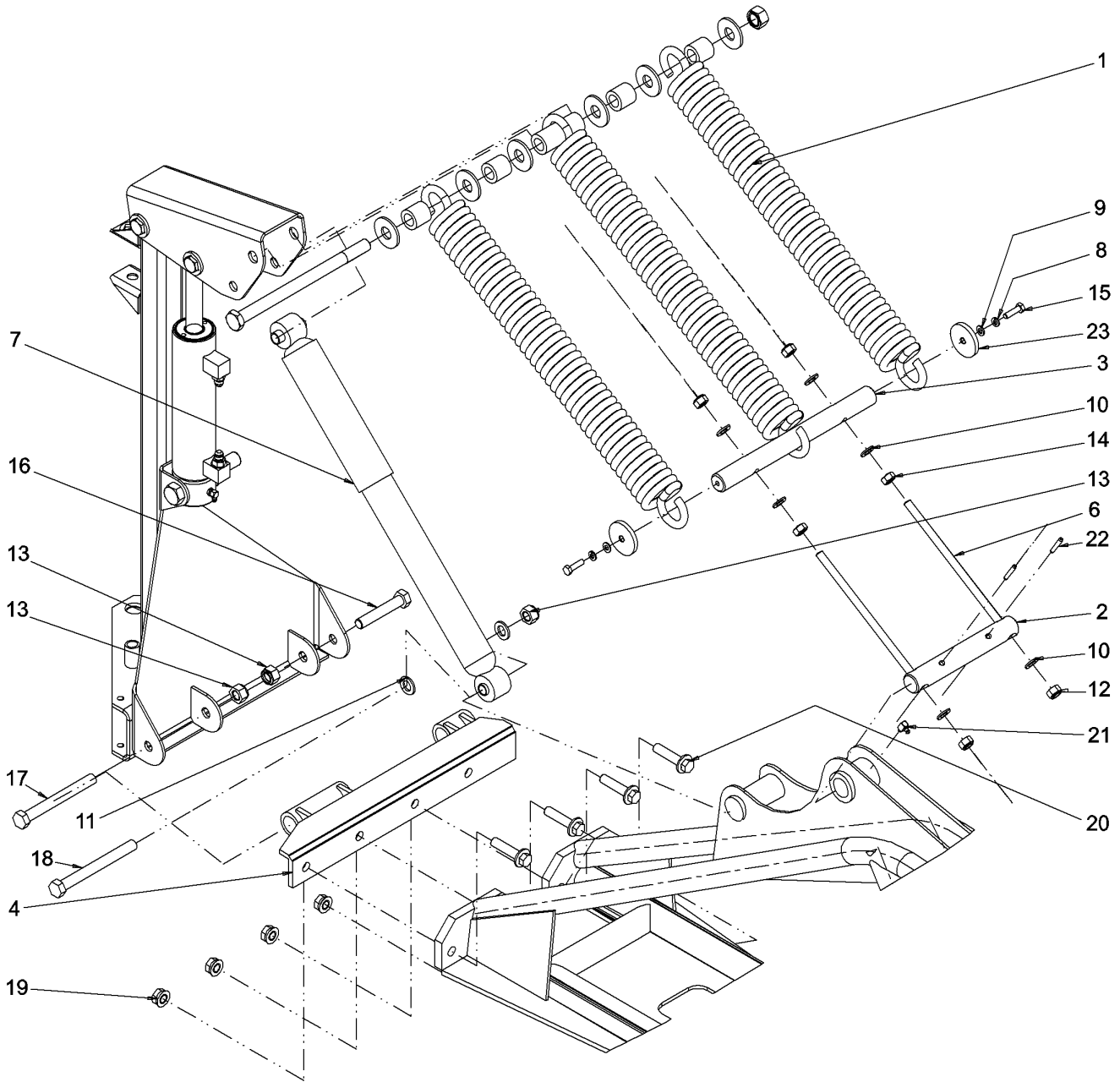
SHEET 1 / 3

615018-B-01.TIF

# BOOM INSTL-POMMIER,28M,SC3/4X5

ITEM	PART #	QTY	DESCRIPTION	COMMENTS
REF	XXXXXX	0	DETAIL DRAWING	

LH-SIDE



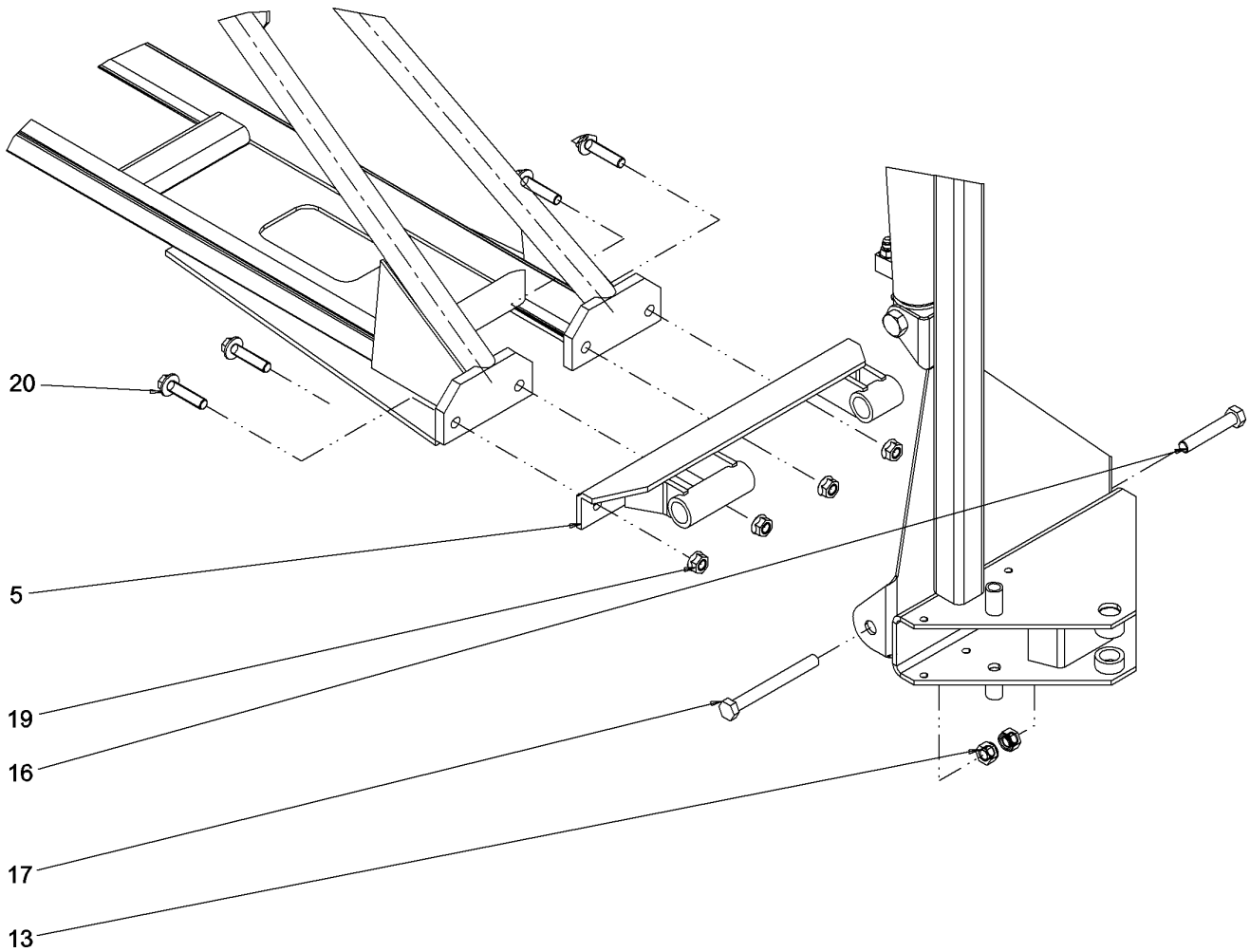
SHEET 2 / 3

615018-B-02.TIF

# BOOM INSTL-POMMIER,28M,SC3/4X5

ITEM	PART #	QTY	DESCRIPTION	COMMENTS
1	WR122553	6	SPRING-BOOM	
2	AG612352	2	PIN-TR4 BOOM,32.5MM OD	
3	AG613726	2	PIN-30MM,POMMIER BOOM 28/30MTR	
4	AG614968	1	BRACKET WLDMT-BOOM ATCH,LH,3/4	
6	AG615016	4	ROD-THD,M12X250,8.8,,,DIN975	
7	6664598	2	SHOCK-DAMPER	
8	E100001	4	WASHER-M8,,,DIN127B	
9	E100013	4	WASHER-M8,,,ISO7089	
10	E100015	12	WASHER-M12,,,ISO7089	
11	E100017	4	WASHER-M16,,,ISO7089	
12	E100039	8	NUT-M12,8,,,ISO7040	
13	E100041	6	NUT-M16,8,,,ISO7040	
14	E100051	4	NUT-M12, 8,,,ISO4032	
15	E100119	4	BOLT-M8X30,8.8,,,ISO4017	
16	E100335	2	BOLT-M16X90,8.8,,,ISO4014	
17	E100341	2	BOLT-M16X150,8.8,,,ISO4014	
18	E100342	2	BOLT-M16X160,8.8,,,ISO4014	
19	E101964	8	NUT-M14,12,,,DURLOCK	
20	E101985	8	BOLT-M14X50,12.9,,,DURLOCK	
21	E103001	2	FITTING-LUBE,90DEG,M6	
22	E104052	4	PIN-ROLL,6.0X70MM	
23	E300128	4	DISK-55MM ODX7.0MM,SS	

RH-SIDE

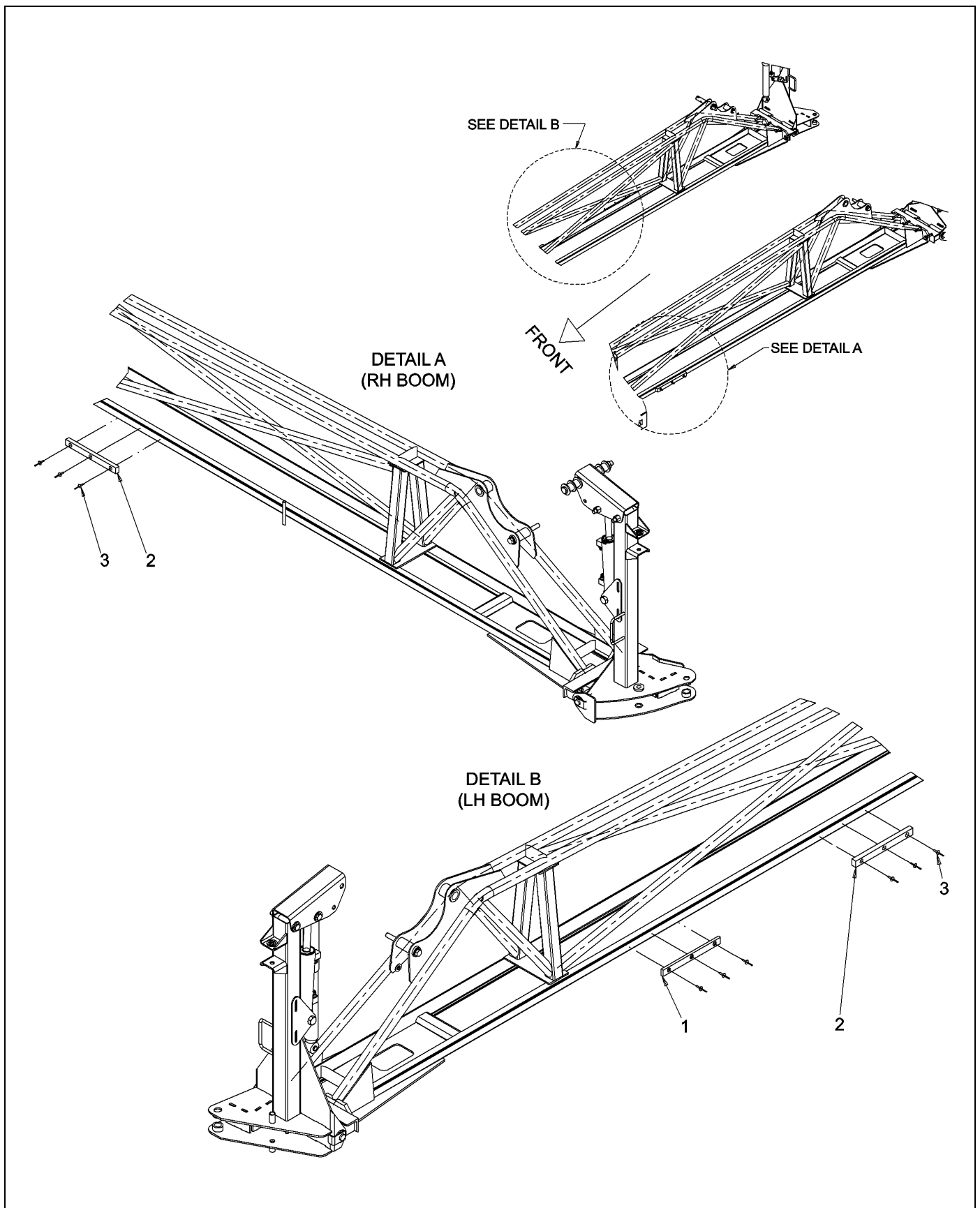


SHEET 3 / 3

615018-B-03.TIF

# BOOM INSTL-POMMIER,28M,SC3/4X5

ITEM	PART #	QTY	DESCRIPTION	COMMENTS
5	AG614969	1	BRACKET WLDMT-BOOM ATCH,RH,3/4	
13	E100041	6	NUT-M16,8,,,ISO7040	
16	E100335	2	BOLT-M16X90,8.8,,,ISO4014	
17	E100341	2	BOLT-M16X150,8.8,,,ISO4014	
19	E101964	8	NUT-M14,12,,,DURLOCK	
20	E101985	8	BOLT-M14X50,12.9,,,DURLOCK	



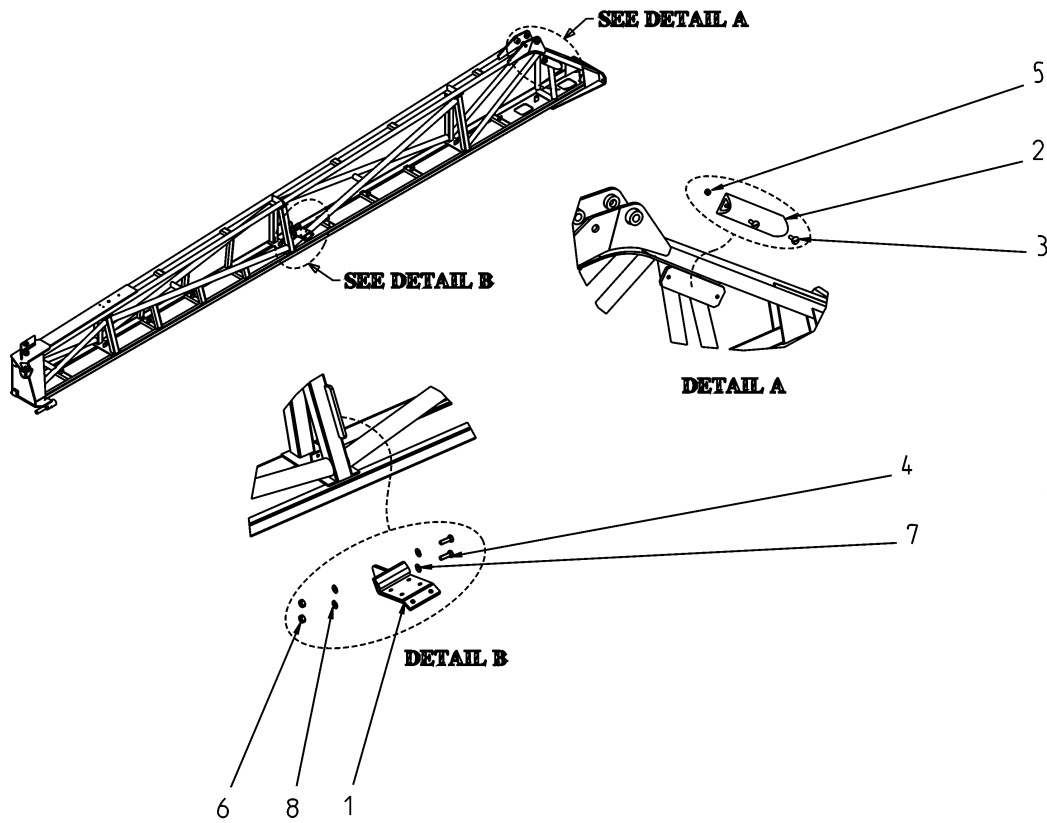
615014-B-01.TIF



# PLATE INSTL-POM,BOOM/BOOMREST

ITEM	PART #	QTY	DESCRIPTION	COMMENTS
1	AG614544	1	PLATE-PREVENT BOOM,BMREST,10MM	
2	AG616813	2	PLATE-PREVENT BOOM,BMREST,20MM	
3	AG617442	9	RIVET-POP,4.8X20MM,AL/ST,DOMED	

# BOOMREST INSTL-POMMIER BOOM

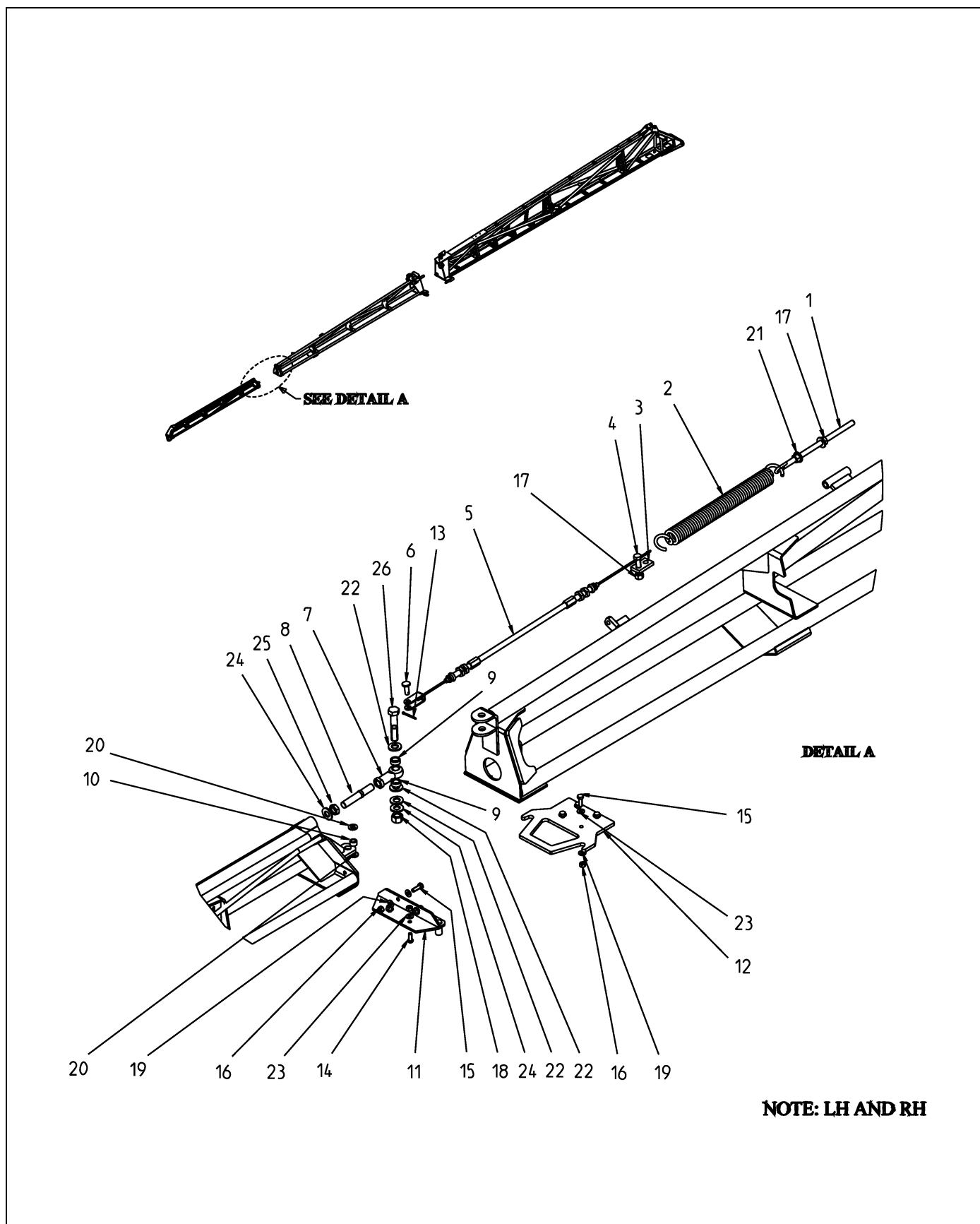


612002.TIF

# BOOMREST INSTL-POMMIER BOOM

ITEM	PART #	QTY	DESCRIPTION	COMMENTS
1	AG614949	2	BRACKET ASM-BOOMREST,POMMIER	
2	AG614950	2	BUMPER-RUBBER,BOOMTIP	
3	E105035	4	BOLT-M8X35,,,SS,BUTTON/FLANGE	
4	E105054	4	BOLT-M10X35,,,SS,ISO4017	
5	E105154	4	NUT-M8,,,SS,ISO4032	
6	E105155	4	NUT-M10,,,SS,ISO4032	
7	E105319	4	WASHER-M10,SS,ISO7089	
8	E105332	4	WASHER-M10,SS,DIN127B	

# BREAKAWAY INSTL-POMMIER

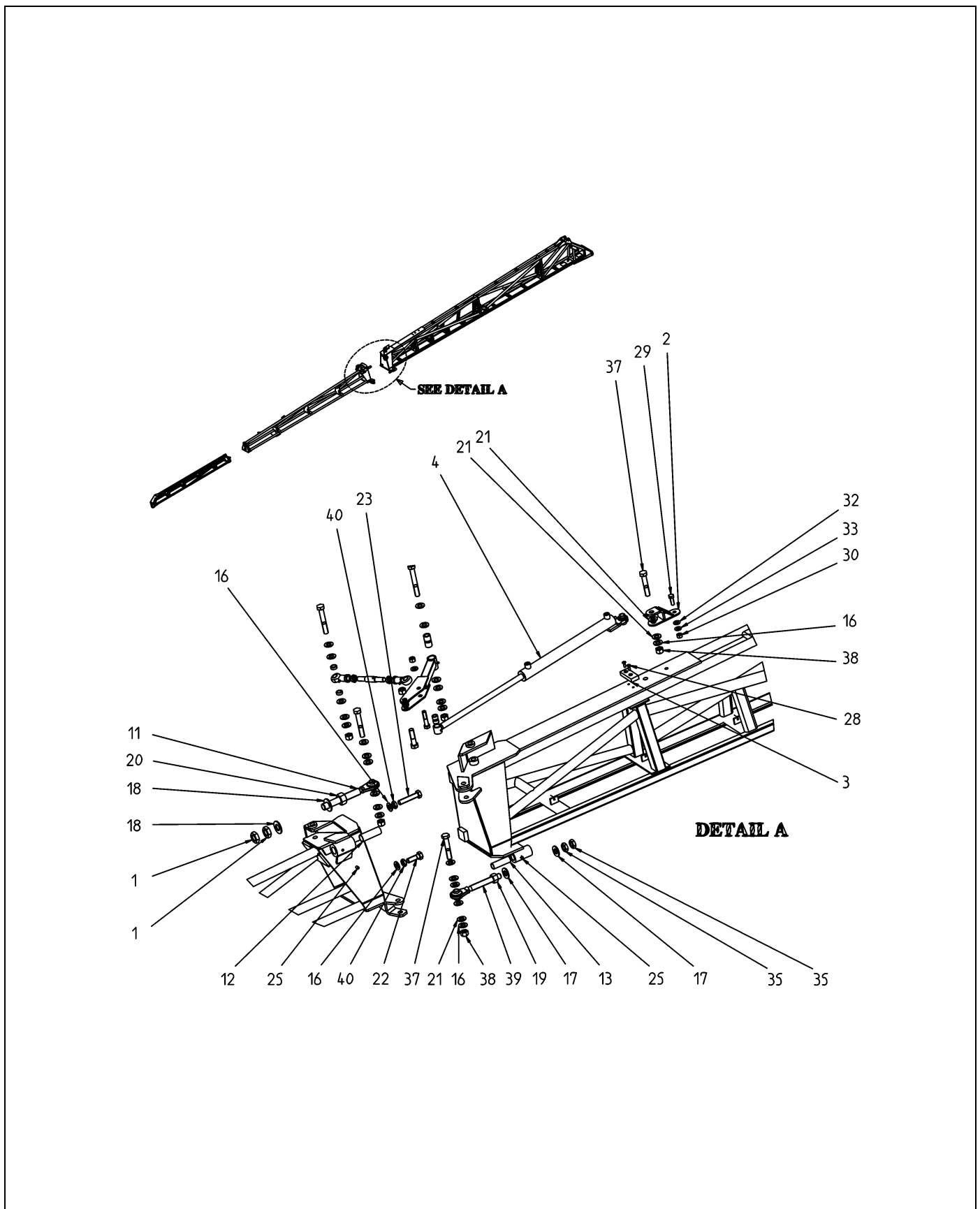


612003.TIF

# BREAKAWAY INSTL-POMMIER

ITEM	PART #	QTY	DESCRIPTION	COMMENTS
1	AG614951	2	ROD-THD,M12,INCL EYE	
2	AG614952	2	SPRING-TENSION,BREAKAWAY,POMMI	
3	AG614953	2	STRIP-MTG,CABLE,BREAKAWAY	
4	AG614954	2	BOLT-M12X25,8.8,,,INCL HOLE	
5	AG614955	2	CABLE-BREAKAWAY,POMMIER	
6	AG614956	2	PIN-10MM ODX30MM,SS	
7	AG614957	2	END-ROD,M16X16MM DIA,BREAKAWAY	
8	AG614958	2	ROD-THD,M16X200MM,BREAKAWAY	
9	AG614959	4	BUSHING-SPACER,19MM OD,9.0MM	
10	AG614960	2	BUSHING-BOOMTIP/CABLE BRK AWAY	
11	AG614961	2	BRACKET WLDMT-BRK AWAY/BOOMTIP	
12	AG614962	2	BRACKET-BREAKAWAY/MIDDLE BOOM	
13	E104002	2	PIN-COTTER,3.2X36MM	
14	E105024	4	BOLT-M8X20,,,SS,ISO4017	
15	E105025	12	BOLT-M8X25,,,SS,ISO4017	
16	E105154	16	NUT-M8,,,SS,ISO4032	
17	E105156	6	NUT-M12,,,SS,ISO4032	
18	E105167	2	NUT-M16,,,SS,DIN985	
19	E105318	12	WASHER-M8,SS,ISO7089	
20	E105319	4	WASHER-M10,SS,ISO7089	
21	E105320	4	WASHER-M12,SS,ISO7089	
22	E105322	6	WASHER-M16,SS,ISO7089	
23	E105330	12	WASHER-M8,,,SS,DIN127B	
24	E105337	4	WASHER-M16,,,SS,DIN127B	
25	E105386	2	NUT-M16,8,,,ISO4035	
26	E130521	2	BOLT-M16X80,,,SS,ISO4014	

# FOLDING INSTL-24/28M BOOM

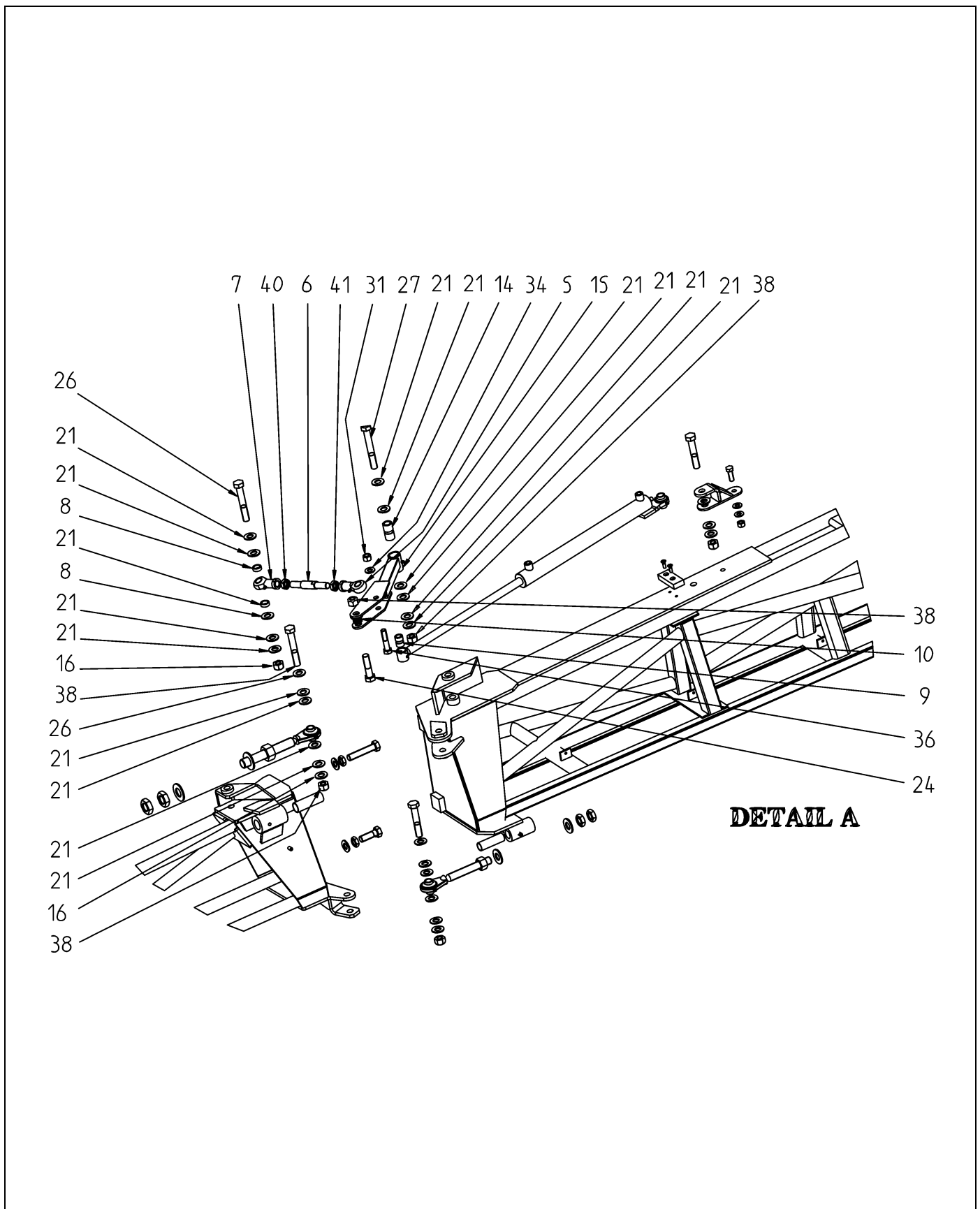


612004-1.TIF

# FOLDING INSTL-24/28M BOOM

ITEM	PART #	QTY	DESCRIPTION	COMMENTS
1	AG613503	4	NUT-M30,4,,,ISO4035	
2	AG614964	2	BRACKET WLDMT-MTG,FOLDING CYL	
3	AG614966	2	BLOCK-GUIDE,FOLDING CYLINDER	
4	AG614967	2	CYLINDER-HYD,D25/40/450MM	
11	AG614977	2	END-ROD,M30X20MM DIA,FOLDING	
12	AG614978	2	BUSHING-34X2.0X98MM	
13	AG614980	2	BUSHING-28X2.0X98MM	
16	E100007	14	WASHER-M20,,,DIN127B	
17	E100021	4	WASHER-M24,,,ISO7089	
18	E100023	4	WASHER-M30,,,ISO7089	
19	E100057	2	NUT-M24,8,,,ISO4032	
20	E100059	2	NUT-M30,8,,,ISO4032	
21	E100060	42	WASHER-M20,,,SS,ISO7089	
22	E100193	2	BOLT-M20X60,8.8,,,ISO4017	
23	E100198	2	BOLT-M20X120,8.8,,,ISO4017	
25	E101278	4	SCREW-SET,M10X12,45H,,,ISO4029	
28	E105032	4	BOLT-M8X25,,,SS,ISO10642	
29	E105109	2	BOLT-M14X40,,,SS,ISO4017	
30	E105166	2	NUT-M14,,,SS,DIN985	
32	E105321	2	WASHER-M14,SS,ISO7089	
33	E105336	2	WASHER-M14,,,SS,DIN127B	
35	E105370	4	NUT-M24X2.0,,,,ISO8675	
37	E130536	4	BOLT-M20X120,,,SS,ISO4014	
38	E130561	12	NUT-M20,,,SS,ISO4032	
39	E231627	2	END-ROD,M24X20MM DIA,FOLDING	
40	E503020	6	NUT-M20X2.0,4,,,ISO8675	

# FOLDING INSTL-24/28M BOOM



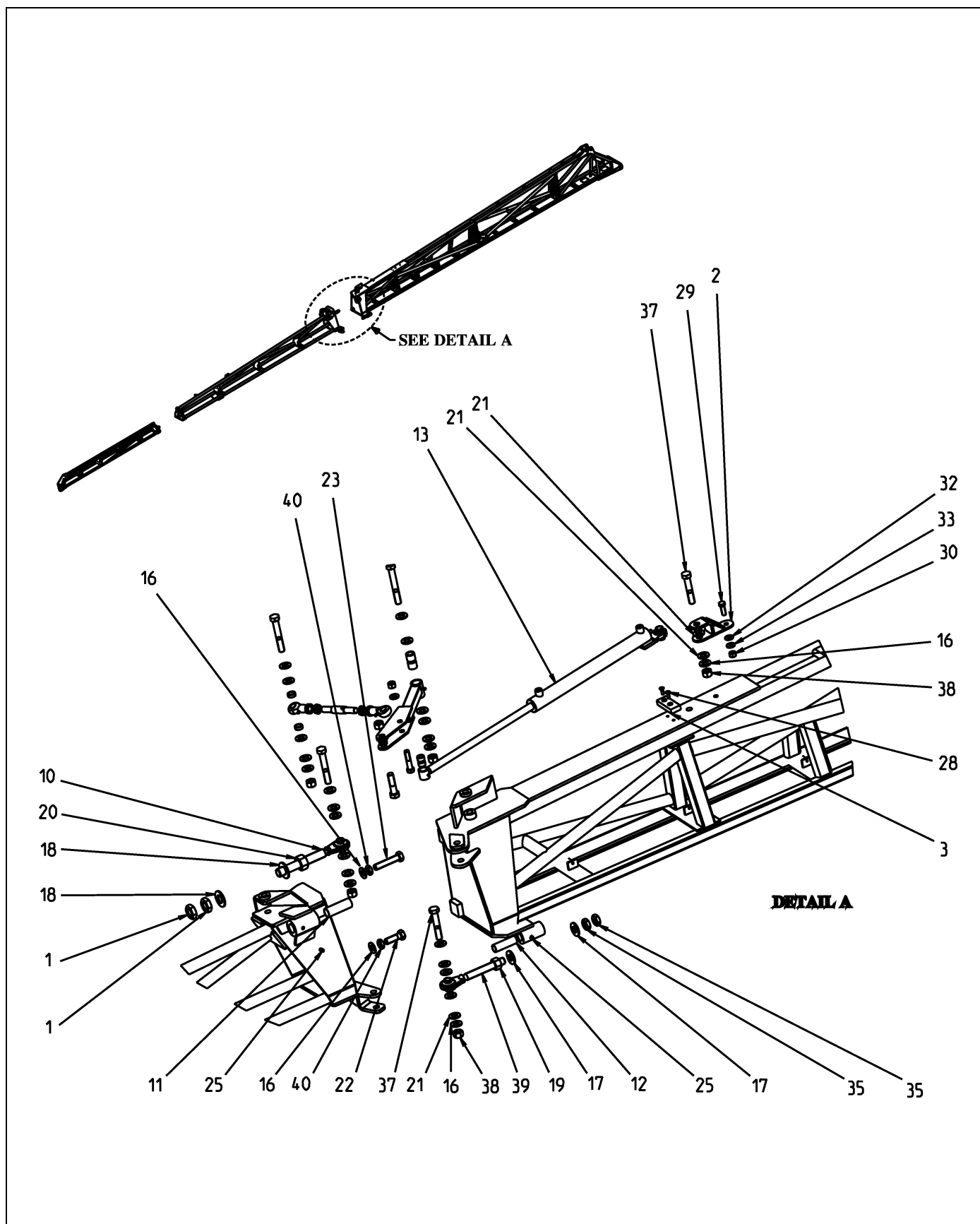
612004-2.TIF



# FOLDING INSTL-24/28M BOOM

ITEM	PART #	QTY	DESCRIPTION	COMMENTS
5	AG614970	2	END-ROD,M20X20MM DIA,FOLDING	
6	AG614971	2	ROD-THD,M20X150MM,FOLDING SYS	
7	AG614972	2	END-ROD,M20X20MM DIA,FOLDING	
8	AG614973	4	BUSHING-SPACER,20.2MM ID,9.0MM	
9	AG614974	2	BUSHING-FOLDING SYSTEM CYL	
10	AG614975	4	RING-SPACER,20.2MM ID,5.0MM	
14	AG691431	2	BUSHING-FOLDING SYSTEM BRACKET	
15	AG691432	1	BRACKET WLDMT-MTG,FLDG SYS,LH	
15	AG691433	1	BRACKET WLDMT-MTG,FLDG SYS,RH	
16	E100007	14	WASHER-M20,,,DIN127B	
21	E100060	42	WASHER-M20,,,SS,ISO7089	
24	E100367	2	BOLT-M20X80,8.8,,,ISO4014	
26	E101467	4	BOLT-M20X130,,,SS,ISO4014	
27	E101483	2	BOLT-M20X150,,,SS,ISO4014	
31	E105167	2	NUT-M16,,,SS,DIN985	
34	E105337	2	WASHER-M16,,,SS,DIN127B	
36	E130521	2	BOLT-M16X80,,,SS,ISO4014	
38	E130561	12	NUT-M20,,,SS,ISO4032	
40	E503020	6	NUT-M20X2.0,4,,,ISO8675	
41	E503021	2	NUT-M20,4,,,ISO4035 (LH THREAD)	

# FOLDING INSTL-30M BOOM

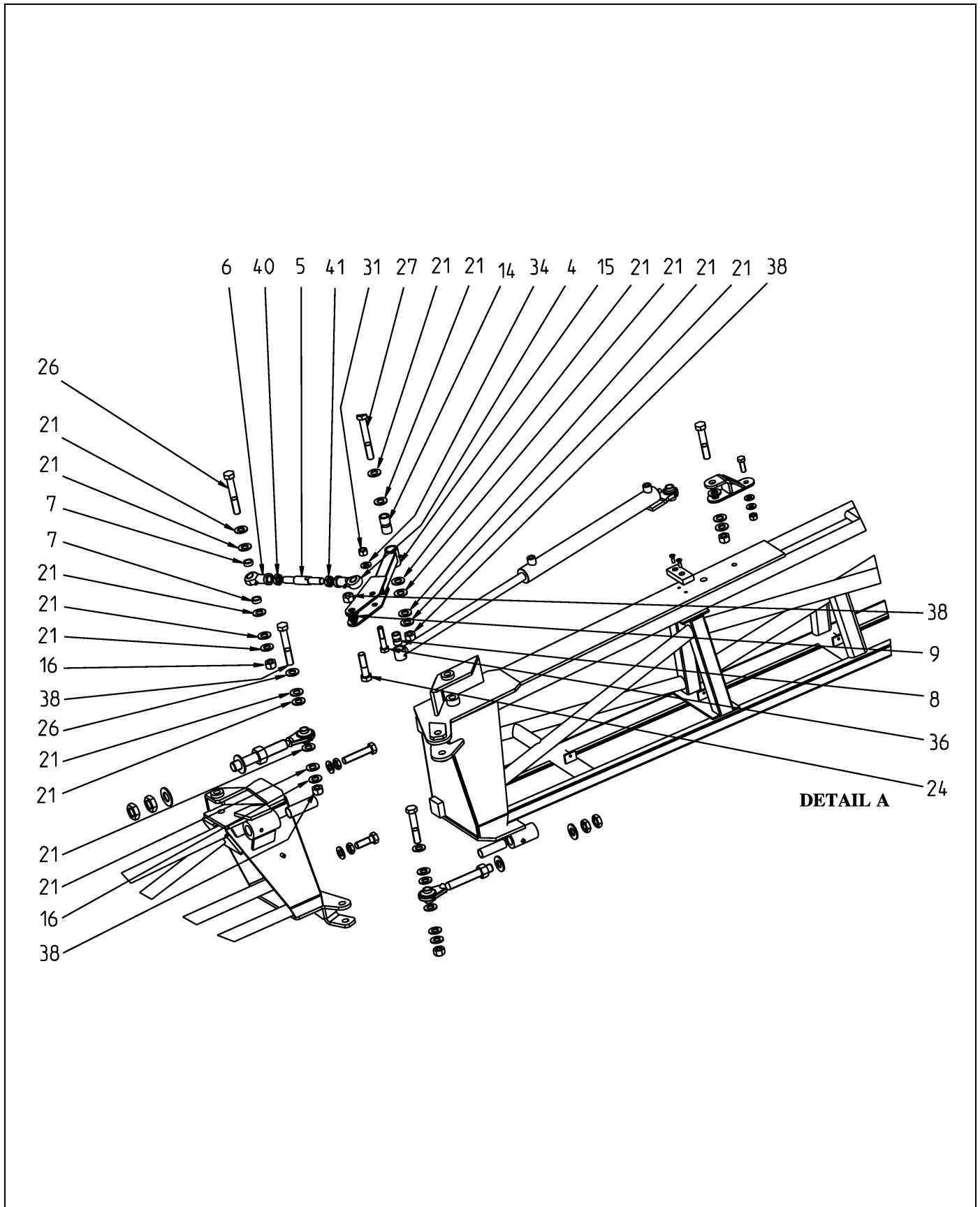


612005-A-P251-01.TIF

# FOLDING INSTL-30M BOOM

ITEM	PART #	QTY	DESCRIPTION	COMMENTS
1	AG613503	4	NUT-M30,4,,,ISO4035	
2	AG614964	2	BRACKET WLDMT-MTG,FOLDING CYL	
3	AG614966	2	BLOCK-GUIDE,FOLDING CYLINDER	
10	AG614977	2	END-ROD,M30X20MM DIA,FOLDING	
11	AG614978	2	BUSHING-34X2.0X98MM	
12	AG614980	2	BUSHING-28X2.0X98MM	
13	AG614981	2	CYLINDER-HYD,D30/50/450MM	
16	E100007	14	WASHER-M20,,,DIN127B	
17	E100021	4	WASHER-M24,,,ISO7089	
18	E100023	4	WASHER-M30,,,ISO7089	
19	E100057	2	NUT-M24,8,,,ISO4032	
20	E100059	2	NUT-M30,8,,,ISO4032	
21	E100060	42	WASHER-M20,,,SS,ISO7089	
22	E100193	2	BOLT-M20X60,8.8,,,ISO4017	
23	E100198	2	BOLT-M20X120,8.8,,,ISO4017	
25	E101278	4	SCREW-SET,M10X12,45H,,,ISO4029	
28	E105032	4	BOLT-M8X25,,,SS,ISO10642	
29	E105109	2	BOLT-M14X40,,,SS,ISO4017	
30	E105166	2	NUT-M14,,,SS,DIN985	
32	E105321	2	WASHER-M14,SS,ISO7089	
33	E105336	2	WASHER-M14,,,SS,DIN127B	
35	E105370	4	NUT-M24X2.0,,,,,ISO8675	
37	E130536	4	BOLT-M20X120,,,SS,ISO4014	
38	E130561	12	NUT-M20,,,SS,ISO4032	
39	E231627	2	END-ROD,M24X20MM DIA,FOLDING	
40	E503020	6	NUT-M20X2.0,4,,,ISO8675	

# FOLDING INSTL-30M BOOM



612005-A-P251-02.TIF

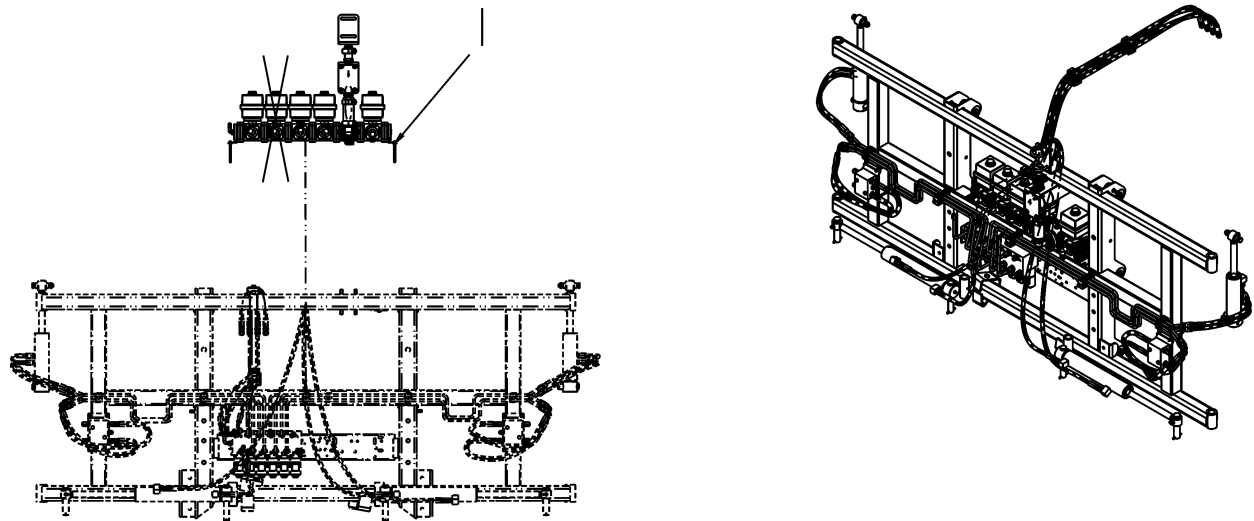
# FOLDING INSTL-30M BOOM

ITEM	PART #	QTY	DESCRIPTION	COMMENTS
4	AG614970	2	END-ROD,M20X20MM DIA,FOLDING	
5	AG614971	2	ROD-THD,M20X150MM,FOLDING SYS	
6	AG614972	2	END-ROD,M20X20MM DIA,FOLDING	
7	AG614973	4	BUSHING-SPACER,20.2MM ID,9.0MM	
8	AG614974	2	BUSHING-FOLDING SYSTEM CYL	
9	AG614975	4	RING-SPACER,20.2MM ID,5.0MM	
14	AG691431	2	BUSHING-FOLDING SYSTEM BRACKET	
15	AG691432	1	BRACKET WLDMT-MTG,FLDG SYS,LH	
15	AG691433	1	BRACKET WLDMT-MTG,FLDG SYS,RH	
16	E100007	14	WASHER-M20,,,DIN127B	
21	E100060	42	WASHER-M20,,,SS,ISO7089	
24	E100367	2	BOLT-M20X80,8.8,,,ISO4014	
26	E101467	4	BOLT-M20X130,,,SS,ISO4014	
27	E101483	2	BOLT-M20X150,,,SS,ISO4014	
31	E105167	2	NUT-M16,,,SS,DIN985	
34	E105337	2	WASHER-M16,,,SS,DIN127B	
36	E130521	2	BOLT-M16X80,,,SS,ISO4014	
38	E130561	12	NUT-M20,,,SS,ISO4032	
40	E503020	6	NUT-M20X2.0,4,,,ISO8675	
41	E503021	2	NUT-M20,4,,,ISO4035 (LH THREAD)	

SPRAY SYSTEM INSTL-4SECT,AL	7-1
SPRAY UNIT ASM-CENTERFRAME	7-2
SPRAY SYSTEM INSTL-5SECT,AL	7-3
SPRAY SYSTEM INSTL-6SECT,AL	7-4
PLUMBING INSTL-12/24M,4SECT	7-5
PLUMBING INSTL-12/24M,4SECT	7-6
PLUMBING INSTL-12/24M,4SECT	7-7
PLUMBING INSTL-12/24M,4SECT	7-8
PLUMBING INSTL-12/24M,4SECT	7-9
PLUMBING INSTL-12/24M,4SECT	7-10
PLUMBING INSTL-12/24M,4SECT	7-11
PLUMBING INSTL-12/24M,4SECT	7-12
PLUMBING INSTL-12/24M,5SECT	7-13
PLUMBING INSTL-12/24M,5SECT	7-14
PLUMBING INSTL-12/24M,5SECT	7-15
PLUMBING INSTL-12/24M,5SECT	7-16
PLUMBING INSTL-12/24M,5SECT	7-17
PLUMBING INSTL-12/24M,5SECT	7-18
PLUMBING INSTL-12/24M,5SECT	7-19
PLUMBING INSTL-12/24M,5SECT	7-20
PLUMBING INSTL-12/24M,6SECT	7-21
PLUMBING INSTL-12/24M,6SECT	7-22
PLUMBING INSTL-12/24M,6SECT	7-23
PLUMBING INSTL-12/24M,6SECT	7-24
PLUMBING INSTL-12/24M,6SECT	7-25
PLUMBING INSTL-12/24M,6SECT	7-26
PLUMBING INSTL-12/24M,6SECT	7-27
PLUMBING INSTL-12/24M,6SECT	7-28
PLUMBING INSTL-15/28M,5SECT	7-29
PLUMBING INSTL-15/28M,5SECT	7-30
PLUMBING INSTL-15/28M,5SECT	7-31
PLUMBING INSTL-15/28M,5SECT	7-32
PLUMBING INSTL-15/28M,5SECT	7-33
PLUMBING INSTL-15/28M,5SECT	7-34
PLUMBING INSTL-15/28M,5SECT	7-35
PLUMBING INSTL-15/28M,5SECT	7-36
PLUMBING INSTL-15/28M,6SECT	7-37
PLUMBING INSTL-15/28M,6SECT	7-38
PLUMBING INSTL-15/28M,6SECT	7-39
PLUMBING INSTL-15/28M,6SECT	7-40
PLUMBING INSTL-15/28M,6SECT	7-41
PLUMBING INSTL-15/28M,6SECT	7-42
PLUMBING INSTL-15/28M,6SECT	7-43
PLUMBING INSTL-15/28M,6SECT	7-44

---





611434-A-P271-1.TIF

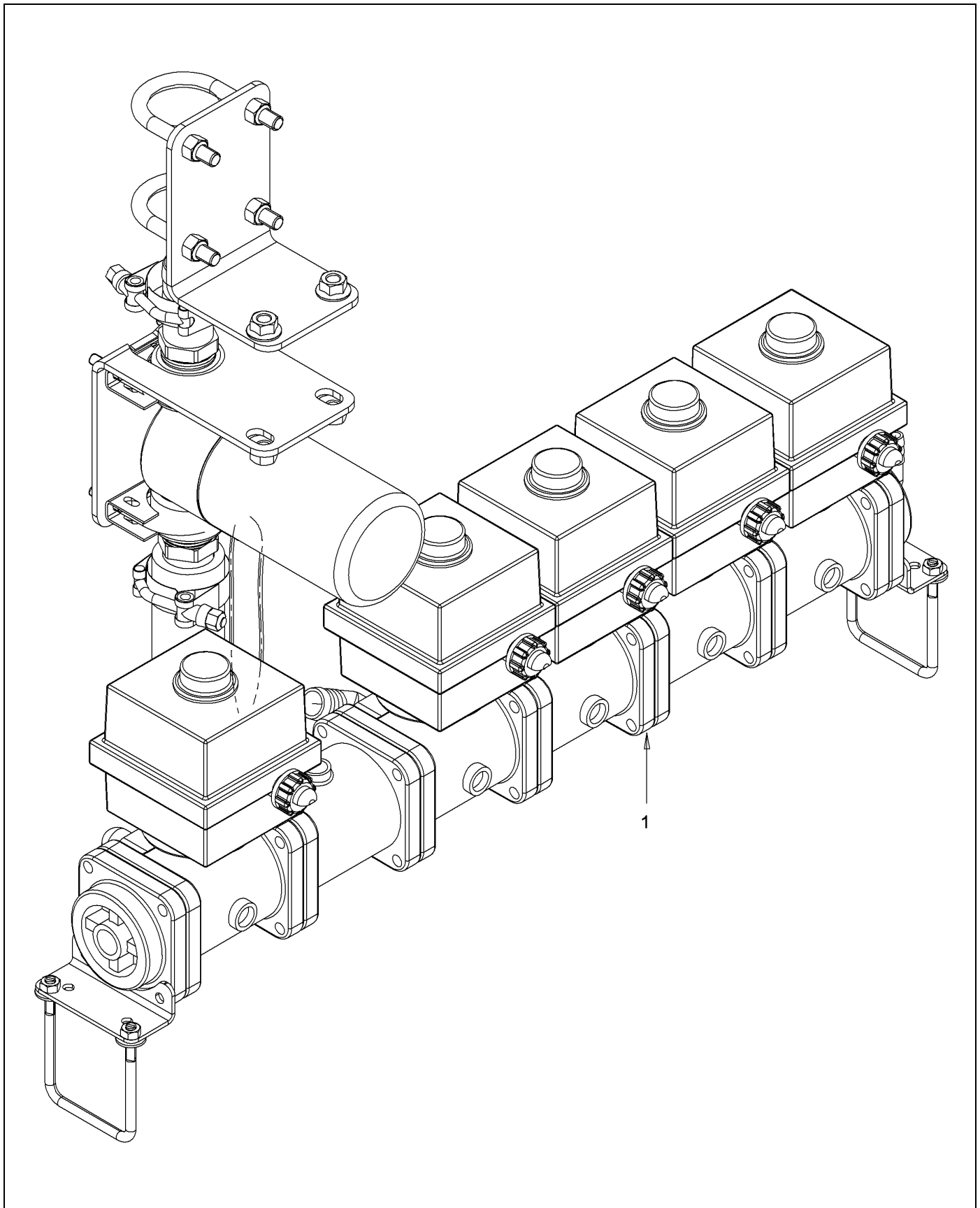


# SPRAY SYSTEM INSTL-4SECT,AL

---

ITEM	PART #	QTY	DESCRIPTION	COMMENTS
1	AG611493	1	SPRAY UNIT ASM-CENTERFRAME	SEE PAGE 7-2

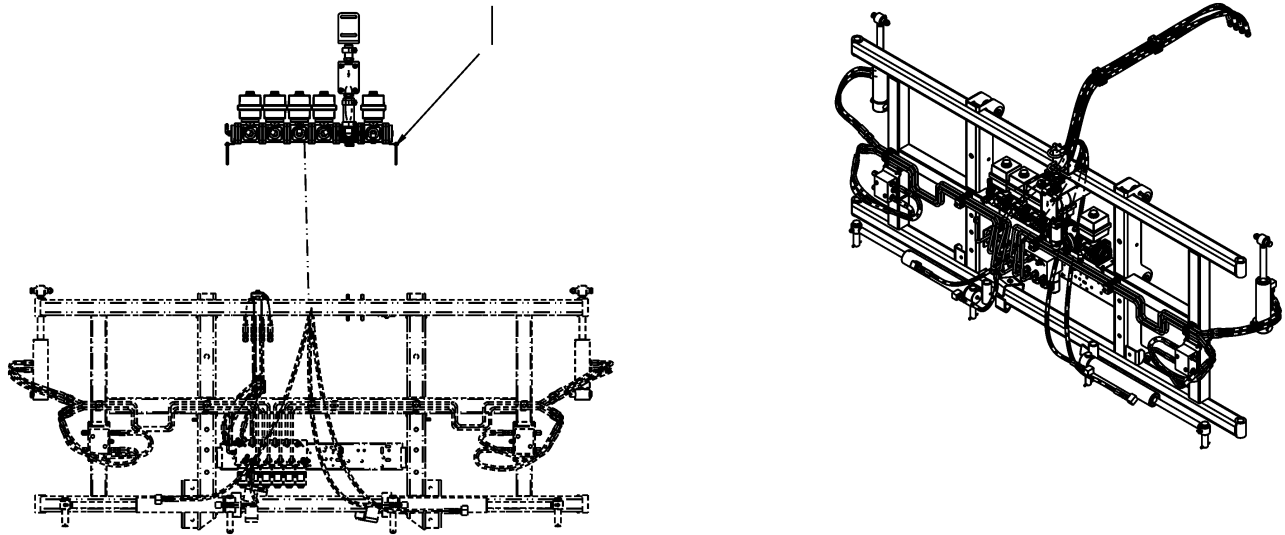
# SPRAY UNIT ASM-CENTERFRAME



611493-B-01.TIF

# SPRAY UNIT ASM-CENTERFRAME

ITEM	PART #	QTY	DESCRIPTION	COMMENTS
1	AG425567	0	SPRAY INSTL-LOOSE PARTS KIT	
	FOOTNOTE		FOR THE PART NUMBERS OF THESE PARTS SEE P/N AG425567 IN THE PARTS BOOK OF THE MACHINE ITSELF.	

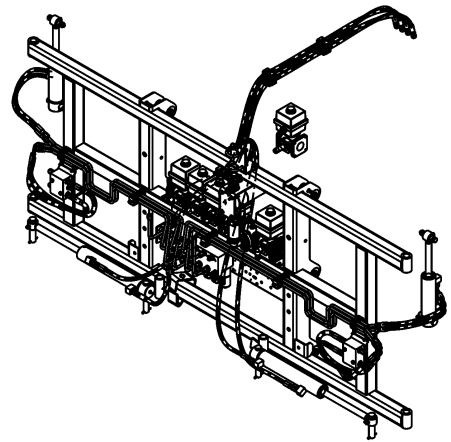
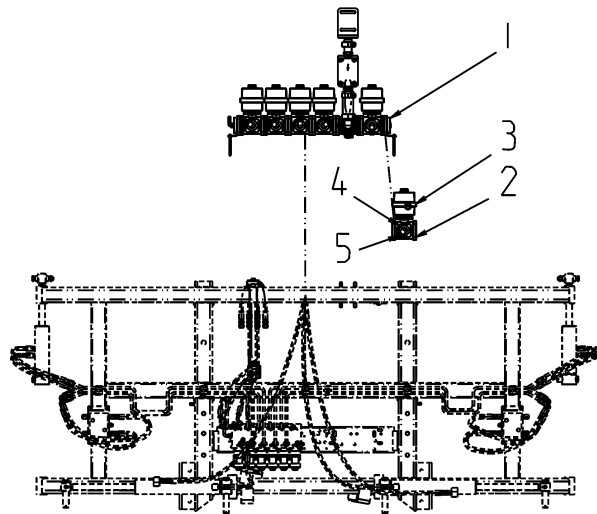


611148-A-P271-1.TIF

# SPRAY SYSTEM INSTL-5SECT,AL

---

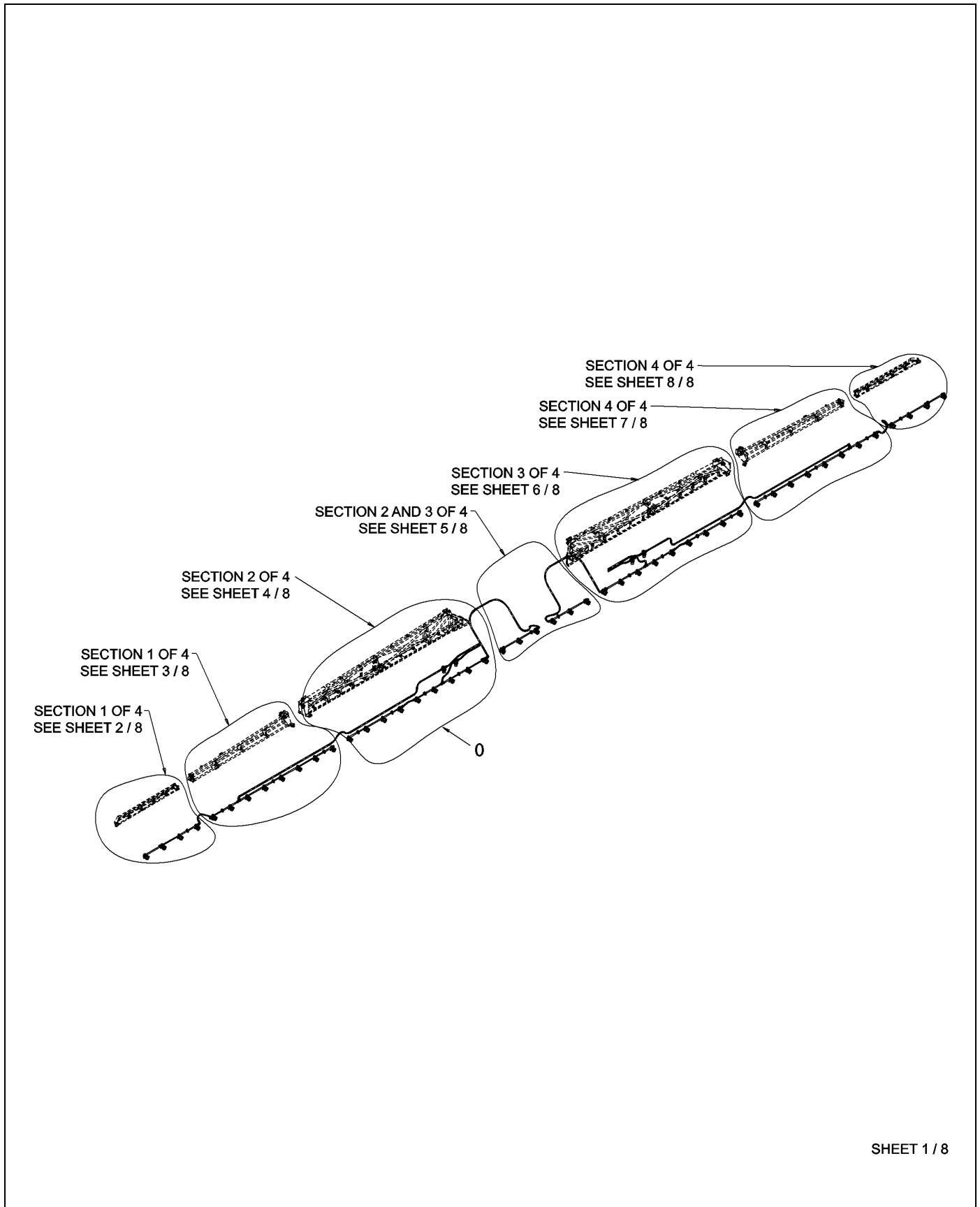
ITEM	PART #	QTY	DESCRIPTION	COMMENTS
1	AG611493	1	SPRAY UNIT ASM-CENTERFRAME	SEE PAGE 7-2



612776-A-P271-1.TIF

# SPRAY SYSTEM INSTL-6SECT,AL

ITEM	PART #	QTY	DESCRIPTION	COMMENTS
1	AG611493	1	SPRAY UNIT ASM-CENTERFRAME	SEE PAGE 7-2
2	WR35019	1	VALVE BODY-QC3	
3	WR55856	1	VALVE ASM-KZ,5SECTION	
4	WR122618	1	HAIR PIN-1/8,SS	
5	WR34501	1	ELBOW-90DEG,-12HB	



SHEET 1 / 8

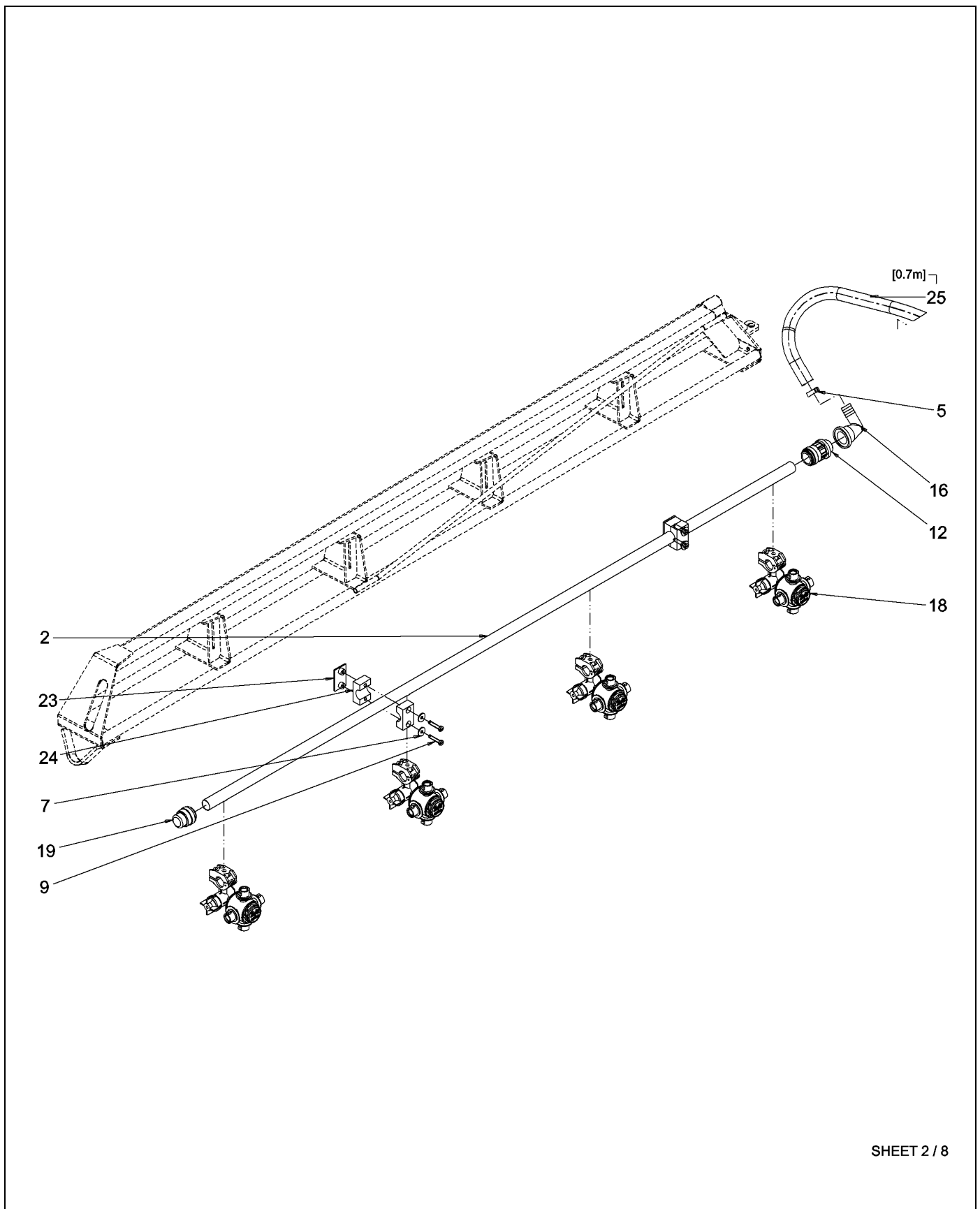
612841-C-01.TIF



# PLUMBING INSTL-12/24M,4SECT

---

ITEM	PART #	QTY	DESCRIPTION	COMMENTS
REF	XXXXXX	0	DETAIL DRAWING	

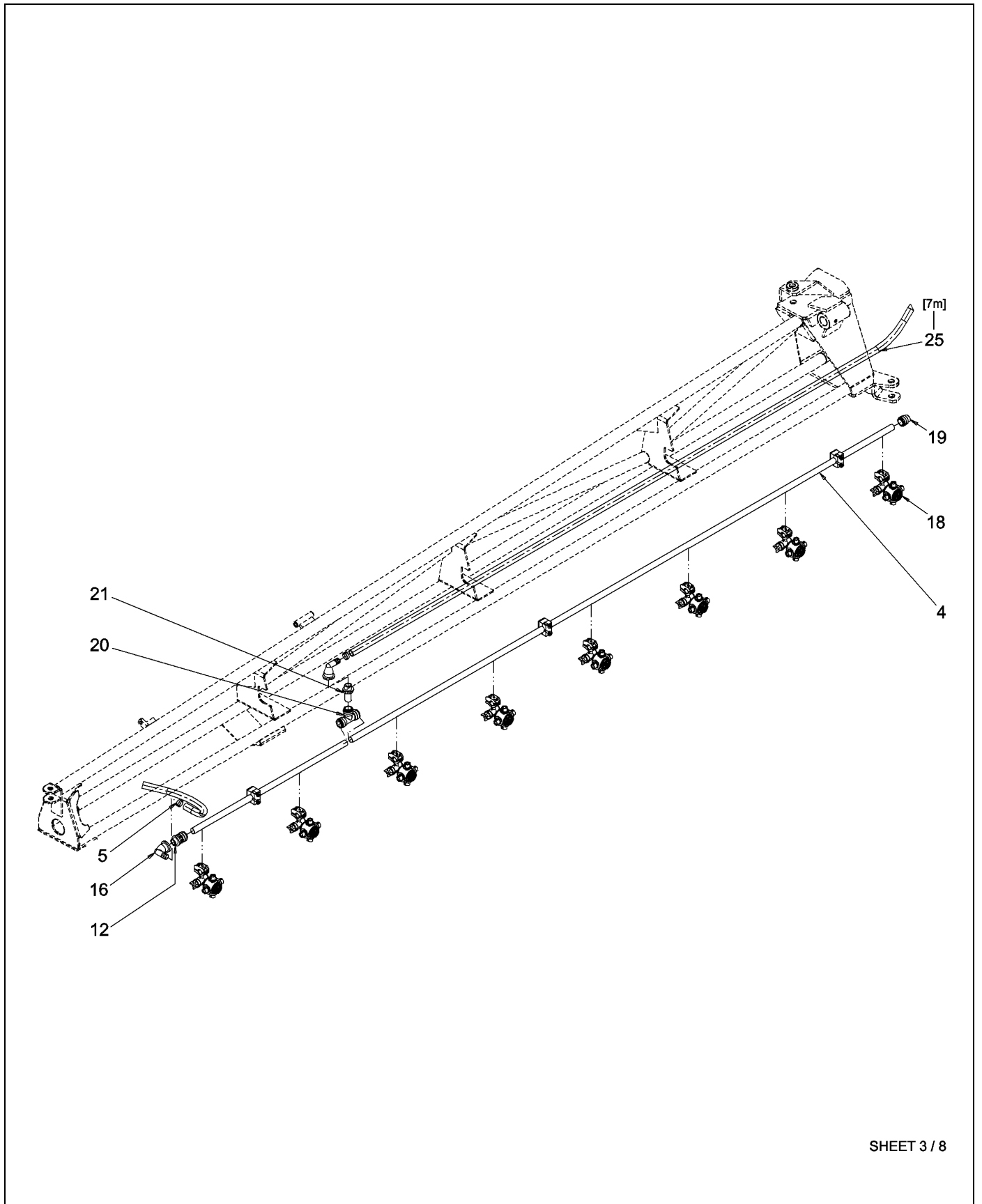


SHEET 2 / 8

612841-C-02.TIF

# PLUMBING INSTL-12/24M,4SECT

ITEM	PART #	QTY	DESCRIPTION	COMMENTS
2	AG614998	4	TUBE-22ODX1600MM,SS (4HOLES)	
5	AG691071	24	CLAMP-HOSE,25-26.5MM,SS	
7	E100024	48	WASHER-M6,,ISO7093	
9	E105220	48	BOLT-M6X30,,SS,ISO1207	
12	E200029	8	ADAPTER-STR,AUTOLO,22MMX3/MBSP	
16	E200033	10	HOSE BARB-90DEG,3/4FBSPX20MM	
18	E200035	48	BODY-NOZZLE,QUATRO,1/2IN,TEEJE	
19	E200036	8	CAP-AUTOLOCK,22MM	
23	E220034	25	PLATE-WELD,CLAMP SGL 20/22/25	
24	E220044	48	CLAMP-SINGLE,22,PP (2 PIECES)	
25	E502212	-	HOSE-CHEMICAL,16MM ID,20BAR [BULK: 0.00 METER]	

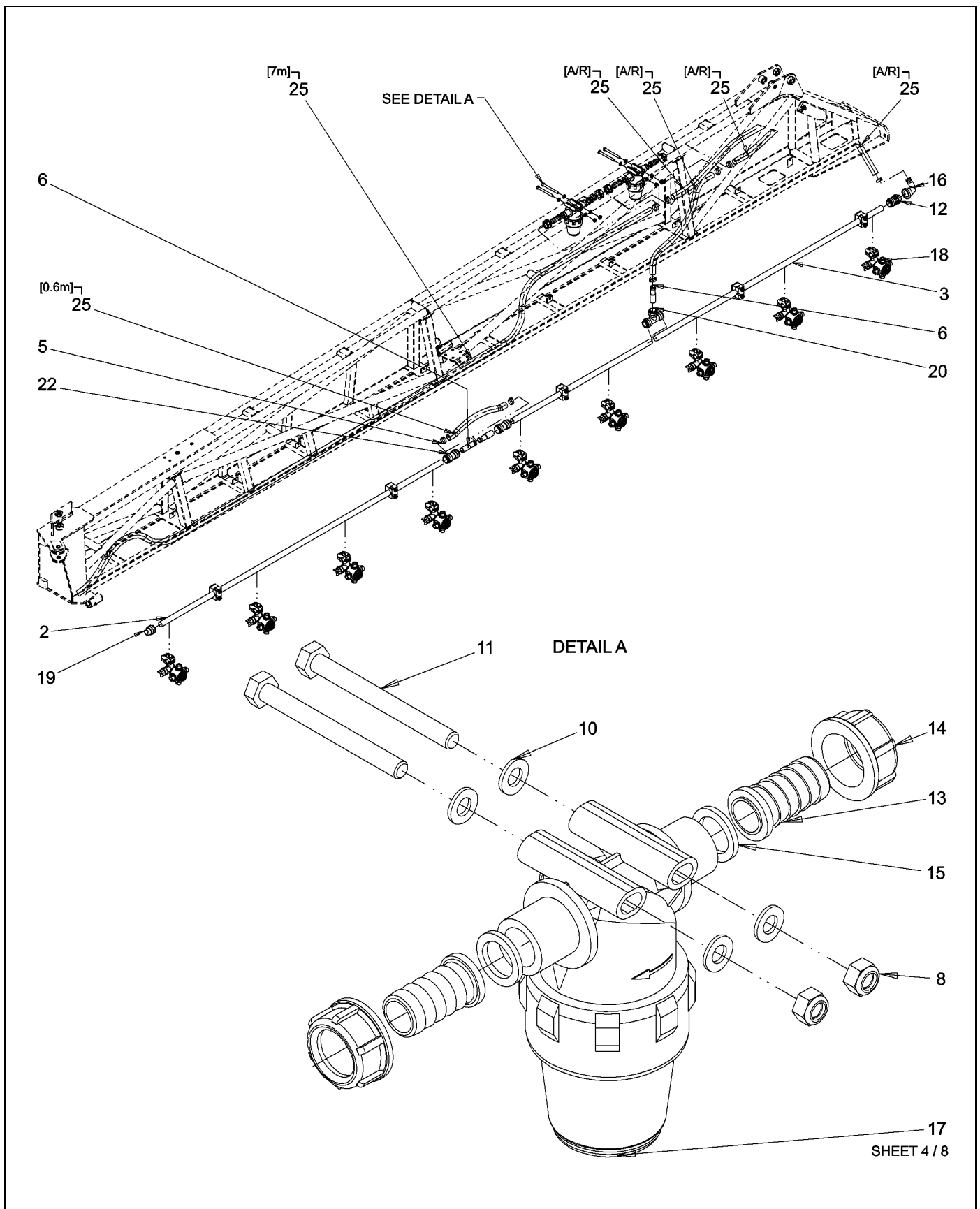


SHEET 3 / 8

612841-C-03.TIF

# PLUMBING INSTL-12/24M,4SECT

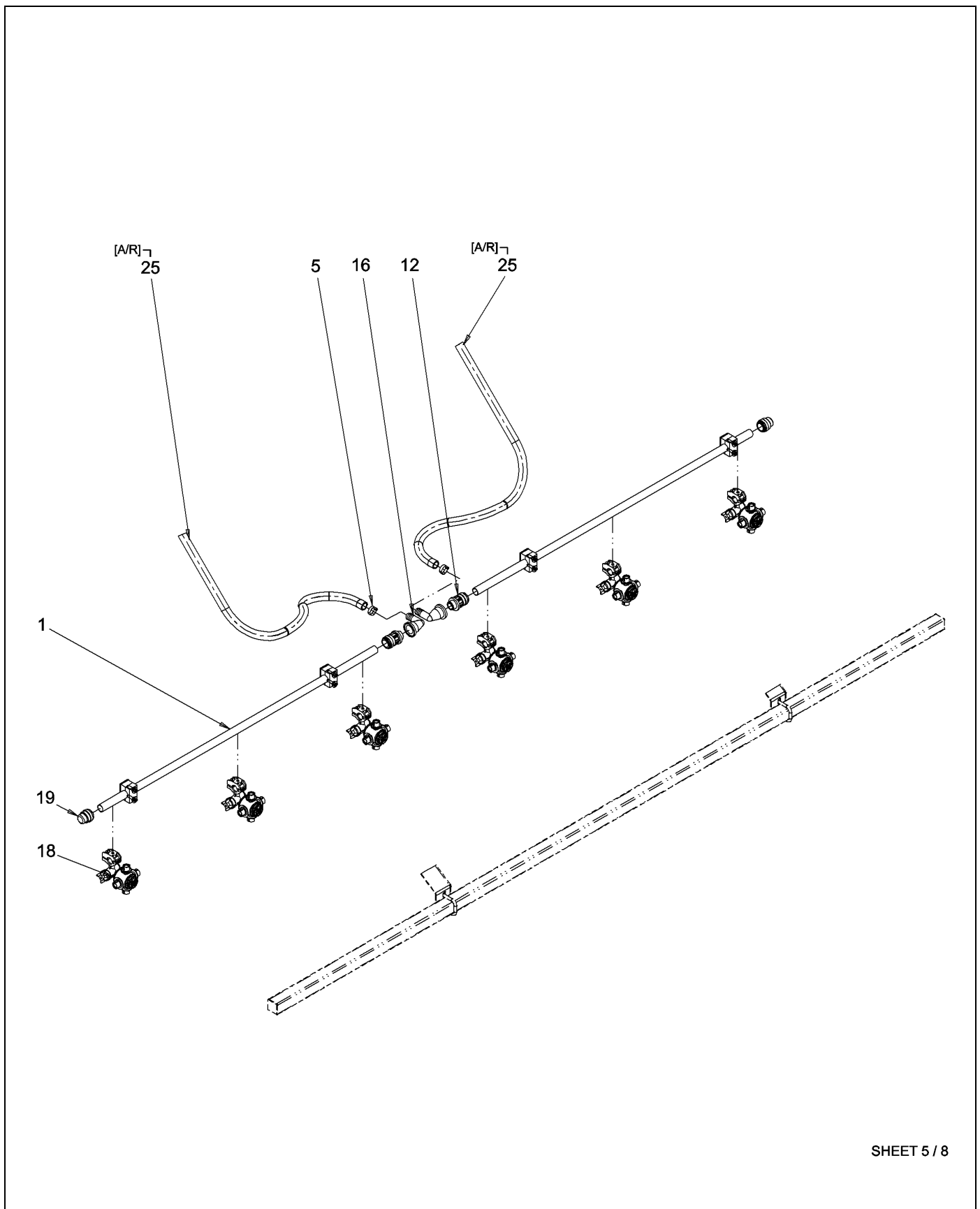
ITEM	PART #	QTY	DESCRIPTION	COMMENTS
4	AG615002	2	TUBE-22ODX3600MM,SS (8HOLES)	
5	AG691071	24	CLAMP-HOSE,25-26.5MM,SS	
12	E200029	8	ADAPTER-STR,AUTOLO,22MMX3/MBSP	
16	E200033	10	HOSE BARB-90DEG,3/4FBSPX20MM	
18	E200035	48	BODY-NOZZLE,QUATRO,1/2IN,TEEJE	
19	E200036	8	CAP-AUTOLOCK,22MM	
20	E200037	4	TEE-AUTOLOCK,22MM	
21	E200038	2	HOSE BARB-3/4MBSPX22MM BARB	
25	E502212	-	HOSE-CHEMICAL,16MM ID,20BAR [BULK: 0.00 METER]	



612841-C-04.TIF

# PLUMBING INSTL-12/24M,4SECT

ITEM	PART #	QTY	DESCRIPTION	COMMENTS
2	AG614998	4	TUBE-22ODX1600MM,SS (4HOLES)	
3	AG614999	2	TUBE-22ODX2100MM,SS (5HOLES)	
5	AG691071	24	CLAMP-HOSE,25-26.5MM,SS	
6	AG691255	6	HOSE BARB-CONN,22MMX1/2IN,AL	
8	E105163	8	NUT-M8,,,SS,ISO7040	
10	E105318	16	WASHER-M8,SS,ISO7089	
11	E130538	8	BOLT-M8X80,,,SS,ISO4014	
12	E200029	8	ADAPTER-STR,AUTOLO,22MMX3/MBSP	
13	E200030	8	HOSE BARB-20MM BARB,PP(E200031	
14	E200031	8	NUT-3/4FBSP,PP (E200030)	
15	E200032	8	RING-SEAL (E200030)	
16	E200033	10	HOSE BARB-90DEG,3/4FBSPX20MM	
17	E200034	4	FILTER ASM-PRESS,3/4MBSP,50BLU	
18	E200035	48	BODY-NOZZLE,QUATRO,1/2IN,TEEJE	
19	E200036	8	CAP-AUTOLOCK,22MM	
20	E200037	4	TEE-AUTOLOCK,22MM	
22	E200042	4	CONNECTOR-AUTOLOCK,22MM	
25	E502212	-	HOSE-CHEMICAL,16MM ID,20BAR [BULK: 0.00 METER]	



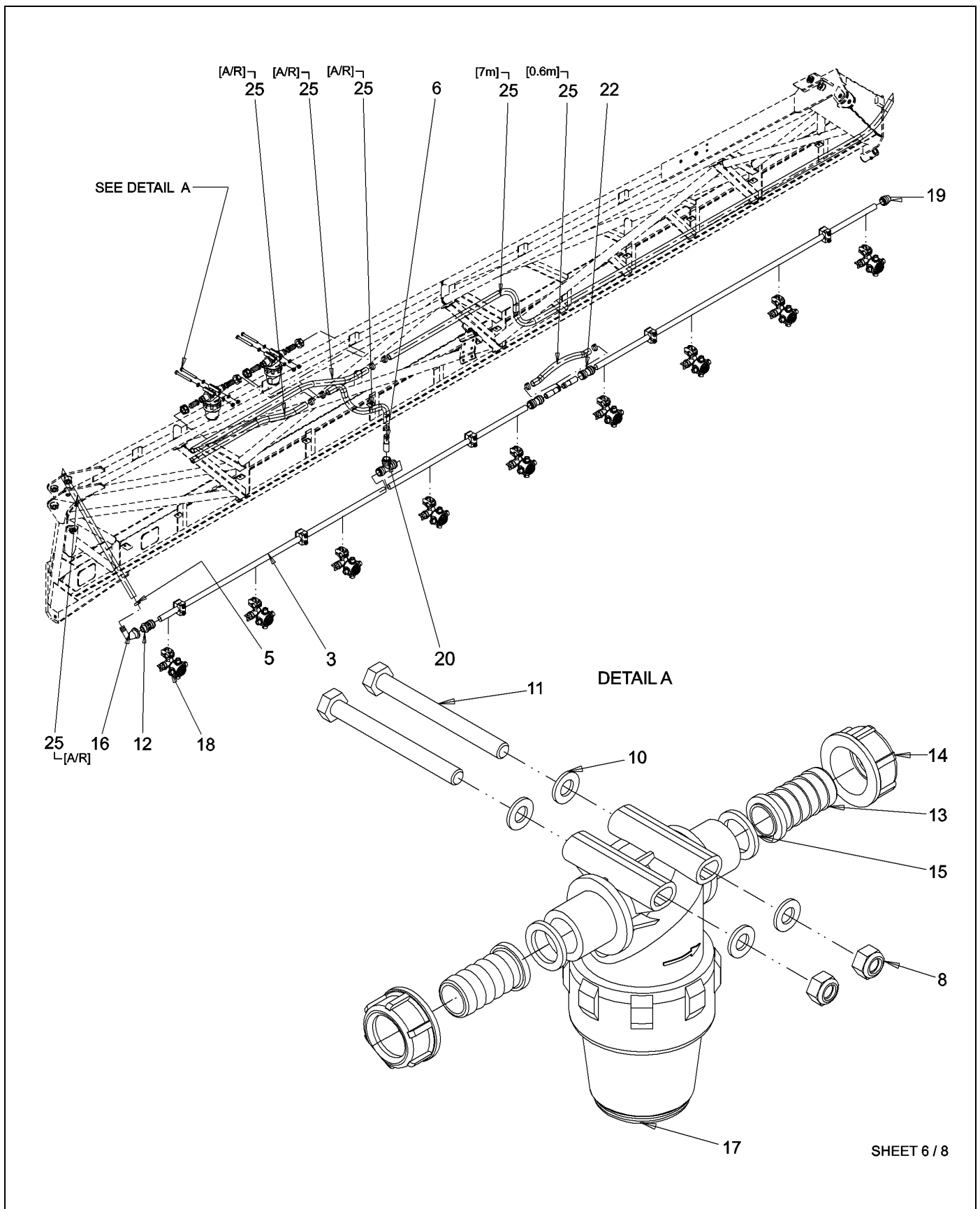
SHEET 5 / 8

612841-C-05.TIF



# PLUMBING INSTL-12/24M,4SECT

ITEM	PART #	QTY	DESCRIPTION	COMMENTS
1	AG614997	2	TUBE-22ODX1100MM,SS (3HOLES)	
5	AG691071	24	CLAMP-HOSE,25-26.5MM,SS	
12	E200029	8	ADAPTER-STR,AUTOLO,22MMX3/MBSP	
16	E200033	10	HOSE BARB-90DEG,3/4FBSPX20MM	
18	E200035	48	BODY-NOZZLE,QUATRO,1/2IN,TEEJE	
19	E200036	8	CAP-AUTOLOCK,22MM	
25	E502212	-	HOSE-CHEMICAL,16MM ID,20BAR [BULK: 0.00 METER]	

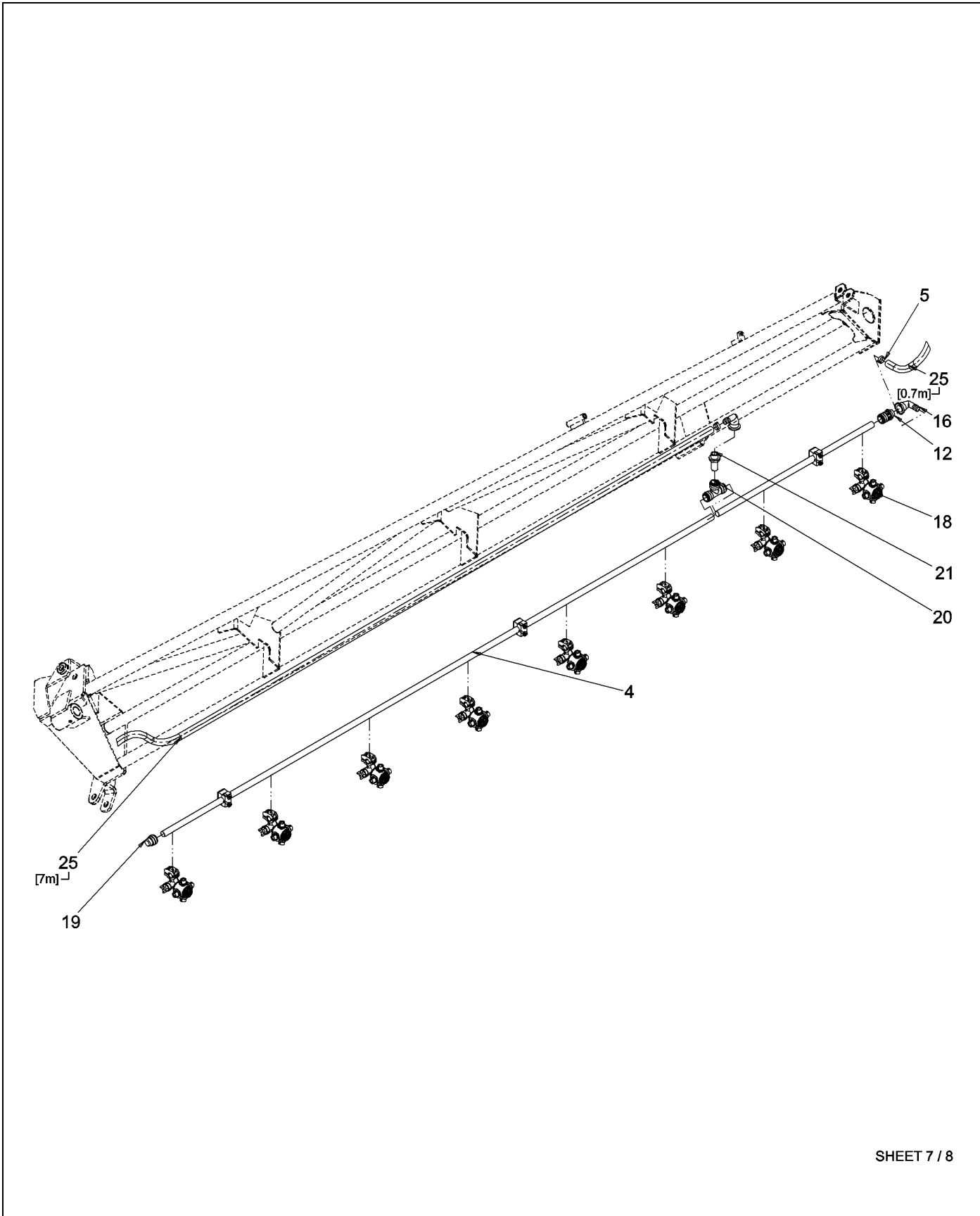


SHEET 6 / 8

612841-C-06.TIF

# PLUMBING INSTL-12/24M,4SECT

ITEM	PART #	QTY	DESCRIPTION	COMMENTS
3	AG614999	2	TUBE-22ODX2100MM,SS (5HOLES)	
5	AG691071	24	CLAMP-HOSE,25-26.5MM,SS	
6	AG691255	6	HOSE BARB-CONN,22MMX1/2IN,AL	
8	E105163	8	NUT-M8,,,SS,ISO7040	
10	E105318	16	WASHER-M8,SS,ISO7089	
11	E130538	8	BOLT-M8X80,,,SS,ISO4014	
12	E200029	8	ADAPTER-STR,AUTOLO,22MMX3/MBSP	
13	E200030	8	HOSE BARB-20MM BARB,PP(E200031	
14	E200031	8	NUT-3/4FBSP,PP (E200030)	
15	E200032	8	RING-SEAL (E200030)	
16	E200033	10	HOSE BARB-90DEG,3/4FBSPX20MM	
17	E200034	4	FILTER ASM-PRESS,3/4MBSP,50BLU	
18	E200035	48	BODY-NOZZLE,QUATRO,1/2IN,TEEJE	
19	E200036	8	CAP-AUTOLOCK,22MM	
20	E200037	4	TEE-AUTOLOCK,22MM	
22	E200042	4	CONNECTOR-AUTOLOCK,22MM	
25	E502212	-	HOSE-CHEMICAL,16MM ID,20BAR [BULK: 0.00 METER]	

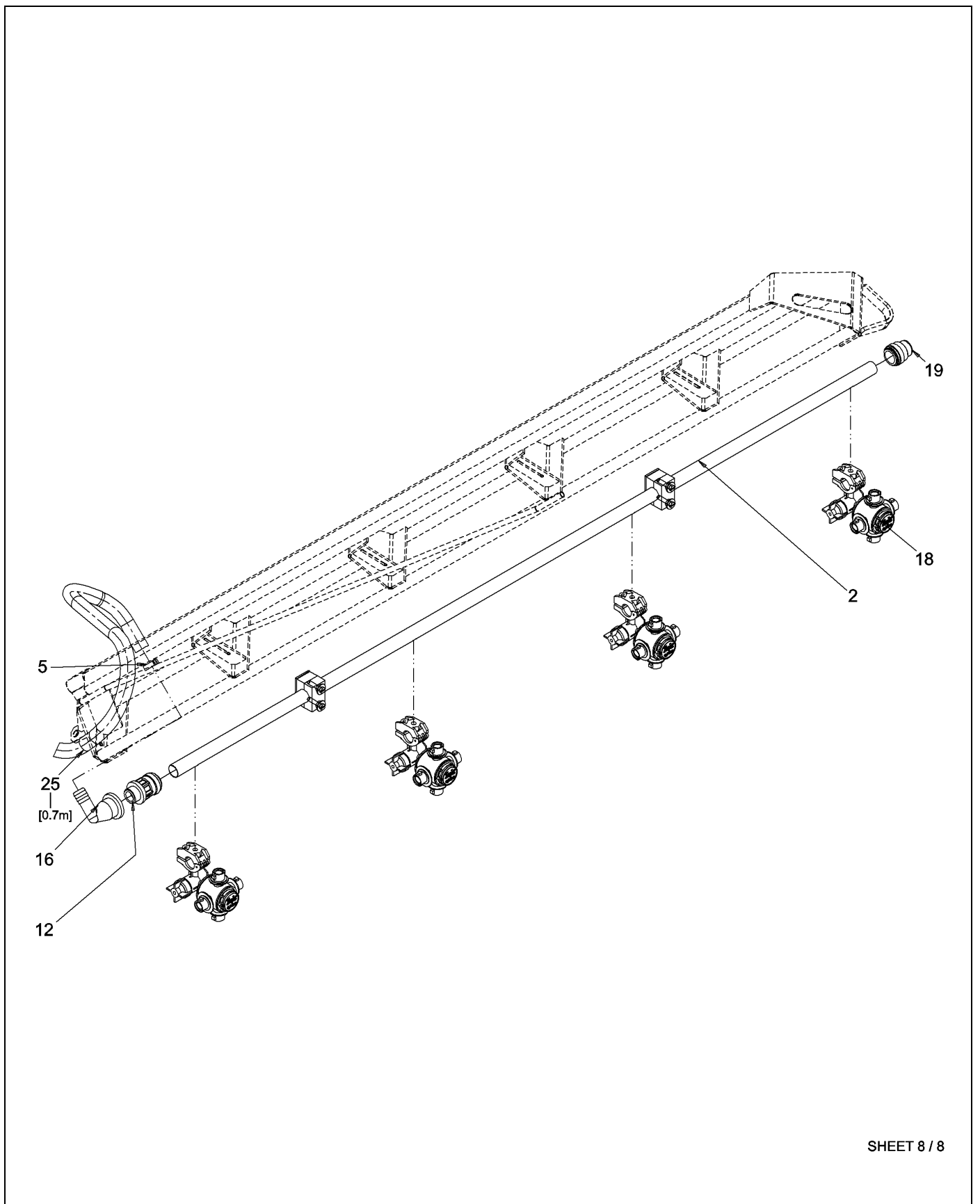


SHEET 7 / 8

612841-C-07.TIF

# PLUMBING INSTL-12/24M,4SECT

ITEM	PART #	QTY	DESCRIPTION	COMMENTS
4	AG615002	2	TUBE-22ODX3600MM,SS (8HOLES)	
5	AG691071	24	CLAMP-HOSE,25-26.5MM,SS	
12	E200029	8	ADAPTER-STR,AUTOLO,22MMX3/MBSP	
16	E200033	10	HOSE BARB-90DEG,3/4FBSPX20MM	
18	E200035	48	BODY-NOZZLE,QUATRO,1/2IN,TEEJE	
19	E200036	8	CAP-AUTOLOCK,22MM	
20	E200037	4	TEE-AUTOLOCK,22MM	
21	E200038	2	HOSE BARB-3/4MBSPX22MM BARB	
25	E502212	-	HOSE-CHEMICAL,16MM ID,20BAR [BULK: 0.00 METER]	

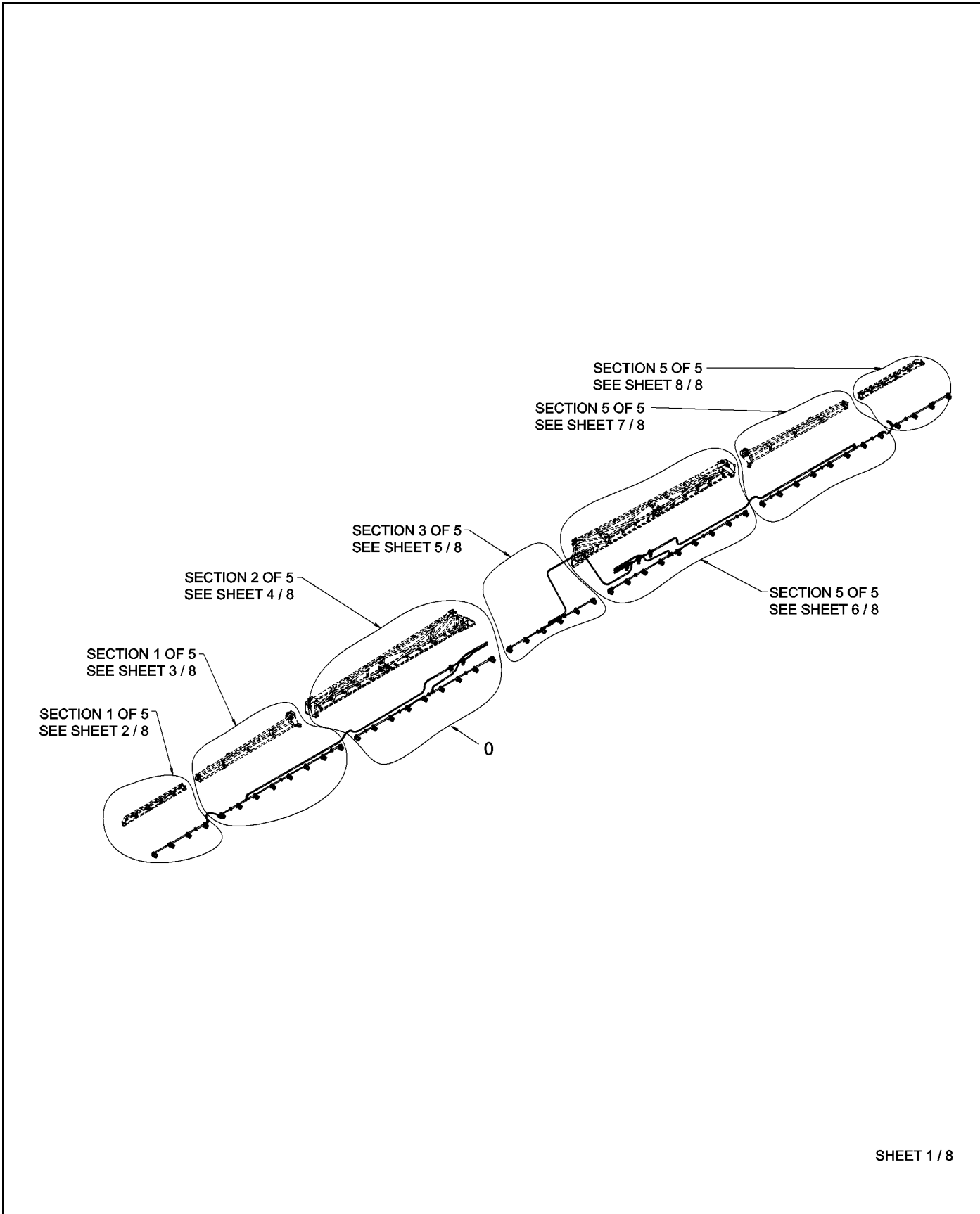


SHEET 8 / 8

612841-C-08.TIF

# PLUMBING INSTL-12/24M,4SECT

ITEM	PART #	QTY	DESCRIPTION	COMMENTS
2	AG614998	4	TUBE-22ODX1600MM,SS (4HOLES)	
5	AG691071	24	CLAMP-HOSE,25-26.5MM,SS	
12	E200029	8	ADAPTER-STR,AUTOLO,22MMX3/MBSP	
16	E200033	10	HOSE BARB-90DEG,3/4FBSPX20MM	
18	E200035	48	BODY-NOZZLE,QUATRO,1/2IN,TEEJE	
19	E200036	8	CAP-AUTOLOCK,22MM	
25	E502212	-	HOSE-CHEMICAL,16MM ID,20BAR [BULK: 0.00 METER]	



SHEET 1 / 8

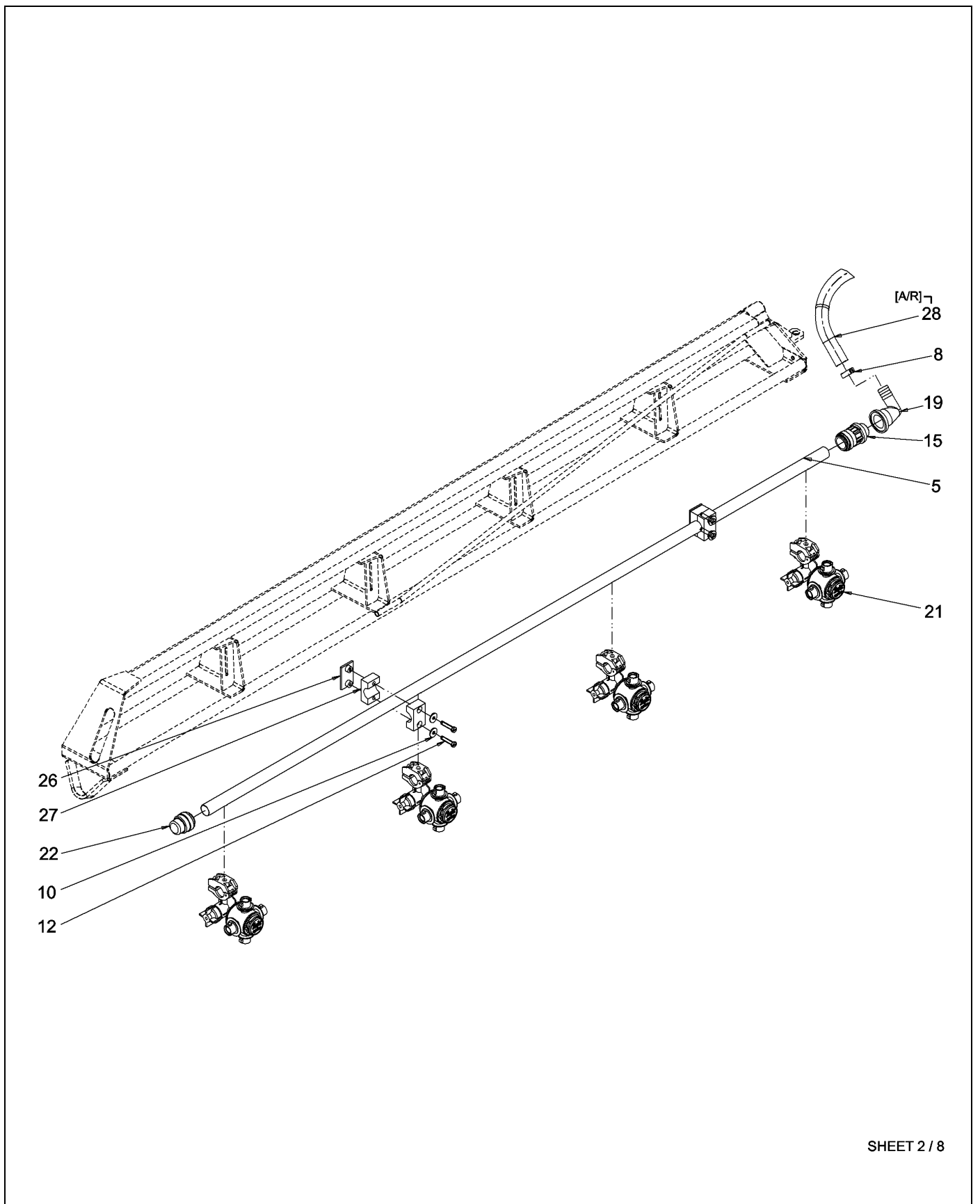
612846-C-01.TIF



# PLUMBING INSTL-12/24M,5SECT

---

ITEM	PART #	QTY	DESCRIPTION	COMMENTS
REF	XXXXXX	0	DETAIL DRAWING	

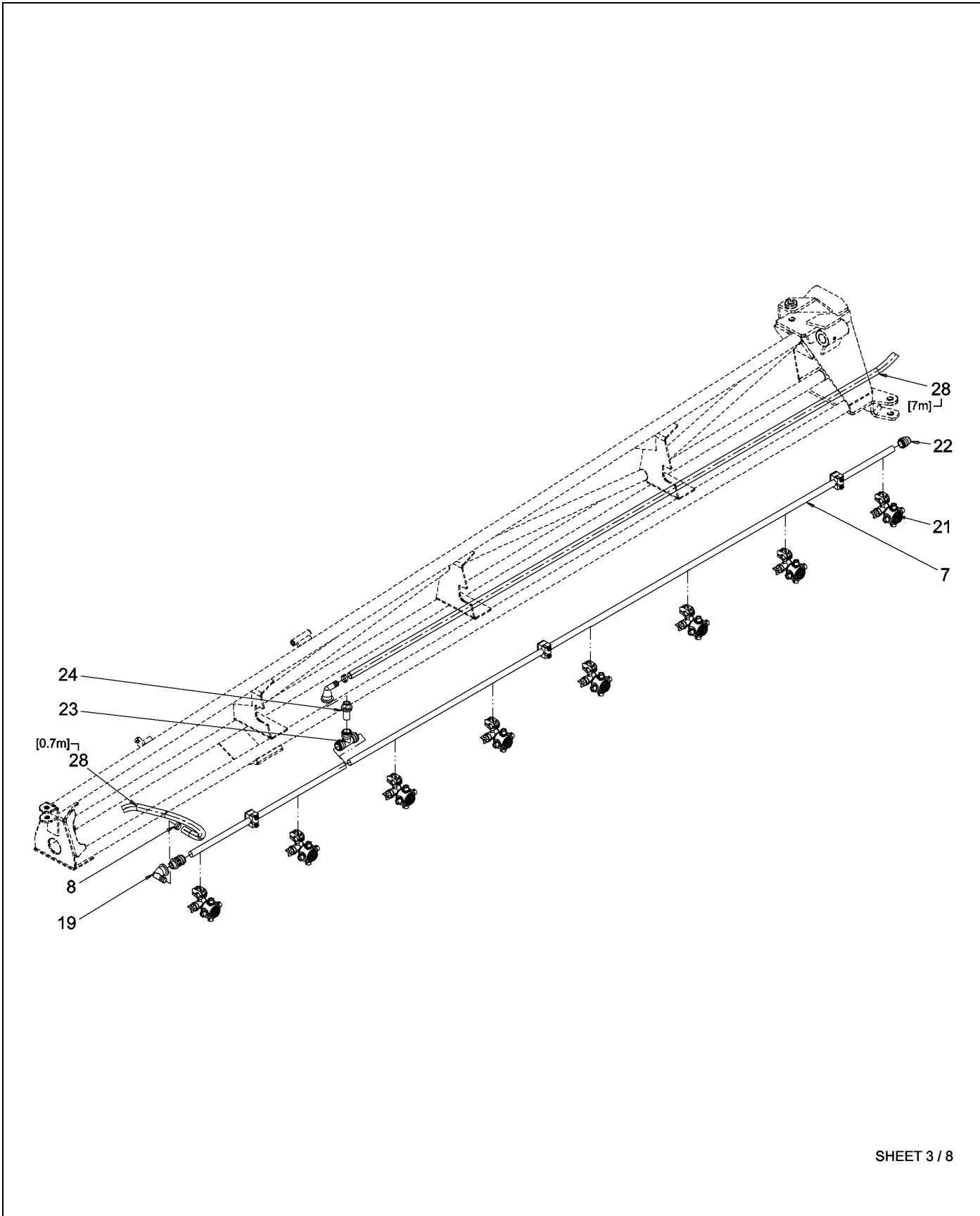


SHEET 2 / 8

612846-C-02.TIF

# PLUMBING INSTL-12/24M,5SECT

ITEM	PART #	QTY	DESCRIPTION	COMMENTS
5	AG614998	4	TUBE-22ODX1600MM,SS (4HOLES)	
8	AG691071	27	CLAMP-HOSE,25-26.5MM,SS	
10	E100024	48	WASHER-M6,,ISO7093	
12	E105220	48	BOLT-M6X30,,SS,ISO1207	
15	E200029	6	ADAPTER-STR,AUTOLO,22MMX3/MBSP	
19	E200033	6	HOSE BARB-90DEG,3/4FBSPX20MM	
21	E200035	48	BODY-NOZZLE,QUATRO,1/2IN,TEEJE	
22	E200036	10	CAP-AUTOLOCK,22MM	
26	E220034	25	PLATE-WELD,CLAMP SGL 20/22/25	
27	E220044	48	CLAMP-SINGLE,22,PP (2 PIECES)	
28	E502212	-	HOSE-CHEMICAL,16MM ID,20BAR [BULK: 0.00 METER]	

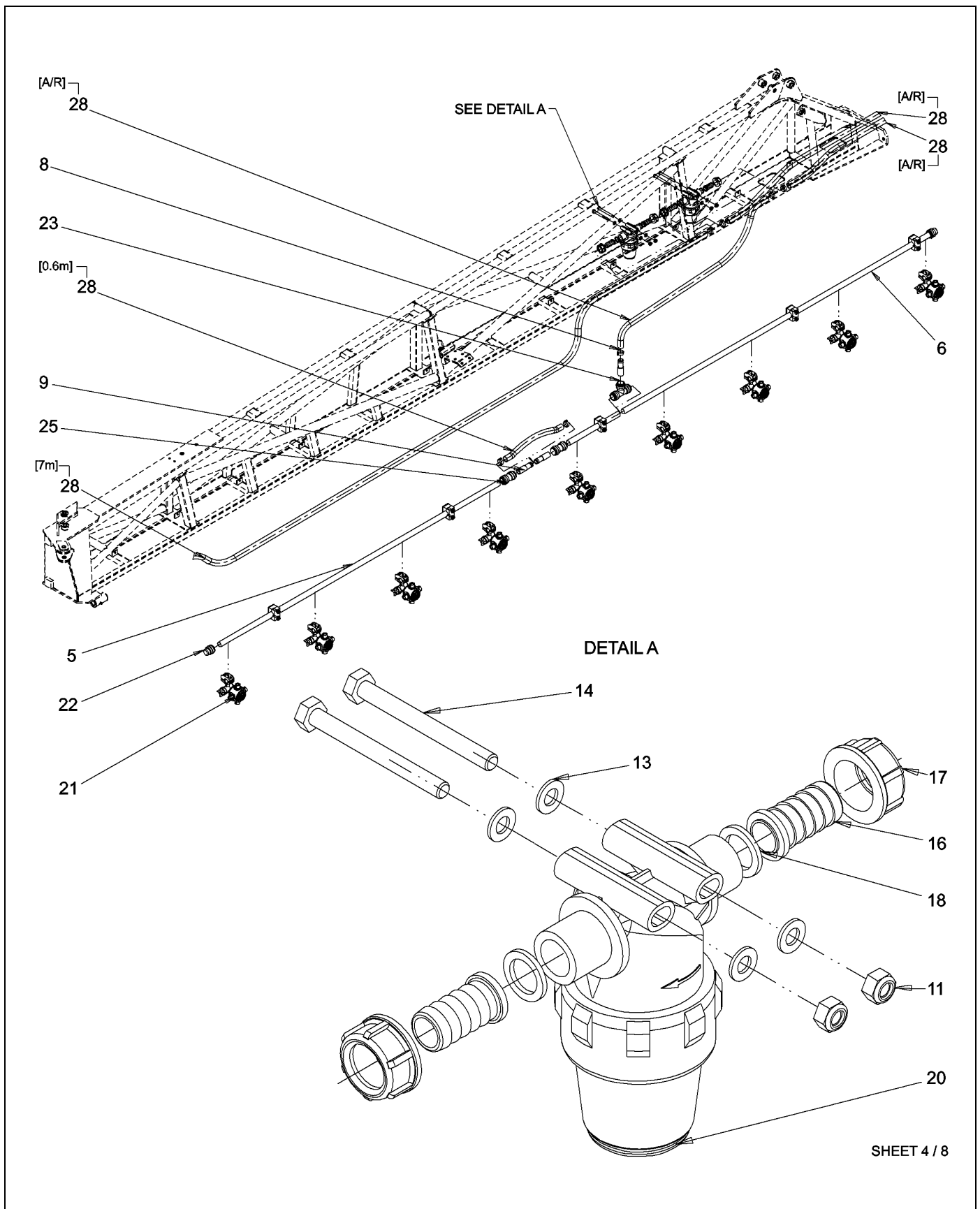


SHEET 3 / 8

612846-C-03.TIF

# PLUMBING INSTL-12/24M,5SECT

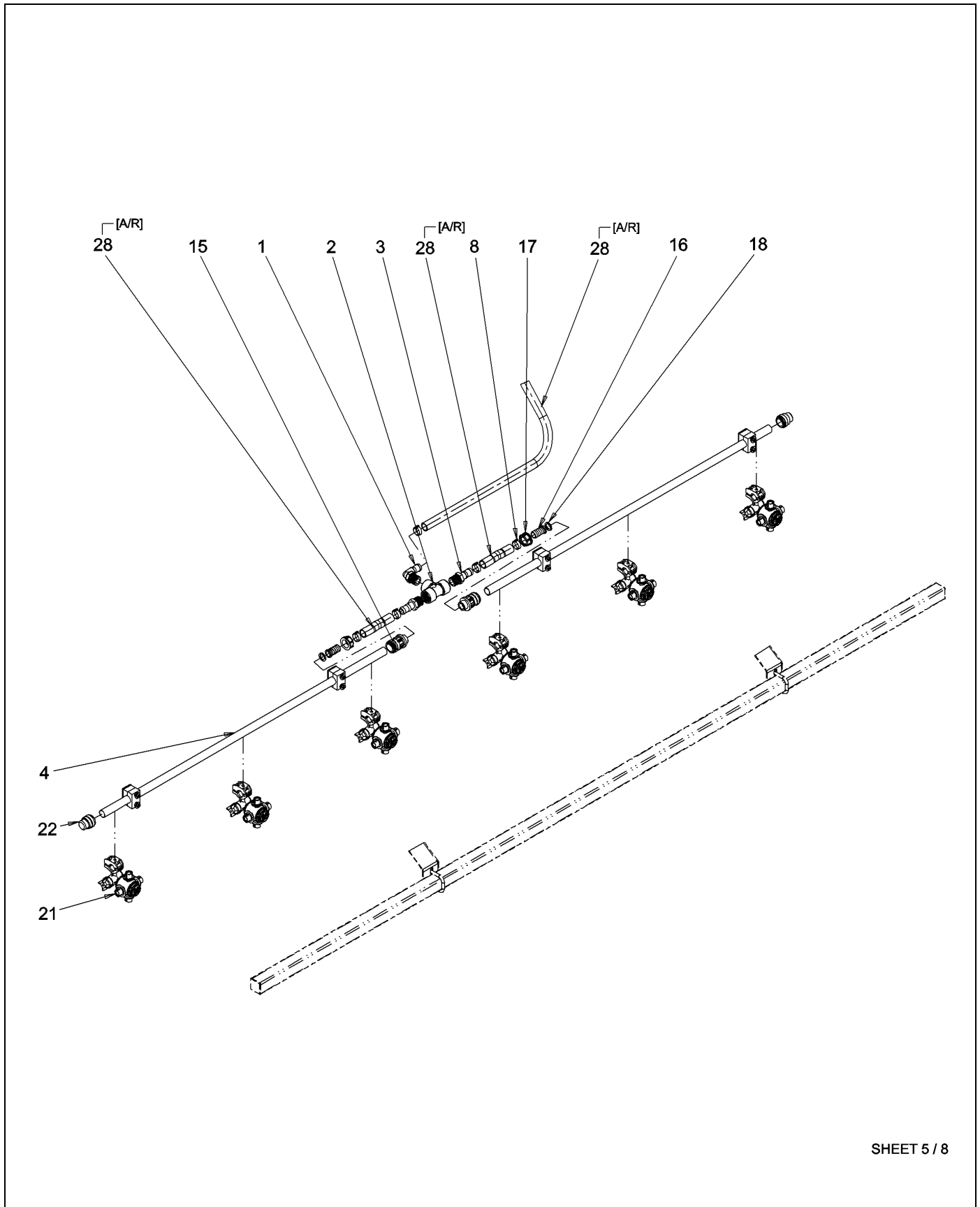
ITEM	PART #	QTY	DESCRIPTION	COMMENTS
7	AG615002	2	TUBE-22ODX3600MM,SS (8HOLES)	
8	AG691071	27	CLAMP-HOSE,25-26.5MM,SS	
19	E200033	6	HOSE BARB-90DEG,3/4FBSPX20MM	
21	E200035	48	BODY-NOZZLE,QUATRO,1/2IN,TEEJE	
22	E200036	10	CAP-AUTOLOCK,22MM	
23	E200037	4	TEE-AUTOLOCK,22MM	
24	E200038	2	HOSE BARB-3/4MBSPX22MM BARB	
28	E502212	-	HOSE-CHEMICAL,16MM ID,20BAR [BULK: 0.00 METER]	



612846-C-04.TIF

# PLUMBING INSTL-12/24M,5SECT

ITEM	PART #	QTY	DESCRIPTION	COMMENTS
5	AG614998	4	TUBE-22ODX1600MM,SS (4HOLES)	
6	AG614999	2	TUBE-22ODX2100MM,SS (5HOLES)	
8	AG691071	27	CLAMP-HOSE,25-26.5MM,SS	
9	AG691255	6	HOSE BARB-CONN,22MMX1/2IN,AL	
11	E105163	10	NUT-M8,,,SS,ISO7040	
13	E105318	20	WASHER-M8,SS,ISO7089	
14	E130538	10	BOLT-M8X80,,,SS,ISO4014	
16	E200030	12	HOSE BARB-20MM BARB,PP(E200031	
17	E200031	12	NUT-3/4FBSP,PP (E200030)	
18	E200032	12	RING-SEAL (E200030)	
20	E200034	5	FILTER ASM-PRESS,3/4MBSP,50BLU	
21	E200035	48	BODY-NOZZLE,QUATRO,1/2IN,TEEJE	
22	E200036	10	CAP-AUTOLOCK,22MM	
23	E200037	4	TEE-AUTOLOCK,22MM	
25	E200042	4	CONNECTOR-AUTOLOCK,22MM	
28	E502212	-	HOSE-CHEMICAL,16MM ID,20BAR [BULK: 0.00 METER]	



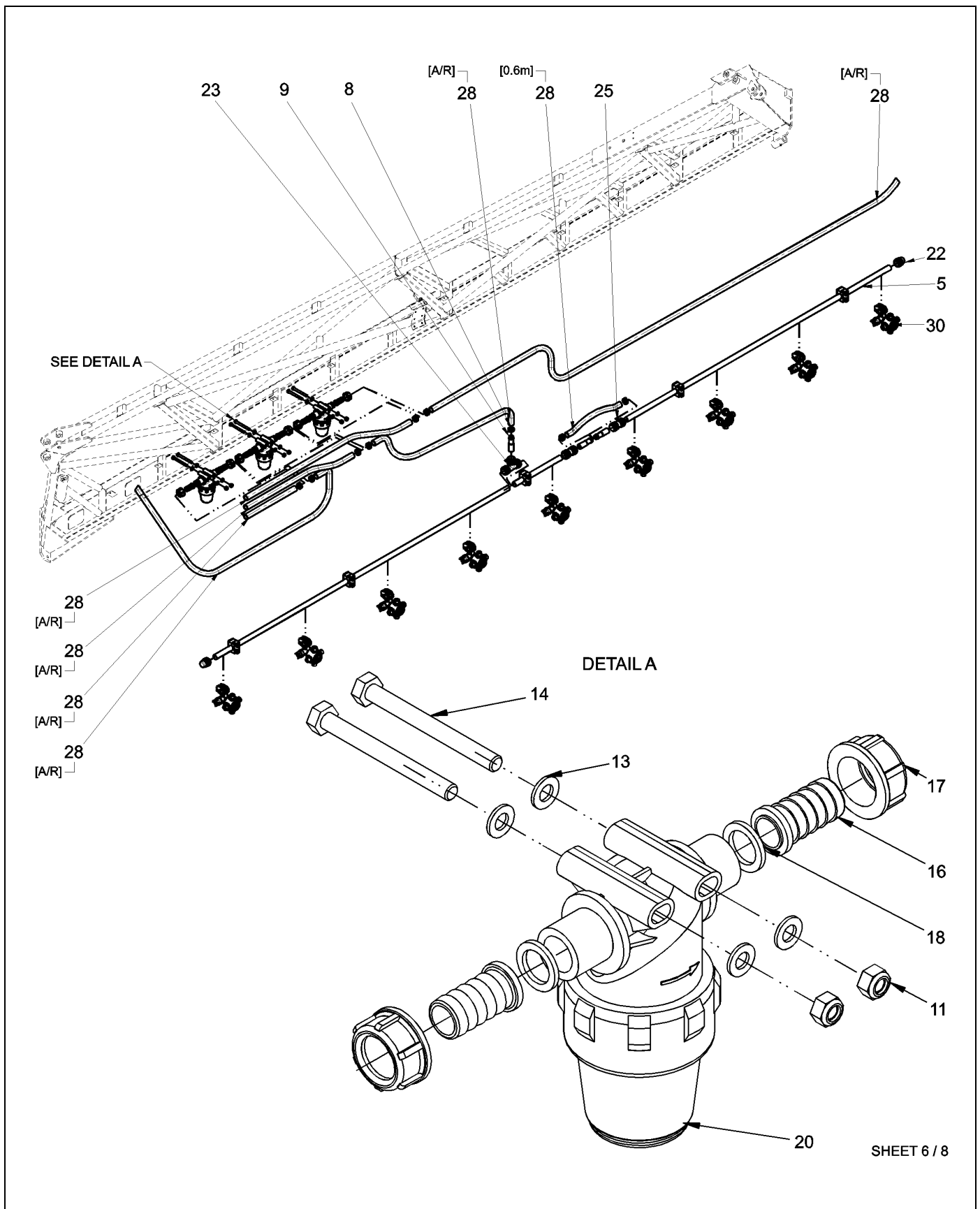
SHEET 5 / 8

612846-C-05.TIF



# PLUMBING INSTL-12/24M,5SECT

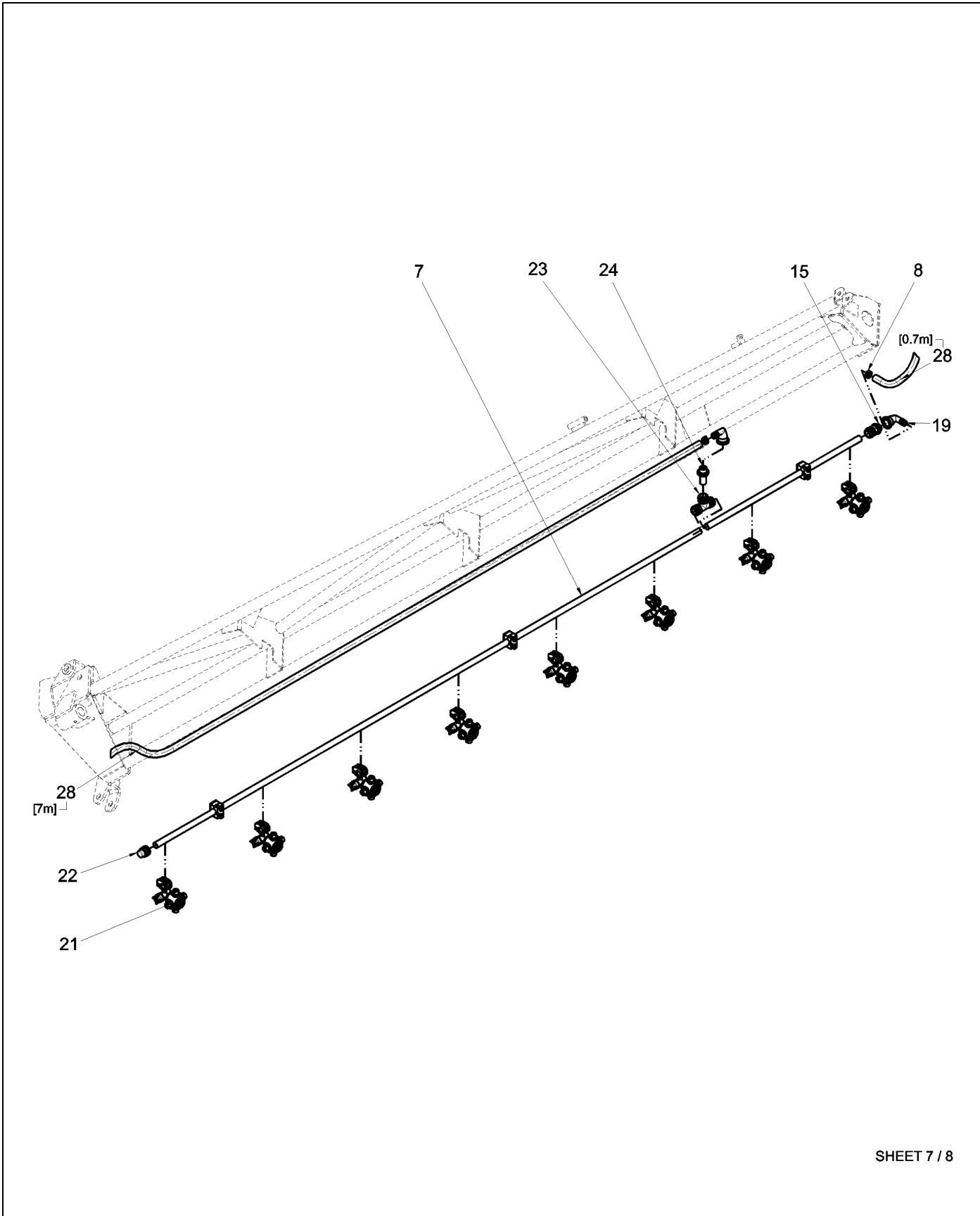
ITEM	PART #	QTY	DESCRIPTION	COMMENTS
1	AG051142	1	HOSE BARB-90DEG,.75MNPTX.75,PP	
2	AG051161	1	TEE-PIPE,.75FNPT,PP	
3	AG051179	2	HOSE BARB-.75MNPTX.75BARB,PP	
4	AG614997	2	TUBE-22ODX1100MM,SS (3HOLES)	
8	AG691071	27	CLAMP-HOSE,25-26.5MM,SS	
15	E200029	6	ADAPTER-STR,AUTOLO,22MMX3/MBSP	
16	E200030	12	HOSE BARB-20MM BARB,PP(E200031	
17	E200031	12	NUT-3/4FBSP,PP (E200030)	
18	E200032	12	RING-SEAL (E200030)	
21	E200035	48	BODY-NOZZLE,QUATRO,1/2IN,TEEJE	
22	E200036	10	CAP-AUTOLOCK,22MM	
28	E502212	-	HOSE-CHEMICAL,16MM ID,20BAR [BULK: 0.00 METER]	



612846-C-06.TIF

# PLUMBING INSTL-12/24M,5SECT

ITEM	PART #	QTY	DESCRIPTION	COMMENTS
5	AG614998	4	TUBE-22ODX1600MM,SS (4HOLES)	
8	AG691071	27	CLAMP-HOSE,25-26.5MM,SS	
9	AG691255	6	HOSE BARB-CONN,22MMX1/2IN,AL	
11	E105163	10	NUT-M8,,,SS,ISO7040	
13	E105318	20	WASHER-M8,SS,ISO7089	
14	E130538	10	BOLT-M8X80,,,SS,ISO4014	
16	E200030	12	HOSE BARB-20MM BARB,PP(E200031	
17	E200031	12	NUT-3/4FBSP,PP (E200030)	
18	E200032	12	RING-SEAL (E200030)	
20	E200034	5	FILTER ASM-PRESS,3/4MBSP,50BLU	
22	E200036	10	CAP-AUTOLOCK,22MM	
23	E200037	4	TEE-AUTOLOCK,22MM	
25	E200042	4	CONNECTOR-AUTOLOCK,22MM	
28	E502212	-	HOSE-CHEMICAL,16MM ID,20BAR [BULK: 0.00 METER]	

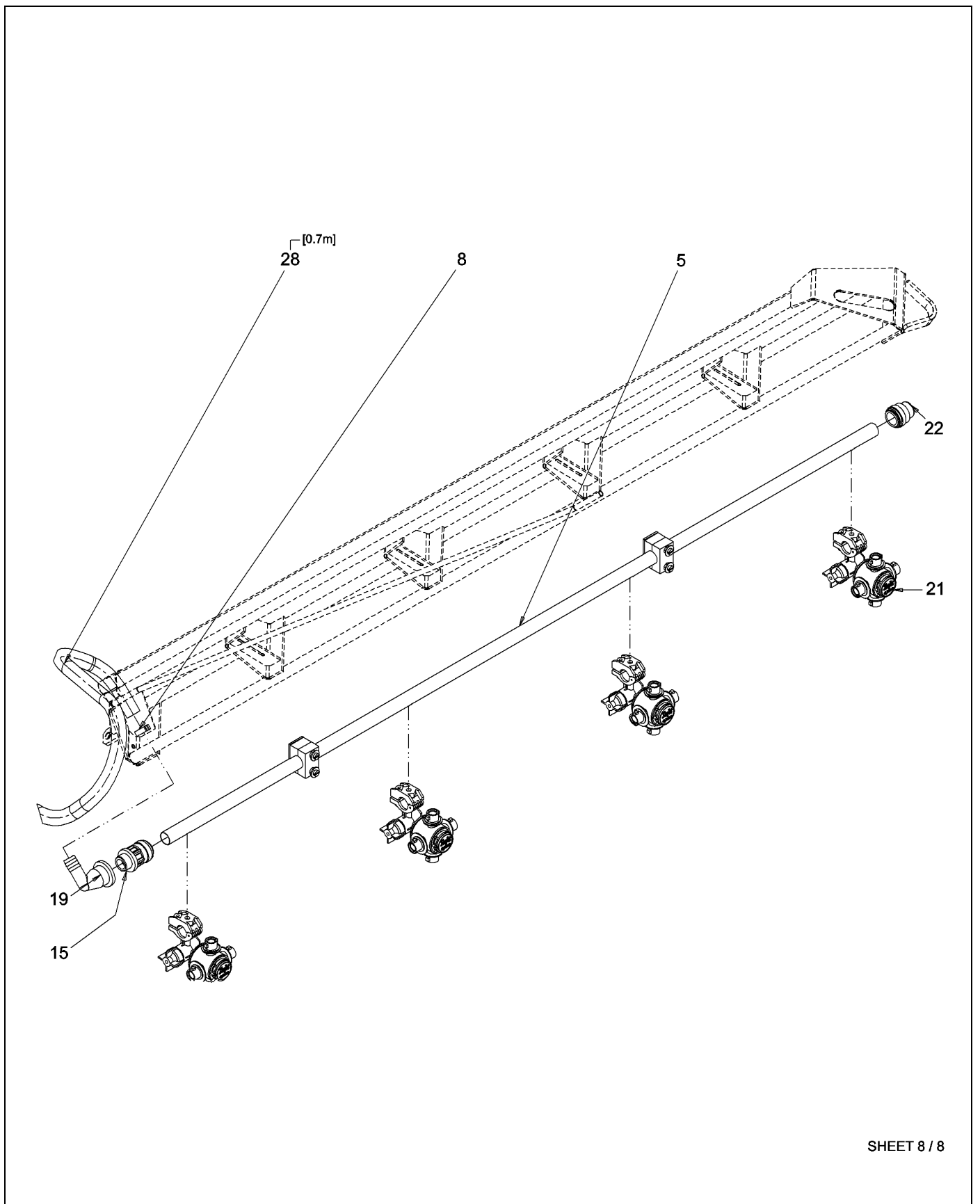


SHEET 7 / 8

612846-C-07.TIF

# PLUMBING INSTL-12/24M,5SECT

ITEM	PART #	QTY	DESCRIPTION	COMMENTS
7	AG615002	2	TUBE-22ODX3600MM,SS (8HOLES)	
8	AG691071	27	CLAMP-HOSE,25-26.5MM,SS	
15	E200029	6	ADAPTER-STR,AUTOLO,22MMX3/MBSP	
19	E200033	6	HOSE BARB-90DEG,3/4FBSPX20MM	
21	E200035	48	BODY-NOZZLE,QUATRO,1/2IN,TEEJE	
22	E200036	10	CAP-AUTOLOCK,22MM	
23	E200037	4	TEE-AUTOLOCK,22MM	
24	E200038	2	HOSE BARB-3/4MBSPX22MM BARB	
28	E502212	-	HOSE-CHEMICAL,16MM ID,20BAR [BULK: 0.00 METER]	

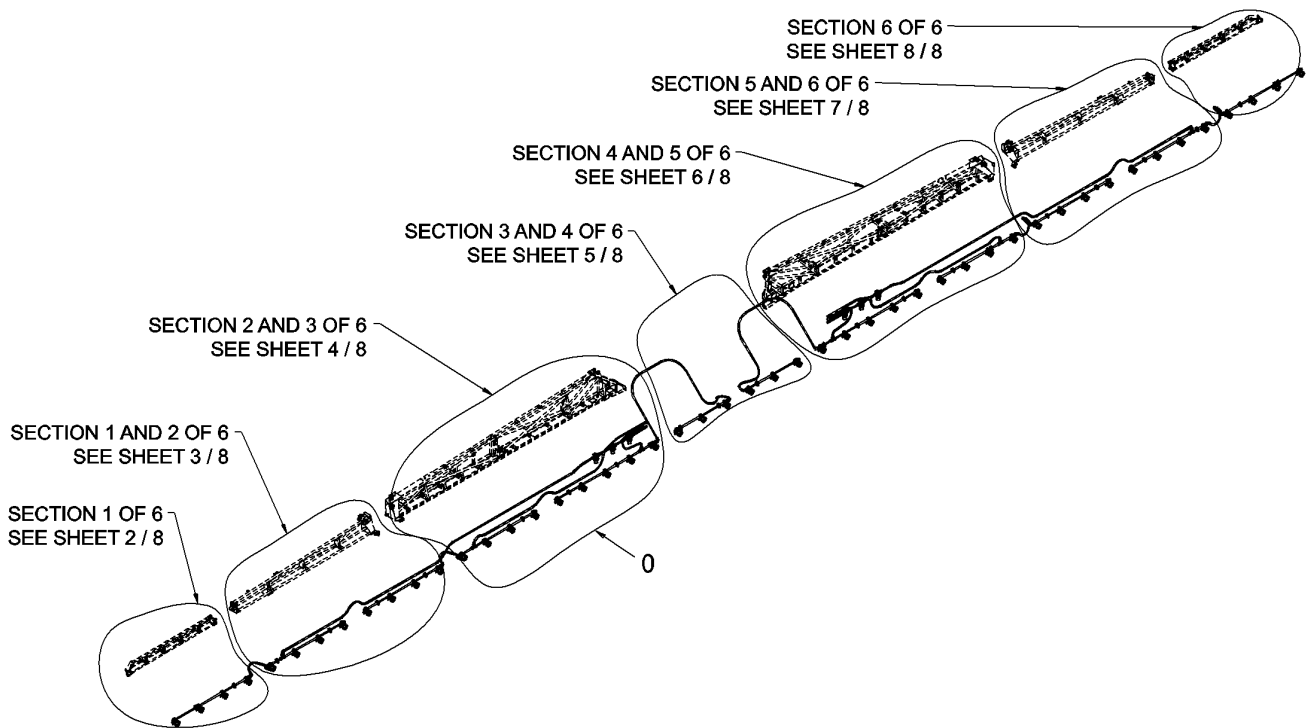


SHEET 8 / 8

612846-C-08.TIF

# PLUMBING INSTL-12/24M,5SECT

ITEM	PART #	QTY	DESCRIPTION	COMMENTS
5	AG614998	4	TUBE-22ODX1600MM,SS (4HOLES)	
8	AG691071	27	CLAMP-HOSE,25-26.5MM,SS	
15	E200029	6	ADAPTER-STR,AUTOLO,22MMX3/MBSP	
19	E200033	6	HOSE BARB-90DEG,3/4FBSPX20MM	
21	E200035	48	BODY-NOZZLE,QUATRO,1/2IN,TEEJE	
22	E200036	10	CAP-AUTOLOCK,22MM	
28	E502212	-	HOSE-CHEMICAL,16MM ID,20BAR [BULK: 0.00 METER]	



SHEET 1 / 8

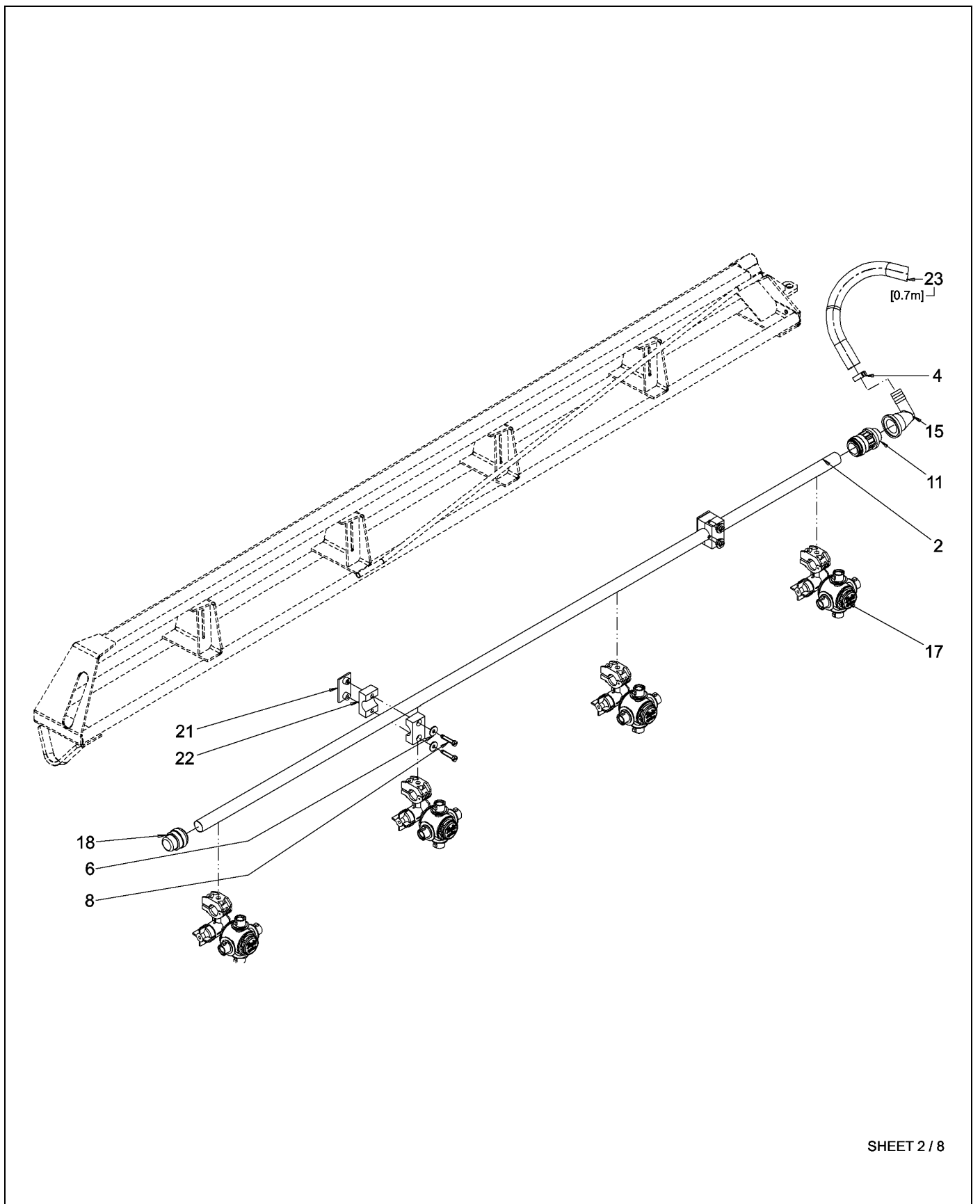
612848-C-01.TIF



# PLUMBING INSTL-12/24M,6SECT

---

ITEM	PART #	QTY	DESCRIPTION	COMMENTS
REF	XXXXXX	0	DETAIL DRAWING	

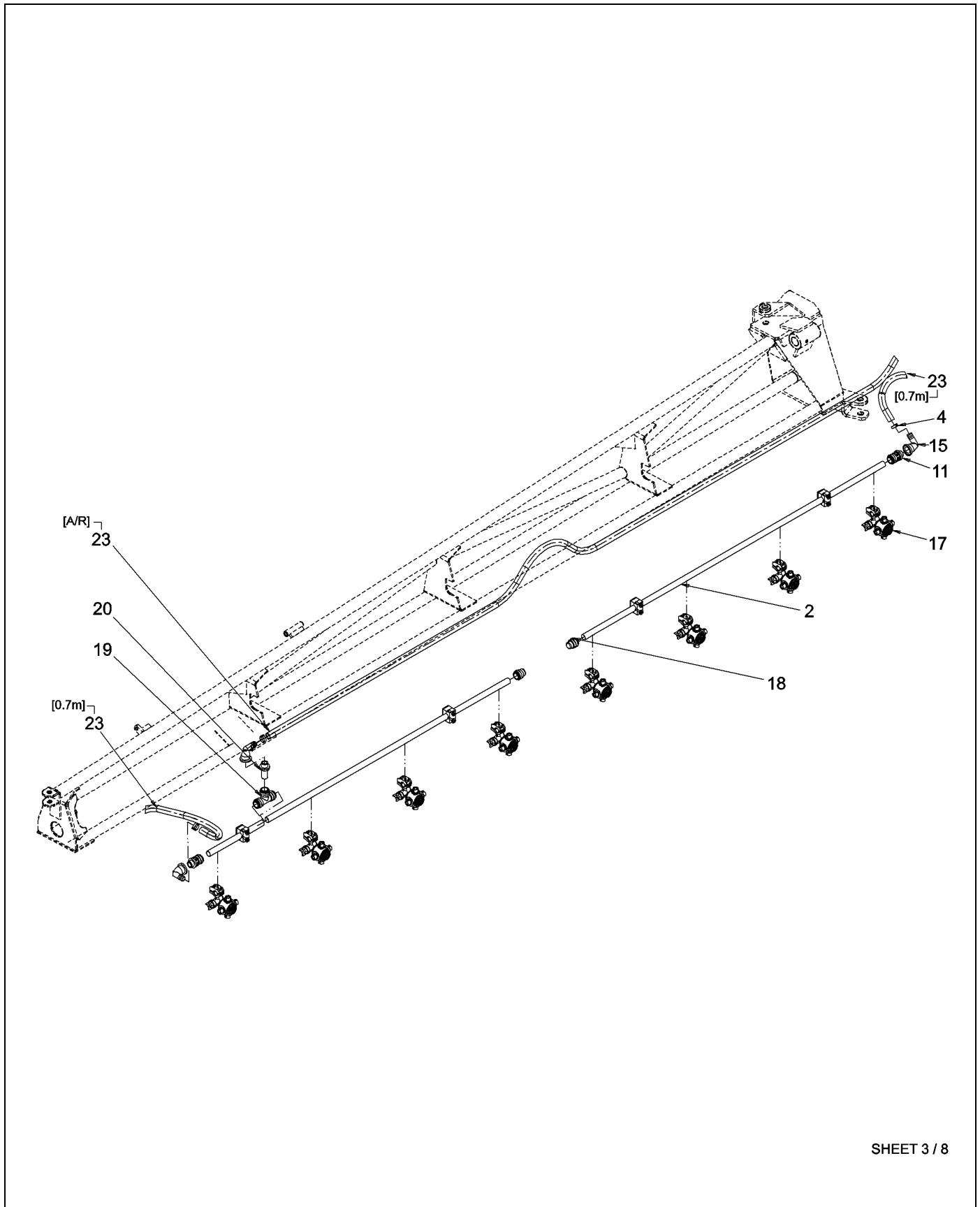


SHEET 2 / 8

612848-C-02.TIF

# PLUMBING INSTL-12/24M,6SECT

ITEM	PART #	QTY	DESCRIPTION	COMMENTS
2	AG614998	8	TUBE-22ODX1600MM,SS (4HOLES)	
4	AG691071	30	CLAMP-HOSE,25-26.5MM,SS	
6	E100024	52	WASHER-M6,,ISO7093	
8	E105220	52	BOLT-M6X30,,SS,ISO1207	
11	E200029	12	ADAPTER-STR,AUTOLO,22MMX3/MBSP	
15	E200033	14	HOSE BARB-90DEG,3/4FBSPX20MM	
17	E200035	48	BODY-NOZZLE,QUATRO,1/2IN,TEEJE	
18	E200036	12	CAP-AUTOLOCK,22MM	
21	E220034	26	PLATE-WELD,CLAMP SGL 20/22/25	
22	E220044	53	CLAMP-SINGLE,22,PP (2 PIECES)	
23	E502212	-	HOSE-CHEMICAL,16MM ID,20BAR [BULK: 0.00 METER]	

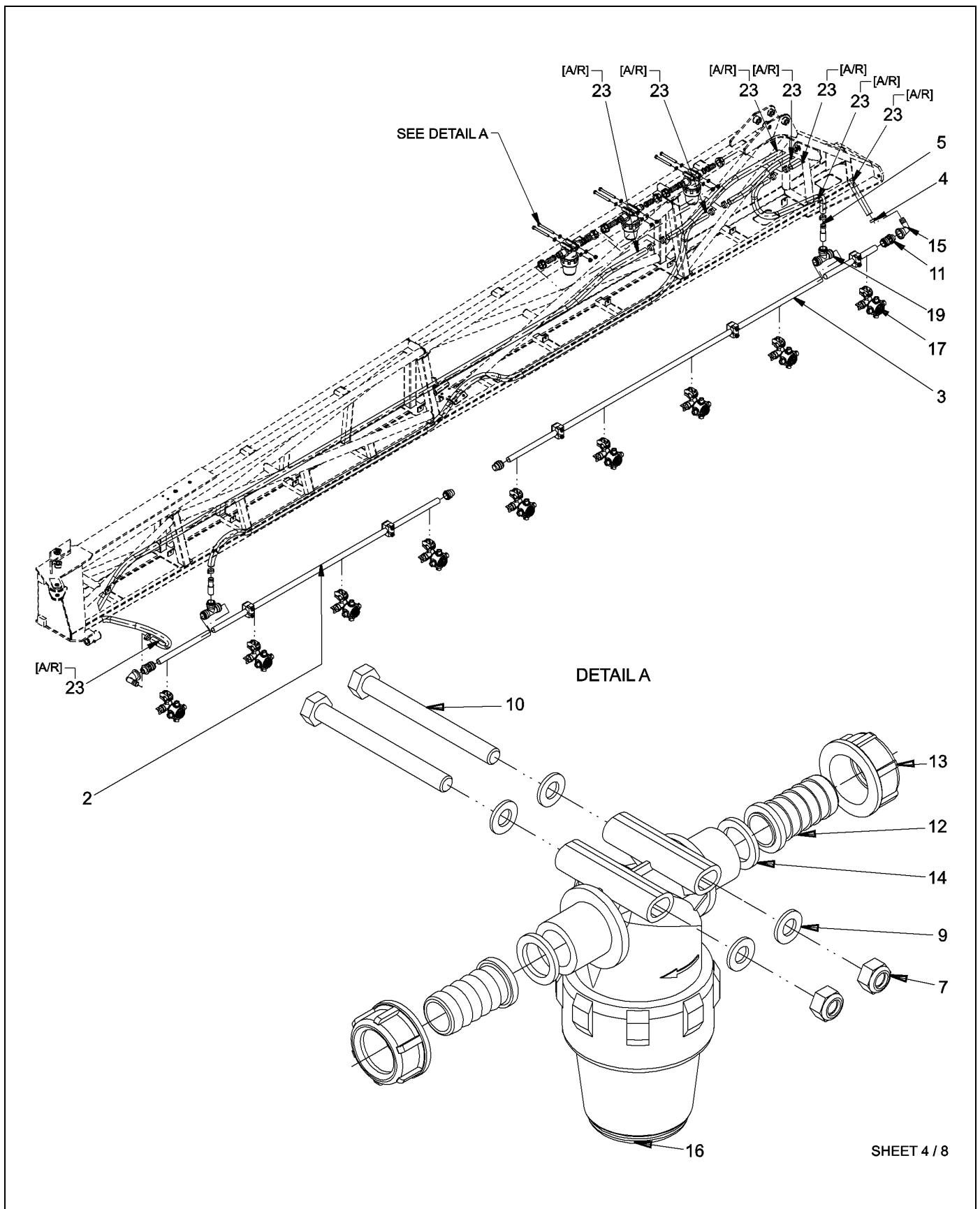


SHEET 3 / 8

612848-C-03.TIF

# PLUMBING INSTL-12/24M,6SECT

ITEM	PART #	QTY	DESCRIPTION	COMMENTS
2	AG614998	8	TUBE-22ODX1600MM,SS (4HOLES)	
4	AG691071	30	CLAMP-HOSE,25-26.5MM,SS	
11	E200029	12	ADAPTER-STR,AUTOLO,22MMX3/MBSP	
15	E200033	14	HOSE BARB-90DEG,3/4FBSPX20MM	
17	E200035	48	BODY-NOZZLE,QUATRO,1/2IN,TEEJE	
18	E200036	12	CAP-AUTOLOCK,22MM	
19	E200037	6	TEE-AUTOLOCK,22MM	
20	E200038	2	HOSE BARB-3/4MBSPX22MM BARB	
23	E502212	-	HOSE-CHEMICAL,16MM ID,20BAR [BULK: 0.00 METER]	

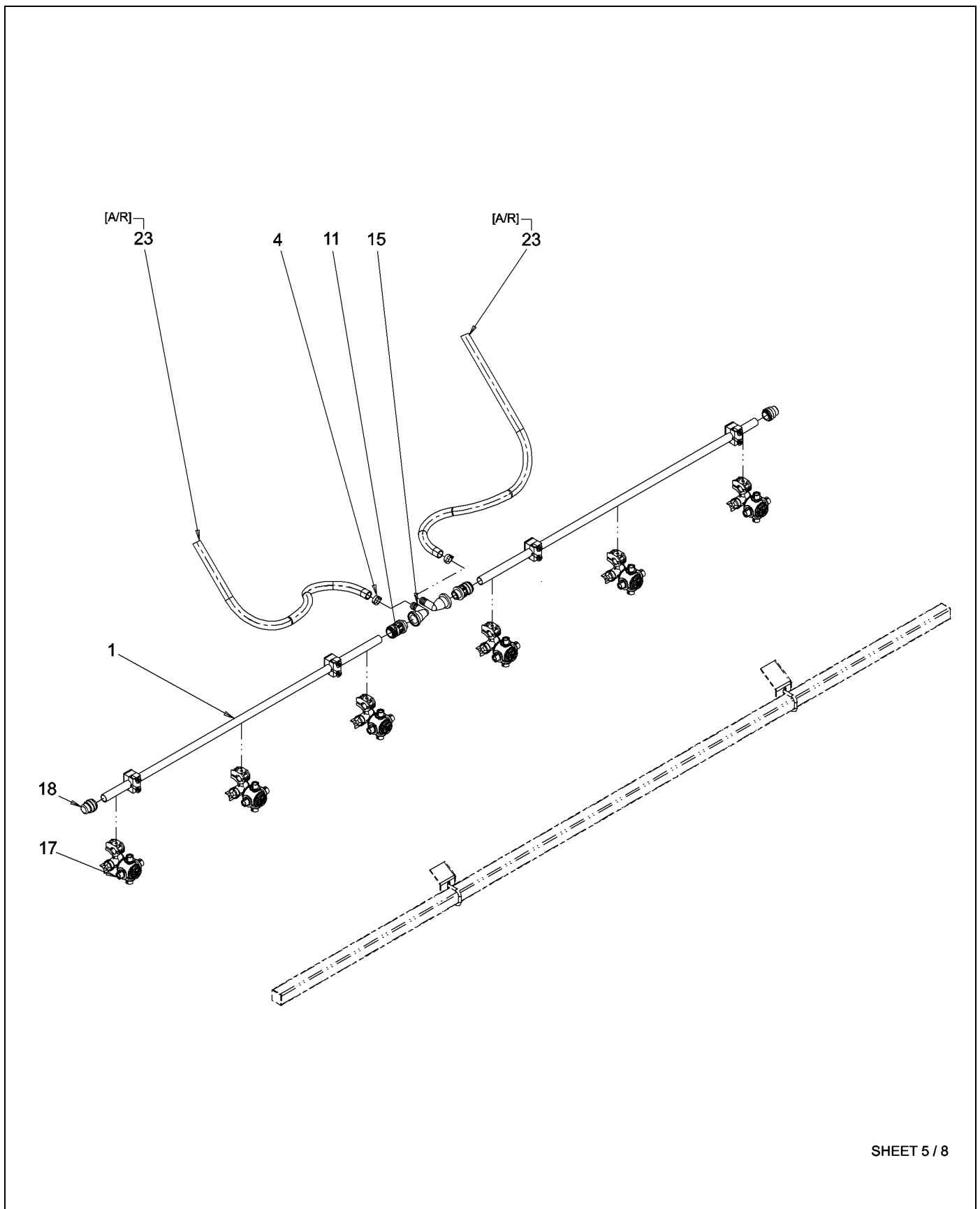


SHEET 4 / 8

612848-C-04.TIF

# PLUMBING INSTL-12/24M,6SECT

ITEM	PART #	QTY	DESCRIPTION	COMMENTS
2	AG614998	8	TUBE-22ODX1600MM,SS (4HOLES)	
3	AG614999	2	TUBE-22ODX2100MM,SS (5HOLES)	
4	AG691071	30	CLAMP-HOSE,25-26.5MM,SS	
5	AG691255	4	HOSE BARB-CONN,22MMX1/2IN,AL	
7	E105163	12	NUT-M8,,,SS,ISO7040	
9	E105318	24	WASHER-M8,SS,ISO7089	
10	E130538	12	BOLT-M8X80,,,SS,ISO4014	
11	E200029	12	ADAPTER-STR,AUTOLO,22MMX3/MBSP	
12	E200030	12	HOSE BARB-20MM BARB,PP(E200031	
13	E200031	12	NUT-3/4FBSP,PP (E200030)	
14	E200032	12	RING-SEAL (E200030)	
15	E200033	14	HOSE BARB-90DEG,3/4FBSPX20MM	
16	E200034	6	FILTER ASM-PRESS,3/4MBSP,50BLU	
17	E200035	48	BODY-NOZZLE,QUATRO,1/2IN,TEEJE	
19	E200037	6	TEE-AUTOLOCK,22MM	
23	E502212	-	HOSE-CHEMICAL,16MM ID,20BAR [BULK: 0.00 METER]	



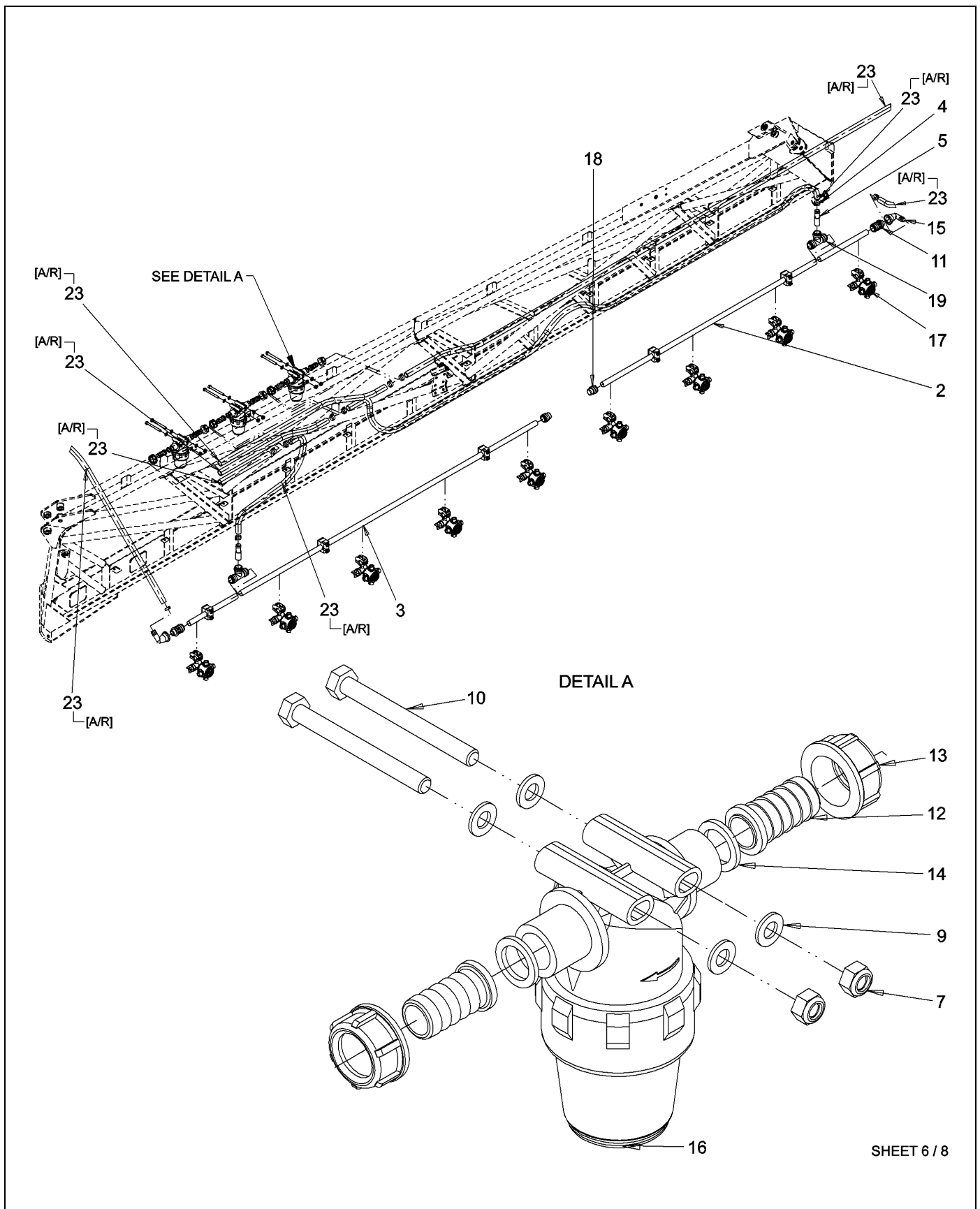
SHEET 5 / 8

612848-C-05.TIF



# PLUMBING INSTL-12/24M,6SECT

ITEM	PART #	QTY	DESCRIPTION	COMMENTS
1	AG614997	2	TUBE-22ODX1100MM,SS (3HOLES)	
4	AG691071	30	CLAMP-HOSE,25-26.5MM,SS	
11	E200029	12	ADAPTER-STR,AUTOLO,22MMX3/MBSP	
15	E200033	14	HOSE BARB-90DEG,3/4FBSPX20MM	
17	E200035	48	BODY-NOZZLE,QUATRO,1/2IN,TEEJE	
18	E200036	12	CAP-AUTOLOCK,22MM	
23	E502212	-	HOSE-CHEMICAL,16MM ID,20BAR [BULK: 0.00 METER]	

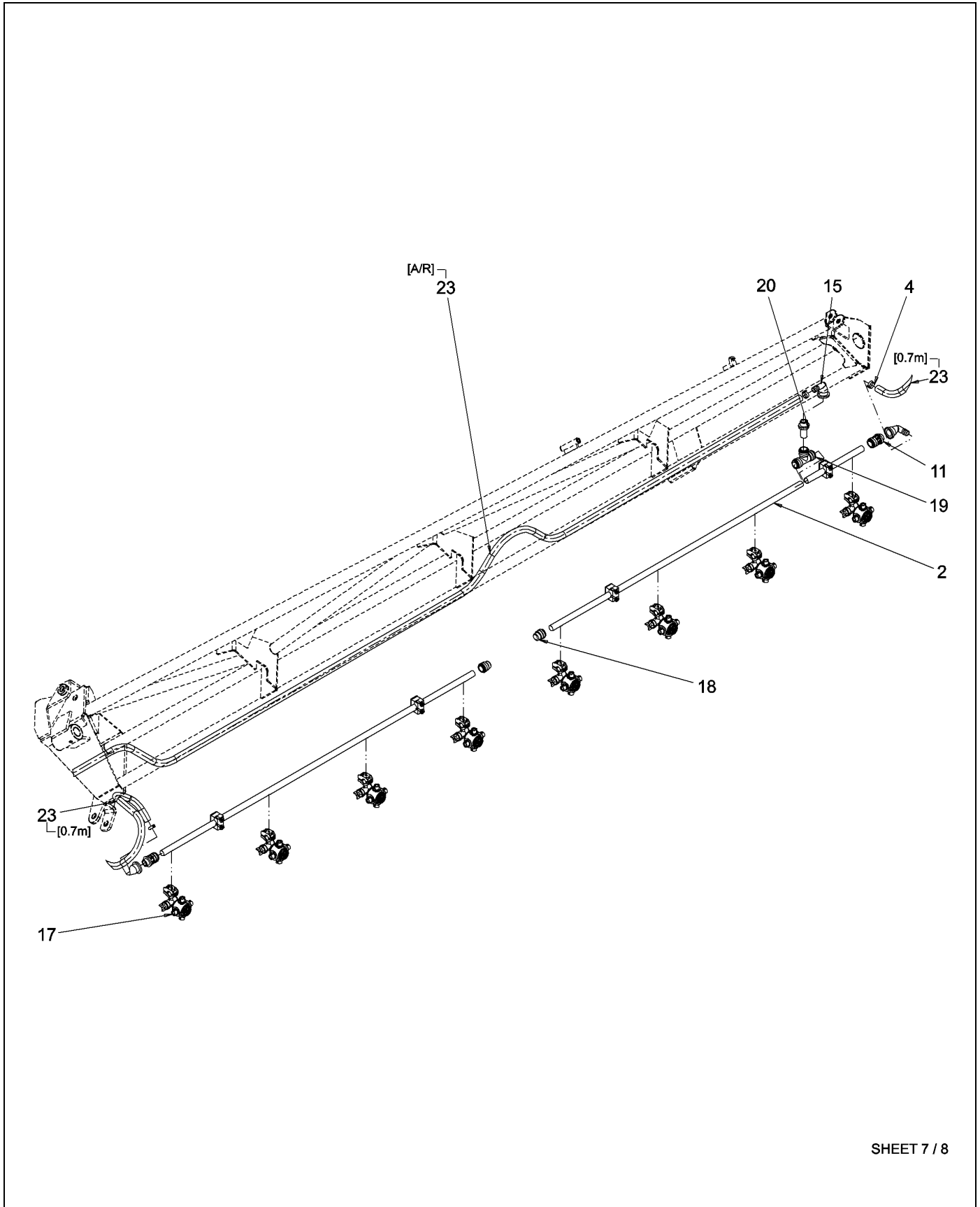


SHEET 6 / 8

612848-C-06.TIF

# PLUMBING INSTL-12/24M,6SECT

ITEM	PART #	QTY	DESCRIPTION	COMMENTS
2	AG614998	8	TUBE-22ODX1600MM,SS (4HOLES)	
3	AG614999	2	TUBE-22ODX2100MM,SS (5HOLES)	
4	AG691071	30	CLAMP-HOSE,25-26.5MM,SS	
5	AG691255	4	HOSE BARB-CONN,22MMX1/2IN,AL	
7	E105163	12	NUT-M8,,,SS,ISO7040	
9	E105318	24	WASHER-M8,SS,ISO7089	
10	E130538	12	BOLT-M8X80,,,SS,ISO4014	
11	E200029	12	ADAPTER-STR,AUTOLO,22MMX3/MBSP	
12	E200030	12	HOSE BARB-20MM BARB,PP(E200031	
13	E200031	12	NUT-3/4FBSP,PP (E200030)	
14	E200032	12	RING-SEAL (E200030)	
15	E200033	14	HOSE BARB-90DEG,3/4FBSPX20MM	
16	E200034	6	FILTER ASM-PRESS,3/4MBSP,50BLU	
17	E200035	48	BODY-NOZZLE,QUATRO,1/2IN,TEEJE	
18	E200036	12	CAP-AUTOLOCK,22MM	
19	E200037	6	TEE-AUTOLOCK,22MM	
23	E502212	-	HOSE-CHEMICAL,16MM ID,20BAR [BULK: 0.00 METER]	

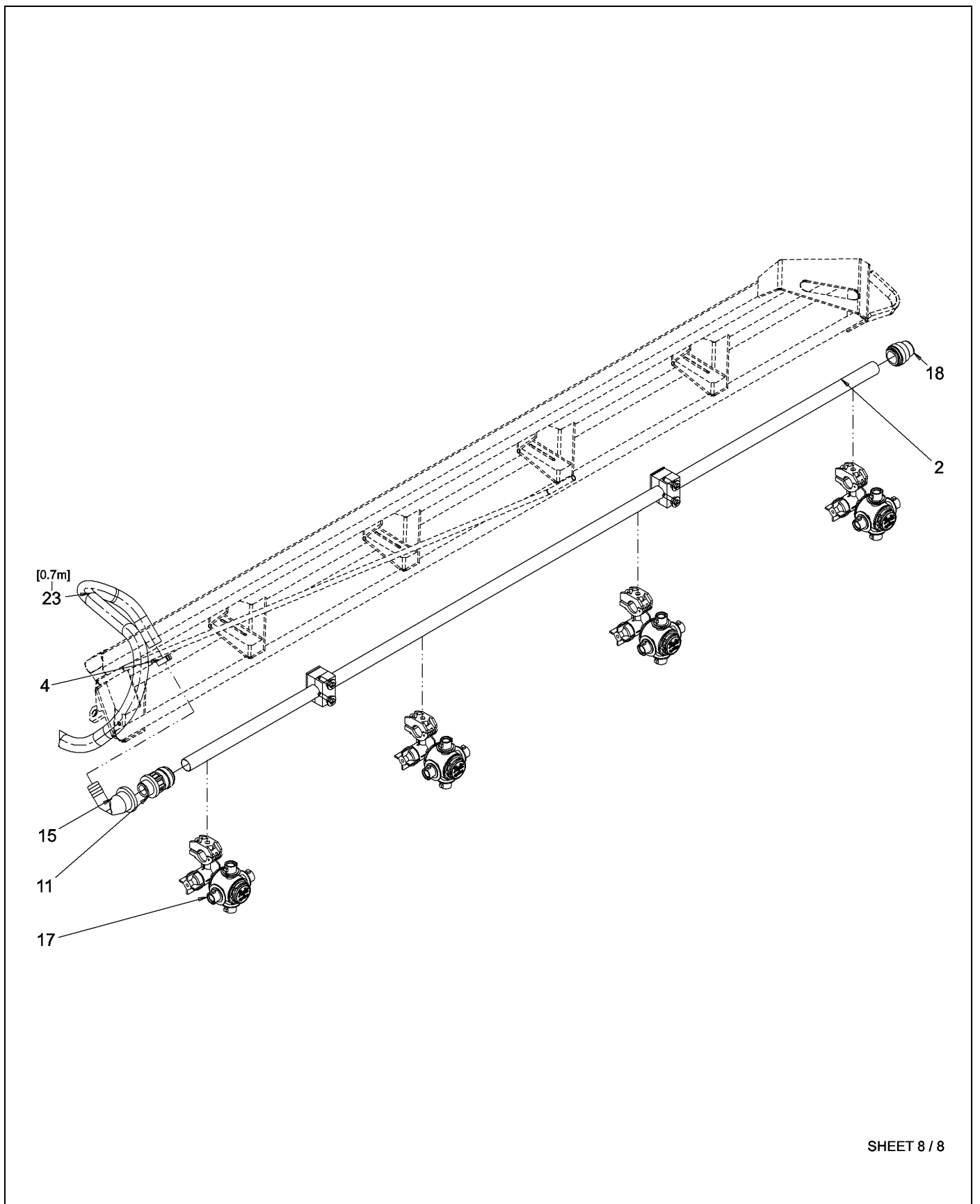


SHEET 7 / 8

612848-C-07.TIF

# PLUMBING INSTL-12/24M,6SECT

ITEM	PART #	QTY	DESCRIPTION	COMMENTS
2	AG614998	8	TUBE-22ODX1600MM,SS (4HOLES)	
4	AG691071	30	CLAMP-HOSE,25-26.5MM,SS	
11	E200029	12	ADAPTER-STR,AUTOLO,22MMX3/MBSP	
15	E200033	14	HOSE BARB-90DEG,3/4FBSPX20MM	
17	E200035	48	BODY-NOZZLE,QUATRO,1/2IN,TEEJE	
18	E200036	12	CAP-AUTOLOCK,22MM	
19	E200037	6	TEE-AUTOLOCK,22MM	
20	E200038	2	HOSE BARB-3/4MBSPX22MM BARB	
23	E502212	-	HOSE-CHEMICAL,16MM ID,20BAR [BULK: 0.00 METER]	

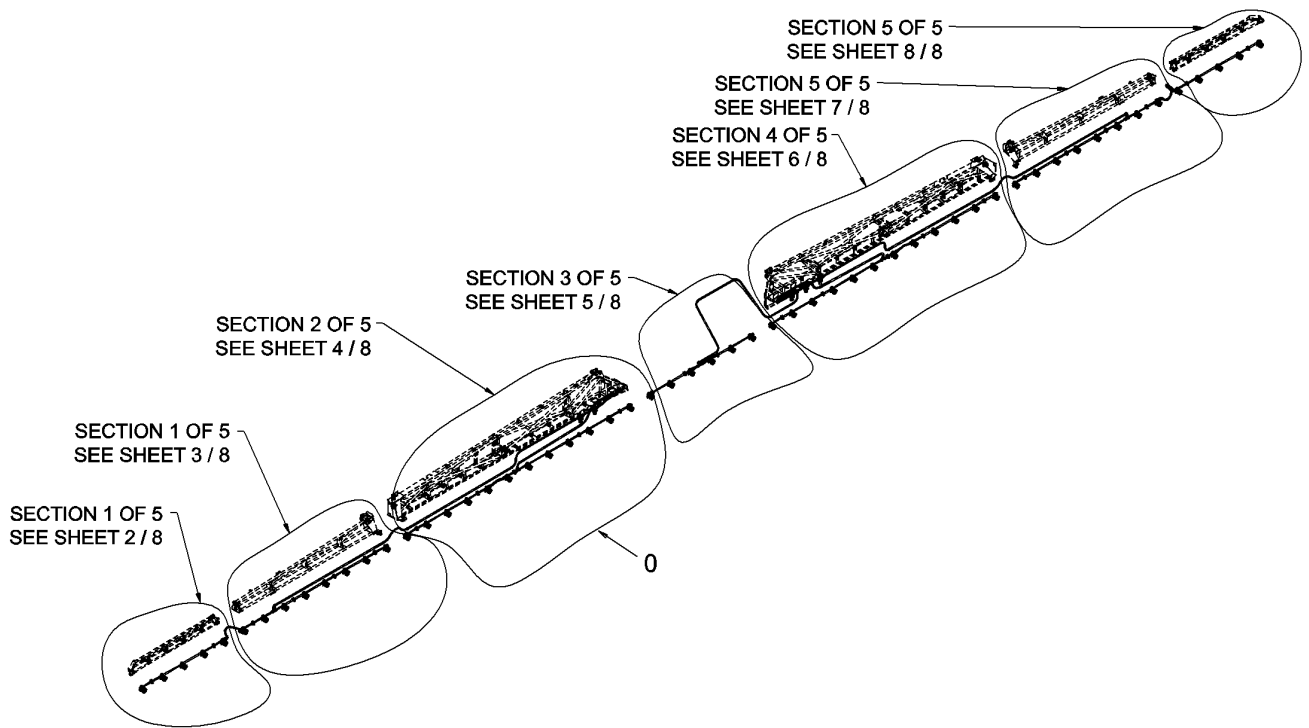


SHEET 8 / 8

612848-C-08.TIF

# PLUMBING INSTL-12/24M,6SECT

ITEM	PART #	QTY	DESCRIPTION	COMMENTS
2	AG614998	8	TUBE-22ODX1600MM,SS (4HOLES)	
4	AG691071	30	CLAMP-HOSE,25-26.5MM,SS	
11	E200029	12	ADAPTER-STR,AUTOLO,22MMX3/MBSP	
15	E200033	14	HOSE BARB-90DEG,3/4FBSPX20MM	
17	E200035	48	BODY-NOZZLE,QUATRO,1/2IN,TEEJE	
18	E200036	12	CAP-AUTOLOCK,22MM	
23	E502212	-	HOSE-CHEMICAL,16MM ID,20BAR [BULK: 0.00 METER]	



SHEET 1 / 8

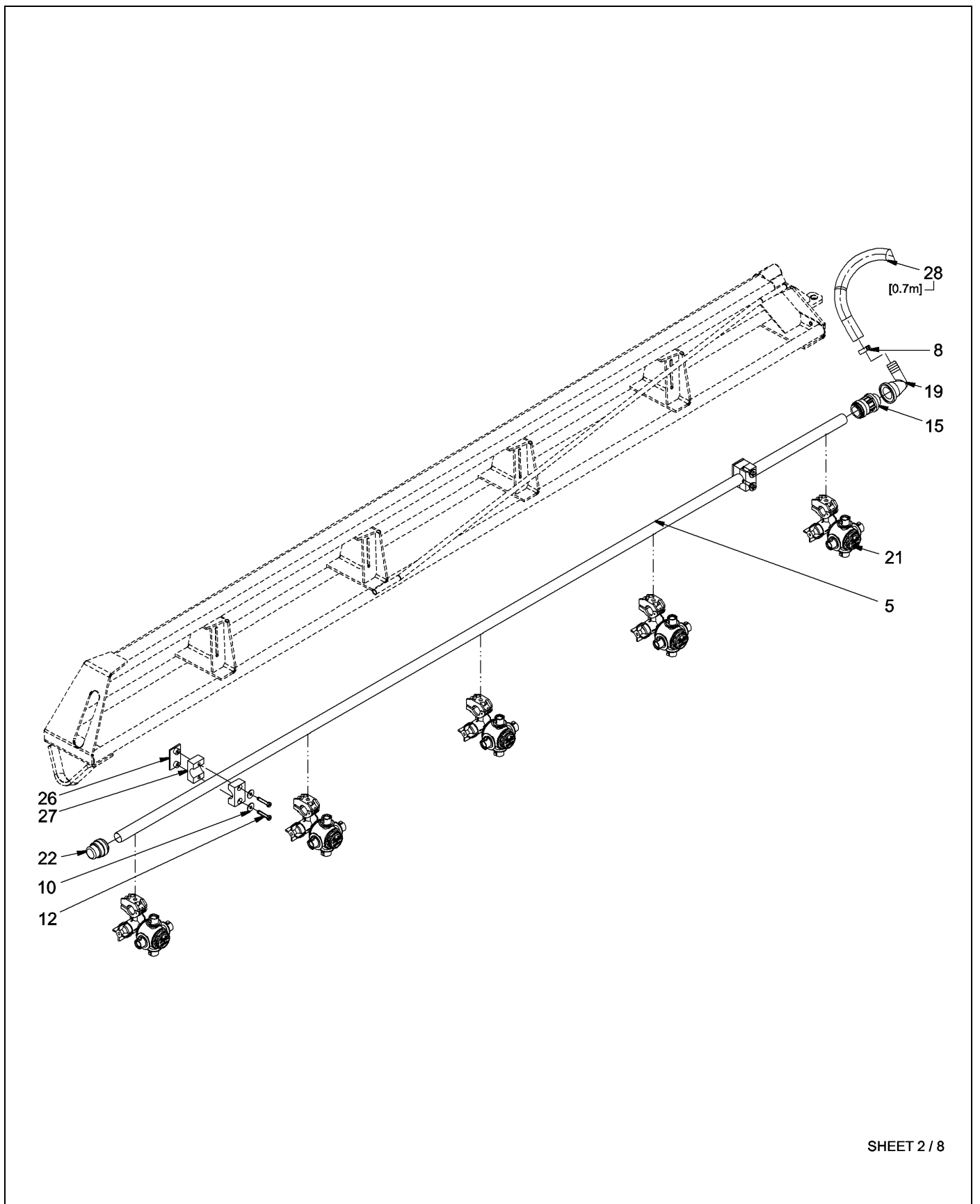
615007-C-01.TIF



# PLUMBING INSTL-15/28M,5SECT

---

ITEM	PART #	QTY	DESCRIPTION	COMMENTS
REF	XXXXXX	0	DETAIL DRAWING	

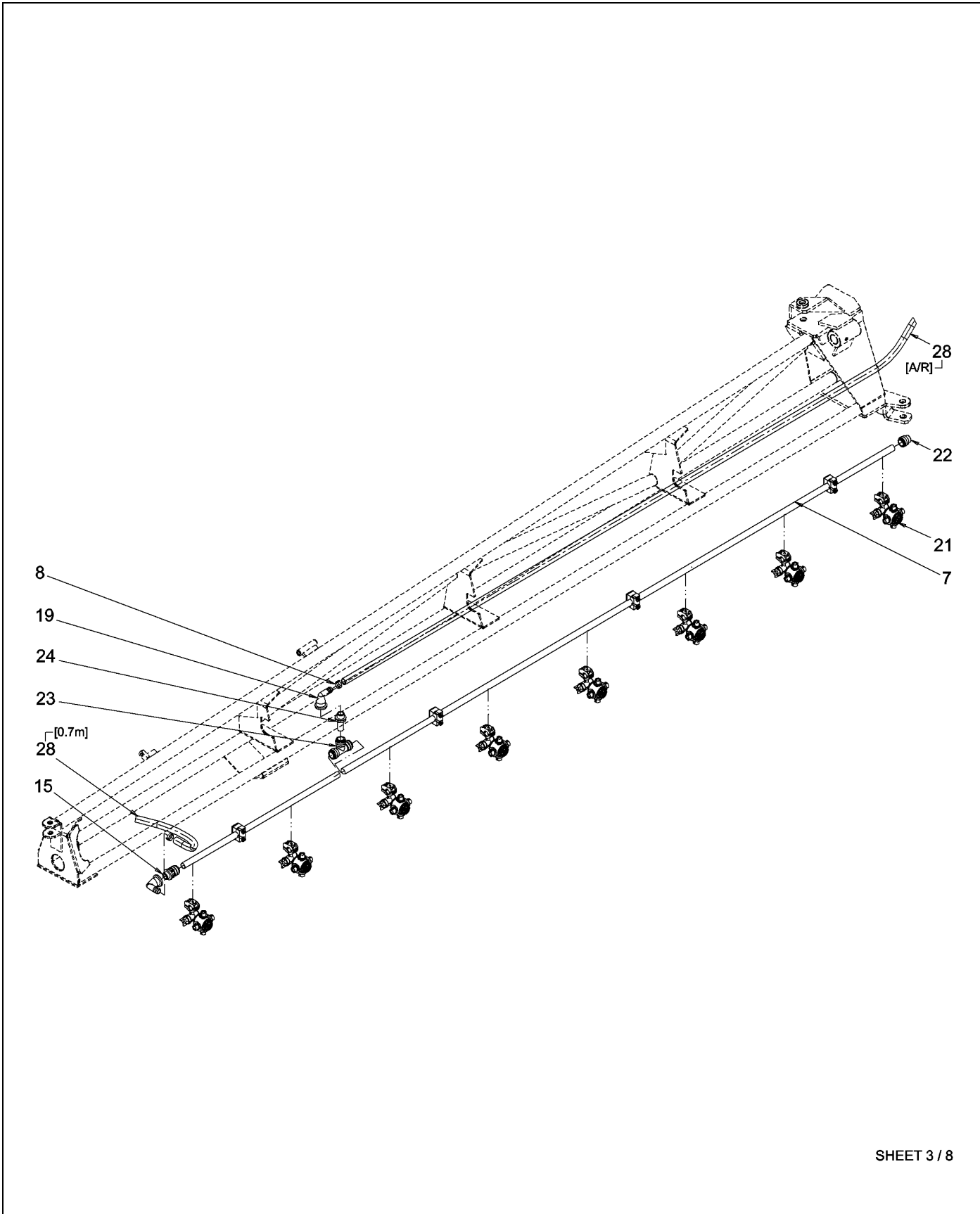


SHEET 2 / 8

615007-C-02.TIF

# PLUMBING INSTL-15/28M,5SECT

ITEM	PART #	QTY	DESCRIPTION	COMMENTS
5	AG614999	4	TUBE-22ODX2100MM,SS (5HOLES)	
8	AG691071	27	CLAMP-HOSE,25-26.5MM,SS	
10	E100024	52	WASHER-M6,,ISO7093	
12	E105220	52	BOLT-M6X30,,SS,ISO1207	
15	E200029	6	ADAPTER-STR,AUTOLO,22MMX3/MBSP	
19	E200033	6	HOSE BARB-90DEG,3/4FBSPX20MM	
21	E200035	56	BODY-NOZZLE,QUATRO,1/2IN,TEEJE	
22	E200036	10	CAP-AUTOLOCK,22MM	
26	E220034	26	PLATE-WELD,CLAMP SGL 20/22/25	
27	E220044	52	CLAMP-SINGLE,22,PP (2 PIECES)	
28	E502212	-	HOSE-CHEMICAL,16MM ID,20BAR [BULK: 0.00 METER]	

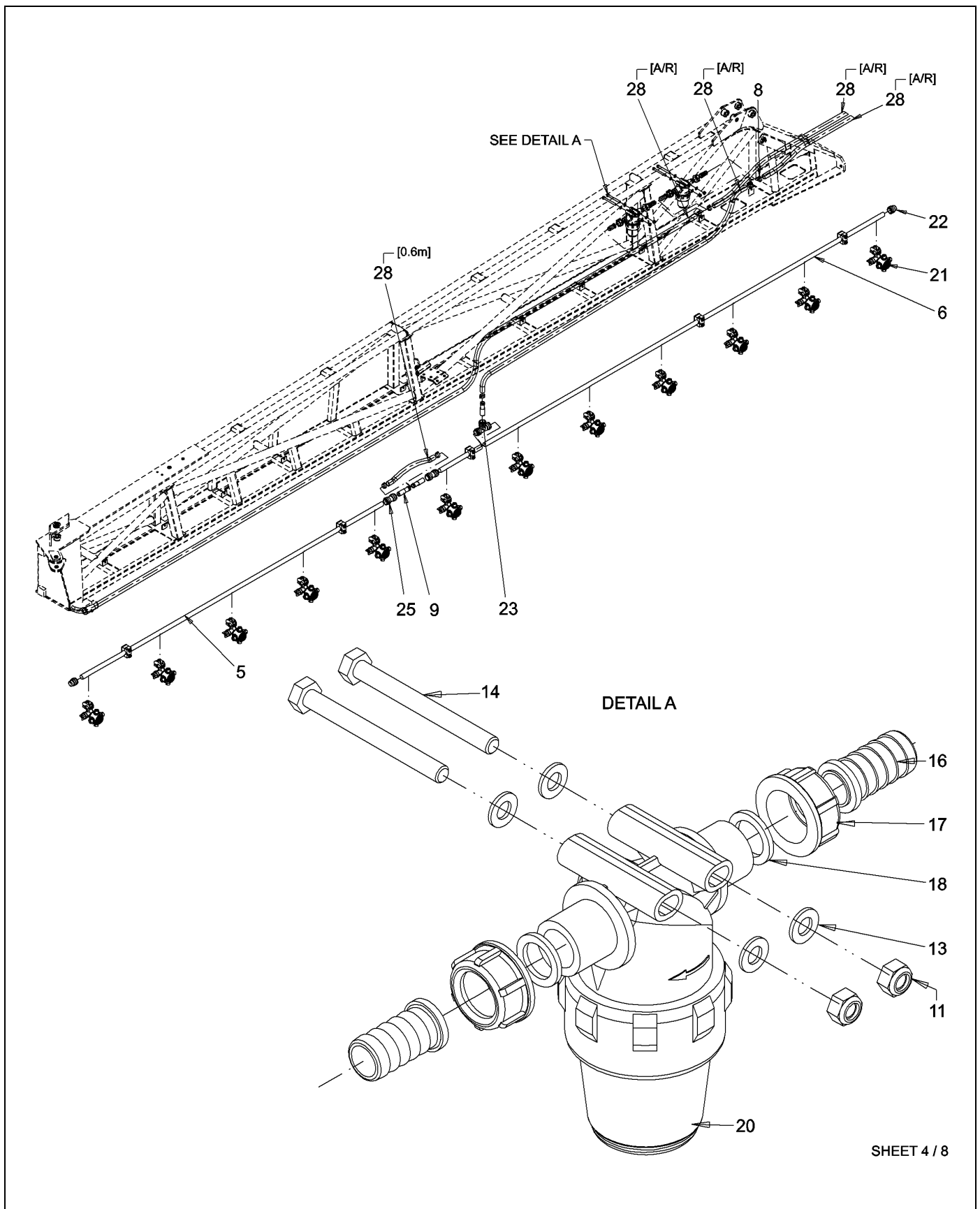


SHEET 3 / 8

615007-C-03.TIF

# PLUMBING INSTL-15/28M,5SECT

ITEM	PART #	QTY	DESCRIPTION	COMMENTS
7	AG615002	2	TUBE-22ODX3600MM,SS (8HOLES)	
8	AG691071	27	CLAMP-HOSE,25-26.5MM,SS	
15	E200029	6	ADAPTER-STR,AUTOLO,22MMX3/MBSP	
19	E200033	6	HOSE BARB-90DEG,3/4FBSPX20MM	
21	E200035	56	BODY-NOZZLE,QUATRO,1/2IN,TEEJE	
22	E200036	10	CAP-AUTOLOCK,22MM	
23	E200037	4	TEE-AUTOLOCK,22MM	
24	E200038	2	HOSE BARB-3/4MBSPX22MM BARB	
28	E502212	-	HOSE-CHEMICAL,16MM ID,20BAR [BULK: 0.00 METER]	

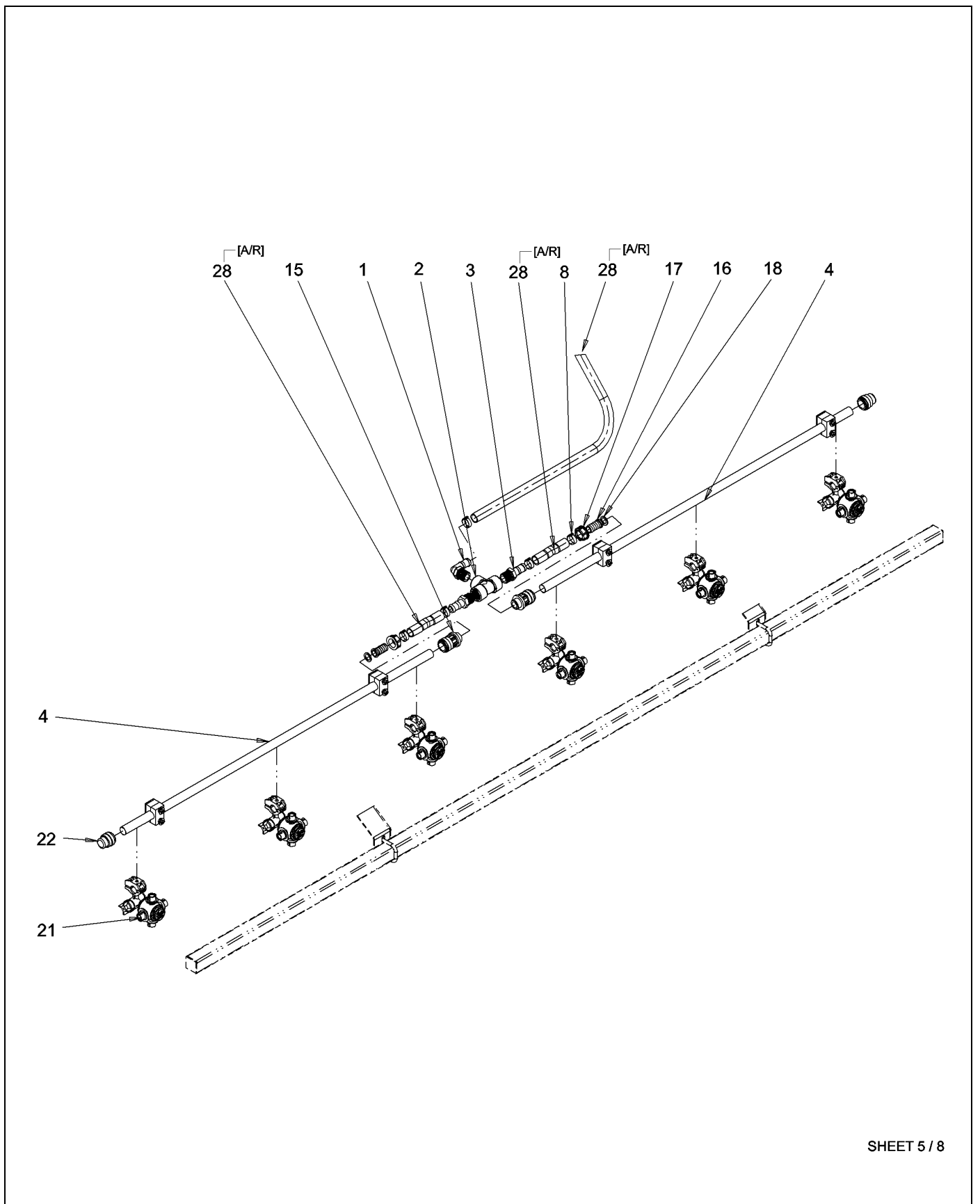


SHEET 4 / 8

615007-C-04.TIF

# PLUMBING INSTL-15/28M,5SECT

ITEM	PART #	QTY	DESCRIPTION	COMMENTS
5	AG614999	4	TUBE-22ODX2100MM,SS (5HOLES)	
6	AG615001	2	TUBE-22ODX3100MM,SS (7HOLES)	
8	AG691071	27	CLAMP-HOSE,25-26.5MM,SS	
9	AG691255	6	HOSE BARB-CONN,22MMX1/2IN,AL	
11	E105163	10	NUT-M8,,,SS,ISO7040	
13	E105318	20	WASHER-M8,SS,ISO7089	
14	E130538	10	BOLT-M8X80,,,SS,ISO4014	
16	E200030	12	HOSE BARB-20MM BARB,PP(E200031	
17	E200031	12	NUT-3/4FBSP,PP (E200030)	
18	E200032	12	RING-SEAL (E200030)	
20	E200034	5	FILTER ASM-PRESS,3/4MBSP,50BLU	
21	E200035	56	BODY-NOZZLE,QUATRO,1/2IN,TEEJE	
22	E200036	10	CAP-AUTOLOCK,22MM	
23	E200037	4	TEE-AUTOLOCK,22MM	
25	E200042	4	CONNECTOR-AUTOLOCK,22MM	
28	E502212	-	HOSE-CHEMICAL,16MM ID,20BAR [BULK: 0.00 METER]	



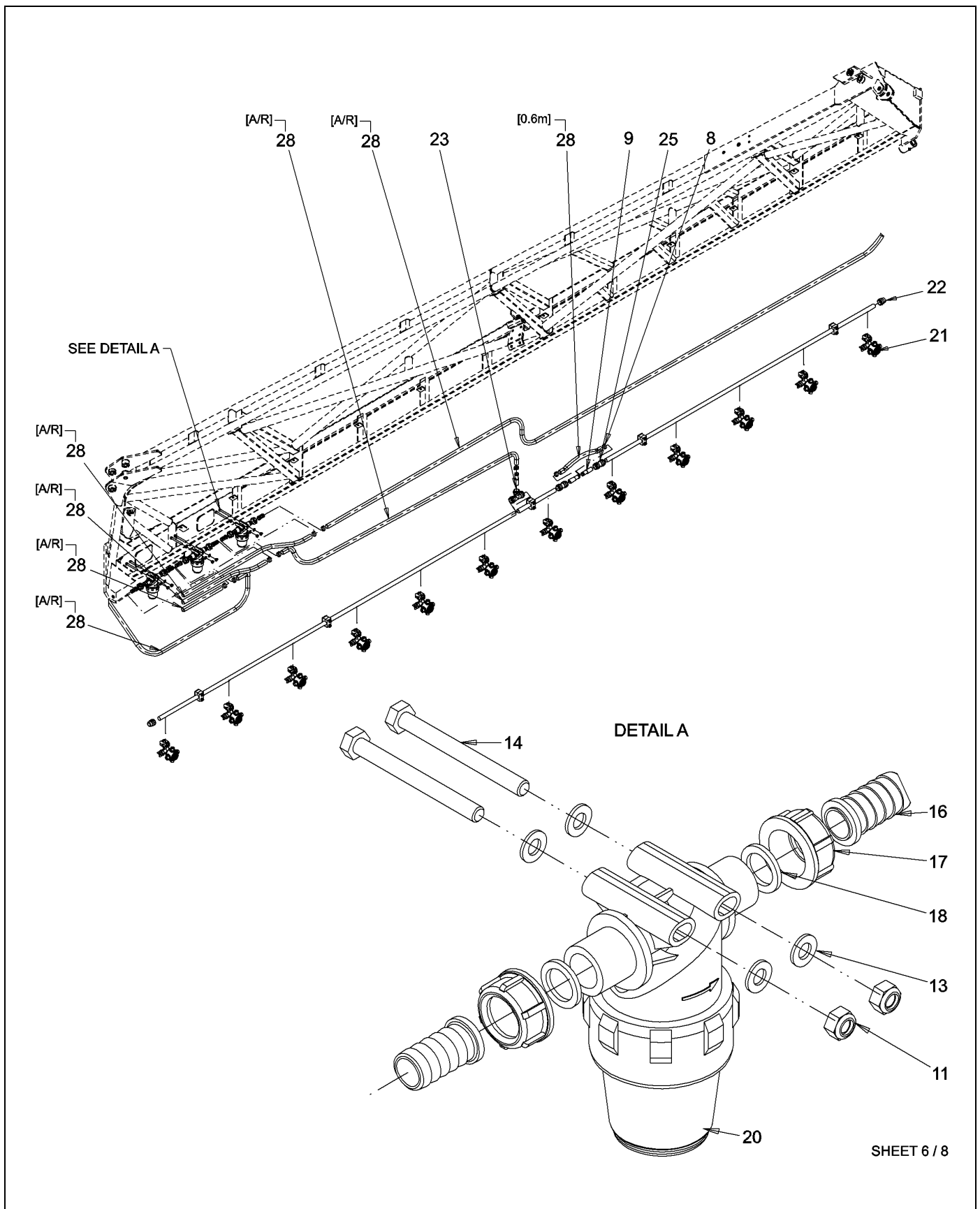
SHEET 5 / 8

615007-C-05.TIF



# PLUMBING INSTL-15/28M,5SECT

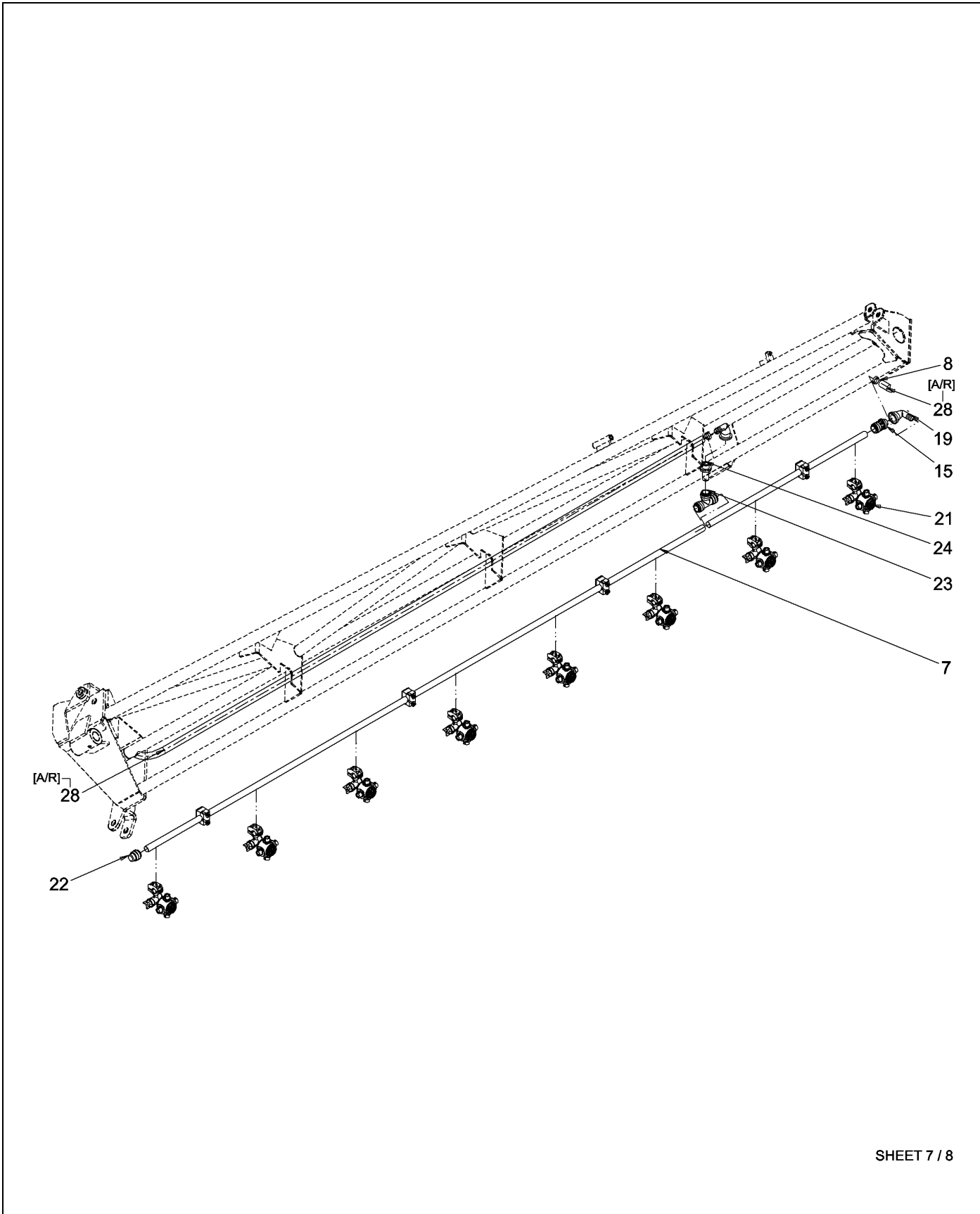
ITEM	PART #	QTY	DESCRIPTION	COMMENTS
1	AG051142	1	HOSE BARB-90DEG,.75MNPTX.75,PP	
2	AG051161	1	TEE-PIPE,.75FNPT,PP	
3	AG051179	2	HOSE BARB-.75MNPTX.75BARB,PP	
4	AG614997	2	TUBE-22ODX1100MM,SS (3HOLES)	
8	AG691071	27	CLAMP-HOSE,25-26.5MM,SS	
15	E200029	6	ADAPTER-STR,AUTOLO,22MMX3/MBSP	
16	E200030	12	HOSE BARB-20MM BARB,PP(E200031	
17	E200031	12	NUT-3/4FBSP,PP (E200030)	
18	E200032	12	RING-SEAL (E200030)	
21	E200035	56	BODY-NOZZLE,QUATRO,1/2IN,TEEJE	
22	E200036	10	CAP-AUTOLOCK,22MM	
28	E502212	-	HOSE-CHEMICAL,16MM ID,20BAR [BULK: 0.00 METER]	



615007-C-06.TIF

# PLUMBING INSTL-15/28M,5SECT

ITEM	PART #	QTY	DESCRIPTION	COMMENTS
8	AG691071	27	CLAMP-HOSE,25-26.5MM,SS	
9	AG691255	6	HOSE BARB-CONN,22MMX1/2IN,AL	
11	E105163	10	NUT-M8,,,SS,ISO7040	
13	E105318	20	WASHER-M8,SS,ISO7089	
14	E130538	10	BOLT-M8X80,,,SS,ISO4014	
16	E200030	12	HOSE BARB-20MM BARB,PP(E200031	
17	E200031	12	NUT-3/4FBSP,PP (E200030)	
18	E200032	12	RING-SEAL (E200030)	
20	E200034	5	FILTER ASM-PRESS,3/4MBSP,50BLU	
21	E200035	56	BODY-NOZZLE,QUATRO,1/2IN,TEEJE	
22	E200036	10	CAP-AUTOLOCK,22MM	
23	E200037	4	TEE-AUTOLOCK,22MM	
25	E200042	4	CONNECTOR-AUTOLOCK,22MM	
28	E502212	-	HOSE-CHEMICAL,16MM ID,20BAR [BULK: 0.00 METER]	

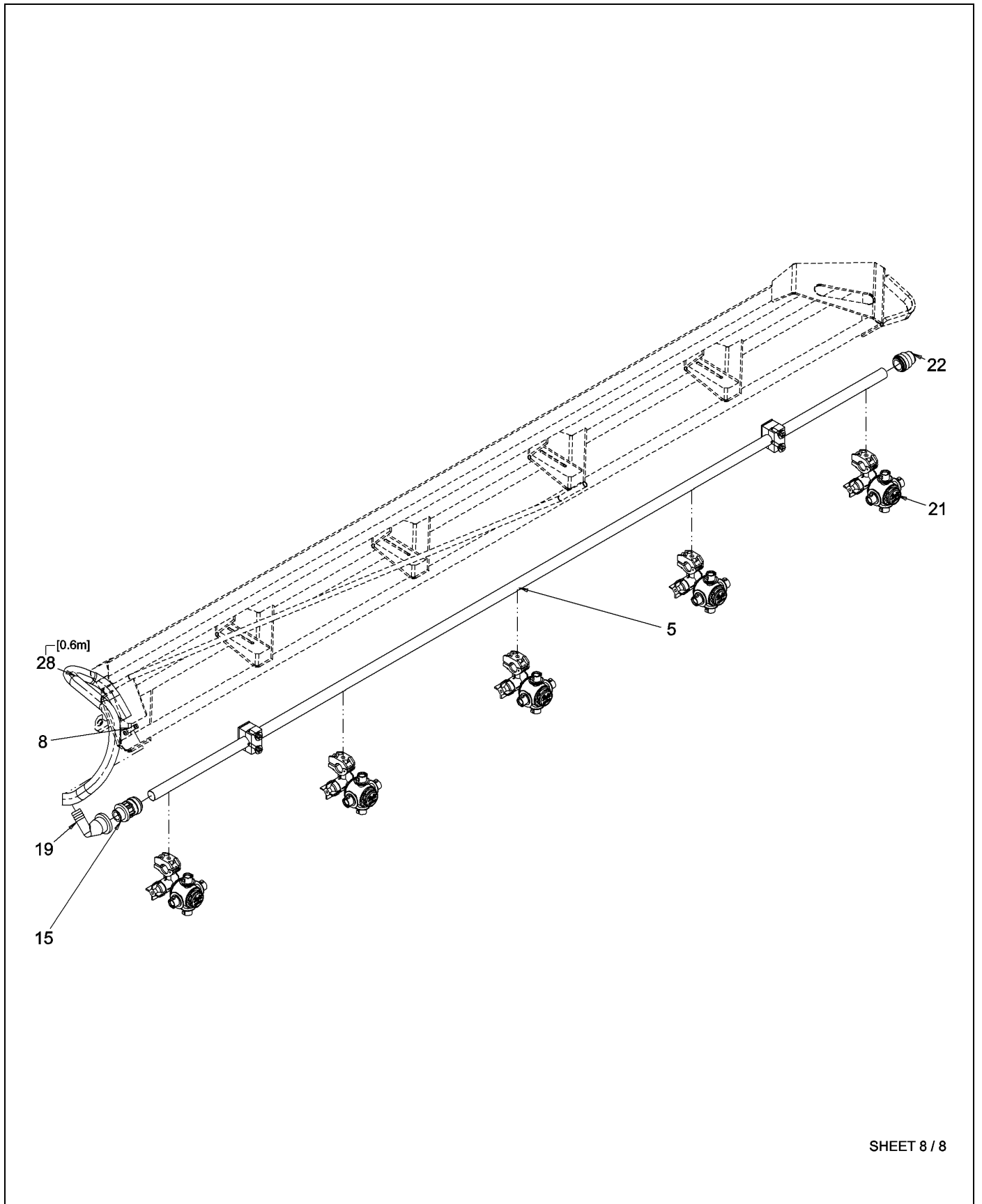


SHEET 7 / 8

615007-C-07.TIF

# PLUMBING INSTL-15/28M,5SECT

ITEM	PART #	QTY	DESCRIPTION	COMMENTS
7	AG615002	2	TUBE-22ODX3600MM,SS (8HOLES)	
8	AG691071	27	CLAMP-HOSE,25-26.5MM,SS	
15	E200029	6	ADAPTER-STR,AUTOLO,22MMX3/MBSP	
19	E200033	6	HOSE BARB-90DEG,3/4FBSPX20MM	
21	E200035	56	BODY-NOZZLE,QUATRO,1/2IN,TEEJE	
22	E200036	10	CAP-AUTOLOCK,22MM	
23	E200037	4	TEE-AUTOLOCK,22MM	
24	E200038	2	HOSE BARB-3/4MBSPX22MM BARB	
28	E502212	-	HOSE-CHEMICAL,16MM ID,20BAR [BULK: 0.00 METER]	

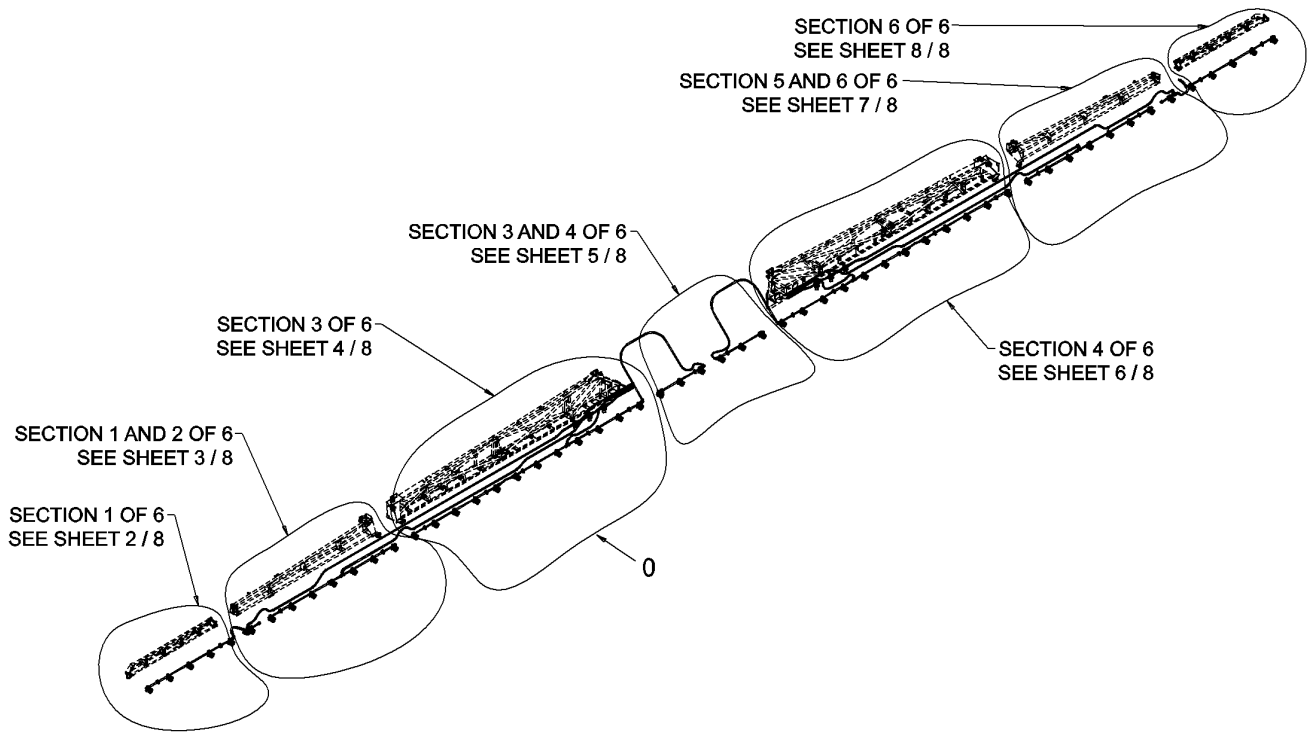


SHEET 8 / 8

615007-C-08.TIF

# PLUMBING INSTL-15/28M,5SECT

ITEM	PART #	QTY	DESCRIPTION	COMMENTS
5	AG614999	4	TUBE-22ODX2100MM,SS (5HOLES)	
8	AG691071	27	CLAMP-HOSE,25-26.5MM,SS	
15	E200029	6	ADAPTER-STR,AUTOLO,22MMX3/MBSP	
19	E200033	6	HOSE BARB-90DEG,3/4FBSPX20MM	
21	E200035	56	BODY-NOZZLE,QUATRO,1/2IN,TEEJE	
22	E200036	10	CAP-AUTOLOCK,22MM	
28	E502212	-	HOSE-CHEMICAL,16MM ID,20BAR [BULK: 0.00 METER]	



SHEET 1 / 8

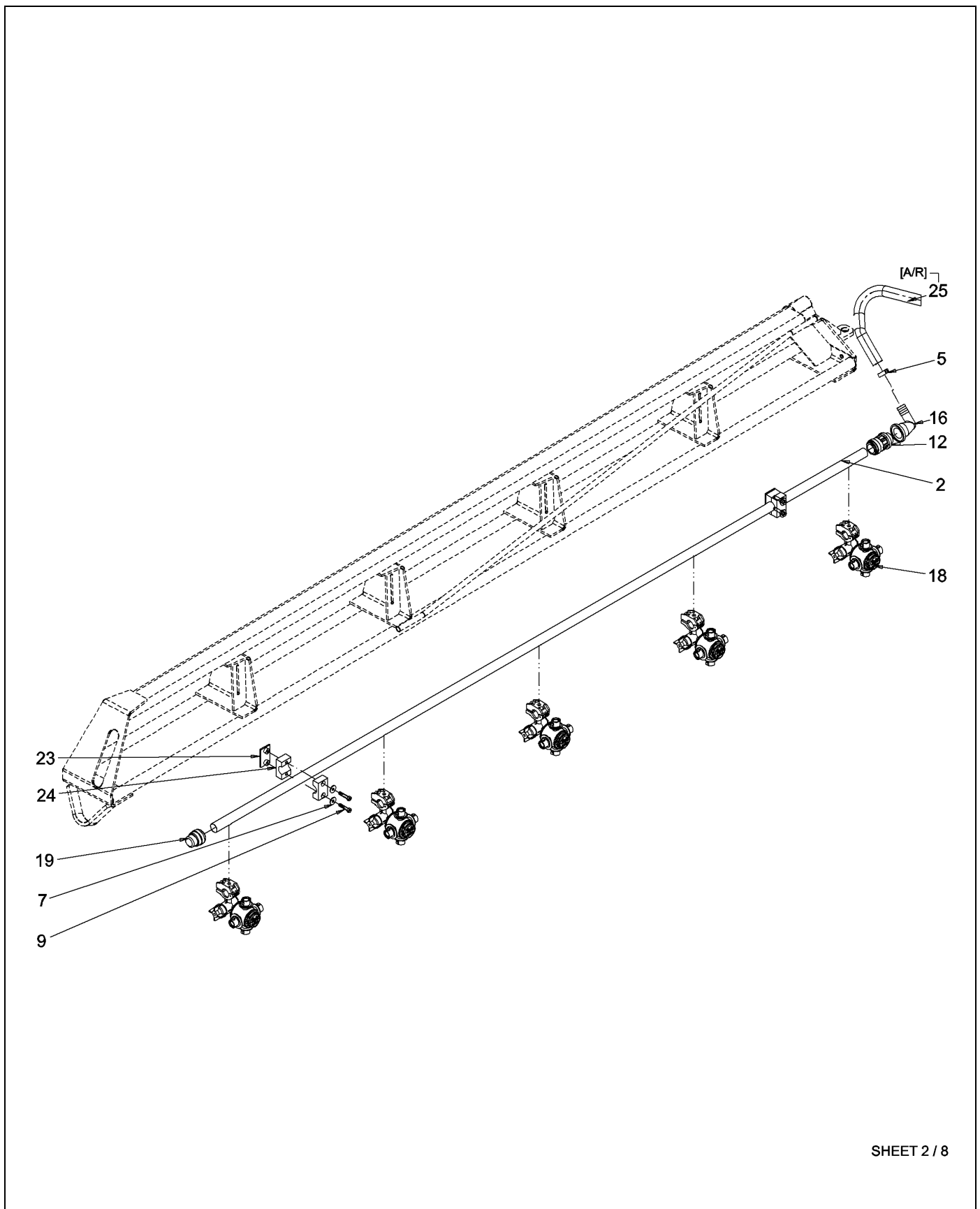
615008-C-01.TIF



# PLUMBING INSTL-15/28M,6SECT

---

ITEM	PART #	QTY	DESCRIPTION	COMMENTS
REF	XXXXXX	0	DETAIL DRAWING	

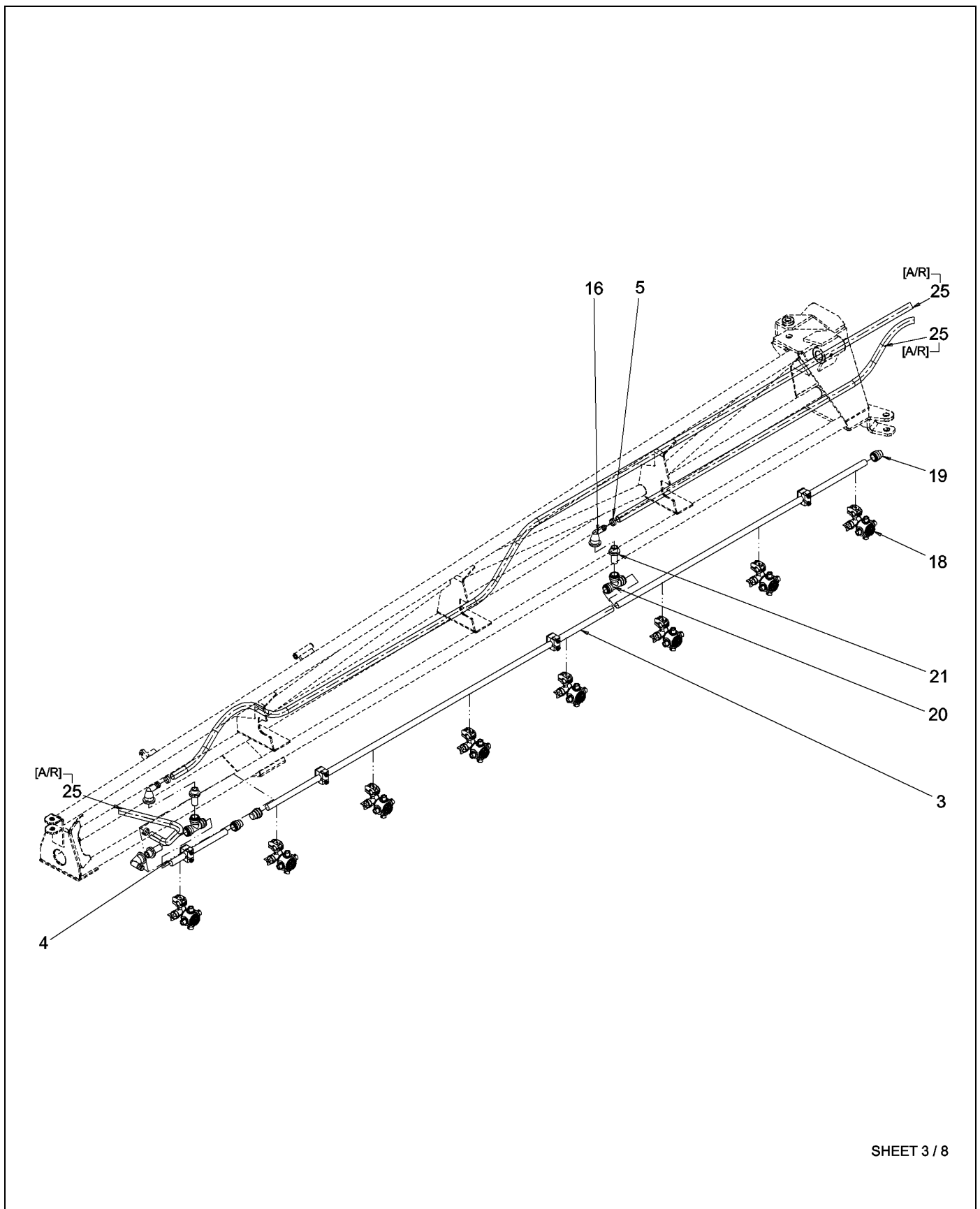


SHEET 2 / 8

615008-C-02.TIF

# PLUMBING INSTL-15/28M,6SECT

ITEM	PART #	QTY	DESCRIPTION	COMMENTS
2	AG614999	4	TUBE-22ODX2100MM,SS (5HOLES)	
5	AG691071	30	CLAMP-HOSE,25-26.5MM,SS	
7	E100024	52	WASHER-M6,,ISO7093	
9	E105220	52	BOLT-M6X30,,SS,ISO1207	
12	E200029	6	ADAPTER-STR,AUTOLO,22MMX3/MBSP	
16	E200033	12	HOSE BARB-90DEG,3/4FBSPX20MM	
18	E200035	56	BODY-NOZZLE,QUATRO,1/2IN,TEEJE	
19	E200036	12	CAP-AUTOLOCK,22MM	
23	E220034	26	PLATE-WELD,CLAMP SGL 20/22/25	
24	E220044	52	CLAMP-SINGLE,22,PP (2 PIECES)	
25	E502212	-	HOSE-CHEMICAL,16MM ID,20BAR [BULK: 0.00 METER]	

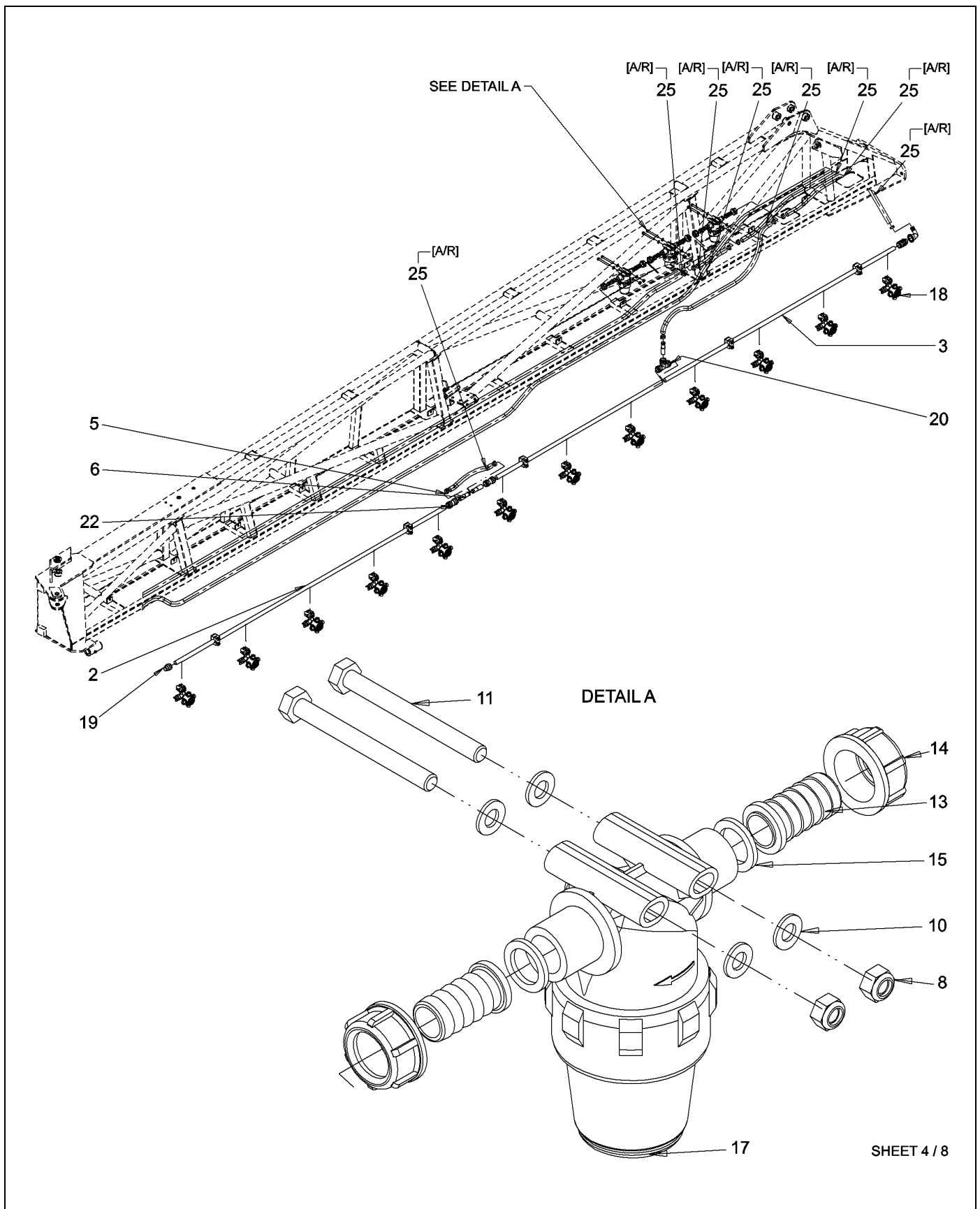


SHEET 3 / 8

615008-C-03.TIF

# PLUMBING INSTL-15/28M,6SECT

ITEM	PART #	QTY	DESCRIPTION	COMMENTS
3	AG615001	4	TUBE-22ODX3100MM,SS (7HOLES)	
4	AG615003	2	TUBE-22ODX285MM,SS (1HOLE)	
5	AG691071	30	CLAMP-HOSE,25-26.5MM,SS	
16	E200033	12	HOSE BARB-90DEG,3/4FBSPX20MM	
18	E200035	56	BODY-NOZZLE,QUATRO,1/2IN,TEEJE	
19	E200036	12	CAP-AUTOLOCK,22MM	
20	E200037	6	TEE-AUTOLOCK,22MM	
21	E200038	6	HOSE BARB-3/4MBSPX22MM BARB	
25	E502212	-	HOSE-CHEMICAL,16MM ID,20BAR [BULK: 0.00 METER]	

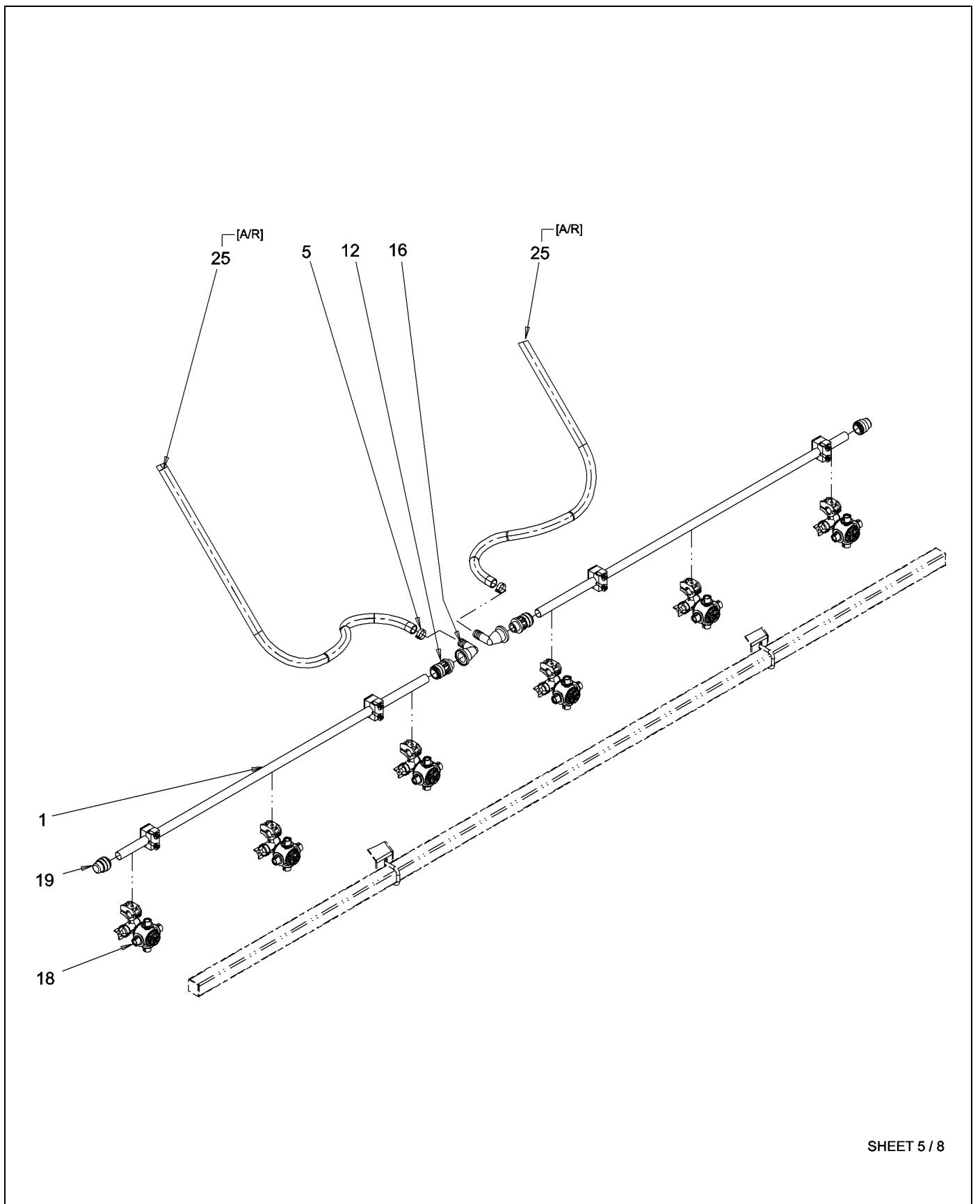


SHEET 4 / 8

615008-C-04.TIF

# PLUMBING INSTL-15/28M,6SECT

ITEM	PART #	QTY	DESCRIPTION	COMMENTS
2	AG614999	4	TUBE-22ODX2100MM,SS (5HOLES)	
3	AG615001	4	TUBE-22ODX3100MM,SS (7HOLES)	
5	AG691071	30	CLAMP-HOSE,25-26.5MM,SS	
6	AG691255	6	HOSE BARB-CONN,22MMX1/2IN,AL	
8	E105163	12	NUT-M8,,,SS,ISO7040	
10	E105318	24	WASHER-M8,SS,ISO7089	
11	E130538	12	BOLT-M8X80,,,SS,ISO4014	
13	E200030	12	HOSE BARB-20MM BARB,PP(E200031	
14	E200031	12	NUT-3/4FBSP,PP (E200030)	
15	E200032	12	RING-SEAL (E200030)	
17	E200034	6	FILTER ASM-PRESS,3/4MBSP,50BLU	
18	E200035	56	BODY-NOZZLE,QUATRO,1/2IN,TEEJE	
19	E200036	12	CAP-AUTOLOCK,22MM	
20	E200037	6	TEE-AUTOLOCK,22MM	
22	E200042	4	CONNECTOR-AUTOLOCK,22MM	
25	E502212	-	HOSE-CHEMICAL,16MM ID,20BAR [BULK: 0.00 METER]	



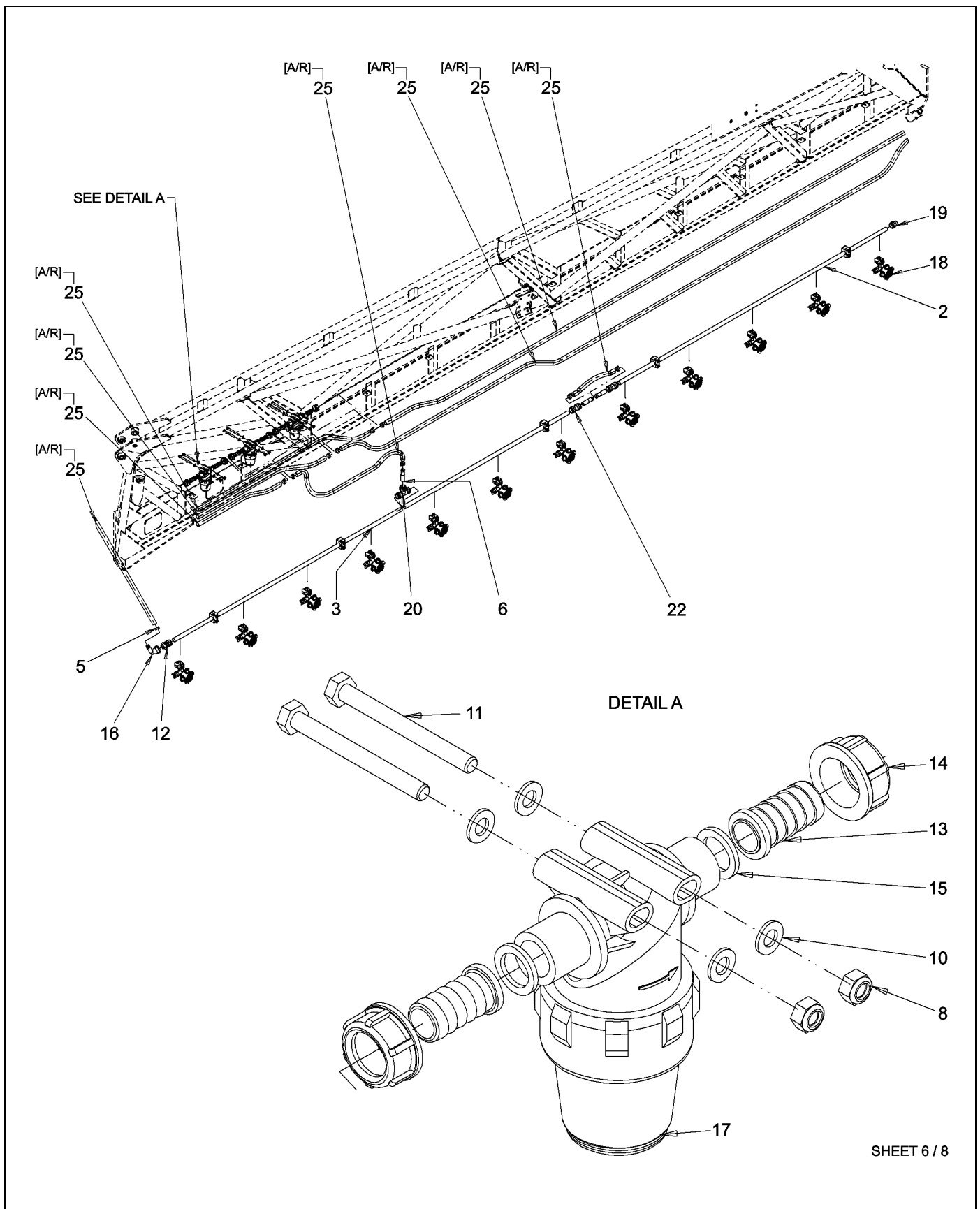
SHEET 5 / 8

615008-C-05.TIF



# PLUMBING INSTL-15/28M,6SECT

ITEM	PART #	QTY	DESCRIPTION	COMMENTS
1	AG614997	2	TUBE-22ODX1100MM,SS (3HOLES)	
5	AG691071	30	CLAMP-HOSE,25-26.5MM,SS	
12	E200029	6	ADAPTER-STR,AUTOLO,22MMX3/MBSP	
16	E200033	12	HOSE BARB-90DEG,3/4FBSPX20MM	
18	E200035	56	BODY-NOZZLE,QUATRO,1/2IN,TEEJE	
19	E200036	12	CAP-AUTOLOCK,22MM	
25	E502212	-	HOSE-CHEMICAL,16MM ID,20BAR [BULK: 0.00 METER]	

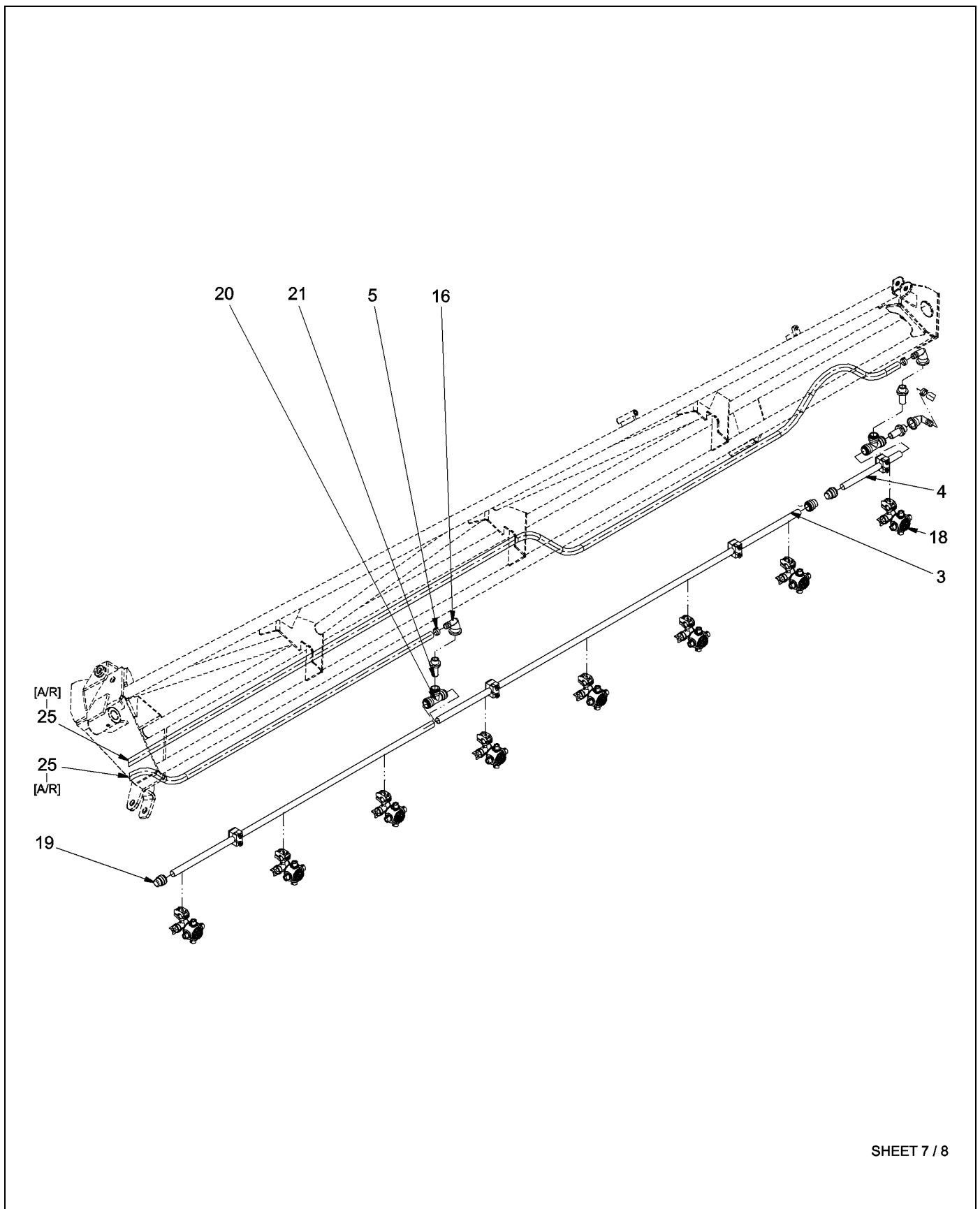


SHEET 6 / 8

615008-C-06.TIF

# PLUMBING INSTL-15/28M,6SECT

ITEM	PART #	QTY	DESCRIPTION	COMMENTS
2	AG614999	4	TUBE-22ODX2100MM,SS (5HOLES)	
3	AG615001	4	TUBE-22ODX3100MM,SS (7HOLES)	
5	AG691071	30	CLAMP-HOSE,25-26.5MM,SS	
6	AG691255	6	HOSE BARB-CONN,22MMX1/2IN,AL	
8	E105163	12	NUT-M8,,,SS,ISO7040	
10	E105318	24	WASHER-M8,SS,ISO7089	
11	E130538	12	BOLT-M8X80,,,SS,ISO4014	
12	E200029	6	ADAPTER-STR,AUTOLO,22MMX3/MBSP	
13	E200030	12	HOSE BARB-20MM BARB,PP(E200031	
14	E200031	12	NUT-3/4FBSP,PP (E200030)	
15	E200032	12	RING-SEAL (E200030)	
16	E200033	12	HOSE BARB-90DEG,3/4FBSPX20MM	
17	E200034	6	FILTER ASM-PRESS,3/4MBSP,50BLU	
18	E200035	56	BODY-NOZZLE,QUATRO,1/2IN,TEEJE	
19	E200036	12	CAP-AUTOLOCK,22MM	
20	E200037	6	TEE-AUTOLOCK,22MM	
22	E200042	4	CONNECTOR-AUTOLOCK,22MM	
25	E502212	-	HOSE-CHEMICAL,16MM ID,20BAR [BULK: 0.00 METER]	

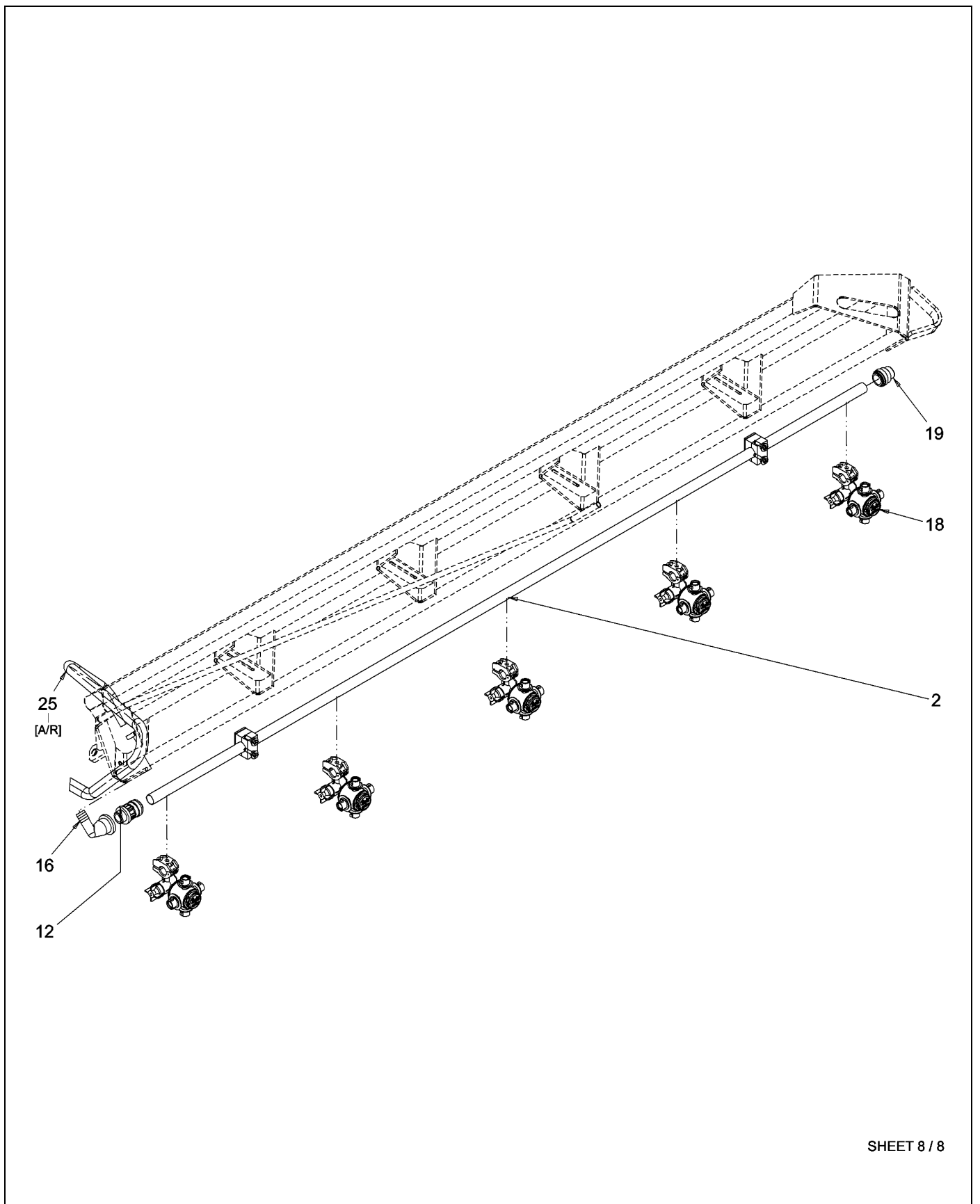


SHEET 7 / 8

615008-C-07.TIF

# PLUMBING INSTL-15/28M,6SECT

ITEM	PART #	QTY	DESCRIPTION	COMMENTS
3	AG615001	4	TUBE-22ODX3100MM,SS (7HOLES)	
4	AG615003	2	TUBE-22ODX285MM,SS (1HOLE)	
5	AG691071	30	CLAMP-HOSE,25-26.5MM,SS	
16	E200033	12	HOSE BARB-90DEG,3/4FBSPX20MM	
18	E200035	56	BODY-NOZZLE,QUATRO,1/2IN,TEEJE	
19	E200036	12	CAP-AUTOLOCK,22MM	
20	E200037	6	TEE-AUTOLOCK,22MM	
21	E200038	6	HOSE BARB-3/4MBSPX22MM BARB	
25	E502212	-	HOSE-CHEMICAL,16MM ID,20BAR [BULK: 0.00 METER]	



SHEET 8 / 8

615008-C-08.TIF

# PLUMBING INSTL-15/28M,6SECT

ITEM	PART #	QTY	DESCRIPTION	COMMENTS
2	AG614999	4	TUBE-22ODX2100MM,SS (5HOLES)	
12	E200029	6	ADAPTER-STR,AUTOLO,22MMX3/MBSP	
16	E200033	12	HOSE BARB-90DEG,3/4FBSPX20MM	
18	E200035	56	BODY-NOZZLE,QUATRO,1/2IN,TEEJE	
19	E200036	12	CAP-AUTOLOCK,22MM	
25	E502212	-	HOSE-CHEMICAL,16MM ID,20BAR [BULK: 0.00 METER]	

PLUMBING INSTL-SPRAY MANIFOLD

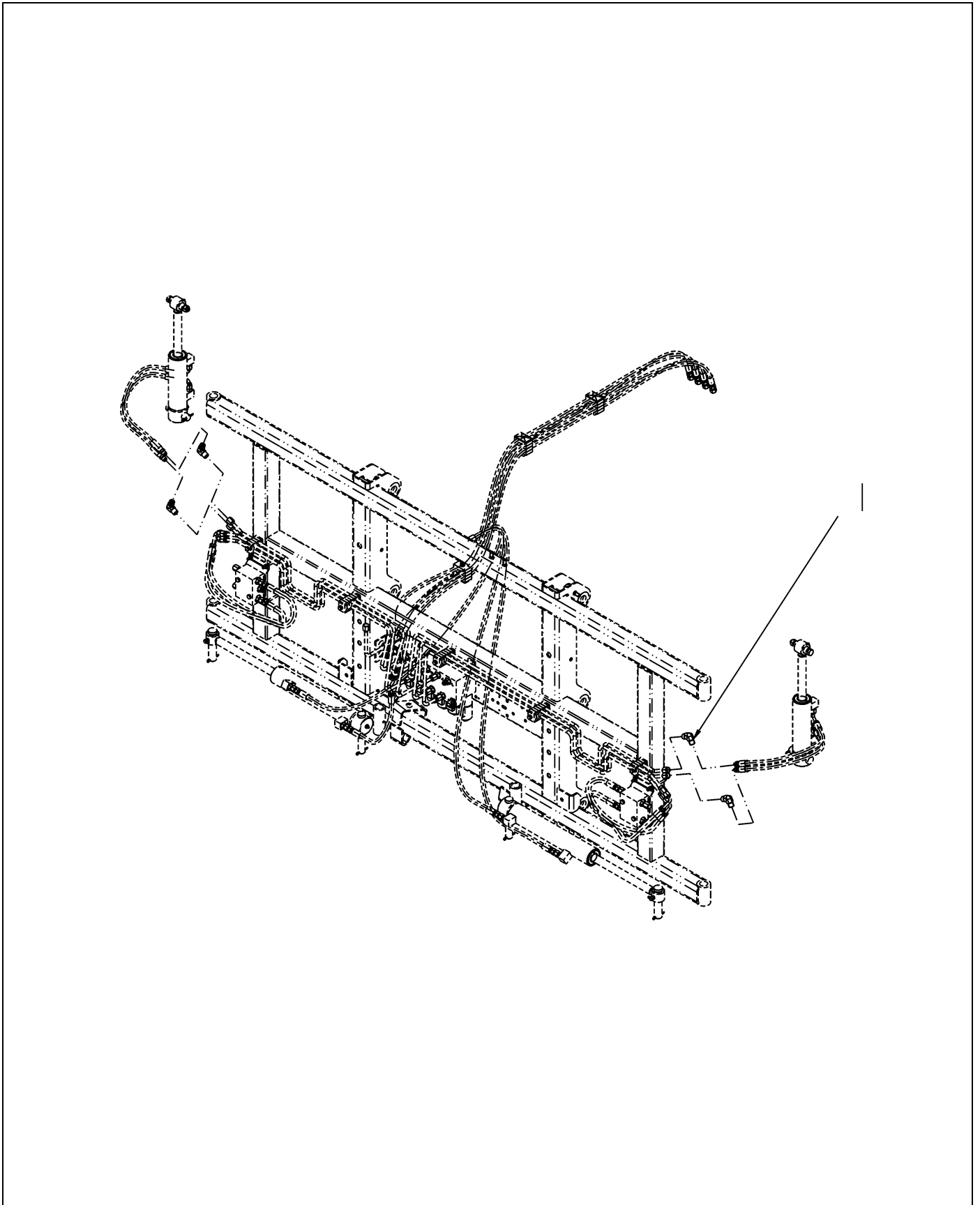
8-1







# PLUMBING INSTL-SPRAY MANIFOLD



611295-A-P271-1.TIF

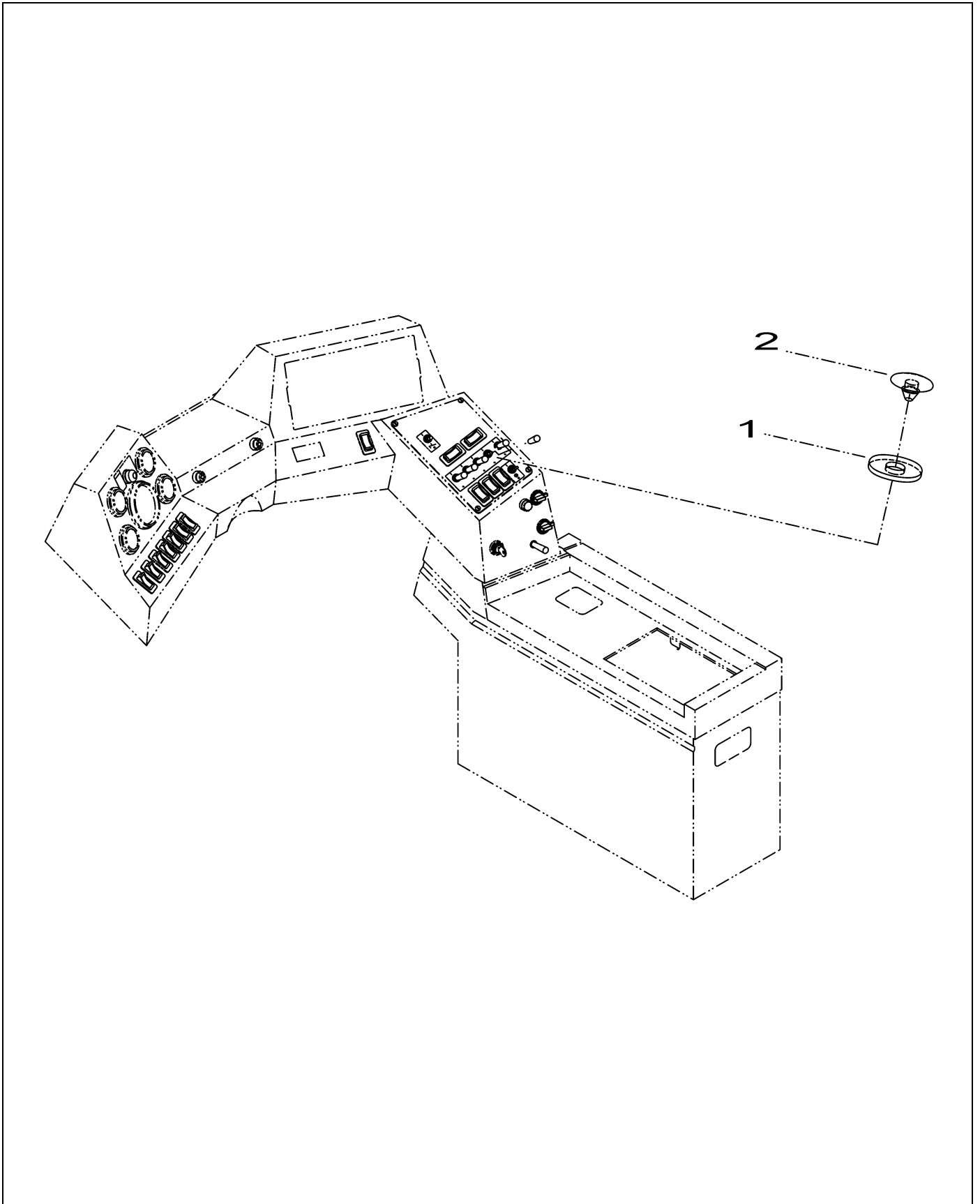
# PLUMBING INSTL-SPRAY MANIFOLD

ITEM	PART #	QTY	DESCRIPTION	COMMENTS
1	E240114	4	ELBOW-90DEG,HPV 3/8JIC	

ELEC COMPONENT INSTL-4SECT	9-1
ELEC COMPONENT INSTL-5SECT	9-2
ELEC COMPONENT INSTL-6SECT	9-3



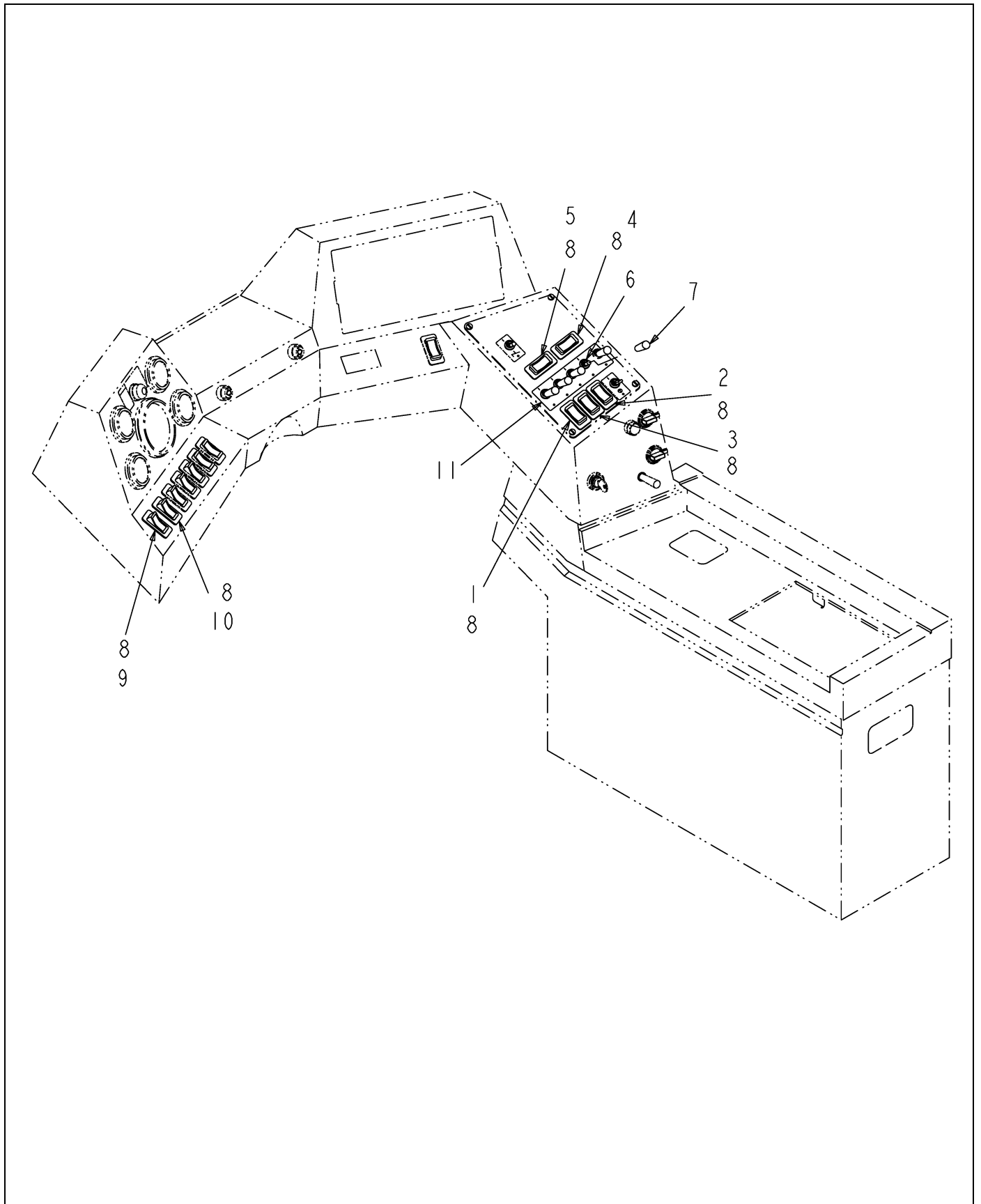




611435-A-P271-1.TIF

# ELEC COMPONENT INSTL-4SECT

ITEM	PART #	QTY	DESCRIPTION	COMMENTS
1	E100024	1	WASHER-M6,,ISO7093	
2	E400975	1	CAP-ANTENNA,12MM,BLACK	

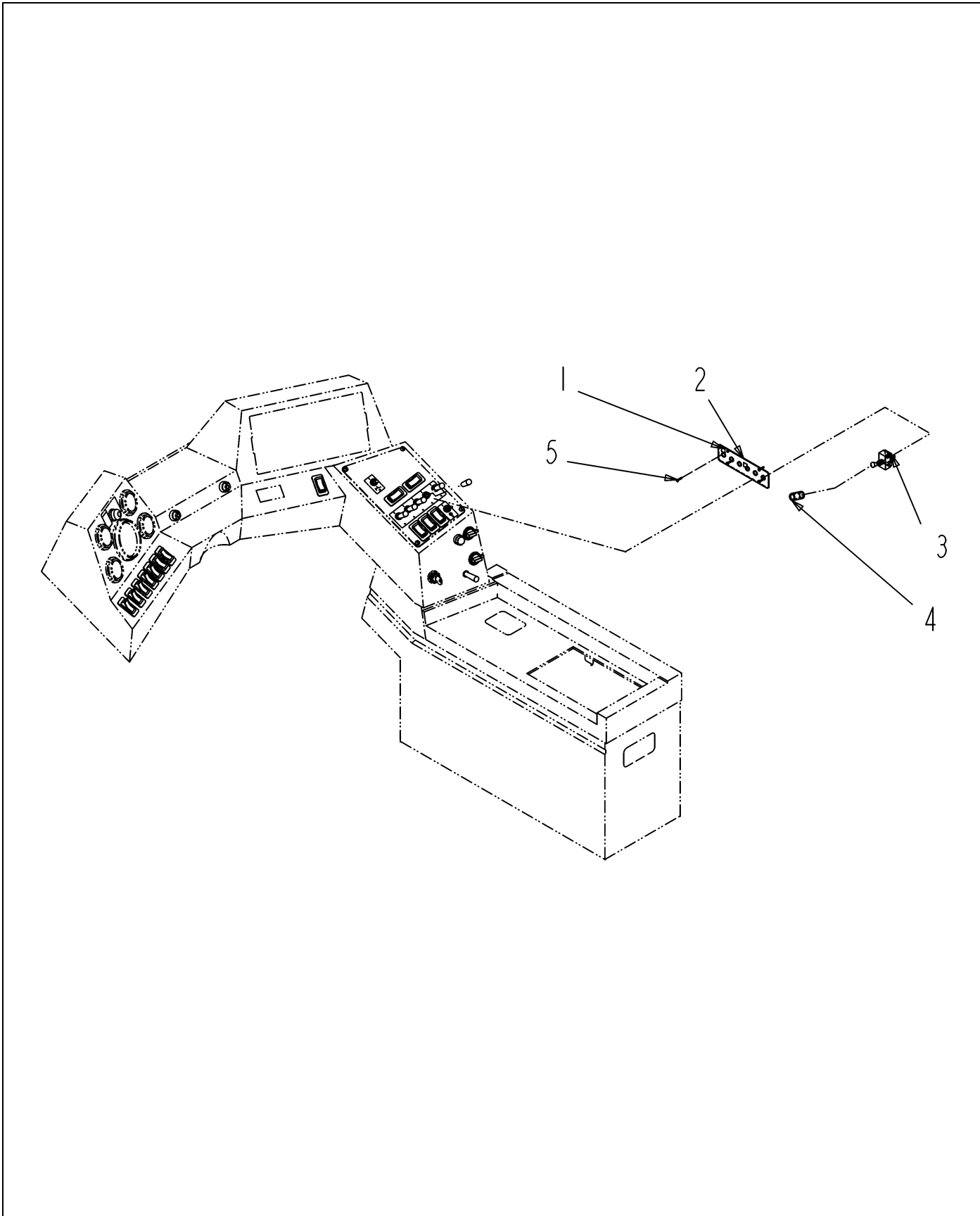


123116-03-N264.TIF



# ELEC COMPONENT INSTL-5SECT

ITEM	PART #	QTY	DESCRIPTION	COMMENTS
1	6597934	1	DECAL-BOOM LIFT (ENG)	
2	6597935	1	DECAL-TIP LIFT,RH (ENG)	
3	6597936	1	DECAL-TIP LIFT,LH (ENG)	
4	6597939	1	DECAL-TIP FOLD,RH (ENG)	
5	6597940	1	DECAL-TIP FOLD,LH (ENG)	
6	6647887	5	SWITCH-TOGGLE,2POS,2X LOCK	
7	6653332	5	EXTENTION-HANDLE	
8	6661253	7	SWITCH-ROCKER	
9	6802446	1	DECAL-TIP FOLD,LH	
10	6802447	1	DECAL-TIP FOLD,RH	
11	WR55852	1	DECAL-BOOM SWITCHES	



612777-A-P271-1.TIF

# ELEC COMPONENT INSTL-6SECT

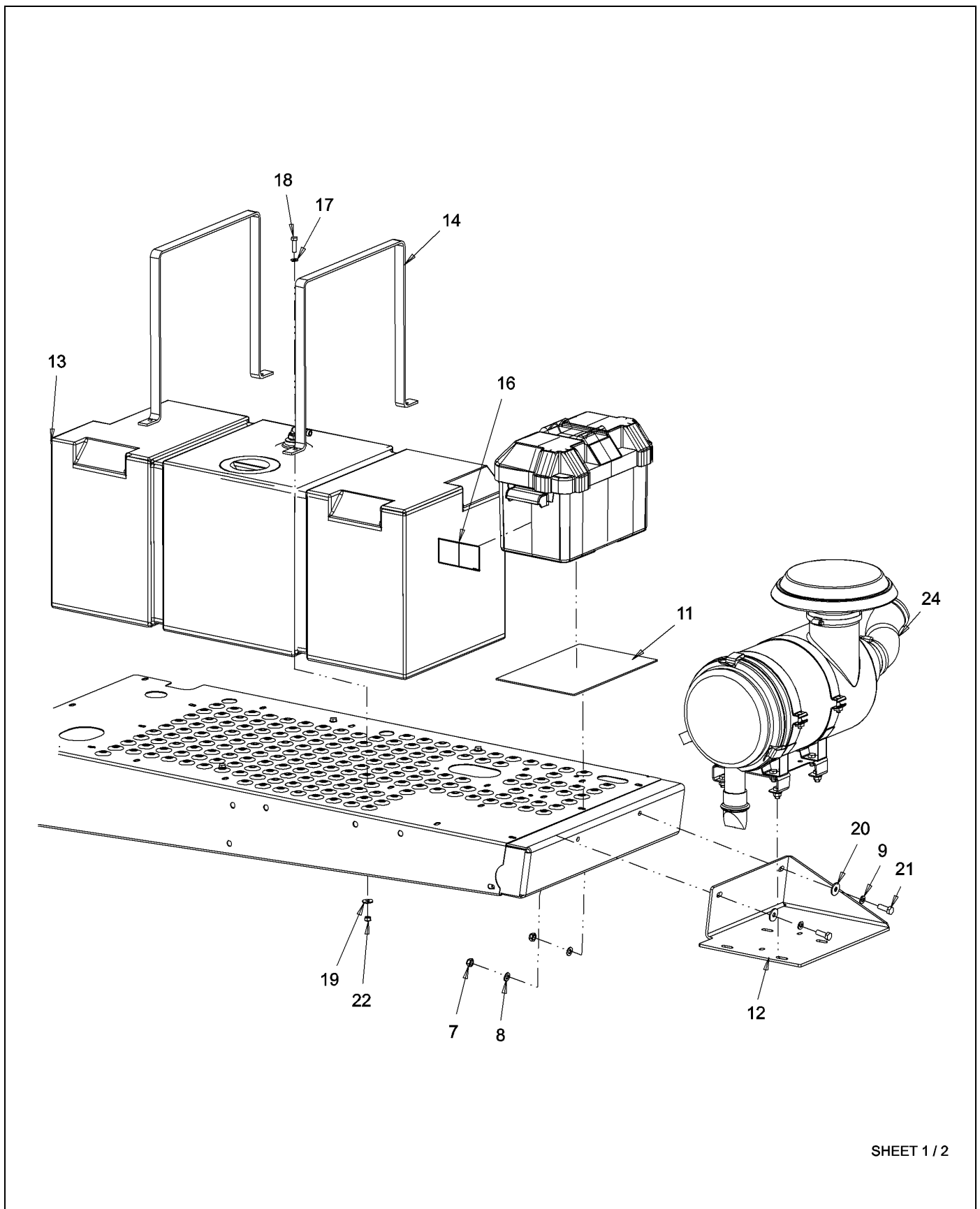
ITEM	PART #	QTY	DESCRIPTION	COMMENTS
1	AG236984	6	DECAL-PAD SWITCH,NOZZLE APPLY	
2	AG611222	1	PLATE-MTG,SWITCH 6SECTIONS	
3	6647887	1	SWITCH-TOGGLE,2POS,2X LOCK	
4	6653332	1	EXTENTION-HANDLE	
5	E101921	4	SCREW-PL,4.2X13,,,ISO7049C-H	

TANK INSTL-RINSE,160L,SC4X55MT	10-1
TANK INSTL-RINSE,160L,SC4X55MT	10-2
TANK ASM-FRESH WATER,SC	10-3
VALVE ASM-TANK RINSE,SC4XXX	10-4
TANK INSTL-RINSE,160L,SC4X55AT	10-5
TANK INSTL-RINSE,160L,SC4X55AT	10-6
TANK RINSE INSTL-COMMON	10-7
VALVE FILTER ASM-TANK RINSE,SC	10-8
VALVE INSTL-TANK RINSE,4SECT	10-9
VALVE INSTL-TANK RINSE,5SECT	10-10
VALVE INSTL-TANK RINSE,6SECT	10-11
VALVE INSTL-TANK RINSE,6SECT	10-12

---



# TANK INSTL-RINSE,160L,SC4X55MT

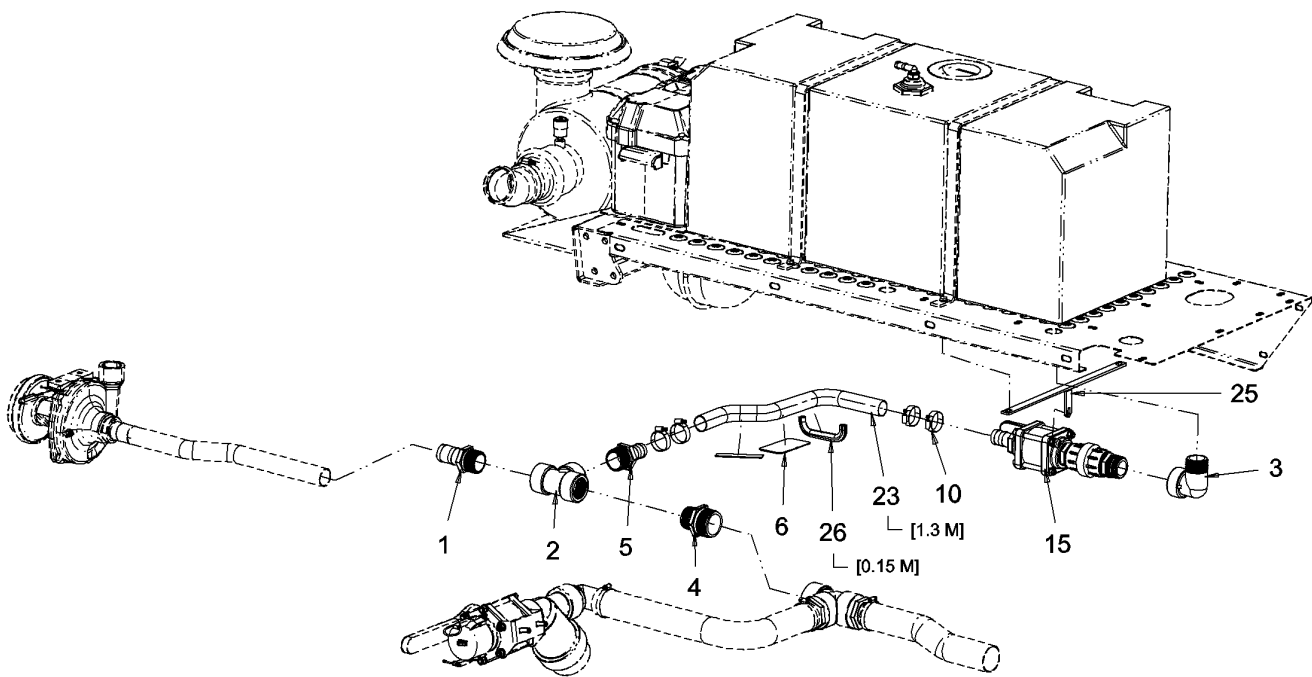


SHEET 1 / 2

611445-C-01.TIF

# TANK INSTL-RINSE,160L,SC4X55MT

ITEM	PART #	QTY	DESCRIPTION	COMMENTS
7	AG520875	2	NUT-M10X1.5,H,SS,NYLON INSERT	
8	AG520878	2	WASHER-FLAT,M10,SS,REG	
9	AG523466	2	WASHER-M10,,,SS,DIN127B	
11	AG611101	1	MAT-BATTERY,LOWER	
12	AG612091	1	BRACKET-MTG,AIR FILTER	
13	AG690000	1	TANK ASM-FRESH WATER,SC	SEE PAGE 10-3
14	AG690001	2	BRACKET ASM-FRESH WATER TANK	
16	511096D1	1	EXPLOSION HAZARD/DISC.BATTERY (INT)	
17	E100013	4	WASHER-M8,,,ISO7089	
18	E100119	4	BOLT-M8X30,8.8,,,ISO4017	
19	E102068	4	WASHER-M8,SS,ISO7093	
20	E102070	2	WASHER-M10,SS,ISO7093	
21	E105053	2	BOLT-M10X30,,,SS,ISO4017	
22	E105163	4	NUT-M8,,,SS,ISO7040	
24	E552278	1	ELBOW-AIR INTAKE,SS	



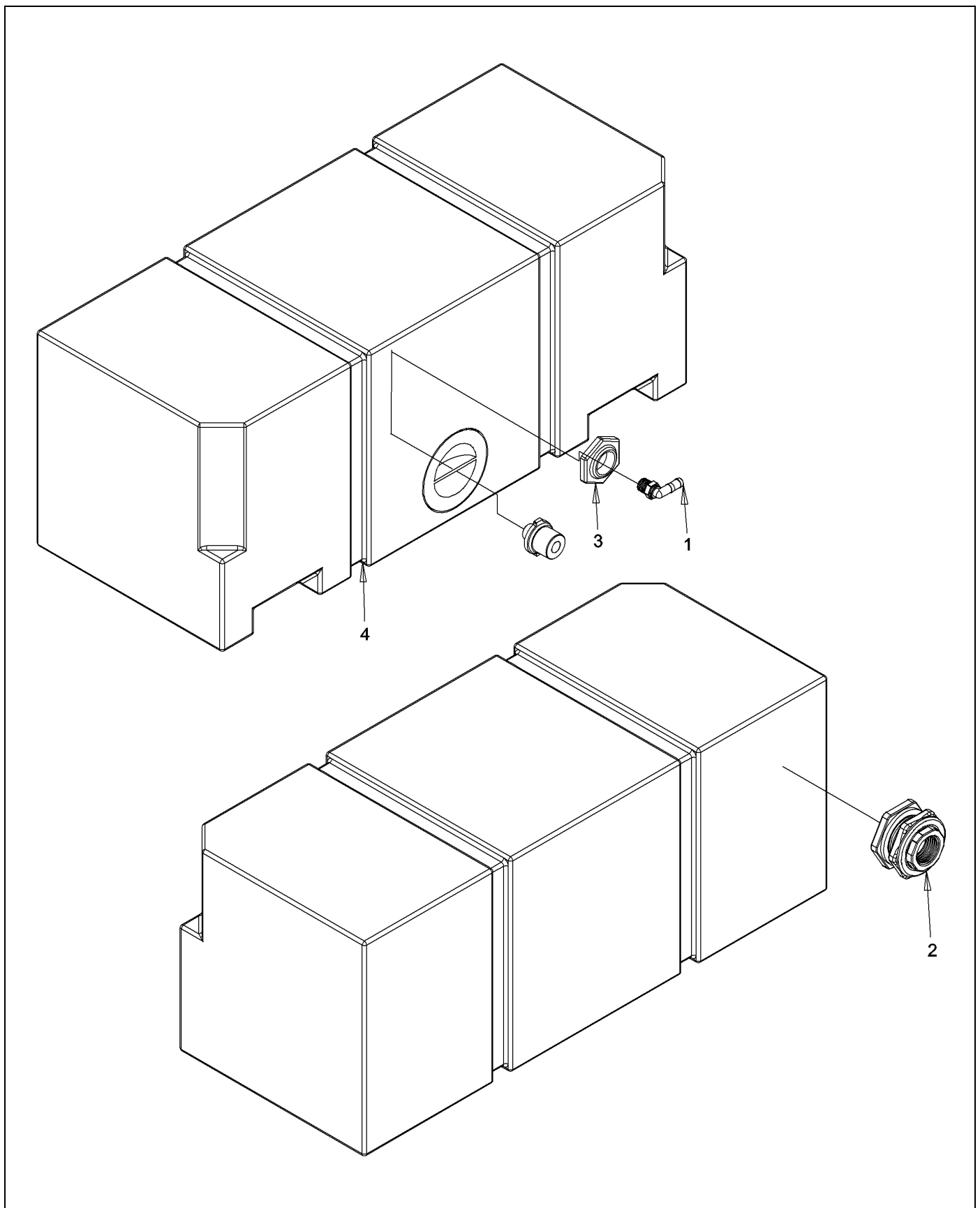
SHEET 2 / 2

611445-C-02.TIF



# TANK INSTL-RINSE,160L,SC4X55MT

ITEM	PART #	QTY	DESCRIPTION	COMMENTS
1	AG000766	1	HOSE BARB-1.50NPTX1.50BARB,PP	
2	AG050273	1	TEE-PIPE,1.50FNPT,PP	
3	AG050688	1	ELBOW-ST,90DEG,1.50NPT	
4	AG051439	1	NIPPLE-RDCR,2.00X1.50MNPT	
5	AG051534	1	HOSE BARB-1.50MNPTX1.25BARB,PP	
6	AG519862	2	PROTECTOR-HOSE,4.0IN,EPHA	
10	AG561230	4	CLAMP 0.81-1.75 HOSE 20HS	
15	AG690005	1	VALVE ASM-TANK RINSE,SC4xxx	SEE PAGE 10-4
23	E502016	-	HOSE-SUCT/PRESS,32MM ID,10BAR [BULK: 1.30 METER]	
25	E558795	1	BRACKET WLDMT-BALL VALVE	
26	E740014	-	SECTION-CLAMP,1.5-4MM [BULK: 0.15 METER]	

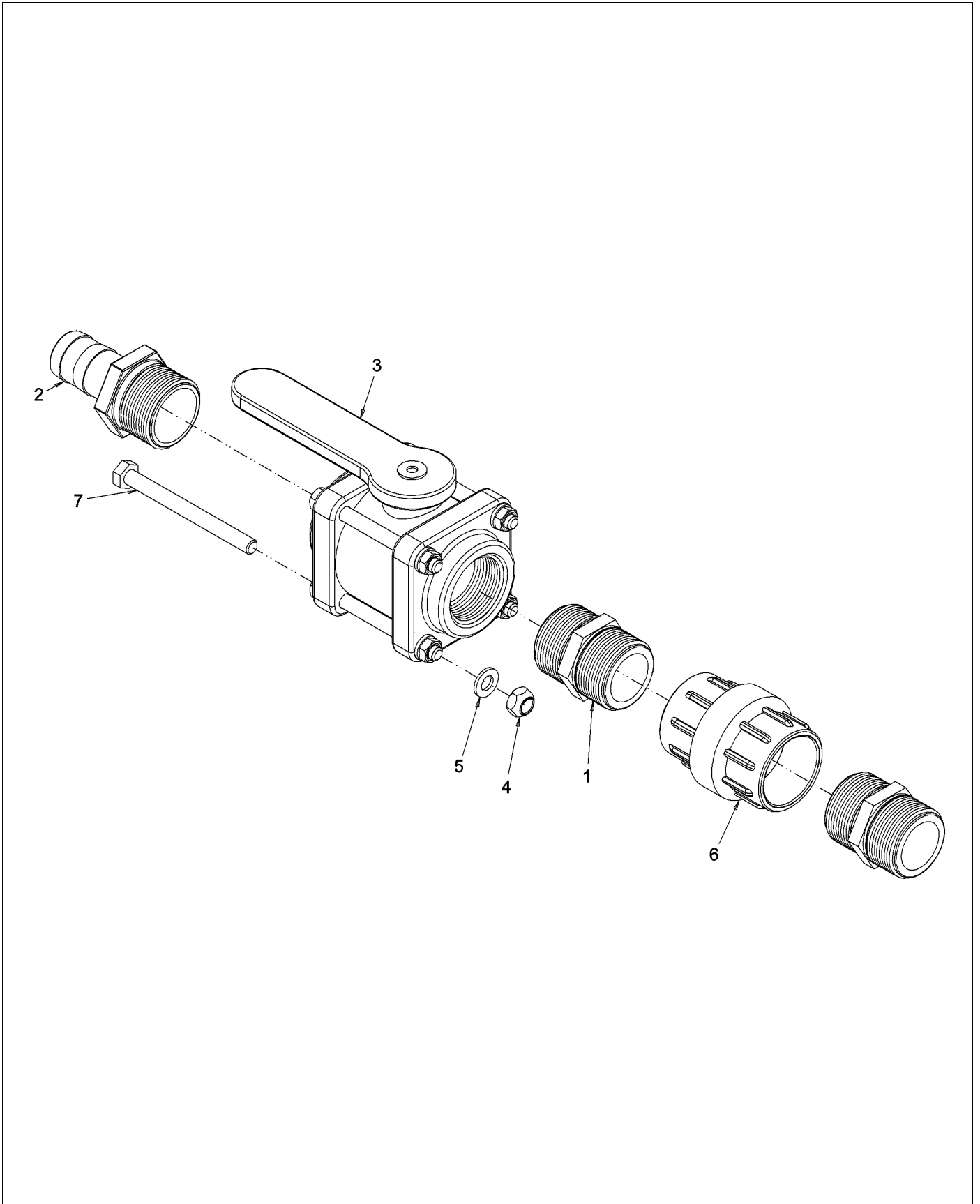


690000-A-01.TIF

# TANK ASM-FRESH WATER,SC

ITEM	PART #	QTY	DESCRIPTION	COMMENTS
1	AG051139	1	ELBOW-90DEG.,.50NPTX.50BARB	
2	AG054741	1	FITTING-TANK,1.50NPT,PP	
3	AG517133	1	FITTING-TANK,0.50 BDL THD	
4	E862504	1	TANK-FRESH WATER,RECT,BLACK	[A]
	FOOTNOTE [A]		CANNOT BE PURCHASED INDIVIDUALLY.	

# VALVE ASM-TANK RINSE,SC4XXX

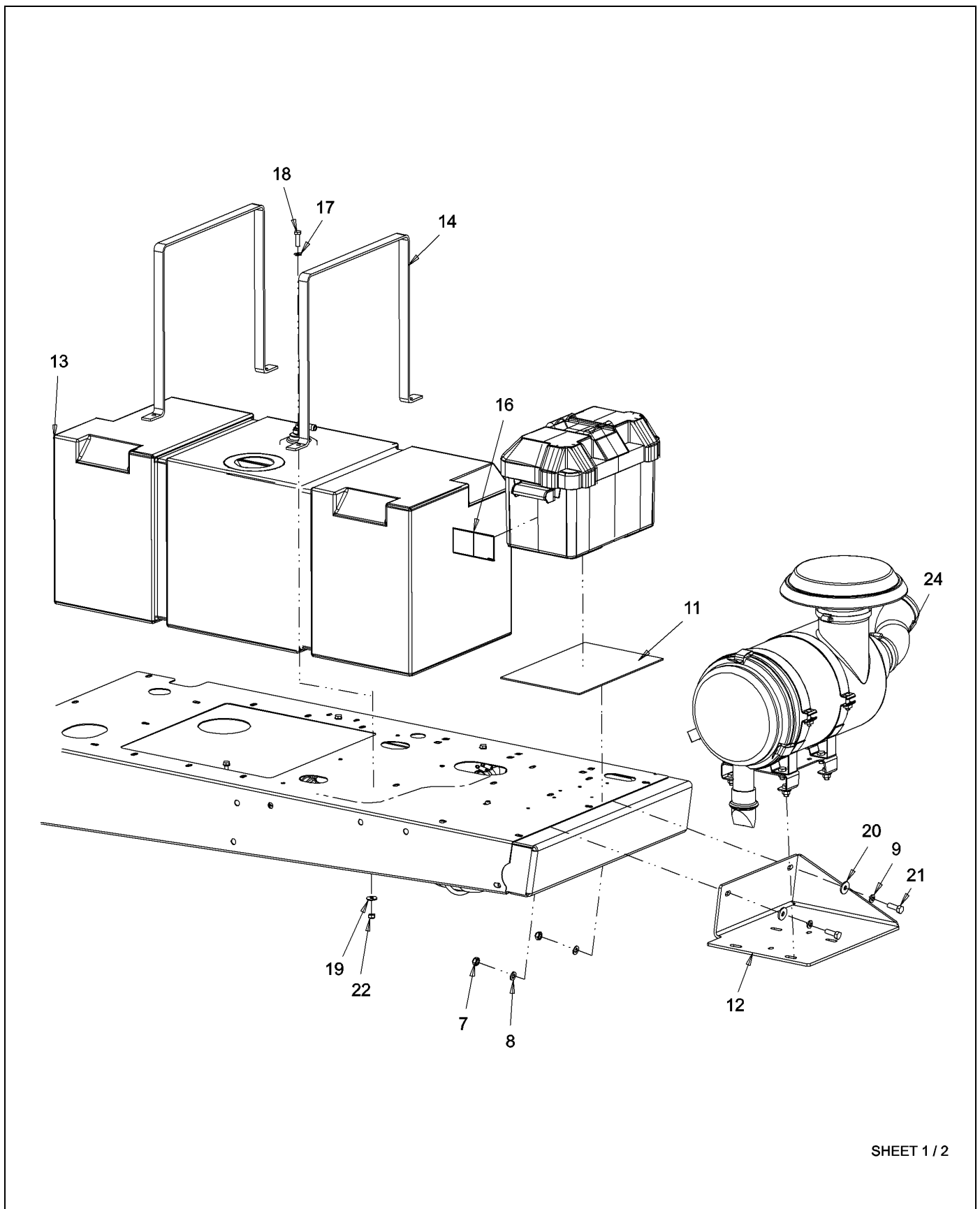


690005-A-01.TIF

# VALVE ASM-TANK RINSE,SC4XXX

ITEM	PART #	QTY	DESCRIPTION	COMMENTS
1	AG050253	2	NIPPLE-DOUBLE,1.50MNPT,PP	
2	AG051534	1	HOSE BARB-1.50MNPTX1.25BARB,PP	
3	AG513722	1	VALVE-BALL,1.50FNPT,PP,FF	
4	AG520875	1	NUT-M10X1.5,H,SS,NYLON INSERT	
5	AG520878	1	WASHER-FLAT,M10,SS,REG	
6	E000894	1	VALVE-CHECK,1.1/2FNPT,PP(ARAG)	
7	E105066	1	BOLT-M10X110,,,SS,ISO4014	

# TANK INSTL-RINSE,160L,SC4X55AT

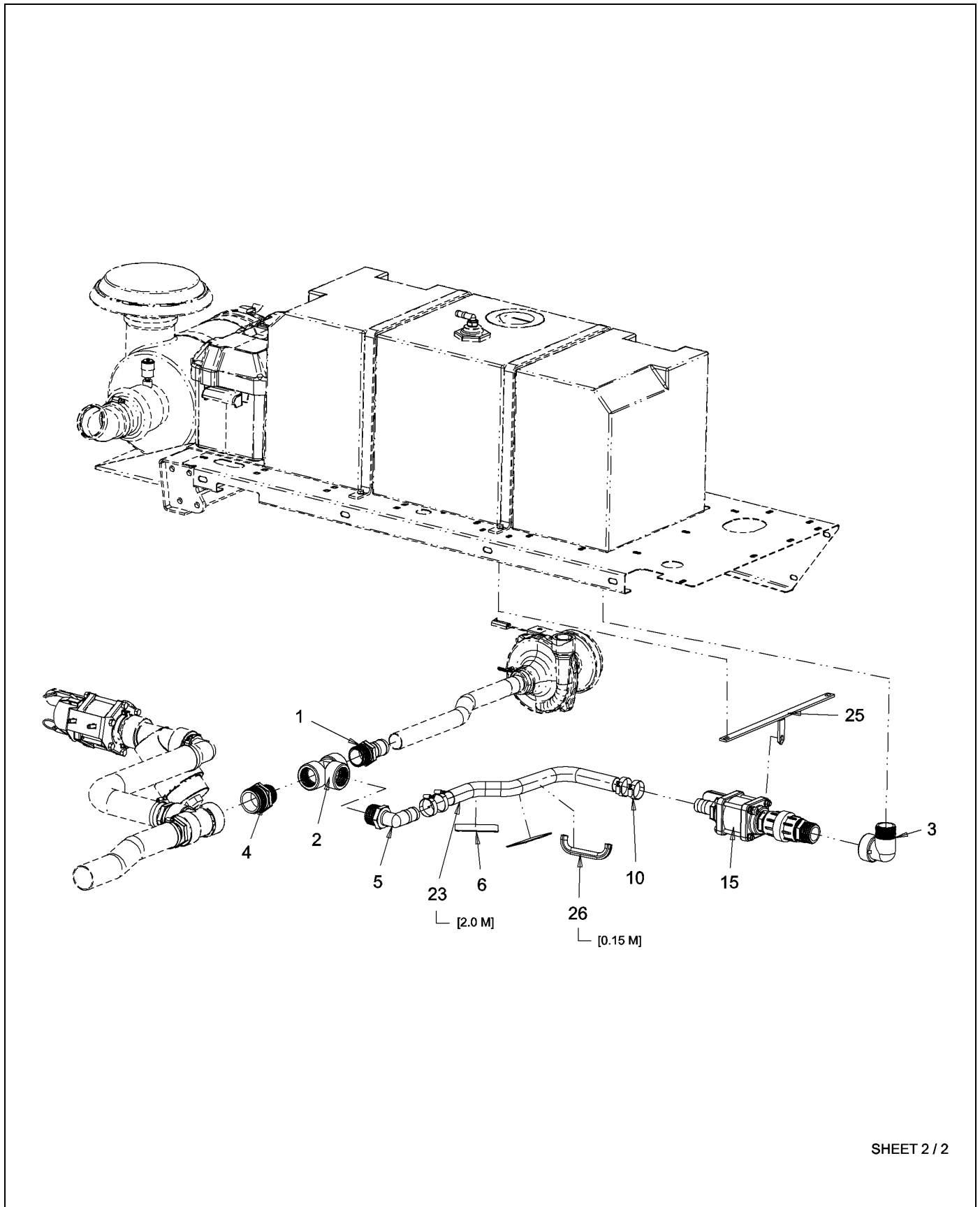


SHEET 1 / 2

622620-B-01.TIF

# TANK INSTL-RINSE,160L,SC4X55AT

ITEM	PART #	QTY	DESCRIPTION	COMMENTS
7	AG520875	2	NUT-M10X1.5,H,SS,NYLON INSERT	
8	AG520878	2	WASHER-FLAT,M10,SS,REG	
9	AG523466	2	WASHER-M10,,,SS,DIN127B	
11	AG611101	1	MAT-BATTERY,LOWER	
12	AG612091	1	BRACKET-MTG,AIR FILTER	
13	AG690000	1	TANK ASM-FRESH WATER,SC	SEE PAGE 10-3
14	AG690001	2	BRACKET ASM-FRESH WATER TANK	
16	511096D1	1	EXPLOSION HAZARD/DISC.BATTERY (INT)	
17	E100013	4	WASHER-M8,,,ISO7089	
18	E100119	4	BOLT-M8X30,8.8,,,ISO4017	
19	E102068	4	WASHER-M8,SS,ISO7093	
20	E102070	2	WASHER-M10,SS,ISO7093	
21	E105053	2	BOLT-M10X30,,,SS,ISO4017	
22	E105163	4	NUT-M8,,,SS,ISO7040	
24	E552278	1	ELBOW-AIR INTAKE,SS	
27	E240115	1	ELBOW-90DEG,HPV 1/2JIC	



SHEET 2 / 2

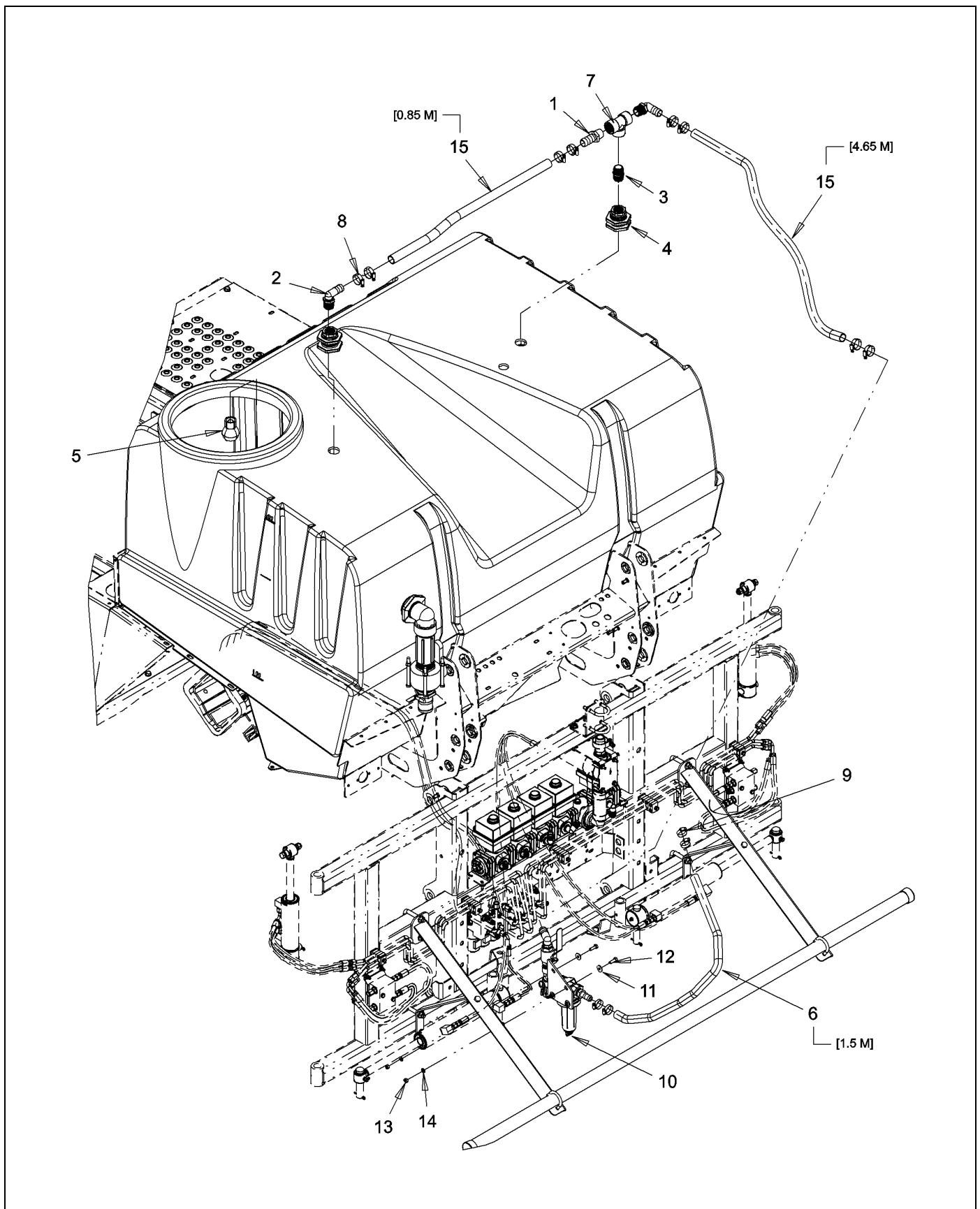
622620-B-02.TIF



# TANK INSTL-RINSE,160L,SC4X55AT

ITEM	PART #	QTY	DESCRIPTION	COMMENTS
1	AG000766	1	HOSE BARB-1.50NPTX1.50BARB,PP	
2	AG050273	1	TEE-PIPE,1.50FNPT,PP	
3	AG050688	1	ELBOW-ST,90DEG,1.50NPT	
4	AG051439	1	NIPPLE-RDCR,2.00X1.50MNPT	
5	AG055299	1	HOSE BARB-90DEG,1.50MNPTX1.25	
6	AG519862	2	PROTECTOR-HOSE,4.0IN,EPHA	
10	AG561230	4	CLAMP 0.81-1.75 HOSE 20HS	
15	AG690005	1	VALVE ASM-TANK RINSE,SC4xxx	SEE PAGE 10-4
23	E502016	-	HOSE-SUCT/PRESS,32MM ID,10BAR [BULK: 2.00 METER]	
25	E558795	1	BRACKET WLDMT-BALL VALVE	
26	E740014	-	SECTION-CLAMP,1.5-4MM [BULK: 0.15 METER]	

# TANK RINSE INSTL-COMMON

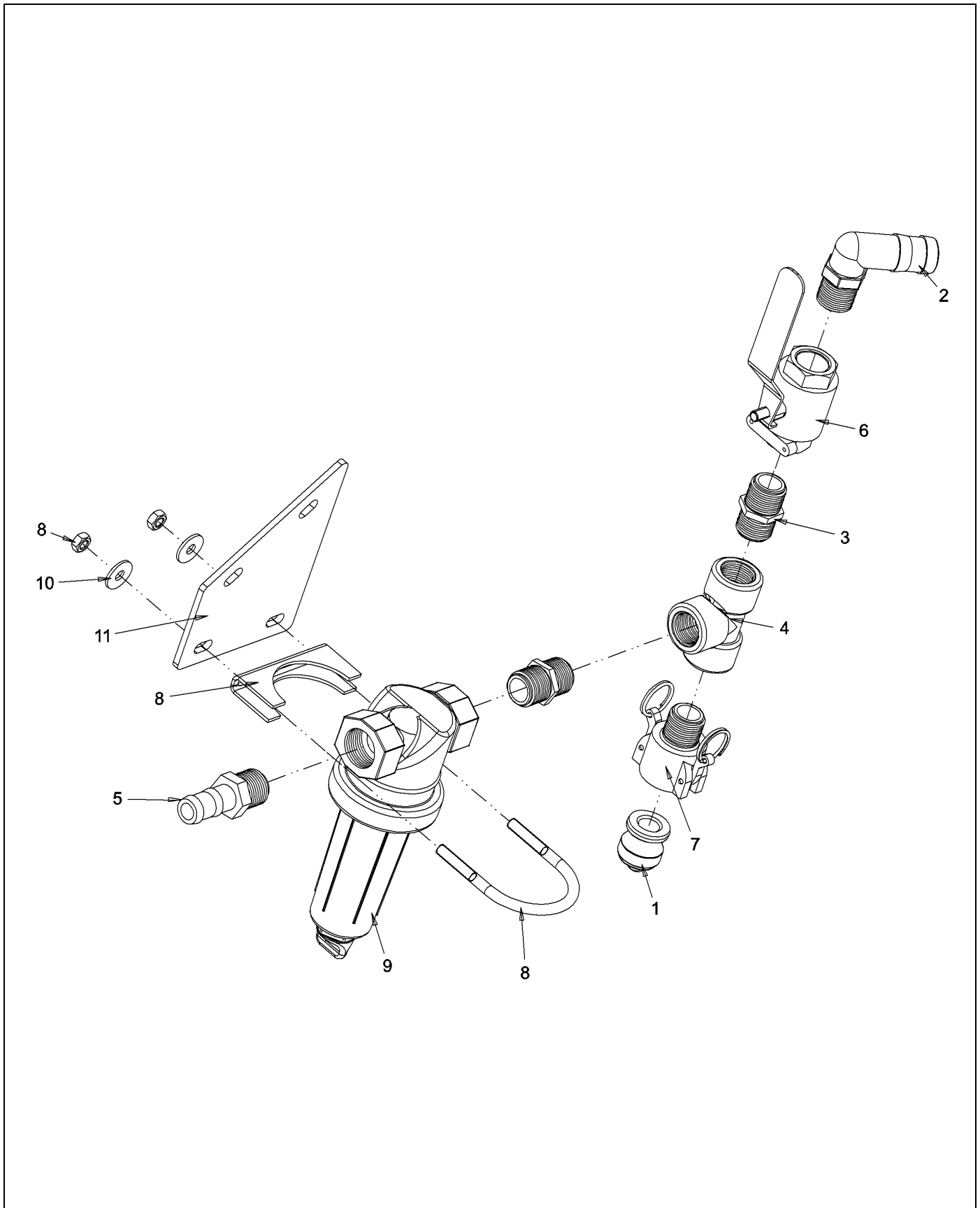


613320-C-01.TIF

# TANK RINSE INSTL-COMMON

ITEM	PART #	QTY	DESCRIPTION	COMMENTS
1	AG051059	1	HOSE BARB-1.00MNPTX1.00BARB,PP	
2	AG051145	2	HOSE BARB-90DEG,1.0MNPTX1.0,PP	
3	AG051153	1	NIPPLE-DOUBLE,1.00MNPT,PP	
4	AG054739	2	FIITTING-TANK,1.00NPT,PP	
5	AG331044	2	NOZZLE-RINSE,NEW STYLE	
6	AG513385	-	HOSE-3/4IN,2BDR,EPDM [BULK: 1.50 METER]	
7	AG516405	1	TEE-PIPE,1.00FNPT,PP	
8	AG561213	8	CLAMP-HOSE,0.81-1.50 16HS	
9	AG561229	4	CLAMP-HOSE,13-32MM,SS	
10	AG690007	1	VALVE FILTER ASM-TANK RINSE,SC	SEE PAGE 10-8
11	E102068	2	WASHER-M8,SS,ISO7093	
12	E105025	2	BOLT-M8X25,,SS,ISO4017	
13	E105163	2	NUT-M8,,SS,ISO7040	
14	E105318	2	WASHER-M8,SS,ISO7089	
15	E502056	-	HOSE-SUCT/PRESS,25MM ID,10BAR [BULK: 5.50 METER]	

# VALVE FILTER ASM-TANK RINSE,SC

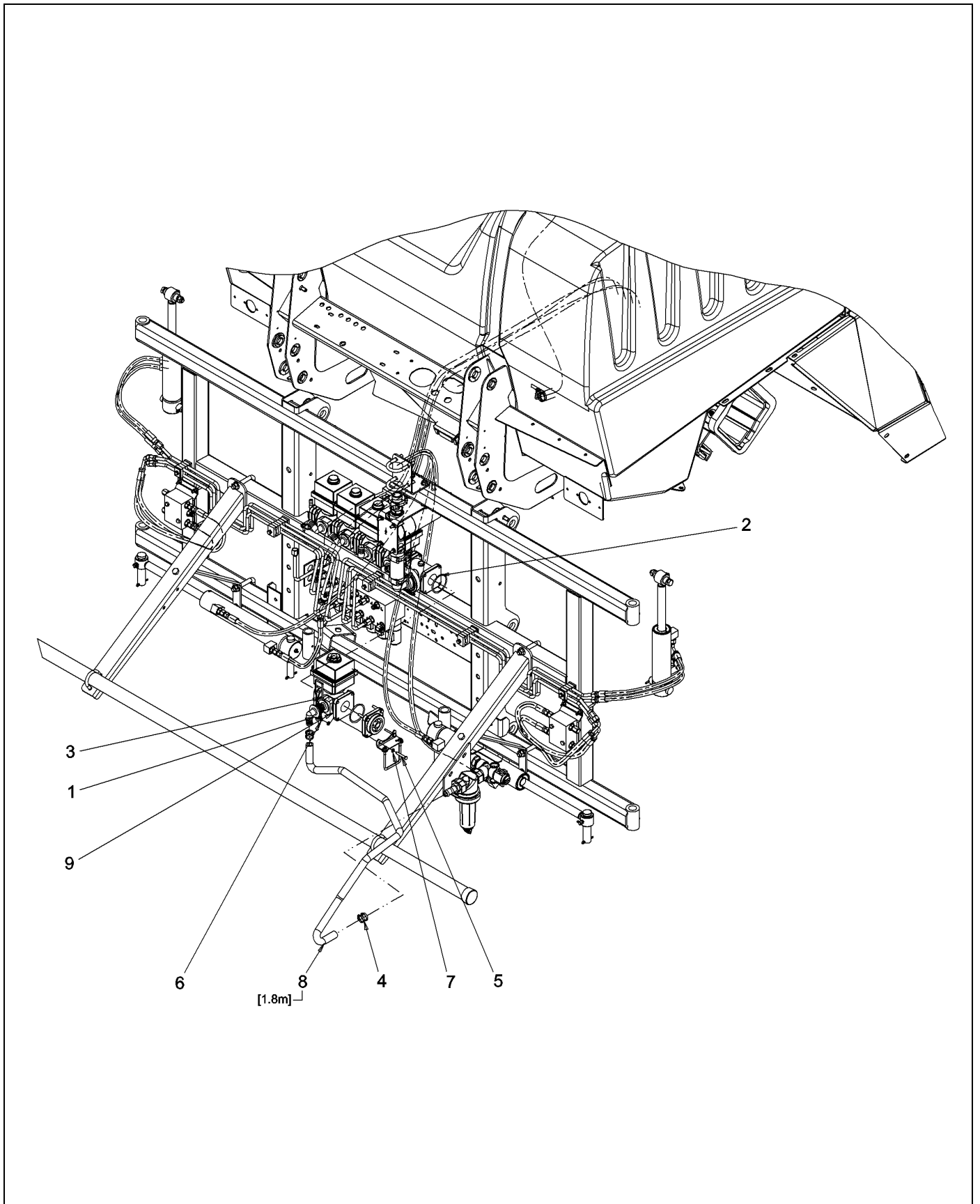


690007-A-01.TIF

# VALVE FILTER ASM-TANK RINSE,SC

ITEM	PART #	QTY	DESCRIPTION	COMMENTS
1	AG006669	1	CAP-CAMLOCK .75,MA	
2	AG051143	1	HOSE BARB-90DEG,.75MNPTX1.0,PP	
3	AG051151	2	NIPPLE-DOUBLE,.75MNPT,PP	
4	AG051161	1	TEE-PIPE,.75FNPT,PP	
5	AG051179	1	HOSE BARB-.75MNPTX.75BARB,PP	
6	AG059766	1	VALVE-BALL,.75NPT,SS	
7	AG514534	1	ADAPTER-CAMLOCK .75MNPT,FE	
8	6595786	1	CLAMP, FULL CIRCLE	
9	6665873	1	FILTER ASM-BOOM,BANJO	
10	E102068	2	WASHER-M8,SS,ISO7093	
11	E558801	1	PLATE-MTG,BOOM FILTER	

# VALVE INSTL-TANK RINSE,4SECT

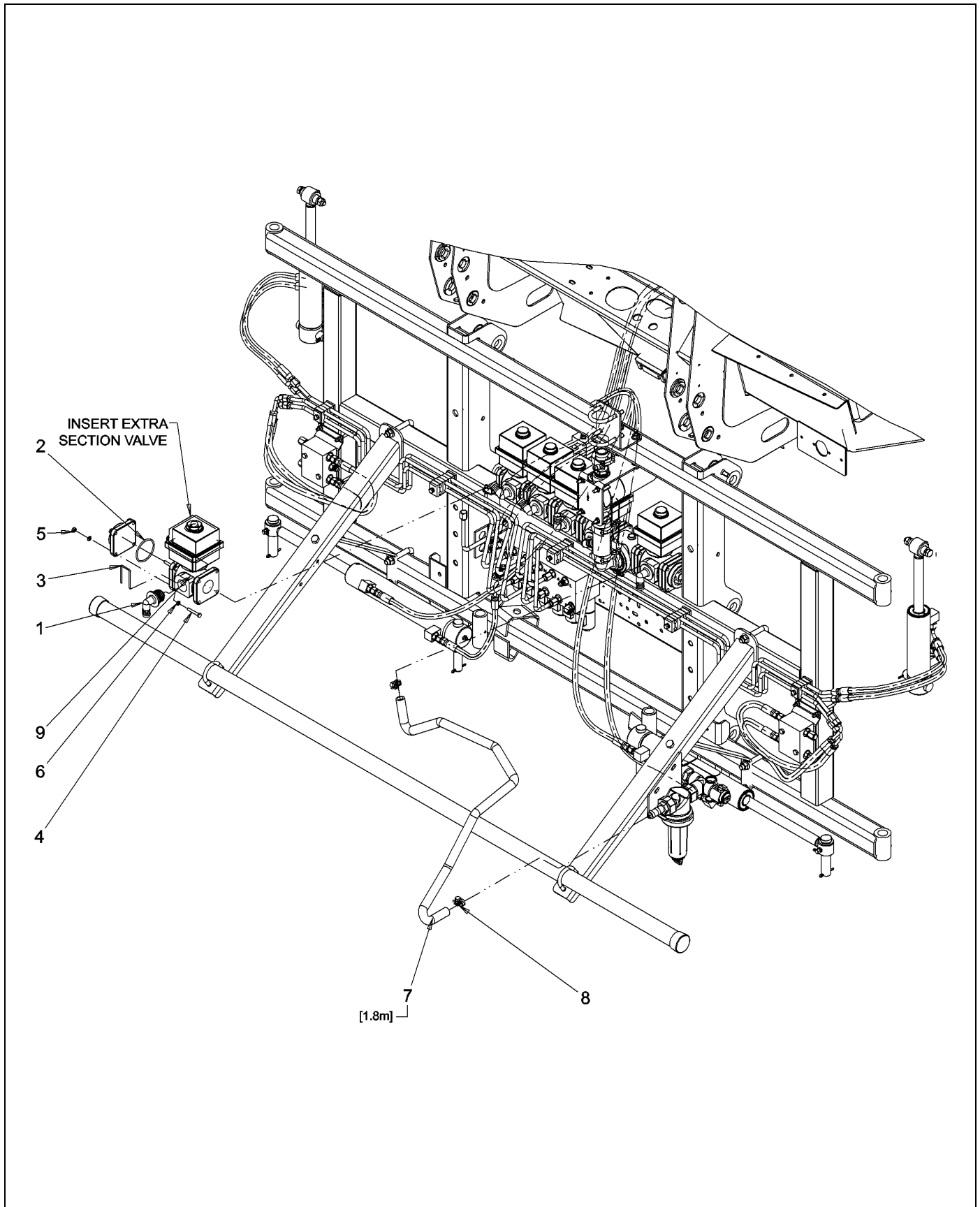


611317-B-01.TIF

# VALVE INSTL-TANK RINSE,4SECT

ITEM	PART #	QTY	DESCRIPTION	COMMENTS
1	WR122618	1	HAIR PIN-1/8,SS	
2	WR34501	1	ELBOW-90DEG,-12HB	
3	WR35020	2	ORING-SEAL,VALVE,QC3	
4	AG561215	4	CLAMP 0.50-0.91 HOSE 8HS	
5	E105008	4	BOLT-M6X40,,,SS,ISO4017	
6	E105162	4	NUT-M6,,,SS,ISO7040	
7	E105316	8	WASHER-M6,SS,ISO7089	
8	E502026	-	HOSE-FUEL/OIL,19MM ID,10BAR [BULK: 1.80 METER]	
9	WR56044	1	VALVE W/POWER HEAD	

# VALVE INSTL-TANK RINSE,5SECT



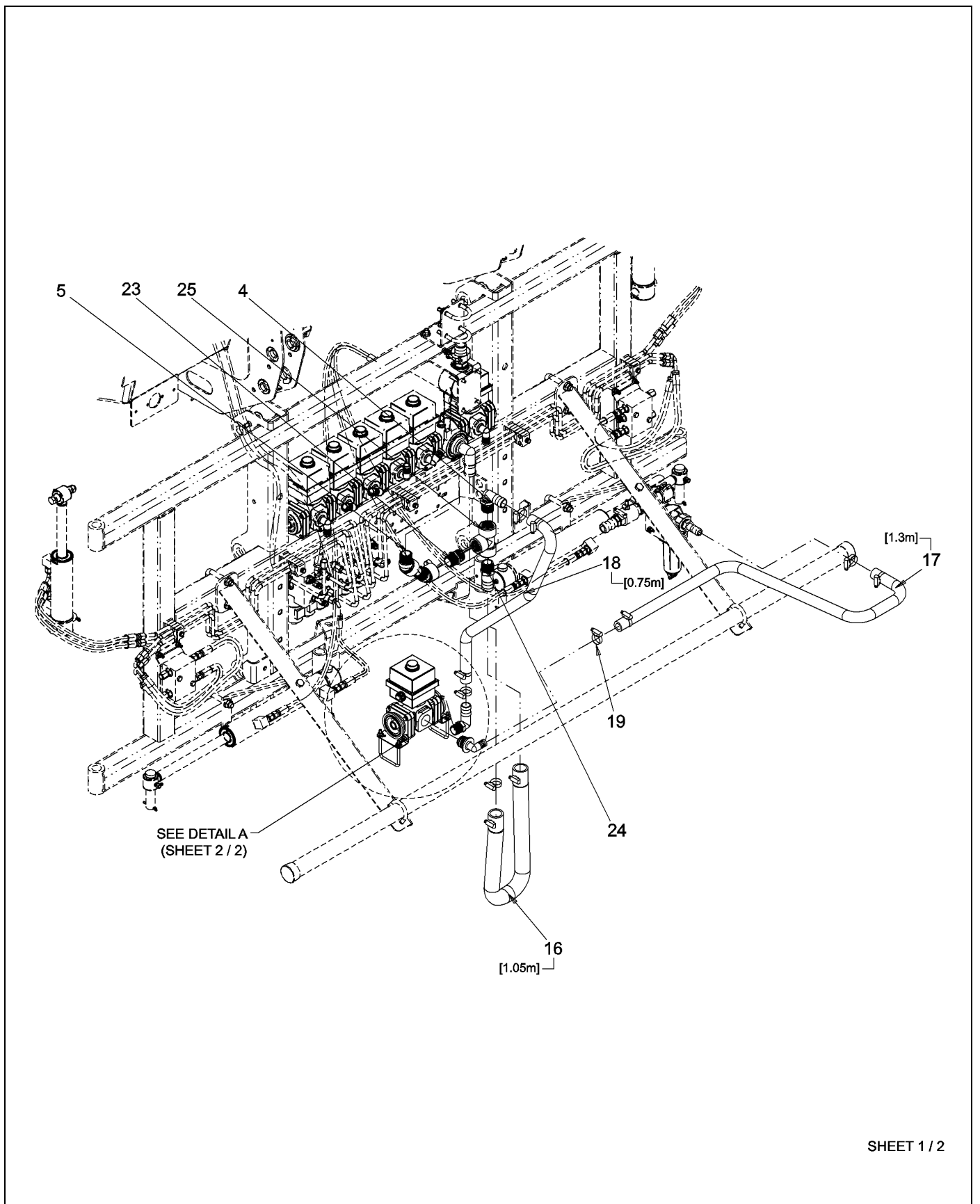
613321-B-01.TIF



# VALVE INSTL-TANK RINSE,5SECT

ITEM	PART #	QTY	DESCRIPTION	COMMENTS
1	WR34501	1	ELBOW-90DEG,-12HB	
2	WR35020	2	ORING-SEAL,VALVE,QC3	
3	WR122618	1	HAIR PIN-1/8,SS	
4	E105008	4	BOLT-M6X40,,,SS,ISO4017	
5	E105162	4	NUT-M6,,,SS,ISO7040	
6	E105316	8	WASHER-M6,SS,ISO7089	
7	E502026	-	HOSE-FUEL/OIL,19MM ID,10BAR [BULK: 1.80 METER]	
8	E502319	2	CLAMP-HOSE,16-27MM,SS	
9	WR56044	1	VALVE W/POWER HEAD	

# VALVE INSTL-TANK RINSE,6SECT



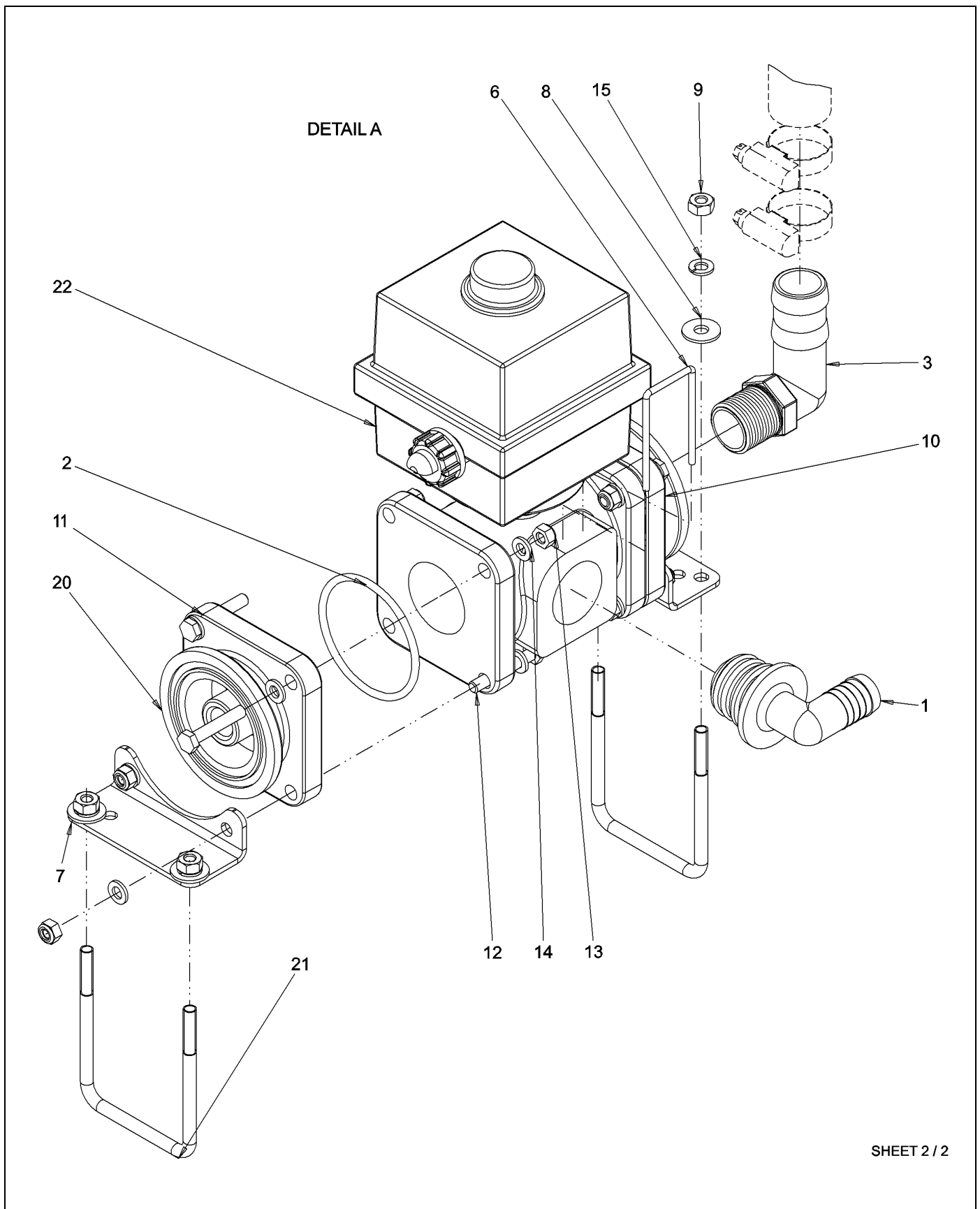
SHEET 1 / 2

613322-B-01.TIF

## VALVE INSTL-TANK RINSE,6SECT

ITEM	PART #	QTY	DESCRIPTION	COMMENTS
4	AG051145	1	HOSE BARB-90DEG,1.0MNPTX1.0,PP	
5	AG052342	2	ELBOW-ST,45DEG,1.00NPT	
16	E502016	-	HOSE-SUCT/PRESS,32MM ID,10BAR [BULK: 1.05 METER]	
17	E502026	-	HOSE-FUEL/OIL,19MM ID,10BAR [BULK: 1.30 METER]	
18	E502083	-	HOSE-SUCT/PRESS,FUEL,10BAR [BULK: 0.75 METER]	
19	E502321	12	CLAMP-HOSE,30-45MM,SS	
23	AG051153	1	NIPPLE-DOUBLE,1.00MNPT,PP	
24	AG051183	1	HOSE BARB-1.00MNPTX1.25BARB,PP	
25	AG516405	1	TEE-PIPE,1.00FNPT,PP	

# VALVE INSTL-TANK RINSE,6SECT



SHEET 2 / 2

613322-B-02.TIF

# VALVE INSTL-TANK RINSE,6SECT

ITEM	PART #	QTY	DESCRIPTION	COMMENTS
1	WR34501	1	ELBOW-90DEG,-12HB	
2	WR35020	2	ORING-SEAL,VALVE,QC3	
3	AG051143	1	HOSE BARB-90DEG,.75MNPTX1.0,PP	
6	WR122618	1	HAIR PIN-1/8,SS	
7	WR122620	2	BRACKET-MOUNTING,ELEC VALVE	
8	AG550507	4	WASHER-FLAT,.25,ZN,REG,TYPE B	
9	AG550612	4	NUT-.50-20UNC,HEX,ZN,REG	
10	AG614630	1	CAP-BLANK,QC3 VALVE,3/4FBSP	
11	E105007	4	BOLT-M6X35,,,SS,ISO4017	
12	E105008	4	BOLT-M6X40,,,SS,ISO4017	
13	E105162	8	NUT-M6,,,SS,ISO7040	
14	E105316	16	WASHER-M6,SS,ISO7089	
15	E105415	4	WASHER-1/4IN,,,DIN128A	
20	WR36853	1	CAP-BLANK,POLY QC3 VALVE	
21	WR55582	2	BOLT-U,DRAWBAR	
22	WR56044	1	VALVE W/POWER HEAD	

COOLER INSTL-OIL,SC4X50

11-1

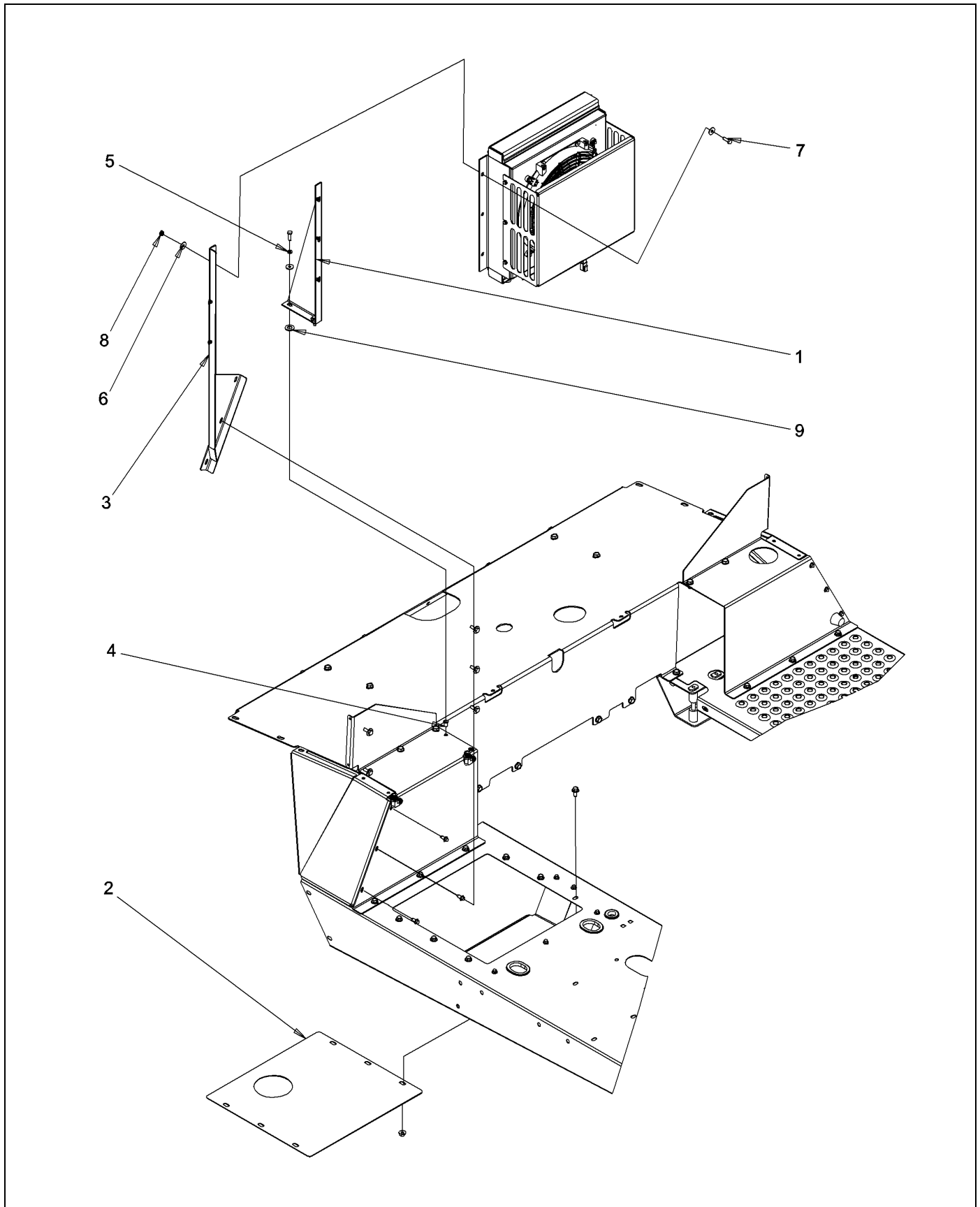
HOSE INSTL-OILCOOLER,SC4X55

11-2

---



# COOLER INSTL-OIL,SC4X50

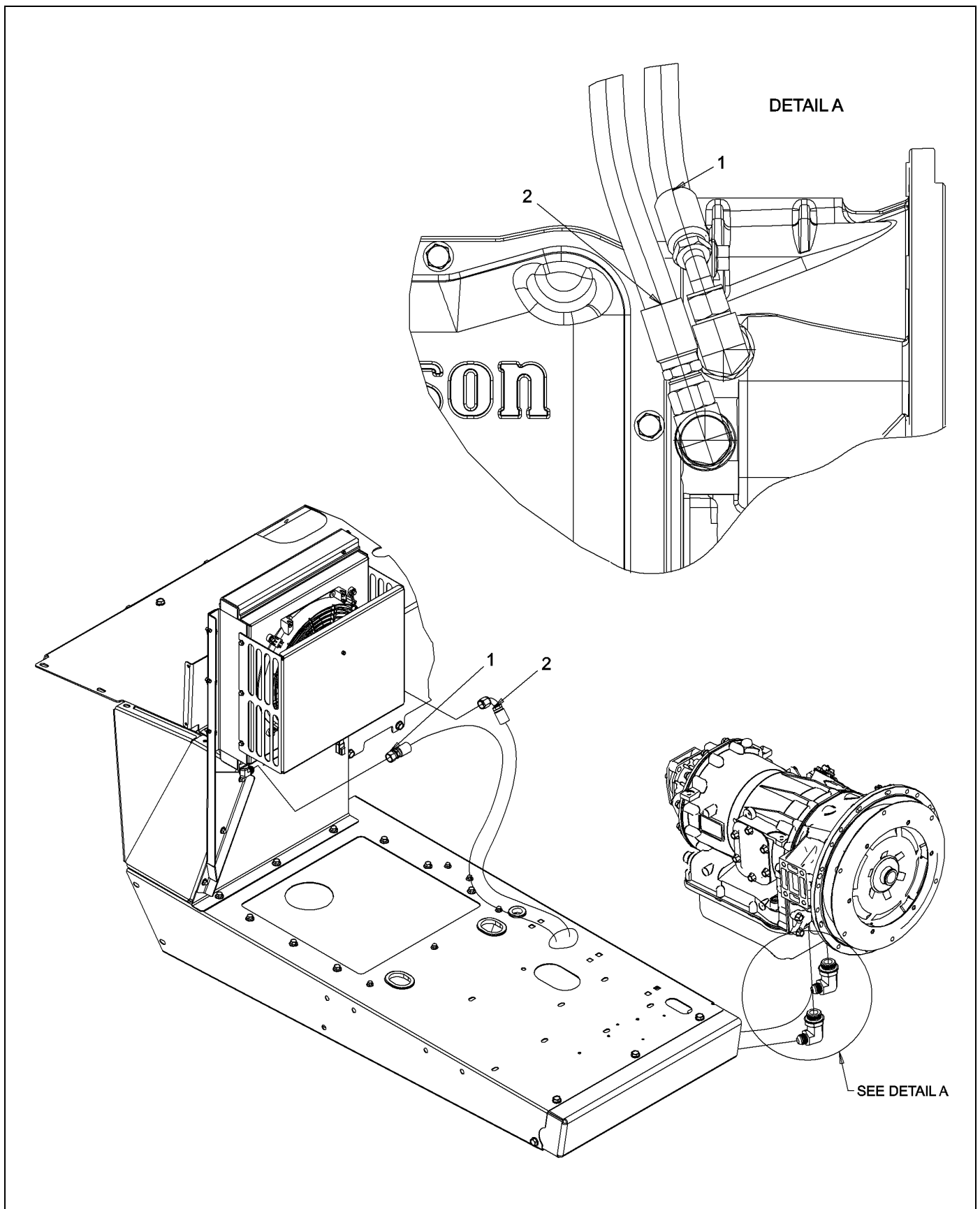


611391-B-01.TIF



# COOLER INSTL-OIL,SC4X50

ITEM	PART #	QTY	DESCRIPTION	COMMENTS
1	AG612432	1	BRACKET-MTG,COOLER,INSIDE	
2	AG612433	1	PLATE-COVER,FOOTBOARD	
3	AG612434	1	BRACKET WLDMT-MTG,COOLER,OUT	
4	AG691064	2	NUT-BLIND RIVET,M8	
5	E100001	2	WASHER-M8,,,DIN127B	
6	E100025	14	WASHER-M8,,,ISO7093	
7	E100118	8	BOLT-M8X25,8.8,,,ISO4017	
8	E105163	6	NUT-M8,,,SS,ISO7040	
9	E105321	2	WASHER-M14,SS,ISO7089	



622573-A-01.TIF

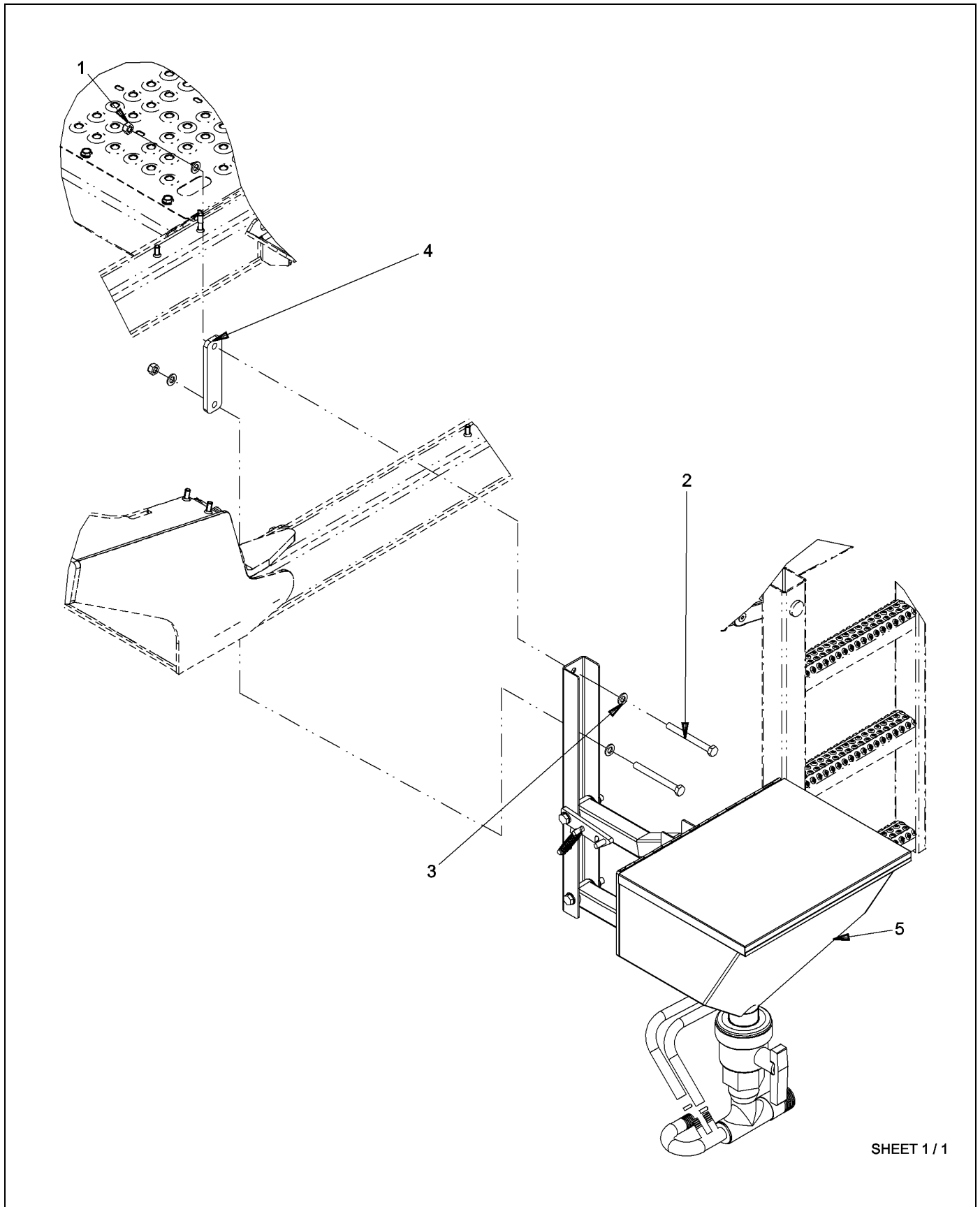
# HOSE INSTL-OILCOOLER,SC4X55

ITEM	PART #	QTY	DESCRIPTION	COMMENTS
1	AG622570	1	HOSE ASM -1/2X1800,FJS90/FJS	
2	AG622571	1	HOSE ASM -1/2X-2150,FJS45/FJS	

EDUCTOR INSTL-CHEM,SS,SC	12-1
EDUCTOR ASM-CHEM,SS	12-2
PLUMBING INSTL-CHEM EDUC,SS,SC	12-3
PLUMBING INSTL-CHEM EDUC,SS,SC	12-4
PLUMBING INSTL-CHEM EDUC,SS,SC	12-5

---





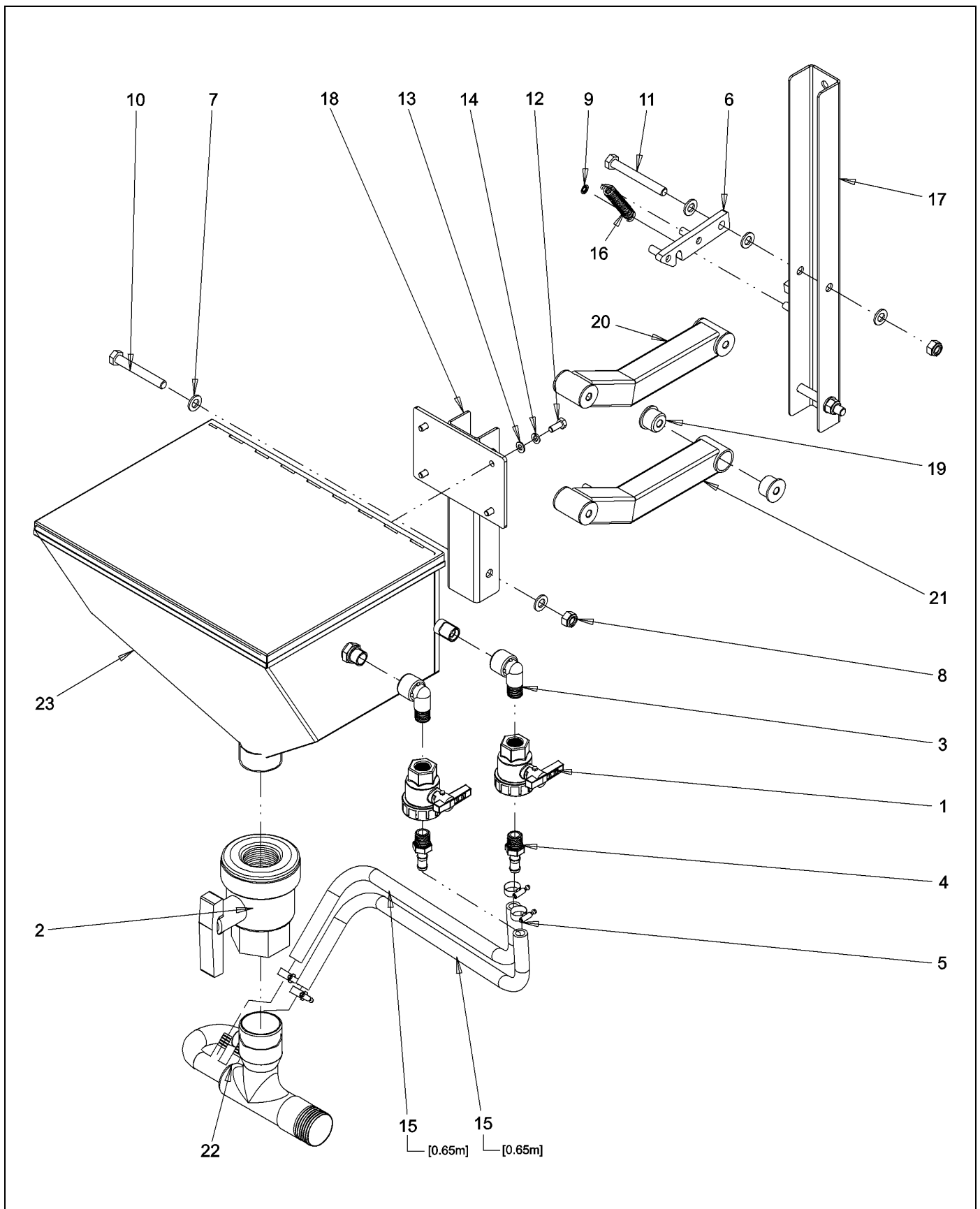
SHEET 1 / 1

611151-C-01.TIF

# EDUCTOR INSTL-CHEM,SS,SC

ITEM	PART #	QTY	DESCRIPTION	COMMENTS
1	E100039	2	NUT-M12,8,,,ISO7040	
2	E100297	2	BOLT-M12X120,8.8,,,ISO4014	
3	E105320	4	WASHER-M12,SS,ISO7089	
4	E558811	1	STRIP-CLAMP,CHEM ICAL EDUCTOR	
5	E558834	1	EDUCTOR ASM-CHEM,SS	SEE PAGE 12-2

# EDUCTOR ASM-CHEM,SS

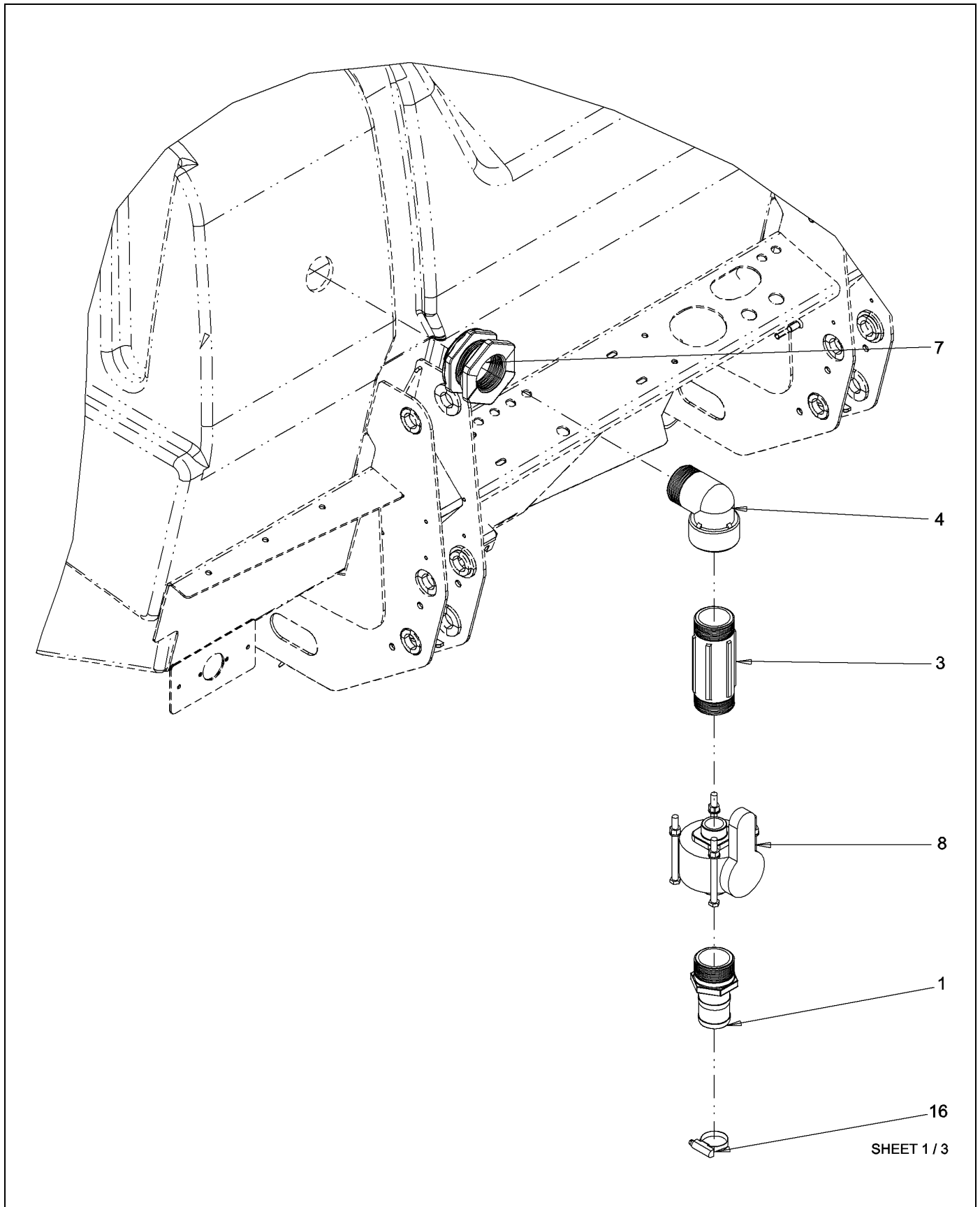


E558834-D-01.TIF



# EDUCTOR ASM-CHEM,SS

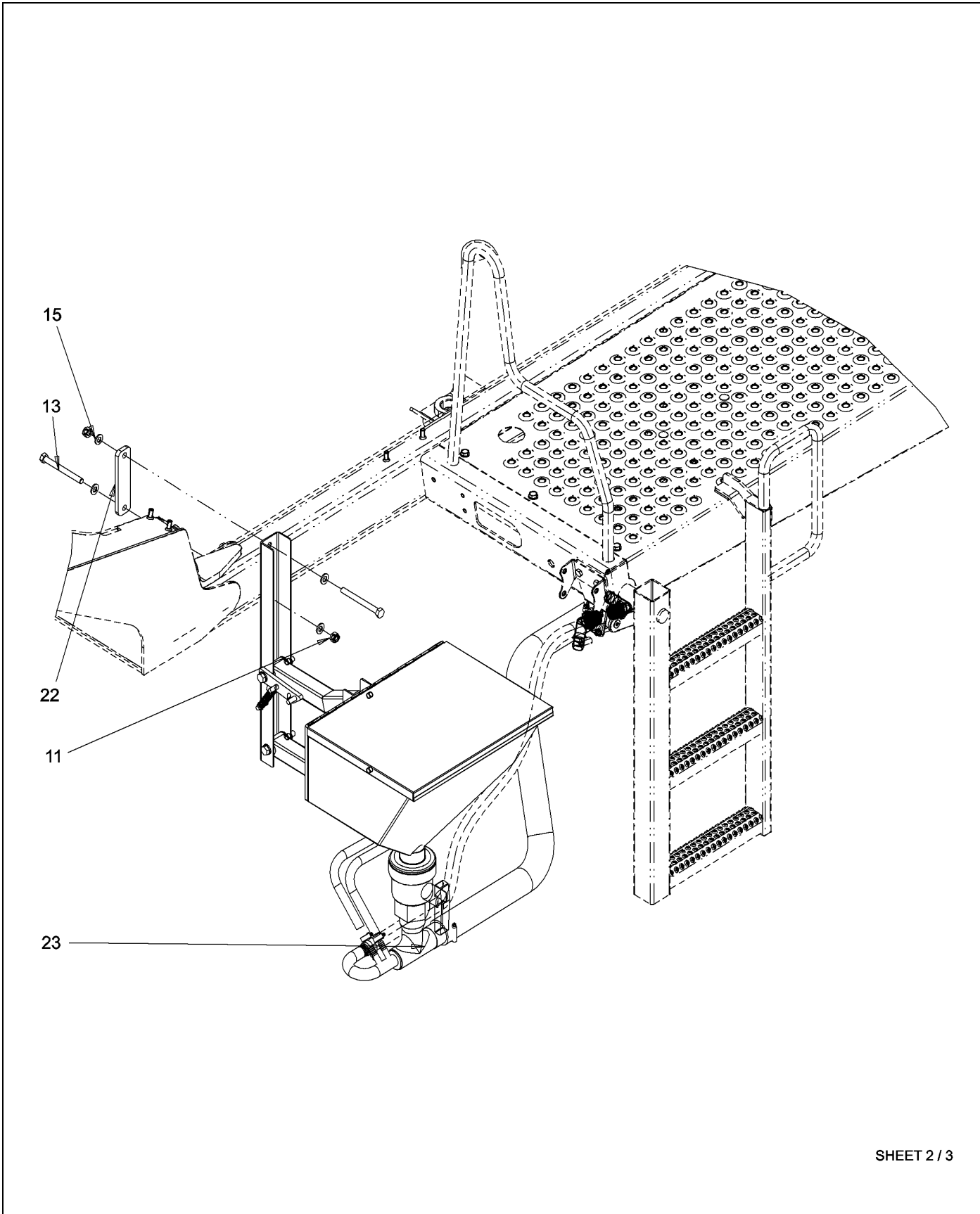
ITEM	PART #	QTY	DESCRIPTION	COMMENTS
1	AG050204	2	VALVE-BALL,0.5NPT,PP,FULL PORT	
2	AG050209	1	VALVE-BALL,2.0NPT,PP,FULL PORT	
3	AG051163	2	ELBOW-ST,90DEG,0.50NPT	
4	AG051176	2	HOSE BARB-0.50MNPTX0.50BARB,PP	
5	AG561366	4	CLAMP .25-.87 HOSE #6 NARROW	
6	AG615979	1	STRIP WLDMT-RETAINER,CHEM EDUC	
7	E100015	9	WASHER-M12,,ISO7089	
8	E100039	4	NUT-M12,8,,ISO7040	
9	E100079	1	RING-RTNG,EXT,10MM,STARLOCK	
10	E100294	3	BOLT-M12X90,8.8,,ISO4014	
11	E100295	1	BOLT-M12X100,8.8,,ISO4014	
12	E105024	4	BOLT-M8X20,,SS,ISO4017	
13	E105318	4	WASHER-M8,SS,ISO7089	
14	E105330	4	WASHER-M8,,SS,DIN127B	
15	E502033	-	HOSE-FUEL/OIL,13MM ID,10BAR [BULK: 1.30 METER]	
16	E510171	1	SPRING-TENSION,2.5X16.5X93MM	
17	E558809	1	BRACKET WLDMT-MTG,CHEM EDUC/CH	
18	E558810	1	BRACKET WLDMT-MTG,CHEM EDUC/TA	
19	E558812	8	BUSHING-CHEM EDUCTOR,NYLON	
20	E558813	1	BRACKET WLDMT-CHEM EDUC,UPPER	
21	E558830	1	BRACKET WLDMT-CHEM EDUC,LOWER	
22	E558917	1	VENTURI WLDMT-CHEM EDUCTOR,SS	
23	E862008	1	BOX WLDMT-CHEM EDUCTOR,SS	



614669-C-01.TIF

# PLUMBING INSTL-CHEM EDUC,SS,SC

ITEM	PART #	QTY	DESCRIPTION	COMMENTS
1	AG000767	1	HOSE BARB-2.00MNPTX2.00BARB,PP	
3	AG050254	1	NIPPLE-PIPE,2.00NPT X6.00IN,PP	
4	AG050689	1	ELBOW-ST,90DEG,2.0NPT,PP	
7	AG054742	1	FITTING-TANK,2.00NPT,PP	
8	AG056146	1	VALVE-BALL,2.0NPT,PP,FULL PORT	
16	E500061	2	CLAMP-HOSE,40-60MM,SS	

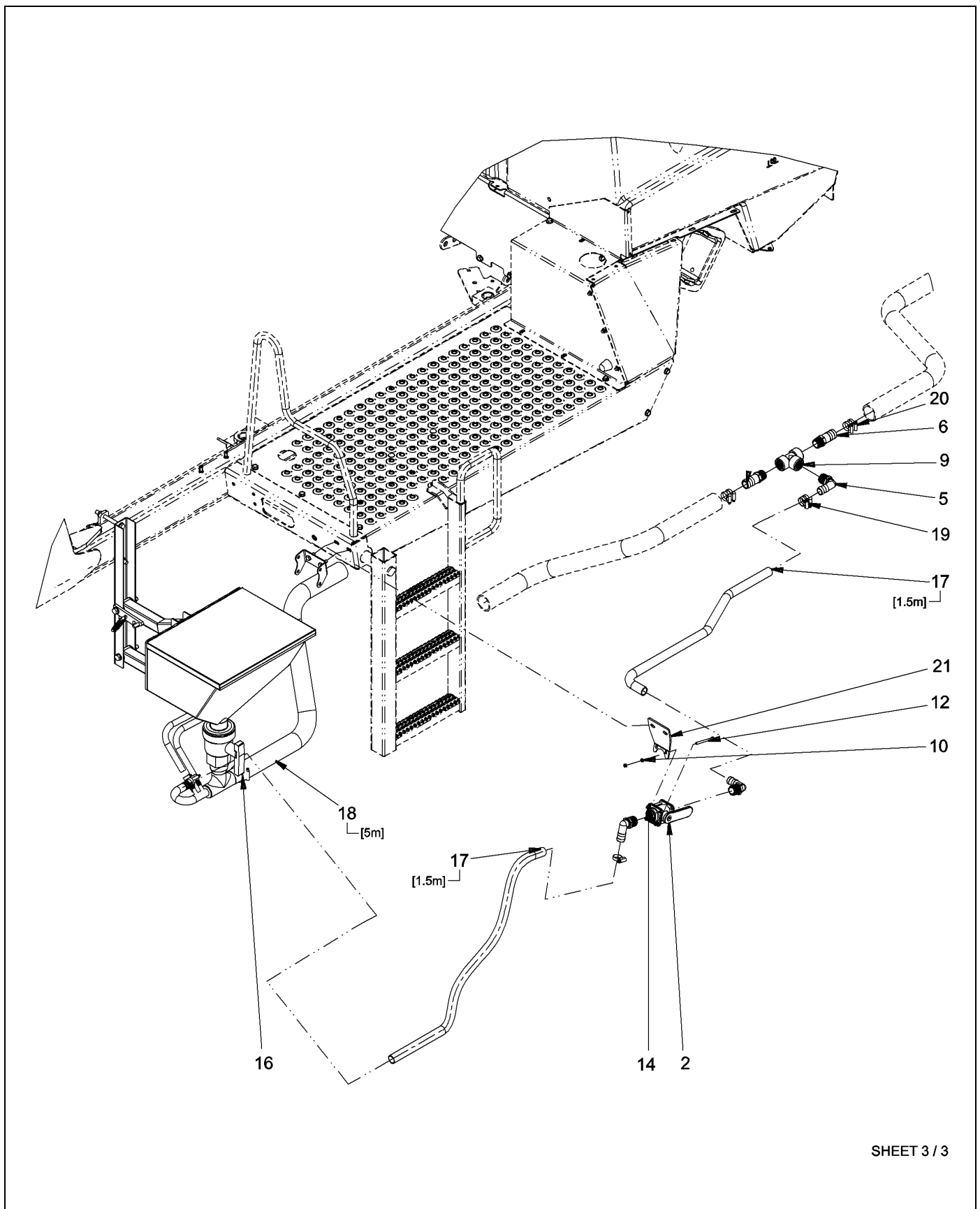


SHEET 2 / 3

614669-C-02.TIF

# PLUMBING INSTL-CHEM EDUC,SS,SC

ITEM	PART #	QTY	DESCRIPTION	COMMENTS
11	E100039	2	NUT-M12,8,,,ISO7040	
13	E100297	2	BOLT-M12X120,8.8,,,ISO4014	
15	E105320	4	WASHER-M12,SS,ISO7089	
22	E558811	1	STRIP-CLAMP,CHEM ICAL EDUCTOR	
23	E558834	1	EDUCTOR ASM-CHEM,SS	SEE PAGE 12-2



SHEET 3 / 3

614669-C-03.TIF

# PLUMBING INSTL-CHEM EDUC,SS,SC

ITEM	PART #	QTY	DESCRIPTION	COMMENTS
2	AG000906	1	VALVE-BALL,1.00NPT,PP	
5	AG051145	3	HOSE BARB-90DEG,1.0MNPTX1.0,PP	
6	AG051183	2	HOSE BARB-1.00MNPTX1.25BARB,PP	
9	AG516405	1	TEE-PIPE,1.00FNPT,PP	
10	E100012	2	WASHER-M6,,ISO7089	
12	E100240	2	BOLT-M6X80,8.8,,ISO4014	
14	E105162	2	NUT-M6,,SS,ISO7040	
16	E500061	2	CLAMP-HOSE,40-60MM,SS	
17	E502056	-	HOSE-SUCT/PRESS,25MM ID,10BAR [BULK: 3.00 METER]	
18	E502073	-	HOSE-SUCT/PRESS,51MM ID,10BAR [BULK: 5.00 METER]	
19	E502321	5	CLAMP-HOSE,30-45MM,SS	
20	E502322	4	RB E502321 CLAMP-HOSE,30-45MM,SS	
21	E558800	1	PLATE-MTG,1.0IN BALL VALVE	

# TABLE OF CONTENTS

# INDICATOR INST-LEVEL

---

INDICATOR INSTL-LEVEL,SC4XXX  
PULLEY INSTL-TANK,SC  
INDICATOR ASM-LEVEL,SC4XXX

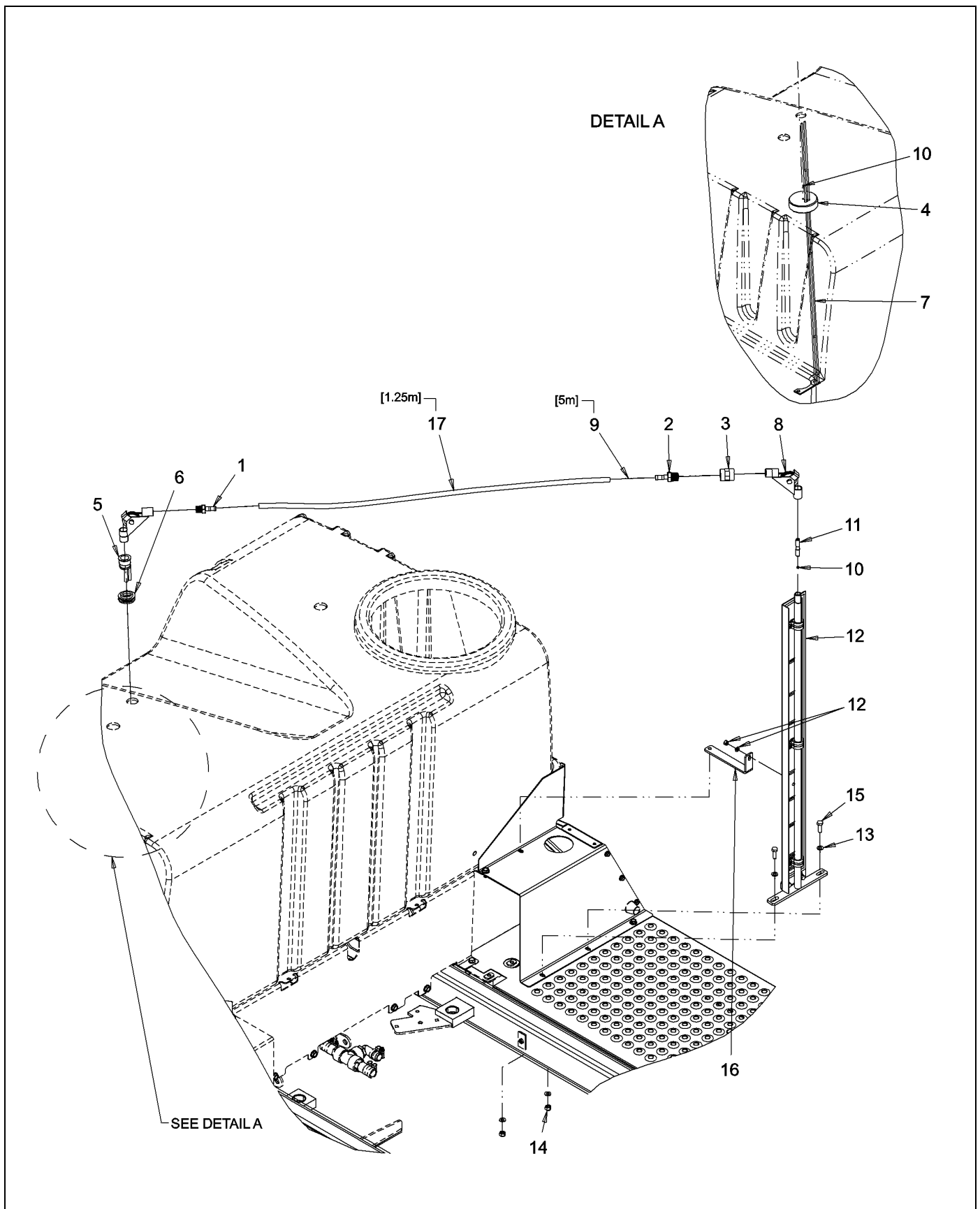
13-1  
13-2  
13-3

---





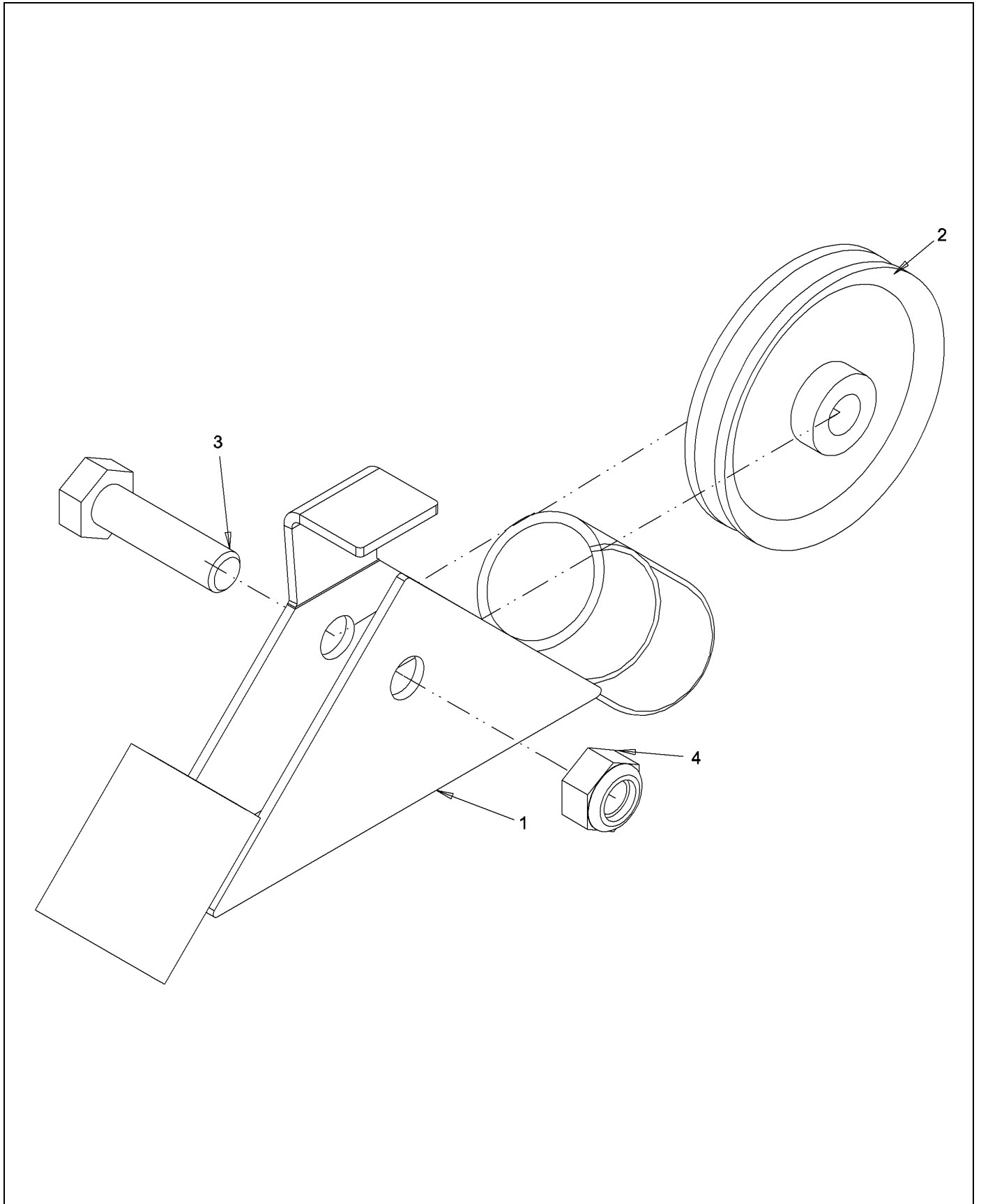
# INDICATOR INSTL-LEVEL,SC4XXX



612061-B-01.TIF

# INDICATOR INSTL-LEVEL,SC4XXX

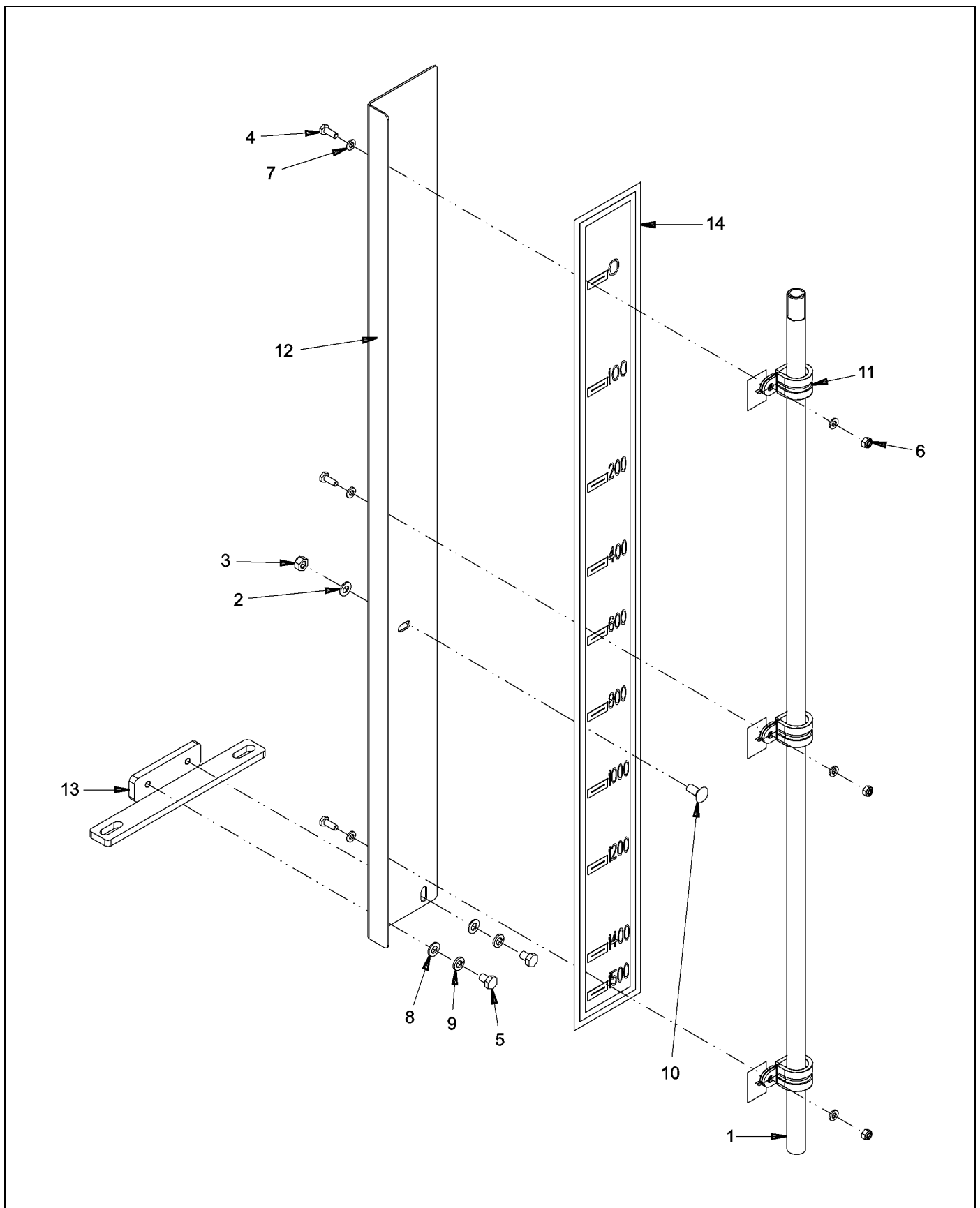
ITEM	PART #	QTY	DESCRIPTION	COMMENTS
1	AG051176	1	HOSE BARB-0.50MNPTX0.50BARB,PP	
2	AG051178	1	HOSE BARB-.75MNPTX.50BARB,PP	
3	AG613613	1	COUPLING-3/4FBSPT	
4	AG614086	1	FLOATER-INUMA	
5	AG614087	1	HOLDER-LEVEL INDICATOR	
6	AG614088	1	SEAL-LEVEL INDICATOR	
7	AG621093	1	BRACKET WLDMT-GUIDE,FLOAT,SC4X	
8	AG623048	2	PULLEY INSTL-TANK,SC	SEE PAGE 13-2
9	AG680430	-	CABLE-STEEL,SS,0.75QMM [BULK: 5.00 METER]	
10	AG680762	2	SLEEVE-CABLE,SS,0.75QMM	
11	AG680766	1	INDICATOR-LEVEL	
12	AG690006	1	INDICATOR ASM-LEVEL,SC4XXX	SEE PAGE 13-3
13	E100014	4	WASHER-M10,,,ISO7089	
14	E100038	2	NUT-M10,8,,,ISO7040	
15	E100131	2	BOLT-M10X30,8.8,,,ISO4017	
16	E558799	1	BRACKET-LEVEL INDICATOR,REAR	
17	E560132	-	HOSE-AIR,15MM OD X1.5MM [BULK: 1.25 METER]	



623048-A-01.TIF

# PULLEY INSTL-TANK,SC

ITEM	PART #	QTY	DESCRIPTION	COMMENTS
1	AG621358	1	BRACKET WLDMT-PULLEY, TOP, TANK	
2	AG623045	1	PULLEY-INDICATOR, LEVEL	
3	E105026	1	BOLT-M8X30,,,SS,ISO4017	
4	E105163	1	NUT-M8,,,SS,ISO7040	



690006-A-01.TIF

# INDICATOR ASM-LEVEL,SC4XXX

ITEM	PART #	QTY	DESCRIPTION	COMMENTS
1	AG611352	1	TUBE-LEVEL INDICATOR,1120MM	
2	E100013	1	WASHER-M8,,ISO7089	
3	E100037	1	NUT-M8,8,,ISO7040	
4	E105002	3	BOLT-M6X16,,SS,ISO4017	
5	E105022	2	BOLT-M8X12,,SS,ISO4017	
6	E105162	3	NUT-M6,,SS,ISO7040	
7	E105316	6	WASHER-M6,SS,ISO7089	
8	E105318	2	WASHER-M8,SS,ISO7089	
9	E105330	2	WASHER-M8,,SS,DIN127B	
10	E105393	1	BOLT-M8X20,8.8,,ISO8677	
11	E502206	3	CLAMP-PIPE,22MM,RUBBER	
12	E558797	1	PLATE-MTG,LEVEL IND TUBE,SC3/4	
13	E558798	1	BRACKET WLDMT-LEVEL IND,LOWER	
14	E720899	1	DECAL-LEVEL INDICATOR,0/1500L	

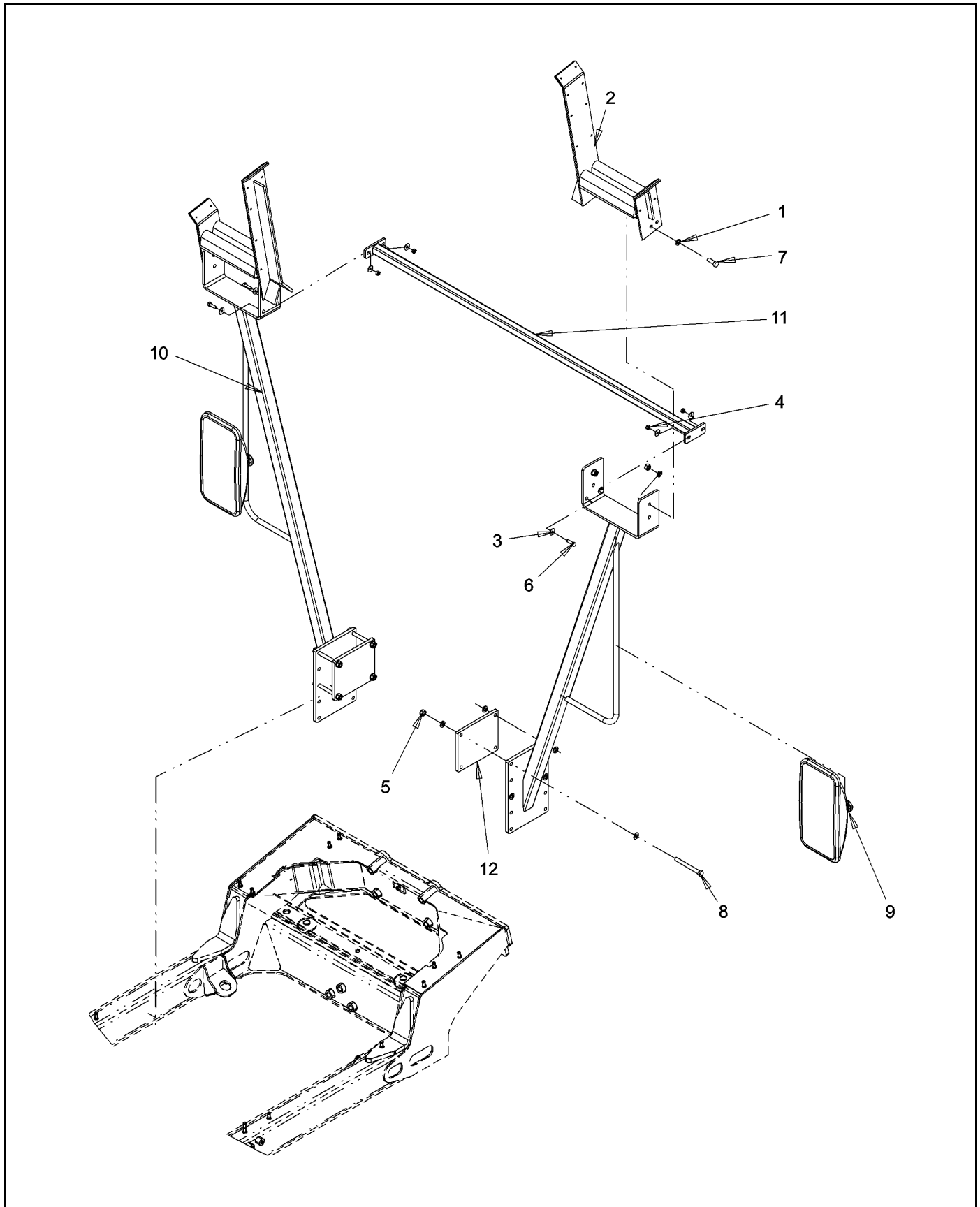
BOOMREST INSTL-ACE,LOW MODEL	14-1
BOOMREST INSTL-ACE,HIGH MODEL	14-2
BRACKET INSTL-BOOMREST,SC4AT	14-3
BRACKET ASM-BOOMREST,SC4XXXAT	14-4







# BOOMREST INSTL-ACE,LOW MODEL

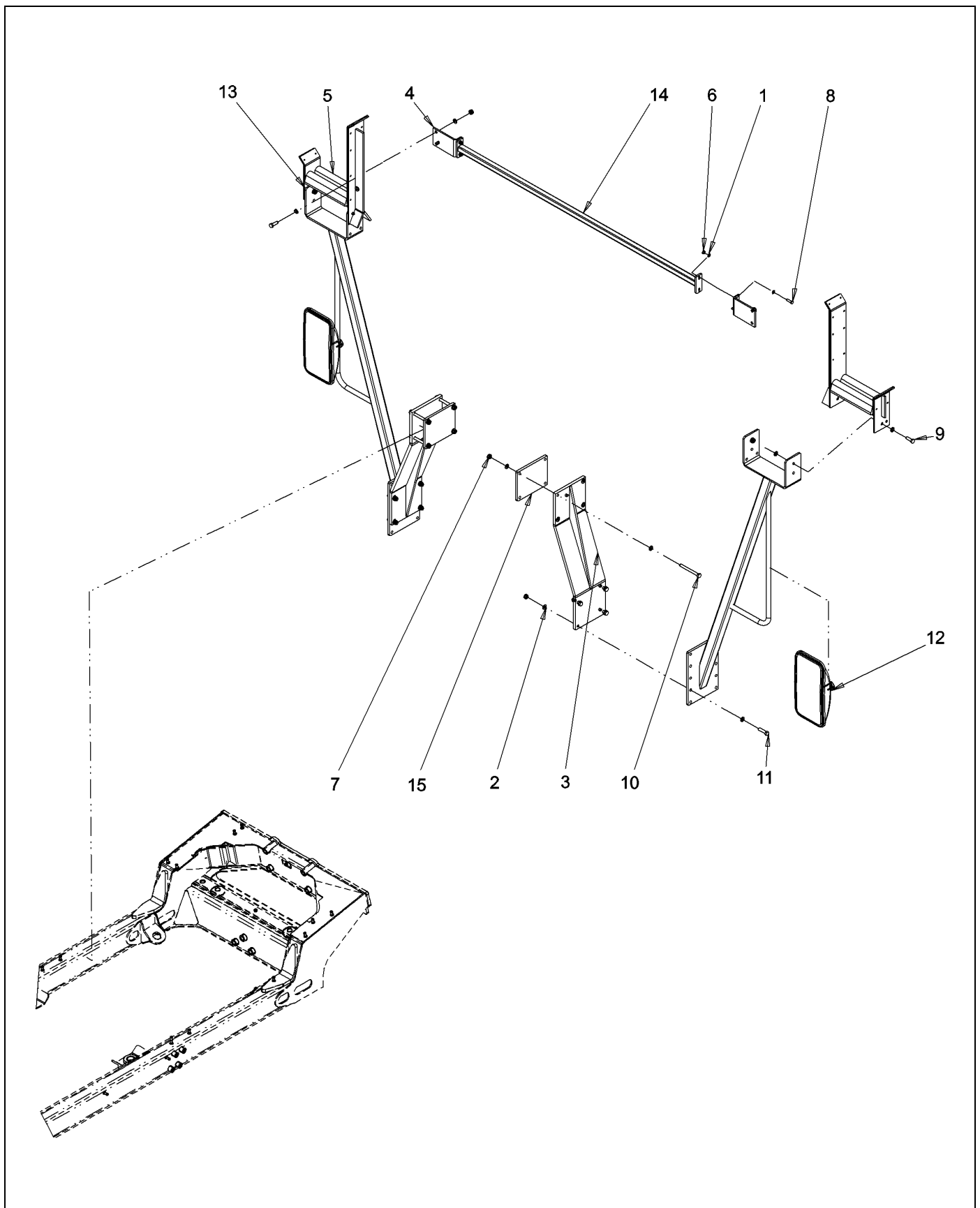


611334-C-01.TIF

# BOOMREST INSTL-ACE,LOW MODEL

ITEM	PART #	QTY	DESCRIPTION	COMMENTS
1	AG562790	24	WASHER-FL,M12,GEN PUR ZN	
2	AG680334	2	BOOMREST ASM-POMMIER	
3	E100025	8	WASHER-M8,,ISO7093	
4	E100037	4	NUT-M8,8,,ISO7040	
5	E100039	12	NUT-M12,8,,ISO7040	
6	E100119	4	BOLT-M8X30,8.8,,ISO4017	
7	E100144	4	BOLT-M12X35,8.8,,ISO4017	
8	E100297	8	BOLT-M12X120,8.8,,ISO4014	
9	E400152	2	MIRROR-PARABOLA,CONN 22MM	
10	E558785	2	BOOMREST WLDMT-DIAGONAL	
11	E558786	1	BRACKET WLDMT-BOOMREST,HORIZ	
12	E558814	2	PLATE-CLAMP,BOOMREST	

# BOOMREST INSTL-ACE,HIGH MODEL

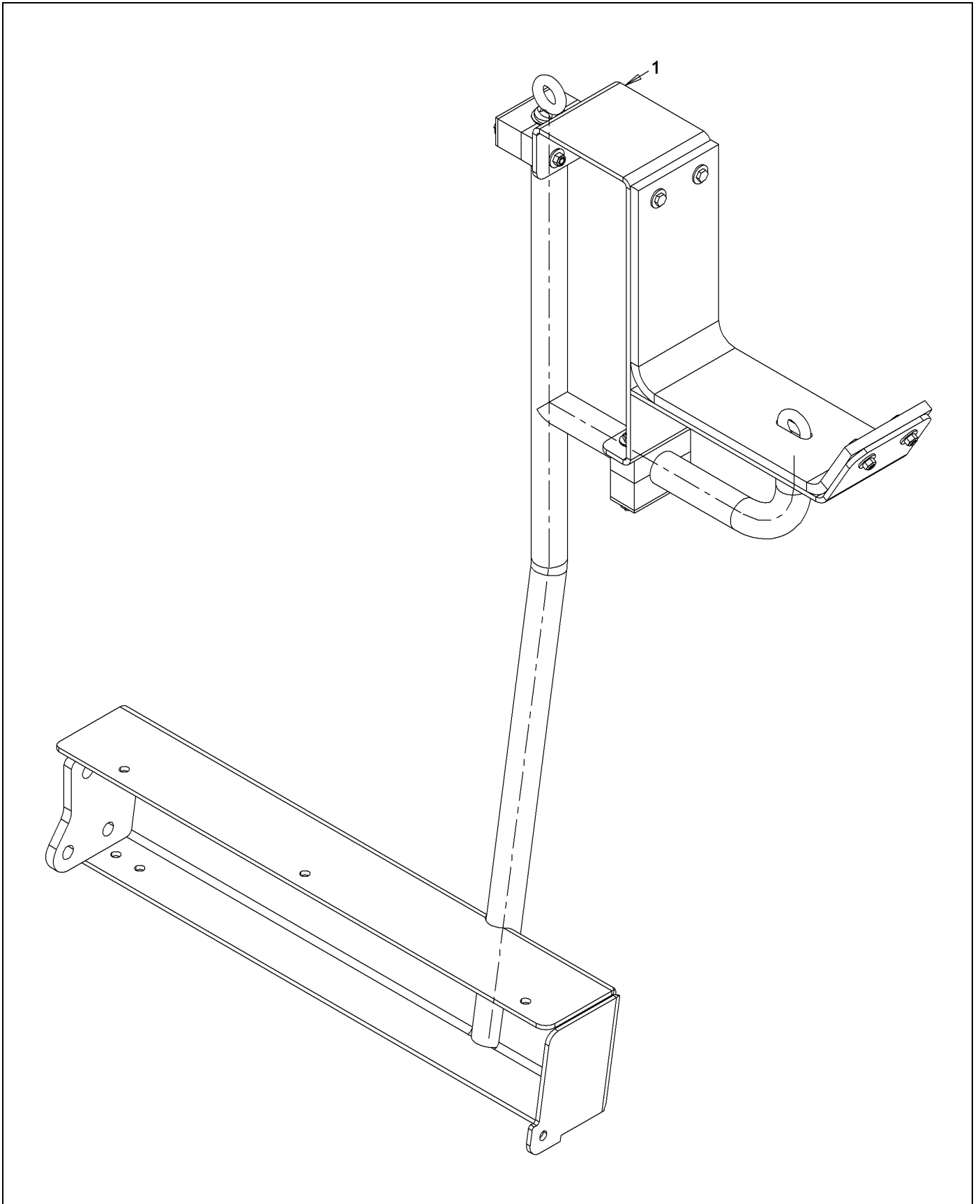


611246-B-01.TIF

# BOOMREST INSTL-ACE,HIGH MODEL

ITEM	PART #	QTY	DESCRIPTION	COMMENTS
1	AG520880	8	WASHER-M8,,ISO70899	
2	AG562790	48	WASHER-FL,M12,GEN PUR ZN	
3	AG611242	2	BRACKET WLDMT-BOOMREST,HIGH M	
4	AG611245	2	BRACKET-BOOMREST,HORIZONTAL	
5	AG680334	2	BOOMREST ASM-POMMIER	
6	CH131-3540	4	NUT-M8X1.25,,ISO7040	
7	E100039	24	NUT-M12,8,,ISO7040	
8	E100119	4	BOLT-M8X30,8.8,,ISO4017	
9	E100144	8	BOLT-M12X35,8.8,,ISO4017	
10	E100297	8	BOLT-M12X120,8.8,,ISO4014	
11	E105084	8	BOLT-M12X50,,SS,ISO4017	
12	E400152	2	MIRROR-PARABOLA,CONN 22MM	
13	E558785	2	BOOMREST WLDMT-DIAGONAL	
14	E558786	1	BRACKET WLDMT-BOOMREST,HORIZ	
15	E558814	2	PLATE-CLAMP,BOOMREST	

# BRACKET INSTL-BOOMREST,SC4AT



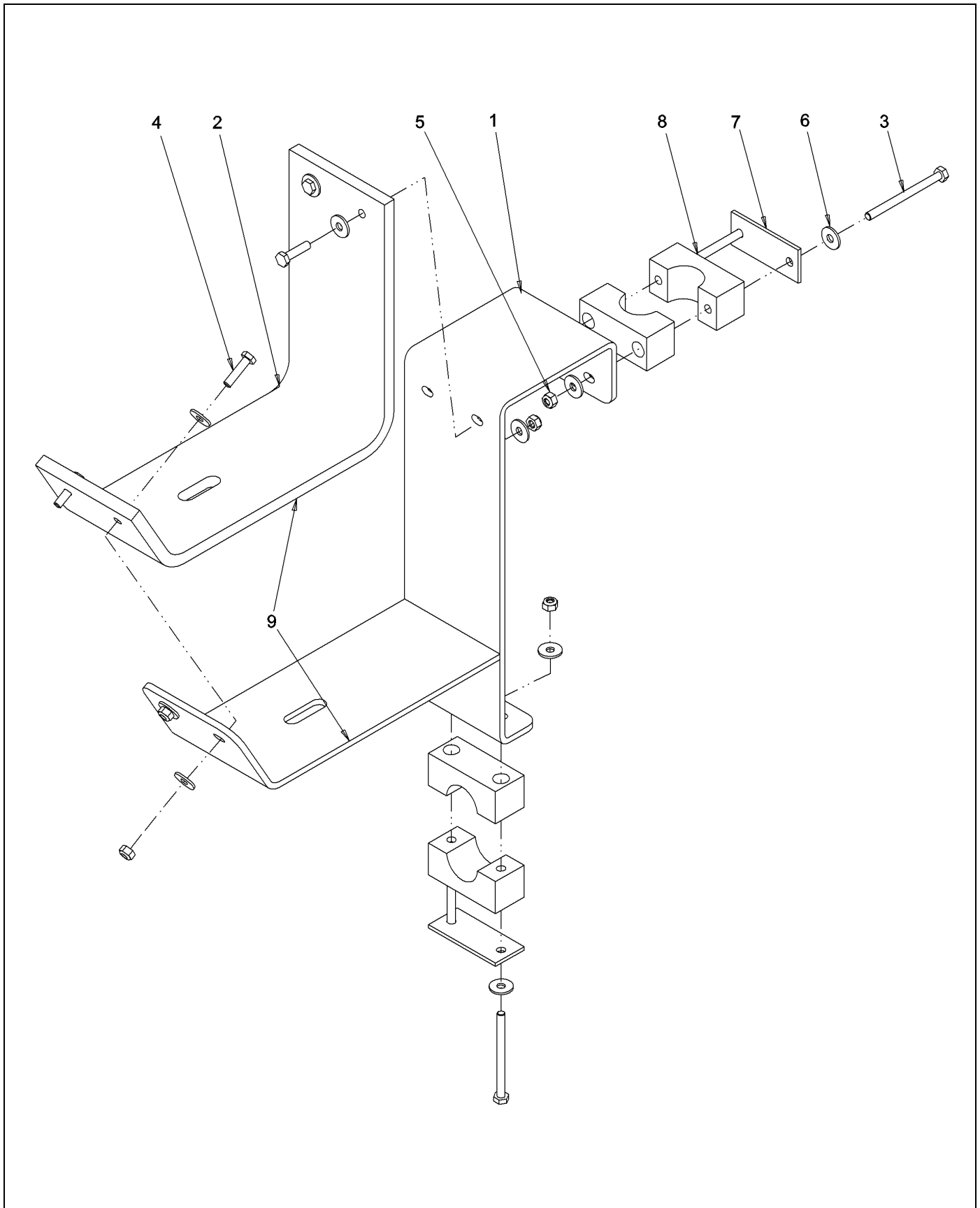
624169-A-01.TIF

# BRACKET INSTL-BOOMREST,SC4AT

---

ITEM	PART #	QTY	DESCRIPTION	COMMENTS
1	AG624161	1	BRACKET ASM-BOOMREST,SC4xxxAT	SEE PAGE 14-4

# BRACKET ASM-BOOMREST,SC4XXXAT



624161-A-01.TIF



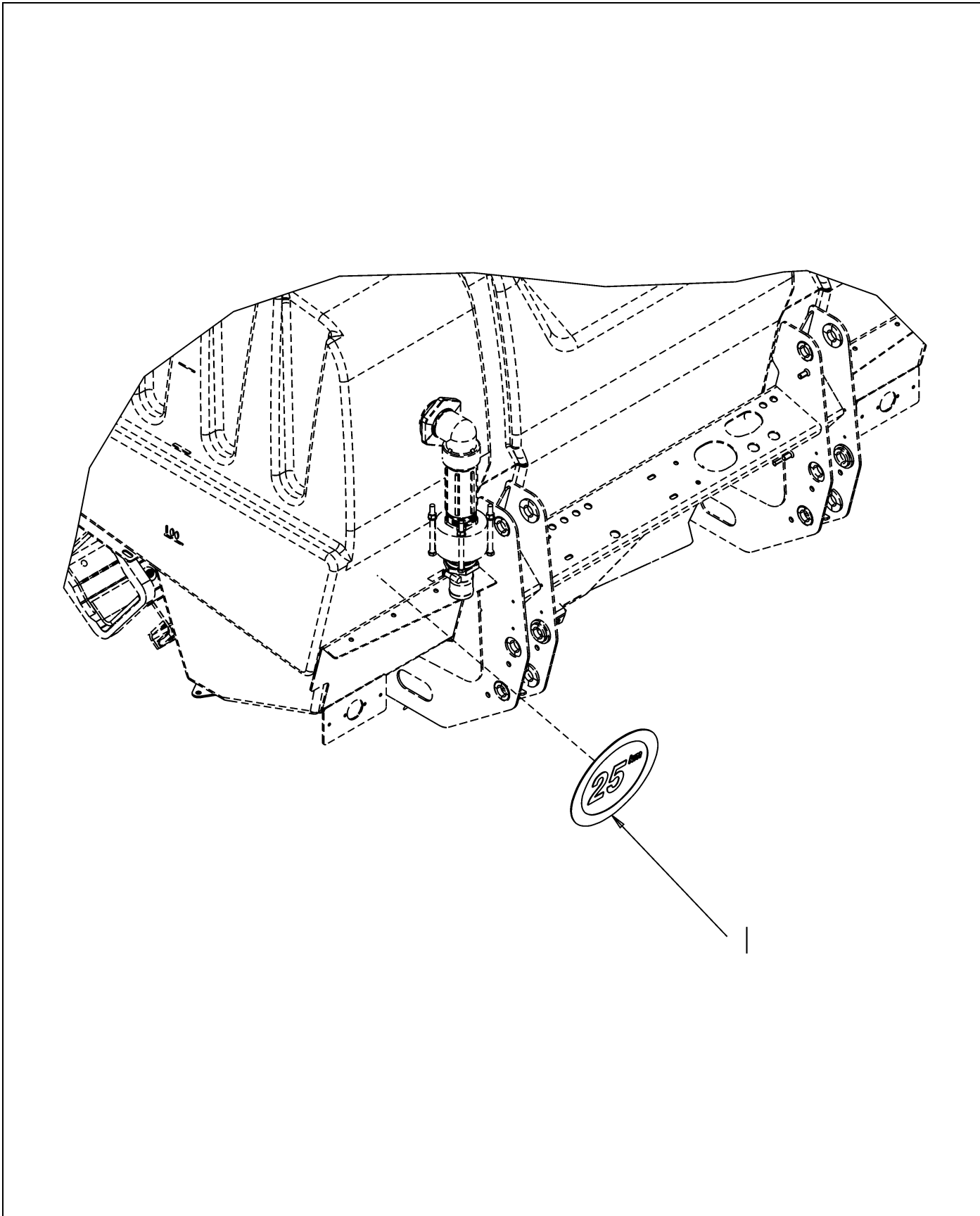
# BRACKET ASM-BOOMREST,SC4XXXAT

ITEM	PART #	QTY	DESCRIPTION	COMMENTS
1	AG624159	1	BRACKET WLDMT-BOOMREST,SC4AT	
2	AG624160	1	BUMPER-BOOMREST,SC4xxxAT,SBR10	
3	E100239	4	BOLT-M6X75,8.8,,,ISO4014	
4	E105005	4	BOLT-M6X25,,,SS,ISO4017	
5	E105162	8	NUT-M6,,,SS,ISO7040	
6	E105471	16	WASHER-M6X18X1.6,SS,ISO7093	
7	E220058	2	PLATE-COVER,CLAMP,SINGLE,32	
8	E220087	4	CLAMP-SINGLE,32,RBR (2 PIECES)	
9	E720061	1	GLUE-COVERING	

DECAL INSTL-25KM/H,NL,SC	15-1
DECAL INSTL-25KM/H,SC	15-2
DECAL INSTL-SC3X50/4X50,DU	15-3
DECAL INSTL-SC3X50/4X50,DU	15-4
DECAL INSTL-SC3X50/4X50,DU	15-5
DECAL INSTL-SC3X50/4X50,DU	15-6
DECAL INSTL-SC3X50/4X50,DU	15-7
DECAL INSTL-SC3X50/4X50,DU	15-8
DECAL INSTL-SC3X50/4X50,DU	15-9
DECAL INSTL-SC3X50/4X50,DU	15-10
DECAL INSTL-SC3X50/4X50,FR	15-11
DECAL INSTL-SC3X50/4X50,FR	15-12
DECAL INSTL-SC3X50/4X50,FR	15-13
DECAL INSTL-SC3X50/4X50,FR	15-14
DECAL INSTL-SC3X50/4X50,FR	15-15
DECAL INSTL-SC3X50/4X50,FR	15-16
DECAL INSTL-SC3X50/4X50,FR	15-17
DECAL INSTL-SC3X50/4X50,FR	15-18
DECAL INSTL-SC4X55,INT	15-19
DECAL INSTL-SC4X55,INT	15-20
DECAL INSTL-SC4X55,INT	15-21
DECAL INSTL-SC4X55,INT	15-22
DECAL INSTL-SC4X55,INT	15-23
DECAL INSTL-SC4X55,INT	15-24
DECAL INSTL-SC4X55,INT	15-25
DECAL INSTL-SC4X55,INT	15-26
DECAL INSTL-SC4X55,INT	15-27
DECAL INSTL-SC4X55,INT	15-28
DECAL INSTL-SC4X55,INT	15-29
DECAL INSTL-SC4X55,INT	15-30
DECAL INSTL-SC4X55,INT	15-31
DECAL INSTL-CAB,SC4X55,D	15-32
DECAL INSTL-CAB,SC4X60,FR	15-33

---



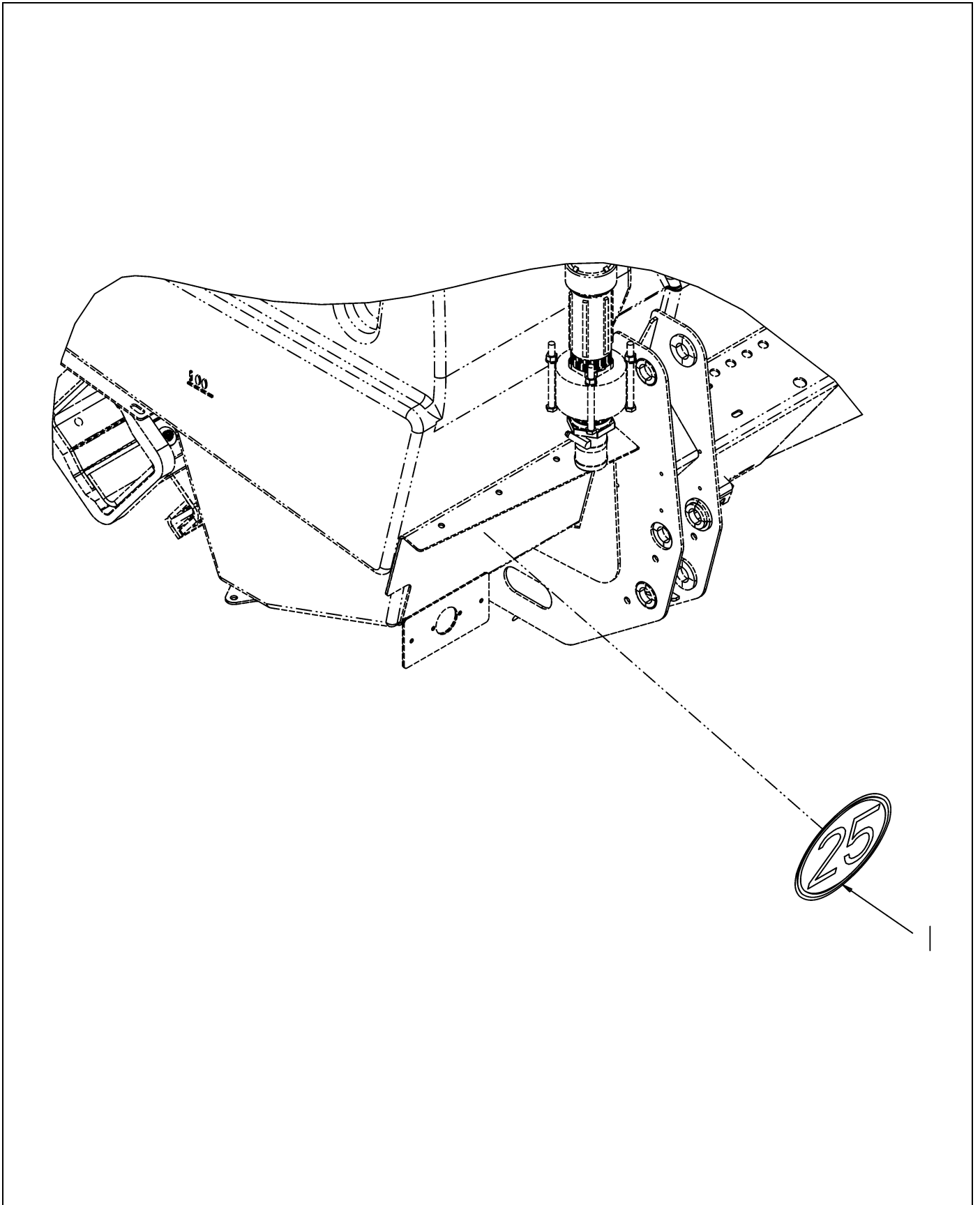


612102-A-P271-1.TIF

# DECAL INSTL-25KM/H,NL,SC

---

ITEM	PART #	QTY	DESCRIPTION	COMMENTS
1	E720504	1	DECAL-25KM/H,NL	



612978-A-P271-1.TIF

# DECAL INSTL-25KM/H,SC

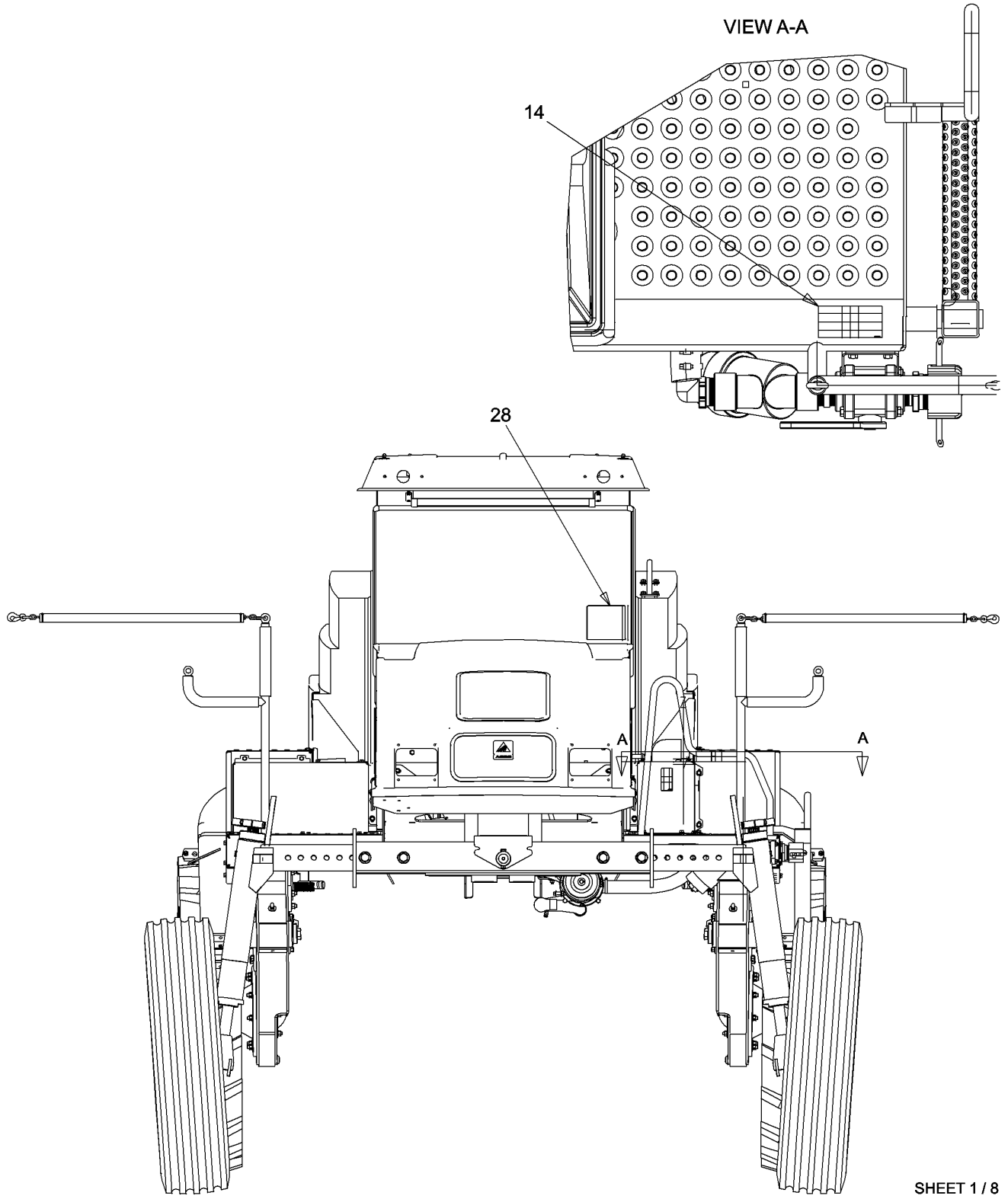
---

ITEM	PART #	QTY	DESCRIPTION	COMMENTS
1	E400110	1	DECAL-25KM/H,GER	

VIEW A-A

14

28



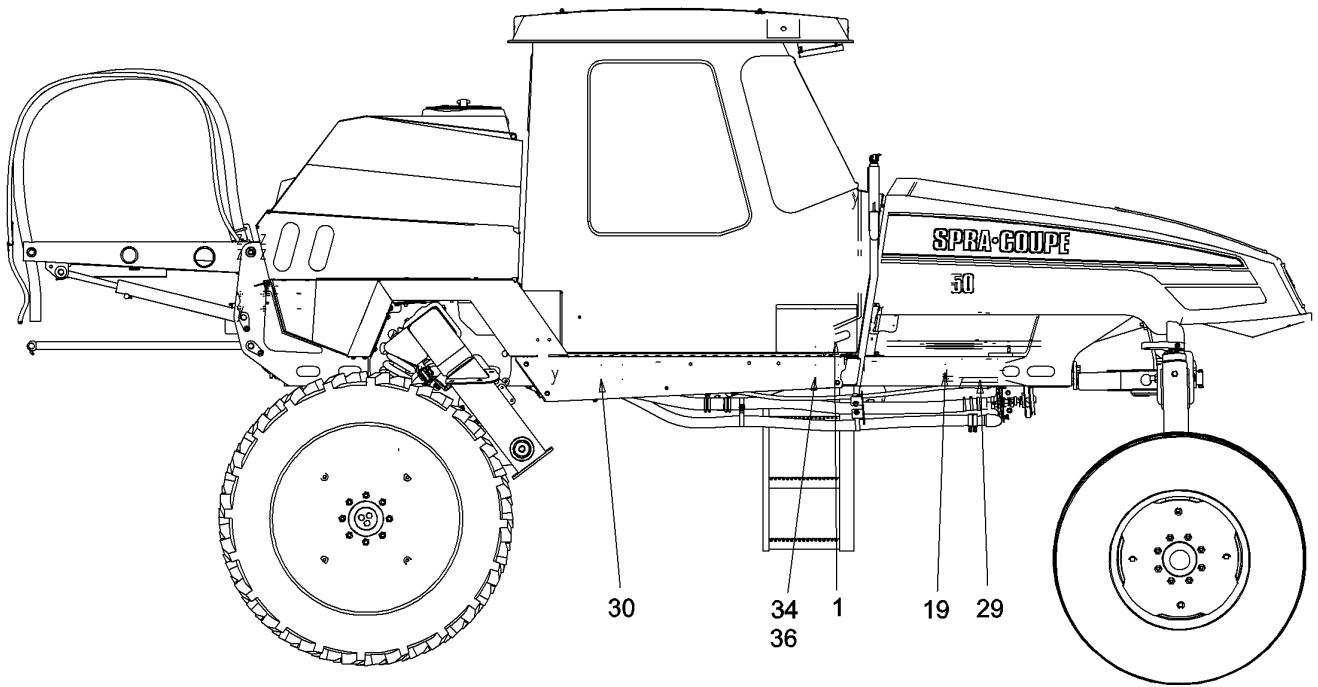
SHEET 1 / 8

E720793-B-01.TIF



# DECAL INSTL-SC3X50/4X50,DU

ITEM	PART #	QTY	DESCRIPTION	COMMENTS
14	6625602DU	1	DECAL-BOOM WARNING,GER	
28	6804165DU	1	DECAL-STATIC,GER	



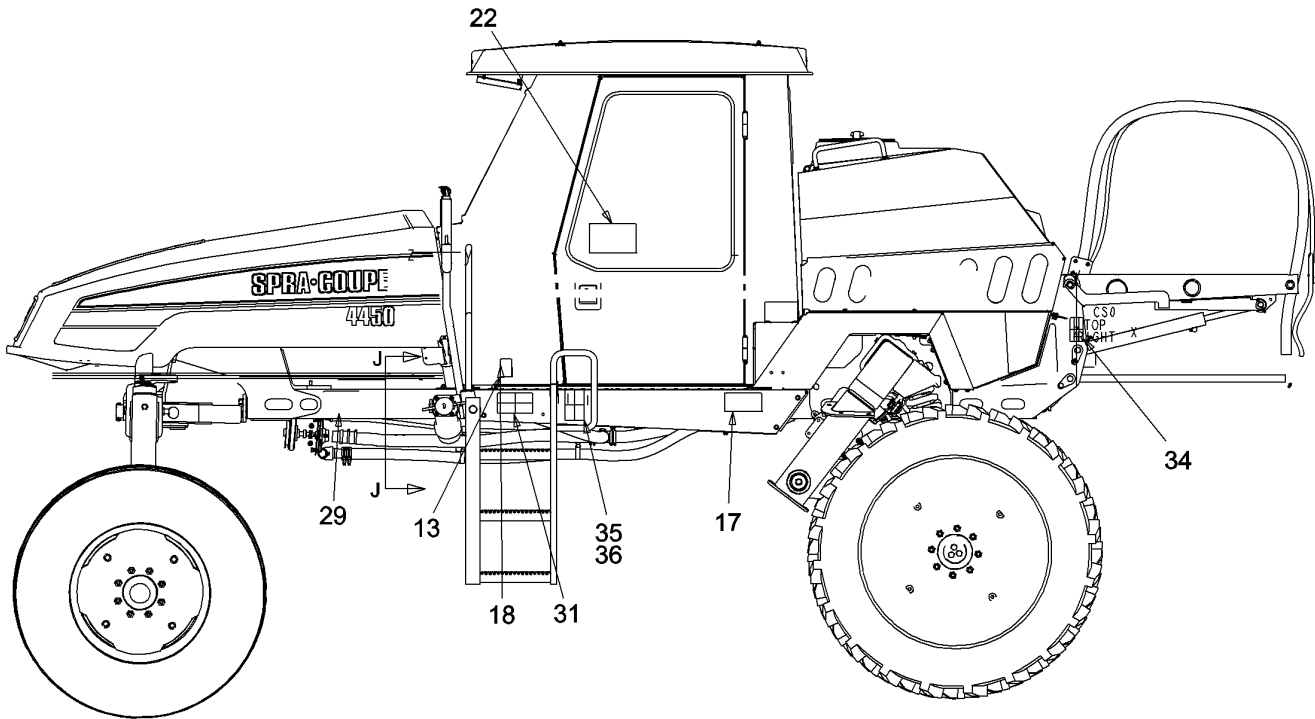
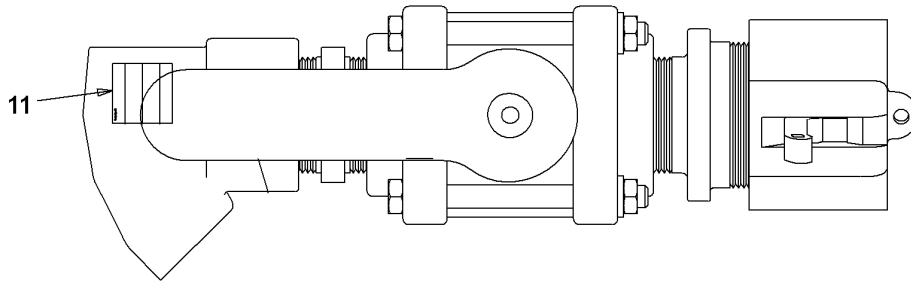
SHEET 2 / 8

E720793-B-02.TIF

# DECAL INSTL-SC3X50/4X50,DU

ITEM	PART #	QTY	DESCRIPTION	COMMENTS
1	50955-DU	1	DECAL-WARNBATTERYEXPL,7X50,GE	
19	6628550DU	1	DECAL-FUEL FILTER,GER	
29	71379132DU	2	DECAL-WARNING,BELT,FAN,GER	
30	72528122DU	1	DECAL-WARNING,HOT SURFACE,GE	
34	WR37164-DU	2	DECAL-WARNINGFLUIDPRES,7X50,GE	
36	WR37257-DU	1	DECAL-WARNING,CHEMICAL,4X50,GE	

VIEW J-J

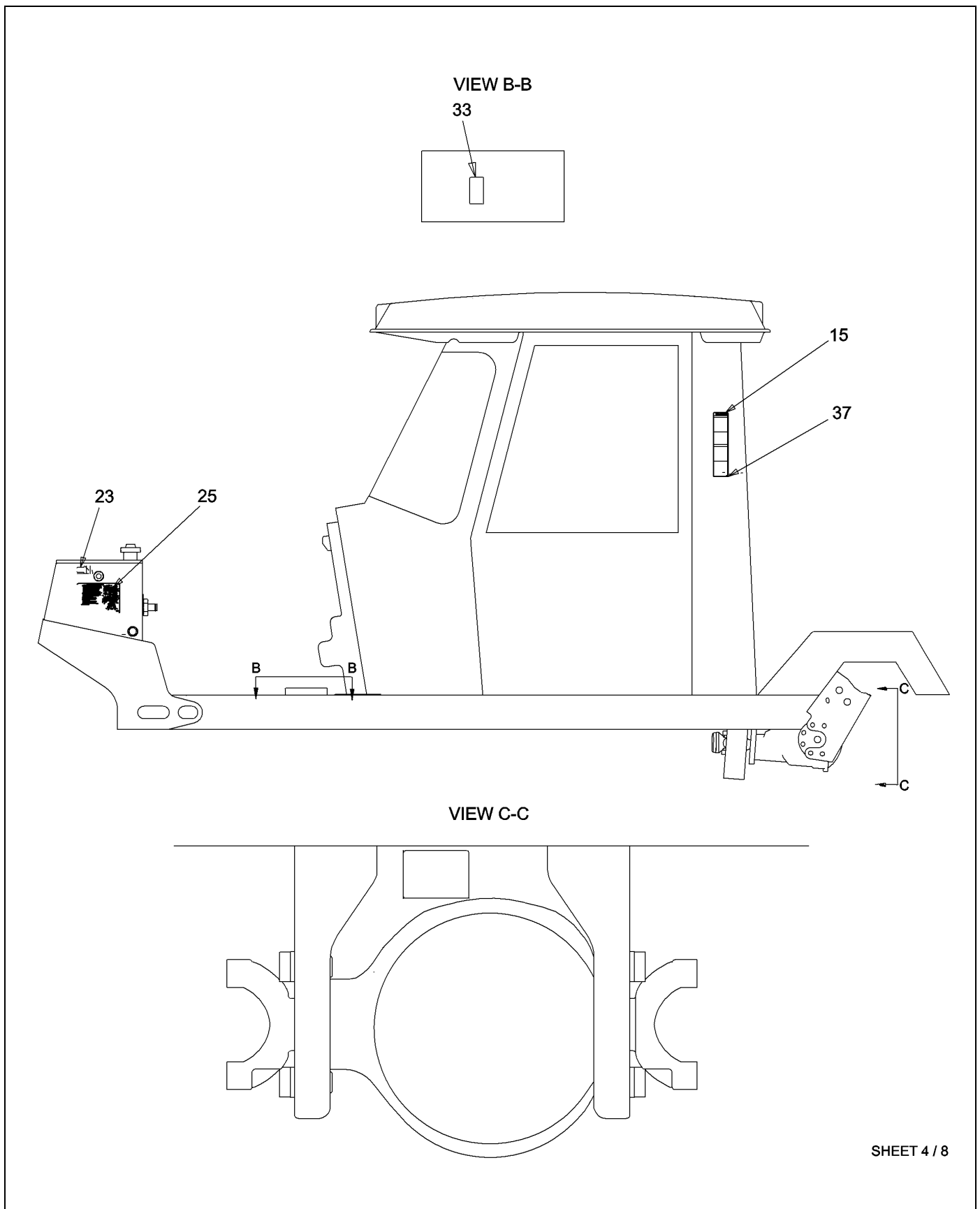


SHEET 3 / 8

E720793-B-03.TIF

# DECAL INSTL-SC3X50/4X50,DU

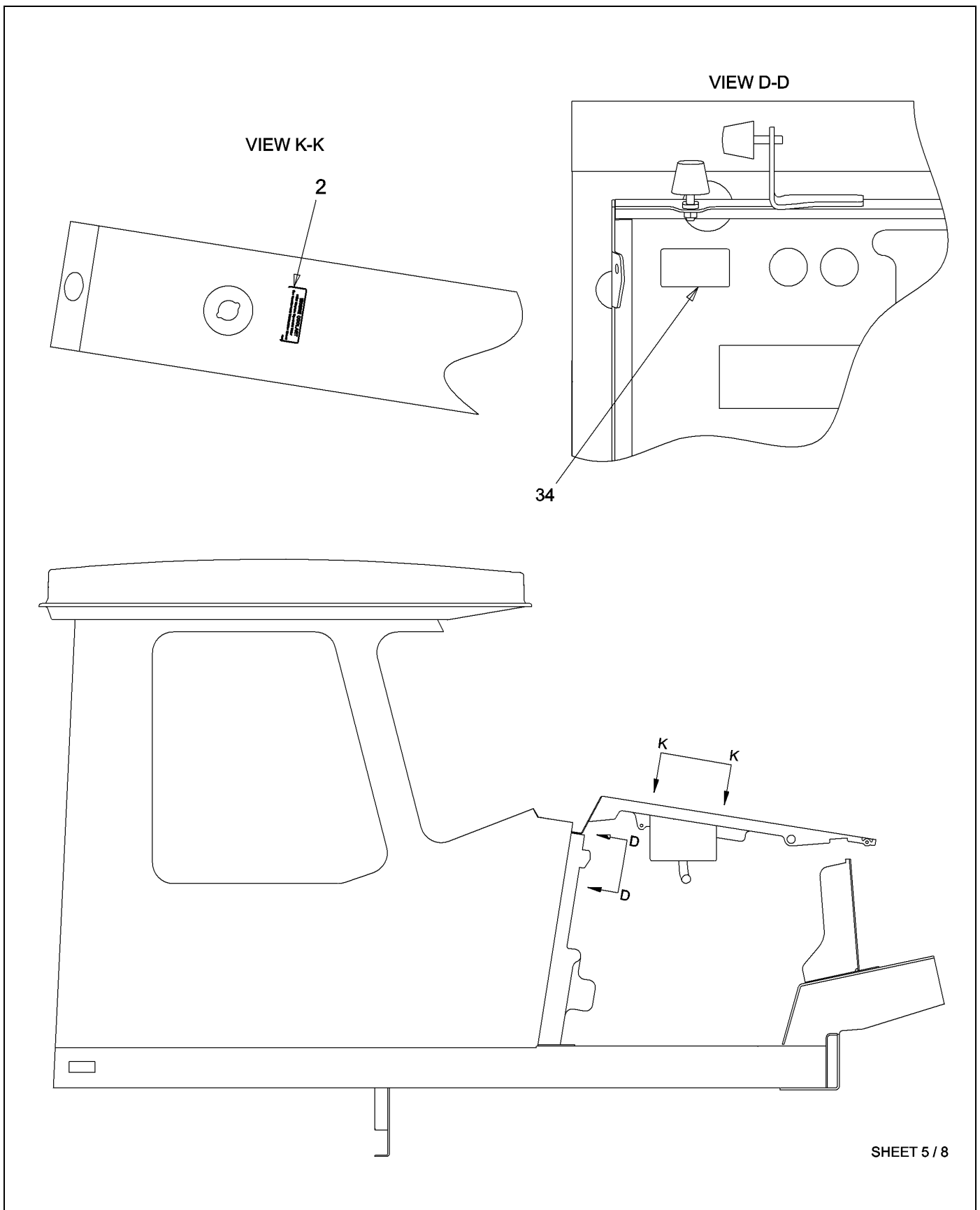
ITEM	PART #	QTY	DESCRIPTION	COMMENTS
11	6591956DU	1	DECAL-TANK FILL,GER	
13	6597958DU	1	DECAL-BOOM,MANUAL,GER	
17	6627020DU	1	DECAL-SPIGOT,GER	
18	6628322DU	1	DECAL-WATER,GER	
22	6802082DU	1	DECAL-WASHING,GER	
29	71379132DU	2	DECAL-WARNING,BELT,FAN,GER	
31	WR37156-DU	1	DECAL-WARNINGCHEMPROD,4X50,GE	
34	WR37164-DU	2	DECAL-WARNINGFLUIDPRES,7X50,GE	
35	WR37166-DU	1	DECAL-WARNING,FALL OFF,4X50,GE	
36	WR37257-DU	1	DECAL-WARNING,CHEMICAL,4X50,GE	



E720793-B-04.TIF

# DECAL INSTL-SC3X50/4X50,DU

ITEM	PART #	QTY	DESCRIPTION	COMMENTS
15	6625605DU	1	DECAL-WARNING,GER	
23	6802470DU	1	DECAL-FILL,HYD OIL,GER	
25	6803310DU	1	DECAL-SERVICE,DU	
33	WR37159-DU	1	DECAL-DANGER,BY-PASS,4X50,GE	
37	WR50961-DU	1	DECAL-DANGERWEARPROTEC,7X50,GE	



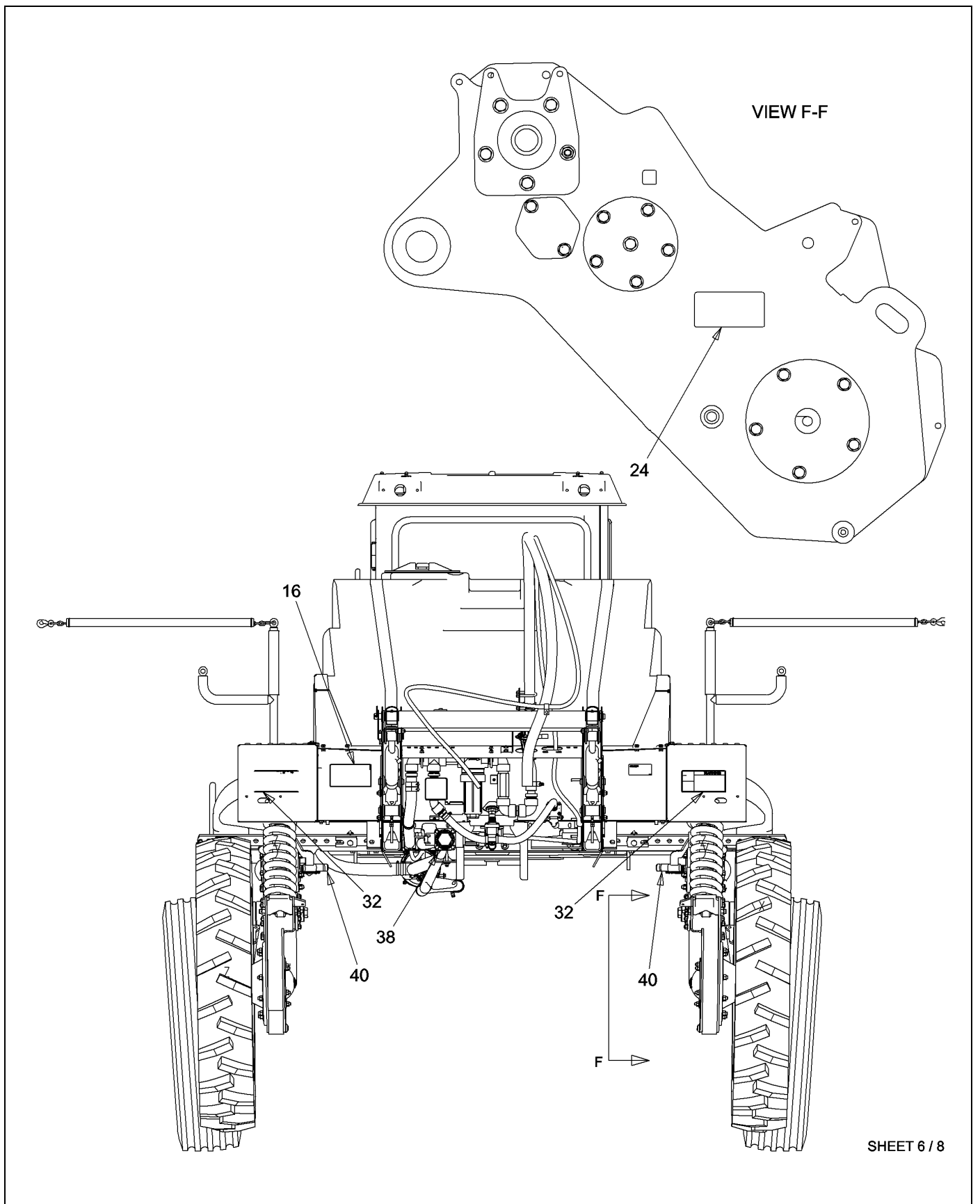
SHEET 5 / 8

E720793-B-05.TIF



# DECAL INSTL-SC3X50/4X50,DU

ITEM	PART #	QTY	DESCRIPTION	COMMENTS
2	55545-DU	1	DECAL-COOLANT,PG,GER	
34	WR37164-DU	2	DECAL-WARNINGFLUIDPRES,7X50,GE	

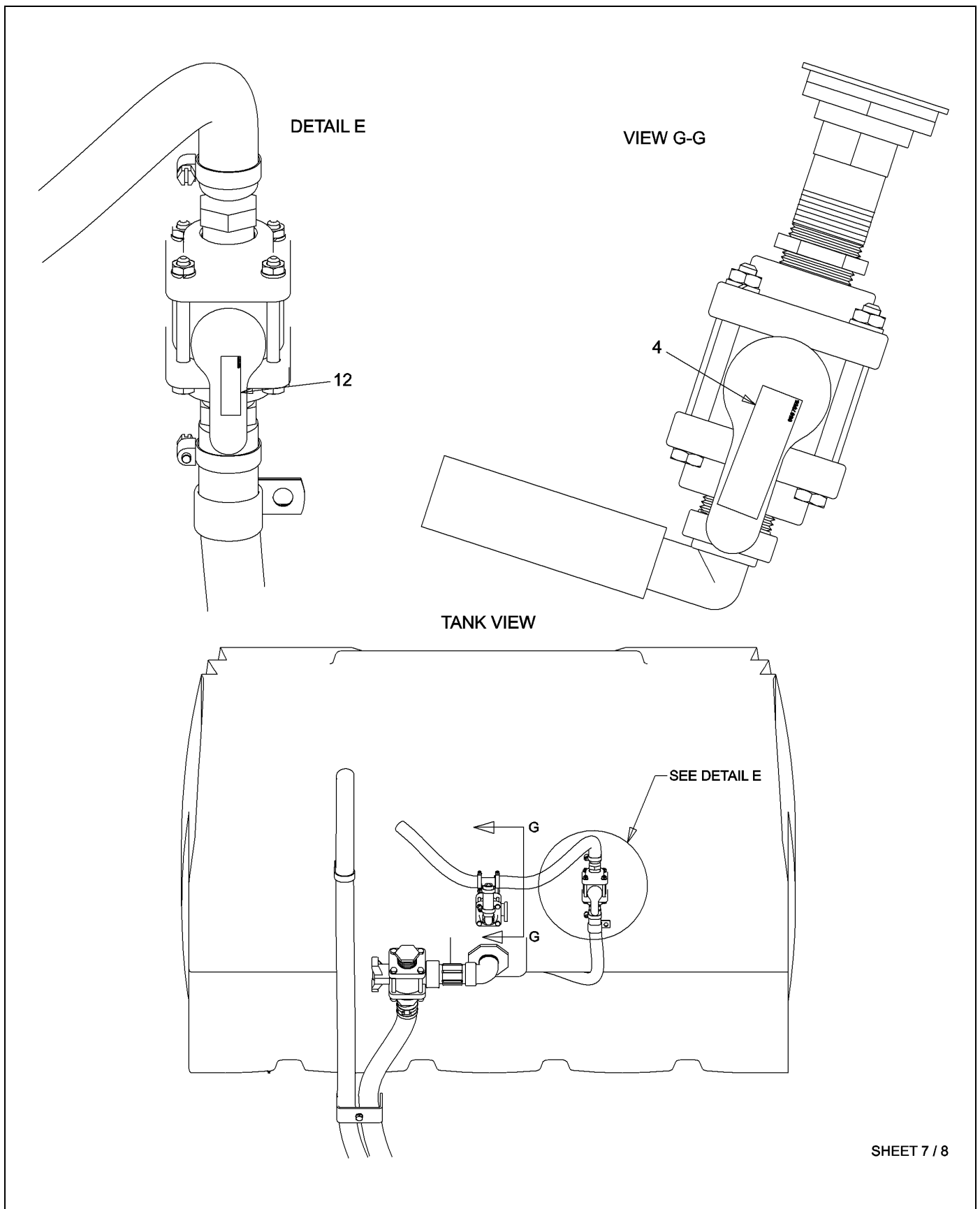


SHEET 6 / 8

E720793-B-06.TIF

# DECAL INSTL-SC3X50/4X50,DU

ITEM	PART #	QTY	DESCRIPTION	COMMENTS
16	6626787DU	1	DECAL-LOCK,BOOM,GER	
24	6802477DU	1	DECAL-CHAINCASE OIL,GER	
32	WR37158-DU	1	DECAL-WARNINGAVOIDEATH,7X50,GE	
38	WR55578-DU	1	DECAL-FILTERS,SPRA COUPE,GE	
40	WV22222-DU	1	DECAL-DRIVESHAFT,GER	

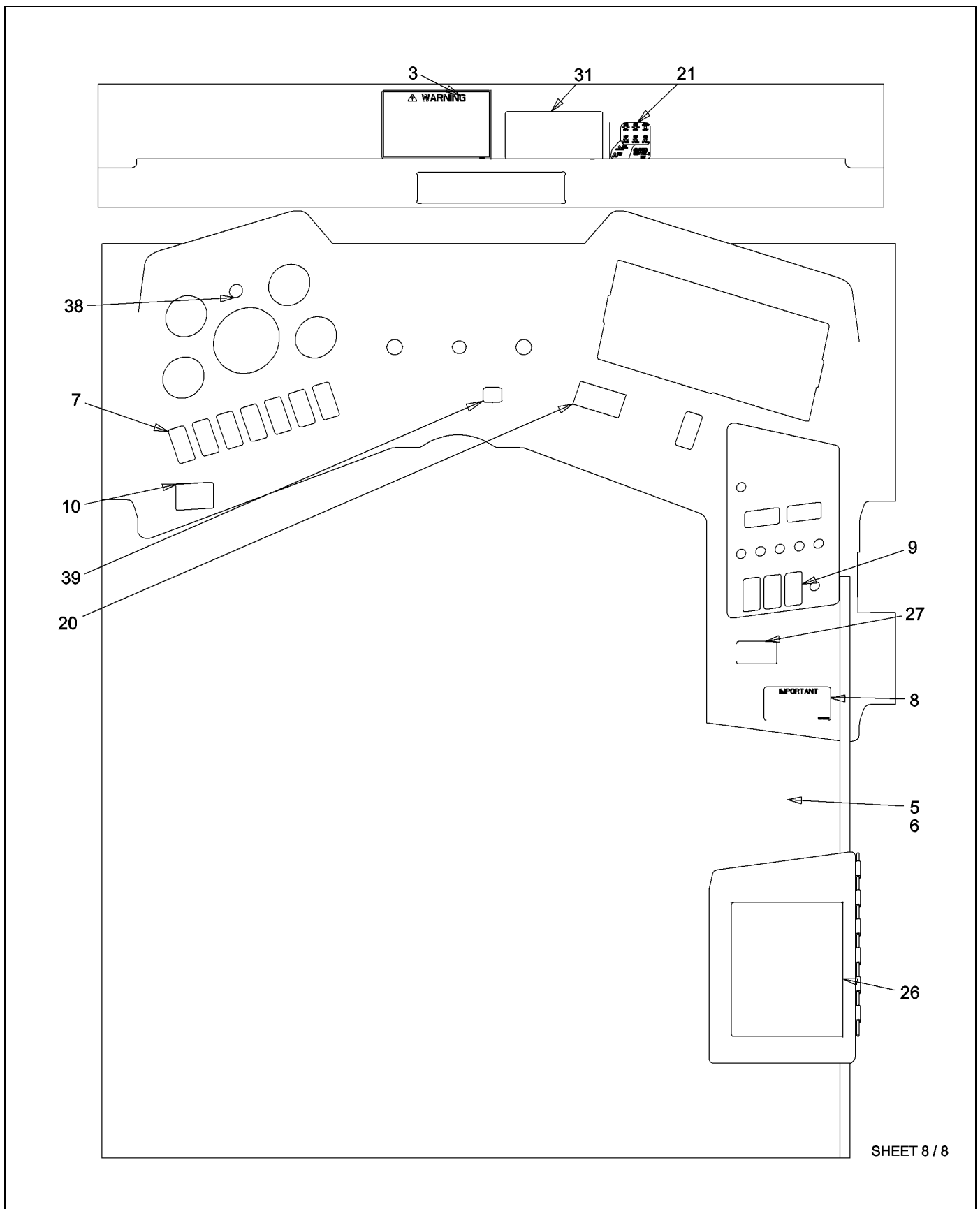


SHEET 7 / 8

E720793-B-07.TIF

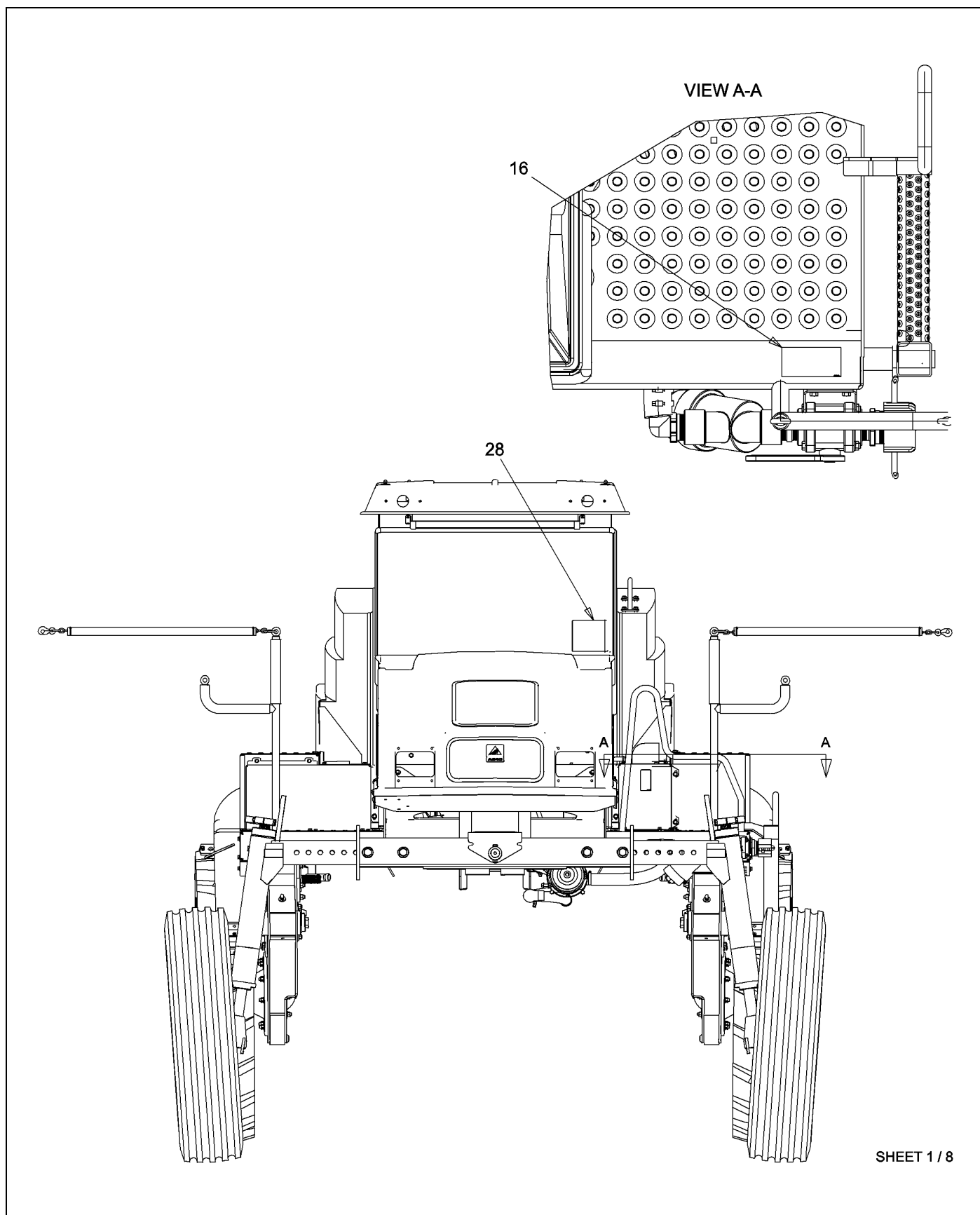
# DECAL INSTL-SC3X50/4X50,DU

ITEM	PART #	QTY	DESCRIPTION	COMMENTS
4	AG611199	1	DECAL-LOW AGIT,GER	
12	6597954DU	1	DECAL-UP AGIT,GER	



# DECAL INSTL-SC3X50/4X50,DU

ITEM	PART #	QTY	DESCRIPTION	COMMENTS
3	55547-DU	1	DECAL-WARNING,MULTI,GER	
5	AG611203	1	DECAL-GEARHANDLE,SC	
6	AG611214	1	DECAL-SPRAY PACK CONTROLLER,GE	
7	AG611216	1	DECAL-ROCKER SWITCH,GER	
8	AG611219	1	DECAL-WARNING LIGHT,GER	
9	6529638DU	1	DECAL-ENGINE,IDLE DOWN,GER	
10	6568971DU	1	DECAL-COOLANT LEVEL,GER	
20	6668879DU	1	DECAL-WARNING,REV.ALARM,GER	
21	6801418DU	1	DECAL-HAND THROTTLE,GER	
26	6804059DU	1	DECAL-FUSE/RELAY,GER	
27	6804111DU	1	DECAL-TRANS FILL,GER	
31	WR37156-DU	1	DECAL-WARNINGCHEMPROD,4X50,GE	
38	WR55578-DU	1	DECAL-FILTERS,SPRA COUPE,GE	
39	WR55790-DU	1	DECAL-ENGINE PREHEAT,GE	



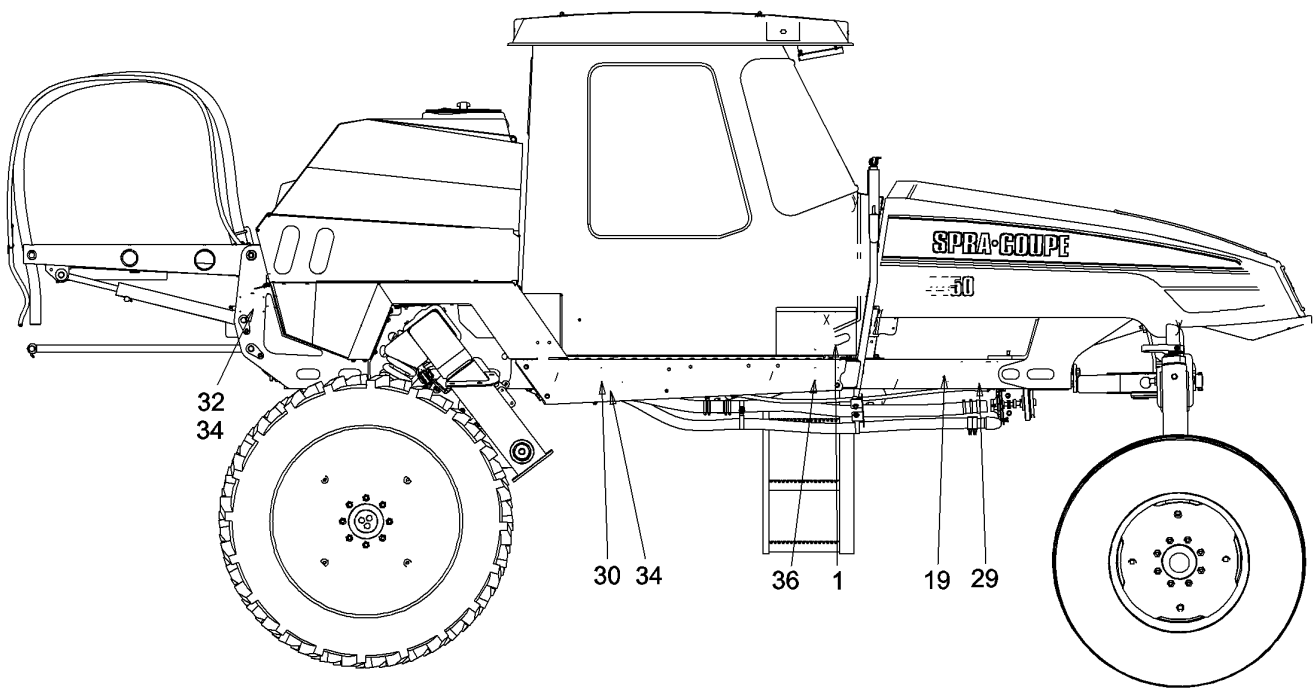
SHEET 1 / 8

E720792-B-01.TIF



# DECAL INSTL-SC3X50/4X50,FR

ITEM	PART #	QTY	DESCRIPTION	COMMENTS
16	6628299FR	1	DECAL-BOOM,MANUAL,FR	
28	6804165FR	1	DECAL-STATIC,FR	



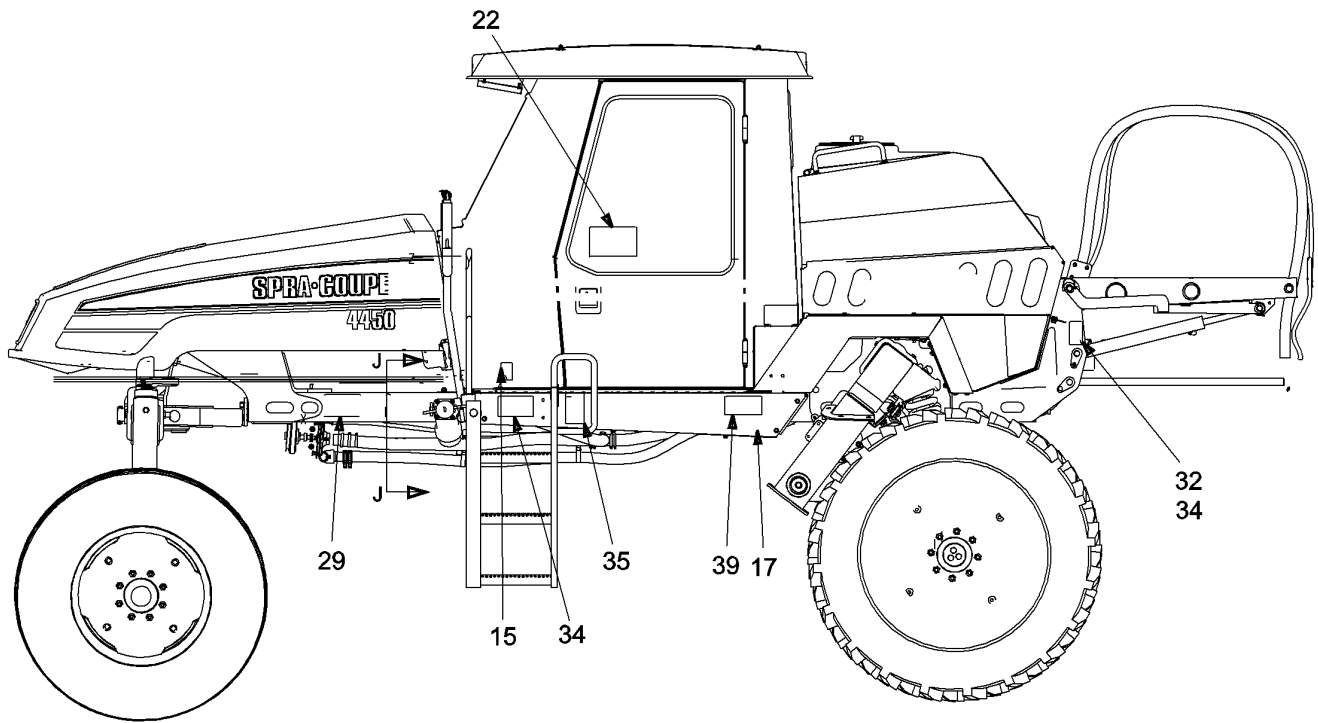
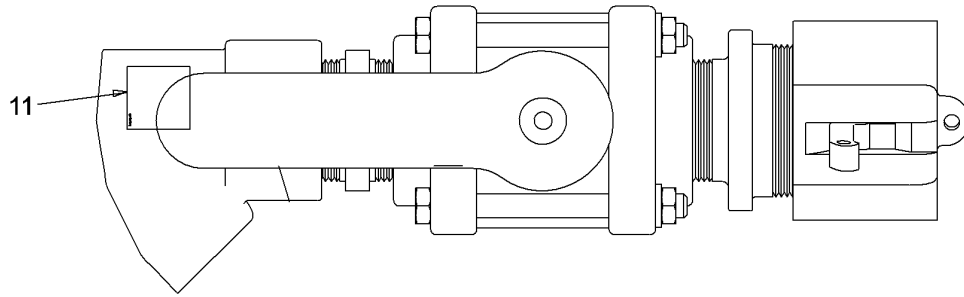
SHEET 2 / 8

E720792-B-02.TIF

# DECAL INSTL-SC3X50/4X50,FR

ITEM	PART #	QTY	DESCRIPTION	COMMENTS
1	50955-FR	1	DECAL-WARNBATTERYEXPL,7X50,FR	
19	6628550FR	1	DECAL-FUEL FILTER,FRA	
29	71379132FR	2	DECAL-WARNING,BELT,FAN,FR	
30	72528122FR	1	DECAL-WARNING,HOT SURFACE,FRA	
32	WR37158-FR	1	DECAL-WARNINGAVOIDEATH,7X50,FR	
34	WR37164-FR	3	DECAL-WARNINGFLUIDPRES,7X50,FR	
36	WR37257-FR	1	DECAL-WARNING,CHEMICAL,4X50,FRA	

VIEW J-J

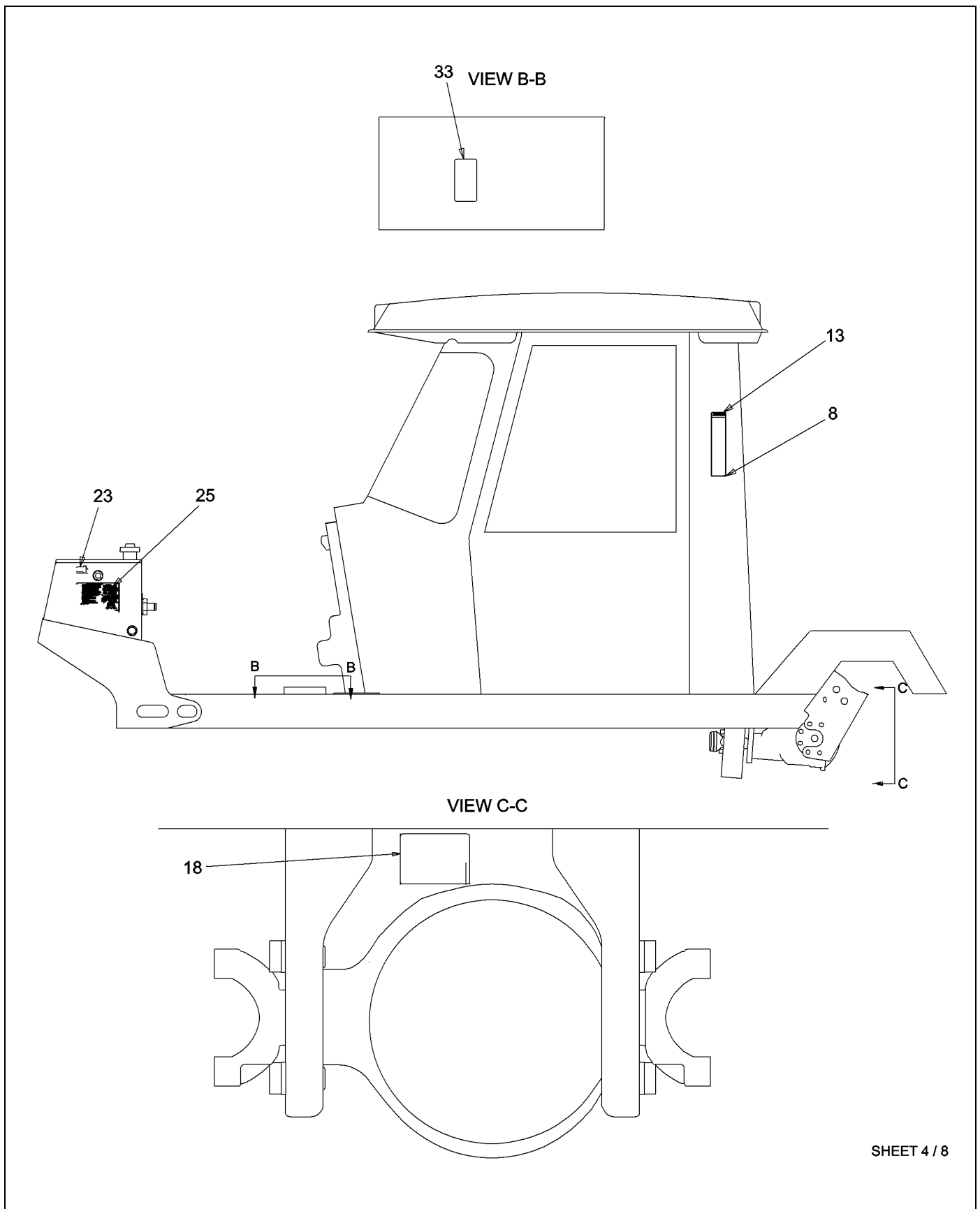


SHEET 3 / 8

E720792-B-03.TIF

# DECAL INSTL-SC3X50/4X50,FR

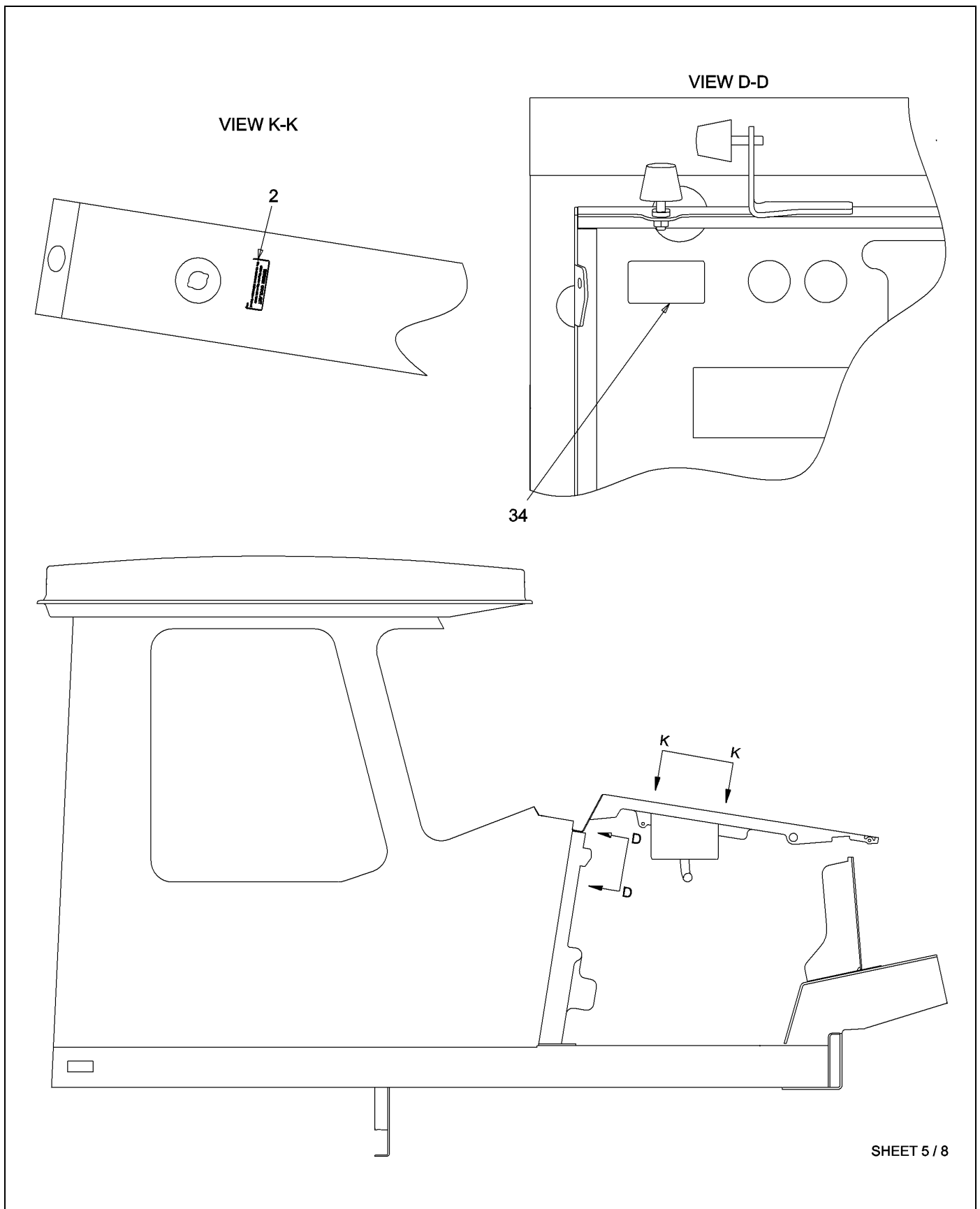
ITEM	PART #	QTY	DESCRIPTION	COMMENTS
11	6591956FR	1	DECAL-TANK FILL,FR	
15	6626908FR	1	DECAL-COOLANT LEVEL,FR	
17	6628319FR	1	DECAL-SPIGOT,FR	
22	6802082FR	1	DECAL-WASHING,FR	
29	71379132FR	2	DECAL-WARNING,BELT,FAN,FR	
32	WR37158-FR	1	DECAL-WARNINGAVOIDEATH,7X50,FR	
34	WR37164-FR	3	DECAL-WARNINGFLUIDPRES,7X50,FR	
35	WR37166-FR	1	DECAL-WARNING,FALL OFF,4X50,FR	
39	WV2222-FR	2	DECAL-DRIVESHAFT,FR	



E720792-B-04.TIF

# DECAL INSTL-SC3X50/4X50,FR

ITEM	PART #	QTY	DESCRIPTION	COMMENTS
8	AG611207	1	DECAL-DANGERWEARPROTEC,7X50,FR	
13	6625605FR	1	DECAL-WARNING,FR	
18	6628320FR	2	DECAL-WARNING,SYNT,OIL,FR	
23	6802470FR	1	DECAL-FILL,HYD OIL,FR	
25	6803310FR	1	DECAL-SERVICE,FR	
33	WR37159-FR	1	DECAL-DANGER,BY-PASS,4X50,FR	



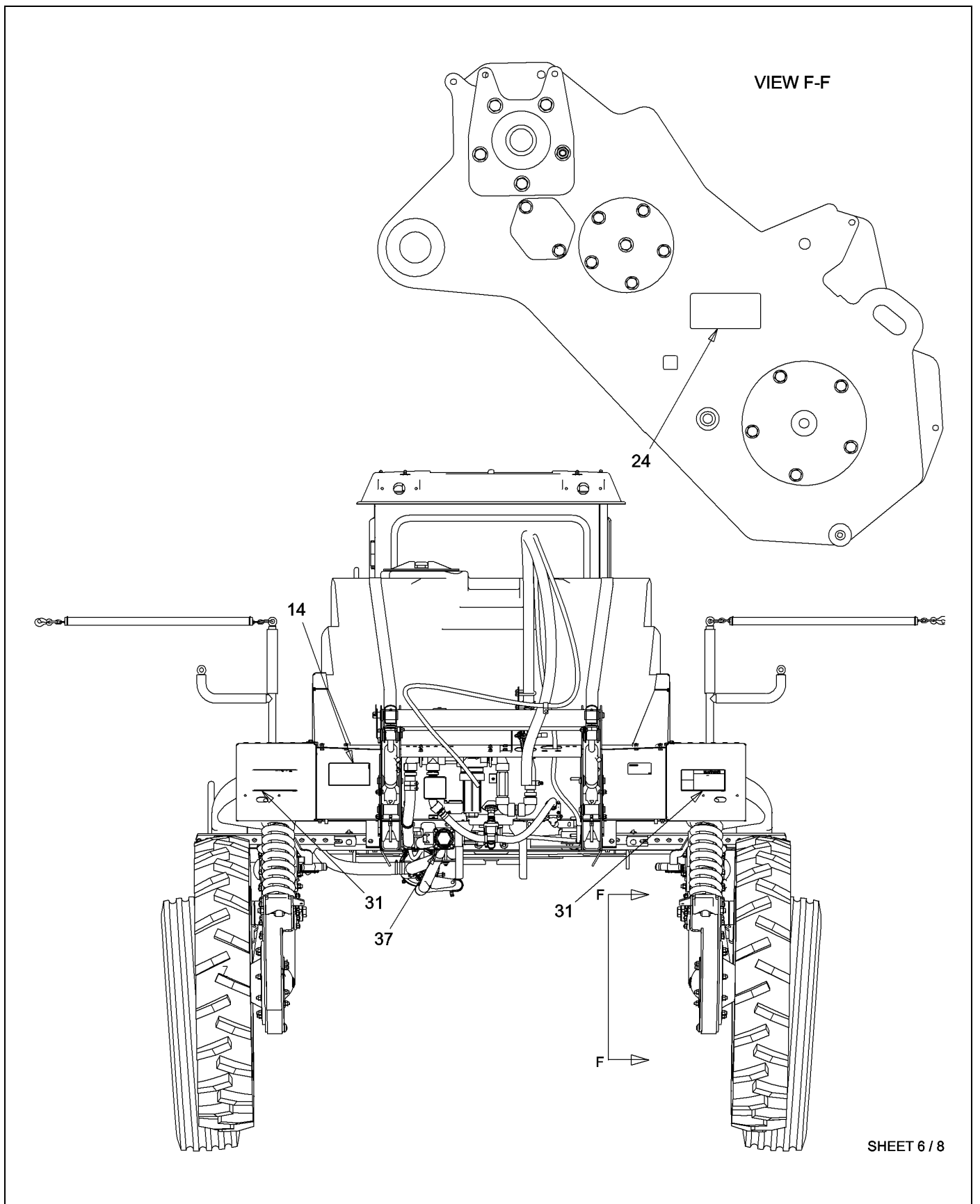
SHEET 5 / 8

E720792-B-05.TIF



# DECAL INSTL-SC3X50/4X50,FR

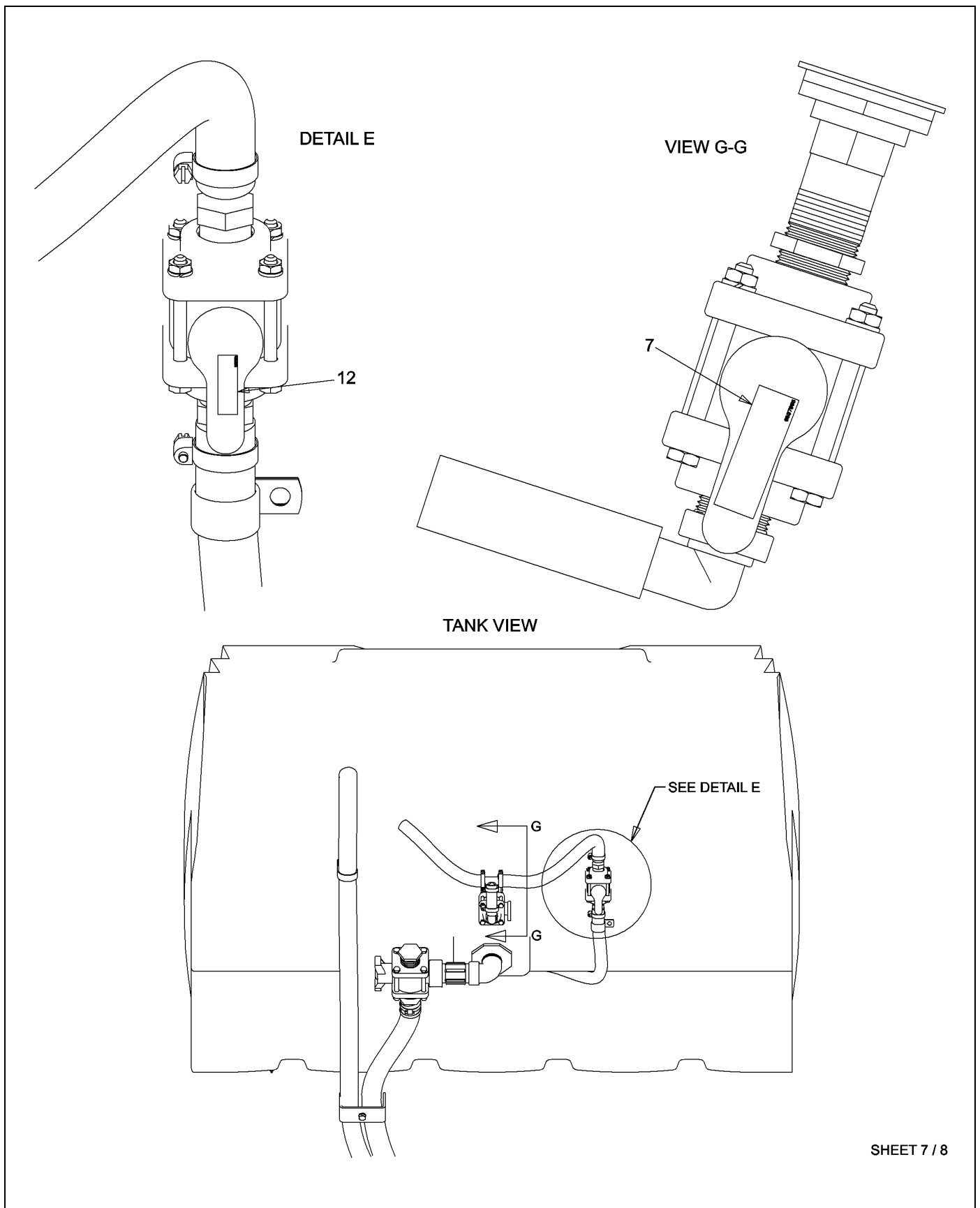
ITEM	PART #	QTY	DESCRIPTION	COMMENTS
2	55545-FR	1	DECAL-COOLANT,PG,FR	
34	WR37164-FR	3	DECAL-WARNINGFLUIDPRES,7X50,FR	



E720792-B-06.TIF

# DECAL INSTL-SC3X50/4X50,FR

ITEM	PART #	QTY	DESCRIPTION	COMMENTS
14	6626787FR	1	DECAL-LOCK,BOOM,FR	
24	6802477FR	2	DECAL-CHAINCASE OIL,FR	
31	WR37156-FR	1	DECAL-WARNINGCHEMPROD,4X50,FR	
37	WR55578-FR	1	DECAL-FILTERS,SPRA COUPE,FR	

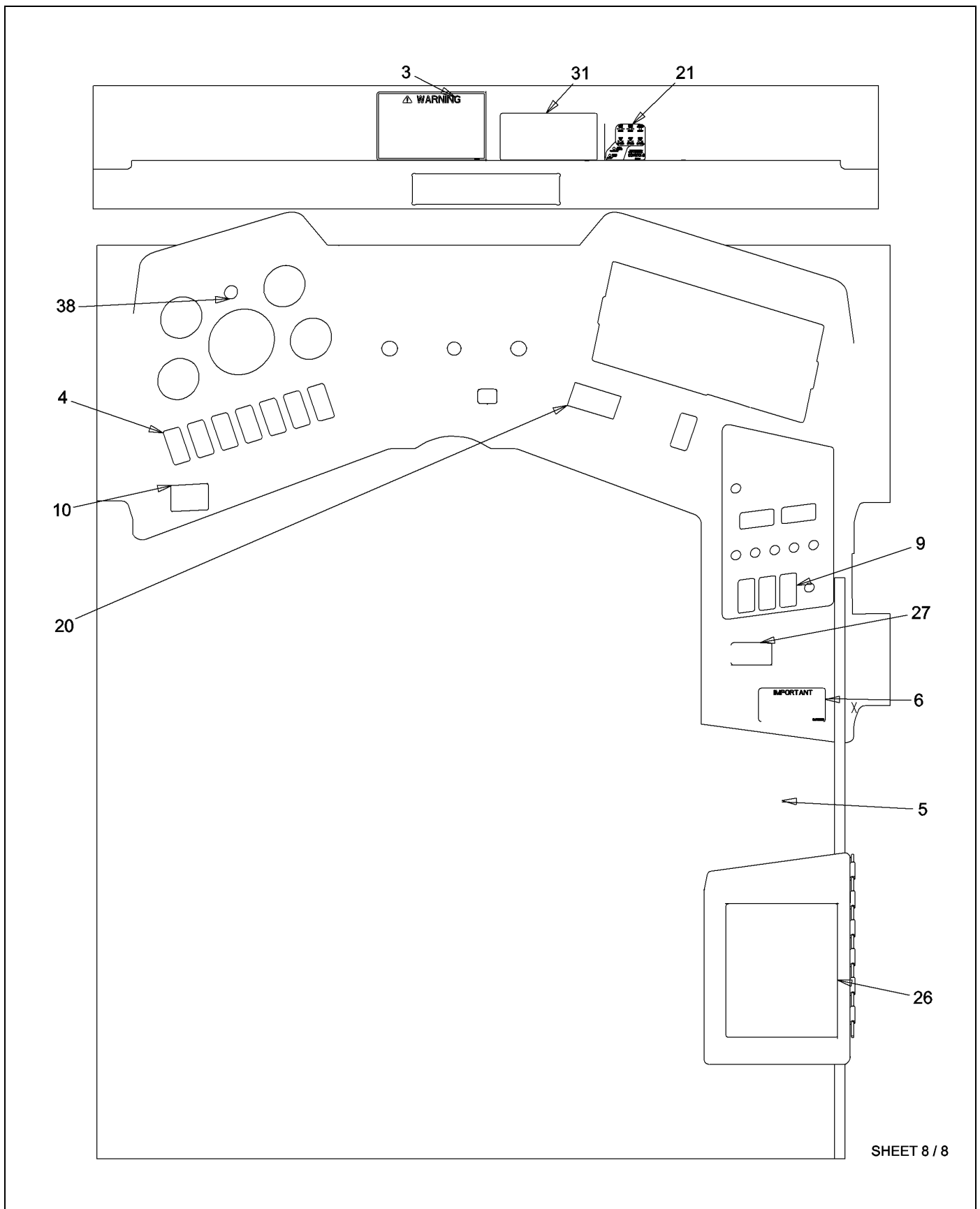


SHEET 7 / 8

E720792-B-07.TIF

# DECAL INSTL-SC3X50/4X50,FR

ITEM	PART #	QTY	DESCRIPTION	COMMENTS
7	AG611206	1	DECAL-LOWER AGITATION,FR	
12	6597954FR	3	DECAL-UP AGIT,FR	



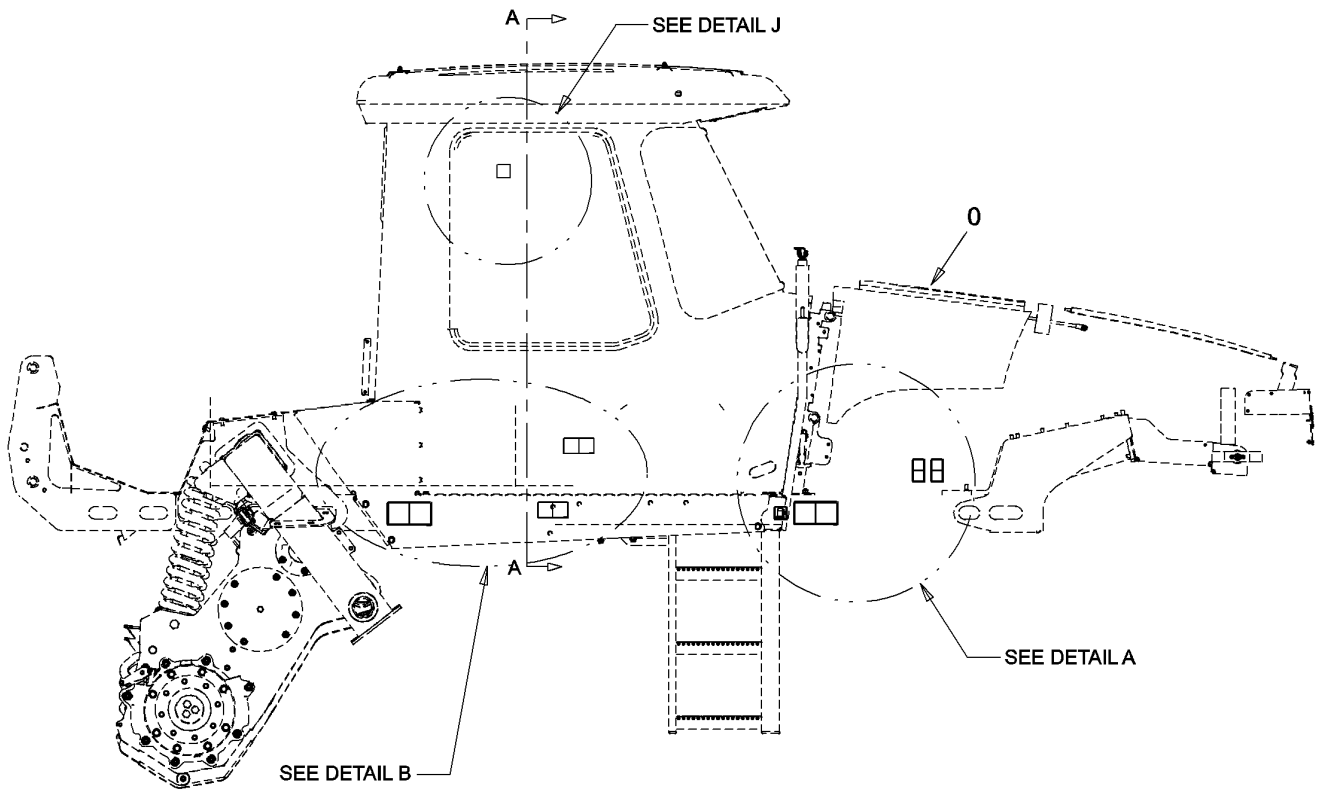
SHEET 8 / 8

E720792-B-08.TIF

# DECAL INSTL-SC3X50/4X50,FR

ITEM	PART #	QTY	DESCRIPTION	COMMENTS
3	55547-FR	1	DECAL-WARNING,MULTI,FR	
4	AG611200	1	DECAL-ROCKER SWITCH,FR	
5	AG611203	1	DECAL-GEARHANDLE,SC	
6	AG611204	1	DECAL-WARNING LIGHT,FR	
9	AG611211	1	DECAL-SPRAY PACK CONTROLLER,FR	
10	6529638FR	1	DECAL-ENGINE,IDLE DOWN,FR	
20	6668879FR	1	DECAL-WARNING,REV.ALARM,FR	
21	6801418FR	1	DECAL-HAND THROTTLE,FR	
26	6804059FR	1	DECAL-FUSE/RELAY,FR	
27	6804111FR	1	DECAL-TRANS FILL,FR	
31	WR37156-FR	1	DECAL-WARNINGCHEMPROD,4X50,FR	
38	WR55790-FR	1	DECAL-ENGINE PREHEAT,FR	

LEFT VIEW



SHEET 1 / 13

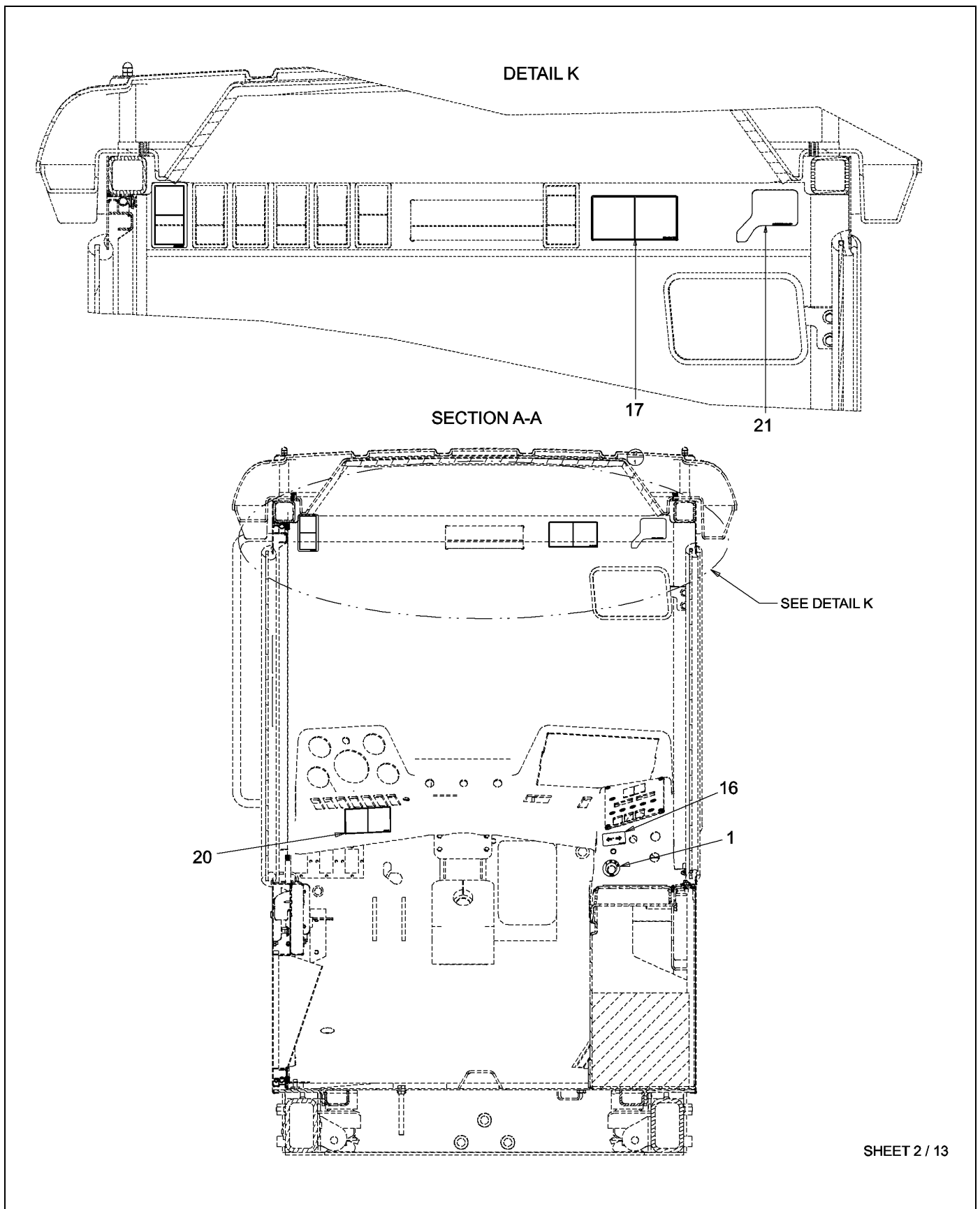
623261-A-01.TIF



# DECAL INSTL-SC4X55,INT

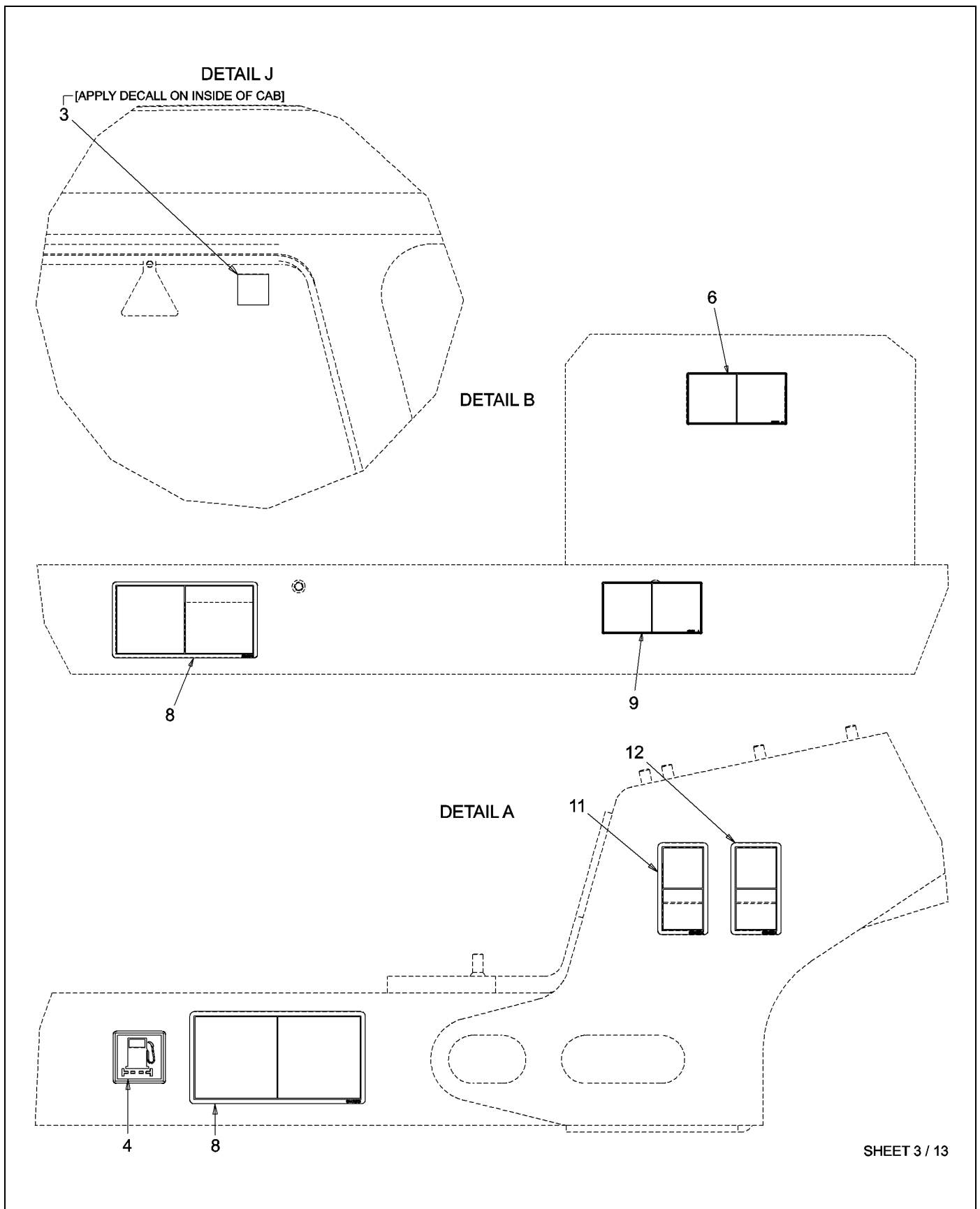
---

ITEM	PART #	QTY	DESCRIPTION	COMMENTS
REF	XXXXXX	0	DETAIL DRAWING	



## DECAL INSTL-SC4X55,INT

ITEM	PART #	QTY	DESCRIPTION	COMMENTS
1	AG135991	1	DECAL-SWITCH,IGNITION	
16	519603D1	1	DECAL-TURN SIGNAL	
17	519605D1	1	DECAL-FRONT WEIGHTS (INT)	
20	519662D1	1	DECAL-PARK BRAKE (INT)	
21	520095D1	1	DECAL-HANDLE	

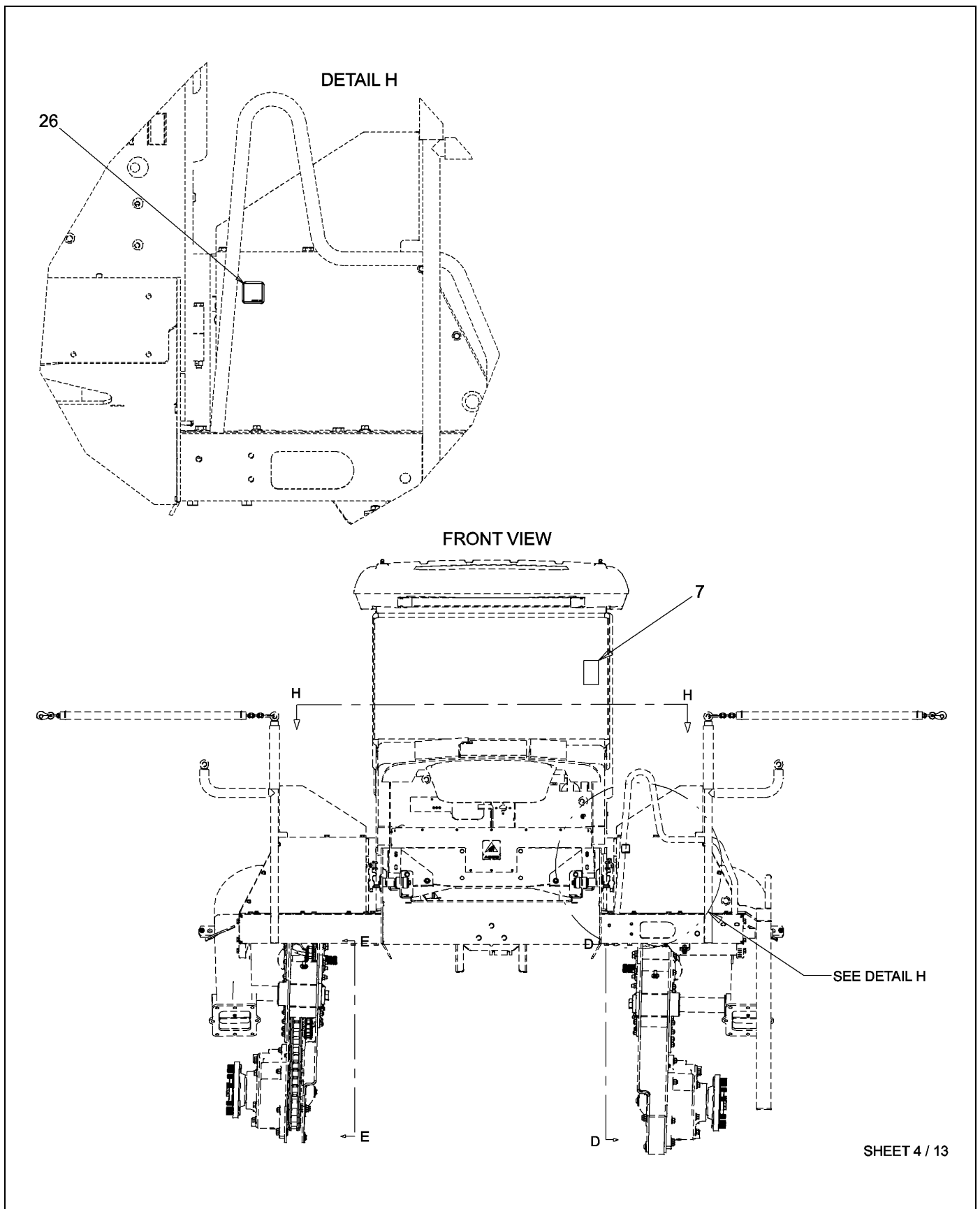


SHEET 3 / 13

623261-A-03.TIF

# DECAL INSTL-SC4X55,INT

ITEM	PART #	QTY	DESCRIPTION	COMMENTS
3	71389158	1	DECAL-LABEL-EXIT	
4	501103D1	1	FILM-INSTL	
6	511096D1	1	EXPLOSION HAZARD/DISC.BATTERY (INT)	
8	511128D1	2	WARNING-BURN HAZARD	
9	511144D1	1	DECAL-PRESSURE HAZARD/REMOVE KEY (INT)	
11	511206D1	2	WARNING-TURN ENGINE OFF	
12	511208D1	2	WARNING-TURN ENGINE OFF	

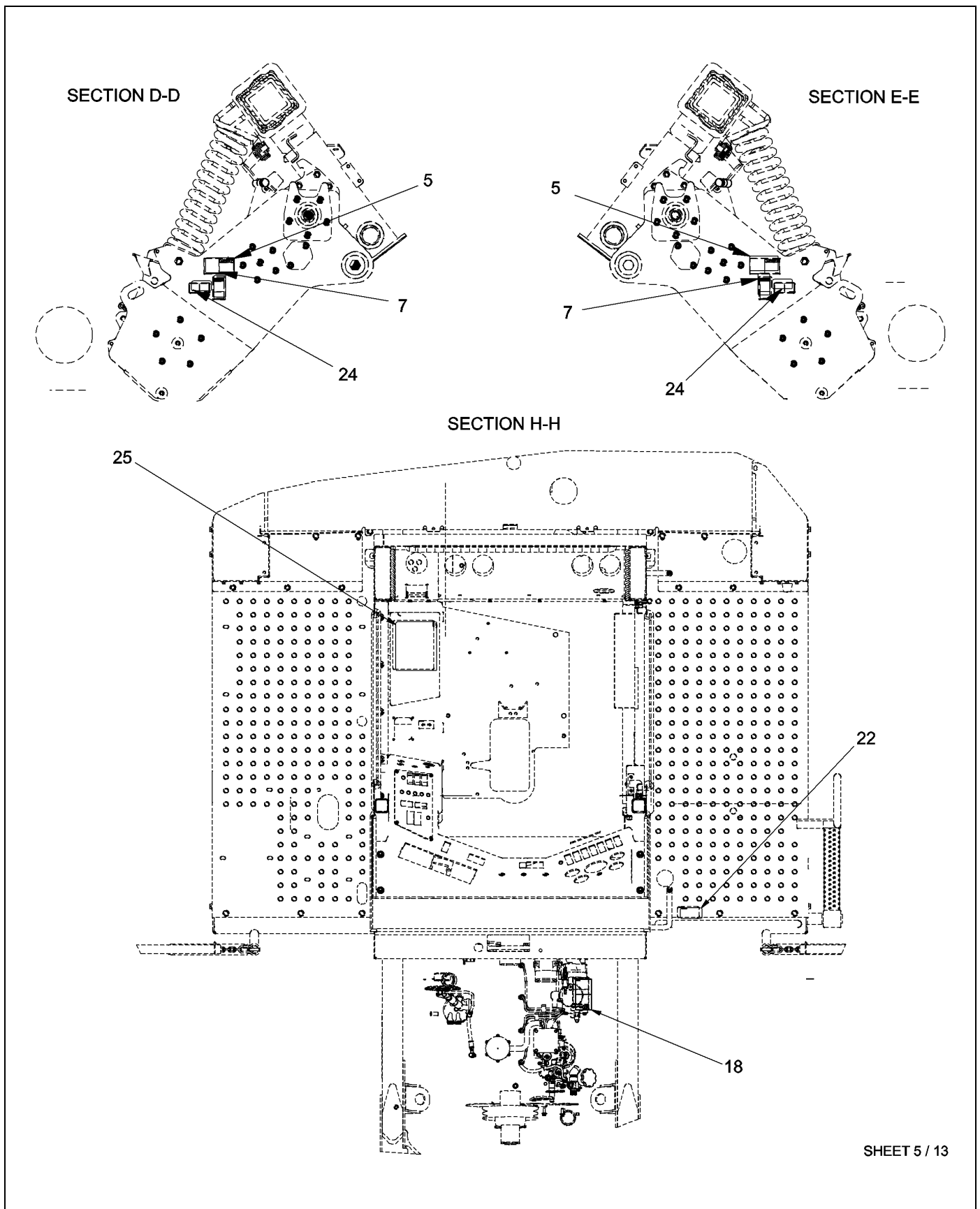


SHEET 4 / 13

623261-A-04.TIF

# DECAL INSTL-SC4X55,INT

ITEM	PART #	QTY	DESCRIPTION	COMMENTS
7	511108D1	5	WARNING-READ MANUAL	
26	520100D1	1	DECAL-DIESEL FUEL	



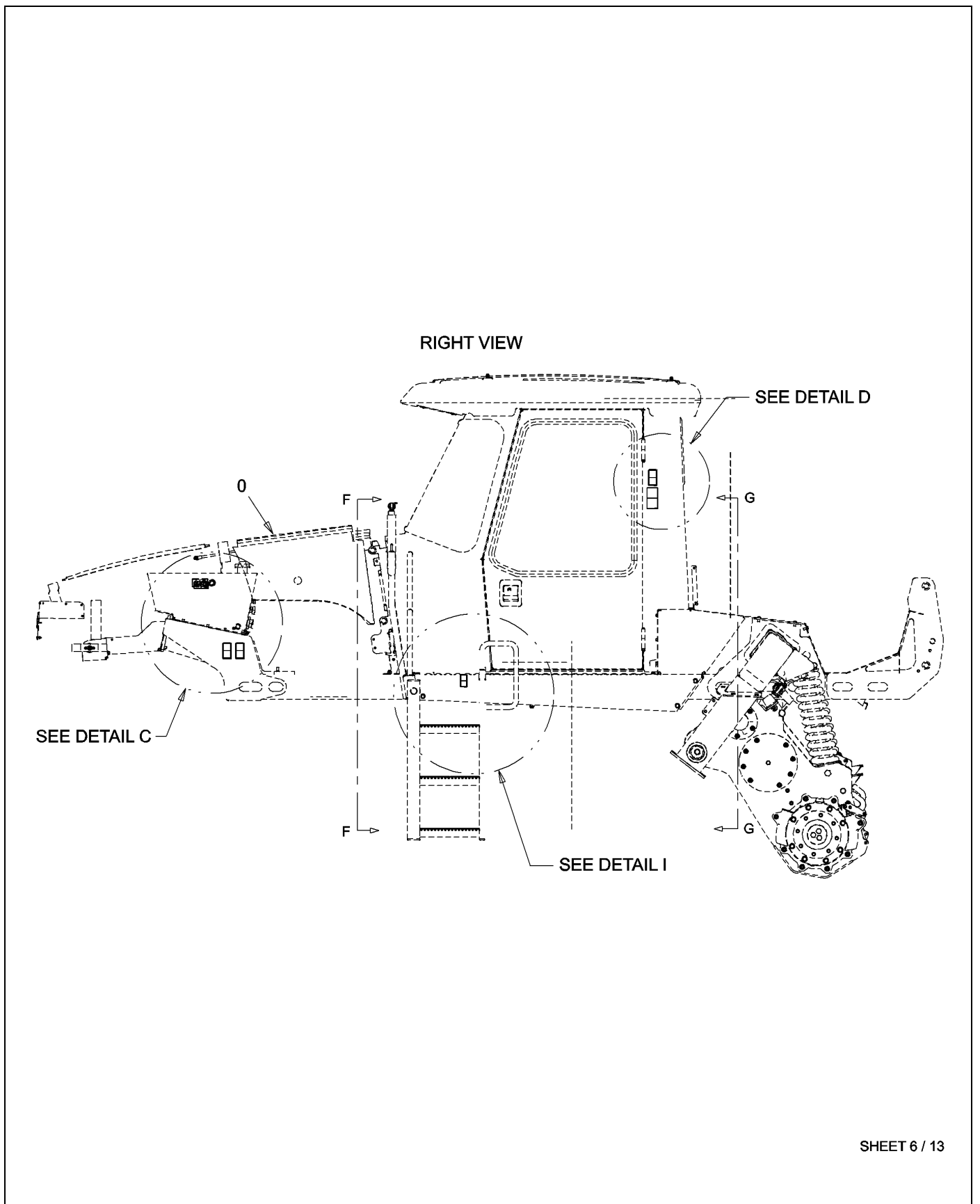
SHEET 5 / 13

623261-A-05.TIF



# DECAL INSTL-SC4X55,INT

ITEM	PART #	QTY	DESCRIPTION	COMMENTS
5	511086D1	2	DECAL-DRIVELINE HAZARD (INT)	
7	511108D1	5	WARNING-READ MANUAL	
18	519611D1	1	DECAL-ROLL OVER (INT)	
22	520096D1	1	DECAL MANUAL FOLD BOOM	
24	520098D1	2	DECAL-HYDRAULIC OIL LEVEL	
25	520099D1	1	DECAL-FUSE PANEL,SC4000	



SHEET 6 / 13

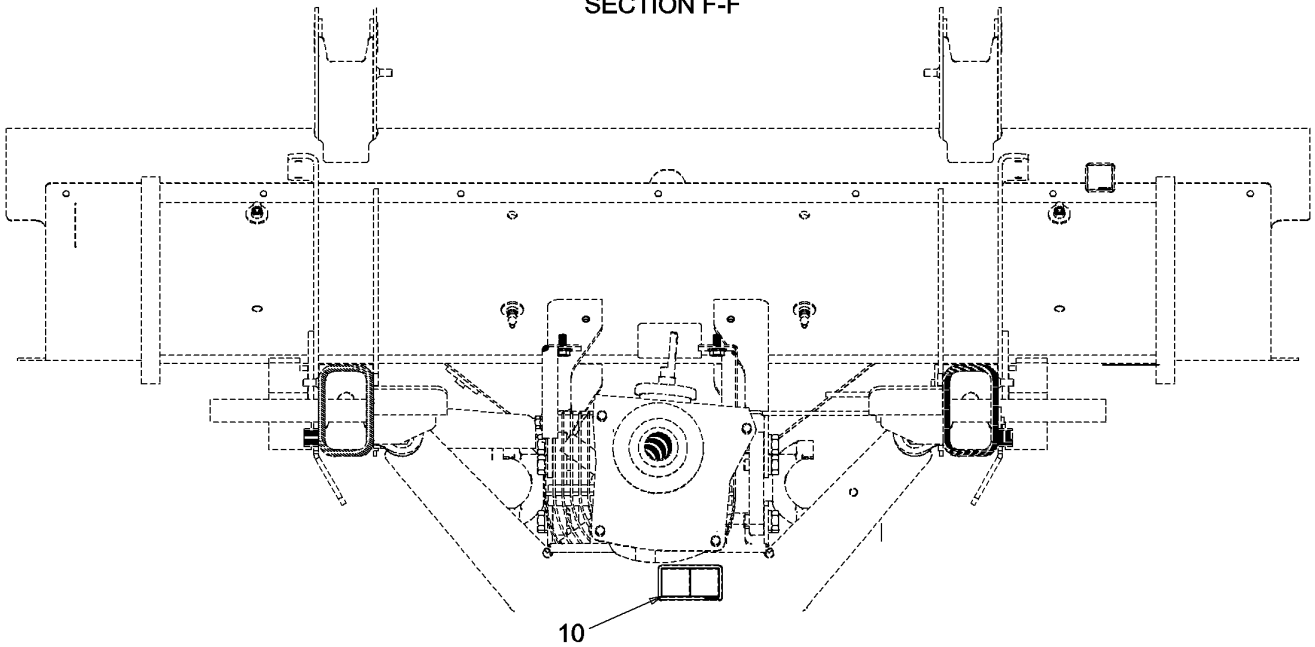
623261-A-06.TIF

# DECAL INSTL-SC4X55,INT

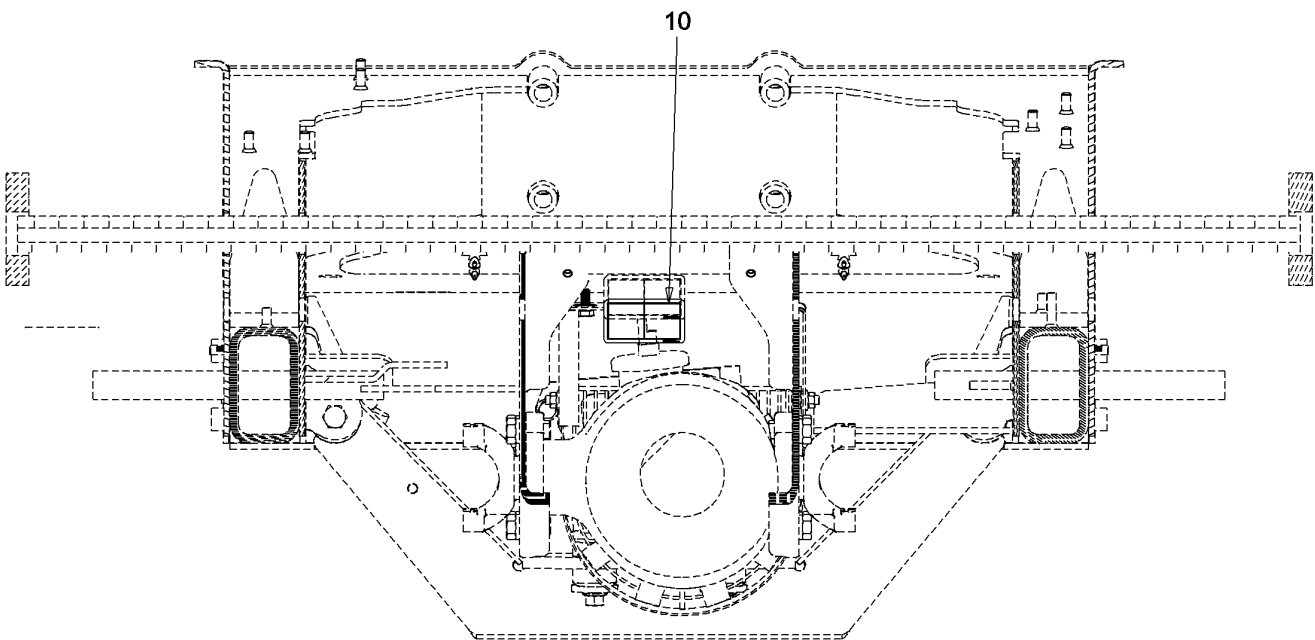
---

ITEM	PART #	QTY	DESCRIPTION	COMMENTS
REF	XXXXXX	0	DETAIL DRAWING	

SECTION F-F



SECTION G-G



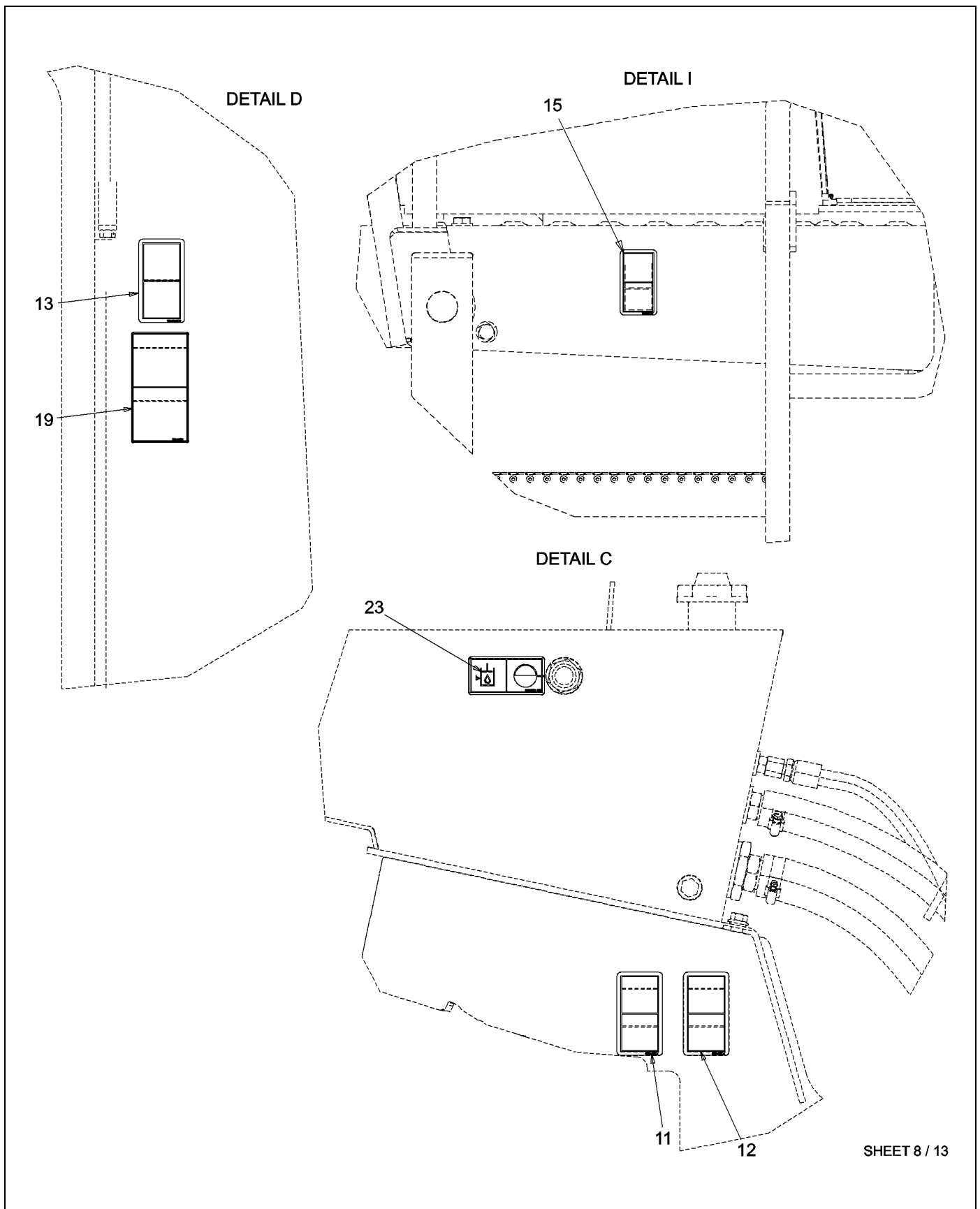
SHEET 7 / 13

623261-A-07.TIF

# DECAL INSTL-SC4X55,INT

---

ITEM	PART #	QTY	DESCRIPTION	COMMENTS
10	511147D1	2	DECAL-TRANS OIL FILL	



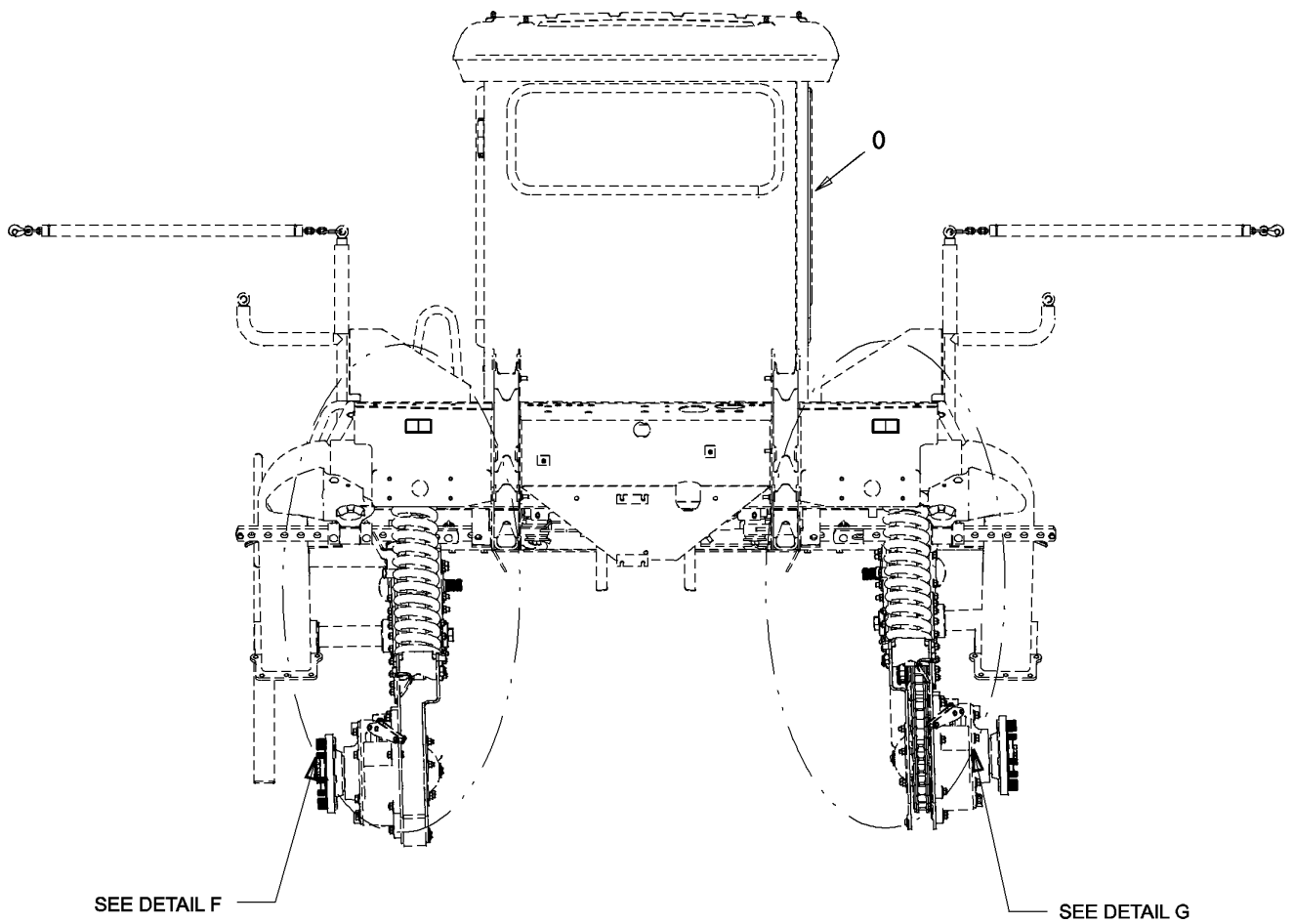
SHEET 8 / 13

623261-A-08.TIF

# DECAL INSTL-SC4X55,INT

ITEM	PART #	QTY	DESCRIPTION	COMMENTS
11	511206D1	2	WARNING-TURN ENGINE OFF	
12	511208D1	2	WARNING-TURN ENGINE OFF	
13	511210D1	1	WARNING-INHALATION	
15	511416D1	1	DECAL-WARNING-FALL HAZARD (INT)	
19	519660D1	1	DECAL-POISONOUS GAS (INT)	
23	520097D1	1	DECAL-HYDRAULIC OIL LEVEL	

REAR VIEW



SHEET 9 / 13

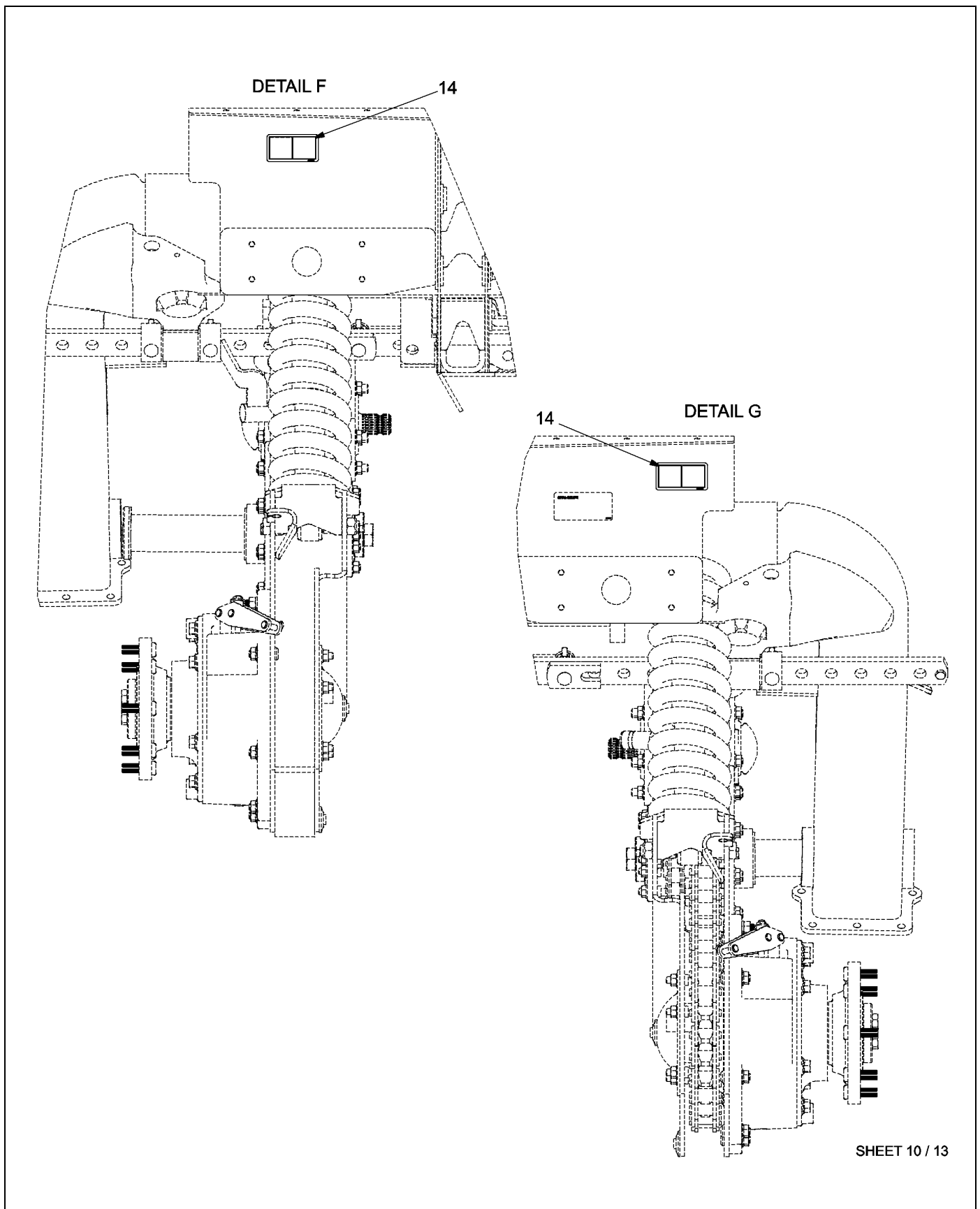
623261-A-09.TIF



# DECAL INSTL-SC4X55,INT

---

ITEM	PART #	QTY	DESCRIPTION	COMMENTS
REF	XXXXXX	0	DETAIL DRAWING	

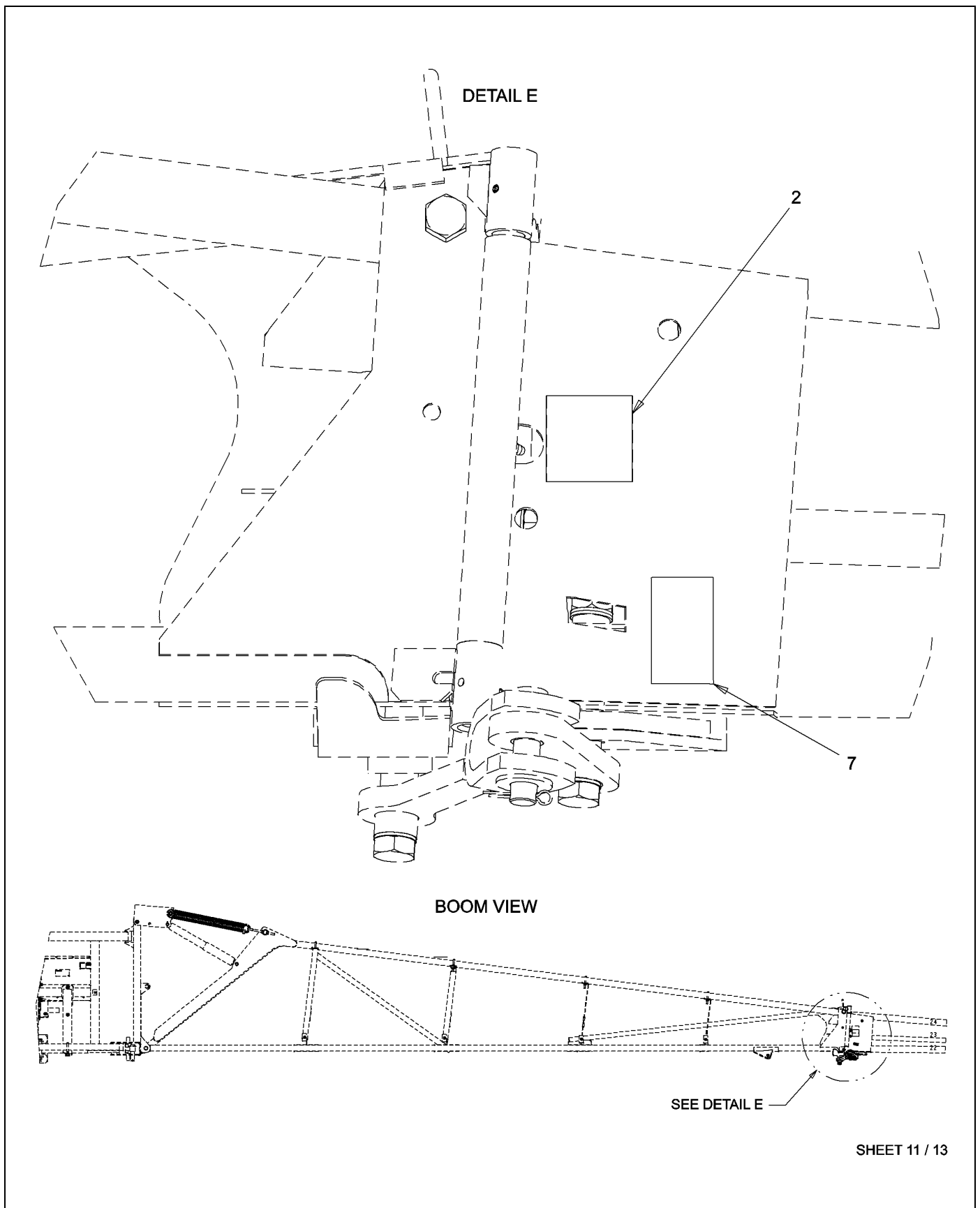


SHEET 10 / 13

623261-A-10.TIF

# DECAL INSTL-SC4X55,INT

ITEM	PART #	QTY	DESCRIPTION	COMMENTS
14	511413D1	2	DECAL-CRUSH HAZARD,INT	

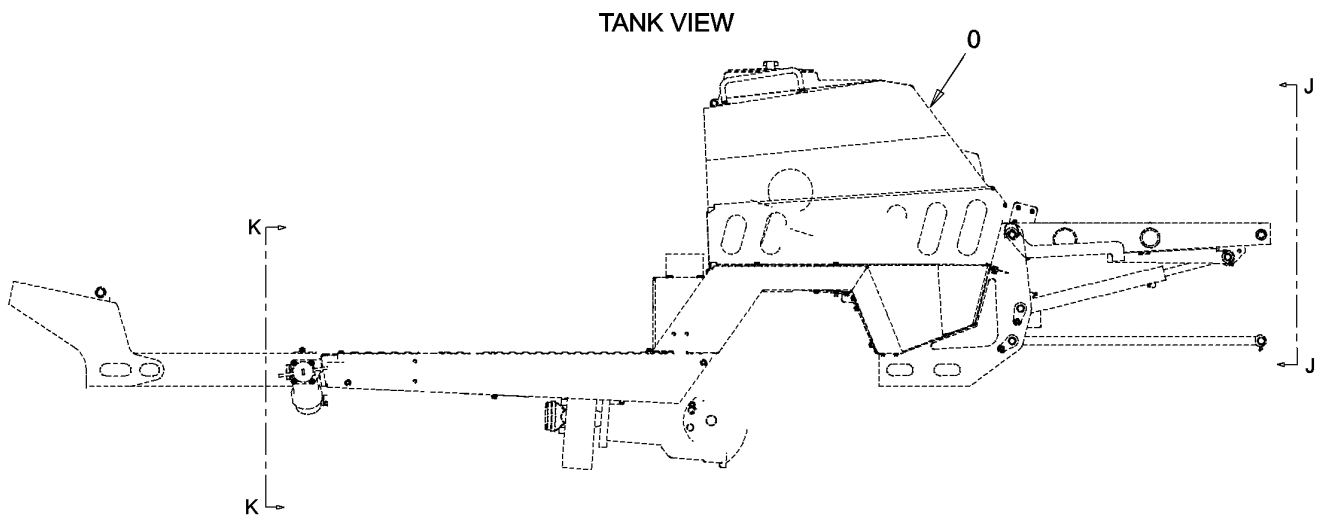


SHEET 11 / 13

623261-A-11.TIF

# DECAL INSTL-SC4X55,INT

ITEM	PART #	QTY	DESCRIPTION	COMMENTS
2	6620015	2	SHEETING,REFLECTIVE-AMBER	
7	511108D1	5	WARNING-READ MANUAL	



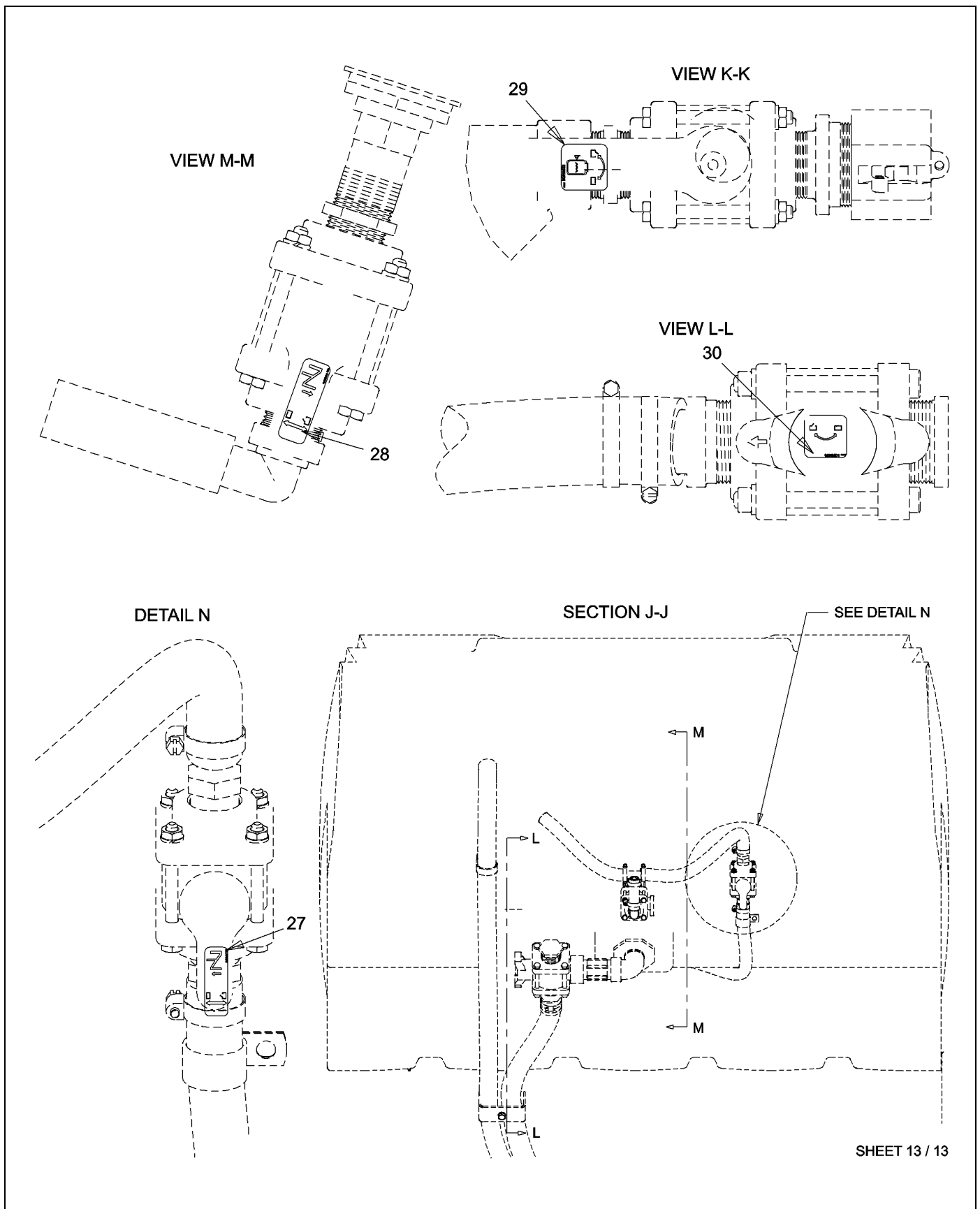
SHEET 12 / 13

623261-A-12.TIF

# DECAL INSTL-SC4X55,INT

---

ITEM	PART #	QTY	DESCRIPTION	COMMENTS
REF	XXXXXX	0	DETAIL DRAWING	



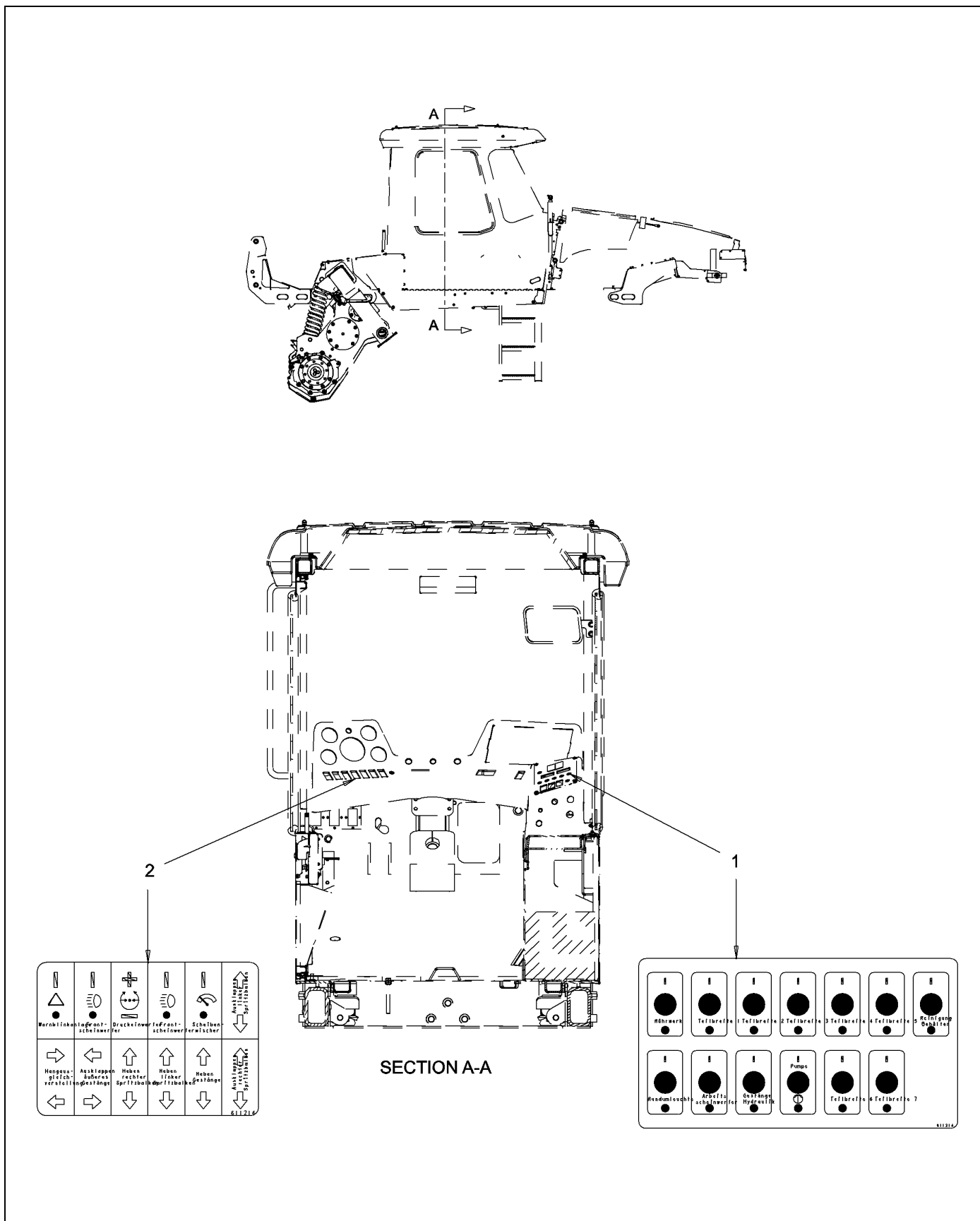
SHEET 13 / 13

623261-A-13.TIF



# DECAL INSTL-SC4X55,INT

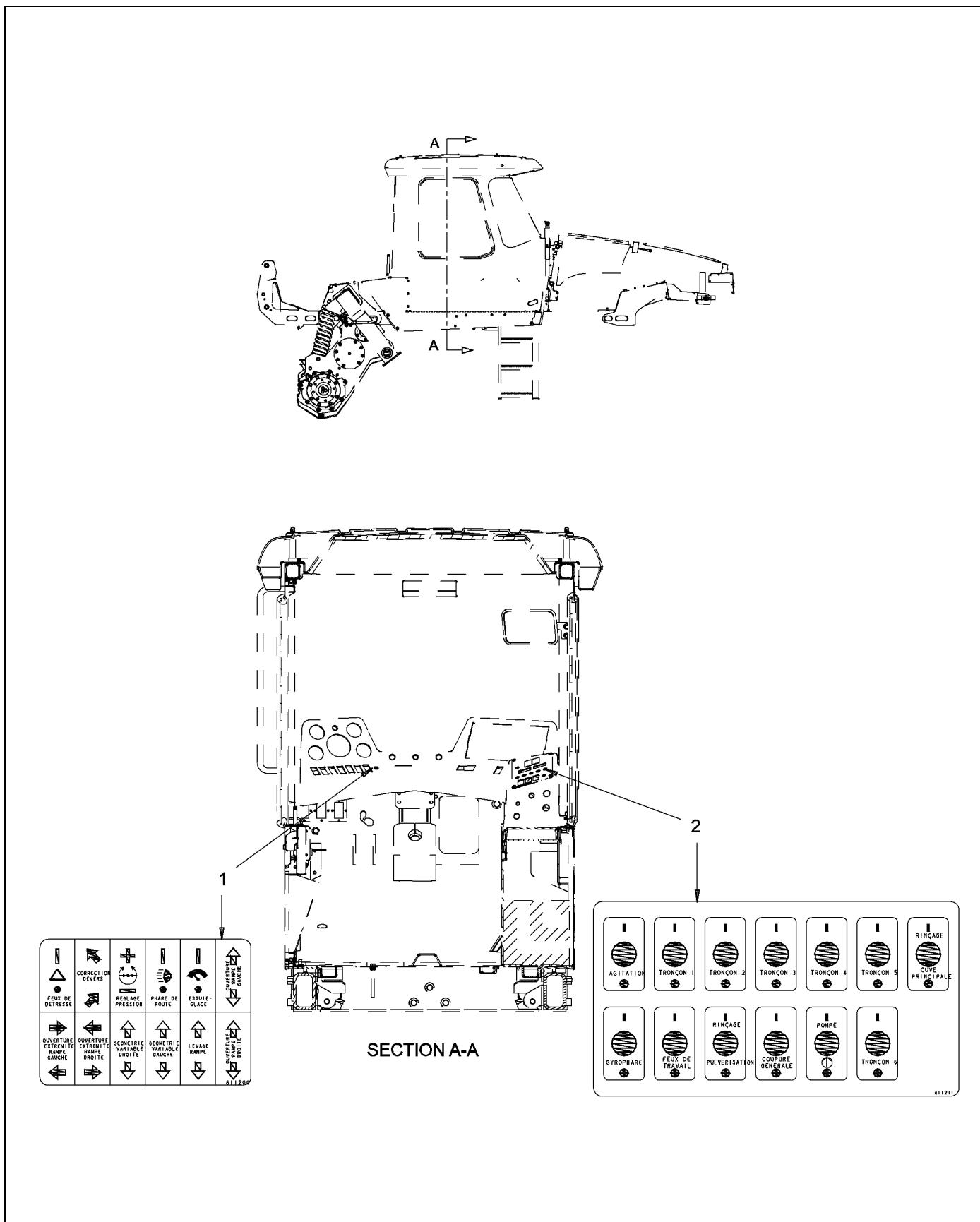
ITEM	PART #	QTY	DESCRIPTION	COMMENTS
27	521049D1	1	DECAL-UPPER AGITATION	
28	521050D1	1	DECAL-LOWER AGITATION	
29	521051D1	1	DECAL-TANK FILL	
30	521052D1	1	DECAL-MAIN LINE	



623270-A-01.TIF

# DECAL INSTL-CAB,SC4X55,D

ITEM	PART #	QTY	DESCRIPTION	COMMENTS
1	AG611214	1	DECAL-SPRAY PACK CONTROLLER,GE	
2	AG611216	1	DECAL-ROCKER SWITCH,GER	



622874-B-01.TIF

# DECAL INSTL-CAB,SC4X60,FR

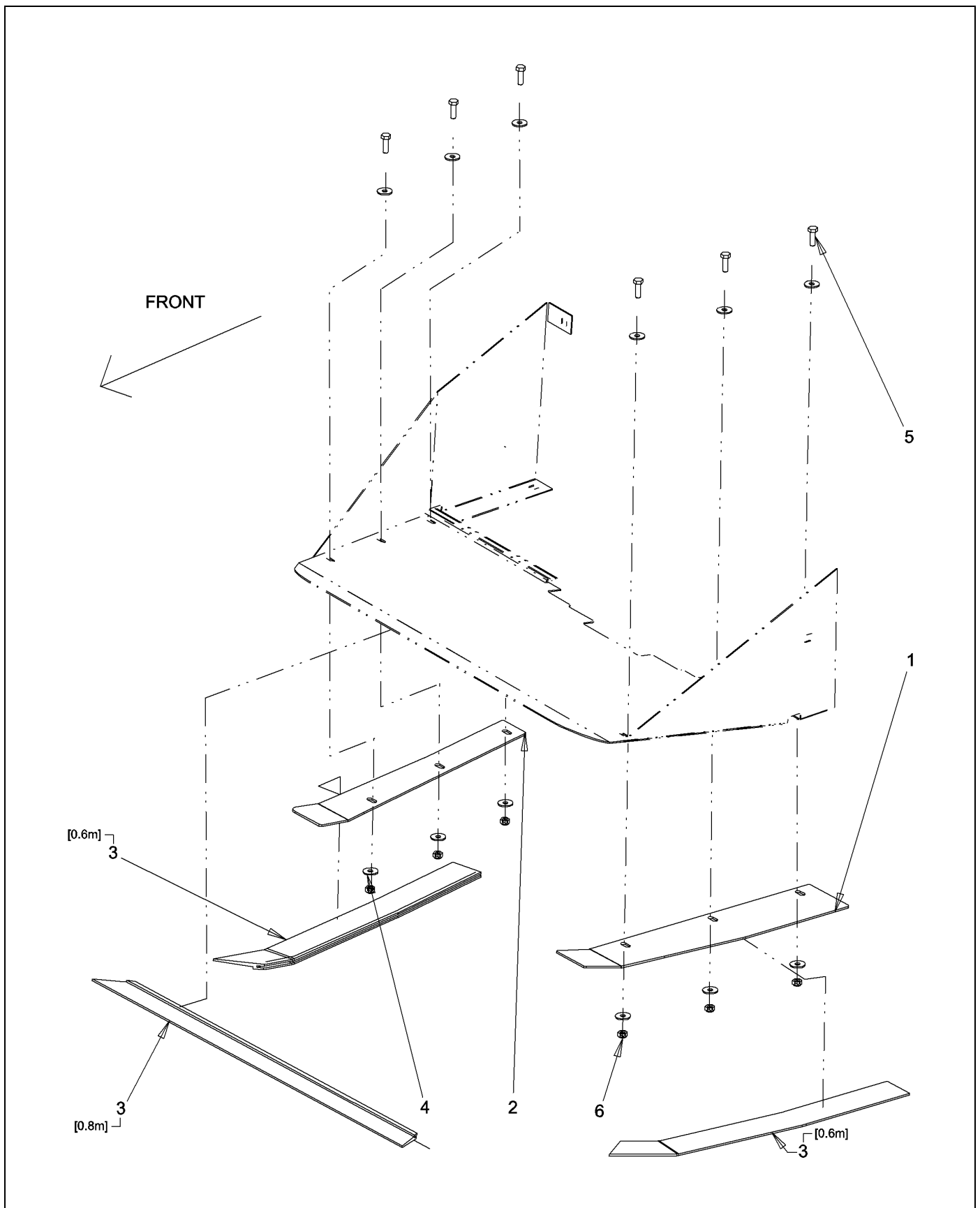
ITEM	PART #	QTY	DESCRIPTION	COMMENTS
1	AG611200	1	DECAL-ROCKER SWITCH,FR	
2	AG611211	1	DECAL-SPRAY PACK CONTROLLER,FR	

KIT INSTL-RAPE SEED,SC4X55	16-1
PUMP INSTL-FILLING,SC3X50/4X50	16-2
PUMP ASM-FILLING,SC3X50/4X50	16-3
PUMP/GENERATOR-3.5HP (200A-3BS)	16-4
PLUMBING INSTL-FILLING PUMP	16-5
HOSE ASM-SUCTION,2.0INX7.0M	16-6
NOZZLE INSTL-ENDROW,SC3/4/7X50	16-7
NOZZLE INSTL-ENDROW,SC3/4/7X50	16-8
NOZZLE INSTL-ENDROW,SC3/4/7X50	16-9
NOZZLE INSTL-ENDROW,SC3/4/7X50	16-10
ELECTRICAL INSTL-RECEIVER,SC4XXX	16-11
RECEIVER INSTL-PHOENIX 300,RAV	16-12
RECEIVER INSTL-PHOENIX 300,RAV	16-13
KIT-GPS,PHOENIX 300	16-14
LIGHTBAR INSTL-RGL600,SC4XXX	16-15
LIGHTBAR INSTL-RGL600,SC4XXX	16-16
KIT-LIGHTBAR,RGL 600	16-17

---



# KIT INSTL-RAPE SEED,SC4X55



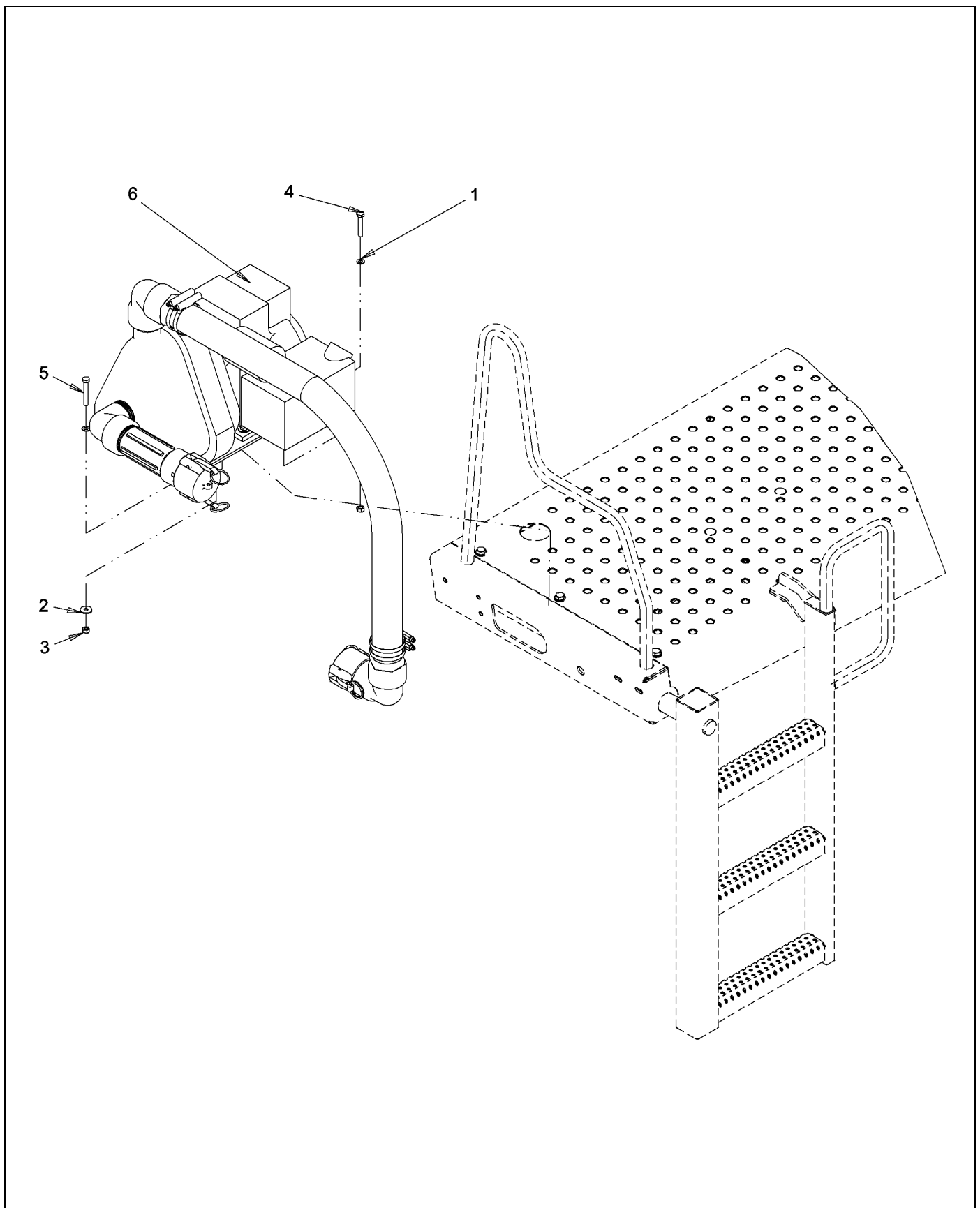
621706-A-01.TIF



# KIT INSTL-RAPE SEED,SC4X55

ITEM	PART #	QTY	DESCRIPTION	COMMENTS
1	AG621432	1	PLATE-EXTENSION,LH,RAPE SEED	
2	AG621433	1	PLATE-EXTENSION,RH,RAPE SEED	
3	AG691216	-	SECTION-CLAMP,FENDER [BULK: 2.00 METER]	
4	E102068	12	WASHER-M8,SS,ISO7093	
5	E105025	6	BOLT-M8X25,,,SS,ISO4017	
6	E105163	6	NUT-M8,,,SS,ISO7040	

# PUMP INSTL-FILLING,SC3X50/4X50

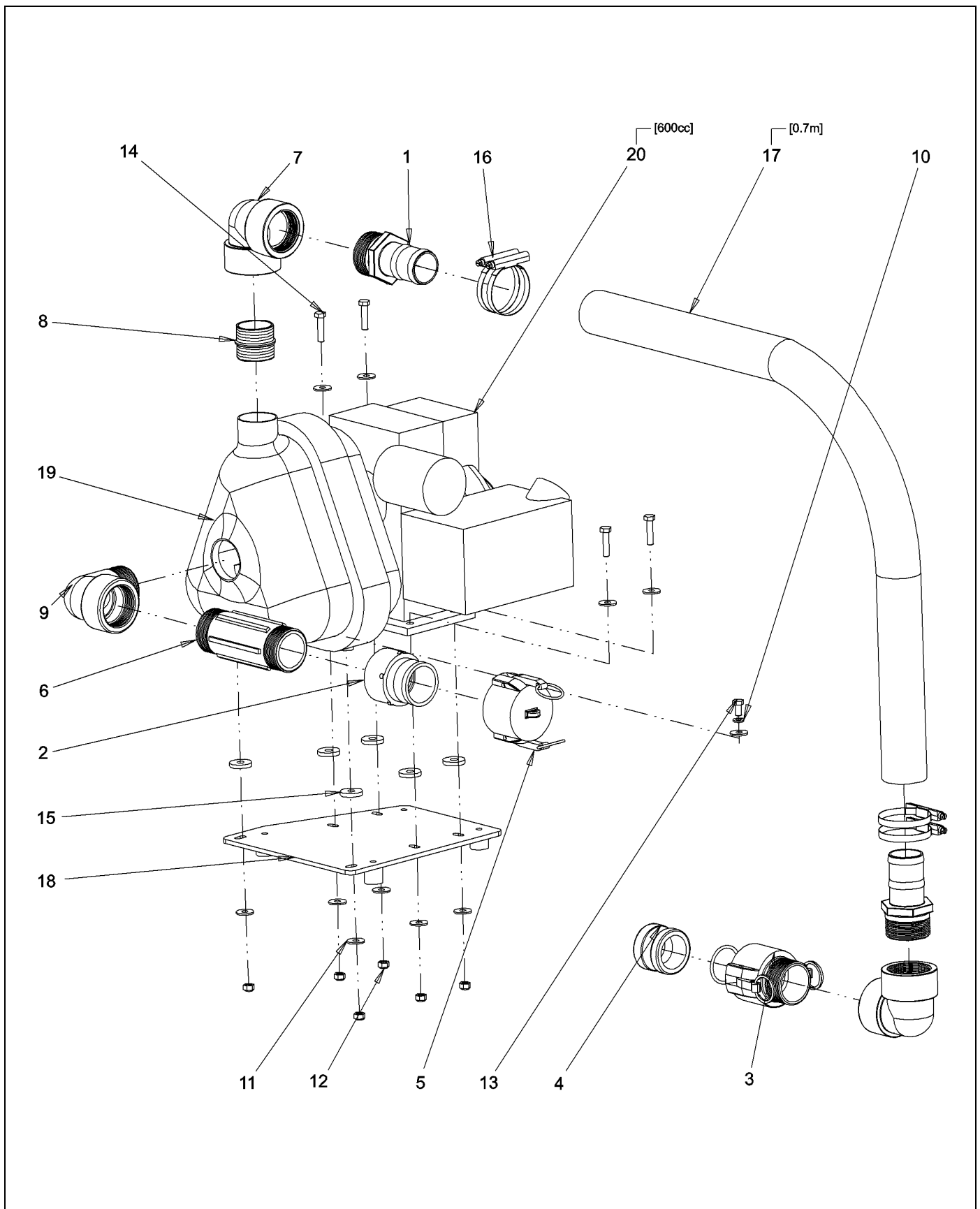


611335-B-01.TIF

# PUMP INSTL-FILLING,SC3X50/4X50

ITEM	PART #	QTY	DESCRIPTION	COMMENTS
1	E100013	6	WASHER-M8,,ISO7089	
2	E100025	2	WASHER-M8,,ISO7093	
3	E100037	4	NUT-M8,8,,ISO7040	
4	E100248	2	BOLT-M8X50,8.8,,ISO4014	
5	E100250	2	BOLT-M8X60,8.8,,ISO4014	
6	E558778	1	PUMP ASM-FILLING,SC3x50/4x50	SEE PAGE 16-3

# PUMP ASM-FILLING,SC3X50/4X50

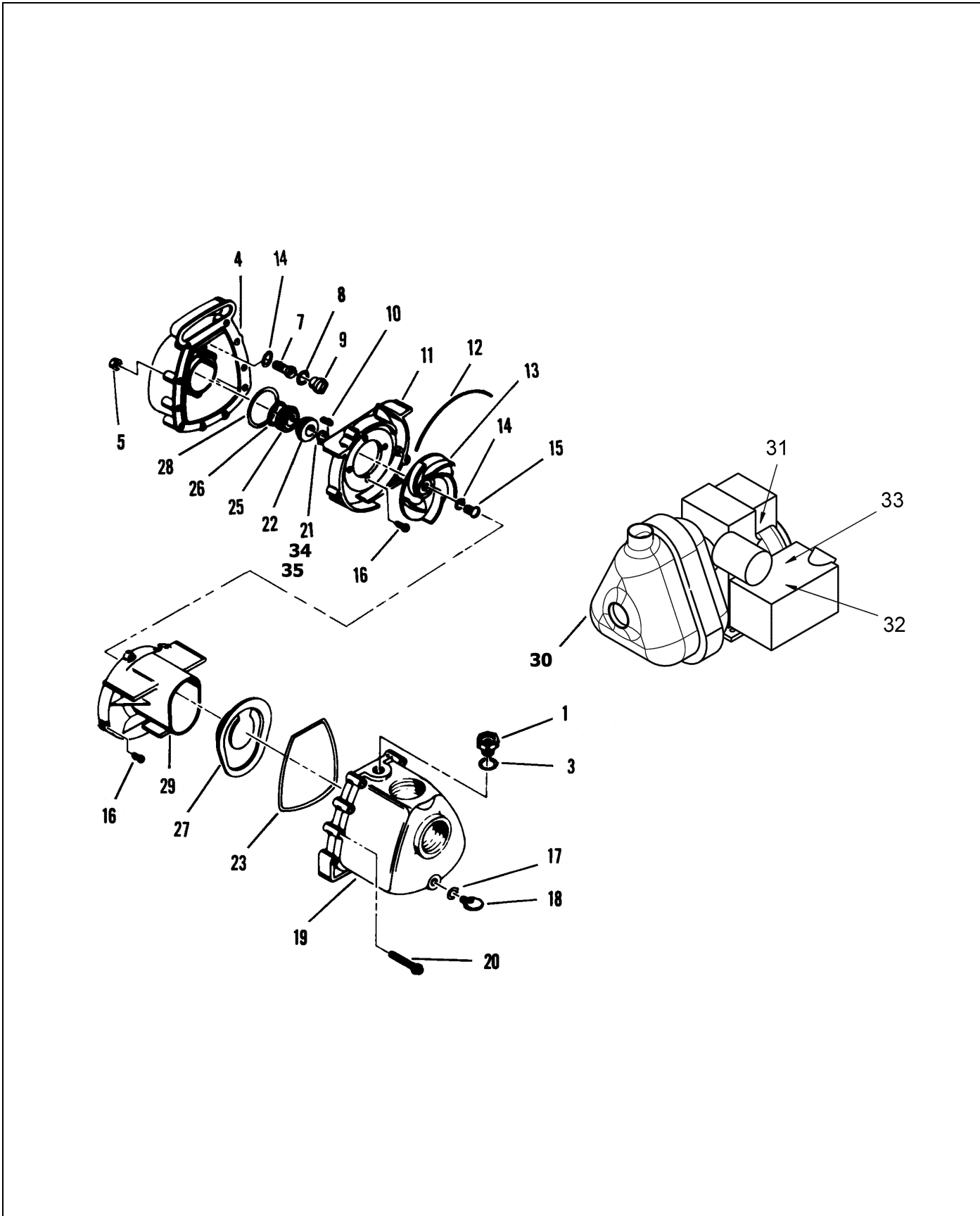


E558778-B-01.TIF

# PUMP ASM-FILLING,SC3X50/4X50

ITEM	PART #	QTY	DESCRIPTION	COMMENTS
1	AG000767	2	HOSE BARB-2.00MNPTX2.00BARB,PP	
2	AG000812	1	ADAPTER-CAMLOCK 2.00FNPT,MA	
3	AG000814	1	ADAPTER-CAMLOCK 2.00MNPT,FE	
4	AG000826	1	CAP-CAMLOCK 2.00,MA	
5	AG000829	1	CAP-CAMLOCK 2.00,FE	
6	AG050254	1	NIPPLE-PIPE,2.00NPT X6.00IN,PP	
7	AG050276	2	ELBOW-90DEG,2.00FNPT,PP	
8	AG050676	1	NIPPLE-DOUBLE,2.00MNPT,PP	
9	AG050689	1	ELBOW-ST,90DEG,2.0NPT,PP	
10	E100001	2	WASHER-M8,,DIN127B	
11	E100025	12	WASHER-M8,,ISO7093	
12	E100037	6	NUT-M8,8,,ISO7040	
13	E100116	2	BOLT-M8X16,8.8,,ISO4017	
14	E100120	4	BOLT-M8X35,8.8,,ISO4017	
15	E130034	6	ISOLATOR-RUBBER,3020B57	
16	E500063	4	CLAMP-HOSE,50-70MM,SS	
17	E502073	-	HOSE-SUCT/PRESS,51MM ID,10BAR [BULK: 0.70 METER]	
18	E558796	1	BRACKET WLDMT-FILL PUMP,3/4x50	
19	E560203	1	PUMP/GENERATOR-3.5HP (200A-3BS)	SEE PAGE 16-4
20	E700007	-	OIL-SAE15W/40 [BULK: 0.60 LITER]	

# PUMP/GENERATOR-3.5HP (200A-3BS)

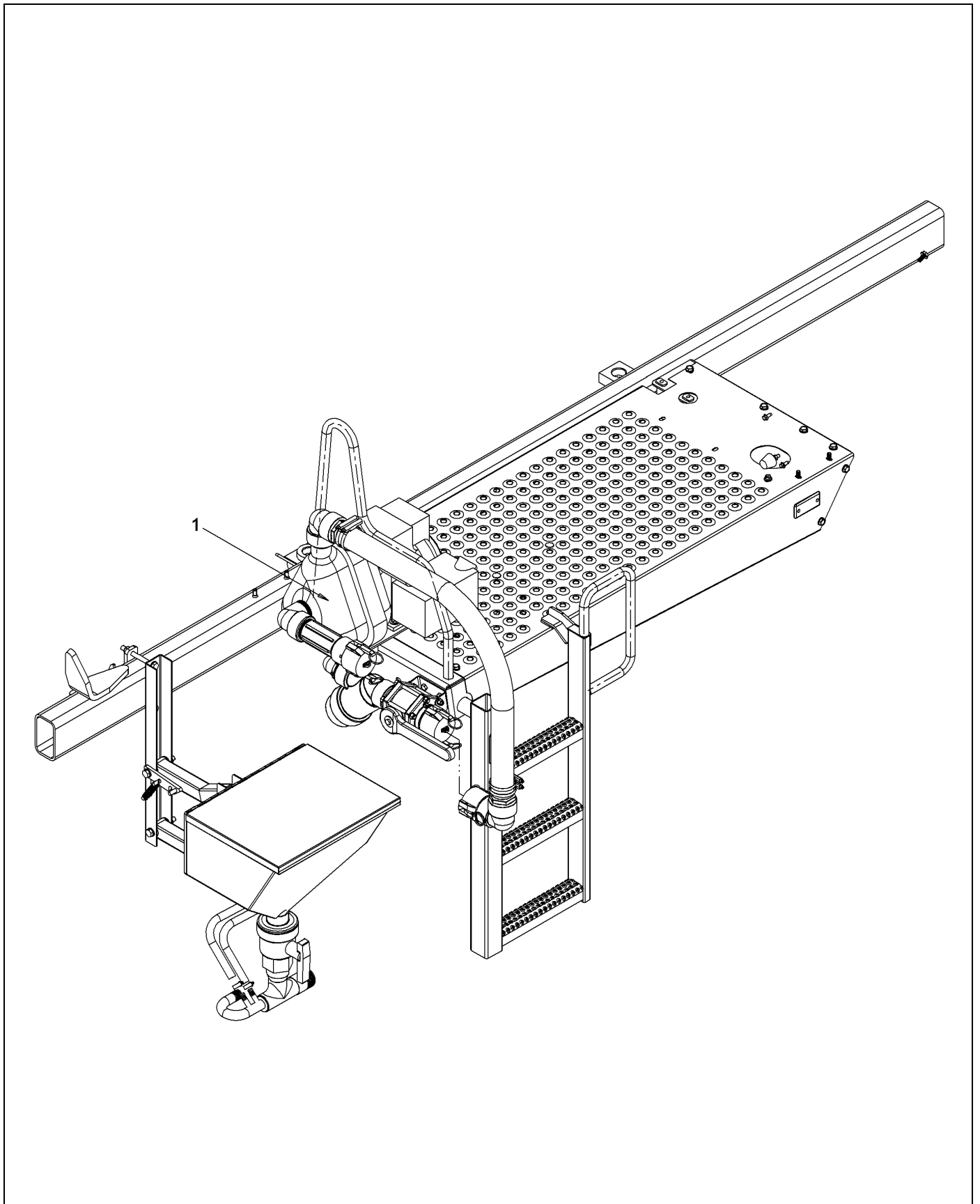


E560203-A-P271-1.tif

# PUMP/GENERATOR-3.5HP (200A-3BS)

ITEM	PART #	QTY	DESCRIPTION	COMMENTS
1	AG615653	1	PLUG-FILLER,POLYESTER	
3	AG615654	1	ORING-FILLER PLUG,EPDM	
5	AG615655	10	NUT-1/4-20,SS	
7	AG615656	4	BOLT-5/16-24X1.125IN,SS	
8	AG615657	4	ORING-SCREW PLUG, EPDM	
9	AG615658	4	PLUG-SCREW,POLYESTER	
10	AG615659	1	KEY-3/16 SQ.X5/16,SS	
12	AG615660	1	ORING-SEGMENT,EPDM	
13	AG615661	1	IMPELLER-POLYESTER,5VANE	
14	AG615670	4	RB 615662 ORING-BRACKET SCREW,EPDM	
14	AG615662	1	ORING-IMPELLER SCREW,EPDM	
15	AG615663	1	BOLT-IMPELLER,5/16-24X7.5IN,SS	
16	AG615664	7	BOLT-VOLUTE,#10X.75,SS	
17	AG615665	1	ORING-DRAIN PLUG,EPDM	
18	AG615666	1	PLUG-DRAIN,POLYESTER	
20	AG615667	10	BOLT-1/4-20X2-3/8,SS	
21	AG615668	1	SHIM-IMPELLER,.006IN,SS	
22	AG615669	1	SEAL-SHAFT,EPDM	
23	AG615671	1	ORING-BODY,EPDM	
25	AG615669	0	SEAL-SHAFT,EPDM	
26	AG615672	1	ORING-SHAFT SEAL,EPDM	
27	AG615673	1	VALVE-CHECK,EPDM	
28	AG615674	1	ORING-REAR VOLUTE,EPDM	
30	AG615675	1	PUMP-CENTRIFUGAL,AEB2WB	
31	AG615676	1	ENGINE-PETROL,3.5HP	
32	AG615677	1	ELEMENT-FILTER,FUEL (615676)	
33	AG615678	1	ELEMENT-FILTER,AIR (615676)	
34	AG615679	1	SHIM-IMPELLER,.015IN,SS	
35	AG615680	1	SHIM-IMPELLER,.030IN,SS	
	FOOTNOTE		ITEMS 4, 11, 19 AND 29 CANNOT BE PURCHASED INDIVIDUALLY, BUT ARE INCLUDED IN THE ENTIRE PUMP UNIT E560203 OR IN THE PUMP AG615675 ITSELF.	
	FOOTNOTE		ITEM 30 IS THE PUMP WITHOUT THE ENGINE.	
	FOOTNOTE		ITEM 31 IS THE ENGINE WITHOUT THE PUMP.	

# PLUMBING INSTL-FILLING PUMP



613392-B-01.TIF

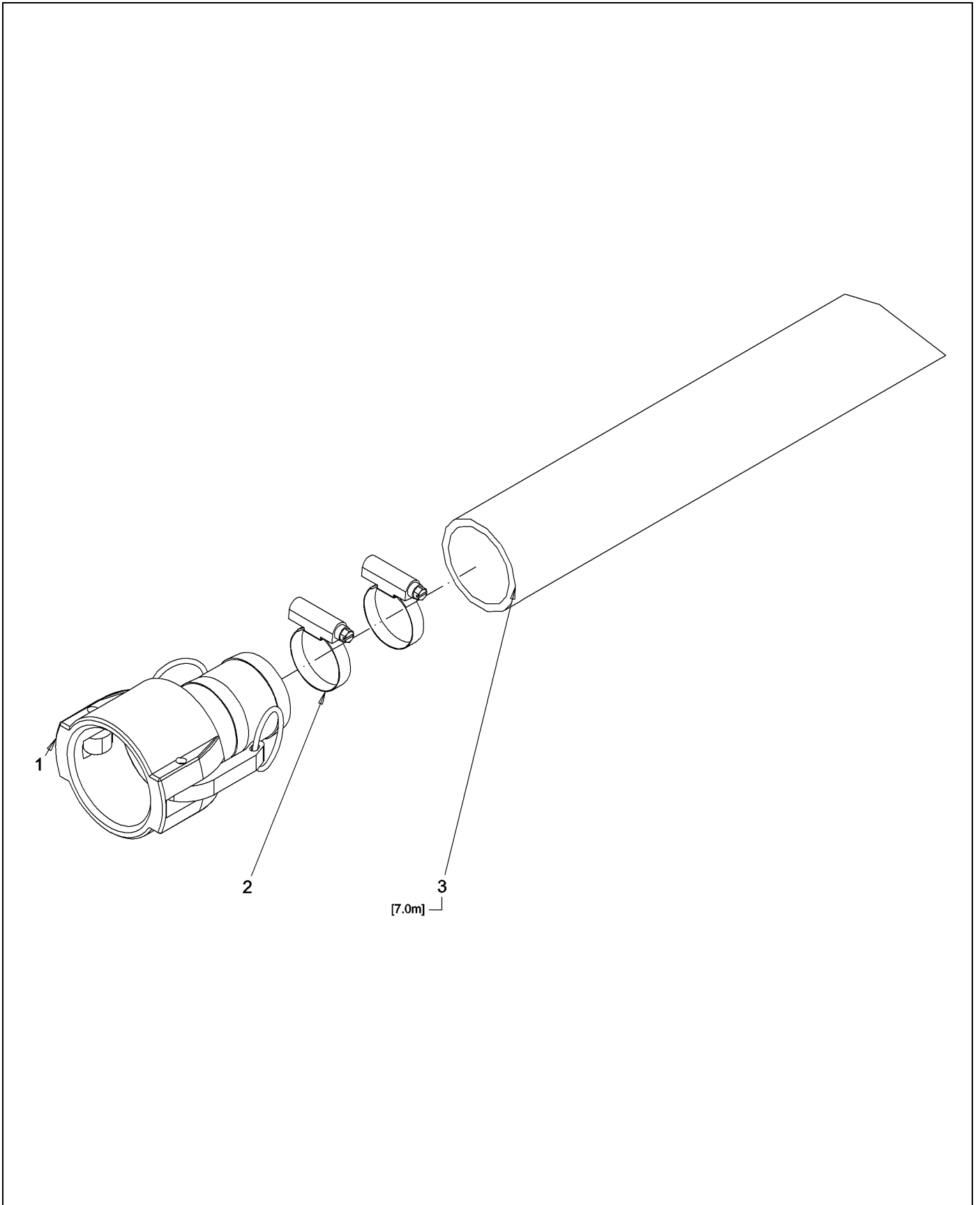


# PLUMBING INSTL-FILLING PUMP

---

ITEM	PART #	QTY	DESCRIPTION	COMMENTS
1	E558778	1	PUMP ASM-FILLING,SC3x50/4x50	SEE PAGE 16-3

HOSE ASM-SUCTION,2.0INX7.0M

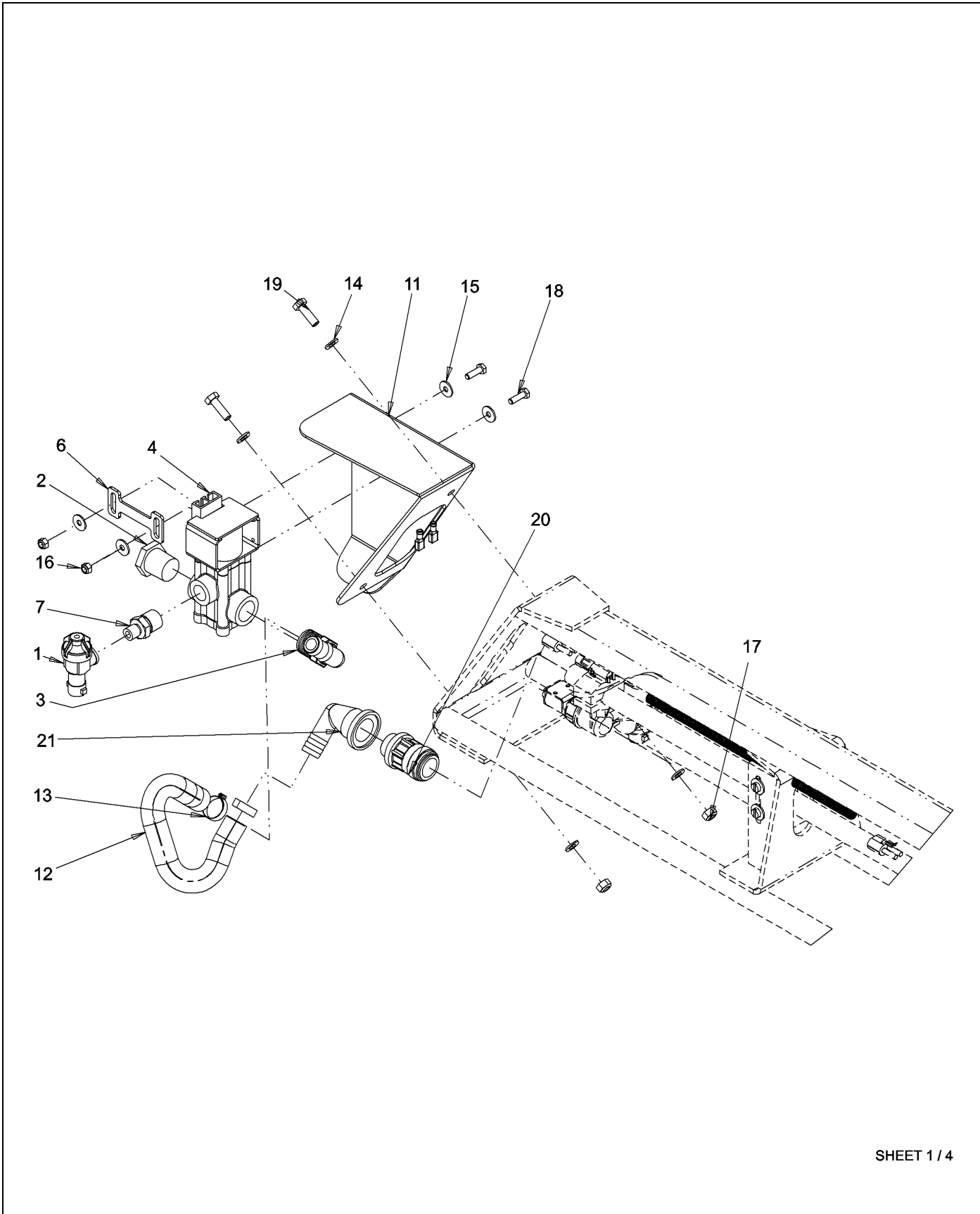


611674-B-01.TIF

# HOSE ASM-SUCTION,2.0INX7.0M

ITEM	PART #	QTY	DESCRIPTION	COMMENTS
1	AG000817	1	ADAPTER-CAMLOCK 2.0BARB,FE	
2	E500061	2	CLAMP-HOSE,40-60MM,SS	
3	E502073	-	HOSE-SUCT/PRESS,51MM ID,10BAR [BULK: 7.00 METER]	

# NOZZLE INSTL-ENDROW,SC3/4/7X50



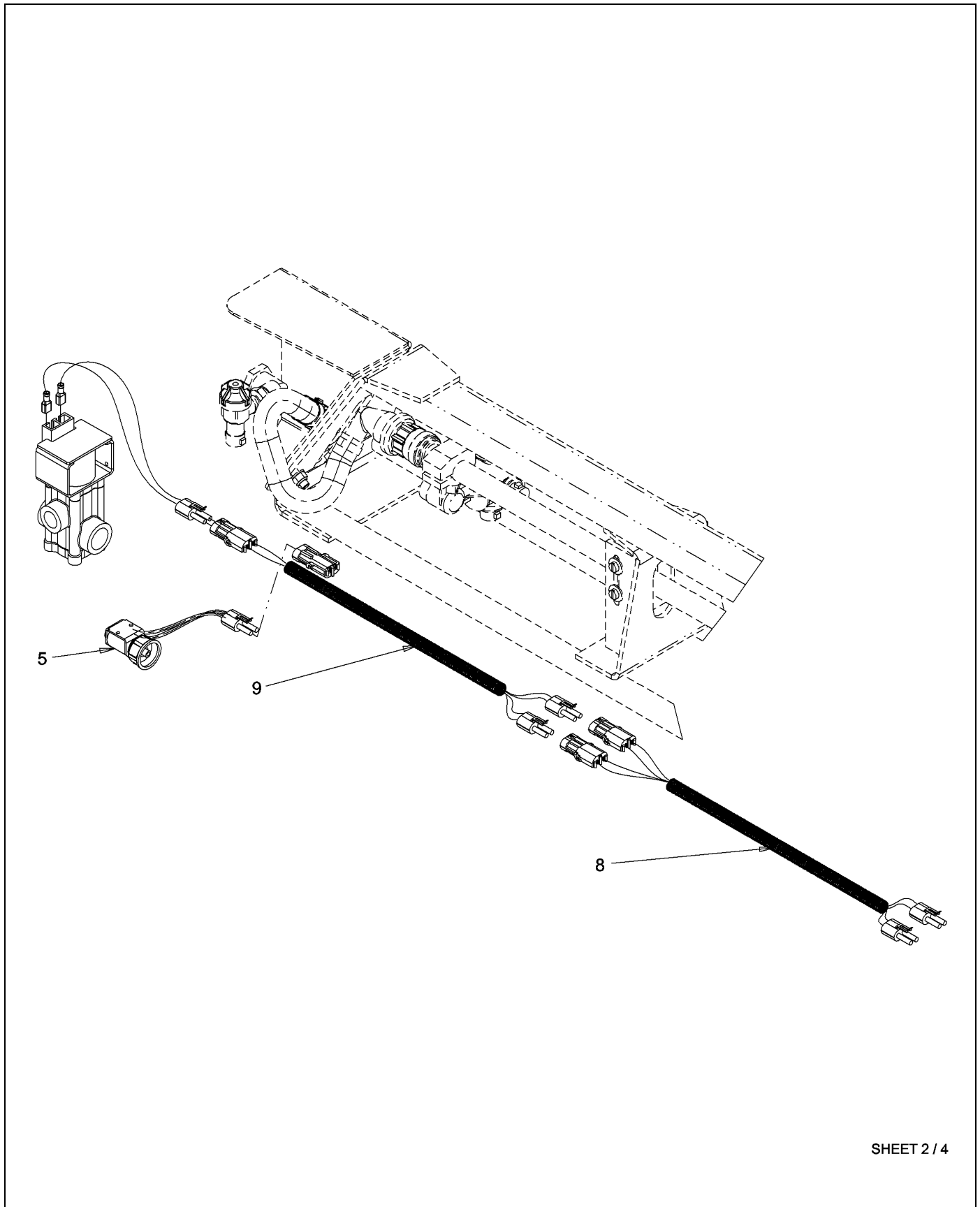
SHEET 1 / 4

611591-A-01.TIF

# NOZZLE INSTL-ENDROW,SC3/4/7X50

ITEM	PART #	QTY	DESCRIPTION	COMMENTS
1	AG006616	2	VALVE-CHECK,1/4IN INLET	
2	AG051134	2	PLUG-PIPE,0.75MNPT,PP	
3	AG051142	2	HOSE BARB-90DEG,.75MNPTX.75,PP	
4	AG052262	2	VALVE-ELEC,144A	
6	AG260473	2	STRAP-MTG,VALVE	
7	AG562782	2	NIPPLE-RDCR,1/2X1/4M THD,316SS	
11	AG614504	1	BRACKET-MTG,END ROW NOZZLE,LH	
12	AG615577	2	HOSE-CHEM,16ID X400MM	
13	AG691071	4	CLAMP-HOSE,25-26.5MM,SS	
14	E100013	8	WASHER-M8,,ISO7089	
15	E100024	8	WASHER-M6,,ISO7093	
16	E100036	4	NUT-M6,8,,DIN985	
17	E100037	4	NUT-M8,8,,ISO7040	
18	E100103	4	BOLT-M6X20,8.8,,ISO4017	
19	E100118	4	BOLT-M8X25,8.8,,ISO4017	
20	E200029	2	ADAPTER-STR,AUTOLO,22MMX3/MBSP	
21	E200033	2	HOSE BARB-90DEG,3/4FBSPX20MM	

# NOZZLE INSTL-ENDROW,SC3/4/7X50



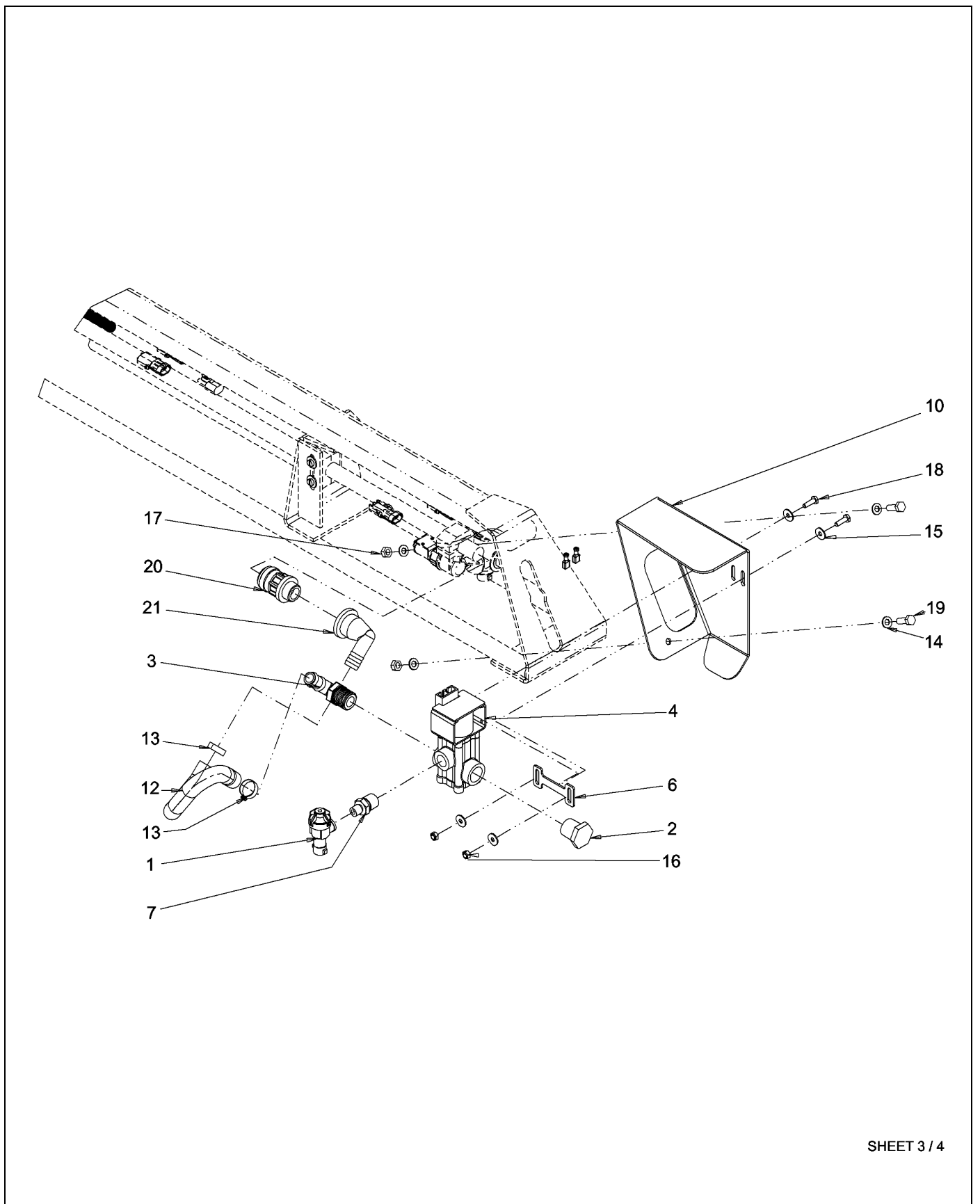
SHEET 2 / 4

611591-A-02.TIF

# NOZZLE INSTL-ENDROW,SC3/4/7X50

ITEM	PART #	QTY	DESCRIPTION	COMMENTS
5	AG129947	2	VALVE-SOL, NOZ BODY, ARAG, 150 PSI	
8	AG613443	2	HARNES-ENDROW NOZZLE,24M	
9	AG613444	2	HARNES-EXTENSION,ENDROW NOZ	[A]
	FOOTNOTE [A]		ONLY FOR 30 METER BOOM.	

# NOZZLE INSTL-ENDROW,SC3/4/7X50



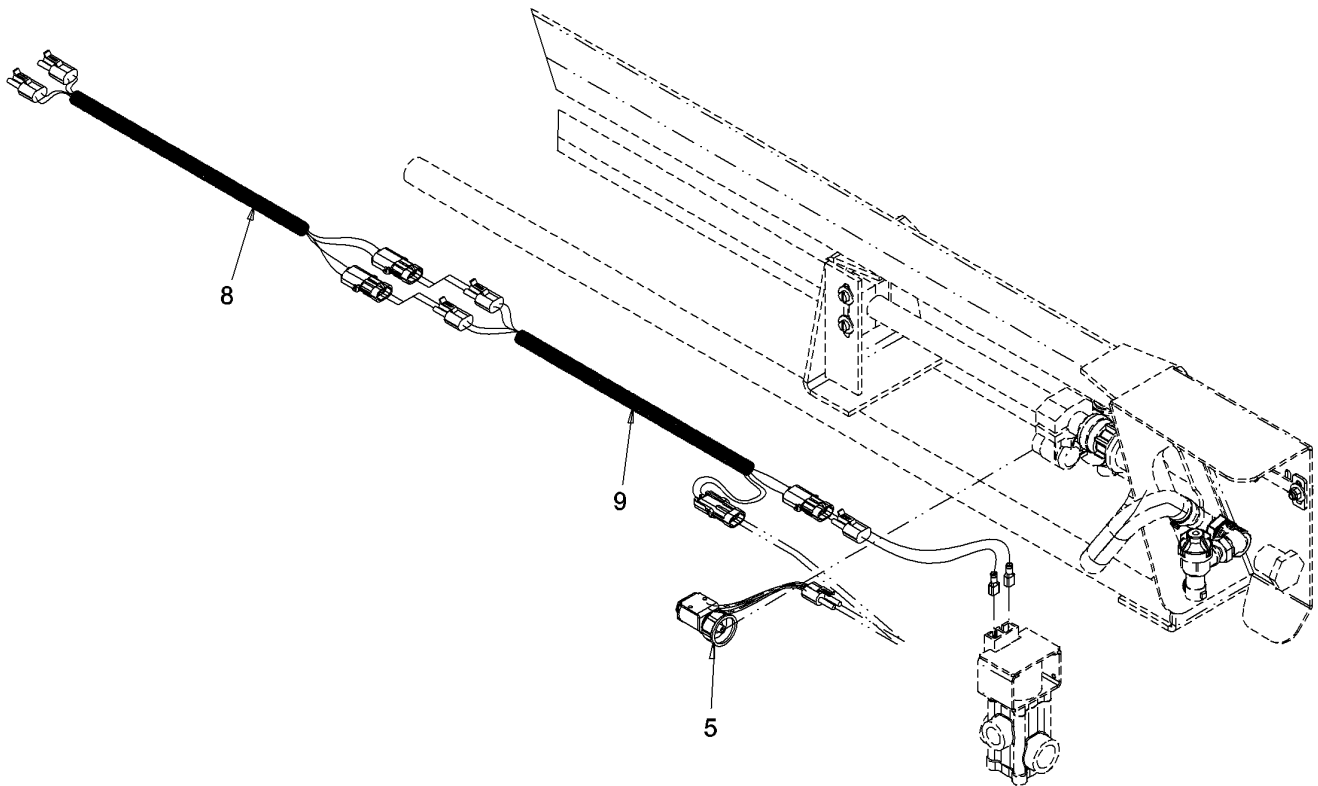
SHEET 3 / 4

611591-A-03.TIF



# NOZZLE INSTL-ENDROW,SC3/4/7X50

ITEM	PART #	QTY	DESCRIPTION	COMMENTS
1	AG006616	2	VALVE-CHECK,1/4IN INLET	
2	AG051134	2	PLUG-PIPE,0.75MNPT,PP	
3	AG051142	2	HOSE BARB-90DEG,.75MNPTX.75,PP	
4	AG052262	2	VALVE-ELEC,144A	
6	AG260473	2	STRAP-MTG,VALVE	
7	AG562782	2	NIPPLE-RDCR,1/2X1/4M THD,316SS	
10	AG613968	1	BRACKET-MTG,END ROW NOZZLE,RH	
12	AG615577	2	HOSE-CHEM,16ID X400MM	
13	AG691071	4	CLAMP-HOSE,25-26.5MM,SS	
14	E100013	8	WASHER-M8,,ISO7089	
15	E100024	8	WASHER-M6,,ISO7093	
16	E100036	4	NUT-M6,8,,DIN985	
17	E100037	4	NUT-M8,8,,ISO7040	
18	E100103	4	BOLT-M6X20,8.8,,ISO4017	
19	E100118	4	BOLT-M8X25,8.8,,ISO4017	
20	E200029	2	ADAPTER-STR,AUTOLO,22MMX3/MBSP	
21	E200033	2	HOSE BARB-90DEG,3/4FBSPX20MM	



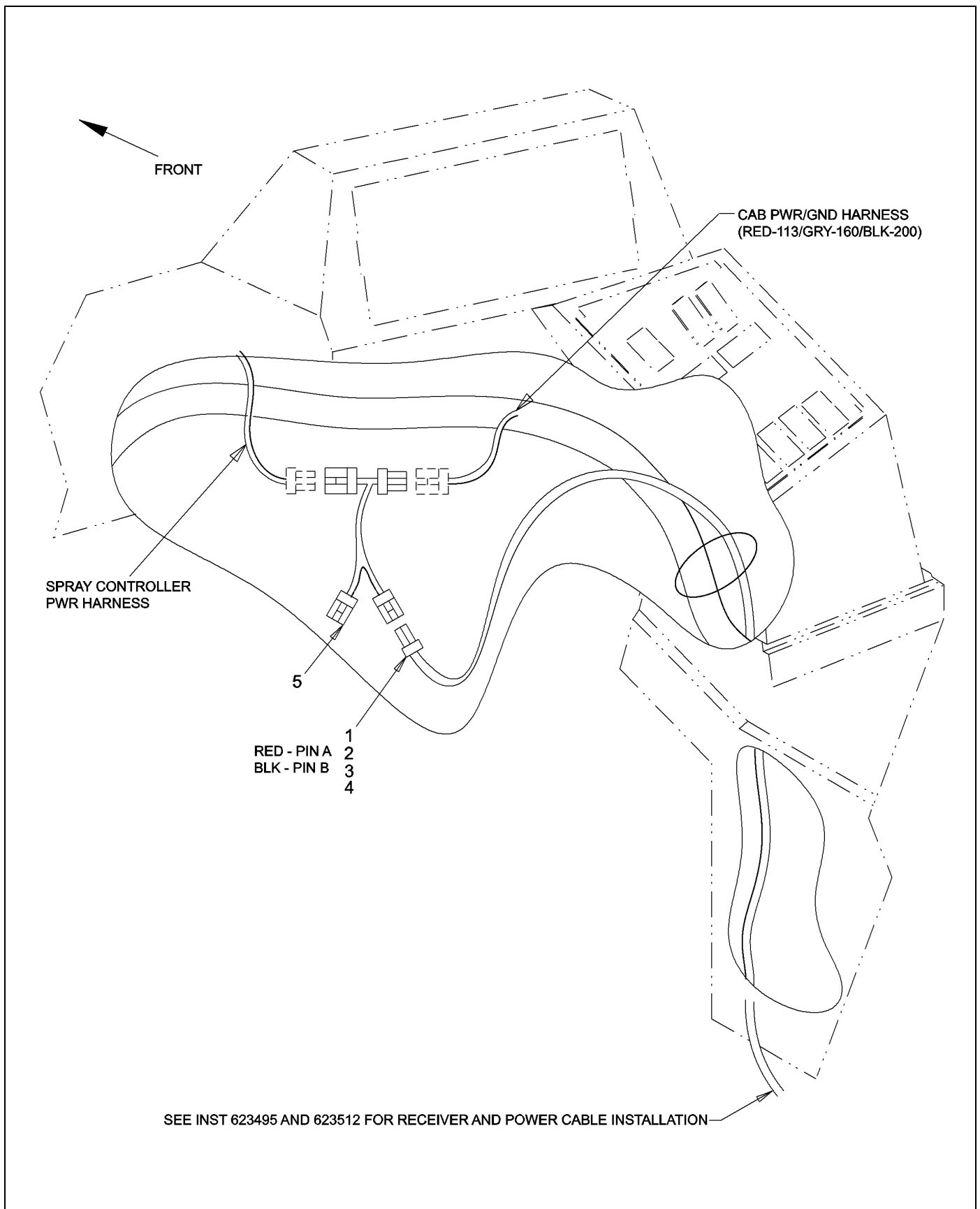
SHEET 4 / 4

611591-A-04.TIF

# NOZZLE INSTL-ENDROW,SC3/4/7X50

ITEM	PART #	QTY	DESCRIPTION	COMMENTS
5	AG129947	2	VALVE-SOL, NOZ BODY, ARAG, 150 PSI	
8	AG613443	2	HARNES-ENDROW NOZZLE,24M	
9	AG613444	2	HARNES-EXTENSION,ENDROW NOZ	[A]
	FOOTNOTE [A]		ONLY FOR 30 METER BOOM.	

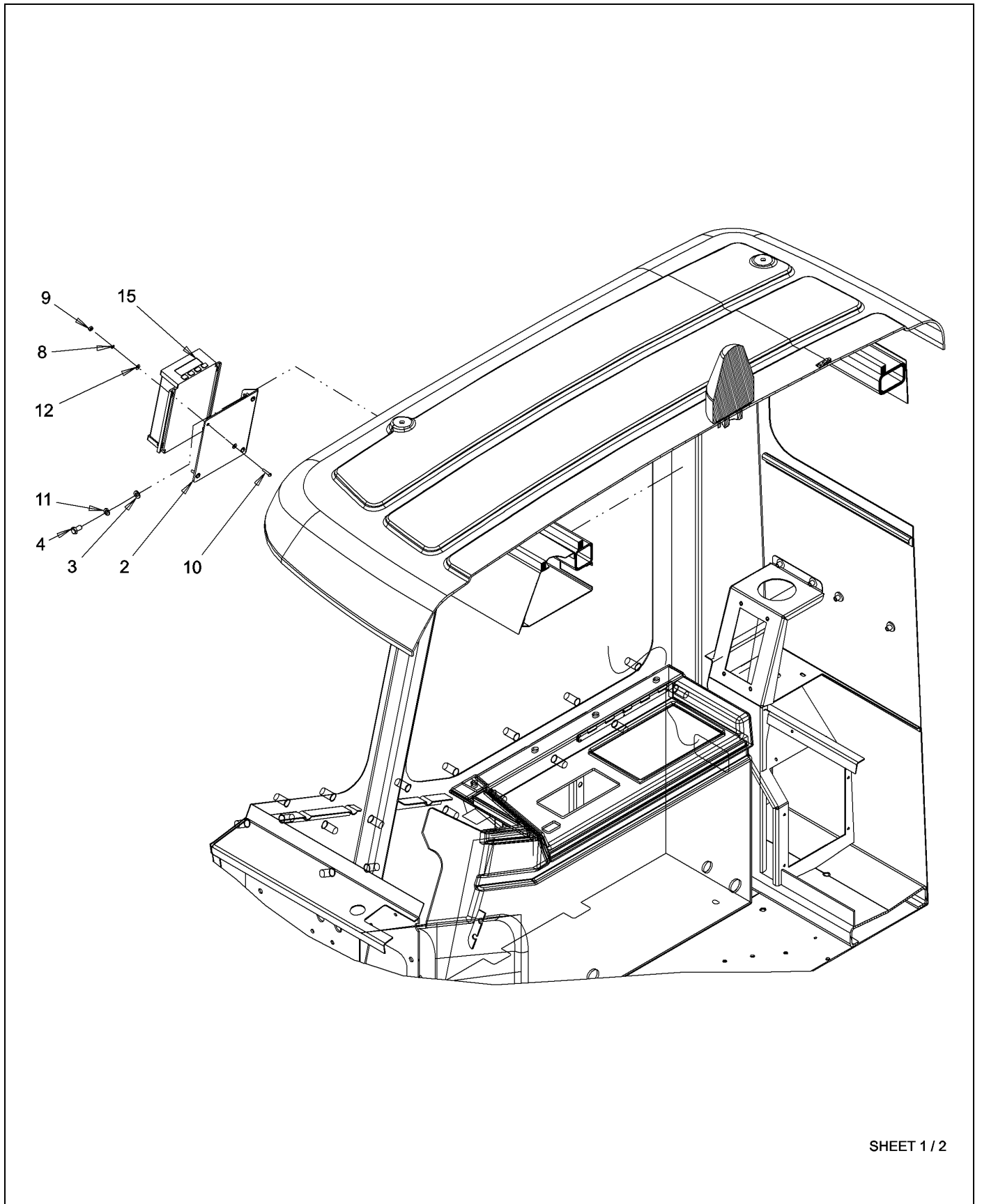
# ELECTRICAL INSTL-RECEIVER,SC4XXX



623766-A-01.TIF

# ELECTRICAL INSTL-RECEIVER,SC4XXX

ITEM	PART #	QTY	DESCRIPTION	COMMENTS
1	AG517591	2	TERM METRI-PACK F150/16-18 GA	
2	AG517594	2	SEAL CABLE METRI-PACK 150 RED	
3	AG517597	1	CONNECTOR FE 2 WAY 150 SEALED	
4	AG520264	1	LOCK-METRIPACK,150/2 WAY	
5	WR38800	1	WIRE ASSY-GPS RECEIVER PNR	



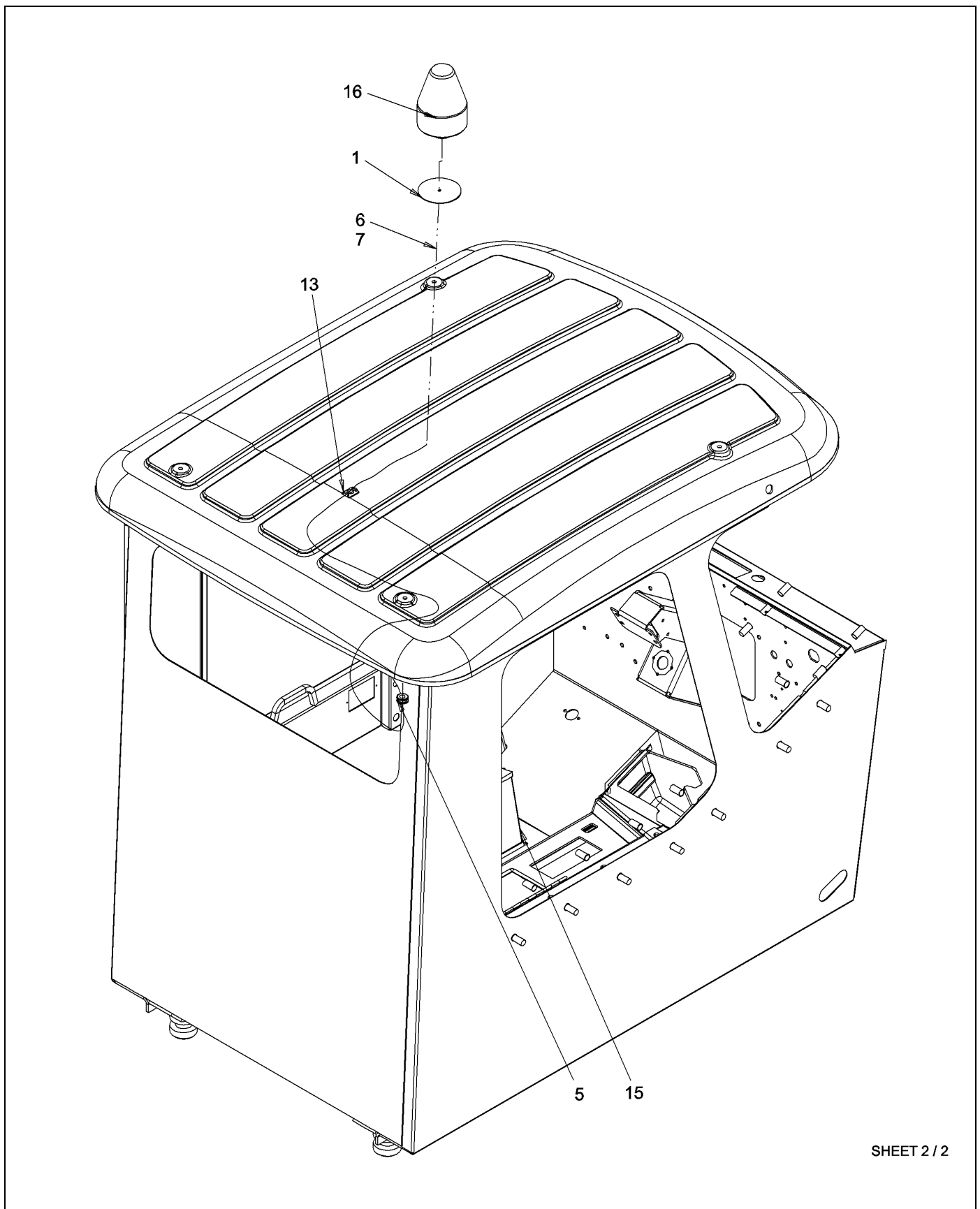
SHEET 1 / 2

623512-B-01.TIF

# RECEIVER INSTL-PHOENIX 300,RAV

ITEM	PART #	QTY	DESCRIPTION	COMMENTS
2	WR129240	1	BRKT-MTG,RCVR,GPS	
3	AG520880	2	WASHER-M8,,ISO70899	
4	AG521363	2	BOLT-M8X16,,SS,ISO4017	
8	AG550914	4	WASHER-LOCK,#8,ZN,REG	
9	AG550922	4	NUT-8-32,NC,HEX,ZN,REG	
10	AG550930	4	8-32 X 3/4 SLOT ROUND MACHINE SCREW STE	
11	AG561679	2	WASHER-M8,,LOCK	
12	AG562196	8	RING	
14	514824D1	1	KIT-GPS,PHOENIX 300	SEE PAGE 16-14
15	514825D1	0	RECEIVER GPS,PHOENIX 300	

# RECEIVER INSTL-PHOENIX 300,RAV



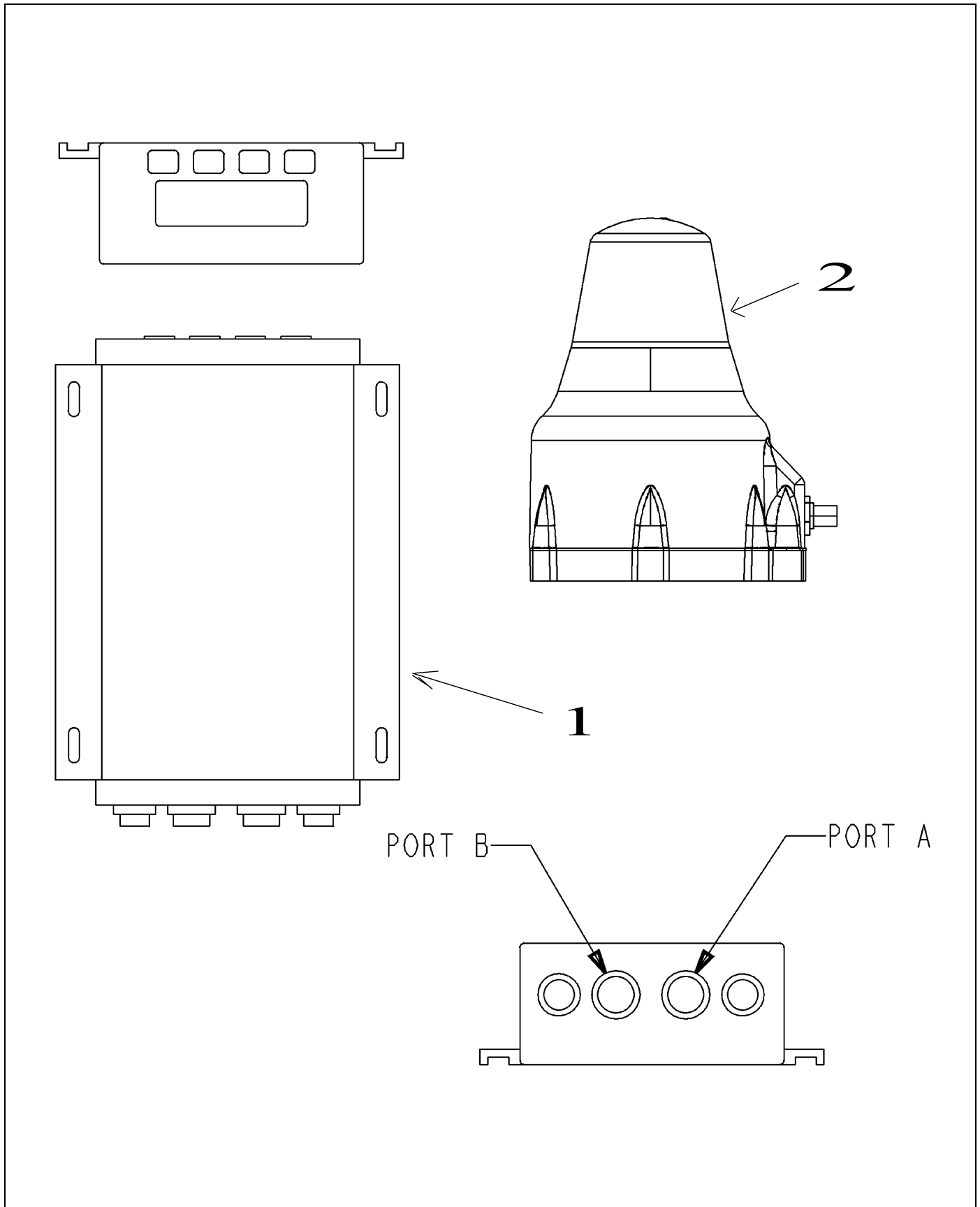
SHEET 2 / 2

623512-B-02.TIF



# RECEIVER INSTL-PHOENIX 300,RAV

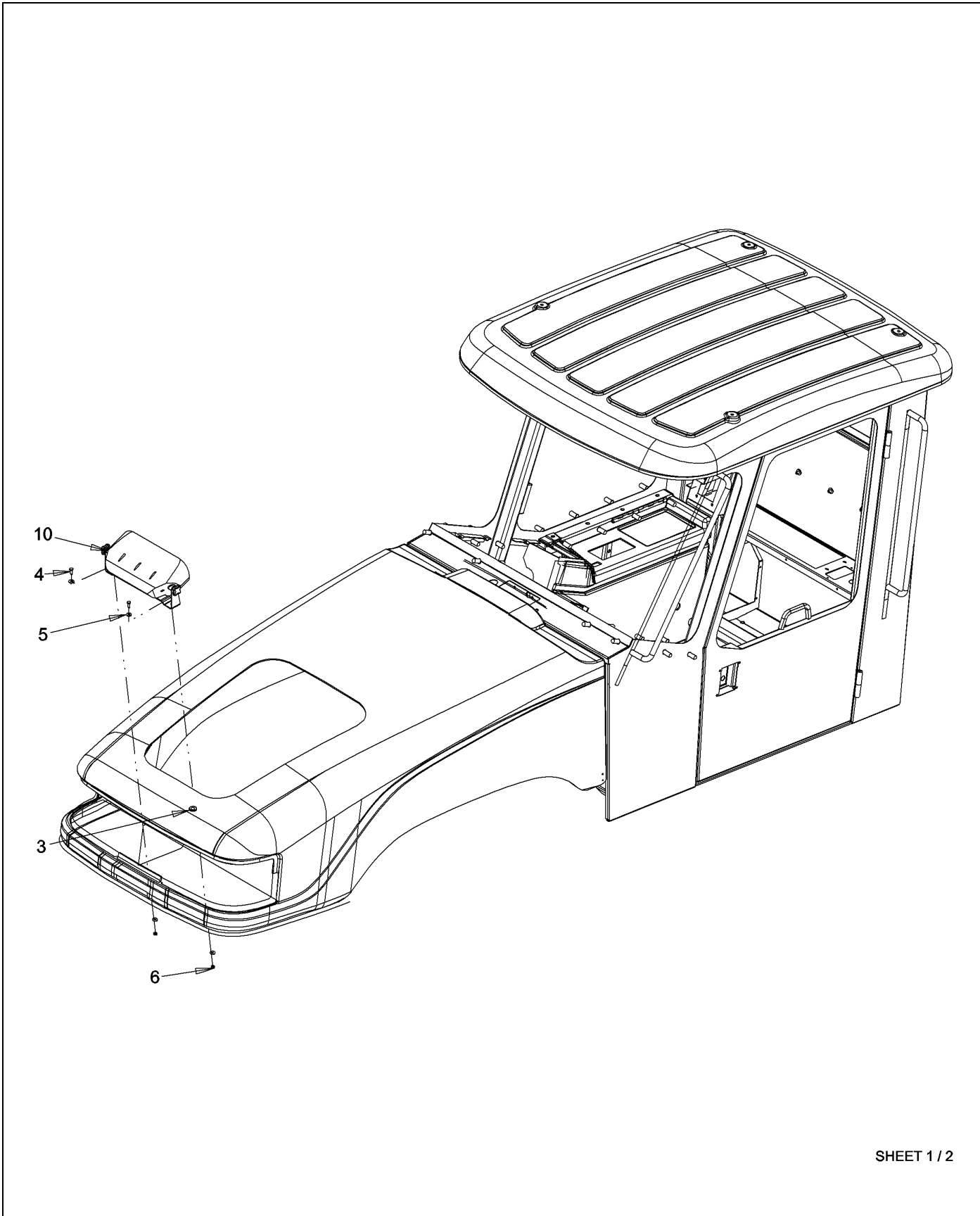
ITEM	PART #	QTY	DESCRIPTION	COMMENTS
1	AG120615	1	DISC-MTG,ANTENNA,GPS	
5	AG522907	1	GROMMET-RUBBER	
6	AG523200	1	PRIMER-ADHESIVE,TAPE	
7	AG523201	1	TAPE-ADHESIVE,4.00,HIGH BOND	
13	AG562938	1	CABLE CLIP .50 ADH BACK SVR MT	
15	514825D1	0	RECEIVER GPS,PHOENIX 300	
16	514826D1	0	ANTENNA-GPS,PHOENIX 300	



514824D1-01-N884-02.TIF

# KIT-GPS,PHOENIX 300

ITEM	PART #	QTY	DESCRIPTION	COMMENTS
REF	AG610620	1	CABLE-ANTENNA,15FT (523335)	
REF	514827D1	1	MANUAL-GPS,PHOENIX 300	
REF	AG610624	1	CABLE-POWER,RCVR (523353)	
REF	AG058428	1	CABLE PC INTERFACE 210 M/S	
REF	AG123946	1	CABLE-DATA,7 FT	
1	514825D1	1	RECEIVER-GPS,PHOENIX 300	
2	514826D1	1	ANTENNA-GPS,PHOENIX 300	
	FOOTNOTE		REFERENCE S.B.#0716	

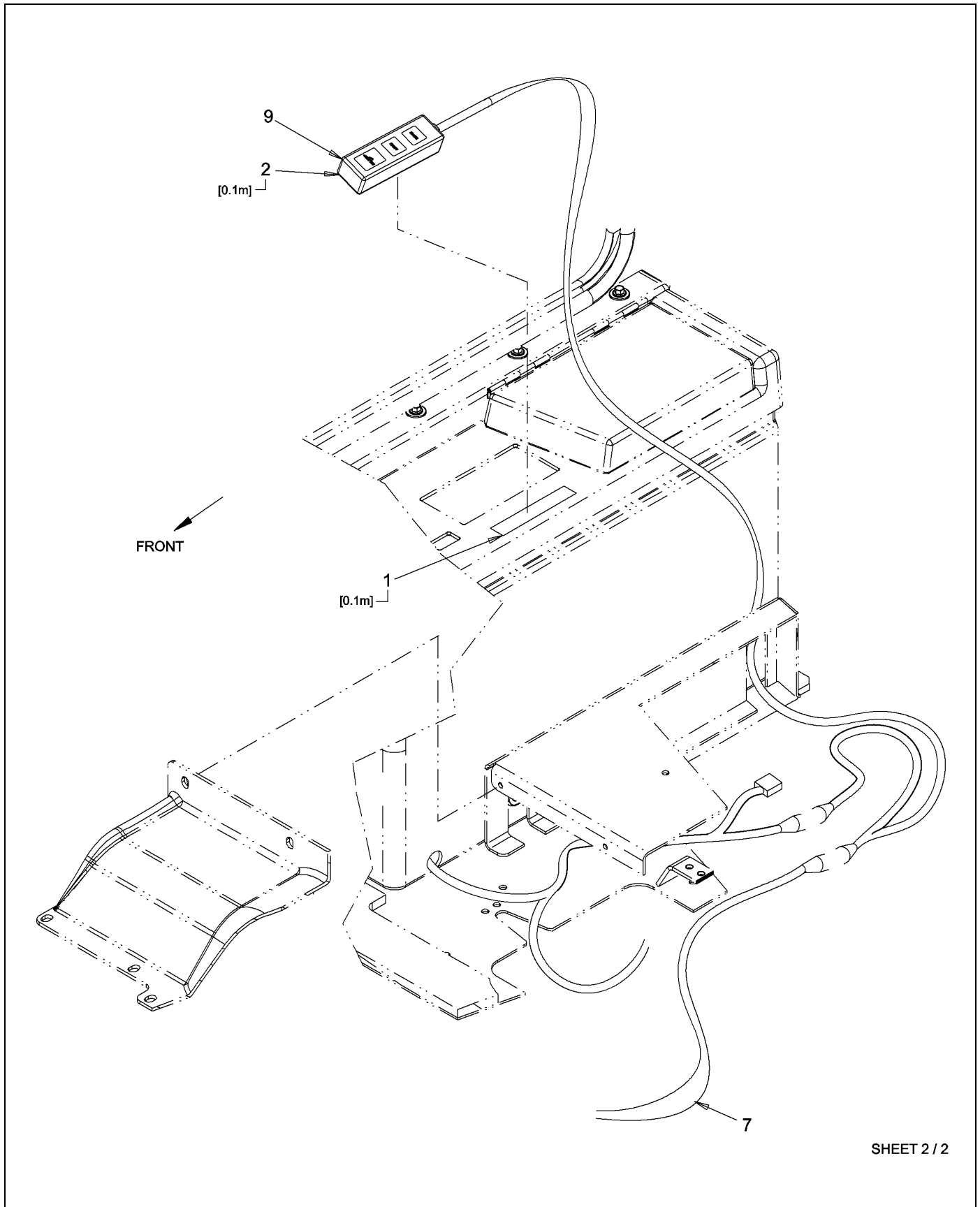


SHEET 1 / 2

623495-B-01.TIF

# LIGHTBAR INSTL-RGL600,SC4XXX

ITEM	PART #	QTY	DESCRIPTION	COMMENTS
3	AG522907	1	GROMMET-RUBBER	
4	AG550485	2	BOLT-.25-20UNCX.75,5,,ISO4017	
5	AG550507	4	WASHER-FLAT,.25,ZN,REG,TYPE B	
6	AG604216	2	NUT 0.25-20NC ZN LGT HEX NY IN	
8	517815D1	1	KIT-LIGHTBAR,RGL 600	SEE PAGE 16-17
10	517817D1	0	LIGHTBAR-RGL 600	

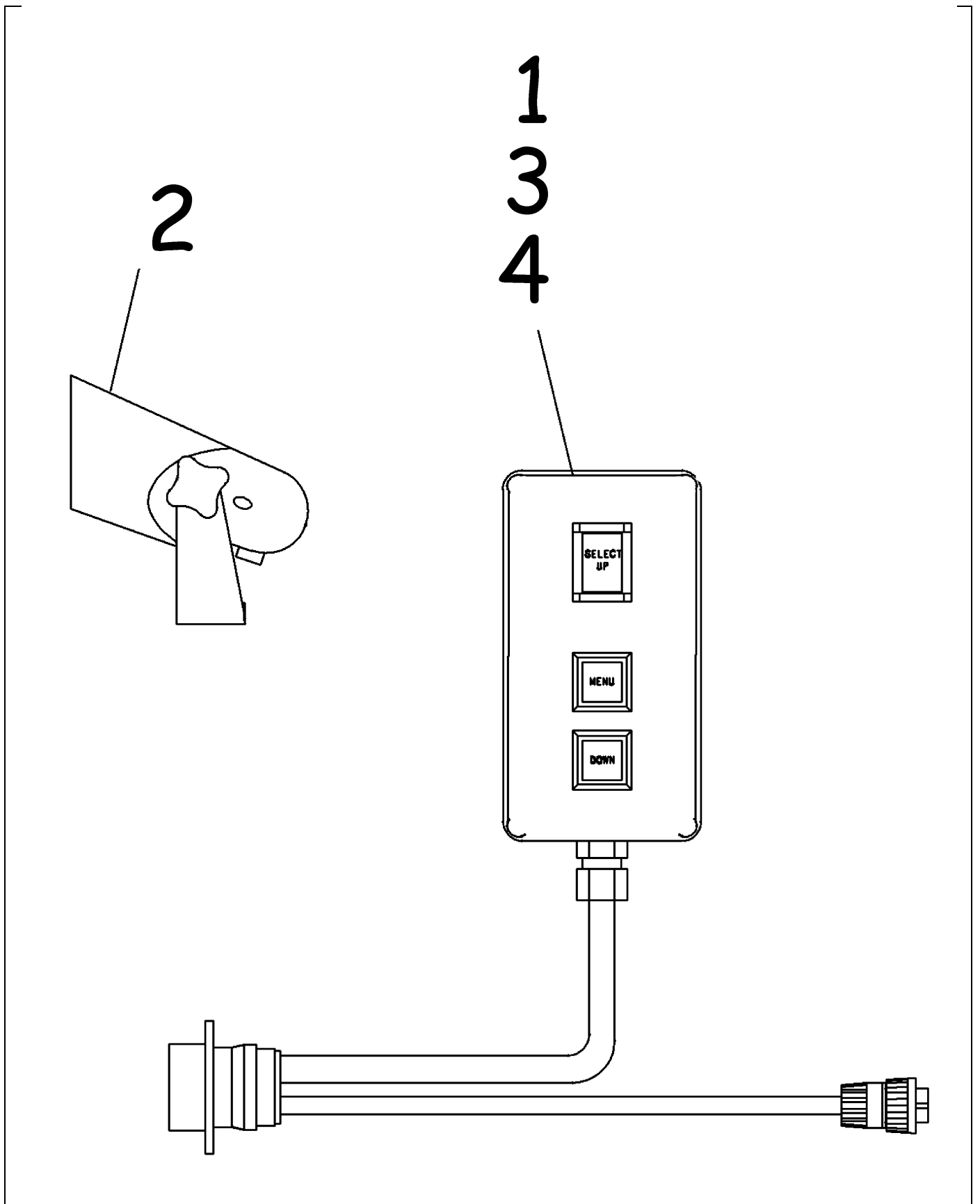


SHEET 2 / 2

623495-B-02.TIF

# LIGHTBAR INSTL-RGL600,SC4XXX

ITEM	PART #	QTY	DESCRIPTION	COMMENTS
1	AG515927	-	FASTNR VELCRO HOOK BLK 1X25YDS [BULK: 10.00 CM]	
2	AG515928	-	FASTNR VELCRO LOOP BLK 1X25YDS [BULK: 10.00 CM]	
7	AG610787	0	CABLE-LIGHTBAR,28 FT	
9	AG610788	0	BOX-BUTTON,LIGHTBAR	



517815D1-01-N828-.TIF



# KIT-LIGHTBAR,RGL 600

ITEM	PART #	QTY	DESCRIPTION	COMMENTS
REF	AG610792	-	MANUAL-LIGHTBAR,RGL 600	
1	517816D1	-	CABLE-ADAPTER,CONXALL TO DB9	
2	517817D1	1	LIGHTBAR-RGL 600	
3	AG610787	-	CABLE-LIGHTBAR,28 FT	
4	AG610788	1	BOX-BUTTON,LIGHTBAR	

# NUMERIC INDEX

501103D1	15-21	6597935	9-2	71389158	15-21
504440D1	3-2	6597936	9-2	72528122DU	15-4
504440D1	3-3	6597939	9-2	72528122FR	15-12
50955-DU	15-4	6597940	9-2	AG000766	10-2
50955-FR	15-12	6597954DU	15-9	AG000766	10-6
511086D1	15-23	6597954FR	15-17	AG000767	12-3
511096D1	10-1	6597958DU	15-5	AG000767	16-3
511096D1	10-5	6618836	5-1	AG000812	16-3
511096D1	15-21	6620015	15-29	AG000813	1-14
511108D1	15-22	6625602DU	15-3	AG000814	1-15
511108D1	15-23	6625605DU	15-6	AG000814	16-3
511108D1	15-29	6625605FR	15-14	AG000817	16-6
511128D1	15-21	6626401	6-9	AG000825	1-14
511144D1	15-21	6626787DU	15-8	AG000826	1-15
511147D1	15-25	6626787FR	15-16	AG000826	16-3
511206D1	15-21	6626908FR	15-13	AG000829	16-3
511206D1	15-26	6627020DU	15-5	AG000906	12-5
511208D1	15-21	6628299FR	15-11	AG006616	16-7
511208D1	15-26	6628319FR	15-13	AG006616	16-9
511210D1	15-26	6628320FR	15-14	AG006669	10-8
511413D1	15-28	6628322DU	15-5	AG027275	6-3
511416D1	15-26	6628550DU	15-4	AG050204	12-2
514824D1	16-12	6628550FR	15-12	AG050209	12-2
514825D1	16-12	6647887	9-2	AG050253	10-4
514825D1	16-13	6647887	9-3	AG050253	1-14
514825D1	16-14	6653332	9-2	AG050254	12-3
514826D1	16-13	6653332	9-3	AG050254	16-3
514826D1	16-14	6661253	9-2	AG050273	10-2
514827D1	16-14	6664438	1-11	AG050273	10-6
517815D1	16-15	6664598	6-12	AG050273	1-14
517816D1	16-17	6664598	6-9	AG050276	16-3
517817D1	16-15	6665873	10-8	AG050676	16-3
517817D1	16-17	6668879DU	15-10	AG050688	10-2
519603D1	15-20	6668879FR	15-18	AG050688	10-6
519605D1	15-20	6672043	1-1	AG050689	12-3
519611D1	15-23	6673682	3-2	AG050689	16-3
519660D1	15-26	6673682	3-3	AG051059	10-7
519662D1	15-20	6801418DU	15-10	AG051134	16-7
520095D1	15-20	6801418FR	15-18	AG051134	16-9
520096D1	15-23	6802082DU	15-5	AG051139	10-3
520097D1	15-26	6802082FR	15-13	AG051142	16-7
520098D1	15-23	6802446	9-2	AG051142	16-9
520099D1	15-23	6802447	9-2	AG051142	7-17
520100D1	15-22	6802470DU	15-6	AG051142	7-33
521049D1	15-31	6802470FR	15-14	AG051143	10-12
521050D1	15-31	6802477DU	15-8	AG051143	10-8
521051D1	15-31	6802477FR	15-16	AG051145	10-11
521052D1	15-31	6803310DU	15-6	AG051145	10-7
55545-DU	15-7	6803310FR	15-14	AG051145	12-5
55545-FR	15-15	6804059DU	15-10	AG051151	10-8
55547-DU	15-10	6804059FR	15-18	AG051153	10-11
55547-FR	15-18	6804111DU	15-10	AG051153	10-7
6529638DU	15-10	6804111FR	15-18	AG051161	10-8
6529638FR	15-18	6804165DU	15-3	AG051161	7-17
6568971DU	15-10	6804165FR	15-11	AG051161	7-33
6591956DU	15-5	71379132DU	15-4	AG051163	12-2
6591956FR	15-13	71379132DU	15-5	AG051176	12-2
6595786	10-8	71379132FR	15-12	AG051176	13-1
6597934	9-2	71379132FR	15-13	AG051178	13-1

# NUMERIC INDEX

AG051179	10-8	AG520880	2-6	AG611219	15-10
AG051179	7-17	AG521363	16-12	AG611222	9-3
AG051179	7-33	AG522907	16-13	AG611242	14-2
AG051183	10-11	AG522907	16-15	AG611245	14-2
AG051183	12-5	AG523200	16-13	AG611257	5-10
AG051439	10-2	AG523201	16-13	AG611352	13-3
AG051439	10-6	AG523466	10-1	AG611359	5-7
AG051534	10-2	AG523466	10-5	AG611365	5-9
AG051534	10-4	AG550124	6-9	AG611366	5-7
AG052262	16-7	AG550485	16-15	AG611368	5-4
AG052262	16-9	AG550507	10-12	AG611493	7-1
AG052342	10-11	AG550507	16-15	AG611493	7-3
AG054739	10-7	AG550612	10-12	AG611493	7-4
AG054741	10-3	AG550914	16-12	AG611571	5-10
AG054742	12-3	AG550922	16-12	AG611750	1-3
AG055299	10-6	AG550930	16-12	AG611795	1-6
AG056146	12-3	AG561213	10-7	AG611808	5-4
AG058428	16-14	AG561215	10-9	AG611880	6-3
AG059766	10-8	AG561229	10-7	AG611948	1-4
AG120615	16-13	AG561230	10-2	AG611949	1-5
AG123946	16-14	AG561230	10-6	AG611950	1-5
AG129947	16-10	AG561366	12-2	AG612090	1-5
AG129947	16-8	AG561679	16-12	AG612091	10-1
AG135991	15-20	AG562196	16-12	AG612091	10-5
AG236575	5-2	AG562782	16-7	AG612091	2-20
AG236575	5-5	AG562782	16-9	AG612352	6-12
AG236984	9-3	AG562790	14-1	AG612352	6-9
AG260473	16-7	AG562790	14-2	AG612384	1-7
AG260473	16-9	AG562790	2-1	AG612432	11-1
AG331044	10-7	AG562790	2-3	AG612433	11-1
AG421088	1-12	AG562938	16-13	AG612434	11-1
AG425567	7-2	AG604216	16-15	AG612743	5-2
AG513385	10-7	AG610620	16-14	AG612743	5-5
AG513722	10-4	AG610624	16-14	AG612826	5-4
AG514299	2-19	AG610787	16-16	AG612827	5-4
AG514534	10-8	AG610787	16-17	AG613243	5-6
AG515927	16-16	AG610788	16-16	AG613244	5-5
AG515928	16-16	AG610788	16-17	AG613303	2-20
AG516405	10-11	AG610792	16-17	AG613304	2-20
AG516405	10-7	AG611101	10-1	AG613443	16-10
AG516405	12-5	AG611101	10-5	AG613443	16-8
AG517133	10-3	AG611170	2-10	AG613444	16-10
AG517591	16-11	AG611170	2-11	AG613444	16-8
AG517594	16-11	AG611191	5-4	AG613503	6-17
AG517597	16-11	AG611199	15-9	AG613503	6-19
AG519862	10-2	AG611200	15-18	AG613613	13-1
AG519862	10-6	AG611200	15-33	AG613726	6-12
AG520264	16-11	AG611203	15-10	AG613735	2-12
AG520745	1-10	AG611203	15-18	AG613765	5-14
AG520875	10-1	AG611204	15-18	AG613766	5-4
AG520875	10-4	AG611206	15-17	AG613767	5-4
AG520875	10-5	AG611207	15-14	AG613768	5-6
AG520875	2-4	AG611211	15-18	AG613769	5-6
AG520878	10-1	AG611211	15-33	AG613771	5-14
AG520878	10-4	AG611214	15-10	AG613791	5-4
AG520878	10-5	AG611214	15-32	AG613814	5-14
AG520880	14-2	AG611216	15-10	AG613966	5-8
AG520880	16-12	AG611216	15-32	AG613968	16-9
AG520880	2-24	AG611217	5-14	AG614086	13-1

# NUMERIC INDEX

AG614087	13-1	AG614978	6-19	AG615655	16-4
AG614088	13-1	AG614980	6-17	AG615656	16-4
AG614291	5-15	AG614980	6-19	AG615657	16-4
AG614292	5-15	AG614981	6-19	AG615658	16-4
AG614293	5-15	AG614994	6-5	AG615659	16-4
AG614294	5-15	AG614995	6-4	AG615660	16-4
AG614295	5-15	AG614997	7-17	AG615661	16-4
AG614296	5-15	AG614997	7-25	AG615662	16-4
AG614504	16-7	AG614997	7-33	AG615663	16-4
AG614544	6-14	AG614997	7-41	AG615664	16-4
AG614630	10-12	AG614997	7-9	AG615665	16-4
AG614932	6-5	AG614998	7-12	AG615666	16-4
AG614933	6-4	AG614998	7-14	AG615667	16-4
AG614934	6-5	AG614998	7-16	AG615668	16-4
AG614935	6-4	AG614998	7-18	AG615669	16-4
AG614936	6-7	AG614998	7-20	AG615670	16-4
AG614937	6-6	AG614998	7-22	AG615671	16-4
AG614938	6-7	AG614998	7-23	AG615672	16-4
AG614939	6-6	AG614998	7-24	AG615673	16-4
AG614940	6-7	AG614998	7-26	AG615674	16-4
AG614941	6-6	AG614998	7-27	AG615675	16-4
AG614949	6-15	AG614998	7-28	AG615676	16-4
AG614950	6-15	AG614998	7-6	AG615677	16-4
AG614951	6-16	AG614998	7-8	AG615678	16-4
AG614952	6-16	AG614999	7-10	AG615679	16-4
AG614953	6-16	AG614999	7-16	AG615680	16-4
AG614954	6-16	AG614999	7-24	AG615908	5-10
AG614955	6-16	AG614999	7-26	AG615909	5-10
AG614956	6-16	AG614999	7-30	AG615910	5-10
AG614957	6-16	AG614999	7-32	AG615911	5-10
AG614958	6-16	AG614999	7-36	AG615979	12-2
AG614959	6-16	AG614999	7-38	AG616242	2-22
AG614960	6-16	AG614999	7-40	AG616813	6-14
AG614961	6-16	AG614999	7-42	AG617442	6-14
AG614962	6-16	AG614999	7-44	AG618537	1-10
AG614964	6-17	AG614999	7-8	AG621093	13-1
AG614964	6-19	AG615001	7-32	AG621217	2-25
AG614966	6-17	AG615001	7-39	AG621217	2-26
AG614966	6-19	AG615001	7-40	AG621217	2-7
AG614967	6-17	AG615001	7-42	AG621217	2-8
AG614968	6-12	AG615001	7-43	AG621218	2-23
AG614968	6-9	AG615002	7-11	AG621358	13-2
AG614969	6-10	AG615002	7-15	AG621432	16-1
AG614969	6-13	AG615002	7-19	AG621433	16-1
AG614970	6-18	AG615002	7-31	AG621513	1-8
AG614970	6-20	AG615002	7-35	AG621580	6-3
AG614971	6-18	AG615002	7-7	AG621615	4-2
AG614971	6-20	AG615003	7-39	AG621615	4-3
AG614972	6-18	AG615003	7-43	AG621617	4-5
AG614972	6-20	AG615016	6-12	AG621617	4-6
AG614973	6-18	AG615577	16-7	AG622098	2-14
AG614973	6-20	AG615577	16-9	AG622570	11-2
AG614974	6-18	AG615644	5-3	AG622571	11-2
AG614974	6-20	AG615645	5-3	AG622721	2-23
AG614975	6-18	AG615646	5-3	AG622746	2-6
AG614975	6-20	AG615647	5-3	AG622747	2-6
AG614977	6-17	AG615648	5-3	AG622780	2-21
AG614977	6-19	AG615653	16-4	AG622781	2-24
AG614978	6-17	AG615654	16-4	AG622794	2-24

# NUMERIC INDEX

AG622986	4-1	AG691071	7-30	E100012	5-15
AG622992	4-1	AG691071	7-31	E100012	5-8
AG623006	4-4	AG691071	7-32	E100013	10-1
AG623007	4-4	AG691071	7-33	E100013	10-5
AG623010	3-1	AG691071	7-34	E100013	13-3
AG623011	3-1	AG691071	7-35	E100013	16-2
AG623013	4-10	AG691071	7-36	E100013	16-7
AG623015	4-13	AG691071	7-38	E100013	16-9
AG623016	4-13	AG691071	7-39	E100013	2-10
AG623017	4-10	AG691071	7-40	E100013	2-11
AG623019	4-11	AG691071	7-41	E100013	2-7
AG623019	4-12	AG691071	7-42	E100013	2-8
AG623019	4-14	AG691071	7-43	E100013	6-12
AG623019	4-15	AG691071	7-6	E100014	13-1
AG623045	13-2	AG691071	7-7	E100014	1-4
AG623048	13-1	AG691071	7-8	E100015	1-2
AG624092	4-7	AG691071	7-9	E100015	12-2
AG624093	4-7	AG691216	16-1	E100015	5-2
AG624094	4-8	AG691255	7-10	E100015	6-12
AG624094	4-9	AG691255	7-16	E100015	6-9
AG624159	14-4	AG691255	7-18	E100016	1-12
AG624160	14-4	AG691255	7-24	E100016	5-4
AG624161	14-3	AG691255	7-26	E100017	6-12
AG680334	14-1	AG691255	7-32	E100017	6-9
AG680334	14-2	AG691255	7-34	E100021	6-17
AG680430	13-1	AG691255	7-40	E100021	6-19
AG680762	13-1	AG691255	7-42	E100023	5-2
AG680766	13-1	AG691255	7-8	E100023	6-17
AG680871	4-2	AG691271	5-12	E100023	6-19
AG680871	4-3	AG691431	6-18	E100024	16-7
AG690000	10-1	AG691431	6-20	E100024	16-9
AG690000	10-5	AG691432	6-18	E100024	2-1
AG690001	10-1	AG691432	6-20	E100024	2-21
AG690001	10-5	AG691433	6-18	E100024	2-25
AG690005	10-2	AG691433	6-20	E100024	2-26
AG690005	10-6	AG691684	4-5	E100024	2-3
AG690006	13-1	AG691684	4-6	E100024	2-4
AG690007	10-7	CH131-3540	14-2	E100024	5-8
AG690085	5-4	CH131-3540	2-24	E100024	6-1
AG691064	11-1	CH131-3540	2-6	E100024	6-2
AG691071	16-7	E000894	10-4	E100024	7-14
AG691071	16-9	E000906	4-8	E100024	7-22
AG691071	7-10	E000906	4-9	E100024	7-30
AG691071	7-11	E000949	1-9	E100024	7-38
AG691071	7-12	E000963	5-2	E100024	7-6
AG691071	7-14	E000963	5-4	E100024	9-1
AG691071	7-15	E000976	5-2	E100025	11-1
AG691071	7-16	E000976	5-5	E100025	1-12
AG691071	7-17	E001015	4-14	E100025	14-1
AG691071	7-18	E001015	4-15	E100025	16-2
AG691071	7-19	E100001	11-1	E100025	16-3
AG691071	7-20	E100001	16-3	E100026	1-4
AG691071	7-22	E100001	6-12	E100027	1-2
AG691071	7-23	E100007	6-17	E100036	16-7
AG691071	7-24	E100007	6-18	E100036	16-9
AG691071	7-25	E100007	6-19	E100036	2-1
AG691071	7-26	E100007	6-20	E100036	2-4
AG691071	7-27	E100012	12-5	E100036	5-15
AG691071	7-28	E100012	1-9	E100036	5-8

# NUMERIC INDEX

E100037	13-3	E100118	2-16	E101278	6-19
E100037	14-1	E100119	10-1	E101467	6-18
E100037	16-2	E100119	10-5	E101467	6-20
E100037	16-3	E100119	14-1	E101469	5-5
E100037	16-7	E100119	14-2	E101483	6-18
E100037	16-9	E100119	2-10	E101483	6-20
E100037	2-10	E100119	2-11	E101494	2-4
E100037	2-11	E100119	6-12	E101921	9-3
E100037	2-7	E100120	16-3	E101922	2-13
E100037	2-8	E100130	1-4	E101922	2-14
E100038	13-1	E100131	13-1	E101964	6-10
E100038	1-4	E100133	2-1	E101964	6-12
E100038	2-2	E100144	14-1	E101964	6-13
E100039	1-2	E100144	14-2	E101964	6-9
E100039	12-1	E100145	1-2	E101985	6-10
E100039	12-2	E100193	2-2	E101985	6-12
E100039	12-4	E100193	6-17	E101985	6-13
E100039	14-1	E100193	6-19	E101985	6-9
E100039	14-2	E100198	6-17	E102068	10-1
E100039	2-1	E100198	6-19	E102068	10-5
E100039	2-3	E100235	5-8	E102068	10-7
E100039	5-2	E100235	6-1	E102068	10-8
E100039	6-12	E100235	6-2	E102068	16-1
E100040	5-4	E100239	14-4	E102068	2-16
E100041	6-10	E100240	12-5	E102068	2-20
E100041	6-12	E100248	16-2	E102068	2-9
E100041	6-13	E100250	16-2	E102068	6-1
E100041	6-9	E100291	5-2	E102068	6-2
E100043	2-2	E100294	12-2	E102070	10-1
E100043	5-2	E100295	12-2	E102070	10-5
E100048	6-1	E100295	5-5	E102070	2-20
E100048	6-2	E100297	12-1	E102070	5-2
E100049	2-7	E100297	12-4	E103001	6-12
E100049	2-8	E100297	14-1	E103001	6-9
E100051	6-12	E100297	14-2	E103002	5-2
E100057	6-17	E100298	2-1	E103020	5-4
E100057	6-19	E100298	2-3	E103020	5-7
E100059	6-17	E100298	5-4	E104002	6-16
E100059	6-19	E100299	5-2	E104011	5-2
E100060	5-5	E100319	5-4	E104011	5-4
E100060	6-17	E100335	6-10	E104052	6-12
E100060	6-18	E100335	6-12	E104052	6-9
E100060	6-19	E100335	6-13	E104055	5-6
E100060	6-20	E100335	6-9	E104055	5-7
E100062	2-19	E100341	6-12	E104067	5-6
E100071	2-1	E100341	6-13	E104091	1-12
E100071	2-3	E100341	6-9	E105002	13-3
E100071	2-4	E100342	6-10	E105002	5-1
E100076	2-2	E100342	6-12	E105004	2-12
E100079	12-2	E100342	6-9	E105005	14-4
E100102	1-9	E100367	6-18	E105007	10-12
E100103	16-7	E100367	6-20	E105008	10-10
E100103	16-9	E100908	2-19	E105008	10-12
E100104	5-15	E100925	5-12	E105008	10-9
E100115	1-12	E100955	2-7	E105009	2-12
E100116	16-3	E100955	2-8	E105012	1-8
E100118	11-1	E100956	2-7	E105022	13-3
E100118	16-7	E100956	2-8	E105024	12-2
E100118	16-9	E101278	6-17	E105024	2-20

# NUMERIC INDEX

E105024	6-16	E105163	7-34	E105321	11-1
E105025	10-7	E105163	7-40	E105321	6-17
E105025	16-1	E105163	7-42	E105321	6-19
E105025	6-16	E105163	7-8	E105322	6-16
E105026	13-2	E105164	2-20	E105327	2-12
E105026	5-14	E105165	5-4	E105330	12-2
E105032	6-17	E105166	6-17	E105330	13-3
E105032	6-19	E105166	6-19	E105330	6-16
E105034	2-21	E105167	6-16	E105332	2-20
E105034	2-25	E105167	6-18	E105332	5-2
E105034	2-26	E105167	6-20	E105332	6-15
E105035	6-15	E105183	1-5	E105336	6-17
E105053	10-1	E105198	1-7	E105336	6-19
E105053	10-5	E105200	2-10	E105337	6-16
E105053	2-20	E105200	2-11	E105337	6-18
E105054	5-2	E105200	2-17	E105337	6-20
E105054	6-15	E105200	2-23	E105338	1-5
E105066	10-4	E105201	1-9	E105345	6-3
E105084	14-2	E105201	2-9	E105370	6-17
E105109	6-17	E105202	2-10	E105370	6-19
E105109	6-19	E105202	2-11	E105386	6-16
E105154	2-20	E105220	7-14	E105390	5-2
E105154	6-15	E105220	7-22	E105390	5-4
E105154	6-16	E105220	7-30	E105392	2-1
E105155	6-15	E105220	7-38	E105392	2-3
E105156	6-16	E105220	7-6	E105393	13-3
E105160	1-5	E105315	2-10	E105415	10-12
E105161	2-10	E105315	2-11	E105471	14-4
E105161	2-11	E105315	2-17	E105471	2-12
E105161	2-17	E105315	2-23	E105471	5-1
E105161	2-19	E105316	10-10	E120000	1-12
E105161	2-23	E105316	10-12	E130034	16-3
E105162	10-10	E105316	10-9	E130170	2-7
E105162	10-12	E105316	1-10	E130170	2-8
E105162	10-9	E105316	13-3	E130173	2-7
E105162	1-10	E105316	1-8	E130173	2-8
E105162	12-5	E105318	10-7	E130500	2-7
E105162	13-3	E105318	12-2	E130500	2-8
E105162	14-4	E105318	13-3	E130521	6-16
E105162	1-8	E105318	2-20	E130521	6-18
E105162	2-21	E105318	5-14	E130521	6-20
E105162	2-25	E105318	6-16	E130536	6-17
E105162	2-26	E105318	7-10	E130536	6-19
E105163	10-1	E105318	7-16	E130538	7-10
E105163	10-5	E105318	7-18	E130538	7-16
E105163	10-7	E105318	7-24	E130538	7-18
E105163	11-1	E105318	7-26	E130538	7-24
E105163	13-2	E105318	7-32	E130538	7-26
E105163	16-1	E105318	7-34	E130538	7-32
E105163	2-9	E105318	7-40	E130538	7-34
E105163	5-14	E105318	7-42	E130538	7-40
E105163	6-1	E105318	7-8	E130538	7-42
E105163	6-2	E105319	2-20	E130538	7-8
E105163	7-10	E105319	6-15	E130546	2-24
E105163	7-16	E105319	6-16	E130546	2-6
E105163	7-18	E105320	12-1	E130546	2-9
E105163	7-24	E105320	12-4	E130546	6-1
E105163	7-26	E105320	5-5	E130546	6-2
E105163	7-32	E105320	6-16	E130561	6-17

# NUMERIC INDEX

E130561	6-18	E200032	7-18	E200035	7-23
E130561	6-19	E200032	7-24	E200035	7-24
E130561	6-20	E200032	7-26	E200035	7-25
E200029	16-7	E200032	7-32	E200035	7-26
E200029	16-9	E200032	7-33	E200035	7-27
E200029	7-10	E200032	7-34	E200035	7-28
E200029	7-11	E200032	7-40	E200035	7-30
E200029	7-12	E200032	7-42	E200035	7-31
E200029	7-14	E200032	7-8	E200035	7-32
E200029	7-17	E200033	16-7	E200035	7-33
E200029	7-19	E200033	16-9	E200035	7-34
E200029	7-20	E200033	7-10	E200035	7-35
E200029	7-22	E200033	7-11	E200035	7-36
E200029	7-23	E200033	7-12	E200035	7-38
E200029	7-24	E200033	7-14	E200035	7-39
E200029	7-25	E200033	7-15	E200035	7-40
E200029	7-26	E200033	7-19	E200035	7-41
E200029	7-27	E200033	7-20	E200035	7-42
E200029	7-28	E200033	7-22	E200035	7-43
E200029	7-30	E200033	7-23	E200035	7-44
E200029	7-31	E200033	7-24	E200035	7-6
E200029	7-33	E200033	7-25	E200035	7-7
E200029	7-35	E200033	7-26	E200035	7-8
E200029	7-36	E200033	7-27	E200035	7-9
E200029	7-38	E200033	7-28	E200036	7-10
E200029	7-41	E200033	7-30	E200036	7-11
E200029	7-42	E200033	7-31	E200036	7-12
E200029	7-44	E200033	7-35	E200036	7-14
E200029	7-6	E200033	7-36	E200036	7-15
E200029	7-7	E200033	7-38	E200036	7-16
E200029	7-8	E200033	7-39	E200036	7-17
E200029	7-9	E200033	7-41	E200036	7-18
E200030	7-10	E200033	7-42	E200036	7-19
E200030	7-16	E200033	7-43	E200036	7-20
E200030	7-17	E200033	7-44	E200036	7-22
E200030	7-18	E200033	7-6	E200036	7-23
E200030	7-24	E200033	7-7	E200036	7-25
E200030	7-26	E200033	7-8	E200036	7-26
E200030	7-32	E200033	7-9	E200036	7-27
E200030	7-33	E200034	7-10	E200036	7-28
E200030	7-34	E200034	7-16	E200036	7-30
E200030	7-40	E200034	7-18	E200036	7-31
E200030	7-42	E200034	7-24	E200036	7-32
E200030	7-8	E200034	7-26	E200036	7-33
E200031	7-10	E200034	7-32	E200036	7-34
E200031	7-16	E200034	7-34	E200036	7-35
E200031	7-17	E200034	7-40	E200036	7-36
E200031	7-18	E200034	7-42	E200036	7-38
E200031	7-24	E200034	7-8	E200036	7-39
E200031	7-26	E200035	7-10	E200036	7-40
E200031	7-32	E200035	7-11	E200036	7-41
E200031	7-33	E200035	7-12	E200036	7-42
E200031	7-34	E200035	7-14	E200036	7-43
E200031	7-40	E200035	7-15	E200036	7-44
E200031	7-42	E200035	7-16	E200036	7-6
E200031	7-8	E200035	7-17	E200036	7-7
E200032	7-10	E200035	7-19	E200036	7-8
E200032	7-16	E200035	7-20	E200036	7-9
E200032	7-17	E200035	7-22	E200037	7-10



# NUMERIC INDEX

E200037	7-11	E221219	5-13	E400226	2-15
E200037	7-15	E230049	5-12	E400414	2-10
E200037	7-16	E230221	5-12	E400414	2-11
E200037	7-18	E230237	5-12	E400415	1-5
E200037	7-19	E231073	5-11	E400415	1-6
E200037	7-23	E231098	5-12	E400875	1-3
E200037	7-24	E231351	5-11	E400882	2-17
E200037	7-26	E231351	5-2	E400954	2-17
E200037	7-27	E231612	5-10	E400975	9-1
E200037	7-31	E231627	6-17	E402197	1-2
E200037	7-32	E231627	6-19	E402200	1-4
E200037	7-34	E240020	5-12	E402201	2-9
E200037	7-35	E240020	5-9	E402202	2-9
E200037	7-39	E240066	5-11	E500061	12-3
E200037	7-40	E240066	5-2	E500061	12-5
E200037	7-42	E240114	5-12	E500061	16-6
E200037	7-43	E240114	8-1	E500063	16-3
E200037	7-7	E240115	10-5	E502016	10-11
E200037	7-8	E240121	5-12	E502016	10-2
E200038	7-11	E240121	5-13	E502016	10-6
E200038	7-15	E240133	5-11	E502026	10-10
E200038	7-19	E240232	5-12	E502026	10-11
E200038	7-23	E240239	5-11	E502026	10-9
E200038	7-27	E300128	6-12	E502033	12-2
E200038	7-31	E400000	1-5	E502056	10-7
E200038	7-35	E400000	2-23	E502056	12-5
E200038	7-39	E400002	1-3	E502073	12-5
E200038	7-43	E400002	1-5	E502073	16-3
E200038	7-7	E400002	1-6	E502073	16-6
E200042	7-10	E400002	2-10	E502083	10-11
E200042	7-16	E400002	2-11	E502206	13-3
E200042	7-18	E400003	1-3	E502209	5-15
E200042	7-32	E400003	1-5	E502212	7-10
E200042	7-34	E400003	1-6	E502212	7-11
E200042	7-40	E400003	2-10	E502212	7-12
E200042	7-42	E400003	2-11	E502212	7-14
E200042	7-8	E400007	2-10	E502212	7-15
E200052	5-12	E400007	2-11	E502212	7-16
E200053	5-12	E400007	2-5	E502212	7-17
E211019	1-13	E400012	2-10	E502212	7-18
E220034	7-14	E400012	2-11	E502212	7-19
E220034	7-22	E400017	1-8	E502212	7-20
E220034	7-30	E400026	2-23	E502212	7-22
E220034	7-38	E400034	1-8	E502212	7-23
E220034	7-6	E400035	2-10	E502212	7-24
E220044	6-1	E400035	2-11	E502212	7-25
E220044	6-2	E400035	2-21	E502212	7-26
E220044	7-14	E400051	1-1	E502212	7-27
E220044	7-22	E400055	2-10	E502212	7-28
E220044	7-30	E400055	2-11	E502212	7-30
E220044	7-38	E400055	2-25	E502212	7-31
E220044	7-6	E400055	2-26	E502212	7-32
E220045	1-8	E400076	1-10	E502212	7-33
E220056	1-8	E400086	2-12	E502212	7-34
E220056	6-1	E400110	15-2	E502212	7-35
E220056	6-2	E400152	14-1	E502212	7-36
E220058	14-4	E400152	14-2	E502212	7-38
E220087	14-4	E400224	1-3	E502212	7-39
E221218	5-13	E400225	1-3	E502212	7-40

# NUMERIC INDEX

E502212	7-41	E558797	13-3	WR122620	10-12
E502212	7-42	E558798	13-3	WR129240	16-12
E502212	7-43	E558799	13-1	WR34501	10-10
E502212	7-44	E558800	12-5	WR34501	10-12
E502212	7-6	E558801	10-8	WR34501	10-9
E502212	7-7	E558804	6-1	WR34501	7-4
E502212	7-8	E558804	6-2	WR35019	7-4
E502212	7-9	E558807	1-12	WR35020	10-10
E502319	10-10	E558808	1-12	WR35020	10-12
E502321	10-11	E558809	12-2	WR35020	10-9
E502321	12-5	E558810	12-2	WR36853	10-12
E502322	12-5	E558811	12-1	WR37156-DU	15-10
E503020	5-2	E558811	12-4	WR37156-DU	15-5
E503020	5-5	E558812	12-2	WR37156-FR	15-16
E503020	6-17	E558813	12-2	WR37156-FR	15-18
E503020	6-18	E558814	14-1	WR37158-DU	15-8
E503020	6-19	E558814	14-2	WR37158-FR	15-12
E503020	6-20	E558822	2-17	WR37158-FR	15-13
E503021	6-18	E558830	12-2	WR37159-DU	15-6
E503021	6-20	E558834	12-1	WR37159-FR	15-14
E503035	5-6	E558834	12-4	WR37164-DU	15-4
E510171	12-2	E558873	1-6	WR37164-DU	15-5
E511047	4-11	E558874	1-3	WR37164-DU	15-7
E511047	4-12	E558875	1-3	WR37164-FR	15-12
E511047	4-14	E558877	1-9	WR37164-FR	15-13
E511047	4-15	E558882	5-2	WR37164-FR	15-15
E511047	4-2	E558883	5-2	WR37166-DU	15-5
E511047	4-3	E558916	2-16	WR37166-FR	15-13
E511047	4-5	E558917	12-2	WR37257-DU	15-4
E511047	4-6	E558926	1-8	WR37257-DU	15-5
E511047	4-8	E558941	2-4	WR37257-FR	15-12
E511047	4-9	E558942	2-4	WR38800	16-11
E551423	2-1	E560132	13-1	WR50838	2-1
E551423	2-3	E560203	16-3	WR50838	2-3
E551501	2-2	E560205	1-13	WR50961-DU	15-6
E551501	2-4	E600391	5-2	WR55048	2-2
E552278	10-1	E600392	5-2	WR55048	2-4
E552278	10-5	E700007	16-3	WR55578-DU	15-10
E552334	5-2	E720061	14-4	WR55578-DU	15-8
E552593	5-2	E720386	2-18	WR55578-FR	15-16
E552594	5-2	E720504	15-1	WR55582	10-12
E552595	5-1	E720790	2-7	WR55582	6-3
E558778	16-2	E720791	2-8	WR55790-DU	15-10
E558778	16-5	E720899	13-3	WR55790-FR	15-18
E558780	2-1	E740014	10-2	WR55852	9-2
E558780	2-3	E740014	10-6	WR55856	7-4
E558781	2-1	E770002	2-13	WR56044	10-10
E558781	2-3	E862008	12-2	WR56044	10-12
E558782	2-2	E862009	3-2	WR56044	10-9
E558783	2-2	E862009	3-3	WV22222-DU	15-8
E558785	14-1	E862015	4-11	WV2222-FR	15-13
E558785	14-2	E862015	4-12	XXXXXX	15-19
E558786	14-1	E862504	10-3	XXXXXX	15-24
E558786	14-2	WR122553	6-12	XXXXXX	15-27
E558792	2-10	WR122553	6-9	XXXXXX	15-30
E558792	2-11	WR122618	10-10	XXXXXX	6-11
E558795	10-2	WR122618	10-12	XXXXXX	6-8
E558795	10-6	WR122618	10-9	XXXXXX	7-13
E558796	16-3	WR122618	7-4	XXXXXX	7-21

# NUMERIC INDEX

XXXXXX	7-29
XXXXXX	7-37
XXXXXX	7-5





**AGCO Corporation**  
**4205 River Green Parkway**  
**Duluth, GA 30096-2568**

**©AGCO Corporation, 2008**  
**Printed in U.S.A.**