

*Challenger*<sup>®</sup>

# Parts Manual

---

**GRAIN HEADERS  
MODELS FH & RH**

---





**ALPHABETICAL INDEX**

The complete alphabetical index appears at the beginning of this publication. It is used to locate major groups, assemblies and components.

**NUMERICAL INDEX**

The numerical index of this publication follows the Alphabetical Index at the beginning of the publication and indicates at which grid location and page number a part number appears.

**ILLUSTRATIONS**

All illustrations are located on the left hand page with the text on the right. Except for some common hardware, all parts are identified with an item number which corresponds to the item column on the text page. This is followed by the parts number, quantity and description.

**HARDWARE**

Common hardware not identified such as bolts, nuts, cotter pins and lube fittings, are listed indented in the text beneath the item to which they attach or fit. Common hardware listed indented beneath an item is NOT included unless specified. Example: (Incl. BOLT, LOCKWASHER AND NUT).

**ORDERING PARTS**

Be sure to refer to both the text and the illustration to assure ordering the correct part.

**RECOMMENDED DEALER STOCK**

A recommended dealer stock listing appears at the end of this publication.



**FH & RH GRAIN HEADERS**

**ACCESSORIES**

HEADERS RAISED FEATHER SHEETS FLEX ..... 143  
 RUBBER CURTAIN PACKAGE FLEX & RIGID ..... 145

**CONVEYOR**

CONVEYOR FLEX & RIGID PRIOR S/N HP84101 ..... 41  
 CONVEYOR FLEX & RIGID 8000 & 7000 EFFECTIVE S/N HP84101 ..... 45

**CUTTER BAR**

GUARD & SPACER LOCATION SCHUMACHER 20/25/30 FEET FLEX ..... 103  
 HEADER HEIGHT & LATERAL TILT CONTROLS FLEX (8000) ..... 107  
 SICKLES & GUARDS FLEX ..... 87  
 SICKLES & GUARDS NARROW SPACED CLEAN CUT FLEX ..... 95  
 SICKLES & GUARDS RIGID ..... 91  
 SICKLES & GUARDS SCHUMACHER 20/25/30 FEET FLEX ..... 99  
 SICKLES & GUARDS SCHUMACHER 20/25/30 FEET ..... 101  
 WOBBLE BOX RIGID & FLEX ..... 105

**DIVIDERS**

DIVIDER - SHORT RIGID ..... 39  
 DIVIDERS FLEX ..... 33  
 LONG WING DIVIDER FLEX (8000) ..... 37  
 STABILIZER & SPRING ASY. FLEX ..... 35

**DRIVES**

CONVEYOR DRIVE FLEX & RIGID PRIOR S/N HP84101 ..... 57  
 CONVEYOR DRIVE FLEX & RIGID 8000 & 7000 EFFECTIVE S/N HP84101 ..... 63  
 GRAIN HEADER DRIVES SICKLE DRIVE RIGID ..... 53  
 IMPROVED GUDGEON SERVICE KIT HEADERS PRIOR TO S/N HP84101 ..... 61  
 MAIN DRIVE SHAFTS FLEX & RIGID ..... 67  
 SICKLE DRIVE FLEX ..... 49

**ELECTRICAL**

CLEARANCE LIGHTS RIGID & FLEX ..... 131  
 HARNESS ADAPTERS ..... 129  
 WIRE HARNESS RIGID & FLEX ..... 127

**HOUSING**

HOUSING FLEX ..... 11  
 HOUSING RIGID ..... 27  
 SKID ASSEMBLIES FLEX ..... 19  
 STABILIZER FLEX ..... 23  
 TILT ARMS FLEX ..... 25

**HYDRAULICS**

CYLINDER REEL LIFT MASTER FLEX & RIGID ..... 119  
 CYLINDER REEL LIFT SLAVE FLEX & RIGID ..... 121  
 HYDRO REEL DRIVE LINES & FITTINGS FLEX & RIGID ..... 117  
 HYDRO REEL DRIVE MOTOR FLEX & RIGID ..... 113  
 HYDRO REEL MOTOR RIGID & FLEX ..... 115  
 REEL LIFT LINES & FITTINGS FLEX & RIGID ..... 111

**LATERAL TILT**

DRIVESHAFT-PTO COMPONENTS LTM & PTO ..... 133  
 POSITION SENSORS & BRACKETS RIGID ..... 135

**MOUNTING KITS (RIGID & FLEX)**

HEADER ADAPTER PACKAGE HEADERS PRIOR S/N HM84101 660 COMBINE ..... 137  
 HEADER ADAPTER PACKAGE HEADERS S/N HM84101 TO S/N HP84101 670 COMBINE ..... 139  
 HEADER ADAPTOR PACKAGE HEADERS EFFECTIVE S/N HP84101 670 COMBINE ..... 141

**RECOMMENDED DEALER STOCK**

RECOMMENDED DEALER STOCK ..... 147

**REEL**

PICKUP REEL (HCC) LEVEL ("2") FLEX & RIGID (6 INCH FINGER SPACING) ..... 75  
PICKUP REEL (HCC) LEVEL ("2") FLEX & RIGID ..... 79  
PICKUP REEL (UHC U-11) FLEX & RIGID ..... 83  
REEL SUPPORTS ELECTRIC REEL ADJUSTMENT FORE-AFT FLEX & RIGID (FH & RH) ..... 71  
STANDARD BAT REEL REEL & HANGERS RIGID ..... 73

**SHIELDS**

LH SHIELDS FLEX & RIGID ..... 125  
SHIELDS RIGHT SIDE FLEX & RIGID ..... 123

## INDEX

Part No.	Page	Grid	Part No.	Page	Grid	Part No.	Page	Grid	Part No.	Page	Grid
K3999	67	1-D 14	51318	149	1-G 24	700722260	91	1-E 14	70917377	73	1-D 20
K4037	67	1-D 14	62083	49	1-C 20	700722262	87	1-E 10	70917378	39	1-C 10
K4037	151	1-H 2	68759	49	1-C 20	700722263	87	1-E 10	70917380	125	1-F 24
Y704635	39	1-C 10	68759	63	1-D 10	700722263	91	1-E 14	70917415	27	1-B 22
Y704635	49	1-C 20	69773	61	1-D 8	700722265	95	1-E 18	70917421	107	1-F 6
Y704635	71	1-D 18	69773	63	1-D 10	700722265	153	1-H 4	70917422	23	1-B 18
Y704635	73	1-D 20	700702206	61	1-D 8	700722266	95	1-E 18	70917423	59	1-D 6
Y704635	83	1-E 6	700702206	63	1-D 10	700722266	153	1-H 4	70917489	131	1-G 6
Y704635	113	1-F 12	700704744	61	1-D 8	700722267	95	1-E 18	70917864	83	1-E 6
Y704635	131	1-G 6	700704744	63	1-D 10	700722267	153	1-H 4	70918147	27	1-B 22
Y705046	11	1-B 6	700705296	87	1-E 10	700722268	95	1-E 18	70918148	81	1-E 4
Y705046	17	1-B 12	700705296	91	1-E 14	700722268	153	1-H 4	70918150	125	1-F 24
Y705046	31	1-C 2	700705296	95	1-E 18	700722269	95	1-E 18	70918151	109	1-F 8
Y705046	53	1-C 24	700705297	87	1-E 10	700722269	153	1-H 4	70918155	43	1-C 14
Y705046	57	1-D 4	700705297	91	1-E 14	700722270	87	1-E 10	70918157	33	1-C 4
Y705046	59	1-D 6	700705297	95	1-E 18	700722270	91	1-E 14	70918199	57	1-D 4
Y705046	63	1-D 10	700706400	107	1-F 6	700722270	153	1-H 4	70918213	35	1-C 6
Y705046	65	1-D 12	700706400	127	1-G 2	700722271	87	1-E 10	70918249	125	1-F 24
Y705624	15	1-B 10	700706400	129	1-G 4	700722271	91	1-E 14	70918264	83	1-E 6
Y705624	27	1-B 22	700706401	107	1-F 6	700722271	153	1-H 4	70918265	43	1-C 14
Y705624	51	1-C 22	700706401	127	1-G 2	700722273	87	1-E 10	70918266	57	1-D 4
Y705624	57	1-D 4	700706401	129	1-G 4	700722273	91	1-E 14	70918268	11	1-B 6
Y705624	59	1-D 6	700706922	107	1-F 6	700722273	153	1-H 4	70918269	105	1-F 4
Y705624	63	1-D 10	700706922	127	1-G 2	700722275	87	1-E 10	70918430	13	1-B 8
Y705624	65	1-D 12	700706922	129	1-G 4	700722275	153	1-H 4	70918431	35	1-C 6
Y705624	143	1-G 18	700707063	129	1-G 4	700722276	87	1-E 10	70918432	53	1-C 24
059362N1	23	1-B 18	700707139	65	1-D 12	700722276	91	1-E 14	70918448	23	1-B 18
059496N1	23	1-B 18	700707343	113	1-F 12	700722276	153	1-H 4	70918452	39	1-C 10
1018729M1	131	1-G 6	700708760	107	1-F 6	700722276	153	1-H 4	70918454	105	1-F 4
1018729M1	151	1-H 2	700708760	127	1-G 2	70225608	105	1-F 4	70918459	57	1-D 4
1020298M1	121	1-F 20	700708760	129	1-G 4	70225608	147	1-G 22	70918468	107	1-F 6
1055913M1	85	1-E 8	700708863	83	1-E 6	70241380	105	1-F 4	70919066	117	1-F 16
1077994M1	133	1-G 8	700708864	83	1-E 6	70241380	147	1-G 22	70919089	17	1-B 12
1120697	133	1-G 8	700708872	83	1-E 6	70273984	129	1-G 4	70919128	117	1-F 16
1122477	77	1-D 24	700708873	83	1-E 6	70301781	49	1-C 20	70919214	111	1-F 10
1122477	79	1-E 2	700708886	83	1-E 6	704031	11	1-B 6	70919312	131	1-G 6
11335	85	1-E 8	700708886	151	1-H 2	704031	49	1-C 20	70919313	109	1-F 8
1177981	77	1-D 24	700708888	83	1-E 6	704031	53	1-C 24	70919329	23	1-B 18
1177981	79	1-E 2	700708889	83	1-E 6	704031	63	1-D 10	70919472	117	1-F 16
13811X	71	1-D 18	700708889	153	1-H 4	704031	65	1-D 12	70919546	111	1-F 10
13811X	73	1-D 20	700708892	83	1-E 6	704247	49	1-C 20	70919965	57	1-D 4
13811X	151	1-H 2	700708965	129	1-G 4	704247	63	1-D 10	70920309	35	1-C 6
1703354	113	1-F 12	700709175	107	1-F 6	704254	45	1-C 16	70920415	57	1-D 4
2763079M1	83	1-E 6	700709175	127	1-G 2	704254	63	1-D 10	70920435	125	1-F 24
2763080M1	83	1-E 6	700710984	61	1-D 8	704254	65	1-D 12	70920439	89	1-E 12
2763083M1	83	1-E 6	700710984	63	1-D 10	704494	131	1-G 6	70920469	43	1-C 14
29780X	43	1-C 14	700713276	83	1-E 6	70527219	59	1-D 6	70920677	57	1-D 4
29780X	47	1-C 18	700713276	85	1-E 8	70527219	147	1-G 22	70920990	43	1-C 14
29780X	105	1-F 4	700713276	151	1-H 2	70534438	41	1-C 12	70921024	59	1-D 6
350085X1	83	1-E 6	700714195	85	1-E 8	70534438	45	1-C 16	70921038	117	1-F 16
353436X1	89	1-E 12	700714195	153	1-H 4	70534438	147	1-G 22	70921176	59	1-D 6
353436X1	93	1-E 16	700715170	87	1-E 10	705681	57	1-D 4	70921205	117	1-F 16
353436X1	97	1-E 20	700715170	91	1-E 14	70596764	125	1-F 24	70921210	39	1-C 10
364941X1	129	1-G 4	700716123	61	1-D 8	70905126	67	1-D 14	70921211	51	1-C 22
365775X1	25	1-B 20	700716123	63	1-D 10	70905127	77	1-D 24	70921263	109	1-F 8
365775X1	31	1-C 2	700716123	149	1-G 24	70905129	57	1-D 4	70921298	117	1-F 16
365832X1	61	1-D 8	700716861	85	1-E 8	70909367	43	1-C 14	70921332	125	1-F 24
365832X1	63	1-D 10	700716861	151	1-H 2	70910276	59	1-D 6	70921333	55	1-D 2
368270X1	67	1-D 14	700717402	11	1-B 6	70910533	27	1-B 22	70921412	73	1-D 20
368270X1	73	1-D 20	700717402	27	1-B 22	70911255	113	1-F 12	70921593	43	1-C 14
368270X1	105	1-F 4	700717403	73	1-D 20	70913160	41	1-C 12	70921719	37	1-C 8
368270X1	123	1-F 22	700717403	123	1-F 22	70914463	77	1-D 24	70921965	69	1-D 16
368854X1	83	1-E 6	700717404	11	1-B 6	70914465	83	1-E 6	70921966	11	1-B 6
372729X1	129	1-G 4	700717404	27	1-B 22	70915019	105	1-F 4	70921971	57	1-D 4
3728605M1	83	1-E 6	700718579	107	1-F 6	70915276	105	1-F 4	70921972	37	1-C 8
373106X1	85	1-E 8	700718579	127	1-G 2	70915726	35	1-C 6	70922002	59	1-D 6
373839X1	87	1-E 10	700719073	83	1-E 6	70916619	105	1-F 4	70922010	57	1-D 4
373839X1	91	1-E 14	700721140	123	1-F 22	70916622	73	1-D 20	70922014	25	1-B 20
373839X1	95	1-E 18	700721143	125	1-F 24	70916950	57	1-D 4	70922127	83	1-E 6
375112X1	59	1-D 6	700721144	125	1-F 24	70916964	73	1-D 20	70922134	17	1-B 12
504738M1	107	1-F 6	700721666	83	1-E 6	70916965	37	1-C 8	70922571	111	1-F 10
504738M1	127	1-G 2	700722257	95	1-E 18	70917356	55	1-D 2	70922664	51	1-C 22
504738M1	129	1-G 4	700722258	95	1-E 18	70917365	125	1-F 24	70922755	37	1-C 8
51318	61	1-D 8	700722259	95	1-E 18	70917372	11	1-B 6	70922787	69	1-D 16
51318	63	1-D 10	700722260	87	1-E 10	70917373	11	1-B 6	70922837	83	1-E 6

## FH &amp; RH GRAIN HEADERS

5  
INDEX

Part No.	Page	Grid	Part No.	Page	Grid	Part No.	Page	Grid	Part No.	Page	Grid
70922869	49	1-C 20	70931792	117	1-F 16	71176360	43	1-C 14	71320326	149	1-G 24
70922887	79	1-E 2	70931804	33	1-C 4	71176360	47	1-C 18	71320327	41	1-C 12
70922918	71	1-D 18	70931806	57	1-D 4	71176360	147	1-G 22	71320327	45	1-C 16
70923041	107	1-F 6	70931809	11	1-B 6	71192243	67	1-D 14	71320327	141	1-G 16
70923111	21	1-B 16	70931812	55	1-D 2	71192243	69	1-D 16	71320327	149	1-G 24
70923114	93	1-E 16	70931942	105	1-F 4	71192243	147	1-G 22	71320686	125	1-F 24
70923141	85	1-E 8	70933988	57	1-D 4	71193862	131	1-G 6	71320929	105	1-F 4
70923220	21	1-B 16	70934656	11	1-B 6	71195398	129	1-G 4	71320934	105	1-F 4
70923282	83	1-E 6	70934820	105	1-F 4	71304362	49	1-C 20	71321283	11	1-B 6
70923306	77	1-D 24	70934976	105	1-F 4	71304362	53	1-C 24	71321555	39	1-C 10
70923320	11	1-B 6	70935086	23	1-B 18	71304625	113	1-F 12	71321556	45	1-C 16
70923326	107	1-F 6	70935127	49	1-C 20	71306292	71	1-D 18	71321850	49	1-C 20
70923341	73	1-D 20	70935275	145	1-G 20	71306443	49	1-C 20	71321850	53	1-C 24
70923353	25	1-B 20	70935299	49	1-C 20	71306443	53	1-C 24	71321850	149	1-G 24
70923358	73	1-D 20	70936460	37	1-C 8	71306443	147	1-G 22	71322606	21	1-B 16
70923362	37	1-C 8	70936472	111	1-F 10	71307305	49	1-C 20	71322606	151	1-H 2
70923502	17	1-B 12	70936495	13	1-B 8	71307305	53	1-C 24	71322827	23	1-B 18
70923518	131	1-G 6	70936525	57	1-D 4	71307305	147	1-G 22	71322827	149	1-G 24
70923548	117	1-F 16	70937280	131	1-G 6	71307586	105	1-F 4	71322828	53	1-C 24
70923550	111	1-F 10	70937465	49	1-C 20	71307586	147	1-G 22	71322828	149	1-G 24
70923683	13	1-B 8	70937499	117	1-F 16	71308201	35	1-C 6	71322834	49	1-C 20
70923701	49	1-C 20	70937658	11	1-B 6	71308201	49	1-C 20	71322834	149	1-G 24
70923858	59	1-D 6	70950018	77	1-D 24	71308201	53	1-C 24	71322875	43	1-C 14
70924280	33	1-C 4	70950036	77	1-D 24	71308201	147	1-G 22	71322875	45	1-C 16
70924283	125	1-F 24	70950037	75	1-D 22	71308984	41	1-C 12	71322875	149	1-G 24
70924744	11	1-B 6	70950058	79	1-E 2	71308984	45	1-C 16	71323169	57	1-D 4
70924837	33	1-C 4	70950176	77	1-D 24	71308984	147	1-G 22	71323169	63	1-D 10
70925018	117	1-F 16	70950220	75	1-D 22	71309128	57	1-D 4	71323169	149	1-G 24
70925094	109	1-F 8	70950880	75	1-D 22	71309128	147	1-G 22	71323170	57	1-D 4
70925097	111	1-F 10	70950946	77	1-D 24	71309584	25	1-B 20	71323170	63	1-D 10
70925148	11	1-B 6	70950985	75	1-D 22	71309584	29	1-B 24	71323170	149	1-G 24
70925160	33	1-C 4	70951293	77	1-D 24	71309584	147	1-G 22	71323765	39	1-C 10
70925292	107	1-F 6	71115607	23	1-B 18	71311340	25	1-B 20	71323992	57	1-D 4
70925425	71	1-D 18	71115607	147	1-G 22	71311340	147	1-G 22	71323992	63	1-D 10
70925442	71	1-D 18	71116532	87	1-E 10	71312130	105	1-F 4	71323992	149	1-G 24
70925690	73	1-D 20	71116532	93	1-E 16	71312130	147	1-G 22	71324207	27	1-B 22
70925704	11	1-B 6	71116532	97	1-E 20	71312131	105	1-F 4	71324207	81	1-E 4
70925705	49	1-C 20	71116532	147	1-G 22	71312131	147	1-G 22	71324207	85	1-E 8
70925943	117	1-F 16	71126056	57	1-D 4	71312132	105	1-F 4	71324207	153	1-H 4
70925960	73	1-D 20	71126056	63	1-D 10	71312132	147	1-G 22	71324463	93	1-E 16
70926116	71	1-D 18	71126056	147	1-G 22	71312133	105	1-F 4	71324692	43	1-C 14
70926164	57	1-D 4	71127313	41	1-C 12	71312133	147	1-G 22	71324692	47	1-C 18
70926675	49	1-C 20	71127313	45	1-C 16	71312256	111	1-F 10	71324871	89	1-E 12
70926694	53	1-C 24	71127313	147	1-G 22	71312257	111	1-F 10	71324871	93	1-E 16
70926917	107	1-F 6	71127502	51	1-C 22	71312736	21	1-B 16	71324872	89	1-E 12
70927062	117	1-F 16	71127502	55	1-D 2	71312819	123	1-F 22	71324872	93	1-E 16
70927075	11	1-B 6	71127502	147	1-G 22	71314218	105	1-F 4	71325325	105	1-F 4
70927247	117	1-F 16	71127532	23	1-B 18	71315489	105	1-F 4	71325325	149	1-G 24
70927401	85	1-E 8	71134082	87	1-E 10	71315500	89	1-E 12	71327838	67	1-D 14
70927699	89	1-E 12	71136184	75	1-D 22	71315500	93	1-E 16	71327838	153	1-H 4
70927901	105	1-F 4	71136184	79	1-E 2	71315613	19	1-B 14	71327861	25	1-B 20
70928352	59	1-D 6	71136185	77	1-D 24	71315614	19	1-B 14	71327861	29	1-B 24
70928372	83	1-E 6	71136185	79	1-E 2	71315615	19	1-B 14	71327861	149	1-G 24
70928681	107	1-F 6	71137120	57	1-D 4	71315615	147	1-G 22	71327866	23	1-B 18
70928738	49	1-C 20	71137120	63	1-D 10	71316174	49	1-C 20	71327866	149	1-G 24
70928917	111	1-F 10	71137120	153	1-H 4	71316749	73	1-D 20	71327867	23	1-B 18
70929094	35	1-C 6	71137123	43	1-C 14	71316764	73	1-D 20	71328149	25	1-B 20
70929095	51	1-C 22	71137123	47	1-C 18	71316764	147	1-G 22	71328149	149	1-G 24
70929593	49	1-C 20	71137123	147	1-G 22	71316800	49	1-C 20	71328226	21	1-B 16
70929699	49	1-C 20	71139987	43	1-C 14	71317411	105	1-F 4	71328300	51	1-C 22
70930228	13	1-B 8	71139987	47	1-C 18	71317964	125	1-F 24	71328361	111	1-F 10
70930598	25	1-B 20	71139987	147	1-G 22	71318962	33	1-C 4	71328361	149	1-G 24
70931187	11	1-B 6	71141320	79	1-E 2	71320310	77	1-D 24	71328365	111	1-F 10
70931194	13	1-B 8	71148214	89	1-E 12	71320310	81	1-E 4	71328519	73	1-D 20
70931209	27	1-B 22	71148214	93	1-E 16	71320310	85	1-E 8	71328520	73	1-D 20
70931211	11	1-B 6	71148214	97	1-E 20	71320310	147	1-G 22	71328521	73	1-D 20
70931277	11	1-B 6	71148214	147	1-G 22	71320312	25	1-B 20	71328830	73	1-D 20
70931317	43	1-C 14	71149472	113	1-F 12	71320312	149	1-G 24	71328837	73	1-D 20
70931331	89	1-E 12	71149472	147	1-G 22	71320323	41	1-C 12	71329624	125	1-F 24
70931333	39	1-C 10	71172355	107	1-F 6	71320323	45	1-C 16	71332796	43	1-C 14
70931348	11	1-B 6	71172928	107	1-F 6	71320323	141	1-G 16	71332796	47	1-C 18
70931350	15	1-B 10	71172928	147	1-G 22	71320323	149	1-G 24	71333775	105	1-F 4
70931363	51	1-C 22	71176156	43	1-C 14	71320326	43	1-C 14	71333775	149	1-G 24
70931377	51	1-C 22	71176156	47	1-C 18	71320326	47	1-C 18	71335420	105	1-F 4
70931643	113	1-F 12	71176156	147	1-G 22	71320326	141	1-G 16	71335423	89	1-E 12

## INDEX

Part No.	Page	Grid	Part No.	Page	Grid	Part No.	Page	Grid	Part No.	Page	Grid
71335423	93	1-E 16	71345599	97	1-E 20	71354693	111	1-F 10	71361447	89	1-E 12
71335423	97	1-E 20	71345599	149	1-G 24	71354834	35	1-C 6	71361508	89	1-E 12
71335423	101	1-E 24	71346158	87	1-E 10	71355694	71	1-D 18	71361508	97	1-E 20
71335423	149	1-G 24	71346158	93	1-E 16	71355699	59	1-D 6	71361510	89	1-E 12
71335424	89	1-E 12	71346158	149	1-G 24	71355699	65	1-D 12	71361510	97	1-E 20
71335424	93	1-E 16	71346159	97	1-E 20	71355699	149	1-G 24	71361510	99	1-E 22
71335424	97	1-E 20	71346159	149	1-G 24	71357529	123	1-F 22	71362414	105	1-F 4
71335424	101	1-E 24	71347389	19	1-B 14	71357549	89	1-E 12	71364835	117	1-F 16
71335424	149	1-G 24	71347397	19	1-B 14	71357550	89	1-E 12	71365741	71	1-D 18
71335425	89	1-E 12	71347399	19	1-B 14	71357714	17	1-B 12	71365746	33	1-C 4
71335425	93	1-E 16	71347401	19	1-B 14	71357715	17	1-B 12	71365748	33	1-C 4
71335425	97	1-E 20	71347403	19	1-B 14	71357716	17	1-B 12	71365749	33	1-C 4
71335425	101	1-E 24	71347405	19	1-B 14	71357717	17	1-B 12	71365832	89	1-E 12
71335425	149	1-G 24	71347407	19	1-B 14	71357719	17	1-B 12	71365834	89	1-E 12
71335689	17	1-B 12	71347409	19	1-B 14	71358188	133	1-G 8	71365880	117	1-F 16
71335689	29	1-B 24	71347411	19	1-B 14	71358188	151	1-H 2	71365880	151	1-H 2
71335689	31	1-C 2	71347413	21	1-B 16	71358564	117	1-F 16	71365883	117	1-F 16
71335689	89	1-E 12	71347757	19	1-B 14	71358564	151	1-H 2	71365883	151	1-H 2
71335689	93	1-E 16	71347763	19	1-B 14	71358626	117	1-F 16	71365935	113	1-F 12
71335690	15	1-B 10	71347775	97	1-E 20	71358627	117	1-F 16	71365954	71	1-D 18
71335690	17	1-B 12	71347775	149	1-G 24	71358647	117	1-F 16	71365957	71	1-D 18
71335690	27	1-B 22	71348175	87	1-E 10	71358711	59	1-D 6	71365960	71	1-D 18
71335690	29	1-B 24	71348175	91	1-E 14	71358711	65	1-D 12	71365972	23	1-B 18
71335690	33	1-C 4	71348175	149	1-G 24	71358711	67	1-D 14	71366153	17	1-B 12
71335690	43	1-C 14	71348218	95	1-E 18	71358870	111	1-F 10	71366166	15	1-B 10
71335690	45	1-C 16	71348641	39	1-C 10	71358971	59	1-D 6	71366166	27	1-B 22
71335690	47	1-C 18	71348643	39	1-C 10	71358971	65	1-D 12	71366186	21	1-B 16
71335690	89	1-E 12	71348712	33	1-C 4	71358971	67	1-D 14	71366189	21	1-B 16
71335690	137	1-G 12	71348712	125	1-F 24	71358980	117	1-F 16	71366190	89	1-E 12
71335690	139	1-G 14	71348712	149	1-G 24	71358981	117	1-F 16	71366193	89	1-E 12
71335690	141	1-G 16	71348718	87	1-E 10	71358984	117	1-F 16	71366194	89	1-E 12
71335690	145	1-G 20	71349436	39	1-C 10	71359026	117	1-F 16	71366194	97	1-E 20
71336974	89	1-E 12	71349954	105	1-F 4	71359119	133	1-G 8	71366194	99	1-E 22
71336974	93	1-E 16	71349955	105	1-F 4	71359161	133	1-G 8	71366199	11	1-B 6
71336974	97	1-E 20	71349955	149	1-G 24	71359162	133	1-G 8	71366200	51	1-C 22
71336974	101	1-E 24	71349959	105	1-F 4	71359163	133	1-G 8	71366229	33	1-C 4
71336974	149	1-G 24	71349959	149	1-G 24	71359163	151	1-H 2	71366243	37	1-C 8
71338550	117	1-F 16	71350360	11	1-B 6	71359164	133	1-G 8	71366245	37	1-C 8
71338588	105	1-F 4	71350360	109	1-F 8	71359165	133	1-G 8	71366251	37	1-C 8
71338689	25	1-B 20	71350543	49	1-C 20	71359168	133	1-G 8	71366252	37	1-C 8
71338689	149	1-G 24	71351135	87	1-E 10	71359168	147	1-G 22	71366256	37	1-C 8
71339424	51	1-C 22	71351135	91	1-E 14	71359170	133	1-G 8	71366258	33	1-C 4
71339439	51	1-C 22	71351135	149	1-G 24	71359559	113	1-F 12	71366258	37	1-C 8
71339673	115	1-F 14	71351139	87	1-E 10	71359559	115	1-F 14	71366258	151	1-H 2
71339968	129	1-G 4	71351139	91	1-E 14	71359560	115	1-F 14	71366270	35	1-C 6
71339969	129	1-G 4	71351139	149	1-G 24	71359561	115	1-F 14	71366274	93	1-E 16
71340333	25	1-B 20	71353111	111	1-F 10	71359562	115	1-F 14	71366477	73	1-D 20
71340335	109	1-F 8	71353125	95	1-E 18	71359563	115	1-F 14	71366478	73	1-D 20
71340335	149	1-G 24	71353125	149	1-G 24	71359564	115	1-F 14	71366681	21	1-B 16
71340350	25	1-B 20	71353693	105	1-F 4	71359565	115	1-F 14	71366683	21	1-B 16
71340350	149	1-G 24	71353766	111	1-F 10	71359566	115	1-F 14	71366961	125	1-F 24
71340645	109	1-F 8	71353766	119	1-F 18	71359567	115	1-F 14	71366963	125	1-F 24
71340645	149	1-G 24	71353767	111	1-F 10	71359568	115	1-F 14	71366973	125	1-F 24
71341423	73	1-D 20	71353767	121	1-F 20	71359569	115	1-F 14	71367255	75	1-D 22
71341521	51	1-C 22	71354266	69	1-D 16	71359570	115	1-F 14	71367255	79	1-E 2
71341521	143	1-G 18	71354276	71	1-D 18	71359571	115	1-F 14	71367255	151	1-H 2
71341640	115	1-F 14	71354276	73	1-D 20	71359572	115	1-F 14	71367256	75	1-D 22
71341644	115	1-F 14	71354276	79	1-E 2	71359601	115	1-F 14	71367256	79	1-E 2
71342621	25	1-B 20	71354276	85	1-E 8	71359602	115	1-F 14	71367256	151	1-H 2
71342621	149	1-G 24	71354276	113	1-F 12	71359626	133	1-G 8	71367257	75	1-D 22
71342623	25	1-B 20	71354276	149	1-G 24	71359627	133	1-G 8	71367257	79	1-E 2
71342623	149	1-G 24	71354277	71	1-D 18	71360375	13	1-B 8	71367257	151	1-H 2
71343187	49	1-C 20	71354277	73	1-D 20	71360498	89	1-E 12	71367356	33	1-C 4
71343540	109	1-F 8	71354277	79	1-E 2	71360498	97	1-E 20	71367357	37	1-C 8
71344225	51	1-C 22	71354277	85	1-E 8	71360498	99	1-E 22	71367502	125	1-F 24
71344225	105	1-F 4	71354277	113	1-F 12	71360678	19	1-B 14	71367521	125	1-F 24
71344240	89	1-E 12	71354277	149	1-G 24	71360687	11	1-B 6	71367527	115	1-F 14
71344240	97	1-E 20	71354435	75	1-D 22	71360772	69	1-D 16	71367527	151	1-H 2
71344240	149	1-G 24	71354435	81	1-E 4	71361225	125	1-F 24	71367653	33	1-C 4
71344765	131	1-G 6	71354437	75	1-D 22	71361274	111	1-F 10	71367659	33	1-C 4
71345591	97	1-E 20	71354437	81	1-E 4	71361274	147	1-G 22	71368005	33	1-C 4
71345591	149	1-G 24	71354496	15	1-B 10	71361377	89	1-E 12	71368404	11	1-B 6
71345596	87	1-E 10	71354496	27	1-B 22	71361379	89	1-E 12	71368511	77	1-D 24
71345596	91	1-E 14	71354497	111	1-F 10	71361396	19	1-B 14	71368511	79	1-E 2
71345596	95	1-E 18	71354497	149	1-G 24	71361444	89	1-E 12	71368515	107	1-F 6



## FH &amp; RH GRAIN HEADERS

7  
INDEX

Part No.	Page	Grid	Part No.	Page	Grid	Part No.	Page	Grid	Part No.	Page	Grid
71368520	77	1-D 24	71371580	67	1-D 14	71373871	21	1-B 16	71375509	17	1-B 12
71368520	79	1-E 2	71371580	151	1-H 2	71373872	21	1-B 16	71375509	29	1-B 24
71368521	75	1-D 22	71371593	95	1-E 18	71373874	19	1-B 14	71375510	15	1-B 10
71368521	79	1-E 2	71371598	49	1-C 20	71374218	133	1-G 8	71375510	27	1-B 22
71368522	79	1-E 2	71371598	53	1-C 24	71374218	151	1-H 2	71375512	13	1-B 8
71368702	77	1-D 24	71371630	41	1-C 12	71374219	133	1-G 8	71375512	29	1-B 24
71368702	79	1-E 2	71371630	45	1-C 16	71374220	133	1-G 8	71375514	13	1-B 8
71368702	151	1-H 2	71371871	41	1-C 12	71374220	151	1-H 2	71375514	29	1-B 24
71368703	77	1-D 24	71371871	45	1-C 16	71374260	107	1-F 6	71375520	29	1-B 24
71368703	79	1-E 2	71371903	73	1-D 20	71374261	15	1-B 10	71375521	31	1-C 2
71368703	151	1-H 2	71371903	151	1-H 2	71374262	15	1-B 10	71375522	31	1-C 2
71368704	77	1-D 24	71371905	67	1-D 14	71374265	25	1-B 20	71375526	111	1-F 10
71368704	79	1-E 2	71371914	67	1-D 14	71374267	25	1-B 20	71375528	111	1-F 10
71368704	151	1-H 2	71371914	133	1-G 8	71374268	25	1-B 20	71375530	111	1-F 10
71368706	77	1-D 24	71371917	29	1-B 24	71374275	15	1-B 10	71375531	111	1-F 10
71368706	79	1-E 2	71371920	115	1-F 14	71374354	23	1-B 18	71375534	111	1-F 10
71368906	55	1-D 2	71371920	153	1-H 4	71374355	23	1-B 18	71375536	111	1-F 10
71368918	105	1-F 4	71371925	43	1-C 14	71374362	13	1-B 8	71375538	111	1-F 10
71368923	55	1-D 2	71371925	47	1-C 18	71374371	15	1-B 10	71375539	111	1-F 10
71368924	125	1-F 24	71372804	125	1-F 24	71374372	51	1-C 22	71375543	51	1-C 22
71369199	111	1-F 10	71372815	31	1-C 2	71374374	51	1-C 22	71375543	55	1-D 2
71369326	51	1-C 22	71372818	17	1-B 12	71374391	11	1-B 6	71375579	67	1-D 14
71369467	49	1-C 20	71372818	29	1-B 24	71374394	11	1-B 6	71375582	67	1-D 14
71369467	53	1-C 24	71372820	31	1-C 2	71374395	17	1-B 12	71375584	11	1-B 6
71369473	69	1-D 16	71372821	31	1-C 2	71374396	17	1-B 12	71375585	11	1-B 6
71369474	69	1-D 16	71372822	31	1-C 2	71374427	33	1-C 4	71375690	135	1-G 10
71369629	125	1-F 24	71372968	15	1-B 10	71374428	33	1-C 4	71375732	11	1-B 6
71369629	151	1-H 2	71372968	27	1-B 22	71374430	33	1-C 4	71375732	27	1-B 22
71369850	39	1-C 10	71373363	43	1-C 14	71374434	33	1-C 4	71375785	43	1-C 14
71369864	105	1-F 4	71373363	47	1-C 18	71374436	35	1-C 6	71375785	47	1-C 18
71369864	151	1-H 2	71373363	151	1-H 2	71374445	69	1-D 16	71375785	137	1-G 12
71369903	33	1-C 4	71373374	27	1-B 22	71374448	109	1-F 8	71375789	117	1-F 16
71369903	37	1-C 8	71373376	41	1-C 12	71375101	51	1-C 22	71375790	69	1-D 16
71369903	151	1-H 2	71373376	45	1-C 16	71375101	55	1-D 2	71376006	125	1-F 24
71369907	131	1-G 6	71373376	141	1-G 16	71375108	33	1-C 4	71376019	111	1-F 10
71369909	131	1-G 6	71373376	151	1-H 2	71375266	15	1-B 10	71376020	111	1-F 10
71369911	131	1-G 6	71373378	57	1-D 4	71375266	31	1-C 2	71376060	73	1-D 20
71369914	131	1-G 6	71373378	63	1-D 10	71375267	15	1-B 10	71376061	73	1-D 20
71369914	151	1-H 2	71373379	49	1-C 20	71375267	31	1-C 2	71376062	73	1-D 20
71369921	11	1-B 6	71373379	53	1-C 24	71375268	15	1-B 10	71376067	73	1-D 20
71369922	35	1-C 6	71373385	31	1-C 2	71375268	31	1-C 2	71376069	73	1-D 20
71369922	151	1-H 2	71373386	29	1-B 24	71375269	13	1-B 8	71376070	43	1-C 14
71370130	105	1-F 4	71373387	31	1-C 2	71375269	29	1-B 24	71376070	47	1-C 18
71370130	151	1-H 2	71373388	29	1-B 24	71375270	13	1-B 8	71376070	137	1-G 12
71370133	123	1-F 22	71373396	59	1-D 6	71375270	27	1-B 22	71376178	107	1-F 6
71370137	119	1-F 18	71373396	65	1-D 12	71375272	13	1-B 8	71376194	117	1-F 16
71370139	121	1-F 20	71373397	39	1-C 10	71375272	29	1-B 24	71376195	117	1-F 16
71370141	121	1-F 20	71373398	39	1-C 10	71375273	13	1-B 8	71376198	117	1-F 16
71370143	119	1-F 18	71373635	27	1-B 22	71375273	29	1-B 24	71376199	117	1-F 16
71370144	119	1-F 18	71373636	15	1-B 10	71375353	13	1-B 8	71376258	135	1-G 10
71370145	119	1-F 18	71373656	123	1-F 22	71375353	29	1-B 24	71376259	135	1-G 10
71370145	121	1-F 20	71373658	71	1-D 18	71375354	13	1-B 8	71376262	15	1-B 10
71370146	119	1-F 18	71373658	113	1-F 12	71375354	29	1-B 24	71376263	15	1-B 10
71370147	119	1-F 18	71373659	71	1-D 18	71375358	17	1-B 12	71376507	41	1-C 12
71370457	11	1-B 6	71373659	113	1-F 12	71375358	29	1-B 24	71376507	45	1-C 16
71370457	29	1-B 24	71373662	71	1-D 18	71375359	15	1-B 10	71376508	41	1-C 12
71370459	57	1-D 4	71373663	31	1-C 2	71375359	27	1-B 22	71376508	45	1-C 16
71370459	63	1-D 10	71373666	125	1-F 24	71375371	15	1-B 10	71376607	107	1-F 6
71370459	151	1-H 2	71373851	51	1-C 22	71375371	31	1-C 2	71376621	17	1-B 12
71370460	57	1-D 4	71373852	11	1-B 6	71375375	15	1-B 10	71376622	17	1-B 12
71370460	151	1-H 2	71373853	19	1-B 14	71375375	31	1-C 2	71376623	13	1-B 8
71370463	75	1-D 22	71373854	19	1-B 14	71375378	13	1-B 8	71376624	13	1-B 8
71370463	81	1-E 4	71373855	19	1-B 14	71375378	29	1-B 24	71376625B	15	1-B 10
71370573	117	1-F 16	71373856	19	1-B 14	71375379	15	1-B 10	71376726	15	1-B 10
71370574	117	1-F 16	71373857	19	1-B 14	71375379	31	1-C 2	71376727	15	1-B 10
71370575	97	1-E 20	71373858	19	1-B 14	71375396B	11	1-B 6	71376728	15	1-B 10
71370575	151	1-H 2	71373859	21	1-B 16	71375396B	27	1-B 22	71376729	15	1-B 10
71370634	57	1-D 4	71373860	19	1-B 14	71375400B	13	1-B 8	71376730	15	1-B 10
71370634	105	1-F 4	71373861	19	1-B 14	71375400B	31	1-C 2	71376731	15	1-B 10
71370634	151	1-H 2	71373862	19	1-B 14	71375501B	15	1-B 10	71376732	17	1-B 12
71371417	43	1-C 14	71373866	19	1-B 14	71375501B	31	1-C 2	71376733	17	1-B 12
71371417	47	1-C 18	71373867	19	1-B 14	71375505	31	1-C 2	71376734	13	1-B 8
71371580	55	1-D 2	71373868	19	1-B 14	71375506	31	1-C 2	71376735	13	1-B 8
71371580	59	1-D 6	71373869	21	1-B 16	71375508	17	1-B 12	71376736B	13	1-B 8
71371580	65	1-D 12	71373870	21	1-B 16	71375508	29	1-B 24	71376737B	15	1-B 10

## INDEX

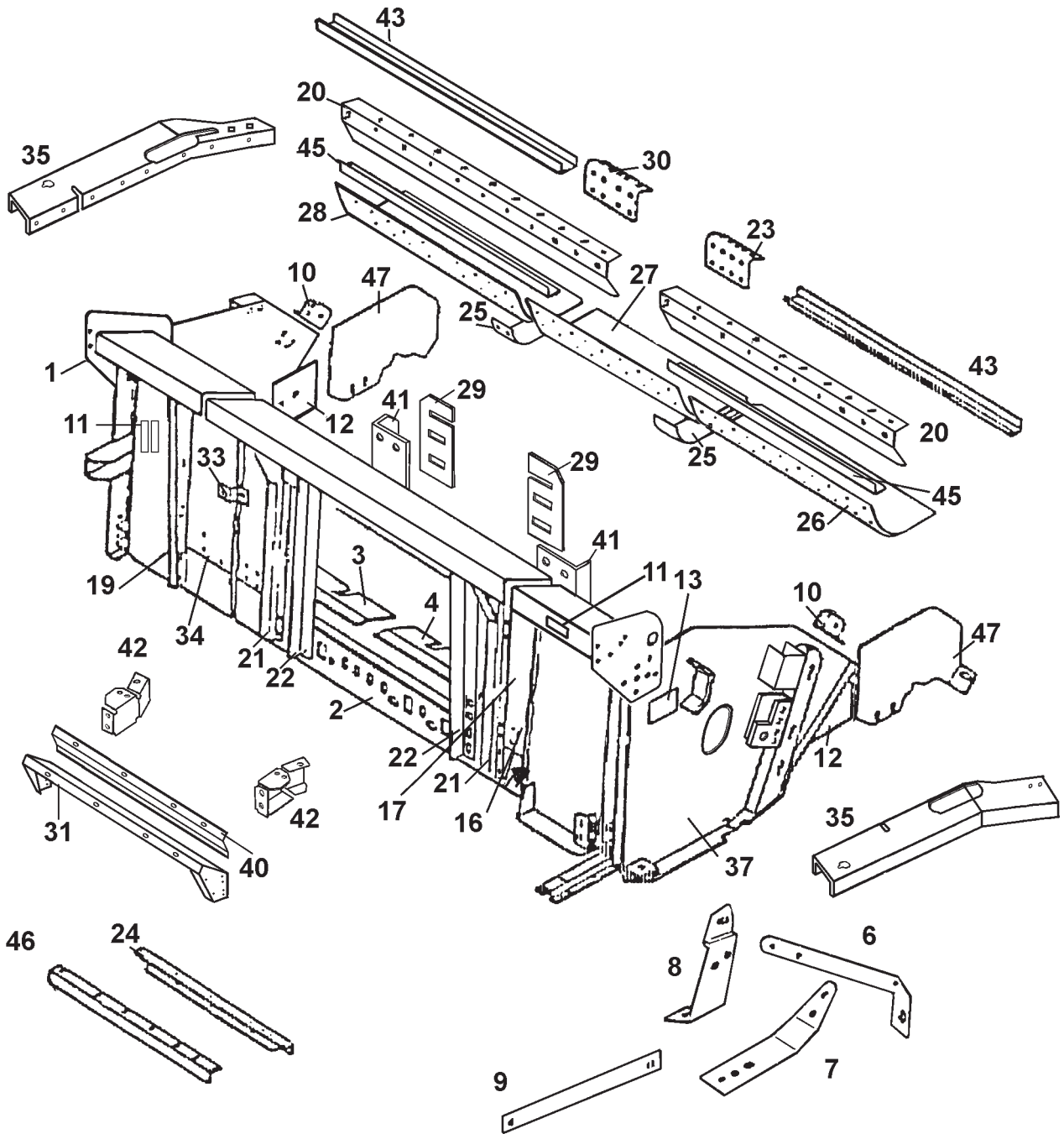
Part No.	Page	Grid	Part No.	Page	Grid	Part No.	Page	Grid	Part No.	Page	Grid
71376744B	11	1-B 6	71380181	117	1-F 16	71387496	143	1-G 18	71391978	87	1-E 10
71376749	11	1-B 6	71382485	133	1-G 8	71387497	143	1-G 18	71391978	91	1-E 14
71376750B	13	1-B 8	71382607	109	1-F 8	71387498	143	1-G 18	71391978	97	1-E 20
71376825	109	1-F 8	71382607	135	1-G 10	71387654	125	1-F 24	71391978	153	1-H 4
71376825	135	1-G 10	71383783	17	1-B 12	71387662	107	1-F 6	71391979	87	1-E 10
71376825	151	1-H 2	71383783	31	1-C 2	71388781	73	1-D 20	71391979	91	1-E 14
71377156	107	1-F 6	71385088	11	1-B 6	71388800	75	1-D 22	71391979	95	1-E 18
71377158	107	1-F 6	71385088	27	1-B 22	71388800	79	1-E 2	71391982	23	1-B 18
71377293	43	1-C 14	71385135	29	1-B 24	71389101	75	1-D 22	71391986	89	1-E 12
71377293	47	1-C 18	71385137	57	1-D 4	71389101	79	1-E 2	71391987	89	1-E 12
71377293	137	1-G 12	71385137	153	1-H 4	71389102	75	1-D 22	71391989	89	1-E 12
71377294	43	1-C 14	71385138	59	1-D 6	71389102	79	1-E 2	71391990	89	1-E 12
71377294	137	1-G 12	71385140	105	1-F 4	71389103	75	1-D 22	71391992	89	1-E 12
71377295	43	1-C 14	71385143	57	1-D 4	71389106	75	1-D 22	71391994	89	1-E 12
71377295	137	1-G 12	71385146	71	1-D 18	71389106	153	1-H 4	71391994	93	1-E 16
71377296	17	1-B 12	71386626	83	1-E 6	71389107	77	1-D 24	71391994	97	1-E 20
71377296	29	1-B 24	71386627	83	1-E 6	71389107	153	1-H 4	71391994	101	1-E 24
71377296	137	1-G 12	71386628	83	1-E 6	71389108	77	1-D 24	71391994	153	1-H 4
71377580	59	1-D 6	71386629	83	1-E 6	71389108	153	1-H 4	71391999	97	1-E 20
71377580	65	1-D 12	71386633	85	1-E 8	71389109	75	1-D 22	71391999	153	1-H 4
71377588	13	1-B 8	71386634	85	1-E 8	71389109	153	1-H 4	71392173	99	1-E 22
71377588	29	1-B 24	71386635	85	1-E 8	71389110	75	1-D 22	71392174	101	1-E 24
71377589	13	1-B 8	71386636	85	1-E 8	71389112	75	1-D 22	71392175	101	1-E 24
71377589	29	1-B 24	71386644	83	1-E 6	71389114	75	1-D 22	71394176	95	1-E 18
71377597	11	1-B 6	71386646	85	1-E 8	71389115	75	1-D 22	71394177	87	1-E 10
71377597	27	1-B 22	71386647	85	1-E 8	71389118	75	1-D 22	71394178	99	1-E 22
71377600	11	1-B 6	71386648	85	1-E 8	71389120	75	1-D 22	71394179	95	1-E 18
71377600	27	1-B 22	71386776	143	1-G 8	71389122	75	1-D 22	71394180	87	1-E 10
71377768	57	1-D 4	71386777	143	1-G 18	71389123	75	1-D 22	71394180	91	1-E 14
71377768	63	1-D 10	71386778	143	1-G 18	71389130	107	1-F 6	71394181	99	1-E 22
71377768	151	1-H 2	71386779	143	1-G 18	71389136	77	1-D 24	71394183	95	1-E 18
71377904	25	1-B 20	71386780	143	1-G 18	71389136	79	1-E 2	71394184	87	1-E 10
71378309	41	1-C 12	71386781	143	1-G 18	71389141	87	1-E 10	71394184	91	1-E 14
71378309	45	1-C 16	71386782	143	1-G 18	71389141	153	1-H 4	71394185	99	1-E 22
71378310	41	1-C 12	71386844	135	1-G 10	71389142	87	1-E 10	71394186	95	1-E 18
71378310	45	1-C 16	71386846	49	1-C 20	71389142	91	1-E 14	71394187	87	1-E 10
71378311	41	1-C 12	71386846	53	1-C 24	71389144	87	1-E 10	71394189	95	1-E 18
71378311	45	1-C 16	71386846	151	1-H 2	71389144	91	1-E 14	71394190	87	1-E 10
71378313	41	1-C 12	71386848	145	1-G 20	71389145	87	1-E 10	71394190	91	1-E 14
71378313	45	1-C 16	71386849	145	1-G 20	71389145	91	1-E 14	71394193	95	1-E 18
71378314	41	1-C 12	71386850	145	1-G 20	71389145	153	1-H 4	71394194	87	1-E 10
71378314	45	1-C 16	71386905	99	1-E 22	71389329	113	1-F 12	71394194	91	1-E 14
71378315	41	1-C 12	71386905	153	1-H 4	71389333	113	1-F 12	71394217	101	1-E 24
71378315	45	1-C 16	71386906	101	1-E 24	71389333	147	1-G 22	71394217	153	1-H 4
71378322G	41	1-C 12	71386906	153	1-H 4	71389337	53	1-C 24	71394244	57	1-D 4
71378322G	45	1-C 16	71386907	101	1-E 24	71389337	105	1-F 4	71394244	63	1-D 10
71378323G	41	1-C 12	71386907	153	1-H 4	71390302	107	1-F 6	71394244	147	1-G 22
71378323G	45	1-C 16	71386908	101	1-E 24	71390302	127	1-G 2	71394567	49	1-C 20
71378324G	41	1-C 12	71386908	153	1-H 4	71390302	149	1-G 24	71394567	53	1-C 24
71378324G	45	1-C 16	71386909	101	1-E 24	71390628	109	1-F 8	71394569	49	1-C 20
71378325G	41	1-C 12	71386909	153	1-H 4	71390642	139	1-G 14	71394571	15	1-B 10
71378325G	45	1-C 16	71386919	99	1-E 22	71390642	141	1-G 16	71394573	67	1-D 14
71378601G	41	1-C 12	71386920	99	1-E 22	71390649	139	1-G 14	71394589B	27	1-B 22
71378602G	41	1-C 12	71386921	99	1-E 22	71390649	141	1-G 16	71394593B	53	1-C 24
71378603G	41	1-C 12	71386922	99	1-E 22	71390650	139	1-G 14	71394594	49	1-C 20
71378604G	41	1-C 12	71386923	101	1-E 24	71390650	141	1-G 16	71395464	59	1-D 6
71378613	11	1-B 6	71386923	153	1-H 4	71390959	139	1-G 14	71395464	65	1-D 12
71378613	27	1-B 22	71386924	101	1-E 24	71390959	141	1-G 16	71395464	67	1-D 14
71378613	43	1-C 14	71386924	153	1-H 4	71390978	23	1-B 18	71395464	151	1-H 2
71378613	59	1-D 6	71386925	101	1-E 24	71390979	23	1-B 18	71396274	113	1-F 12
71378613	65	1-D 12	71386925	153	1-H 4	71390981	23	1-B 18	71396876	41	1-C 12
71378620	73	1-D 20	71386951	99	1-E 22	71390982	57	1-D 4	71396876	45	1-C 16
71380106	125	1-F 24	71386951	101	1-E 24	71390982	63	1-D 10	71396877	41	1-C 12
71380114	13	1-B 8	71386951	153	1-H 4	71390982	151	1-H 2	71396877	45	1-C 16
71380114	27	1-B 22	71386952	101	1-E 24	71390984	59	1-D 6	71396939	123	1-F 22
71380133	67	1-D 14	71386952	153	1-H 4	71390984	65	1-D 12	71396959B	129	1-G 4
71380137	67	1-D 14	71386953	101	1-E 24	71390984	67	1-D 14	71396964	107	1-F 6
71380139B	13	1-B 8	71386953	153	1-H 4	71390984	151	1-H 2	71396964	127	1-G 2
71380139B	31	1-C 2	71386954	99	1-E 22	71391021	113	1-F 12	71396964	129	1-G 4
71380140B	15	1-B 10	71386962	87	1-E 10	71391287	139	1-G 14	71397293	107	1-F 6
71380140B	31	1-C 2	71386962	93	1-E 16	71391288	139	1-G 14	71397293	127	1-G 2
71380171	13	1-B 8	71386962	153	1-H 4	71391291	77	1-D 24	71397293	129	1-G 4
71380171	31	1-C 2	71386970	73	1-D 20	71391291	79	1-E 2	71397680	107	1-F 6
71380178	117	1-F 16	71387491	143	1-G 18	71391708	129	1-G 4	71397680	127	1-G 2
71380179	117	1-F 16	71387495	143	1-G 18	71391725	129	1-G 4	71397680	129	1-G 4

FH & RH GRAIN HEADERS

Part No.	Page	Grid	Part No.	Page	Grid	Part No.	Page	Grid	Part No.	Page	Grid
71397687	129	1-G 4	71530146	97	1-E 20	836522M91	151	1-H 2			
71397721	129	1-G 4	71530149	21	1-B 16	98-2107	125	1-F 24			
71397722	107	1-F 6	71530150	21	1-B 16						
71397722	127	1-G 2	71530151	21	1-B 16						
71397722	129	1-G 4	71530152	21	1-B 16						
71398130	113	1-F 12	71530153	135	1-G 10						
71398130	153	1-H 4	71530154	135	1-G 10						
71398299	19	1-B 14	71530155	143	1-G 18						
71398299	21	1-B 16	71530156	143	1-G 18						
71398299	23	1-B 18	71530157	143	1-G 18						
71399776	87	1-E 10	71530158	143	1-G 18						
71399776	91	1-E 14	71530159	145	1-G 20						
71399776	95	1-E 18	71530165	137	1-G 12						
71399776	153	1-H 4	71530166	139	1-G 14						
71399777	87	1-E 10	71530239	17	1-B 12						
71399777	91	1-E 14	71530239	31	1-C 2						
71399777	95	1-E 18	71530464	37	1-C 8						
71399778	87	1-E 10	71530488	141	1-G 16						
71399778	91	1-E 14	72503345	55	1-D 2						
71399778	95	1-E 18	72516417	129	1-G 4						
71399779	87	1-E 10	72516418	129	1-G 4						
71399779	91	1-E 14	7700461	45	1-C 16						
71399779	95	1-E 18	7700461	137	1-G 12						
71399781	95	1-E 18	7700461	139	1-G 14						
71399829	17	1-B 12	7700461	141	1-G 16						
71399829	31	1-C 2	7701592	11	1-B 6						
71399830	17	1-B 12	7701592	15	1-B 10						
71399830	31	1-C 2	7701592	31	1-C 2						
71399926	11	1-B 6	7701659	21	1-B 16						
71399926	27	1-B 22	7702202	61	1-D 8						
71399928	19	1-B 14	7702202	63	1-D 10						
71399929	21	1-B 16	7703218	75	1-D 22						
71402104	17	1-B 12	7703218	79	1-E 2						
71402104	31	1-C 2	7703424	11	1-B 6						
71404261	61	1-D 8	7703424	13	1-B 8						
71404261	63	1-D 10	7703424	15	1-B 10						
71404261	151	1-H 2	7703424	23	1-B 18						
71404263	59	1-D 6	7703424	27	1-B 22						
71404263	61	1-D 8	7703424	31	1-C 2						
71404264	61	1-D 8	7703424	37	1-C 8						
71404264	63	1-D 10	7703424	73	1-D 20						
71404264	147	1-G 22	7703432	41	1-C 12						
71404265B	61	1-D 8	7703432	45	1-C 16						
71404265B	63	1-D 10	7703432	73	1-D 20						
71404268	61	1-D 8	7703432	123	1-F 22						
71404268	63	1-D 10	7703457	125	1-F 24						
71406201B	61	1-D 8	77057	49	1-C 20						
71406201B	63	1-D 10	77057	53	1-C 24						
71406229	71	1-D 18	7772049	105	1-F 4						
71407206B	11	1-B 6	7773104	37	1-C 8						
71407206B	31	1-C 2	7774458	11	1-B 6						
71407225	45	1-C 16	7774458	15	1-B 10						
71407226	45	1-C 16	7774458	21	1-B 16						
71407227	45	1-C 16	7774458	49	1-C 20						
71407228	45	1-C 16	7774458	51	1-C 22						
71407235	47	1-C 18	7774458	53	1-C 24						
71407236	47	1-C 18	7774458	57	1-D 4						
71407238	47	1-C 18	7774458	63	1-D 10						
71407238	141	1-G 16	7774458	71	1-D 18						
71407239	47	1-C 18	79008328	51	1-C 22						
71407239	141	1-G 16	79008328	59	1-D 6						
71530117	77	1-D 24	79008328	63	1-D 10						
71530117	81	1-E 4	79008328	151	1-H 2						
71530118	77	1-D 24	79016594	13	1-B 8						
71530118	81	1-E 4	79016594	31	1-C 2						
71530119	85	1-E 8	79017113	21	1-B 16						
71530120	85	1-E 8	79021648	23	1-B 18						
71530121	77	1-D 24	79021668	23	1-B 18						
71530121	81	1-E 4	832035M1	83	1-E 6						
71530122	77	1-D 24	832302M1	83	1-E 6						
71530122	81	1-E 4	832909M1	105	1-F 4						
71530123	85	1-E 8	832909M1	151	1-H 2						
71530124	85	1-E 8	833094M1	105	1-F 4						
71530144	97	1-E 20	833095M1	105	1-F 4						
71530145	97	1-E 20	836522M91	121	1-F 20						

FH & RH GRAIN HEADERS  
HOUSING

HOUSING  
FLEX



**FH & RH GRAIN HEADERS  
HOUSING**

11

**HOUSING  
FLEX**

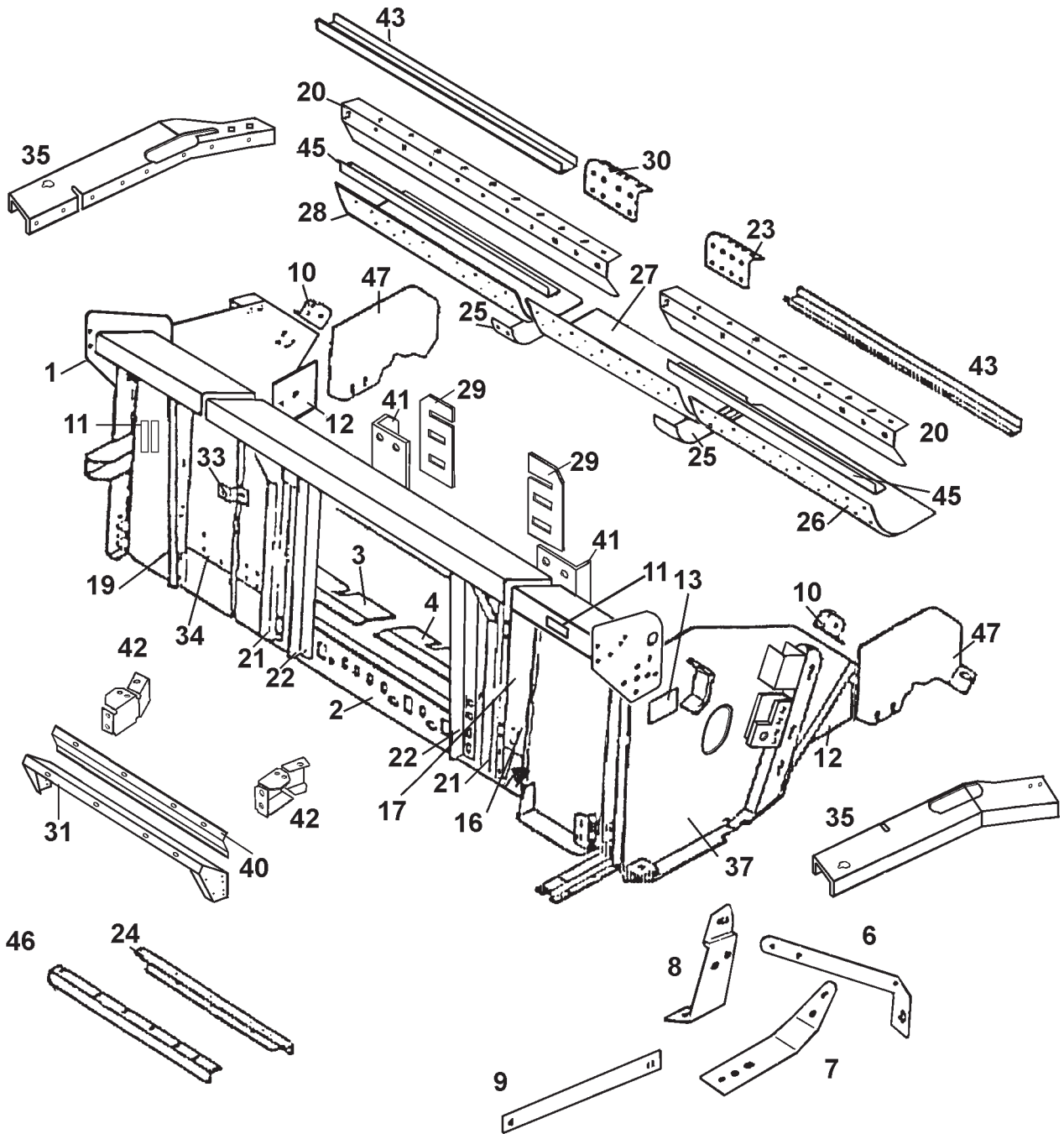
ITEM	NUMBER	QTY	DESCRIPTION
1	71375585	1	TRUSS ASY. (18')
	71375584	1	TRUSS ASY. (20')
	71377600	1	TRUSS ASY. (25')
	71377597	1	TRUSS ASY. (30')
	71378613	1	DECAL, HEADER
	71385088	1	CHART, LUBRICATION
	7701592	AR	CAPSCREW, 1/2 X 1.0
	70931187	AR	NUT, SER. FLG., 1/2
	70921966	AR	LOCKWASHER, 1/2
	70931211	AR	NUT, SER. FLG., 3/8
	70918268	AR	WASHER 5/8 SAE
	70924744	AR	CAPSCREW, 5/8 X 1-1/2
	70917373	AR	LOCKWASHER, 5/8
	70923320	AR	CAPSCREW, 1/2 X 3
	704031	AR	NUT, 1/2
	7703424	AR	CAPSCREW, 3/8 X 1.0 SER. FLG.
	70931809	AR	BOLT, 1/2 X 1-1/4 RHSN
	70934656	AR	CAPSCREW, 1/2 X 1-1/2 SER. FLG.
	70937658	AR	GROMMET, 7/8" I.D. X 1-5/8" O.D.
	2	71376749	1
71376744B		1	FRAME ASY., LOWER (20')
71375396B		1	FRAME ASY., LOWER (25')
71375732		1	FRAME ASY., LOWER (30')
3	71399926	1	STRIP SEAL, LH
4	71370457	1	STRIP SEAL, RH
6	71374394	1	BRACE, SKID, RH
	70927075	3	BOLT, 5/16NC X 1
	70931277	3	NUT, FLANGED, 5/16NC
7	71360687	1	SKID, RH
	71373852	1	SKID, PLASTIC, RH SHOE
	70927075	2	BOLT, 5/16NC X 1
	70917372	2	NUT, REG, 5/16-18
8	71374391	1	ARM, STABILIZER
9	71366199	1	BRACE, DIVIDER, RH
	71368404	1	BRACE, DIVIDER, LH
	70925704	AR	CAPSCREW, 5/8 X 4-1/2
	70924744	1	CAPSCREW, 5/8NC X 1-1/2
	70925148	AR	CAPSCREW, 5/8NC X 8.0
	70918268	AR	WASHER, 5/8
	7774458	AR	NUT, FLANGED, 5/8NC
	Y705046	AR	LOCKWASHER, 1/2
7701592	AR	CAPSCREW, 1/2 X 1 SER FLG.	
10	71369921	2	BRACKET, DIVIDER
	70931348	4	BOLT, 3/8NC X 3/4
	70931211	4	NUT, FLANGED, 3/8NC
11	700717402	2	REFLECTOR, RED (STICK ON) (QTY. 4 FOR 30')
	700717404	2	REFLECTOR, ORANGE (STICK ON) (QTY. 4 FOR 30')
12	71321283	2	FILLER, REAR ENDS
	70918268	AR	WASHER, 5/8
	70925704	AR	CAPSCREW, 5/8 X 4-1/2
	7774458	AR	NUT, SER. FLG., 5/8
13	71350360	2	DECAL, DANGER, RH & LH
14	71407206B	2	PLATE, DEFLECTOR (NOT ILLUSTRATED)

CONTINUED

71376611  
PR: 10

FH & RH GRAIN HEADERS  
HOUSING

HOUSING  
FLEX





**FH & RH GRAIN HEADERS  
HOUSING**

13

**HOUSING  
FLEX**

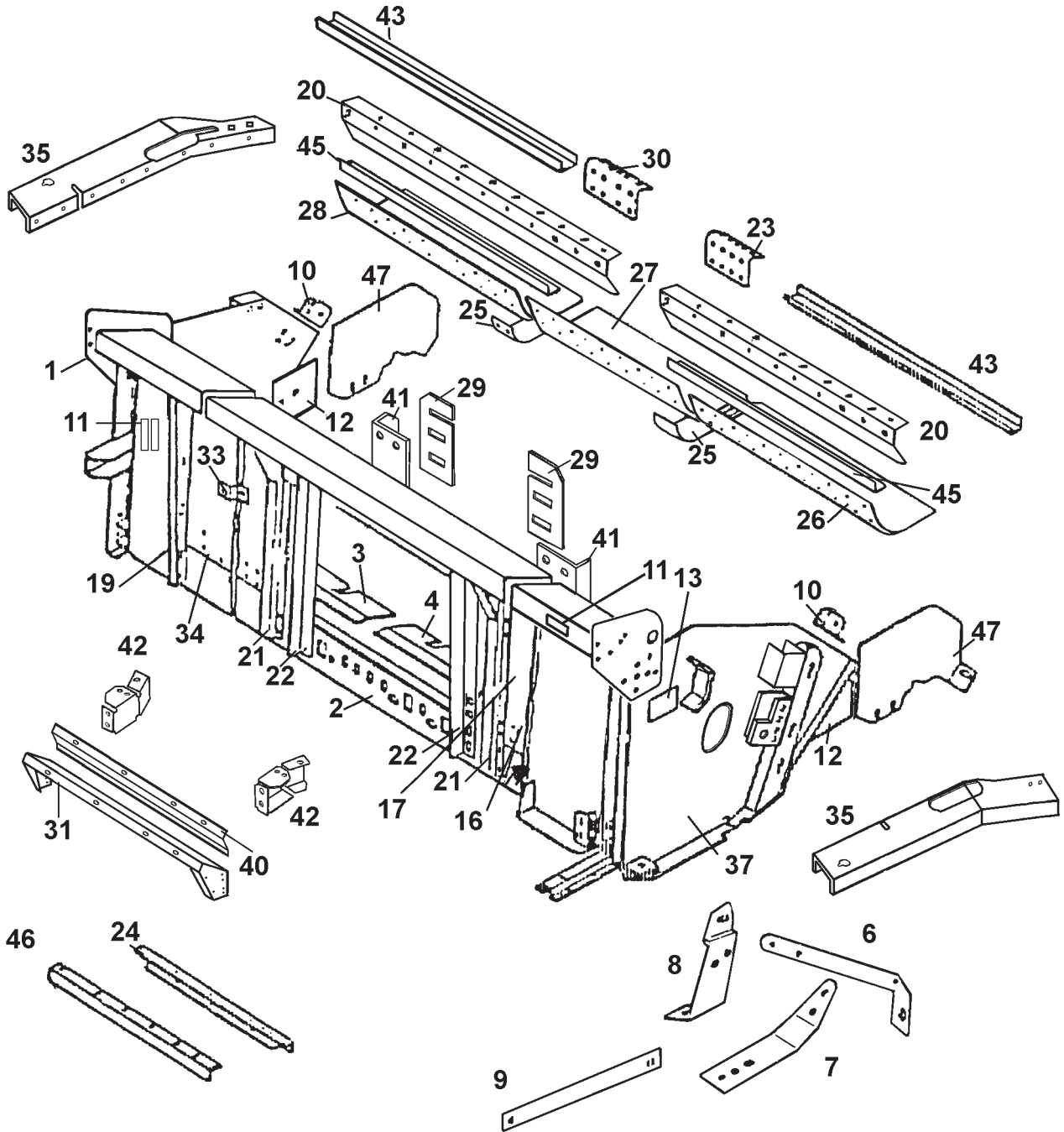
ITEM	NUMBER	QTY	DESCRIPTION
16	71380171	1	POST, REAR, RH
	70931348	AR	BOLT, RHSN 3/8 X 3/4
	70931211	AR	NUT, 3/8 SER. FLG.
17	71376750B	1	BACK, HEADER, RH, BLACK (18')
	71376736B	1	BACK, HEADER, RH, BLACK (20')
	71375400B	1	BACK, HEADER, RH, BLACK (25')
	71380139B	1	BACK, HEADER, RH, BLACK (30')
	70927075	AR	BOLT, RHSN, 5/16 X 1.0
	70931277	AR	NUT, SER. FLG., 5/16
	70931348	AR	BOLT, RHSN, 3/8 X 3/4
	70931211	AR	NUT, SER. FLG., 3/8
19	71380114	2	POST, INTERMEDIATE (18')(QTY. 3 FOR 20' & 25', QTY. 5 FOR 30')
	70918430	AR	WASHER, FLAT, 1/2 X 1-1/4 X 14GA
	70927075	AR	BOLT, RHSN, 5/16 X 1
	70931277	AR	NUT, SER. FLG., 5/16
	70931348	AR	BOLT, RHSN, 3/8 X 3/4
	70931211	AR	NUT, FLANGE, 3/8
	70923683	AR	SCREW, TAPTITE, 3/8 X 3/4
20	71376624	1	RETARDER, UPPER, RH (18')
	71376734	1	RETARDER, UPPER, RH (20')
	71375512	1	RETARDER, UPPER, RH (25')
	71375269	1	RETARDER, UPPER, RH (30')
	71376623	1	RETARDER, UPPER, LH (18')
	71376735	1	RETARDER, UPPER, LH (20')
	71375514	1	RETARDER, UPPER, LH (25')
	71375378	1	RETARDER, UPPER, LH (30')
	79016594	AR	KIT, HUCKBOLT (INCL 1 EA HUCKBOLT & COLLAR)
	70923683	AR	SCREW, 3/8 X 3/4 TAPTITE
21	71377588	1	POST WLMT, MAIN, RH
	71377589	1	POST WLMT, MAIN, LH
	70918430	AR	WASHER, FLAT, 1/2 X 1-1/4 X 14GA
	70917373	AR	LOCKWASHER, 5/8
	70924744	8	CAPSCREW, 5/8 X 1-1/2
	70931194	AR	SEALANT, LOCTITE
	70927075	AR	BOLT, RHSN, 5/16 X 1.0
	70931277	AR	NUT, SER. FLG., 5/16
	70931809	AR	BOLT, RHSN, 1/2 X 1-1/4
	70931187	AR	NUT, SER. FLG., 1/2
22	71375354	1	POST WLMT, INNER, RH (LTM)
	71375353	1	POST WLMT, INNER, LH (LTM)
	71375272	1	*POST WLMT, INNER, RH
	71375273	1	*POST WLMT, INNER, LH
	70930228	10	SCREW, 5/16 X 3/4
	70927075	AR	BOLT, RHSN 5/16 X 1
	70931277	AR	NUT, SER. FLG. 5/16
	7703424	AR	CAPSCREW, 3/8 X 1 SER. FLG.
23	71375270	1	PLATE, WEAR, RETARDER, RH
24	71360375	1	CHANNEL,CENTER,TILT ARM (REF. TILT ARMS)
	70923683	AR	SCREW, 3/8 X 3/4 TORX
25	71374362	2	SPLICE, BOTTOM
	70936495	AR	BOLT, MONO 1/4

CONTINUED

71376611  
PR: 10

FH & RH GRAIN HEADERS  
HOUSING

HOUSING  
FLEX





**FH & RH GRAIN HEADERS  
HOUSING**

15

**HOUSING  
FLEX**

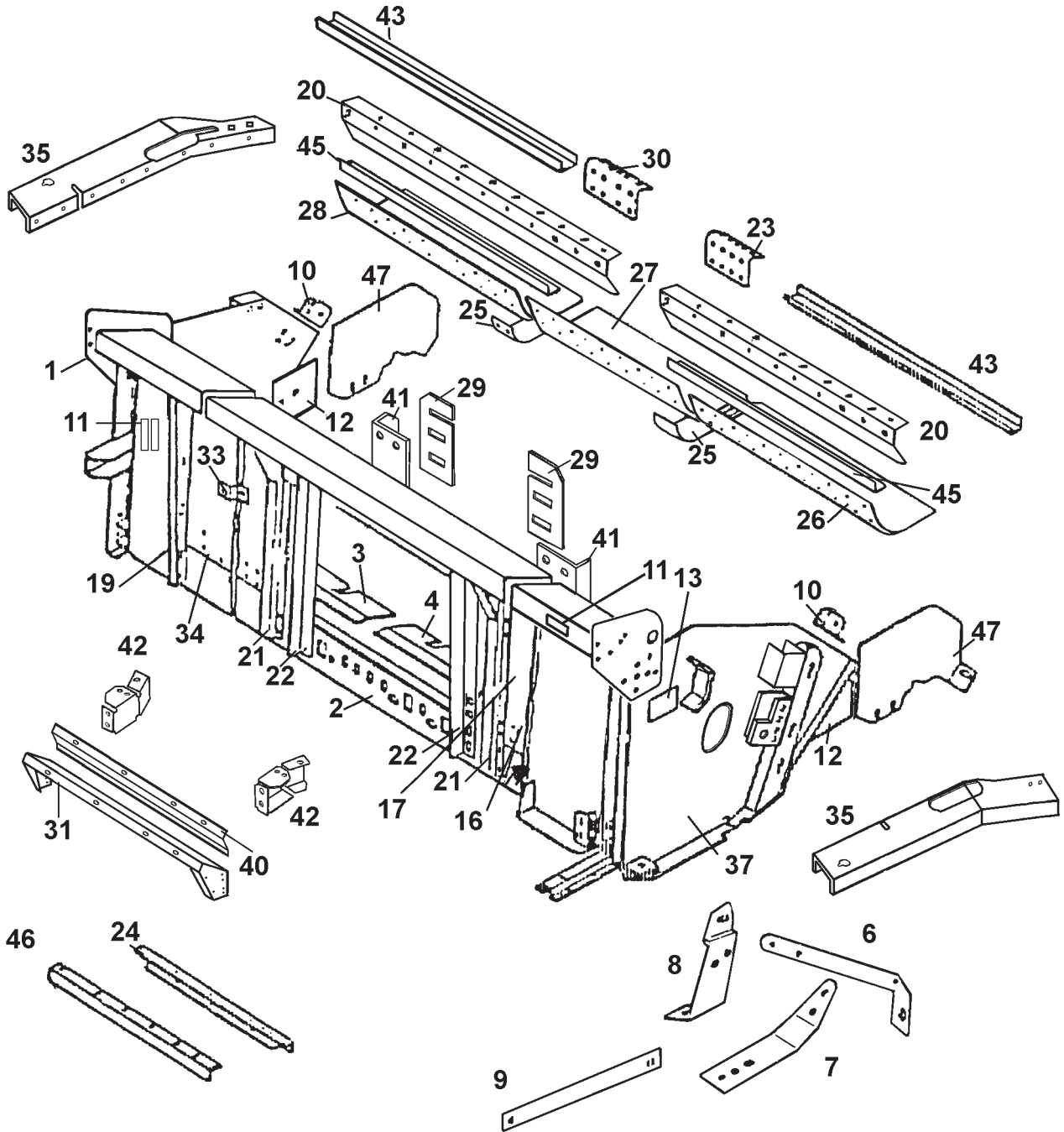
ITEM	NUMBER	QTY	DESCRIPTION	
26	71376728	1	BOTTOM, RH (18')	
	71376726	1	BOTTOM, RH (20')	
	71376262	1	BOTTOM, RH (25')	
	71374262	1	BOTTOM, RH (30')	
	70936495	AR	BOLT, MONO 1/4	
27	71374275	1	BOTTOM, CENTER (18' THRU 30')	
	71335690	AR	SCREW, SELF TAP. 5/16 X 3/4 TORX	
28	71376729	1	BOTTOM, LH (18')	
	71376727	1	BOTTOM, LH (20')	
	71376263	1	BOTTOM, LH (25')	
	71374261	1	BOTTOM, LH (30')	
	70936495	AR	BOLT, MONO 1/4	
29	71375379	2	FAIRING, EXT.	
	70930228	AR	SCREW, FH, HEX, SOCKET 5/16 X 3/4	
	70927075	AR	BOLT, RHSN, 5/16 X 1.0	
	70931277	AR	NUT, SER. FLG., 5/16	
30	71375359	1	PLATE, WEAR, RETARDER, LH	
31	71375266	1	HANGER WLMT.	
33	71354496	1	BRACKET, REEL HOSE	
34	71376625B	1	BACK, HEADER, LH, BLACK (18')	
	71376737B	1	BACK, HEADER, LH, BLACK (20')	
	71375501B	1	BACK, HEADER, LH, BLACK (25')	
	71380140B	1	BACK, HEADER, LH, BLACK (30')	
	70927075	AR	BOLT, RHSN, 5/16 X 1.0	
	70931277	AR	NUT, SER. FLG., 5/16	
	70931348	AR	BOLT, RHSN, 3/8 X 3/4	
	70931211	AR	NUT, SER. FLG., 3/8	
	35	71374371	1	REINFORCEMENT, HEADER END, LH
		71366166	1	REINFORCEMENT, HEADER END, RH
7703424		AR	CAPSCREW, 3/8 X 1.0, SER. FLG.	
70931350		AR	BOLT, RHSN, 3/8 X 1.0	
70931211		AR	NUT, SER. FLG., 3/8	
37	71394571	1	END, PAN WLMT LH	
	71373636	1	END, PAN WLMT RH	
	70925148	1	CAPSCREW, 5/8 X 8.0	
	7774458	1	NUT, SER. FLG., 5/8	
	70925704	1	CAPSCREW, 5/8 X 4-1/2	
	Y705624	2	WASHER, PLAIN, 1/2	
40	71375371	1	*PLATE WLMT., FILLER TRUSS	
	7703424	4	CAPSCREW, 3/8 X 1	
41	71375375	2	*ANGLE, STIFFENER, INNER POST	
	70934656	4	CAPSCREW, 1/2 X 1/2	
42	71375267	1	GUIDE, LH	
	71375268	1	GUIDE, RH	
	70934656	6	CAPSCREW, SER. FLG., 1/2 X 1.5	
	70931187	2	NUT, SER. FLG., 1/2	
	70931809	AR	BOLT, 1/2 X 1-1/4 RHSN	
	7701592	AR	CAPSCREW, 1/2 X 1 SER. FLG.	
	43	71376731	2	ANGLE, RETARDER, REAR, (18')
71376730		2	ANGLE, RETARDER, REAR, (20')	
71375510		2	ANGLE, RETARDER, REAR, (25')	
71372968		2	ANGLE, RETARDER, REAR, (30')	
71335690		AR	SCREW, SELF TAP, 5/16 X 3/4 TORX	

CONTINUED

71376611  
PR: 10

FH & RH GRAIN HEADERS  
HOUSING

HOUSING  
FLEX



**FH & RH GRAIN HEADERS  
HOUSING**

17

**HOUSING  
FLEX**

ITEM	NUMBER	QTY	DESCRIPTION
45	71376621	1	RETARDER, FRONT, LH ANGLE (18')
	71376733	1	RETARDER, FRONT, LH ANGLE (20')
	71375509	1	RETARDER, FRONT, LH ANGLE (25')
	71375358	1	RETARDER, FRONT, LH ANGLE (30')
	71376622	1	RETARDER, FRONT, RH ANGLE (18')
	71376732	1	RETARDER, FRONT, RH ANGLE (20')
	71375508	1	RETARDER, FRONT, RH ANGLE (25')
	71372818	1	RETARDER, FRONT, RH ANGLE (30')
	71377296	2	RETARDER, FRONT
	71335690	AR	SCREW, SELF TAP, 5/16 X 3/4 TORX
46	71357716	2	ANGLE, TILT ARM, INTMD.(REF. TILT ARMS) (18', 25' & 30')
	71357715	2	ANGLE, TILT ARM, INTERMEDIATE (20')
	71357719	2	ANGLE, TILT ARM, INTERMEDIATE (25')
	71357717	2	ANGLE, TILT ARM, INTERMEDIATE (18') (QTY 4 FOR 30')
	71366153	2	ANGLE, TILT ARM, OUTER (25')
	71357714	4	ANGLE, TILT ARM, OUTER (20') (QTY. 2 FOR 30')
	71335689	AR	SCREW, SELF TAP, 3/8 X 3/4 TORX
	70922134	AR	NUT, LOCK 1/2
	70923502	AR	CAPSCREW, 1/2 X 4
	47	71374395	1
71374396		1	FILLER, FRONT, (RH)
48	71399829	1	RISER WLDMT, LH (NOT ILLUSTRATED)
	70919089	7	CAPSCREW, 1/2-13 X 1-3/4
	Y705046	7	LOCKWASHER, 1/2
49	71399830	1	RISER WLDMT, RH (NOT ILLUSTRATED)
	70919089	7	CAPSCREW, 1/2-13 X 1-3/4
	Y705046	7	LOCKWASHER, 1/2
50	71383783	4	SHIM, HEADER LEVELING
-	71402104	AR	KIT, HDR HOOKUP GRP (HIGH NON-LTM, INCL. ITEMS 48-50)(ORDER THRU DLR CENTRAL)
-	71530239	AR	KIT, NON LTM (INCLUDE * ITEMS) (ORDER THRU DEALER CENTRAL)

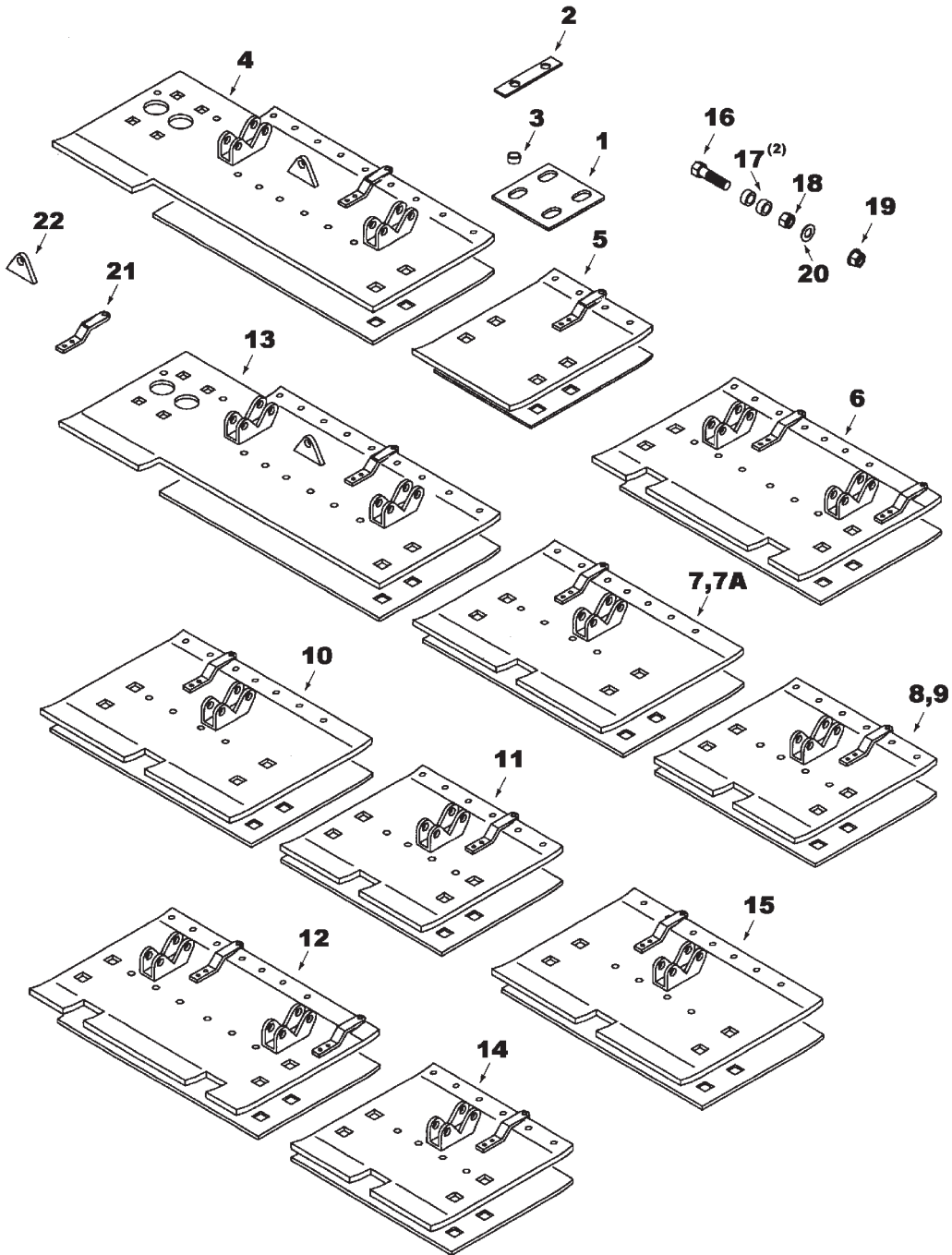
71376611  
PR: 10

FH & RH GRAIN HEADERS  
HOUSING

SKID ASSEMBLIES  
FLEX

30'	4	5	14	10	7	5	8	11	15	5	6
25'	13	5	10	7	5	8	11	5	12		
20'	4	5	8	7A	5	9	7	5	6		

18'	4	5	7	5	8	5	6
-----	---	---	---	---	---	---	---



**FH & RH GRAIN HEADERS  
HOUSING**

19

**SKID ASSEMBLIES  
FLEX**

ITEM	NUMBER	QTY	DESCRIPTION
1	71315613	AR	BRACKET, ATTACHING
2	71315614	AR	STRAP, ATTACHING
3	71315615	AR	SPACER, SKID PLATE
	70931350	AR	BOLT, 3/8X1 (TO ATTACH SKID PLATES)
	70931211	AR	NUT, FLANGED, 3/8 NC (TO ATTACH SKID PLATES)
4	71347757	1	PLATE, SKID (18')
	71373866	1	PLASTIC, SKID (LH)(18')
	71347389	1	PLATE, SKID (LH) (20' & 30') (USED WITH TYPE 1 STABILIZER ASY.)
	71399928	1	PLATE, SKID (LH) (20' & 30') (NOT SHOWN) (USED WITH TYPE 2 STABILIZER ASY.)
	71373860	1	PLASTIC, SKID (LH)(20' & 30')
	71398299	AR	**INSTRUCTION SHEET, SKID SHOE REPLACMNT
5	71347763	2	PLATE, SKID (18')
	71373867	3	PLASTIC, SKID (18')
	71347397	AR	PLATE, SKID (18', 20', 25' & 30')
	71373861	AR	PLASTIC, SKID (18', 20', 25' & 30')
6	71361396	1	PLATE, SKID (18')(RH)
	71373874	1	PLASTIC, SKID (18')(RH)
	71360678	1	PLATE, SKID (20' & 30')(RH)
	71373868	1	PLASTIC, SKID (20' & 30')(RH)
7	71347403	1	PLATE, SKID (18', 25' & 30')
	71373854	1	PLASTIC, SKID (18', 25' & 30')
	71347409	1	PLATE, SKID (20')
	71373857	1	PLASTIC, SKID (20')
7A	71347399	1	PLATE, SKID (20')
	71373862	1	PLASTIC, SKID (20')
8	71347405	1	PLATE, SKID (18', 25' & 30')
	71373855	1	PLASTIC, SKID (18', 25' & 30')
	71347407	1	PLATE, SKID (20')
	71373856	1	PLASTIC, SKID (20')
9	71347401	1	PLATE, SKID (20')
	71373853	1	PLASTIC, SKID (20')
10	71347411	1	PLATE, SKID (25' & 30')
	71373858	1	PLASTIC, SKID (25' & 30')

CONTINUED

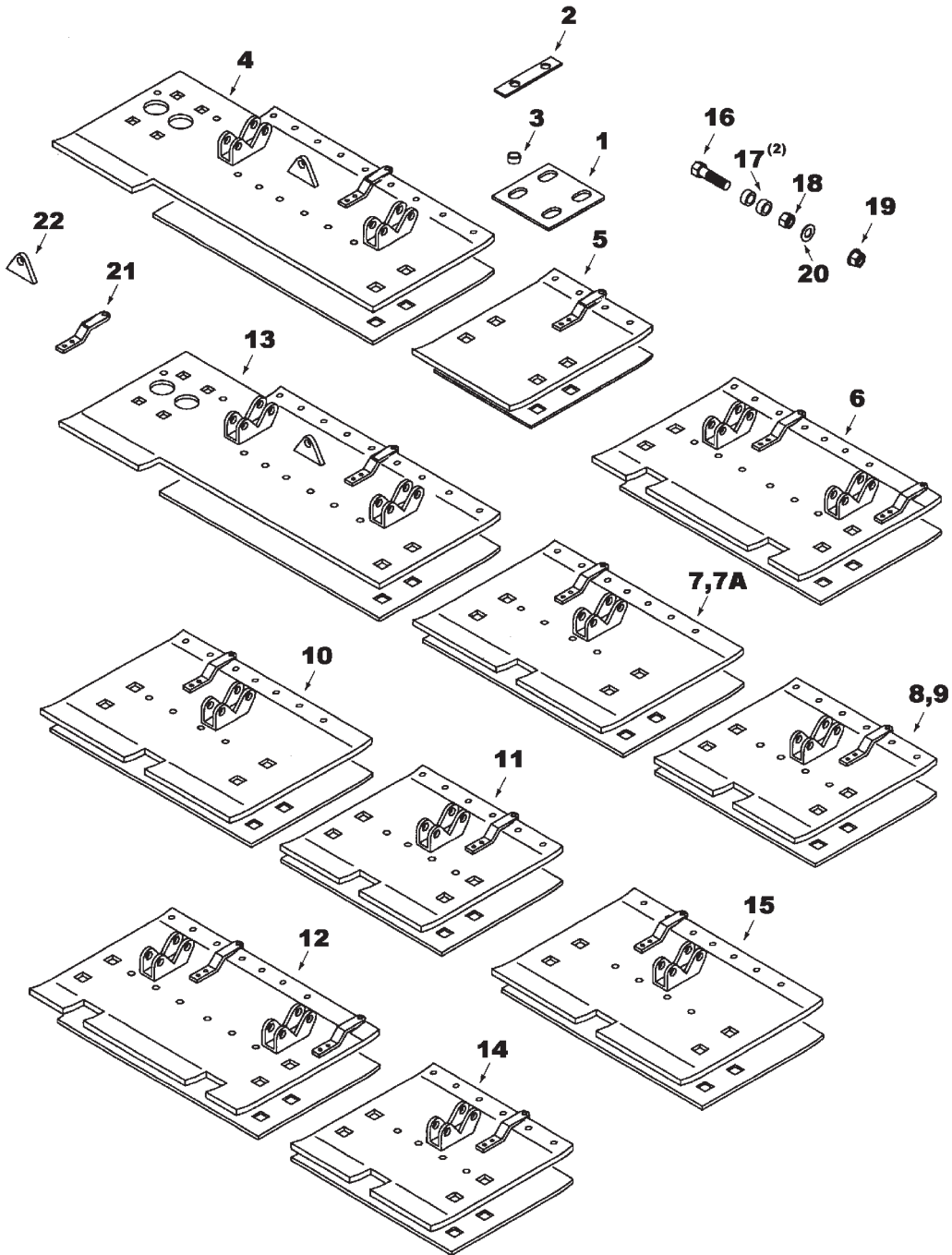
GGH0085  
PR: 18

FH & RH GRAIN HEADERS  
HOUSING

SKID ASSEMBLIES  
FLEX

30'	4	5	14	10	7	5	8	11	15	5	6
25'	13	5	10	7	5	8	11	5	12		
20'	4	5	8	7A	5	9	7	5	6		

18'	4	5	7	5	8	5	6
-----	---	---	---	---	---	---	---



**FH & RH GRAIN HEADERS  
HOUSING**

21

**SKID ASSEMBLIES  
FLEX**

ITEM	NUMBER	QTY	DESCRIPTION
11	71347413	1	PLATE, SKID (25' & 30')
	71373859	1	PLASTIC, SKID (25' & 30')
12	71366186	1	PLATE, SKID (25')(RH)
	71373871	1	PLASTIC, SKID (25')(RH)
13	71366189	1	PLATE, SKID (25')(LH) (USED WITH TYPE 1 STABILIZER ASY.)
	71399929	1	PLATE, SKID (25')(LH) (USED WITH TYPE 2 STABILIZER ASY.)(NOT ILLUSTRATED)
	71373872	1	PLASTIC, SKID (25')(LH)
	71398299	AR	**INSTRUCTION SHEET, SKID SHOE REPLACMNT
14	71366683	1	PLATE, SKID (30')(LH)
	71373869	1	PLASTIC, SKID (30')(LH)
15	71366681	1	PLATE, SKID (30')(RH)
	71373870	1	PLASTIC, SKID (30')(RH)
16	7701659	AR	CAPSCREW, 5/8-11 X 2.5
	70923111	AR	CAPSCREW, 5/8-11 X 3
17	71322606	AR	SPACER, MAIN LINK
18	7774458	AR	NUT, HEX FLNG SER LK 5/8-11
19	7774458	AR	NUT, FLANGED, 5/8-11
20	70918268	AR	WASHER, 5/8
21	71328226	AR	STRAP, SKID PAD
22	71312736	1	BLOCK, SUPPORT
23	70923220	AR	BOLT, RHSN, LONG NECK, 3/8 X 1-1/4 (USE W/PLASTIC SKID NOT ILLUSTRATED)
	70936495	AR	RIVET, MONOBOLT, 1/4 (USE W/PLASTIC SKID)
	79017113	AR	RIVET, HAMMER (USE W/PLASTIC SKID)
-	71530149	AR	*KIT, PLASTIC SKID PLATES (18')
-	71530150	AR	*KIT, PLASTIC SKID PLATES (20')
-	71530151	AR	*KIT, PLASTIC SKID PLATES (25')
-	71530152	AR	*KIT, PLASTIC SKID PLATES (30')

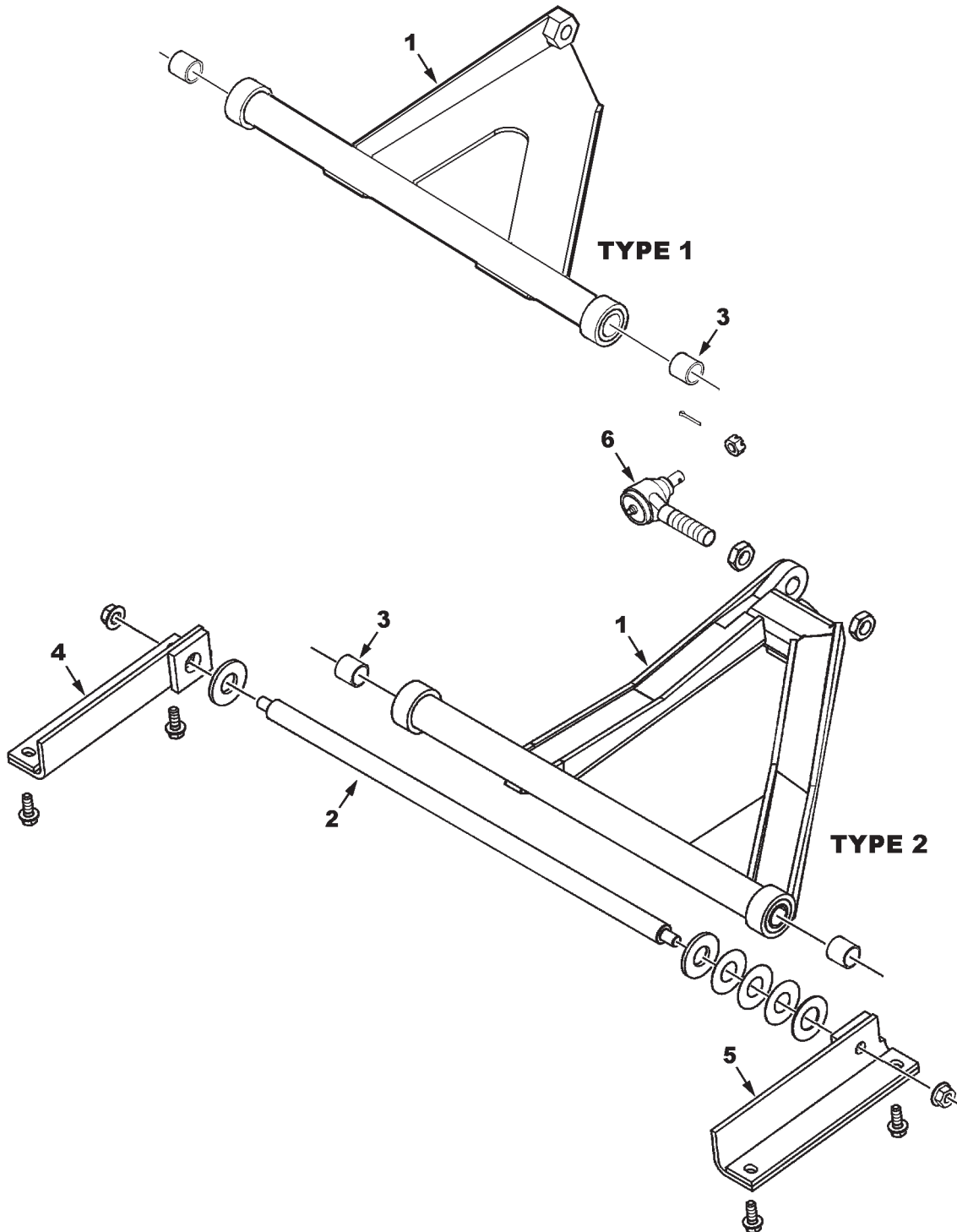
\*(ORDER FROM DEALER CENTRAL)

\*\*NOTE: INSTRUCTIONS FOR UPDATING LH  
FILLER PANEL WHEN REPLACING SKID PLATE/  
STABILIZER ASY. FROM TYPE 1 TO TYPE 2

GGH0085  
PR: 18

FH & RH GRAIN HEADERS  
HOUSING

STABILIZER  
FLEX



GGH0087



**FH & RH GRAIN HEADERS  
HOUSING**

23

**STABILIZER  
FLEX**

ITEM	NUMBER	QTY	DESCRIPTION
1	71390978	1	STABILIZER ASY. (TYPE 1)(20' & 30') (INCL. ITEM 3) (REF. SKID PLATE)
	059362N1	1	STABILIZER ASY. (TYPE 2)(20' & 30') (INCL. ITEM 3) (REF. SKID PLATE)
	71390981	1	STABILIZER ASY. (TYPE 1) (18') (INCL. ITEM 3)
	71390979	1	STABILIZER ASY. (TYPE 1) (25') (INCL. ITEM 3) (REF. SKID PLATE)
	059496N1	1	STABILIZER ASY. (TYPE 2) (25') (INCL. ITEM 3) (REF. SKID PLATE)
	71398299	AR	*INSTRUCTION SHEET, SKID SHOE REPLACEMNT
2	71327867	1	SHAFT, STABILIZER (18')
	71327866	1	SHAFT, STABILIZER (20' & 30')
	71365972	1	SHAFT, STABILIZER (25')
	70931187	2	NUT, 1/2 NC SER FLG
	70935086	2	WASHER, HARDENED, 9.3 ID X 2.0 OD X .18
	70919329	AR	WASHER, PLAIN, 1.03 X 2 X 16GA
	71391982	AR	WASHER, SHIM (.015")
	71322827	2	BUSHING
4	71374355	1	BRACKET ASY., STABILIZER, LH
5	71374354	1	BRACKET ASY., STABILIZER, RH
	7703424	4	CAPSCREW, SER. FLG., 3/8-16 X 1
6	71127532	1	SOCKET ASY.
	71115607	2	NUT, JAM, 11/16NC
	70917422	1	NUT, SLOTTED, 1/2NC
	70918448	1	PIN, COTTER, .094 X 1
-	79021648	AR	PRIMER
-	79021668	AR	LOCTITE

\*NOTE: INSTRUCTIONS FOR UPDATING LH  
FILLER PANEL WHEN REPLACING SKID PLATE/  
STABILIZER ASY. FROM TYPE 1 TO TYPE 2

GGH0087  
PR: 22



**FH & RH GRAIN HEADERS  
HOUSING**

25

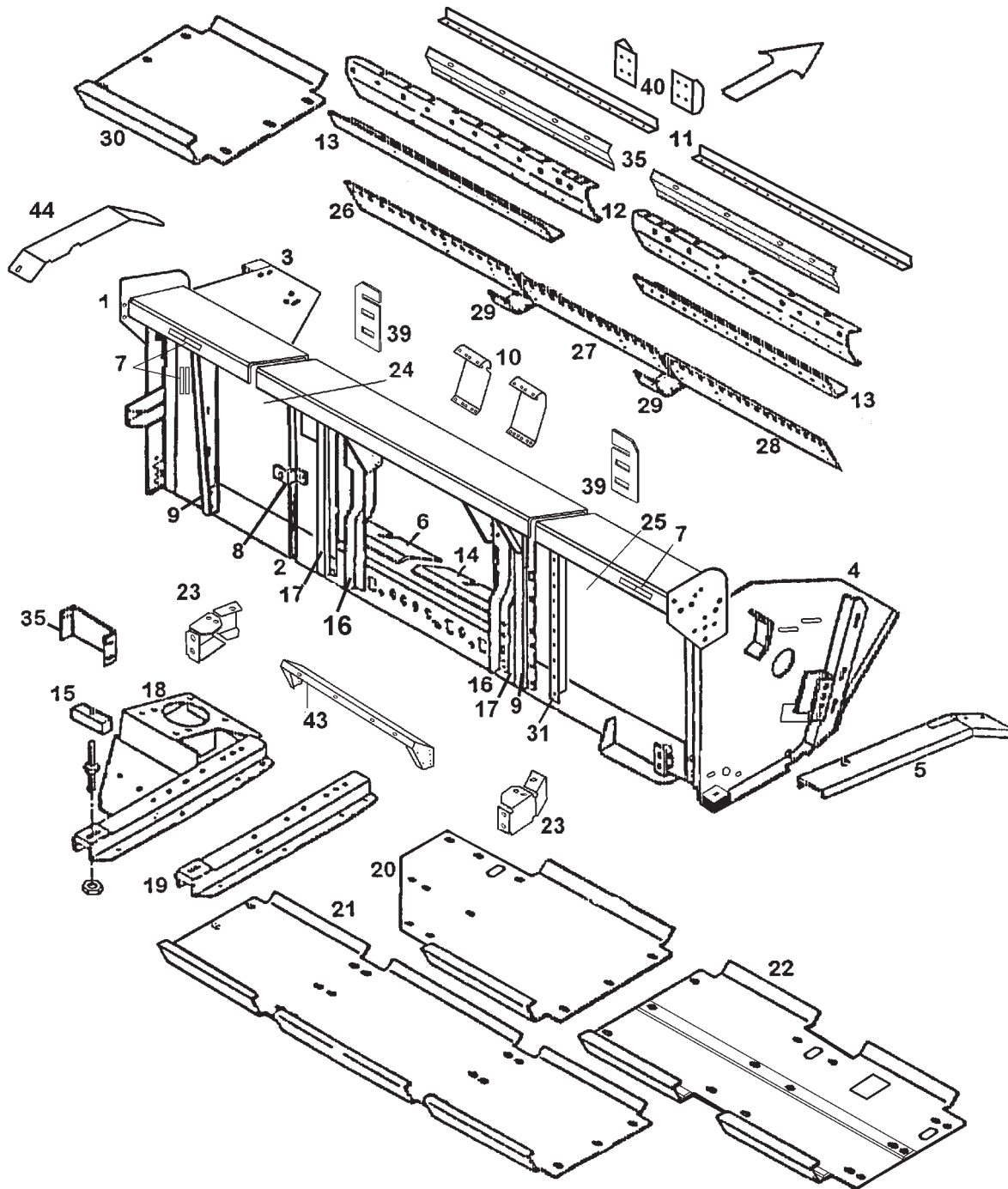
**TILT ARMS  
FLEX**

ITEM	NUMBER	QTY	DESCRIPTION
1	71374267	1	ARM WLDMT., TILT, (RH OUTER)
	71374265	AR	ARM WLDMT., TILT, CENTER
	71374268	1	ARM WLDMT., TILT, (LH OUTER)
2	71340333	AR	STABILIZER ASY., UPPER (INCL. ITEMS 3-5)
3	71328149	AR	END, ROD
4	71340350	AR	BUSHING, 1.0 LG (2 PER STABILIZER ASY.)
5	70922014	AR	NUT, JAM 5/8
6	71377904	AR	STABILIZER ASY., LOWER (INCL. ITEMS 3-5)
7	71342621	AR	PIN WLDMT., UPPER STABILIZER
	365775X1	AR	SCREW, TAPTITE 1/2-20 X 1/2
8	71320312	AR	BAR, CUTTERBAR LOCK-UP
	70930598	AR	SCREW, TAPTITE 3/8-16 X 1-1/2
9	71342623	AR	PIN WLDMT.
	365775X1	AR	SCREW, TAPTITE 1/4 - 20 X 50
10	71338689	AR	GUIDE ASY., SPRING (INCL. BUSHING)
	71340350	AR	BUSHING
11	71311340	AR	SPRING
	70918268	AR	WASHER 5/8 SAE
	70923353	AR	NUT, LOCK 5/8
12	71309584	AR	BLOCK, ADJUSTING
13	71327861	AR	BOLT, DRAW, TILT ARM
	70923353	AR	NUT, LOCK, 5/8

71374264  
PR: 24

### FH & RH GRAIN HEADERS HOUSING

HOUSING  
RIGID



**FH & RH GRAIN HEADERS  
HOUSING**

27

**HOUSING  
RIGID**

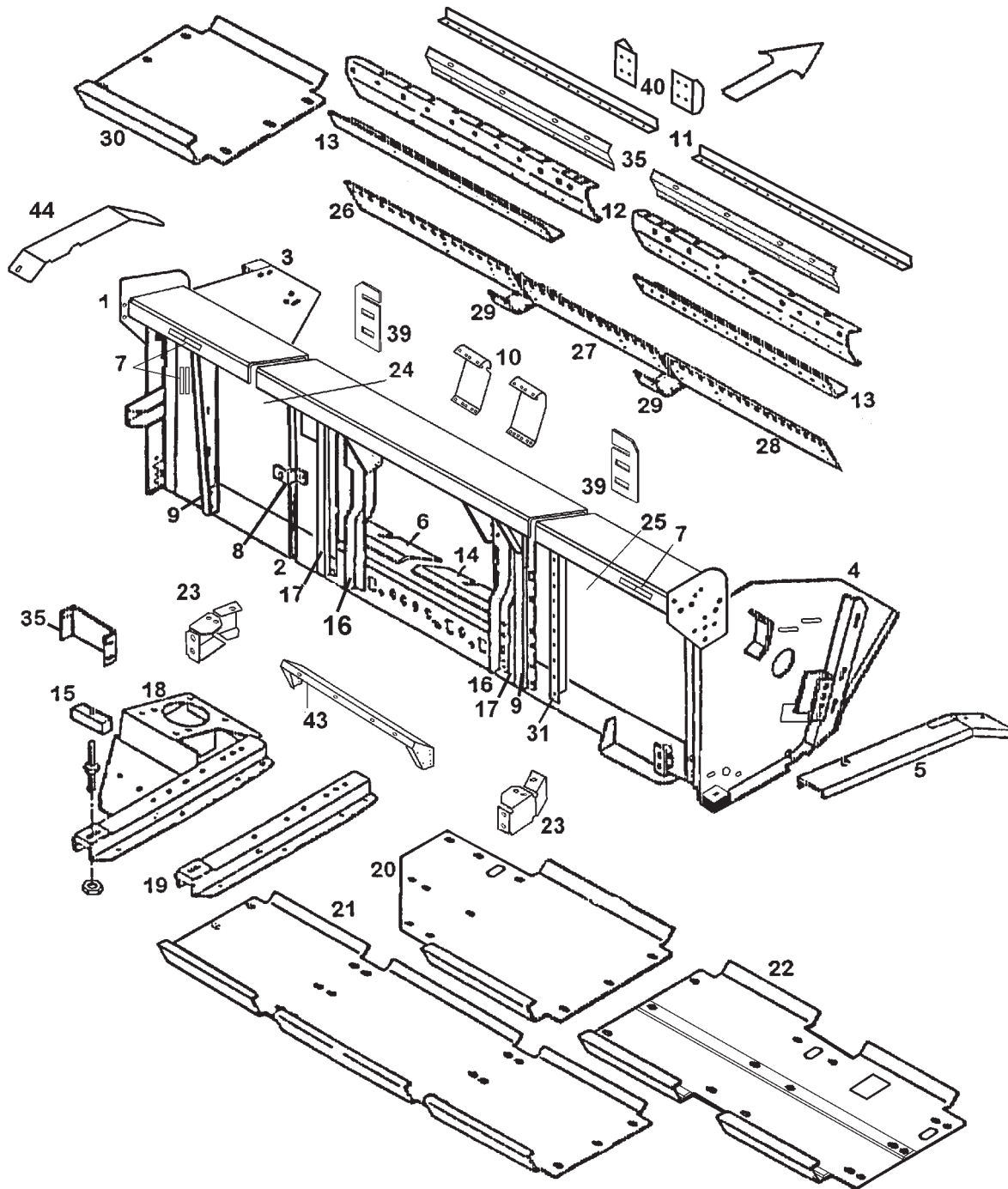
ITEM	NUMBER	QTY	DESCRIPTION	
1	71377600	1	TRUSS ASY. (25')	
	71377597	1	TRUSS ASY. (30')	
	71385088	1	CHART, LUBRICATION	
	71378613	1	DECAL, HEADER	
	70937658	AR	GROMMET, 7/8" I.D. X 1-5/8" O.D.	
2	71375396B	1	FRAME ASY., LOWER (25')	
	71375732	1	FRAME ASY., LOWER (30')	
3	71394589B	1	END ASY. LH	
	71324207	AR	REFLECTOR, AMBER	
	70918147	2	SCREW, #10 X 1/2	
	70910533	2	WASHER, LOCK, #10	
	70917415	2	NUT, #10	
	Y705624	1	WASHER, 1/2	
	70924744	4	CAPSCREW, 5/8NC X 1-1/2	
	70918268	4	WASHER, 5/8	
	70917373	4	LOCKWASHER, 5/8	
	70923502	AR	CAPSCREW, 1/2NC X 4	
	70922134	AR	NUT, LOCK, 1/2NC	
	4	71373635	1	END ASY., RH (25' & 30')
		70924744	4	CAPSCREW, 5/8NC X 1-1/2
		70918268	4	WASHER, 5/8
		70917373	4	LOCKWASHER, 5/8
70923502		AR	CAPSCREW, 1/2NC X 4	
70922134		AR	NUT, LOCK, 1/2NC	
Y705624		1	WASHER, 1/2	
5	71366166	1	REINFORCEMENT, END, RH (25' & 30')	
	71373374	1	REINFORCEMENT, END, LH (25' & 30')	
	70931350	AR	BOLT, RHSN, 3/8 X 1.0	
	7703424	AR	CAPSCREW, 3/8 X 1.0	
	70931211	AR	NUT, SER. FLG., 3/8	
6	71399926	1	STRIP, SEAL LH	
	71335690	6	SCREW, TORX 5/16 X 3/4	
7	700717402	2	REFLECTOR, RED (QTY. 4 FOR 30')	
	700717404	2	REFLECTOR, ORANGE (QTY. 4 FOR 30')	
8	71354496	1	BRACKET, REEL LIFT HOSE	
	70927075	1	BOLT, RHSN 5/16 X 1	
	70931277	1	NUT, FLANGED, 5/16NC	
9	71380114	3	POST, INTERMEDIATE (QTY.5 FOR 30')	
	70931348	AR	BOLT, 3/8NC X 3/4	
	70931211	AR	NUT, FLANGED, 3/8NC	
	70931350	AR	BOLT, 3/8 X 1	
	70918430	AR	WASHER, FLAT, 1/2 X 1-1/4 X 14GA	
	70927075	AR	BOLT, RHSN, 5/16 X 1.0	
	70931277	AR	NUT, SER. FLG., 5/16	
	70923683	AR	SCREW, TAPTITE, 3/8 X 3/4	
10	71375359	1	WEARPLATE, RETARDER, LH	
	71375270	1	WEARPLATE, RETARDER, RH	
11	71375510	2	RETARDER, ANGLE, REAR (25')	
	71372968	2	RETARDER, ANGLE, REAR (30')	
	71335690	AR	SCREW, SELF TAP, 5/16 X 3/4	
	70931209	AR	NUT, FLANGED, 1/4NC	

CONTINUED

71376608  
PR: 26

FH & RH GRAIN HEADERS  
HOUSING

HOUSING  
RIGID



**FH & RH GRAIN HEADERS  
HOUSING**

29

**HOUSING  
RIGID**

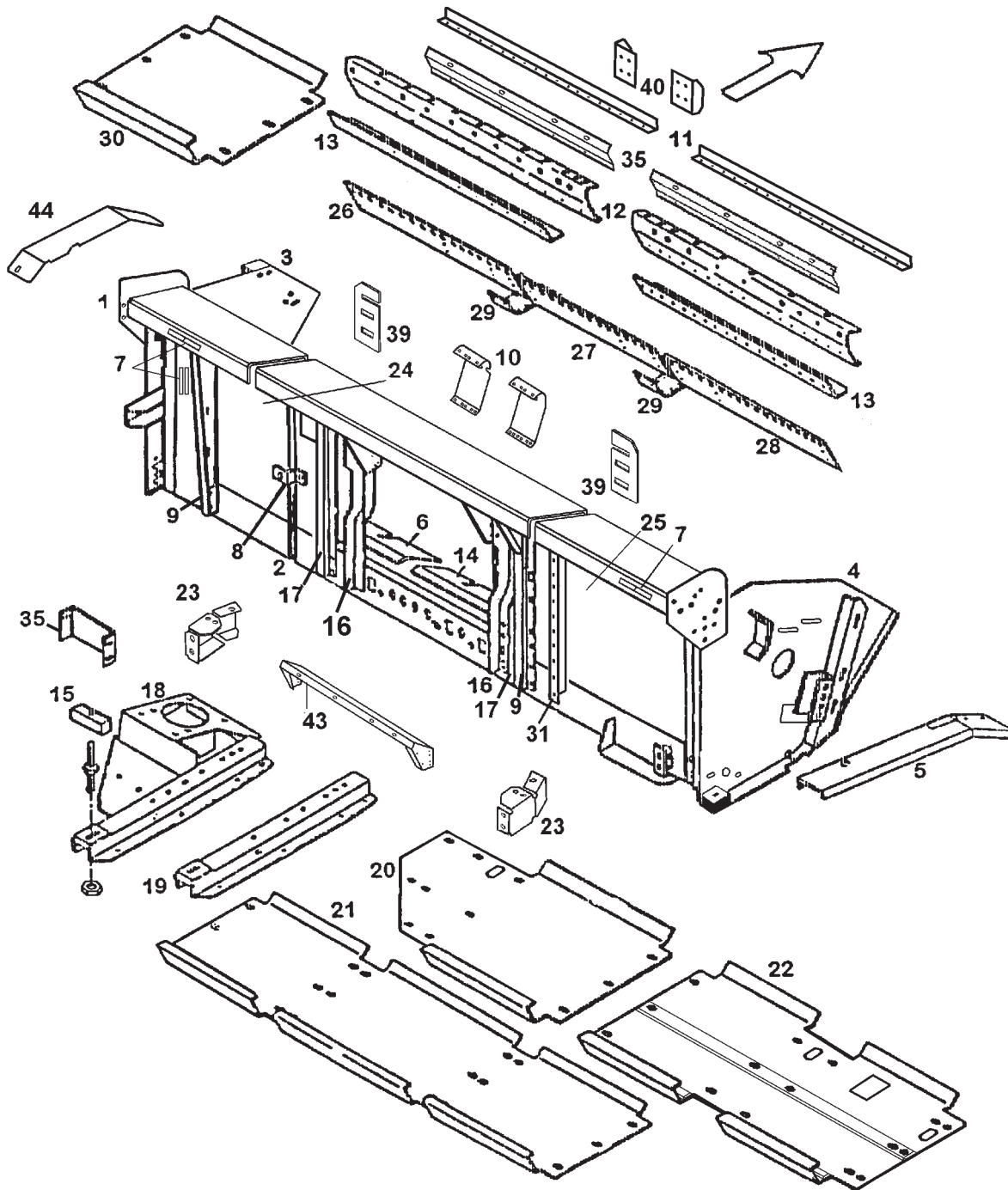
ITEM	NUMBER	QTY	DESCRIPTION	
12	71375514	1	RETARDER, STRAW, UPPER, LH (25')	
	71375378	1	RETARDER, STRAW, UPPER, LH (30')	
	71375512	1	RETARDER, STRAW, UPPER, RH (25')	
	71375269	1	RETARDER, STRAW, UPPER, RH (30')	
	71335690	AR	SCREW, TORX 5/16 X 3/4	
	70927075	AR	BOLT, 5/16NC X 1	
	70931277	AR	NUT, SER. FLG., 5/16	
	70931348	AR	BOLT, RHSN, 3/8 X 3/4	
	70931211	AR	NUT, SER. FLG., 3/8	
	70936495	AR	RIVET, MONOBOLT, 1/4	
13	71375509	1	RETARDER, ANGLE, FRONT, LH (25')	
	71375358	1	RETARDER, ANGLE, FRONT, LH (30')	
	71375508	1	RETARDER, ANGLE, FRONT, RH (25')	
	71372818	1	RETARDER, ANGLE, FRONT, RH (30')	
	71377296	2	RETARDER, FRONT	
	71335690	AR	SCREW, THRD. FORMING, 5/16 X 3/4	
	70936495	AR	RIVET, MONOBOLT, 1/4	
14	71370457	1	STRIP, SEAL RH	
	71335690	AR	SCREW, TORX, 5/16 X 3/4	
15	71309584	8	BLOCK, ADJUSTING (QTY. 10 FOR 30')	
	71327861	8	DRAWBOLT, TILT ARM (QTY. 10 FOR 30')	
	70923353	AR	NUT, JAM, 5/8NC	
16	71375353	1	POST ASY., INNER, LH (LTM)	
	71375354	1	POST ASY., INNER, RH (LTM)	
	71375273	1	*POST ASY., INNER, LH	
	71375272	1	*POST ASY., INNER, RH	
	70927075	4	BOLT, RHSN, 5/16 X 1.0	
	70931277	4	NUT, SER FLANGE, 5/16	
	70930228	AR	SCREW, FLAT HD, 5/16 X 3/4	
	70923683	AR	SCREW, TAPTITE, 3/8 X 3/4	
	17	71377589	1	POST WLMT., MAIN LH
71377588		1	POST WLMT., MAIN, RH	
70931809		AR	BOLT, RHSN, 1/2 X 1-1/4	
70918430		AR	WASHER, FLAT, 1/2 X 1 1/4 X 14GA (BETWEEN POST AND TRUSS)	
70931187		AR	NUT, FLANGED, 1/2	
70924744		AR	CAPSCREW, 5/8 X 1-1/2	
70927075		AR	BOLT, RHSN, 5/16 X 1.0	
70931277		AR	NUT, SER. FLG., 5/16	
18		71385135	1	SUPPORT ASY., WOBBLE BOX
19		71371917	7	ARM ASY., TILT (QTY. 9 FOR 30')
	71335689	57	SCREW, SELF TAP, 3/8 X 3/4	
20	71375520	1	GUARD, ROCK, LH (25')	
	71373388	1	GUARD, ROCK, LH (30')	
	71335689	AR	SCREW, 3/8NC X 3/4 THRD FORMING, (TORX)	
21	71373386	1	GUARD, ROCK, CENTER (25' & 30')	
	71335689	AR	SCREW, TORX 3/8-16 X 3/4	

CONTINUED

71376608  
PR: 26

FH & RH GRAIN HEADERS  
HOUSING

HOUSING  
RIGID





**FH & RH GRAIN HEADERS  
HOUSING**

31

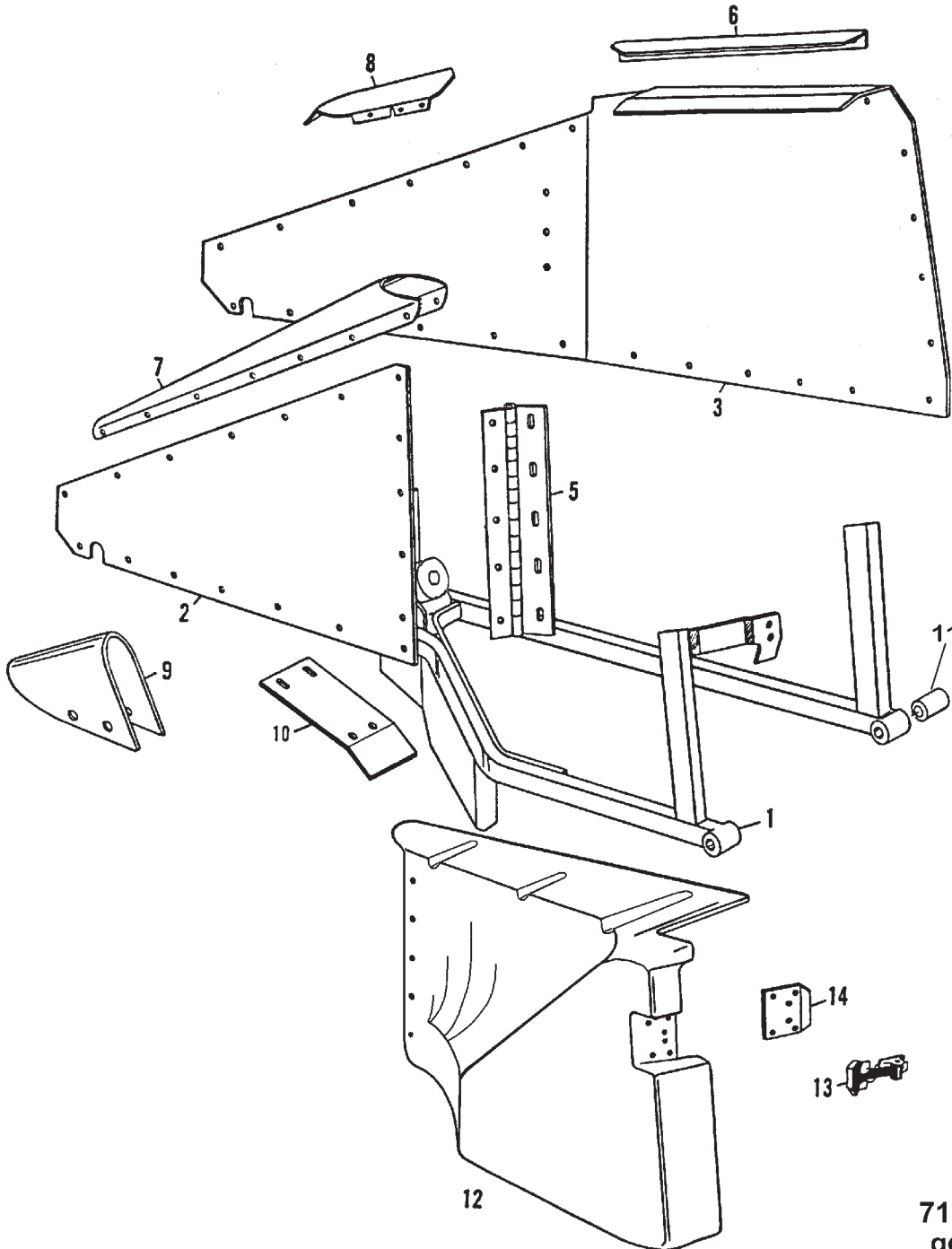
**HOUSING  
RIGID**

ITEM	NUMBER	QTY	DESCRIPTION
22	71375521	1	GUARD, ROCK, RH (25')
	71373387	1	GUARD, ROCK, RH (30')
	71335689	AR	SCREW, TORX 3/8-16 X 3/4
23	71375267	1	GUIDE, LH
	71375268	1	GUIDE, RH
	70934656	4	CAPSCREW, SER. FLG., 1/2 X 1.5
	70931187	4	NUT, SER. FLG., 1/2
24	71375501B	1	BACK, HEADER, LH (25')(BLACK)
	71380140B	1	BACK, HEADER, LH (30')(BLACK)
	79016594	AR	KIT, HUCKBOLT (INCL 1 EA HUCKBOLT & COLLAR)
25	71375400B	1	BACK, HEADER, RH (25')(BLACK)
	71380139B	1	BACK, HEADER, RH (30')(BLACK)
	79016594	AR	KIT, HUCKBOLT (INCL 1 EA HUCKBOLT & COLLAR)
26	71375505	1	BOTTOM, PAN, LH (25')
	71372821	1	BOTTOM, PAN, LH (30')
27	71372815	1	BOTTOM, PAN, CENTER (25 & 30')
28	71375506	1	BOTTOM, PAN, RH (25')
	71372822	1	BOTTOM, PAN, RH (30')
29	71372820	2	SPLICE, BOTTOM (CENTER TO RH & LH) (25' & 30')
30	71375522	1	GUARD, ROCK, INTERMEDIATE (25')
	71373385	1	GUARD, ROCK, INTERMEDIATE (30')
31	71380171	1	POST, REAR, RH
	70918430	AR	WASHER, FLAT, 1/2 X 1-1/4 X 14GA
32	71407206B	2	PLATE, DEFLECTOR (NOT ILLUSTRATED)
35	71375371	1	*PLATE WLMT, FILLER
	70923683	4	SCREW, THRD FORMING, 3/8 X 3/4
	7703424	4	CAPSCREW, SER. FLG., 3/8 X 1.0
39	71375379	2	EXTENSION, FAIRING
40	71375375	2	*STIFFENER, ANGLE, INNER POST
	70934656	4	CAPSCREW, 1/2 X 1-1/2
43	71375266	1	HANGER, WLMT
	70923320	6	CAPSCREW, 1/2 X 3.0
	7701592	2	CAPSCREW, SER. FLG., 1/2 X 1.0
	70931187	8	NUT, SER. FLG., 1/2
44	71373663	1	DEFLECTOR, WOBBLE BOX
	365775X1	AR	CAPSCREW, 1/4 X 1/2
45	71399829	1	RISER WLDMT, LH (NOT ILLUSTRATED)
	70919089	7	CAPSCREW, 1/2-13 X 1-3/4
	Y705046	7	LOCKWASHER, 1/2
46	71399830	1	RISER WLDMT, RH (NOT ILLUSTRATED)
	70919089	7	CAPSCREW, 1/2-13 X 1-3/4
	Y705046	7	LOCKWASHER, 1/2
47	71383783	4	SHIM, HEADER LEVELING (NOT ILLUSTRATED)
-	71402104	AR	KIT, HDR HOOKUP GRP (HIGH NON-LTM, INCL. ITEMS 45-47)(ORDER THRU DLR CENTRAL)
-	71530239	AR	KIT, NON LTM (INCLUDE * ITEMS) (ORDER THRU DEALER CENTRAL)

71376608  
PR: 26

FH & RH GRAIN HEADERS  
DIVIDERS

DIVIDERS  
FLEX



71366273.2  
ggh0009

**FH & RH GRAIN HEADERS  
DIVIDERS**

33

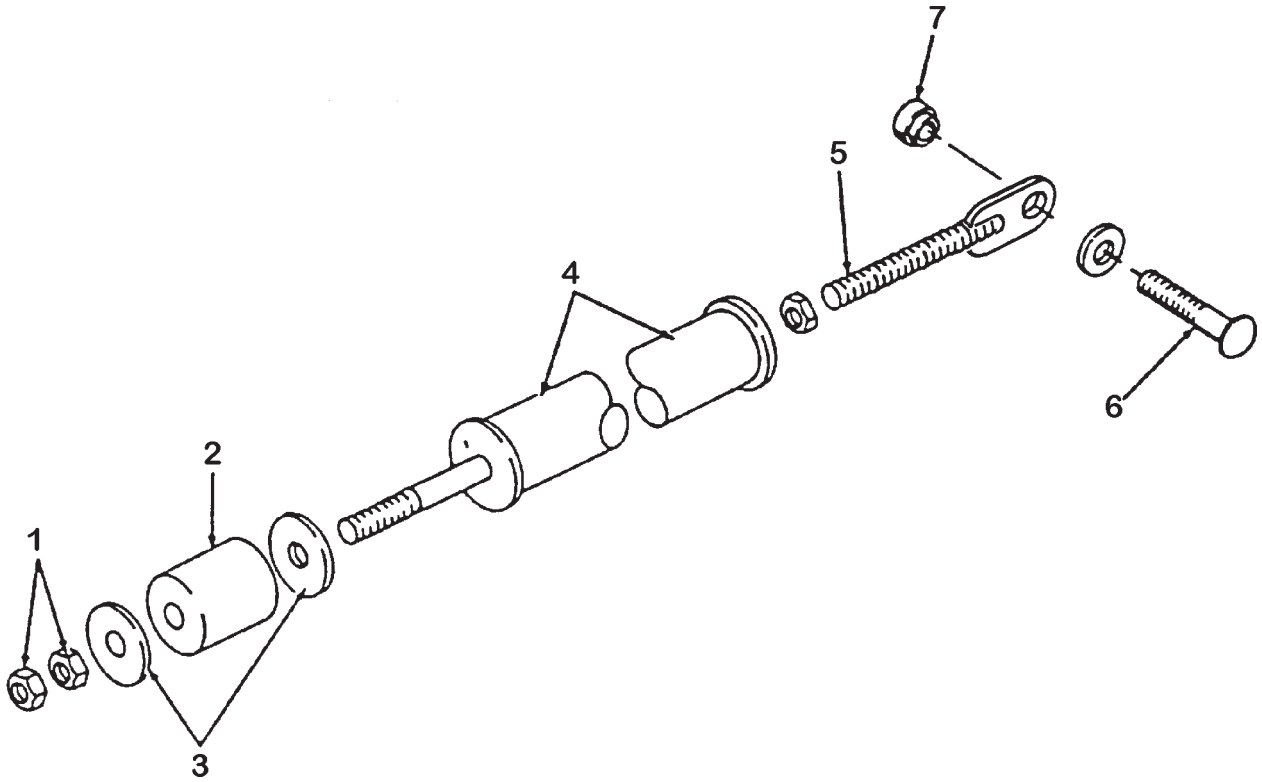
**DIVIDERS  
FLEX**

ITEM	NUMBER	QTY	DESCRIPTION
1	71374434	1	DIVIDER ASY., LH (INCL. ITEMS 2-7)
	71374428	1	DIVIDER ASY., RH
	70925148	2	(INCL. ITEMS 2-4, 7 & 8) CAPSCREW, 5/8 X 8
	70925704	1	CAPSCREW, 5/8 X 4-1/2
2	70918268	AR	WASHER, 5/8 SAE
	71365746	1	SIDE, LH, OUTER
	71374427	1	SIDE, RH, OUTER
	70924837	AR	RIVET, POP .188 X .277
3	70924280	AR	RIVET, POP .188 X .402
	71367659	1	SIDE, LH, INNER
	71365748	1	SIDE, RH, INNER
	70924837	AR	RIVET, POP .188 X .277
5	70924280	AR	RIVET, POP .188 X .402
	71367356	1	HINGE, WOBBLE BOX SHIELD
	70924280	AR	RIVET, POP .188 X .402
6	71374430	1	GUIDE, WOBBLE BOX SHIELD, UPPER
7	71365749	1	CONE, DIVIDER
	70924837	AR	RIVET, POP .188 X .277
8	71368005	1	CAP, CONE, RH
9	71366258	2	POINT, DIVIDER
	71369903	4	SPACER, DIVIDER POINT
	70931804	4	BOLT, RHSN 5/16 X 3
	70931277	4	NUT, WHIZLOCK 5/16
10	71366229	2	DEFLECTOR
	71335690	8	SCREW, TORX 5/16 X 3/4
11	71318962	4	SPACER, DIVIDER PIVOT
12	71375108	1	SHIELD WOBBLE BOX
	70918157	5	SCREW, TRUSSHEAD 1/4 X 3/4
	70931209	5	NUT, WHIZLOCK 1/4
13	71348712	1	LATCH, T-HANDLE
	70925160	2	RIVET, POP .188 X .527
14	71367653	1	SUPPORT, LATCH KEEPER
	70924280	4	RIVET, POP .188 X .402

GGH0009  
PR: 32

FH & RH GRAIN HEADERS  
DIVIDERS

STABILIZER & SPRING ASY.  
FLEX



71366273 .1  
ggh0008

FH & RH GRAIN HEADERS  
DIVIDERS

35

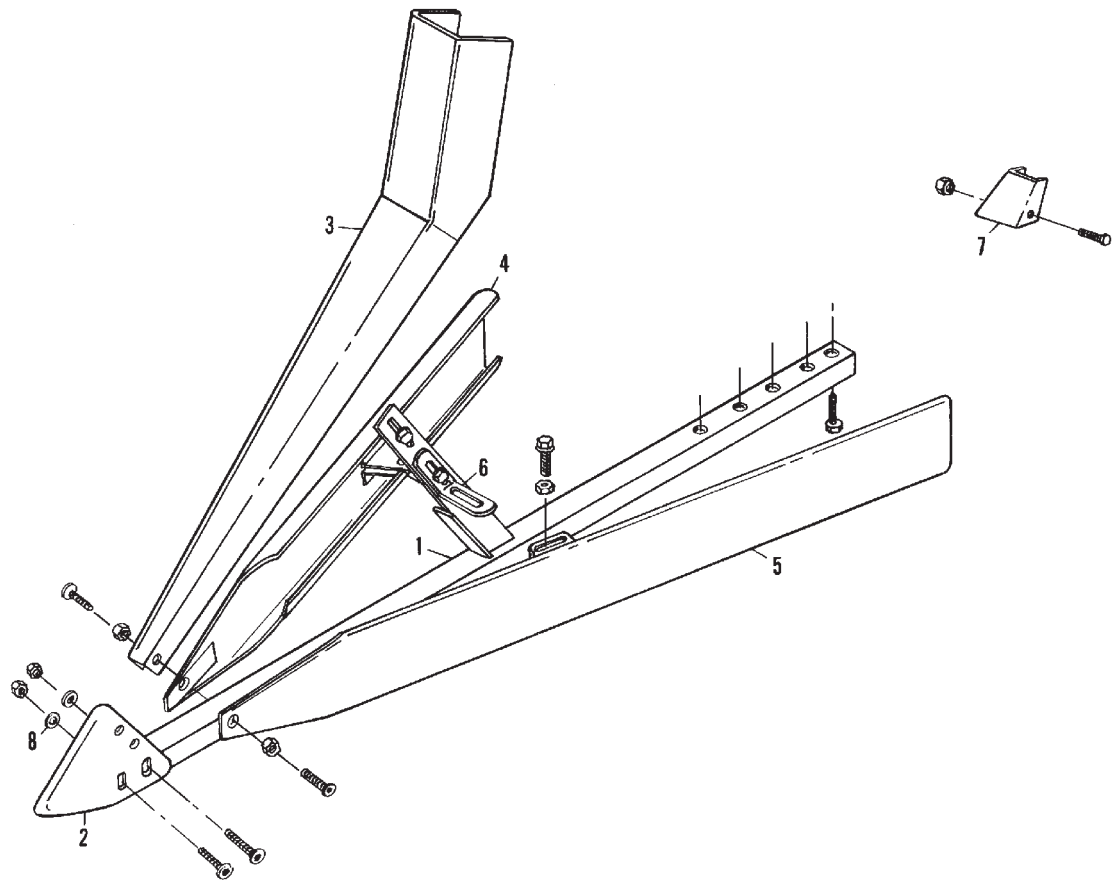
STABILIZER & SPRING ASY.  
FLEX

ITEM	NUMBER	QTY	DESCRIPTION
1	70918213	4	NUT, 7/16NC
2	71308201	3	DAMPER, RUBBER (BUSHING)
	71369922	AR	SPACER, STOP(RH)(2"O.D. X .73")(NOT ILL.
3	70920309	2	WASHER, .513 X 1.75 X 11 GA.
4	71366270	2	SPRING ASY.
5	71374436	2	ROD, DIVIDER
	70915726	2	NUT, 5/8NC
6	70929094	2	BOLT, 1/2NC X 2
	70918431	2	WASHER, 1/2 NC
	70922134	2	NUT, LOCK, 1/2NC
7	71354834	2	SPACER

GGH0008  
PR: 34

FH & RH GRAIN HEADERS  
DIVIDERS

LONGWING DIVIDER  
FLEX (8000)



71366259

**FH & RH GRAIN HEADERS  
DIVIDERS**

37

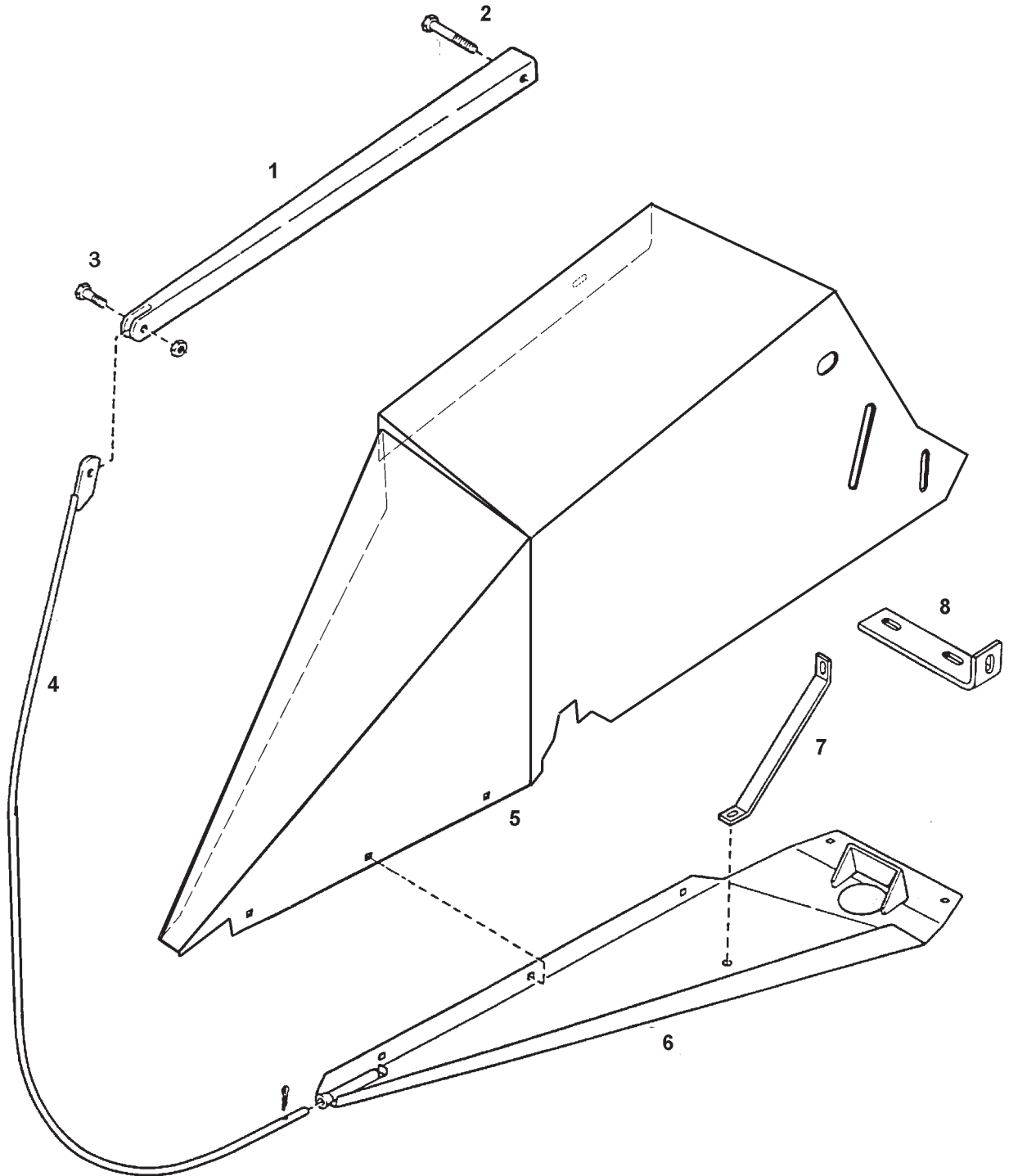
**LONG WING DIVIDER  
FLEX (8000)**

ITEM	NUMBER	QTY	DESCRIPTION
1	71366243	2	SUPPORT ASY., DIVIDER
	70921972	4	CAPSCREW 3/8 X 2-1/2
	70922755	4	WASHER, .406 X 1 X 10 GA.
	70916965	4	WASHER, LOCK, 3/8
2	71366258	2	POINT, DIVIDER
	70931804	4	BOLT, RHSN. 5/16 X 3
	70931277	4	NUT, WHIZLOCK 5/16
3	71366256	2	WING ASY., UPPER
	70936460	AR	SCREW, TORX, 5/16 X 3/4
	70923362	AR	NUT, LOCK 3/8
4	71366251	2	WING ASY., INNER
5	71366252	2	WING ASY., OUTER
	7703424	4	CAPSCREW, 3/8-16 X 1.0
	70931211	4	NUT, WHIZ LOCK 3/8
6	71366245	4	BRACKET, ANCHOR
	7773104	2	CAPSCREW, WHIZ 3/8 X 1-1/2
7	71367357	2	DEFLECTOR, WING DIVIDER
	70921719	2	CAPSCREW 5/16 X 2-1/2
	70931277	2	NUT, WHIZ 5/16
8	71369903	4	SPACER, DIVIDER POINT
-	71530464	1	KIT, WING DIVIDER (BOLT TO STD. DIVIDER) (ORDER FROM DEALER CENTRAL)

71366259  
PR: t05b03o56b0001

FH & RH GRAIN HEADERS  
DIVIDERS

DIVIDER - SHORT  
RIGID



71370126



**FH & RH GRAIN HEADERS  
DIVIDERS**

39

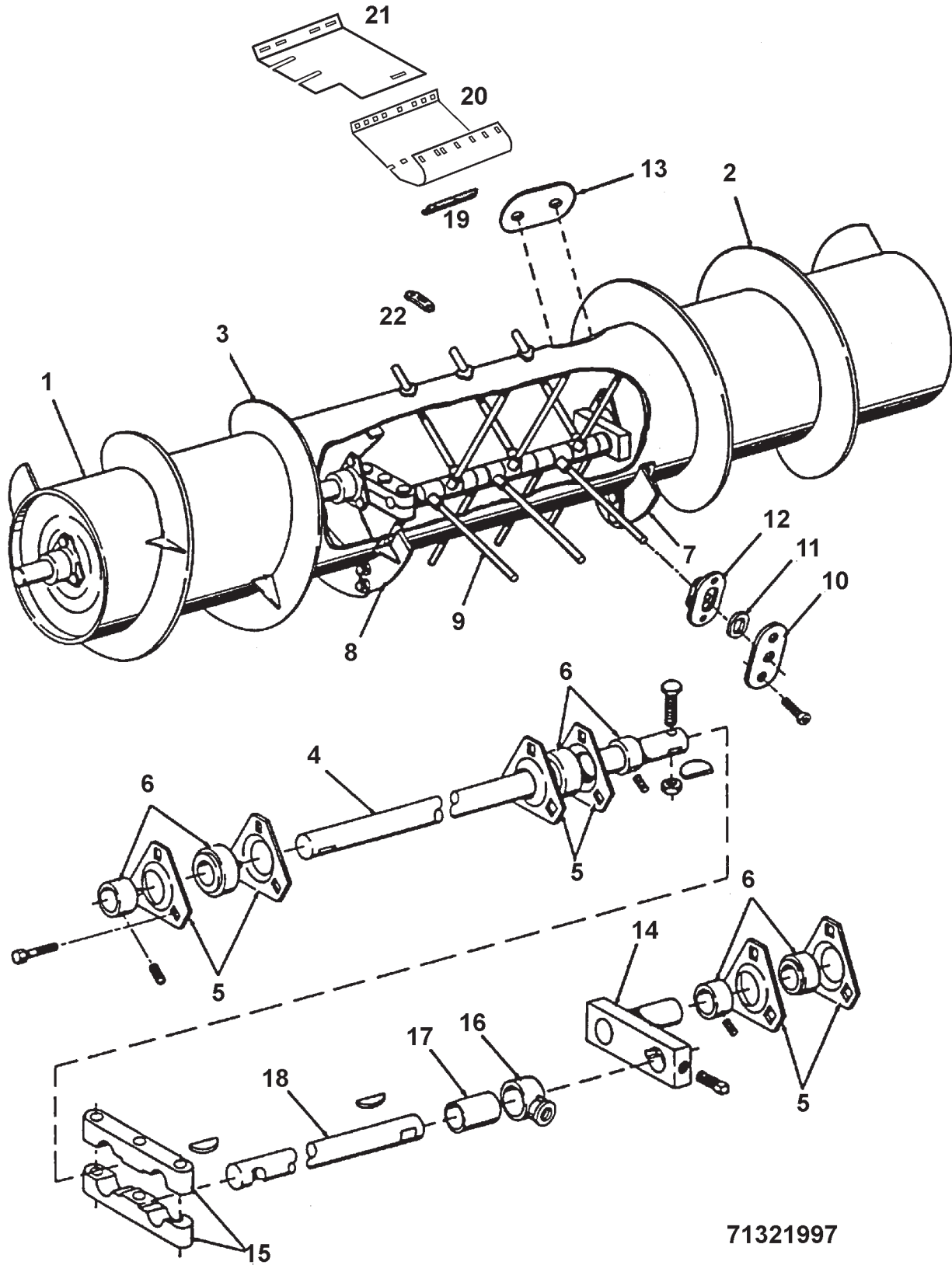
**DIVIDER - SHORT  
RIGID**

ITEM	NUMBER	QTY	DESCRIPTION
1	71321555	2	LINK, DIVIDER ROD
2	70921972	2	CAPSCREW, 3/8NC X 2-1/2
	Y704635	2	NUT, LOCK, 3/8NC
3	70921210	2	CAPSCREW, 3/8NC X 1
	Y704635	2	NUT, LOCK, 3/8NC
4	71323765	2	EXTENSION DIVIDER
	70918452	2	PIN, COTTER, 1/8 X 1
5	71373397	1	SHEET, DIVIDER, LH
	71373398	1	SHEET, DIVIDER, RH
	70931348	4	BOLT 3/8-16 X 3/4
	70931211	2	NUT, WHIZLOCK, 3/8NC
	70917378	2	WASHER, 3/8
	70931333	3	BOLT, 5/16NC X 3/4
	70931277	3	NUT, WHIZLOCK, 5/16NC
6	71348641	1	SHOE ASY., LH
	71348643	1	SHOE ASY., RH
	70921210	2	CAPSCREW, 3/8NC X 1 (F/RH SHOE)
	70931211	2	NUT, FLANGED, 3/8NC (F/RH SHOE)
	70931809	2	BOLT, 1/2NC X 1-1/4 (F/LH SHOE)
	70931187	2	NUT, FLANGED, 1/2NC (F/LH SHOE)
7	71349436	1	BRACE, DIVIDER
	70931333	1	BOLT, 5/16NC X 3/4
	70931277	1	NUT, WHIZLOCK, 5/16NC
8	71369850	1	SUPPORT, LH DIVIDER
	70921210	3	CAPSCREW, 3/8NC X 1
	70931211	3	NUT, SER. FLG. 3/8NC
	70917378	3	WASHER, FLAT 3/8USS

71370126  
PR: 36

FH & RH GRAIN HEADERS  
CONVEYOR

CONVEYOR  
FLEX & RIGID  
PRIOR S/N HP84101



**FH & RH GRAIN HEADERS  
CONVEYOR**

41

**CONVEYOR  
FLEX & RIGID  
PRIOR S/N HP84101**

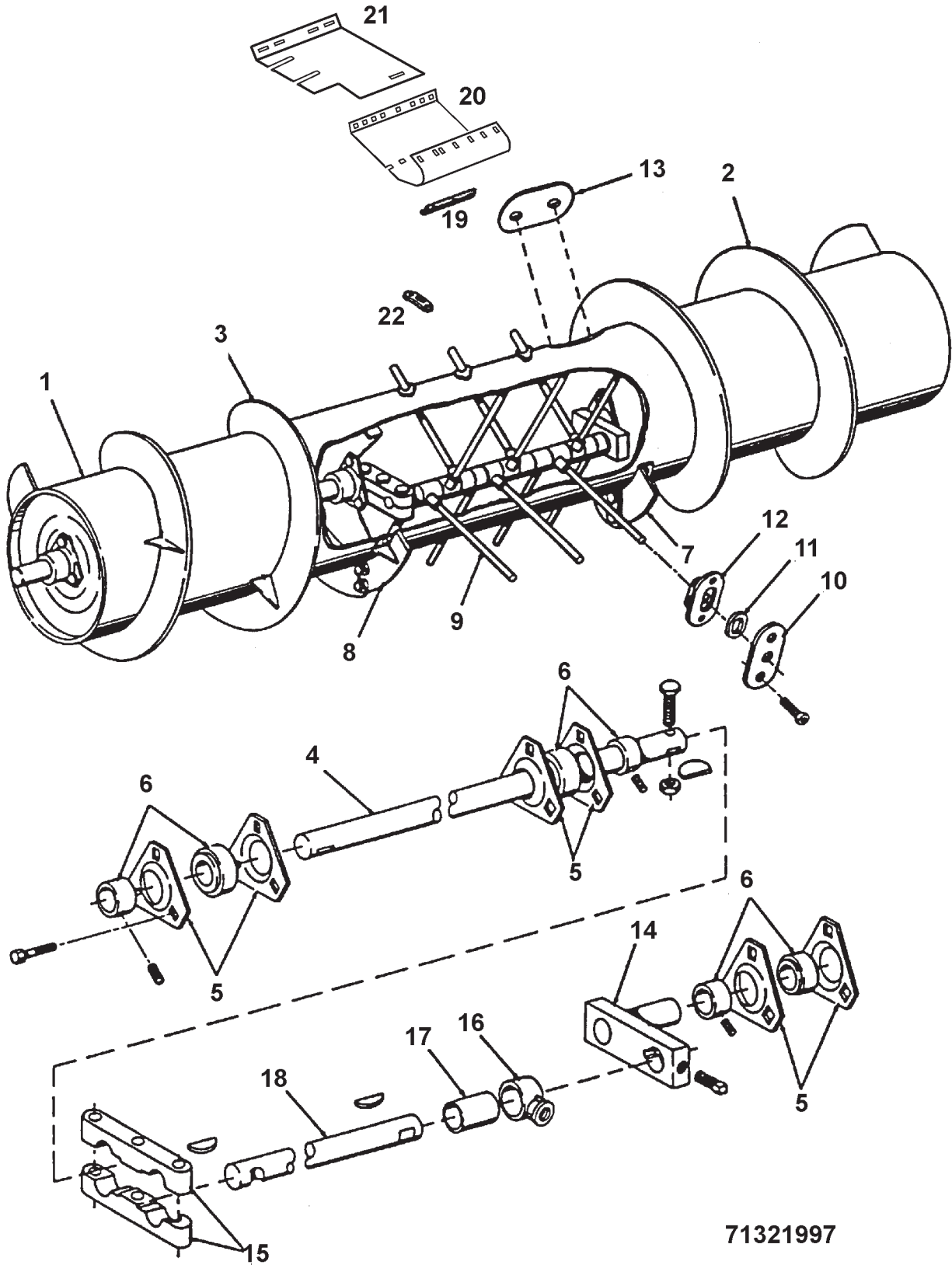
ITEM	NUMBER	QTY	DESCRIPTION
-	71378604G	1	CONVEYOR ASY., BOLTED - COMPLETE (18')
-	71378603G	1	CONVEYOR ASY., BOLTED - COMPLETE (20')
-	71378602G	1	CONVEYOR ASY., BOLTED - COMPLETE (25')
-	71378601G	1	CONVEYOR ASY., BOLTED - COMPLETE (30')
1	71378325G	1	CONVEYOR WLMT. (INCL. FLIGHTING)(18')
	71378324G	1	CONVEYOR WLMT. (INCL. FLIGHTING)(20')
	71378323G	1	CONVEYOR WLMT. (INCL. FLIGHTING)(25')
	71378322G	1	CONVEYOR WLMT. (INCL. FLIGHTING)(30')
2	71378311	1	FLIGHTING, LH (CUT EXCESS) (18 & 20')
	71378310	1	FLIGHTING, LH (CUT EXCESS) (25')
	71378309	1	FLIGHTING, LH (30')
3	71378315	1	FLIGHTING, RH (CUT EXCESS) (18 & 20')
	71378314	1	FLIGHTING, RH (CUT EXCESS) (25')
	71378313	1	FLIGHTING, RH (30')
4	71376507	1	SHAFT, DIA. 1-1/4", RH (18')
	71376508	1	SHAFT, DIA. 1-1/4", RH (20')
	71371630	1	SHAFT, DIA. 1-1/4", RH (25')
	71371871	1	SHAFT, DIA. 1-1/4", RH (30')
5	71127313	6	FLANGE, BEARING
	7703432	6	CAPSCREW, 3/8NC X 3/4 (FLANGED)
6	71308984	3	BEARING, 2-7/16" O.D., 1-1/4" I.D. (INCL. COLLAR)
	70534438	2	COLLAR
7	71396876	1	EXTENSION ASY., FLIGHTING, LH (7") (18, 20, 25 & 30')
	70931333	6	BOLT, 5/16NC X 3/4
	70931277	6	NUT, FLANGED, 5/16NC
8	71396877	1	EXTENSION ASY., FLIGHTING, RH (7") (18, 20, 25 & 30')
	70931333	6	BOLT, 5/16NC X 3/4
	70931277	6	NUT, FLANGED, 5/16NC
9	71373376	21	FINGER
	70913160	21	NUT, 3/4
10	71320327	2	COVER, GUIDE
11	71320323	21	GUIDE, FINGER

CONTINUED

71321997  
PR: 38

### FH & RH GRAIN HEADERS CONVEYOR

CONVEYOR  
FLEX & RIGID  
PRIOR S/N HP84101



71321997

**FH & RH GRAIN HEADERS  
CONVEYOR**

43

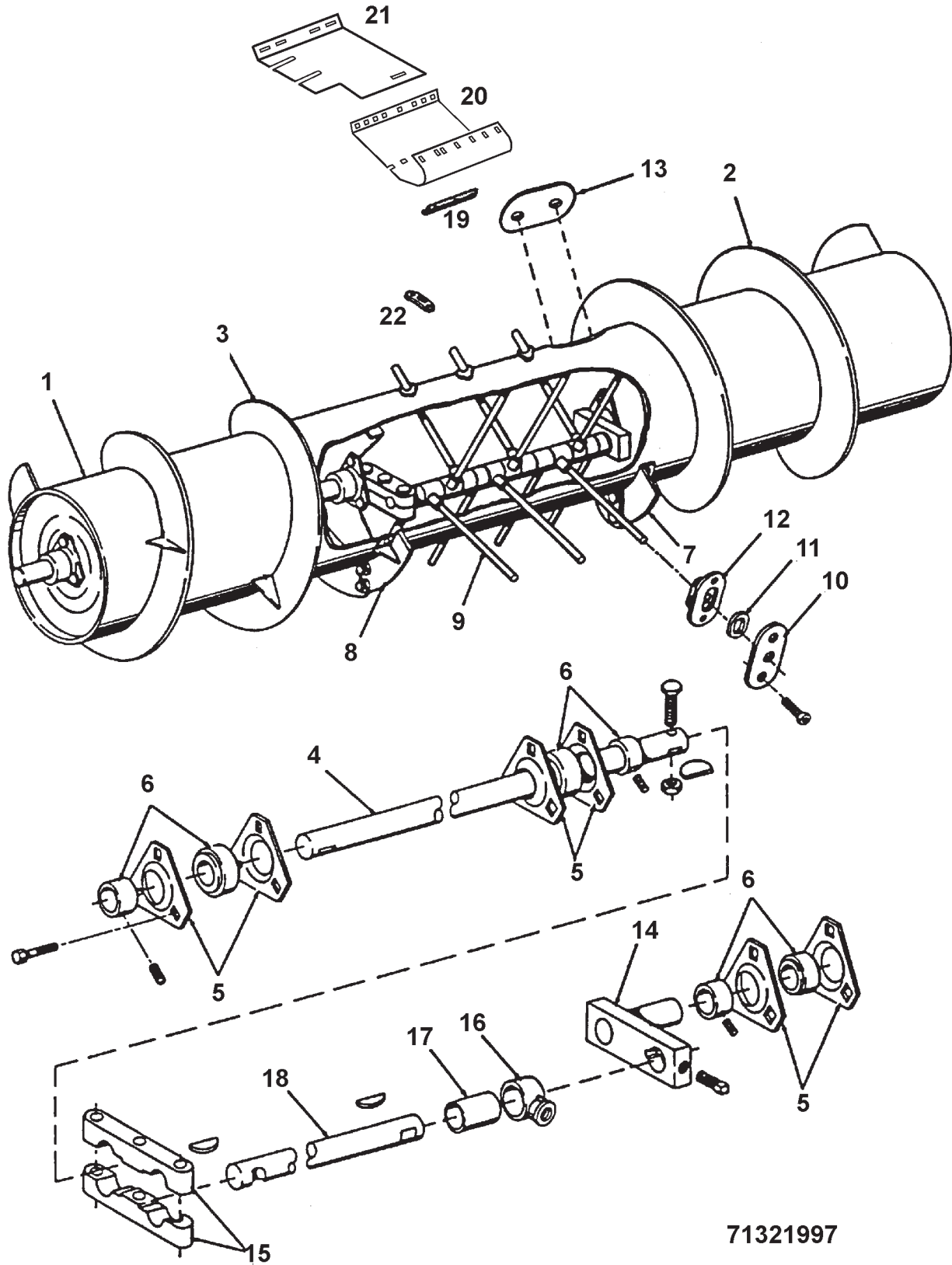
**CONVEYOR  
FLEX & RIGID  
PRIOR S/N HP84101**

ITEM	NUMBER	QTY	DESCRIPTION
12	71320326	21	SUPPORT, GUIDE
	71335690	42	SCREW, THRD. FRMNG, 5/16NCX3/4(TORX)
	71322875	1	WRENCH, TORX T40
13	71137123	2	COVER, HAND HOLE
	70918155	1	SCREW, TRUSS HD., 1/4NF X 1/2
	71139987	1	NUT, 1/4NF
	70921593	1	SCREW, SELF-TAP, NO. 8 X 3/4
	70909367	1	LOCKWASHER, INT. TOOTH, 1/4
14	71371925	1	CRANK ASY., LH
	29780X	1	KEY, WOODRUFF
	70920469	1	SETSCREW, 3/8NC X 3/4
15	71371417	2	CRANK, FINGER (RH)
	29780X	1	KEY, WOODRUFF
	70920990	4	CAPSCREW, 1/2NC X 3-1/2
	70931187	4	NUT, FLANGED, 1/2NC
16	71373363	21	RETAINER, FINGER
17	71176156	10	BEARING, PLASTIC
	71176360	1	BEARING, RETAINER
18	71332796	1	SHAFT, (39.685" O.L. x 1.125" O.D.)
19	71376070	1	EXTENSION, RETARDER
	71335690	3	SCREW, THRD FRMG, TORX, 5/16NC X 7/8
20	71375785	1	PLATE, WEAR, RH
	71377293	1	PLATE, WEAR, LH
	70931317	2	BOLT, RHSN, 1/4 X 3/4
	70931209	2	NUT, SER. FLG., 1/4
21	71377295	1	PANEL, FILLER, LH HOUSING
	71377294	1	PANEL, FILLER, RH HOUSING
	70931333	5	BOLT, RHSN, 5/16 X 3/4
	70931277	5	NUT, SER. FLG., 5/16
22	71324692	AR	COVER, FINGER HOLE
	70918265	AR	PLATE WASHER 5/16
23	71378613	1	DECAL, CLEARANCE WARNING (NOT SHOWN)

71321997  
PR: 38

FH & RH GRAIN HEADERS  
CONVEYOR

CONVEYOR  
FLEX & RIGID  
8000 & 7000  
EFFECTIVE S/N HP84101



71321997

**FH & RH GRAIN HEADERS  
CONVEYOR**

45

**CONVEYOR  
FLEX & RIGID  
8000 & 7000  
EFFECTIVE S/N HP84101**

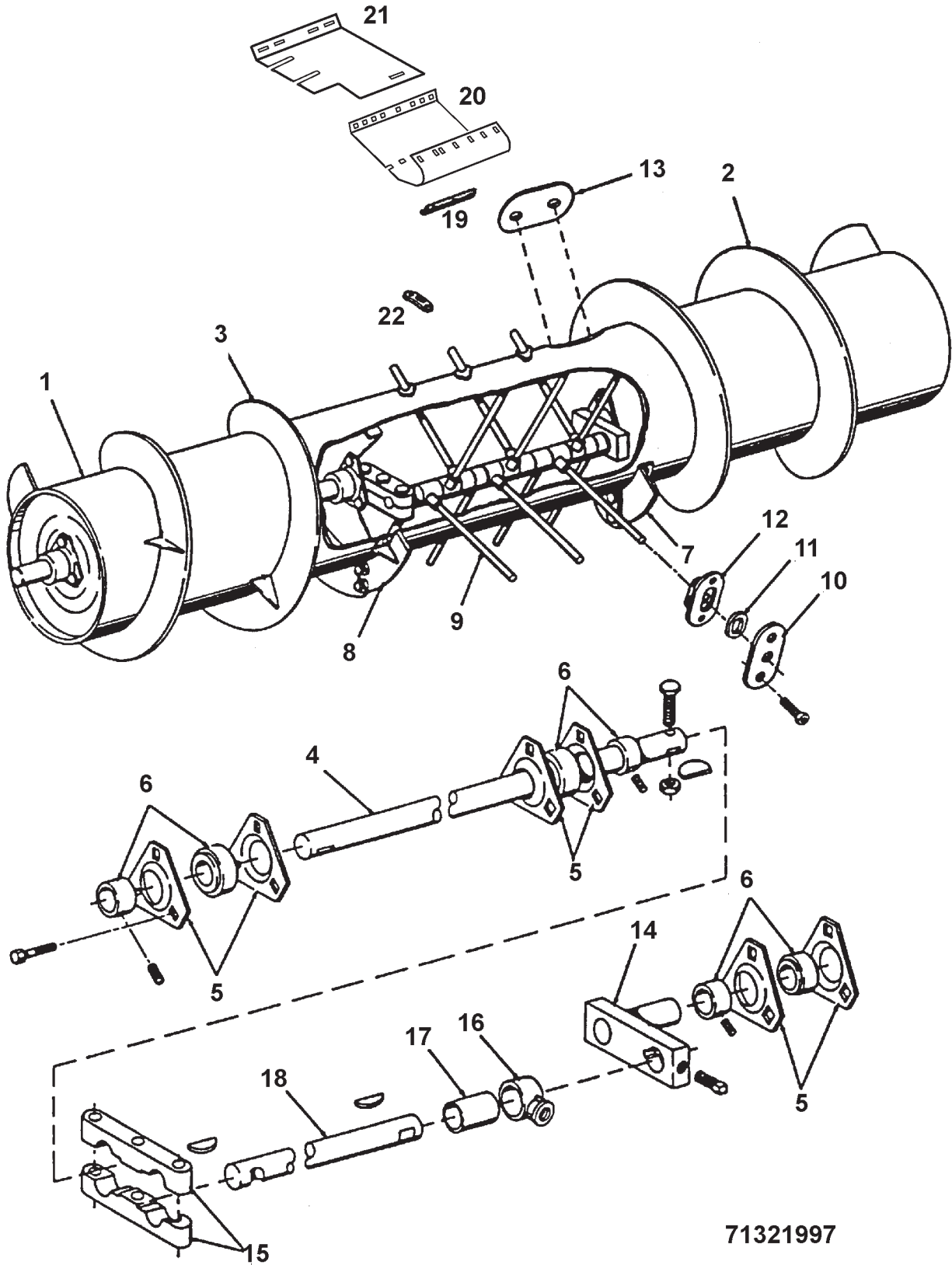
ITEM	NUMBER	QTY	DESCRIPTION
-	71407227	1	CONVEYOR ASY., BOLTED - COMPLETE (18')
-	71407228	1	CONVEYOR ASY., BOLTED - COMPLETE (20')
-	71407225	1	CONVEYOR ASY., BOLTED - COMPLETE (25')
-	71407226	1	CONVEYOR ASY., BOLTED - COMPLETE (30')
1	71378325G	1	CONVEYOR WLMT. (INCL. FLIGHTING)(18')
	71378324G	1	CONVEYOR WLMT. (INCL. FLIGHTING)(20')
	71378323G	1	CONVEYOR WLMT. (INCL. FLIGHTING)(25')
	71378322G	1	CONVEYOR WLMT. (INCL. FLIGHTING)(30')
	71321556	1	FLANGE WLMT. (NOT ILLUSTRATED)
2	71378311	1	FLIGHTING, LH (CUT EXCESS) (18 & 20')
	71378310	1	FLIGHTING, LH (CUT EXCESS) (25')
	71378309	1	FLIGHTING, LH (30')
3	71378315	1	FLIGHTING, RH (CUT EXCESS) (18 & 20')
	71378314	1	FLIGHTING, RH (CUT EXCESS) (25')
	71378313	1	FLIGHTING, RH (30')
4	71376507	1	SHAFT, DIA. 1-1/4", RH (18')
	71376508	1	SHAFT, DIA. 1-1/4", RH (20')
	71371630	1	SHAFT, DIA. 1-1/4", RH (25')
	71371871	1	SHAFT, DIA. 1-1/4", RH (30')
	70920990	1	CAPSCREW, 1/2NC X 3-1/2
	704254	1	NUT, LOCKING, 1/2-13
5	71127313	6	FLANGE, BEARING
	7703432	9	CAPSCREW, 3/8NC X 3/4 (FLANGED)
6	71308984	3	BEARING, 2-7/16" O.D., 1-1/4" I.D. (INCL. COLLAR)
	70534438	3	COLLAR
7	71396876	1	EXTENSION ASY., FLIGHTING, LH (7")
	7700461	5	CARRIAGE BOLT, 5/16 X 3/4
	70931277	5	NUT, FLANGED, 5/16NC
8	71396877	1	EXTENSION ASY., FLIGHTING, RH (7")
	7700461	5	CARRIAGE BOLT, 5/16 X 3/4
	70931277	5	NUT, FLANGED, 5/16NC
9	71373376	17	FINGER
	70913160	17	NUT, 3/4
10	71320327	17	COVER, GUIDE
	71335690	34	SCREW, THRD. FRMNG, 5/16NCX3/4(TORX)
	71322875	1	WRENCH, TORX T40
11	71320323	17	GUIDE, FINGER

CONTINUED

71321997  
PR: t05b03o56b0002

FH & RH GRAIN HEADERS  
CONVEYOR

CONVEYOR  
FLEX & RIGID  
8000 & 7000  
EFFECTIVE S/N HP84101



71321997



**FH & RH GRAIN HEADERS  
CONVEYOR**

47

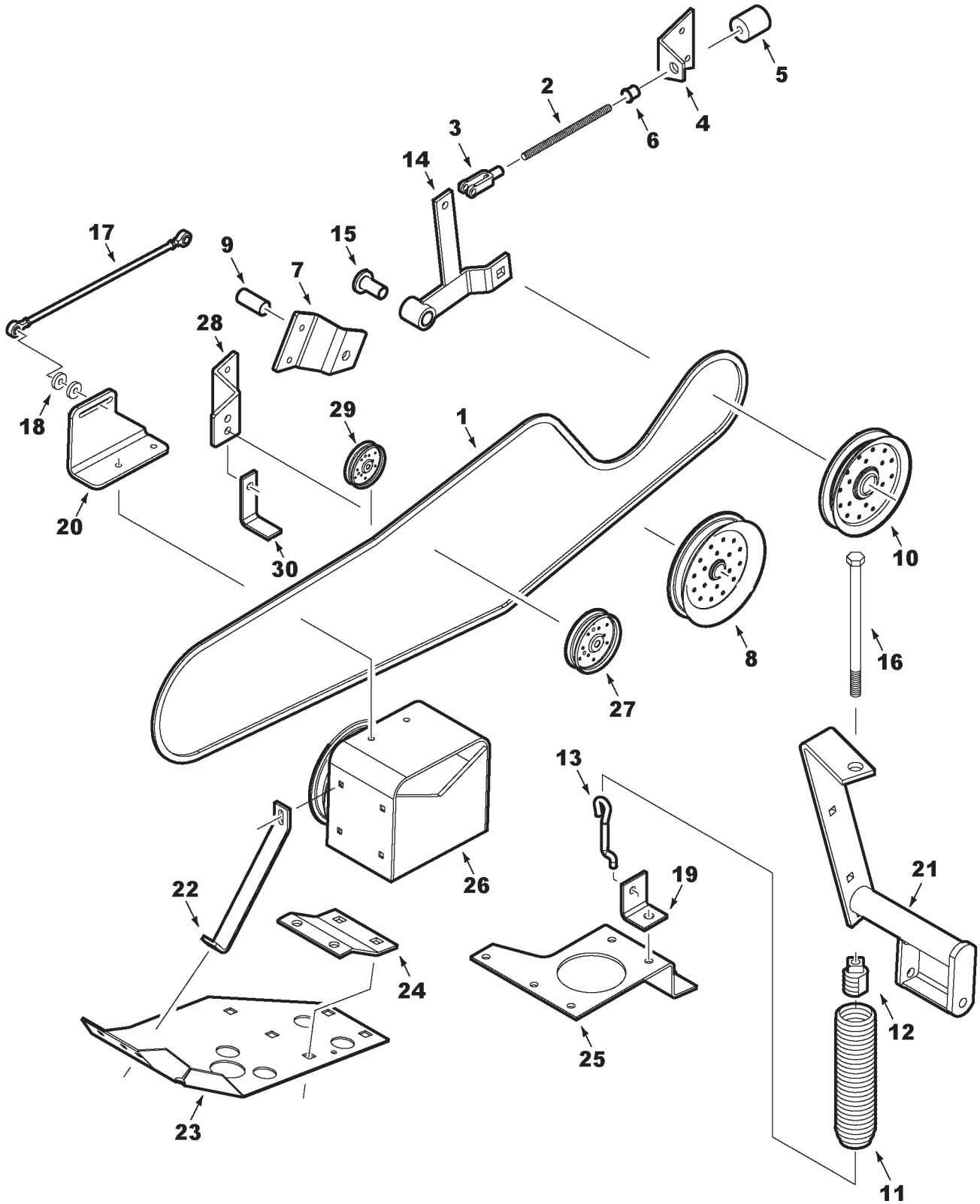
**CONVEYOR  
FLEX & RIGID  
8000 & 7000  
EFFECTIVE S/N HP84101**

ITEM	NUMBER	QTY	DESCRIPTION
12	71320326	17	SUPPORT, GUIDE
13	71137123	2	COVER, HAND HOLE
	70918155	1	SCREW, TRUSS HD., 1/4NF X 1/2
	71139987	1	NUT, 1/4NF
	70921593	1	SCREW, SELF-TAP, NO. 8 X 3/4
	70909367	1	LOCKWASHER, INT. TOOTH, 1/4
14	71371925	1	CRANK ASY., LH
	29780X	1	KEY, WOODRUFF
	70920469	1	SETSCREW, 3/8NC X 3/4
15	71371417	2	CRANK, FINGER (RH)
	29780X	1	KEY, WOODRUFF
	70920990	4	CAPSCREW, 1/2NC X 3-1/2
	70931187	4	NUT, FLANGED, 1/2NC
16	71373363	21	RETAINER, FINGER
17	71176156	10	BEARING, PLASTIC
	71176360	1	BEARING, RETAINER
18	71332796	1	SHAFT, (39.685" O.L. x 1.125" O.D.)
	29780X	1	KEY, WOODRUFF
19	71376070	2	ANGLE, EXTENSION, RETARDER
	71335690	4	SCREW, THRD FRMG, TORX, 5/16NC X 7/8
20	71375785	1	PLATE, WEAR, RH
	71377293	1	PLATE, WEAR, LH
	71335690	4	SCREW, THRD FRMG, TORX, 5/16NC X 7/8
	70931317	2	BOLT, RHSN, 1/4 X 3/4
	70931209	2	NUT, SER. FLG., 1/4
21	71407235	1	PANEL, FILLER, LH HOUSING (660 COMBINE)
	71407236	1	PANEL, FILLER, RH HOUSING (660 COMBINE)
	71407238	1	PANEL, FILLER, LH HOUSING (670 COMBINE)
	71407239	1	PANEL, FILLER, RH HOUSING (670 COMBINE)
	70931333	6	BOLT, RHSN, 5/16 X 3/4
	70931277	6	NUT, SER. FLG., 5/16
22	71324692	4	COVER, FINGER HOLE
	71335690	4	SCREW, THRD. FRMNG, 5/16NCX3/4(TORX)

71321997  
PR: t05b03o56b0002

FH & RH GRAIN HEADERS  
DRIVES

SICKLE DRIVE  
FLEX



**FH & RH GRAIN HEADERS  
DRIVES**

49

**SICKLE DRIVE  
FLEX**

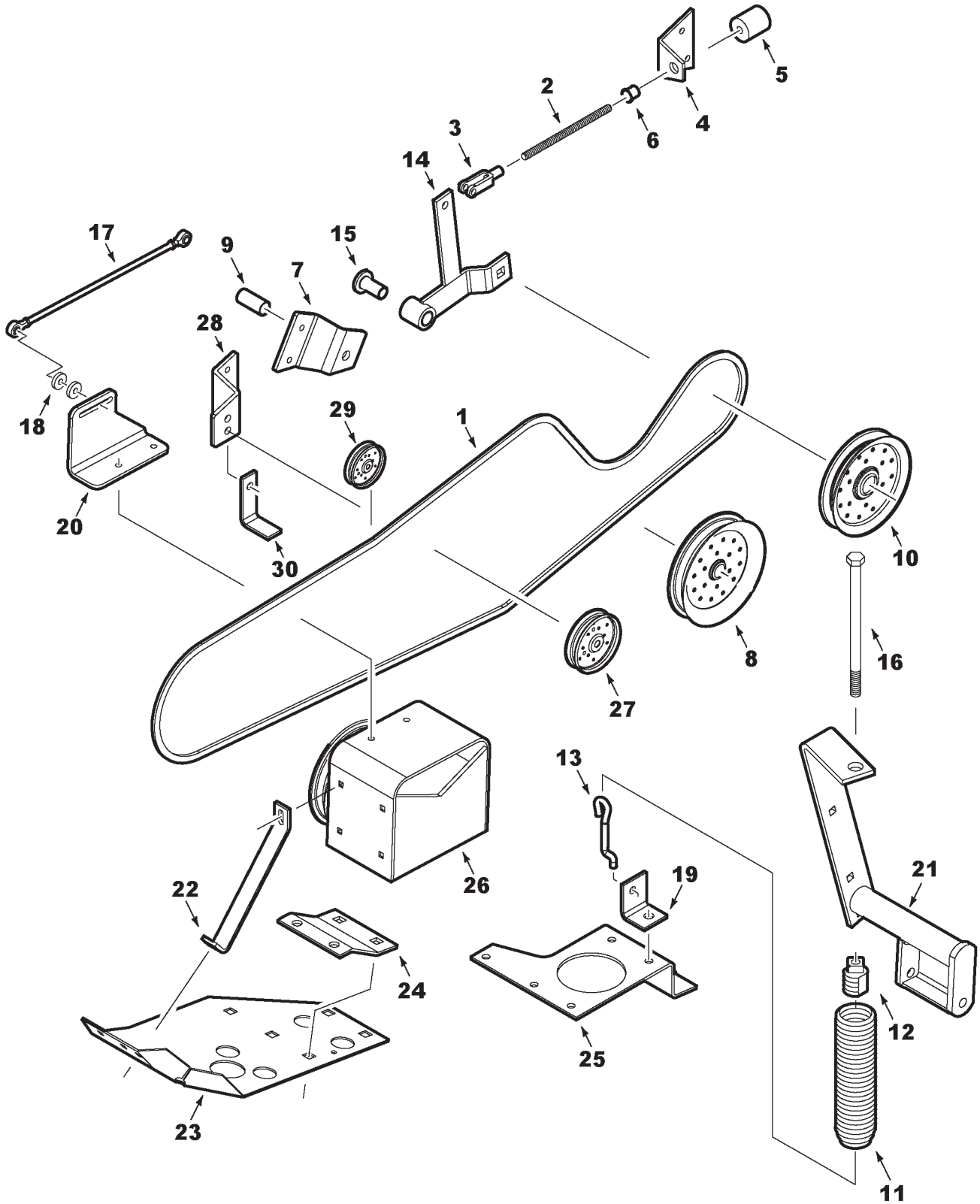
ITEM	NUMBER	QTY	DESCRIPTION
1	71322834	1	BELT
2	71371598	1	ROD DAMPENER
	704031	2	NUT, 1/2-13
3	70937465	1	YOKE, CLEVIS 1/2 NC
	704247	1	NUT, 3/8-16, FLANGED
	70929593	1	PIN
	62083	1	COTTER PIN
4	71373379	1	ANCHOR, DAMPENER
	68759	2	CARRIAGE BOLT, 3/8-16 X 1
	704247	2	NUT, 3/8-16, FLANGED
5	71308201	1	BUSHING, IDLER
6	71304362	1	BUSHING
7	71394569	1	BRACKET, IDLER
	68759	2	CARRIAGE BOLT, 3/8-16 X 1
	704247	2	NUT, 3/8-16, FLANGED
8	71307305	1	IDLER, V-GROOVE
	70925705	1	CAPSCREW, 5/8NC X 5
	70929699	1	WASHER, 5/8 USS
	7774458	1	NUT, 5/8NC FLANGED
9	71394594	1	SPACER
10	71306443	1	IDLER, FLAT
	70926675	1	BOLT, CGE., 5/8-11 X 2 1/4
	70928738	2	WASHER, 5/8
	70929699	1	WASHER, 5/8 USS
	7774458	1	NUT, 5/8-11 FLANGED
11	71316800	1	SPRING ASY., WOBBLE BOX (INCL. ITEMS 12 & 13)
12	71350543	1	PLUG ASY., SPRING
13	71316174	1	ROD, SPRING
14	71394567	1	ARM ASY., IDLER (INCL. BUSHINGS, SPACER & FITTING)
	70935127	1	BOLT, 5/8NC X 3-1/4
	70929699	3	WASHER, 5/8
	7774458	1	NUT, FLANGED, 5/8-11
	71386846	2	BUSHING
	71369467	1	SPACER, SPLIT
	77057	1	FITTING, LUBE
15	71321850	1	SPUD, IDLER ARM
16	70935299	1	CAPSCREW, 1/2-13 X 12
	70301781	1	PIVOT WASHER
17	71343187	1	STABILIZER ASY. (INCL. BALL JOINTS & JAM NUTS)
	70922869	1	BOLT, 3/8NC X 1-3/4 CARR. (REAR OF LINK)
	70923701	1	CAPSCREW, 3/8NC X 2 (FRONT OF LINK)
	70931211	1	NUT, SER. FLG., 3/8-16 (REAR OF LINK)
	70922755	2	WASHER, 13/32 X 1.0 X 10GA
	Y704635	1	NUT, LOCK, 3/8NC

CONTINUED

GGH0060  
PR: 42

FH & RH GRAIN HEADERS  
DRIVES

SICKLE DRIVE  
FLEX



**FH & RH GRAIN HEADERS  
DRIVES**

51

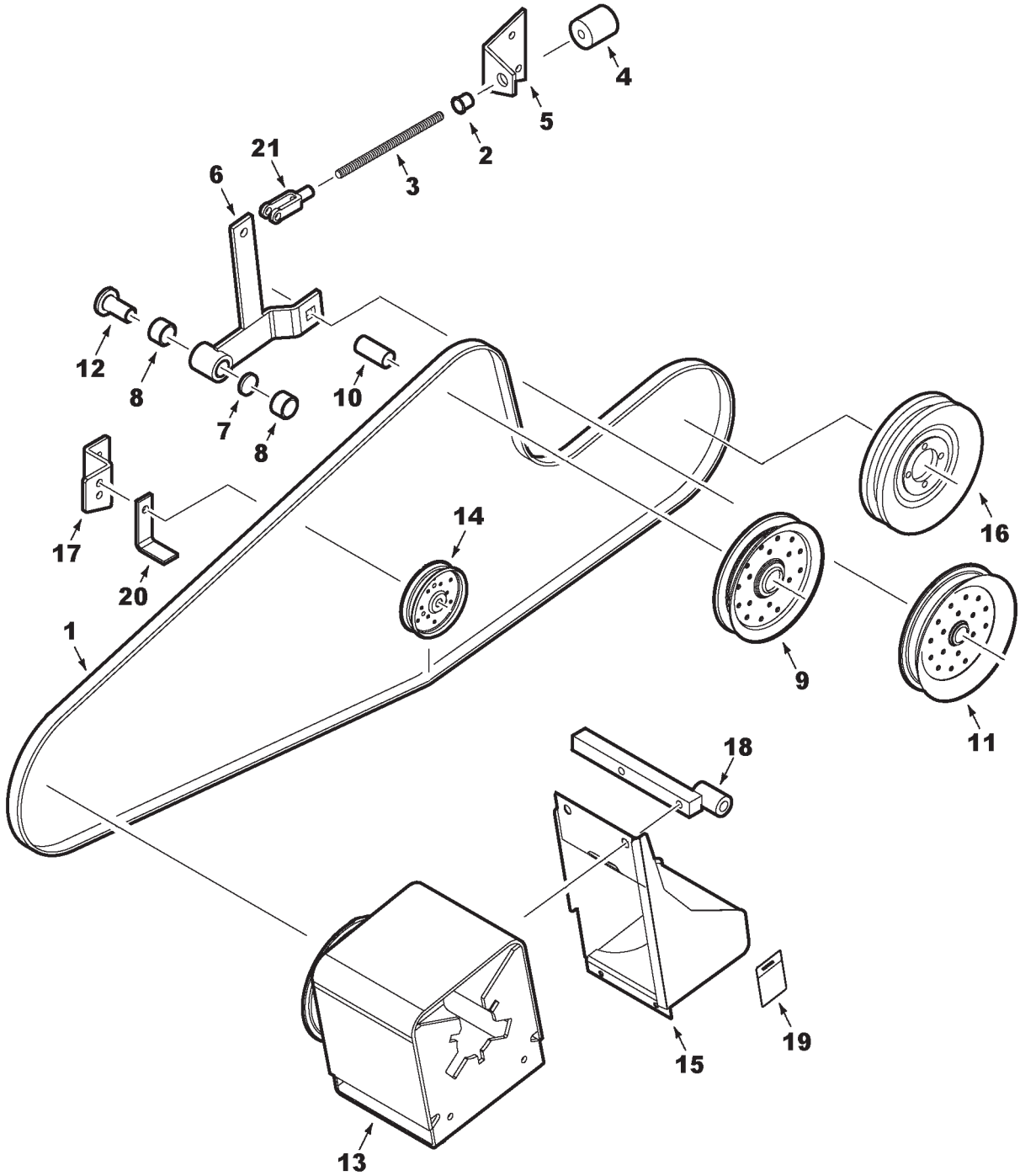
**SICKLE DRIVE  
FLEX**

ITEM	NUMBER	QTY	DESCRIPTION
18	71341521	4	SPACER (ROUND), 1/4" THICK
19	71366200	1	ANCHOR SPRING
20	71374374	1	SUPPORT, STABILIZER
	70921966	2	CAPSCREW, 3/8NC X 7/8
	70931211	2	NUT, FLANGED, 3/8-16
21	71374372	1	SUPPORT, LH DIVIDER
	70931363	3	BOLT, 1/2NC X 1
	70931187	3	NUT, FLANGED, 1/2NC
22	71339439	1	BRACE, SKID, LH
	70927075	1	BOLT, CARR. 5/16NC X 1
	70931277	1	NUT, FLANGED, 5/16NC
23	71369326	1	SHOE, SKID, LH
	71373851	1	SHOE, SKID, LH PLASTIC
	70931377	4	BOLT, 5/8 X 1 1/4
	7774458	4	NUT, SER. FLG., 5/8
	70927075	1	BOLT, RHSN, 5/16 X 1.0, LONG NECK
	70917372	1	NUT, HEX, 5/16 (USE W/PLASTIC SHOE)
24	71328300	1	SUPPORT, SICKLE FRONT
25	71339424	1	SUPPORT, WOBBLE BOX
	70924744	2	CAPSCREW, 5/8NC X 1-1/2
	70917373	8	LOCKWASHER, 5/8
	70915726	4	NUT, 5/8NC
	70922664	2	CAPSCREW, 5/8 - 11 X 2
26	71344225	1	WOBBLE BOX ASY. (SHEAVE NOT INCLUDED)
27	71127502	1	IDLER, V-GROOVE
	70921211	1	CAPSCREW, 1/2 X 2 1/2
	Y705624	5	WASHER, 1/2 SAE
	70931187	1	NUT, 1/2 SER. FLG.
28	71375543	1	BRACKET, IDLER
	70931350	2	BOLT, RHSN, 3/8NC X 1
	70931211	2	NUT, FLANGED, 3/8-16
29	79008328	1	IDLER, FLAT
	70929095	1	BOLT, RHSN, 1/2 X 2 1/4
	70931187	1	NUT, FLANGE, 1/2
	Y705624	3	WASHER, 1/2
30	71375101	1	GUIDE, BELT

GGH0060  
PR: 42

FH & RH GRAIN HEADERS  
DRIVES

GRAIN HEADER DRIVES  
SICKLE DRIVE  
RIGID



**FH & RH GRAIN HEADERS  
DRIVES**

53

**GRAIN HEADER DRIVES  
SICKLE DRIVE  
RIGID**

ITEM	NUMBER	QTY	DESCRIPTION
1	71322828	1	BELT
2	71304362	1	BUSHING
3	71371598	1	ROD, DAMPENER, 1/2-13 THD.
	704031	3	NUT HEX 1/2-13
	70920309	1	WASHER
4	71308201	1	BUSHING, IDLER STOP
5	71373379	1	ANCHOR, DAMPENER
	70931350	2	BOLT, RHSN, 3/8 X 1.0
	70931211	2	NUT, SER. FLG., 3/8-16
6	71394567	1	ARM ASY., IDLER (INCL. ITEMS 7-8)
	70935127	1	BOLT, 5/8 - 11 X 3-1/4
	70918432	1	WASHER, 5/8
	7774458	1	NUT, HEX 5/8-11 FLANGED
	77057	1	FITTING, LUBE, 90 DEG
7	71369467	1	SPACER, SPLIT
8	71386846	2	BUSHING
9	71307305	1	IDLER, V-GROOVE
	70918432	1	WASHER 5/8 USS
	70925705	1	BOLT, RHSN 5/8-11 X 5
	7774458	1	NUT, 5/8 - 11 FLANGED
10	71394593B	1	SPACER
11	71306443	1	IDLER, FLAT
	70928738	2	WASHER, 5/8 USS
	70918432	1	WASHER 5/8 USS
	70926694	1	CAPSCREW, 5/8 - 11 X 2-1/2
	7774458	1	NUT, 5/8 - 11 FLANGED
12	71321850	1	SPUD, IDLER ARM
13	71389337	1	WOBBLE BOX ASY. (25' THRU 30') (COUNTER WEIGHTED)
	70924744	4	CAPSCREW, 5/8 X 1 1/2
	70917373	8	WASHER, LOCK, 5/8
	70915726	4	NUT, 5/8
	70931809	2	CAPSCREW, RHSN, 1/2-13 X 1-1/4
	70918431	2	WASHER, 1/2 USS
	Y705046	2	WASHER, LOCK, 1/2
	704031	2	NUT, 1/2-13

CONTINUED

GGH0061  
PR: 46





**FH & RH GRAIN HEADERS  
DRIVES**

55

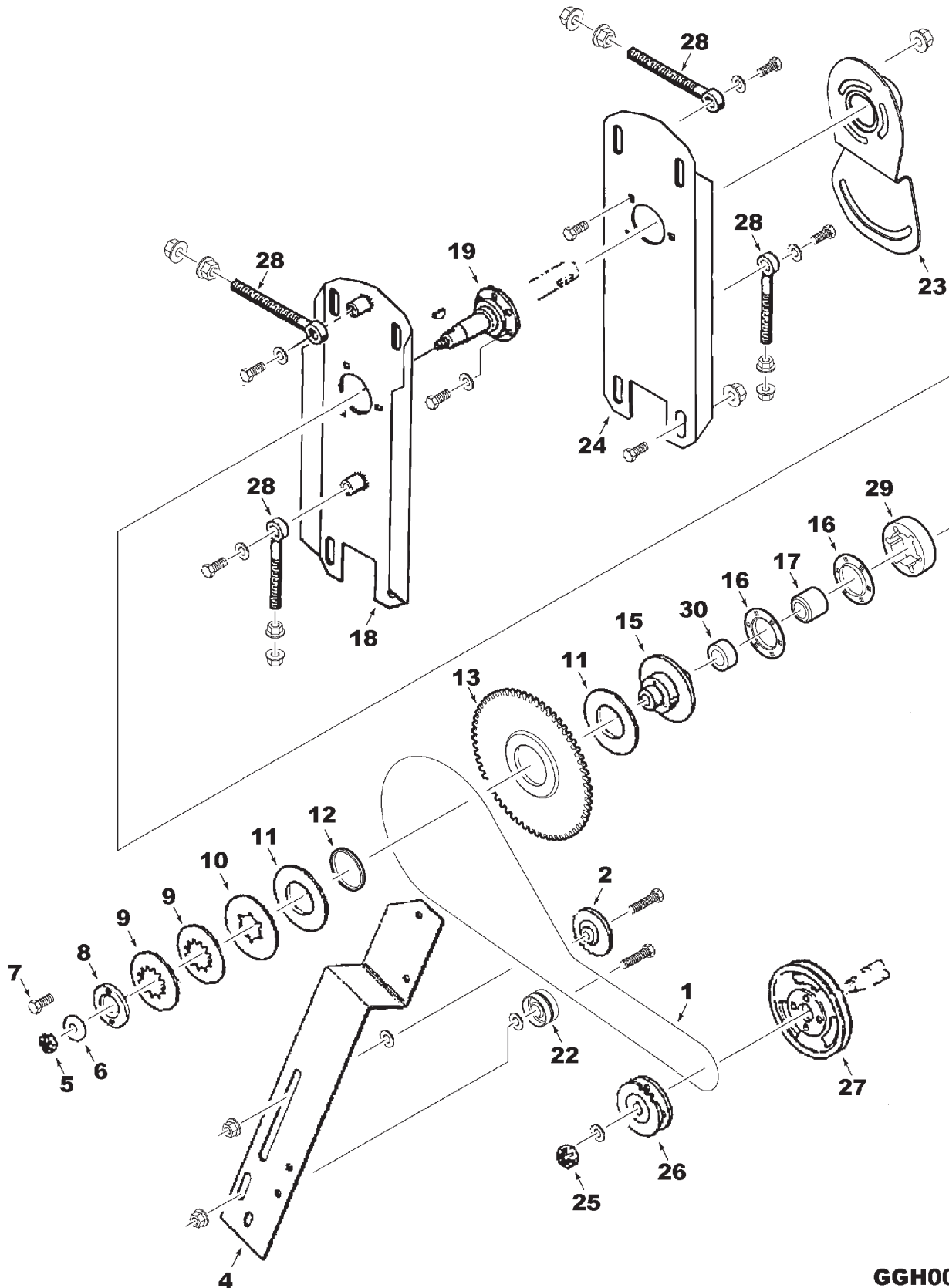
**GRAIN HEADER DRIVES  
SICKLE DRIVE  
RIGID**

ITEM	NUMBER	QTY	DESCRIPTION
14	71127502	1	IDLER, V-GROOVE
	70921211	1	CAPSCREW 1/2 X 2 1/2
	70918431	4	WASHER, 1/2USS
	70931187	1	NUT, FLANGED 1/2NC
15	71368923	1	SHIELD ASY., WOBBLE BOX WEIGHT (25' & 30')
	70921333	2	CAPSCREW, 5/16 X 1.0
	70917372	2	NUT, 5/16
	70917356	2	WASHER, LOCK, 5/16
	71371580	1	SHEAVE (232MM O.D. = 9.13")
17	71375543	1	BRACKET, IDLER
	70931350	2	BOLT, RHSN 3/8 X 1
	70931211	2	NUT, SER. FLG. 3/8-16
	71368906	1	BRACE WLMT. (25' & 30')
18	70931812	1	BOLT, RHSN 1/2 - 13 X 3
	70931187	1	NUT 1/2 - 13 SER. FLG.
	70923701	1	CAPSCREW, 3/8 X 2
	70931211	2	NUT, 3/8-16 SER. FLG.
	70931363	2	BOLT, RDHD, 1/2 X 1.0
	70918431	2	WASHER, 1/2
	70931187	2	NUT, FLANGE, 1/2 - 13
	72503345	1	DECAL, WARNING (25' & 30')
19	71375101	1	GUIDE, BELT
21	70937465	1	YOKE 1/2"-13 THD.
	70929593	1	PIN, YOKE
	70918452	1	PIN, COTTER 3/32" X 1"

GGH0061  
PR: 46

FH & RH GRAIN HEADERS  
DRIVES

CONVEYOR DRIVE  
FLEX & RIGID  
PRIOR S/N HP84101



**FH & RH GRAIN HEADERS  
DRIVES**

57

**CONVEYOR DRIVE  
FLEX & RIGID  
PRIOR S/N HP84101**

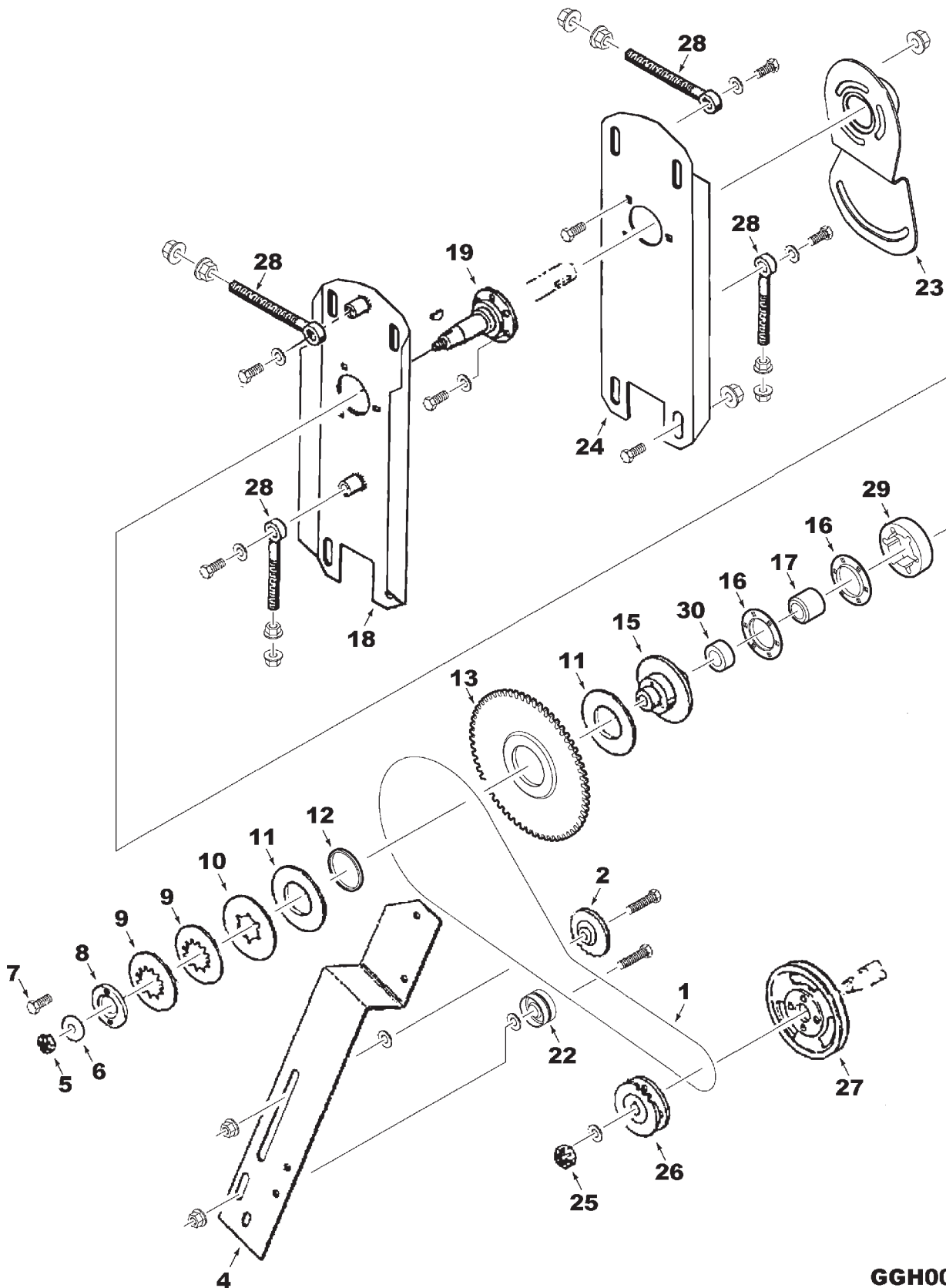
ITEM	NUMBER	QTY	DESCRIPTION
1	71394244	1	CHAIN(114-LINKS/RC60 SEALED/LUBE)
2	71137120	1	SPROCKET ASY.IDLER (21T-60)(INCL.BRG.)
	71126056	1	BEARING
	70926164	1	CAPSCREW, 5/8 X 2-3/4
	70918432	8	WASHER, 5/8 USS
	7774458	1	NUT, FLANGED, 5/8NC
4	71373378	1	BRACKET, IDLER
	70931350	2	BOLT, RHSN 3/8 X 1
	70920415	2	CAPSCREW, 3/8-16 X 1 1/4
	70931211	4	NUT, FLANGED, 3/8-16
	70917378	3	WASHER, FLAT, 3/8
5	70922010	1	NUT, SLOTTED, 1"NF
	70918459	1	PIN, COTTER
6	705681	1	WASHER, SAE 1" X 2" O.D.
7	70921971	6	CAPSCREW, 3/8NC X 1-3/4
8	71370459	1	RING, LOAD (ALL HDRS)
9	71323992	AR	SPRING, DISK
10	71323169	1	PLATE, THRUST
11	71323170	2	PLATE, FRICTION
12	71377768	1	RING, SPROCKET
13	71390982	1	SPROCKET (59T-60)
15	71370460	1	*HUB, FLANGED
16	71370634	2	*FLANGE, BEARING (6-BOLT)
	70931806	6	BOLT, RHSN, 3/8 X 2 1/2
	70918266	6	WASHER, PLATE, .38 SAE
	70919965	6	WASHER, LOCK, 3/8
	70916950	6	NUT, HEX, 3/8
	70933988	6	NUT, SPEED, 3/8
17	71309128	1	*BEARING (1-3/8" I.D. W/COLLAR)
18	71385143	1	*SUPPORT ASY., CONVEYOR, LH
	70931363	4	BOLT, RHSN, 1/2 X 1.0
	Y705624	4	WASHER, 1/2
	Y705046	4	LOCKWASHER, 1/2
	70936525	2	NUT, SPEED, 1/2
	70931187	4	NUT, SER. FLG., 1/2
19	71385137	1	*GUDGEON ASY.
	70905129	1	KEY, WOODRUFF, #D
	70920677	6	CAPSCREW, 7/16NC X 1-1/4
	70918199	6	LOCKWASHER, 7/16

CONTINUED

GGH0062  
PR: 50

FH & RH GRAIN HEADERS  
DRIVES

CONVEYOR DRIVE  
FLEX & RIGID  
PRIOR S/N HP84101



**FH & RH GRAIN HEADERS  
DRIVES**

59

**CONVEYOR DRIVE  
FLEX & RIGID  
PRIOR S/N HP84101**

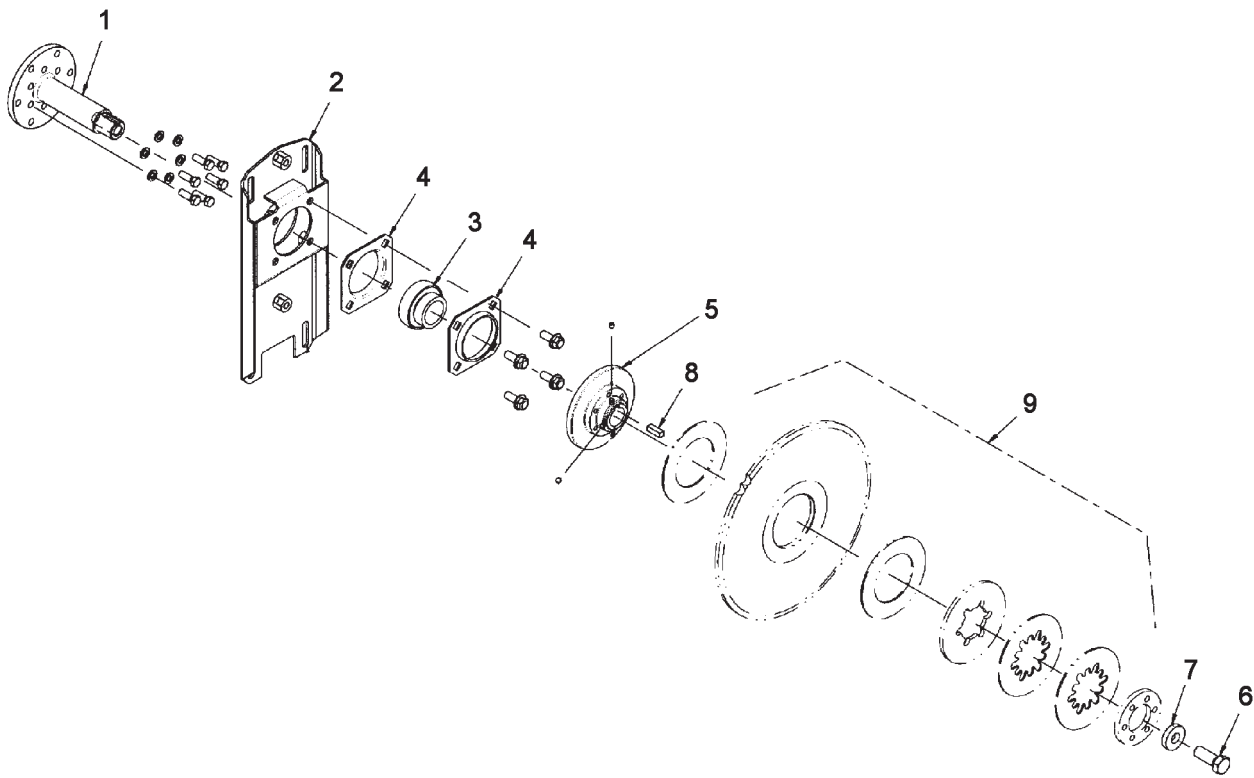
ITEM	NUMBER	QTY	DESCRIPTION
22	79008328	1	IDLER, CHAIN, FLAT
	70923320	1	CAPSCREW, 1/2 X 3
	70918431	7	WASHER, 1/2 USS
	70931187	1	NUT, SER. FLG. 1/2
23	71377580	1	FLANGE ASY., ADJ. WLMT.
	375112X1	1	NUT, JAM 5/8
	70928352	3	NUT, FLANGED 3/8NC
	70920469	2	SETSCREW, 3/8NC X 3/4
	70931350	3	BOLT, RHSN, 3/8 X 1.0
	70910276	1	KEY, WOODRUFF, NO. 27
	71373396	1	SUPPORT ASY., CONVEYOR, RH
24	70931363	4	BOLT, RHSN, 1/2 X 1.0
	Y705624	4	WASHER, 1/2
	Y705046	4	LOCKWASHER, 1/2
	70936525	2	NUT, SPEED, 1/2
	70931187	4	NUT, SER. FLG., 1/2
	70917423	1	NUT, SLOTTED, 5/8NC
	70922002	1	PIN, COTTER, 1/8 X 1
25	70918432	1	WASHER, 5/8
	71390984	1	SPROCKET ASY., 16T-60 (RIGID & FLEX)
26	71395464	1	SPROCKET ASY., SLOW DOWN, 14T-60
	70910276	1	KEY, WOODRUFF #27
27	71358971	1	SHEAVE (7.677" O.D.)(FLEX HEADERS) (STD/SCH/AUST.)
	71371580	1	SHEAVE, (9.134" O.D.)(RIGID HEADERS)
	71358711	1	SHEAVE (6.890" O.D.)(FOR CLEAN CUT SICKLE DRIVE)
	71355699	4	EYEBOLT, ROD ADJUSTER
28	70921176	3	CAPSCREW, 1/2NC X 1-1/4
	70918431	3	WASHER,(1/2 USS)
	70931187	8	NUT, FLANGED, 1/2NC
	70921024	1	CAPSCREW, 1/2 X 2.0
	70923858	2	WASHER, PLATE, .53 X 1 1/4 X 7GA
	71385138	1	*SPACER (6-HOLE)
30	70527219	1	*COLLAR, LOCK
31	71378613	1	DECAL, CLEARANCE WARNING (NOT SHOWN)
-	71404263	AR	*KIT, IMPROVED GUDGEON SHAFT

\*NOTE: REFERENCE IMPROVED GUDGEON  
SERVICE KIT FOR UPDATED SERVICE PARTS

GGH0062  
PR: 50

FH & RH GRAIN HEADERS  
DRIVES

IMPROVED GUDGEON SERVICE KIT  
HEADERS PRIOR TO S/N HP84101



**FH & RH GRAIN HEADERS  
DRIVES**

**61**

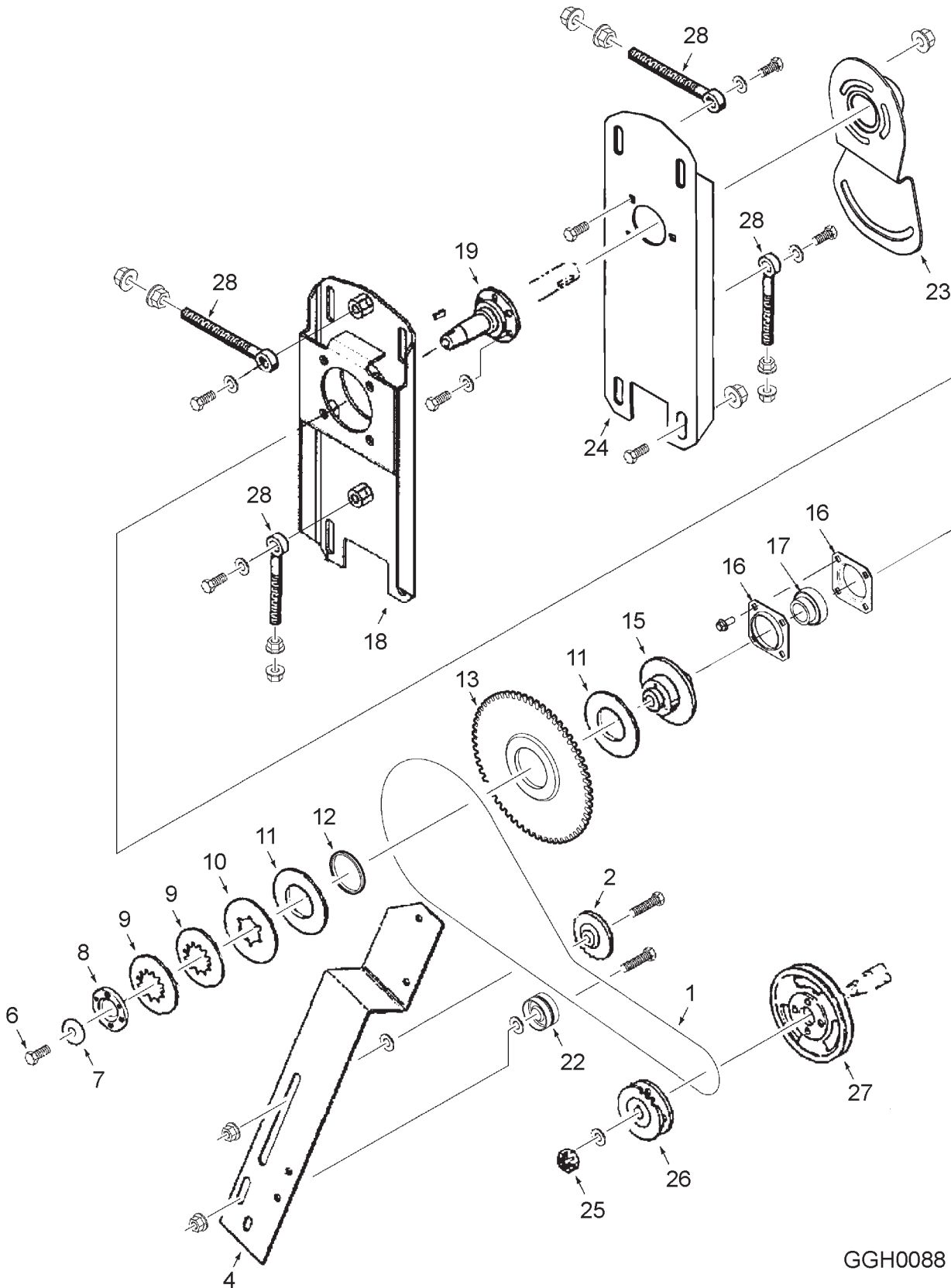
**IMPROVED GUDGEON SERVICE KIT  
HEADERS PRIOR TO S/N HP84101**

ITEM	NUMBER	QTY	DESCRIPTION
-	71404263	AR	KIT, GUDGEON SHAFT (INCL. ITEMS 1-8)
1	71404261	1	SHAFT, GUDGEON
	7702202	6	CAPSCREW, 7/16-14 X 1-1/4
	700702206	6	LOCKWASHER, 7/16
2	71404265B	1	SUPPORT WLDMT, LH AUGER
3	51318	1	BEARING, SPHERICAL
4	700716123	2	FLANGE, BEARING
	700710984	4	SCREW, HEX FLANGE, 1/2-13 X 1-1/4
5	71404264	1	HUB, AUGER CLUTCH
	69773	2	SET SCREW, HX SKT HD, 5/16-18 X 5/16
6	365832X1	1	CAPSCREW, 3/4-16 X 2
7	71404268	1	WASHER, SPECIAL
8	700704744	1	KEY, 3/8 X 1.181
9	71406201B	AR	KIT, CLUTCH ASY.

GGH0086  
PR: t04d21k24b0001

### FH & RH GRAIN HEADERS DRIVES

**CONVEYOR DRIVE**  
FLEX & RIGID  
8000 & 7000  
EFFECTIVE S/N HP84101





**FH & RH GRAIN HEADERS  
DRIVES**

63

**CONVEYOR DRIVE  
FLEX & RIGID  
8000 & 7000  
EFFECTIVE S/N HP84101**

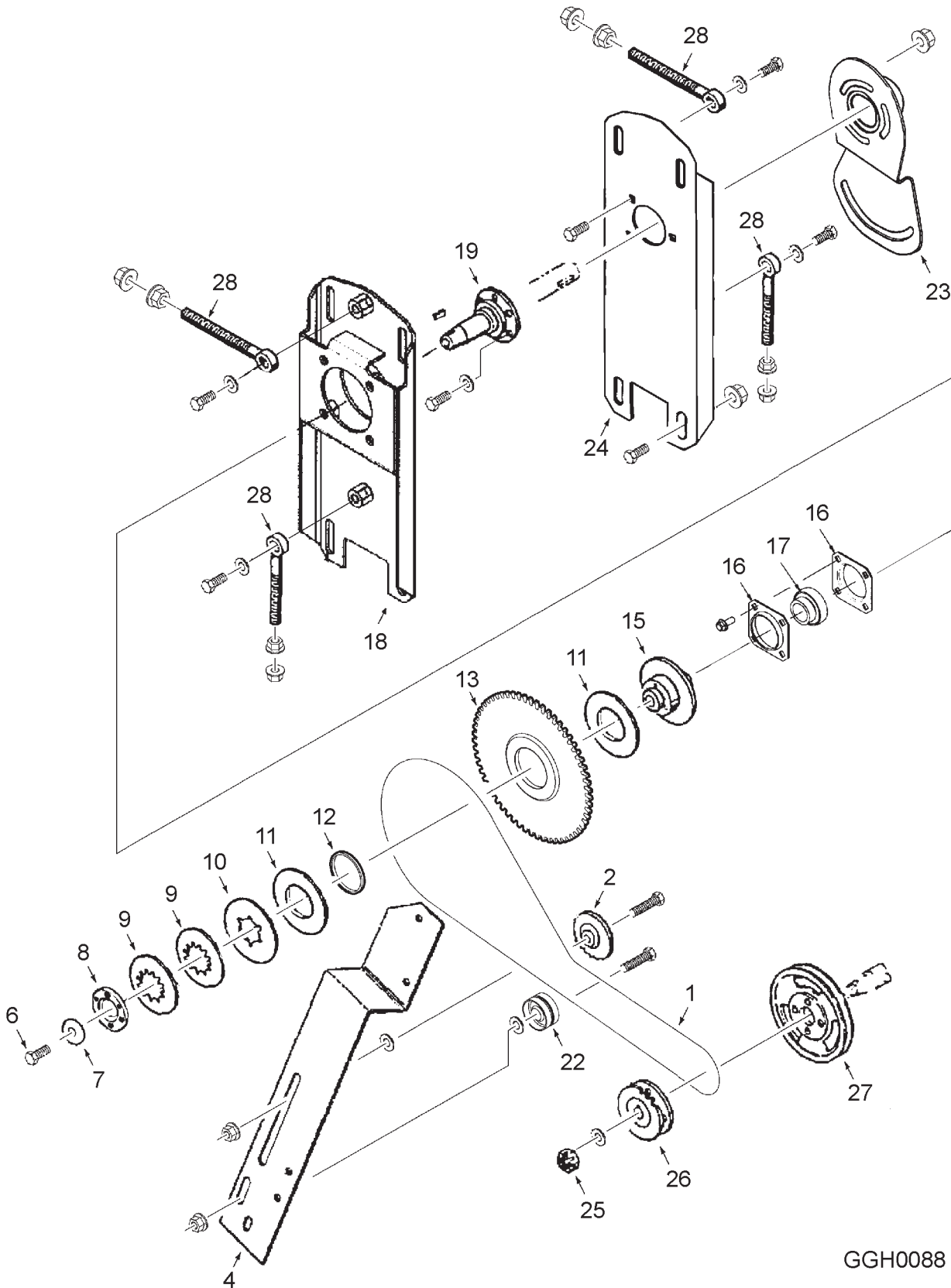
ITEM	NUMBER	QTY	DESCRIPTION
1	71394244	1	CHAIN(114-LINKS/RC60 SEALED/LUBE)
2	71137120	1	SPROCKET ASY.IDLER (21T-60)(INCL.BRG.)
	71126056	1	BEARING
	70926164	1	CAPSCREW, 5/8 X 2-3/4
	70918432	8	WASHER, 5/8 USS
	7774458	1	NUT, FLANGED, 5/8NC
4	71373378	1	BRACKET, IDLER
	68759	2	CARRIAGE BOLT, 3/8 X 1
	70920415	2	CAPSCREW, 3/8-16 X 1-1/4
	704247	4	NUT, FLANGED, 3/8-16
	70917378	3	WASHER, 3/8 NOM X 14GA
-	71406201B	AR	KIT, CLUTCH ASY. (INCL. ITEMS 8-15)
6	365832X1	1	CAPSCREW, 3/4-16 X 2 GR8
7	71404268	1	WASHER, SPECIAL
8	71370459	1	RING, LOAD
	70921971	6	CAPSCREW, 3/8-16 X 1-1/4
9	71323992	2	SPRING, DISK
10	71323169	1	PLATE, THRUST
11	71323170	2	PLATE, FRICTION
12	71377768	1	RING, SPROCKET
13	71390982	1	SPROCKET (59T-60)
15	71404264	1	HUB, FLANGED
	69773	2	SETSCREW, 5/16-1/ X 5/16
16	700716123	2	FLANGE, BEARING
	700710984	4	SCREW, HEX FLANGE, 1/2-13 X 1-1/4
17	51318	1	BEARING, 1.75ID X 22MM OD X 22MM W/COLLAR
18	71404265B	1	SUPPORT ASY., CONVEYOR, LH
	70931363	4	CARRIAGE BOLT, 1/2-13 X 1
	704031	4	NUT, 1/2-13
	Y705046	4	LOCKWASHER, 1/2
	Y705624	4	WASHER, 1/2
	70936525	2	NUT, SPEED, 1/2
19	71404261	1	SHAFT, GUDGEON
	700704744	1	KEY, STRAIGHT, .375 X 1.181
	7702202	6	CAPSCREW, 7/16-14 X 1-1/4
	700702206	6	LOCKWASHER, 7/16
22	79008328	1	IDLER, CHAIN, FLAT
	70923320	1	CAPSCREW, 1/2 X 3
	70918431	8	WASHER, 1/2 USS
	704254	1	NUT, SER. FLG. 1/2

CONTINUED

GGH0088  
PR: t05b03o56b0003

FH & RH GRAIN HEADERS  
DRIVES

CONVEYOR DRIVE  
FLEX & RIGID  
8000 & 7000  
EFFECTIVE S/N HP84101



**FH & RH GRAIN HEADERS  
DRIVES**

65

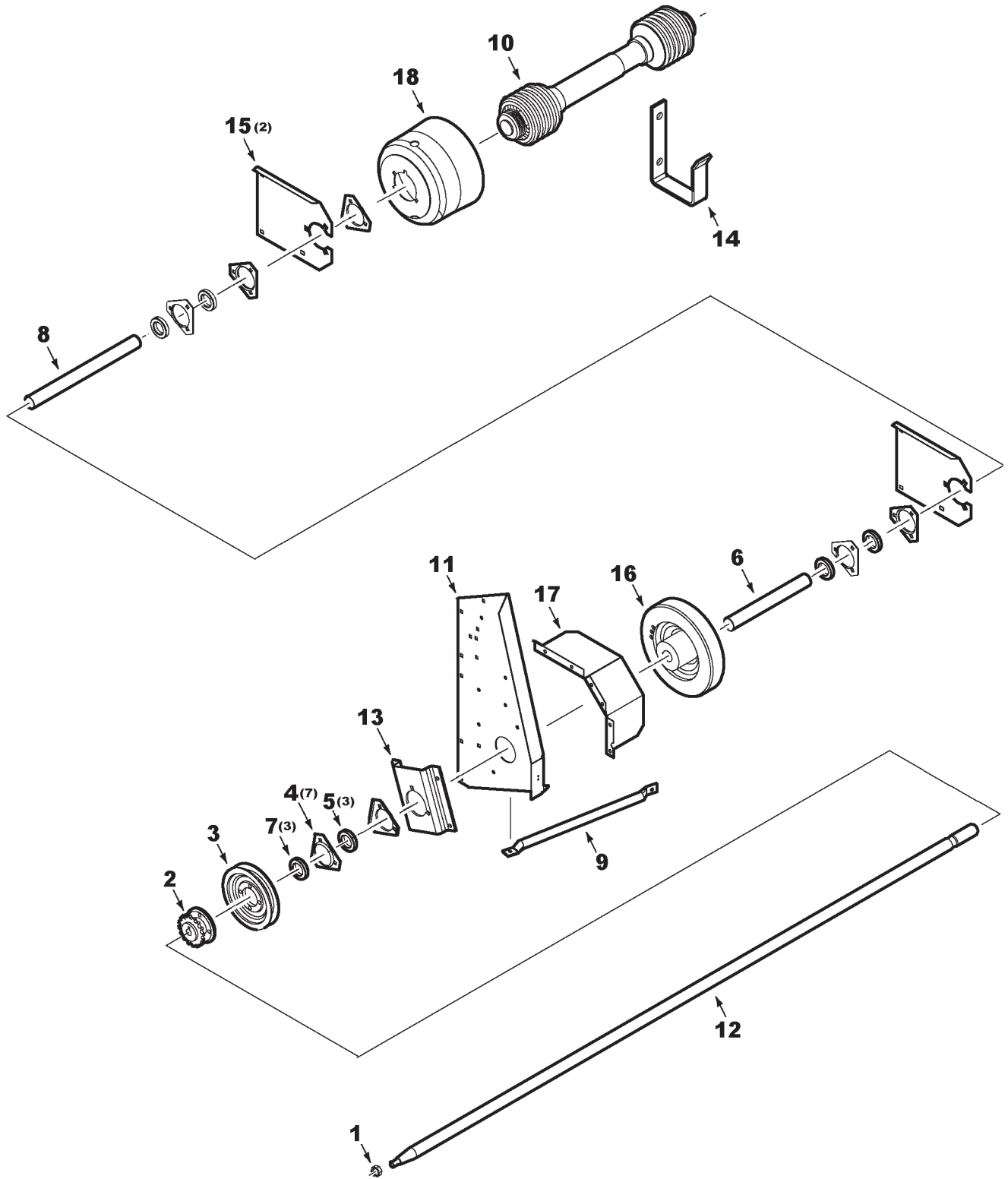
**CONVEYOR DRIVE  
FLEX & RIGID  
8000 & 7000  
EFFECTIVE S/N HP84101**

ITEM	NUMBER	QTY	DESCRIPTION
23	71377580	1	FLANGE ASY., ADJ. WLMT.
	70928352	3	NUT, FLANGED 3/8NC
	70920469	2	SETSCREW, 3/8NC X 3/4
	70931350	3	CARRIAGE BOLT, 3/8 X 1
	700707139	1	KEY, WOODRUFF, NO. 27, 1/4 X 2
24	71373396	1	SUPPORT ASY., CONVEYOR, RH
	70931363	4	CARRIAGE BOLT, 1/2-13 X 1
	704031	4	NUT, 1/2-13
	Y705046	4	LOCKWASHER, 1/2
	Y705624	4	WASHER, 1/2
	70936525	2	NUT, SPEED, 1/2
	70917423	1	NUT, SLOTTED, 5/8NC
25	70922002	1	PIN, COTTER, 1/8 X 1
	70918432	1	WASHER, 5/8
	71390984	1	SPROCKET ASY., 16T-60 (RIGID & FLEX)
26	71395464	1	SPROCKET ASY., SLOW DOWN, 14T-60
	70910276	1	KEY, WOODRUFF #27
27	71358971	1	SHEAVE (7.677" O.D.)(FLEX HEADERS)
	71371580	1	SHEAVE, (9.134" O.D.)(RIGID HEADERS)
	71358711	1	SHEAVE (6.890" O.D.)(FOR CLEAN CUT SICKLE DRIVE)
28	70921176	3	CAPSCREW, 1/2NC X 1-1/4
	70918431	3	WASHER,(1/2 USS)
	70931187	8	NUT, FLANGED, 1/2NC
	70921024	1	CAPSCREW, 1/2 X 2.0
	70923858	2	WASHER, PLATE, .53 X 1-1/4 X 7GA
	71355699	4	EYEBOLT, ROD ADJUSTER
	704254	8	NUT, FLANGE, 1/2-13
	70921176	3	CAPSCREW, 1/2-13 X 1-1/4
	70918431	3	WASHER, 1/2 X 12GA
	70921024	1	CAPSCREW, 1/2-13 X 2
29	70923858	2	WASHER, .531 ID X 1.25 OD X 7GA
	71378613	1	DECAL, CLEARANCE WARNING (NOT SHOWN)

GGH0088  
PR: t05b03o56b0003

### FH & RH GRAIN HEADERS DRIVES

#### MAIN DRIVE SHAFTS FLEX & RIGID



**FH & RH GRAIN HEADERS  
DRIVES**

67

**MAIN DRIVE SHAFTS  
FLEX & RIGID**

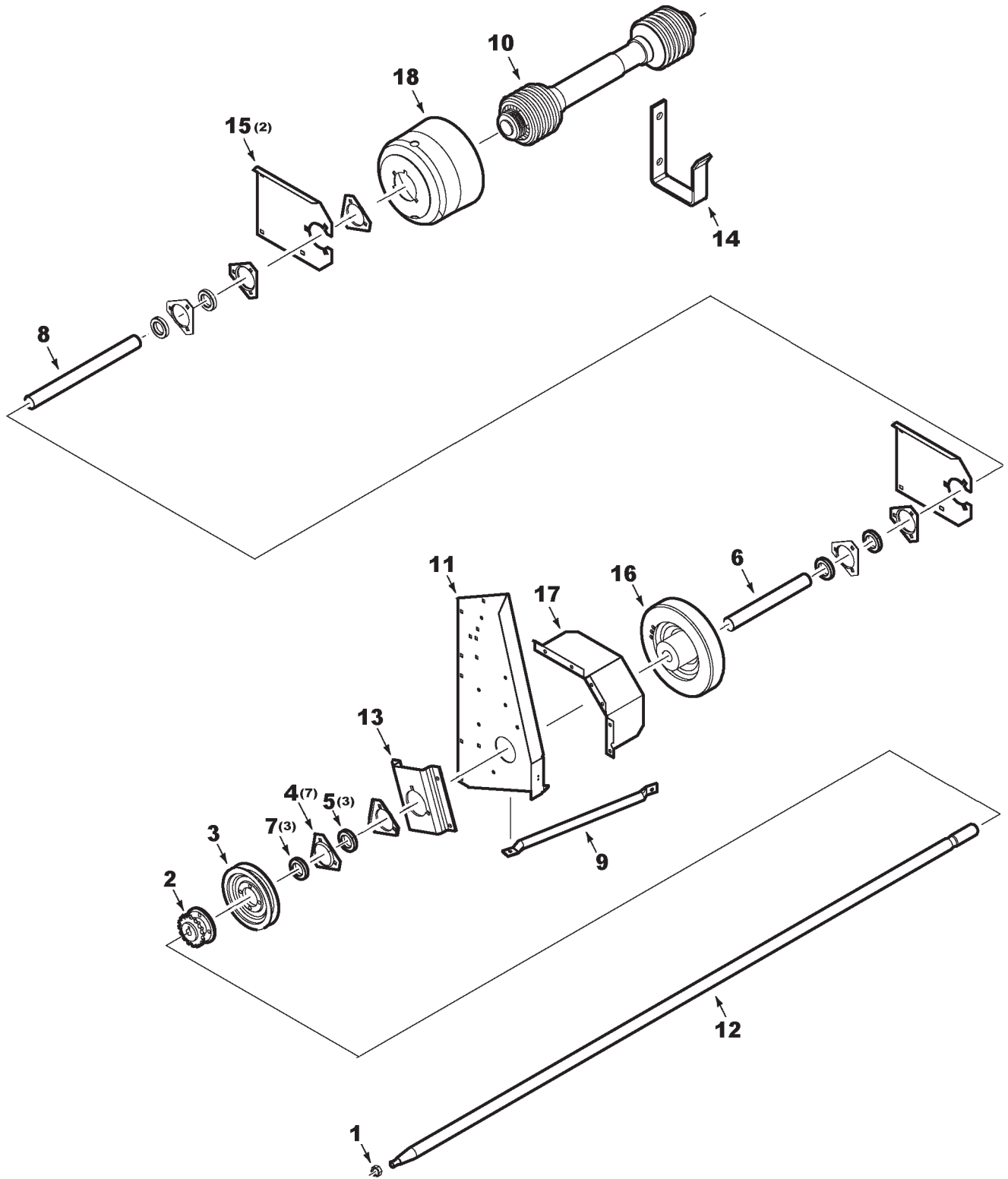
ITEM	NUMBER	QTY	DESCRIPTION
1	70917423	1	NUT, SLOTTED, 5/8NC
	70918452	1	PIN, COTTER, 1/8 X 1
	70918432	1	WASHER, 5/8
2	71390984	1	SPROCKET ASY., (16T-60)
2	71395464	1	SPROCKET ASY., SLOW DOWN, 14T-60
	70905126	1	KEY, WOODRUFF, NO. 15
3	368270X1	4	CAPSCREW, SER. FLG., 3/8NC X 1-1/4
	70931211	4	NUT, FLANGED, 3/8NC
	71358971	1	SHEAVE, (7.677" O.D.)(FLEX) (STD/SCH/AUST.)
	71371580	1	SHEAVE, (9.134" O.D.)(RIGID)
	71358711	1	SHEAVE, (6.890" O.D.)(FOR USE WITH CLEAN CUT SICKLE OPTION)
4	71192243	7	FLANGE, BEARING
	70931348	AR	BOLT, 3/8NC X 3/4
	70931211	AR	NUT, FLANGED, 3/8NC
5	K4037	3	BEARING (1-3/8" I.D.)
6	71327838	AR	SHIELD, OUTER (18', 20', 25' & 30')(FLEX) (CUT TO 18.31") (25' & 30')(RIGID)(CUT TO 12.28")
7	K3999	3	COLLAR, LOCK
8	71327838	AR	SHIELD, MIDDLE (18')(FLEX)(CUT TO 22.44") (20')(FLEX)(CUT TO 13.94") (25')(FLEX & RIGID)(CUT TO 43.82") (30')(FLEX & RIGID)(CUT TO 73.82")
9	71371905	1	BRACE, DRIVE SHAFT PLATE (25' & 30')(FLEX & RIGID)
	368270X1	1	CAPSCREW, SER. FLG. HD, 3/8 X 1-1/4
	70931211	1	NUT, SER FLG., 3/8
10	71371914	1	PTO DRIVE ASY
11	71394573	1	PLATE WLDMT, DRIVE SHAFT
	368270X1	1	CAPSCREW, SER. FLG. HD, 3/8 X 1-1/4
	70931350	AR	BOLT, RHSN, 3/8 X 1.0
	70931211	AR	NUT, SER. FLG., 3/8
12	71380133	1	SHAFT, HEADER DRIVE (18')(FLEX)
	71380137	1	SHAFT, HEADER DRIVE (20')(FLEX)
	71375582	1	SHAFT, HEADER DRIVE (25')(FLEX & RIGID)
	71375579	1	SHAFT, HEADER DRIVE (30')(FLEX & RIGID)

CONTINUED

GGH0075  
PR: 54

### FH & RH GRAIN HEADERS DRIVES

#### MAIN DRIVE SHAFTS FLEX & RIGID



**FH & RH GRAIN HEADERS  
DRIVES**

69

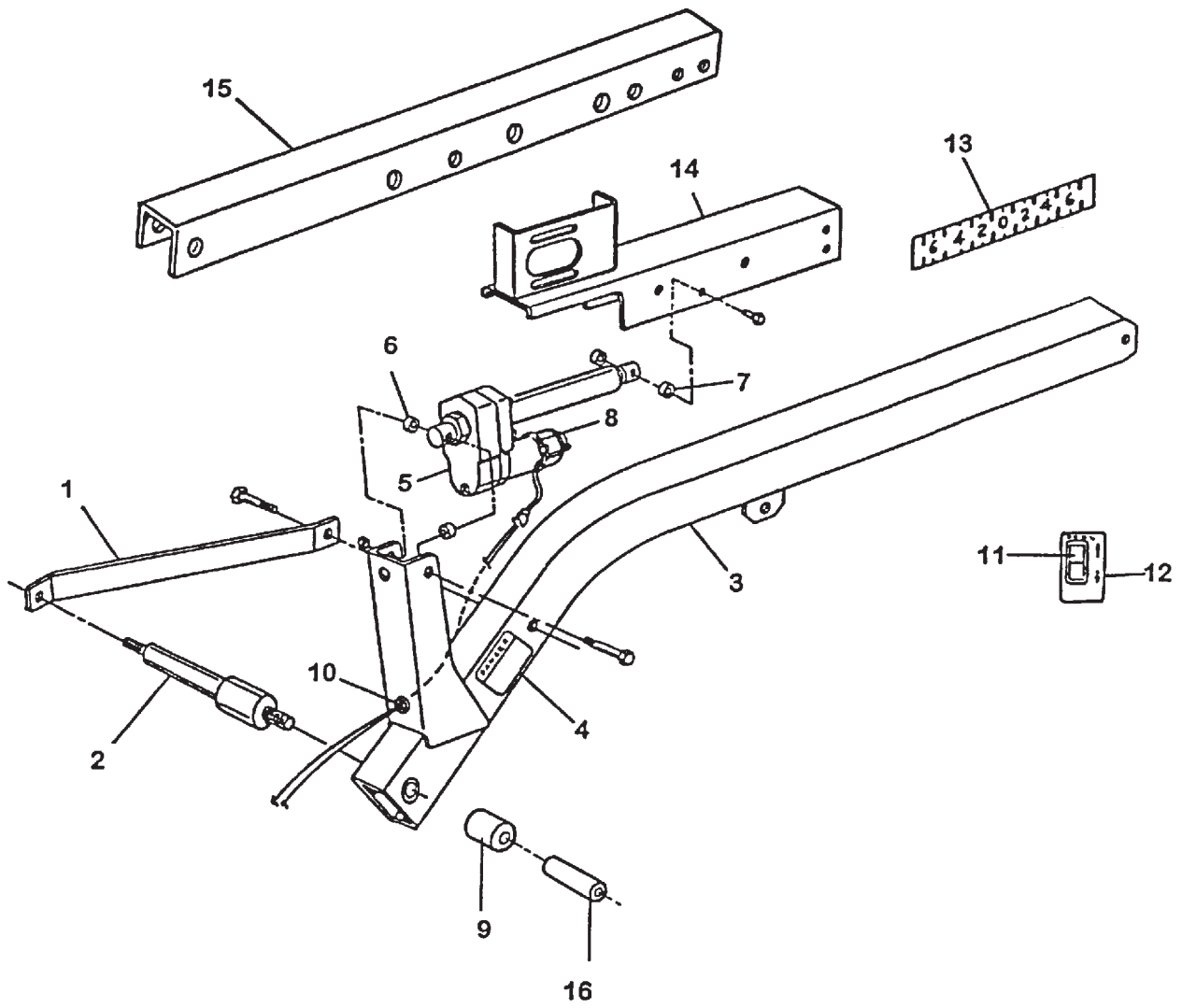
**MAIN DRIVE SHAFTS  
FLEX & RIGID**

ITEM	NUMBER	QTY	DESCRIPTION
13	71374445	1	SUPPORT, BEARING (OUTER)
	70921965	4	CAPSCREW, 3/8 NC X 3/4
	70931211	4	NUT, FLANGED, 3/8 NC
14	71375790	1	BRACKET, STORAGE LH (PTO & LTM)
	70927075	2	BOLT, CARRIAGE, 5/16 X 1.0
	70917372	2	NUT, 5/16
15	71360772	2	SUPPORT, BEARING
	70931350	AR	BOLT, CARRIAGE, 3/8 X 1.0
	70931211	AR	NUT, SERR. FLG., 3/8
16	71369473	1	FLYWHEEL (25' & 30')(RIGID)
	70905126	1	KEY, WOODRUFF #15
	70920469	2	SETSCREW, SQ. HD. 3/8 X 3/4
	70931194	AR	LOCTITE
17	71369474	1	SHIELD, FLYWHEEL (25' & 30')(RIGID)
	70921965	5	CAPSCREW 3/8 X 3/4
	70931211	5	NUT, SER. FLG. 3/8
18	71354266	1	SHIELD, PTO SHAFT
	71192243	1	FLANGETTE
	70922787	AR	CAPSCREW, 3/8 - 16UNC X 1-1/2
	70916965	3	WASHER, LOCK, 3/8
	70931211	3	NUT, HEX, 3/8 - 16UNC
	70917378	3	WASHER, FLAT, 3/8

GGH0075  
PR: 54

FH & RH GRAIN HEADERS  
REEL

REEL SUPPORTS  
ELECTRIC REEL ADJUSTMENT FORE-AFT  
FLEX & RIGID (FH & RH)





**FH & RH GRAIN HEADERS  
REEL**

71

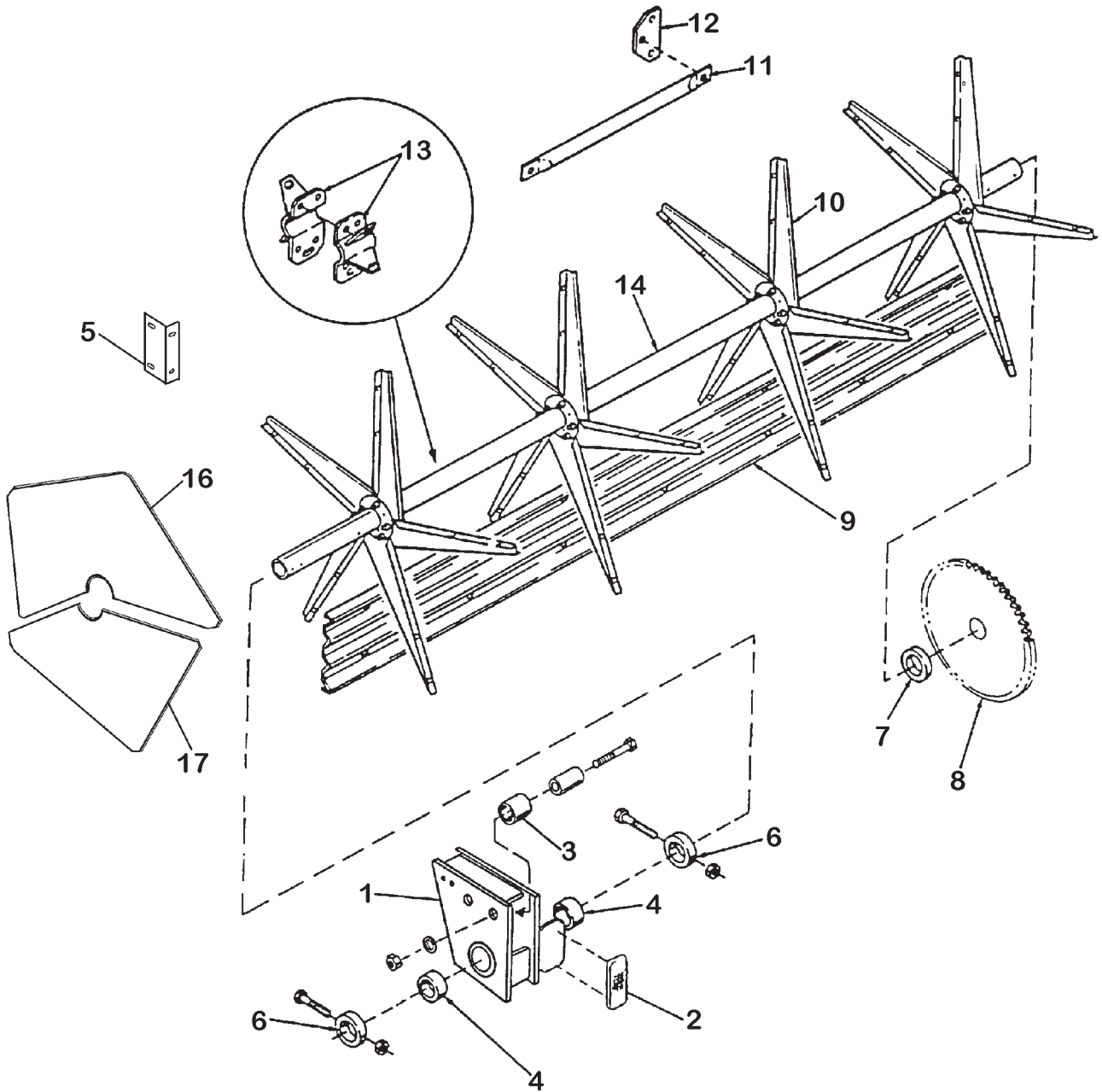
**REEL SUPPORTS  
ELECTRIC REEL ADJUSTMENT FORE-AFT  
FLEX & RIGID (FH & RH)**

ITEM	NUMBER	QTY	DESCRIPTION
1	71365957	2	BRACE, REEL SUPPORT
	70920990	4	CAPSCREW, 1/2NC X 3-1/2
	70922134	4	NUT, LOCK, 1/2NC
2	71355694	2	SHAFT, REEL SUPPORT
	70918432	4	WASHER, 5/8
	7774458	4	NUT, FLANGED, 5/8NC
3	71373662	2	SUPPORT, WLMT, REEL
	13811X	2	FITTING, LUBE
	70922918	4	CAPSCREW, 3/8 X 3-1/4
	70931211	6	NUT, FLANGE, 3/8
	70921972	2	CAPSCREW, 3/8 X 2-1/2
	Y704635	2	NUT, LOCK, 3/8
	71306292	2	DECAL, REEL RAM STOP
5	71385146	2	ACTUATOR (COMPLETE)
	71406229	AR	MOTOR, ACTUATOR
	70923320	2	CAPSCREW, 1/2 X 3
	70926116	2	CAPSCREW, 1/2 X 3-3/4
	70918431	4	WASHER, FLAT 1/2 USS
70922134	4	NUT, LOCK 1/2	
6	71365960	4	SPACER
7	71365954	4	SPACER
8	70925442	2	TIE, MOTOR
9	71354277	2	ROLLER
10	70925425	7	GROMMET
11	-----	1	SWITCH, REEL POSITION (IN CAB) (REFERENCE COMBINE PARTS CATALOG)
12	-----	1	LABEL, SWITCH (REFERENCE COMBINE PARTS CATALOG)
13	71365741	2	DECAL, REEL POSITION
14	71373659	1	SUPPORT WLDMT., MOTOR
	70922918	3	CAPSCREW, 3/8 X 3-1/4
	Y704635	1	NUT, LOCK 3/8
	70931211	2	NUT, 3/8
15	71373658	1	SUPPORT REEL, ADJ. LH
	Y704635	2	NUT, LOCK 3/8
	70922918	2	CAPSCREW, 3/8 X 3-1/4
16	71354276	2	SPACER

GGH0071  
PR: 56

FH & RH GRAIN HEADERS  
REEL

STANDARD BAT REEL  
REEL & HANGERS  
RIGID



**FH & RH GRAIN HEADERS  
REEL**

73

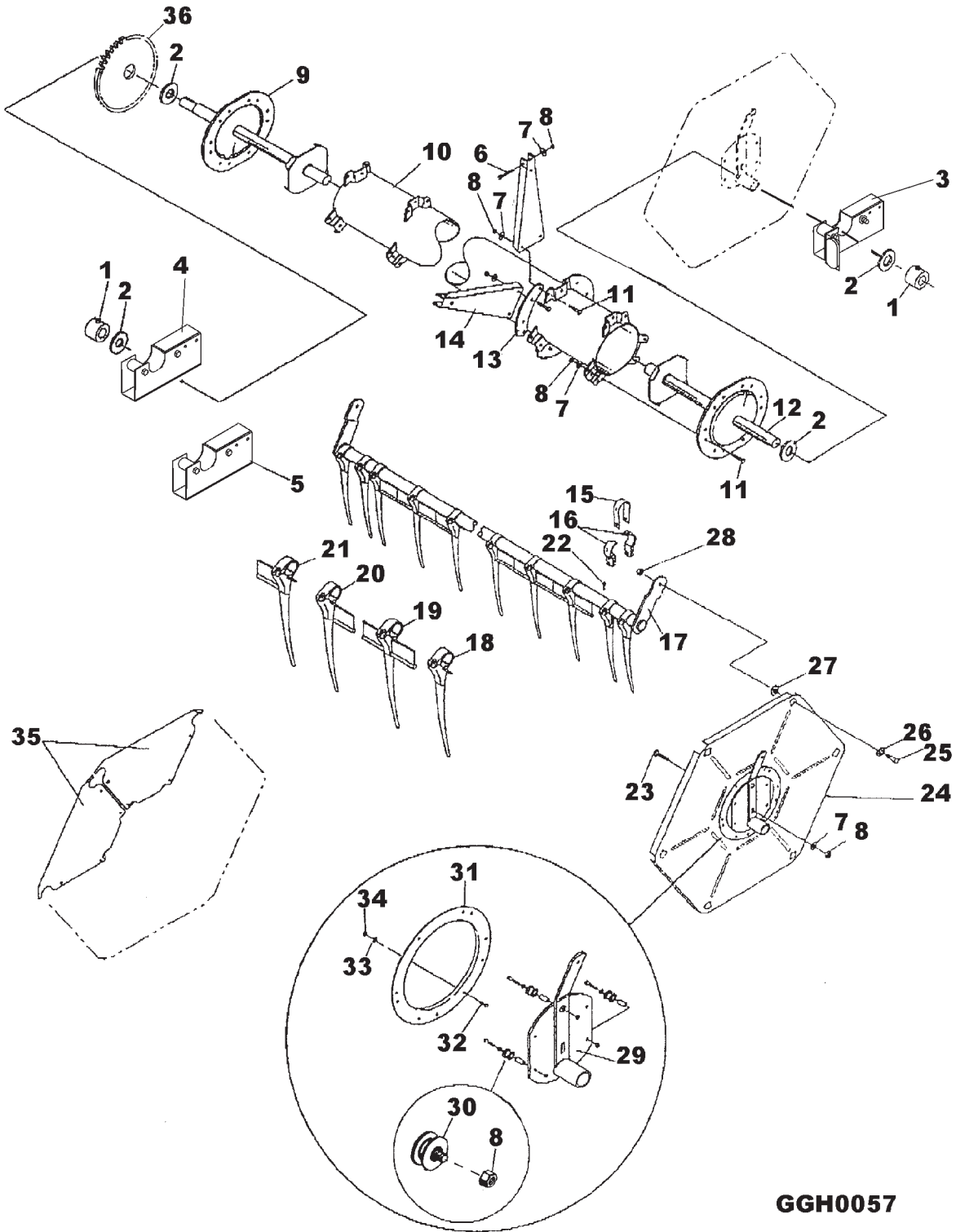
**STANDARD BAT REEL  
REEL & HANGERS  
RIGID**

ITEM	NUMBER	QTY	DESCRIPTION
1	71388781	1	HANGER WLMT., LH (25' & 30')
	71378620	1	HANGER WLMT., RH (25' & 30')
	70921412	AR	PIN, ROLL 1/4 X 2-1/4
	71376069	4	WASHER, HANGER PIVOT (25' & 30')
	13811X	1	FITTING, LUBE
2	700717403	1	REFLECTOR, YELLOW (LH ONLY)
3	71354277	4	ROLLER, PLASTIC
	71354276	4	SPACER
	70923320	2	CAPSCREW, 1/2 X 3
	70931187	2	NUT, SER. FLG. 1/2
4	71316764	4	BEARING, REEL SHAFT, 2-3/4" O.D. X 2-13/32" I.D. (25' & 30')
	71376067	5	BRACKET, REEL END RH (FOR END SHIELDS)
	71376060	5	BRACKET, REEL END LH (FOR END SHIELDS)
	70931317	20	BOLT, RHSSN, 1/4-20 X 3/4
	70917377	20	WASHER, 1/4
	70916964	20	WASHER, LOCK, 1/4
	70916622	20	NUT, 1/4-20
6	71328520	3	STOP, REEL (25' & 30')
	70925690	3	CAPSCREW, 5/16NC X 3-1/2
	70923362	3	NUT, LOCK, 5/16NC
7	71328521	1	SPACER, REEL (25' & 30')
8	71371903	1	SPROCKET (25' & 30')(72T)
	70925960	1	CAPSCREW, 5/16NC X 3-1/2 (25' & 30')
	70923362	AR	NUT, LOCK, 5/16NC (25' & 30')
9	71366477	5	BAT, REEL (25')
	71316749	5	BAT, REEL (30')
	70923341	AR	CAPSCREW, 1/4NC X 3/4 (25' & 30')
	70917377	AR	WASHER, 1/4
	70923358	AR	NUT, LOCK, 1/4NC
10	71386970	AR	ARM, REEL (TYPE 2)
	-----	AR	QTYS.= (30 for 25') & (35 FOR 30')
	7703432	AR	CAPSCREW, FLANGED 3/8NC X 3/4
	70928352	AR	NUT, FLANGED, 3/8NC
11	71328519	1	BRACE, REEL (30')
	70921210	AR	CAPSCREW, 3/8 X 1.0
	Y704635	AR	NUT, LOCK, 3/8
	70918266	AR	WASHER 3/8 SAE
12	71328837	10	PLATE, REEL (30')
13	71328830	4	HUB, REEL BRACE (30')
	7703424	AR	CAPSCREW, FLANGED, 3/8NC X 1.0
	368270X1	AR	CAPSCREW, FLANGED, 3/8NC X 1-1/4
	70928352	AR	NUT, FLANGED 3/8
14	71366478	1	SHAFT, REEL, 2-3/8" DIA. (25')
	71341423	1	SHAFT, REEL, 2-3/8" DIA. (30')
16	71376062	2	SHIELD, REEL END, LARGE
17	71376061	2	SHIELD, REEL END, SMALL

GGH0067  
PR: 58

FH & RH GRAIN HEADERS  
REEL

PICKUP REEL (HCC)  
LEVEL ("2")  
FLEX & RIGID (6 INCH FINGER SPACING)



GGH0057

**FH & RH GRAIN HEADERS  
REEL**

75

**PICKUP REEL (HCC)  
LEVEL ("2")  
FLEX & RIGID (6 INCH FINGER SPACING)**

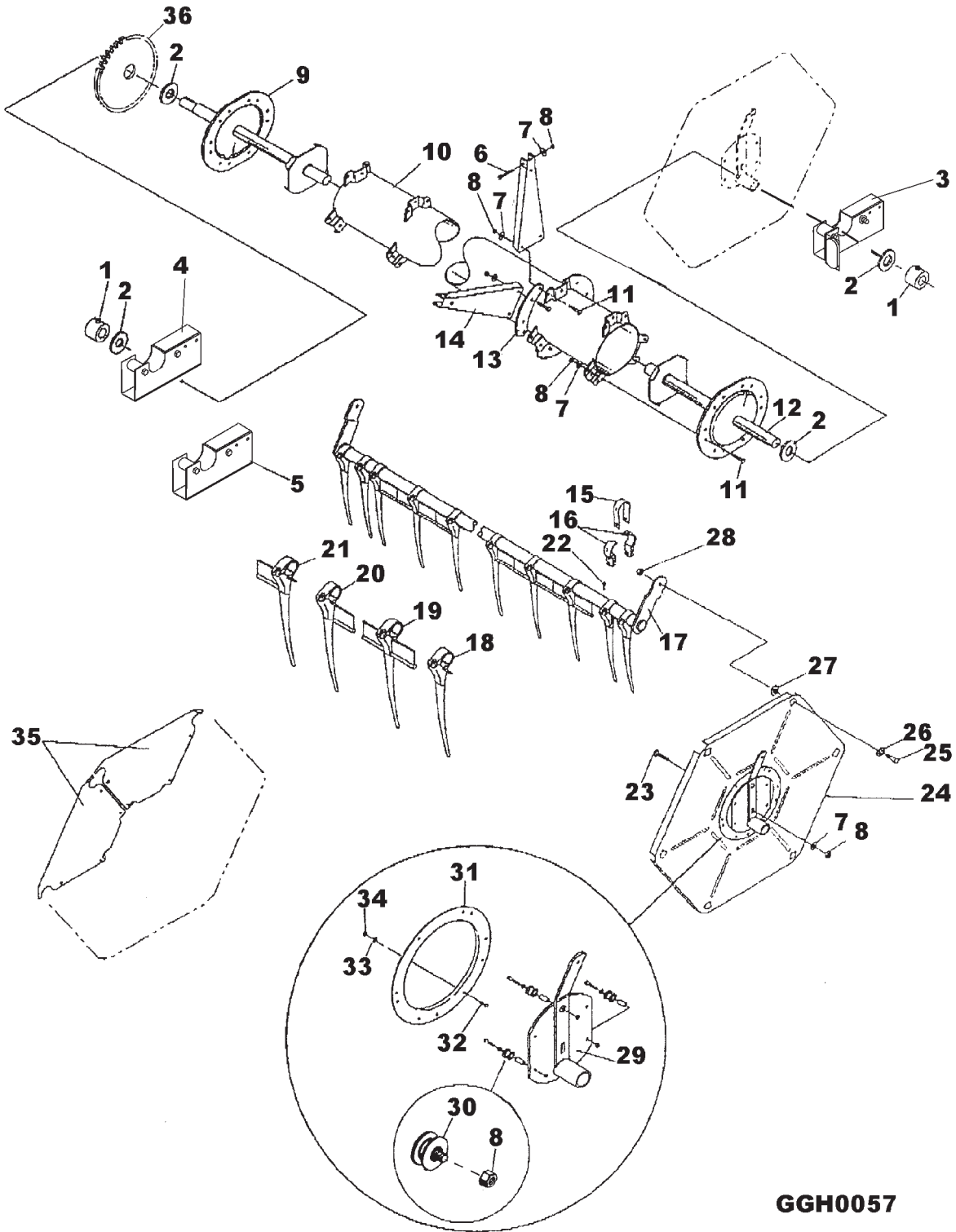
ITEM	NUMBER	QTY	DESCRIPTION
1	71368521	2	COLLAR, LOCK
	70950880	4	SCREW, SET M10 X 1.5 X 10
2	71136184	4	WASHER, SPECIAL 2-1/4" O.D.
3	71354435	1	BRACKET ASY., LH (INCL ROLLERS, SPACERS, & HARDWARE)(18' THRU 30')
4	71370463	1	BRACKET ASY., RH (18' & 20'(INCL ITEMS 3, ROLLERS, SPACERS & HARDWARE.)
5	71354437	1	BRACKET ASY., RH (25' & 30')(INCL ITEMS 3, ROLLERS, SPACERS & HARDWARE.)
6	7703218	AR	CAPSCREW, M10 X 1.5 X 50
7	70950220	AR	WASHER, LOCK, M10
8	70950985	AR	NUT, LOCK, M10 X 1.5
9	71388800	1	SHAFT, DRIVING-END/SINGLE (18' & 20')
	71389101	1	SHAFT, DRIVING END/DOUBLE (25' & 30')
10	71389115	1	SHAFT, CENTER (18')(5-SPIDER)
	71389114	1	SHAFT, CENTER (20')(5-SPIDER)
	71389112	1	SHAFT, CENTER (25')(6-SPIDER)
	71389110	1	SHAFT, CENTER (30')(7-SPIDER)
11	70950037	AR	CAPSCREW, M10 X 1.5 X 30
12	71389102	1	SHAFT, DRIVEN END
13	71389103	AR	PLATE, ASY.,(ANCHOR) QTY=(9 FOR 18' & 20',15 FOR 25' & 30')
14	71367257	AR	ARM, REEL QTY=(30 FOR 18' & 20',42 FOR 25' & 30')
15	71367255	AR	STRAP, BEARING, REEL ARM QTY=(30 FOR 18' & 20',42 FOR 25' & 30')
16	71367256	AR	BEARING, REEL ARM QTY=(60 FOR 18' & 20',84 FOR 25' & 30')
17	71389123	6	TUBE, WELDMENT, FINGER (18')
	71389122	6	TUBE, WELDMENT, FINGER (20')
	71389120	6	TUBE, WELDMENT, FINGER (25')
	71389118	6	TUBE, WELDMENT, FINGER (30')
18	71389109	AR	FINGER, PLASTIC (NO BAT) QTY=(21 FOR 18' & 20',24 FOR 25' & 30')
19	71389106	AR	FINGER, PLASTIC (FULL BAT) QTY=(171 FOR 18',195 FOR 20',249 FOR 25' & 303 FOR 30')

CONTINUED

GGH0057  
PR: 60

FH & RH GRAIN HEADERS  
REEL

PICKUP REEL (HCC)  
LEVEL ("2")  
FLEX & RIGID (6 INCH FINGER SPACING)



GGH0057

**FH & RH GRAIN HEADERS  
REEL**

77

**PICKUP REEL (HCC)  
LEVEL ("2")  
FLEX & RIGID (6 INCH FINGER SPACING)**

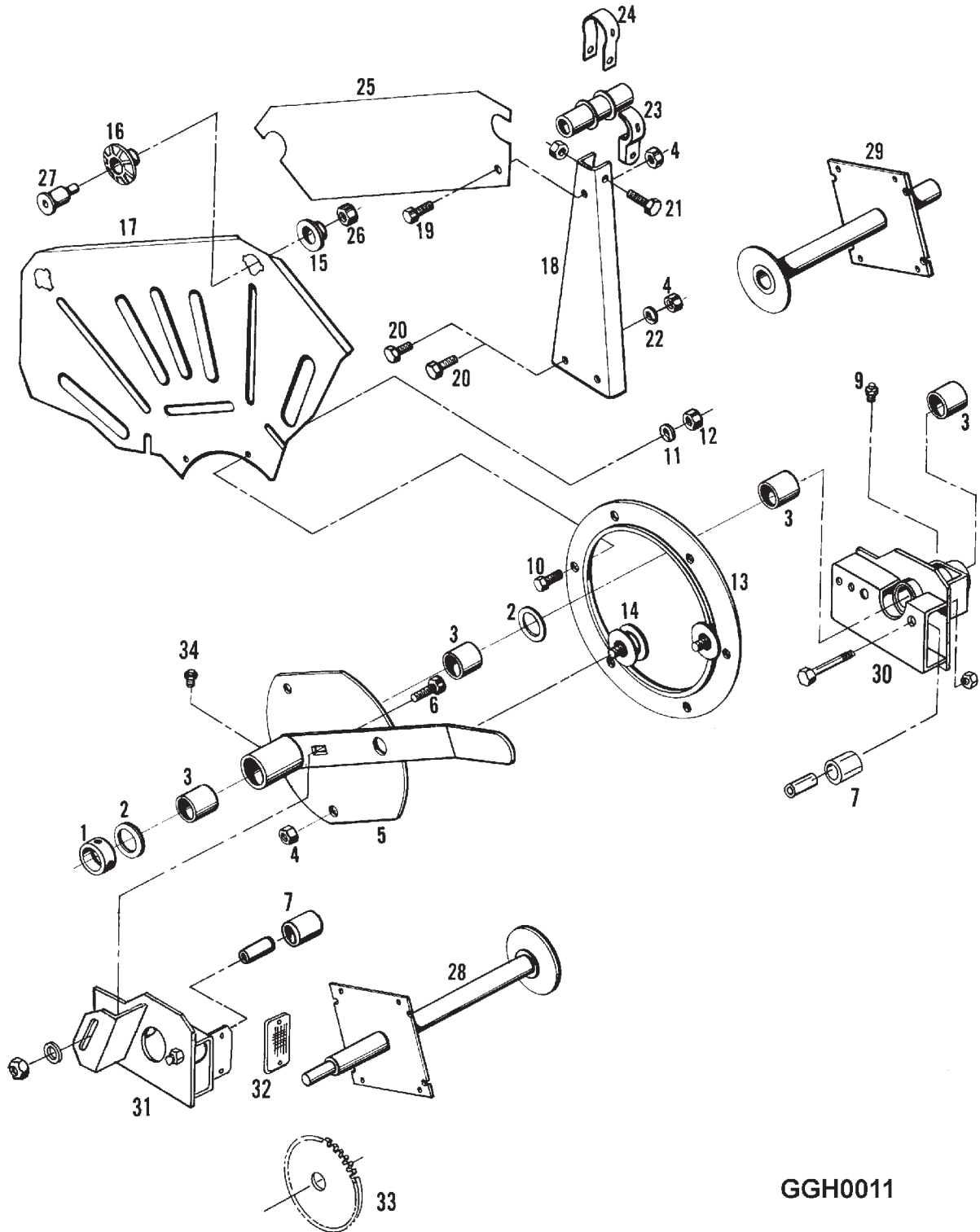
ITEM	NUMBER	QTY	DESCRIPTION
20	71389108	AR	FINGER, PLASTIC (RH-BAT) QTY=(15 FOR 18' THRU 25',18 FOR 30')
21	71389107	AR	FINGER, PLASTIC (LH-BAT) QTY=(12 FOR 18' & 20',15 FOR 25',18 FOR 30')
22	70951293	AR	SCREW, SLOTTED, 3.5 X 1.3 X 16 METRIC QTY=(219 FOR 18',243 FOR 20',303 FOR 25' & 363 FOR 30')
23	70950176	AR	BOLT, RHSN, M12 X 1.75 X 40
24	71389136	AR	SHIELD, ECCENTRIC END
25	71368520	AR	SCREW, SOC HD SHOULDER, M12 X 1.75 X 50
26	71368704	AR	BEARING, ECCENTRIC, (MALE)
27	71368703	AR	BEARING, ECCENTRIC, (FEMALE)
28	70950946	AR	NUT, M12 X 1.75
29	71368706	AR	FRAME, ROLLER, ECCENTRIC
	71391291	AR	DECAL LEVEL ("2")
	70914463	AR	FITTING, LUBE
30	71368702	AR	BEARING, ROLLER
31	71136185	AR	RING, ECCENTRIC CONTROL
32	70950018	AR	BOLT, M8 X 1.25 X 20
33	1177981	AR	WASHER, LOCK, M8
34	1122477	AR	NUT, M8 X 1.25
35	71368511	6	END SHIELD, RH END (18' & 20')
	70950036	AR	CAPSCREW, M10 X 1.5 X 25
	70950985	AR	NUT, LOCK, M10 X 1.5
36	71320310	1	SPROCKET ASY. (DRIVING-78T.)
	70905127	1	KEY, WOODRUFF #1008
	70923306	1	SETSCREW 1/2-13 X 1"
-	71530121	AR	*KIT, PICKUP REEL, (HCC) (18FT.)
-	71530122	AR	*KIT, PICKUP REEL, (HCC) (20FT.)
-	71530117	AR	*KIT, PICKUP REEL, (HCC) (25FT.)
-	71530118	AR	*KIT, PICKUP REEL, (HCC) (30FT.)

\*(ORDER THRU DEALER CENTRAL)

GGH0057  
PR: 60

FH & RH GRAIN HEADERS  
REEL

PICKUP REEL (HCC)  
LEVEL ("2")  
FLEX & RIGID



GGH0011



**FH & RH GRAIN HEADERS  
REEL**

79

**PICKUP REEL (HCC)  
LEVEL ("2")  
FLEX & RIGID**

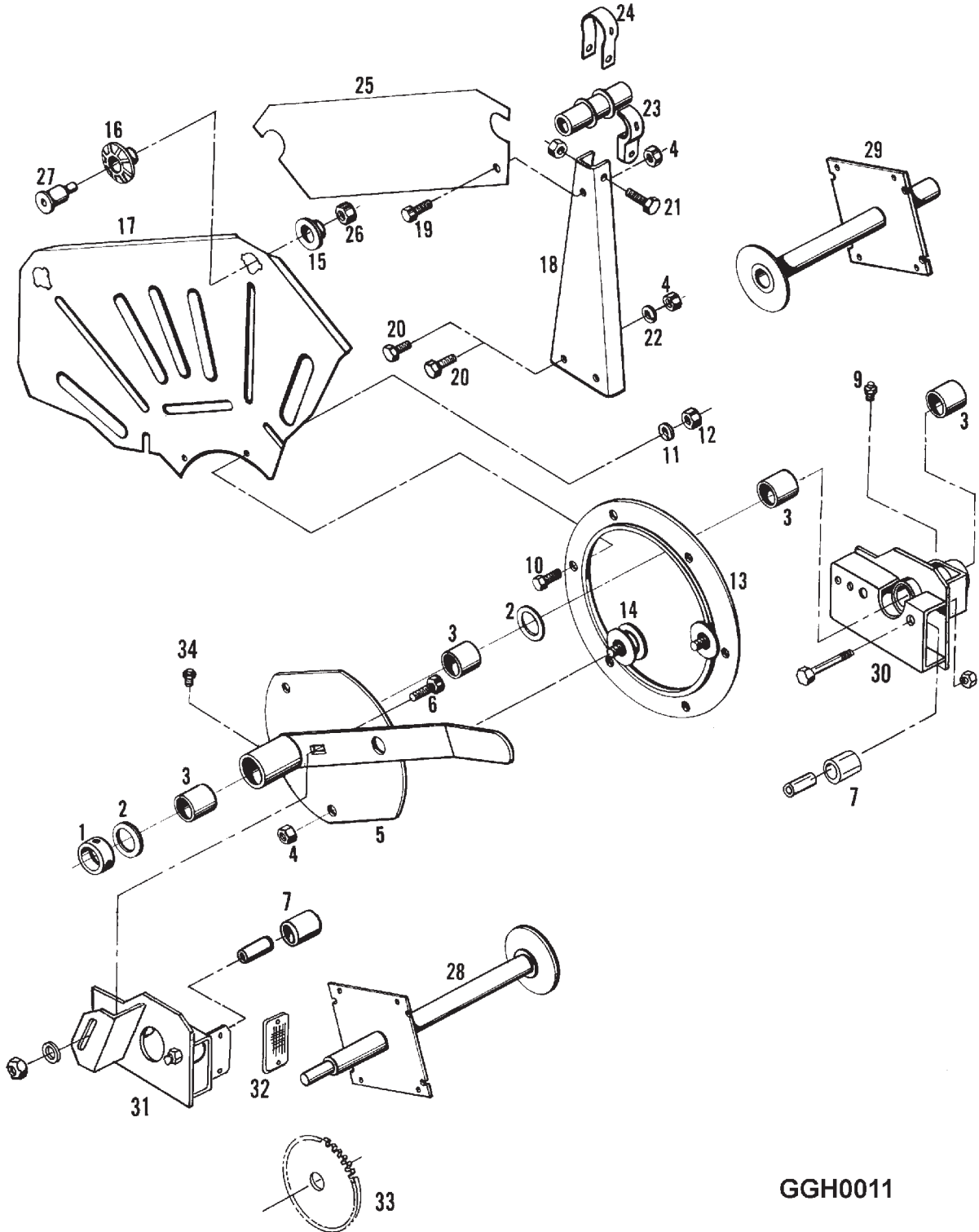
ITEM	NUMBER	QTY	DESCRIPTION
1	71368521	2	COLLAR, LOCK
	70950880	4	SCREW, SET M10 X 1.5 X 10
2	71136184	4	WASHER, SPECIAL 2-1/4" O.D.
3	71141320	4	BUSHING
4	70950985	AR	NUT, LOCK, M10 X 1.5
5	71368706	AR	FRAME, ROLLER, ECCENTRIC
	71391291	AR	DECAL LEVEL ("2")
6	70950176	AR	BOLT, RHSN, M12 X 1.75 X 40
7	71354277	4	ROLLER, PLASTIC
	71354276	4	SPACER, TUBING
	70950058	4	CAPSCREW, M12 X 1.75 X 80
8	71368522	AR	WASHER, BELLEVILLE, M12 (NOT SHOWN)
9	70922887	2	FITTING, LUBE, STR
10	70950018	AR	BOLT, M8 X 1.25 X 20
11	1177981	AR	WASHER, LOCK, M8
12	1122477	AR	NUT, M8 X 1.25
13	71136185	AR	RING, ECCENTRIC CONTROL
14	71368702	AR	BEARING, ROLLER
15	71368703	AR	BEARING, ECCENTRIC, (FEMALE)
16	71368704	AR	BEARING, ECCENTRIC, (MALE)
17	71389136	AR	SHIELD, ECCENTRIC END
18	71367257	AR	ARM, REEL
19	70950036	AR	CAPSCREW, M10 X 1.5 X 25
20	70950037	AR	CAPSCREW, M10 X 1.5 X 30
21	7703218	AR	CAPSCREW, M10 X 1.5 X 50
22	70950220	AR	WASHER, LOCK, M10
23	71367256	AR	BEARING, REEL ARM
24	71367255	AR	STRAP, BEARING, REEL ARM
25	71368511	6	END SHIELD, RH END (SINGLE ECCENTRIC)
26	70950946	AR	NUT, M12 X 1.75
27	71368520	AR	SCREW, SOC HD SHOULDER, M12 X 1.75 X 50
28	71388800	1	SHAFT,DRIVING-END/SINGLE(18' & 20')
	71389101	1	SHAFT,DRIVING-END/DOUBLE(25' & 30')
29	71389102	1	SHAFT, DRIVEN END (18' THRU 30')

CONTINUED

GGH0011  
PR: 64

FH & RH GRAIN HEADERS  
REEL

PICKUP REEL (HCC)  
LEVEL ("2")  
FLEX & RIGID



GGH0011

**FH & RH GRAIN HEADERS  
REEL**

81

**PICKUP REEL (HCC)  
LEVEL ("2")  
FLEX & RIGID**

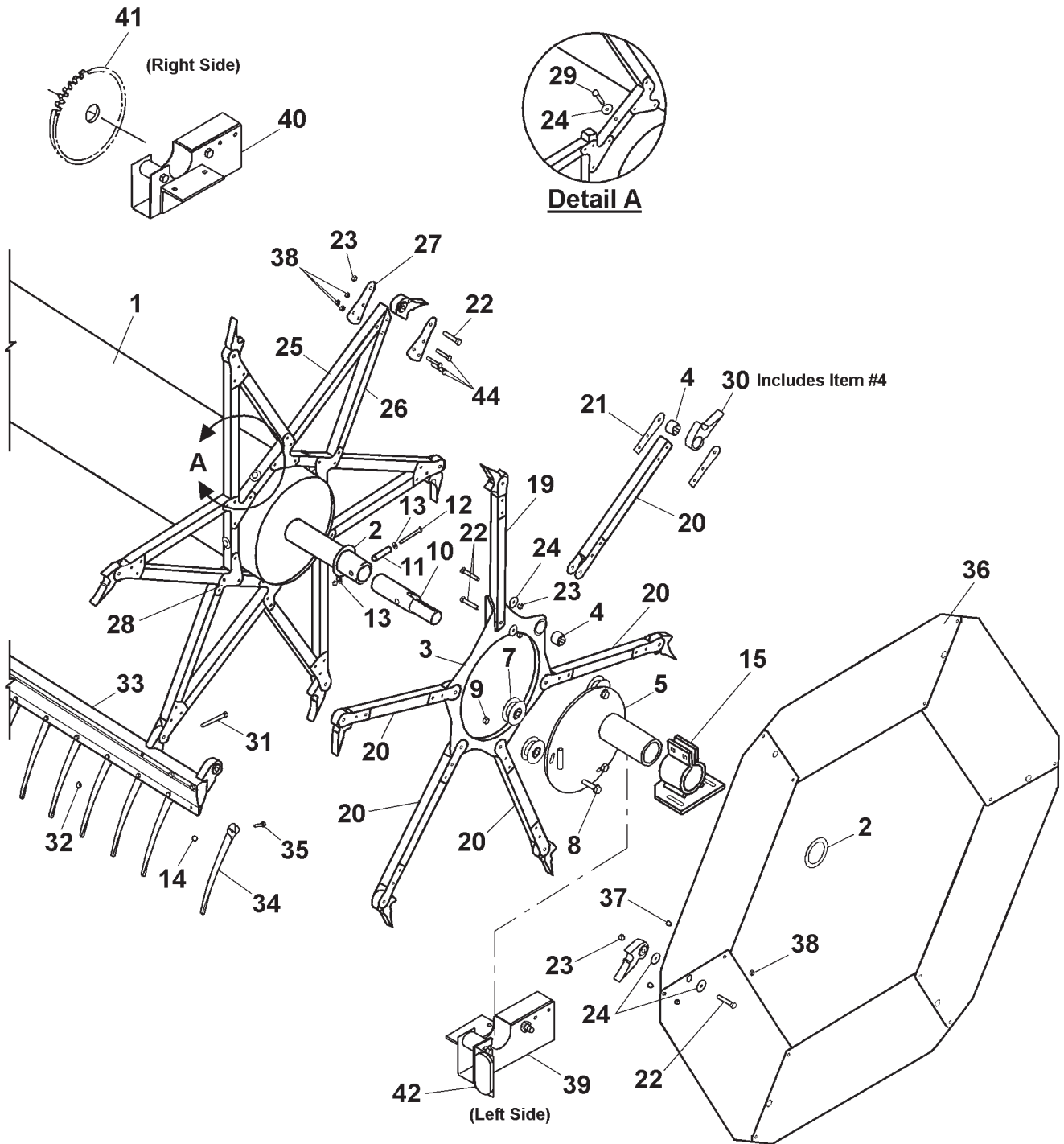
ITEM	NUMBER	QTY	DESCRIPTION
30	71370463	1	BRACKET ASY., RH (18 & 20'(INCL ITEMS 3, ROLLERS, SPACERS & HARDWARE)
	71354437	1	BRACKET ASY., RH (25' & 30')(INCL ITEMS 3, ROLLERS, SPACERS & HARDWARE)
31	71354435	1	BRACKET ASY., LH (INCL ROLLERS, SPACERS, & HARDWARE)(18' THRU 30')
32	71324207	1	REFLECTOR, AMBER
	70918148	2	SCREW
	70910533	2	WASHER, LOCK
	70917415	2	NUT
33	71320310	1	SPROCKET ASY. (DRIVING-78T.)
	70905127	1	KEY, WOODRUFF #1008
	70923306	1	SETSCREW 1/2-13 X 1"
34	70914463	AR	FITTING, LUBE
-	71530121	AR	*KIT, PICKUP REEL, (HCC) (18FT.)
-	71530122	AR	*KIT, PICKUP REEL, (HCC) (20FT.)
-	71530117	AR	*KIT, PICKUP REEL, (HCC) (25FT.)
-	71530118	AR	*KIT, PICKUP REEL, (HCC) (30FT.)

\*(ORDER THRU DEALER CENTRAL)

GGH0011  
PR: 64

FH & RH GRAIN HEADERS  
REEL

PICKUP REEL (UHC U-11)  
FLEX & RIGID



**FH & RH GRAIN HEADERS  
REEL**

83

**PICKUP REEL (UHC U-11)  
FLEX & RIGID**

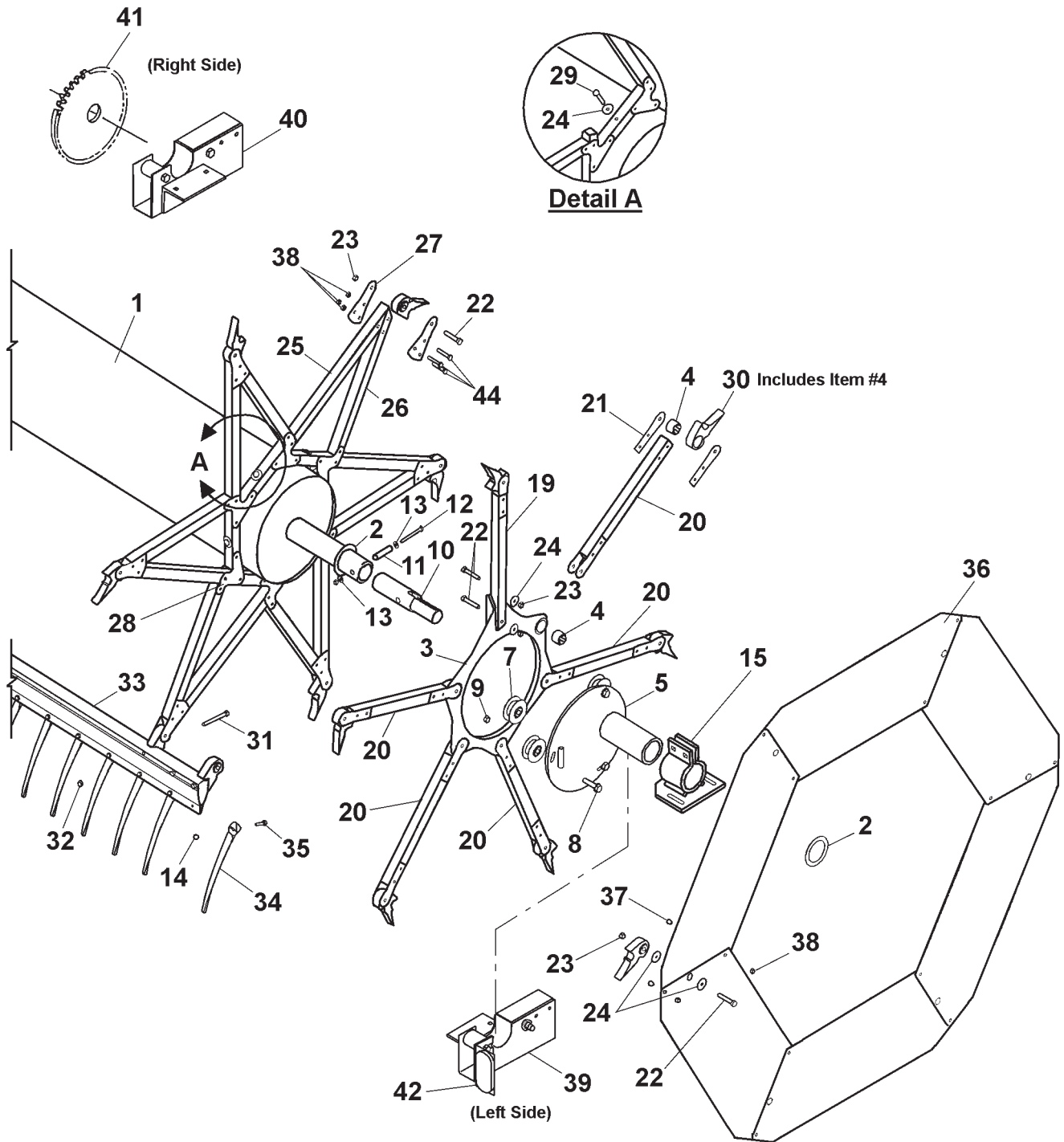
ITEM	NUMBER	QTY	DESCRIPTION
1	71386626	1	CENTERSHAFT (18 FT.)
	71386627	1	CENTERSHAFT (20 FT.)
	71386628	1	CENTERSHAFT (25 FT.)
	71386629	1	CENTERSHAFT (30 FT.)
2	700708889	4	WASHER, 2.031 X 2.750
3	700719073	2	RING, ECCENTRIC CONTROL (6-BAT)
4	700713276	10	BEARING, BALL
5	700708886	2	PLATE ASY., CONTROL
	70914465	2	FITTING, LUBE, .125-27 PTF/SHORT
	700721666	2	BUSHING
7	700708888	6	PLATE ASY., ROLLER CONTROL
8	368854X1	6	CAPSCREW, HFS, 3/8-16 X 1-3/4
9	Y704635	6	NUT, CTR-LOCK, HEX, 3/8-16
10	700708892	1	SHAFT, STUB
11	70917864	2	PIN, SPRING, 1/20X 2.00 SLTD
12	70923282	2	CAPSCREW, 1/4-20 X 2-1/2
	70923358	2	NUT, CTR-LOCK, HEX, 1/4-20
13	70918264	4	WASHER, 1/4 SAE
14	70923358	AR	NUT, CTR-LOCK, HEX, 1/4-20
15	3728605M1	2	MOUNTING ASY., CLAMP
	70922787	4	BOLT, CARRIAGE, RHSN, 3/8-16 X 1-1/2
	70918266	4	WASHER, FLAT, 3/8
	Y704635	4	NUT, CTR-LOCK, HEX, 1/4-20
19	700708872	2	ARM, FIXED CONTROL
20	700708873	10	ARM, REGULAR CONTROL
21	700708864	44	END PLATE
	70922837	AR	CAPSCREW, 1/4-20 X 1-1/2
	70928372	AR	NUT, 1/4-20 KEPS
22	70922127	AR	CAPSCREW, 5/16-18 X 1-3/4
23	832302M1	AR	NUT, NYLON-LOCK, HEX, 5/16-18
24	832035M1	AR	WASHER, 3/4 X 1.00
25	2763079M1	AR	ARM, LONG, (6 X 42-8")
26	2763080M1	AR	ARM, BRACE, (6 X 42-8")
27	700708863	AR	TIP PLATE
28	2763083M1	AR	INNER PLATE, (6 X42-8") (18 THRU 25 FT.)
	71386644	72	INNER PLATE, (6 X42-10") (30 FT. ONLY)
	70922837	AR	CAPSCREW, 1/4-20 X 1-1/2
	70928372	AR	NUT, 1/4-20 KEPS
29	350085X1	AR	CAPSCREW, 5/16-18 X 2.00 W/EXT LW

CONTINUED

71386649  
PR: 68

FH & RH GRAIN HEADERS  
REEL

PICKUP REEL (UHC U-11)  
FLEX & RIGID



**FH & RH GRAIN HEADERS  
REEL**

85

**PICKUP REEL (UHC U-11)  
FLEX & RIGID**

ITEM	NUMBER	QTY	DESCRIPTION
30	700716861	AR	HOLDER ASY., BEARING (INCLS. ITEM # 4)
	700713276	AR	BEARING, BALL
31	70923141	AR	CAPSCREW, 5/16-18 X 2-3/4
32	70923362	AR	NUT, CTR-LOCK, HEX, 5/16-18
33	71386633	6	BAT (18 FT.)
	71386634	6	BAT (20 FT.)
	71386635	6	BAT (25 FT.)
	71386636	6	BAT (30 FT.)
34	700714195	AR	PLASTIC TINE
35	70927401	AR	CAPSCREW, 1/4-20 X 1.00
36	1055913M1	12	SHIELD SECTION
37	373106X1	24	SCREW, TRUSS HD, 1/4-20 X .38
38	70928372	AR	NUT, 1/4-20 KEPS
39	71386646	1	MOUNTING BRACKET, (LH)
	71354277	2	ROLLER, MOUNTING BRACKET
	71354276	2	BUSHING, MOUNTING BRACKET ROLLER
	70923320	2	CAPSCREW, HEX, 1/2-13 X 3.00
	70931187	2	NUT, HEX, FLG., 1/2-13
40	71386647	1	MOUNTING BRACKET, (RH)
	71354277	2	ROLLER, MOUNTING BRACKET
	71354276	2	BUSHING, MOUNTING BRACKET ROLLER
	70923320	2	CAPSCREW, HEX, 1/2-13 X 3.00
	70931187	2	NUT, HEX, FLG., 1/2-13
41	71320310	1	SPROCKET ASY., (78T)
	11335	1	KEY, .31 X 1-1/2 SQ.
	70923306	1	SETSCREW, 1/2-13 X 1.00 SQ.HD.CUP PT
42	71386648	1	REFLECTOR ASY.
	71324207	1	LENS, REFLECTOR (AMBER)
	70918148	2	SCREW, #10-32 X 5/8
	70910533	2	WASHER, LOCK, #10
	70917415	2	NUT, 10-32
44	70922837	AR	CAPSCREW, 1/4-20 X 1-1/2
-	71530123	AR	*KIT, PICKUP REEL, (UHC U-11) (18')
-	71530124	AR	*KIT, PICKUP REEL, (UHC U-11) (20')
-	71530119	AR	*KIT, PICKUP REEL, (UHC U-11) (25')
-	71530120	AR	*KIT, PICKUP REEL, (UHC U-11) (30')

\*(ORDER THRU DEALER CENTRAL)

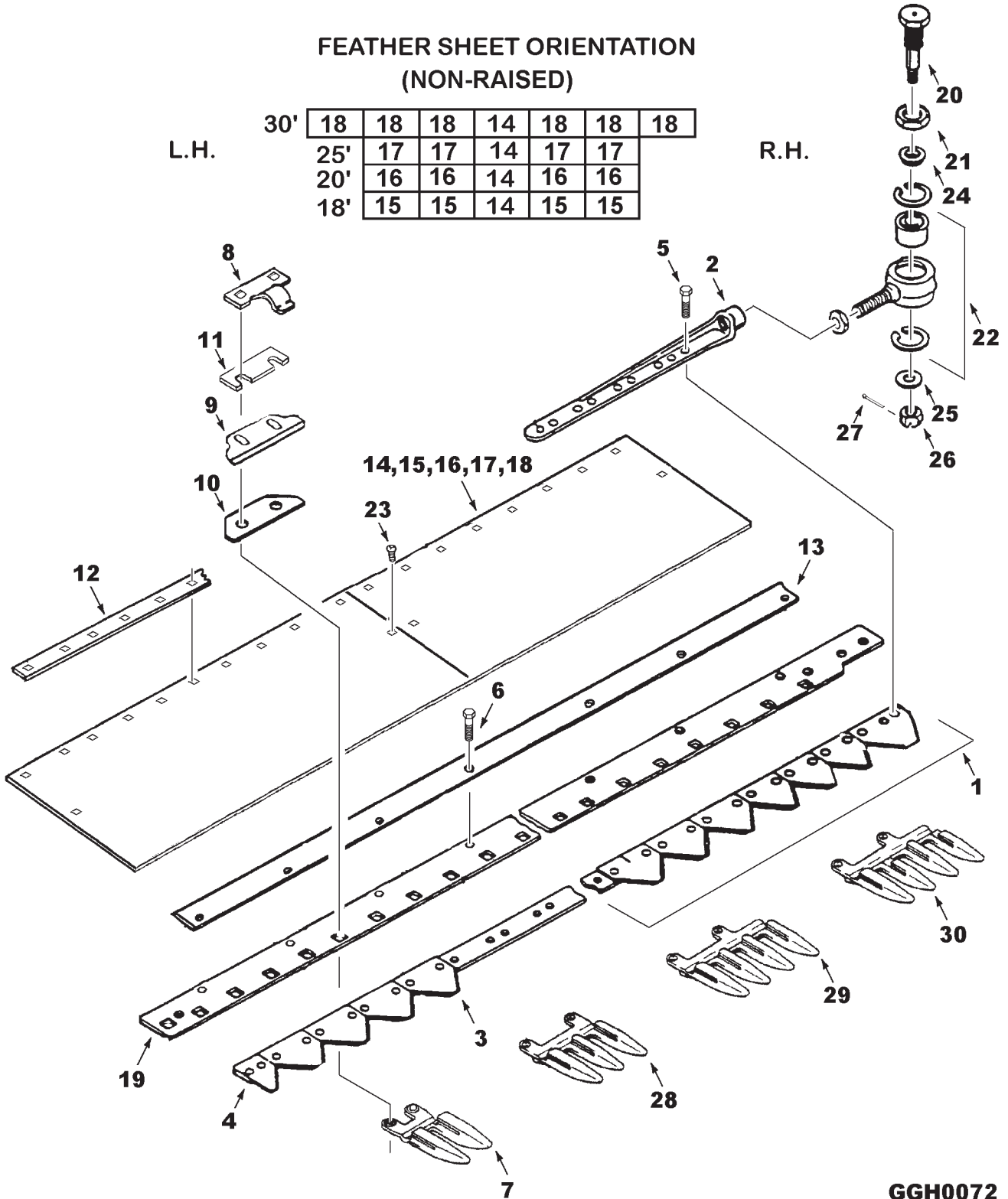
71386649  
PR: 68

FH & RH GRAIN HEADERS  
CUTTER BAR

SICKLES & GUARDS  
FLEX

FEATHER SHEET ORIENTATION  
(NON-RAISED)

L.H.	30'	18	18	18	14	18	18	18
	25'	17	17	14	17	17		
	20'	16	16	14	16	16		
	18'	15	15	14	15	15		





**FH & RH GRAIN HEADERS  
CUTTER BAR**

87

**SICKLES & GUARDS  
FLEX**

ITEM	NUMBER	QTY	DESCRIPTION
-	71348718	AR	SICKLE ASY., W/OUT 3/4-16 HEAD, (18') (INCL. ITEMS 3-6)
-	700722262	AR	SICKLE ASY., SPLIT (20') (INCL. ITEMS 1-6 & REINFORCEMENT BAR)
	71391979	1	BAR, REINFORCEMENT (NOT ILLUSTRATED)
-	71394177	AR	SICKLE ASY., W/HEAD (HEAVY DUTY) (20')
	71391979	1	BAR, REINFORCEMENT (NOT ILLUSTRATED)
-	71394187	AR	SICKLE ASY., W/OUT HEAD (20')
-	700722263	AR	SICKLE ASY., SPLIT (25') (INCL. ITEMS 1-6 & REINFORCEMENT BAR)
	71391979	1	BAR, REINFORCEMENT (NOT ILLUSTRATED)
-	71394180	AR	SICKLE ASY., W/HEAD (HEAVY DUTY) (25')
	71391979	1	BAR, REINFORCEMENT (NOT ILLUSTRATED)
	71389144	1	KNIFE BACK (25') (NOT ILLUSTRATED)
-	71394190	AR	SICKLE ASY., W/OUT HEAD (25')
-	700722260	AR	SICKLE ASY., SPLIT (30') (INCL. ITEMS 1-6 & REINFORCEMENT BAR)
	71391979	1	BAR, REINFORCEMENT (NOT ILLUSTRATED)
-	71394184	AR	SICKLE ASY., W/HEAD (HEAVY DUTY) (30')
	71391979	1	BAR, REINFORCEMENT (NOT ILLUSTRATED)
	71389142	1	KNIFE BACK (30') (NOT ILLUSTRATED)
-	71394194	AR	SICKLE ASY., W/OUT HEAD (30')
1	700722270	1	HEAD END, SPLIT SICKLE (WITH HEAD)
	700722271	AR	CENTER, SPLIT SICKLE 1 REQ. FOR 20', 25' 2 REQ. FOR 30'
	700722275	1	TAIL END, SPLIT SICKLE (20')
	700722276	1	TAIL END, SPLIT SICKLE (25')
	700722273	1	TAIL END, SPLIT SICKLE (30')
-	71399776	AR	SPLICE KIT, SPLIT SICKLE (INCL. TOP, BOTTOM SPLICE & HARDWARE) 2 REQ. FOR 20', 25' 3 REQ. FOR 30'
	71399777	1	SPLICE, BOTTOM, 2" 60 DEG. (NOT SHOWN)
	71399778	1	SPLICE, TOP, 2" 90 DEG. (NOT SHOWN)
	71399779	10	SCREW, SOCKET HD MACH
	71345596	10	NUT, LOCK M12-24
2	71389141	1	HEAD, SICKLE (3/4-16 W/10-RIVET)
	71391978	1	HEAD, SICKLE (7/8-14 W/10-RIVET)
3	71351135	AR	SECTION, SICKLE (BLACK)(HEAVY DUTY)
	71348175	AR	SECTION, SICKLE (CHROME)(HEAVY DUTY)
4	71351139	2	SECTION, BLANK (HALF)
	71389145	1	SECTION, BLANK
5	700705297	AR	BOLT, SICKLE HEAD #12-24 X 1
	373839X1	AR	NUT, CONE-LOCK
6	700705296	AR	BOLT, SECTION #12-24 X 5/8
	700715170	8	BOLT, SECTION #12-24 X 3/4
	373839X1	AR	NUT, CONE-LOCK #12
7	71386962	AR	GUARD, SICKLE(DOUBLE HEAT TREATED)
	70931350	AR	BOLT, 3/8NC X 1
	70922787	AR	BOLT, 3/8NC X 1-1/2
	70931211	AR	NUT, FLANGED, 3/8-16
8	71346158	AR	CLIP, SICKLE
9	71116532	AR	PLATE, WEAR
10	71134082	AR	SPACER

CONTINUED

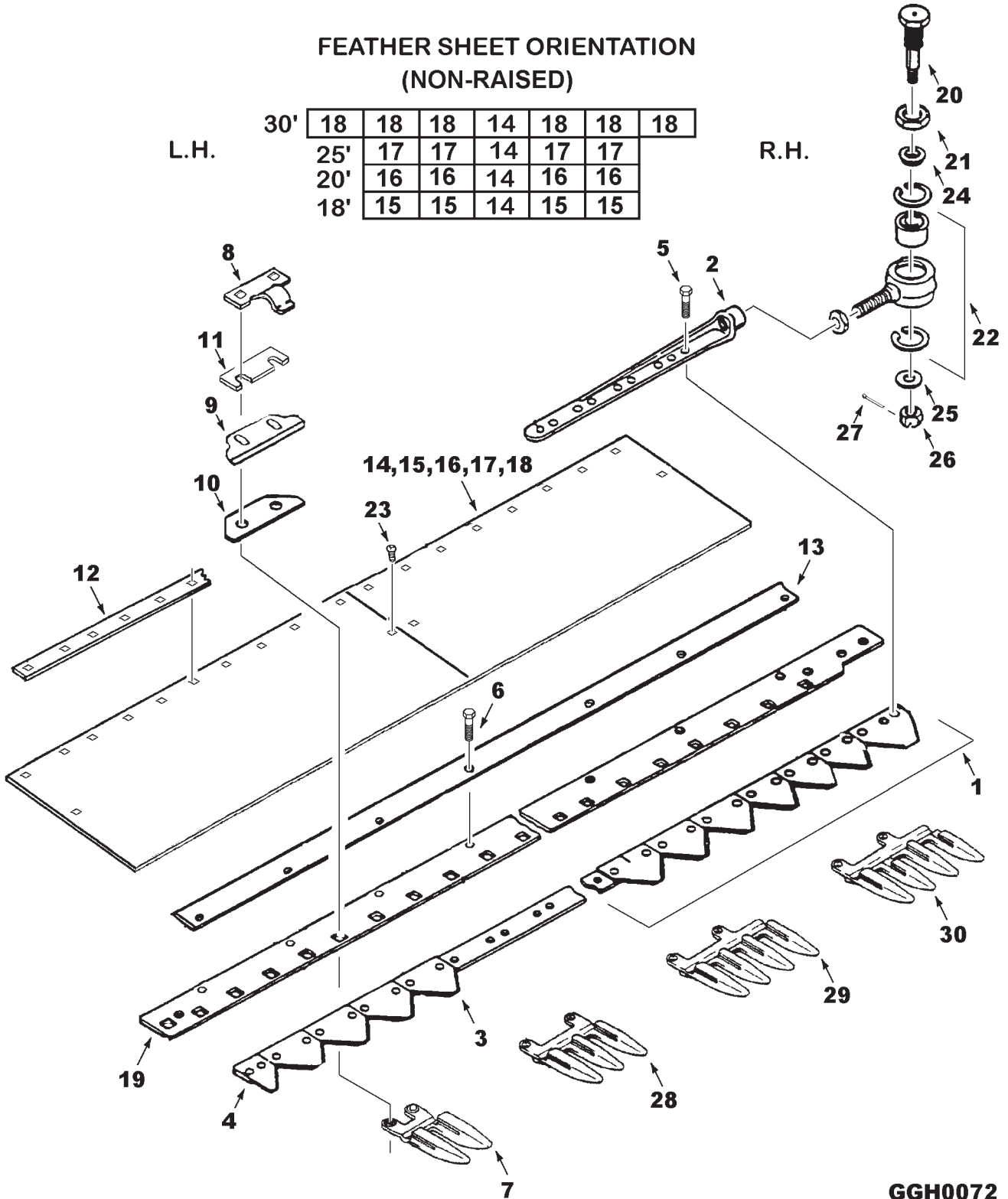
GGH0072  
PR: 72

FH & RH GRAIN HEADERS  
CUTTER BAR

SICKLES & GUARDS  
FLEX

FEATHER SHEET ORIENTATION  
(NON-RAISED)

L.H.	30'	18	18	18	14	18	18	18
	25'	17	17	14	17	17		
	20'	16	16	14	16	16		
	18'	15	15	14	15	15		



**FH & RH GRAIN HEADERS  
CUTTER BAR**

89

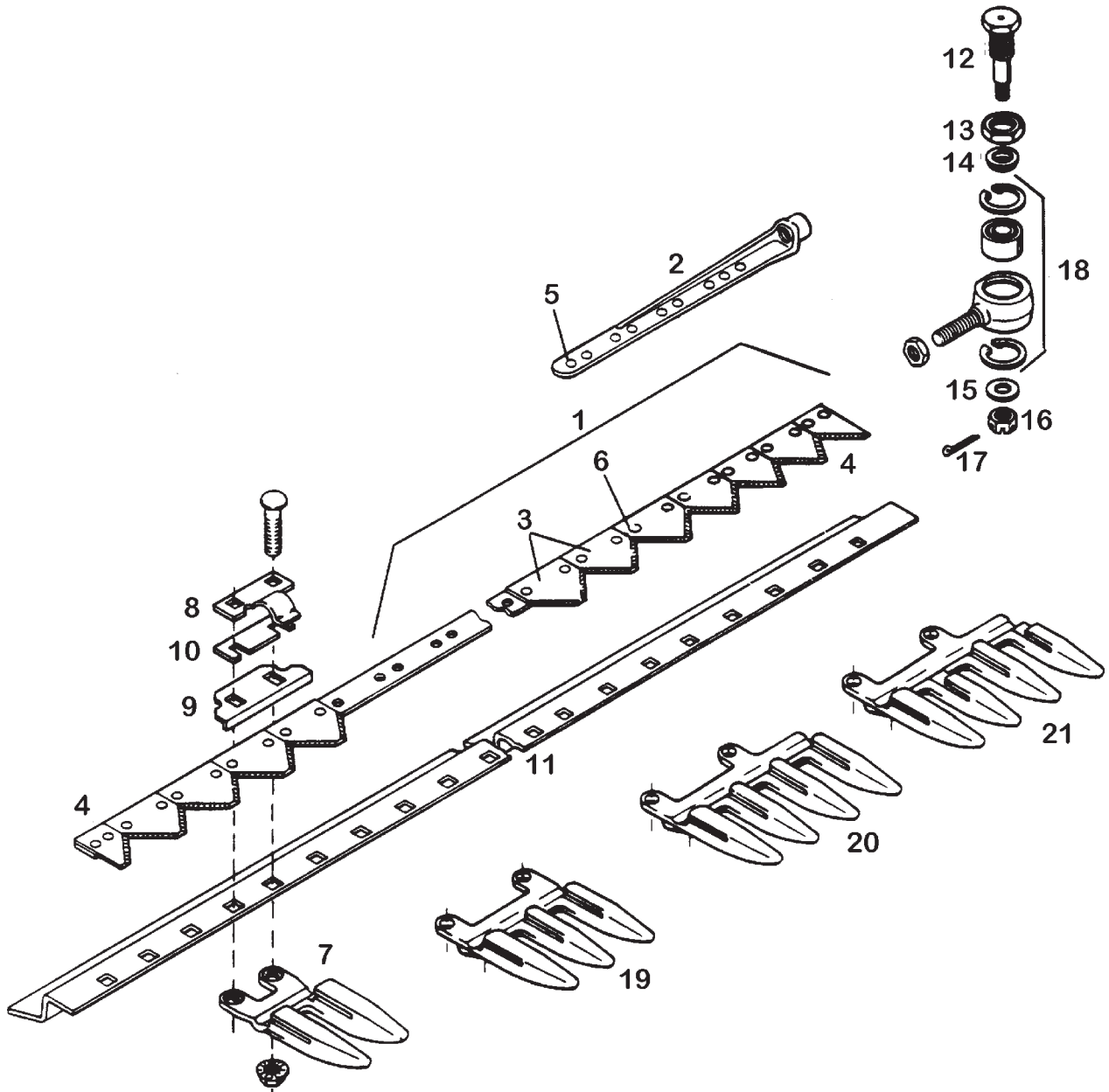
**SICKLES & GUARDS  
FLEX**

ITEM	NUMBER	QTY	DESCRIPTION
11	71148214	AR	SHIM
12	71357550	1	STRAP, HOLD-DOWN, REAR, CENTER, 1994MM (18, 20, 25 & 30')
	71361379	2	STRAP, HOLD-DOWN, RR, OUTER 2760MM (18')
	71357549	2	STRAP, HOLD-DOWN, RR, OUTER 3525MM (20')
	71361377	2	STRAP, HOLD-DOWN, RR, OUTER 2760MM (25')
	71366190	2	STRAP, HOLD-DOWN, RR, OUTER 3525MM (30')
	71335690	AR	CAPSCREW, TRUSS HEAD 5/16 X 3/4 (TORX)(THREAD FORMING)
	70931277	AR	NUT, FLANGED, 5/16NC
13	71391992	AR	STRAP, HOLD-DOWN, FRONT-OUTER 1490MM (1 REQ'D. CENTER 18')
	71391990	AR	STRAP, HOLD-DOWN, FRONT-OUTER 1948MM (2 REQ'D. FRONT ENDS 18')
	71391989	AR	STRAP, HOLD-DOWN, FRONT-OUTER 1870MM (2 REQ'D. FRONT ENDS 20')
	71391987	AR	STRAP, HOLD-DOWN, FRONT-OUTER 2254MM (1 REQ'D. CENTER 20') (2 REQ'D. OUTER 25')
	71391986	AR	STRAP, HOLD-DOWN, FRONT-OUTER 3015MM (1 REQ'D. CENTER 25'; 3 REQ'D. 30')
	71335689	AR	CAPSCREW, TRUSS HEAD 3/8-16 X 3/4 (TORX)(THREAD FORMING)
14	71365834	1	SHEET, FEATHER, CENTER, 1200MM (18' THRU 30')
15	71361447	4	SHEET, FEATHER, (18')
16	71365832	4	SHEET, FEATHER, (20')
17	71361444	4	SHEET, FEATHER, (25')
18	71366193	6	SHEET, FEATHER, (30')
19	71361508	1	CUTTER BAR (18')
	71360498	1	CUTTER BAR (20')
	71361510	1	CUTTER BAR (25')
	71366194	1	CUTTER BAR (30')
20	71335423	1	PIN, 1/2NC THRD.
21	71335424	1	NUT, JAM
22	71344240	1	HOUSING ASY., LONG SICKLE HEAD 3/4-16
	71391994	1	HOUSING ASY., LONG SICKLE HEAD 7/8-14 (INCL. BRG. & SNAP RINGS)
	71336974	1	BEARING
	70927699	2	RING, SNAP
	353436X1	1	NUT, JAM, 3/4-16
	70920439	1	NUT, JAM, 7/8-14
23	70931331	AR	BOLT, RHSN 5/16 X 1/2 (USED AT LAP JOINTS ON FEATHER SHEET)
	70917378	AR	WASHER, FLAT 3/8 USS
	70923362	AR	NUT, LOCK 5/16
24	71335425	1	SPACER
25	70923858	1	WASHER
26	70917422	1	NUT, SLOTTED, 1/2NC
27	70918452	1	PIN, COTTER, 1/8 X 1
28	71324872	1	GUARD, 3-POINT (AUSTRALIA)
29	71315500	6	GUARD, 4-POINT (AUSTRALIA)
30	71324871	4	GUARD, 4-POINT (AUSTRALIA)(W/2 CLIPPED TOP PRONGS)

GGH0072  
PR: 72

FH & RH GRAIN HEADERS  
CUTTER BAR

SICKLES & GUARDS  
RIGID



71376203

**FH & RH GRAIN HEADERS  
CUTTER BAR**

91

**SICKLES & GUARDS  
RIGID**

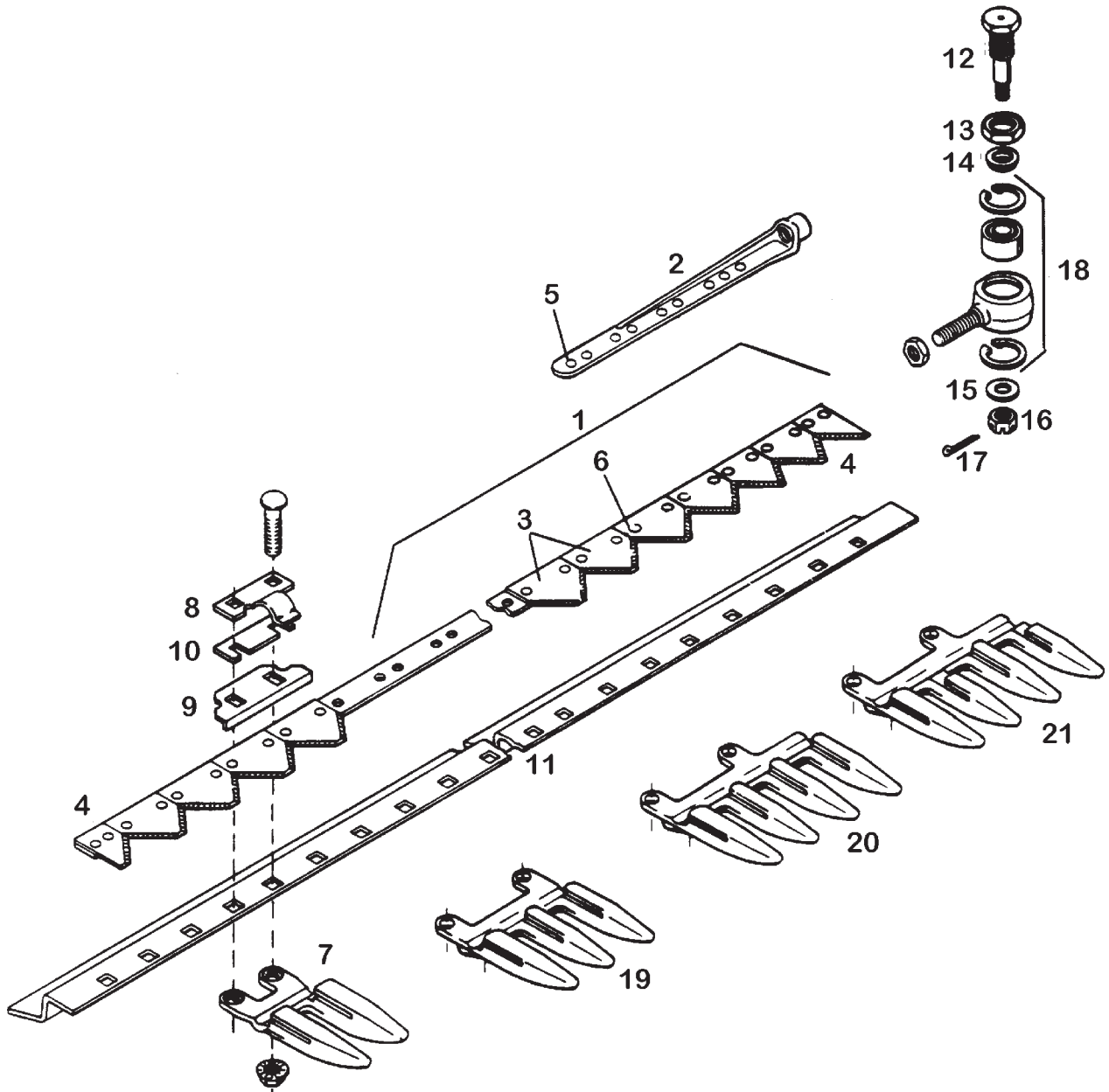
ITEM	NUMBER	QTY	DESCRIPTION
-	700722263	AR	SICKLE ASY., SPLIT (25') (INCL. ITEMS 1-6 & REINFORCEMENT BAR)
	71391979	1	BAR, REINFORCEMENT (NOT ILLUSTRATED)
-	71394180	AR	SICKLE ASY., W/HEAD (HEAVY DUTY) (25')
	71391979	1	BAR, REINFORCEMENT (NOT ILLUSTRATED)
-	71394190	AR	SICKLE ASY., W/OUT HEAD (25')
	71389144	1	KNIFE BACK (25') (NOT ILLUSTRATED)
-	700722260	AR	SICKLE ASY., SPLIT (30') (INCL. ITEMS 1-6 & REINFORCEMENT BAR)
	71391979	1	BAR, REINFORCEMENT (NOT ILLUSTRATED)
-	71394184	AR	SICKLE ASY., W/HEAD (30')
	71391979	1	BAR, REINFORCEMENT (NOT ILLUSTRATED)
-	71394194	AR	SICKLE ASY., W/OUT HEAD (30')
	71389142	1	KNIFE BACK (30') (NOT ILLUSTRATED)
1	700722270	1	HEAD END, SPLIT SICKLE (WITH HEAD)
	700722271	AR	CENTER, SPLIT SICKLE 1 REQ. FOR 25' 2 REQ. FOR 30'
	700722276	1	TAIL END, SPLIT SICKLE (25')
	700722273	1	TAIL END, SPLIT SICKLE (30')
-	71399776	AR	SPLICE KIT, SPLIT SICKLE (INCL. TOP, BOTTOM SPLICE & HARDWARE) 2 REQ. FOR 25' 3 REQ. FOR 30'
	71399777	1	SPLICE, BOTTOM, 2" 60 DEG. (NOT SHOWN)
	71399778	1	SPLICE, TOP, 2" 90 DEG. (NOT SHOWN)
	71399779	10	SCREW, SOCKET HD MACH
	71345596	10	NUT, LOCK M12-24
2	71391978	1	HEAD, SICKLE (7/8-14 W/10-RIVET)
3	71351135	AR	SECTION, SICKLE (HEAVY DUTY)(BLACK)
	71348175	AR	SECTION, SICKLE (HEAVY DUTY)(CHROME)
4	71351139	1	SECTION, BLANK (HALF)
	71389145	1	SECTION, BLANK
5	700705297	AR	BOLT, SICKLE HEAD #12-24 X 1
	373839X1	AR	NUT, CONE-LOCK
6	700705296	AR	BOLT, SECTION #12-24 X 5/8
	700715170	8	BOLT, SECTION #12-24 X 3/4
	373839X1	AR	NUT, CONE-LOCK #12

CONTINUED

71376203  
PR: 76

FH & RH GRAIN HEADERS  
CUTTER BAR

SICKLES & GUARDS  
RIGID



71376203

**FH & RH GRAIN HEADERS  
CUTTER BAR**

93

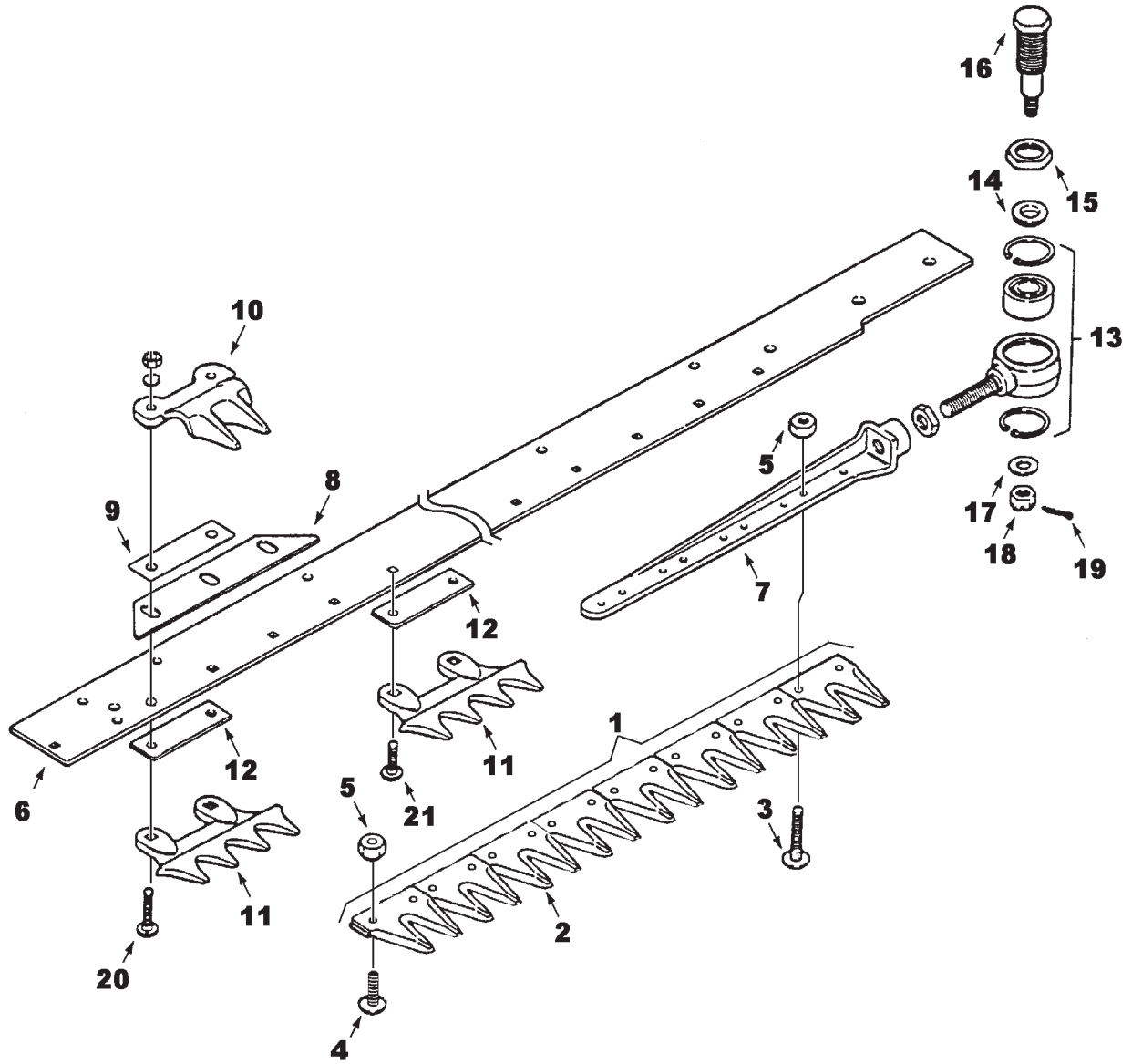
**SICKLES & GUARDS  
RIGID**

ITEM	NUMBER	QTY	DESCRIPTION	
7	71386962	AR	GUARD, SICKLE(DOUBLE HEAT TREATED)	
	70923220	AR	BOLT, RHSN, 3/8NC X 1-1/4	
	70922787	AR	BOLT, RHSN, 3/8NC X 1-1/2	
	70931211	AR	NUT, FLANGED, 3/8-16	
8	71346158	AR	CLIP, SICKLE	
9	71116532	AR	PLATE, WEAR	
10	71148214	AR	SHIM	
11	71366274	1	CUTTER BAR (25')	
	71324463	1	CUTTER BAR (30')	
	70923114	2	CAPSCREW, 1/2NC X 1	
	70931809	2	BOLT, 1/2NC X 1-1/4	
	70931187	4	NUT, FLANGED, 1/2NC	
	71335689	AR	SCREW, THRD. FORMING, 3/8 X 3/4 (TORX)	
	70931350	AR	BOLT, RHSN, 3/8NC X 1	
	70918266	AR	WASHER, 3/8	
	70931211	AR	NUT, FLANGED, 3/8NC	
	12	71335423	1	PIN, SICKLE DRIVE
	13	71335424	1	NUT, JAM
14	71335425	1	SPACER	
15	70923858	1	WASHER, 1/2	
16	70917422	1	NUT, SLOTTED, 1/2 20	
17	70918452	1	PIN, COTTER, 1/8 X 1	
18	71391994	1	HOUSING ASY., LONG SICKLE HEAD 7/8-14 (INCL. BRG. & SNAP RINGS)	
	71336974	1	BEARING	
	70927699	2	RING, SNAP	
	353436X1	1	NUT, JAM, 3/4-16	
	70920439	1	NUT, JAM, 7/8-14	
	19	71324872	1	GUARD, 3-POINT (AUSTRALIA)
	20	71315500	6	GUARD, 4-POINT (AUSTRALIA)
21	71324871	4	GUARD, 4-POINT (AUSTRALIA)(W/2 CLIPPED)	

71376203  
PR: 76

FH & RH GRAIN HEADERS  
CUTTER BAR

SICKLES & GUARDS  
NARROW SPACED  
CLEAN CUT  
FLEX





**FH & RH GRAIN HEADERS  
CUTTER BAR**

95

**SICKLES & GUARDS  
NARROW SPACED  
CLEAN CUT  
FLEX**

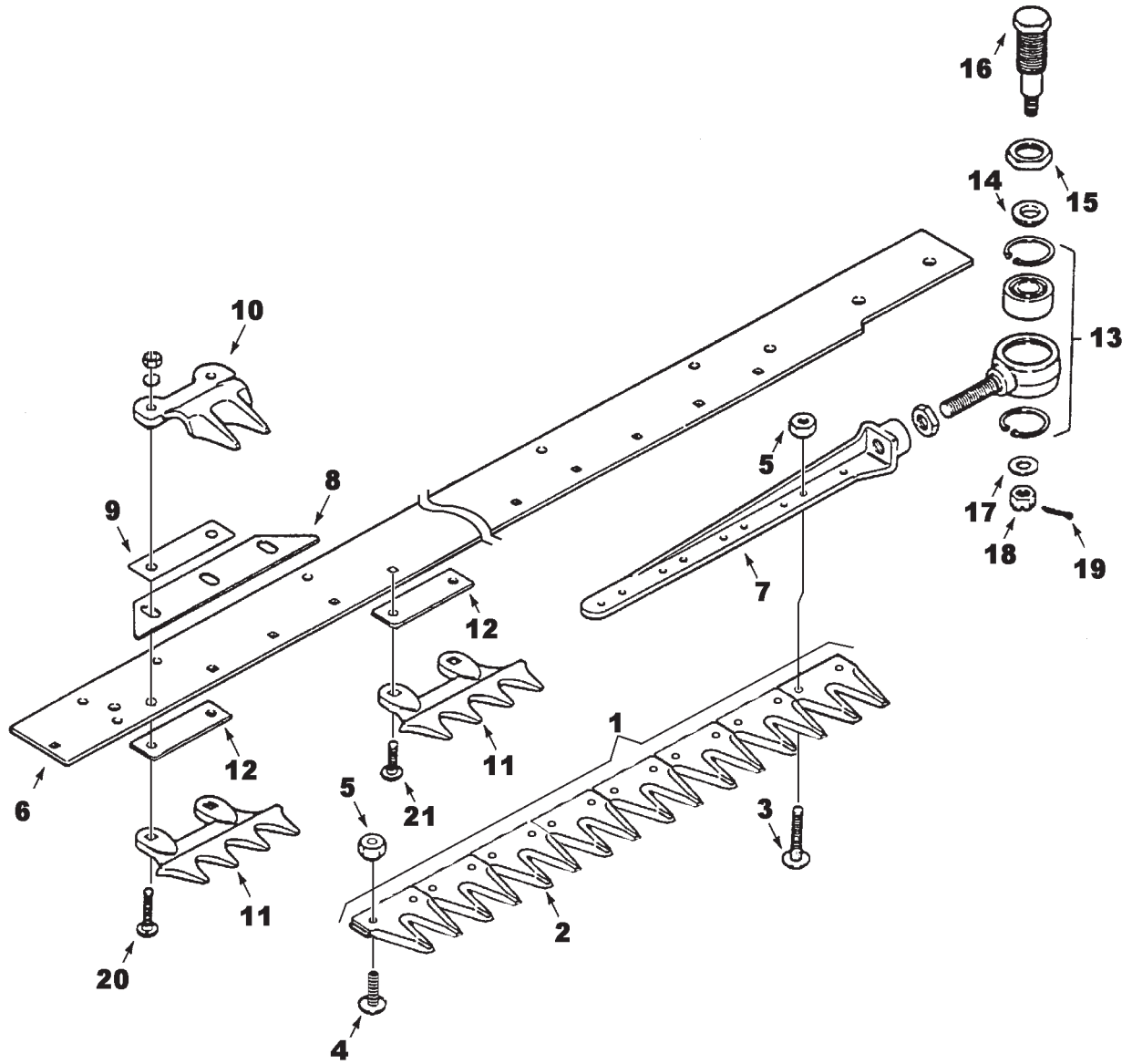
ITEM	NUMBER	QTY	DESCRIPTION
-	71371593	AR	SICKLE ASY. WITH 3/4-16 HEAD (18') (INCL. ITEMS 2 - 5 AND 7)
-	71348218	AR	SICKLE ASY. W/OUT HEAD (18') (INCL. ITEMS 2 - 5)
-	700722258	AR	SICKLE ASY. SPLIT, (20')(INCLUDE ITEMS 1-5, 7 & REINFORCEMENT BAR)
	71391979	1	BAR, REINFORCEMENT (NOT ILLUSTRATED)
-	71394176	AR	SICKLE ASY., W/HEAD (HEAVY DUTY) (20')
	71391979	1	BAR, REINFORCEMENT (NOT ILLUSTRATED)
-	71394186	AR	SICKLE ASY., W/OUT HEAD (NARROW) (20')
-	700722259	AR	SICKLE ASY. SPLIT, (25') (INCLUDE ITEMS 1-5, 7 & REINFORCEMENT BAR)
	71391979	1	BAR, REINFORCEMENT (NOT ILLUSTRATED)
-	71394179	AR	SICKLE ASY., W/HEAD (HEAVY DUTY) (25')
	71391979	1	BAR, REINFORCEMENT (NOT ILLUSTRATED)
-	71394189	AR	SICKLE ASY., W/OUT HEAD (NARROW) (25')
-	700722257	AR	SICKLE ASY. SPLIT, (30') (INCLUDE ITEMS 1-5, 7 & REINFORCEMENT BAR)
	71391979	1	BAR, REINFORCEMENT (NOT ILLUSTRATED)
-	71394183	AR	SICKLE ASY., W/HEAD (HEAVY DUTY) (30')
	71391979	1	BAR, REINFORCEMENT (NOT ILLUSTRATED)
-	71394193	AR	SICKLE ASY., W/OUT HEAD (NARROW) (30')
1	700722265	1	HEAD END, SPLIT SICKLE (WITH HEAD)
	700722266	AR	CENTER, SPLIT SICKLE 1 REQ. FOR 20', 25' 2 REQ. FOR 30'
	700722268	1	TAIL END, SPLIT SICKLE (20')
	700722269	1	TAIL END, SPLIT SICKLE (25')
	700722267	1	TAIL END, SPLIT SICKLE (30')
-	71399776	AR	SPLICE KIT, SPLIT SICKLE (INCL. TOP, BOTTOM SPLICE & HARDWARE) 2 REQ. FOR 20', 25' 3 REQ. FOR 30'
	71399777	1	SPLICE, BOTTOM, 2" 60 DEG. (NOT SHOWN)
	71399778	1	SPLICE, TOP, 2" 90 DEG. (NOT SHOWN)
	71399779	10	SCREW, SOCKET HD MACH SCREW
	71345596	10	NUT, LOCK M12-24
2	71353125	AR	SECTION, SICKLE
3	700705297	AR	BOLT, SICKLE HEAD #12-24 X 1
4	700705296	AR	BOLT, SECTION #12-24 X 5/8
	71399781	AR	BOLT, SECTION #12-24 X 3/4
5	373839X1	AR	NUT, CONE-LOCK #12

CONTINUED

GGH0081  
PR: 80

FH & RH GRAIN HEADERS  
CUTTER BAR

SICKLES & GUARDS  
NARROW SPACED  
CLEAN CUT  
FLEX



**FH & RH GRAIN HEADERS  
CUTTER BAR**

97

**SICKLES & GUARDS  
NARROW SPACED  
CLEAN CUT  
FLEX**

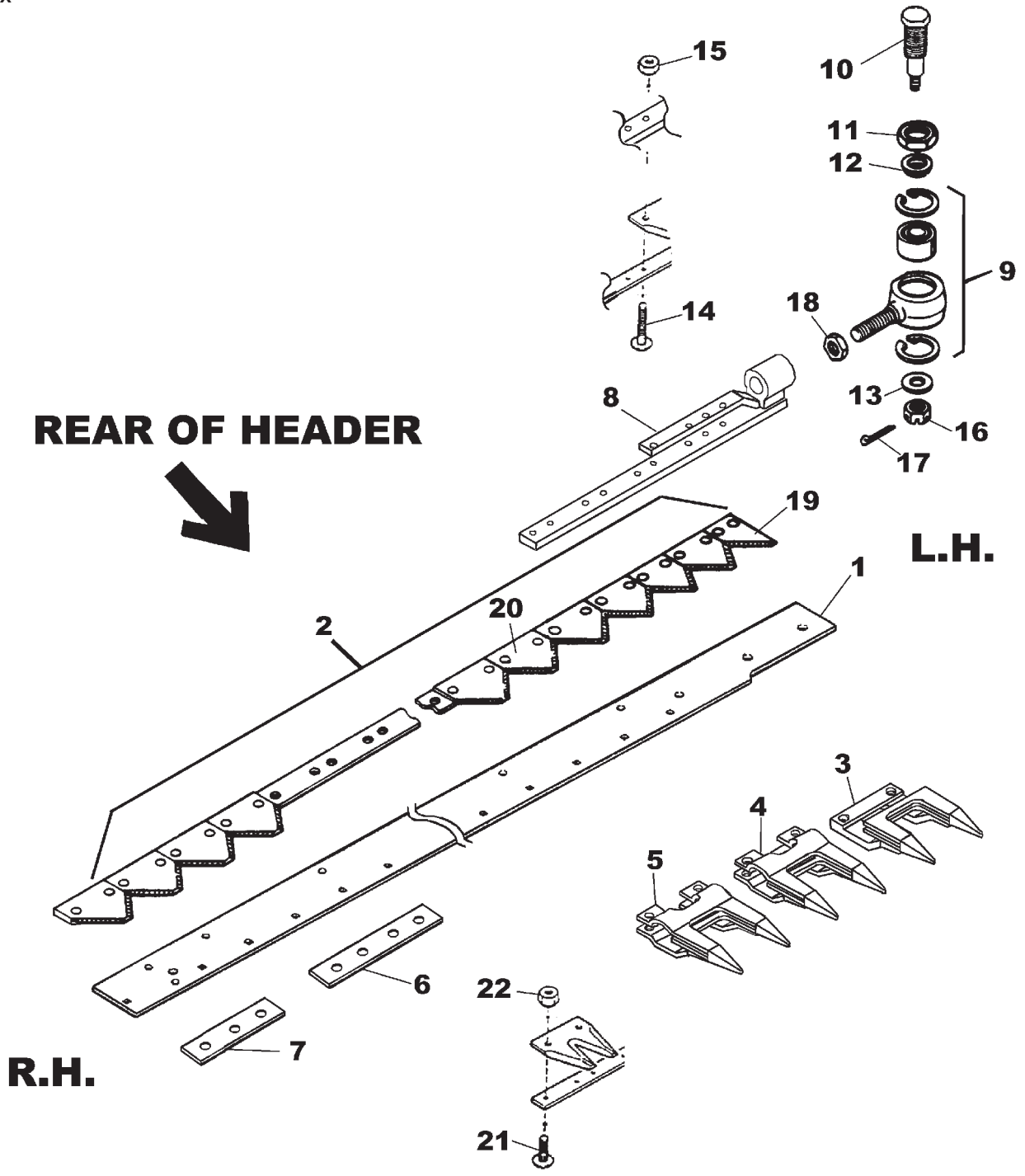
ITEM	NUMBER	QTY	DESCRIPTION	
6	71361508	1	BAR, CUTTER (18')	
	71360498	1	BAR, CUTTER (20')	
	71361510	1	BAR, CUTTER (25')	
	71366194	1	BAR, CUTTER (30')	
7	71347775	1	HEAD, SICKLE 3/4-16	
	71391999	1	HEAD, SICKLE 7/8-14	
	71391978	1	HEAD, SICKLE 7/8-14 (SPLIT SICKLE)	
8	71116532	AR	PLATE, WEAR	
9	71148214	AR	SHIM	
10	71345591	AR	CLIP, KNIFE	
11	71370575	AR	GUARD, NARROW SPACED	
12	71345599	AR	SPACER, GUARD (2-HOLE)	
	71346159	AR	SPACER, GUARD (3-HOLE)	
13	71344240	1	HOUSING ASY., LONG SICKLE HEAD 3/4-16	
	71391994	1	HOUSING ASY., LONG SICKLE HEAD 7/8-14 (INCL. BRG. & SNAP RINGS)	
	71336974	1	BEARING	
	70927699	2	RING, SNAP	
	353436X1	1	NUT, JAM, 3/4-16	
	70920439	1	NUT, JAM, 7/8-14	
	14	71335425	1	SPACER, SICKLE DRIVE PIN
	15	71335424	1	NUT, JAM, SICKLE DRIVE PIN 1-1/8 - 12
	16	71335423	1	PIN, SICKLE DRIVE
	17	70923858	1	WASHER, 17/32 X 1-1/4 X 7GA
18	70917422	1	NUT, SLOTTED, 1/2	
19	70918452	1	PIN, COTTER, 1/8 X 1	
20	70922869	AR	BOLT, RHSN, 3/8 X 1 3/4	
	70916965	AR	LOCKWASHER, 3/8	
	70916950	AR	NUT, 3/8NC	
	21	70923220	AR	BOLT, RHSN 3/8 X 1 1/4
21	70916965	AR	LOCKWASHER, 3/8	
	70916950	AR	NUT, 3/8NC	
-	71530144	AR	*PKG SICKLE & GUARD (18' & 20') (CONVERT STD. TO CLEAN CUT SICKLE)	
-	71530145	AR	*PKG, SICKLE & GUARD (25') (CONVERT STD. TO CLEAN CUT SICKLE)	
-	71530146	AR	*PKG, SICKLE & GUARD (30') (CONVERT STD. TO CLEAN CUT SICKLE)	

\*(ORDER THRU DEALER CENTRAL)

GGH0081  
PR: 80

FH & RH GRAIN HEADERS  
CUTTER BAR

SICKLES & GUARDS  
SCHUMACHER  
20/25/30 FEET  
FLEX



GGH0054

**FH & RH GRAIN HEADERS  
CUTTER BAR**

99

**SICKLES & GUARDS  
SCHUMACHER  
20/25/30 FEET  
FLEX**

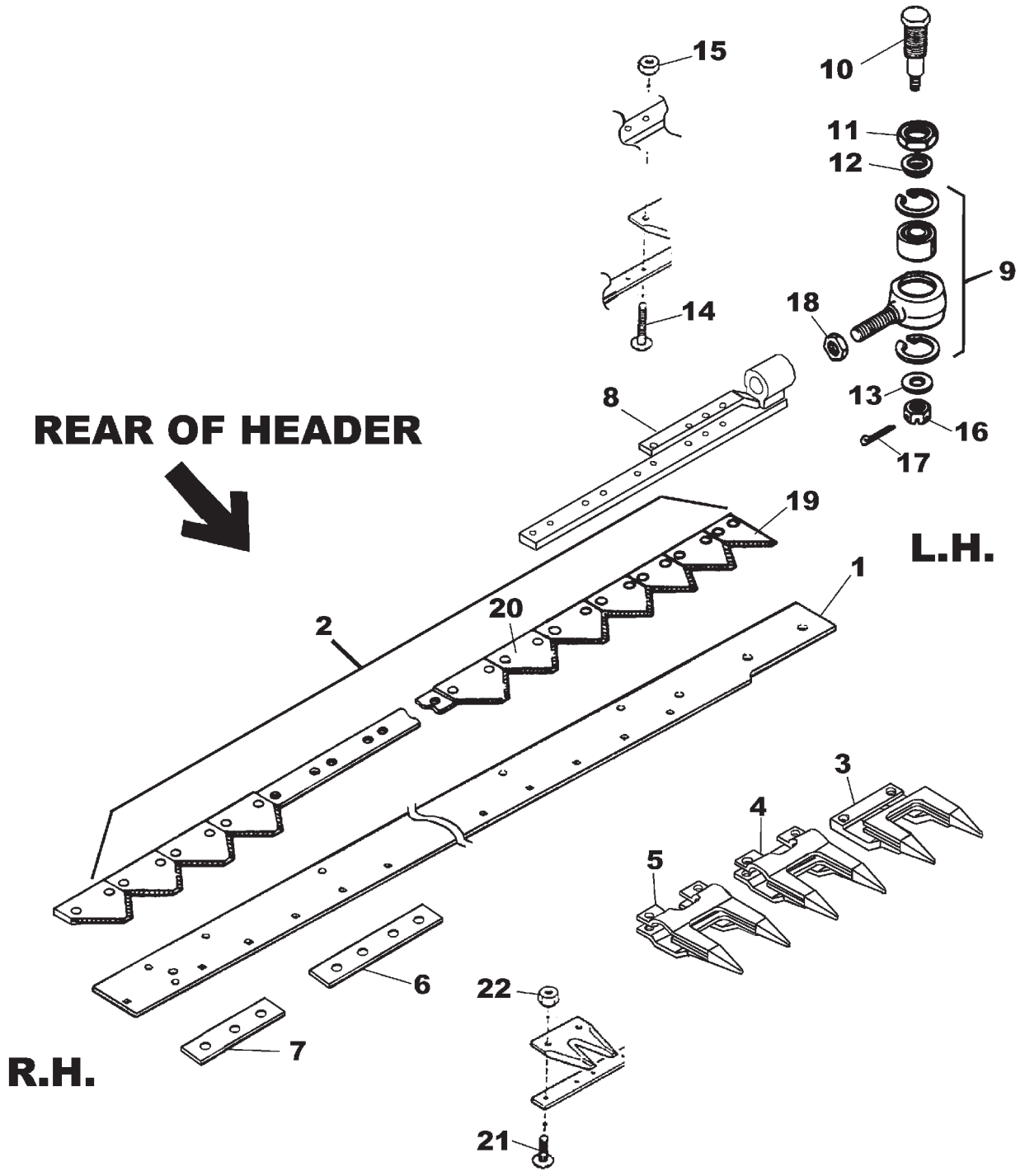
ITEM	NUMBER	QTY	DESCRIPTION
1	71360498	1	BAR, CUTTER (20-FT.)
	71361510	1	BAR, CUTTER (25-FT.)
	71366194	1	BAR, CUTTER (30-FT.)
2	71394178	1	SICKLE ASY., W/7/8-14 HEAD (20') (INCL. ITEMS 8,14,15,19,20,21,22 & LH-MIDDLE-RH KNIFEBACKS & SPLICEBAR)
	71386919	1	KNIFEBACK (LH-END)
	71386920	1	KNIFEBACK (MIDDLE)
	71386921	1	KNIFEBACK (RH-END)
	71386922	2	*SPLICEBAR W/INSERTS
	71392173	AR	*INSERT, BRASS
	71386951	16	*BOLT, 6M x 18
	71394181	1	SICKLE ASY., W/7/8-14 HEAD (25') (INCL. ITEMS 8,14,15,19,20,21,22 & LH-MIDDLE-RH KNIFEBACKS & SPLICEBAR)
	71386919	1	KNIFEBACK (LH-END)
	71386920	2	KNIFEBACK (MIDDLE)
	71386954	1	KNIFEBACK (RH-END)
	71386922	3	*SPLICEBAR W/INSERTS
	71392173	AR	*INSERT, BRASS
	71386951	24	*BOLT, 6M x 18
	71394185	1	SICKLE ASY., W/7/8-14 HEAD (30') (INCL. ITEMS 8,14,15,19,20,21,22 & LH-MIDDLE-RH KNIFEBACKS & SPLICEBAR)
	71386919	1	KNIFEBACK (LH-END)
	71386920	2	KNIFEBACK (MIDDLE)
	71386921	1	KNIFEBACK (RH-END)
	71386922	3	*SPLICEBAR W/INSERTS
	71392173	AR	*INSERT, BRASS
	71386951	24	*BOLT, 6M x 18
3	71386905	1	GUARD (LH-END)(20 THRU 30FT.)
	70920415	AR	CAPSCREW, 3/8-16 X 1-1/4 (GR. 5)
	70931211	AR	NUT, FLANGED, 3/8-16

CONTINUED

GGH0054  
PR: 84

FH & RH GRAIN HEADERS  
CUTTER BAR

SICKLES & GUARDS  
SCHUMACHER  
20/25/30 FEET



**FH & RH GRAIN HEADERS  
CUTTER BAR**

101

**SICKLES & GUARDS  
SCHUMACHER  
20/25/30 FEET**

ITEM	NUMBER	QTY	DESCRIPTION
4	71386906	AR	GUARD (STANDARD)(QTY./ 20FT.=37,25FT.=45 & 30FT.=57)
	70920415	AR	CAPSCREW, 3/8-16 X 1-1/4 (GR. 5)
	70931211	AR	NUT, FLANGED, 3/8-16
5	71386907	AR	GUARD (W/BOTTOM CUTOUT)(QTY./ 20FT.=2, 25FT.=4 & 30FT.=2)
	70920415	AR	CAPSCREW, 3/8-16 X 1-1/4 (GR. 5)
	70931211	AR	NUT, FLANGED, 3/8-16
6	71386908	AR	SPACER, GUARD (4-HOLE)(Qty./ 20ft.=12, 25FT.=11 & 30FT.=16)
7	71386909	AR	SPACER, GUARD (3-HOLE)(Qty./ 20ft.=10, 25FT.=18 & 30FT.=18)
8	71394217	1	HEAD, SICKLE 7/8-14 W/INSERTS
	71392175	AR	INSERT, BRASS
9	71391994	1	HOUSING ASY., LONG SICKLE HEAD 7/8-14 (INCL. BRG. & SNAP RINGS)
	71336974	1	BEARING
	70927699	2	RING, SNAP
10	71335423	1	PIN, SICKLE DRIVE
11	71335424	1	NUT, JAM, SICKLE DRIVE PIN 1-1/8-12
12	71335425	1	SPACER, SICKLE DRIVE PIN
13	70923858	1	WASHER, 17/32 X 1-1/4 X 7GA
14	71386925	4	BOLT, 6M X 28 (HEAD-SICKLE)
	71386951	5	BOLT, 6M X 18 (HEAD-SICKLE)
15	71386953	9	NUT, LOCK, 6M
16	70917422	1	NUT, SLOTTED, 1/2
17	70918452	1	PIN, COTTER, 1/8 X 1
18	70920439	1	NUT, JAM, 7/8-14
19	71386923	1	SECTION (HALF)
20	71386924	AR	SECTION (SICKLE)(QTY./20FT.=80,25FT.=100 & 30FT.=120)
21	71386952	AR	BOLT, SECTION, 6M X 16
22	71386953	AR	NUT, LOCK, 6M
-	71392174	AR	KIT, SPLICEBAR (INCL. * ITEMS)

GGH0054  
PR: 84





**FH & RH GRAIN HEADERS  
CUTTER BAR**

**103**

**GUARD & SPACER LOCATION  
SCHUMACHER  
20/25/30 FEET  
FLEX**

ITEM	NUMBER	QTY	DESCRIPTION
------	--------	-----	-------------

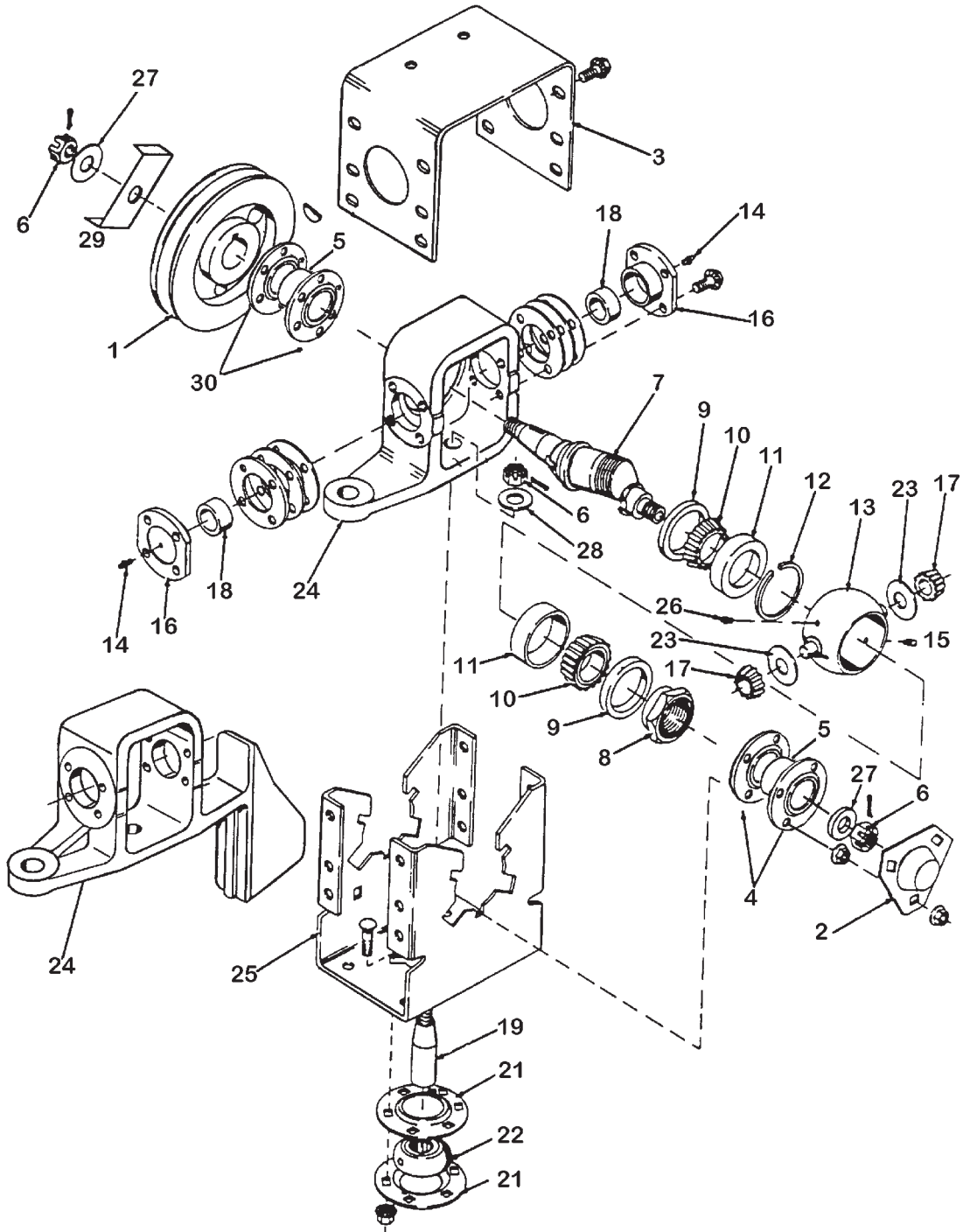
**NOTE:**

THIS PAGE IS FOR REFERENCE WHEN  
SERVICE IS REQUIRED FOR CUTTER BAR.  
(REVIEW PREVIOUS ILLUSTRATION AND  
ITEM #'S FOR SCHUMACHER SICKLES &  
GUARDS 20 THRU 30 FEET.)

71386912  
PR: 88

FH & RH GRAIN HEADERS  
CUTTER BAR

WOBBLE BOX  
RIGID & FLEX



71320945

**FH & RH GRAIN HEADERS  
CUTTER BAR**

105

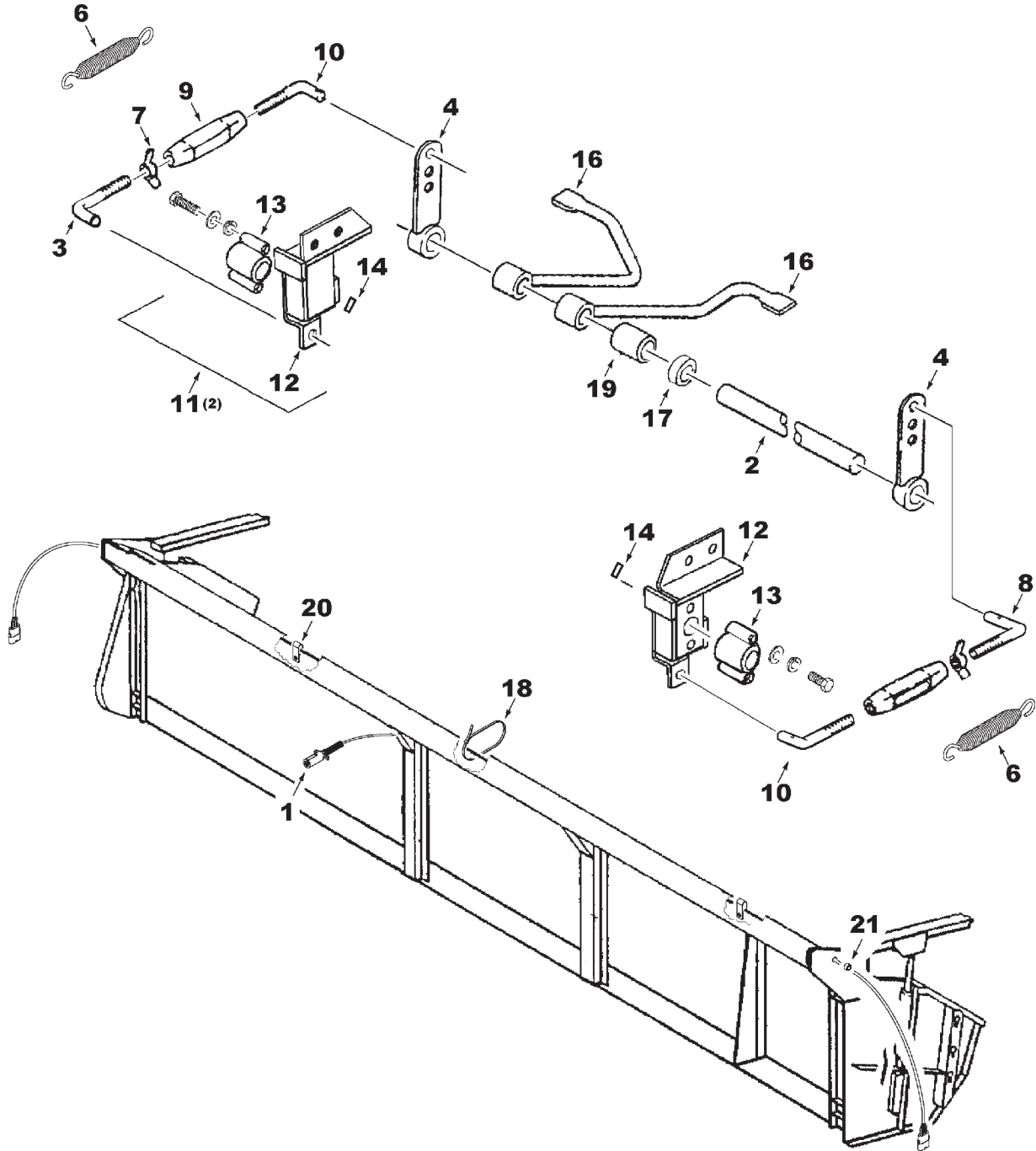
**WOBBLE BOX  
RIGID & FLEX**

ITEM	NUMBER	QTY	DESCRIPTION
-	71389337	AR	WOBBLE BOX ASY. COUNTER WEIGHTED (25'-30' RIGID HEADERS)
-	71344225	AR	WOBBLE BOX ASY. (ALL FLEX HEADERS) (DOES NOT INCLUDE ITEMS 1 & 27)
1	71320934	1	SHEAVE, 1-GROOVE, 9-27/32" O.D.
	29780X	1	KEY, WOODRUFF, NO. 15
2	71320929	1	SHIELD, CRANKSHAFT, NUT
	70931211	3	NUT, FLANGED, 3/8-16
3	71353693	1	COVER
	368270X1	6	CAPSCREW, 3/8NC X 1-1/4 (GR. 5)
	70931211	6	NUT, FLANGED, 3/8-16
4	71370130	2	FLANGE, BEARING 72MM SPHERICAL DIAM (3- BOLT)(W/NOTCH FOR LUBE FITTING)
	70923220	3	BOLT, 3/8NC X 1-1/4
	70931211	6	NUT, FLANGED, 3/8-16
5	71333775	2	BEARING
6	70934976	3	NUT, JAM, 3/4NC
	70918454	3	PIN, COTTER, 1/8 X 1-1/2
7	71338588	1	CRANKSHAFT, WOBBLE BOX
8	71325325	1	NUT, LOCK, BEARING ADJ.
9	71307586	2	SEAL
10	833095M1	2	CONE, BEARING
11	833094M1	2	CUP, BEARING
12	71314218	1	SPACER, BEARING CUP
13	71315489	1	RING, TRUNNION
14	70922887	2	FITTING, LUBE
15	70915276	1	FITTING, LUBE
16	71317411	2	HOUSING, PIVOT BEARING
	7772049	8	CAPSCREW, FLANGED, 5/16NC X 1 (GR.5)
	71312130	AR	SHIM (.010)
	71312131	AR	SHIM (.005)
	71312132	AR	SHIM (.002)
17	70225608	2	CONE, BEARING
18	70241380	2	CUP, BEARING
19	71349959	1	PIN, PIVOT
20	70931942	1	NUT, PUSHON (NOT SHOWN)
21	71369864	2	FLANGE, BEARING, (RELUBE)(6-BOLT)
	70931350	3	BOLT, 3/8NC X 1
	70931211	3	NUT, FLANGED, 3/8-16
22	71349955	1	BEARING ASY. (INCL. PLUG, BRG., SEAL, & FITTING)
	71349954	1	PLUG, CAP
	832909M1	1	BEARING
	70934820	1	SEAL, OIL
	70915019	1	FITTING, LUBE
	70918264	1	WASHER SAE 1/4
23	71312133	2	SHIELD, BEARING, TRUNNION
24	71335420	1	FRAME, TRUNNION, (W/O COUNTER WEIGHT)
	71368918	1	FRAME, TRUNNION, (COUNTER WEIGHTED)
25	71385140	1	HOUSING, WOBBLE BOX
26	70916619	1	FITTING, PRESS, RELIEF
27	70927901	1	WASHER, 1-3/4" O.D X .781" I.D. X 7 GA.
28	70918269	1	WASHER, 1-1/2" O.D. X 3/4" I.D.
29	71362414	1	FAN
30	71370634	2	FLANGE, BEARING, 72MM SPHERICAL DIAM (6-BOLT)
	70931350	6	BOLT, RHSSN, 3/8-16 X 1
	70931211	6	NUT, FLANGED, 3/8-16

71320945  
PR: 90

FH & RH GRAIN HEADERS  
CUTTER BAR

HEADER HEIGHT & LATERAL TILT  
CONTROLS  
FLEX (8000)



**FH & RH GRAIN HEADERS  
CUTTER BAR**

107

**HEADER HEIGHT & LATERAL TILT  
CONTROLS  
FLEX (8000)**

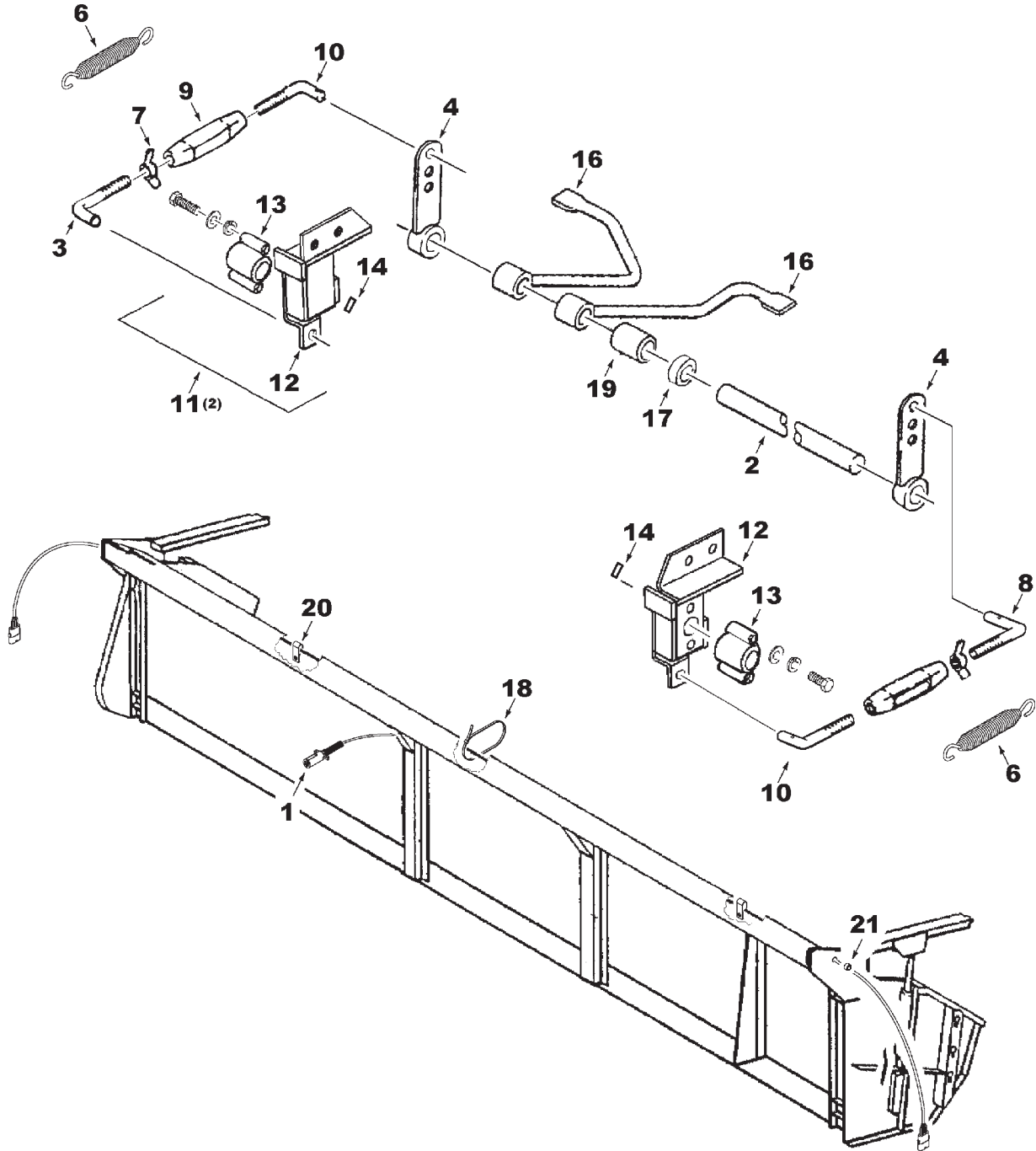
ITEM	NUMBER	QTY	DESCRIPTION
-	71397293	AR	*KIT, ELECTRICAL ADAPTER (FOR 2003 & LATER HEADS ON 2002 & PRI. COMBINES)
-	71396964	AR	*KIT, ELECTRICAL ADAPTER (2002 & PRI. HEADS ON 2003 & LATER COMBINES)
1	71390302	1	HARNES, HEADER MAIN WIRING (COMPLETE)
	700706922	AR	CAP, ELECTRICAL PLUG
	71397680	AR	CONNECTOR PLUG, 13 PIN
	71397722	AR	TERMINAL
	700709175	AR	CONNECTOR
	700706401	AR	TERMINAL
	504738M1	AR	CONNECTOR
	700718579	AR	CONNECTOR
	700708760	AR	TERMINAL
	700706400	AR	SEAL
2	71377156	2	SHAFT, ROCK (18')
	71376607	2	SHAFT, ROCK (20')
	71377158	2	SHAFT, ROCK (25')
	71389130	2	SHAFT, ROCK (30')
3	71374260	1	ROD, LINKAGE, LH
	70918265	1	WASHER, 5/16
	70925292	1	CLIP, HAIRPIN
4	71376178	2	LEVER ASY.
	70923326	4	SETSCREW, 3/8NC X 1
	70917421	4	NUT, JAM, 3/8NC
6	71172928	2	SPRING
7	70918468	2	NUT, WING
8	71172355	1	ROD, LH THREAD
9	70923041	2	TURNBUCKLE
10	71368515	2	ROD, LINKAGE, RH
	70918265	1	WASHER, 5/16
	70925292	1	CLIP, HAIRPIN
11	-----	2	SWITCH ASY. WITH BRACKET (INCL. ITEMS 12, 13 & 14)
	70926917	2	CLAMP
	70928681	2	BOLT, RHSN, 5/16 X 1-1/4
	70917356	4	WASHER, LOCK, 5/16
	70917372	6	NUT, 5/16
	70933988	4	NUT, PUSH ON, 5/16
	70931333	2	BOLT, RHSN, 5/16 X 3/4
	71387662	1	SHIELD, SWITCH ASY.(RH)(NOT ILLUSTRATED)

CONTINUED

GGH0066  
PR: 92

FH & RH GRAIN HEADERS  
CUTTER BAR

HEADER HEIGHT & LATERAL TILT  
CONTROLS  
FLEX (8000)



**FH & RH GRAIN HEADERS  
CUTTER BAR**

**109**

**HEADER HEIGHT & LATERAL TILT  
CONTROLS  
FLEX (8000)**

ITEM	NUMBER	QTY	DESCRIPTION
12	71390628	2	BRACKET, SWITCH WLMT
	70919313	2	PIN, COTTER
	70918265	2	WASHER, 5/16
13	71376825	2	POTENTIOMETER (5K)
	70918151	4	SCREW, #10 - 32 X 1-1/4
14	71382607	1	TAB
15	71350360	1	DECAL, DANGER (NOT ILLUSTRATED)
16	71340645	1	SENSOR ASY., RH
	71340335	AR	SENSOR ASY., LH
	70920469	AR	SETSCREW, 3/8NC X 3/4
	70917421	AR	NUT, JAM 3/8NC
17	71343540	2	COLLAR, SHAFT
	70921263	2	SETSCREW, 5/16-18 X 3/8
18	70925094	AR	TIE, PLASTIC
19	71374448	2	SPACER
20	70926917	2	CLAMP, WIRING HARNESS
	70931348	1	BOLT, RHSN 3/8 X 3/4
	70921965	1	CAPSCREW, 3/8 X 3/4
	70931211	2	NUT, SER. FLG. 3/8 - 16
21	70937658	2	GROMMET, RUBBER

\*NOTE: REFERENCE HARNESS ADAPTER PAGE  
FOR SERVICE PARTS BREAKDOWN.

GGH0066  
PR: 92





**FH & RH GRAIN HEADERS  
HYDRAULICS**

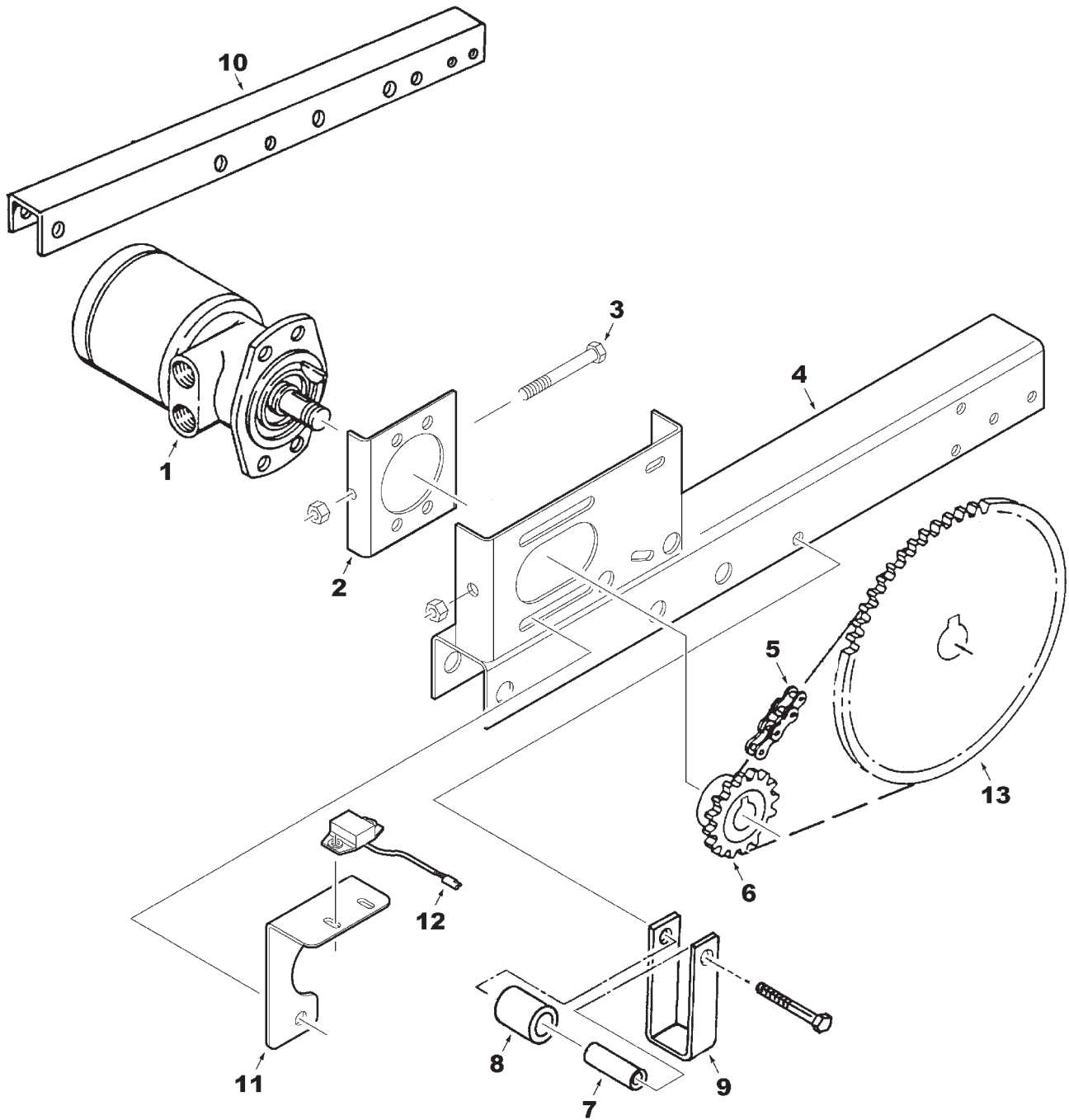
111

**REEL LIFT  
LINES & FITTINGS  
FLEX & RIGID**

ITEM	NUMBER	QTY	DESCRIPTION
1	71353766	1	CYLINDER ASY., MASTER, RH
2	71354497	1	PIN, CYLINDER, RH LOWER (LONG)
	70918454	1	PIN, COTTER
3	71353767	1	CYLINDER ASY., SLAVE, LH
4	71376019	1	TUBE ASY., STRAIGHT
6	70922571	3	FITTING, ELBOW, 90 DEG.
7	71369199	3	HOSE ASY.
9	71328361	1	COUPLER ASY., MALE
	70923550	AR	WASHER, .56 X 1.0 X 12 GA.
10	71328365	1	CAP, DUST, FEMALE
11	70928917	3	FITTING, ELBOW, 90 DEG.
13	70925097	2	CLAMP, LH SIDE
14	71376020	1	TUBE ASY., SUPPLY, INNER
15	70919214	3	FITTING, UNION, 1/4
16	71375531	1	TUBE ASY., SUPPLY, RH (18')
	71375530	1	TUBE ASY., SUPPLY, RH (20')
	71375528	1	TUBE ASY., SUPPLY, RH (25')
	71375526	1	TUBE ASY., SUPPLY, RH (30')
17	71375539	2	TUBE ASY., CROSSOVER (18')
	71375538	2	TUBE ASY., CROSSOVER (20')
	71375536	2	TUBE ASY., CROSSOVER (25')
	71375534	2	TUBE ASY., CROSSOVER (30')
18	71312257	AR	CLIP, DOUBLE (AS REQ'D)
	70931333	AR	BOLT, CAGE, 5/16 X 3/4
	70931277	AR	NUT, WHIZLOCK, 5/16 - 16
19	71312256	AR	CLIP, SINGLE
	70931333	AR	BOLT, CAGE, 5/16 X 3/4
	70931277	AR	NUT, WHIZLOCK, 5/16 - 16
20	71361274	4	PIN, SHORT
	70918454	4	PIN, COTTER, 1/8 X 1-1/2
21	70919546	1	ELBOW, 90 DEG. (1/4NPT TO 1/4 TUBE)
22	70936472	2	CLAMP, DOUBLE, RH SIDE
23	71358870	2	STOP ASY., CYLINDER
24	71354693	2	LATCH, RAM STOP
	70920990	2	CAPSCREW, 1/2 X 3-1/2
	70931187	2	NUT, SER. FLG., 1/2
	70922134	2	NUT, LOCK, 1/2
25	71353111	2	RETAINER, SPRING

GGH0015  
PR: 94

HYDRO REEL DRIVE  
MOTOR  
FLEX & RIGID



**FH & RH GRAIN HEADERS  
HYDRAULICS**

113

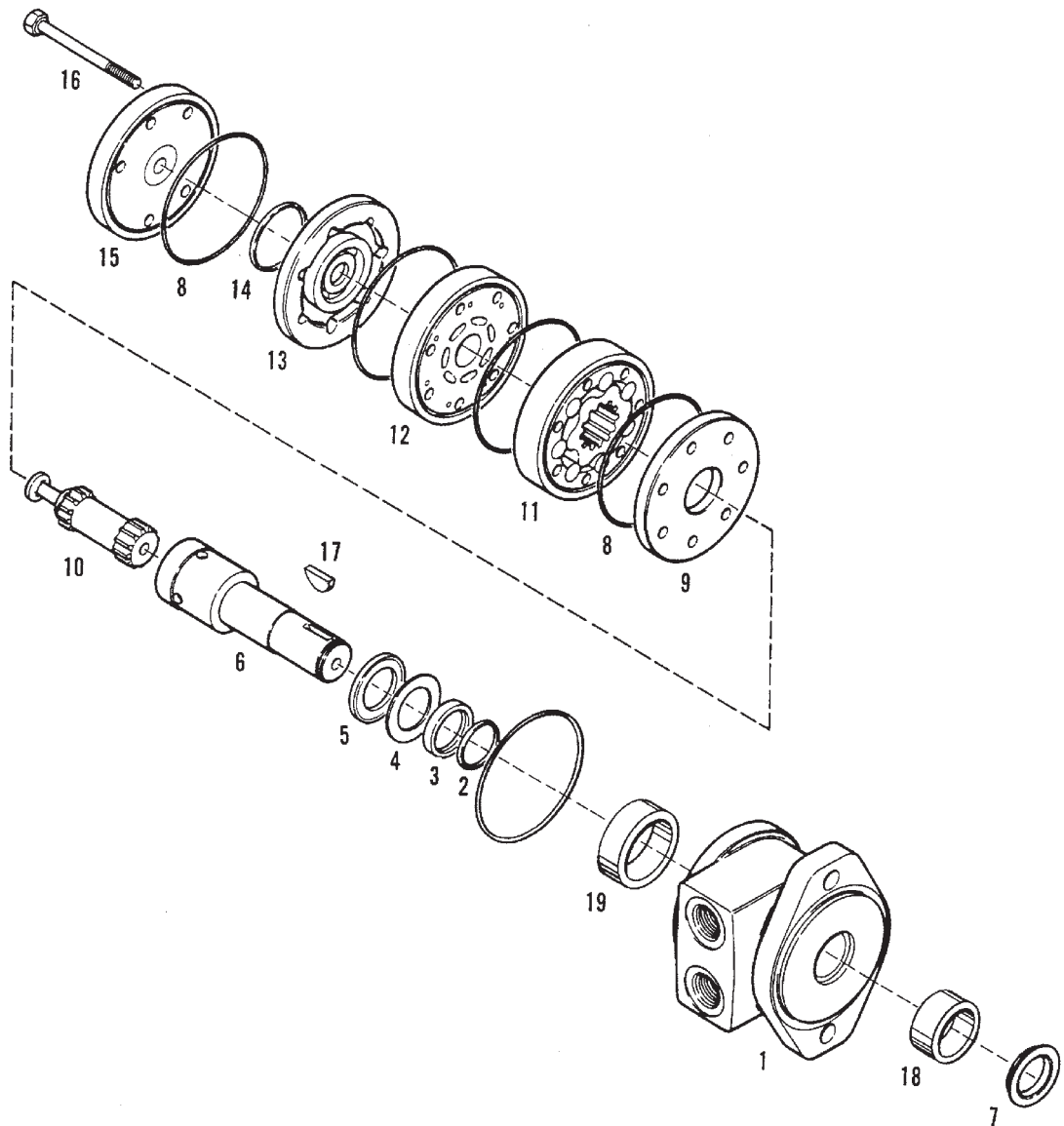
**HYDRO REEL DRIVE  
MOTOR  
FLEX & RIGID**

ITEM	NUMBER	QTY	DESCRIPTION	
1	71396274	1	MOTOR, HYDRO REEL (WHITE HYDRAULICS)	
	71398130	AR	KIT, SEAL (WHITE HYDS MOTOR) (INCL. ITEMS BELOW:)	
	-----	--	SEAL, DUST	
	-----	--	RING, SPLIT WIRE	
	-----	--	SHIM, METAL BACK-UP	
	-----	--	SEAL, HIGH PRESSURE	
	-----	--	SHIM, METAL BACK-UP	
	-----	--	SHIM, TEFLON BACKUP	
	-----	--	SEAL, SHAFT	
	-----	--	SEAL BODY	
	-----	--	CARRIER, SEAL	
	-----	--	WASHER, THRUST	
	71359559	1	MOTOR, HYDRO REEL (EATON OR PARKER/ROSS)	
	70919089	2	CAPSCREW, 1/2NC X 1-3/4	
70931187	2	NUT, FLANGED, 1/2NC		
70905126	1	KEY, WOODRUFF, NO. 15		
2	71304625	1	BRACKET, REEL MOTOR ADJUSTMENT	
3	70931643	1	BOLT, 3/8NC X 3	
	70931211	2	NUT, 3/8NC	
4	71373659	1	SUPPORT ASY., REEL MOTOR	
	70922918	3	CAPSCREW, 3/8 X 3-1/4	
	Y704635	1	NUT, LOCK 3/8	
	70931211	2	NUT, 3/8	
5	71149472	1	CHAIN ASY., #2050 (73 LINKS) REMOVE 2 LINKS FOR RIGID)	
	6	71389333	1	SPROCKET, 16T (WITH REEL SPEED SENSOR DISC WELDED-ON)
		70911255	2	SETSCREW, 1/2NC X 3/4
	70905126	1	KEY, WOODRUFF, NO. 15	
7	71354276	2	SPACER	
8	71354277	2	ROLLER	
9	71365935	2	U-STRAP	
	70920990	2	CAPSCREW, 1/2 X 3 1/2	
	70922134	2	NUT, 1/2	
	10	71373658	1	SUPPORT, REEL, LH
	Y704635	2	NUT, LOCK 3/8	
	70922918	2	CAPSCREW, 3/8 X 3-1/4	
11	71389329	1	BRACKET, SENSOR	
12	71391021	1	SENSOR	
	700707343	2	CARRIAGE BOLT, 1/4-20 X 1/2	
	1703354	2	NUT, HEX FLNG TOP LK, 1/4-20	
13	-----	AR	SPROCKET (NOTE: REFERENCE SPECIFIC FLEX & RIGID PICKUP/BAT REEL DRIVE SPROCKETS IN REEL SECTION)	

GGH0063  
PR: 96

FH & RH GRAIN HEADERS  
HYDRAULICS

HYDRO REEL MOTOR  
RIGID & FLEX



**FH & RH GRAIN HEADERS  
HYDRAULICS**

115

**HYDRO REEL MOTOR  
RIGID & FLEX**

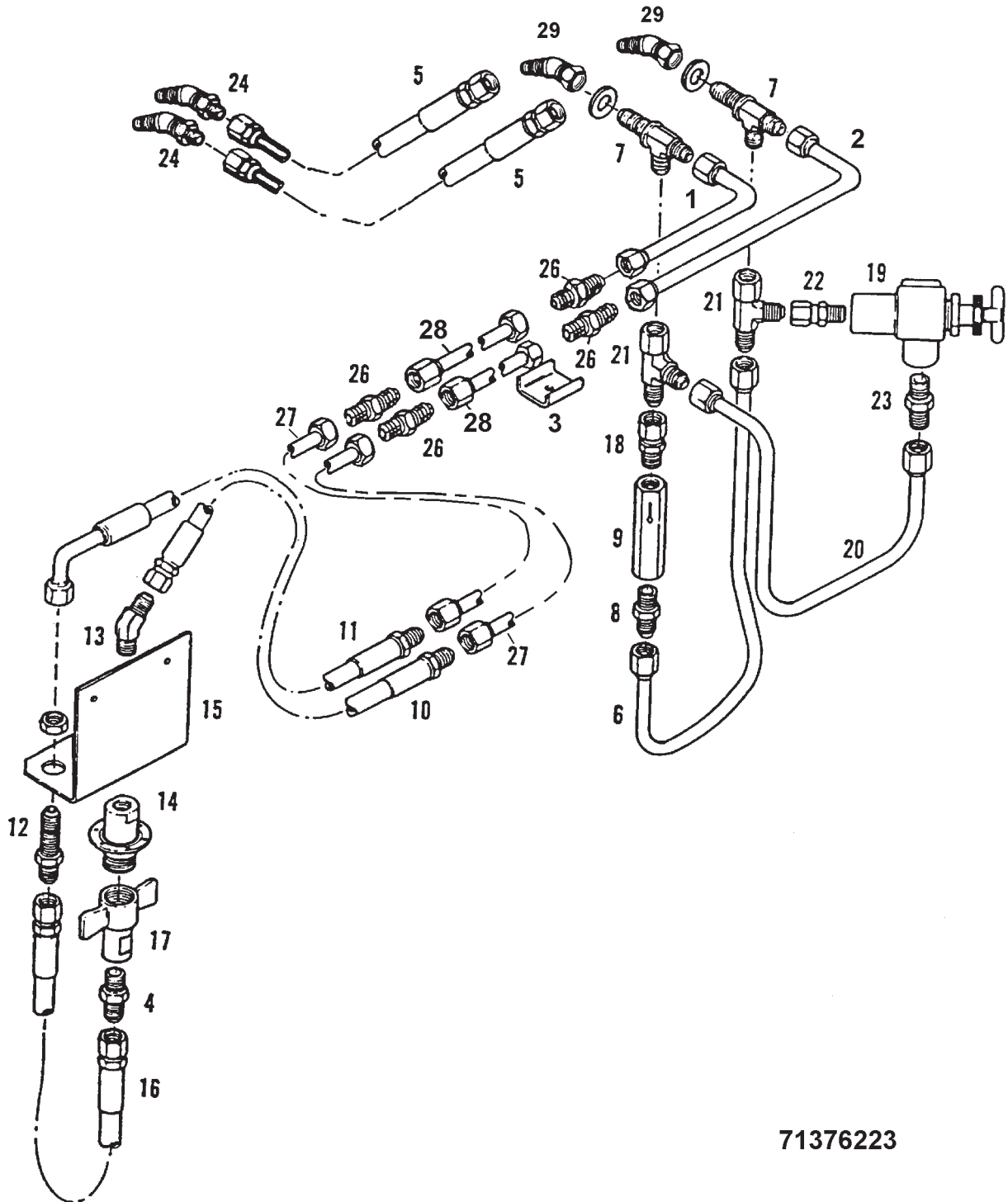
ITEM	NUMBER	QTY	DESCRIPTION
-	71359559	1	MOTOR ASY., (INCL. ITEMS 1-19)
1	71359560	1	HOUSING ASY., (INCL. ITEMS 18 & 19)
2	71359561	1	RING, BACK-UP
3	71339673	1	SEAL, CASE
4	71341640	1	WASHER, THRUST
5	71341644	1	BEARING, THRUST
6	71359562	1	SHAFT, COUPLING
7	71359563	1	SEAL
8	71359564	5	O-RING, 3.247 I.D. X .081 WIDE
9	71359565	1	PLATE, WEAR
10	71359566	1	LINK, DRIVE
11	71359567	1	ROTOR ASY.
12	71359568	1	MANIFOLD
13	71359569	1	COMMUTATOR ASY.
14	71359570	1	RING, SEAL
15	71359571	1	COVER, END
16	71359572	7	BOLT
17	70905126	1	KEY, WOODRUFF #15
18	71359602	1	BUSHING, SMALL, DRIVE END
19	71359601	1	BUSHING, LARGE
-	71367527	AR	*KIT, SEAL (INCL. ITEMS 2, 3, 7, 8 & 14)
-	71371920	AR	**KIT, SEAL (EATON UNIT)

NOTE: (MOTOR ASY. COULD BE EITHER  
\*PARKER/ROSS OR \*\*EATON. ILLUSTRATED  
SERVICE PARTS ARE FOR PARKER/ROSS UNIT  
ONLY! NO SERVICE PARTS ARE AVAILABLE  
FOR EATON UNIT EXCEPT SEAL KIT)

71359559  
PR: 98

FH & RH GRAIN HEADERS  
HYDRAULICS

HYDRO REEL DRIVE  
LINES & FITTINGS  
FLEX & RIGID



71376223

**FH & RH GRAIN HEADERS  
HYDRAULICS**

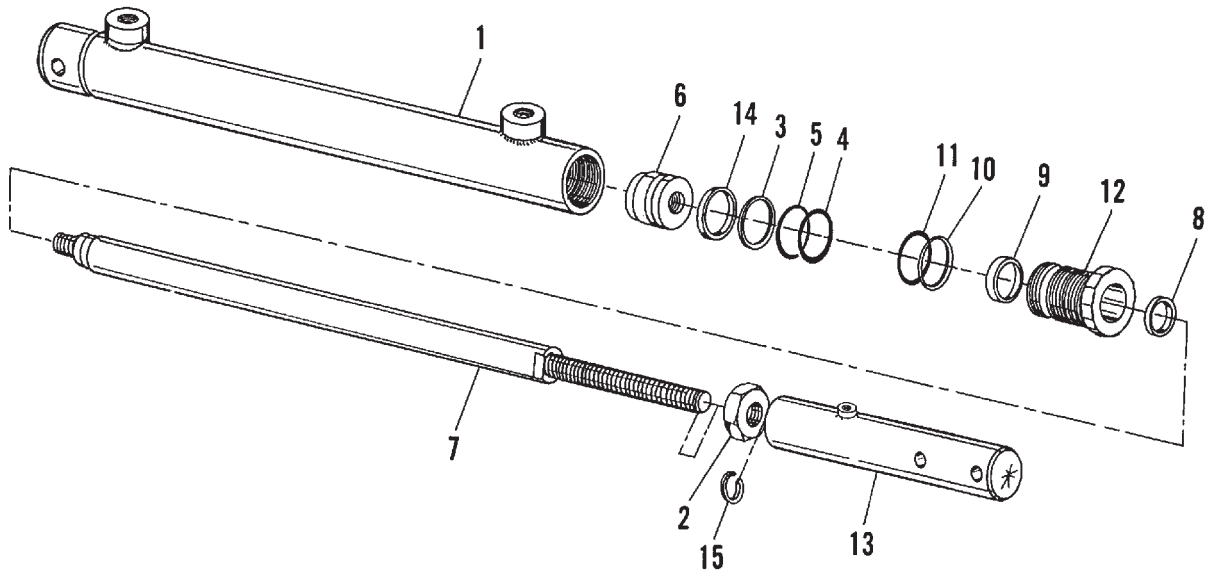
117

**HYDRO REEL DRIVE  
LINES & FITTINGS  
FLEX & RIGID**

ITEM	NUMBER	QTY	DESCRIPTION
1	71376198	1	TUBE ASY., RETURN (18')
	71376199	1	TUBE ASY., RETURN (20')
	71370574	1	TUBE ASY., RETURN (25 & 30')
2	71376194	1	TUBE ASY., PRESSURE (18')
	71376195	1	TUBE ASY., PRESSURE (20')
	71370573	1	TUBE ASY., PRESSURE (25' & 30')
3	71359026	AR	CLAMP, TUBE
	70931792	AR	BOLT, 1/4 - 20 X 1-1/2
	70931209	AR	NUT, FLANGED 1/4NC
	70922837	AR	CAPSCREW 1/4 X 1-1/2 (18', 20')
4	70919472	1	CONNECTOR, STRAIGHT 1/2 NPT TO JIC
5	71358647	2	HOSE, REEL MOTOR
6	71358981	1	TUBE ASY.
7	70927247	2	TEE, BULKHEAD
	70918269	4	WASHER, 3/4 SAE
8	70919128	1	CONNECTOR
9	71358980	1	VALVE, CHECK
10	71358626	1	HOSE, PRESSURE
11	71358627	1	HOSE, RETURN
12	70927062	1	UNION, BULKHEAD
13	70921038	1	ELBOW 45 DEG
14	71365883	1	COUPLING, HYDRAULIC
	71365880	1	FLANGE, COUPLER
	70925160	6	RIVET, POP .188 X .527
15	71375789	1	PLATE, COUPLING
	70923341	2	CAPSCREW 1/4NC X 3/4
	70931209	2	NUT, FLANGED 1/4NC
16	71364835	1	HOSE, RETURN (70" LONG)
17	71358564	1	COUPLER, FEMALE
18	70937499	1	ADAPTER
19	71338550	1	VALVE, RELIEF, TORQUE LIMITER
	70923548	1	O-RING, STEM
	70921205	1	O-RING, BODY
20	71358984	1	TUBE, (W/TORQUE LIMITER)
21	70921298	2	TEE (W/TORQUE LIMITER)
22	70937499	1	CONNECTOR (W/TORQUE LIMITER)
23	70919128	1	CONNECTOR (W/TORQUE LIMITER)
24	70925943	2	CONNECTOR, HOSE TO MOTOR (INCL. O-RING)
	70921205	2	O-RING
26	70919066	AR	UNION
27	71380178	2	TUBE ASY., EXT., LH (2401MM) (18', 20', 25' & 30')
28	71380181	2	TUBE ASY., EXTENSION (722MM LONG)(25')
	71380179	2	TUBE ASY., EXTENSION (1484MM LONG)(30')
29	70925018	2	FITTING, SWIVEL, 45 DEG.
30	70925094	1	TIE, PLASTIC (NOT ILLUSTRATED))

71376223  
PR: 100

CYLINDER REEL LIFT  
MASTER  
FLEX & RIGID





FH & RH GRAIN HEADERS  
HYDRAULICS

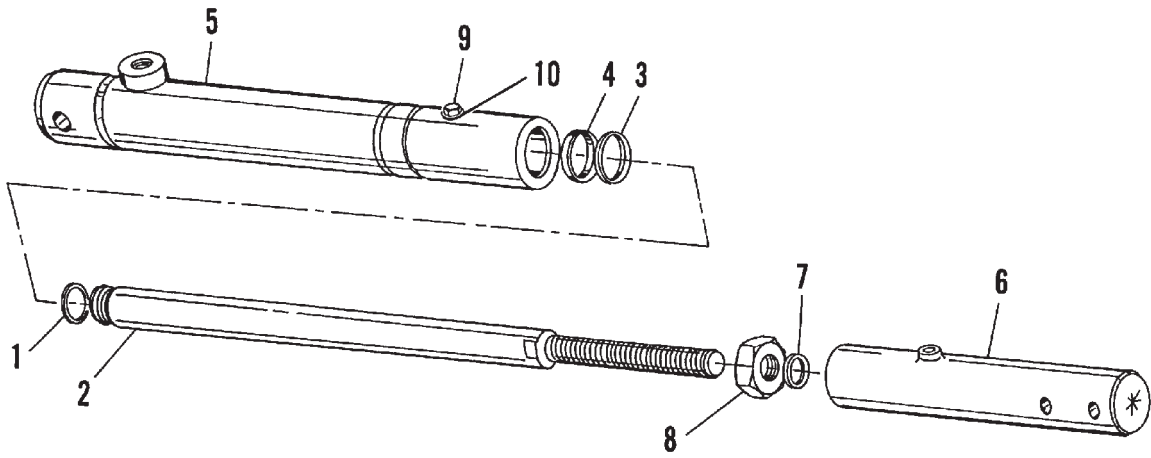
119

CYLINDER REEL LIFT  
MASTER  
FLEX & RIGID

ITEM	NUMBER	QTY	DESCRIPTION
-	71353766	1	CYLINDER ASY., MASTER
1	71370147	1	BARREL ASY.
2	70920439	1	NUT
3	-----	--	RING, SLIPPER
4	-----	--	O-RING
5	-----	--	O-RING
6	71370143	1	PISTON
7	71370146	1	ROD, PISTON
8	-----	--	SEAL, WIPER
9	-----	--	SEAL
10	-----	--	WASHER, BACKUP
11	-----	--	O-RING
12	71370144	1	BEARING
13	71370145	1	END, ROD
14	-----	--	RING, WEAR
15	-----	--	RING, RETAINING
-	71370137	1	SEAL KIT (INCL. ITEMS 3-5, 8-11 & 14-15)

71353766  
PR: 102

CYLINDER REEL LIFT  
SLAVE  
FLEX & RIGID



FH & RH GRAIN HEADERS  
HYDRAULICS

121

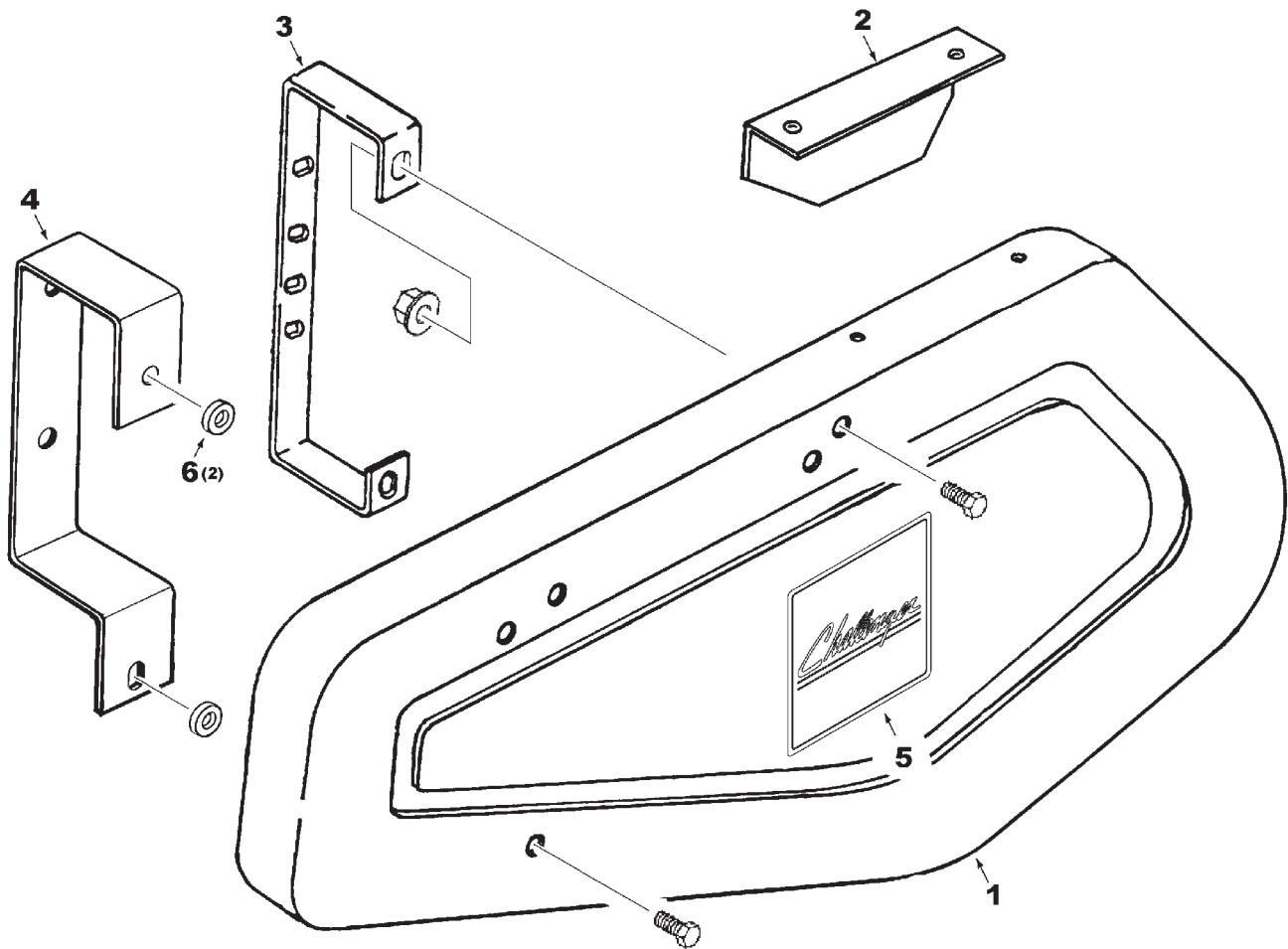
CYLINDER REEL LIFT  
SLAVE  
FLEX & RIGID

ITEM	NUMBER	QTY	DESCRIPTION
-	71353767	1	CYLINDER ASY., SLAVE
1	-----	--	RING, RETAINING
2	71370139	1	ROD, PISTON
3	-----	--	SEAL, WIPER
4	-----	--	SEAL
5	71370141	1	BARREL ASY.
6	71370145	1	END, ROD
7	-----	--	RING, RETAINING
8	70920439	1	NUT
9	-----	--	SCREW, BLEED
10	1020298M1	1	WASHER/SEAL
-	836522M91	1	SEAL KIT (INCL. ITEMS 1,3,4,7,9,& 10)

71353767  
PR: 104

FH & RH GRAIN HEADERS  
SHIELDS

SHIELDS  
RIGHT SIDE  
FLEX & RIGID



**FH & RH GRAIN HEADERS  
SHIELDS**

**123**

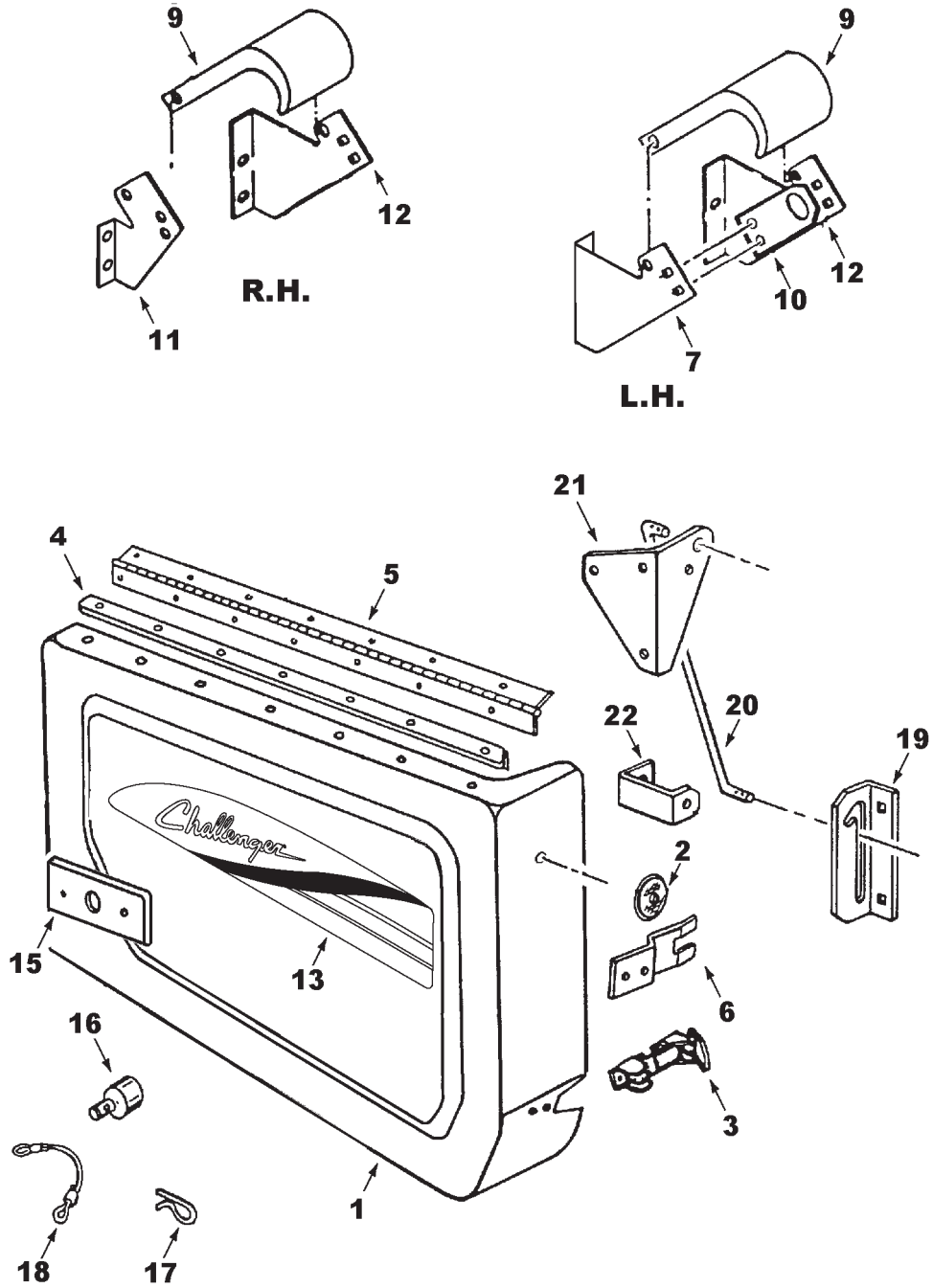
**SHIELDS  
RIGHT SIDE  
FLEX & RIGID**

ITEM	NUMBER	QTY	DESCRIPTION
1	71396939		SHIELD, REEL DRIVE (PLASTIC) (INCL. ITEMS 2 & 5)
	700717403	1	REFLECTOR, YELLOW
2	71370133	1	SHIELD, CHAIN
	70924280	2	RIVET, POP .188 X .40
3	71373656	1	BRACKET, FRONT
	7703432	6	CAPSCREW, 3/8 X 3/4, FLANGE HEAD
	70931211	6	NUT, 3/8 SERR. FLG.
4	71357529	1	BRACKET, REAR
	368270X1	2	CAPSCREW, 3/8 X 1 1/4 FLANGE HEAD
	7703432	2	SCREW, 3/8 X 3/4
	70917378	2	WASHER, 3/8 USS
	70931211	2	NUT, 3/8 SERR. FLG.
5	700721140	1	DECAL, LOGO, (CHALLENGER)
6	71312819	2	SPACER

GGH0076  
PR: 106

FH & RH GRAIN HEADERS  
SHIELDS

LH SHIELDS  
FLEX & RIGID



**FH & RH GRAIN HEADERS  
SHIELDS**

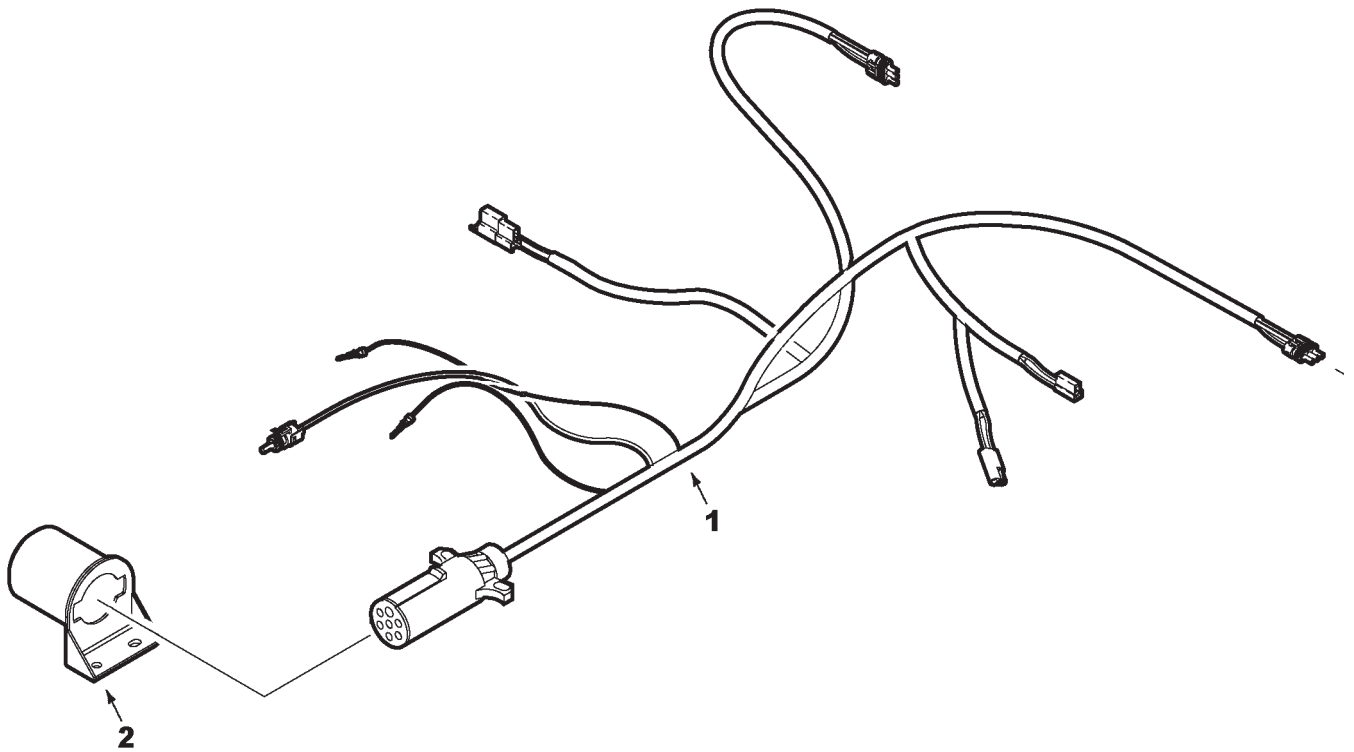
125

**LH SHIELDS  
FLEX & RIGID**

ITEM	NUMBER	QTY	DESCRIPTION
1	700721144	1	SHIELD PLASTIC, LH
2	70596764	AR	REFLECTOR, RED
	70918150	AR	SCREW, #10 - 32 X 1.0
	70917365	AR	WASHER, LOCK #10
	70917380	AR	WASHER, #10
	70917415	AR	NUT, #10-32
3	71348712	1	LATCH, T-HANDLE
	70925160	4	RIVET, .188 X .53
4	71368924	1	BRACKET
	70924280	AR	RIVET, BLIND, .188 X .402
	70918155	7	SCREW, ROUND HEAD, 1/4 X 1/2
	70916964	7	WASHER, LOCK, 1/4
	70920435	7	NUT, 1/4
5	71361225	1	HINGE
6	71366973	1	RETAINER, LATCH
7	71376006	AR	SUPPORT, DRIVE SHAFT SHIELD (18 & 20')
9	71329624	2	SHIELD, COUPLER
	70921332	4	CAPSCREW, 5/16-18 X 3/4
	70923362	4	NUT, LOCK, 5/16-18
10	71317964	AR	SUPPORT, DRIVE SHAFT
	70931348	2	BOLT, 3/8-16 X 3/4
	70931211	2	NUT, WHIZLOCK, 3/8-16
11	71380106	2	SUPPORT, SHIELD, INNER
	70923683	2	SCREW, THRD. FORMING, 3/8-16 X 3/4
12	71320686	3	SUPPORT, SHIELD
	70923683	6	SCREW, THRD. FORMING, 3/8-16 X 3/4
	70918430	2	WASHER, PLATE, 1/2 X 1-1/4 X 14GA
13	700721143	1	DECAL, LOGO, (CHALLENGER)
15	71373666	2	PLATE, SHIELD, PLASTIC
	70925160	1	RIVET, .188 X .53
16	71387654	1	STOP, SHIELD (MALE)
	70918266	1	WASHER, PLATE, 3/8 SAE
	70931211	1	NUT, WHIZLOCK, 3/8-16
17	98-2107	1	PIN
18	71369629	1	CABLE
	70924283	1	RIVET, .188 X .652
19	71366961	1	GUIDE, PROP ROD
	70931348	2	BOLT, RH, SN, 3/8 X 3/4
	70931211	2	NUT, SER. FLG., 3/8
20	71367502	1	ROD, SHIELD PROP.
	70918266	4	WASHER, FLAT, 3/8 SAI
	70918452	4	PIN, COTTER, 1/8 X 1
21	71366963	1	ANCHOR, PROP ROD
	70918249	3	SCREW, TRUSS HEAD 5/16 X 3/4
	70917372	3	NUT, SER. FLG., 5/16
	70917356	3	WASHER, LOCK, 5/16
22	71367521	1	STIFFENER, SHIELD
	7703457	1	CAPSCREW, 1/4 X 3/4
	70916964	1	WASHER, LOCK 1/4
	70920435	1	NUT, 1/4
23	71372804	2	BRACKET, SHIELD STOP (USE W/ LAT. TILT) (NOT ILLUSTRATED)
	70931348	5	BOLT, CARRIAGE, 3/8-16UNC X 3/4
	70931211	5	NUT, HEX, 3/8-16UNC
	70916965	5	LOCKWASHER, 3/8

GGH0073  
PR: 108

WIRE HARNESS  
RIGID & FLEX





**FH & RH GRAIN HEADERS  
ELECTRICAL**

**127**

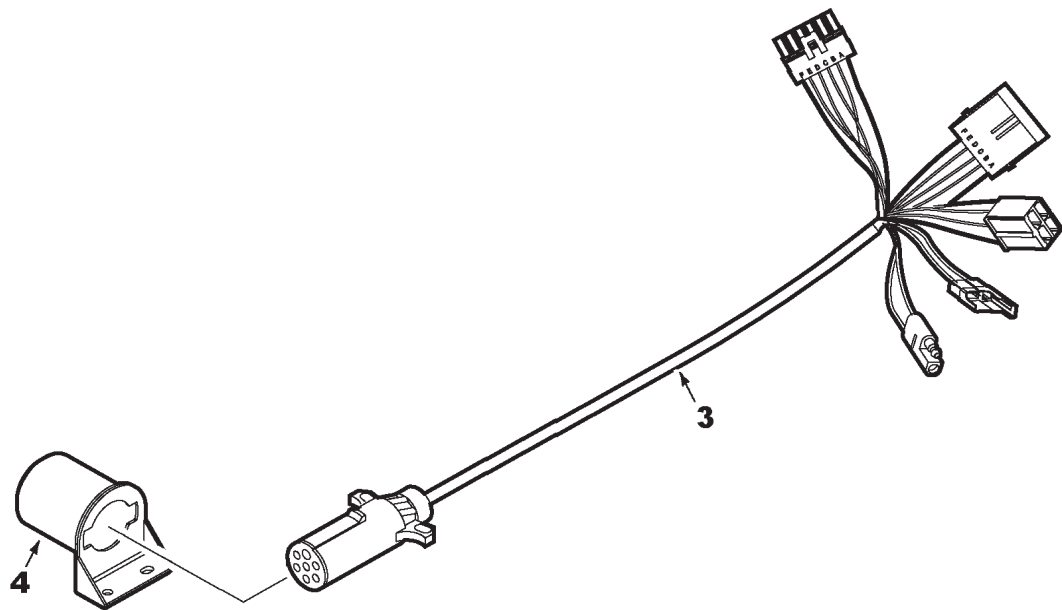
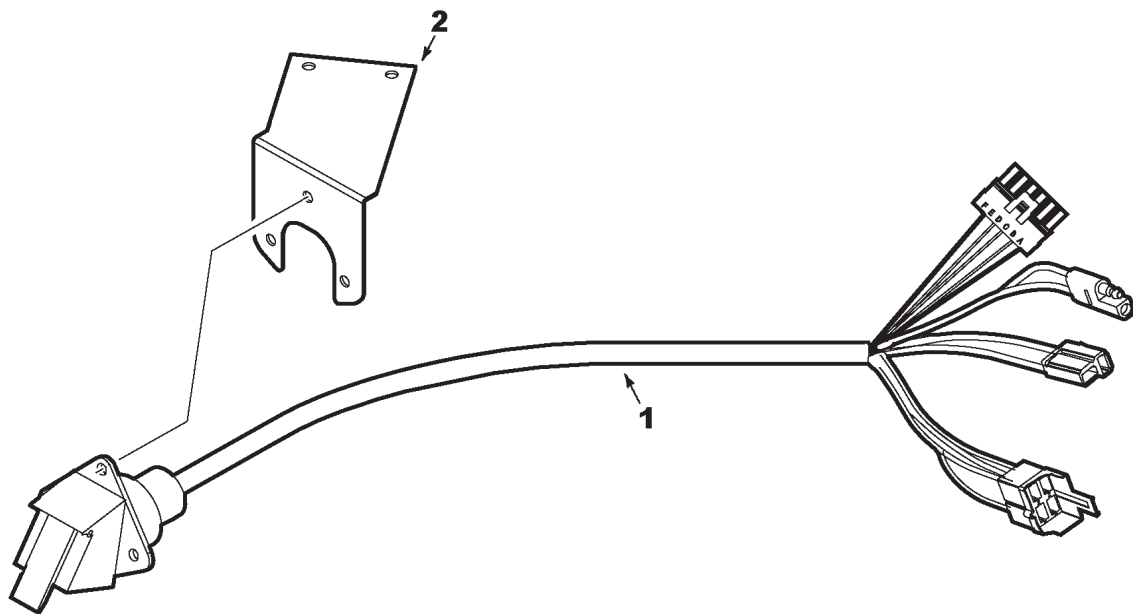
**WIRE HARNESS  
RIGID & FLEX**

ITEM	NUMBER	QTY	DESCRIPTION
1	71390302	1	HARNESS, HEADER MAIN WIRING (COMPLETE)
	71397680	AR	CONNECTOR PLUG, 13 PIN
	71397722	AR	TERMINAL
	700709175	AR	CONNECTOR
	700706401	AR	TERMINAL
	504738M1	AR	CONNECTOR
	700718579	AR	CONNECTOR
	700708760	AR	TERMINAL
	700706400	AR	SEAL
	70925094	AR	TIE, PLASTIC
2	700706922	1	CAP, ELECTRICAL PLUG STORAGE
-	71397293	AR	*KIT, ELECTRICAL ADAPTER (FOR 2003 & LATER HEADS ON 2002 & PRI. COMBINES)
-	71396964	AR	*KIT, ELECTRICAL ADAPTER (2002 & PRI. HEADS ON 2003 & LATER COMBINES)

\*NOTE: REFERENCE HARNESS ADAPTER PAGE  
FOR SERVICE PARTS BREAKDOWN.

GGH0079  
PR: 110

HARNESS ADAPTERS



**FH & RH GRAIN HEADERS  
ELECTRICAL**

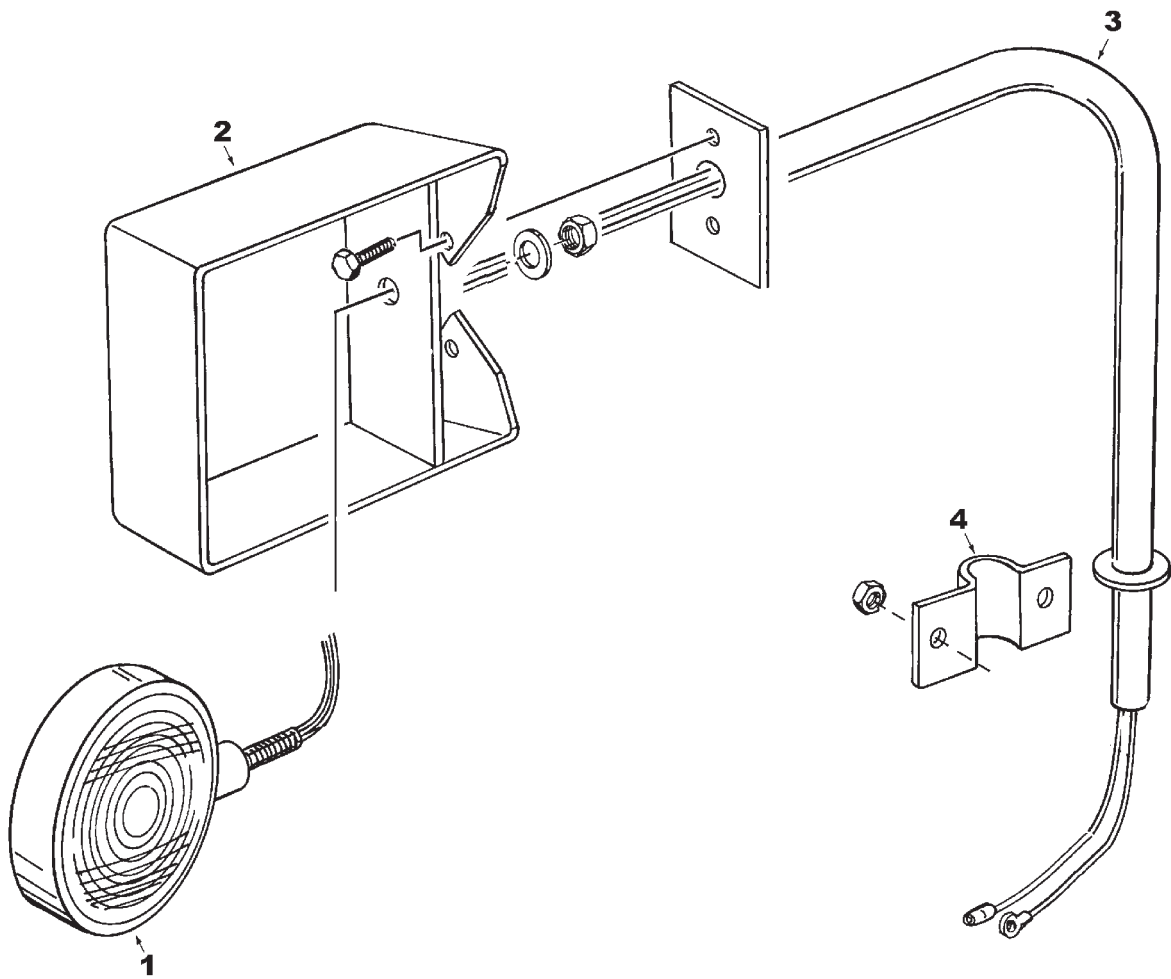
129

**HARNES ADAPTERS**

ITEM	NUMBER	QTY	DESCRIPTION
-	71397293	AR	KIT, ELECTRICAL ADAPTER (FOR 2003 & LATER HEADS ON 2002 & PRI. COMBINES) (INCLUDE ITEMS 1 & 2)
-	71396964	AR	KIT, ELECTRICAL ADAPTER (FOR 2002 & PRI. HEADS ON 2003 & LATER COMBINES) (INCLUDE ITEMS 3 & 4)
1	71391725	1	HARNES, ADAPTER (COMPLETE)
	71397687	AR	CONNECTOR, 13 PIN PLUG
	71397721	AR	BOOT, CONNECTOR
	71397722	AR	TERMINAL
	72516417	AR	CONNECTOR
	700708760	AR	TERMINAL
	700706400	AR	SEAL
	700708965	AR	PLUG
	504738M1	AR	CONNECTOR
	71339968	AR	TERMINAL
	70273984	AR	CONNECTOR
	71195398	AR	TERMINAL
2	71396959B	1	BRACKET, HEADER CONN. PRE 2003
	372729X1	2	SCREW, HEX WASH HD, 5/16-18 X 3/4
	70921332	3	CAPSCREW, 5/16-18 X 3/4
	70917356	3	LOCKWASHER, 5/16
	70917372	3	NUT, 5/16
3	71391708	1	HARNES, ADAPTER (COMPLETE)
	71397680	AR	CONNECTOR PLUG, 13 PIN
	71397722	AR	TERMINAL
	72516418	AR	CONNECTOR
	700706401	AR	TERMINAL
	700706400	AR	SEAL
	700708965	AR	PLUG
	72516417	AR	CONNECTOR
	700708760	AR	TERMINAL
	71339968	AR	TERMINAL
	700707063	AR	CONNECTOR
	71339969	AR	TERMINAL
4	700706922	1	CAP, ELECTRICAL PLUG
	364941X1	2	CARRIAGE BOLT, 1/4-20 X 1/2
	70931209	2	NUT, HEX FLNG SER LOCK, 1/4-20

GGH0080  
PR: t04d21k24b0002

CLEARANCE LIGHTS  
RIGID & FLEX



FH & RH GRAIN HEADERS  
ELECTRICAL

131

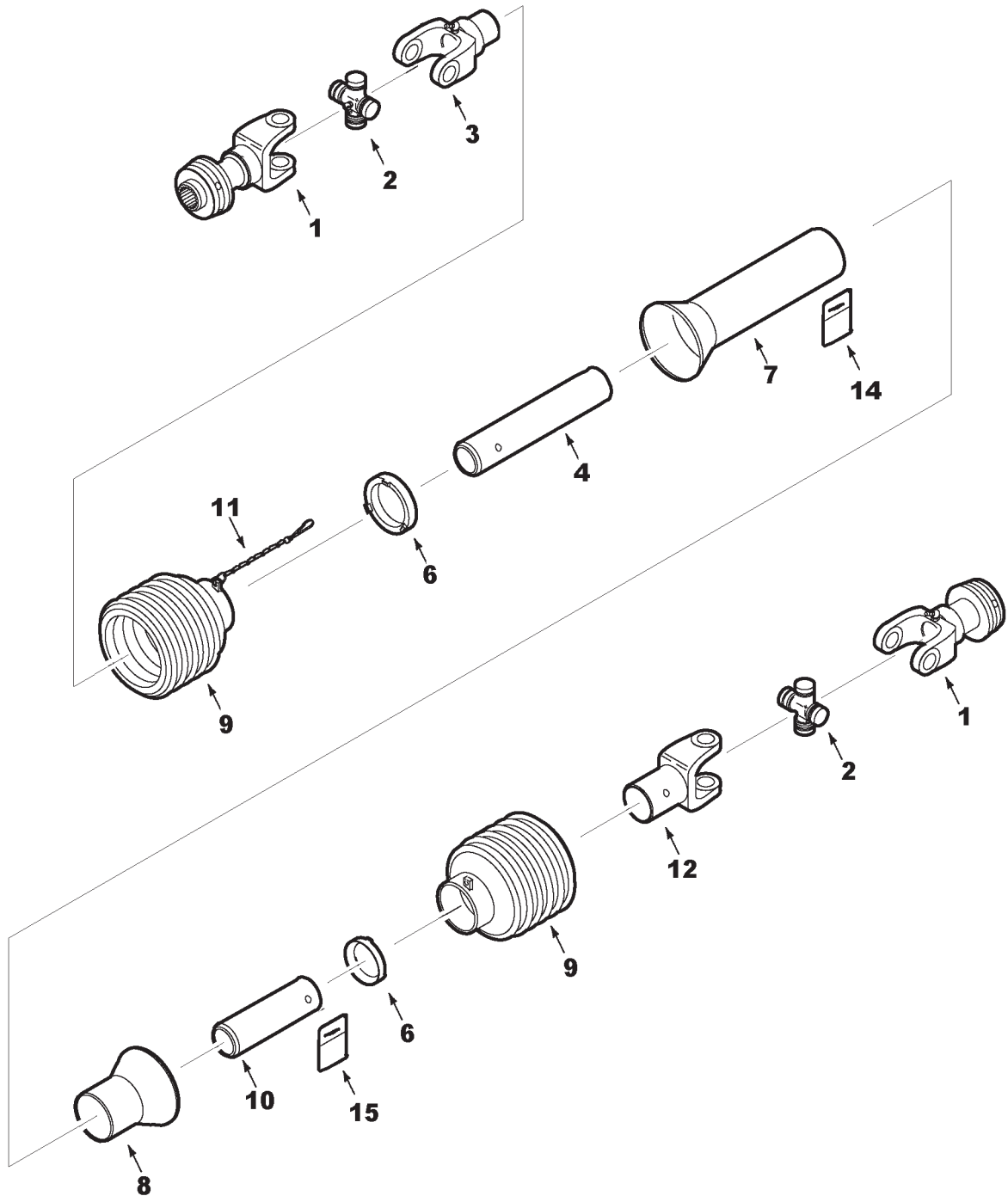
CLEARANCE LIGHTS  
RIGID & FLEX

ITEM	NUMBER	QTY	DESCRIPTION
1	71369914	2	LIGHT ASY. (INCL. LENS & BULB)
	71193862	4	LENS, AMBER
	1018729M1	2	BULB #1156
	71344765	4	TUBE, HEAT SHRINK
	70917378	2	WASHER, 3/8 USS
	70919312	2	WASHER, LOCK 3/8
	70923518	2	NUT, 3/8-16
	70937280	2	SCREW, SELF TAPPING, #8-32 X 3/4
	70917489	2	LOCKWASHER, #8
	704494	2	NUT, #8-32
2	71369911	2	BRACKET WLDMT., LIGHT
	70921210	4	CAPSCREW 3/8 - 16 X 1
	70931211	4	NUT 3/8-16 SER. FLG.
3	71369907	2	POST WLDMT, LIGHT
4	71369909	2	CLAMP, POST
	70921210	4	CAPSCREW, 3/8 - 16 X 1
	Y704635	4	NUT, LOCK 3/8 - 16

GGH0064  
PR: 112

FH & RH GRAIN HEADERS  
LATERAL TILT

DRIVESHAFT-PTO  
COMPONENTS  
LTM & PTO



**FH & RH GRAIN HEADERS  
LATERAL TILT**

133

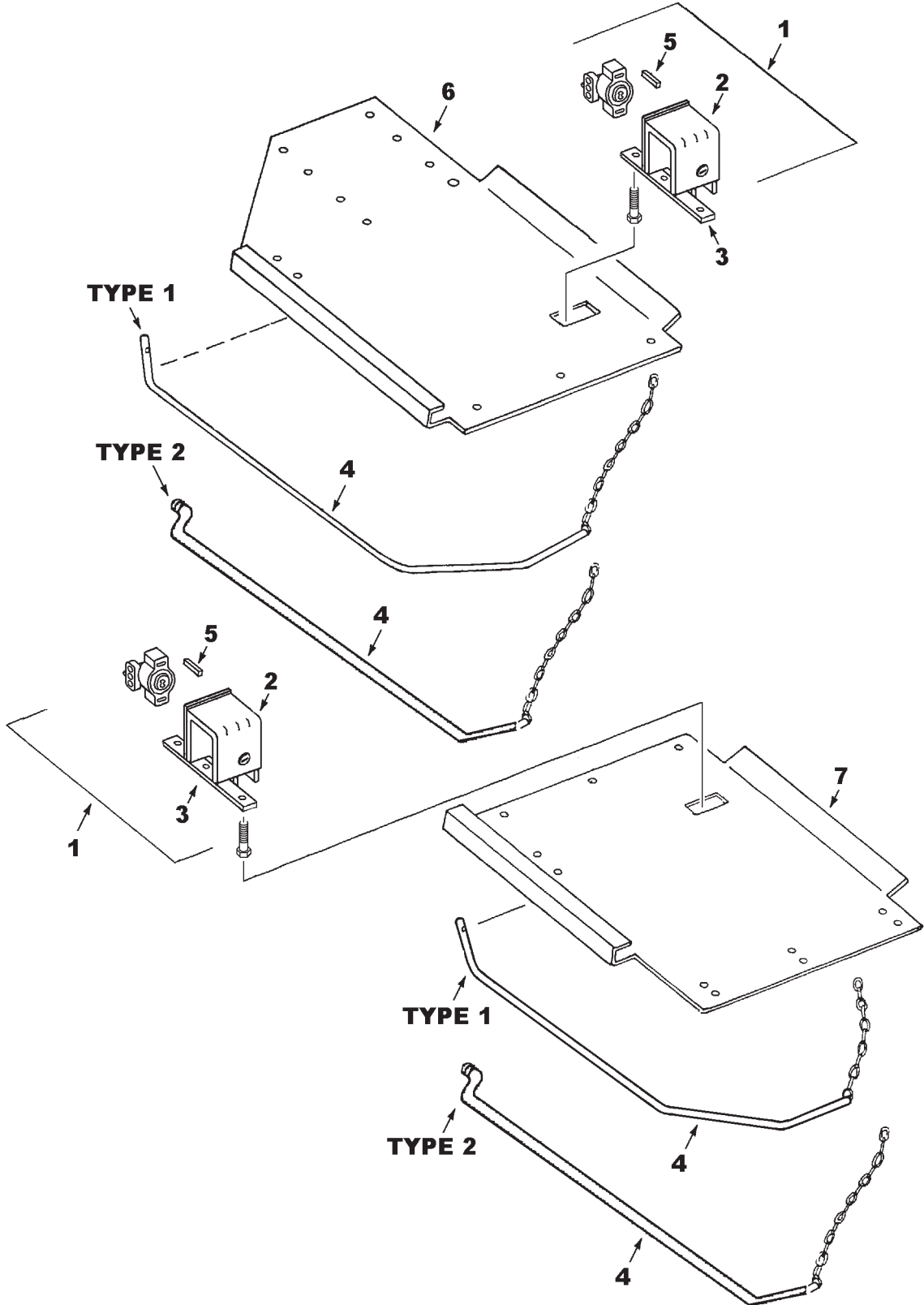
**DRIVESHAFT-PTO  
COMPONENTS  
LTM & PTO**

ITEM	NUMBER	QTY	DESCRIPTION
-	71371914	1	SHAFT, DRIVE, (PTO & LTM)
1	71374218	2	YOKE, INNER (WITH SLIDE COLLAR)
	71374220	AR	KIT, SLIDE COLLAR
2	71358188	2	KIT, CROSS & BEARING
	1120697	AR	FITTING, LUBE
3	71359627	1	YOKE, INNER PROFILE
	71359163	1	PIN, SPRING, 10 X 65MM
4	71359162	1	TUBE, PROFILE, INNER PTO (600MM)(CUT 120MM OFF FOR LTM & PTO)
6	71359168	2	BEARING, RING
7	71359164	1	SHIELD, TUBE, OUTER (INCL. ITEM 14)(CUT 120MM OFF FOR LTM & PTO)
8	71359165	1	SHIELD, TUBE, INNER (CUT 120MM OFF FOR LTM & PTO)
9	71374219	2	SHIELD (7-RIB)(LATERAL TILT)
	1077994M1	AR	SCREW
10	71359161	1	TUBE, PROFILE, OUTER PTO (595MM)(INCL. ITEM 15)(CUT 120MM OFF FOR LTM & PTO)
11	71382485	1	CHAIN, SAFETY
12	71359626	1	YOKE, OUTER PROFILE
	71359163	1	PIN, SPRING, 10 X 65MM
14	71359170	1	DECAL, DANGER
15	71359119	1	DECAL, DANGER

GGH0078  
PR: 114

FH & RH GRAIN HEADERS  
LATERAL TILT

POSITION SENSORS & BRACKETS  
RIGID





**FH & RH GRAIN HEADERS  
LATERAL TILT**

135

**POSITION SENSORS & BRACKETS  
RIGID**

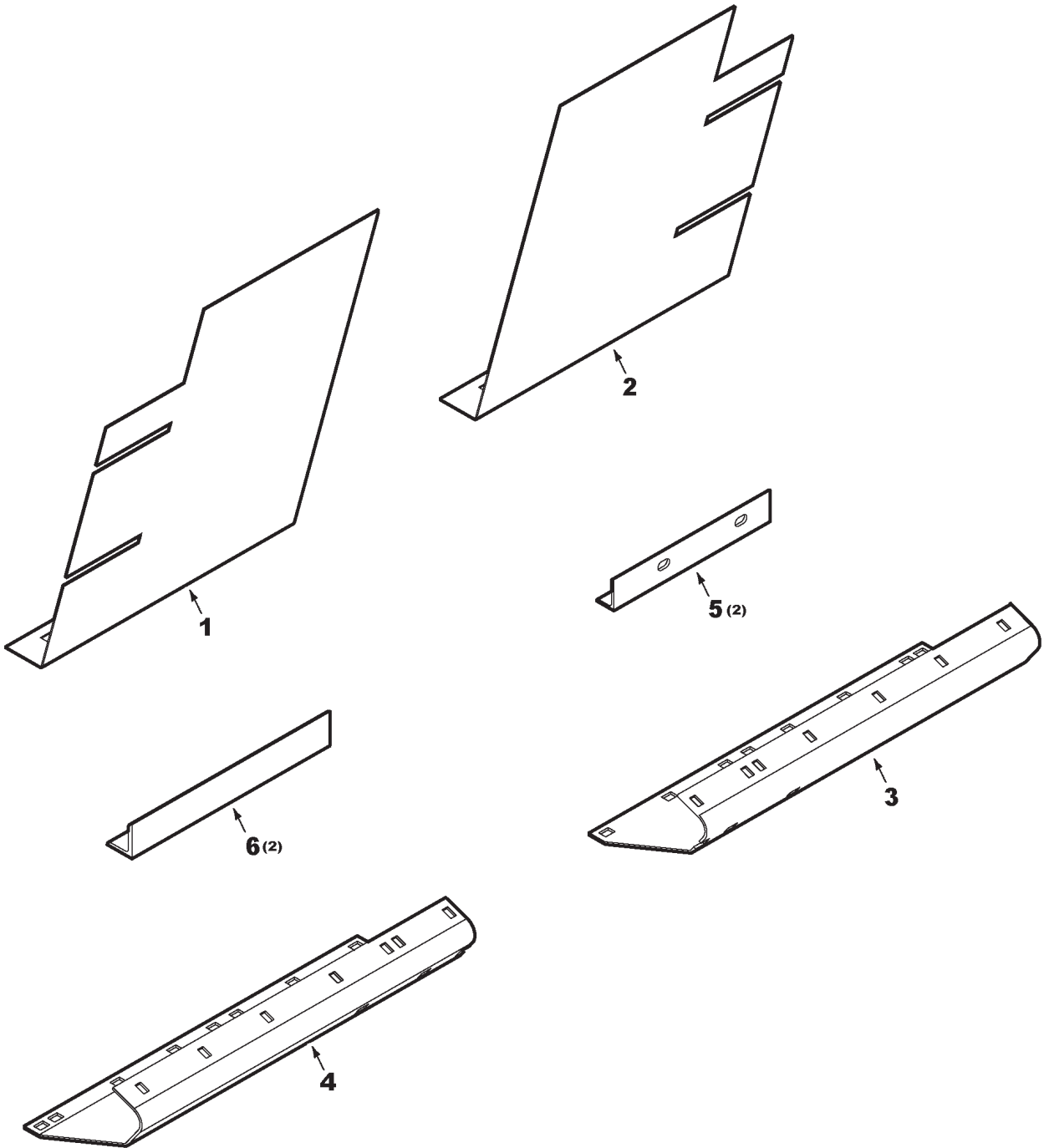
ITEM	NUMBER	QTY	DESCRIPTION
1	71376259	2	BRACKET ASY., SENSOR (INCL. 1 EA ITEM 2 & 5)
2	71376825	2	SENSOR, POSITION (5K)
	70918151	4	SCREW, HX HD, TAPPING
	70917380	4	WASHER, FLAT, #10
	70917365	4	WASHER, HELICAL SPRING LOCK, #10
3	71376258	1	BRACKET WLMT., SWITCH
4	71375690	2	SENSOR, GROUND, LH, LONG (TYPE-I)
	71386844	2	SENSOR, GROUND, LH, LONG (TYPE-II)
	70922127	1	BOLT, HX HD, 5/16 - 18UNC X 1-3/4
	70923362	1	NUT, LOCK, 5/16 - 18UNC
	70921333	4	CAPSCREW, 3/8 - 16UNC X 1.0
	70917378	1	WASHER, FLAT, 3/8
	70922127	1	BOLT, HEX HD, 5/16 - 18UNC X 1-3/4
	70923362	1	NUT, LOCK, 5/16 - 18UNC
	70930598	1	SCREW, SELF TAP, 3/8 - 16UNC X 1-1/2
	70917378	1	WASHER, FLAT, 3/8
5	71382607	2	ARM ACTIVATOR
6	-----	--	GUARD, ROCK, LH (REF. ONLY)
7	-----	--	GUARD, ROCK, RH (REF. ONLY)
-	71530153	AR	*KIT, HEADER HEIGHT SENSORS (CONTAINS TYPE-I GROUND SENSORS)
-	71530154	AR	*KIT, SMARTRAC SENSOR & PARTS (CONTAINS TYPE-II GROUND SENSORS WITHOUT WIRE HARNESS)

\*(ORDER THRU DEALER CENTRAL)

GGH0074  
PR: 116

FH & RH GRAIN HEADERS  
MOUNTING KITS (RIGID & FLEX)

HEADER ADAPTER PACKAGE  
HEADERS PRIOR S/N HM84101  
660 COMBINE



**FH & RH GRAIN HEADERS  
MOUNTING KITS (RIGID & FLEX)**

137

**HEADER ADAPTER PACKAGE  
HEADERS PRIOR S/N HM84101  
660 COMBINE**

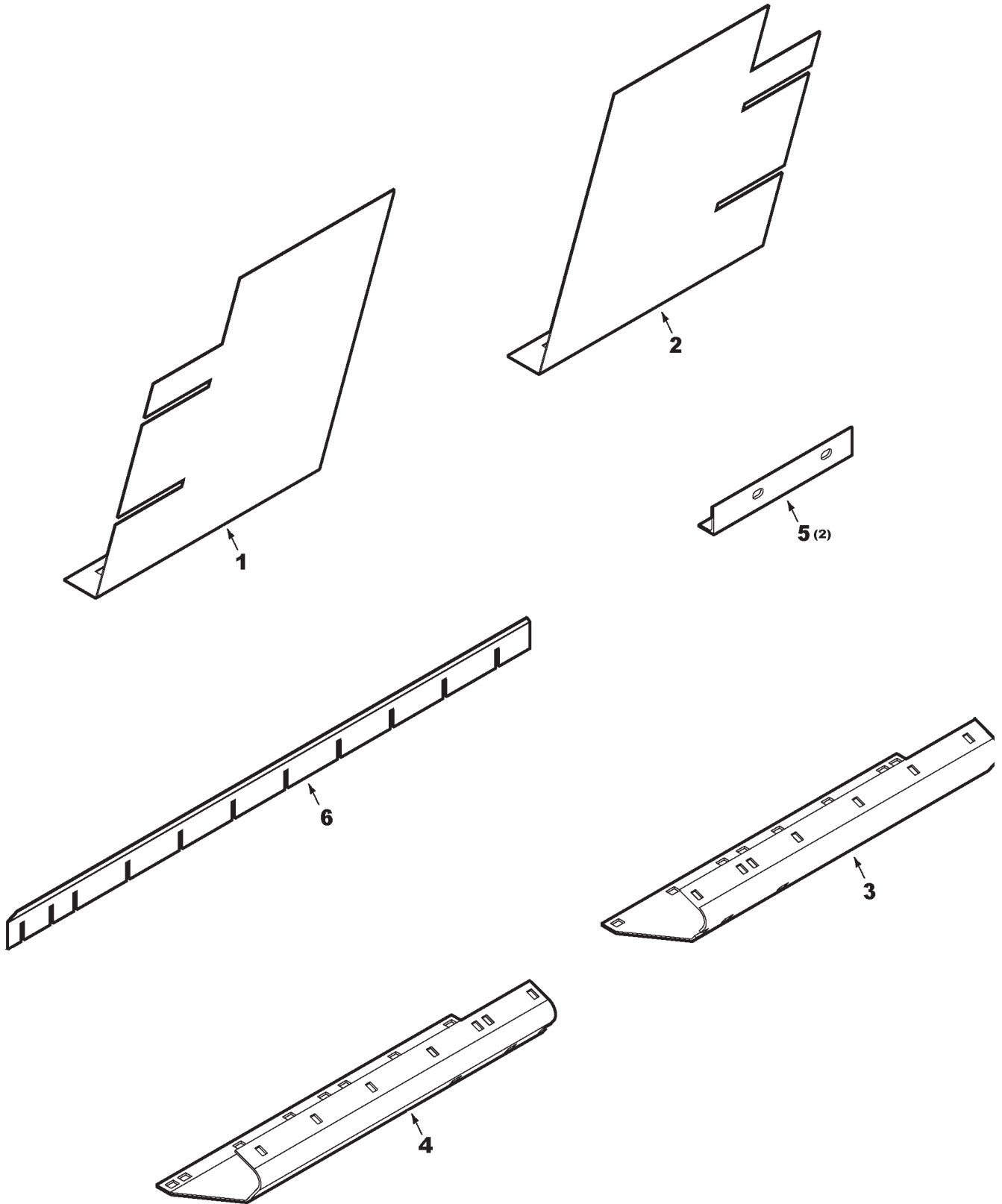
ITEM	NUMBER	QTY	DESCRIPTION
1	71377295	1	FILLER PANEL, HOUSING (LH)
2	71377294	1	FILLER PANEL, HOUSING (RH)
3	71375785	1	WEAR PLATE (RH)
4	71377293	1	WEAR PLATE (LH)
5	71377296	2	ANGLE, EXTENSION REAR
6	71376070	2	WEAR RETARDER, EXTENSION
	-----		HARDWARE (SEE BELOW, NOT ILLUSTRATED)
	7700461	4	BOLT, RD HD SQ NK, 5/16-18 X 3/4
	70918265	4	WASHER, 5/16
	70931277	4	LOCKNUT, HEX FLNG SER, 5/16-18
	70931317	6	BOLT, RD HD SQ NK, 1/4-20 X 3/4
	70931209	4	LOCKNUT, HEX FLNG SER, 1/4-20
	71335690	10	SCREW, TORX 5/16 X 3/4
-	71530165	AR	KIT, ADAPTER PACKAGE (FOR 660 COMBINE) (ORDER THRU DEALER CENTRAL)

NOTE: REFERENCE THIS KIT WHEN CONVERTING  
GRAIN HEADER FROM 670 COMBINE TO  
660 COMBINE

GGH0083  
PR: 118

FH & RH GRAIN HEADERS  
MOUNTING KITS (RIGID & FLEX)

HEADER ADAPTER PACKAGE  
HEADERS S/N HM84101 TO S/N HP84101  
670 COMBINE



**FH & RH GRAIN HEADERS  
MOUNTING KITS (RIGID & FLEX)**

**139**

**HEADER ADAPTER PACKAGE  
HEADERS S/N HM84101 TO S/N HP84101  
670 COMBINE**

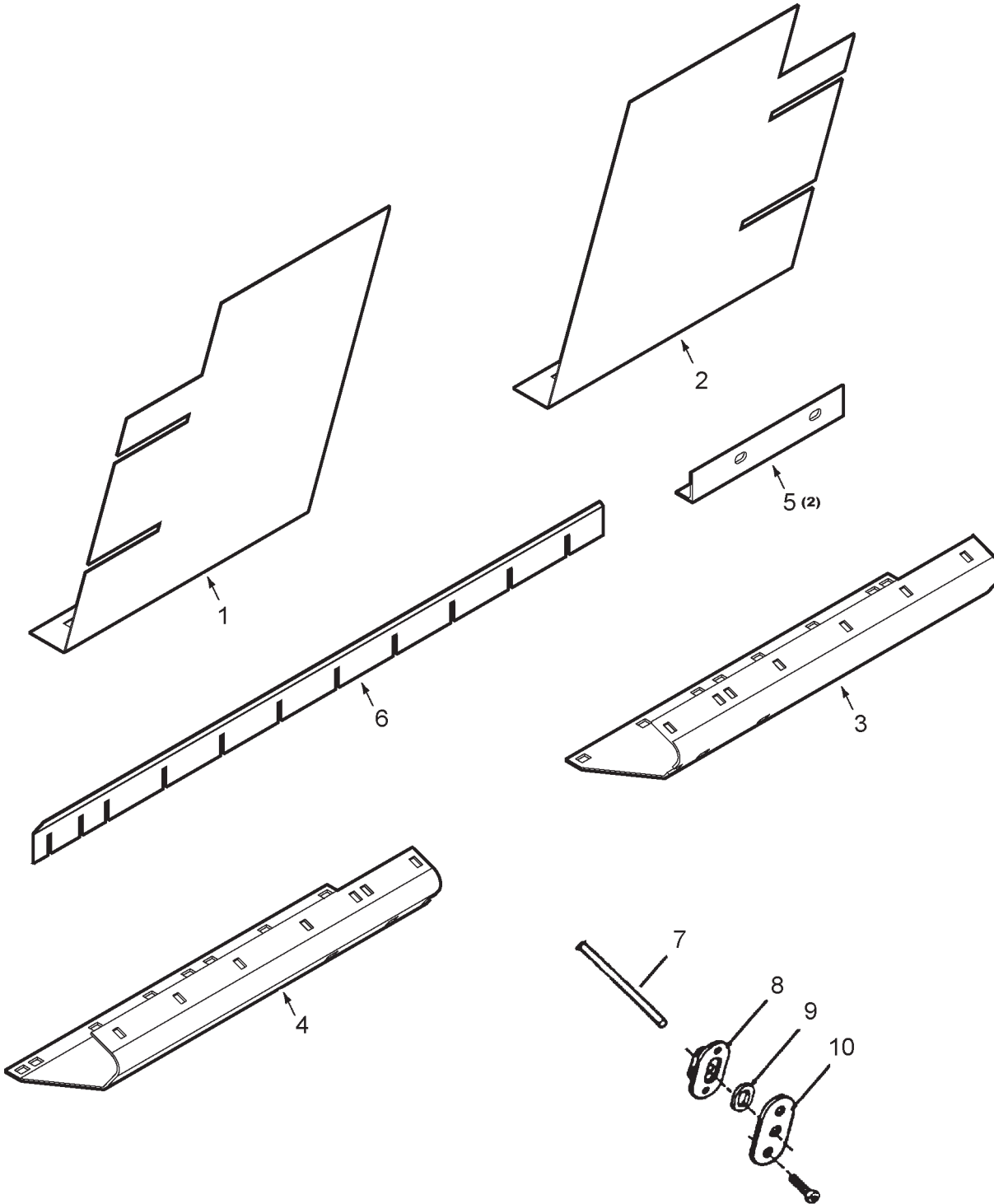
ITEM	NUMBER	QTY	DESCRIPTION
1	71391287	1	FILLER PANEL, HOUSING (LH)
2	71391288	1	FILLER PANEL, HOUSING (RH)
3	71390650	1	WEAR RETARDER, EXT. (RH)
4	71390649	1	WEAR RETARDER, EXT. (LH)
5	71390959	2	ANGLE, EXTENSION REAR
6	71390642	1	STRIP SEAL, FDR HOUSING
	-----		HARDWARE (SEE BELOW, NOT ILLUSTRATED)
	7700461	4	BOLT, RD HD SQ NK, 5/16-18 X 3/4
	70918265	4	WASHER, 5/16
	70931277	4	LOCKNUT, HEX FLNG SER, 5/16-18
	70931317	6	BOLT, RD HD SQ NK, 1/4-20 X 3/4
	70931209	4	LOCKNUT, HEX FLNG SER, 1/4-20
	71335690	10	SCREW, TORX 5/16 X 3/4
-	71530166	AR	KIT, ADAPTER PACKAGE (FOR 670 COMBINE) (ORDER THRU DEALER CENTRAL)

NOTE: REFERENCE THIS KIT WHEN CONVERTING  
GRAIN HEADER FROM 660 COMBINE TO  
670 COMBINE

GGH0084  
PR: 120

FH & RH GRAIN HEADERS  
MOUNTING KITS (RIGID & FLEX)

HEADER ADAPTOR PACKAGE  
HEADERS EFFECTIVE S/N HP84101  
670 COMBINE



**FH & RH GRAIN HEADERS  
MOUNTING KITS (RIGID & FLEX)**

141

**HEADER ADAPTOR PACKAGE  
HEADERS EFFECTIVE S/N HP84101  
670 COMBINE**

ITEM	NUMBER	QTY	DESCRIPTION
1	71407238	1	FILLER PANEL, HOUSING (LH)
2	71407239	1	FILLER PANEL, HOUSING (RH)
3	71390650	1	WEAR PLATE (RH)
4	71390649	1	WEAR PLATE (LH)
5	71390959	2	ANGLE, EXTENSION REAR
6	71390642	1	STRIP SEAL, FDR HOUSING
7	71373376	4	FINGER
	70913160	4	NUT, 3/4-10
8	71320326	4	SUPPORT, FINGER GUIDE
9	71320323	4	GUIDE, FINGER
10	71320327	4	COVER, FINGER HOLE
	-----	--	HARDWARE (SEE BELOW, NOT ILLUSTRATED)
	7700461	4	BOLT, RD HD SQ NK, 5/16-18 X 3/4
	70918265	4	WASHER, 5/16
	70931277	4	LOCKNUT, HEX FLNG SER, 5/16-18
	70931317	6	BOLT, RD HD SQ NK, 1/4-20 X 3/4
	70931209	6	LOCKNUT, HEX FLNG SER, 1/4-20
	71335690	18	SCREW, TORX 5/16 X 3/4
-	71530488	AR	KIT, ADAPTER PACKAGE (FOR 670 COMBINE) (ORDER THRU DEALER CENTRAL)

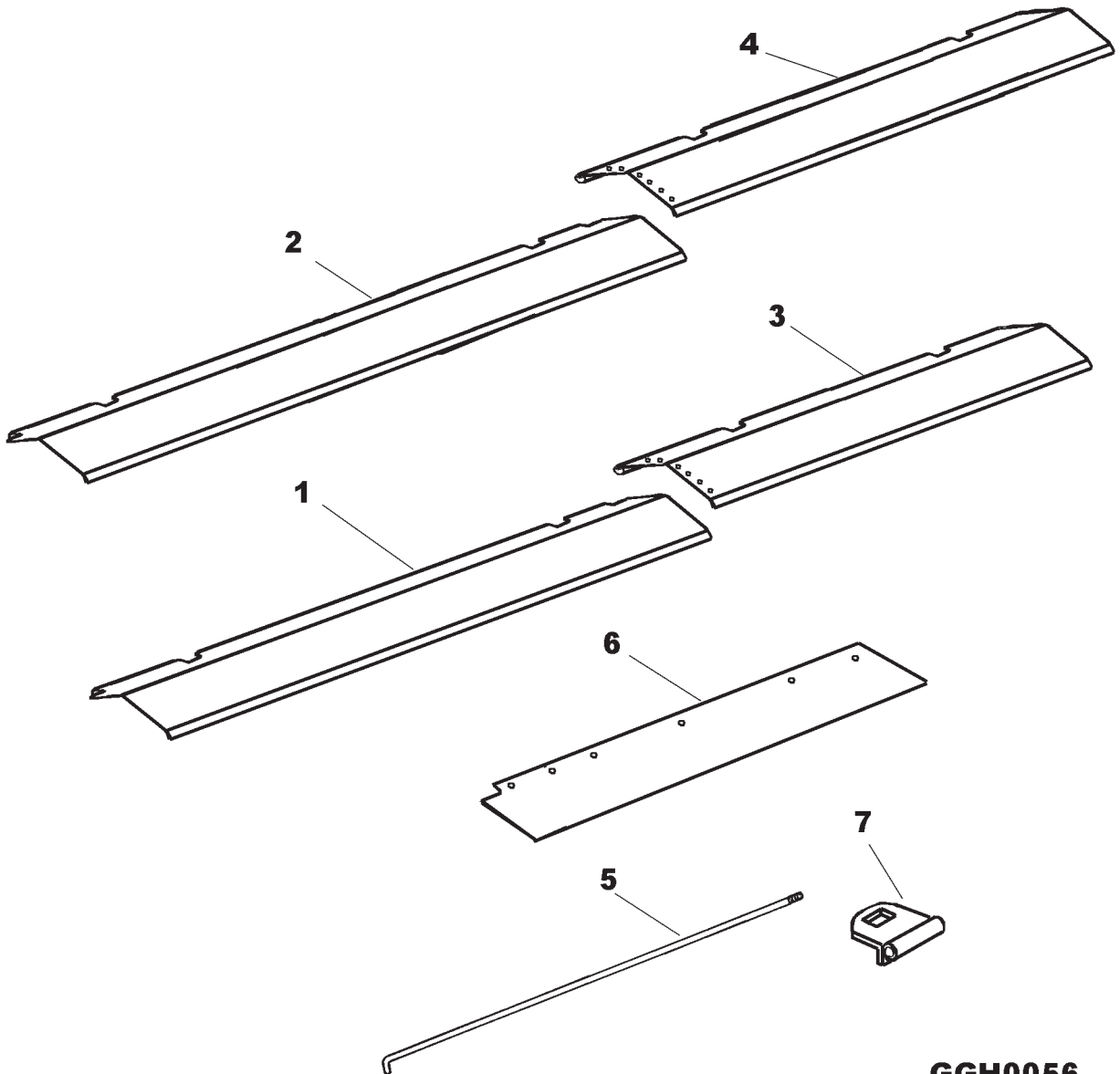
NOTE: REFERENCE THIS KIT WHEN CONVERTING  
GRAIN HEADER FROM 660 COMBINE TO  
670 COMBINE

GGH0089  
PR: t05b03o56b0004

HEADERS  
RAISED FEATHER SHEETS  
FLEX

FEATHER SHEET ORIENTATION  
(RAISED)

L.H.	30'	4	1	1	1	1	1	4	R.H.
	25'	4	2	2	2	2	4		
	20'	3	1	1	1	1	3		
	18'	4	1	1	1	4			



GGH0056



**FH & RH GRAIN HEADERS  
ACCESSORIES**

143

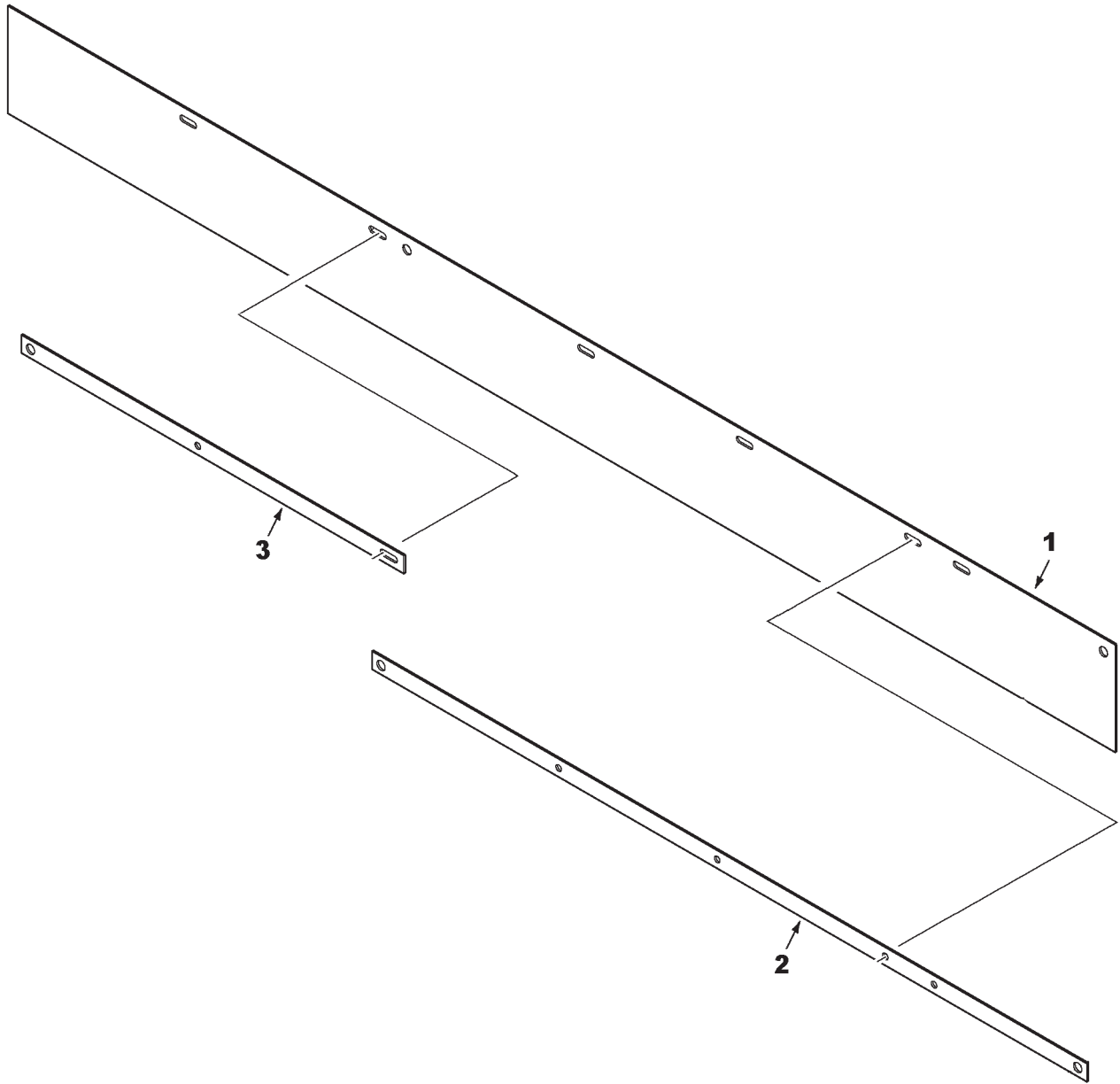
**HEADERS  
RAISED FEATHER SHEETS  
FLEX**

ITEM	NUMBER	QTY	DESCRIPTION
1	71386776	AR	SHEET, FEATHER, (INTERMEDIATE-4') QTY= (2 FOR 18',3 FOR 20',5 FOR 30')
2	71386777	AR	SHEET, FEATHER, (INTERMEDIATE-5') QTY= (3 FOR 25')
3	71386778	AR	SHEET, FEATHER, (OUTER-LH/4') QTY= (1 FOR 20')
	71386779	AR	SHEET, FEATHER, (OUTER-RH/4') QTY= (1 FOR 20')
4	71386780	AR	SHEET, FEATHER, (OUTER-LH/5') QTY= (1 FOR 18',1 FOR 25',1 FOR 30')
	71386781	AR	SHEET, FEATHER, (OUTER-RH/5') QTY= (1 FOR 18',1 FOR 25',1 FOR 30')
5	71387496	AR	ROD, HINGE, (INTERMEDIATE-4')(47.68") QTY= (2 FOR 18',3 FOR 20',5 FOR 30')
	71387498	AR	ROD, HINGE, (INTERMEDIATE-5')(59.69") QTY= (3 FOR 25')
	71387495	AR	ROD, HINGE, (OUTER-4')(44.02") QTY= (2 FOR 20')
	71387497	AR	ROD, HINGE, (OUTER-5')(56.02") QTY= (2 FOR 18',2 FOR 25',2 FOR 30')
	70923358	AR	NUT, LOCK, 1/4-20
6	71386782	2	SEAL, RUBBER
	70924280	12	RIVET, .188 X .402
	70917380	12	WASHER, FLAT, #10
7	71387491	AR	CLIP, (FEATHER-SHEET) QTY= (8 FOR 18',10 FOR 20',8 FOR 25',14 FOR 30')
	70918266	AR	WASHER, FLAT, 3/8
	Y705624	AR	WASHER, FLAT, 1/2
	71341521	AR	WASHER, SPACER, .406 X 1.18 X .250
	70922869	AR	BOLT, CARRIAGE, RHSN, 3/8-16 X 1-3/4
-	71530155	AR	*KIT, RAISED FEATHER SHEETS (18')
-	71530156	AR	*KIT, RAISED FEATHER SHEETS (20')
-	71530157	AR	*KIT, RAISED FEATHER SHEETS (25')
-	71530158	AR	*KIT, RAISED FEATHER SHEETS (30')

\*(ORDER THRU DEALER CENTRAL.)

GGH0056  
PR: 122

RUBBER CURTAIN PACKAGE  
FLEX & RIGID



**FH & RH GRAIN HEADERS  
ACCESSORIES**

145

**RUBBER CURTAIN PACKAGE  
FLEX & RIGID**

ITEM	NUMBER	QTY	DESCRIPTION
1	71386848	1	CURTAIN, RUBBER
2	71386849	1	STRAP, CURTAIN, 44-1/4"
	71335690	5	SCREW, SELF TAP, 5/16 X 3/4 TORX
	70931277	5	NUT, SER. FLG., 5/16
	70935275	1	CAPSCREW, HEX-SOCKET, 5/16-18 X 1.0
3	71386850	1	STRAP, CURTAIN, 24-1/2"
	71335690	2	SCREW, SELF TAP, 5/16 X 3/4 TORX
	70931277	2	NUT, SER. FLG., 5/16
	70935275	1	CAPSCREW, HEX-SOCKET, 5/16-18 X 1.0
-	71530159	AR	KIT, RUBBER CURTAIN (REDUCE DUST/DEBRIS) (ORDER THRU DEALER CENTRAL)

GGH0082  
PR: 124



FH & RH GRAIN HEADERS  
RECOMMENDED DEALER STOCK

147

RECOMMENDED DEALER STOCK

ITEM	NUMBER	QTY	DESCRIPTION
-	70225608	2	CONE, BEARING
-	70241380	2	CUP, BEARING
-	70527219	1	COLLAR, LOCK
-	70534438	1	COLLAR, BEARING
-	70905126	2	KEY, WOODRUFF
-	70905127	1	KEY, WOODRUFF
-	70910276	1	KEY
-	70919329	2	WASHER
-	70921205	10	O-RING
-	70923548	10	O-RING
-	70925094	6	TIE
-	70925442	2	TIE, SELF LOCK
-	70927699	2	RING, RETAINING
-	70931942	2	NUT, SPECIAL
-	70934820	1	SEAL,OIL
-	71115607	2	JAM NUT
-	71116532	15	PLATE, WEAR
-	71126056	1	BEARING, BALL
-	71127313	6	FLANGE, BEARING
-	71127502	1	IDLER, PURCHASE
-	71137123	1	COVER, HANDHOLE
-	71139987	1	NUT
-	71148214	10	SHIM
-	71149472	1	CHAIN ASY, ROLLER
-	71394244	1	CHAIN ASY, ROLLER
-	71172928	1	SPRING
-	71176156	10	BEARING, NYLATR
-	71176360	2	BEARING, NYLATR
-	71192243	4	FLANGE, BEARING
-	71306443	1	IDLER, FLAT
-	71307305	1	IDLER, V-GROOVE
-	71307586	2	SEAL
-	71308201	1	BUSHING
-	71308984	6	BEARING, FLANGE
-	71309128	6	BEARING, FLANGE
-	71359168	2	RING, BEARING
-	71361274	1	PIN, SHORT
-	71309584	1	BLOCK
-	71311340	2	SPRING
-	71312130	2	SHIM
-	71312131	2	SHIM
-	71312132	2	SHIM
-	71312133	2	SHIELD
-	71315615	2	SPACER
-	71316764	1	BEARING
-	71320310	1	SPROCKET
-	71389333	1	SPROCKET (16T)
-	71404264	1	HUB

CONTINUED

RDL  
PR: 126



**FH & RH GRAIN HEADERS  
RECOMMENDED DEALER STOCK**

149

**RECOMMENDED DEALER STOCK**

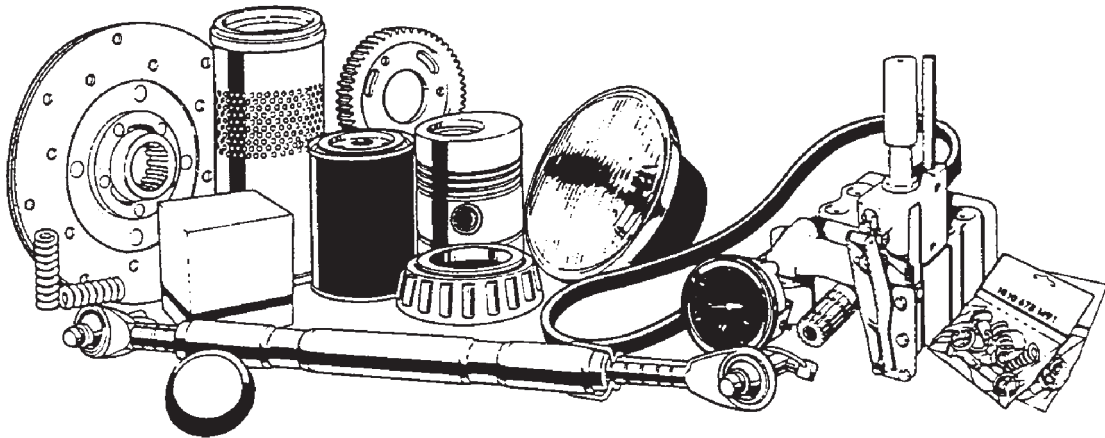
ITEM	NUMBER	QTY	DESCRIPTION
-	71320312	2	BRACKET
-	71320323	10	GUIDE, FINGER
-	71320326	15	SUPPORT, GUIDE FINGER
-	71320327	15	COVER, GUIDE FINGER
-	71321850	1	SPUD
-	71322827	2	BUSHING
-	71322828	2	BELT
-	71322834	3	BELT
-	71322875	1	WRENCH, TORX
-	71323169	1	PLATE, MISC
-	71323170	6	PLATE, MISC
-	71323992	2	SPRING
-	71325325	1	NUT
-	71327861	1	DRAWBOLT, TILT ARM
-	71327866	1	SHAFT
-	71328149	2	END, ROD
-	71328361	1	COUPLER ASY
-	71333775	2	BEARING, BALL
-	71335423	2	PIN, SICKLE DRIVE
-	71335424	2	NUT, DRIVE PIN
-	71335425	1	SPACER, SICKLE
-	71336974	2	BEARING
-	71338689	1	GUIDE, ASY
-	71340335	2	SENSOR, ASY
-	71340350	2	BUSHING
-	71340645	1	SENSOR, ASY
-	71342621	1	PIN
-	71342623	1	PIN
-	71390302	1	HARNESS, MAIN WIRING (HEADER)
-	71344240	1	HOUSING, SICKLE
-	71345591	6	CLIP, KNIFE
-	71345599	2	SPACER, GUARD
-	71346158	25	CLIP, SICKLE
-	71346159	2	SPACER
-	71347775	1	HEAD, SICKLE
-	71348175	150	SECTION, SICKLE
-	71348712	1	LATCH, T-HANDLE
-	71349955	1	BEARING, ASY.
-	71351135	50	SECTION, SICKLE
-	71351139	2	SECTION, SICKLE
-	71353125	50	SECTION, SICKLE
-	71349959	1	PIN
-	71354276	2	SPACER, ROLLER
-	71354277	2	ROLLER, PLASTIC
-	71354497	1	PIN, LONG (RH)
-	71355699	1	EYEBOLT, ROD ADJUSTER
-	700716123	2	FLANGE, BEARING
-	51318	1	BEARING

CONTINUED

RDL  
PR: 126

RECOMMENDED DEALER STOCK

# RECOMMENDED DEALER'S STOCK





FH & RH GRAIN HEADERS  
RECOMMENDED DEALER STOCK

151

RECOMMENDED DEALER STOCK

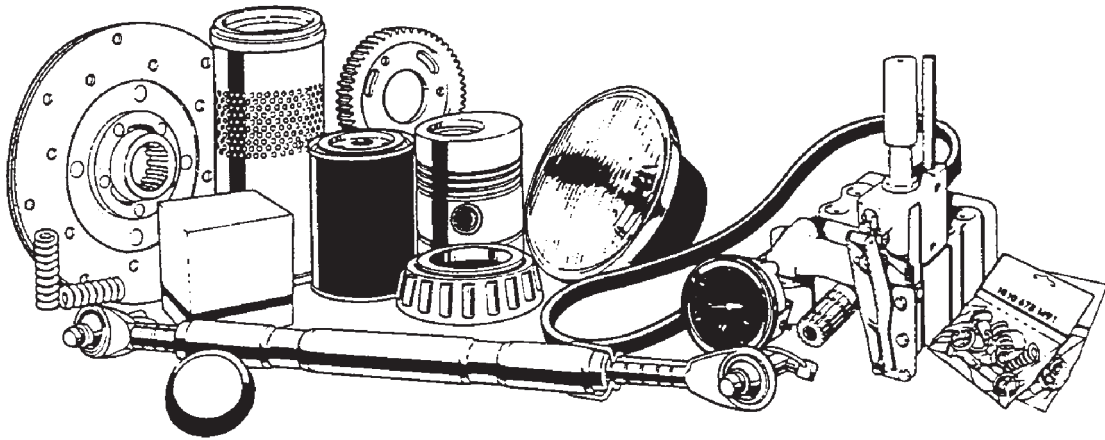
ITEM	NUMBER	QTY	DESCRIPTION
-	71358188	1	U-JOINT
-	71358564	1	COUPLER ASY, HYD
-	71359163	1	SPRING, PIN
-	71365880	1	FLANGE, HYD COUPLER
-	71365883	1	COUPLING, HYDRAULIC
-	71366258	2	POINT, DIVIDER
-	71367255	2	STRAP, BEARING
-	71367256	6	BEARING, REEL ARM
-	71367257	1	ARM, REEL
-	71367527	1	SEAL KIT, HYD
-	71368702	1	BEARING, ROLLER
-	71368703	6	BEARING, ECCENT
-	71368704	6	BEARING, ECCENT
-	71386846	2	BUSHING, PIVOT
-	71369629	1	CABLE
-	71369864	2	FLANGETTE, 62MM
-	71369903	4	SPACER, DIVIDER
-	71369914	1	LAMP, CLEARANCE
-	71369922	1	SPACER, STOP
-	71370130	2	FLANGE, BRG, 72MM
-	71370459	1	RING, LOAD
-	71370460	1	HUB, TAPERED
-	71370575	15	GUARD, NARROW SPACED
-	71370634	2	FLANGETTE, 72MM
-	71371580	1	SHEAVE, RIGID HEADERS
-	71371903	1	SPROCKET, WLMT
-	71390984	1	SPROCKET ASY., (16T-60)
-	71395464	1	SPROCKET ASY., (14T-60)
-	71373363	1	RETAINER, FINGER
-	71373376	6	FINGER, AUGER
-	71374218	1	YOKE
-	71374220	1	SLIDE COLLAR KIT
-	71390982	1	SPROCKET (59T-60)
-	71376825	1	SENSOR, POSITION
-	79008328	6	IDLER, UPS
-	1018729M1	2	BULB
-	13811X	10	FITTING
-	71322606	2	SPACER
-	71377768	4	RING, SPROCKET
-	832909M1	1	BEARING
-	833094M1	2	CUP
-	833095M1	2	CONE
-	836522M91	1	SEAL KIT, HYD CYLINDER
-	K4037	2	BEARING, BALL
-	700713276	6	BEARING
-	700708886	1	PLATE, ROLLER
-	700716861	2	HOLDER, BEARING
-	71404261	1	SHAFT, GUDGEON

CONTINUED

RDL  
PR: 126

RECOMMENDED DEALER STOCK

# RECOMMENDED DEALER'S STOCK



**FH & RH GRAIN HEADERS  
RECOMMENDED DEALER STOCK**

153

**RECOMMENDED DEALER STOCK**

ITEM	NUMBER	QTY	DESCRIPTION
-	700714195	100	FINGER
-	700708889	2	WASHER
-	70917864	1	PIN, SPRING
-	71324207	1	LENS
-	71327838	1	SHIELD, PLASTIC
-	71386962	75	GUARD, SICKLE (PKG. QTY.)
-	71389145	5	SECTION, BLANK
-	71385137	1	GUDGEON ASY.
-	71371920	1	SEAL KIT
-	71389106	150	FINGER, PLASTIC
-	71389107	10	FINGER, PLASTIC
-	71389108	10	FINGER, PLASTIC
-	71389109	10	FINGER, PLASTIC
-	71394217	1	SICKLE HEAD (7/8-14) SCHUMACHER
-	71386925	2	BOLT, SICKLE HEAD
-	71386951	2	BOLT, SICKLE HEAD
-	71386923	1	SECTION, HALF
-	71386924	25	SECTION, SICKLE
-	71386952	10	BOLT, SECTION
-	71386953	10	NUT, LOCK
-	71386905	1	GUARD, LH SCHUMACHER
-	71386906	10	GUARD, STD SCHUMACHER
-	71386907	2	GUARD, W/BOTTOM CUTOOUT SCHUMACHER
-	70920415	10	CAPSCREW, GUARD
-	71386908	1	SPACER, 4-HOLE
-	71386909	1	SPACER, 3-HOLE
-	71137120	1	SPROCKET ASY.
-	71391994	1	HOUSING ASY.
-	71389141	1	HEAD, SICKLE 3/4-16
-	71391978	1	HEAD, SICKLE 7/8-14
-	71391999	1	HEAD, SICKLE 7/8-14 (CLEAN CUT SICKLE)
-	700722270	1	HEAD END, SPLIT SICKLE
-	700722271	2	CENTER, SPLIT SICKLE
-	700722275	1	TAIL END, SPLIT SICKLE (20')
-	700722276	1	TAIL END, SPLIT SICKLE (25')
-	700722273	1	TAIL END, SPLIT SICKLE (30')
-	71399776	2	SPLICE KIT, SPLIT SICKLE
-	700722265	1	HEAD END, SPLIT SICKLE, CLEAN CUT
-	700722266	2	CENTER, SPLIT SICKLE, CLEAN CUT
-	700722268	1	TAIL END, SPLIT SICKLE, CLEAN CUT (20')
-	700722269	1	TAIL END, SPLIT SICKLE, CLEAN CUT (25')
-	700722267	1	TAIL END, SPLIT SICKLE, CLEAN CUT (30')
-	71398130	1	KIT, SEAL, REEL MOTOR (WHITE HYDRAULICS)

NOTE: THIS PARTS STOCK LIST  
INDICATES THOSE ITEMS RECOMMENDED  
TO SERVICE FIVE UNITS.

RDL  
PR: 126