

Row Crop Chassis

PARTS CATALOG

Ag-Chem
1074C ROGATOR CHASSIS 2006

AG134944

February 2006

How to use this Parts Book

Parts Ordering Guide:

1. Give the Serial Number of your Chassis or System when ordering.
2. Use the part number and description when ordering parts.
3. Give the Assembly Title if needed.
4. Give the P/N number and date for the Parts Book if needed.

Parts List Abbreviations

NSS Not Sold Separately
 AR As Required, usually for a lubricant or adhesive
 REF Reference - Part called out on a different page.
 NS Not shown in illustration
 R/B Replaced by another number
 ASM assembly page

Notice:

Every effort has been made to ensure the accuracy of the information in this book. However, because of design changes that can occur since this book was published, it is possible that some illustrations and part numbers can be different than on your machine. The technical information in this book was correct at the time this book was approved for publication.

FUEL TANK AND TOOL BOX INSTL

ITEM	PART #	QTY	DESCRIPTION	COMMENTS
1	AG109742	4	MATTING-RUBBER,2.00X44.50X.12	
2	AG109754	4	MATTING-RUBBER,2.00X46.00X.12	
3	AG120558	1	TUBE WLDMT-FUEL LINE	
4	AG122229	1	BRKT,STIFFNER,HAT SECTION	
5	AG122302	1	BRKT-AUX BAT POST	
6	AG125208	1	SHIELD-EXHAUST	
7	AG125210	4	STRAP WLDMT-FUEL TANK	
8	AG126403	4	BOLT-.31-18X2.75 G5 CRG ZN/Y	
9	AG130111	1	PLATE,MTG-FUEL TUBE	
10	AG130414	4	TUBE-RD,.75ODX.12WALL X 2.00LG	
11	AG262729	2	PLATE-SLOT SEALING	
12	AG325049	1	CABINET ASM-TOOL BOX,LH	
13	AG325050	1	CABINET ASM-TOOL BOX,RH	
14	AG504815	1	TANK-FUEL,65GL,POLY,RH	
15	AG504816	1	TANK-FUEL,65GL,POLY,LH	
16	AG510939	-	HOSE HYD 0.37 BULK 250PSI WP [BULK: 5 FT]	
17	AG512346	-	3M 1300 YELLOW ADHESIVE (GAL) [BULK: 0.001 GL]	
18	AG512885	AR	LOCTITE ADHESIVE SEALANT BLUE	
19	AG518292	2	BOLT-UJ .31-18X2.00X 2.69 RD SS	
20	AG519556	1	SENDING UNIT FUEL LEVEL	
21	AG522183	-	HOSE-FUEL,2.00 ID [BULK: 2.5 FT]	
22	AG522439	8	BOLT-.38-16X1.5,G5,ZN,CRG	
23	AG522453	2	VENT-FUEL,90D,.50MNPTX.38HOSEB	
24	AG523919	8	CLAMP-HIGH TORQUE,3.00	
25	AG550124	2	NUT 0.50-13NC HEX ZN REG	
26	AG550205	4	WASHER LK 0.31 ZN REG	
27	AG550213	4	NUT 0.31-18NC HEX ZN REG	
28	AG550256	2	BOLT.50-13NCX1.25 G5 ZN HHD	
29	AG550264	2	WASHER 0.50 LK ZN REG	
30	AG550353	10	WASHER 0.50 FL ZN REG TYPE-B	
31	AG551007	8	WASHER FL 0.37 ZN REG TYPE-B	
32	AG551015	4	WASHER 0.31 FL ZN REG TYPE-B	
33	AG551201	1	ADAP STR .37MNPT X .37MJIC (N)	
34	AG552461	1	ADAP STR 0.50MNPT X 0.50MJIC	
35	AG561025	2	CLAMP HOSE .218 TO .625 U55	
36	AG561867	2	PLUG PIPE 0.25-18 EXT HEX HD	
37	AG601152	8	NUT 0.50-13NC HEX ZN REG NY	
38	AG601411	8	NUT 0.37-18NC HEX ZN REG LK NY	
39	AG601888	4	NUT 0.31-18NC HEX ZN REG NY	
	FOOTNOTE [A]		FOR REPLACEMENT CAP USE AG055178	
	FOOTNOTE [B]		FOR REPLACEMENT CAP USE AG055178	

Assembly Title, refer to Table of Contents

Assembly Reference, see referenced page

SEE PAGE 4-2
 SEE PAGE 4-3
 [A]
 [B]

Footnote Reference, see notes below.

Footnote Reference

Footnote description

Assembly Page #, refer to Table of Contents

Part Book Section, refer to Table of Contents

Part Book Title, refer to Part Book Cover

1074C ROGATOR CHASSIS 2006

SECTION 1 - ENGINE GROUP

AG121838	MNFLD-FILTER,REMOTE FUEL	1-1
AG122808	COOLING PKG GROUP 250 HP	1-2
AG122809	COOLER ASM	1-3
AG327703	TANK-DEAERATION	1-4
AG122813	ALTERNATOR INSTL-160 AMP	1-5
AG522554	ALTERNATOR-160 AMP	1-6
AG122814	ALTERNATOR INSTL-200 AMP	1-7
AG522555	ALTERNATOR-200 AMP	1-8
AG123912	AIR INTAKE INSTAL	1-9
AG122214	AIR CLEANER-15.00 DIA	1-10
AG126395	KIT-PAC BRAKE REMOTE BREATHER	1-11
AG127725	ENGINE INSTL-CAT 3126B,275HP	1-12
AG127726	ENGINE-CAT 3126B,275HP,INDSTRL	1-13
AG132290	KIT-BRAKE, EXHAUST	1-14
AG132289	BRAKE ASM-EXHAUST	1-15
AG133248	EXHAUST GROUP, "C"	1-16
AG133249	DRIVE SYSTEM INSTL,"C"	1-17

SECTION 2 - FRAME AND SUSPENSION GROUP

AG122472	STANDARD CHASSIS-FRONT SUSP	2-1
AG133250	STANDARD CHASSIS,"C"	2-2
AG134385	CHASSIS ASM-FRAME,"C"	2-3
AG320830	CROSSMEMBER ASM	2-4

SECTION 3 - AXLE AND STEERING GROUP

AG120859	2 WHEEL STEER	3-1
AG122638	AXLE ASM-8X8,FRONT	3-2
AG122777	VALVE ASM-STEERING,REAR	3-3
AG123963	CHASSIS ASM-REAR SUSP	3-4
AG124739	COMPONENT INSTL-4WS	3-5
AG328021	SENSOR ASM-STEER	3-6

SECTION 4 - FUEL SYSTEM GROUP

AG122480	INSTL-FUEL LINE 3126B	4-1
AG133273	FUEL TANK & TOOL BOX INSTL	4-2

SECTION 5 - HYDRAULIC GROUP

AG120959	VALVE-PRIORITY,OLS 80,80 L/MIN	5-1
AG120972	VALVE,HYD,4X4 STEER,AGCO	5-2
AG121582	RESERVOIR-HYD 60 GAL	5-3
AG121973	STEER UNIT ASM	5-4
AG121981	TRACK ADJ BLOCK ASM-REAR	5-5
AG327663	BLOCK-HYD,TRACK ADJUST	5-6

1074C ROGATOR CHASSIS 2006

AG122763	SUPPORT ASM-HOSE,DRIVE,REAR	5-7
503500D1	CYLINDER INSTL-STEERING,FRONT	5-8
AG124360	CYLINDER ASM-STEERING,FRONT	5-9
AG122772	CYLINDER-HYD,3.00X10.00X1.38	5-10
AG124730	CYLINDER INSTL-STEERING,REAR	5-11
AG130018	CYLINDER ASM-STEERING,REAR	5-12
AG424623	CYLINDER-HYD,3.00X12.00X1.38	5-13
AG124356	CYLINDER INSTL-CHASSIS	5-14
AG122204	CYLINDER ASM-TRACK	5-15
AG424157	CYLINDER-HYD,3.25X16.00X1.25	5-16
AG124736	TRACK ADJ BLOCK ASM-FRONT	5-17
AG125143	VALVE ASM-STEERING REAR	5-18
AG125820	VALVE ASM-STEERING,REAR	5-19
AG125142	PLMB INSTL-HYD STEERING REAR	5-20
AG127029	SUPPORT ASM-HOSE,DRIVE, FRONT	5-21
AG130454	KIT-ORING,ROGATOR	5-22
AG262994	CYLINDER ASM-HYD,LADDER	5-23
AG424994	CYLINDER-HYD,1.50X6.50X.63	5-24
AG132285	WHEELMOTOR INSTL	5-25
AG122468	MOTOR-HYD,CLASS 6,RH REAR	5-26
AG122469	MOTOR-HYD,CLASS 6,LH REAR	5-27
AG132284	MOTOR-HYD,BBC 05,FRONT	5-28
AG524378	ADPTR-STR,.50MO-R X .50MO-R	5-29
AG132599	FILTER-HYD,CASE DRAIN	5-30
AG121588	FILTER-HYD,NO BY-PASS,CASE DRN	5-31
AG132600	FILTER ASM-HYD,CASE DRAIN	5-32
AG133247	PUMP-TANDEM,SAUER,100CCX2,"C"	5-33
AG134932	PUMP-HYD,FRONT HYDRO (133247)	5-34
AG134933	PUMP-HYD,REAR HYDRO (133247)	5-35
AG132603	BLOCK-HYD,HYDRO HIC	5-36
AG134180	VALVE BANK-HYD,AUTOGUIDE,RG	5-37
AG135343	HYD COMPONENT INSTL,"C"	5-38
AG135344	HYD INSTL-BLKHD,FLANGE KITS	5-39
AG135345	HYD INSTL-HOSE CLAMPS,ROUTING	5-40
AG135351	MANIFOLD ASM,HYD RETURN	5-41
AG135346	HOSE KIT-AUX CIRCUIT	5-42
AG135347	HOSE KIT-DRIVE CIRCUIT	5-43
AG135349	HYD. TANK INSTL	5-44
AG135350	TANK ASM-HYD 60 GAL	5-45
AG134397	MANIFOLD-RETURN,2 FILTERS	5-46
503531D1	HOSE KIT-TRACK ADJ CIRCUIT	5-47
503532D1	HYD COMPONENT INSTL-HYD TRACK	5-48

SECTION 6 - AIR SYSTEM GROUP

AG236808	GAUGE ASM-AIR PRESS	6-1
AG239703	REGULATOR ASM-PRESSURE	6-2
AG123971	OPTION-AIR DRYER GROUP	6-3
AG520964	DRYER-AIR,SINGLE CANISTER	6-5
AG125078	SOLENOID-RWK,EXH BRAKE	6-6
AG132293	AIR SYSTEM INSTL	6-7

1074C ROGATOR CHASSIS 2006

SECTION 7 - CAB GROUP

AG122546	MIRROR INSTALLATION	7-1
AG136181	CTRL INSTL-THROTTLE/BM SECT	7-2
AG128220	AIR CON & HEATER DUCTS	7-3
AG128221	A/C,HTR HOUSING & FLTRS,LOWER	7-4
AG128222	A/C HTR & AIR SEAT WIRING	7-5
AG128223	A/C & HTR HOUSING,UPPER	7-6
AG128225	A/C SYSTEM-WATER VALVE ASM	7-7
AG128226	AIR SEAT SUSPENSION KITS	7-8
AG128229	ARMREST CONTROL PANEL	7-9
AG128230	ARMREST WIRING HARNESS	7-10
AG128231	ARMREST W/GLOVE BOX, RH	7-11
AG128232	CAB AIR FILTER & HOUSING	7-12
AG128233	CAB SOUND DEADENING,FOAM &SEAL	7-13
AG128234	CAB GLASS & DOOR	7-14
AG128235	CAB INTERIOR TRIM PANELS	7-15
AG128236	CAB PANELS & FLOOR MAT	7-16
AG128237	CAB ROOF LIGHTS	7-17
AG128238	CAB SEAT HEIGHT ADJUSTER	7-18
AG128243	OPERATORS EAT & BACKREST	7-19
AG128246	SEAT ADJ FORE & AFT	7-20
AG128239	CAB WIRING HARNESS	7-21
AG128242	HORN ASSEMBLY	7-22
AG128244	OVERHEAD CONSOLE PANEL	7-23
AG128245	RADIO, SPEAKER & ANTENNA	7-24
AG128247	SEAT SHROUDS & TRAINING SEAT	7-25
AG128248	STEERING COLUMN & WIRING HARN	7-26
AG128271	WINDSHIELD WASHER	7-27
AG128272	WINDHSIELD WIPER (SHORT)	7-28
AG128214	STEERING COLUMN (LOWER)	7-29
AG128215	STEERING COLUMN (UPPER)	7-30
AG120953	ADJ AIR RIDE CAB MTNG	7-31
AG121887	SUSPENSION-CAB,AIR ADJUSTABE	7-32
AG121937	CTRL INSTL-THROTTLE/CAB RIDE	7-33
AG121967	PANEL ASM-LH POST	7-34
AG121969	INDICATOR ASM-PANEL,YELLOW	7-35
AG235002	INDICATOR ASM PANEL LAMP	7-36
AG121968	PANEL ASM-RH POST	7-37
AG263297	LIGHT ASM-INDICATOR,GREEN	7-38
AG121974	STEERING COLUMN RWK	7-39
AG420127	HARNESS RWK-STEERING COLUMN	7-40
AG122043	CIRCUIT BOARD ASM-ARMREST	7-41
AG122049	GAUGE PANEL INSTL-LH	7-42
AG122050	GAUGE PANEL INSTL-RH	7-43
AG122262	HANDRAIL INSTL-CAB	7-44
AG124711	PEDAL ASM-BRAKE	7-45
AG124713	PANEL INSTL-FLOOR	7-46
AG130492	ADJ AIR RIDE CAB MOUNTING "C"	7-47
AG239898	BUSHING ASM-PIVOT	7-48
AG134381	BRKT-WLDMT,HYDRO CONTROL,"C"	7-49
AG136179	CAB ASM-FINAL,8/10/X4	7-50
AG136180	CAB ASM-8/10X4	7-51

1074C ROGATOR CHASSIS 2006

AG328732	PLUG INSTL-PASSENGER SEAT	7-52
AG136196	ELECT INSTL-ARMREST,8/10X4	7-53
AG137292	CAB/INTERIOR ROOF	7-54
AG217181	CABLE ASM	7-55
503561D1	CAB INSTL-ADJ AIR RIDE	7-56

SECTION 8 - AIR CONDITIONING AND HEATING GROUP

AG121579	A/C INSTL GROUP	8-1
AG519278	RECEIVER DEHYDRATOR	8-2
AG262906	SWITCH ASM-A/C,HIGH PRESS	8-3
AG322494	PRT HOSE I NSTL CAB A/C	8-4

SECTION 9 - ELECTRICAL GROUP

AG327247	LAMP-WARNING,AMBER	9-1
AG121868	SWITCHBOX ASM-BOOM CTRL,8/1064	9-2
AG122054	BATTERY-INSTALL	9-3
AG232490	SUPPRESSOR DIODE	9-5
AG123978	ELECTRICAL INSTALL-CAB	9-6
AG124865	FUSE BLOCK INSTL	9-7
AG124451	MODULE-POWER DIST,11 FUSE	9-8
AG124452	MODULE-POWER DIST,HI CURRENT	9-9
AG233356	HARNESS POWER	9-10
503530D1	ELECT INSTL-HYD TRACK	9-11
504408D1	HARNESS INSTL-CHASSIS 1074C	9-12
506051D1	HARNESS INSTL-CHASSIS 1074C	9-13
505375D1	INSTL-FUSE BLOCK,RG	9-14
505376D1	INSTL-FLASHER, DOM	9-15
505700D1	INSTL-FUSE,NON DOM	9-16
505379D1	HARNESS INSTL-CHASSIS 1074C-NON DOM	9-17
505377D1	INSTL-FLASHER, NON DOM	9-18
505560D1	INSTL-ELEC, BACKUP ALARM	9-19

SECTION 10 - APPEARANCE GROUP

AG121586	CABINET ASM	10-1
AG123902	BARRIER-RECIRC INSTL	10-2
AG125228	FIREWALL/GAUGE PANEL INSTL	10-3
AG125229	GAUGE ASM-PANEL,4 HOLE	10-4
AG127227	HOOD/BUMPER INSTL	10-5
AG127228	ASSEMBLY-HOOD,ROGATOR	10-6
AG121901	HOOD-ENGINE,ROGATOR	10-7
AG132273	PLATFORM INSTL-ENTRANCE	10-8
AG132274	LADDER ASM-ENTRANCE	10-9
AG325049	CABINET ASM-TOOL BOX,LH	10-10
AG325050	CABINET ASM-TOOL BOX,RH	10-11
AG130027	BRKT WLDMT-PLATFORM & FUEL RES	10-12

SECTION 11 - TIRE AND WHEEL GROUP

1074C ROGATOR CHASSIS 2006

AG122481	OPTION-TIRE,TTN 380/90R46,10ST	11-1
AG122482	TIRE/RIM ASM-380/90R46,RH,BB6	11-2
AG122483	RIM/TIRE ASM-380/90R46,LH,BB6	11-3
AG122485	OPTION-TIRE,TTN 14.9R46,RIS	11-4
AG122486	TIRE/RIM ASM-14.9R46,RIS,RH	11-5
AG122487	TIRE/RIM ASM-14.9R46,RIS,LH	11-6
AG123980	HARDWARE INSTL-WHEEL	11-7
AG124708	PLATE INSTL-COVER,WHEEL LEG	11-8
AG325649	DEFLECTOR ASM-CROP,LH	11-9
AG325650	DEFLECTOR ASM-CROP,RH	11-10
AG125232	OPTION-TIRE,23.1 R30,TITAN	11-11
AG125813	TIRE/RIM ASM-23.1R30,RH,BB6	11-12
AG125814	TIRE/RIM ASM-23.1R30,LH BB6	11-13
AG127707	OPTION TIRE 320/90R50 7.64OFS	11-14
AG127708	TIRE/RIM ASM-320/90R50,LH,7.64	11-15
AG127709	TIRE/RIM ASM-320/90R50,RH,7.64	11-16
AG133235	RIM/TIRE ASM-480/80R42,2.89,LH	11-17
AG133236	RIM/TIRE ASM-480/80R42,2.89,RH	11-18
AG133238	OPTION-TIRE,480/80 R42,R1,2.89	11-19

SECTION 12 - DECAL GROUP

AG134389	DECAL INSTL,1074C CHASSIS	12-1
AG322511	DECAL INSTL - ARMREST	12-2

SECTION 13 - GUIDENCE GROUP

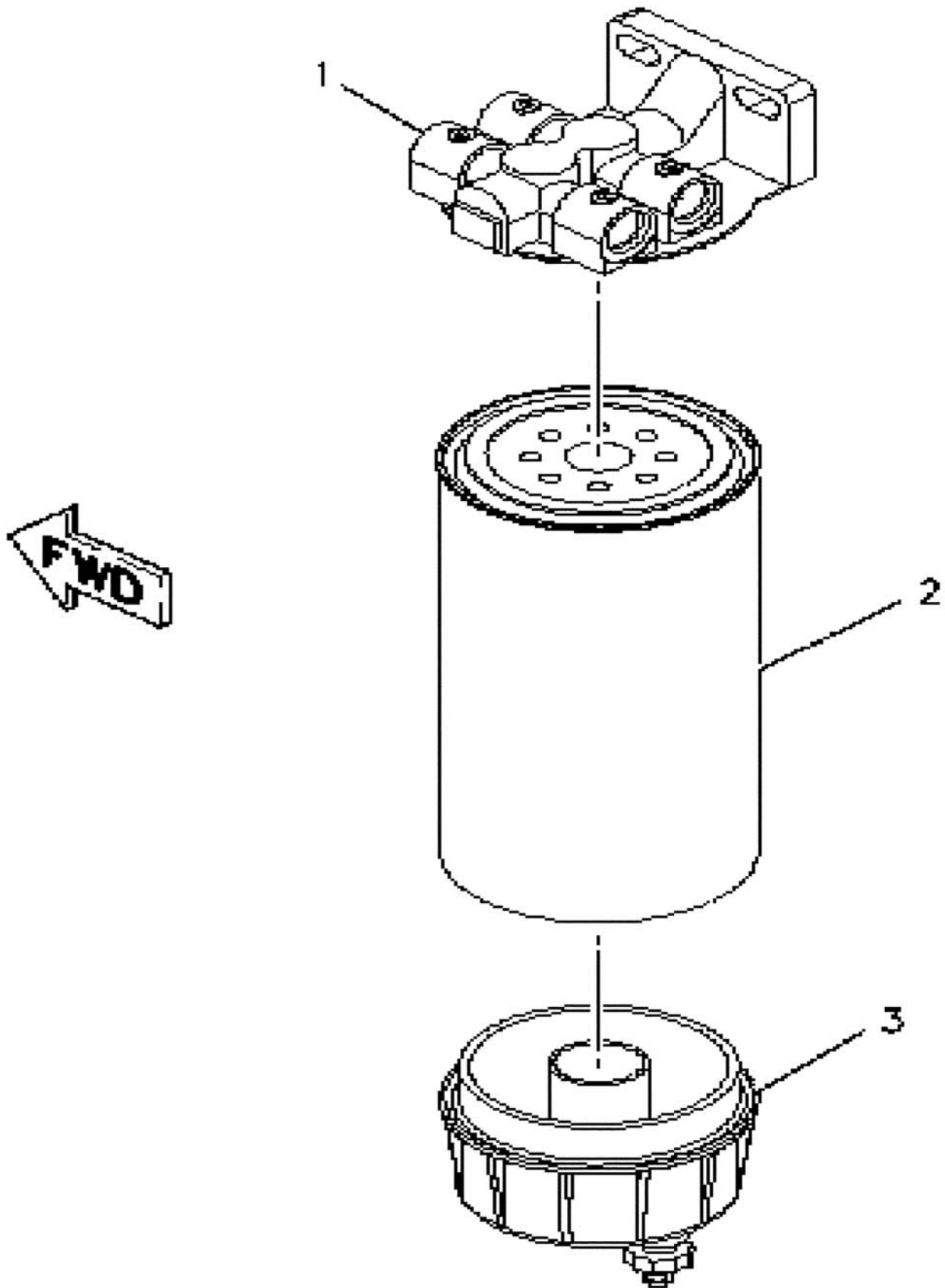
AG121869	CAB ASM-CONT,RVN 661	13-1
AG121871	CONTROLLER INSTL-OVERHEAD,RVN	13-2
AG121874	COMPONENT INSTL-FLCN II	13-3
AG121875	MONITOR/SERVER INSTL-FLCN II	13-4
AG121933	KEYBOARD INSTL-FLCN II	13-5
AG122966	PANEL ASM-PWR,FLCN II	13-6
AG326992	KEYBOARD ASM-FLCNII	13-7
AG122317	KEYBOARD ASM-FLCN II	13-8
AG122142	CONT INSTL-COLUMN MTG,RVN 661	13-9
AG123018	ANTENNA/RCVR INSTL-STRLNK	13-10
AG131416	CONT INSTL-VIPER	13-11
AG131417	NODE INSTL-VIPER,RADAR	13-12
AG132162	CONT INSTL-RVN 4000	13-13
AG133891	TERMINAL KIT	13-14
AG133992	VIU KIT	13-15
AG134847	HARN INSTL-AUTOGUIDE,8/1074	13-16
AG424291	LIGHTBAR INSTL-,RG 854	13-17
AG424292	REMOTE BOX/CABLE INSTL-ROGATOR	13-18
AG425291	CONT INSTL-OFFSET MTG,RVN661	13-19
AG320861	BOX ASM RAVEN LAMP INDICATOR	13-20
AG134179	INSTL-HYD VALV-VIU	13-21
AG134744	INSTL-TOPDOCK,CAB	13-22
AG135121	INSTL-WHEEL ANGLE SENSOR	13-23
503604D1	HYD INSTL-AUTOGUIDE,1074C	13-24
AG134757	BRKT INSTL-TERMAINAL	13-25

1074C ROGATOR CHASSIS 2006

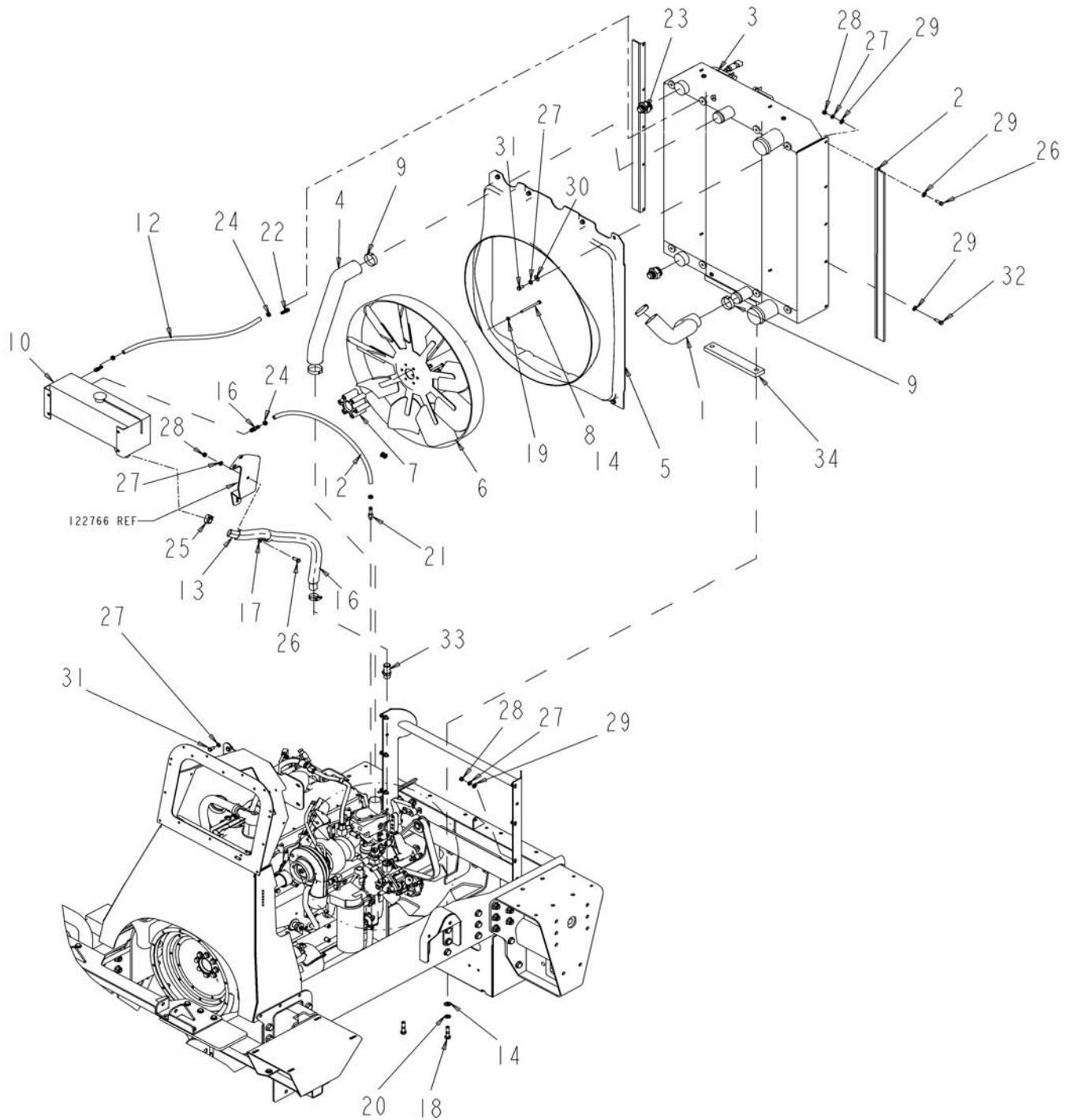
AG129525	AUTO-GUIDE TOP DOCK	13-26
AG134015	RADIO KIT-AUTO-GUIDE	13-27

SECTION 14 - OPTIONS GROUP

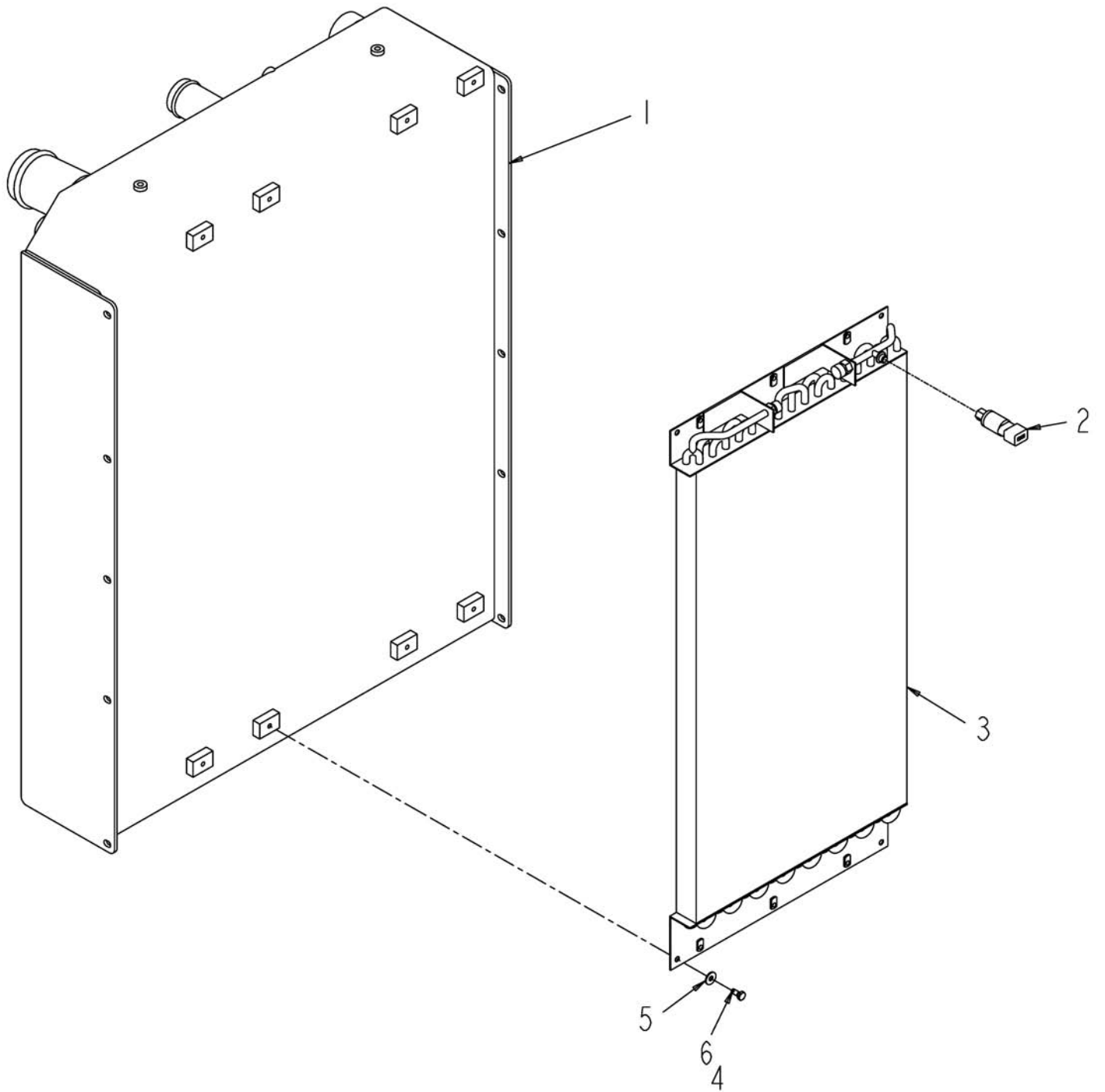
AG120873	OPT-PRESSURE WASHER	14-1
AG122079	PUMP & MOTOR ASM-WASHER,PRESS	14-2
AG502076	REEL ASM-PRESSURE WASHER	14-3
AG120910	BOOMREST INSTL	14-4
506005D1	NON-DOMESTIC GROUP 8/10XX	14-5
506034D1	BOOM REST INSTL	14-6
506683D1	BOOMREST INSTL-120FT	14-7
AG423766	PUMP & MOTOR-WASHER,PRESSURE	14-8
AG124709	DEFLECTOR INSTL-CROP	14-9
AG124728	INSTL-HEATER,HYD TANK	14-10
AG124729	INSTL-TIMER,PC,PUMP	14-11
AG125145	INSTL-BATTERY,THIRD,COLD START	14-12
AG125386	ELEC INSTL-4 WHEEL STEER	14-13
AG125819	VALVE,HYD,4X4 STEER,W/CHECK	14-14
AG127221	OPTION FENDERS	14-15
AG132597	RADAR GROUP	14-16
AG425265	TIEDOWN INSTL-ROGATOR	14-17



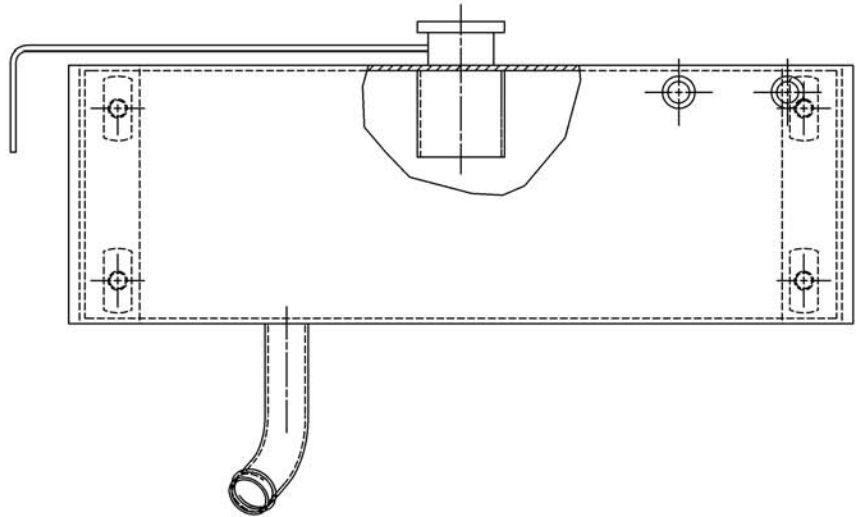
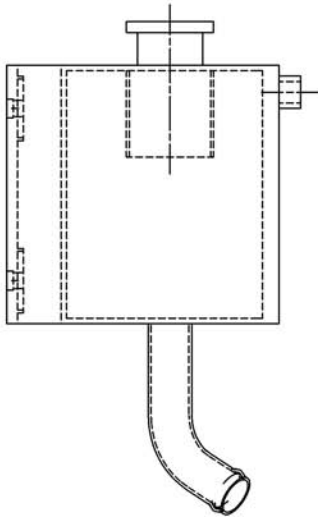
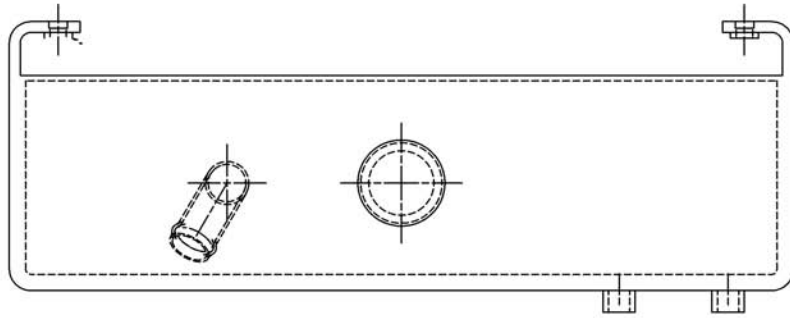
ITEM	PART #	QTY	DESCRIPTION	COMMENTS
REF	AG132926	1	KIT, SEALS FILTER	
2	AG121851	1	FILTER-FUEL/WATER SEP,CAT	
3	AG132925	1	BOWL, FILTER	
	FOOTNOTE:		FOR REPLACEMENT ELEMENT USE AG121851	



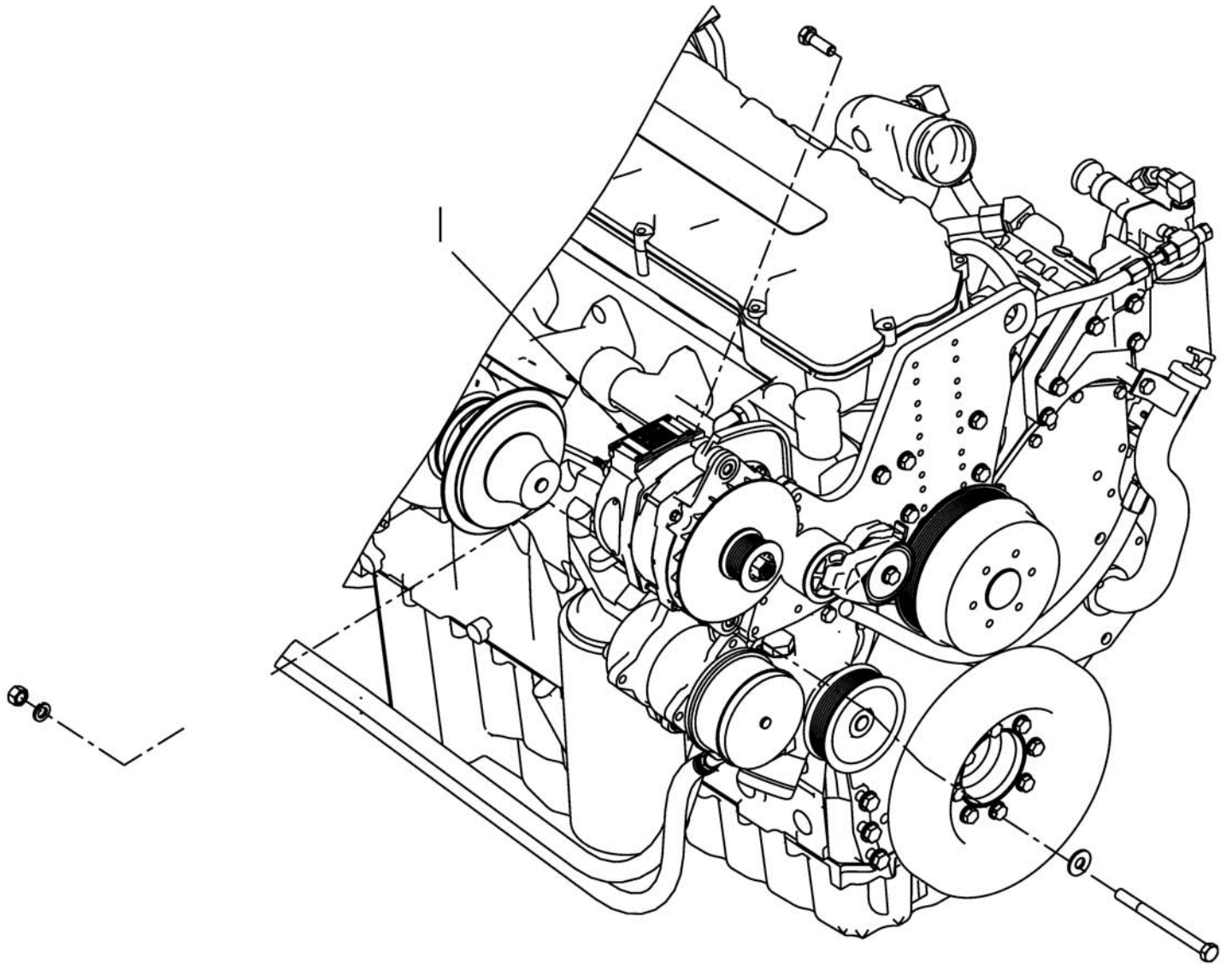
ITEM	PART #	QTY	DESCRIPTION	COMMENTS
1	AG121548	1	HOSE, RADIATOR,LOWER,864	
2	AG121911	2	SEAL-BRUSH,RADIATOR	
3	AG122809	1	COOLER ASM	SEE PAGE 1-3
4	AG122810	1	HOSE,RADIATOR,UPPER,250HP	
5	AG124338	1	SHROUD-FAN,BW 704RF	
6	AG124726	1	FAN-COOLING,BORG WARNER 704RF	
7	AG124733	1	SPACER-FAN,3.50	
8	AG124734	6	BOLT-M8X1.25X100,HHCS,ZN/Y,10.	
9	AG125817	4	CLAMP-HOSE,HIGH TORQUE,2.75	
10	AG327703	1	TANK-DEAERATION	SEE PAGE 1-4
11	AG510939	-	HOSE HYD 0.37 BULK 250PSI WP [BULK: 5.250 FT]	
12	AG511528	-	HOSE 1.00 2BRD EPDM [BULK: 2.500 FT]	
13	AG512885	AR	LOCTITE ADHESIVE SEALANT BLUE	
14	AG514554	2	WASHER-FL,.50,ZN,G8,REG	
15	AG519495	-	SLEEVE NYLON PROTECTIVE -16 [BULK: 2.334 FT]	[A]
16	AG521351	1	HOSE BARB 0.25NPTX.38HOSEW/ORF	
17	AG523412	1	CLAMP-1.62 DIA,COATED HOSE	
18	AG550132	2	BOLT .50-13NCX 2 G5 ZN HHD	
19	AG550205	6	WASHER LK 0.31 ZN REG	
20	AG550264	2	WASHER 0.50 LK ZN REG	
21	AG555398	1	HOSE BARB 0.38NPTX0.38HOSE STL	
22	AG559415	2	ADAPTER -4FP X -6HB	
23	AG560766	2	ADAP STR -20MBX-16MJ	
24	AG561025	4	CLAMP HOSE .218 TO .625 U5S	
25	AG561213	2	CLAMP 0.81-1.50 HOSE 16HS	
26	AG562048	5	BOLT 0.37-16NCX 1.00 S.S. HHD	
27	AG562050	23	WASHER LK 0.37 SS REG	
28	AG562065	11	NUT 0.37-16NC HEX SS REG	
29	AG562072	20	WASHER 0.37 FL SS SAE	
30	AG562073	8	WASHER FL 0.37 SS REG	
31	AG562120	12	BOLT 0.37-16NCX 0.75 S.S. HHD	
32	AG604167	6	BOLT 0.37-16NCX 1.25 S.S. HHD	
33	6715715	1	FITTING-STR BEADED	
34	505002D1	1	SPACER-COOLER MOUNT	
	FOOTNOTE [A]		3/4 INCH IS AG519494	
	FOOTNOTE [A]		1/2 INCH IS AG520328	
	FOOTNOTE [A]		1/4 TO 3/8 INCH IS AG520251	



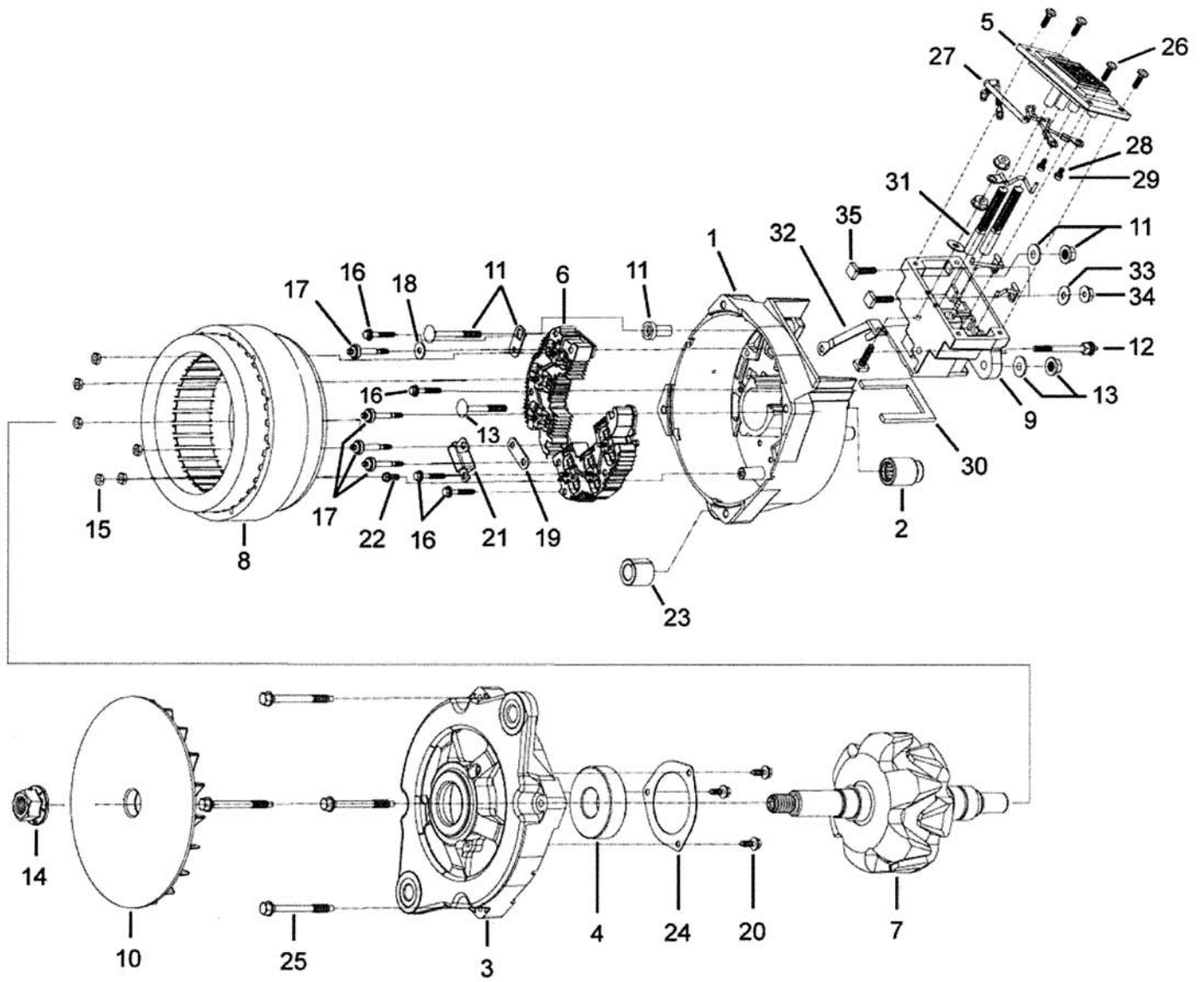
ITEM	PART #	QTY	DESCRIPTION	COMMENTS
1	AG129870	1	COOLING ASM-RAD/CAC/HOC	
2	AG262906	1	SWITCH ASM-A/C,HIGH PRESS	SEE PAGE 8-3
3	AG423598	1	CONDENSER-AIR COND	
4	AG512885	AR	LOCTITE ADHESIVE SEALANT BLUE	
5	AG550507	4	WASHER FL 0.25 ZN REG TYPE-B	
6	AG563099	4	BOLT 0.25-20NCX 0.62 SS HHD	



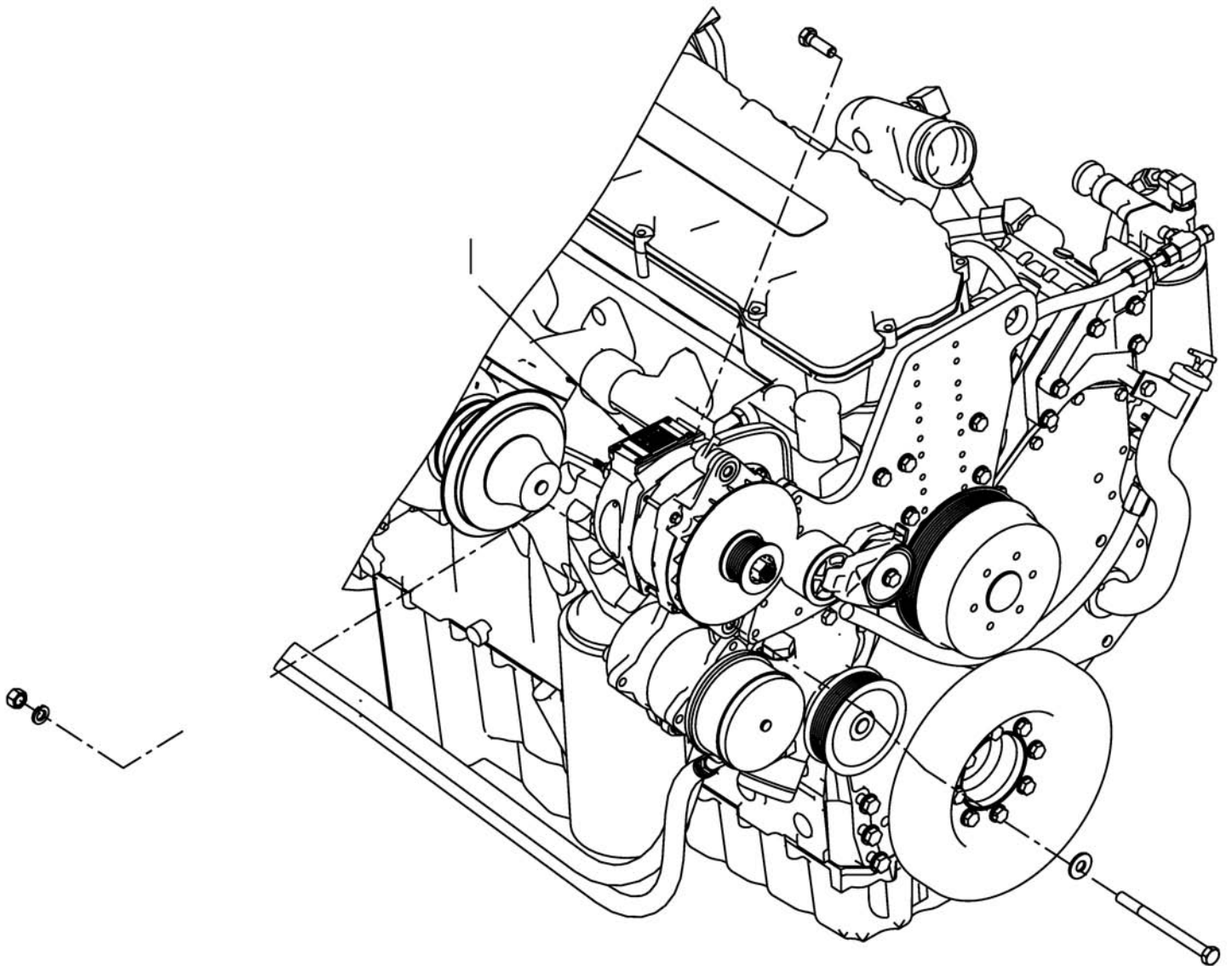
ITEM	PART #	QTY	DESCRIPTION	COMMENTS
REF	AG724582 FOOTNOTE:	1	CAP LARGE RADIATOR 324151 AG724582 - 15 PSI CAP	



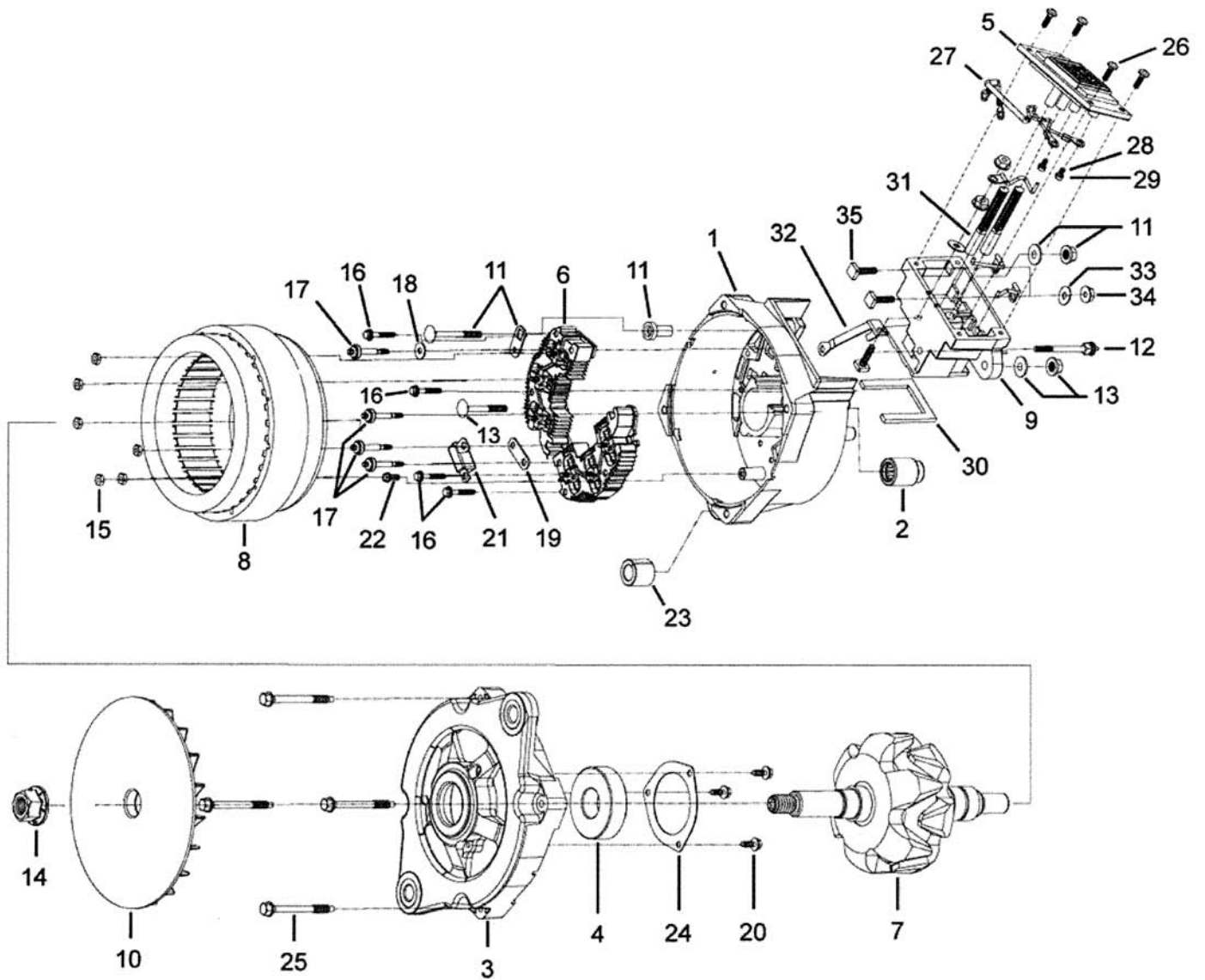
ITEM	PART #	QTY	DESCRIPTION	COMMENTS
1	AG522554	1	ALTERNATOR-160 AMP	SEE PAGE 1-6



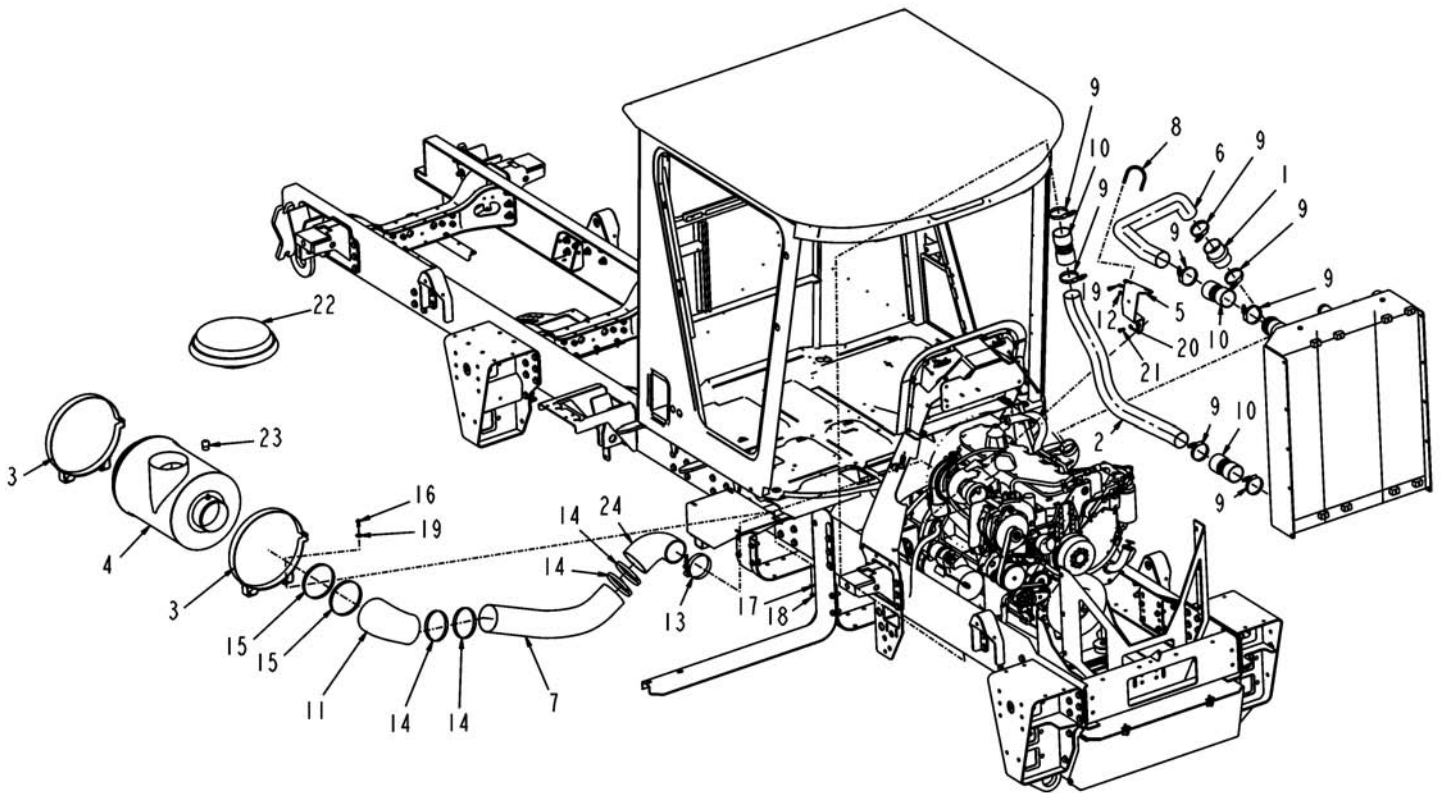
ITEM	PART #	QTY	DESCRIPTION	COMMENTS
1	AG727508	1	HOUSING/ALTERNATIO 160/200	
2	AG727509	1	BEARING/HOUSING END,ALT	
3	AG727510	1	FRAME/ALTERNATOR 160/200	
4	AG727511	1	BEARING/BALL,ASSY	
5	AG727512	1	REGULATOR/ALTERNATOR,160/200	
6	AG727513	1	REDTIFIER/BRIDGE,ALTERNATOR	
7	AG727514	1	ROTOR/ASM,ALTERNATOR	
8	AG727515	1	STATOR/ASM,ALTERNATOR	
10	AG727517	1	FAN/ALTERNATOR 160/200	
11	AG727518	1	TERMINAL/POSTIVE,ALTERNATOR	
12	AG727519	1	TERMINAL/RELAY,ALT SERV PKG	
13	AG727520	1	TERMINAL/NEGATIVE,ALT	
14	AG727521	1	NUT/SHAFT,ALTERNATOR 160/200	
15	AG550922	6	NUT 8-32NC HEX ZN REG	
16	AG727522	4	SCREW/ASM.ALT GRND	
17	AG727523	4	SCREW/ASM ALT.INSL	
19	AG727524	1	CONNECTOR/ALT REC.BRDG.	
21	AG727526	1	CAPACITOR/ALTERNATOR,160/200	
22	AG727527	1	SCREW/CAPACITOR,ALTERNATOR	
23	AG727528	1	BUSHING/ALTERNATOR 160/200	
24	AG727529	1	PLATE/RETAINER,D.E.BEARING	
25	AG727530	4	BOLT/HOUSING,ALTERNTOR	
26	AG727531	4	SCREW/ASM.REGULATOR	
27	AG727532	1	LEAD/ASM REG.TO RECTIFIER	
31	AG727533	1	ALTERNATOR/SERVICE PACKAGE	
32	AG727535	1	CONNECTOR/ALTERNATOR	
	FOOTNOTE:		ITEMS 9,30,33,34, AND 35 CANNAOOT BE PURCHASED SEPERATELY BUT ARE INCLUDES WITH ITEM 31	



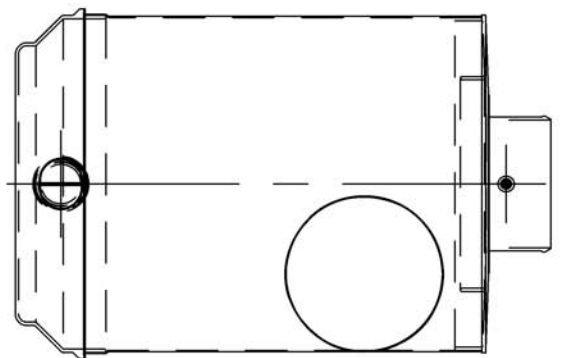
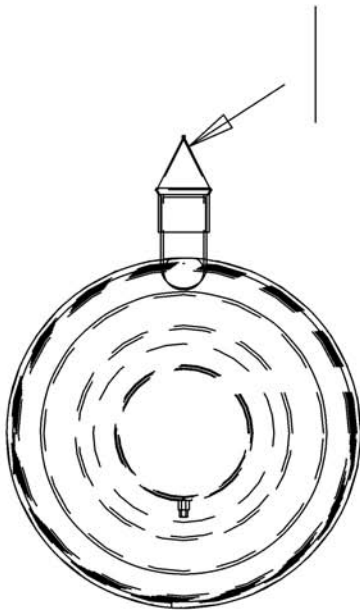
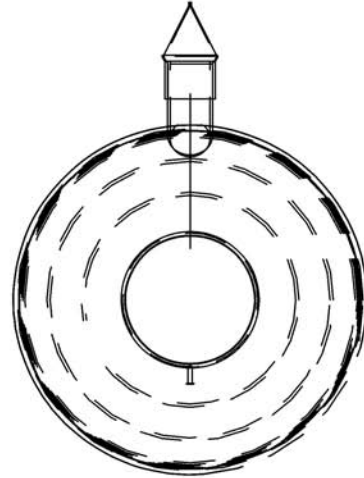
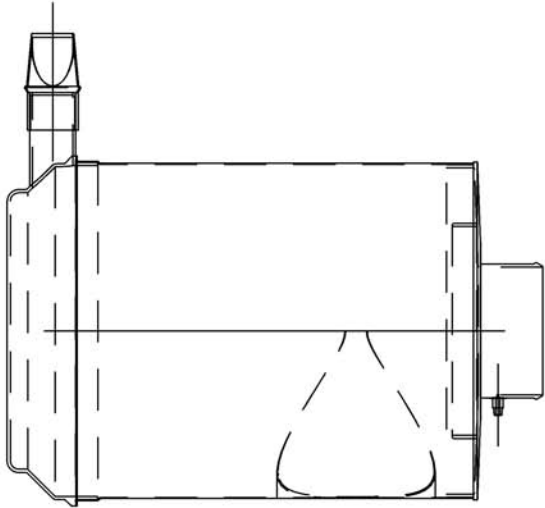
ITEM	PART #	QTY	DESCRIPTION	COMMENTS
1	AG522555	1	ALTERNATOR-200 AMP	SEE PAGE 1-8



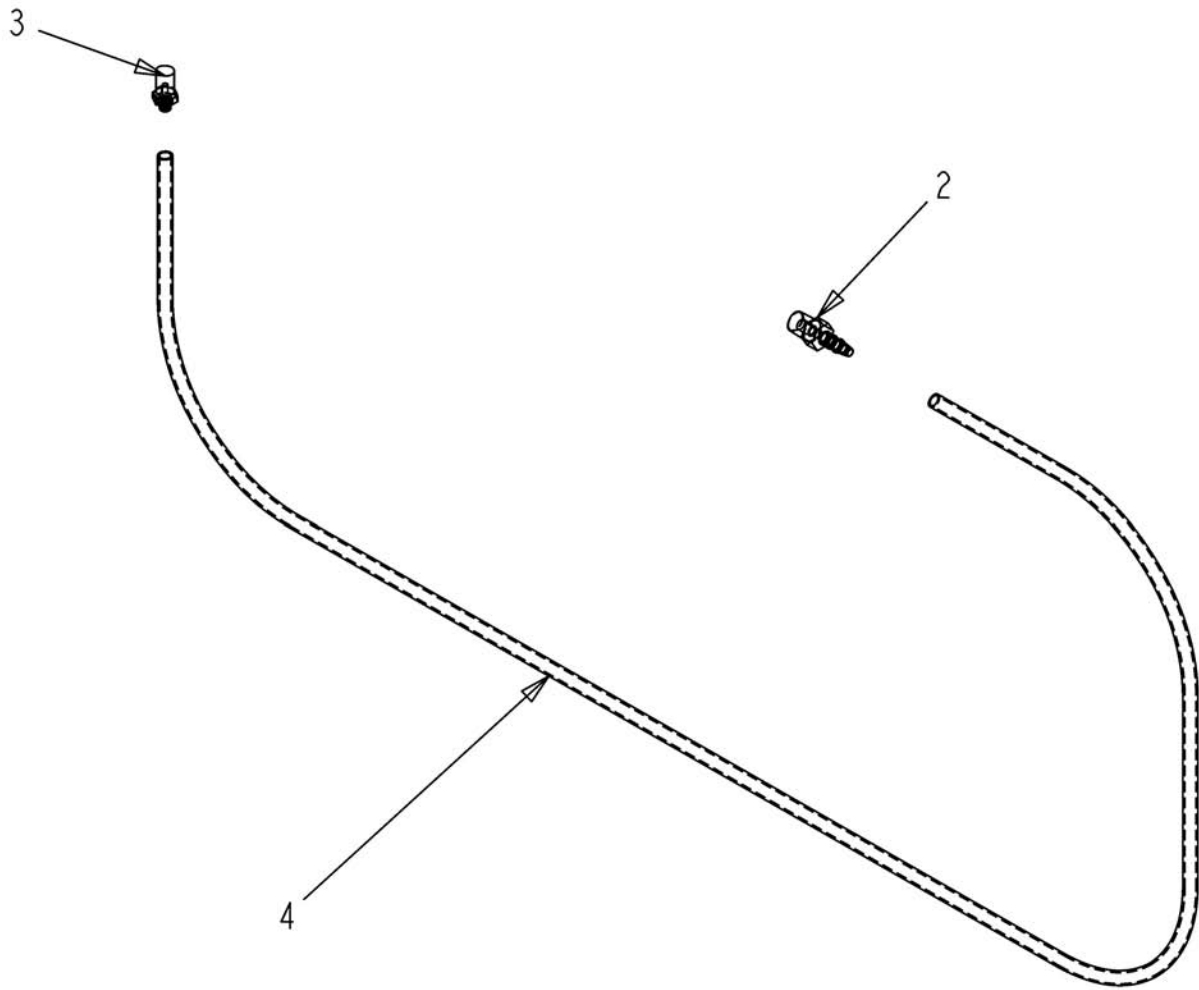
ITEM	PART #	QTY	DESCRIPTION	COMMENTS
1	AG727508	1	HOUSING/ALTERNATIO 160/200	
2	AG727509	1	BEARING/HOUSING END,ALT	
3	AG727510	1	FRAME/ALTERNATOR 160/200	
4	AG727511	1	BEARING/BALL,ASSY	
5	AG727512	1	REGULATOR/ALTERNATOR,160/200	
6	AG727513	1	REDTIFIER/BRIDGE,ALTERNATOR	
7	AG727514	1	ROTOR/ASM,ALTERNATOR	
8	AG727515	1	STATOR/ASM,ALTERNATOR	
10	AG727517	1	FAN/ALTERNATOR 160/200	
11	AG727518	1	TERMINAL/POSTIVE,ALTERNATOR	
12	AG727519	1	TERMINAL/RELAY,ALT SERV PKG	
13	AG727520	1	TERMINAL/NEGATIVE,ALT	
14	AG727521	1	NUT/SHAFT,ALTERNATOR 160/200	
15	AG550922	6	NUT 8-32NC HEX ZN REG	
16	AG727522	4	SCREW/ASM.ALT GRND	
17	AG727523	4	SCREW/ASM ALT.INSL	
19	AG727524	1	CONNECTOR/ALT REC.BRDG.	
21	AG727526	1	CAPACITOR/ALTERNATOR,160/200	
22	AG727527	1	SCREW/CAPACITOR,ALTERNATOR	
23	AG727528	1	BUSHING/ALTERNATOR 160/200	
24	AG727529	1	PLATE/RETAINER,D.E.BEARING	
25	AG727530	4	BOLT/HOUSING,ALTERNTOR	
26	AG727531	4	SCREW/ASM.REGULATOR	
27	AG727532	1	LEAD/ASM REG.TO RECTIFIER	
31	AG727533	1	ALTERNATOR/SERVICE PACKAGE	
32	AG727535	1	CONNECTOR/ALTERNATOR	
	FOOTNOTE:		ITEMS 9,30,33,34, AND 35 CANNAOT BE PURCHASED SEPERATELY BUT ARE INCLUDES WITH ITEM 31	



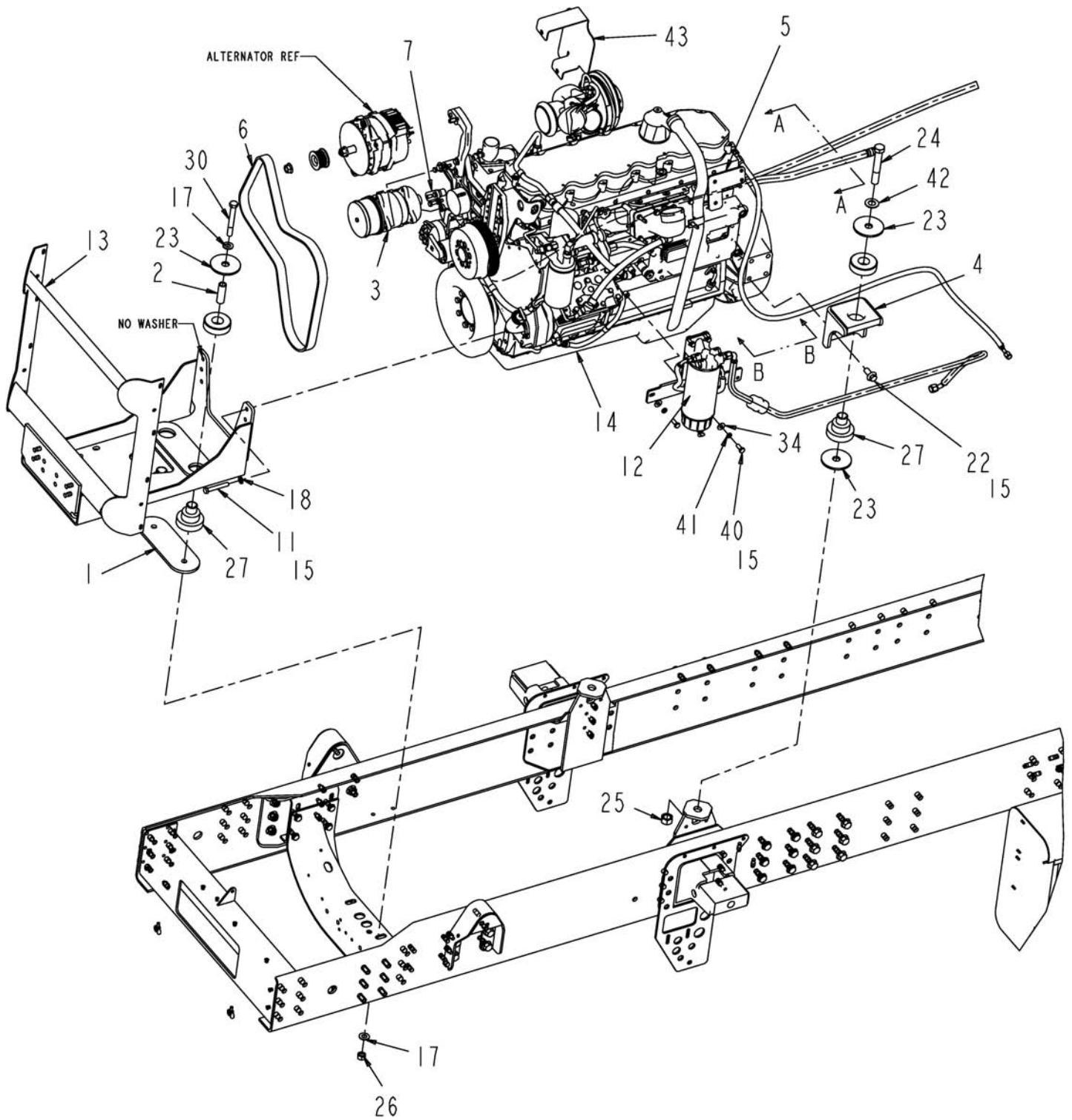
ITEM	PART #	QTY	DESCRIPTION	COMMENTS
1	AG121551	1	HUMP HOSE,3 X 4.38	
2	AG122211	1	TUBE-CHARGE AIR, LOWER	
3	AG122213	2	BAND-MTG,AIR CLNR 15.00 DIA	
4	AG122214	1	AIR CLEANER-15.00 DIA	SEE PAGE 1-10
5	AG122766	1	BRKT-SUPPORT,CHARGE AIR TUBE	
6	AG123924	1	TUBE-CHARGE AIR,UPPER	
7	AG125212	1	TUBE-INTAKE	
8	AG212653	1	BOLT-U .38-16X3.12X 3.56RD HR	
9	AG519741	8	CLAMP HOSE 2.75 DIA	
10	AG520209	3	HOSE-3.00 ID,AIR COOLER	
11	AG521173	1	ELBOW-REDUCER,6X5X90D,RUBBER	
12	AG557676	2	NUT 0.37-16NC HEX ZN C-LK	
13	AG561216	1	CLAMP T-BOLT 4.47-4.78 HOSE SS	
14	AG561240	4	CLAMP 5.12-6.00 HOSE 88HS	
15	AG561253	2	CLAMP 6.12-7.00 HOSE 104HS	
16	AG562048	4	BOLT 0.37-16NCX 1.00 S.S. HHD	
17	AG562050	4	WASHER LK 0.37 SS REG	
18	AG562065	4	NUT 0.37-16NC HEX SS REG	
19	AG562073	6	WASHER FL 0.37 SS REG	
20	AG562271	1	WASHER M10 LK ZN REG	
21	AG562463	1	BOLT M10-1.50X 20MM G8.8 ZN HH	
22	AG600849	1	HOOD AIR INLET W/CLAMP B	
23	AG600857	1	INDICATOR SERVICE (25 H20) (P)	
24	AG606808	1	ELBOW 90D 5.00 TO 4.00	



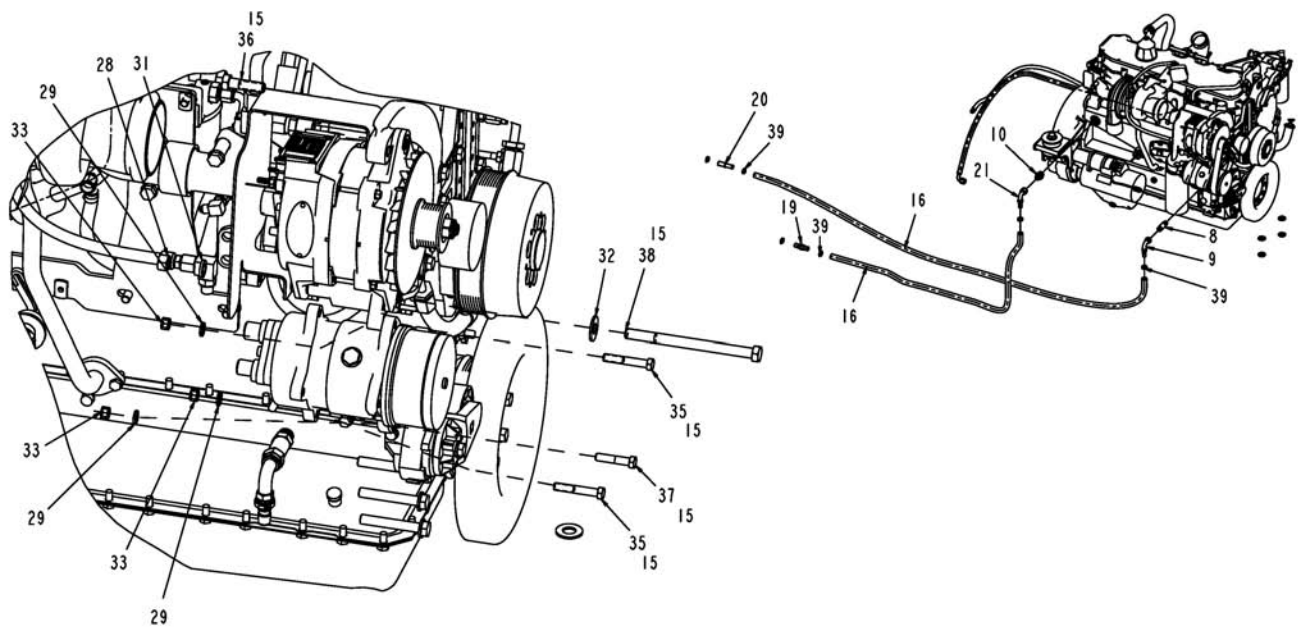
ITEM	PART #	QTY	DESCRIPTION	COMMENTS
REF	AG122230	1	FILTER,PRIMARY,AIR 15 FT	
REF	AG122231	1	FILTER,SAFETY,AIR,15 IN	
1	AG610420	-	VALVE-VACUATOR (522580)	[A]
	FOOTNOTE [A]		BELOW SN-8532659 USE AG605391, SN-8532659 AND ABOVE USE AG610420	
	FOOTNOTE:		AG122230 - PRIMARY AIR FILTER	
	FOOTNOTE:		AG122231 - SECONDARY (SAFETY) AIR FILTER	
	FOOTNOTE:		AG610420 - VACUATOR VALVE	



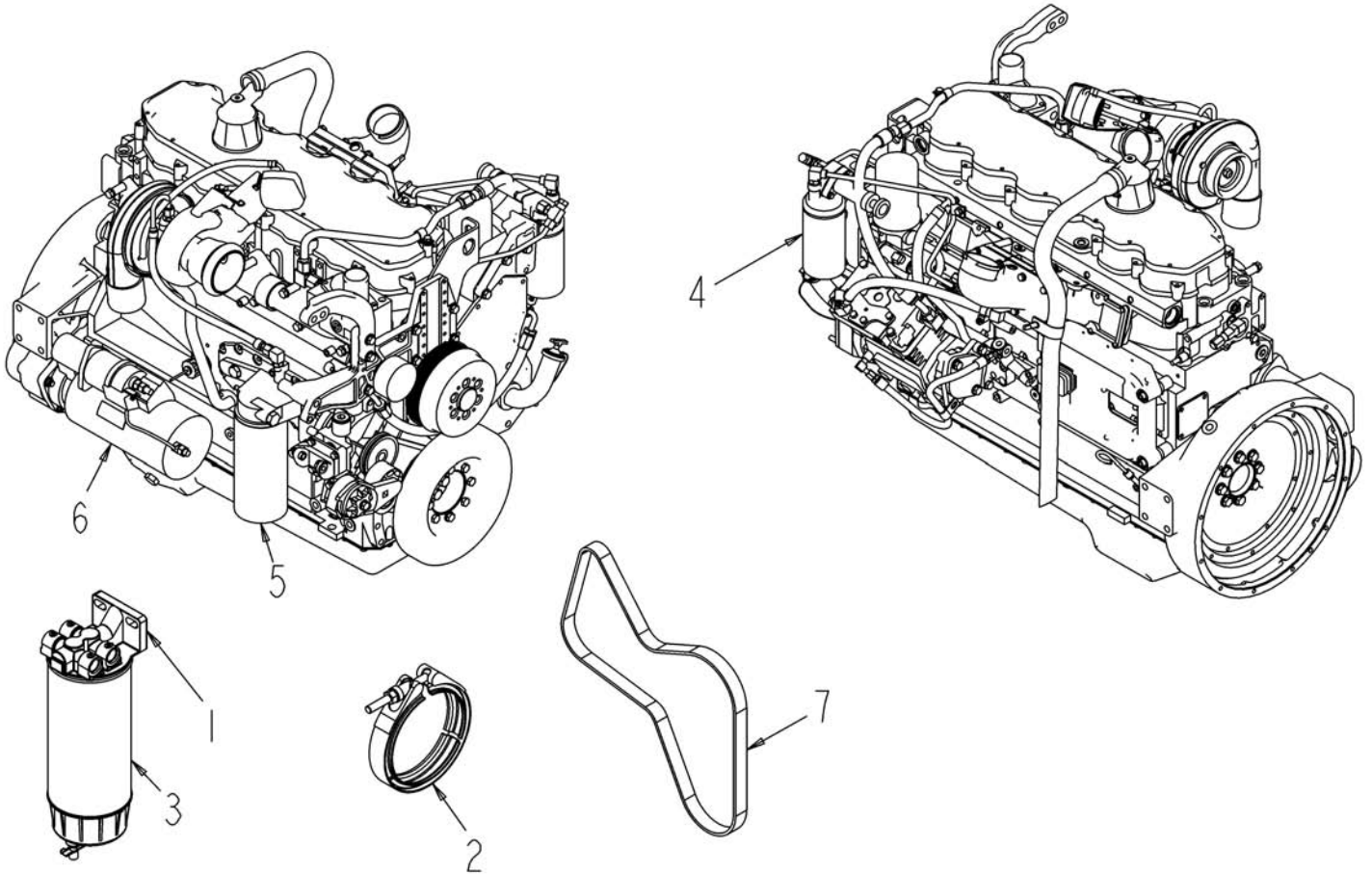
ITEM	PART #	QTY	DESCRIPTION	COMMENTS
1	AG553557	3	TIE CABLE 7.37 .06-1.37 BLACK	
2	AG126396	1	ADAPTR STR 10-32X.125 HOSE BRB	
3	AG126397	1	BREATHER #10-32,PAC BRAKE	
4	AG516193	-	HOSE 0.18IDX0.49OD [BULK: 3.000 FT]	



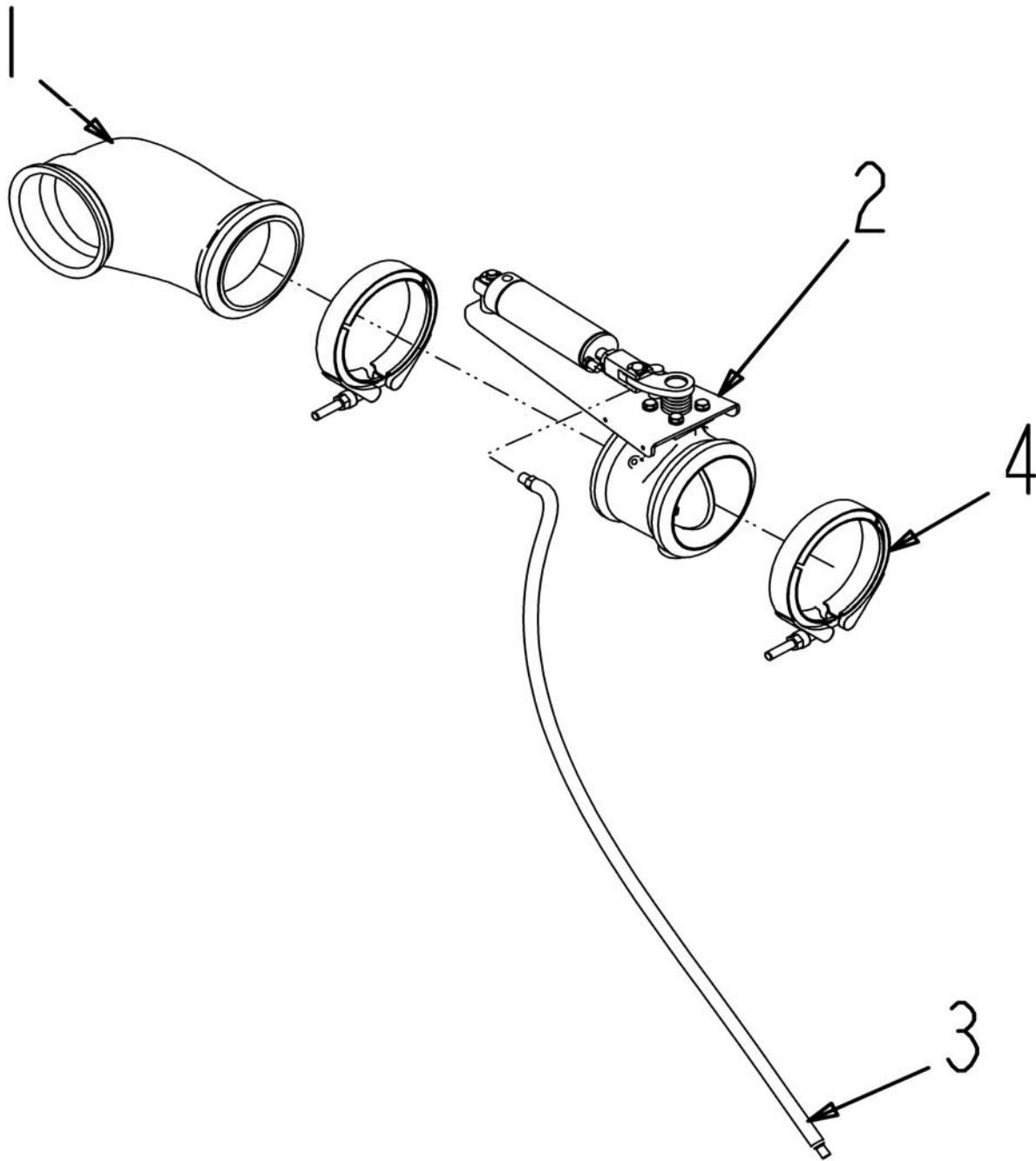
ITEM	PART #	QTY	DESCRIPTION	COMMENTS
1	AG120899	1	FRONT ENGINE MOUNT ISO PAD	
2	AG120912	2	SPACER-ENGINE MOUNT,BOLT	
3	AG120976	1	COMPRESSOR-A/C,R134A,10 GROOVE	
4	AG121839	2	BRACKET,MOUNT-ENGINE REAR	
5	AG121888	1	BRACKET-ENGINE ELEC REMOUNT	
6	AG121891	-	BELT-DRIVE,ENGINE,CAT 3126B	
7	AG122058	1	PAD-FITTING,A/C COMPRESSOR	
8	AG122205	1	ADAPTR-LONG STR -8MB X -8MORFS	
9	AG122206	1	ADAPTR-90D,.5ORFSX5/8 HOSE BRD	
10	AG122207	1	ADAPTR-STR -12MB X -10MJ	
11	AG122222	6	BOLT HEX M12-1.75X80 GR10.9	
12	AG122480	1	INSTL-FUEL LINE 3126B	SEE PAGE 4-1
13	AG125216	1	MOUNT-FRONT ENGINE WLDMT	
14	AG127726	1	ENGINE-CAT 3126B,275HP,INDSTRL	SEE PAGE 1-13
15	AG512885	AR	LOCTITE ADHESIVE SEALANT BLUE	
16	AG513423	-	HOSE 0.62 1BRD EPDM [BULK: 3.334 FT]	
17	AG515180	4	WASHER 0.62 FL ZN REG G8	
18	AG516780	5	WASHER TP-200 FLAT M12 BLACK	
19	AG517800	1	COUPLING HOSE BARB	
20	AG517801	1	COUPLING REDUCER HOSE BARB	
21	AG519394	1	FITTING HOSE FHICS 90D ELBOW	
22	AG520870	8	BOLT-M16-2.0X35,CL10.9,PH,FLG	
23	AG521797	6	WASHER-3.880 OD X .938 ID	
24	AG522710	2	BOLT-.88-9NCX5.50,G8,ZN,HHD	
25	AG522719	2	NUT-.88-9,G8,ZN,H	
26	AG522759	2	NUT-.63-11,G8,ZN,H,C-LK	
27	AG522989	4	MOUNT-RUBBER,2 PIECE	
28	AG550124	1	NUT 0.50-13NC HEX ZN REG	
29	AG550191	3	WASHER LK 0.37 ZN REG	
30	AG550248	2	BOLT 0.62-11NCX 5.00 G8 ZN HHD	
31	AG550264	1	WASHER 0.50 LK ZN REG	
32	AG550353	1	WASHER 0.50 FL ZN REG TYPE-B	
33	AG550825	3	NUT 0.37-16NC HEX ZN REG	
34	AG551007	2	WASHER FL 0.37 ZN REG TYPE-B	
35	AG552127	2	BOLT 0.37-16NCX 2.25 G5 ZN HHD	
36	AG553956	1	BOLT 0.50-13NCX 1.75 G5 ZN HHD	
37	AG558869	1	BOLT 0.37-16NCX 1.75 G5 ZN HHD	
38	AG561203	1	BOLT 0.50-13NCX 6.50 G5 ZN HHD	
39	AG561215	6	CLAMP 0.50-0.91 HOSE 8HS	
40	AG561683	2	BOLT M10-1.5 X 25MM G8.8 ZN HH	
41	AG562271	2	WASHER M10 LK ZN REG	
42	AG606258	2	WASHER 1.75ODX0.93ID G8 ZN	
43	508211D1	1	SHIELD-HEAT,ALT	



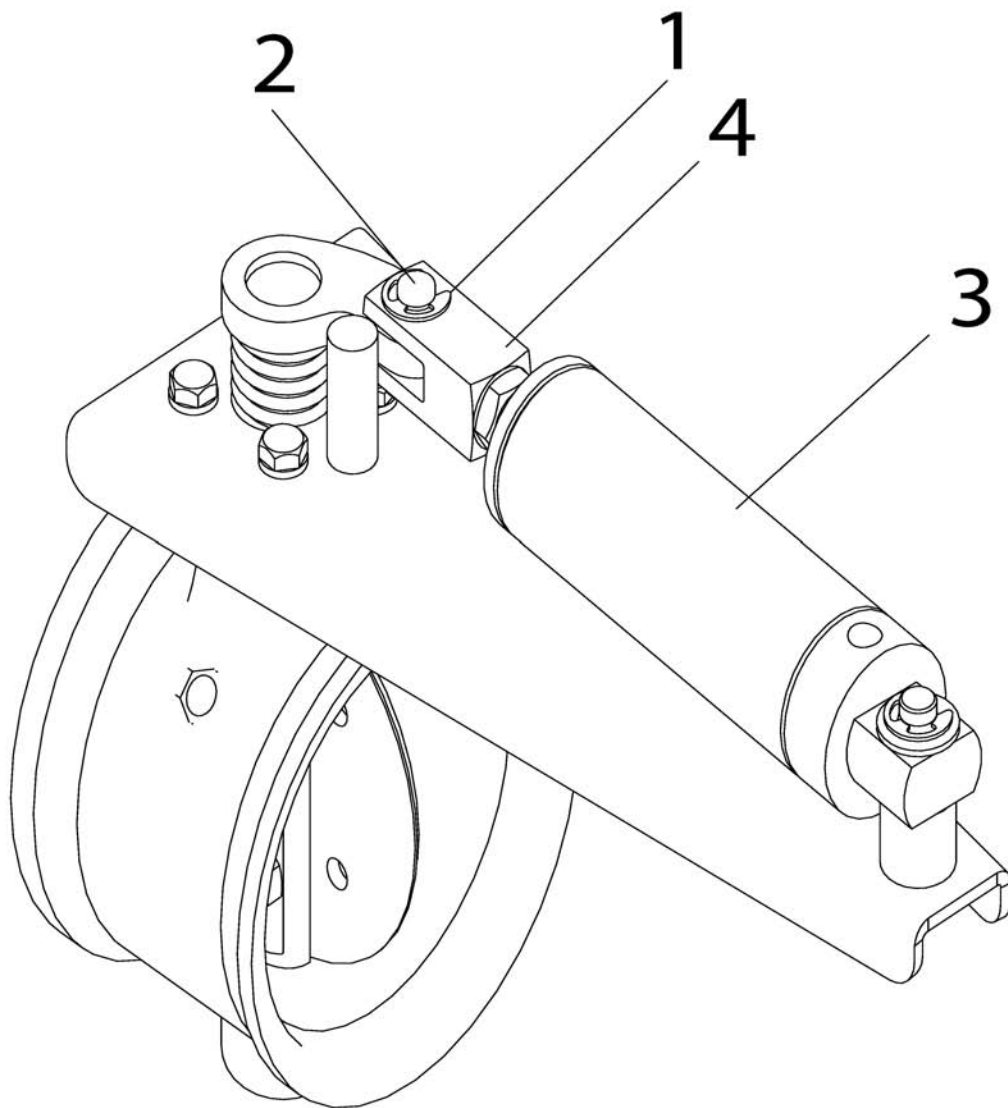
ITEM	PART #	QTY	DESCRIPTION	COMMENTS
1	AG120899	1	FRONT ENGINE MOUNT ISO PAD	
2	AG120912	2	SPACER-ENGINE MOUNT,BOLT	
3	AG120976	1	COMPRESSOR-A/C,R134A,10 GROOVE	
4	AG121839	2	BRACKET,MOUNT-ENGINE REAR	
5	AG121888	1	BRACKET-ENGINE ELEC REMOUNT	
6	AG121891	-	BELT-DRIVE,ENGINE,CAT 3126B	
7	AG122058	1	PAD-FITTING,A/C COMPRESSOR	
8	AG122205	1	ADAPTR-LONG STR -8MB X -8MORFS	
9	AG122206	1	ADAPTR-90D,.5ORFSX5/8 HOSE BRD	
10	AG122207	1	ADAPTR-STR -12MB X -10MJ	
11	AG122222	6	BOLT HEX M12-1.75X80 GR10.9	
12	AG122480	1	INSTL-FUEL LINE 3126B	SEE PAGE 4-1
13	AG125216	1	MOUNT-FRONT ENGINE WLDMT	
14	AG127726	1	ENGINE-CAT 3126B,275HP,INDSTRL	SEE PAGE 1-13
15	AG512885	AR	LOCTITE ADHESIVE SEALANT BLUE	
16	AG513423	-	HOSE 0.62 1BRD EPDM [BULK: 3.334 FT]	
17	AG515180	4	WASHER 0.62 FL ZN REG G8	
18	AG516780	5	WASHER TP-200 FLAT M12 BLACK	
19	AG517800	1	COUPLING HOSE BARB	
20	AG517801	1	COUPLING REDUCER HOSE BARB	
21	AG519394	1	FITTING HOSE FHICS 90D ELBOW	
22	AG520870	8	BOLT-M16-2.0X35,CL10.9,PH,FLG	
23	AG521797	6	WASHER-3.880 OD X .938 ID	
24	AG522710	2	BOLT-.88-9NCX5.50,G8,ZN,HHD	
25	AG522719	2	NUT-.88-9,G8,ZN,H	
26	AG522759	2	NUT-.63-11,G8,ZN,H,C-LK	
27	AG522989	4	MOUNT-RUBBER,2 PIECE	
28	AG550124	1	NUT 0.50-13NC HEX ZN REG	
29	AG550191	3	WASHER LK 0.37 ZN REG	
30	AG550248	2	BOLT 0.62-11NCX 5.00 G8 ZN HHD	
31	AG550264	1	WASHER 0.50 LK ZN REG	
32	AG550353	1	WASHER 0.50 FL ZN REG TYPE-B	
33	AG550825	3	NUT 0.37-16NC HEX ZN REG	
34	AG551007	2	WASHER FL 0.37 ZN REG TYPE-B	
35	AG552127	2	BOLT 0.37-16NCX 2.25 G5 ZN HHD	
36	AG553956	1	BOLT 0.50-13NCX 1.75 G5 ZN HHD	
37	AG558869	1	BOLT 0.37-16NCX 1.75 G5 ZN HHD	
38	AG561203	1	BOLT 0.50-13NCX 6.50 G5 ZN HHD	
39	AG561215	6	CLAMP 0.50-0.91 HOSE 8HS	
40	AG561683	2	BOLT M10-1.5 X 25MM G8.8 ZN HH	
41	AG562271	2	WASHER M10 LK ZN REG	
42	AG606258	2	WASHER 1.75ODX0.93ID G8 ZN	
43	508211D1	1	SHIELD-HEAT,ALT	



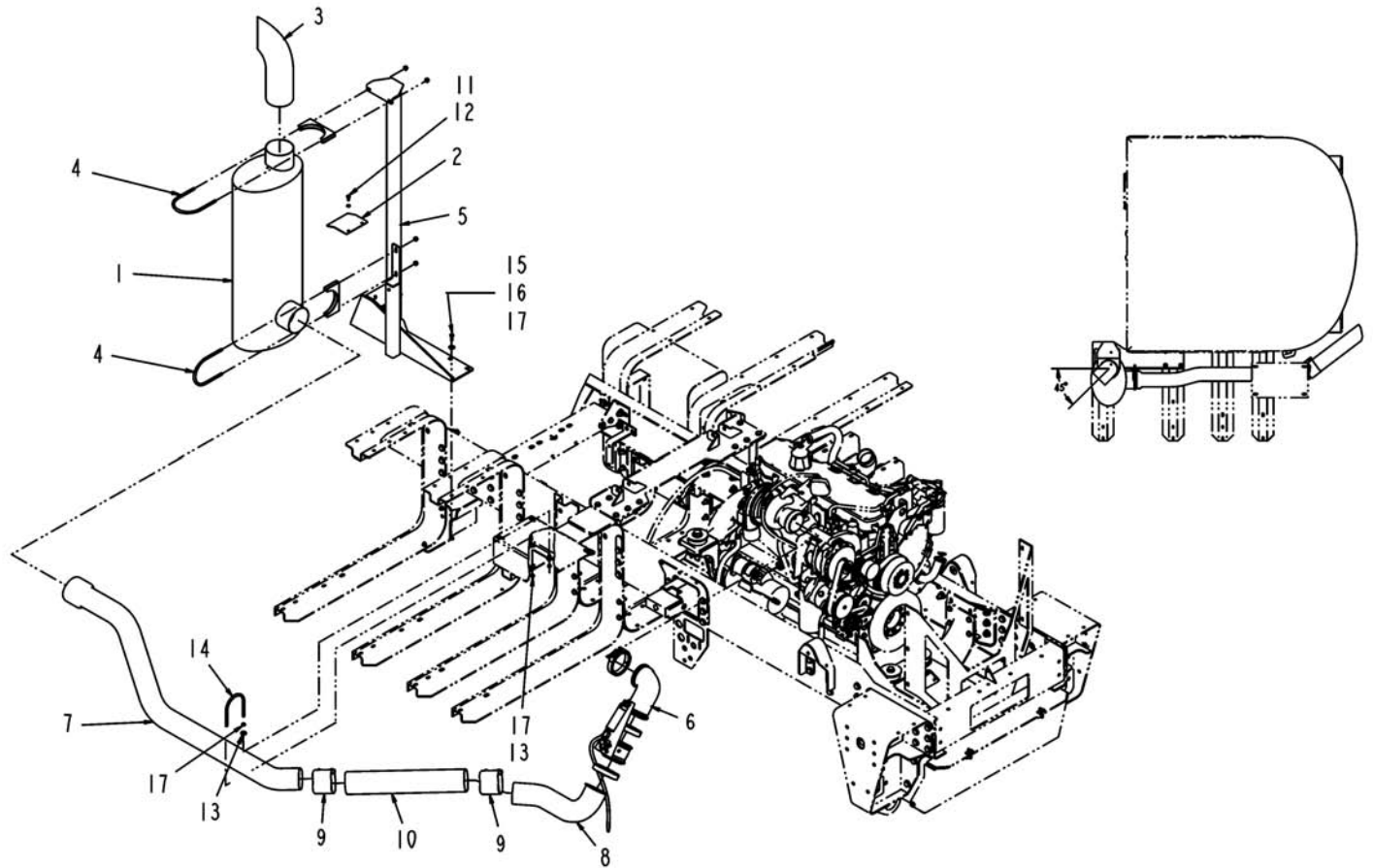
ITEM	PART #	QTY	DESCRIPTION	COMMENTS
1	AG121838	-	MNFLD-FILTER,REMOTE FUEL	SEE PAGE 1-1
2	AG121842	-	CLAMP-VEE BAND, EXHAUST	
3	AG121851	-	FILTER-FUEL/WATER SEP,CAT	
4	AG121852	-	FILTER-FUEL,PRIMARY,CAT 3126B	
5	AG121853	-	FILTER-OIL,ENGINE,CAT 3126B	
6	AG121854	-	STARTER-ENGINE,CAT 3126B	
7	AG121891	-	BELT-DRIVE,ENGINE,CAT 3126B	



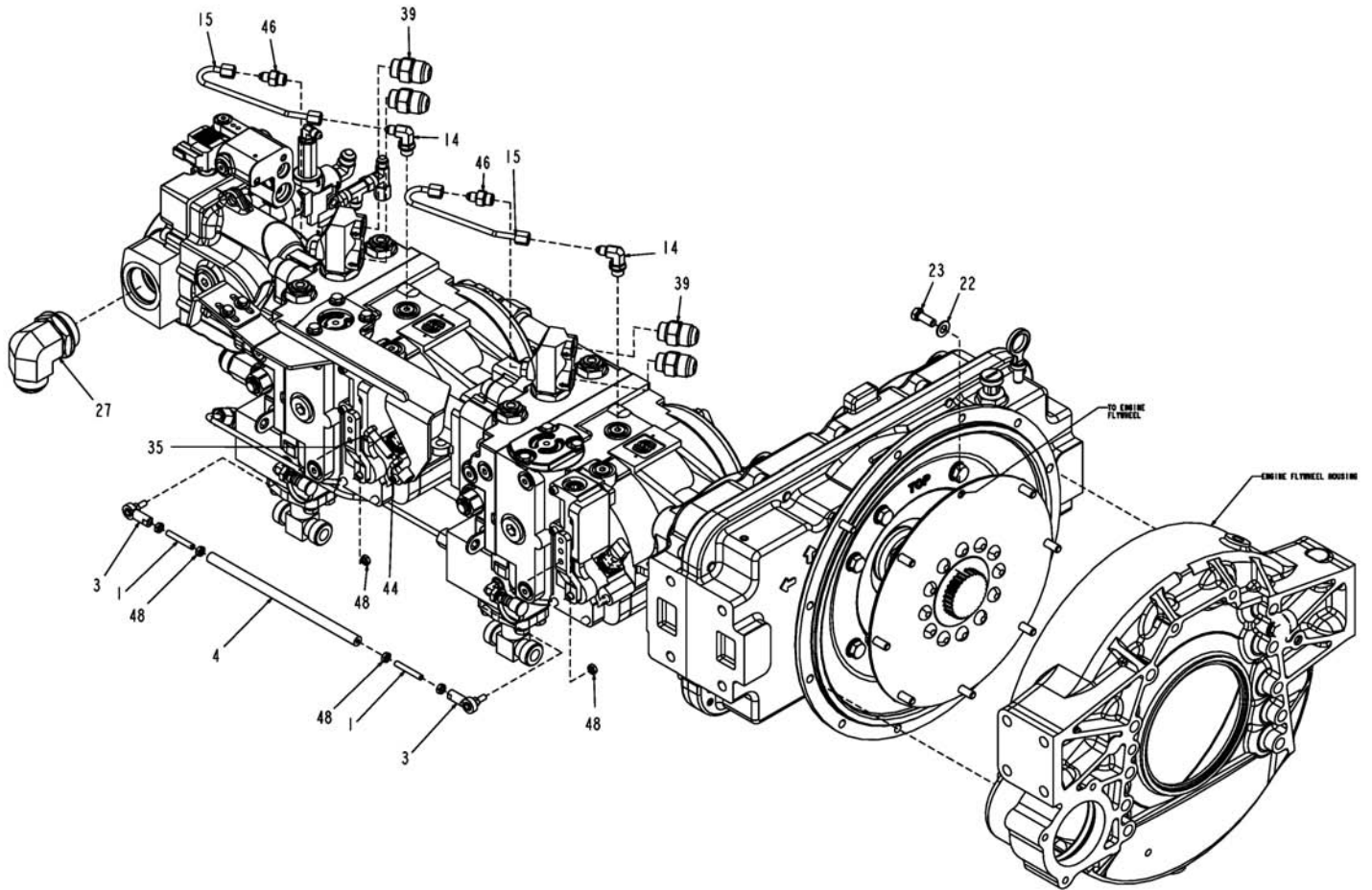
ITEM	PART #	QTY	DESCRIPTION	COMMENTS
1	AG132288	1	ELBOW-EXHAUST, SHORT, 4.00	
2	AG132289	1	BRAKE ASM-EXHAUST	SEE PAGE 1-15
3	AG126395	1	KIT-PAC BRAKE REMOTE BREATHER	SEE PAGE 1-11
4	AG132471	2	CLAMP-VEE BAND, EXHAUST	
5	505571D1	-	LUBRICANT-EXHAUST BRAKE 4OZ.	



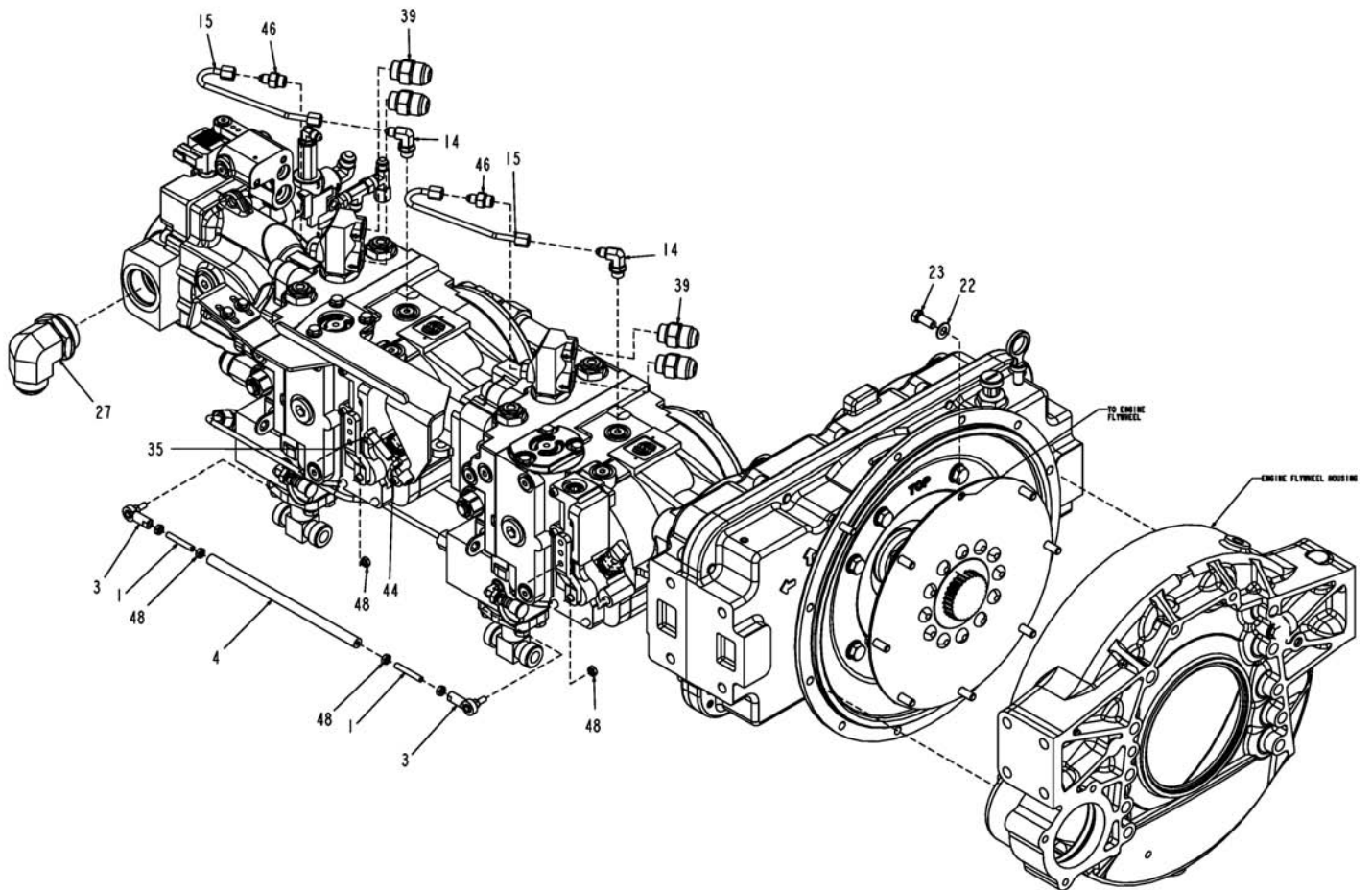
ITEM	PART #	QTY	DESCRIPTION	COMMENTS
1	AG137236	1	E-CLIPS	
2	AG137237	1	CLEVIS/PIN	
3	AG137238	1	CYLINDER	
4	AG137379	1	CLEVIS	



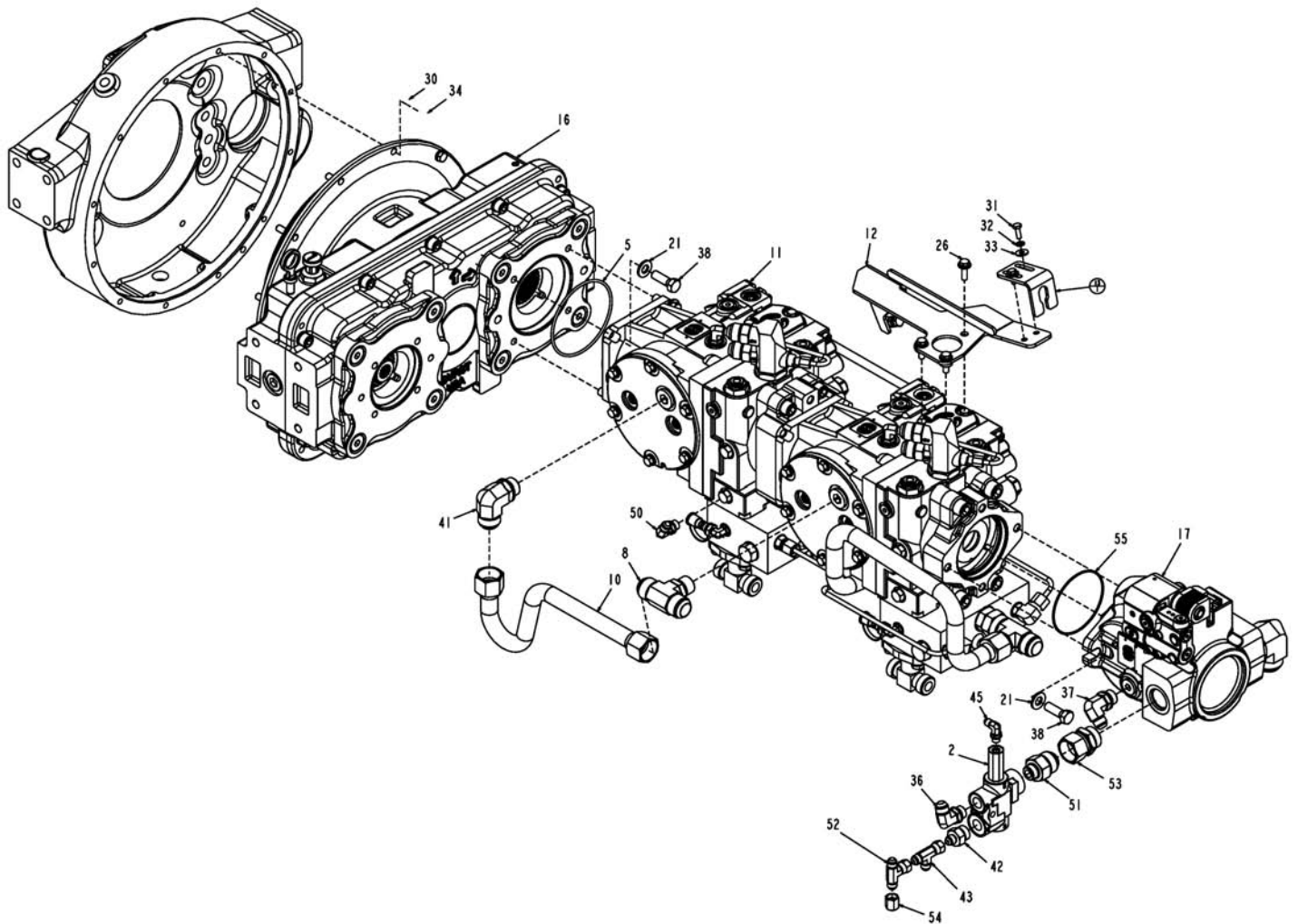
ITEM	PART #	QTY	DESCRIPTION	COMMENTS
1	AG123684	1	MUFFLER,5.00,10X15,SIDE INLET	
2	AG123793	1	GUARD-ELECTRICAL,MUFFLER MOUNT	
3	AG123921	1	STACK-MUFFLER,5.00	
4	AG130245	2	CLAMP-MUFFLER,5.00	
5	AG132262	1	WLDMT,MUFFLER MOUNT	
6	AG132290	1	KIT-BRAKE, EXHAUST	SEE PAGE 1-14
7	AG132472	1	TUBE EXHAUST, MUFFLER	
8	AG132473	1	TUBE EXHAUST, TURBO	
9	AG514347	2	CLAMP-EXHAUST,4.00	
10	AG550183	2	BOLT 0.31-18NCX 0.75 G5 ZN HHD	
11	AG550205	2	WASHER LK 0.31 ZN REG	
12	AG551007	3	WASHER FL 0.37 ZN REG TYPE-B	
13	AG561210	1	BOLT-U .38-16X4.00X 5.50RD ZN	
14	AG562048	8	BOLT 0.37-16NCX 1.00 S.S. HHD	
15	AG562073	8	WASHER FL 0.37 SS REG	
16	AG562123	11	NUT 0.37-16NC HEX SSC-LK	
17	505086D1	1	TUBING-FLEX,4.00 ID X 19 LG,SS	



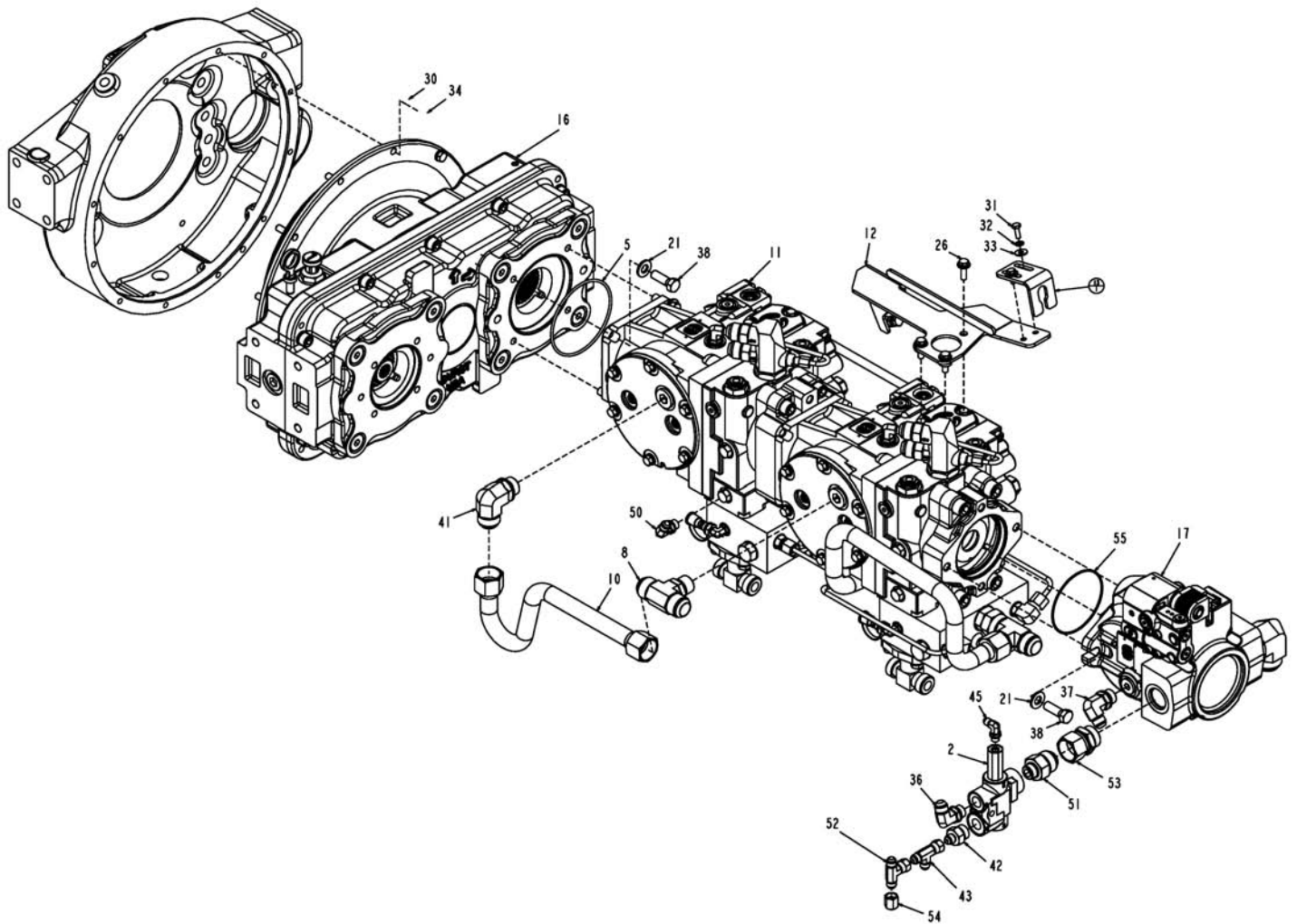
ITEM	PART #	QTY	DESCRIPTION	COMMENTS
1	AG109305	2	ROD-THREADED	
2	AG120959	1	VALVE-PRIORITY,OLS 80,80 L/MIN	SEE PAGE 5-1
3	AG122639	2	JOINT-BALL SWIVEL,25-28UNF	
4	AG123965	1	TUBE-LINKAGE,PUMP,10.25	
5	AG127042	1	O-RING,248-90,EATON PUMP	
6	AG132603	2	BLOCK-HYD,HYDRO HIC	SEE PAGE 5-36
7	AG132604	4	FLANGE KIT-CODE 62,-16,4.50CS	
8	AG133227	1	TEE-BRANCH,-12MOR X -16MJIC(2)	
9	AG133228	1	TUBE-HYD,HYDRO,LOOP FLUSH	
10	AG133230	1	TUBE-HYD,HYDRO,CASE DRAIN	
11	AG133247	1	PUMP-TANDEM,SAUER,100CCX2,"C"	SEE PAGE 5-33
12	AG134381	1	BRKT-WLDMT,HYDRO CONTROL,"C"	SEE PAGE 7-49
13	AG134384	1	BRKT-MTG,HYDRO CONTROL,"C"	
14	AG134674	2	ELBW-ORIFICIE,-6MORX-4JIC,.031	
15	AG134675	2	TUBE-HYD,HYDRO CASE FLUSH	
16	AG134677	1	GERABOX-DOUBLE PUMP DRIVE	
17	AG134678	1	PUMP-HYD,25CC PC,B PAD	
18	AG135975	2	ADAP-RST,.38MORX.38ORFS,1.57MM	
19	AG136404	2	TUBE-HYD,DRIVE PRESSURE	
20	AG512885	AR	LOCTITE ADHESIVE SEALANT BLUE	
21	AG514554	6	WASHER-FL,.50,ZN,G8,REG	
22	AG514559	8	WASHER 0.37 FL ZN SAE G8	
23	AG518500	8	BOLT,HHD,ZN .38-16X1.00 GR 8	
24	AG519113	4	TUBE END NIPPLE -4	
25	AG521630	2	ADPTR-STR,1.25M0-RX1.25MJIC,L	
26	AG522855	3	BOLT-M8-1.25X25,CL10.9,BLK,FLG	
27	AG523368	1	ELBOW-90D-24 MO-RX-20MJIC	
28	AG523432	AR	LUBT-EP,SILVER STREAK 200,HVY	
29	AG523734	4	TEE-RUN,.75 ORFS(2)X1.00FLH 62	
30	AG550191	12	WASHER LK 0.37 ZN REG	
31	AG550485	2	BOLT.25-20NCX.75 G5 ZN HHD	
32	AG550493	2	WASHER LK 0.25 ZN REG	
33	AG550507	2	WASHER FL 0.25 ZN REG TYPE-B	
34	AG550515	12	BOLT 0.37-16NCX 1.25 G5 ZN HHD	
35	AG550779	1	BOLT 0.37-16NCX 1.50 G5 ZN HHD	
36	AG551112	1	ELBOW 90D 0.50MO-R X 0.50MJIC	[A]
37	AG552488	1	ELBOW 90D 0.62MO-R X 0.50MJIC	[B]
38	AG559237	6	BOLT 0.50-13NCX 1.50 G8 ZN HHD	
39	AG560900	4	ADAP STR -10MBX12MJ	[C]
40	AG561288	2	ADAP STR 0.75MO-R X 1.00MJIC	[D]
41	AG561289	1	ELBOW -12MB90-16MJ	
42	AG561304	1	ADAP STR 0.62MO-R X 0.37MJIC	
43	AG561391	1	TEE 0.37FJIC SW X 0.37MJIC(2)	
44	AG561659	1	NUT 0.37-16NC HEX ZN JAM	
45	AG561677	5	ELBOW 90D 0.25MO-R X 0.25MJIC	[E]
46	AG561744	2	ADAP STR 0.37MO-R X 0.25MJIC	[F]
47	AG561797	2	PLUG 0.37MO-R HEX	[G]
48	AG562121	6	NUT 0.25-28NF HEX S.S.	
49	AG562390	1	TEE-RUN,1.0FJIC SW X1.0MJIC(2)	
50	AG562401	1	ELBOW -6MB90X-6MJ	
51	AG562513	1	ADAP STR 0.62MO-R X 1.00MJIC	[H]
52	AG562709	1	TEE 0.37MJIC(2)X0.37FJIC SW	
53	AG562780	1	ADAP STR-16MBX-16FJS	
54	AG708307	1	NUT CAP 0.37 FJIC	
55	AG714257	1	O RING,4.00 ID X.09W,B-PAD	[I]
56	CH148-8378	2	ELBOW AS-90 DEG 4 STOR X6 ORFS	
	FOOTNOTE [A]		AG713670-O-RING	
	FOOTNOTE [B]		AG713153-O-RING	
	FOOTNOTE [C]		AG713153 O-RING	
	FOOTNOTE [D]		O-RING ONLY - AG714806	



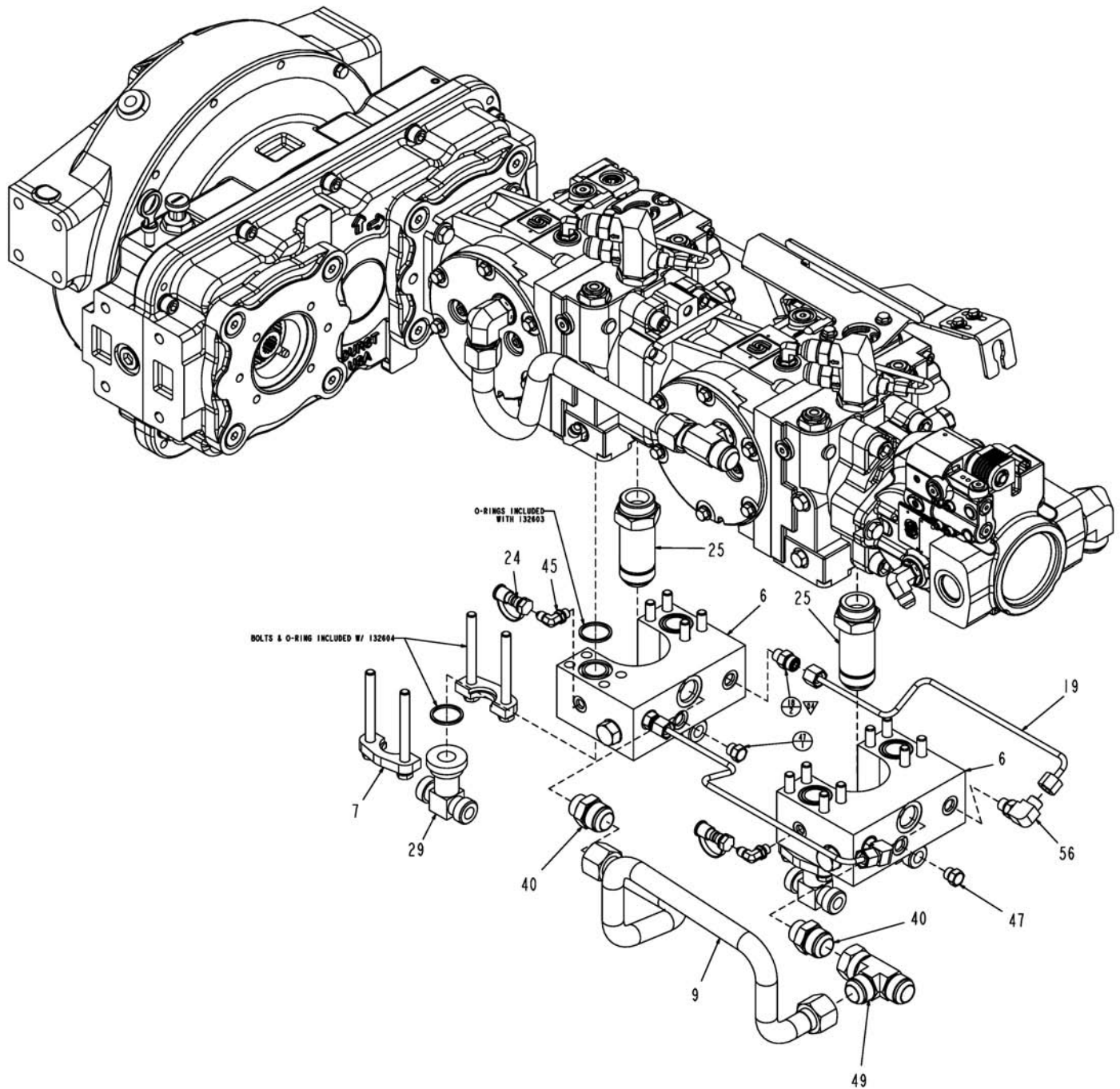
ITEM	PART #	QTY	DESCRIPTION	COMMENTS
	FOOTNOTE [E]		AG713670 O-RING	
	FOOTNOTE [F]		AG713166 O-RING	
	FOOTNOTE [G]		AG713166 O-RING	
	FOOTNOTE [H]		AG713153 O-RING	
	FOOTNOTE [I]		BIG O-RING USED ON EATON CHARGE PUMP, BLACK IN COLOR 4 DIA.	



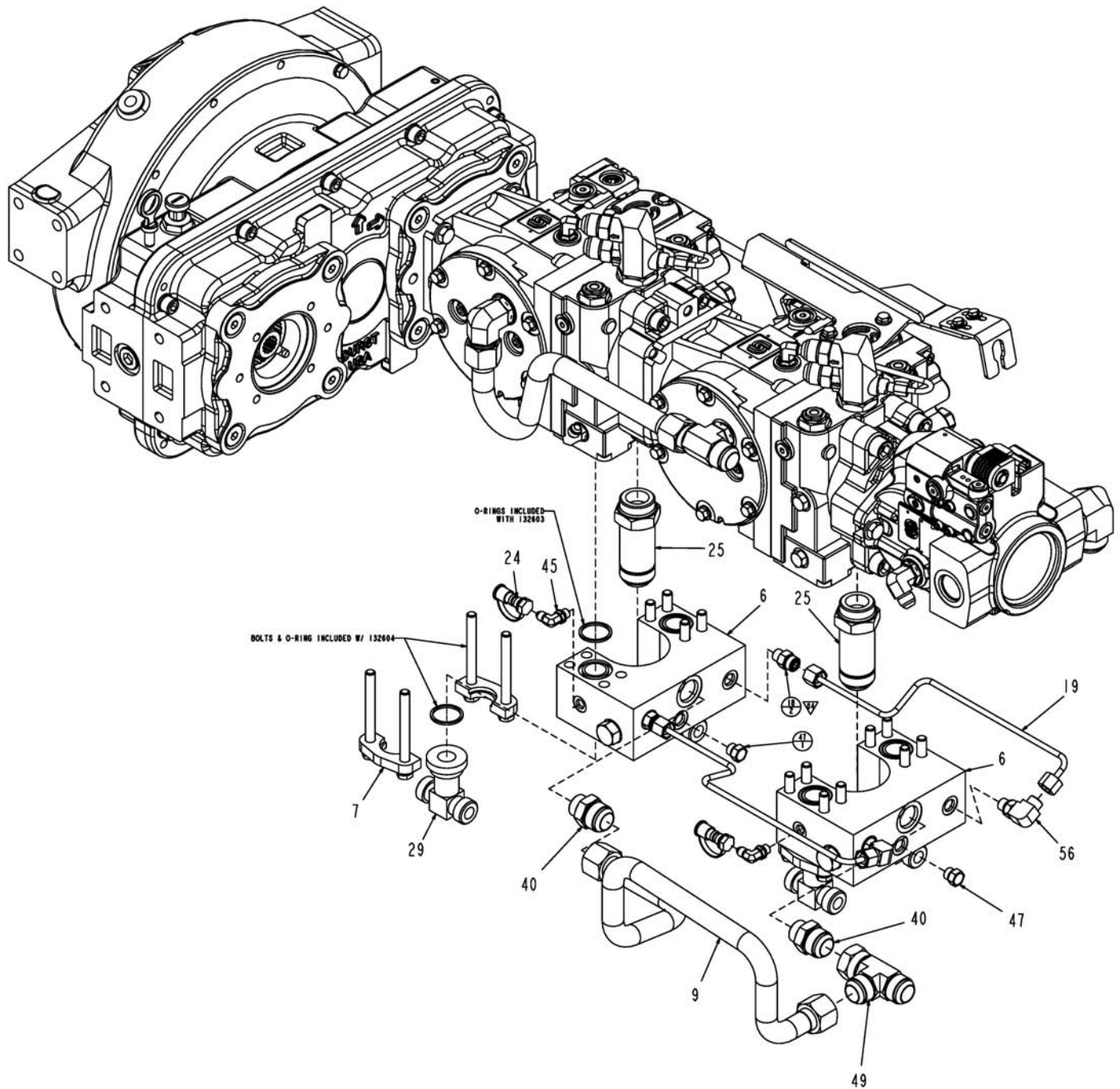
ITEM	PART #	QTY	DESCRIPTION	COMMENTS
1	AG109305	2	ROD-THREADED	
2	AG120959	1	VALVE-PRIORITY,OLS 80,80 L/MIN	SEE PAGE 5-1
3	AG122639	2	JOINT-BALL SWIVEL,25-28UNF	
4	AG123965	1	TUBE-LINKAGE,PUMP,10.25	
5	AG127042	1	O-RING,248-90,EATON PUMP	
6	AG132603	2	BLOCK-HYD,HYDRO HIC	SEE PAGE 5-36
7	AG132604	4	FLANGE KIT-CODE 62,-16,4.50CS	
8	AG133227	1	TEE-BRANCH,-12MOR X -16MJIC(2)	
9	AG133228	1	TUBE-HYD,HYDRO,LOOP FLUSH	
10	AG133230	1	TUBE-HYD,HYDRO,CASE DRAIN	
11	AG133247	1	PUMP-TANDEM,SAUER,100CCX2,"C"	SEE PAGE 5-33
12	AG134381	1	BRKT-WLDMT,HYDRO CONTROL,"C"	SEE PAGE 7-49
13	AG134384	1	BRKT-MTG,HYDRO CONTROL,"C"	
14	AG134674	2	ELBW-ORIFICIE,-6MORX-4JIC,.031	
15	AG134675	2	TUBE-HYD,HYDRO CASE FLUSH	
16	AG134677	1	GERABOX-DOUBLE PUMP DRIVE	
17	AG134678	1	PUMP-HYD,25CC PC,B PAD	
18	AG135975	2	ADAP-RST,.38MORX.38ORFS,1.57MM	
19	AG136404	2	TUBE-HYD,DRIVE PRESSURE	
20	AG512885	AR	LOCTITE ADHESIVE SEALANT BLUE	
21	AG514554	6	WASHER-FL,.50,ZN,G8,REG	
22	AG514559	8	WASHER 0.37 FL ZN SAE G8	
23	AG518500	8	BOLT,HHD,ZN .38-16X1.00 GR 8	
24	AG519113	4	TUBE END NIPPLE -4	
25	AG521630	2	ADPTR-STR,1.25M0-RX1.25MJIC,L	
26	AG522855	3	BOLT-M8-1.25X25,CL10.9,BLK,FLG	
27	AG523368	1	ELBOW-90D-24 MO-RX-20MJIC	
28	AG523432	AR	LUBT-EP,SILVER STREAK 200,HVY	
29	AG523734	4	TEE-RUN,.75 ORFS(2)X1.00FLH 62	
30	AG550191	12	WASHER LK 0.37 ZN REG	
31	AG550485	2	BOLT.25-20NCX.75 G5 ZN HHD	
32	AG550493	2	WASHER LK 0.25 ZN REG	
33	AG550507	2	WASHER FL 0.25 ZN REG TYPE-B	
34	AG550515	12	BOLT 0.37-16NCX 1.25 G5 ZN HHD	
35	AG550779	1	BOLT 0.37-16NCX 1.50 G5 ZN HHD	
36	AG551112	1	ELBOW 90D 0.50MO-R X 0.50MJIC	[A]
37	AG552488	1	ELBOW 90D 0.62MO-R X 0.50MJIC	[B]
38	AG559237	6	BOLT 0.50-13NCX 1.50 G8 ZN HHD	
39	AG560900	4	ADAP STR -10MBX12MJ	[C]
40	AG561288	2	ADAP STR 0.75MO-R X 1.00MJIC	[D]
41	AG561289	1	ELBOW -12MB90-16MJ	
42	AG561304	1	ADAP STR 0.62MO-R X 0.37MJIC	
43	AG561391	1	TEE 0.37FJIC SW X 0.37MJIC(2)	
44	AG561659	1	NUT 0.37-16NC HEX ZN JAM	
45	AG561677	5	ELBOW 90D 0.25MO-R X 0.25MJIC	[E]
46	AG561744	2	ADAP STR 0.37MO-R X 0.25MJIC	[F]
47	AG561797	2	PLUG 0.37MO-R HEX	[G]
48	AG562121	6	NUT 0.25-28NF HEX S.S.	
49	AG562390	1	TEE-RUN,1.0FJIC SW X1.0MJIC(2)	
50	AG562401	1	ELBOW -6MB90X-6MJ	
51	AG562513	1	ADAP STR 0.62MO-R X 1.00MJIC	[H]
52	AG562709	1	TEE 0.37MJIC(2)X0.37FJIC SW	
53	AG562780	1	ADAP STR-16MBX-16FJS	
54	AG708307	1	NUT CAP 0.37 FJIC	
55	AG714257	1	O RING,4.00 ID X.09W,B-PAD	[I]
56	CH148-8378	2	ELBOW AS-90 DEG 4 STOR X6 ORFS	
	FOOTNOTE [A]		AG713670-O-RING	
	FOOTNOTE [B]		AG713153-O-RING	
	FOOTNOTE [C]		AG713153 O-RING	
	FOOTNOTE [D]		O-RING ONLY - AG714806	



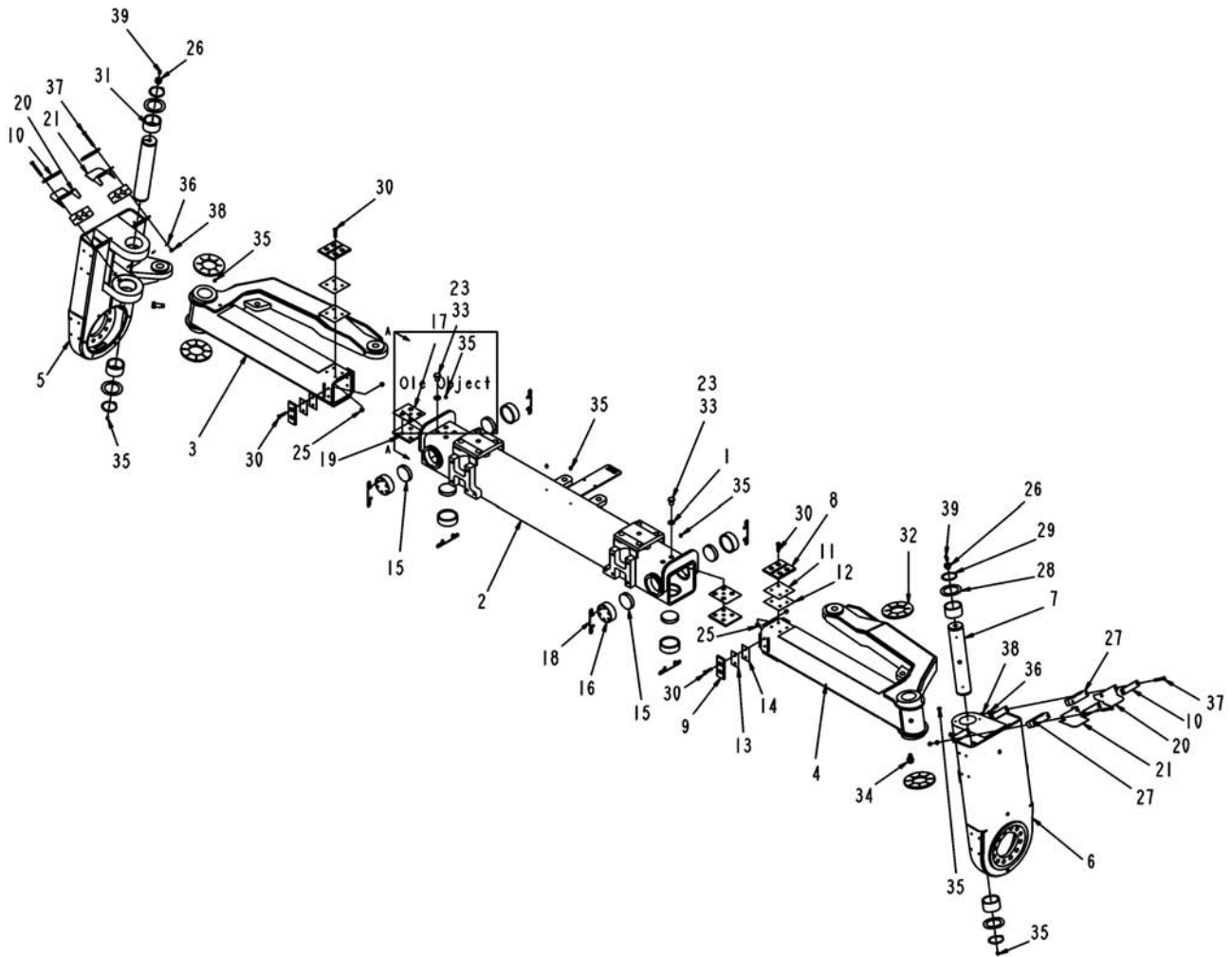
ITEM	PART #	QTY	DESCRIPTION	COMMENTS
	FOOTNOTE [E]		AG713670 O-RING	
	FOOTNOTE [F]		AG713166 O-RING	
	FOOTNOTE [G]		AG713166 O-RING	
	FOOTNOTE [H]		AG713153 O-RING	
	FOOTNOTE [I]		BIG O-RING USED ON EATON CHARGE PUMP, BLACK IN COLOR 4 DIA.	



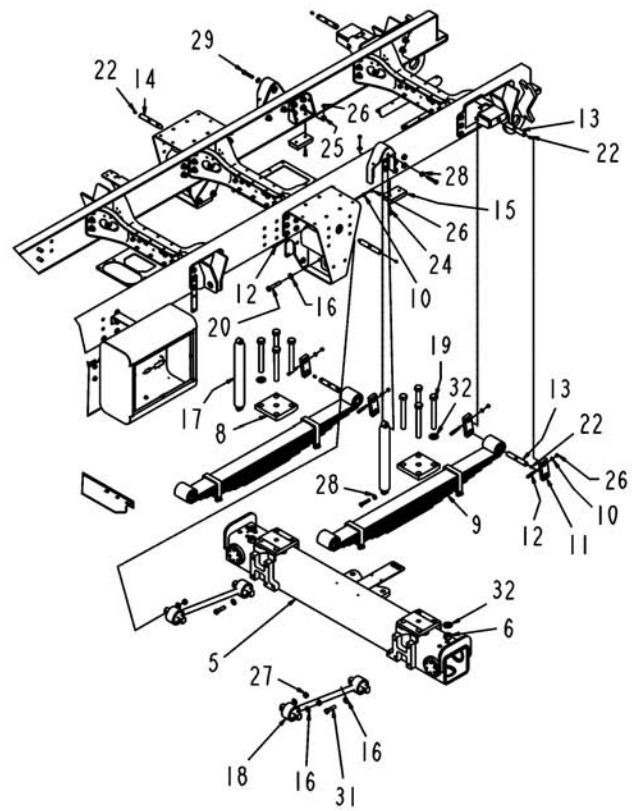
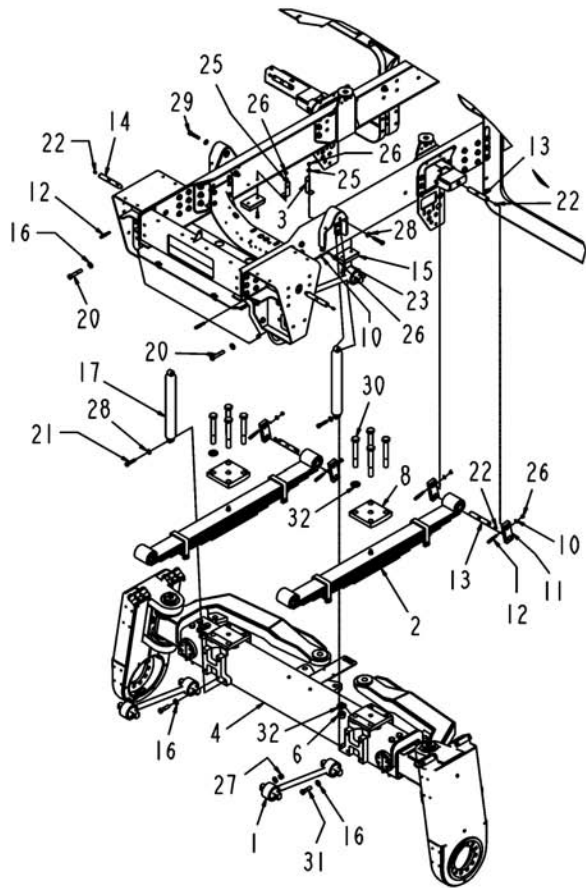
ITEM	PART #	QTY	DESCRIPTION	COMMENTS
1	AG109305	2	ROD-THREADED	
2	AG120959	1	VALVE-PRIORITY,OLS 80,80 L/MIN	SEE PAGE 5-1
3	AG122639	2	JOINT-BALL SWIVEL,25-28UNF	
4	AG123965	1	TUBE-LINKAGE,PUMP,10.25	
5	AG127042	1	O-RING,248-90,EATON PUMP	
6	AG132603	2	BLOCK-HYD,HYDRO HIC	SEE PAGE 5-36
7	AG132604	4	FLANGE KIT-CODE 62,-16,4.50CS	
8	AG133227	1	TEE-BRANCH,-12MOR X -16MJIC(2)	
9	AG133228	1	TUBE-HYD,HYDRO,LOOP FLUSH	
10	AG133230	1	TUBE-HYD,HYDRO,CASE DRAIN	
11	AG133247	1	PUMP-TANDEM,SAUER,100CCX2,"C"	SEE PAGE 5-33
12	AG134381	1	BRKT-WLDMT,HYDRO CONTROL,"C"	SEE PAGE 7-49
13	AG134384	1	BRKT-MTG,HYDRO CONTROL,"C"	
14	AG134674	2	ELBW-ORIFICIE,-6MORX-4JIC,.031	
15	AG134675	2	TUBE-HYD,HYDRO CASE FLUSH	
16	AG134677	1	GERABOX-DOUBLE PUMP DRIVE	
17	AG134678	1	PUMP-HYD,25CC PC,B PAD	
18	AG135975	2	ADAP-RST,.38MORX.38ORFS,1.57MM	
19	AG136404	2	TUBE-HYD,DRIVE PRESSURE	
20	AG512885	AR	LOCTITE ADHESIVE SEALANT BLUE	
21	AG514554	6	WASHER-FL,.50,ZN,G8,REG	
22	AG514559	8	WASHER 0.37 FL ZN SAE G8	
23	AG518500	8	BOLT,HHD,ZN .38-16X1.00 GR 8	
24	AG519113	4	TUBE END NIPPLE -4	
25	AG521630	2	ADPTR-STR,1.25M0-RX1.25MJIC,L	
26	AG522855	3	BOLT-M8-1.25X25,CL10.9,BLK,FLG	
27	AG523368	1	ELBOW-90D-24 MO-RX-20MJIC	
28	AG523432	AR	LUBT-EP,SILVER STREAK 200,HVY	
29	AG523734	4	TEE-RUN,.75 ORFS(2)X1.00FLH 62	
30	AG550191	12	WASHER LK 0.37 ZN REG	
31	AG550485	2	BOLT.25-20NCX.75 G5 ZN HHD	
32	AG550493	2	WASHER LK 0.25 ZN REG	
33	AG550507	2	WASHER FL 0.25 ZN REG TYPE-B	
34	AG550515	12	BOLT 0.37-16NCX 1.25 G5 ZN HHD	
35	AG550779	1	BOLT 0.37-16NCX 1.50 G5 ZN HHD	
36	AG551112	1	ELBOW 90D 0.50MO-R X 0.50MJIC	[A]
37	AG552488	1	ELBOW 90D 0.62MO-R X 0.50MJIC	[B]
38	AG559237	6	BOLT 0.50-13NCX 1.50 G8 ZN HHD	
39	AG560900	4	ADAP STR -10MBX12MJ	[C]
40	AG561288	2	ADAP STR 0.75MO-R X 1.00MJIC	[D]
41	AG561289	1	ELBOW -12MB90-16MJ	
42	AG561304	1	ADAP STR 0.62MO-R X 0.37MJIC	
43	AG561391	1	TEE 0.37FJIC SW X 0.37MJIC(2)	
44	AG561659	1	NUT 0.37-16NC HEX ZN JAM	
45	AG561677	5	ELBOW 90D 0.25MO-R X 0.25MJIC	[E]
46	AG561744	2	ADAP STR 0.37MO-R X 0.25MJIC	[F]
47	AG561797	2	PLUG 0.37MO-R HEX	[G]
48	AG562121	6	NUT 0.25-28NF HEX S.S.	
49	AG562390	1	TEE-RUN,1.0FJIC SW X1.0MJIC(2)	
50	AG562401	1	ELBOW -6MB90X-6MJ	
51	AG562513	1	ADAP STR 0.62MO-R X 1.00MJIC	[H]
52	AG562709	1	TEE 0.37MJIC(2)X0.37FJIC SW	
53	AG562780	1	ADAP STR-16MBX-16FJS	
54	AG708307	1	NUT CAP 0.37 FJIC	
55	AG714257	1	O RING,4.00 ID X.09W,B-PAD	[I]
56	CH148-8378	2	ELBOW AS-90 DEG 4 STOR X6 ORFS	
	FOOTNOTE [A]		AG713670-O-RING	
	FOOTNOTE [B]		AG713153-O-RING	
	FOOTNOTE [C]		AG713153 O-RING	
	FOOTNOTE [D]		O-RING ONLY - AG714806	



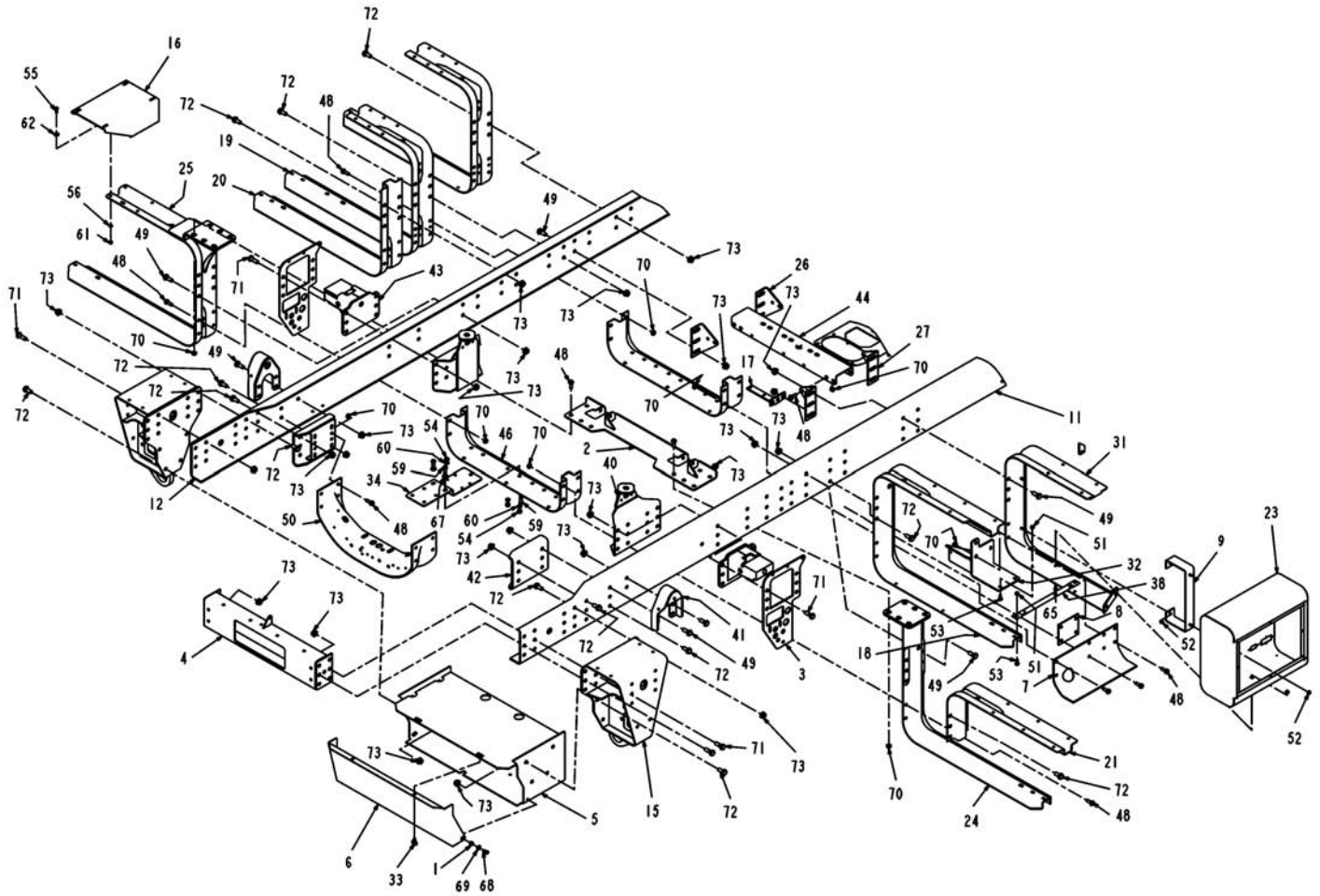
ITEM	PART #	QTY	DESCRIPTION	COMMENTS
	FOOTNOTE [E]		AG713670 O-RING	
	FOOTNOTE [F]		AG713166 O-RING	
	FOOTNOTE [G]		AG713166 O-RING	
	FOOTNOTE [H]		AG713153 O-RING	
	FOOTNOTE [I]		BIG O-RING USED ON EATON CHARGE PUMP, BLACK IN COLOR 4 DIA.	



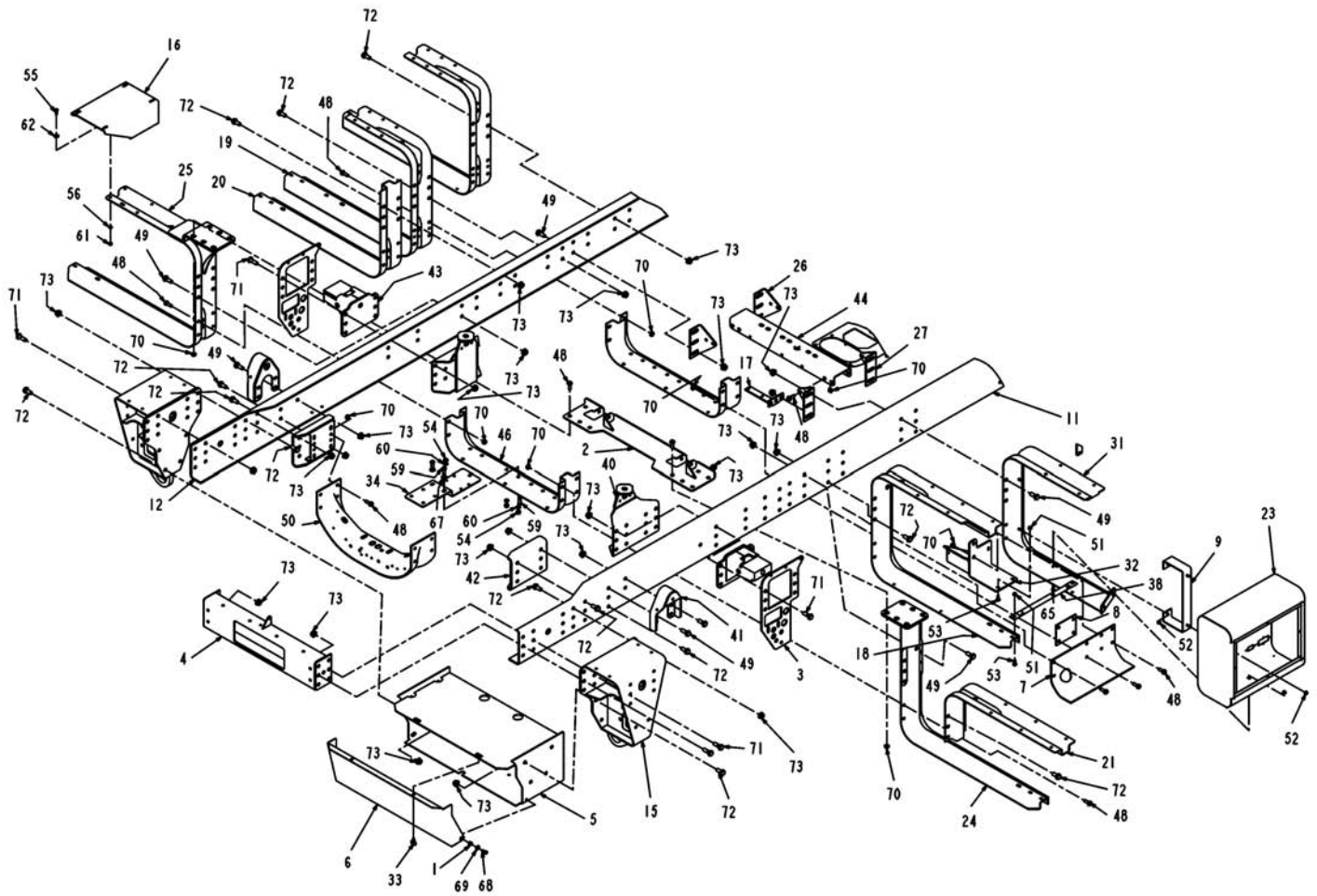
ITEM	PART #	QTY	DESCRIPTION	COMMENTS
1	AG122800	8	WASHER-FLAT .75 NR,PL ZN/Y	
2	AG123967	1	AXLE WLDMT-8 X 8	
3	AG124340	1	AXLE WLDMT-6X6,STEERABLE,RH	
4	AG124341	1	AXLE WLDMT-6X6,STEERABLE,LH	
5	AG124342	1	LEG-WHEEL,STR,MACH,RH FRONT	
6	AG124343	1	LEG-WHEEL,STR,MACH,LH FRONT	
7	AG130173	2	PIN-KING,3.00	
8	AG231449	2	PAD GREASE LARG .38	
9	AG231454	2	PAD WEAR SMALL .38	
10	AG237961	4	PLATE-COVER	[A]
11	AG260929	AR	SHIM-WEAR PAD,LARGE,20GA	
12	AG260930	AR	SHIM-WEAR PAD,LARGE,16GA	
13	AG260931	AR	SHIM-WEAR PAD,SMALL,20GA	
14	AG260932	AR	SHIM-WEAR PAD,SMALL,16GA	
15	AG262873	6	PAD-WEAR,STEEL	
16	AG262879	-	ADJUSTER-WEAR PAD	
17	AG262955	2	SHIM-WEAR PAD,UPPER	
18	AG263035	6	CLIP-RETAINING,WEAR PAD	
19	AG328338	2	PAD-WEAR,AXLE,UPPER,STEEL	
20	AG423320	2	COVER-WHEEL LEG,RH	
21	AG423321	2	COVER-WHEEL LEG,LH	
22	AG511099	-	GREASE-MULTI PURPOSE LITH. [BULK: 0.001 LB]	
23	AG512885	AR	LOCTITE ADHESIVE SEALANT BLUE	
24	AG516064	AR	ANTI SEIZE	
25	AG518511	12	NUT FLANGE .38-24 UNF	
26	AG519525	2	BUSHING REDUCER 0.75NCX.125NPT	
27	AG521587	4	CLAMP-TWIN,1.50,POLY	
28	AG522356	4	BUSHING-MACHINERY,HEAVY,3.00ID	
29	AG522357	4	RING-RETAINING,EXT,3.00 DIA	
30	AG522486	12	SCR-.38-24X2.00,G8,S,FH,CA	
31	AG522722	4	BUSHING-JOURNAL,KING PIN	
32	AG522723	4	BUSHING-THRUST,KING PIN	
33	AG524079	8	BOLT HEX .75-10UNCX1.00SS,HHD	
34	AG524111	2	BOLT	
35	AG550280	8	FITTING LUB.12-27NPTFX0.68	
36	AG550981	8	WASHER 0.37 FL ZN SAE TYPE-A	
37	AG551058	8	BOLT 0.37-16NCX 3.25 G5 ZN HHD	
38	AG557676	8	NUT 0.37-16NC HEX ZN C-LK	
39	AG559083	2	FITTING LUB 90D 0.125 NPTF	
	FOOTNOTE [A]		PLATE THAT COVER BOLTS - AG237959	



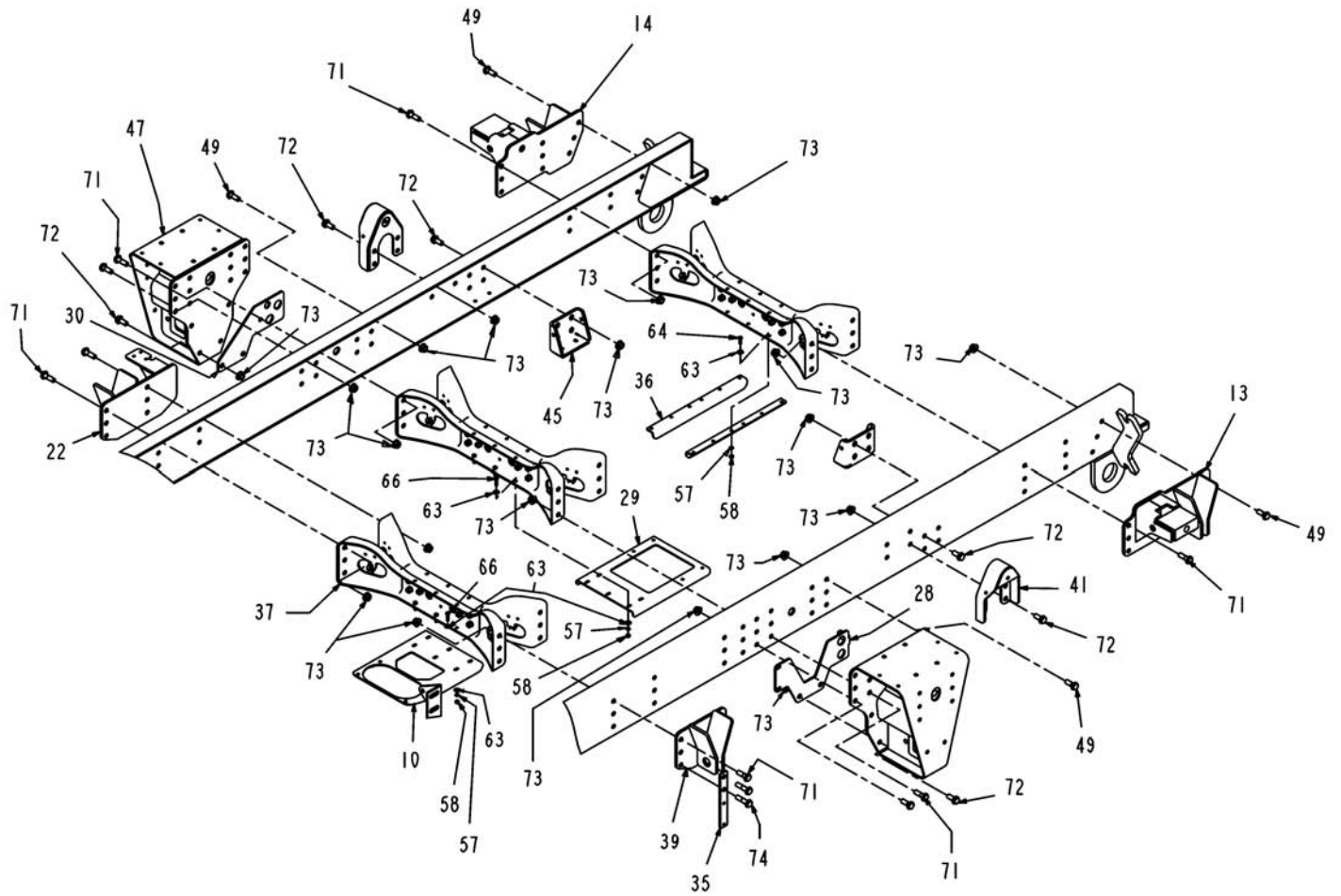
ITEM	PART #	QTY	DESCRIPTION	COMMENTS
1	AG121903	4	ARM-TORQUE	
2	AG121904	2	SPRING-LEAF,FRONT,1500LB/IN	[A]
3	AG122301	2	BRKT-BATTERY CABLE	
4	AG122472	1	STANDARD CHASSIS-FRONT SUSP	SEE PAGE 2-1
5	AG123967	1	AXLE WLDMT-8 X 8	
6	AG125206	16	NUT HEX 1-8 UNC-2B GR8 ZN/Y	
7	AG134385	1	CHASSIS ASM-FRAME,"C"	SEE PAGE 2-3
8	AG233188	4	PLATE FLANGE	
9	AG424839	2	SPRING-LEAF,REAR,2405LB/IN	
10	AG514559	20	WASHER 0.37 FL ZN SAE G8	
11	AG514700	8	SHACKLE SPRING	
12	AG514711	20	KEY DRAW 3.00X0.37THR(1.00 IN LG)	
13	AG514712	8	PIN SHACKLE REAR	[B]
14	AG514713	4	PIN SPRING FRONT	
15	AG514814	4	BUMPER PAD	
16	AG515180	36	WASHER 0.62 FL ZN REG G8	
17	AG522530	4	SHOCK ABSORBER	[C]
18	AG523663	2	ARM-TORQUE	
19	AG524266	8	BOLT-1.00-8X8.50,G8,ZN,HHD	
20	AG524335	12	BOLT-HEX.62-11UNCX3.50G8,ZN	
21	AG524420	4	BOLT-.50-13 X 2.50,G8,ZN,HHD	
22	AG550280	12	FITTING LUB.12-27NPTFX0.68	
23	AG550515	4	BOLT 0.37-16NCX 1.25 G5 ZN HHD	
24	AG550779	4	BOLT 0.37-16NCX 1.50 G5 ZN HHD	
25	AG551007	8	WASHER FL 0.37 ZN REG TYPE-B	
26	AG557676	28	NUT 0.37-16NC HEX ZN C-LK	
27	AG557692	12	NUT 0.62-11NC HEX ZN C-LK	
28	AG561617	8	WASHER 0.50 FL ZN SAE TYPE-A	
29	AG562490	4	BOLT 0.50-13NCX 2.75 G8 ZN HHD	
30	AG562584	8	BOLT 1.00- 8NCX 7.50 G8 ZN HHD	
31	AG563127	12	BOLT 0.62-11 X 2.50 G8 ZN HHD	
32	AG604184	32	WASHER-FL,1.00,ZN,HDN,A325	
	FOOTNOTE [A]		EYELET BUSHING FOR THIS IS AG515714.	
	FOOTNOTE [B]		AG514711 - DRAW KEY	
	FOOTNOTE [C]		FOR SEVERE SERVICE USE 130462	



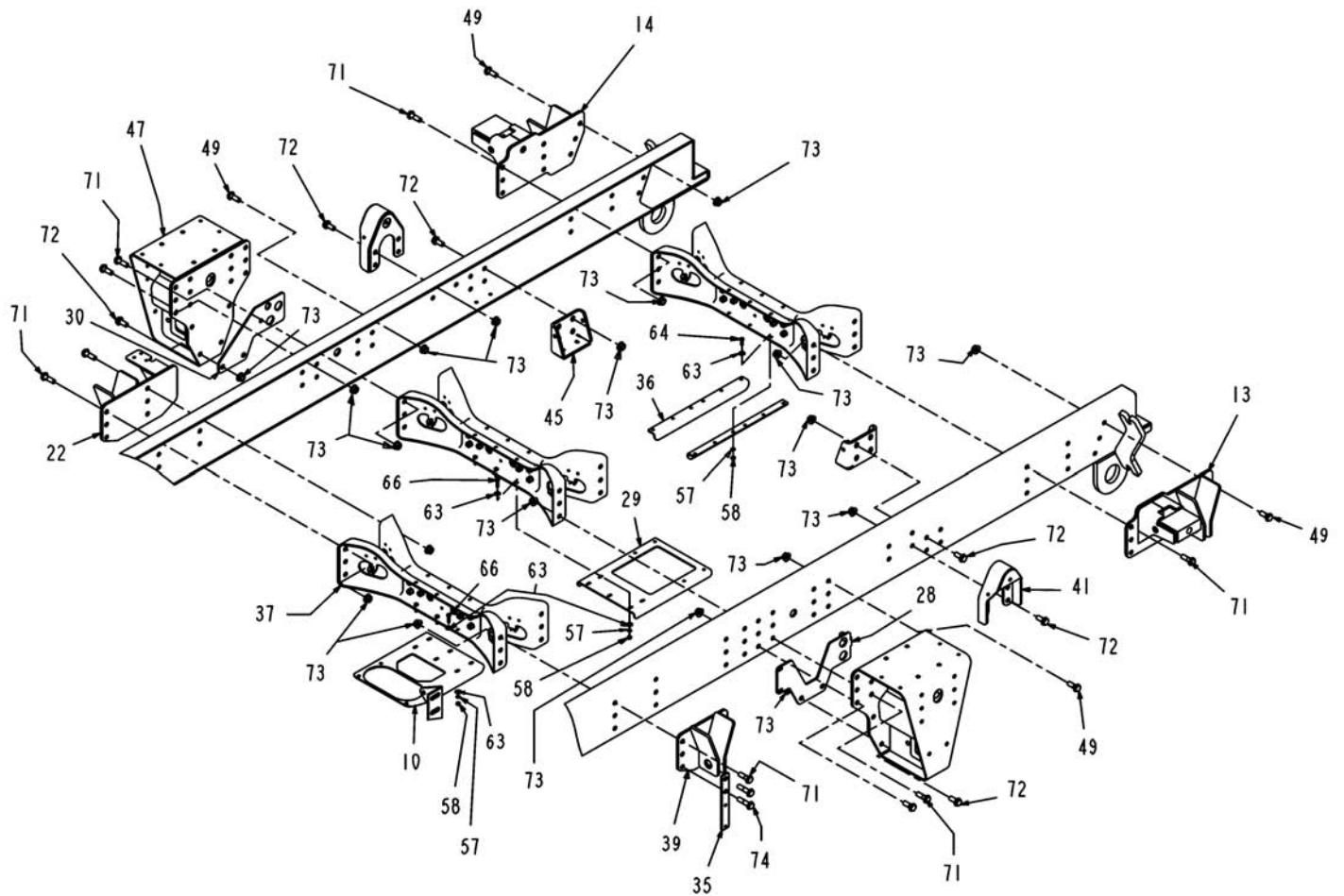
ITEM	PART #	QTY	DESCRIPTION	COMMENTS
1	AG120463	2	SPACER-.750 ODX.438IDX.188LG	
2	AG120932	1	SUPPORT WLDMT-PIVOT,CAB,FRONT	
3	AG120970	2	SPACER-SPRING HANGER	
4	AG121364	1	CROSSMEMBER WLDMT-FRONT	
5	AG121545	1	BRACKET WLDMT-BATTERY TRAY	
6	AG121776	1	COVER-BATTERY BOX, LOWER	
7	AG122525	1	BRACKET-MTG,HYD TANK,X-MBR	
8	AG122526	1	SPACER-HYD TANK,X-MBR	
9	AG122528	1	WLDMT-OFFSET,ELEC CABINET	
10	AG123668	1	BRKT-MOUNT,HYD TWIN RTN MNFLD	
11	AG123914	1	RAIL WLDMT-FRAME,LH	
12	AG123915	1	RAIL WLDMT-FRAME,RH	
13	AG123916	1	BRACKET WLDMT,REAR COMBO,LH	
14	AG123917	1	BRACKET WLDMT,REAR COMBO,RH	
15	AG123925	2	BRKT WLDMT-SPRING HANGER,FRONT	
16	AG125211	1	BRKT,AIR CLEANER	
17	AG125832	1	BRACKET-HOSE SUPPORT	
18	AG130027	1	BRKT WLDMT-PLATFORM & FUEL RES	SEE PAGE 10-12
19	AG130029	2	BRKT WLDMT-HYD RES & P/W	
20	AG130030	1	BRKT WLDMT-FUEL RES	
21	AG130053	1	BRKT WLDMT-PLATFORM	
22	AG130207	1	BRACKET WLDMT-SYSTEM MOUNT	
23	AG131761	1	BOX-WLDMT,ELECTRICAL	
24	AG132266	1	BRKT WLDMT-MTG,FUEL/CAB,1064C	
25	AG132268	1	BRKT WLDMT-FUEL/CAB,RH,1064C	
26	AG132271	2	BRKT-XMBR MTG,CAB,REAR,LH	
27	AG132272	2	BRKT-XMBR MTG,CAB,REAR,RH	
28	AG132476	1	PLATE-BULKHEAD,REAR LEFT	
29	AG132477	1	BRKT-MTG,AIR TANK	
30	AG132479	1	PLATE-BULKHEAD,REAR RIGHT	
31	AG132591	1	BRKT WLDMT-PLATFORM	
32	AG132593	1	SUPPORT WLDMT-RADAR MOUNT	
33	AG133274	2	SCREW-THUMB,.31-18NCX.75 ZY	
34	AG134386	1	PLATE-MTG,SHIFT BLOCK	
35	AG262363	1	BRACKET-MTG,HOSE SUPPORT	
36	AG262473	2	BRKT-MTG,AIR TANK	
37	AG320830	3	CROSSMEMBER ASM	SEE PAGE 2-4
38	AG327751	1	STIFFENER-MTG BRKT	
39	AG327819	1	BRACKET WLDMT-SYSTEM MOUNT	
40	AG327865	2	BRACKET WLDMT-MTG,ENGINE,REAR	
41	AG327877	4	BRKT WLDMT-MTG,SHOCK ABSORBER	
42	AG327879	2	CHANNEL WLDMT-XMBR MOUNT	
43	AG327887	2	BRACKET WLDMT,SPR HANGER,REAR	
44	AG327892	1	CROSSMEMBER-MTG,CAB,REAR	
45	AG328390	2	STIFFENER-FRAME FLANGE	
46	AG407964	2	CROSSMEMBER	
47	AG424408	2	BRKT WLDMT-SPRING HANGER,FRONT	
48	AG514771	46	BOLT 0.50-20 X 1.50 G8 HX FLG	
49	AG517556	50	BOLT 0.62-18 X 1.75 G8 HX FLG	
50	AG518631	-	WIRE 18 GA GPT BULK WHT/TAN [BULK: 1.000 FT]	
51	AG520885	5	NUT-.38-16,G5,ZN,FLG,H	
52	AG522562	5	NUT-.38-16,SS,SFLG,H	
53	AG523329	5	BOLT-.38-16X1.00,G8,PL,FLG,HHD	
54	AG550124	3	NUT 0.50-13NC HEX ZN REG	
55	AG550175	3	BOLT 0.37-16NCX 1.00 G5 ZN HHD	
56	AG550191	3	WASHER LK 0.37 ZN REG	
57	AG550205	15	WASHER LK 0.31 ZN REG	
58	AG550213	15	NUT 0.31-18NC HEX ZN REG	
59	AG550256	3	BOLT.50-13NCX1.25 G5 ZN HHD	
60	AG550264	3	WASHER 0.50 LK ZN REG	



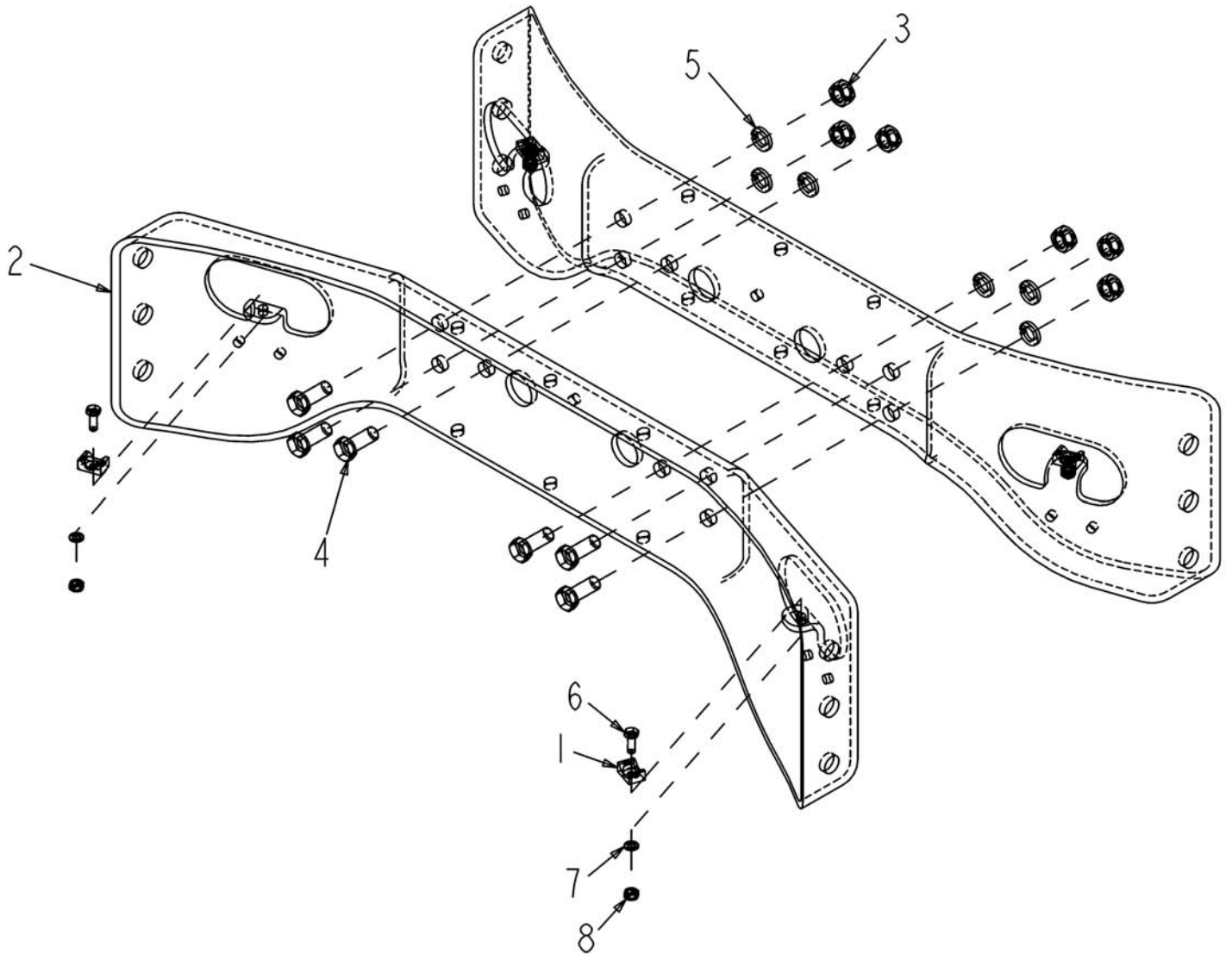
ITEM	PART #	QTY	DESCRIPTION	COMMENTS
61	AG550825	3	NUT 0.37-16NC HEX ZN REG	
62	AG551007	3	WASHER FL 0.37 ZN REG TYPE-B	
63	AG551015	26	WASHER 0.31 FL ZN REG TYPE-B	
64	AG551252	4	BOLT 0.31-18NCX 1.00 G5 ZN HHD	
65	AG551503	1	BOLT 0.37-16NCX 0.75 G5 ZN HHD	
66	AG559105	11	BOLT 0.31-18NCX 1.25 G5 ZN HHD	
67	AG561617	2	WASHER 0.50 FL ZN SAE TYPE-A	
68	AG562048	2	BOLT 0.37-16NCX 1.00 S.S. HHD	
69	AG562073	2	WASHER FL 0.37 SS REG	
70	AG606489	46	NUT HX FLG 0.50-20NF	
71	AG609311	58	BOLT 0.62-18 X 2.00 G8 HX FLG	
72	AG609312	78	BOLT 0.62-18 X 1.50 G8 HXFLG	
73	AG609313	188	NUT HX FLG 0.62-18NF	
74	AG609314	2	BOLT 0.62-18 X 2.50 G8 HX FLG	



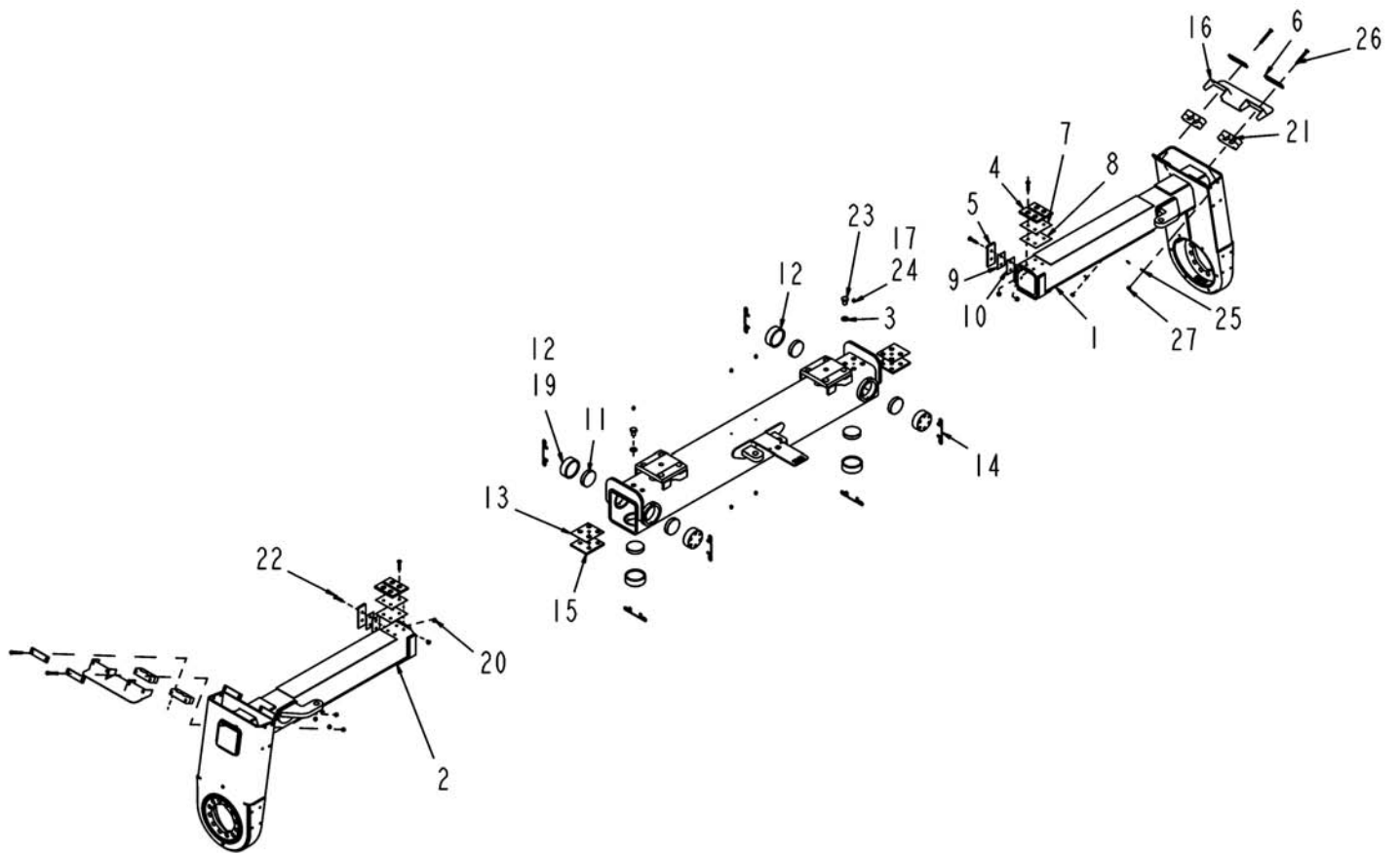
ITEM	PART #	QTY	DESCRIPTION	COMMENTS
1	AG120463	2	SPACER-.750 ODX.438IDX.188LG	
2	AG120932	1	SUPPORT WLDMT-PIVOT,CAB,FRONT	
3	AG120970	2	SPACER-SPRING HANGER	
4	AG121364	1	CROSSMEMBER WLDMT-FRONT	
5	AG121545	1	BRACKET WLDMT-BATTERY TRAY	
6	AG121776	1	COVER-BATTERY BOX, LOWER	
7	AG122525	1	BRACKET-MTG,HYD TANK,X-MBR	
8	AG122526	1	SPACER-HYD TANK,X-MBR	
9	AG122528	1	WLDMT-OFFSET,ELEC CABINET	
10	AG123668	1	BRKT-MOUNT,HYD TWIN RTN MNFLD	
11	AG123914	1	RAIL WLDMT-FRAME,LH	
12	AG123915	1	RAIL WLDMT-FRAME,RH	
13	AG123916	1	BRACKET WLDMT,REAR COMBO,LH	
14	AG123917	1	BRACKET WLDMT,REAR COMBO,RH	
15	AG123925	2	BRKT WLDMT-SPRING HANGER,FRONT	
16	AG125211	1	BRKT,AIR CLEANER	
17	AG125832	1	BRACKET-HOSE SUPPORT	
18	AG130027	1	BRKT WLDMT-PLATFORM & FUEL RES	SEE PAGE 10-12
19	AG130029	2	BRKT WLDMT-HYD RES & P/W	
20	AG130030	1	BRKT WLDMT-FUEL RES	
21	AG130053	1	BRKT WLDMT-PLATFORM	
22	AG130207	1	BRACKET WLDMT-SYSTEM MOUNT	
23	AG131761	1	BOX-WLDMT,ELECTRICAL	
24	AG132266	1	BRKT WLDMT-MTG,FUEL/CAB,1064C	
25	AG132268	1	BRKT WLDMT-FUEL/CAB,RH,1064C	
26	AG132271	2	BRKT-XMBR MTG,CAB,REAR,LH	
27	AG132272	2	BRKT-XMBR MTG,CAB,REAR,RH	
28	AG132476	1	PLATE-BULKHEAD,REAR LEFT	
29	AG132477	1	BRKT-MTG,AIR TANK	
30	AG132479	1	PLATE-BULKHEAD,REAR RIGHT	
31	AG132591	1	BRKT WLDMT-PLATFORM	
32	AG132593	1	SUPPORT WLDMT-RADAR MOUNT	
33	AG133274	2	SCREW-THUMB,.31-18NCX.75 ZY	
34	AG134386	1	PLATE-MTG,SHIFT BLOCK	
35	AG262363	1	BRACKET-MTG,HOSE SUPPORT	
36	AG262473	2	BRKT-MTG,AIR TANK	
37	AG320830	3	CROSSMEMBER ASM	SEE PAGE 2-4
38	AG327751	1	STIFFENER-MTG BRKT	
39	AG327819	1	BRACKET WLDMT-SYSTEM MOUNT	
40	AG327865	2	BRACKET WLDMT-MTG,ENGINE,REAR	
41	AG327877	4	BRKT WLDMT-MTG,SHOCK ABSORBER	
42	AG327879	2	CHANNEL WLDMT-XMBR MOUNT	
43	AG327887	2	BRACKET WLDMT,SPR HANGER,REAR	
44	AG327892	1	CROSSMEMBER-MTG,CAB,REAR	
45	AG328390	2	STIFFENER-FRAME FLANGE	
46	AG407964	2	CROSSMEMBER	
47	AG424408	2	BRKT WLDMT-SPRING HANGER,FRONT	
48	AG514771	46	BOLT 0.50-20 X 1.50 G8 HX FLG	
49	AG517556	50	BOLT 0.62-18 X 1.75 G8 HX FLG	
50	AG518631	-	WIRE 18 GA GPT BULK WHT/TAN [BULK: 1.000 FT]	
51	AG520885	5	NUT-.38-16,G5,ZN,FLG,H	
52	AG522562	5	NUT-.38-16,SS,SFLG,H	
53	AG523329	5	BOLT-.38-16X1.00,G8,PL,FLG,HHD	
54	AG550124	3	NUT 0.50-13NC HEX ZN REG	
55	AG550175	3	BOLT 0.37-16NCX 1.00 G5 ZN HHD	
56	AG550191	3	WASHER LK 0.37 ZN REG	
57	AG550205	15	WASHER LK 0.31 ZN REG	
58	AG550213	15	NUT 0.31-18NC HEX ZN REG	
59	AG550256	3	BOLT.50-13NCX1.25 G5 ZN HHD	
60	AG550264	3	WASHER 0.50 LK ZN REG	



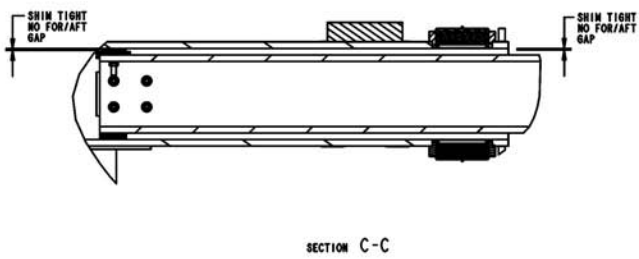
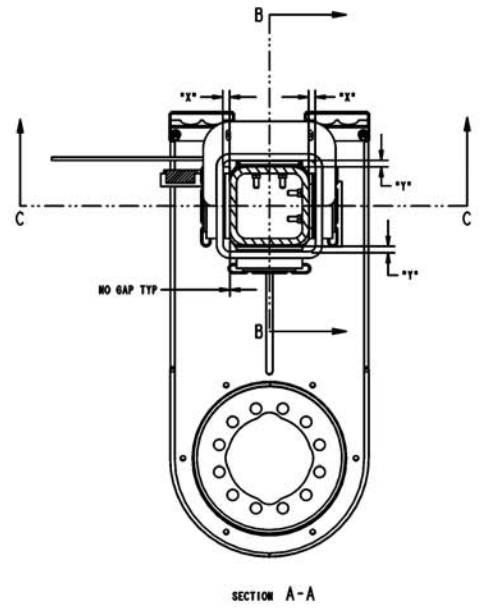
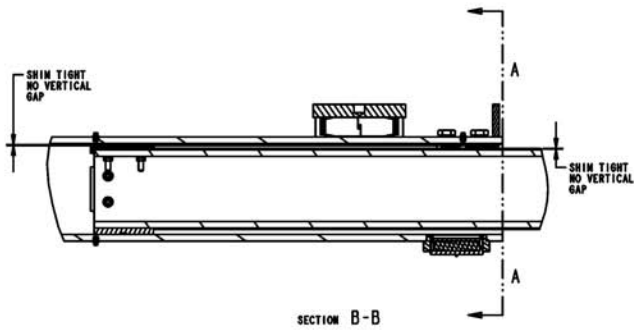
ITEM	PART #	QTY	DESCRIPTION	COMMENTS
61	AG550825	3	NUT 0.37-16NC HEX ZN REG	
62	AG551007	3	WASHER FL 0.37 ZN REG TYPE-B	
63	AG551015	26	WASHER 0.31 FL ZN REG TYPE-B	
64	AG551252	4	BOLT 0.31-18NCX 1.00 G5 ZN HHD	
65	AG551503	1	BOLT 0.37-16NCX 0.75 G5 ZN HHD	
66	AG559105	11	BOLT 0.31-18NCX 1.25 G5 ZN HHD	
67	AG561617	2	WASHER 0.50 FL ZN SAE TYPE-A	
68	AG562048	2	BOLT 0.37-16NCX 1.00 S.S. HHD	
69	AG562073	2	WASHER FL 0.37 SS REG	
70	AG606489	46	NUT HX FLG 0.50-20NF	
71	AG609311	58	BOLT 0.62-18 X 2.00 G8 HX FLG	
72	AG609312	78	BOLT 0.62-18 X 1.50 G8 HXFLG	
73	AG609313	188	NUT HX FLG 0.62-18NF	
74	AG609314	2	BOLT 0.62-18 X 2.50 G8 HX FLG	



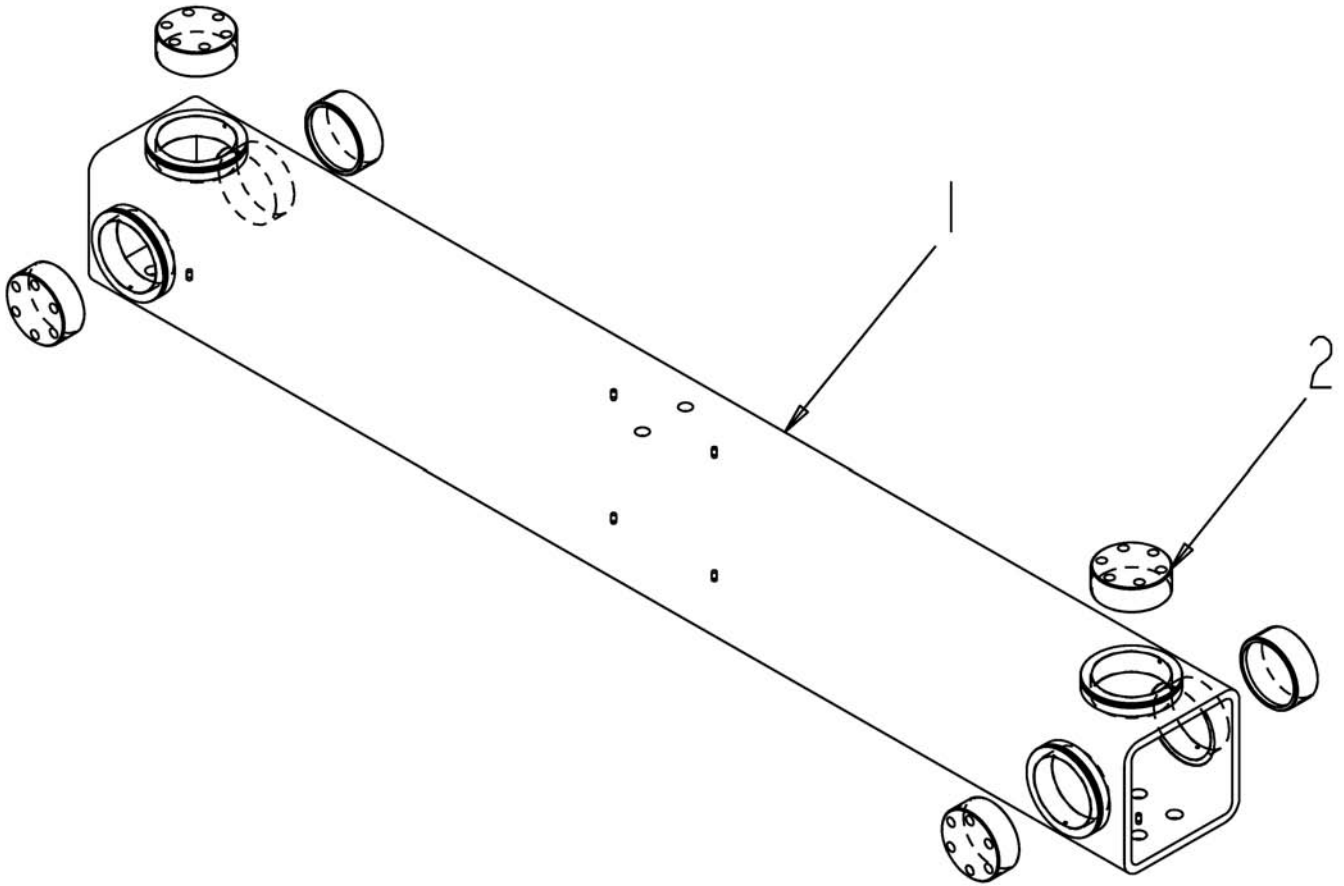
ITEM	PART #	QTY	DESCRIPTION	COMMENTS
1	AG518618	4	MOUNTING BASE SCREW .25	
2	AG518945	2	CROSSMEMBER-95	
3	AG550124	6	NUT 0.50-13NC HEX ZN REG	
4	AG550256	6	BOLT.50-13NCX1.25 G5 ZN HHD	
5	AG550264	6	WASHER 0.50 LK ZN REG	
6	AG550485	4	BOLT.25-20NCX.75 G5 ZN HHD	
7	AG550493	4	WASHER LK 0.25 ZN REG	
8	AG550612	4	NUT 0.25-20NC HEX ZN REG	



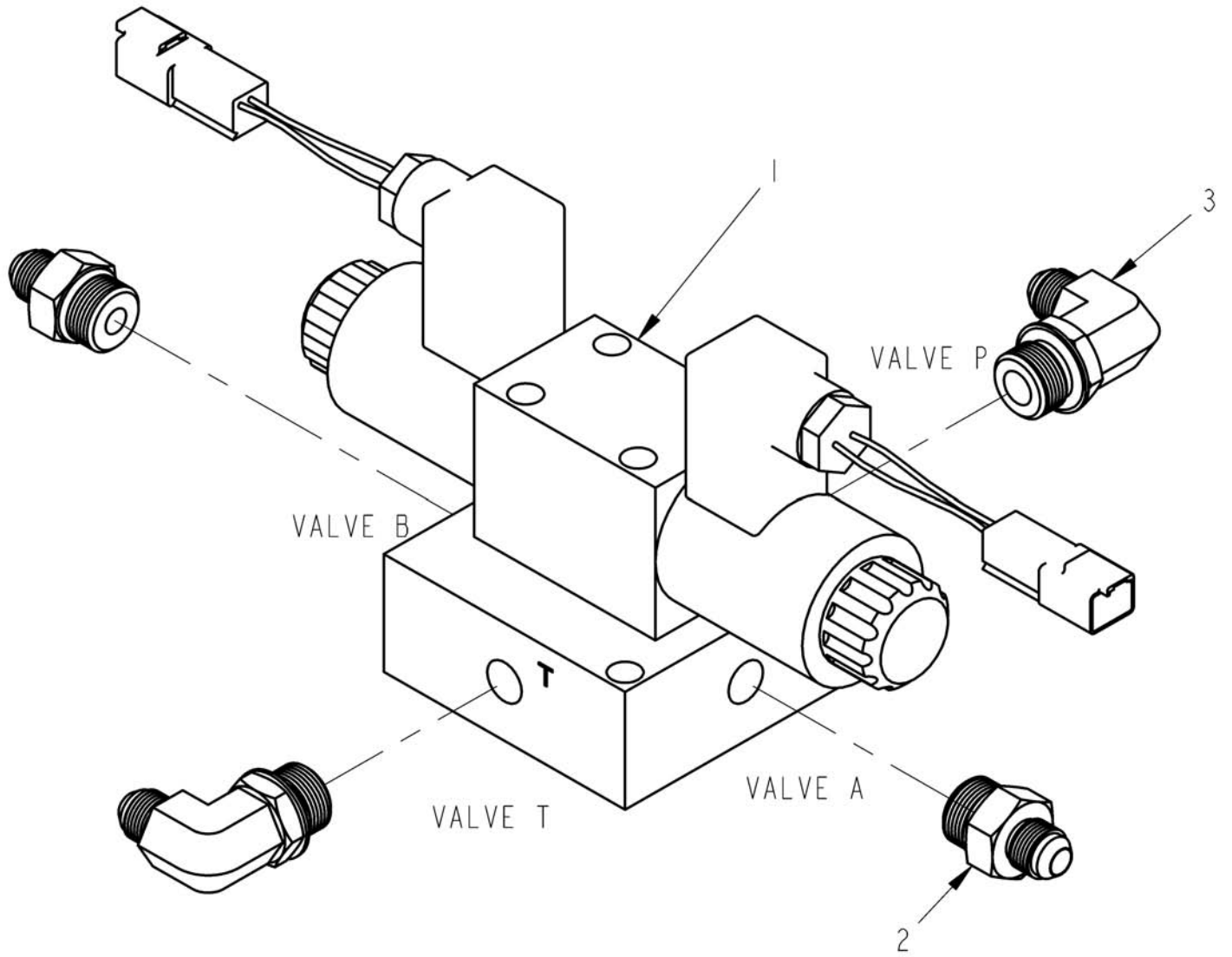
ITEM	PART #	QTY	DESCRIPTION	COMMENTS
1	AG120961	1	LEG WLDMT-WHEEL REAR RH	
2	AG120962	1	LEG WLDMT-WHEEL REAR LH	
3	AG122800	8	WASHER-FLAT .75 NR,PL ZN/Y	
4	AG231449	2	PAD GREASE LARG .38	
5	AG231454	2	PAD WEAR SMALL .38	
6	AG237961	4	PLATE-COVER	[A]
7	AG260929	AR	SHIM-WEAR PAD,LARGE,20GA	
8	AG260930	AR	SHIM-WEAR PAD,LARGE,16GA	
9	AG260931	AR	SHIM-WEAR PAD,SMALL,20GA	
10	AG260932	AR	SHIM-WEAR PAD,SMALL,16GA	
11	AG262873	6	PAD-WEAR,STEEL	
12	AG262879	-	ADJUSTER-WEAR PAD	
13	AG262955	2	SHIM-WEAR PAD,UPPER	
14	AG263035	6	CLIP-RETAINING,WEAR PAD	
15	AG328338	2	PAD-WEAR,AXLE,UPPER,STEEL	
16	AG423319	2	COVER WLDMT-WHEEL LEG,REAR	
17	AG511099	-	GREASE-MULTI PURPOSE LITH. [BULK: 0.001 LB]	
18	AG512885	AR	LOCTITE ADHESIVE SEALANT BLUE	
19	AG516064	AR	ANTI SEIZE	
20	AG518511	12	NUT FLANGE .38-24 UNF	
21	AG521587	4	CLAMP-TWIN,1.50,POLY	
22	AG522486	12	SCR-.38-24X2.00,G8,S,FH,CA	
23	AG524079	8	BOLT HEX .75-10UNCX1.00SS,HHD	
24	AG550280	6	FITTING LUB.12-27NPTFX0.68	
25	AG550981	8	WASHER 0.37 FL ZN SAE TYPE-A	
26	AG551058	8	BOLT 0.37-16NCX 3.25 G5 ZN HHD	
27	AG557676	8	NUT 0.37-16NC HEX ZN C-LK	
	FOOTNOTE [A]		PLATE THAT COVER BOLTS - AG237959	



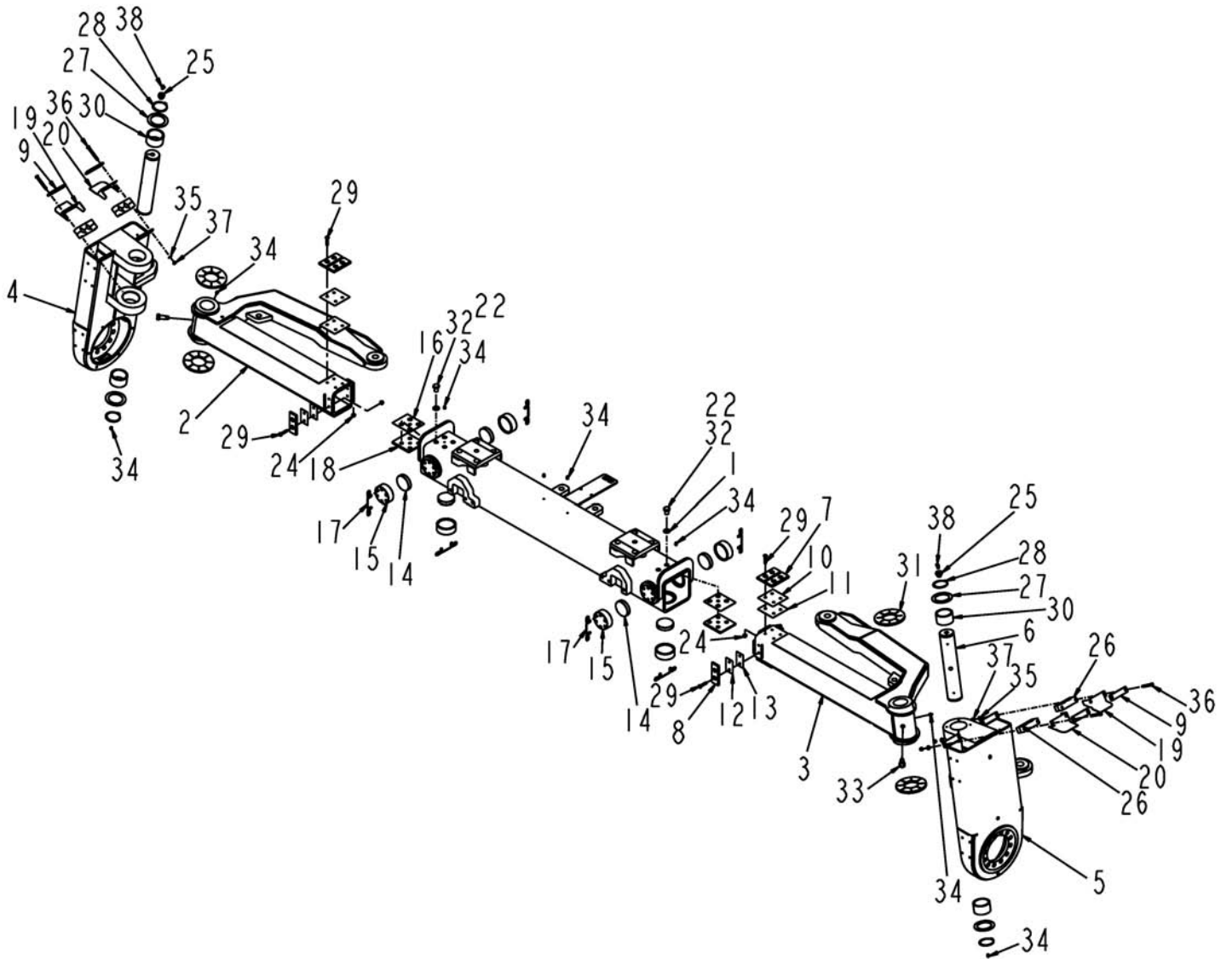
ITEM	PART #	QTY	DESCRIPTION	COMMENTS
1	AG120961	1	LEG WLDMT-WHEEL REAR RH	
2	AG120962	1	LEG WLDMT-WHEEL REAR LH	
3	AG122800	8	WASHER-FLAT .75 NR,PL ZN/Y	
4	AG231449	2	PAD GREASE LARG .38	
5	AG231454	2	PAD WEAR SMALL .38	
6	AG237961	4	PLATE-COVER	[A]
7	AG260929	AR	SHIM-WEAR PAD,LARGE,20GA	
8	AG260930	AR	SHIM-WEAR PAD,LARGE,16GA	
9	AG260931	AR	SHIM-WEAR PAD,SMALL,20GA	
10	AG260932	AR	SHIM-WEAR PAD,SMALL,16GA	
11	AG262873	6	PAD-WEAR,STEEL	
12	AG262879	-	ADJUSTER-WEAR PAD	
13	AG262955	2	SHIM-WEAR PAD,UPPER	
14	AG263035	6	CLIP-RETAINING,WEAR PAD	
15	AG328338	2	PAD-WEAR,AXLE,UPPER,STEEL	
16	AG423319	2	COVER WLDMT-WHEEL LEG,REAR	
17	AG511099	-	GREASE-MULTI PURPOSE LITH. [BULK: 0.001 LB]	
18	AG512885	AR	LOCTITE ADHESIVE SEALANT BLUE	
19	AG516064	AR	ANTI SEIZE	
20	AG518511	12	NUT FLANGE .38-24 UNF	
21	AG521587	4	CLAMP-TWIN,1.50,POLY	
22	AG522486	12	SCR-.38-24X2.00,G8,S,FH,CA	
23	AG524079	8	BOLT HEX .75-10UNCX1.00SS,HHD	
24	AG550280	6	FITTING LUB.12-27NPTFX0.68	
25	AG550981	8	WASHER 0.37 FL ZN SAE TYPE-A	
26	AG551058	8	BOLT 0.37-16NCX 3.25 G5 ZN HHD	
27	AG557676	8	NUT 0.37-16NC HEX ZN C-LK	
	FOOTNOTE [A]		PLATE THAT COVER BOLTS - AG237959	



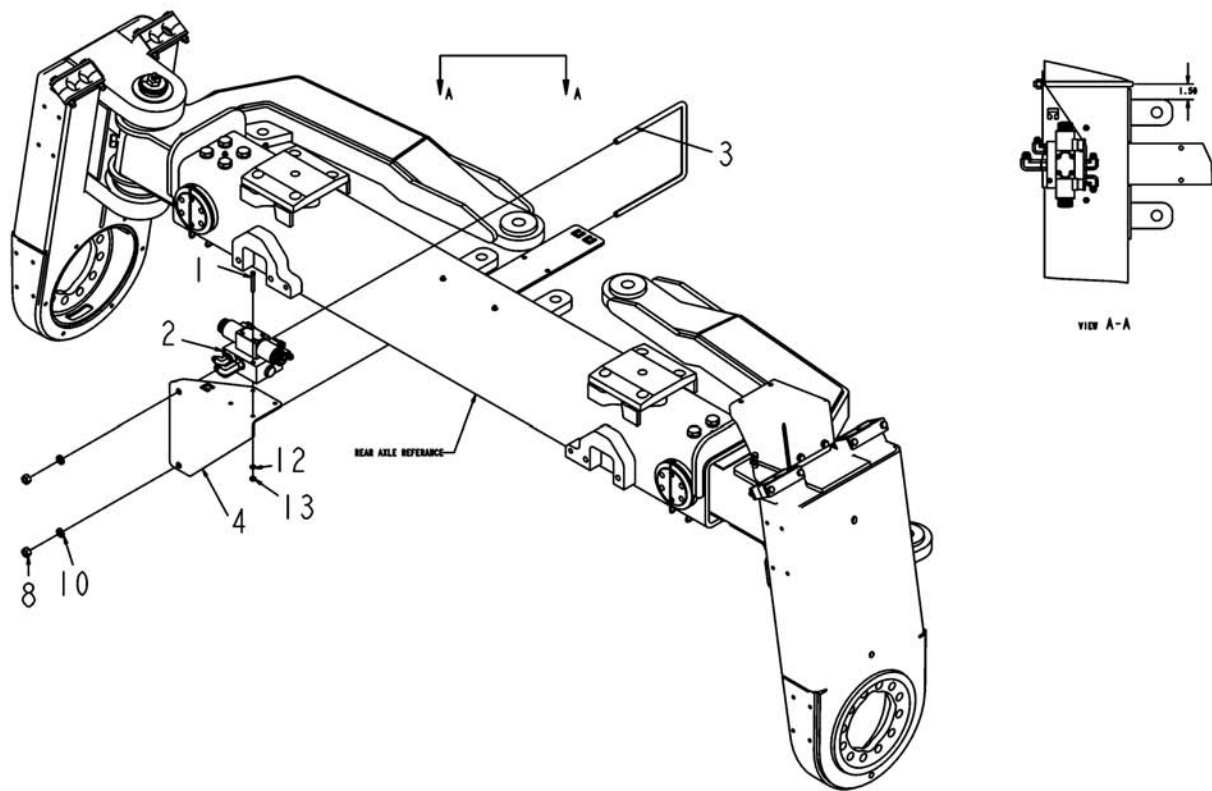
ITEM	PART #	QTY	DESCRIPTION	COMMENTS
1	AG120869	1	AXEL-MACHINING 8X8	
2	AG262879	6	ADJUSTER-WEAR PAD	



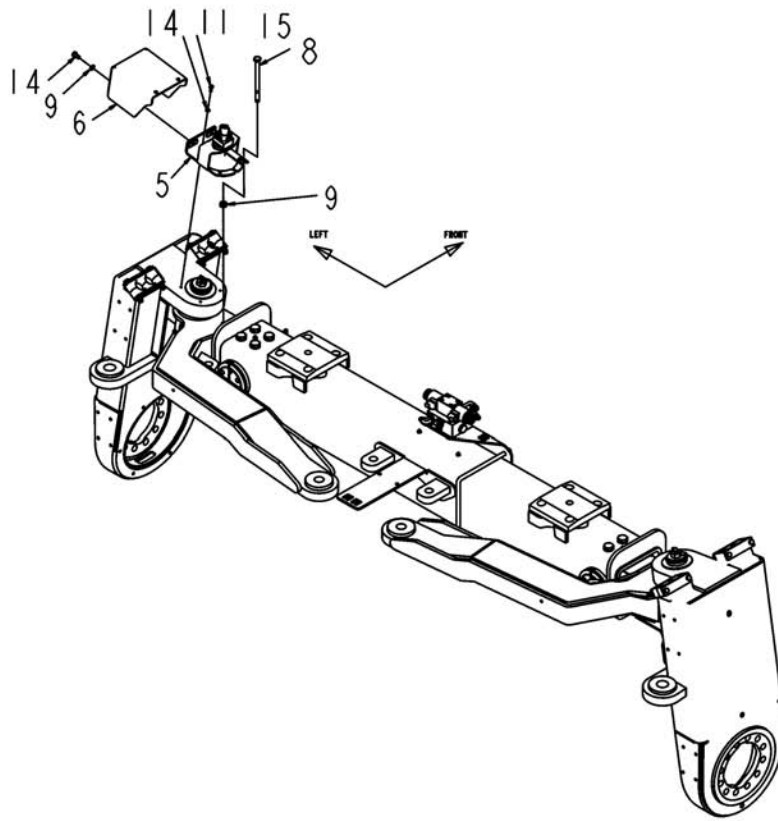
ITEM	PART #	QTY	DESCRIPTION	COMMENTS
1	AG120972	1	VALVE,HYD,4X4 STEER,AGCO	SEE PAGE 5-2
2	AG561308	2	ADAP STR 0.50MO-R X 0.37MJIC	[A]
3	AG562204	2	ELBOW-8MB90X-6MJ	[B]
	FOOTNOTE [A]		AG713670 O-RING, USED FOR THE ADAPTION OF AG515950 TO A AG523053	
	FOOTNOTE [B]		AG713670 O-RING	



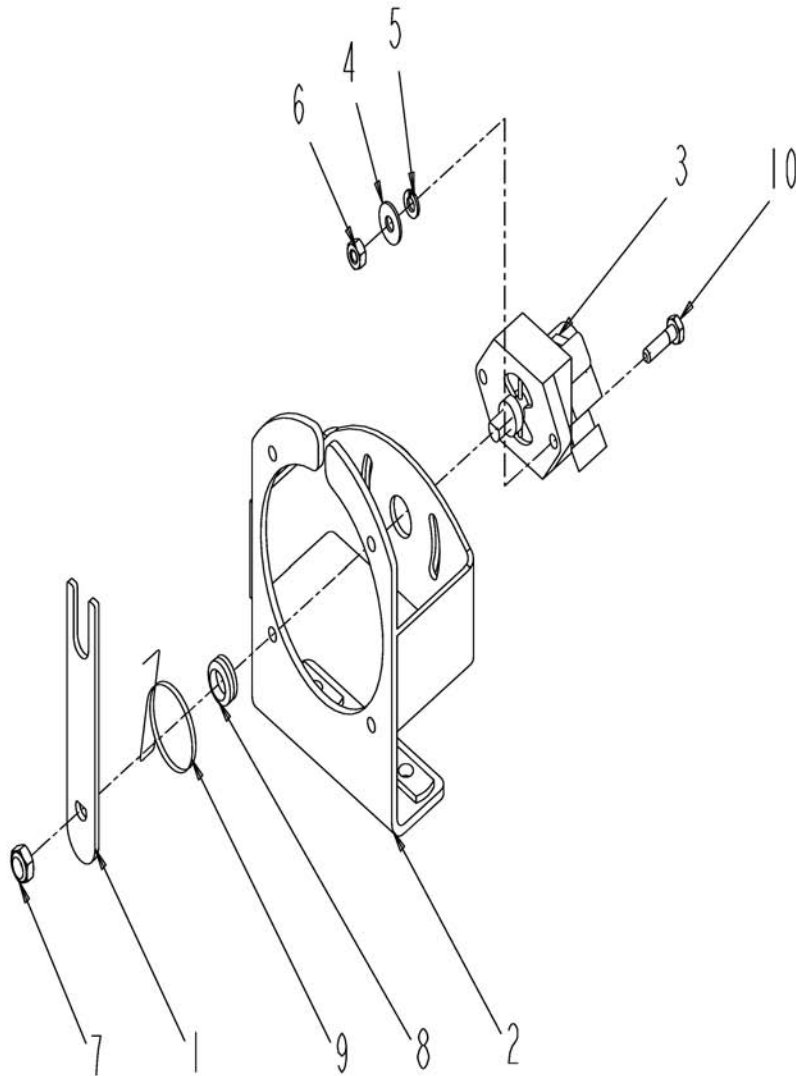
ITEM	PART #	QTY	DESCRIPTION	COMMENTS
1	AG122800	8	WASHER-FLAT .75 NR,PL ZN/Y	
2	AG124340	1	AXLE WLDMT-6X6,STEERABLE,RH	
3	AG124341	1	AXLE WLDMT-6X6,STEERABLE,LH	
4	AG124344	1	LEG-WHEEL,STR,MACH,RH REAR	
5	AG124345	1	LEG-WHEEL,STR,MACH,LH REAR	
6	AG130173	2	PIN-KING,3.00	
7	AG231449	2	PAD GREASE LARG .38	
8	AG231454	2	PAD WEAR SMALL .38	
9	AG237961	4	PLATE-COVER	[A]
10	AG260929	AR	SHIM-WEAR PAD,LARGE,20GA	
11	AG260930	AR	SHIM-WEAR PAD,LARGE,16GA	
12	AG260931	AR	SHIM-WEAR PAD,SMALL,20GA	
13	AG260932	AR	SHIM-WEAR PAD,SMALL,16GA	
14	AG262873	6	PAD-WEAR,STEEL	
15	AG262879	-	ADJUSTER-WEAR PAD	
16	AG262955	2	SHIM-WEAR PAD,UPPER	
17	AG263035	1	CLIP-RETAINING,WEAR PAD	
18	AG328338	2	PAD-WEAR,AXLE,UPPER,STEEL	
19	AG423320	2	COVER-WHEEL LEG,RH	
20	AG423321	2	COVER-WHEEL LEG,LH	
21	AG511099	-	GREASE-MULTI PURPOSE LITH. [BULK: 0.001 LB]	
22	AG512885	AR	LOCTITE ADHESIVE SEALANT BLUE	
23	AG516064	AR	ANTI SEIZE	
24	AG518511	12	NUT FLANGE .38-24 UNF	
25	AG519525	2	BUSHING REDUCER 0.75NCX.125NPT	
26	AG521587	4	CLAMP-TWIN,1.50,POLY	
27	AG522356	4	BUSHING-MACHINERY,HEAVY,3.00ID	
28	AG522357	4	RING-RETAINING,EXT,3.00 DIA	
29	AG522486	12	SCR-.38-24X2.00,G8,S,FH,CA	
30	AG522722	4	BUSHING-JOURNAL,KING PIN	
31	AG522723	4	BUSHING-THRUST,KING PIN	
32	AG524079	8	BOLT HEX .75-10UNCX1.00SS,HHD	
33	AG524111	2	BOLT	
34	AG550280	8	FITTING LUB.12-27NPTFX0.68	
35	AG550981	8	WASHER 0.37 FL ZN SAE TYPE-A	
36	AG551058	8	BOLT 0.37-16NCX 3.25 G5 ZN HHD	
37	AG557676	8	NUT 0.37-16NC HEX ZN C-LK	
38	AG559083	2	FITTING LUB 90D 0.125 NPTF	
	FOOTNOTE [A]		PLATE THAT COVER BOLTS - AG237959	



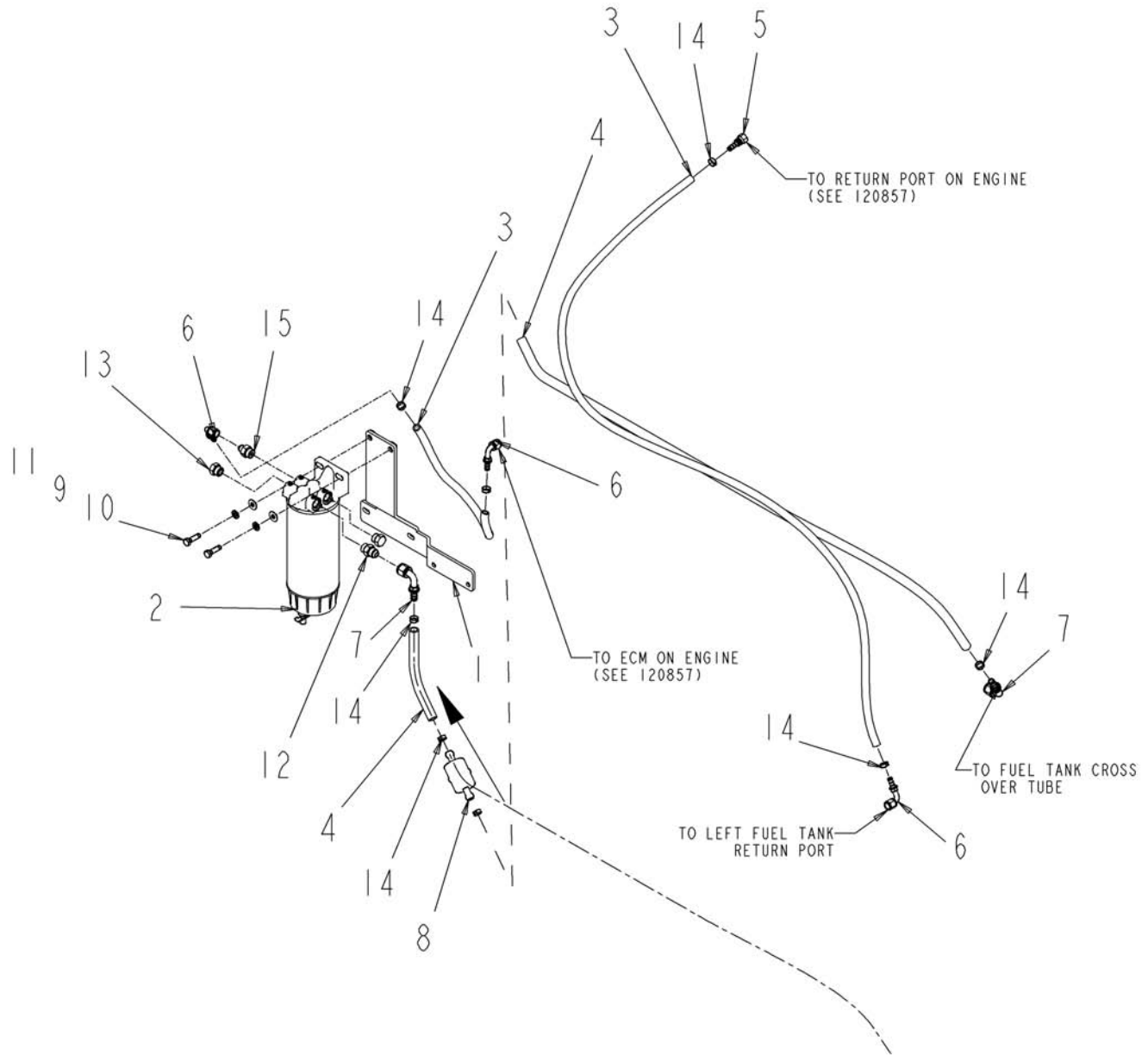
ITEM	PART #	QTY	DESCRIPTION	COMMENTS
1	AG122778	2	BOLT.25-20UNC X2.00,HEX SOCKET	
2	AG125820	1	VALVE ASM-STEERING,REAR	SEE PAGE 5-19
3	AG262322	1	BOLT-U,8.18X9.00 SQ	
4	AG262323	1	BRACKET-MTG,PROPORTIONAL VALVE	
5	AG328021	2	SENSOR ASM-STEER	SEE PAGE 3-6
6	AG424595	2	COVER-SENSOR,STEER	
7	AG512885	AR	LOCTITE ADHESIVE SEALANT BLUE	
8	AG550124	4	NUT 0.50-13NC HEX ZN REG	
9	AG550191	4	WASHER LK 0.37 ZN REG	
10	AG550264	2	WASHER 0.50 LK ZN REG	
11	AG550485	8	BOLT.25-20NCX.75 G5 ZN HHD	
12	AG550493	10	WASHER LK 0.25 ZN REG	
13	AG550612	2	NUT 0.25-20NC HEX ZN REG	
14	AG551503	4	BOLT 0.37-16NCX 0.75 G5 ZN HHD	
15	AG561203	2	BOLT 0.50-13NCX 6.50 G5 ZN HHD	



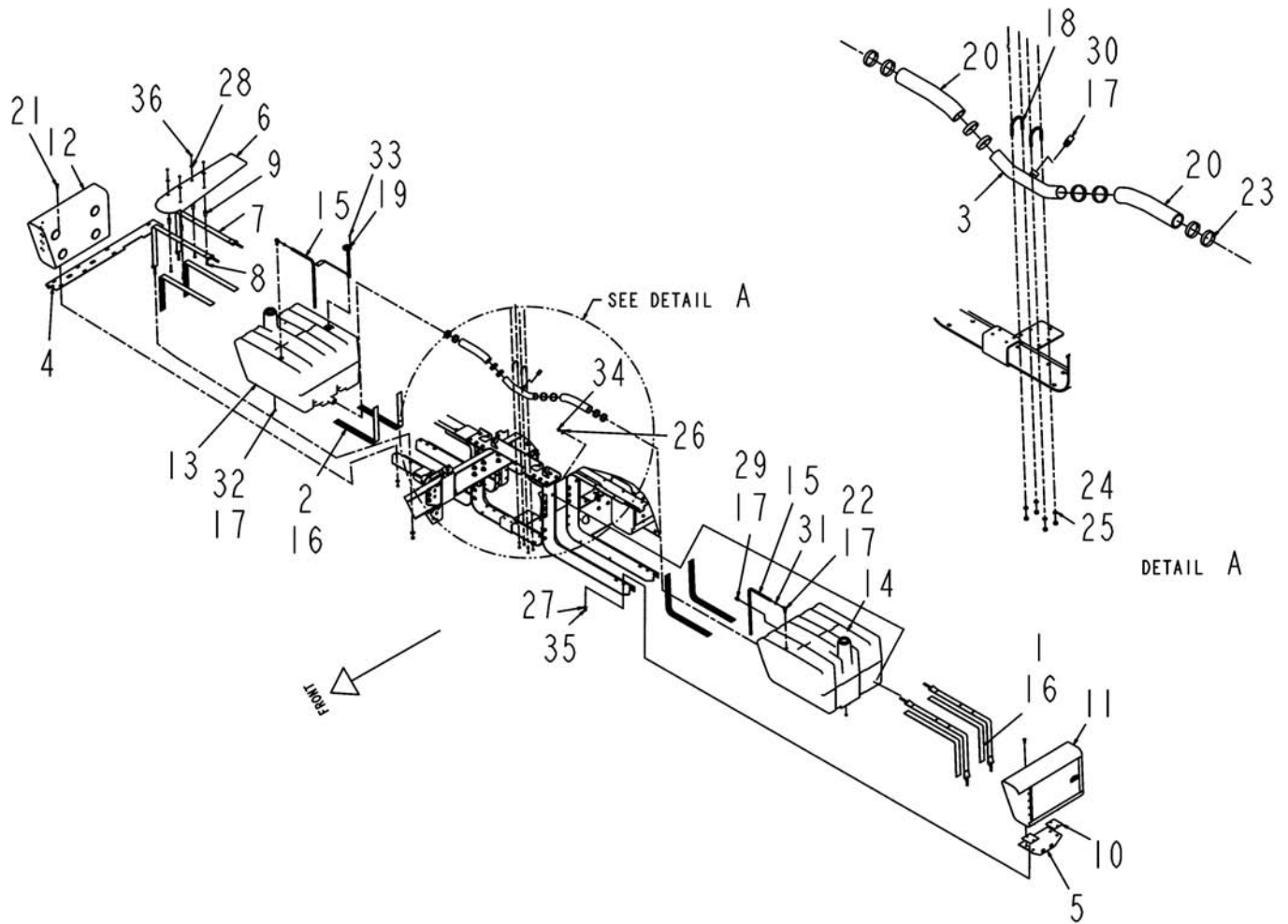
ITEM	PART #	QTY	DESCRIPTION	COMMENTS
1	AG122778	2	BOLT.25-20UNC X2.00,HEX SOCKET	
2	AG125820	1	VALVE ASM-STEERING,REAR	SEE PAGE 5-19
3	AG262322	1	BOLT-U,8.18X9.00 SQ	
4	AG262323	1	BRACKET-MTG,PROPORTIONAL VALVE	
5	AG328021	2	SENSOR ASM-STEER	SEE PAGE 3-6
6	AG424595	2	COVER-SENSOR,STEER	
7	AG512885	AR	LOCTITE ADHESIVE SEALANT BLUE	
8	AG550124	4	NUT 0.50-13NC HEX ZN REG	
9	AG550191	4	WASHER LK 0.37 ZN REG	
10	AG550264	2	WASHER 0.50 LK ZN REG	
11	AG550485	8	BOLT.25-20NCX.75 G5 ZN HHD	
12	AG550493	10	WASHER LK 0.25 ZN REG	
13	AG550612	2	NUT 0.25-20NC HEX ZN REG	
14	AG551503	4	BOLT 0.37-16NCX 0.75 G5 ZN HHD	
15	AG561203	2	BOLT 0.50-13NCX 6.50 G5 ZN HHD	



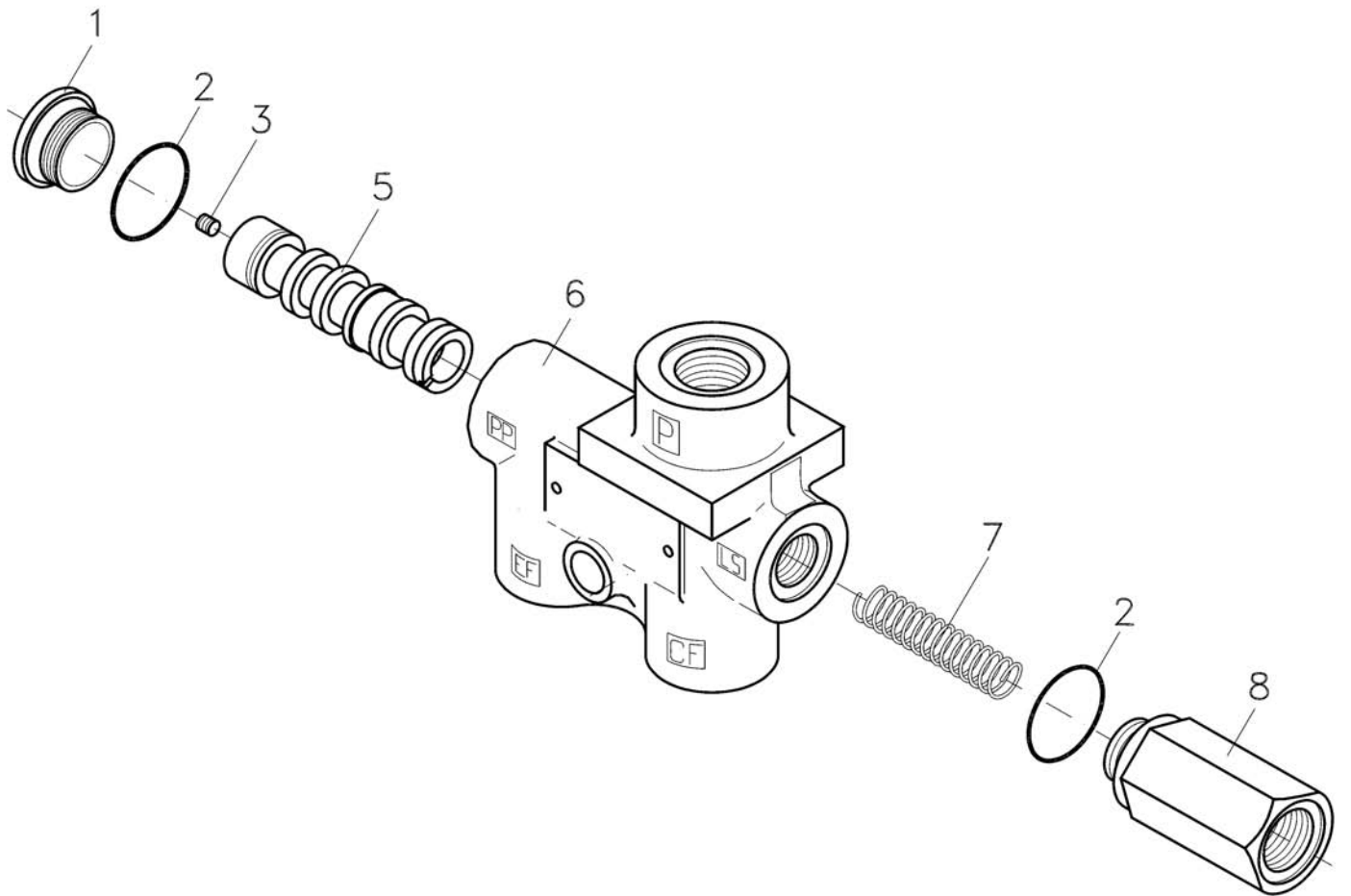
ITEM	PART #	QTY	DESCRIPTION	COMMENTS
1	AG262480	1	ARM-LEVER,SENSOR,STEER	
2	AG327962	1	BRACKET-MTG,SENSOR,STEER	
3	AG424577	1	SENSOR-STEER	[A]
4	AG515121	2	WASHER 0.25 FL SS REG	
5	AG515122	2	WASHER LK 0.25 SS REG	
6	AG515123	2	NUT 0.25-20NC HEX SS REG	
7	AG524075	1	NUT-.38-24,G2,THIN HEX,NYLOK	
8	AG524139	1	SEAL-SHAFT,V RING	
9	AG524140	1	SPRING-TOR,1.575DX.075WD	
10	AG562064	2	BOLT 0.25-20NCX 1.00 S.S. HHD	[B]
	FOOTNOTE [A]		FOR SENSOR ONLY USE AG523861	
	FOOTNOTE [A]		AG523861 - SENSOR ONLY	
	FOOTNOTE [B]		STAINLESS STEEL	



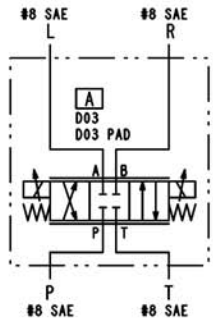
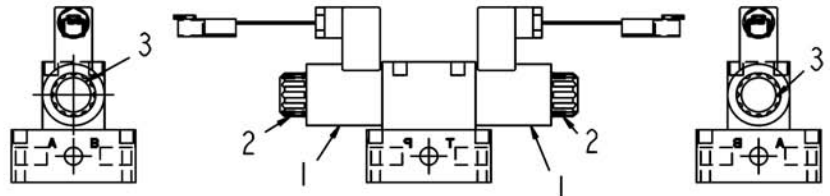
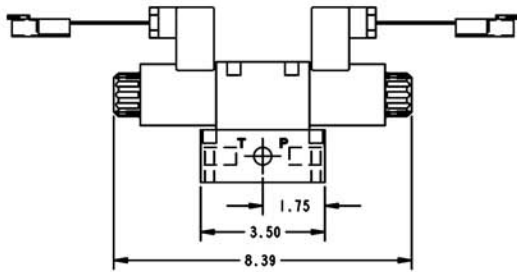
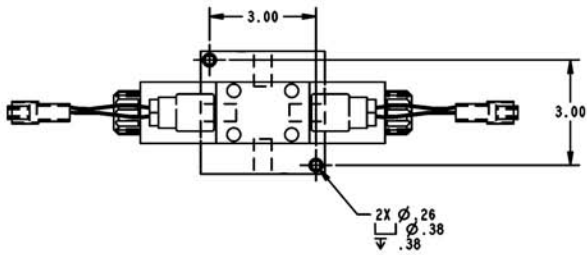
ITEM	PART #	QTY	DESCRIPTION	COMMENTS
1	AG121593	1	WLDMT-BRKT,FUEL FILTER	
2	AG121838	-	MNFLD-FILTER,REMOTE FUEL	SEE PAGE 1-1
3	AG510939	-	HOSE HYD 0.37 BULK 250PSI WP [BULK: 6.834 FT]	
4	AG510947	-	HOSE HYD 0.50 BULK 250PSI WP [BULK: 5.834 FT]	
5	AG519507	1	FITTING PUSH-LOK-6	
6	AG520426	3	FITTING-HOSE -6 FJS90	
7	AG524539	2	ELBOW-HYD,-8FJICX-8BARB,90D	
8	AG524540	1	STRAINER-INLINE,0.50,100 MESH	
9	AG550191	2	WASHER LK 0.37 ZN REG	
10	AG550515	2	BOLT 0.37-16NCX 1.25 G5 ZN HHD	
11	AG551015	2	WASHER 0.31 FL ZN REG TYPE-B	
12	AG551139	1	ADAP STR 0.50MO-R X 0.50 MJIC	[A]
13	AG560899	2	PLUG 0.50MO-R HEX	
14	AG561025	8	CLAMP HOSE .218 TO .625 U5S	
15	AG561308	1	ADAP STR 0.50MO-R X 0.37MJIC	[B]
	FOOTNOTE [A]		AG713670-O-RING	
	FOOTNOTE [B]		AG713670 O-RING, USED FOR THE ADAPTION OF AG515950 TO A AG523053	



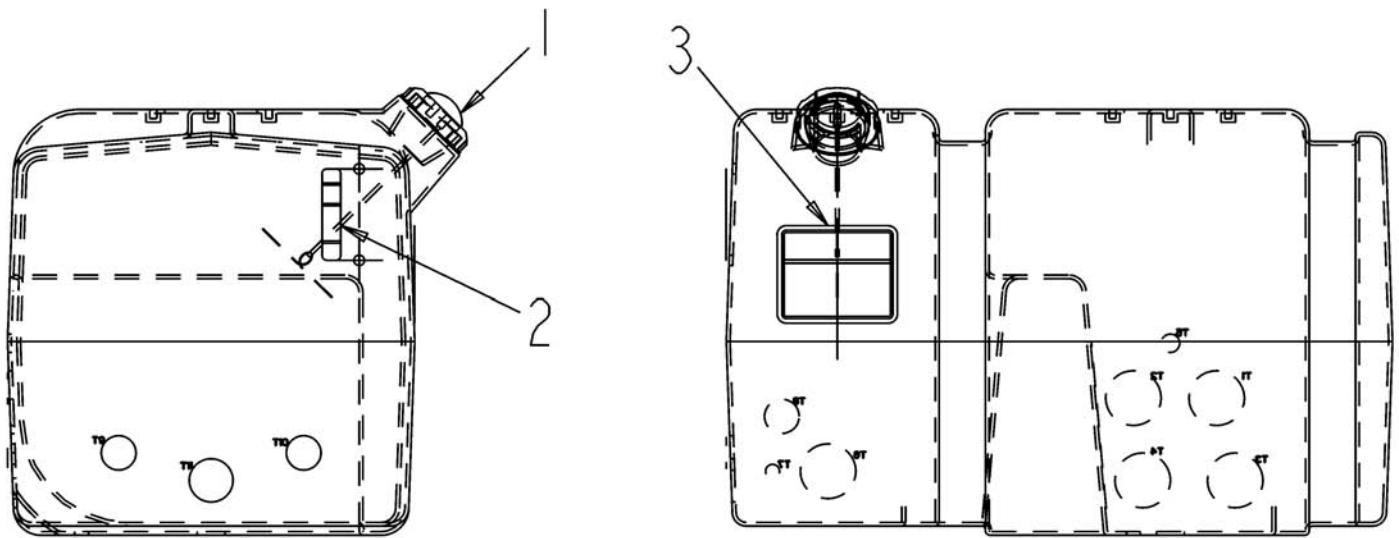
ITEM	PART #	QTY	DESCRIPTION	COMMENTS
1	AG109742	4	MATTING-RUBBER,2.00X44.50X.12	
2	AG109754	4	MATTING-RUBBER,2.00X46.00X.12	
3	AG120558	1	TUBE WLDMT-FUEL LINE	
4	AG122229	1	BRKT,STIFFNER,HAT SECTION	
5	AG122302	1	BRKT-AUX BAT POST	
6	AG125208	1	SHIELD-EXHAUST	
7	AG125210	4	STRAP WLDMT-FUEL TANK	
8	AG126403	4	BOLT-.31-18X2.75 G5 CRG ZN/Y	
9	AG130414	4	TUBE-RD,.75ODX.12WALL X 2.00LG	
10	AG262729	2	PLATE-SLOT SEALING	
11	AG325049	1	CABINET ASM-TOOL BOX,LH	SEE PAGE 10-10
12	AG325050	1	CABINET ASM-TOOL BOX,RH	SEE PAGE 10-11
13	AG504815	1	TANK-FUEL,65GL,POLY,RH	[A]
14	AG504816	1	TANK-FUEL,65GL,POLY,LH	[B]
15	AG510939	-	HOSE HYD 0.37 BULK 250PSI WP [BULK: 5.000 FT]	
16	AG512346	-	3M 1300 YELLOW ADHESIVE (GAL) [BULK: 0.001 GA]	[C]
17	AG512885	AR	LOCTITE ADHESIVE SEALANT BLUE	
18	AG518292	2	BOLT-U .31-18X2.00X 2.69 RD SS	
19	AG519556	1	SENDING UNIT FUEL LEVEL	[D]
20	AG522183	-	HOSE-FUEL,2.00 ID [BULK: 2.500 FT]	
21	AG522439	8	BOLT-.38-16X1.5,G5,ZN,CRG	
22	AG522453	2	VENT-FUEL,90D,.50MNPTX.38HOSEB	
23	AG523919	8	CLAMP-HIGH TORQUE,3.00	
24	AG550205	4	WASHER LK 0.31 ZN REG	
25	AG550213	4	NUT 0.31-18NC HEX ZN REG	
26	AG550353	8	WASHER 0.50 FL ZN REG TYPE-B	
27	AG551007	8	WASHER FL 0.37 ZN REG TYPE-B	
28	AG551015	4	WASHER 0.31 FL ZN REG TYPE-B	
29	AG551201	1	ADAP STR .37MNPT X .37MJIC (N)	
30	AG552461	1	ADAP STR 0.50MNPT X 0.50MJIC	
31	AG561025	2	CLAMP HOSE .218 TO .625 U5S	
32	AG561867	2	PLUG PIPE 0.25-18 EXT HEX HD	
33	AG562285	5	SCREW 10-32X0.50MA SL RHD ZN	
34	AG601152	8	NUT 0.50-13NC HEX ZN REG NY	
35	AG601411	8	NUT 0.37-16NC HEX ZN REG LK NY	
36	AG601888	4	NUT 0.31-18NC HEX ZN REG NY	
	FOOTNOTE [A]		FOR REPLACEMENT CAP USE AG055178	
	FOOTNOTE [B]		FOR REPLACEMENT CAP USE AG055178	
	FOOTNOTE [C]		AG717696 RUBBER ADHESIVE IN PINTS	
	FOOTNOTE [D]		EMPTY- 240 TO 260 UHMS	
	FOOTNOTE [D]		FULL - 28 TO 40 UHMS	
	FOOTNOTE [D]		COMES WITH CORK GASKET AND 5 SELF TAPPING SCREWS.	
	FOOTNOTE [D]		NEW STYLE FUEL SENDER IS AG122986	



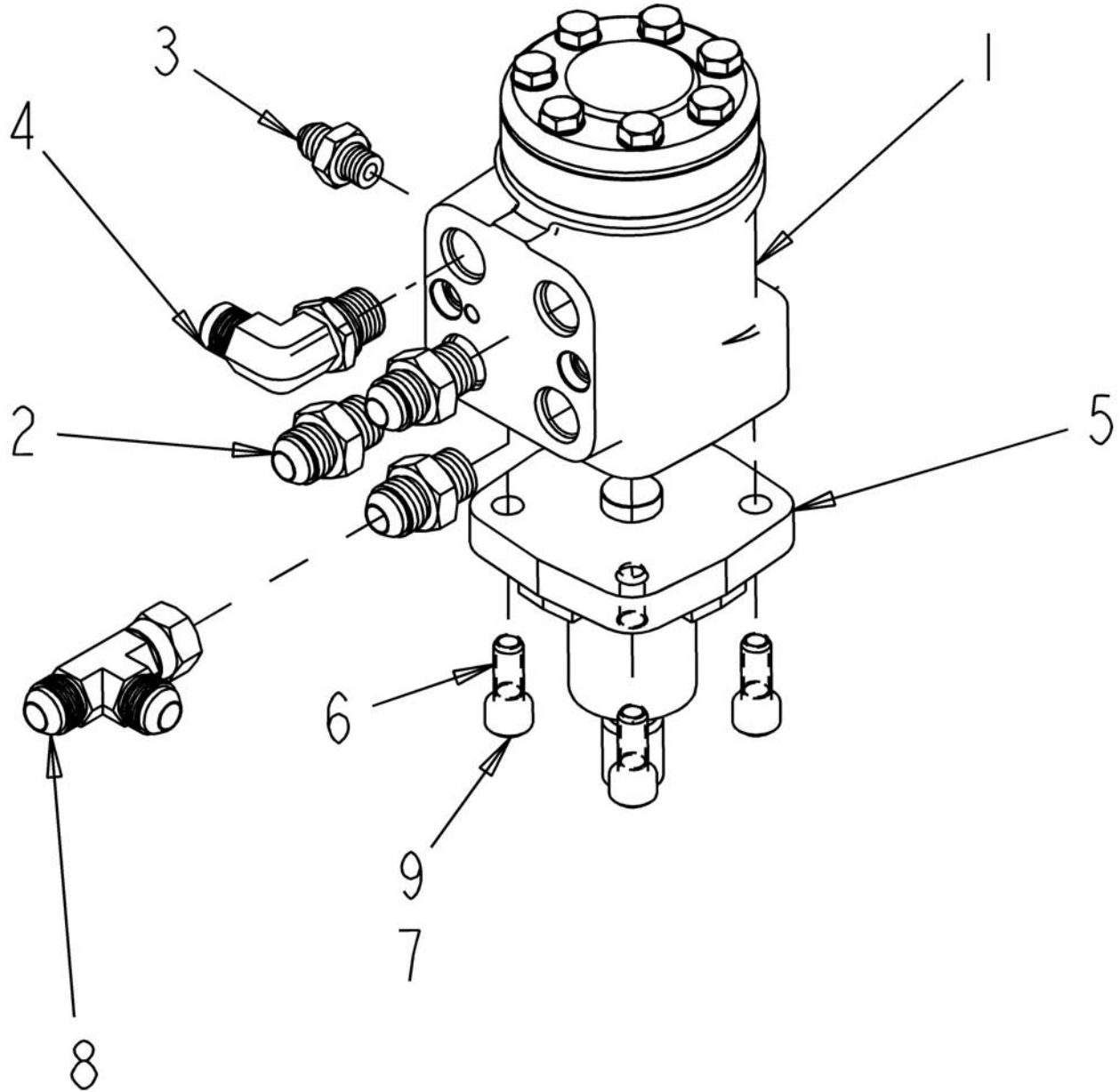
ITEM	PART #	QTY	DESCRIPTION	COMMENTS
REF	AG122807	1	INDICATOR-ELEC,22PSID DC	[A]
1	AG133559	1	INTERNAL PP-PLUG	
2	AG133560	2	O-RING	
3	AG133561	1	ORIFICE SCREW (PP)	
7	AG133562	1	SPRING 7 BAR	
8	AG133563	1	EXTERNAL LS PLUG 7/16-20 UNF	
	FOOTNOTE [A]		REPLACED BY AG727672 DUE TO A CHANGE MADE BY THE VENDOR.	



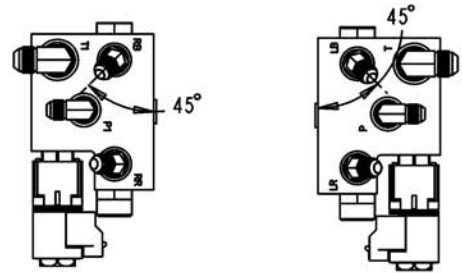
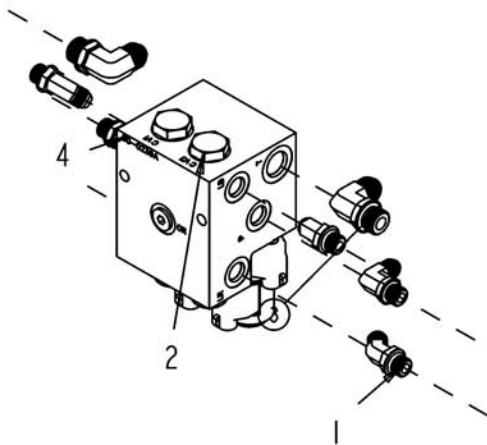
ITEM	PART #	QTY	DESCRIPTION	COMMENTS
1	AG122784	2	E-COIL	[A]
2	AG122785	2	E-COIL NUT	
3	AG122786	2	CARTRIGE	
	FOOTNOTE [A]		WHEN REPLACING THIS COIL ON 2003 ALL STEER UNITS ALSO ORDER	
	FOOTNOTE [A]		ADAPTER HARNESS AG061270	
	FOOTNOTE:		WHEN REPLACING COIL 122784 ON 2003 UNITS ALSO ORDER ADAPTER	
	FOOTNOTE:		HARNESS AG061270	



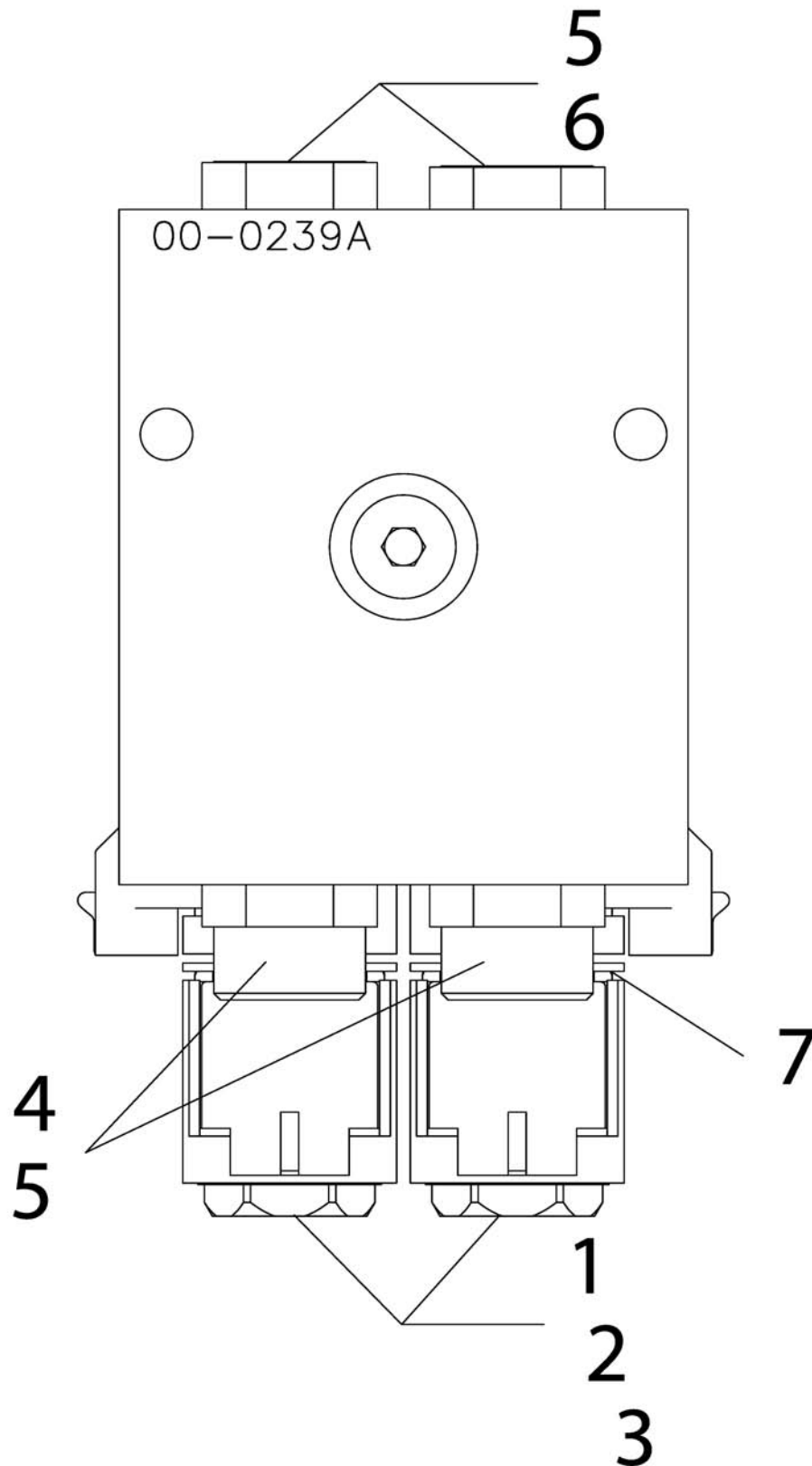
ITEM	PART #	QTY	DESCRIPTION	COMMENTS
1	AG121768	1	CAP-HYDRAULIC W/LANYARD	
2	AG232541	-	DECAL HYD OIL LEVEL	[A]
3	AG263020	-	DECAL-HYDRAULIC OIL	
	FOOTNOTE [A]		SPANISH DECAL: AG237863	
	FOOTNOTE:		CAP W/LANYARD FOR TANK IS AG121768	
	FOOTNOTE:		DECAL HYD OIL LEVEL IS AG232541	
	FOOTNOTE:		DECAL CAUTION HYD OIL IS AG263020	



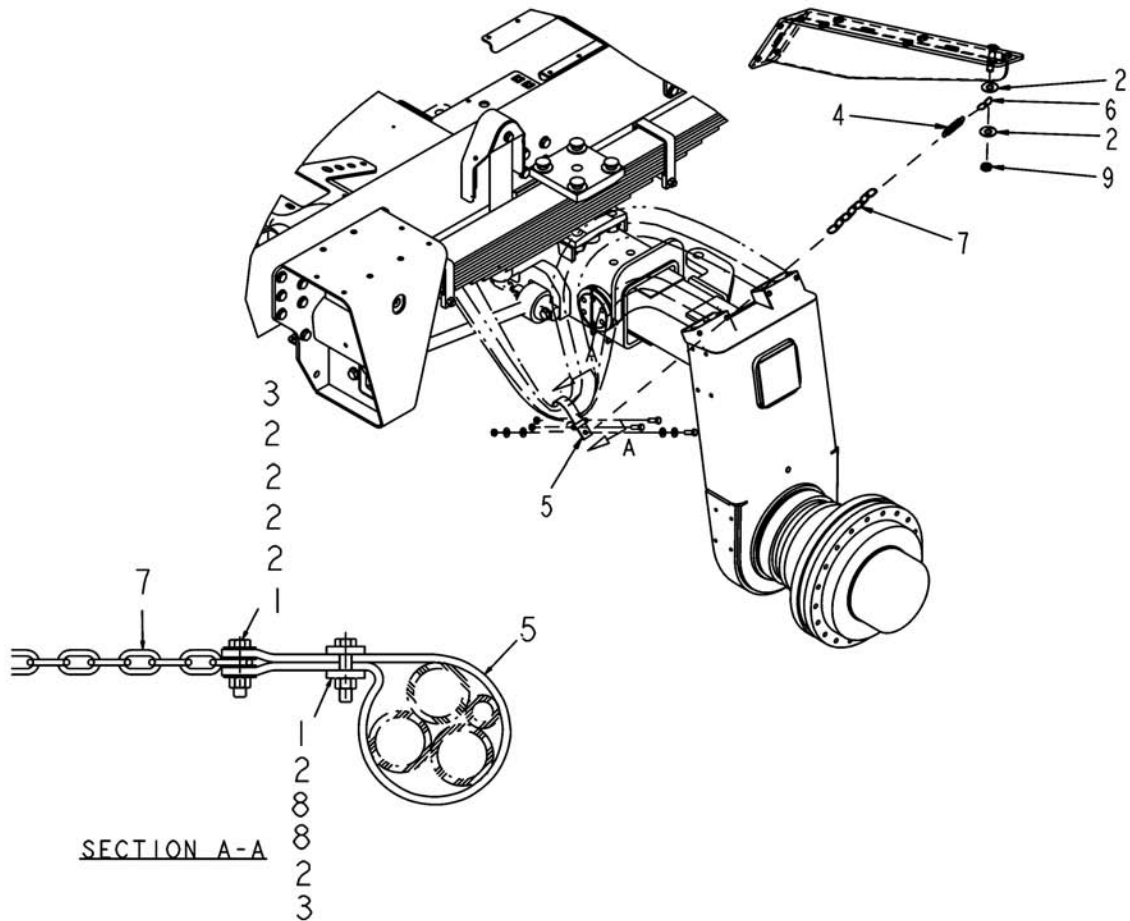
ITEM	PART #	QTY	DESCRIPTION	COMMENTS
1	AG120958	1	STEER UNIT-OSPQ,125/250	
2	AG121998	3	ADAP STR M18/1.5MORX0.50MJIC	
3	AG121999	1	ADAP STR M12/1.5MORX0.31MJIC	
4	AG126415	1	ELBOW 90D M18/1.50MORX0.50MJIC	
5	AG234321	1	ADAPTER - STEERING COLUMN	
6	AG511099	-	GREASE-MULTI PURPOSE LITH. [BULK: 0.008 LB]	
7	AG512885	AR	LOCTITE ADHESIVE SEALANT BLUE	
8	AG560278	1	TEE 0.50JIC SWIVELX0.50 JIC(2)	
9	400217X1	4	BOLT-M10X1.5X25MM PL HSHD 12.9	



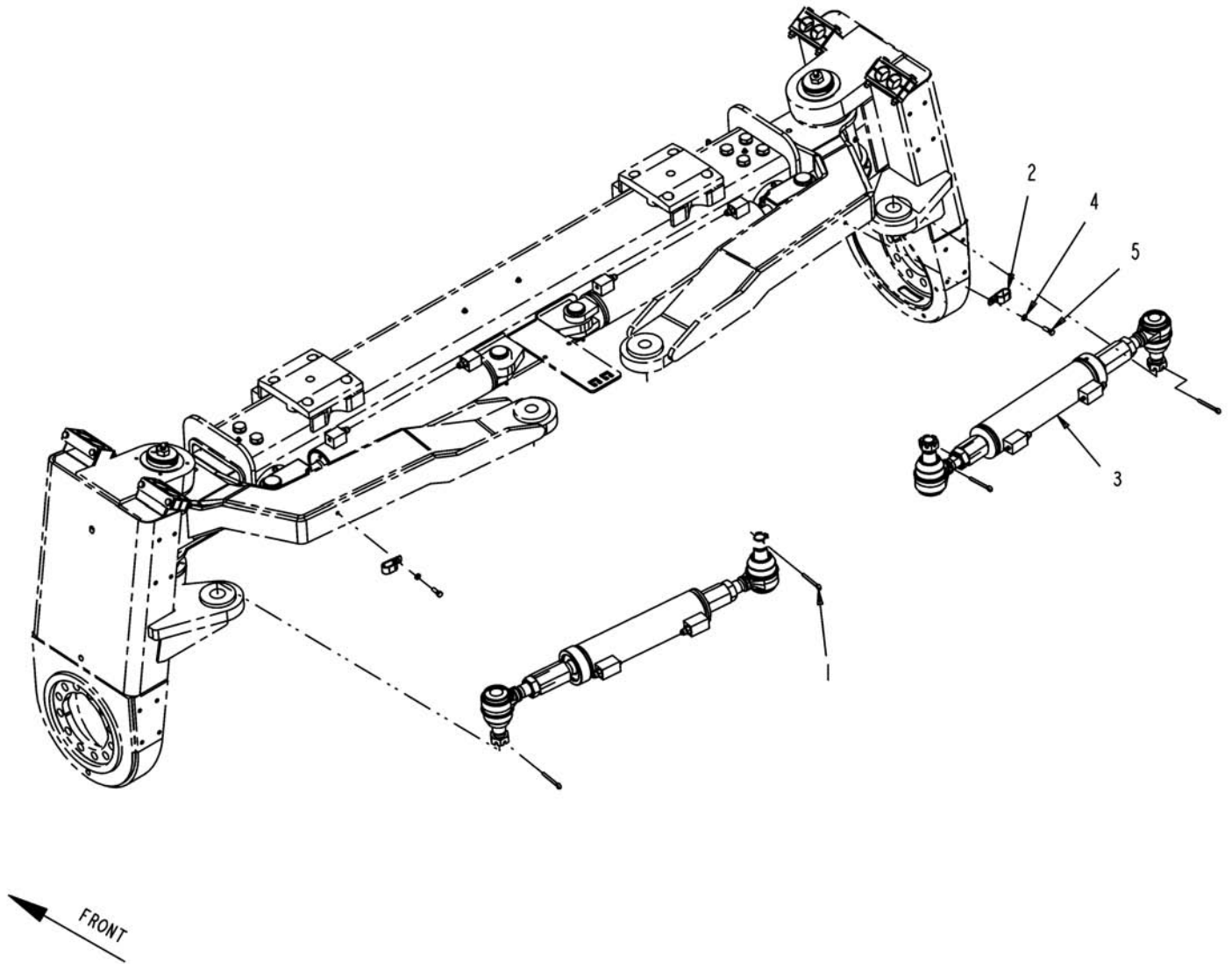
ITEM	PART #	QTY	DESCRIPTION	COMMENTS
1	AG021600	4	ELBOW 45D 0.37MO-RX0.37MJIC(D)	
2	AG327663	1	BLOCK-HYD,TRACK ADJUST	SEE PAGE 5-6
3	AG551112	2	ELBOW 90D 0.50MO-R X 0.50MJIC	[A]
4	AG562401	2	ELBOW -6MB90X-6MJ	
	FOOTNOTE [A]		AG713670-O-RING	



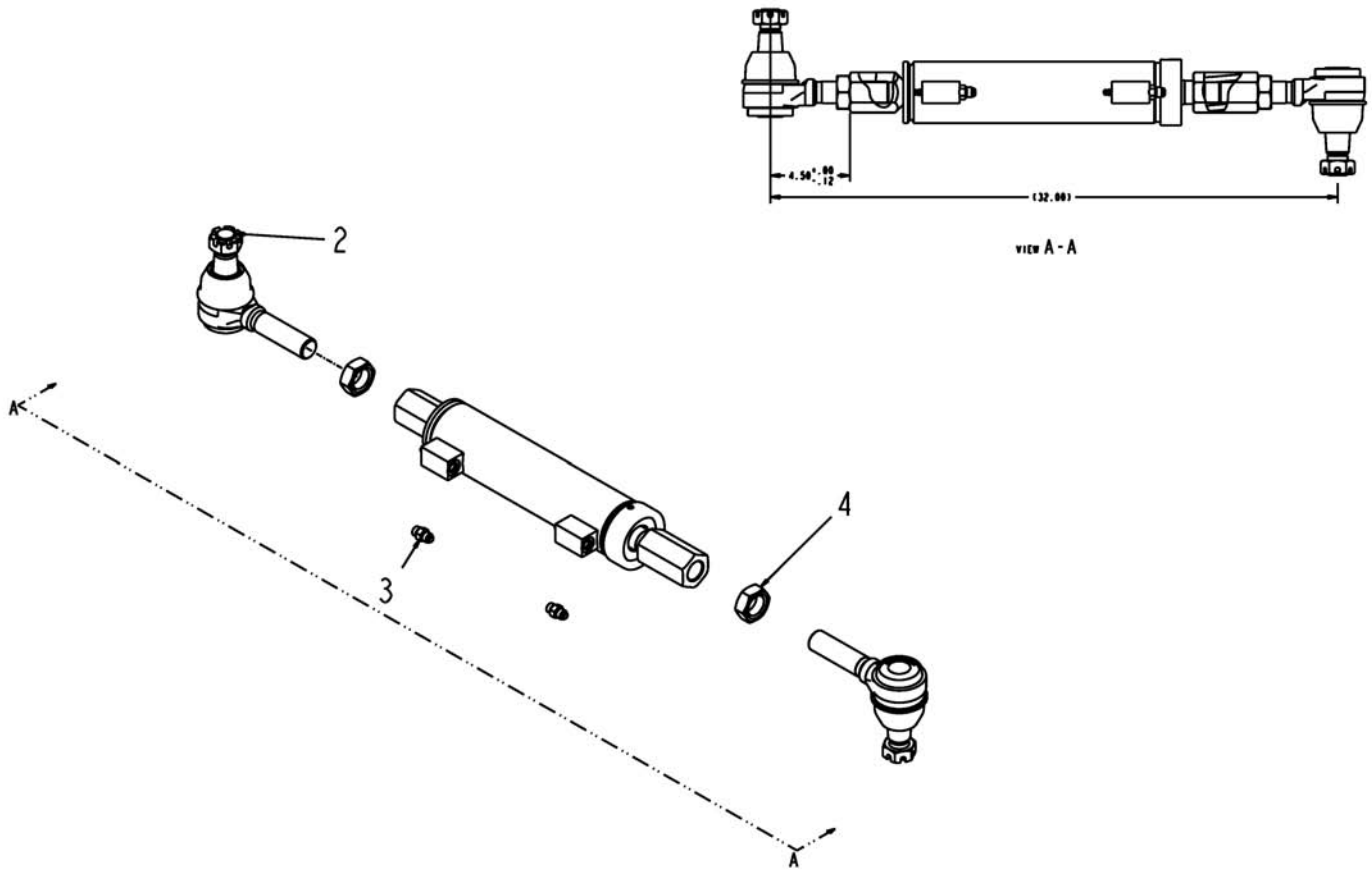
ITEM	PART #	QTY	DESCRIPTION	COMMENTS
1	AG715567	2	SOLENOID VALVE	[A]
2	AG716814	2	KIT-ORING,SPOOL VIV,4W(609463)	
3	AG121483	4	COIL-E,12VDC DEUTCH W/DIODE,08	
4	AG715571	2	CHECK VALVE	[B]
5	AG716810	4	KIT-ORING,RELIEF VALVE(609464)	[C]
6	AG715570	2	CHECK VALVE	[D]
7	AG121485	2	SPACER-E COIL,10	
	FOOTNOTE [A]		REPLACED BY AG727147	
	FOOTNOTE [B]		SEAL KIT - AG716810	
	FOOTNOTE [C]		SEE TECH BULLETIN 9881	
	FOOTNOTE [D]		SEAL KIT - AG716810, PILOT PISTON - AG715569	



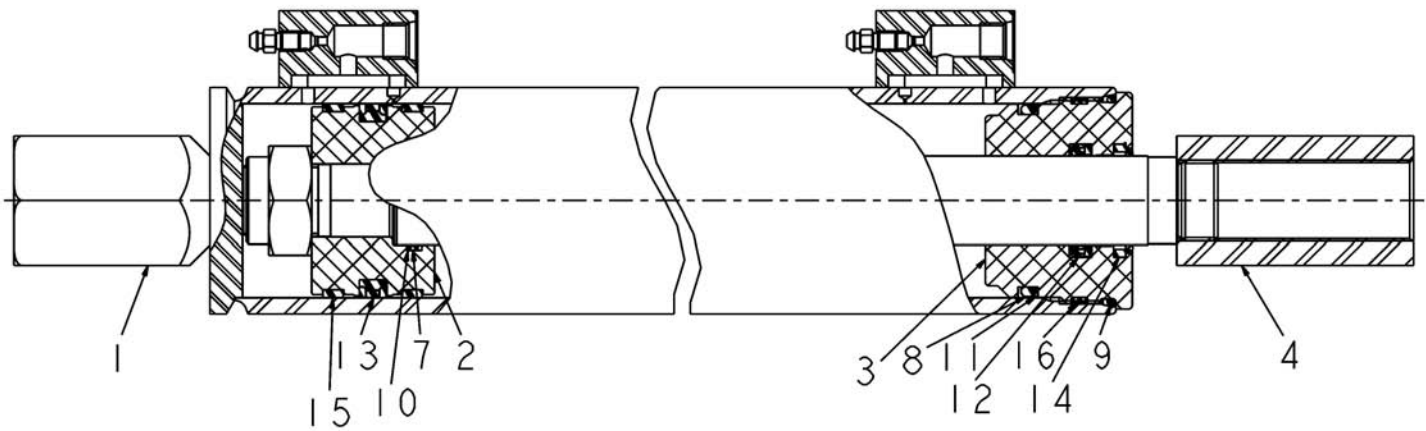
ITEM	PART #	QTY	DESCRIPTION	COMMENTS
1	AG515140	6	NUT 0.37-16NC SS HVY HX NY INS	
2	AG562073	20	WASHER FL 0.37 SS REG	
3	AG562159	6	BOLT 0.37-16NCX 1.50 S.S. HHD	
4	AG517097	2	SPRING COIL EXTENSION	
5	AG238315	2	STRAP-HOSE HANGER	
6	AG114698	2	CHAIN HOLD-UP (2 LINKS)	
7	AG213040	2	CHAIN HOSE HANGER (7 LINKS)	
8	AG237961	4	PLATE-COVER	[A]
9	AG562123	2	NUT 0.37-16NC HEX SSC-LK	
	FOOTNOTE [A]		PLATE THAT COVER BOLTS - AG237959	



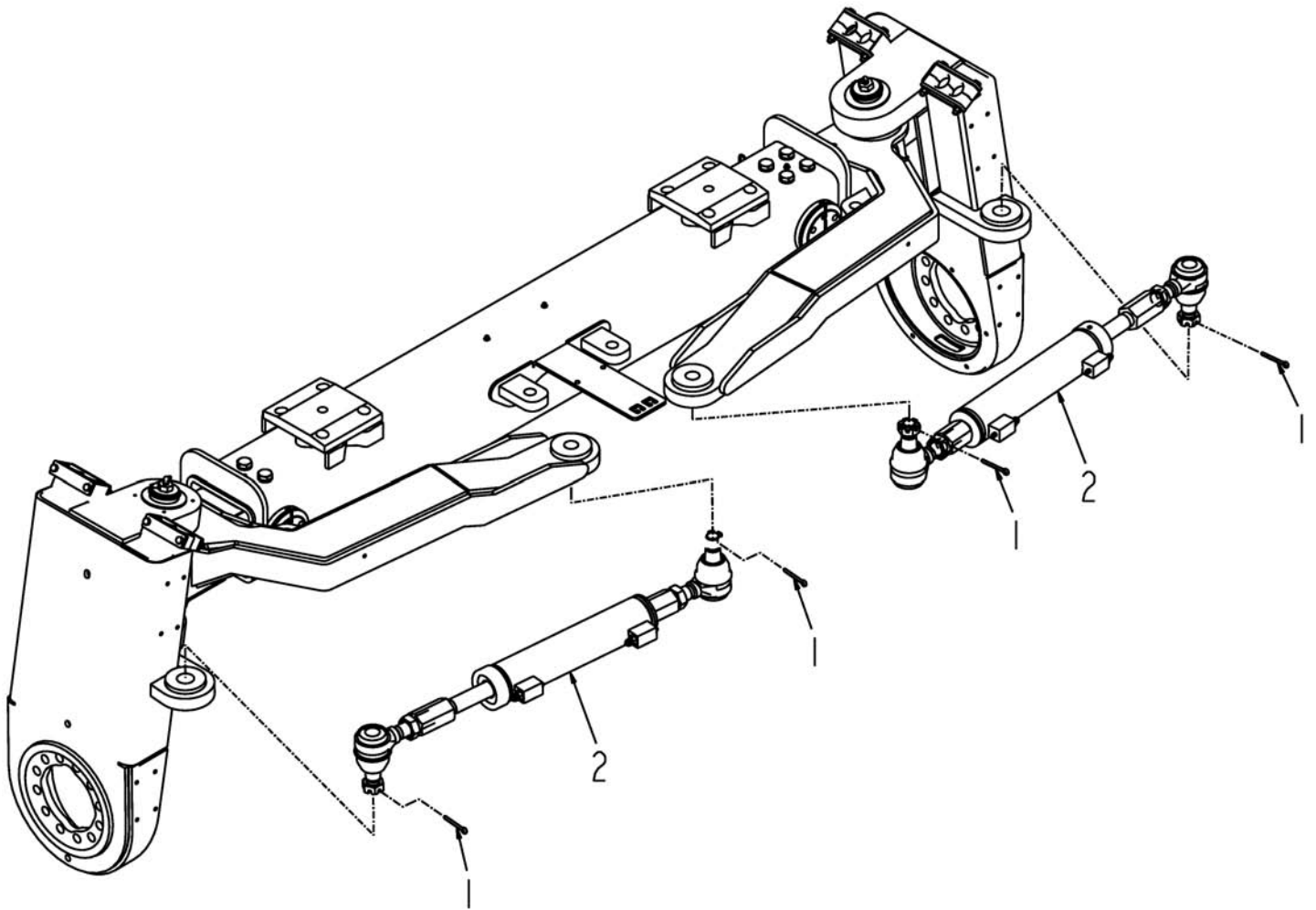
ITEM	PART #	QTY	DESCRIPTION	COMMENTS
1	AG029339	4	PIN COTTER 0.25X2.25	
2	WR55247	2	CLAMP-SUPPORT CUSHION DBL	
3	AG124360	2	CYLINDER ASM-STEERING,FRONT	SEE PAGE 5-9
4	AG550205	2	WASHER LK 0.31 ZN REG	
5	AG551252	2	BOLT 0.31-18NCX 1.00 G5 ZN HHD	



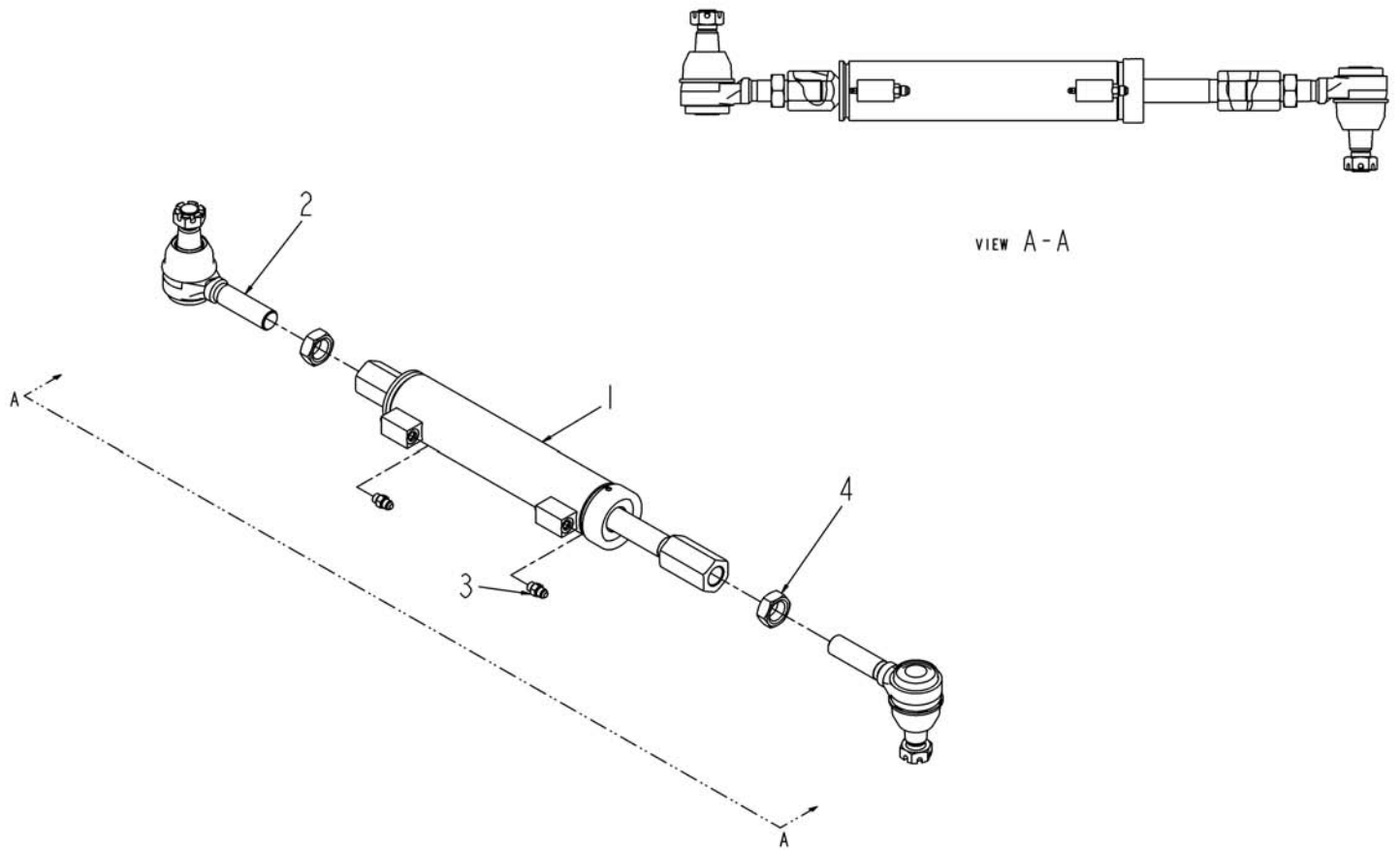
ITEM	PART #	QTY	DESCRIPTION	COMMENTS
1	AG122772	1	CYLINDER-HYD,3.00X10.00X1.38	SEE PAGE 5-10
2	AG523559	2	JOINT-BALL,42K YIELD	
3	AG560693	2	ADAP STR 0.37MO-R X 0.37MJIC	[A]
4	AG561828	2	NUT 1.25-12NF HEX ZN JAM	
	FOOTNOTE [A]		AG713166 O-RING	



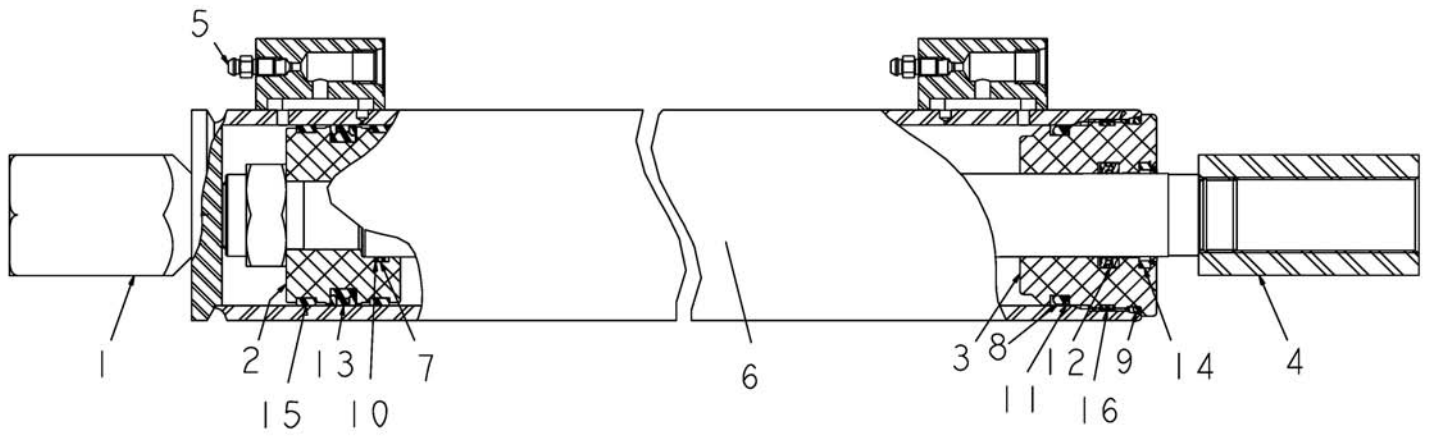
ITEM	PART #	QTY	DESCRIPTION	COMMENTS
REF	AG121380	-	KIT-SEAL,CYLINDER 424621/623	[A]
1	AG126261	1	TUBE WELDMENT	
2	AG126259	1	PISTON	
3	AG126262	1	HEAD GLAND	
4	AG126263	1	ROD WELDMENT	
	FOOTNOTE [A]		SEAL KIT CONTAINS ITEMS 7-16	
	FOOTNOTE:		ITEMS 7 - 16 CANNOT BE PURCHASED INDIVIDUALLY BUT ARE INCLUDED IN SEAL KIT	



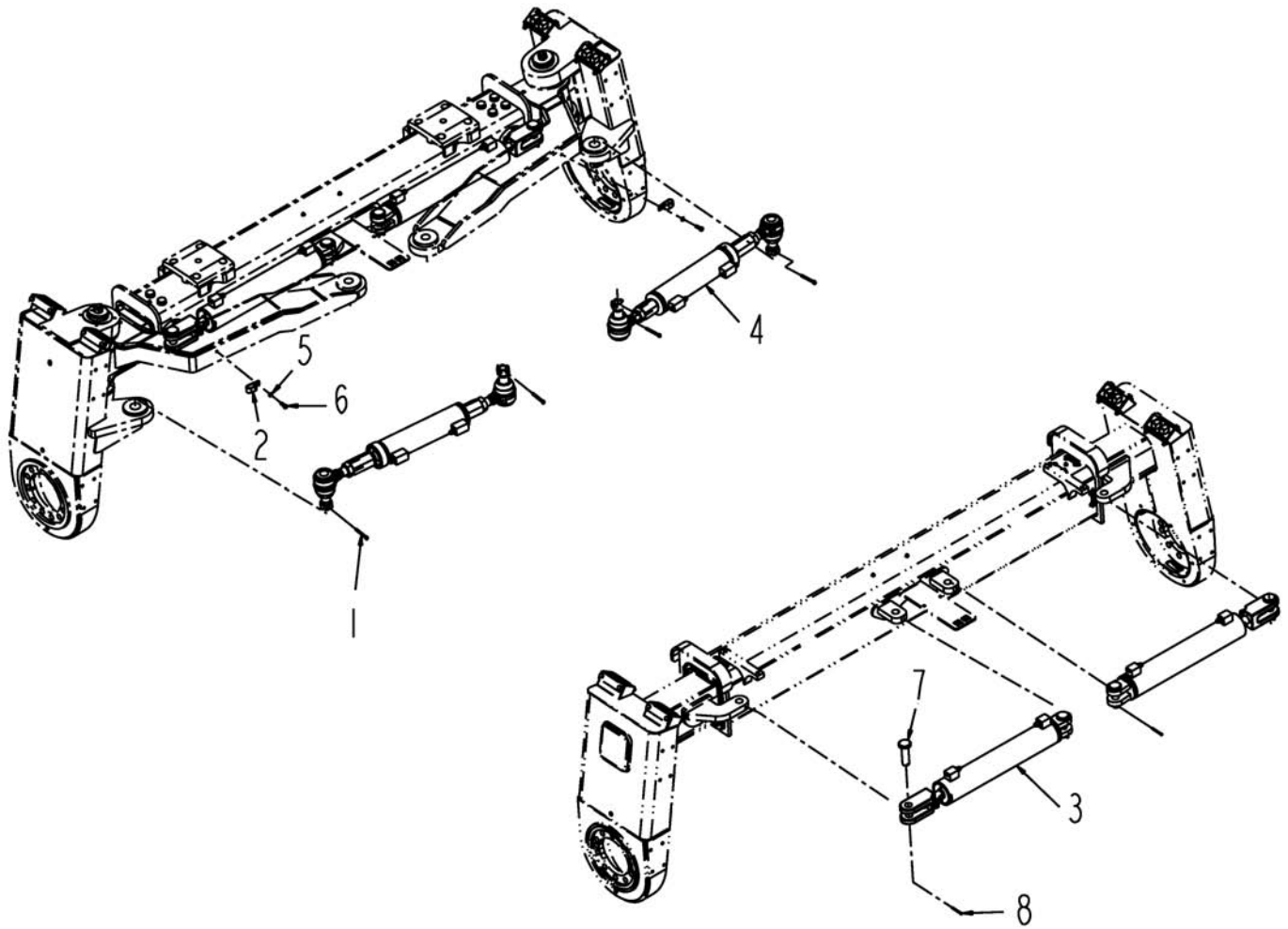
ITEM	PART #	QTY	DESCRIPTION	COMMENTS
1	AG029339	4	PIN COTTER 0.25X2.25	
2	AG130018	2	CYLINDER ASM-STEERING,REAR	SEE PAGE 5-12



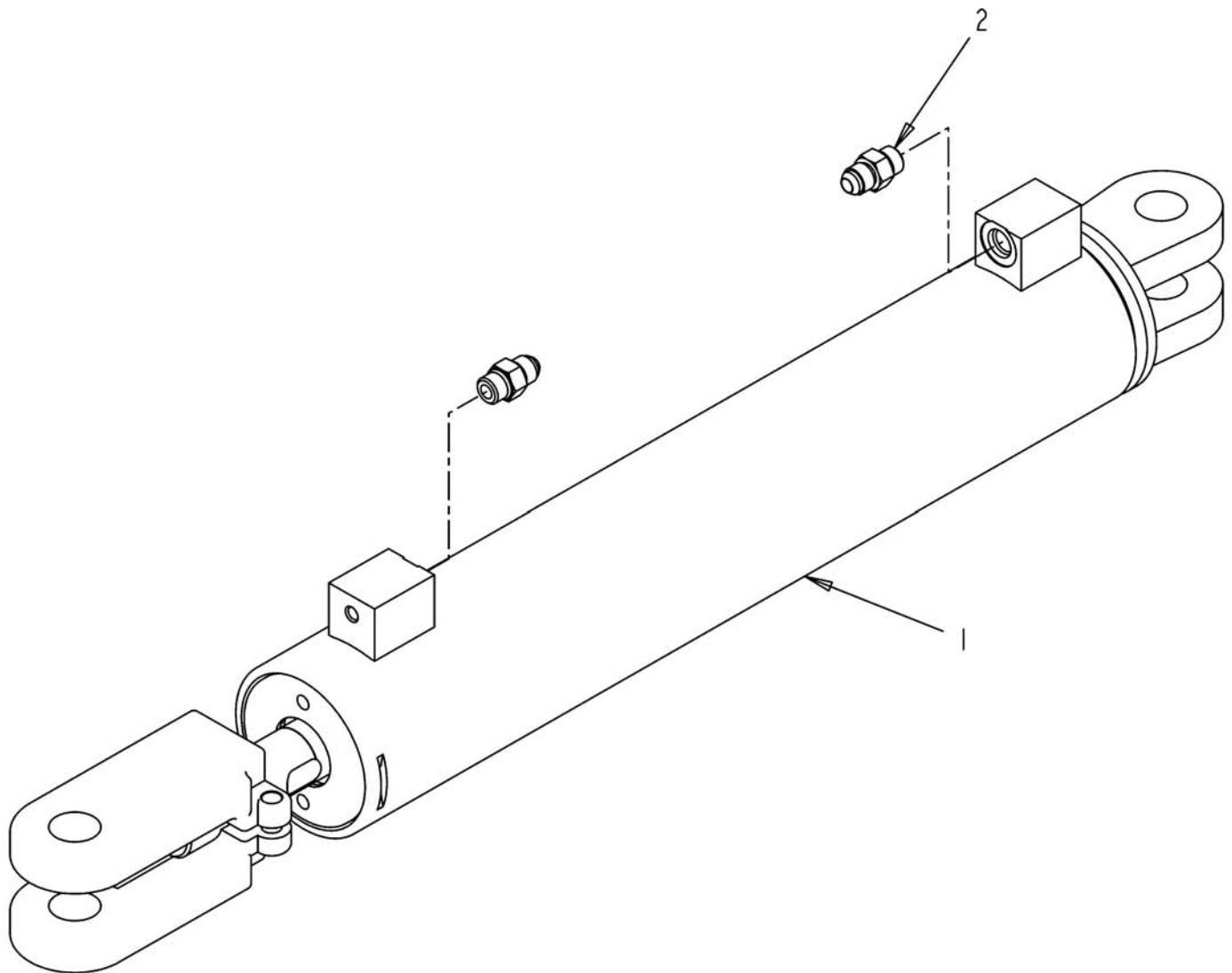
ITEM	PART #	QTY	DESCRIPTION	COMMENTS
1	AG424623	1	CYLINDER-HYD,3.00X12.00X1.38	SEE PAGE 5-13
2	AG523559	2	JOINT-BALL,42K YIELD	
3	AG560693	2	ADAP STR 0.37MO-R X 0.37MJIC	[A]
4	AG561828	2	NUT 1.25-12NF HEX ZN JAM	
	FOOTNOTE [A]		AG713166 O-RING	



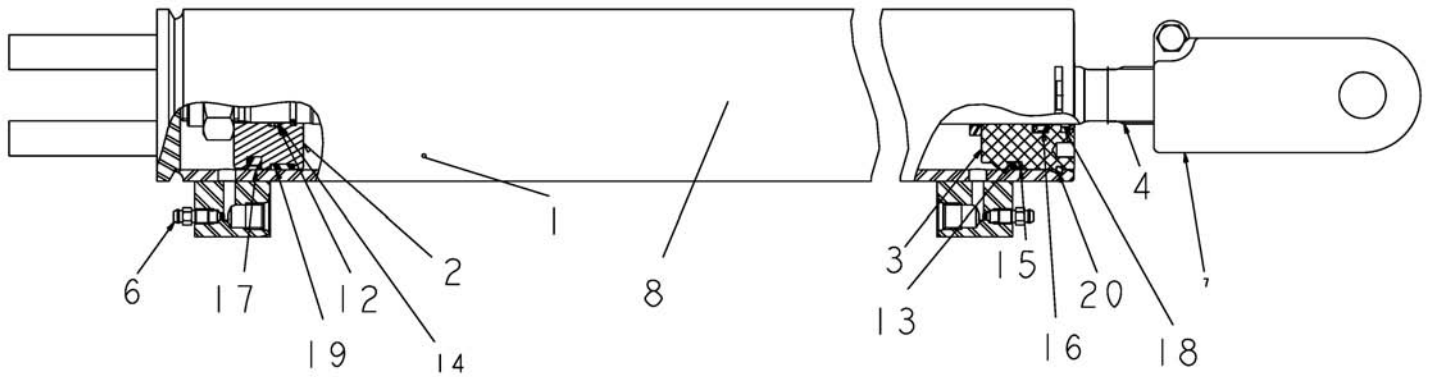
ITEM	PART #	QTY	DESCRIPTION	COMMENTS
1	AG126258	1	TUBE WELDMENT	
2	AG126259	1	PISTON	
3	AG126262	1	HEAD GLAND	
3	AG727112	1	GLAND/HEAD	
4	AG126260	1	ROD WELDMENT	
5	AG129928	2	SCREW/BLEEDER	
6	AG121380	1	KIT-SEAL,CYLINDER 424621/623	[A]
	FOOTNOTE [A]		SEAL KIT CONTAINS ITEMS 7-16	
	FOOTNOTE:		AG121380 - SEAL KIT	



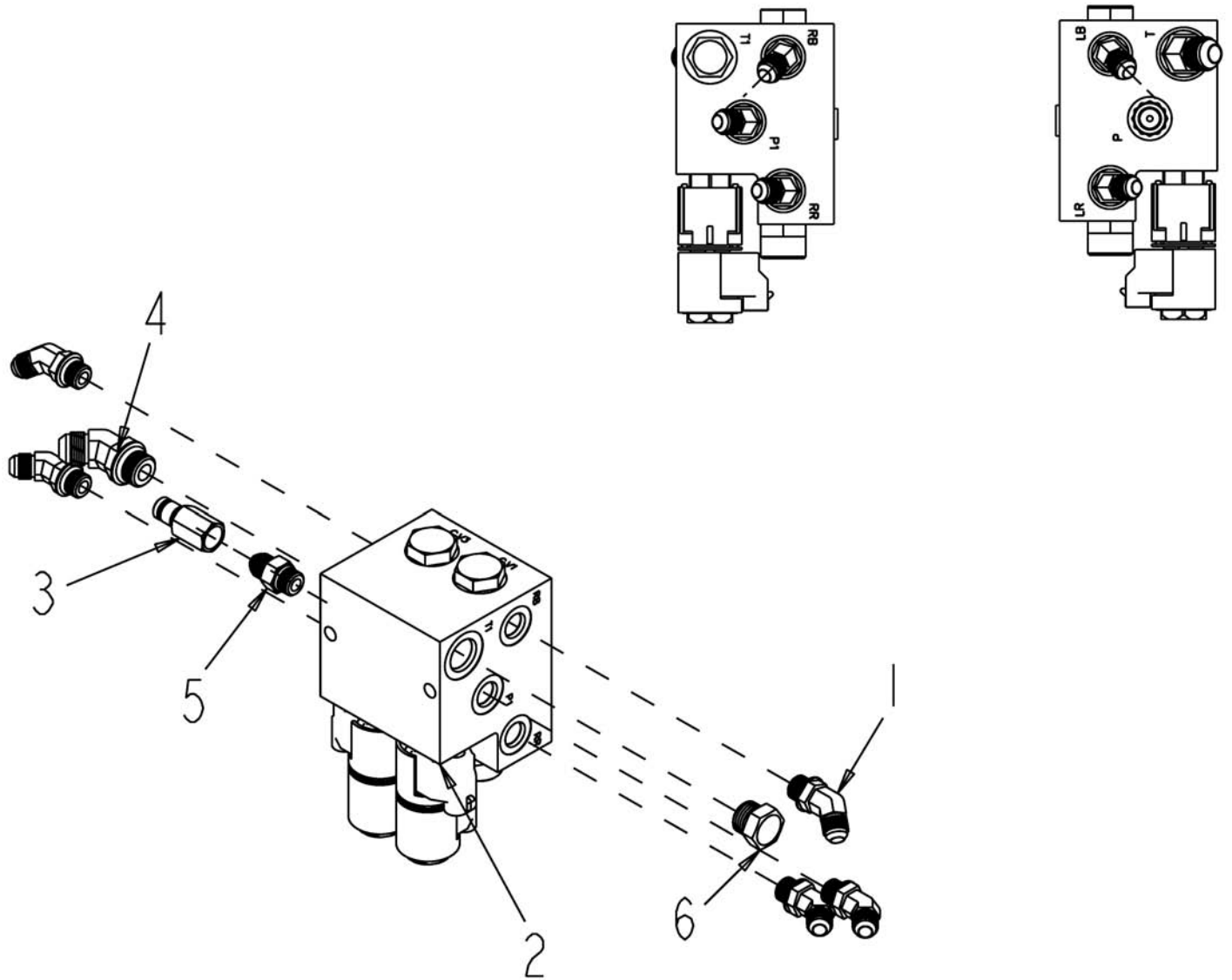
ITEM	PART #	QTY	DESCRIPTION	COMMENTS
1	AG029339	4	PIN COTTER 0.25X2.25	
2	WR55247	2	CLAMP-SUPPORT CUSHION DBL	
3	AG122204	4	CYLINDER ASM-TRACK	SEE PAGE 5-15
4	AG124360	2	CYLINDER ASM-STEERING,FRONT	SEE PAGE 5-9
5	AG550205	2	WASHER LK 0.31 ZN REG	
6	AG551252	2	BOLT 0.31-18NCX 1.00 G5 ZN HHD	
7	AG554308	8	PIN CLEVIS 1.00X3.50 ZN	
8	AG559768	8	PIN COTTER 0.18X1.75 ZN	



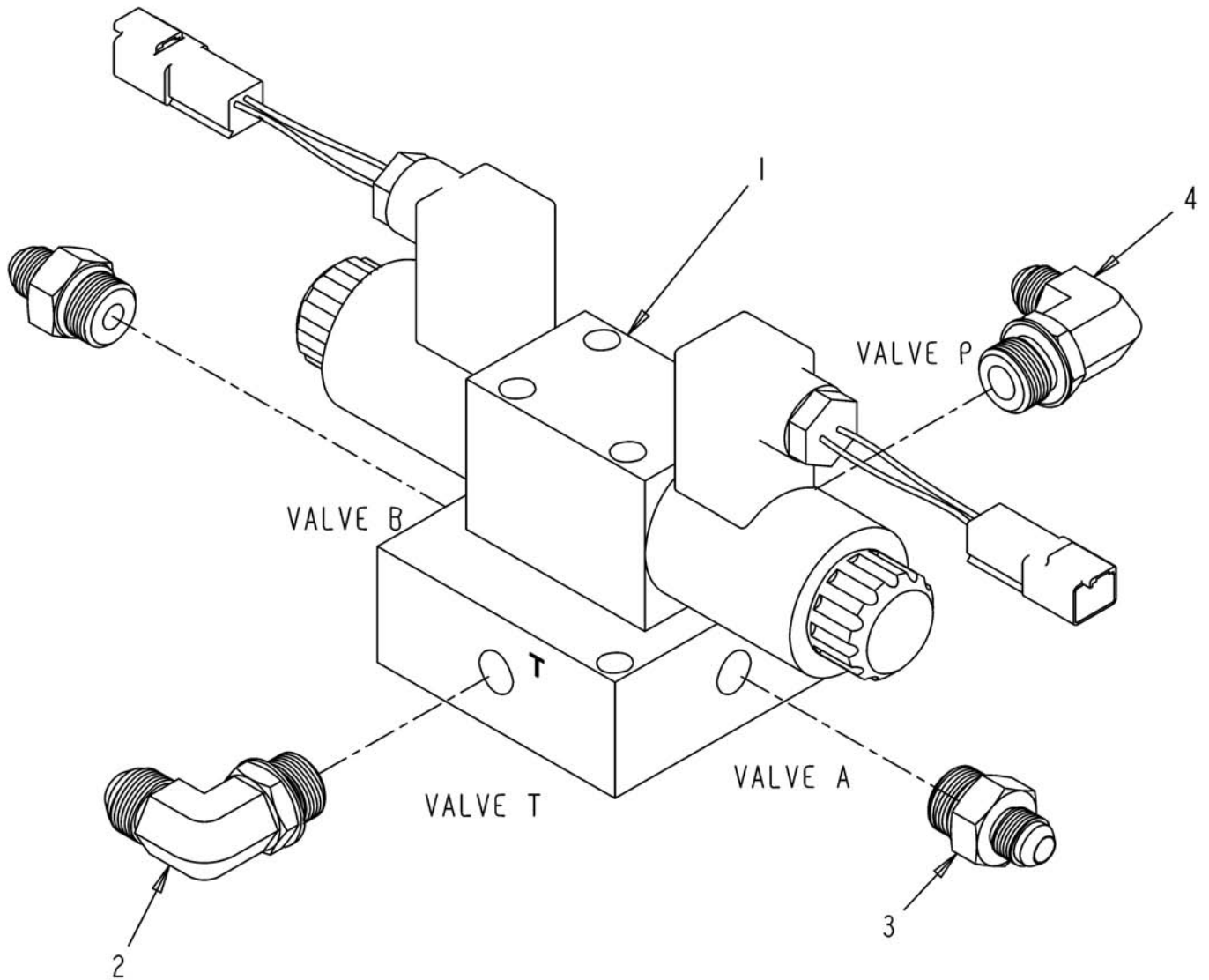
ITEM	PART #	QTY	DESCRIPTION	COMMENTS
1	AG424157	1	CYLINDER-HYD,3.25X16.00X1.25	SEE PAGE 5-16
2	AG560693 FOOTNOTE [A]	2	ADAP STR 0.37MO-R X 0.37MJIC AG713166 O-RING	[A]



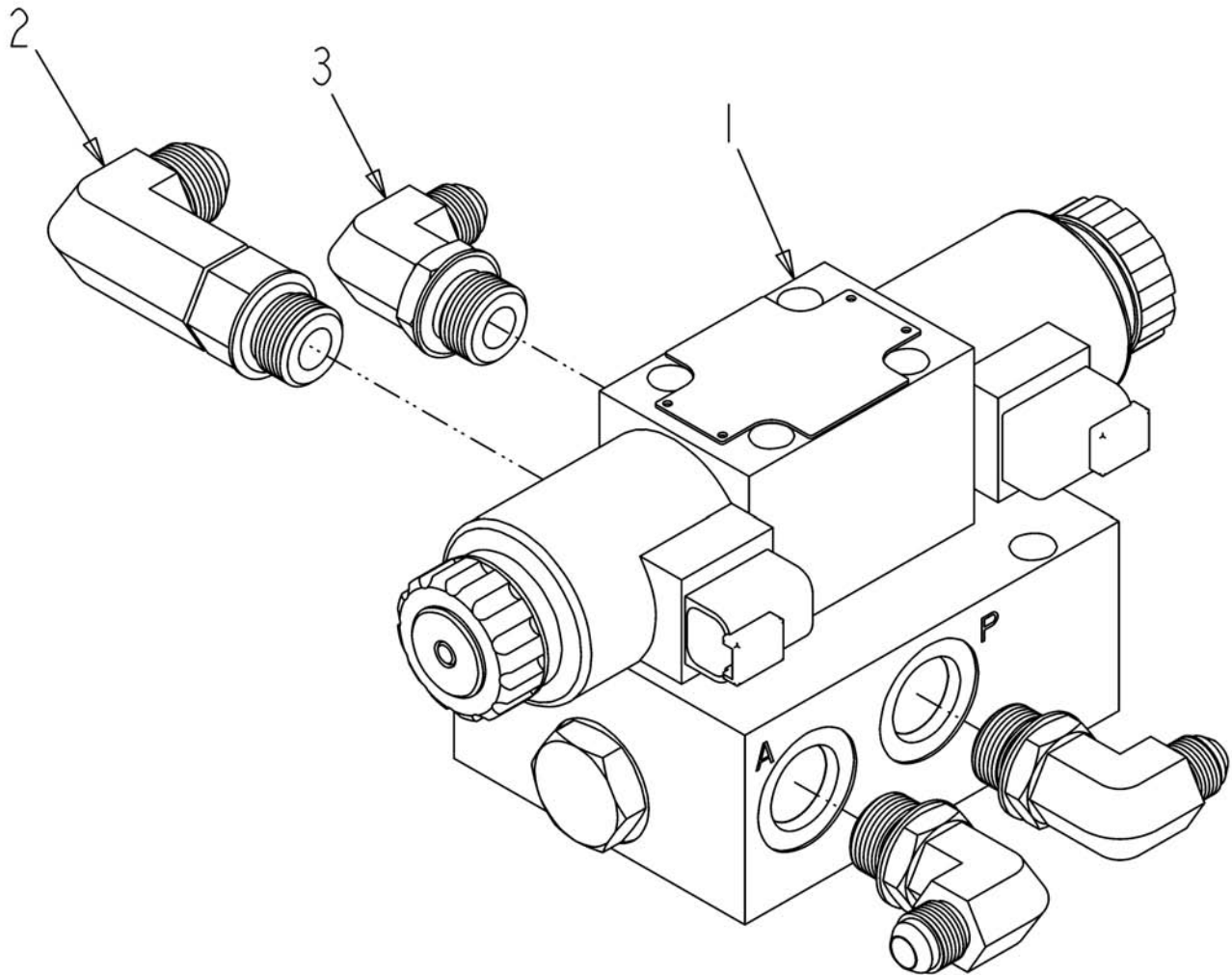
ITEM	PART #	QTY	DESCRIPTION	COMMENTS
REF	AG121578	1	KIT-SEAL CYLINDER 424157	
1	AG126268	1	TUBE WELDMENT	
2	AG126269	1	PISTON	
3	AG126270	1	HEAD GLAND	
4	AG126271	1	CYLINDER ROD	
5	AG238257	1	CLEVIS-CYLINDER	
6	AG129928	2	SCREW/BLEEDER	
7	AG712925	1	ROD WIPER 15453	
8	AG138413	1	KIT/SEAL	[A]
	FOOTNOTE [A]		ITEMS 12 - 20 CANNOT BE PURCHASED INDIVIDUALLY BUT ARE INCLUDED IN SEAL KIT	



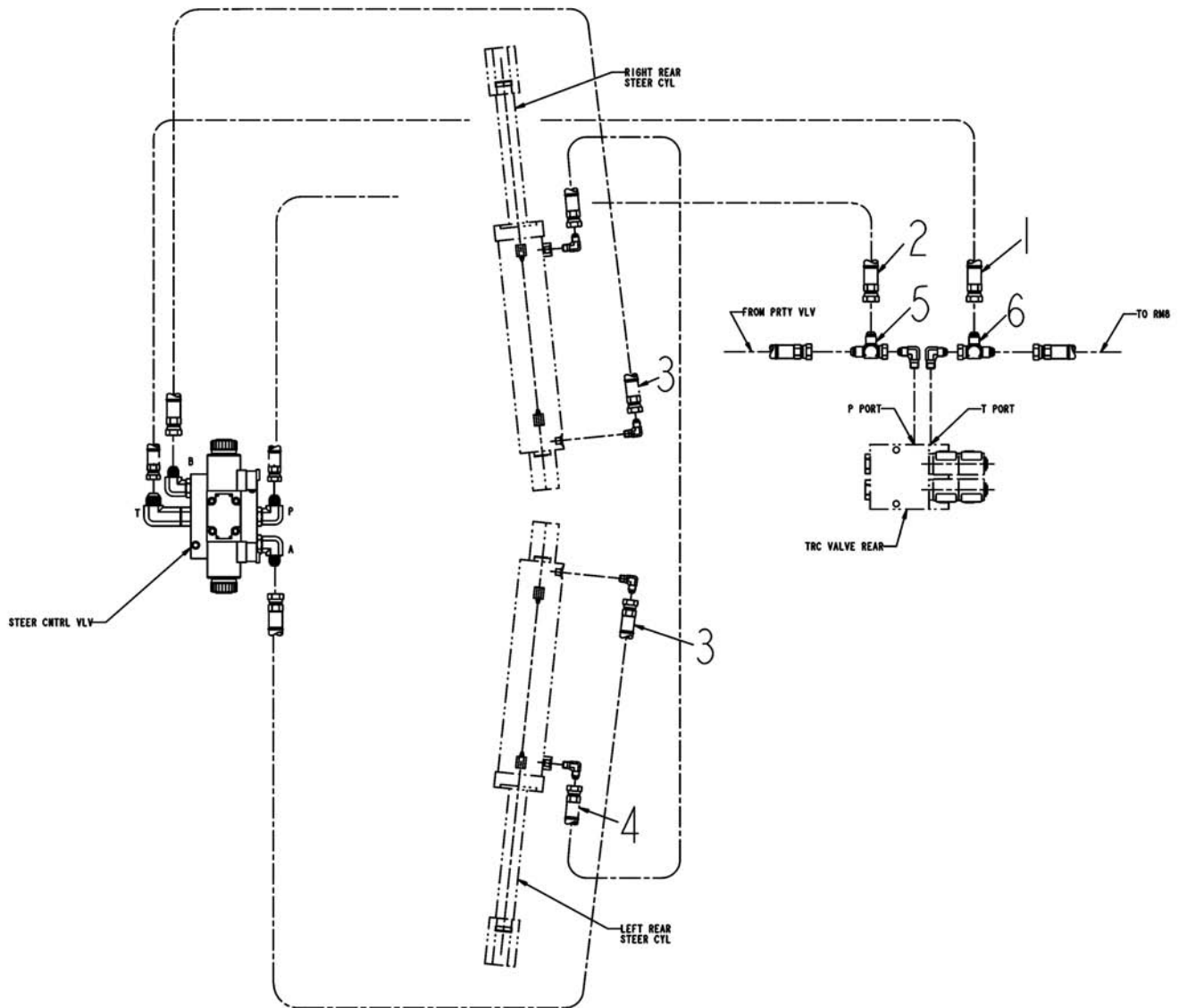
ITEM	PART #	QTY	DESCRIPTION	COMMENTS
1	AG021600	5	ELBOW 45D 0.37MO-RX0.37MJIC(D)	
2	AG327663	1	BLOCK-HYD,TRACK ADJUST	SEE PAGE 5-6
3	AG519114	1	TUBE END NIPPLE -6	[A]
4	AG553891	1	ELBOW 45D 0.50MO-R X 0.50MJIC	
5	AG560693	1	ADAP STR 0.37MO-R X 0.37MJIC	[B]
6	AG560899	1	PLUG 0.50MO-R HEX	
	FOOTNOTE [A]		AG833317 IS FEMALE END.	
	FOOTNOTE [B]		AG713166 O-RING	



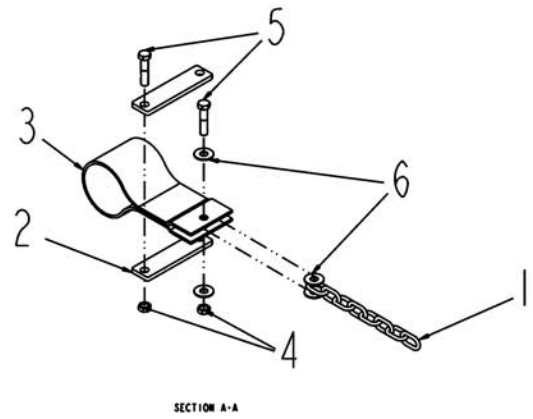
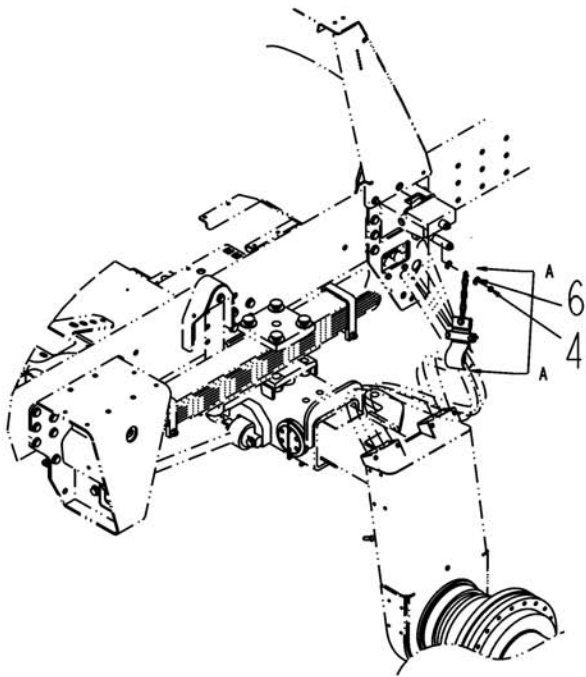
ITEM	PART #	QTY	DESCRIPTION	COMMENTS
1	AG120972	1	VALVE, HYD, 4X4 STEER, AGCO	SEE PAGE 5-2
2	AG551112	1	ELBOW 90D 0.50MO-R X 0.50MJIC	[A]
3	AG561308	2	ADAP STR 0.50MO-R X 0.37MJIC	[B]
4	AG562204	1	ELBOW-8MB90X-6MJ	[C]
	FOOTNOTE [A]		AG713670-O-RING	
	FOOTNOTE [B]		AG713670 O-RING, USED FOR THE ADAPTION OF AG515950 TO A AG523053	
	FOOTNOTE [C]		AG713670 O-RING	



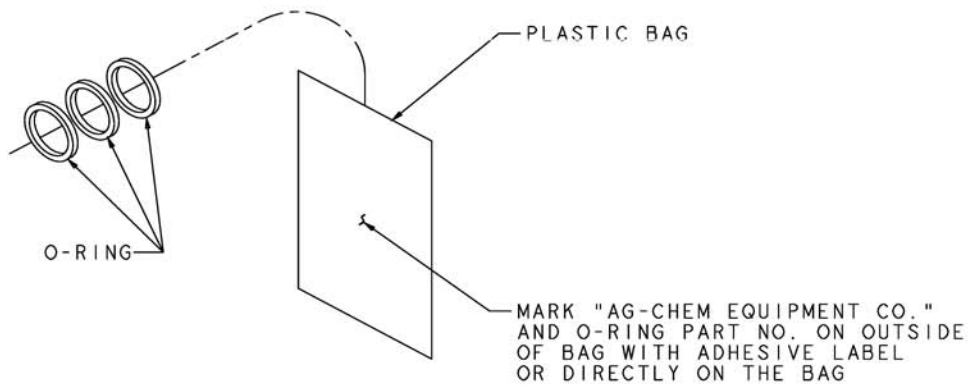
ITEM	PART #	QTY	DESCRIPTION	COMMENTS
1	AG125819	1	VALVE,HYD,4X4 STEER,W/CHECK	SEE PAGE 14-14
2	AG552429	1	ELBOW-8MB90X-8MJ-L	
3	AG562204	3	ELBOW-8MB90X-6MJ	[A]
	FOOTNOTE [A]		AG713670 O-RING	



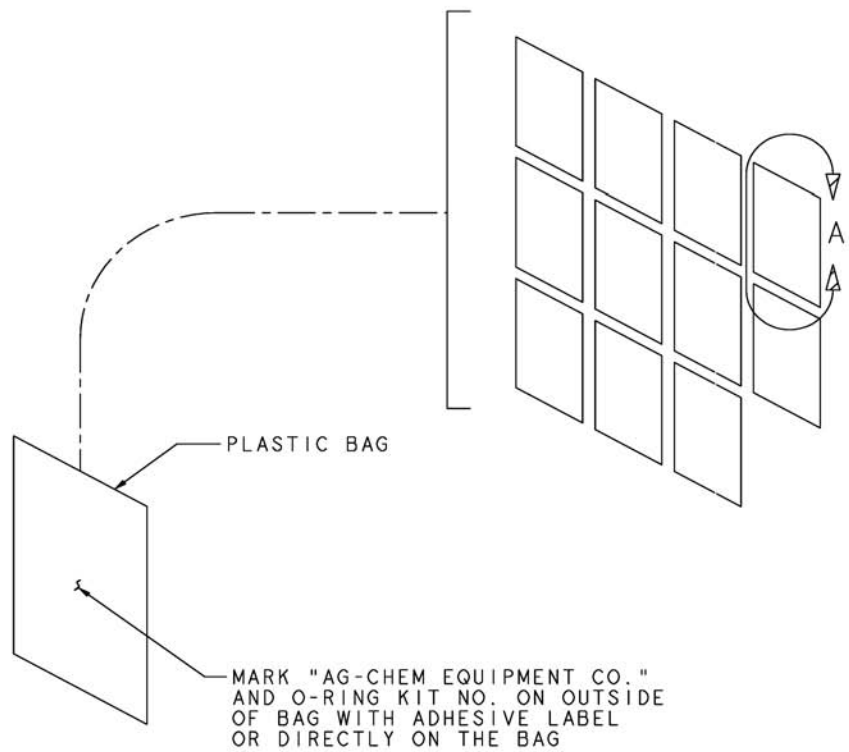
ITEM	PART #	QTY	DESCRIPTION	COMMENTS
1	AG125140	-	HOSE ASM-8X29.00 FJS/FJS45	
2	AG125139	-	HOSE ASM-6X28.00 FJS/FJS45	
3	AG122781	-	HOSE ASM,-6X120.00 FJS/FJS	
4	AG122780	-	HOSE ASM,-6X210.00 FJS/FJS	
5	AG561391	1	TEE 0.37FJIC SW X 0.37MJIC(2)	
6	AG560278	1	TEE 0.50JIC SWIVELX0.50 JIC(2)	



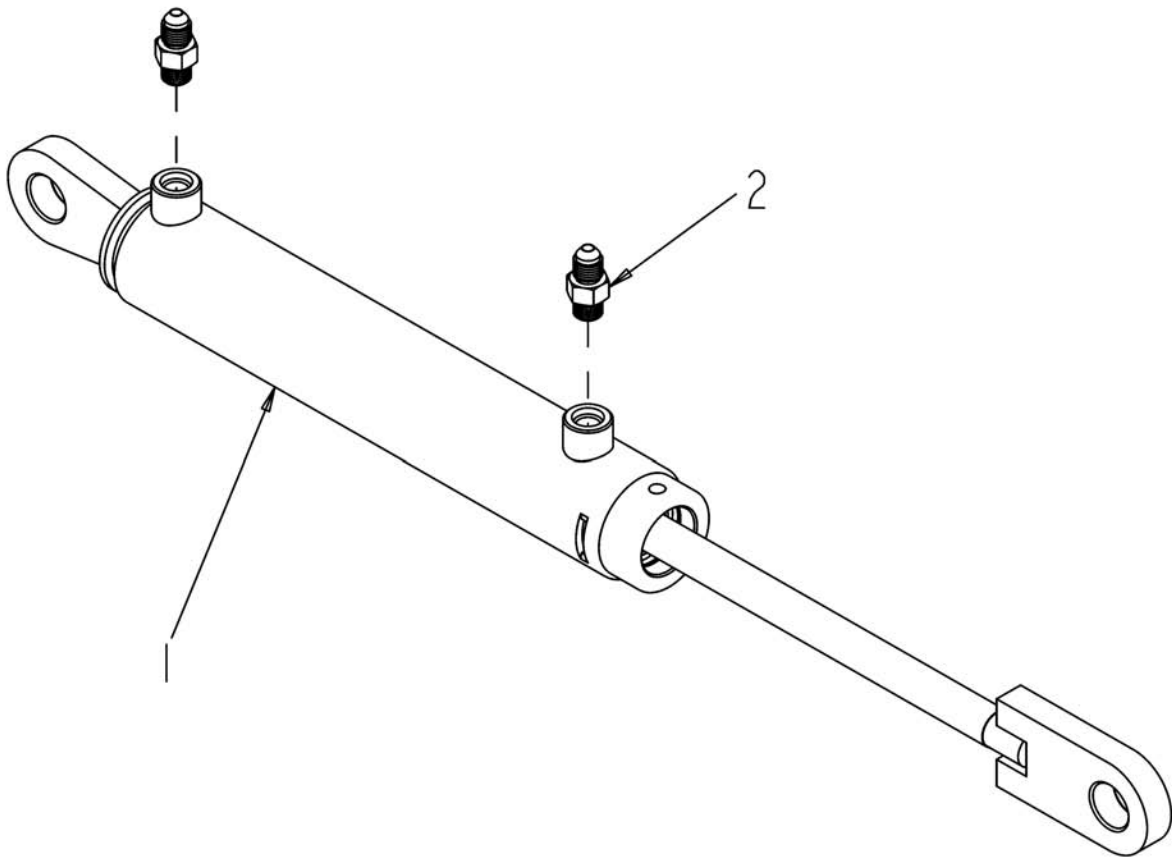
ITEM	PART #	QTY	DESCRIPTION	COMMENTS
1	AG204676	2	CHAIN .18 PROOF COIL 12 LINKS	
2	AG237961	4	PLATE-COVER	[A]
3	AG238315	2	STRAP-HOSE HANGER	
4	AG515140	8	NUT 0.37-16NC SS HVY HX NY INS	
5	AG515277	6	BOLT 0.37-16NCX 1.75 S.S. HHD	
6	AG562073	12	WASHER FL 0.37 SS REG	
	FOOTNOTE [A]		PLATE THAT COVER BOLTS - AG237959	



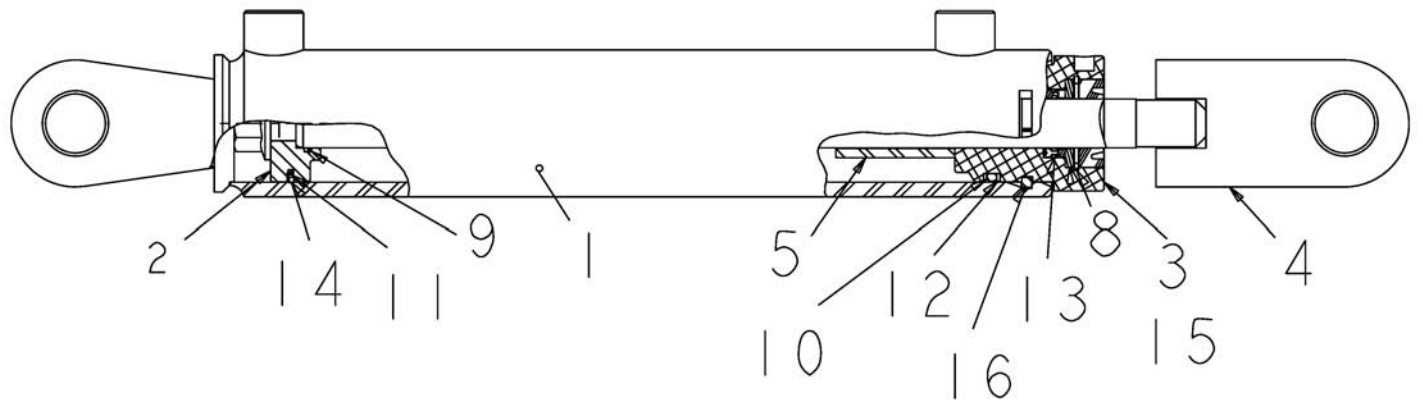
DETAIL A



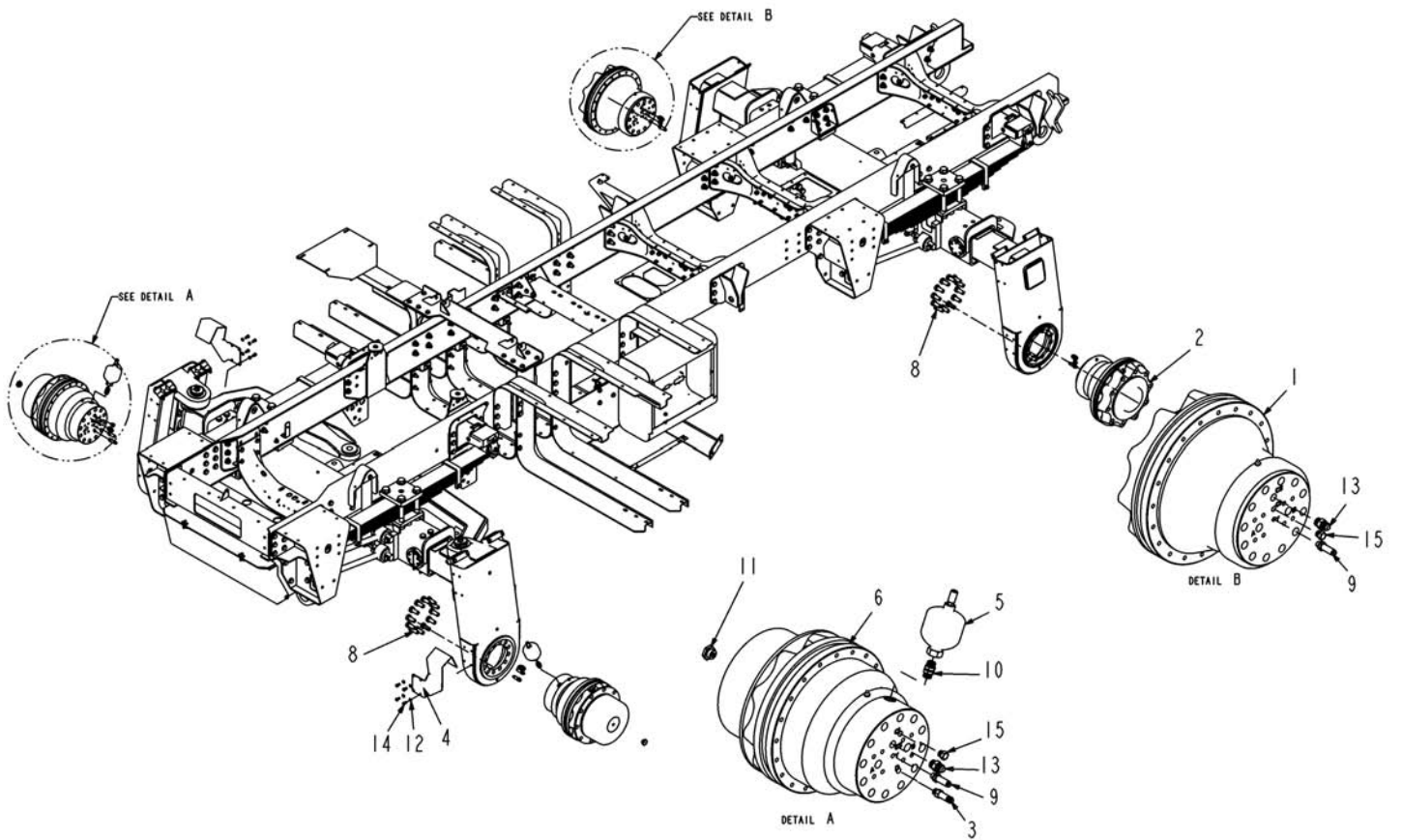
ITEM	PART #	QTY	DESCRIPTION	COMMENTS
1	AG519906	1	O RING CARTRIDGE VALVE	
2	AG519907	1	SEAL SQUARE BACKUP -20	
3	AG609459	3	O RING 517818	
4	AG609418	5	O RING 517691	[A]
5	AG713670	3	O RING POLY	
6	AG715486	3	O RING PLUG 5/16-24 #2	
7	AG713669	3	O RING POLY	
8	AG715488	3	O RING PLUG 9/16-18 #6	
9	AG716177	5	O RING 519622	
10	AG520419	2	SEAL-SQUARE BACKUP	
11	AG520420	2	ORING-017-90	
12	AG519377	2	O RING FACE SEAL -12	[B]
13	AG519378	2	O RING FACE SEAL -16	[C]
14	AG520428	4	ORING-904-90 BUNA N	
	FOOTNOTE [A]		USED ON AG517691, SAME AS WR609418	
	FOOTNOTE [B]		O-RING BLOCK KIT AG715091	
	FOOTNOTE [C]		BLOCK O-RING KIT AG715091	



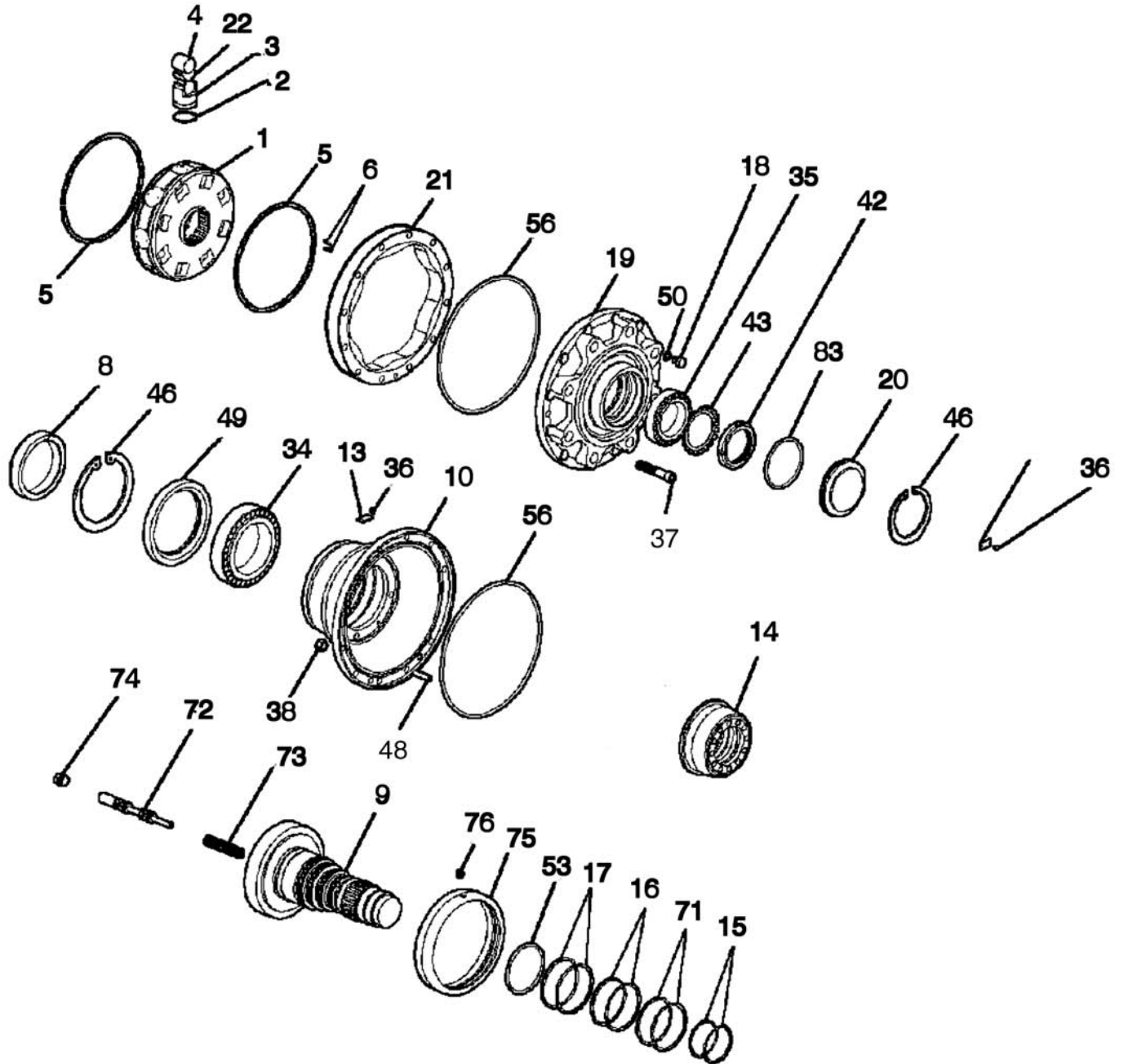
ITEM	PART #	QTY	DESCRIPTION	COMMENTS
1	AG424994	1	CYLINDER-HYD,1.50X6.50X.63	[A]
2	AG561360	2	ADAP STR -4MBX-4MJ	[B]
	FOOTNOTE [A]		SEAL KIT- AG610878	
	FOOTNOTE [B]		AG520428 O-RING	



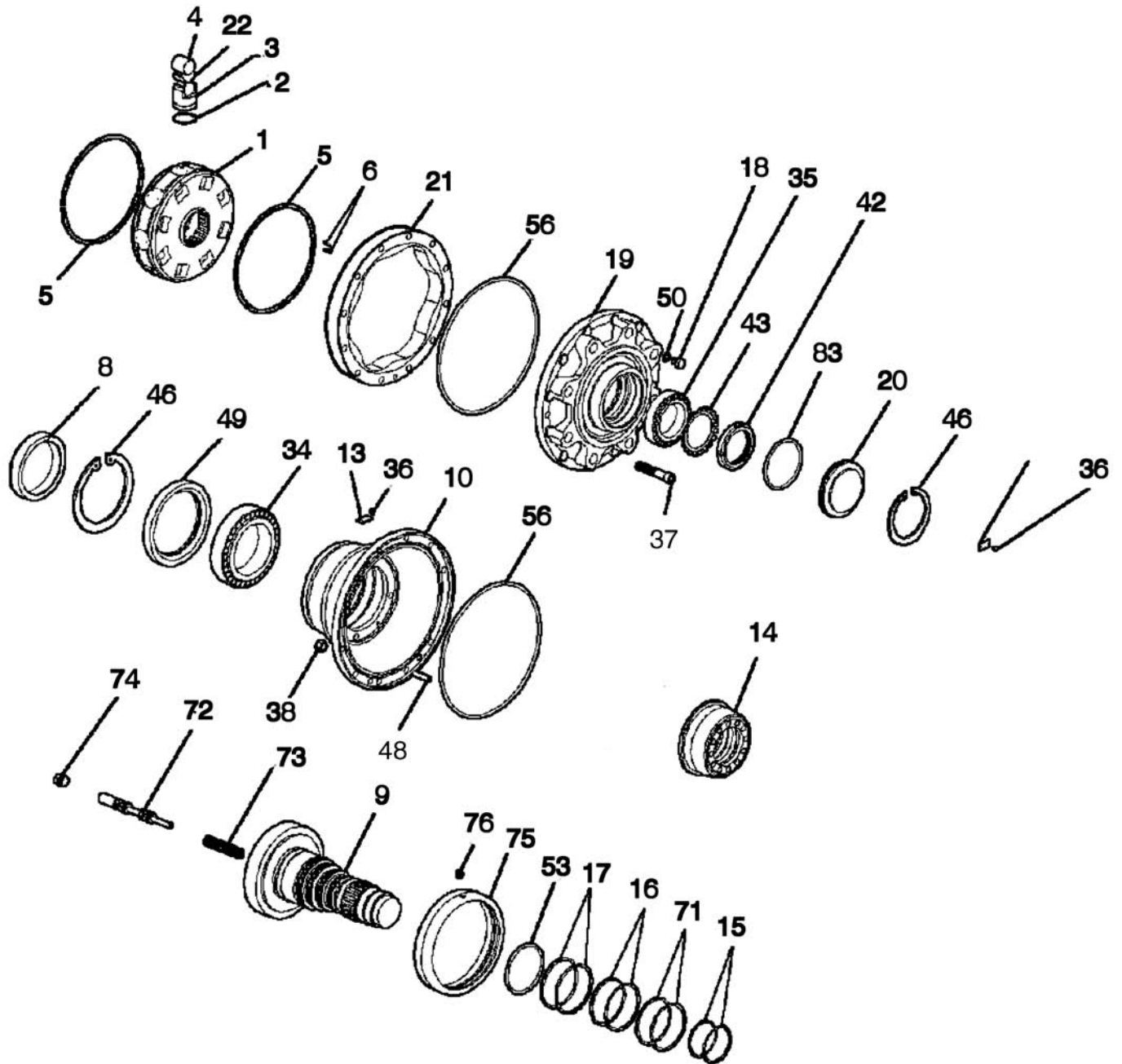
ITEM	PART #	QTY	DESCRIPTION	COMMENTS
1	AG610878	1	KIT-SEAL (424994)	[A]
2	AG126265	1	PISTON	
3	AG126266	1	HEAD GLAND	
4	AG126267	1	ROD WELDMENT	
	FOOTNOTE [A]		ITEMS 8 - 16 CANNOT BE PURCHASED INDIVIDUALLY BUT ARE INCLUDED IN SEAL KIT	
	FOOTNOTE [A]		SEAL KIT CONTAINS ITEMS 8-16	
	FOOTNOTE:		SEAL KIT- AG610878	



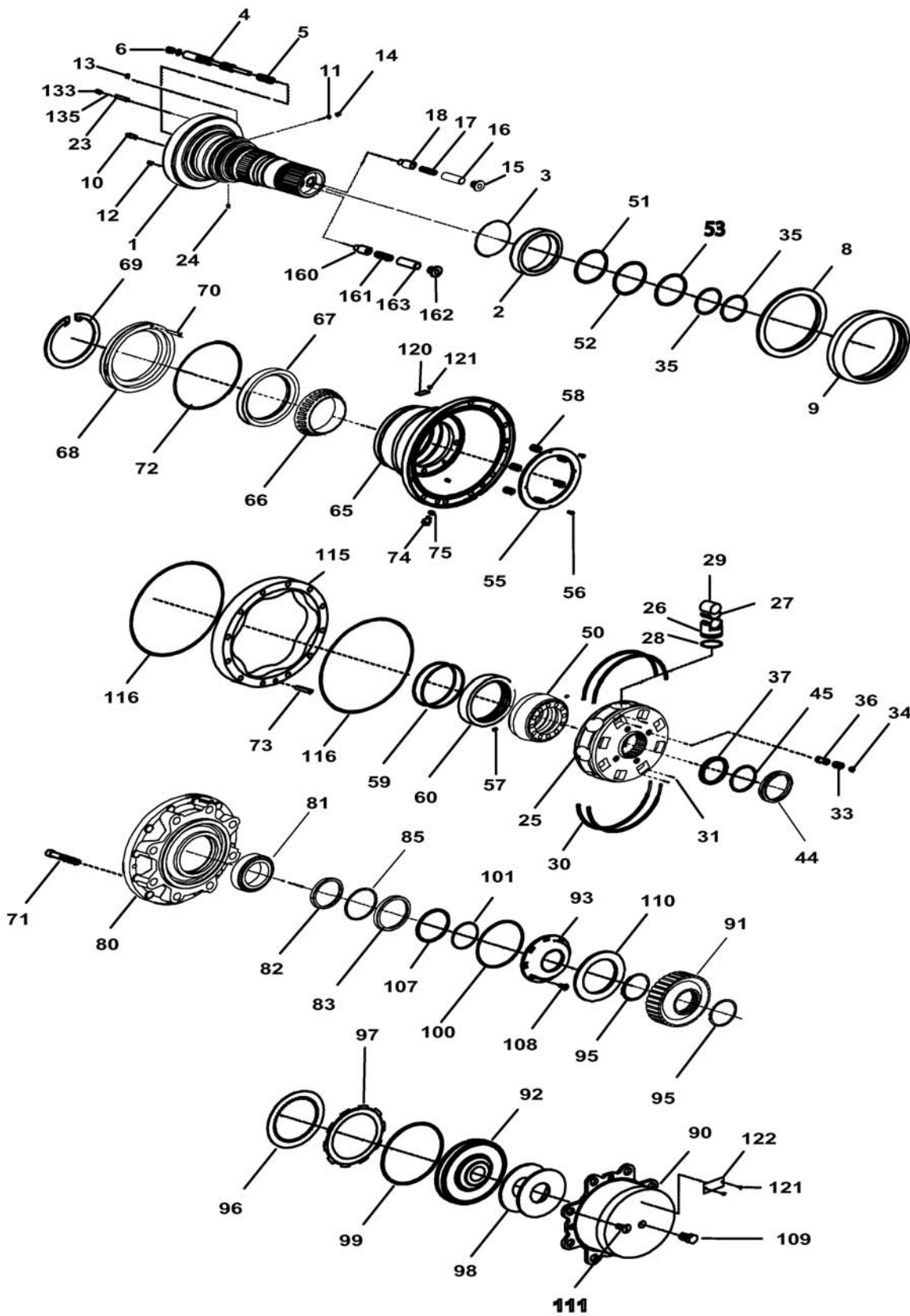
ITEM	PART #	QTY	DESCRIPTION	COMMENTS
1	AG122468	1	MOTOR-HYD,CLASS 6,RH REAR	SEE PAGE 5-26
2	AG122469	1	MOTOR-HYD,CLASS 6,LH REAR	SEE PAGE 5-27
3	AG122830	2	ADAP STR .37MORX.37MJIC LONG	
4	AG129869	1	BRKT-ACCUMULATOR, 8/1064	
5	AG130461	2	ACCUMULATOR-08FB,21 IN,30PSI	
6	AG132284	2	MOTOR-HYD,BBC 05,FRONT	SEE PAGE 5-28
7	AG512885	AR	LOCTITE ADHESIVE SEALANT BLUE	
8	AG522364	48	BOLT-M20-1.5X45.0CL10.9,ZN,HHD	
9	AG522720	4	ADAPTER-STR,LG,-4M-ORX-4MJIC	
10	AG524378	2	ADPTR-STR,.50MO-R X .50MO-R	SEE PAGE 5-29
11	AG524574	2	BREATHER-WHEEL MOTOR	
12	AG550191	8	WASHER LK 0.37 ZN REG	
13	AG551139	4	ADAP STR 0.50MO-R X 0.50 MJIC	[A]
14	AG551503	8	BOLT 0.37-16NCX 0.75 G5 ZN HHD	
15	AG561797	4	PLUG 0.37MO-R HEX	[B]
	FOOTNOTE [A]		AG713670-O-RING	
	FOOTNOTE [B]		AG713166 O-RING	



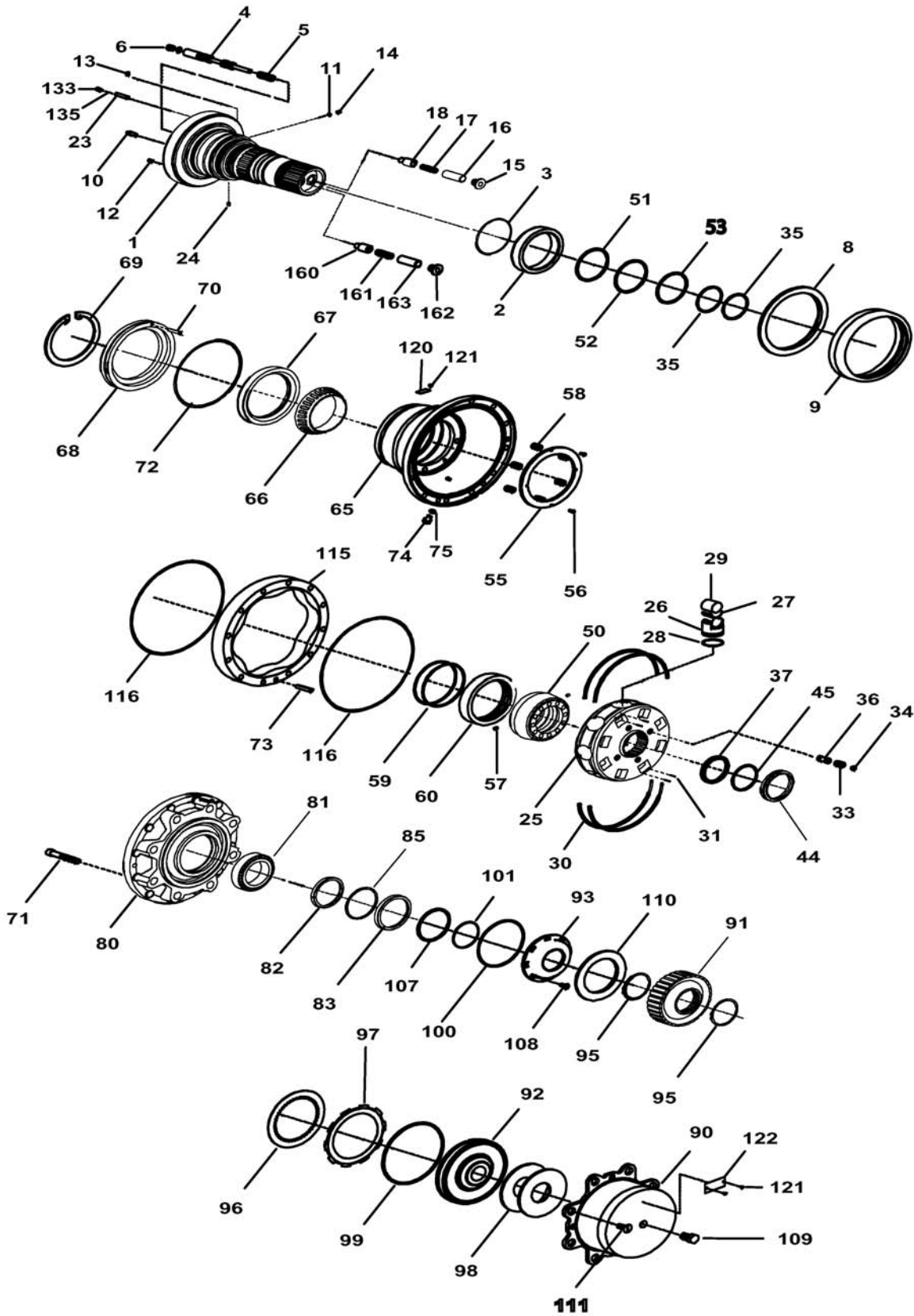
ITEM	PART #	QTY	DESCRIPTION	COMMENTS
REF	AG137249	1	WHEEL MOTOR/REAR RIGHT HAND	
REF	AG137589	1	SHAFT/BB406	
REF	AG717116	1	KIT-SEAL WHEEL MOTOR CLASS 6	[A]
1	AG727152	1	BLOCK/CYLINDER	
2	AG712292	12	PISTON RING	
3	AG727153	12	PISTON	
4	AG712291	12	ROLLER 517472	[B]
5	AG715300	2	GUIDE RING	[C]
6	AG715301	8	PIN	
7	AG715329	6	SPRING	
8	AG715297	1	BUSHING	
9	AG727154	1	SHAFT	
10	AG715327	1	REAR COVER	
13	AG713517	1	IDENTIFICATION TAG	
14	AG727155	1	DISTRIBUTOR	
15	AG717105	2	SEAL-RING	
16	AG717106	2	SEAL-RING	
17	AG717107	2	SEAL-RING	
18	AG713497	2	BLEED SCREW	
19	AG727156	1	HUB/COVER	
20	AG723837	1	COVER	
21	AG717110	1	RING-CAM,2421CC	
22	AG056818	12	HEX BEARING MATERIAL	
33	AG715331	2	GUIDE PIN	
34	AG715302	1	BEARING	[D]
35	AG715303	1	BEARING	
37	AG713520	20	BOLT M12	
46	AG715335	1	RETAINER RING	
48	AG715337	1	PIN	
49	AG715336	1	SHAFT SEAL	
50	AG715325	2	SCREW THUMB 10-24 W/SA/DER ZN	
53	AG715270	1	O RING	
56	AG715271	2	O RING	
71	AG717111	2	SEAL-RING	
72	AG715305	1	SPOOL	
73	AG715304	1	SPRING	
74	AG713288	1	PLUG	
75	AG717112	1	RING-GREASE	
76	AG715605	2	GREASE ZERK	
	FOOTNOTE [A]		SEAL ONLY - AG715336 - SEAL RING ONLY - AG717047, ALSO ORDER A AG715297 SEAL BUSHING & AG715270 ORING	
	FOOTNOTE [B]		PISTON TO CAM ROLLER	
	FOOTNOTE [C]		(2) 1/2 RINGS	
	FOOTNOTE [D]		LARGE BRG FOR CLASS 6 MOTOR, CAN USE AG723947 OR AG726332	
	FOOTNOTE:		AG897024 - REMANED AG122468	
	FOOTNOTE:		USE AG713288 UP TO SERIAL # 0560089 AFTER SERIAL # 0560089 USE AG137588	
	FOOTNOTE:		FOR OLDER PLUG 713288 RESEAL WITH 122783 SEALANT	



ITEM	PART #	QTY	DESCRIPTION	COMMENTS
REF	AG137250	1	WHEEL MOTOR/REAR LEFT HAND	
REF	AG137589	1	SHAFT/BB406	
REF	AG717116	1	KIT-SEAL WHEEL MOTOR CLASS 6	[A]
1	AG727152	1	BLOCK/CYLINDER	
2	AG712292	12	PISTON RING	
3	AG727153	12	PISTON	
4	AG712291	12	ROLLER 517472	[B]
5	AG715300	2	GUIDE RING	[C]
6	AG715301	8	PIN	
7	AG715329	6	SPRING	
8	AG715297	1	BUSHING	
9	AG727154	1	SHAFT	
10	AG715327	1	REAR COVER	
13	AG713517	1	IDENTIFICATION TAG	
14	AG727155	1	DISTRIBUTOR	
15	AG717105	2	SEAL-RING	
16	AG717106	2	SEAL-RING	
17	AG717107	2	SEAL-RING	
18	AG713497	2	BLEED SCREW	
19	AG727156	1	HUB/COVER	
20	AG723837	1	COVER	
21	AG717110	1	RING-CAM,2421CC	
22	AG056818	12	HEX BEARING MATERIAL	
33	AG715331	2	GUIDE PIN	
34	AG715302	1	BEARING	[D]
35	AG715303	1	BEARING	
37	AG713520	20	BOLT M12	
46	AG715335	1	RETAINER RING	
48	AG715337	1	PIN	
49	AG715336	1	SHAFT SEAL	
50	AG715325	2	SCREW THUMB 10-24 W/SA/DER ZN	
53	AG715270	1	O RING	
56	AG715271	2	O RING	
71	AG717111	2	SEAL-RING	
72	AG715305	1	SPOOL	
73	AG715304	1	SPRING	
74	AG713288	1	PLUG	
75	AG717112	1	RING-GREASE	
76	AG715605	2	GREASE ZERK	
	FOOTNOTE [A]		SEAL ONLY - AG715336 - SEAL RING ONLY - AG717047, ALSO ORDER A AG715297 SEAL BUSHING & AG715270 ORING	
	FOOTNOTE [B]		PISTON TO CAM ROLLER	
	FOOTNOTE [C]		(2) 1/2 RINGS	
	FOOTNOTE [D]		LARGE BRG FOR CLASS 6 MOTOR, CAN USE AG723947 OR AG726332	



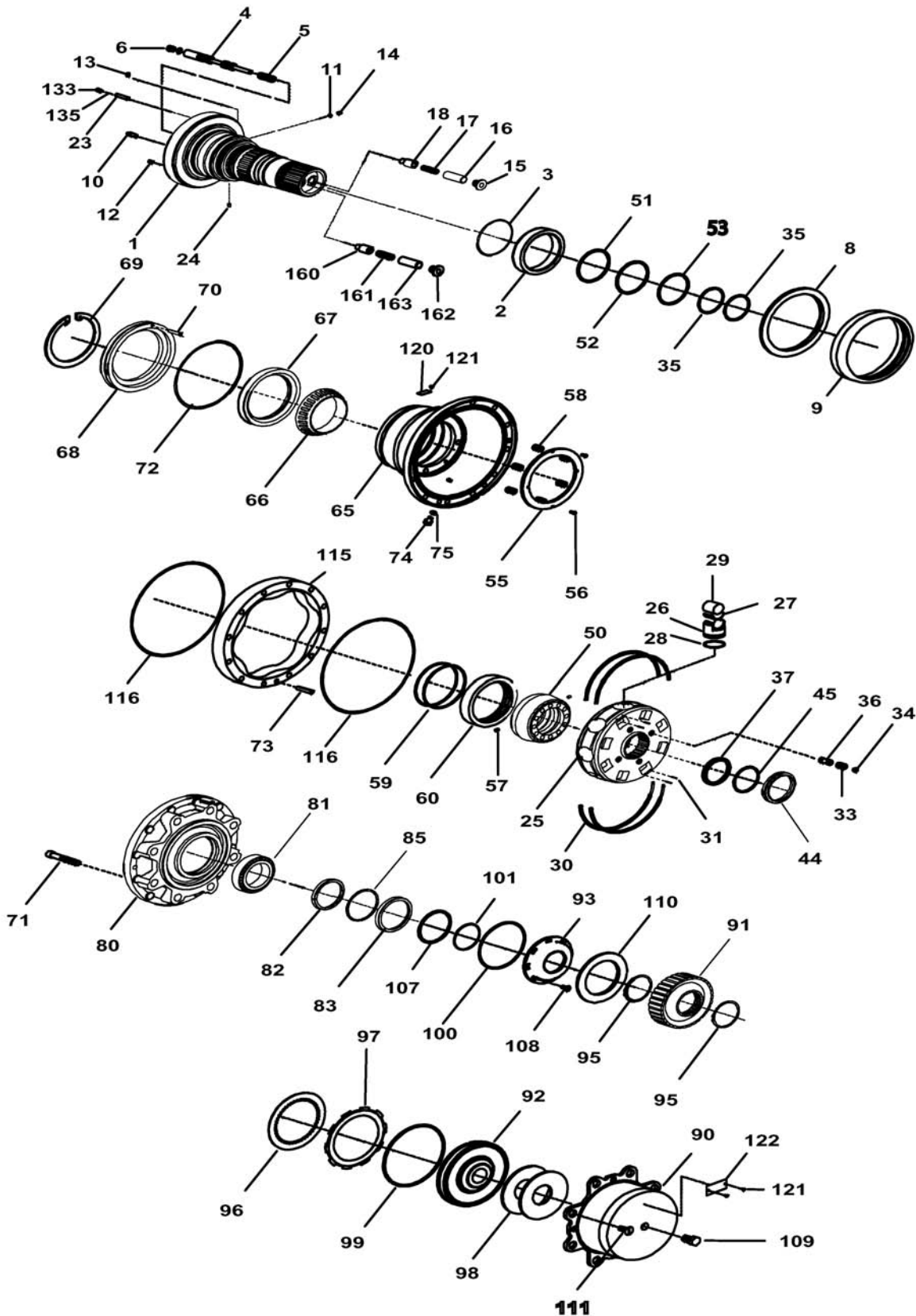
ITEM	PART #	QTY	DESCRIPTION	COMMENTS
REF	AG138317	-	KIT/SEAL-BLUE	
1	AG061249	2	SHAFT	
1	AG723854	1	SHAFT	
2	AG725289	1	BUSHING	
3	AG715270	1	O RING	
4	AG723870	-	SPOOL/2-SPEED	
5	AG715624	1	SPRING	
6	AG061250	1	PLUG	[A]
8	AG723865	1	SEALING RING	
9	AG061251	1	RING/GREASE	
10	AG726285	2	GREASE ZERK	
11	AG726286	2	VALVE, CHECK	
12	AG717101	1	PLUG-EXPANDER	
13	AG717097	1	PLUG-WHEEL MOTOR	
14	AG726289	2	TAPER PLUG	
15	AG723863	1	PLUG (CASE PRESSURE)	
16	AG723864	1	PLUG (CASE PRESSURE)	
17	AG723855	1	SPRING	
18	AG723856	1	CHECK VALVE (CASE PRESSURE)	
23	AG725290	1	PIN	
24	AG726290	2	EXPANDER PLUG	
25	AG723962	1	CYLINDER BLOCK	
26	AG726292	9	PISTON	
27	AG723964	9	PISTON INSERT	
28	AG726301	9	PIN	
29	AG726304	9	CAM ROLLER	
30	AG723967	2	RING/GUIDE	
31	AG726328	8	PIN	
33	AG723969	6	SPRING	
34	AG723968	6	PLUG	
35	AG726329	2	SEALING/RING	
36	AG723972	6	POPPET SPOOL	
37	AG723979	1	RETAINING RING	
44	AG723974	1	LOCKING RING	
45	AG726330	1	RETAINING RING	
50	AG725286	1	DISTRIBUTOR	
51	AG726963	1	RING/SEALING-NITRATED	
52	AG726964	1	RING/SEALING-NITRATED	
53	AG726962	1	RING/SEALING-NITRATED	
55	AG723848	1	CONNECTING RING	
56	AG715330	2	PIN	
57	AG715331	2	GUIDE PIN	
58	AG713281	8	SPRING TIMING	
59	AG726331	2	SEALING RING	
60	AG723843	1	SUPPORT RING	
65	AG723844	1	REAR COVER	
66	AG726332	1	AXIAL SPACER	[B]
67	AG726333	1	SHAFT SEAL	[C]
68	AG723949	1	SUPPORTING RING	
69	AG726334	1	RETAINING RING	
70	AG726335	1	PIN	
71	AG726336	20	SCREW	
72	AG726337	1	O RING	
73	AG715337	1	PIN	
74	AG713497	2	BLEED SCREW	
75	AG713525	2	WASHER	[D]
80	AG723977	1	HUB COVER	
81	AG726338	1	AXIAL SPACER	
82	AG058531	1	RETAINING RING	[E]
82	AG725277	1	SNAP RING-8.3MM	



ITEM	PART #	QTY	DESCRIPTION	COMMENTS
82	AG725278	1	SNAP RING-8.4MM	
82	AG725279	1	SNAP RING-8.5MM	
82	AG725280	1	SNAP RING-8.6MM	
82	AG725281	1	SNAP RING-8.7MM	
82	AG725282	1	SNAP RING-8.8MM	
82	AG725283	1	SNAP RING-8.9MM	
82	AG725284	1	SNAP RING-9.1MM	
82	AG725285	1	SNAP RING-9.2MM	
82	AG725292	1	SNAP RING,9.3MM	
83	AG058532	1	LOCKING RING	
85	AG726339	1	RETAINING RING	
90	AG726340	1	BRAKE COVER	
90	AG727212	1	COVER/BRAKE	[F]
91	AG726378	1	SPLINE/RING	
92	AG725737	1	BRAKE PISTON	
93	AG726341	1	SPACER	
95	AG726342	1	RETAINING RING	
96	AG726343	12	INNER BRAKE DISC	
97	AG726344	13	OUTER BRAKE DISC	
98	AG726345	2	BRAKE SPRING	
99	AG726346	1	O-RING	
100	AG726347	1	O RING/BRAKE COVER	
101	AG726348	1	O RING	
107	AG712294	1	PISTON RING	
108	AG726349	12	SCREW	
109	AG717120	1	PLUG-WHEEL MOTOR,CLASS 5	
109	AG726350	1	TAPER PLUG	[G]
110	AG726351	2	SHIM	
115	AG061253	1	RING/CAM 1572 CCM	
115	AG726352	1	CAM RING/1922 CCM	
116	AG726353	2	O RING	
120	AG713517	1	IDENTIFICATION TAG	
121	AG726354	4	PIN	
122	AG716527	1	NPL-AG CHEM LOGO,WHEEL MOTOR	[H]
133	AG726358	1	EXPANDER PLUG	
160	AG723847	1	SPOOL (SUCTION VALVE)	
161	AG723846	1	SPRING (SUCTION VALVE)	
162	AG723845	1	PLUG (SUCTION VALVE)	
163	AG723853	1	PLUG (SUCTION VALVE)	
	FOOTNOTE [A]		AS OF WHEEL MOTOR SERIAL NUMBER 05050153 THIS PLUG IS LONGER	
	FOOTNOTE [A]		AND HAS AN ORING SEAL ON IT. NEW PLUG IS A DIRECT REPLACEMENT	
	FOOTNOTE [A]		FOR OLD. ORING IS NOT AVAILABLE SEPERATE MUST ORDER PLUG.	
	FOOTNOTE [B]		REPLACED BY AG715302	
	FOOTNOTE [C]		REPLACED BY AG727651	
	FOOTNOTE [D]		BRASS WASHER TO SEAL BLEED PLUG	
	FOOTNOTE [E]		058531 IS 9.0MM THICK SEE BELOW FOR OTHER OPTIONS	
	FOOTNOTE [E]		8.3MM - AG725277	
	FOOTNOTE [E]		8.4MM - 725278	
	FOOTNOTE [E]		8.5MM - 725279	
	FOOTNOTE [E]		8.6MM - AG725280	
	FOOTNOTE [E]		8.7MM - 725281	
	FOOTNOTE [E]		8.8MM - AG725282	
	FOOTNOTE [E]		8.9MM - AG725283	
	FOOTNOTE [E]		9.0MM - 058531	
	FOOTNOTE [E]		9.1MM - AG725284	
	FOOTNOTE [E]		9.2MM -AG725285	
	FOOTNOTE [E]		9.3MM - AG725292	
	FOOTNOTE [F]		FOR BB6 WHEEL MOTORS NOT USED	

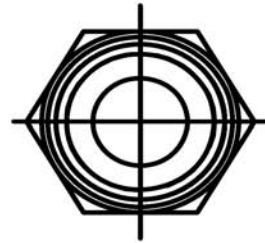
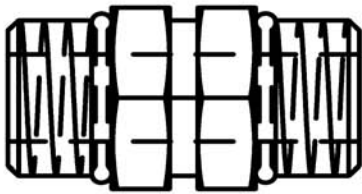
FOOTNOTE [G]
FOOTNOTE [H]

REPLACED BY AG524574
AG713518 - RIVET, 2 PER TAG.

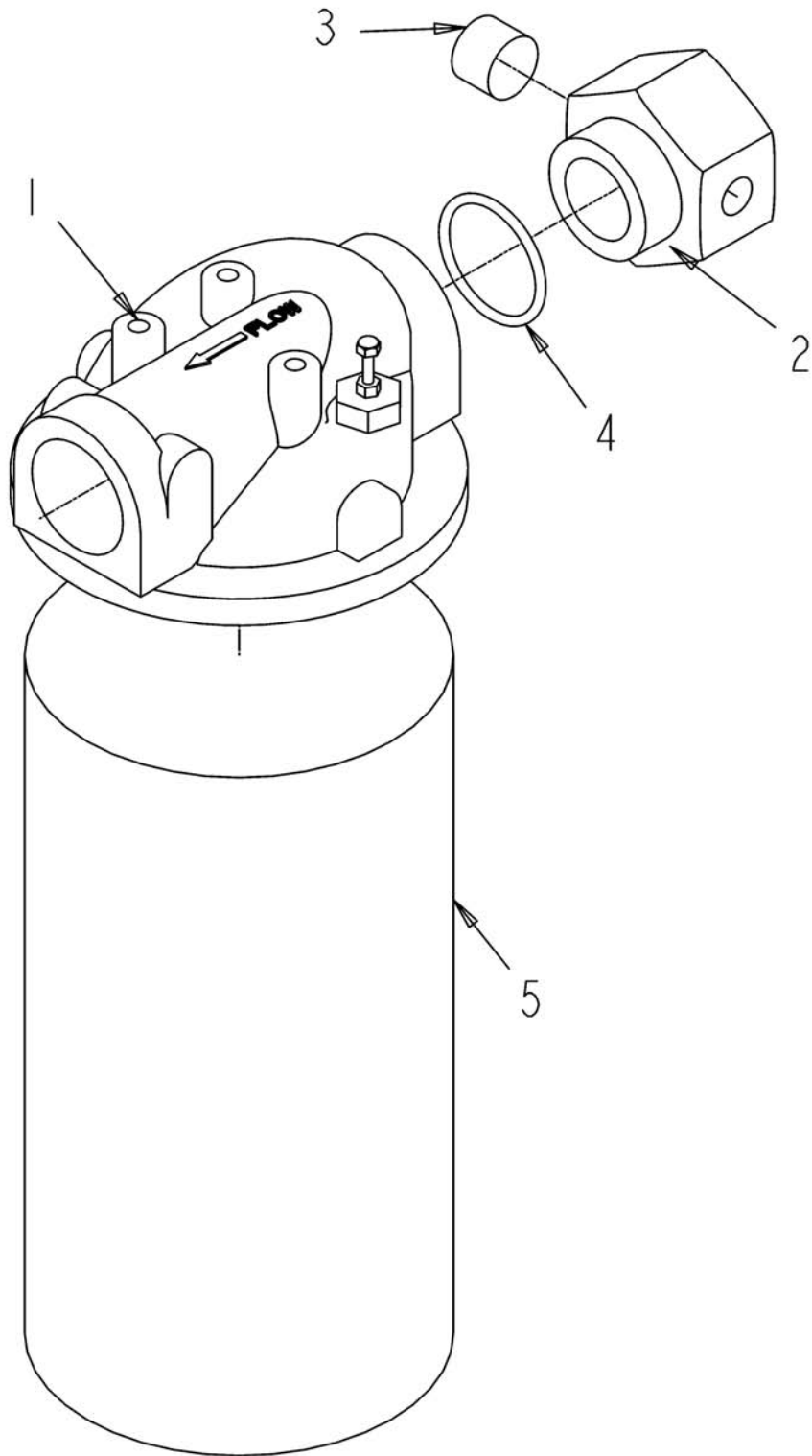


ITEM	PART #	QTY	DESCRIPTION	COMMENTS
------	--------	-----	-------------	----------

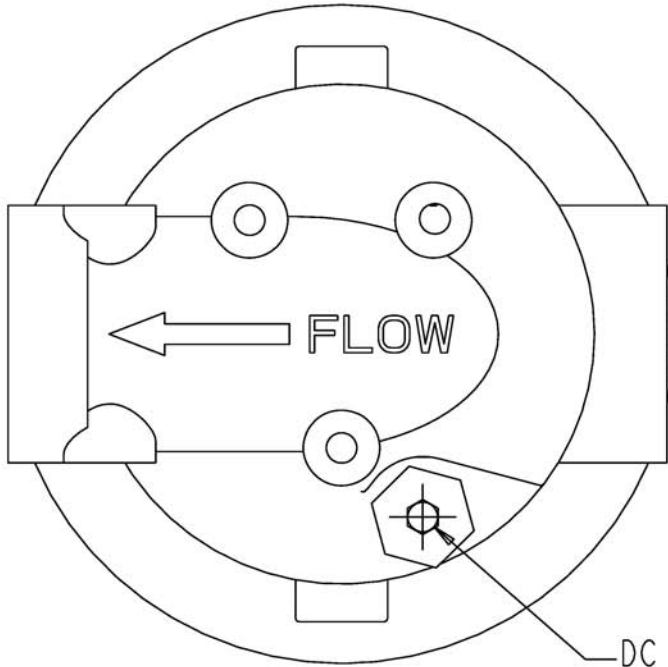
	FOOTNOTE:		USES A AG138317 BLUE SEAL	
--	-----------	--	---------------------------	--



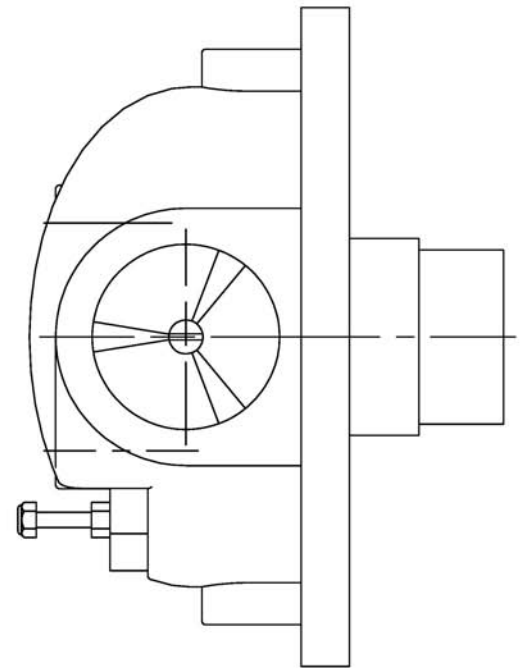
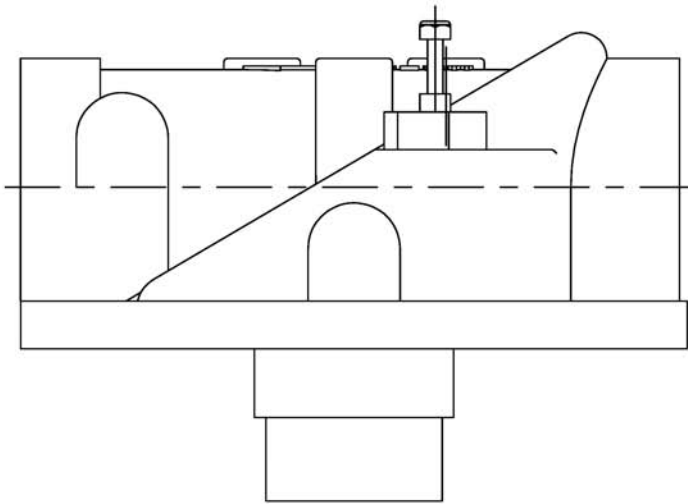
ITEM	PART #	QTY	DESCRIPTION	COMMENTS
REF	AG713670	-	O RING POLY	



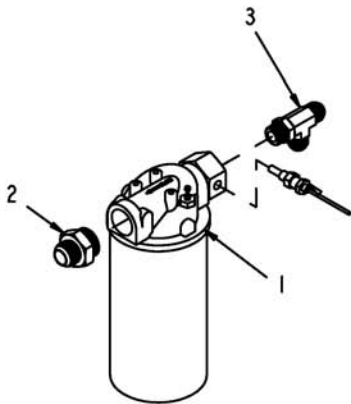
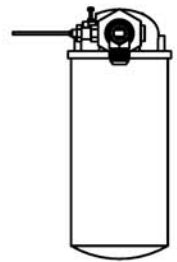
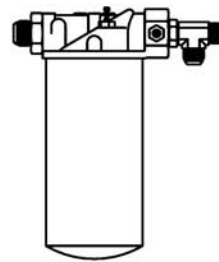
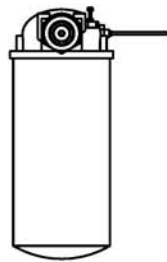
ITEM	PART #	QTY	DESCRIPTION	COMMENTS
1	AG121588	1	FILTER-HYD,NO BY-PASS,CASE DRN	SEE PAGE 5-31
2	AG132598	1	ADAPTER-FILTER,CASE DRAIN	
3	AG561082	1	PIPE PLUG HX 0.50 NPT STL	
4	AG714806	1	O RING -20	
5	AG715586	1	ELEMENT FILTER	



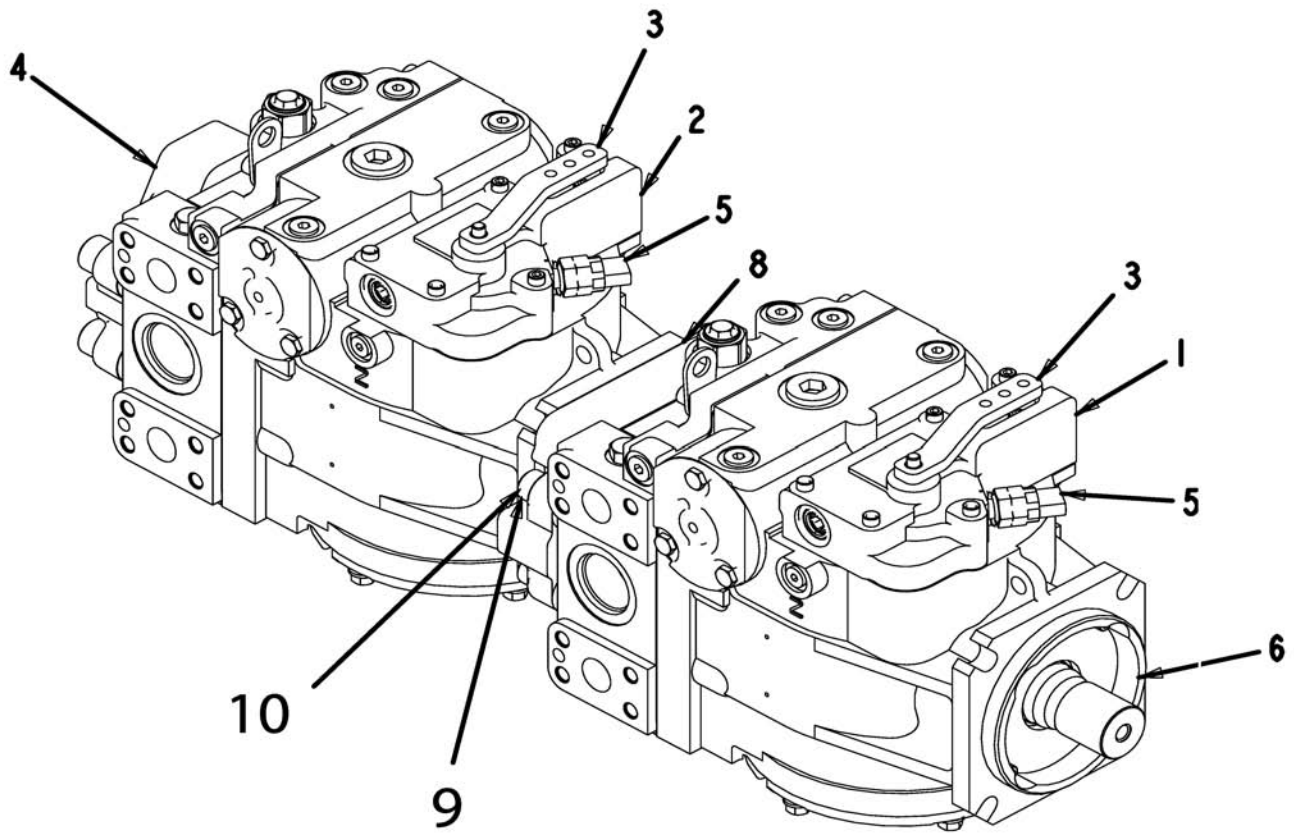
DC INDICATOR @22 PSI
(AG-CHEM P/N 122807)



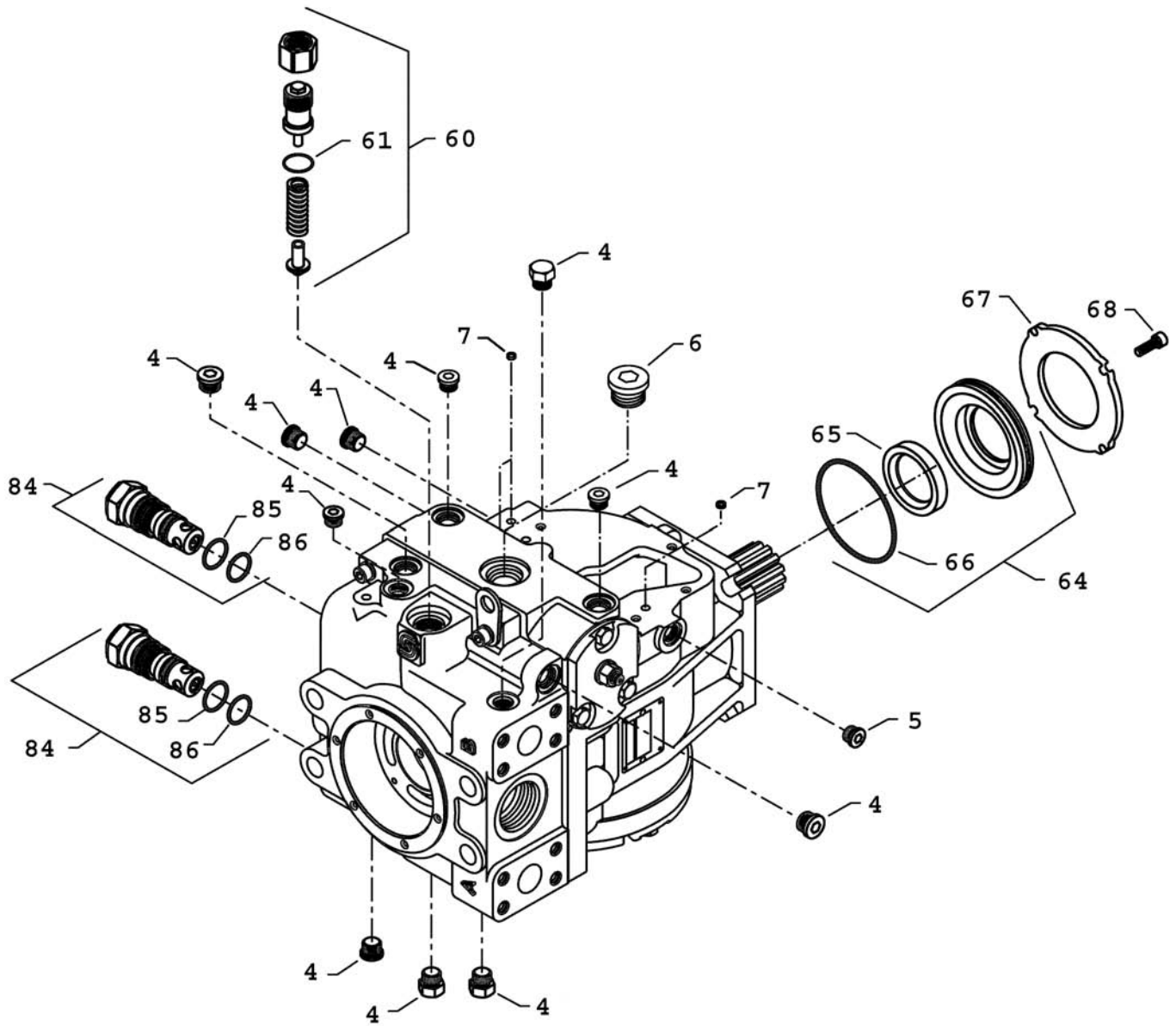
ITEM	PART #	QTY	DESCRIPTION	COMMENTS
REF	AG122807 FOOTNOTE [A] FOOTNOTE: FOOTNOTE:	1	INDICATOR-ELEC,22PSID DC REPLACED BY AG727672 DUE TO A CHANGE MADE BY THE VENDOR. 22 PSI INDICATOR - AG122807 TEMP SWITCH - AG121886 THIS IS A MECHANICAL TEMP GAUGE & SWITCH	[A]



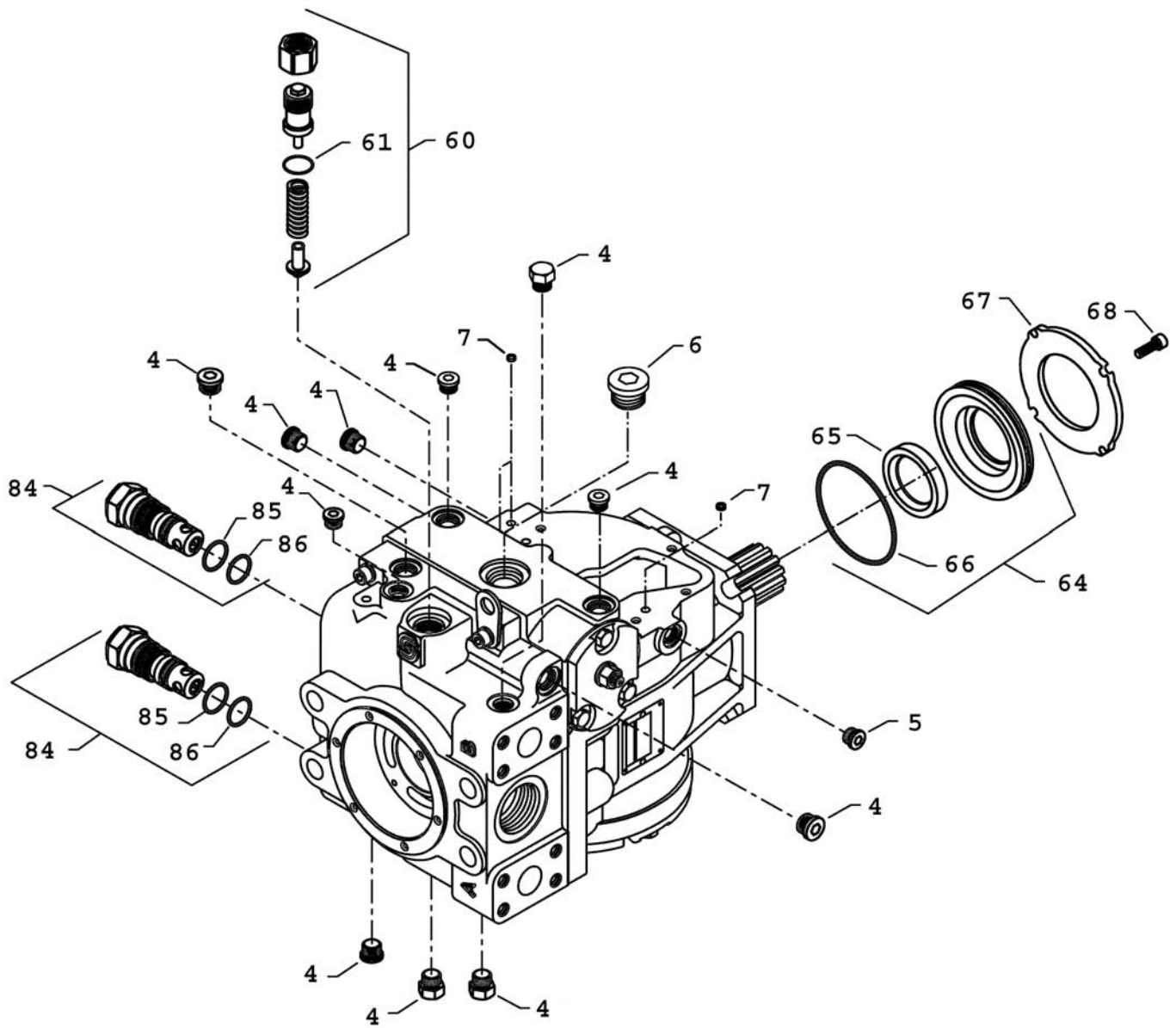
ITEM	PART #	QTY	DESCRIPTION	COMMENTS
1	AG132599	1	FILTER-HYD,CASE DRAIN	SEE PAGE 5-30
2	AG560766	1	ADAP STR -20MBX-16MJ	
3	AG561461	1	TEE 0.75MO-R X 0.75MJIC(2)	[A]
	FOOTNOTE [A]		AG562511 O-RING	



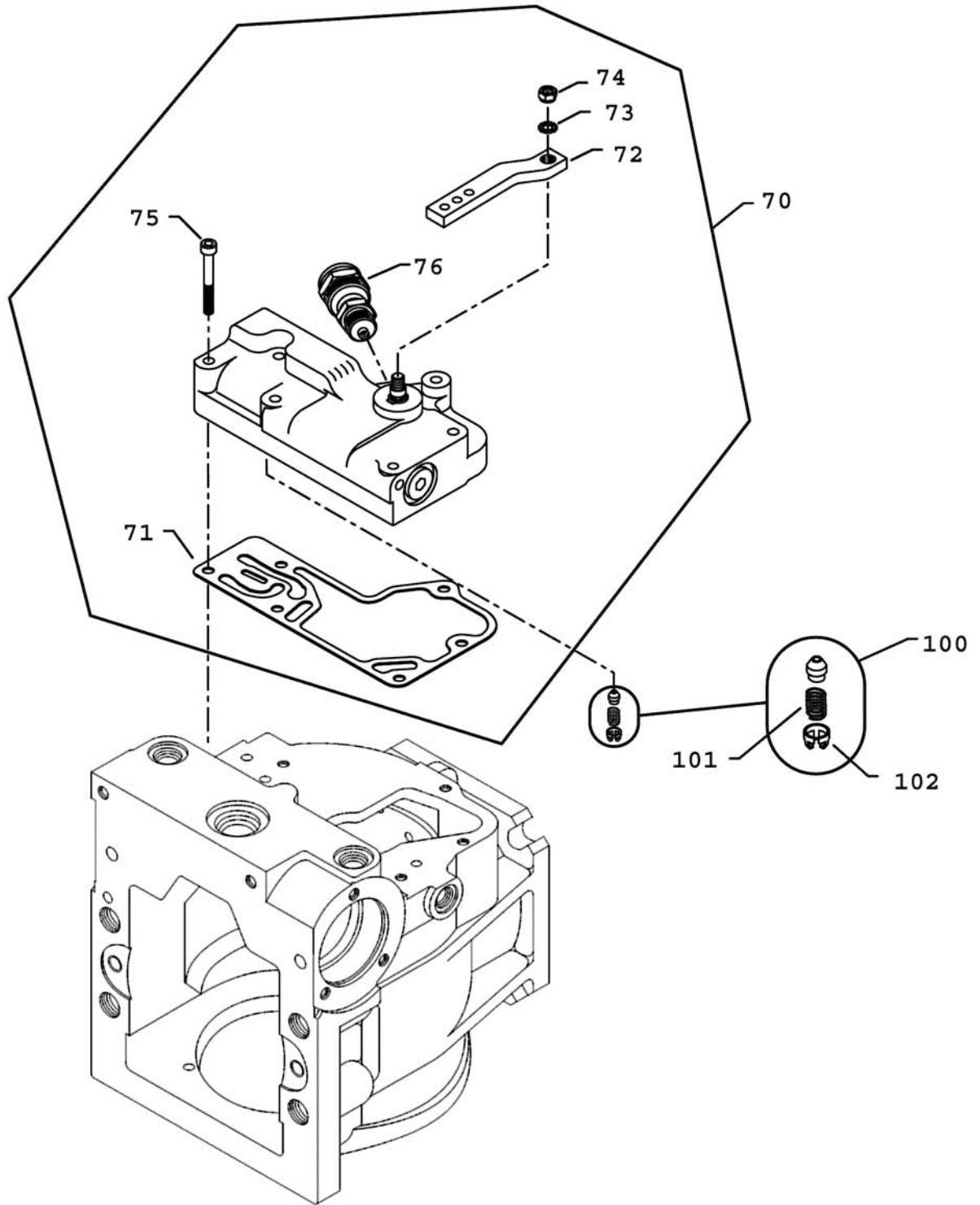
ITEM	PART #	QTY	DESCRIPTION	COMMENTS
REF	AG425744	1	VALVE/CHRG REL KIT	
REF	AG425745	1	COUPLING	
REF	AG425746	1	COVER/CHARGE PUMP	
1	AG134932	1	PUMP-HYD,FRONT HYDRO (133247)	SEE PAGE 5-34
2	AG134933	1	PUMP-HYD,REAR HYDRO (133247)	SEE PAGE 5-35
3	AG263153	2	ARM-CONT,PUMP,HYDRO,SERIES II	
4	AG714257	1	O RING,4.00 ID X.09W,B-PAD	[A]
5	AG133277	2	SWITCH-NEUTRAL START,SAUER	
6	AG133278	1	KIT-SEAL,FRONT,SAUER	
7	AG133279	2	KIT-SEAL,COMPLETE,SAUER 100CC	
8	AG134396	1	O-RING,C-PAD,SAUER TANDEM	
9	AG137570	4	WASHER	
10	AG137569	4	SCREW	
	FOOTNOTE [A]		BIG O-RING USED ON EATON CHARGE PUMP, BLACK IN COLOR 4 DIA.	



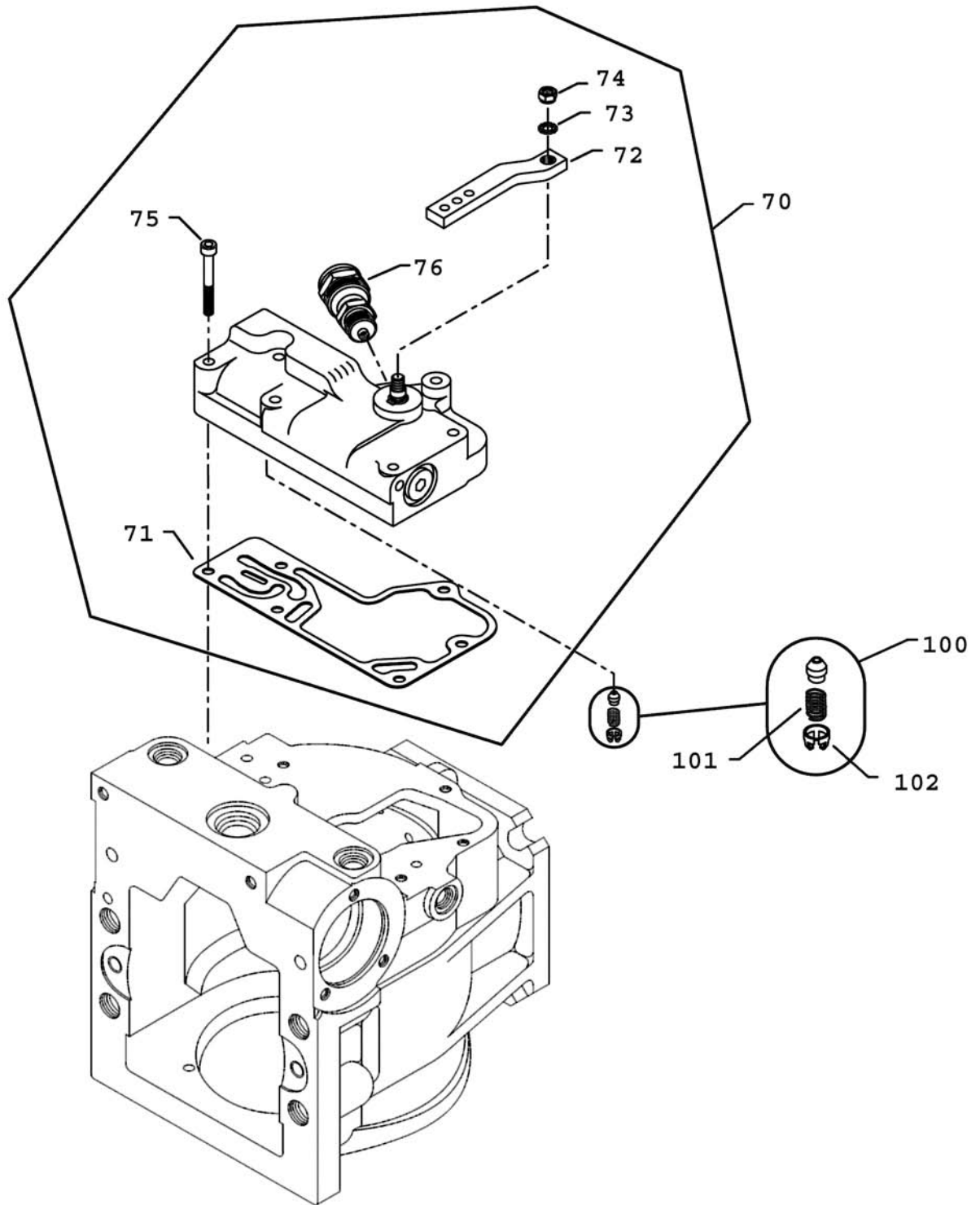
ITEM	PART #	QTY	DESCRIPTION	COMMENTS
REF	AG137568	1	KIT/GASKET SEAL OVERHAUL	
1	71374958	1	VARIABLE HOUSING	
2	71374872	1	BEARING ASM	
3	71355340	2	PIN	
4	700725864	13	PLUG	
5	71374873	1	PLUG	
6	1077605M1	1	PLUG	
7	71355339	3	FILTER/CONTROL SCREEN	
9	71374876	1	SWASHPLATE/VARIABLE ASM	
10	71374877	1	SERVO/ARM ASM	
11	71374879	1	SWASHPLATE/VARIABLE	
12	71374880	1	SCREW	
13	71374881	1	SWASHPLATE/GUIDE	
14	71374882	1	SCREW	
15	71374883	1	WASHER	
16	71374884	1	PIN/SPIRAL	
17	71374875	1	CAGE/LOCATER LINK	
18	AG137544	1	LINK/FEEDBACK	
19	AG137545	1	PIN	
20	71374886	1	SPRING	
21	71374960	1	COVER/SIDE	
22	AG137546	1	LEVELER ASM	
23	71396130	2	SHIM	
24	AG137547	2	GUIDE POST	
25	1077627M1	2	NUT	
26	1077628M1	1	O-RING	
27	71374890	6	SCREW	
29	71374891	2	SPRING	
30	AG137548	1	COVER/SIDE INSERT ASM	
31	71374901	2	KIT/SERVO CYLINDER	
32	1077636M1	2	O-RING	
33	1077637M1	2	O-RING	
34	1077638M1	6	SCREW	
35	71396133	1	KIT/SERVO PISTON	
36	1077633M1	2	O-RING	
37	71358545	2	PISTON RING	
38	1077635M1	1	BLOCK/SLIDER	
39	71374893	1	CAP/END ASM,TWIN PORTS	
40	71374834	1	BEARING/JOURNAL	
41	71374898	1	CAP/END GASKET	
42	71374894	1	BUSHING	
43	71374900	2	SCREW	
44	71374895	1	BRACKET SPACER/LIFTING	
45	71374896	1	BRACKET/LIFTING	
46	71374897	1	WASHER	
47	AG137549	1	PUMP/CHARGE SET	
48	AG137550	1	PIN	
49	AG137551	1	SHAFT/CHARGE PUMP	
50	1077656M1	1	KEY	
51	71774840	1	SCREW	
52	AG425745	1	COUPLING	
53	AG425746	1	COVER/CHARGE PUMP	
54	AG134396	1	O-RING,C-PAD,SAUER TANDEM	
55	AG137554	1	FLANGE/ADAPTER	
56	AG137555	4	SCREW/SOCKET HEAD	
57	AG137556	1	SEAL/B PAD	
58	AG137557	1	COVER/FLANGE	
59	AG137558	2	SCREW	
60	AG425744	1	VALVE/CHRG REL KIT	
61	70928486	1	O-RING	



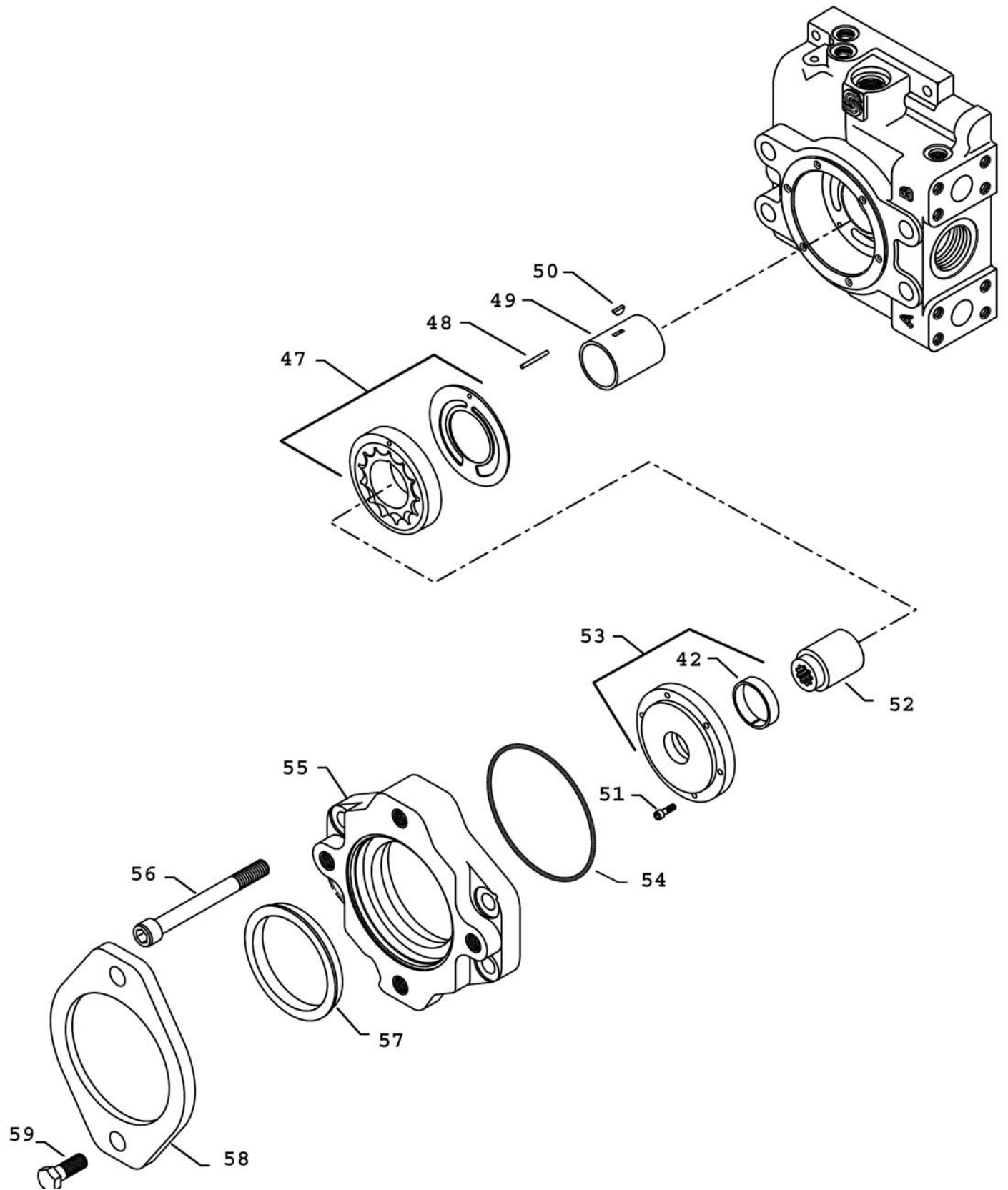
ITEM	PART #	QTY	DESCRIPTION	COMMENTS
62	71374952	1	BEARING/ROLLER	
63	1077664M1	1	RING/RETAINING	
64	AG133278	1	KIT-SEAL,FRONT,SAUER	
65	1077666M1	1	SEAL/LIP	
66	70937632	1	O-RING	
67	71374839	1	PLATE/RETAINING	
68	71374840	1	SCREW/METRIC	
70	AG137559	1	KIT/MDC NEUTRAL SWITCH	
71	AG137560	1	GASKET/CONTROL	
72	AG137561	1	HANDLE/SHAFT CONTROL	
73	71374866	1	WASHER/TOOTHLOCK	
74	71374867	1	NUT	
75	1077673M1	6	SCREW	
76	AG137562	1	KIT/NEUTRAL START SWITCH	
82	AG727297	2	O-RING	
83	AG133231	1	ELEMENT-FILTER,OIL,SAUER PUMP	
84	AG722601	1	VALVE-MULTI-FUNCTIONAL	
85	AG137565	1	O-RING	
85	AG137566	1	SCREW	
86	1077682M1	1	O-RING	
87	71374870	1	VALVE/CHECK	
88	1077684M1	1	PLUG/PIPE	
89	71396140	1	KIT/CYLINDER BLOCK	
90	71374842	1	CYLINDER/BLOCK ASM	
91	71374844	1	SPRING	
92	71374843	1	SPRING/SEAT	
93	71374845	1	SPRING/RETAINER	
94	1077611M1	1	RING/RETAINING	
95	71374846	9	PISTON/WELDED ASM	
96	71374847	1	GUIDE/SLIPPER	
97	71374904	2	BEARING/SLIPPER GUIDE	
98	71396141	4	SPACER	
100	AG137567	1	KIT/ORIFCE CONTROL .040	
101	71374908	1	SPRING	
102	71374909	1	SPRING/RETAINER	
103	AG137570	4	WASHER	
104	AG137569	4	SCREW	
105	AG714257	1	O RING,4.00 ID X.09W,B-PAD	[A]
	FOOTNOTE [A]		BIG O-RING USED ON EATON CHARGE PUMP, BLACK IN COLOR 4 DIA.	



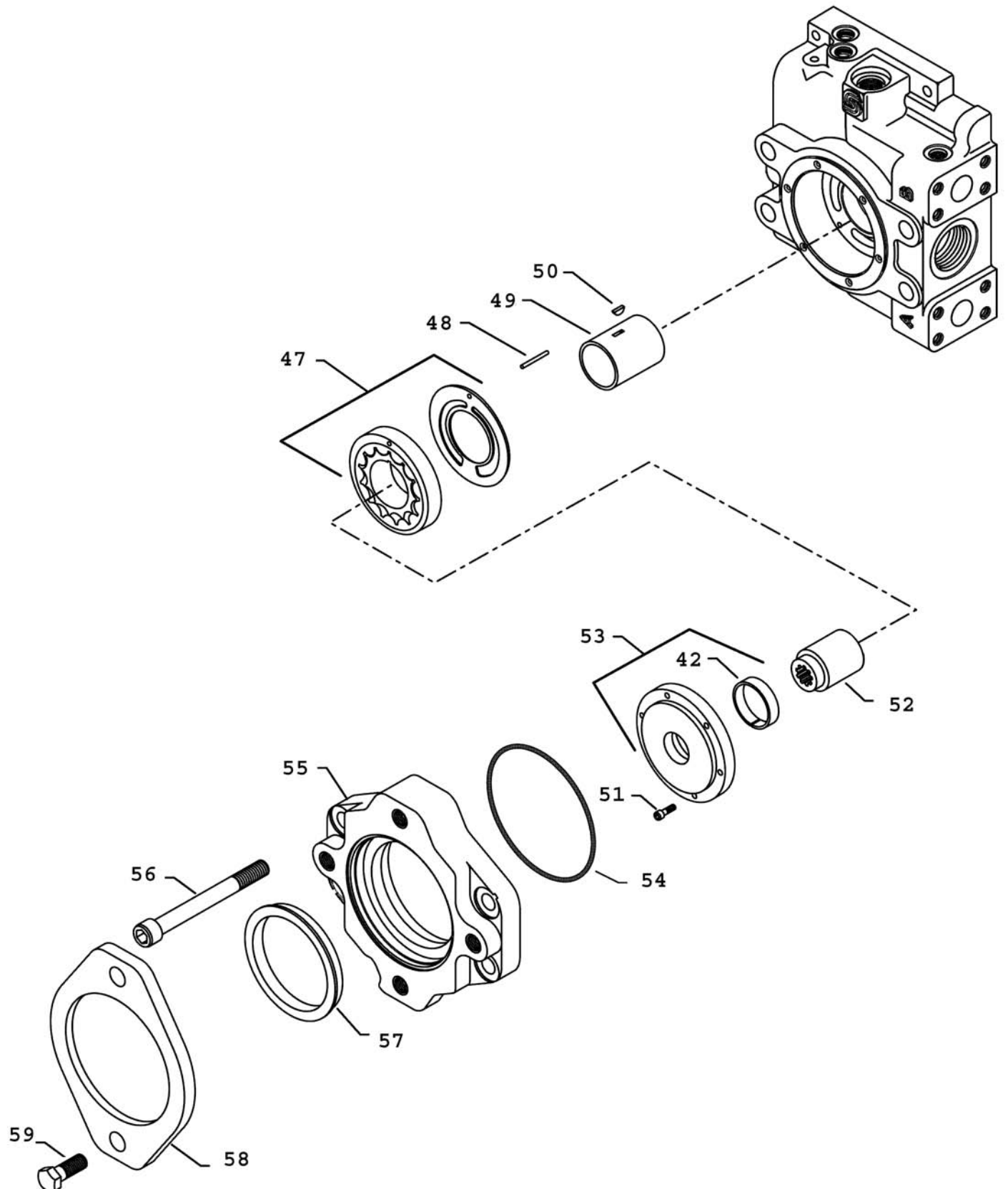
ITEM	PART #	QTY	DESCRIPTION	COMMENTS
REF	AG137568	1	KIT/GASKET SEAL OVERHAUL	
1	71374958	1	VARIABLE HOUSING	
2	71374872	1	BEARING ASM	
3	71355340	2	PIN	
4	700725864	13	PLUG	
5	71374873	1	PLUG	
6	1077605M1	1	PLUG	
7	71355339	3	FILTER/CONTROL SCREEN	
9	71374876	1	SWASHPLATE/VARIABLE ASM	
10	71374877	1	SERVO/ARM ASM	
11	71374879	1	SWASHPLATE/VARIABLE	
12	71374880	1	SCREW	
13	71374881	1	SWASHPLATE/GUIDE	
14	71374882	1	SCREW	
15	71374883	1	WASHER	
16	71374884	1	PIN/SPIRAL	
17	71374875	1	CAGE/LOCATER LINK	
18	AG137544	1	LINK/FEEDBACK	
19	AG137545	1	PIN	
20	71374886	1	SPRING	
21	71374960	1	COVER/SIDE	
22	AG137546	1	LEVELER ASM	
23	71396130	2	SHIM	
24	AG137547	2	GUIDE POST	
25	1077627M1	2	NUT	
26	1077628M1	1	O-RING	
27	71374890	6	SCREW	
29	71374891	2	SPRING	
30	AG137548	1	COVER/SIDE INSERT ASM	
31	71374901	2	KIT/SERVO CYLINDER	
32	1077636M1	2	O-RING	
33	1077637M1	2	O-RING	
34	1077638M1	6	SCREW	
35	71396133	1	KIT/SERVO PISTON	
36	1077633M1	2	O-RING	
37	71358545	2	PISTON RING	
38	1077635M1	1	BLOCK/SLIDER	
39	71374893	1	CAP/END ASM,TWIN PORTS	
40	71374834	1	BEARING/JOURNAL	
41	71374898	1	CAP/END GASKET	
42	71374894	1	BUSHING	
43	71374900	2	SCREW	
44	71374895	1	BRACKET SPACER/LIFTING	
45	71374896	1	BRACKET/LIFTING	
46	71374897	1	WASHER	
47	AG137549	1	PUMP/CHARGE SET	
48	AG137550	1	PIN	
49	AG137551	1	SHAFT/CHARGE PUMP	
50	1077656M1	1	KEY	
51	71774840	1	SCREW	
52	AG425745	1	COUPLING	
53	AG425746	1	COVER/CHARGE PUMP	
54	AG134396	1	O-RING,C-PAD,SAUER TANDEM	
55	AG137554	1	FLANGE/ADAPTER	
56	AG137555	4	SCREW/SOCKET HEAD	
57	AG137556	1	SEAL/B PAD	
58	AG137557	1	COVER/FLANGE	
59	AG137558	2	SCREW	
60	AG425744	1	VALVE/CHRG REL KIT	
61	70928486	1	O-RING	



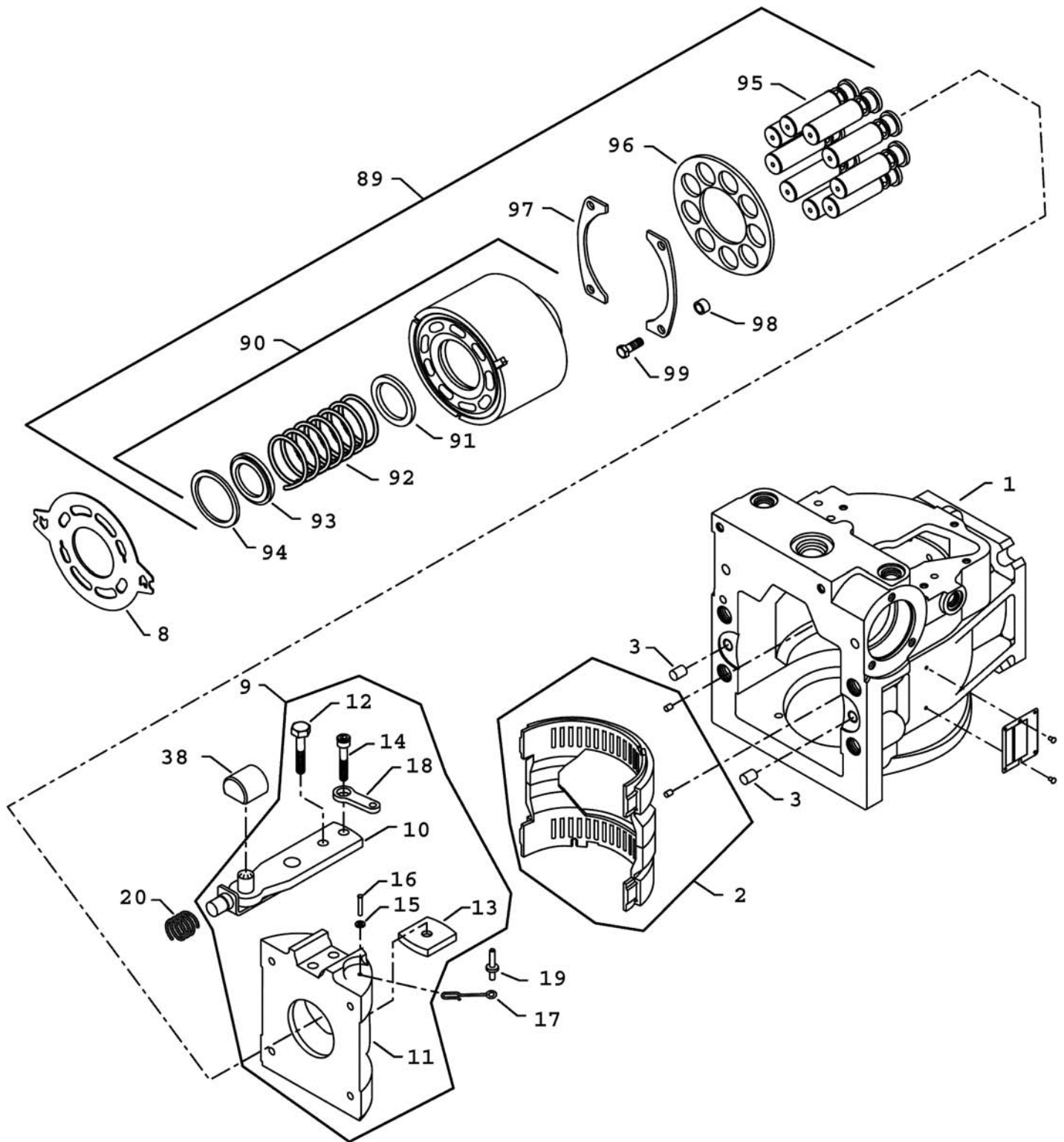
ITEM	PART #	QTY	DESCRIPTION	COMMENTS
62	71374952	1	BEARING/ROLLER	
63	1077664M1	1	RING/RETAINING	
64	AG133278	1	KIT-SEAL,FRONT,SAUER	
65	1077666M1	1	SEAL/LIP	
66	70937632	1	O-RING	
67	71374839	1	PLATE/RETAINING	
68	71374840	1	SCREW/METRIC	
70	AG137559	1	KIT/MDC NEUTRAL SWITCH	
71	AG137560	1	GASKET/CONTROL	
72	AG137561	1	HANDLE/SHAFT CONTROL	
73	71374866	1	WASHER/TOOTHLOCK	
74	71374867	1	NUT	
75	1077673M1	6	SCREW	
76	AG137562	1	KIT/NEUTRAL START SWITCH	
82	AG727297	2	O-RING	
83	AG133231	1	ELEMENT-FILTER,OIL,SAUER PUMP	
84	AG722601	1	VALVE-MULTI-FUNCTIONAL	
85	AG137565	1	O-RING	
85	AG137566	1	SCREW	
86	1077682M1	1	O-RING	
87	71374870	1	VALVE/CHECK	
88	1077684M1	1	PLUG/PIPE	
89	71396140	1	KIT/CYLINDER BLOCK	
90	71374842	1	CYLINDER/BLOCK ASM	
91	71374844	1	SPRING	
92	71374843	1	SPRING/SEAT	
93	71374845	1	SPRING/RETAINER	
94	1077611M1	1	RING/RETAINING	
95	71374846	9	PISTON/WELDED ASM	
96	71374847	1	GUIDE/SLIPPER	
97	71374904	2	BEARING/SLIPPER GUIDE	
98	71396141	4	SPACER	
100	AG137567	1	KIT/ORIFCE CONTROL .040	
101	71374908	1	SPRING	
102	71374909	1	SPRING/RETAINER	
103	AG137570	4	WASHER	
104	AG137569	4	SCREW	
105	AG714257	1	O RING,4.00 ID X.09W,B-PAD	[A]
	FOOTNOTE [A]		BIG O-RING USED ON EATON CHARGE PUMP, BLACK IN COLOR 4 DIA.	



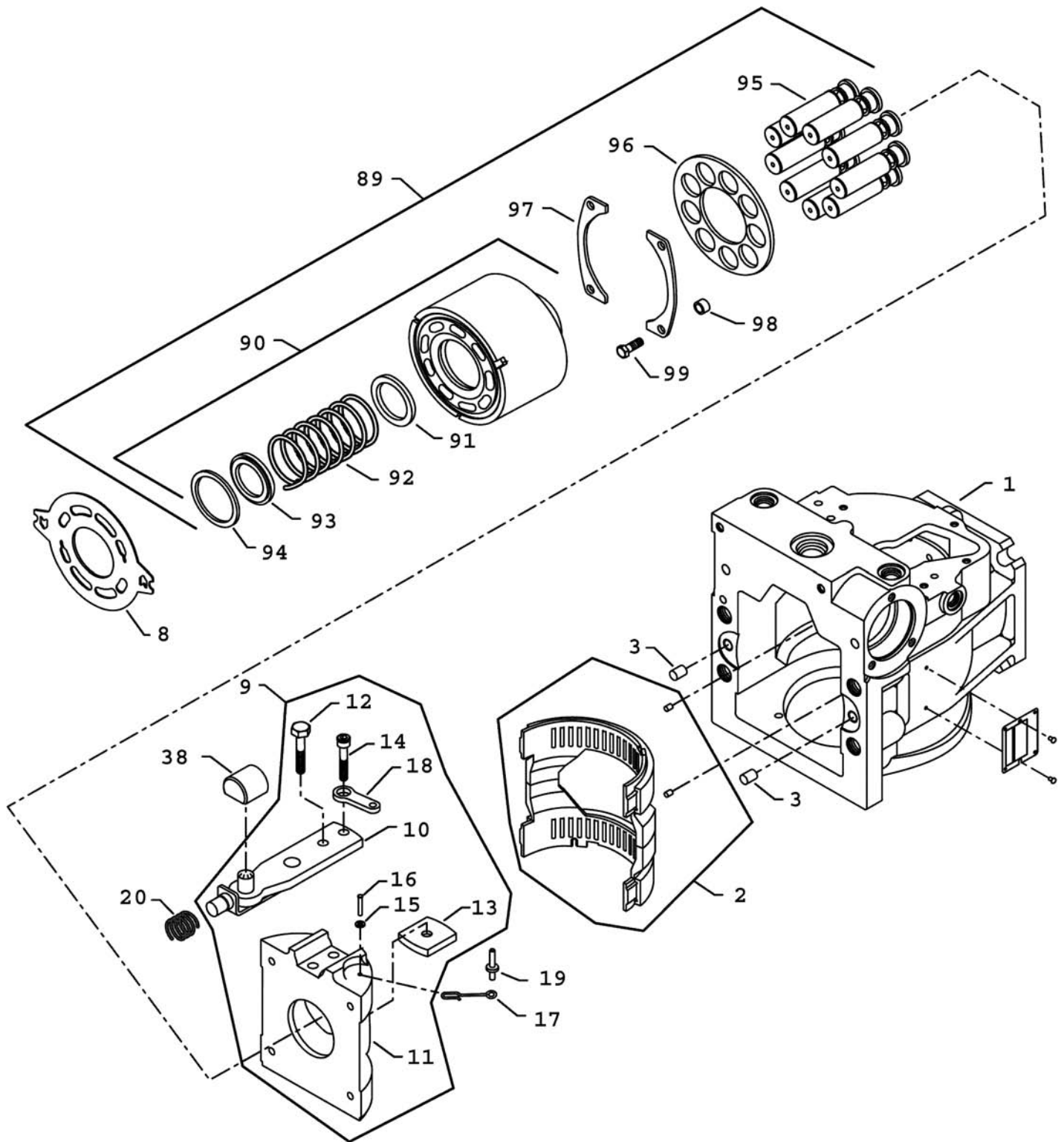
ITEM	PART #	QTY	DESCRIPTION	COMMENTS
REF	AG137568	1	KIT/GASKET SEAL OVERHAUL	
1	71374958	1	VARIABLE HOUSING	
2	71374872	1	BEARING ASM	
3	71355340	2	PIN	
4	700725864	13	PLUG	
5	71374873	1	PLUG	
6	1077605M1	1	PLUG	
7	71355339	3	FILTER/CONTROL SCREEN	
9	71374876	1	SWASHPLATE/VARIABLE ASM	
10	71374877	1	SERVO/ARM ASM	
11	71374879	1	SWASHPLATE/VARIABLE	
12	71374880	1	SCREW	
13	71374881	1	SWASHPLATE/GUIDE	
14	71374882	1	SCREW	
15	71374883	1	WASHER	
16	71374884	1	PIN/SPIRAL	
17	71374875	1	CAGE/LOCATER LINK	
18	AG137544	1	LINK/FEEDBACK	
19	AG137545	1	PIN	
20	71374886	1	SPRING	
21	71374960	1	COVER/SIDE	
22	AG137546	1	LEVELER ASM	
23	71396130	2	SHIM	
24	AG137547	2	GUIDE POST	
25	1077627M1	2	NUT	
26	1077628M1	1	O-RING	
27	71374890	6	SCREW	
29	71374891	2	SPRING	
30	AG137548	1	COVER/SIDE INSERT ASM	
31	71374901	2	KIT/SERVO CYLINDER	
32	1077636M1	2	O-RING	
33	1077637M1	2	O-RING	
34	1077638M1	6	SCREW	
35	71396133	1	KIT/SERVO PISTON	
36	1077633M1	2	O-RING	
37	71358545	2	PISTON RING	
38	1077635M1	1	BLOCK/SLIDER	
39	71374893	1	CAP/END ASM,TWIN PORTS	
40	71374834	1	BEARING/JOURNAL	
41	71374898	1	CAP/END GASKET	
42	71374894	1	BUSHING	
43	71374900	2	SCREW	
44	71374895	1	BRACKET SPACER/LIFTING	
45	71374896	1	BRACKET/LIFTING	
46	71374897	1	WASHER	
47	AG137549	1	PUMP/CHARGE SET	
48	AG137550	1	PIN	
49	AG137551	1	SHAFT/CHARGE PUMP	
50	1077656M1	1	KEY	
51	71774840	1	SCREW	
52	AG425745	1	COUPLING	
53	AG425746	1	COVER/CHARGE PUMP	
54	AG134396	1	O-RING,C-PAD,SAUER TANDEM	
55	AG137554	1	FLANGE/ADAPTER	
56	AG137555	4	SCREW/SOCKET HEAD	
57	AG137556	1	SEAL/B PAD	
58	AG137557	1	COVER/FLANGE	
59	AG137558	2	SCREW	
60	AG425744	1	VALVE/CHRG REL KIT	
61	70928486	1	O-RING	



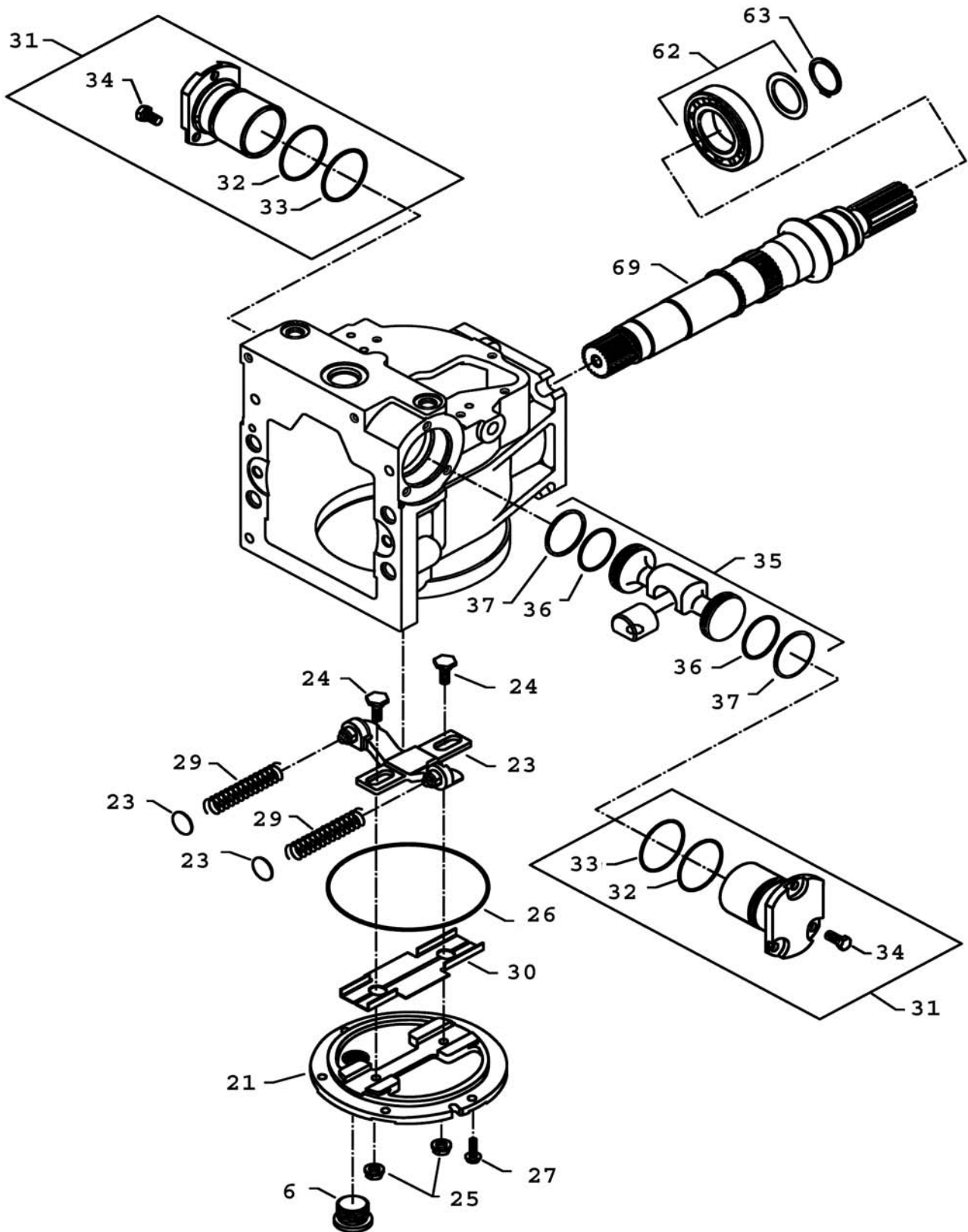
ITEM	PART #	QTY	DESCRIPTION	COMMENTS
62	71374952	1	BEARING/ROLLER	
63	1077664M1	1	RING/RETAINING	
64	AG133278	1	KIT-SEAL,FRONT,SAUER	
65	1077666M1	1	SEAL/LIP	
66	70937632	1	O-RING	
67	71374839	1	PLATE/RETAINING	
68	71374840	1	SCREW/METRIC	
70	AG137559	1	KIT/MDC NEUTRAL SWITCH	
71	AG137560	1	GASKET/CONTROL	
72	AG137561	1	HANDLE/SHAFT CONTROL	
73	71374866	1	WASHER/TOOTHLOCK	
74	71374867	1	NUT	
75	1077673M1	6	SCREW	
76	AG137562	1	KIT/NEUTRAL START SWITCH	
82	AG727297	2	O-RING	
83	AG133231	1	ELEMENT-FILTER,OIL,SAUER PUMP	
84	AG722601	1	VALVE-MULTI-FUNCTIONAL	
85	AG137565	1	O-RING	
85	AG137566	1	SCREW	
86	1077682M1	1	O-RING	
87	71374870	1	VALVE/CHECK	
88	1077684M1	1	PLUG/PIPE	
89	71396140	1	KIT/CYLINDER BLOCK	
90	71374842	1	CYLINDER/BLOCK ASM	
91	71374844	1	SPRING	
92	71374843	1	SPRING/SEAT	
93	71374845	1	SPRING/RETAINER	
94	1077611M1	1	RING/RETAINING	
95	71374846	9	PISTON/WELDED ASM	
96	71374847	1	GUIDE/SLIPPER	
97	71374904	2	BEARING/SLIPPER GUIDE	
98	71396141	4	SPACER	
100	AG137567	1	KIT/ORIFCE CONTROL .040	
101	71374908	1	SPRING	
102	71374909	1	SPRING/RETAINER	
103	AG137570	4	WASHER	
104	AG137569	4	SCREW	
105	AG714257	1	O RING,4.00 ID X.09W,B-PAD	[A]
	FOOTNOTE [A]		BIG O-RING USED ON EATON CHARGE PUMP, BLACK IN COLOR 4 DIA.	



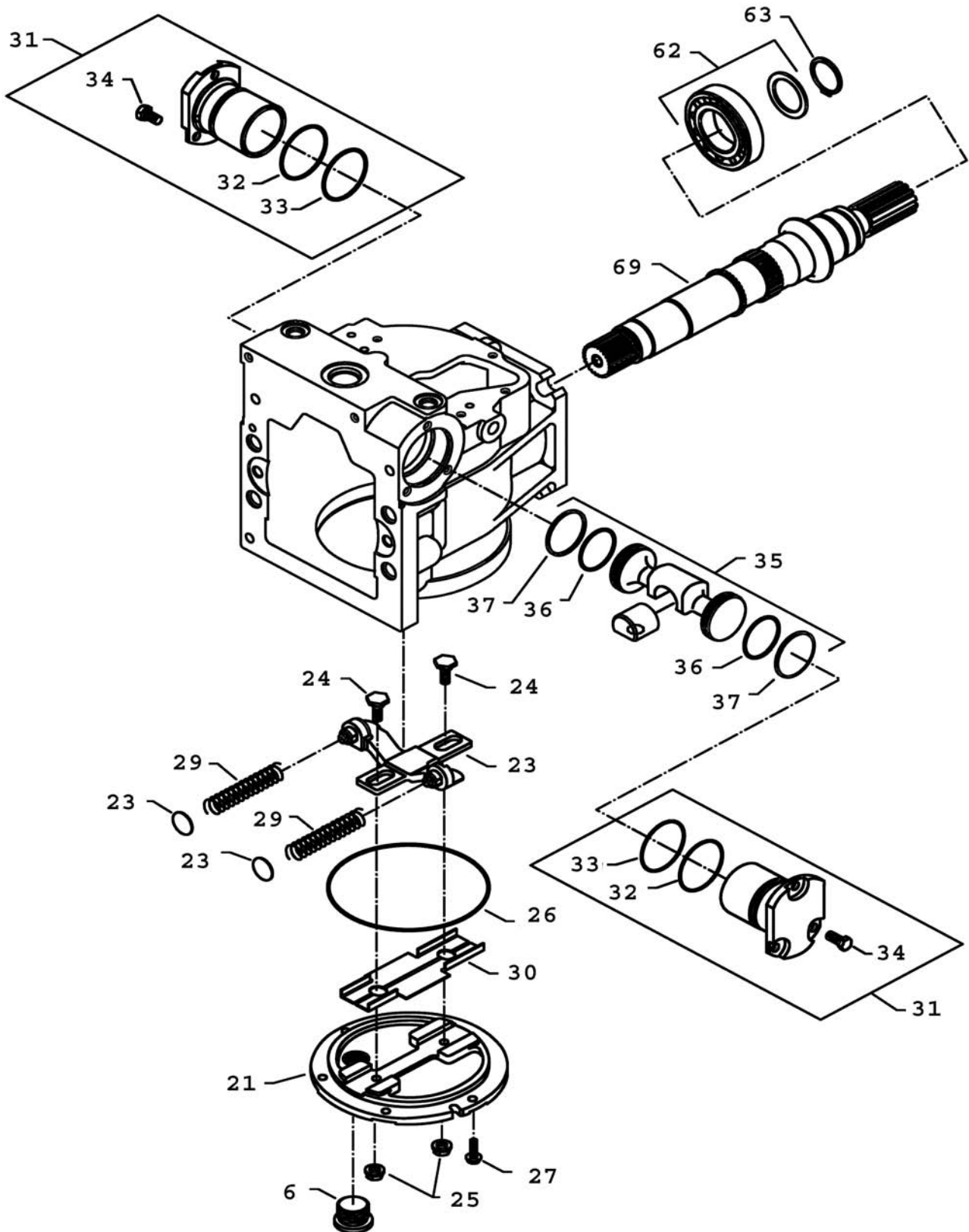
ITEM	PART #	QTY	DESCRIPTION	COMMENTS
REF	AG137568	1	KIT/GASKET SEAL OVERHAUL	
1	71374958	1	VARIABLE HOUSING	
2	71374872	1	BEARING ASM	
3	71355340	2	PIN	
4	700725864	13	PLUG	
5	71374873	1	PLUG	
6	1077605M1	1	PLUG	
7	71355339	3	FILTER/CONTROL SCREEN	
9	71374876	1	SWASHPLATE/VARIABLE ASM	
10	71374877	1	SERVO/ARM ASM	
11	71374879	1	SWASHPLATE/VARIABLE	
12	71374880	1	SCREW	
13	71374881	1	SWASHPLATE/GUIDE	
14	71374882	1	SCREW	
15	71374883	1	WASHER	
16	71374884	1	PIN/SPIRAL	
17	71374875	1	CAGE/LOCATER LINK	
18	AG137544	1	LINK/FEEDBACK	
19	AG137545	1	PIN	
20	71374886	1	SPRING	
21	71374960	1	COVER/SIDE	
22	AG137546	1	LEVELER ASM	
23	71396130	2	SHIM	
24	AG137547	2	GUIDE POST	
25	1077627M1	2	NUT	
26	1077628M1	1	O-RING	
27	71374890	6	SCREW	
29	71374891	2	SPRING	
30	AG137548	1	COVER/SIDE INSERT ASM	
31	71374901	2	KIT/SERVO CYLINDER	
32	1077636M1	2	O-RING	
33	1077637M1	2	O-RING	
34	1077638M1	6	SCREW	
35	71396133	1	KIT/SERVO PISTON	
36	1077633M1	2	O-RING	
37	71358545	2	PISTON RING	
38	1077635M1	1	BLOCK/SLIDER	
39	71374893	1	CAP/END ASM,TWIN PORTS	
40	71374834	1	BEARING/JOURNAL	
41	71374898	1	CAP/END GASKET	
42	71374894	1	BUSHING	
43	71374900	2	SCREW	
44	71374895	1	BRACKET SPACER/LIFTING	
45	71374896	1	BRACKET/LIFTING	
46	71374897	1	WASHER	
47	AG137549	1	PUMP/CHARGE SET	
48	AG137550	1	PIN	
49	AG137551	1	SHAFT/CHARGE PUMP	
50	1077656M1	1	KEY	
51	71774840	1	SCREW	
52	AG425745	1	COUPLING	
53	AG425746	1	COVER/CHARGE PUMP	
54	AG134396	1	O-RING,C-PAD,SAUER TANDEM	
55	AG137554	1	FLANGE/ADAPTER	
56	AG137555	4	SCREW/SOCKET HEAD	
57	AG137556	1	SEAL/B PAD	
58	AG137557	1	COVER/FLANGE	
59	AG137558	2	SCREW	
60	AG425744	1	VALVE/CHRG REL KIT	
61	70928486	1	O-RING	



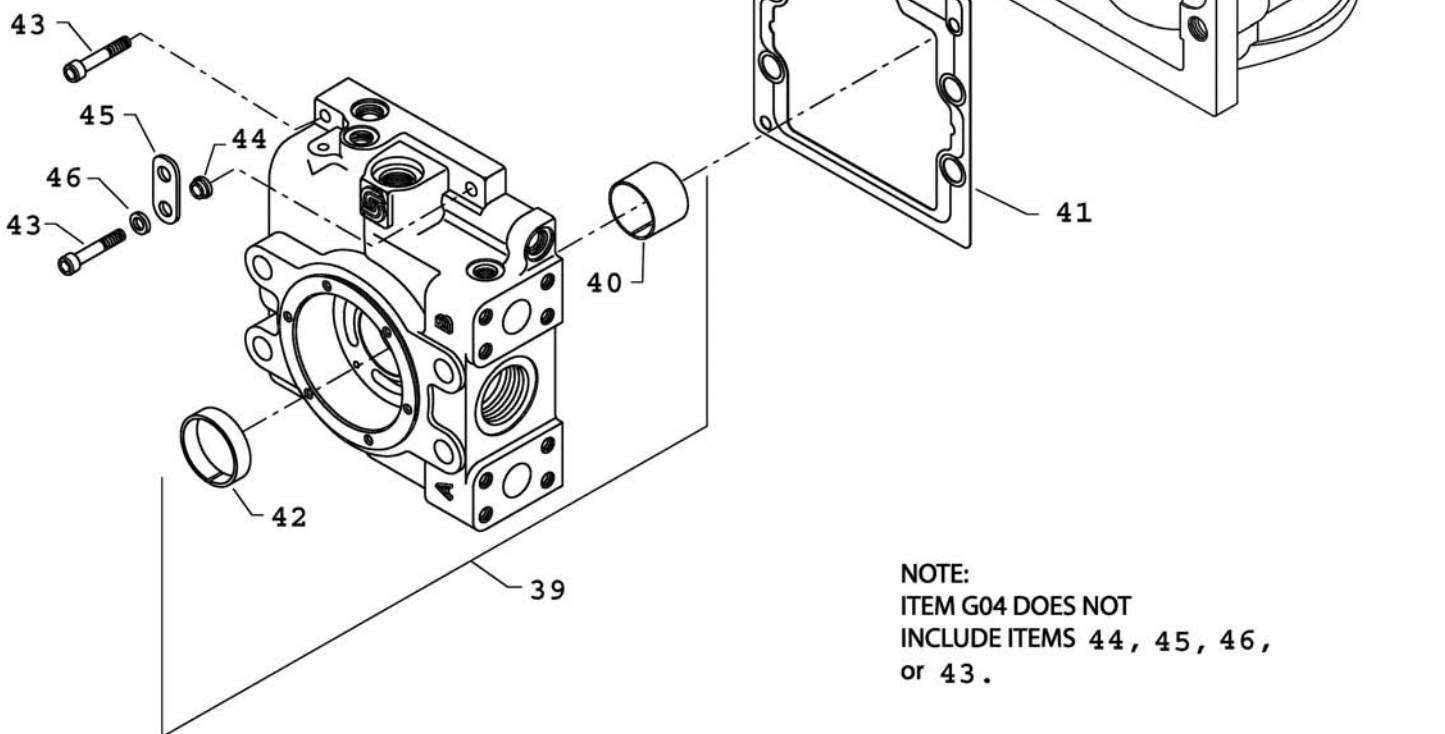
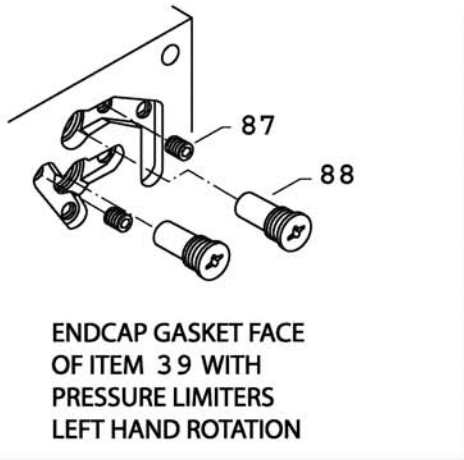
ITEM	PART #	QTY	DESCRIPTION	COMMENTS
62	71374952	1	BEARING/ROLLER	
63	1077664M1	1	RING/RETAINING	
64	AG133278	1	KIT-SEAL,FRONT,SAUER	
65	1077666M1	1	SEAL/LIP	
66	70937632	1	O-RING	
67	71374839	1	PLATE/RETAINING	
68	71374840	1	SCREW/METRIC	
70	AG137559	1	KIT/MDC NEUTRAL SWITCH	
71	AG137560	1	GASKET/CONTROL	
72	AG137561	1	HANDLE/SHAFT CONTROL	
73	71374866	1	WASHER/TOOTHLOCK	
74	71374867	1	NUT	
75	1077673M1	6	SCREW	
76	AG137562	1	KIT/NEUTRAL START SWITCH	
82	AG727297	2	O-RING	
83	AG133231	1	ELEMENT-FILTER,OIL,SAUER PUMP	
84	AG722601	1	VALVE-MULTI-FUNCTIONAL	
85	AG137565	1	O-RING	
85	AG137566	1	SCREW	
86	1077682M1	1	O-RING	
87	71374870	1	VALVE/CHECK	
88	1077684M1	1	PLUG/PIPE	
89	71396140	1	KIT/CYLINDER BLOCK	
90	71374842	1	CYLINDER/BLOCK ASM	
91	71374844	1	SPRING	
92	71374843	1	SPRING/SEAT	
93	71374845	1	SPRING/RETAINER	
94	1077611M1	1	RING/RETAINING	
95	71374846	9	PISTON/WELDED ASM	
96	71374847	1	GUIDE/SLIPPER	
97	71374904	2	BEARING/SLIPPER GUIDE	
98	71396141	4	SPACER	
100	AG137567	1	KIT/ORIFCE CONTROL .040	
101	71374908	1	SPRING	
102	71374909	1	SPRING/RETAINER	
103	AG137570	4	WASHER	
104	AG137569	4	SCREW	
105	AG714257	1	O RING,4.00 ID X.09W,B-PAD	[A]
	FOOTNOTE [A]		BIG O-RING USED ON EATON CHARGE PUMP, BLACK IN COLOR 4 DIA.	



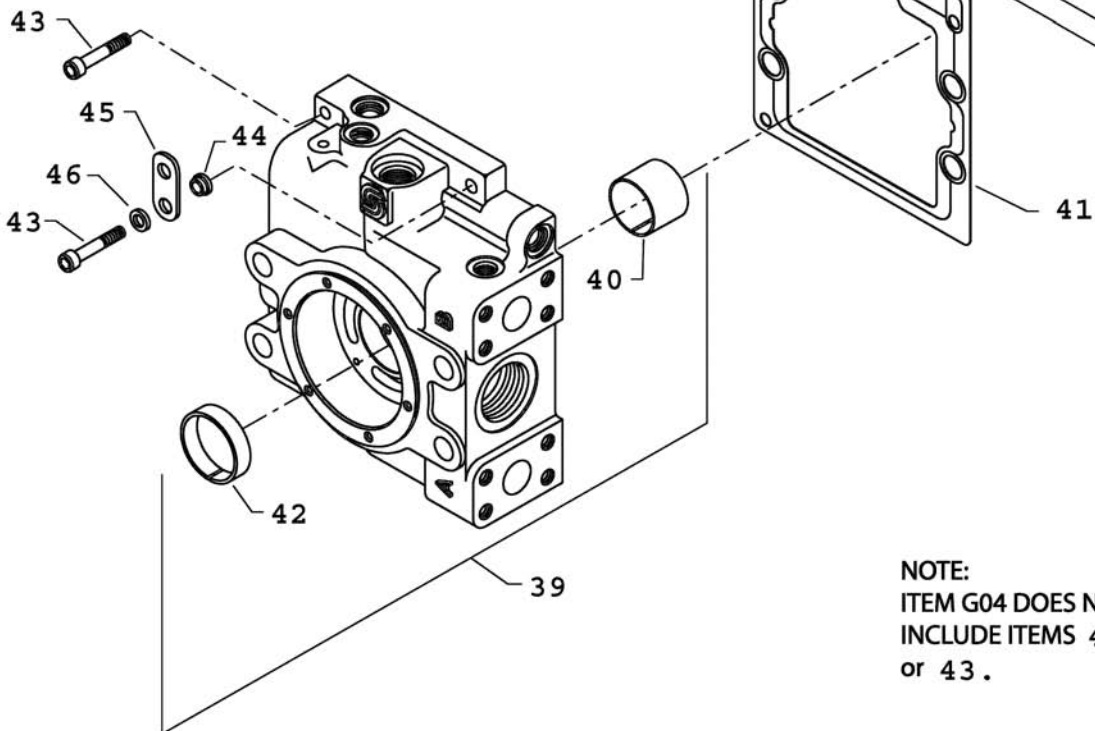
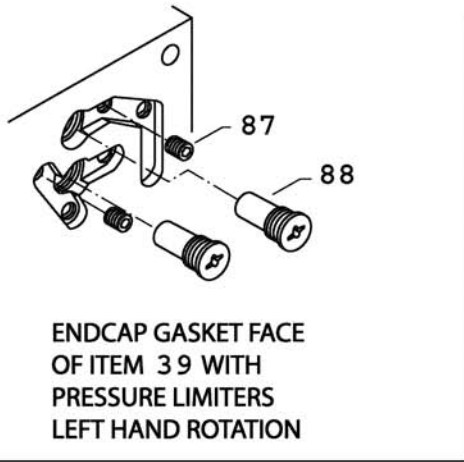
ITEM	PART #	QTY	DESCRIPTION	COMMENTS
REF	AG137568	1	KIT/GASKET SEAL OVERHAUL	
1	71374958	1	VARIABLE HOUSING	
2	71374872	1	BEARING ASM	
3	71355340	2	PIN	
4	700725864	13	PLUG	
5	71374873	1	PLUG	
6	1077605M1	1	PLUG	
7	71355339	3	FILTER/CONTROL SCREEN	
9	71374876	1	SWASHPLATE/VARIABLE ASM	
10	71374877	1	SERVO/ARM ASM	
11	71374879	1	SWASHPLATE/VARIABLE	
12	71374880	1	SCREW	
13	71374881	1	SWASHPLATE/GUIDE	
14	71374882	1	SCREW	
15	71374883	1	WASHER	
16	71374884	1	PIN/SPIRAL	
17	71374875	1	CAGE/LOCATER LINK	
18	AG137544	1	LINK/FEEDBACK	
19	AG137545	1	PIN	
20	71374886	1	SPRING	
21	71374960	1	COVER/SIDE	
22	AG137546	1	LEVELER ASM	
23	71396130	2	SHIM	
24	AG137547	2	GUIDE POST	
25	1077627M1	2	NUT	
26	1077628M1	1	O-RING	
27	71374890	6	SCREW	
29	71374891	2	SPRING	
30	AG137548	1	COVER/SIDE INSERT ASM	
31	71374901	2	KIT/SERVO CYLINDER	
32	1077636M1	2	O-RING	
33	1077637M1	2	O-RING	
34	1077638M1	6	SCREW	
35	71396133	1	KIT/SERVO PISTON	
36	1077633M1	2	O-RING	
37	71358545	2	PISTON RING	
38	1077635M1	1	BLOCK/SLIDER	
39	71374893	1	CAP/END ASM,TWIN PORTS	
40	71374834	1	BEARING/JOURNAL	
41	71374898	1	CAP/END GASKET	
42	71374894	1	BUSHING	
43	71374900	2	SCREW	
44	71374895	1	BRACKET SPACER/LIFTING	
45	71374896	1	BRACKET/LIFTING	
46	71374897	1	WASHER	
47	AG137549	1	PUMP/CHARGE SET	
48	AG137550	1	PIN	
49	AG137551	1	SHAFT/CHARGE PUMP	
50	1077656M1	1	KEY	
51	71774840	1	SCREW	
52	AG425745	1	COUPLING	
53	AG425746	1	COVER/CHARGE PUMP	
54	AG134396	1	O-RING,C-PAD,SAUER TANDEM	
55	AG137554	1	FLANGE/ADAPTER	
56	AG137555	4	SCREW/SOCKET HEAD	
57	AG137556	1	SEAL/B PAD	
58	AG137557	1	COVER/FLANGE	
59	AG137558	2	SCREW	
60	AG425744	1	VALVE/CHRG REL KIT	
61	70928486	1	O-RING	



ITEM	PART #	QTY	DESCRIPTION	COMMENTS
62	71374952	1	BEARING/ROLLER	
63	1077664M1	1	RING/RETAINING	
64	AG133278	1	KIT-SEAL,FRONT,SAUER	
65	1077666M1	1	SEAL/LIP	
66	70937632	1	O-RING	
67	71374839	1	PLATE/RETAINING	
68	71374840	1	SCREW/METRIC	
70	AG137559	1	KIT/MDC NEUTRAL SWITCH	
71	AG137560	1	GASKET/CONTROL	
72	AG137561	1	HANDLE/SHAFT CONTROL	
73	71374866	1	WASHER/TOOTHLOCK	
74	71374867	1	NUT	
75	1077673M1	6	SCREW	
76	AG137562	1	KIT/NEUTRAL START SWITCH	
82	AG727297	2	O-RING	
83	AG133231	1	ELEMENT-FILTER,OIL,SAUER PUMP	
84	AG722601	1	VALVE-MULTI-FUNCTIONAL	
85	AG137565	1	O-RING	
85	AG137566	1	SCREW	
86	1077682M1	1	O-RING	
87	71374870	1	VALVE/CHECK	
88	1077684M1	1	PLUG/PIPE	
89	71396140	1	KIT/CYLINDER BLOCK	
90	71374842	1	CYLINDER/BLOCK ASM	
91	71374844	1	SPRING	
92	71374843	1	SPRING/SEAT	
93	71374845	1	SPRING/RETAINER	
94	1077611M1	1	RING/RETAINING	
95	71374846	9	PISTON/WELDED ASM	
96	71374847	1	GUIDE/SLIPPER	
97	71374904	2	BEARING/SLIPPER GUIDE	
98	71396141	4	SPACER	
100	AG137567	1	KIT/ORIFCE CONTROL .040	
101	71374908	1	SPRING	
102	71374909	1	SPRING/RETAINER	
103	AG137570	4	WASHER	
104	AG137569	4	SCREW	
105	AG714257	1	O RING,4.00 ID X.09W,B-PAD	[A]
	FOOTNOTE [A]		BIG O-RING USED ON EATON CHARGE PUMP, BLACK IN COLOR 4 DIA.	

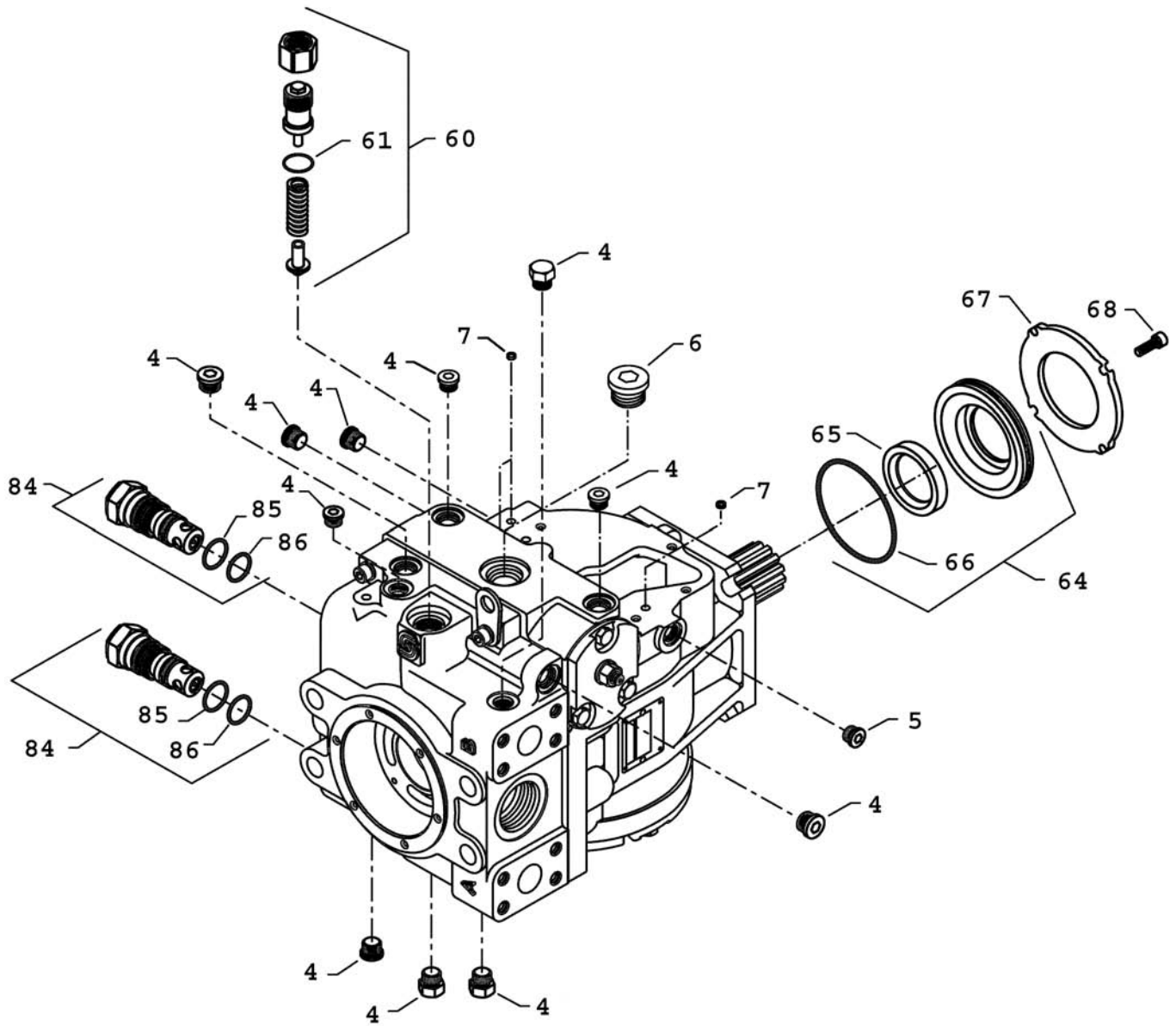


ITEM	PART #	QTY	DESCRIPTION	COMMENTS
REF	AG137568	1	KIT/GASKET SEAL OVERHAUL	
1	71374958	1	VARIABLE HOUSING	
2	71374872	1	BEARING ASM	
3	71355340	2	PIN	
4	700725864	13	PLUG	
5	71374873	1	PLUG	
6	1077605M1	1	PLUG	
7	71355339	3	FILTER/CONTROL SCREEN	
9	71374876	1	SWASHPLATE/VARIABLE ASM	
10	71374877	1	SERVO/ARM ASM	
11	71374879	1	SWASHPLATE/VARIABLE	
12	71374880	1	SCREW	
13	71374881	1	SWASHPLATE/GUIDE	
14	71374882	1	SCREW	
15	71374883	1	WASHER	
16	71374884	1	PIN/SPIRAL	
17	71374875	1	CAGE/LOCATER LINK	
18	AG137544	1	LINK/FEEDBACK	
19	AG137545	1	PIN	
20	71374886	1	SPRING	
21	71374960	1	COVER/SIDE	
22	AG137546	1	LEVELER ASM	
23	71396130	2	SHIM	
24	AG137547	2	GUIDE POST	
25	1077627M1	2	NUT	
26	1077628M1	1	O-RING	
27	71374890	6	SCREW	
29	71374891	2	SPRING	
30	AG137548	1	COVER/SIDE INSERT ASM	
31	71374901	2	KIT/SERVO CYLINDER	
32	1077636M1	2	O-RING	
33	1077637M1	2	O-RING	
34	1077638M1	6	SCREW	
35	71396133	1	KIT/SERVO PISTON	
36	1077633M1	2	O-RING	
37	71358545	2	PISTON RING	
38	1077635M1	1	BLOCK/SLIDER	
39	71374893	1	CAP/END ASM,TWIN PORTS	
40	71374834	1	BEARING/JOURNAL	
41	71374898	1	CAP/END GASKET	
42	71374894	1	BUSHING	
43	71374900	2	SCREW	
44	71374895	1	BRACKET SPACER/LIFTING	
45	71374896	1	BRACKET/LIFTING	
46	71374897	1	WASHER	
47	AG137549	1	PUMP/CHARGE SET	
48	AG137550	1	PIN	
49	AG137551	1	SHAFT/CHARGE PUMP	
50	1077656M1	1	KEY	
51	71774840	1	SCREW	
52	AG425745	1	COUPLING	
53	AG425746	1	COVER/CHARGE PUMP	
54	AG134396	1	O-RING,C-PAD,SAUER TANDEM	
55	AG137554	1	FLANGE/ADAPTER	
56	AG137555	4	SCREW/SOCKET HEAD	
57	AG137556	1	SEAL/B PAD	
58	AG137557	1	COVER/FLANGE	
59	AG137558	2	SCREW	
60	AG425744	1	VALVE/CHRG REL KIT	
61	70928486	1	O-RING	

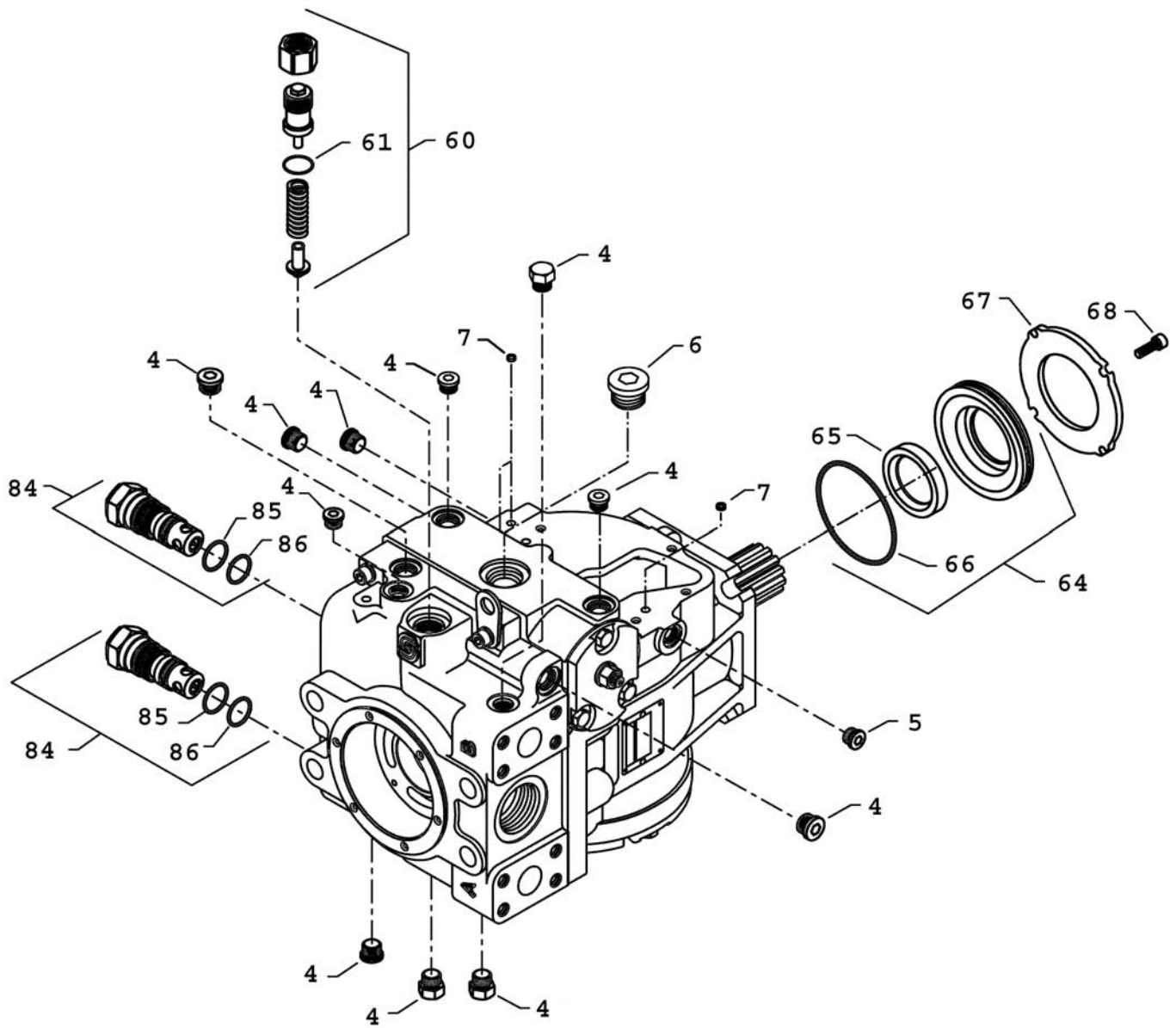


NOTE:
ITEM G04 DOES NOT
INCLUDE ITEMS 44, 45, 46,
or 43.

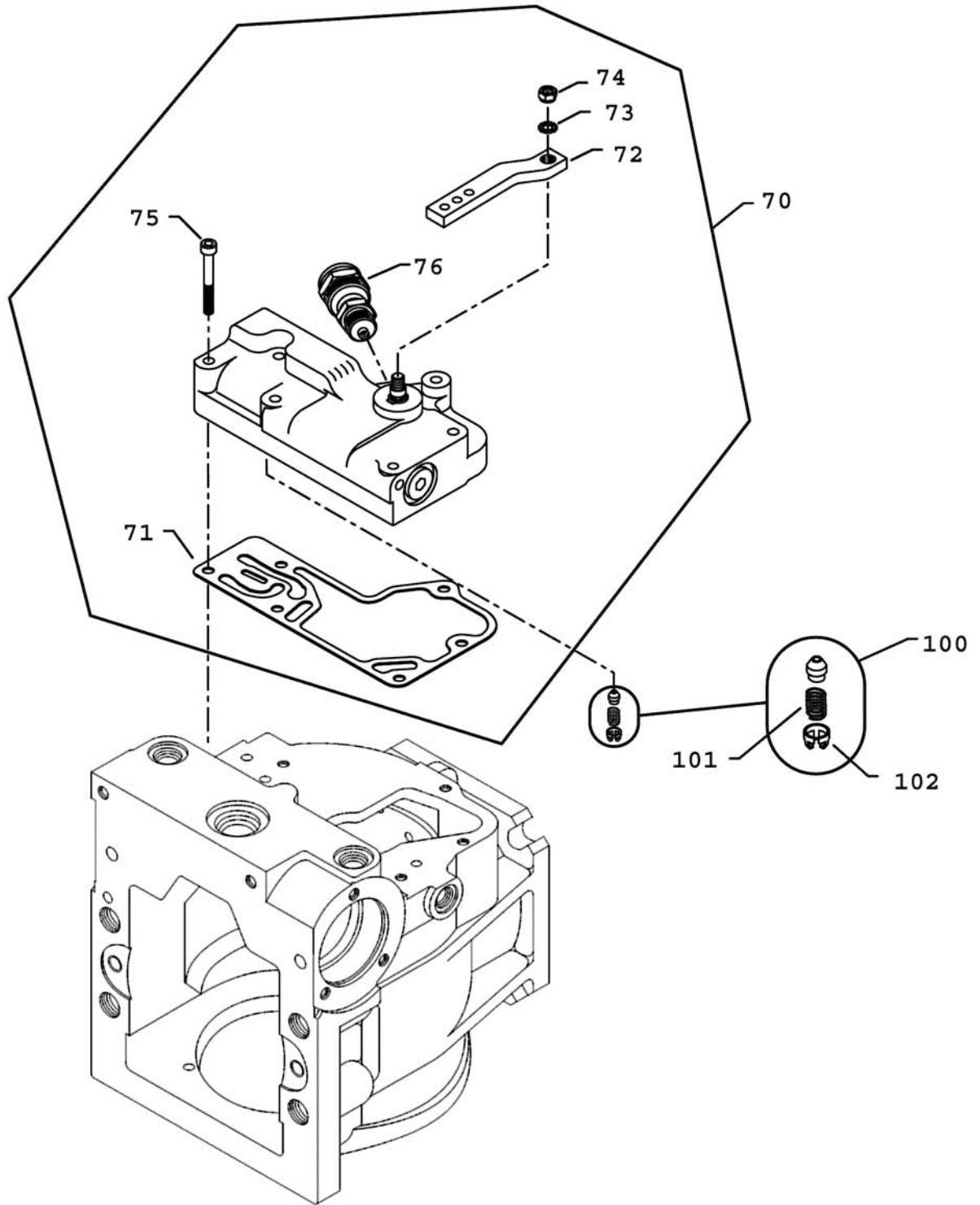
ITEM	PART #	QTY	DESCRIPTION	COMMENTS
62	71374952	1	BEARING/ROLLER	
63	1077664M1	1	RING/RETAINING	
64	AG133278	1	KIT-SEAL,FRONT,SAUER	
65	1077666M1	1	SEAL/LIP	
66	70937632	1	O-RING	
67	71374839	1	PLATE/RETAINING	
68	71374840	1	SCREW/METRIC	
70	AG137559	1	KIT/MDC NEUTRAL SWITCH	
71	AG137560	1	GASKET/CONTROL	
72	AG137561	1	HANDLE/SHAFT CONTROL	
73	71374866	1	WASHER/TOOTHLOCK	
74	71374867	1	NUT	
75	1077673M1	6	SCREW	
76	AG137562	1	KIT/NEUTRAL START SWITCH	
82	AG727297	2	O-RING	
83	AG133231	1	ELEMENT-FILTER,OIL,SAUER PUMP	
84	AG722601	1	VALVE-MULTI-FUNCTIONAL	
85	AG137565	1	O-RING	
85	AG137566	1	SCREW	
86	1077682M1	1	O-RING	
87	71374870	1	VALVE/CHECK	
88	1077684M1	1	PLUG/PIPE	
89	71396140	1	KIT/CYLINDER BLOCK	
90	71374842	1	CYLINDER/BLOCK ASM	
91	71374844	1	SPRING	
92	71374843	1	SPRING/SEAT	
93	71374845	1	SPRING/RETAINER	
94	1077611M1	1	RING/RETAINING	
95	71374846	9	PISTON/WELDED ASM	
96	71374847	1	GUIDE/SLIPPER	
97	71374904	2	BEARING/SLIPPER GUIDE	
98	71396141	4	SPACER	
100	AG137567	1	KIT/ORIFCE CONTROL .040	
101	71374908	1	SPRING	
102	71374909	1	SPRING/RETAINER	
103	AG137570	4	WASHER	
104	AG137569	4	SCREW	
105	AG714257	1	O RING,4.00 ID X.09W,B-PAD	[A]
	FOOTNOTE [A]		BIG O-RING USED ON EATON CHARGE PUMP, BLACK IN COLOR 4 DIA.	



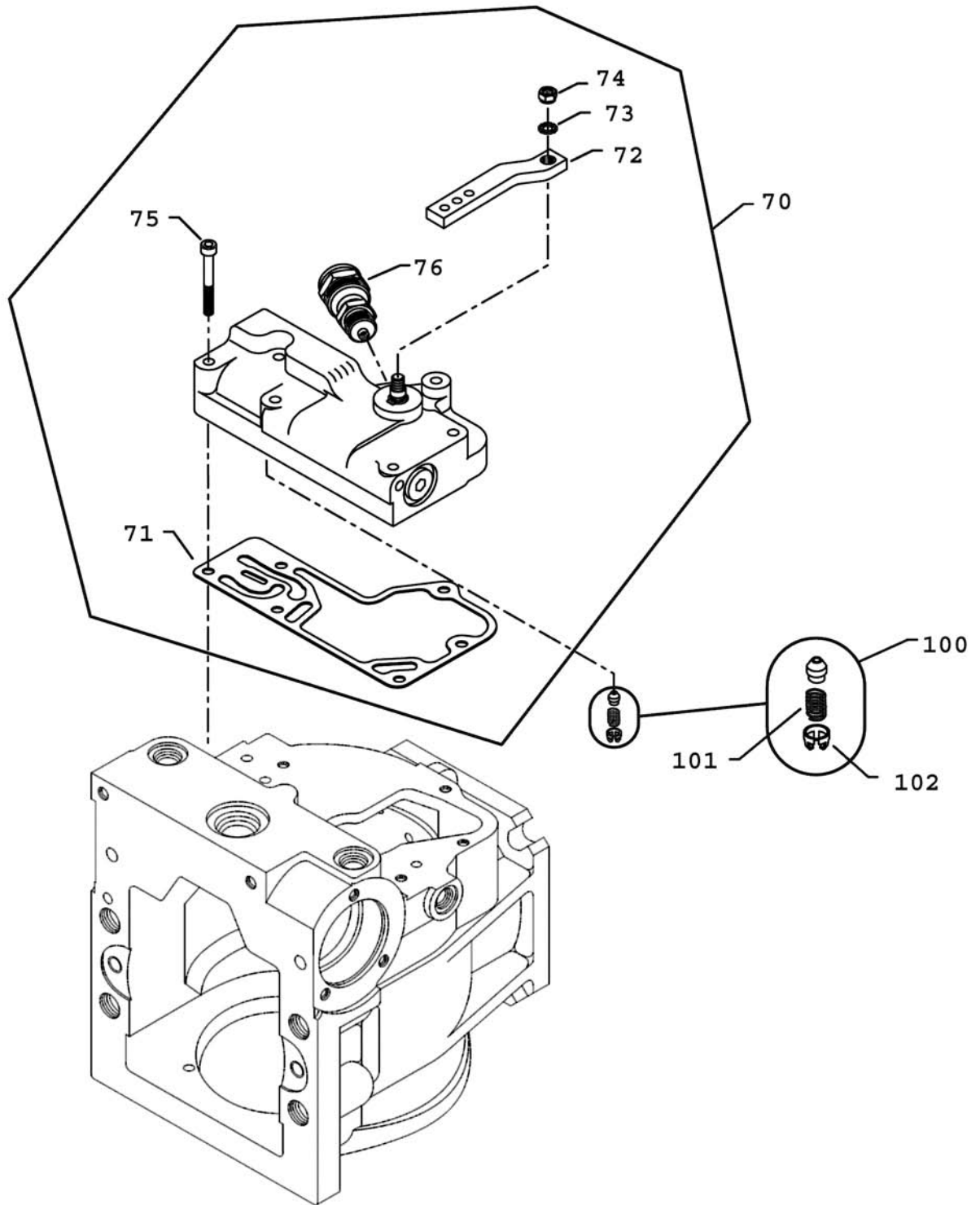
ITEM	PART #	QTY	DESCRIPTION	COMMENTS
REF	AG137568	1	KIT/GASKET SEAL OVERHAUL	
1	71374958	1	VARIABLE HOUSING	
2	71374872	1	BEARING ASM	
3	71355340	2	PIN	
4	700725864	13	PLUG	
5	71374873	1	PLUG	
6	1077605M1	1	PLUG	
7	71355339	3	FILTER/CONTROL SCREEN	
9	71374876	1	SWASHPLATE/VARIABLE ASM	
10	71374877	1	SERVO/ARM ASM	
11	71374879	1	SWASHPLATE/VARIABLE	
12	71374880	1	SCREW	
13	71374881	1	SWASHPLATE/GUIDE	
14	71374882	1	SCREW	
15	71374883	1	WASHER	
16	71374884	1	PIN/SPIRAL	
17	71374875	1	CAGE/LOCATER LINK	
18	AG137544	1	LINK/FEEDBACK	
19	AG137545	1	PIN	
20	71374886	1	SPRING	
21	71374960	1	COVER/SIDE	
22	AG137546	1	LEVELER ASM	
23	71396130	2	SHIM	
24	AG137547	2	GUIDE POST	
25	1077627M1	2	NUT	
26	1077628M1	1	O-RING	
27	71374890	6	SCREW	
29	71374891	2	SPRING	
30	AG137548	1	COVER/SIDE INSERT ASM	
31	71374901	2	KIT/SERVO CYLINDER	
32	1077636M1	2	O-RING	
33	1077637M1	2	O-RING	
34	1077638M1	6	SCREW	
35	71396133	1	KIT/SERVO PISTON	
36	1077633M1	2	O-RING	
37	71358545	2	PISTON RING	
38	1077635M1	1	BLOCK/SLIDER	
39	71374893	1	CAP/END ASM,TWIN PORTS	
40	71374834	1	BEARING/JOURNAL	
41	71374898	1	CAP/END GASKET	
42	71374894	1	BUSHING	
43	71374900	2	SCREW	
44	71374895	1	BRACKET SPACER/LIFTING	
45	71374896	1	BRACKET/LIFTING	
46	71374897	1	WASHER	
47	AG137549	1	PUMP/CHARGE SET	
48	AG137550	1	PIN	
49	AG137551	1	SHAFT/CHARGE PUMP	
50	1077656M1	1	KEY	
51	71774840	1	SCREW	
52	AG425745	1	COUPLING	
53	AG425746	1	COVER/CHARGE PUMP	
54	AG134396	1	O-RING,C-PAD,SAUER TANDEM	
55	AG137554	1	FLANGE/ADAPTER	
56	AG137555	4	SCREW/SOCKET HEAD	
57	AG137556	1	SEAL/B PAD	
58	AG137557	1	COVER/FLANGE	
59	AG137558	2	SCREW	
60	AG425744	1	VALVE/CHRG REL KIT	
61	70928486	1	O-RING	



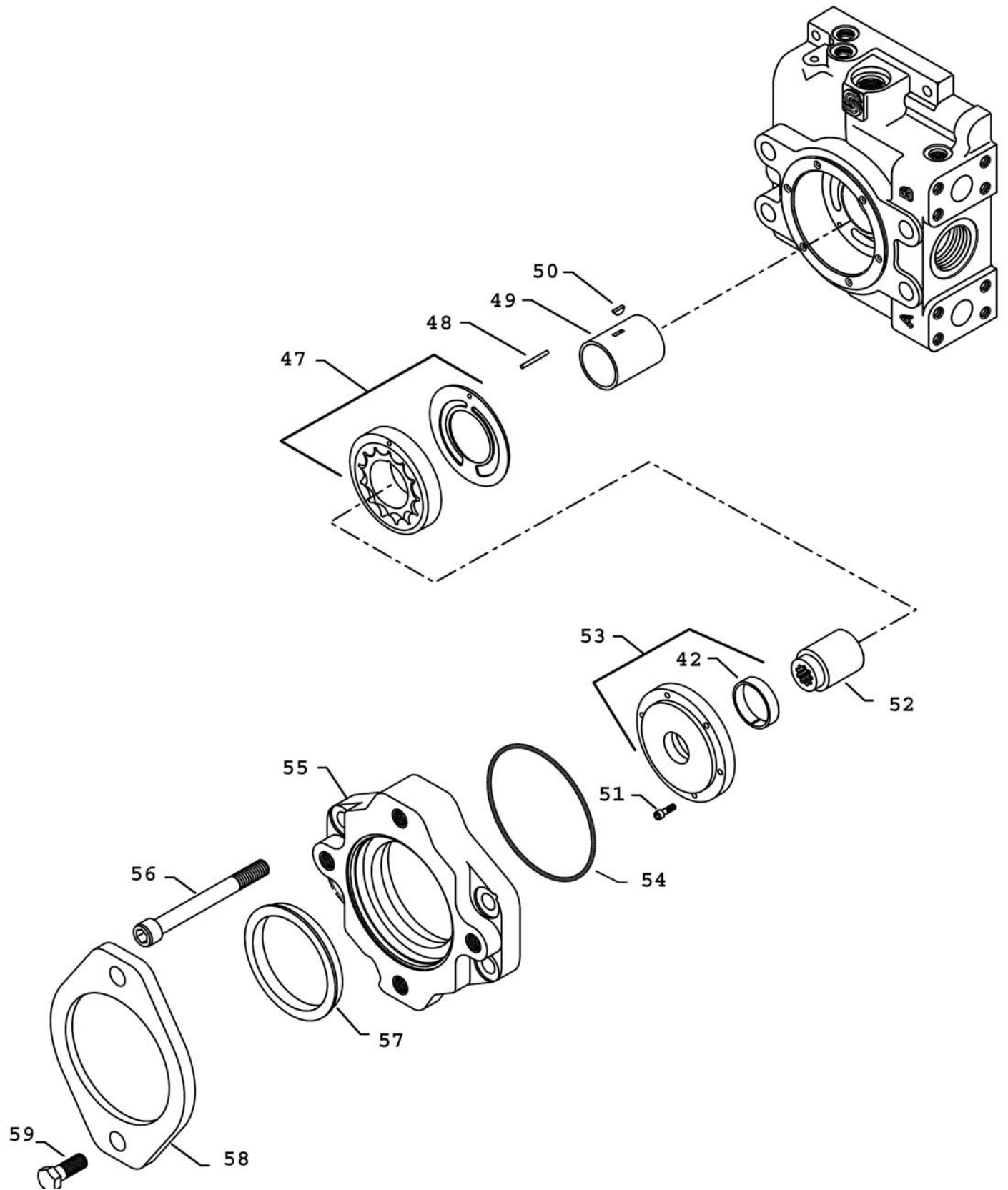
ITEM	PART #	QTY	DESCRIPTION	COMMENTS
62	71374952	1	BEARING/ROLLER	
63	1077664M1	1	RING/RETAINING	
64	AG133278	1	KIT-SEAL,FRONT,SAUER	
65	1077666M1	1	SEAL/LIP	
66	70937632	1	O-RING	
67	71374839	1	PLATE/RETAINING	
68	71374840	1	SCREW/METRIC	
70	AG137559	1	KIT/MDC NEUTRAL SWITCH	
71	AG137560	1	GASKET/CONTROL	
72	AG137561	1	HANDLE/SHAFT CONTROL	
73	71374866	1	WASHER/TOOTHLOCK	
74	71374867	1	NUT	
75	1077673M1	6	SCREW	
76	AG137562	1	KIT/NEUTRAL START SWITCH	
82	AG727297	2	O-RING	
83	AG133231	1	ELEMENT-FILTER,OIL,SAUER PUMP	
84	AG722601	1	VALVE-MULTI-FUNCTIONAL	
85	AG137565	1	O-RING	
85	AG137566	1	SCREW	
86	1077682M1	1	O-RING	
87	71374870	1	VALVE/CHECK	
88	1077684M1	1	PLUG/PIPE	
89	71396140	1	KIT/CYLINDER BLOCK	
90	71374842	1	CYLINDER/BLOCK ASM	
91	71374844	1	SPRING	
92	71374843	1	SPRING/SEAT	
93	71374845	1	SPRING/RETAINER	
94	1077611M1	1	RING/RETAINING	
95	71374846	9	PISTON/WELDED ASM	
96	71374847	1	GUIDE/SLIPPER	
97	71374904	2	BEARING/SLIPPER GUIDE	
98	71396141	4	SPACER	
100	AG137567	1	KIT/ORIFCE CONTROL .040	
101	71374908	1	SPRING	
102	71374909	1	SPRING/RETAINER	
103	AG137570	4	WASHER	
104	AG137569	4	SCREW	
105	AG714257	1	O RING,4.00 ID X.09W,B-PAD	[A]
	FOOTNOTE [A]		BIG O-RING USED ON EATON CHARGE PUMP, BLACK IN COLOR 4 DIA.	



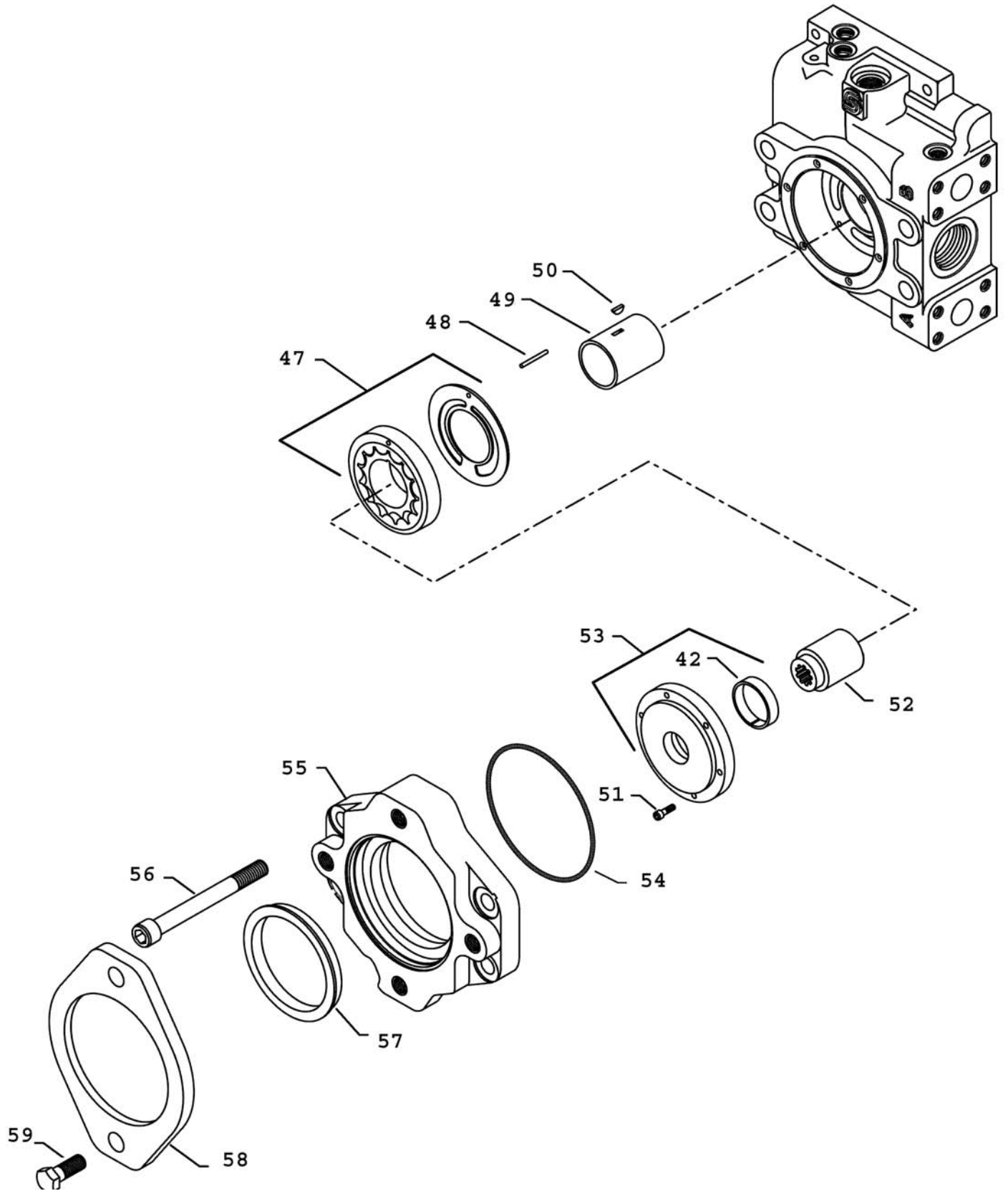
ITEM	PART #	QTY	DESCRIPTION	COMMENTS
REF	AG137568	1	KIT/GASKET SEAL OVERHAUL	
1	71374958	1	VARIABLE HOUSING	
2	71374872	1	BEARING ASM	
3	71355340	2	PIN	
4	700725864	13	PLUG	
5	71374873	1	PLUG	
6	1077605M1	1	PLUG	
7	71355339	3	FILTER/CONTROL SCREEN	
9	71374876	1	SWASHPLATE/VARIABLE ASM	
10	71374877	1	SERVO/ARM ASM	
11	71374879	1	SWASHPLATE/VARIABLE	
12	71374880	1	SCREW	
13	71374881	1	SWASHPLATE/GUIDE	
14	71374882	1	SCREW	
15	71374883	1	WASHER	
16	71374884	1	PIN/SPIRAL	
17	71374875	1	CAGE/LOCATER LINK	
18	AG137544	1	LINK/FEEDBACK	
19	AG137545	1	PIN	
20	71374886	1	SPRING	
21	71374960	1	COVER/SIDE	
22	AG137546	1	LEVELER ASM	
23	71396130	2	SHIM	
24	AG137547	2	GUIDE POST	
25	1077627M1	2	NUT	
26	1077628M1	1	O-RING	
27	71374890	6	SCREW	
29	71374891	2	SPRING	
30	AG137548	1	COVER/SIDE INSERT ASM	
31	71374901	2	KIT/SERVO CYLINDER	
32	1077636M1	2	O-RING	
33	1077637M1	2	O-RING	
34	1077638M1	6	SCREW	
35	71396133	1	KIT/SERVO PISTON	
36	1077633M1	2	O-RING	
37	71358545	2	PISTON RING	
38	1077635M1	1	BLOCK/SLIDER	
39	71374893	1	CAP/END ASM,TWIN PORTS	
40	71374834	1	BEARING/JOURNAL	
41	71374898	1	CAP/END GASKET	
42	71374894	1	BUSHING	
43	71374900	2	SCREW	
44	71374895	1	BRACKET SPACER/LIFTING	
45	71374896	1	BRACKET/LIFTING	
46	71374897	1	WASHER	
47	AG137549	1	PUMP/CHARGE SET	
48	AG137550	1	PIN	
49	AG137551	1	SHAFT/CHARGE PUMP	
50	1077656M1	1	KEY	
51	71774840	1	SCREW	
52	AG425745	1	COUPLING	
53	AG425746	1	COVER/CHARGE PUMP	
54	AG134396	1	O-RING,C-PAD,SAUER TANDEM	
55	AG137554	1	FLANGE/ADAPTER	
56	AG137555	4	SCREW/SOCKET HEAD	
57	AG137556	1	SEAL/B PAD	
58	AG137557	1	COVER/FLANGE	
59	AG137558	2	SCREW	
60	AG425744	1	VALVE/CHRG REL KIT	
61	70928486	1	O-RING	



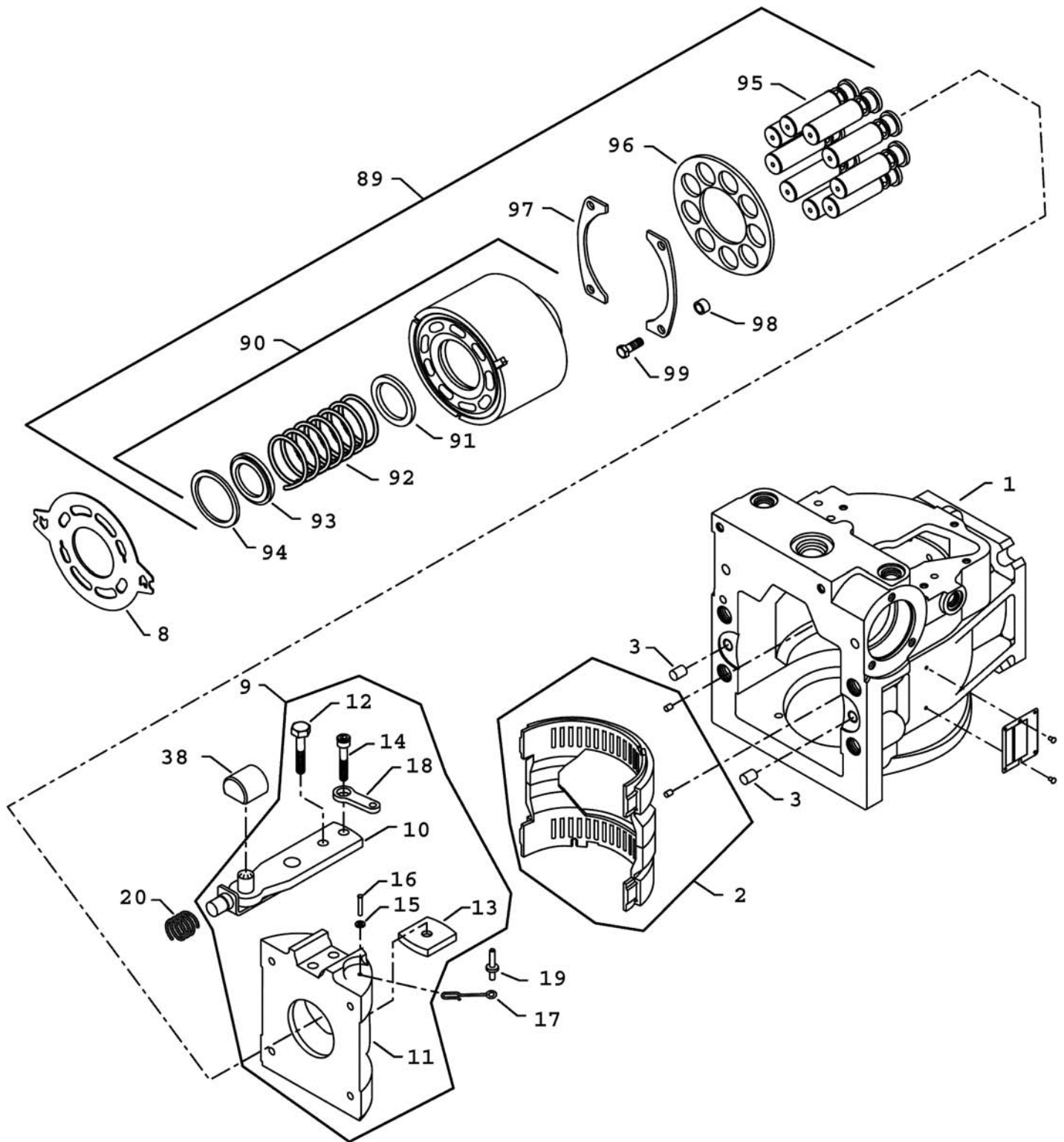
ITEM	PART #	QTY	DESCRIPTION	COMMENTS
62	71374952	1	BEARING/ROLLER	
63	1077664M1	1	RING/RETAINING	
64	AG133278	1	KIT-SEAL,FRONT,SAUER	
65	1077666M1	1	SEAL/LIP	
66	70937632	1	O-RING	
67	71374839	1	PLATE/RETAINING	
68	71374840	1	SCREW/METRIC	
70	AG137559	1	KIT/MDC NEUTRAL SWITCH	
71	AG137560	1	GASKET/CONTROL	
72	AG137561	1	HANDLE/SHAFT CONTROL	
73	71374866	1	WASHER/TOOTHLOCK	
74	71374867	1	NUT	
75	1077673M1	6	SCREW	
76	AG137562	1	KIT/NEUTRAL START SWITCH	
82	AG727297	2	O-RING	
83	AG133231	1	ELEMENT-FILTER,OIL,SAUER PUMP	
84	AG722601	1	VALVE-MULTI-FUNCTIONAL	
85	AG137565	1	O-RING	
85	AG137566	1	SCREW	
86	1077682M1	1	O-RING	
87	71374870	1	VALVE/CHECK	
88	1077684M1	1	PLUG/PIPE	
89	71396140	1	KIT/CYLINDER BLOCK	
90	71374842	1	CYLINDER/BLOCK ASM	
91	71374844	1	SPRING	
92	71374843	1	SPRING/SEAT	
93	71374845	1	SPRING/RETAINER	
94	1077611M1	1	RING/RETAINING	
95	71374846	9	PISTON/WELDED ASM	
96	71374847	1	GUIDE/SLIPPER	
97	71374904	2	BEARING/SLIPPER GUIDE	
98	71396141	4	SPACER	
100	AG137567	1	KIT/ORIFCE CONTROL .040	
101	71374908	1	SPRING	
102	71374909	1	SPRING/RETAINER	
103	AG137570	4	WASHER	
104	AG137569	4	SCREW	
105	AG714257	1	O RING,4.00 ID X.09W,B-PAD	[A]
	FOOTNOTE [A]		BIG O-RING USED ON EATON CHARGE PUMP, BLACK IN COLOR 4 DIA.	



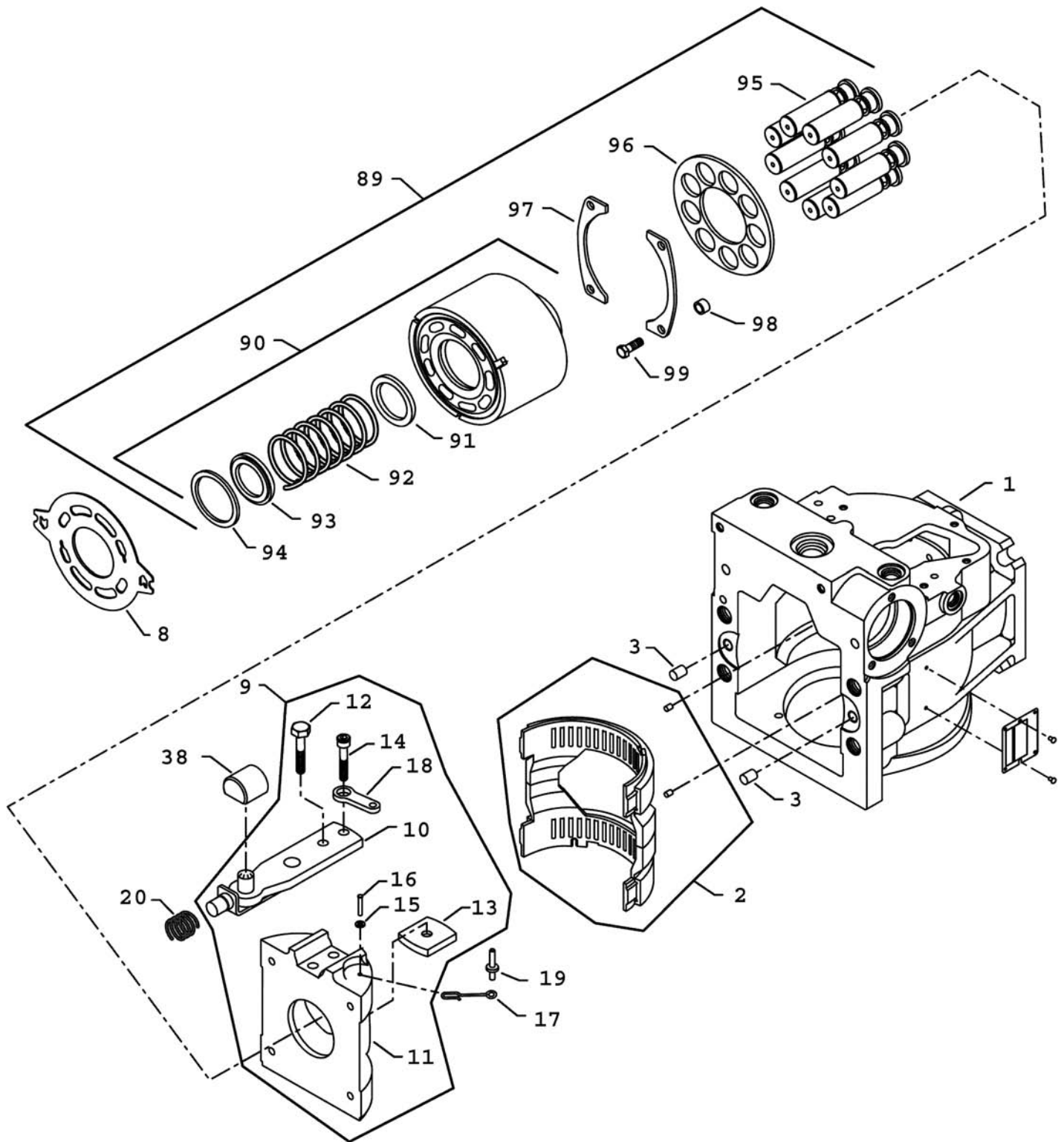
ITEM	PART #	QTY	DESCRIPTION	COMMENTS
REF	AG137568	1	KIT/GASKET SEAL OVERHAUL	
1	71374958	1	VARIABLE HOUSING	
2	71374872	1	BEARING ASM	
3	71355340	2	PIN	
4	700725864	13	PLUG	
5	71374873	1	PLUG	
6	1077605M1	1	PLUG	
7	71355339	3	FILTER/CONTROL SCREEN	
9	71374876	1	SWASHPLATE/VARIABLE ASM	
10	71374877	1	SERVO/ARM ASM	
11	71374879	1	SWASHPLATE/VARIABLE	
12	71374880	1	SCREW	
13	71374881	1	SWASHPLATE/GUIDE	
14	71374882	1	SCREW	
15	71374883	1	WASHER	
16	71374884	1	PIN/SPIRAL	
17	71374875	1	CAGE/LOCATER LINK	
18	AG137544	1	LINK/FEEDBACK	
19	AG137545	1	PIN	
20	71374886	1	SPRING	
21	71374960	1	COVER/SIDE	
22	AG137546	1	LEVELER ASM	
23	71396130	2	SHIM	
24	AG137547	2	GUIDE POST	
25	1077627M1	2	NUT	
26	1077628M1	1	O-RING	
27	71374890	6	SCREW	
29	71374891	2	SPRING	
30	AG137548	1	COVER/SIDE INSERT ASM	
31	71374901	2	KIT/SERVO CYLINDER	
32	1077636M1	2	O-RING	
33	1077637M1	2	O-RING	
34	1077638M1	6	SCREW	
35	71396133	1	KIT/SERVO PISTON	
36	1077633M1	2	O-RING	
37	71358545	2	PISTON RING	
38	1077635M1	1	BLOCK/SLIDER	
39	71374893	1	CAP/END ASM,TWIN PORTS	
40	71374834	1	BEARING/JOURNAL	
41	71374898	1	CAP/END GASKET	
42	71374894	1	BUSHING	
43	71374900	2	SCREW	
44	71374895	1	BRACKET SPACER/LIFTING	
45	71374896	1	BRACKET/LIFTING	
46	71374897	1	WASHER	
47	AG137549	1	PUMP/CHARGE SET	
48	AG137550	1	PIN	
49	AG137551	1	SHAFT/CHARGE PUMP	
50	1077656M1	1	KEY	
51	71774840	1	SCREW	
52	AG425745	1	COUPLING	
53	AG425746	1	COVER/CHARGE PUMP	
54	AG134396	1	O-RING,C-PAD,SAUER TANDEM	
55	AG137554	1	FLANGE/ADAPTER	
56	AG137555	4	SCREW/SOCKET HEAD	
57	AG137556	1	SEAL/B PAD	
58	AG137557	1	COVER/FLANGE	
59	AG137558	2	SCREW	
60	AG425744	1	VALVE/CHRG REL KIT	
61	70928486	1	O-RING	



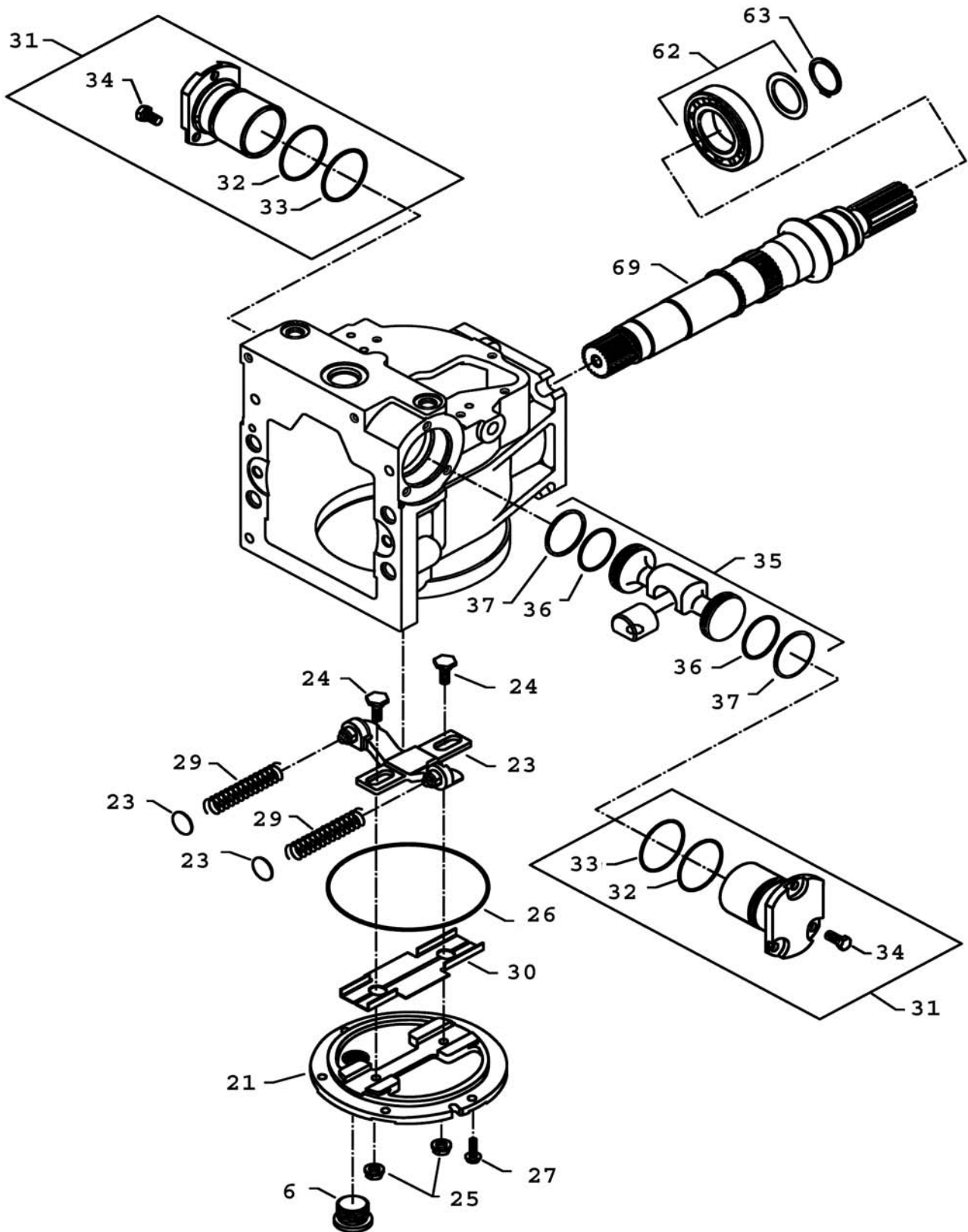
ITEM	PART #	QTY	DESCRIPTION	COMMENTS
62	71374952	1	BEARING/ROLLER	
63	1077664M1	1	RING/RETAINING	
64	AG133278	1	KIT-SEAL,FRONT,SAUER	
65	1077666M1	1	SEAL/LIP	
66	70937632	1	O-RING	
67	71374839	1	PLATE/RETAINING	
68	71374840	1	SCREW/METRIC	
70	AG137559	1	KIT/MDC NEUTRAL SWITCH	
71	AG137560	1	GASKET/CONTROL	
72	AG137561	1	HANDLE/SHAFT CONTROL	
73	71374866	1	WASHER/TOOTHLOCK	
74	71374867	1	NUT	
75	1077673M1	6	SCREW	
76	AG137562	1	KIT/NEUTRAL START SWITCH	
82	AG727297	2	O-RING	
83	AG133231	1	ELEMENT-FILTER,OIL,SAUER PUMP	
84	AG722601	1	VALVE-MULTI-FUNCTIONAL	
85	AG137565	1	O-RING	
85	AG137566	1	SCREW	
86	1077682M1	1	O-RING	
87	71374870	1	VALVE/CHECK	
88	1077684M1	1	PLUG/PIPE	
89	71396140	1	KIT/CYLINDER BLOCK	
90	71374842	1	CYLINDER/BLOCK ASM	
91	71374844	1	SPRING	
92	71374843	1	SPRING/SEAT	
93	71374845	1	SPRING/RETAINER	
94	1077611M1	1	RING/RETAINING	
95	71374846	9	PISTON/WELDED ASM	
96	71374847	1	GUIDE/SLIPPER	
97	71374904	2	BEARING/SLIPPER GUIDE	
98	71396141	4	SPACER	
100	AG137567	1	KIT/ORIFCE CONTROL .040	
101	71374908	1	SPRING	
102	71374909	1	SPRING/RETAINER	
103	AG137570	4	WASHER	
104	AG137569	4	SCREW	
105	AG714257	1	O RING,4.00 ID X.09W,B-PAD	[A]
	FOOTNOTE [A]		BIG O-RING USED ON EATON CHARGE PUMP, BLACK IN COLOR 4 DIA.	



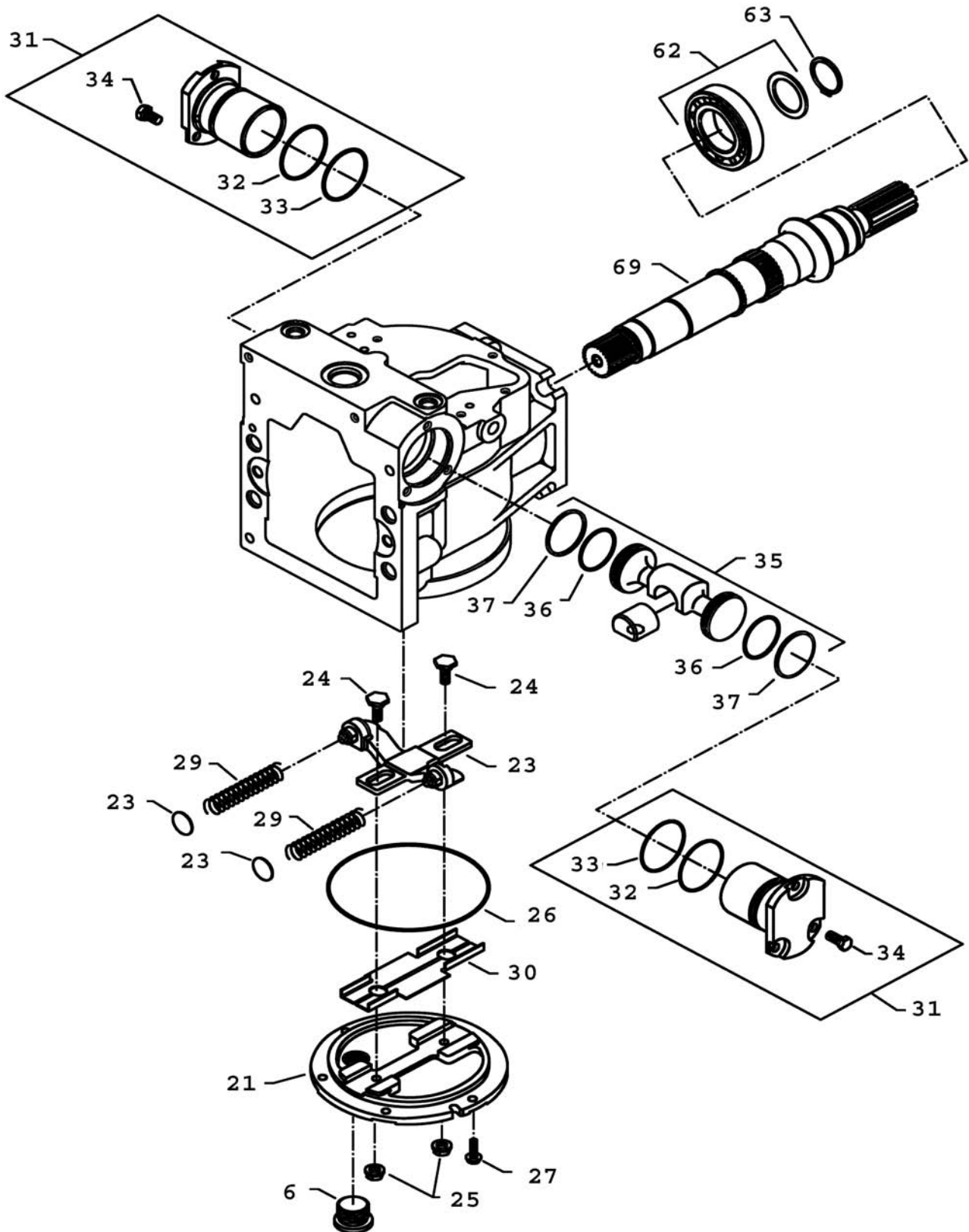
ITEM	PART #	QTY	DESCRIPTION	COMMENTS
REF	AG137568	1	KIT/GASKET SEAL OVERHAUL	
1	71374958	1	VARIABLE HOUSING	
2	71374872	1	BEARING ASM	
3	71355340	2	PIN	
4	700725864	13	PLUG	
5	71374873	1	PLUG	
6	1077605M1	1	PLUG	
7	71355339	3	FILTER/CONTROL SCREEN	
9	71374876	1	SWASHPLATE/VARIABLE ASM	
10	71374877	1	SERVO/ARM ASM	
11	71374879	1	SWASHPLATE/VARIABLE	
12	71374880	1	SCREW	
13	71374881	1	SWASHPLATE/GUIDE	
14	71374882	1	SCREW	
15	71374883	1	WASHER	
16	71374884	1	PIN/SPIRAL	
17	71374875	1	CAGE/LOCATER LINK	
18	AG137544	1	LINK/FEEDBACK	
19	AG137545	1	PIN	
20	71374886	1	SPRING	
21	71374960	1	COVER/SIDE	
22	AG137546	1	LEVELER ASM	
23	71396130	2	SHIM	
24	AG137547	2	GUIDE POST	
25	1077627M1	2	NUT	
26	1077628M1	1	O-RING	
27	71374890	6	SCREW	
29	71374891	2	SPRING	
30	AG137548	1	COVER/SIDE INSERT ASM	
31	71374901	2	KIT/SERVO CYLINDER	
32	1077636M1	2	O-RING	
33	1077637M1	2	O-RING	
34	1077638M1	6	SCREW	
35	71396133	1	KIT/SERVO PISTON	
36	1077633M1	2	O-RING	
37	71358545	2	PISTON RING	
38	1077635M1	1	BLOCK/SLIDER	
39	71374893	1	CAP/END ASM,TWIN PORTS	
40	71374834	1	BEARING/JOURNAL	
41	71374898	1	CAP/END GASKET	
42	71374894	1	BUSHING	
43	71374900	2	SCREW	
44	71374895	1	BRACKET SPACER/LIFTING	
45	71374896	1	BRACKET/LIFTING	
46	71374897	1	WASHER	
47	AG137549	1	PUMP/CHARGE SET	
48	AG137550	1	PIN	
49	AG137551	1	SHAFT/CHARGE PUMP	
50	1077656M1	1	KEY	
51	71774840	1	SCREW	
52	AG425745	1	COUPLING	
53	AG425746	1	COVER/CHARGE PUMP	
54	AG134396	1	O-RING,C-PAD,SAUER TANDEM	
55	AG137554	1	FLANGE/ADAPTER	
56	AG137555	4	SCREW/SOCKET HEAD	
57	AG137556	1	SEAL/B PAD	
58	AG137557	1	COVER/FLANGE	
59	AG137558	2	SCREW	
60	AG425744	1	VALVE/CHRG REL KIT	
61	70928486	1	O-RING	



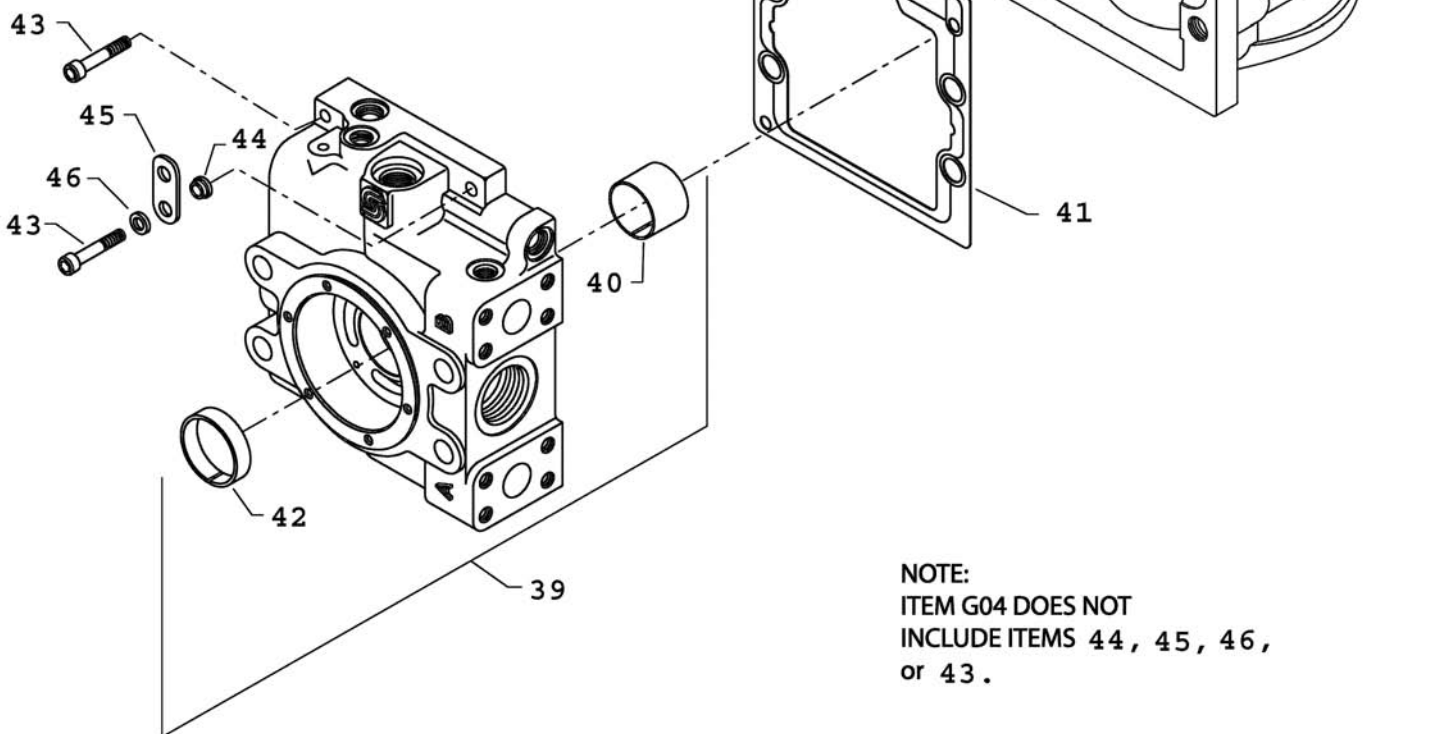
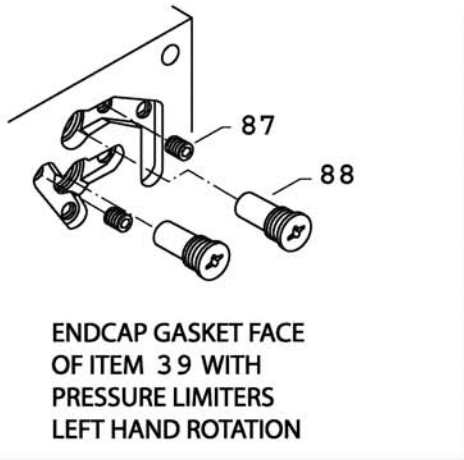
ITEM	PART #	QTY	DESCRIPTION	COMMENTS
62	71374952	1	BEARING/ROLLER	
63	1077664M1	1	RING/RETAINING	
64	AG133278	1	KIT-SEAL,FRONT,SAUER	
65	1077666M1	1	SEAL/LIP	
66	70937632	1	O-RING	
67	71374839	1	PLATE/RETAINING	
68	71374840	1	SCREW/METRIC	
70	AG137559	1	KIT/MDC NEUTRAL SWITCH	
71	AG137560	1	GASKET/CONTROL	
72	AG137561	1	HANDLE/SHAFT CONTROL	
73	71374866	1	WASHER/TOOTHLOCK	
74	71374867	1	NUT	
75	1077673M1	6	SCREW	
76	AG137562	1	KIT/NEUTRAL START SWITCH	
82	AG727297	2	O-RING	
83	AG133231	1	ELEMENT-FILTER,OIL,SAUER PUMP	
84	AG722601	1	VALVE-MULTI-FUNCTIONAL	
85	AG137565	1	O-RING	
85	AG137566	1	SCREW	
86	1077682M1	1	O-RING	
87	71374870	1	VALVE/CHECK	
88	1077684M1	1	PLUG/PIPE	
89	71396140	1	KIT/CYLINDER BLOCK	
90	71374842	1	CYLINDER/BLOCK ASM	
91	71374844	1	SPRING	
92	71374843	1	SPRING/SEAT	
93	71374845	1	SPRING/RETAINER	
94	1077611M1	1	RING/RETAINING	
95	71374846	9	PISTON/WELDED ASM	
96	71374847	1	GUIDE/SLIPPER	
97	71374904	2	BEARING/SLIPPER GUIDE	
98	71396141	4	SPACER	
100	AG137567	1	KIT/ORIFCE CONTROL .040	
101	71374908	1	SPRING	
102	71374909	1	SPRING/RETAINER	
103	AG137570	4	WASHER	
104	AG137569	4	SCREW	
105	AG714257	1	O RING,4.00 ID X.09W,B-PAD	[A]
	FOOTNOTE [A]		BIG O-RING USED ON EATON CHARGE PUMP, BLACK IN COLOR 4 DIA.	



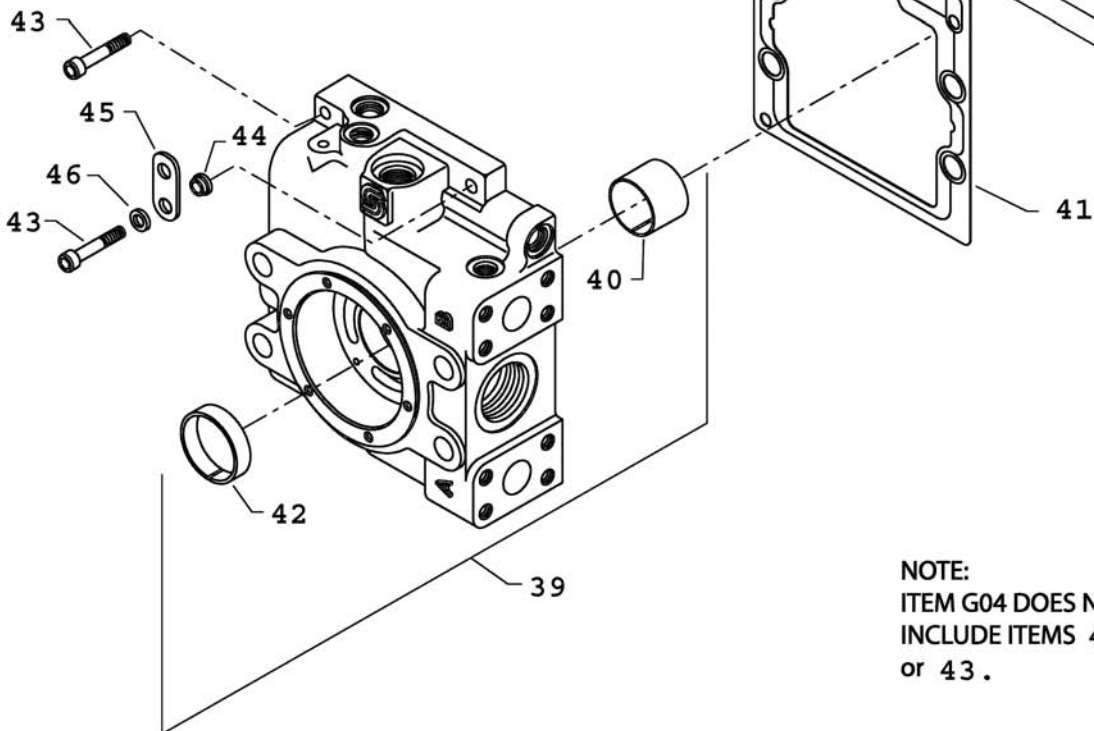
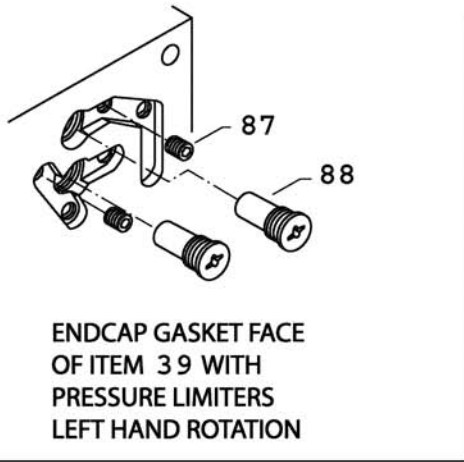
ITEM	PART #	QTY	DESCRIPTION	COMMENTS
REF	AG137568	1	KIT/GASKET SEAL OVERHAUL	
1	71374958	1	VARIABLE HOUSING	
2	71374872	1	BEARING ASM	
3	71355340	2	PIN	
4	700725864	13	PLUG	
5	71374873	1	PLUG	
6	1077605M1	1	PLUG	
7	71355339	3	FILTER/CONTROL SCREEN	
9	71374876	1	SWASHPLATE/VARIABLE ASM	
10	71374877	1	SERVO/ARM ASM	
11	71374879	1	SWASHPLATE/VARIABLE	
12	71374880	1	SCREW	
13	71374881	1	SWASHPLATE/GUIDE	
14	71374882	1	SCREW	
15	71374883	1	WASHER	
16	71374884	1	PIN/SPIRAL	
17	71374875	1	CAGE/LOCATER LINK	
18	AG137544	1	LINK/FEEDBACK	
19	AG137545	1	PIN	
20	71374886	1	SPRING	
21	71374960	1	COVER/SIDE	
22	AG137546	1	LEVELER ASM	
23	71396130	2	SHIM	
24	AG137547	2	GUIDE POST	
25	1077627M1	2	NUT	
26	1077628M1	1	O-RING	
27	71374890	6	SCREW	
29	71374891	2	SPRING	
30	AG137548	1	COVER/SIDE INSERT ASM	
31	71374901	2	KIT/SERVO CYLINDER	
32	1077636M1	2	O-RING	
33	1077637M1	2	O-RING	
34	1077638M1	6	SCREW	
35	71396133	1	KIT/SERVO PISTON	
36	1077633M1	2	O-RING	
37	71358545	2	PISTON RING	
38	1077635M1	1	BLOCK/SLIDER	
39	71374893	1	CAP/END ASM,TWIN PORTS	
40	71374834	1	BEARING/JOURNAL	
41	71374898	1	CAP/END GASKET	
42	71374894	1	BUSHING	
43	71374900	2	SCREW	
44	71374895	1	BRACKET SPACER/LIFTING	
45	71374896	1	BRACKET/LIFTING	
46	71374897	1	WASHER	
47	AG137549	1	PUMP/CHARGE SET	
48	AG137550	1	PIN	
49	AG137551	1	SHAFT/CHARGE PUMP	
50	1077656M1	1	KEY	
51	71774840	1	SCREW	
52	AG425745	1	COUPLING	
53	AG425746	1	COVER/CHARGE PUMP	
54	AG134396	1	O-RING,C-PAD,SAUER TANDEM	
55	AG137554	1	FLANGE/ADAPTER	
56	AG137555	4	SCREW/SOCKET HEAD	
57	AG137556	1	SEAL/B PAD	
58	AG137557	1	COVER/FLANGE	
59	AG137558	2	SCREW	
60	AG425744	1	VALVE/CHRG REL KIT	
61	70928486	1	O-RING	



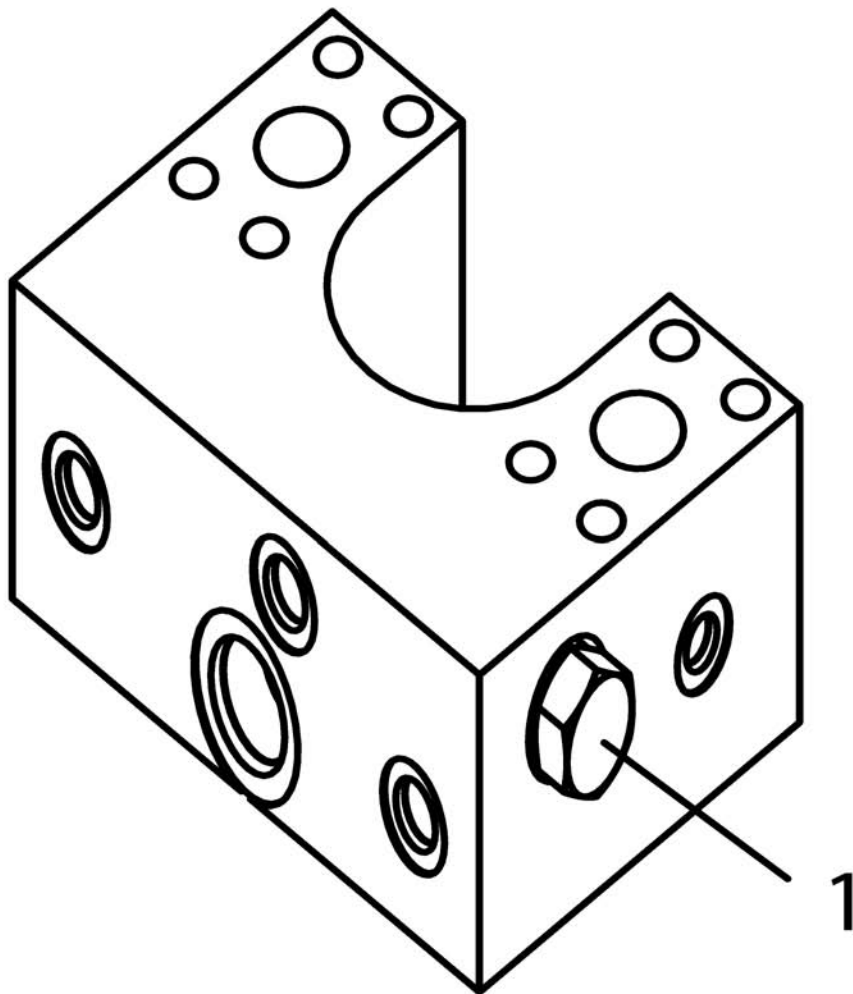
ITEM	PART #	QTY	DESCRIPTION	COMMENTS
62	71374952	1	BEARING/ROLLER	
63	1077664M1	1	RING/RETAINING	
64	AG133278	1	KIT-SEAL,FRONT,SAUER	
65	1077666M1	1	SEAL/LIP	
66	70937632	1	O-RING	
67	71374839	1	PLATE/RETAINING	
68	71374840	1	SCREW/METRIC	
70	AG137559	1	KIT/MDC NEUTRAL SWITCH	
71	AG137560	1	GASKET/CONTROL	
72	AG137561	1	HANDLE/SHAFT CONTROL	
73	71374866	1	WASHER/TOOTHLOCK	
74	71374867	1	NUT	
75	1077673M1	6	SCREW	
76	AG137562	1	KIT/NEUTRAL START SWITCH	
82	AG727297	2	O-RING	
83	AG133231	1	ELEMENT-FILTER,OIL,SAUER PUMP	
84	AG722601	1	VALVE-MULTI-FUNCTIONAL	
85	AG137565	1	O-RING	
85	AG137566	1	SCREW	
86	1077682M1	1	O-RING	
87	71374870	1	VALVE/CHECK	
88	1077684M1	1	PLUG/PIPE	
89	71396140	1	KIT/CYLINDER BLOCK	
90	71374842	1	CYLINDER/BLOCK ASM	
91	71374844	1	SPRING	
92	71374843	1	SPRING/SEAT	
93	71374845	1	SPRING/RETAINER	
94	1077611M1	1	RING/RETAINING	
95	71374846	9	PISTON/WELDED ASM	
96	71374847	1	GUIDE/SLIPPER	
97	71374904	2	BEARING/SLIPPER GUIDE	
98	71396141	4	SPACER	
100	AG137567	1	KIT/ORIFCE CONTROL .040	
101	71374908	1	SPRING	
102	71374909	1	SPRING/RETAINER	
103	AG137570	4	WASHER	
104	AG137569	4	SCREW	
105	AG714257	1	O RING,4.00 ID X.09W,B-PAD	[A]
	FOOTNOTE [A]		BIG O-RING USED ON EATON CHARGE PUMP, BLACK IN COLOR 4 DIA.	



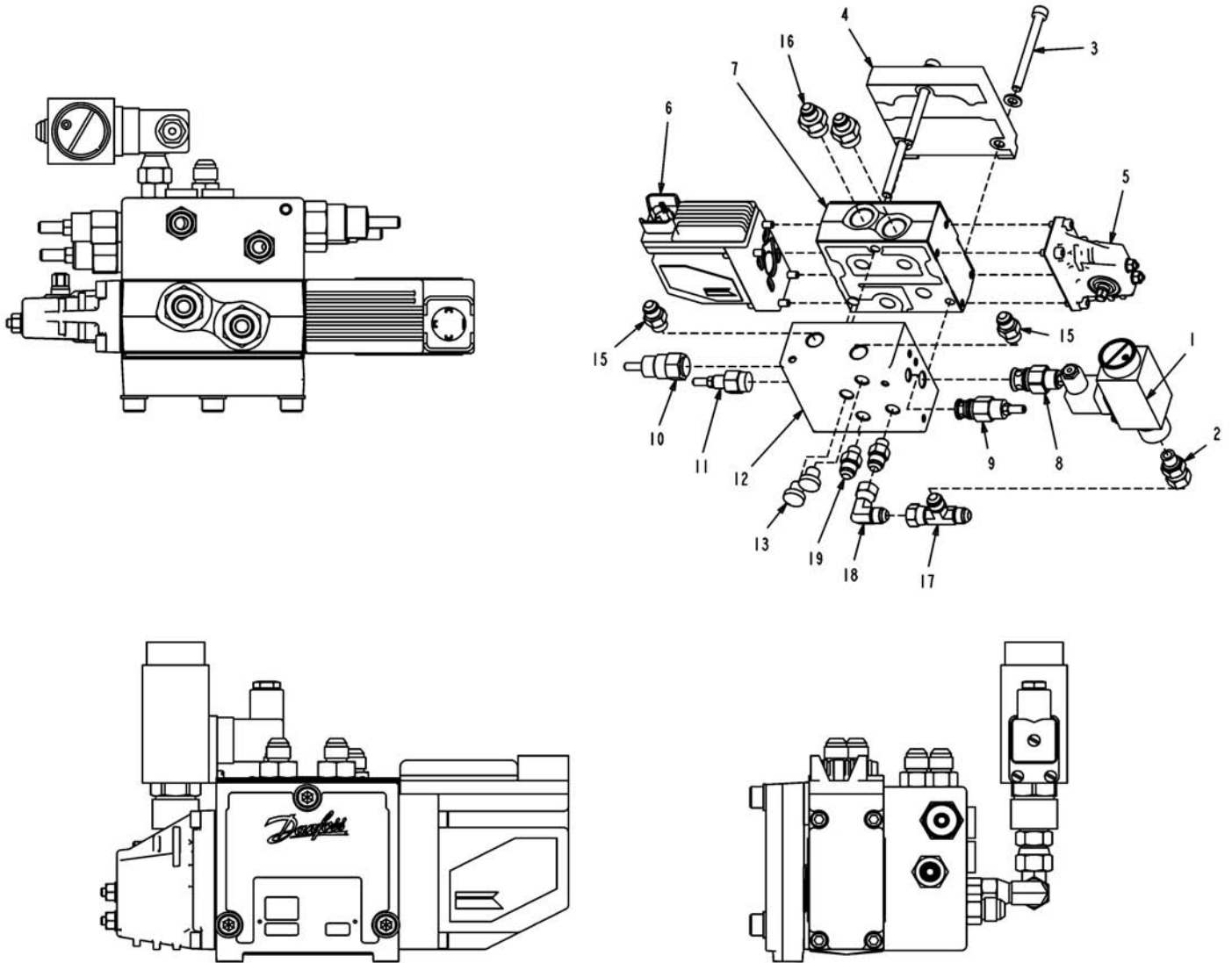
ITEM	PART #	QTY	DESCRIPTION	COMMENTS
REF	AG137568	1	KIT/GASKET SEAL OVERHAUL	
1	71374958	1	VARIABLE HOUSING	
2	71374872	1	BEARING ASM	
3	71355340	2	PIN	
4	700725864	13	PLUG	
5	71374873	1	PLUG	
6	1077605M1	1	PLUG	
7	71355339	3	FILTER/CONTROL SCREEN	
9	71374876	1	SWASHPLATE/VARIABLE ASM	
10	71374877	1	SERVO/ARM ASM	
11	71374879	1	SWASHPLATE/VARIABLE	
12	71374880	1	SCREW	
13	71374881	1	SWASHPLATE/GUIDE	
14	71374882	1	SCREW	
15	71374883	1	WASHER	
16	71374884	1	PIN/SPIRAL	
17	71374875	1	CAGE/LOCATER LINK	
18	AG137544	1	LINK/FEEDBACK	
19	AG137545	1	PIN	
20	71374886	1	SPRING	
21	71374960	1	COVER/SIDE	
22	AG137546	1	LEVELER ASM	
23	71396130	2	SHIM	
24	AG137547	2	GUIDE POST	
25	1077627M1	2	NUT	
26	1077628M1	1	O-RING	
27	71374890	6	SCREW	
29	71374891	2	SPRING	
30	AG137548	1	COVER/SIDE INSERT ASM	
31	71374901	2	KIT/SERVO CYLINDER	
32	1077636M1	2	O-RING	
33	1077637M1	2	O-RING	
34	1077638M1	6	SCREW	
35	71396133	1	KIT/SERVO PISTON	
36	1077633M1	2	O-RING	
37	71358545	2	PISTON RING	
38	1077635M1	1	BLOCK/SLIDER	
39	71374893	1	CAP/END ASM,TWIN PORTS	
40	71374834	1	BEARING/JOURNAL	
41	71374898	1	CAP/END GASKET	
42	71374894	1	BUSHING	
43	71374900	2	SCREW	
44	71374895	1	BRACKET SPACER/LIFTING	
45	71374896	1	BRACKET/LIFTING	
46	71374897	1	WASHER	
47	AG137549	1	PUMP/CHARGE SET	
48	AG137550	1	PIN	
49	AG137551	1	SHAFT/CHARGE PUMP	
50	1077656M1	1	KEY	
51	71774840	1	SCREW	
52	AG425745	1	COUPLING	
53	AG425746	1	COVER/CHARGE PUMP	
54	AG134396	1	O-RING,C-PAD,SAUER TANDEM	
55	AG137554	1	FLANGE/ADAPTER	
56	AG137555	4	SCREW/SOCKET HEAD	
57	AG137556	1	SEAL/B PAD	
58	AG137557	1	COVER/FLANGE	
59	AG137558	2	SCREW	
60	AG425744	1	VALVE/CHRG REL KIT	
61	70928486	1	O-RING	



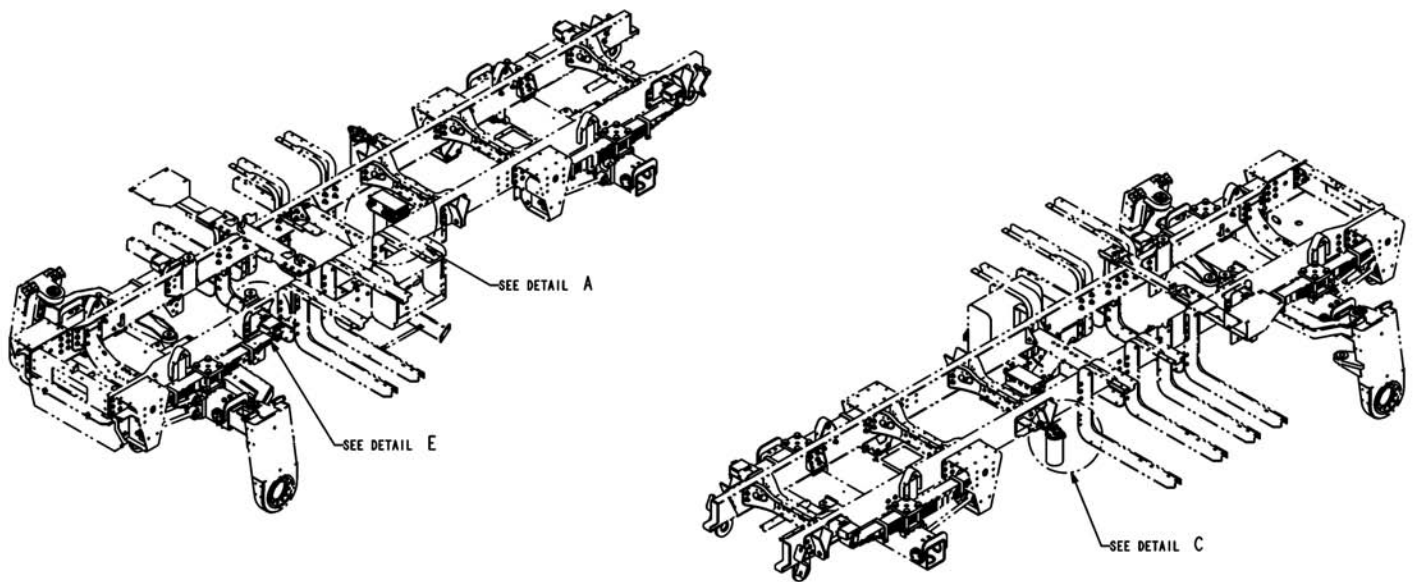
ITEM	PART #	QTY	DESCRIPTION	COMMENTS
62	71374952	1	BEARING/ROLLER	
63	1077664M1	1	RING/RETAINING	
64	AG133278	1	KIT-SEAL,FRONT,SAUER	
65	1077666M1	1	SEAL/LIP	
66	70937632	1	O-RING	
67	71374839	1	PLATE/RETAINING	
68	71374840	1	SCREW/METRIC	
70	AG137559	1	KIT/MDC NEUTRAL SWITCH	
71	AG137560	1	GASKET/CONTROL	
72	AG137561	1	HANDLE/SHAFT CONTROL	
73	71374866	1	WASHER/TOOTHLOCK	
74	71374867	1	NUT	
75	1077673M1	6	SCREW	
76	AG137562	1	KIT/NEUTRAL START SWITCH	
82	AG727297	2	O-RING	
83	AG133231	1	ELEMENT-FILTER,OIL,SAUER PUMP	
84	AG722601	1	VALVE-MULTI-FUNCTIONAL	
85	AG137565	1	O-RING	
85	AG137566	1	SCREW	
86	1077682M1	1	O-RING	
87	71374870	1	VALVE/CHECK	
88	1077684M1	1	PLUG/PIPE	
89	71396140	1	KIT/CYLINDER BLOCK	
90	71374842	1	CYLINDER/BLOCK ASM	
91	71374844	1	SPRING	
92	71374843	1	SPRING/SEAT	
93	71374845	1	SPRING/RETAINER	
94	1077611M1	1	RING/RETAINING	
95	71374846	9	PISTON/WELDED ASM	
96	71374847	1	GUIDE/SLIPPER	
97	71374904	2	BEARING/SLIPPER GUIDE	
98	71396141	4	SPACER	
100	AG137567	1	KIT/ORIFCE CONTROL .040	
101	71374908	1	SPRING	
102	71374909	1	SPRING/RETAINER	
103	AG137570	4	WASHER	
104	AG137569	4	SCREW	
105	AG714257	1	O RING,4.00 ID X.09W,B-PAD	[A]
	FOOTNOTE [A]		BIG O-RING USED ON EATON CHARGE PUMP, BLACK IN COLOR 4 DIA.	



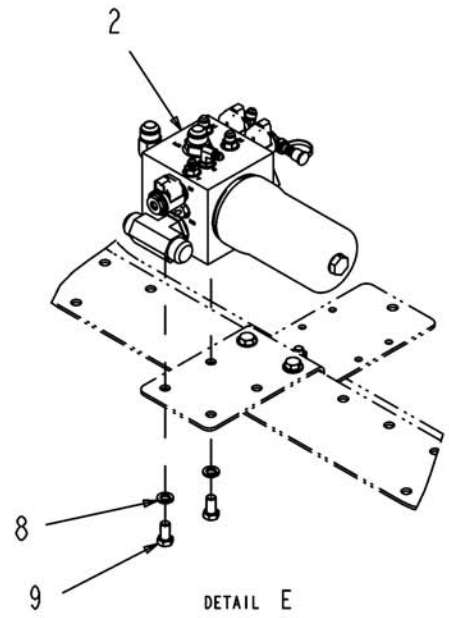
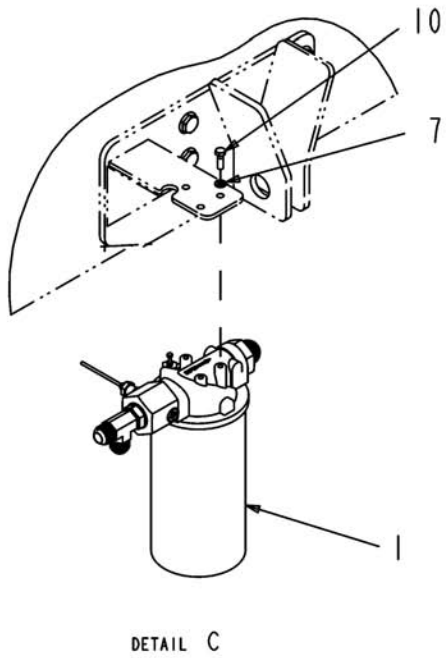
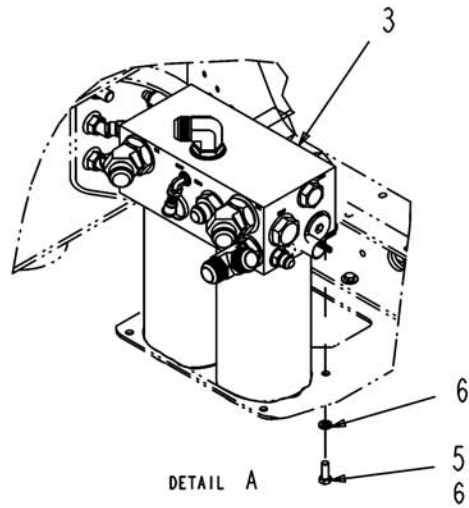
ITEM	PART #	QTY	DESCRIPTION	COMMENTS
REF	AG520428	1	ORING-904-90 BUNA N	
REF	AG609418	1	O RING 517691	[A]
REF	AG713670	1	O RING POLY	
1	AG135348	1	VALVE-HYD, SHUTTLE	
	FOOTNOTE [A]		USED ON AG517691, SAME AS WR609418	
	FOOTNOTE:		AG135348 - HOT OIL SHUTTLE	
	FOOTNOTE:		AG609418 ORINGS FOR SPLIT FLANGE & BLOCK MTG	



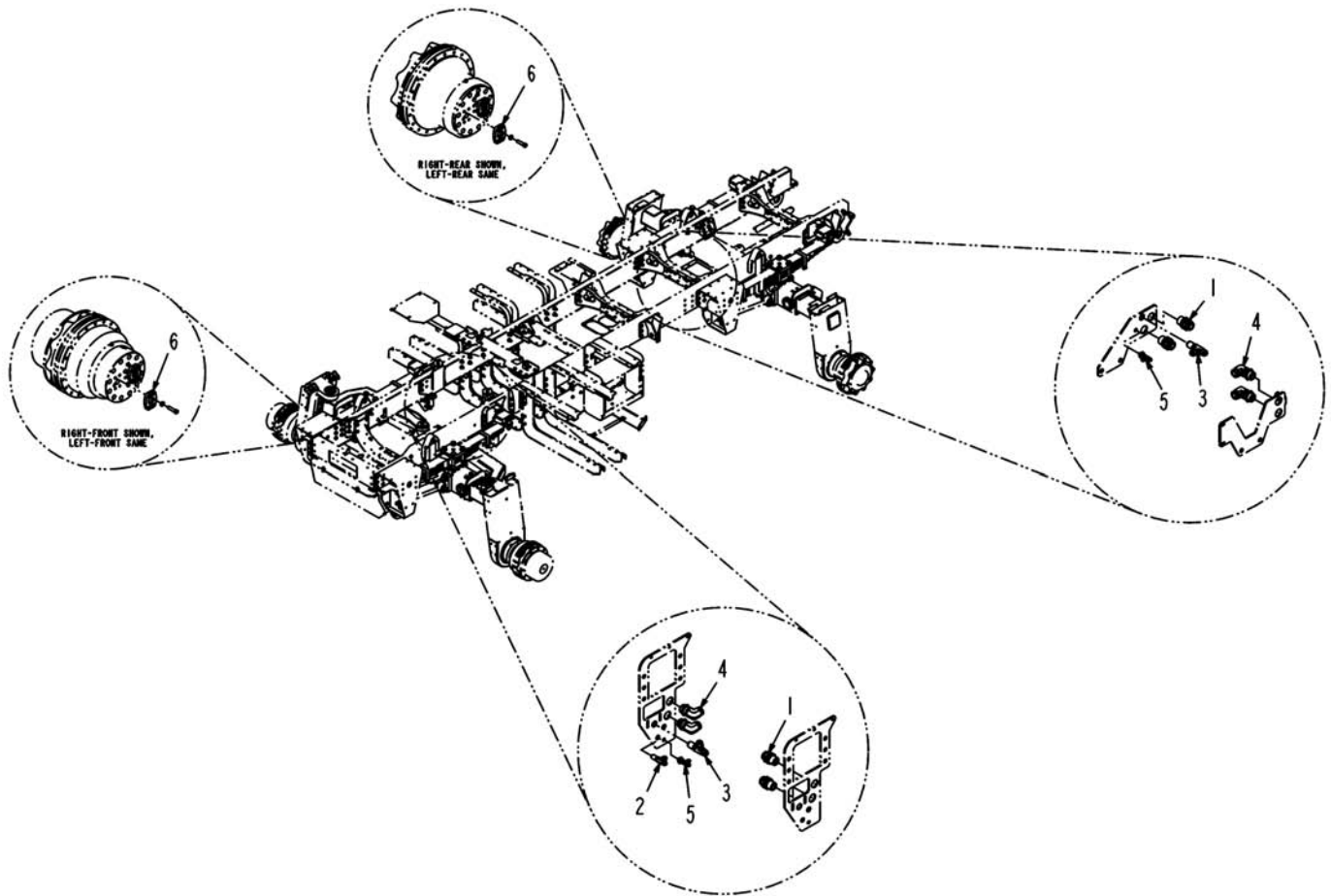
ITEM	PART #	QTY	DESCRIPTION	COMMENTS
1	AG125848	1	SWITCH-PRESSURE 0.25F	
2	AG125849	1	ADAPTER-PRESSURE SWITCH	
3	AG129546	3	SCREW-CAP,M8X80,GR 12.9,BLACK	
4	AG129547	1	SECTION-END,PVS,NO CONNECTIONS	
5	AG129548	1	ACTUATOR-MECHANICAL,PVM	
6	AG129549	1	ACTUATOR-ON/OFF,PVEO,12V	
7	AG129550	1	SECTION-WORK,PVB	
8	AG129551	1	VALVE-DIRECTIONAL,3-WAY	
9	AG129552	1	VALVE-REDUCING,PRESSURE	
10	AG129553	1	VALVE-RELIEF	
11	AG129554	1	VALVE-RELIEF	
12	AG129555	1	SECTION B-INLET,CUSTOM,BEELINE	
13	AG129556	2	PLUG-HEX,-6	
14	AG520880	3	WASHER-FL,M8,ZN,REG	
15	AG560693	2	ADAP STR 0.37MO-R X 0.37MJIC	[A]
16	AG561308	2	ADAP STR 0.50MO-R X 0.37MJIC	[B]
17	AG561391	1	TEE 0.37FJIC SW X 0.37MJIC(2)	
18	AG561629	1	ELBOW -6FJS90X -6MJ	
19	AG562009	2	ADAP STR 0.25MO-R X 0.37MJIC	
	FOOTNOTE [A]		AG713166 O-RING	
	FOOTNOTE [B]		AG713670 O-RING, USED FOR THE ADAPTION OF AG515950 TO A AG523053	



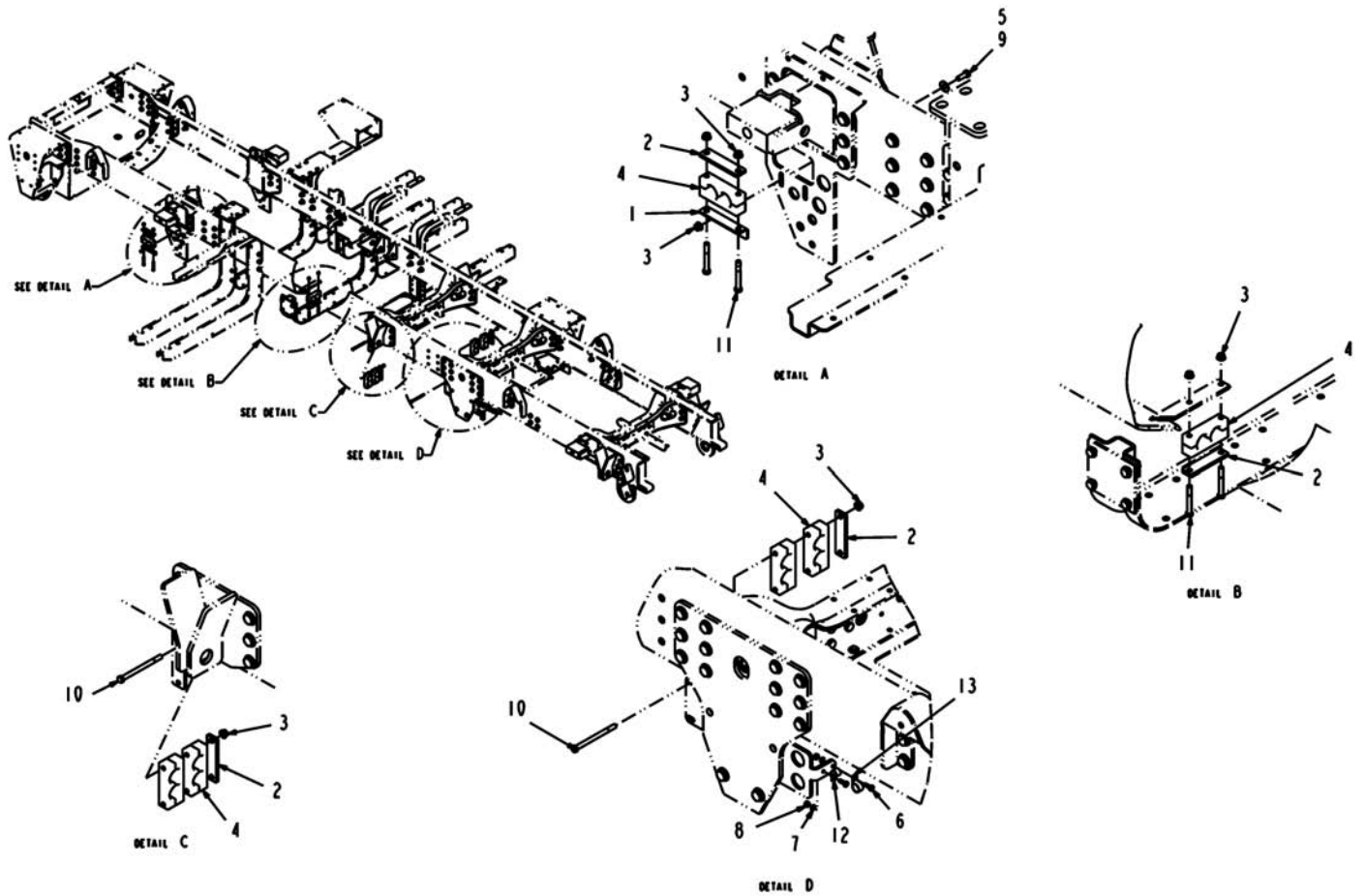
ITEM	PART #	QTY	DESCRIPTION	COMMENTS
1	AG132600	1	FILTER ASM-HYD,CASE DRAIN	SEE PAGE 5-32
2	AG134946	1	C/F/S/BLOCK ASM	
3	AG135351	1	MANIFOLD ASM,HYD RETURN	SEE PAGE 5-41
4	AG512885	AR	LOCTITE ADHESIVE SEALANT BLUE	
5	AG550175	2	BOLT 0.37-16NCX 1.00 G5 ZN HHD	
6	AG550191	2	WASHER LK 0.37 ZN REG	
7	AG550205	3	WASHER LK 0.31 ZN REG	
8	AG550264	2	WASHER 0.50 LK ZN REG	
9	AG550655	2	BOLT 0.50-13NCX 1.00 G5 ZN HHD	
10	AG551252	3	BOLT 0.31-18NCX 1.00 G5 ZN HHD	



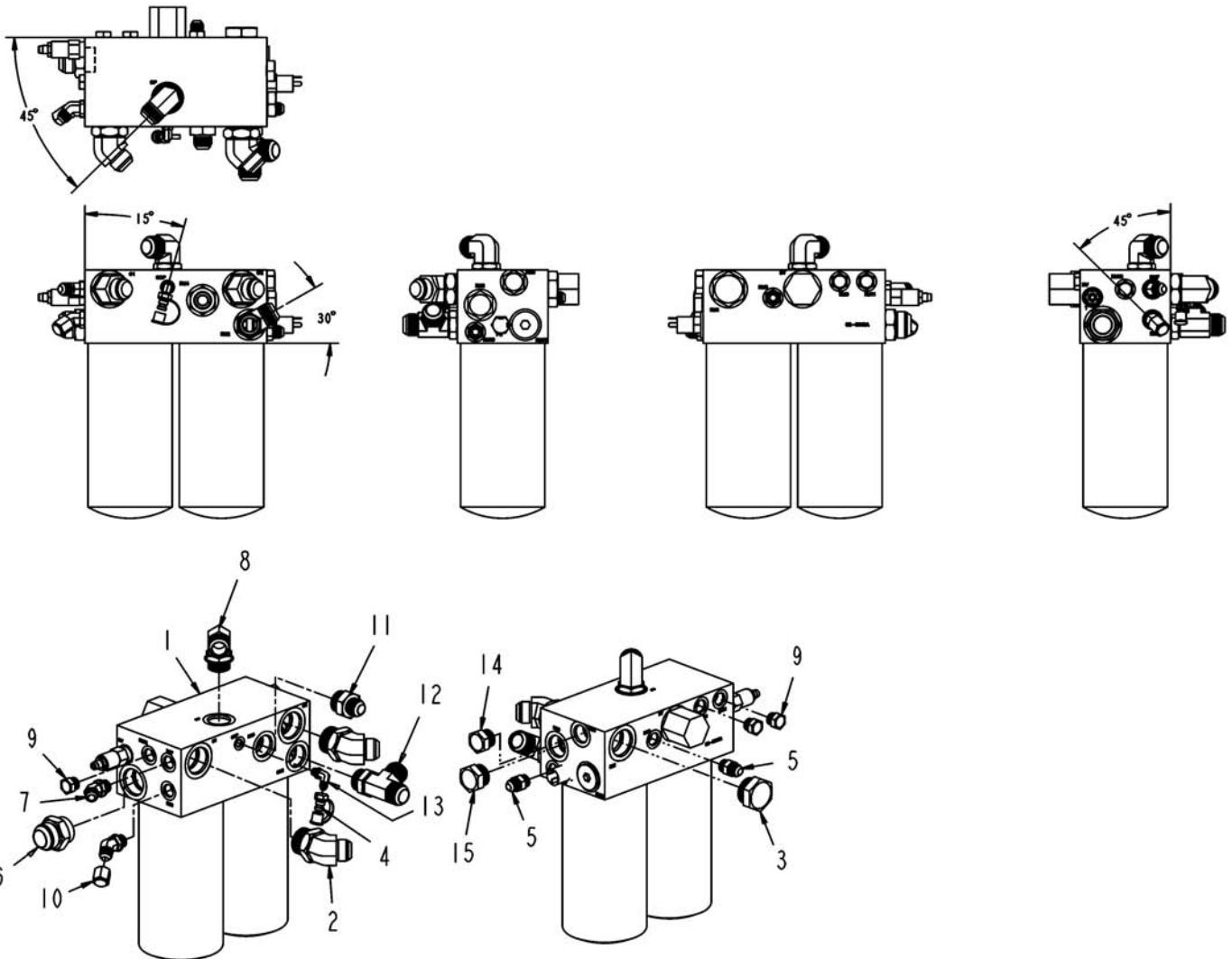
ITEM	PART #	QTY	DESCRIPTION	COMMENTS
1	AG132600	1	FILTER ASM-HYD,CASE DRAIN	SEE PAGE 5-32
2	AG134946	1	C/F/S/BLOCK ASM	
3	AG135351	1	MANIFOLD ASM,HYD RETURN	SEE PAGE 5-41
4	AG512885	AR	LOCTITE ADHESIVE SEALANT BLUE	
5	AG550175	2	BOLT 0.37-16NCX 1.00 G5 ZN HHD	
6	AG550191	2	WASHER LK 0.37 ZN REG	
7	AG550205	3	WASHER LK 0.31 ZN REG	
8	AG550264	2	WASHER 0.50 LK ZN REG	
9	AG550655	2	BOLT 0.50-13NCX 1.00 G5 ZN HHD	
10	AG551252	3	BOLT 0.31-18NCX 1.00 G5 ZN HHD	



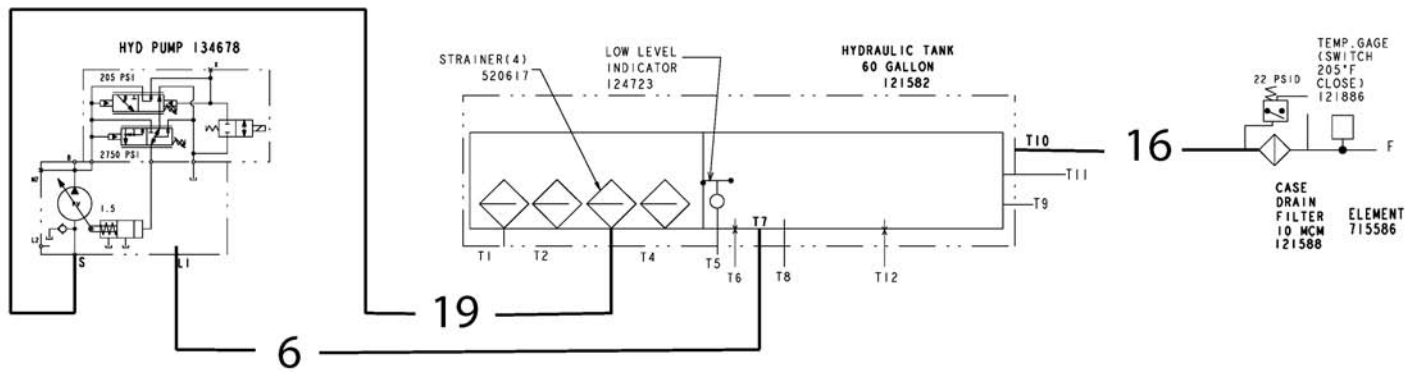
ITEM	PART #	QTY	DESCRIPTION	COMMENTS
1	AG133222	4	UNION BLKHD-16ORFS	
2	AG518443	1	TEE, BULKHEAD, RUN-8	
3	AG518972	2	TEE BULKHEAD RUN -12	
4	AG521140	4	UNION BLKHD 90D-16ORFS	
5	AG521142	2	TEE-BULKHEAD,RUN -6	
6	AG522730	8	KIT-16, CODE 62, SPLIT FLH, SH	



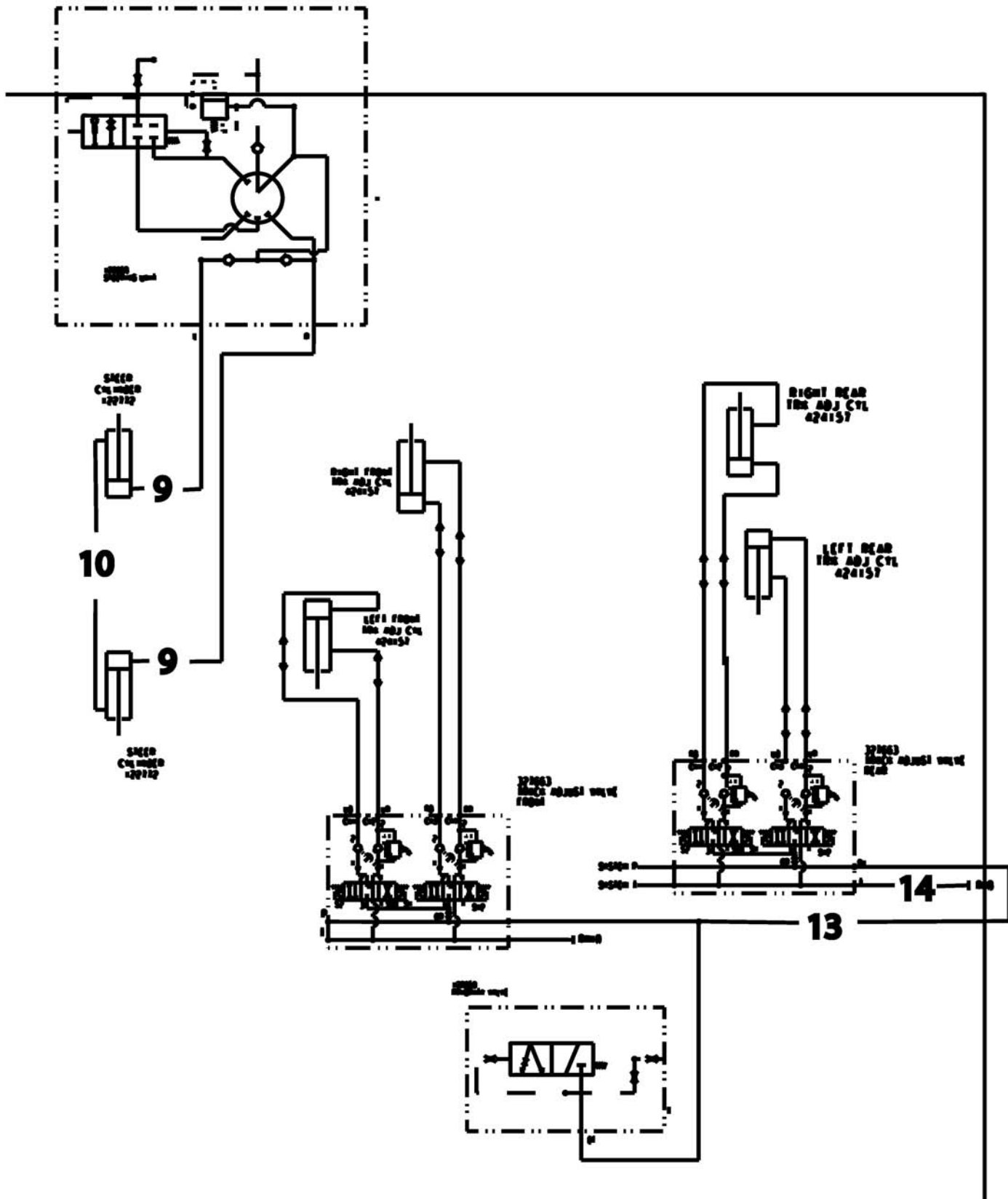
ITEM	PART #	QTY	DESCRIPTION	COMMENTS
1	AG120971	1	BRACKET-CLAMP SUPPORT,.50	
2	AG237961	4	PLATE-COVER	[A]
3	AG520885	10	NUT-.38-16,G5,ZN,FLG,H	
4	AG521587	6	CLAMP-TWIN,1.50,POLY	
5	AG550175	2	BOLT 0.37-16NCX 1.00 G5 ZN HHD	
6	AG550485	2	BOLT.25-20NCX.75 G5 ZN HHD	
7	AG550493	2	WASHER LK 0.25 ZN REG	
8	AG550612	2	NUT 0.25-20NC HEX ZN REG	
9	AG551007	2	WASHER FL 0.37 ZN REG TYPE-B	
10	AG553662	4	BOLT 0.37-16NCX 5.00 G5 ZN HHD	
11	AG561072	4	BOLT 0.37-16NCX 3.00 G5 ZN HHD	
12	AG561488	1	CLAMP 0.62 COATED HOSE	
13	AG561489	1	CLAMP 0.75 COATED HOSE	
	FOOTNOTE [A]		PLATE THAT COVER BOLTS - AG237959	



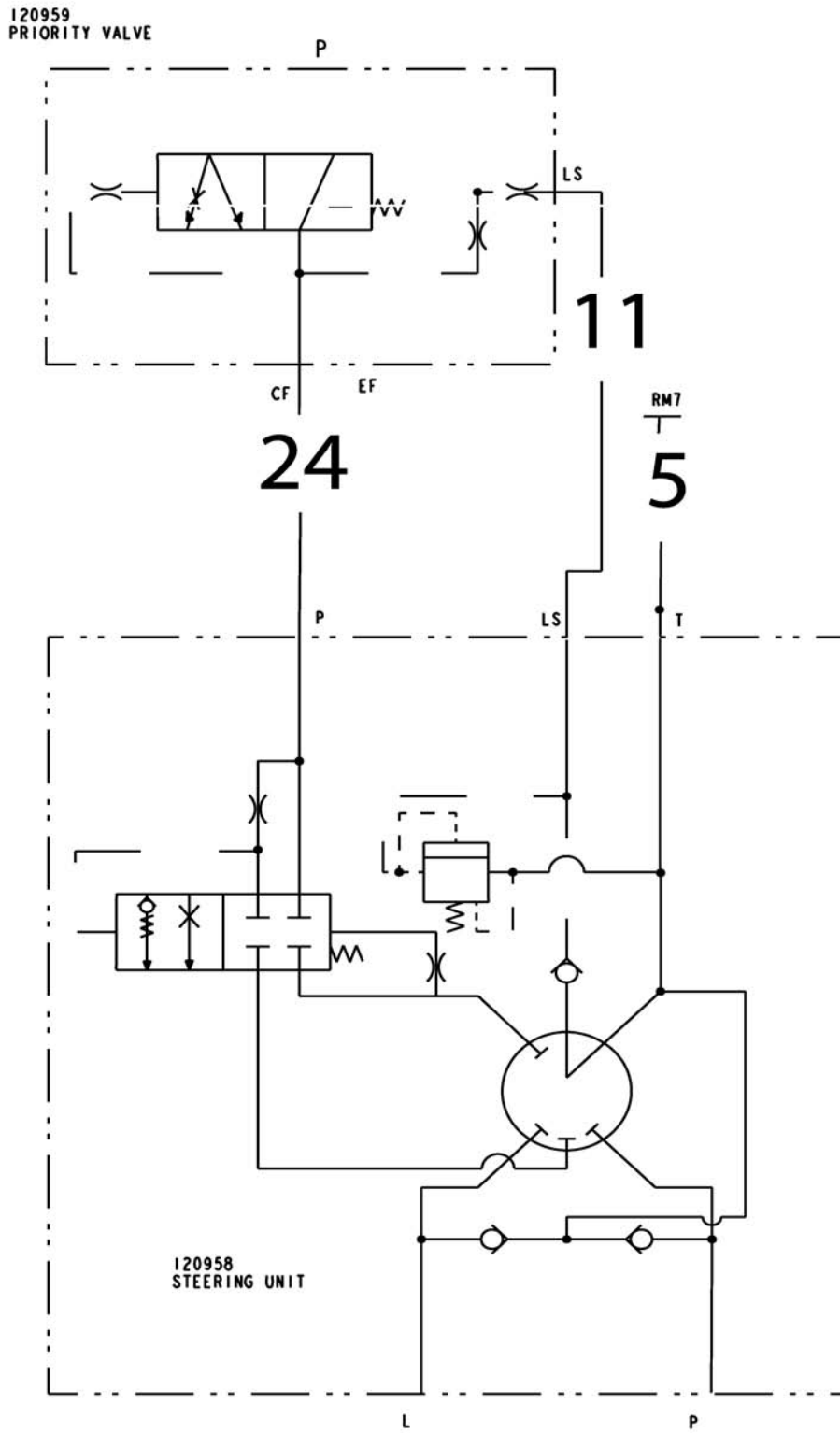
ITEM	PART #	QTY	DESCRIPTION	COMMENTS
1	AG136399	1	MANIFOLD-RETURN,2 FILTERS	
2	AG515065	2	ELBOW -20MBX-16MJ45	[A]
3	AG517802	1	PLUG, O-RING BOSS-20	
4	AG519113	1	TUBE END NIPPLE -4	
5	AG551139	2	ADAP STR 0.50MO-R X 0.50 MJIC	[B]
6	AG552186	1	ADAP STR-20MBX-20MJ	[C]
7	AG553891	2	ELBOW 45D 0.50MO-R X 0.50MJIC	
8	AG555509	1	ELBOW 90D 1.00MO-R X 1.0MJIC	[D]
9	AG560899	3	PLUG 0.50MO-R HEX	
10	AG561169	1	NUT CAP 0.50FJIC	
11	AG561317	1	ADAP STR 1.00MO-R X 0.75MJIC	[E]
12	AG561365	1	TEE 1.00MO-R X 1.00MJIC(2)	
13	AG561677	1	ELBOW 90D 0.25MO-R X 0.25MJIC	[F]
14	AG561879	1	PLUG 0.75MO-R HEX	[G]
15	AG831500	1	PLUG 1.00MO-R HEX	
	FOOTNOTE [A]		COOLER SIDE O-RING- AG723297	
	FOOTNOTE [B]		AG713670-O-RING	
	FOOTNOTE [C]		AG714806-O-RING	
	FOOTNOTE [D]		O-RING AG714365	
	FOOTNOTE [E]		AG713900 O-RING	
	FOOTNOTE [F]		AG713670 O-RING	
	FOOTNOTE [G]		AG562511 O-RING	



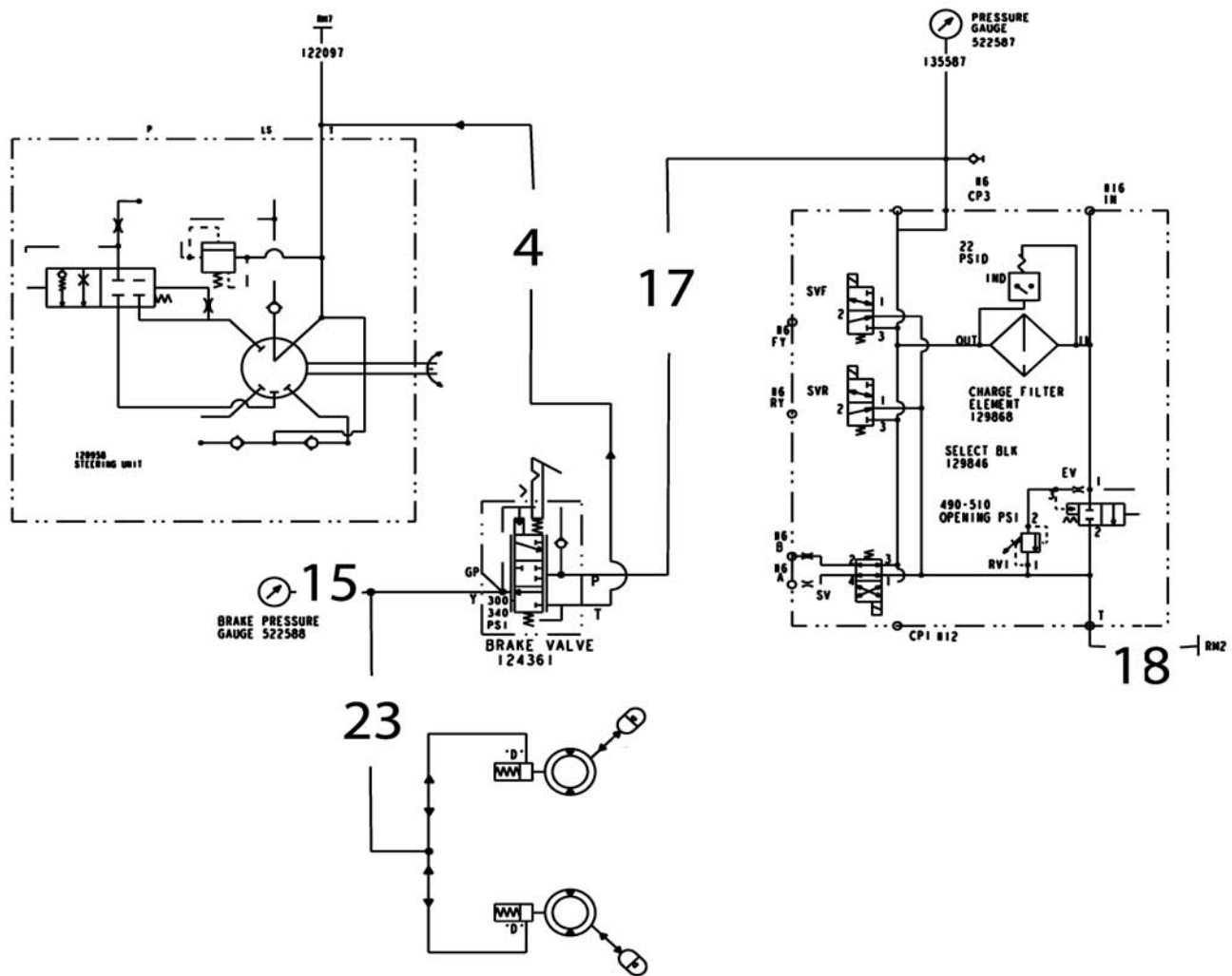
ITEM	PART #	QTY	DESCRIPTION	COMMENTS
1	AG130294	1	HOSE ASM -20 X 32.5 FJS/FJS	
2	AG122066	1	HOSE ASM A/C (R134A)-8X85.00	
3	AG122067	1	HOSE ASM A/C (R134A)-6X86.00	
4	AG122095	1	HOSE ASM -8X23.00 FJS/FJS90L	
5	AG122097	1	HOSE ASM -8X87.00 FJS/FJS90	
6	AG122102	1	HOSE ASM -8X57.00 FJS/FJS90	
7	AG122105	1	HOSE ASM -16X123.00 FJS/FJS	
9	AG122108	2	HOSE ASM -6X125.00 FJS/8FJS45	
10	AG122109	1	HOSE ASM -6X200.00 FJS/FJS	
11	AG122532	1	HOSE,ASM -4X44 FJX/-5 FJX90	
12	AG124722	1	HOSE ASM-8X 68.00 R1AT FJS/FJS	
13	AG125136	1	HOSE ASM-6X141.00 FJS/FJS90	
14	AG125137	1	HOSE ASM-8X102.00 FJS/FJS90	
15	AG125144	1	HOSE ASM-4X186.00 FJS/FJS	
16	AG130299	1	HOSE ASM-16 X 26.00 FJS/FJS90	
17	AG135585	1	HOSE ASM -6X40 FJS/8FJS90	
18	AG135588	1	HOSE ASM-16X71.00 FJS/FJS	
19	AG135590	1	HOSE ASM-20X18 FJS/FJS90L	
20	AG209672	1	HOSE ASM -4 32.00 R1AT	
21	AG224865	1	HOSE ASM -8 X 102.00 TEFLON/SS	[A]
22	AG231239	2	HOSE ASM -4 72.00 R1AT	
23	AG235781	1	HOSE ASM -8 X 44.00 FJS/FJS90	
24	AG239263	1	HOSE ASM -8X54 FJS/FJS90	
25	AG240964	1	HOSE ASM -8X32 FJS/FJS RIAT	
	FOOTNOTE [A]		AG223184 IS THE SAME TYPE OF HOSE IN A 72 IN LENGTH.	



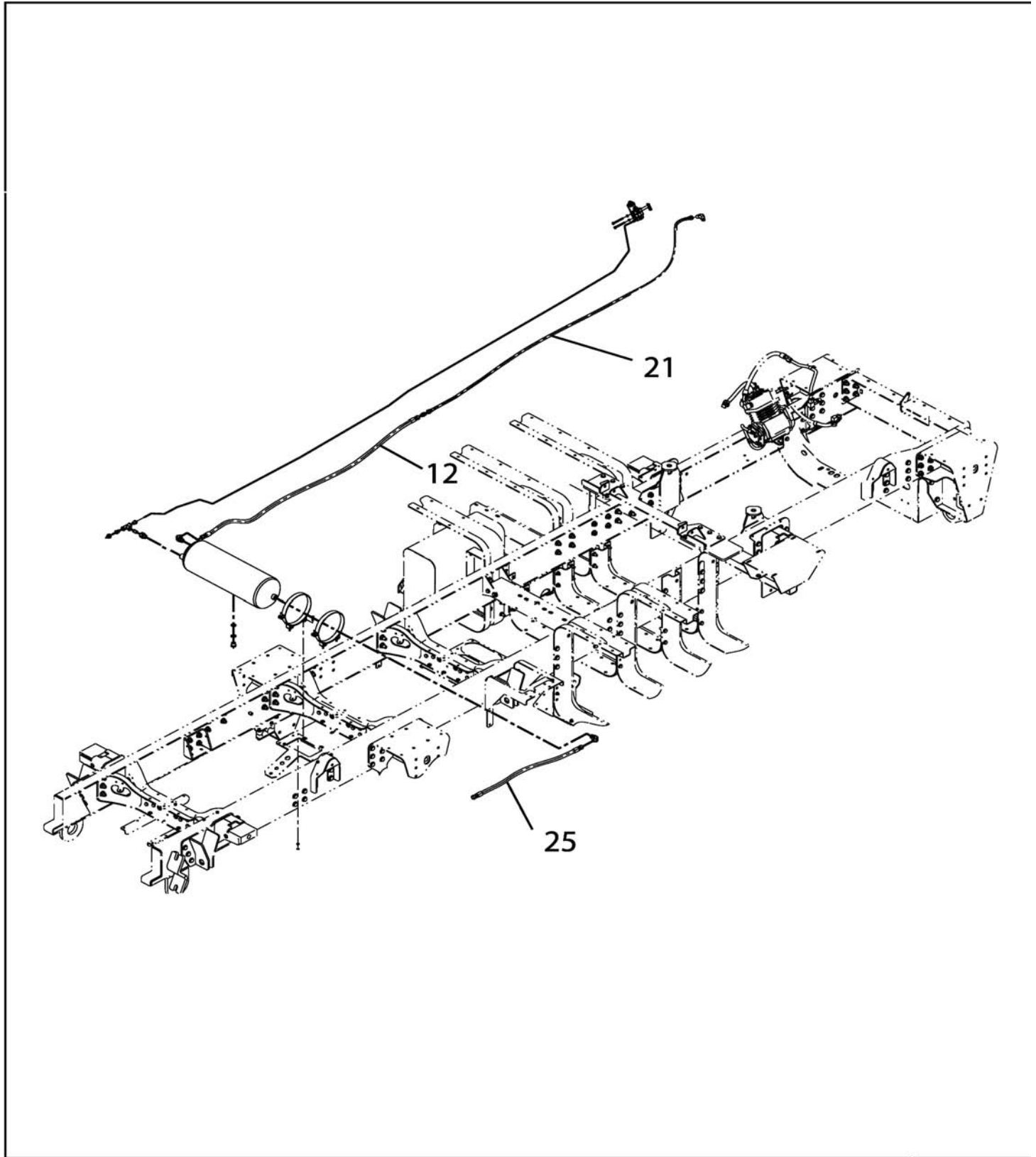
ITEM	PART #	QTY	DESCRIPTION	COMMENTS
1	AG130294	1	HOSE ASM -20 X 32.5 FJS/FJS	
2	AG122066	1	HOSE ASM A/C (R134A)-8X85.00	
3	AG122067	1	HOSE ASM A/C (R134A)-6X86.00	
4	AG122095	1	HOSE ASM -8X23.00 FJS/FJS90L	
5	AG122097	1	HOSE ASM -8X87.00 FJS/FJS90	
6	AG122102	1	HOSE ASM -8X57.00 FJS/FJS90	
7	AG122105	1	HOSE ASM -16X123.00 FJS/FJS	
9	AG122108	2	HOSE ASM -6X125.00 FJS/8FJS45	
10	AG122109	1	HOSE ASM -6X200.00 FJS/FJS	
11	AG122532	1	HOSE,ASM -4X44 FJX/-5 FJX90	
12	AG124722	1	HOSE ASM-8X 68.00 R1AT FJS/FJS	
13	AG125136	1	HOSE ASM-6X141.00 FJS/FJS90	
14	AG125137	1	HOSE ASM-8X102.00 FJS/FJS90	
15	AG125144	1	HOSE ASM-4X186.00 FJS/FJS	
16	AG130299	1	HOSE ASM-16 X 26.00 FJS/FJS90	
17	AG135585	1	HOSE ASM -6X40 FJS/8FJS90	
18	AG135588	1	HOSE ASM-16X71.00 FJS/FJS	
19	AG135590	1	HOSE ASM-20X18 FJS/FJS90L	
20	AG209672	1	HOSE ASM -4 32.00 R1AT	
21	AG224865	1	HOSE ASM -8 X 102.00 TEFLON/SS	[A]
22	AG231239	2	HOSE ASM -4 72.00 R1AT	
23	AG235781	1	HOSE ASM -8 X 44.00 FJS/FJS90	
24	AG239263	1	HOSE ASM -8X54 FJS/FJS90	
25	AG240964	1	HOSE ASM -8X32 FJS/FJS RIAT	
	FOOTNOTE [A]		AG223184 IS THE SAME TYPE OF HOSE IN A 72 IN LENGTH.	



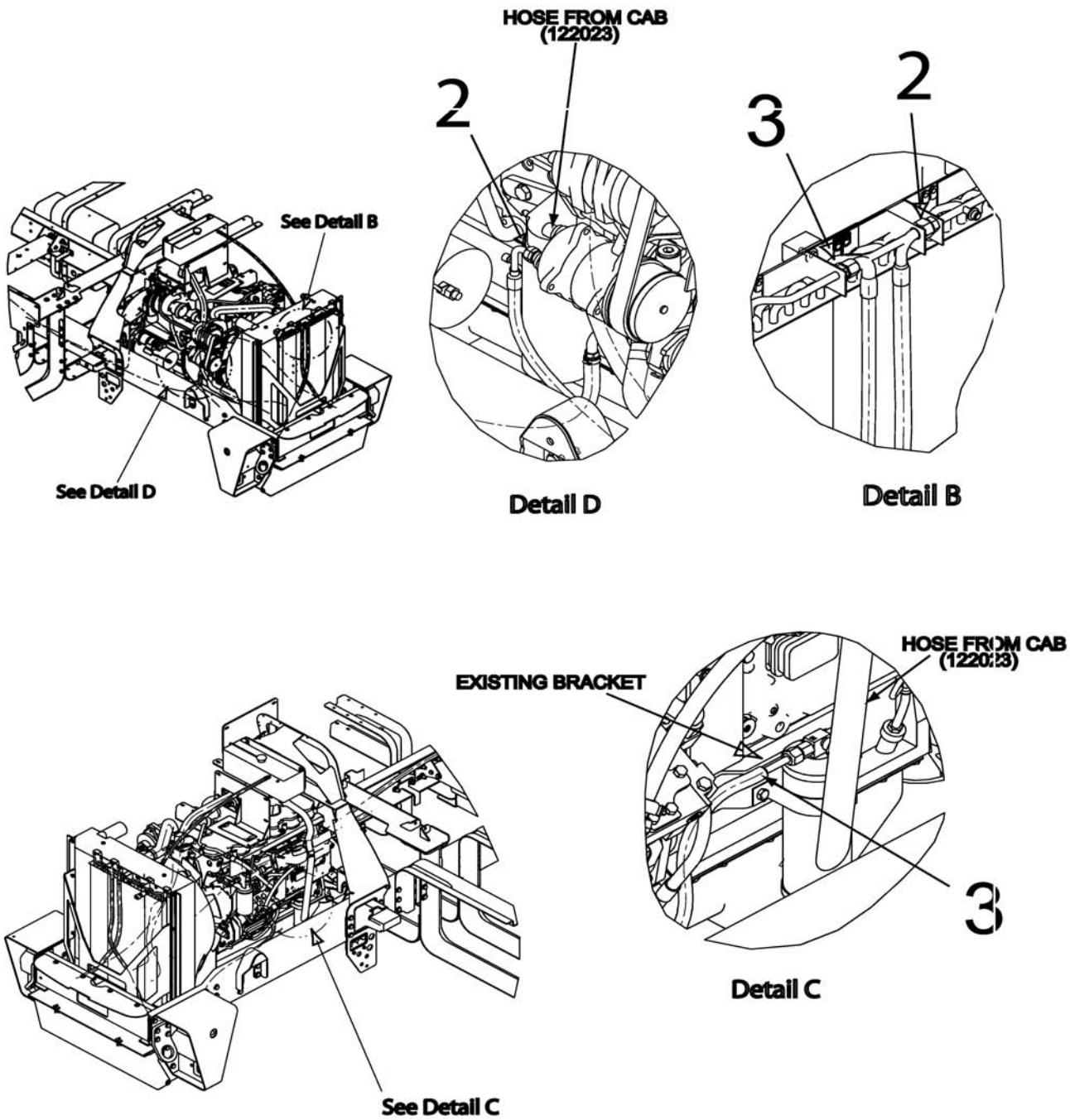
ITEM	PART #	QTY	DESCRIPTION	COMMENTS
1	AG130294	1	HOSE ASM -20 X 32.5 FJS/FJS	
2	AG122066	1	HOSE ASM A/C (R134A)-8X85.00	
3	AG122067	1	HOSE ASM A/C (R134A)-6X86.00	
4	AG122095	1	HOSE ASM -8X23.00 FJS/FJS90L	
5	AG122097	1	HOSE ASM -8X87.00 FJS/FJS90	
6	AG122102	1	HOSE ASM -8X57.00 FJS/FJS90	
7	AG122105	1	HOSE ASM -16X123.00 FJS/FJS	
9	AG122108	2	HOSE ASM -6X125.00 FJS/8FJS45	
10	AG122109	1	HOSE ASM -6X200.00 FJS/FJS	
11	AG122532	1	HOSE,ASM -4X44 FJX/-5 FJX90	
12	AG124722	1	HOSE ASM-8X 68.00 R1AT FJS/FJS	
13	AG125136	1	HOSE ASM-6X141.00 FJS/FJS90	
14	AG125137	1	HOSE ASM-8X102.00 FJS/FJS90	
15	AG125144	1	HOSE ASM-4X186.00 FJS/FJS	
16	AG130299	1	HOSE ASM-16 X 26.00 FJS/FJS90	
17	AG135585	1	HOSE ASM -6X40 FJS/8FJS90	
18	AG135588	1	HOSE ASM-16X71.00 FJS/FJS	
19	AG135590	1	HOSE ASM-20X18 FJS/FJS90L	
20	AG209672	1	HOSE ASM -4 32.00 R1AT	
21	AG224865	1	HOSE ASM -8 X 102.00 TEFLON/SS	[A]
22	AG231239	2	HOSE ASM -4 72.00 R1AT	
23	AG235781	1	HOSE ASM -8 X 44.00 FJS/FJS90	
24	AG239263	1	HOSE ASM -8X54 FJS/FJS90	
25	AG240964	1	HOSE ASM -8X32 FJS/FJS RIAT	
	FOOTNOTE [A]		AG223184 IS THE SAME TYPE OF HOSE IN A 72 IN LENGTH.	



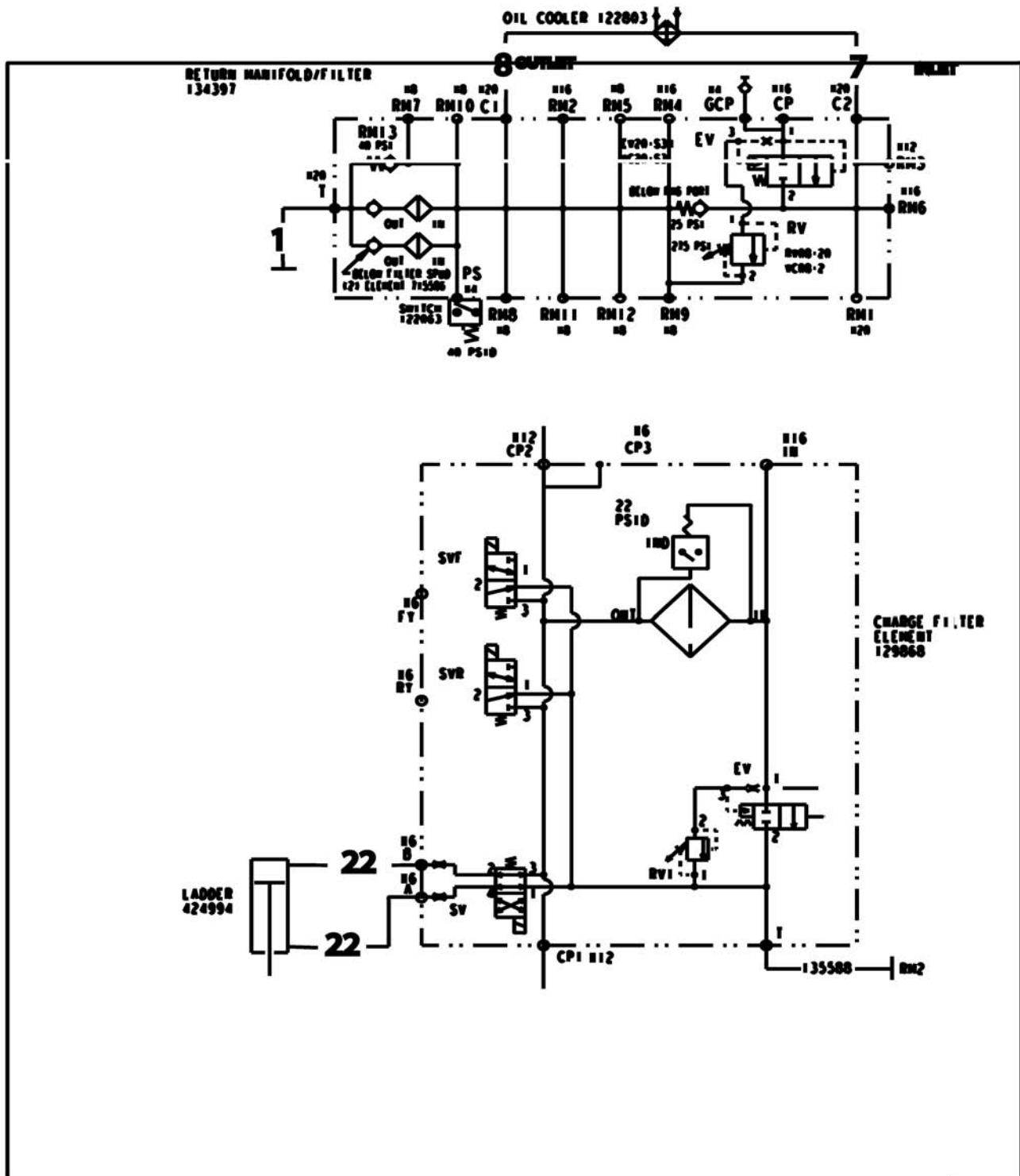
ITEM	PART #	QTY	DESCRIPTION	COMMENTS
1	AG130294	1	HOSE ASM -20 X 32.5 FJS/FJS	
2	AG122066	1	HOSE ASM A/C (R134A)-8X85.00	
3	AG122067	1	HOSE ASM A/C (R134A)-6X86.00	
4	AG122095	1	HOSE ASM -8X23.00 FJS/FJS90L	
5	AG122097	1	HOSE ASM -8X87.00 FJS/FJS90	
6	AG122102	1	HOSE ASM -8X57.00 FJS/FJS90	
7	AG122105	1	HOSE ASM -16X123.00 FJS/FJS	
9	AG122108	2	HOSE ASM -6X125.00 FJS/8FJS45	
10	AG122109	1	HOSE ASM -6X200.00 FJS/FJS	
11	AG122532	1	HOSE,ASM -4X44 FJX/-5 FJX90	
12	AG124722	1	HOSE ASM-8X 68.00 R1AT FJS/FJS	
13	AG125136	1	HOSE ASM-6X141.00 FJS/FJS90	
14	AG125137	1	HOSE ASM-8X102.00 FJS/FJS90	
15	AG125144	1	HOSE ASM-4X186.00 FJS/FJS	
16	AG130299	1	HOSE ASM-16 X 26.00 FJS/FJS90	
17	AG135585	1	HOSE ASM -6X40 FJS/8FJS90	
18	AG135588	1	HOSE ASM-16X71.00 FJS/FJS	
19	AG135590	1	HOSE ASM-20X18 FJS/FJS90L	
20	AG209672	1	HOSE ASM -4 32.00 R1AT	
21	AG224865	1	HOSE ASM -8 X 102.00 TEFLON/SS	[A]
22	AG231239	2	HOSE ASM -4 72.00 R1AT	
23	AG235781	1	HOSE ASM -8 X 44.00 FJS/FJS90	
24	AG239263	1	HOSE ASM -8X54 FJS/FJS90	
25	AG240964	1	HOSE ASM -8X32 FJS/FJS RIAT	
	FOOTNOTE [A]		AG223184 IS THE SAME TYPE OF HOSE IN A 72 IN LENGTH.	



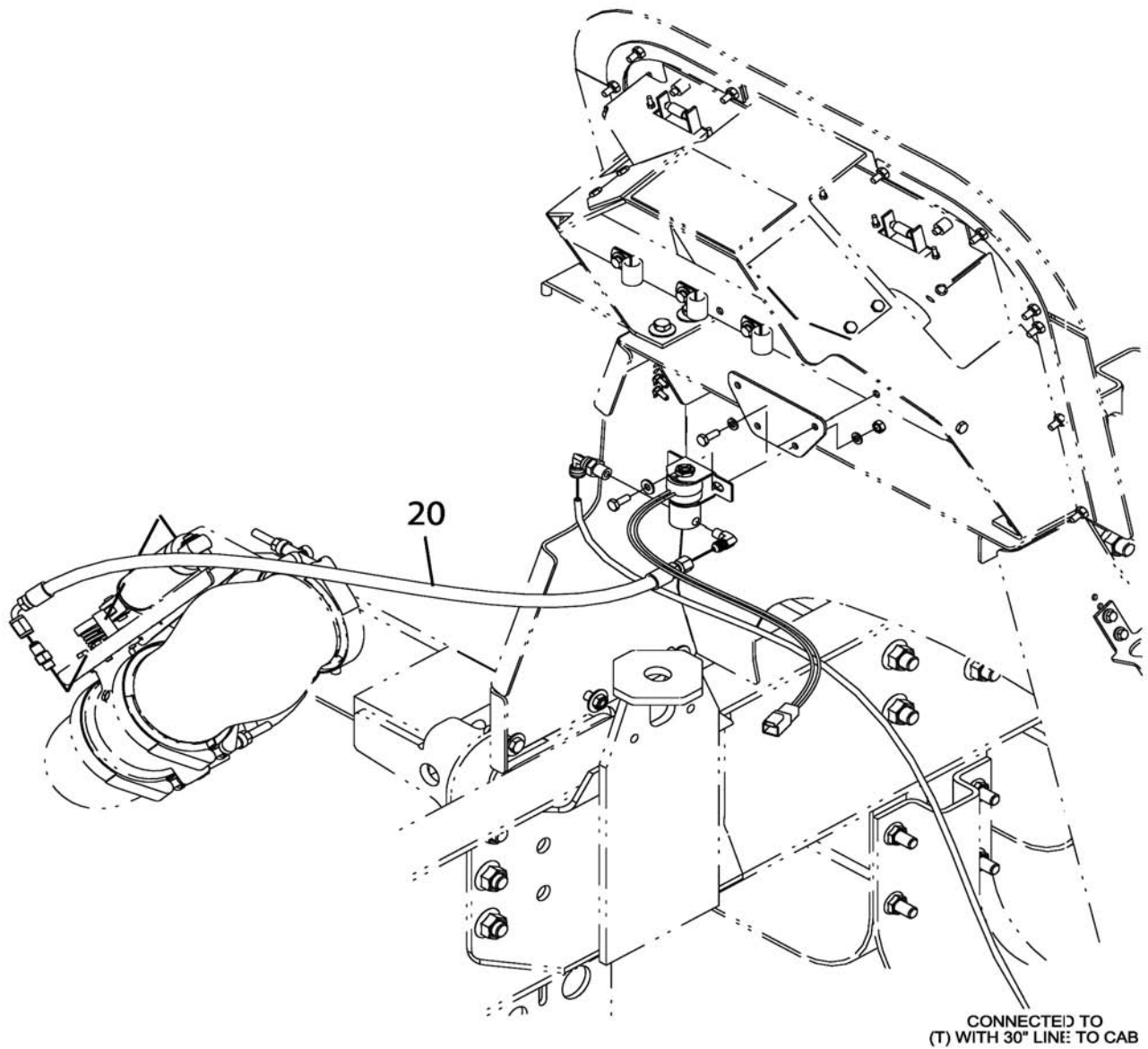
ITEM	PART #	QTY	DESCRIPTION	COMMENTS
1	AG130294	1	HOSE ASM -20 X 32.5 FJS/FJS	
2	AG122066	1	HOSE ASM A/C (R134A)-8X85.00	
3	AG122067	1	HOSE ASM A/C (R134A)-6X86.00	
4	AG122095	1	HOSE ASM -8X23.00 FJS/FJS90L	
5	AG122097	1	HOSE ASM -8X87.00 FJS/FJS90	
6	AG122102	1	HOSE ASM -8X57.00 FJS/FJS90	
7	AG122105	1	HOSE ASM -16X123.00 FJS/FJS	
9	AG122108	2	HOSE ASM -6X125.00 FJS/8FJS45	
10	AG122109	1	HOSE ASM -6X200.00 FJS/FJS	
11	AG122532	1	HOSE,ASM -4X44 FJX/-5 FJX90	
12	AG124722	1	HOSE ASM-8X 68.00 R1AT FJS/FJS	
13	AG125136	1	HOSE ASM-6X141.00 FJS/FJS90	
14	AG125137	1	HOSE ASM-8X102.00 FJS/FJS90	
15	AG125144	1	HOSE ASM-4X186.00 FJS/FJS	
16	AG130299	1	HOSE ASM-16 X 26.00 FJS/FJS90	
17	AG135585	1	HOSE ASM -6X40 FJS/8FJS90	
18	AG135588	1	HOSE ASM-16X71.00 FJS/FJS	
19	AG135590	1	HOSE ASM-20X18 FJS/FJS90L	
20	AG209672	1	HOSE ASM -4 32.00 R1AT	
21	AG224865	1	HOSE ASM -8 X 102.00 TEFLON/SS	[A]
22	AG231239	2	HOSE ASM -4 72.00 R1AT	
23	AG235781	1	HOSE ASM -8 X 44.00 FJS/FJS90	
24	AG239263	1	HOSE ASM -8X54 FJS/FJS90	
25	AG240964	1	HOSE ASM -8X32 FJS/FJS RIAT	
	FOOTNOTE [A]		AG223184 IS THE SAME TYPE OF HOSE IN A 72 IN LENGTH.	



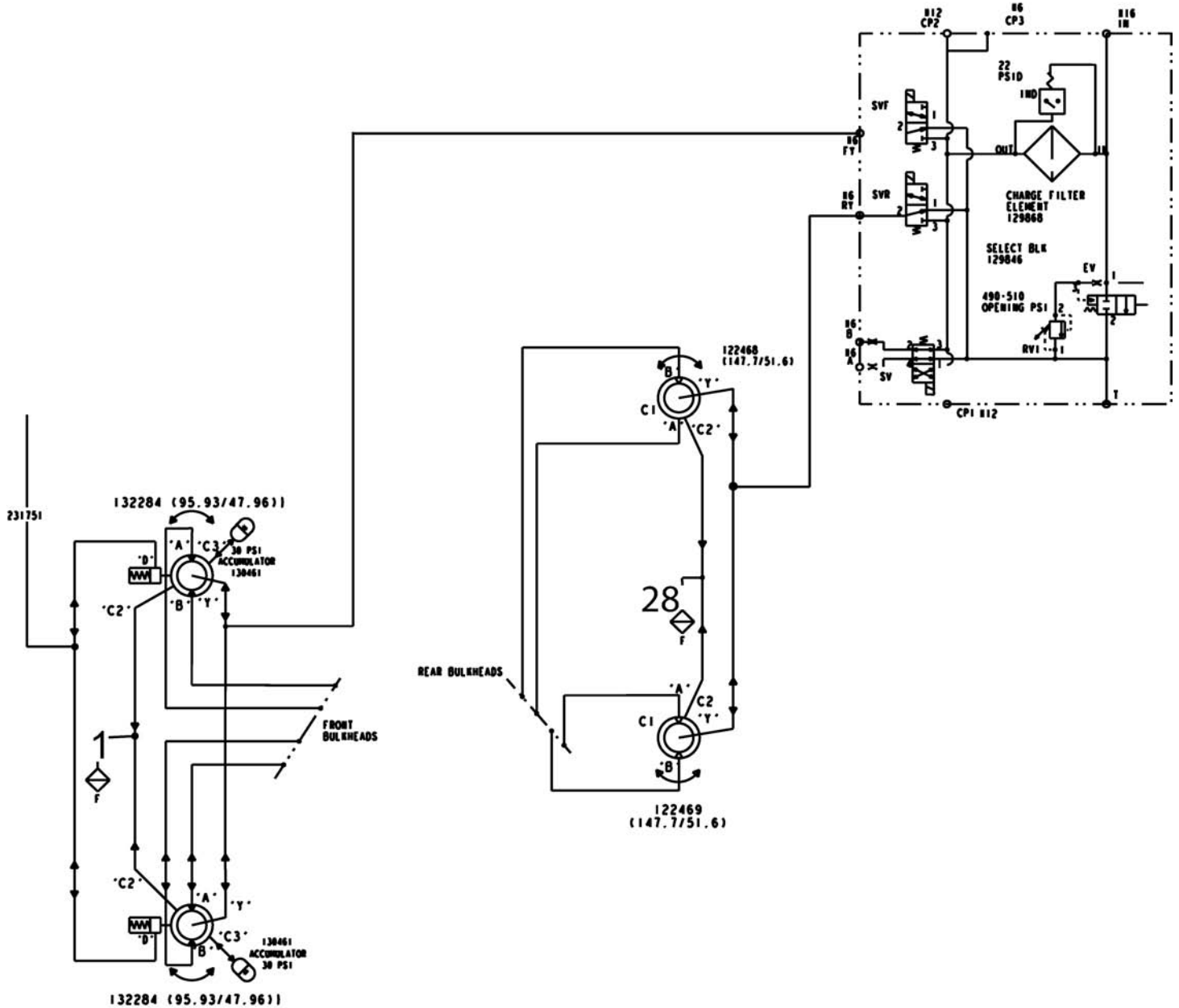
ITEM	PART #	QTY	DESCRIPTION	COMMENTS
1	AG130294	1	HOSE ASM -20 X 32.5 FJS/FJS	
2	AG122066	1	HOSE ASM A/C (R134A)-8X85.00	
3	AG122067	1	HOSE ASM A/C (R134A)-6X86.00	
4	AG122095	1	HOSE ASM -8X23.00 FJS/FJS90L	
5	AG122097	1	HOSE ASM -8X87.00 FJS/FJS90	
6	AG122102	1	HOSE ASM -8X57.00 FJS/FJS90	
7	AG122105	1	HOSE ASM -16X123.00 FJS/FJS	
9	AG122108	2	HOSE ASM -6X125.00 FJS/8FJS45	
10	AG122109	1	HOSE ASM -6X200.00 FJS/FJS	
11	AG122532	1	HOSE,ASM -4X44 FJX/-5 FJX90	
12	AG124722	1	HOSE ASM-8X 68.00 R1AT FJS/FJS	
13	AG125136	1	HOSE ASM-6X141.00 FJS/FJS90	
14	AG125137	1	HOSE ASM-8X102.00 FJS/FJS90	
15	AG125144	1	HOSE ASM-4X186.00 FJS/FJS	
16	AG130299	1	HOSE ASM-16 X 26.00 FJS/FJS90	
17	AG135585	1	HOSE ASM -6X40 FJS/8FJS90	
18	AG135588	1	HOSE ASM-16X71.00 FJS/FJS	
19	AG135590	1	HOSE ASM-20X18 FJS/FJS90L	
20	AG209672	1	HOSE ASM -4 32.00 R1AT	
21	AG224865	1	HOSE ASM -8 X 102.00 TEFLON/SS	[A]
22	AG231239	2	HOSE ASM -4 72.00 R1AT	
23	AG235781	1	HOSE ASM -8 X 44.00 FJS/FJS90	
24	AG239263	1	HOSE ASM -8X54 FJS/FJS90	
25	AG240964	1	HOSE ASM -8X32 FJS/FJS RIAT	
	FOOTNOTE [A]		AG223184 IS THE SAME TYPE OF HOSE IN A 72 IN LENGTH.	



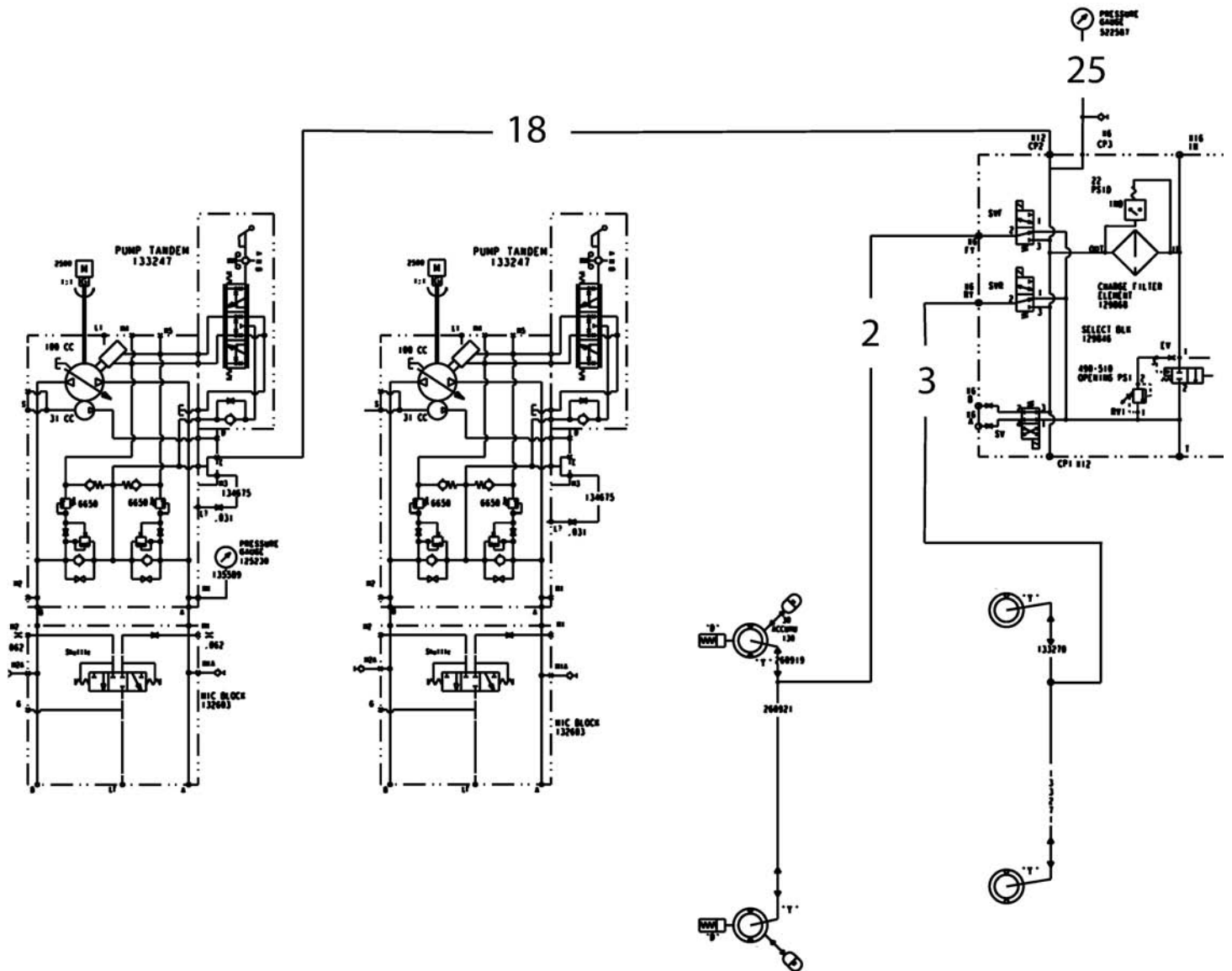
ITEM	PART #	QTY	DESCRIPTION	COMMENTS
1	AG130294	1	HOSE ASM -20 X 32.5 FJS/FJS	
2	AG122066	1	HOSE ASM A/C (R134A)-8X85.00	
3	AG122067	1	HOSE ASM A/C (R134A)-6X86.00	
4	AG122095	1	HOSE ASM -8X23.00 FJS/FJS90L	
5	AG122097	1	HOSE ASM -8X87.00 FJS/FJS90	
6	AG122102	1	HOSE ASM -8X57.00 FJS/FJS90	
7	AG122105	1	HOSE ASM -16X123.00 FJS/FJS	
9	AG122108	2	HOSE ASM -6X125.00 FJS/8FJS45	
10	AG122109	1	HOSE ASM -6X200.00 FJS/FJS	
11	AG122532	1	HOSE,ASM -4X44 FJX/-5 FJX90	
12	AG124722	1	HOSE ASM-8X 68.00 R1AT FJS/FJS	
13	AG125136	1	HOSE ASM-6X141.00 FJS/FJS90	
14	AG125137	1	HOSE ASM-8X102.00 FJS/FJS90	
15	AG125144	1	HOSE ASM-4X186.00 FJS/FJS	
16	AG130299	1	HOSE ASM-16 X 26.00 FJS/FJS90	
17	AG135585	1	HOSE ASM -6X40 FJS/8FJS90	
18	AG135588	1	HOSE ASM-16X71.00 FJS/FJS	
19	AG135590	1	HOSE ASM-20X18 FJS/FJS90L	
20	AG209672	1	HOSE ASM -4 32.00 R1AT	
21	AG224865	1	HOSE ASM -8 X 102.00 TEFLON/SS	[A]
22	AG231239	2	HOSE ASM -4 72.00 R1AT	
23	AG235781	1	HOSE ASM -8 X 44.00 FJS/FJS90	
24	AG239263	1	HOSE ASM -8X54 FJS/FJS90	
25	AG240964	1	HOSE ASM -8X32 FJS/FJS RIAT	
	FOOTNOTE [A]		AG223184 IS THE SAME TYPE OF HOSE IN A 72 IN LENGTH.	



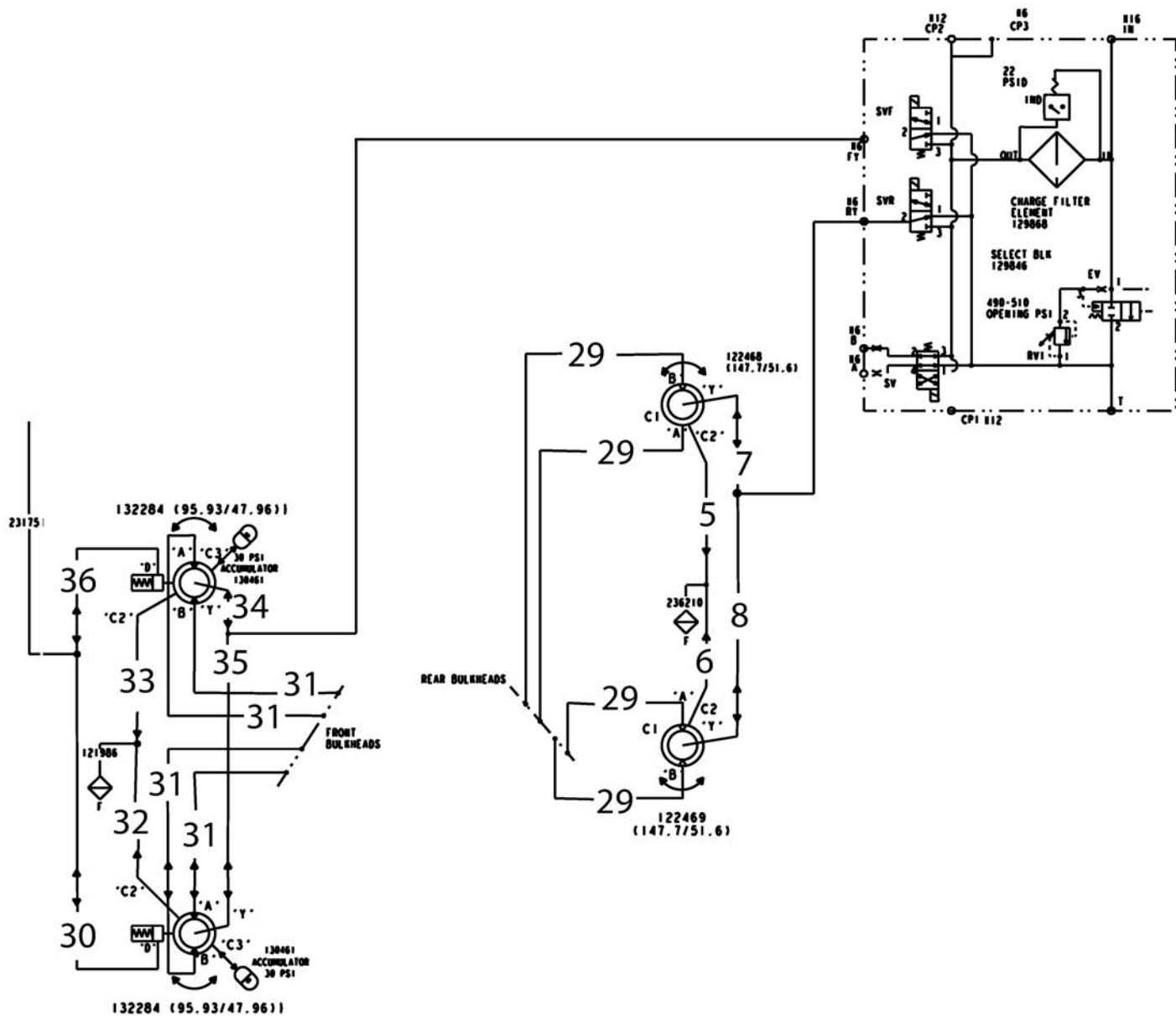
ITEM	PART #	QTY	DESCRIPTION	COMMENTS
1	AG130294	1	HOSE ASM -20 X 32.5 FJS/FJS	
2	AG122066	1	HOSE ASM A/C (R134A)-8X85.00	
3	AG122067	1	HOSE ASM A/C (R134A)-6X86.00	
4	AG122095	1	HOSE ASM -8X23.00 FJS/FJS90L	
5	AG122097	1	HOSE ASM -8X87.00 FJS/FJS90	
6	AG122102	1	HOSE ASM -8X57.00 FJS/FJS90	
7	AG122105	1	HOSE ASM -16X123.00 FJS/FJS	
9	AG122108	2	HOSE ASM -6X125.00 FJS/8FJS45	
10	AG122109	1	HOSE ASM -6X200.00 FJS/FJS	
11	AG122532	1	HOSE,ASM -4X44 FJX/-5 FJX90	
12	AG124722	1	HOSE ASM-8X 68.00 R1AT FJS/FJS	
13	AG125136	1	HOSE ASM-6X141.00 FJS/FJS90	
14	AG125137	1	HOSE ASM-8X102.00 FJS/FJS90	
15	AG125144	1	HOSE ASM-4X186.00 FJS/FJS	
16	AG130299	1	HOSE ASM-16 X 26.00 FJS/FJS90	
17	AG135585	1	HOSE ASM -6X40 FJS/8FJS90	
18	AG135588	1	HOSE ASM-16X71.00 FJS/FJS	
19	AG135590	1	HOSE ASM-20X18 FJS/FJS90L	
20	AG209672	1	HOSE ASM -4 32.00 R1AT	
21	AG224865	1	HOSE ASM -8 X 102.00 TEFLON/SS	[A]
22	AG231239	2	HOSE ASM -4 72.00 R1AT	
23	AG235781	1	HOSE ASM -8 X 44.00 FJS/FJS90	
24	AG239263	1	HOSE ASM -8X54 FJS/FJS90	
25	AG240964	1	HOSE ASM -8X32 FJS/FJS RIAT	
	FOOTNOTE [A]		AG223184 IS THE SAME TYPE OF HOSE IN A 72 IN LENGTH.	



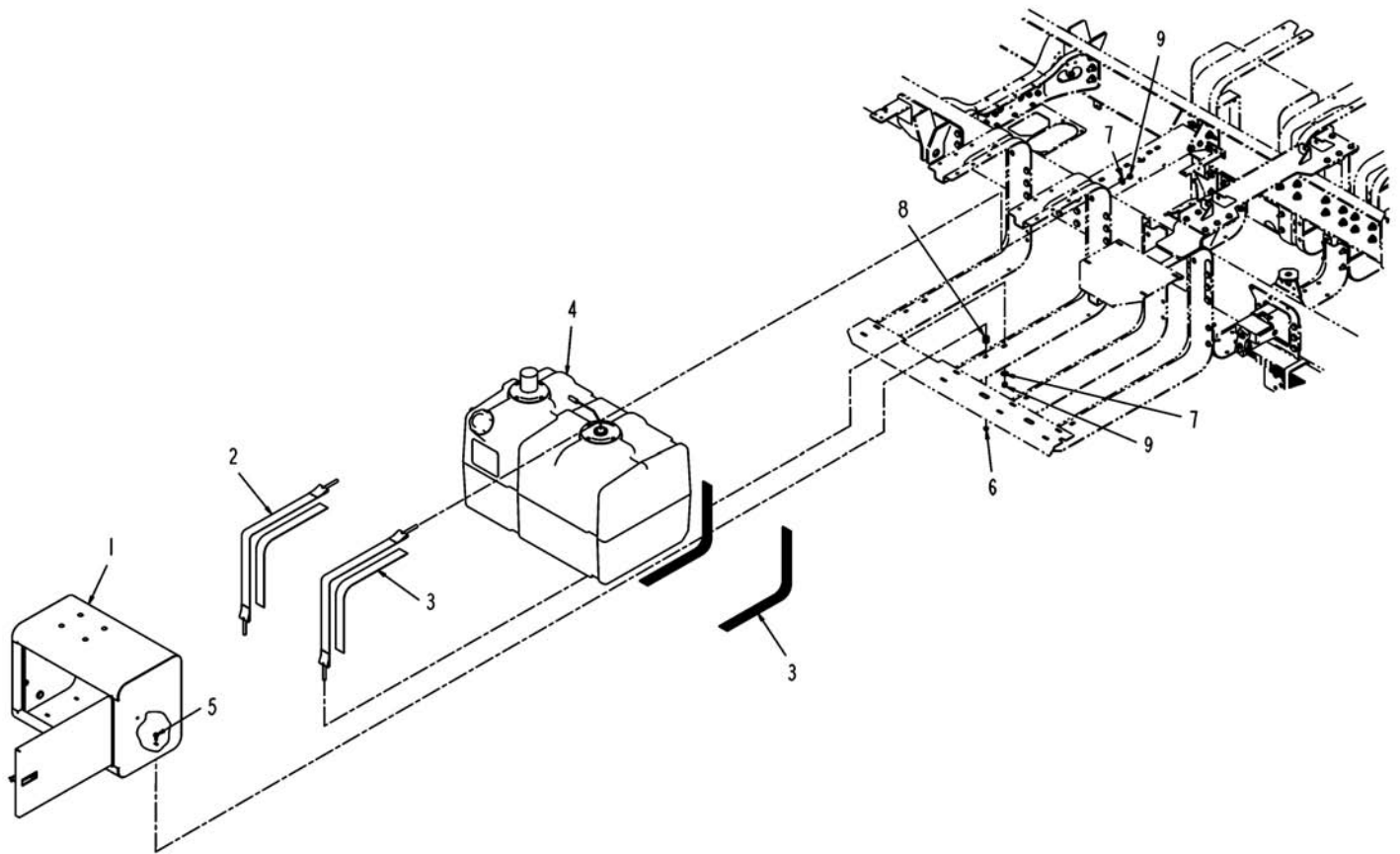
ITEM	PART #	QTY	DESCRIPTION	COMMENTS
1	AG121986	1	HOSE ASM -12X121.00 FJS/FJS	
2	AG125125	1	HOSE ASM-6X31.00 FJS90/FJS	
3	AG133263	1	HOSE ASM -6X127.00 FJS/FJS90L	
4	AG133268	1	HOSE ASM -8X88.00 FJS/FJS90	
5	AG133269	1	HOSE ASM -8X116.00 FJS/FJS90	
6	AG133270	1	HOSE ASM -4X90.00 FJS/FJS90	
7	AG133271	1	HOSE ASM -4X122.00 FJS/FJS90	
8	AG135570	1	HOSE ASM-12X43 FORFS/16FORFS	
9	AG135571	1	HOSE ASM-12X129 FORFS/16FORFS	
10	AG135572	1	HOSE ASM-12X46.5 FORFS/16FORFS	
11	AG135573	1	HOSE ASM-12X132 FORFS/16FORFS	
12	AG135574	1	HOSE ASM-12X37.50FORFS/16FROFS	
13	AG135575	1	HOSE ASM-12X89.5 FORFS/16FORFS	
14	AG135576	1	HOSE ASM-12X35 FORFS/16FORFS	
15	AG135577	1	HOSE ASM-12X92 FORFS/12FORFS	
16	AG135578	1	HOSE ASM-12X33 FJS/16FJS90	
17	AG135579	1	HOSE ASM-12X27.00 FJS/FJS	
18	AG135580	1	HOSE ASM-12X45.00 FJS/16FJS	
19	AG135581	1	HOSE ASM-12X38.00 FJS/FJS	
20	AG135582	1	HOSE ASM-20X43 FJS90L/FJS	
21	AG135583	1	HOSE ASM-20X28 FJS90L/FJS	
22	AG135584	1	HOSE ASM-16X34 FJS/FJS45	
23	AG135586	1	HOSE ASM-16X48 FJS/FJS45	
24	AG135587	1	HOSE ASM -4X96 6FJS/FJS	
25	AG135589	1	HOSE ASM -4X82.00 6FJS/FJS	
26	AG236210	1	HOSE ASM -12X32.00 FJS/FJS90	
27	AG237290	4	HOSE ASM -12X85,FORFS/FL90	
28	AG237293	1	HOSE ASM -6X136.00,FJS/FJS90	
29	AG260060	4	HOSE ASM -12X97.00 FORFS/FL90	
30	AG260063	1	HOSE ASM -8X129.00 FJS/FJS90	
31	AG260107	1	HOSE ASM -8X98.00 FJS/FJS90	
32	AG260919	1	HOSE ASM -4X99.00 FJS/FJS90	
33	AG260921	1	HOSE ASM -4X132.00 FJS/FJS90	
34	AG261515	1	HOSE ASM -6X109.00 FJS/FJS90	



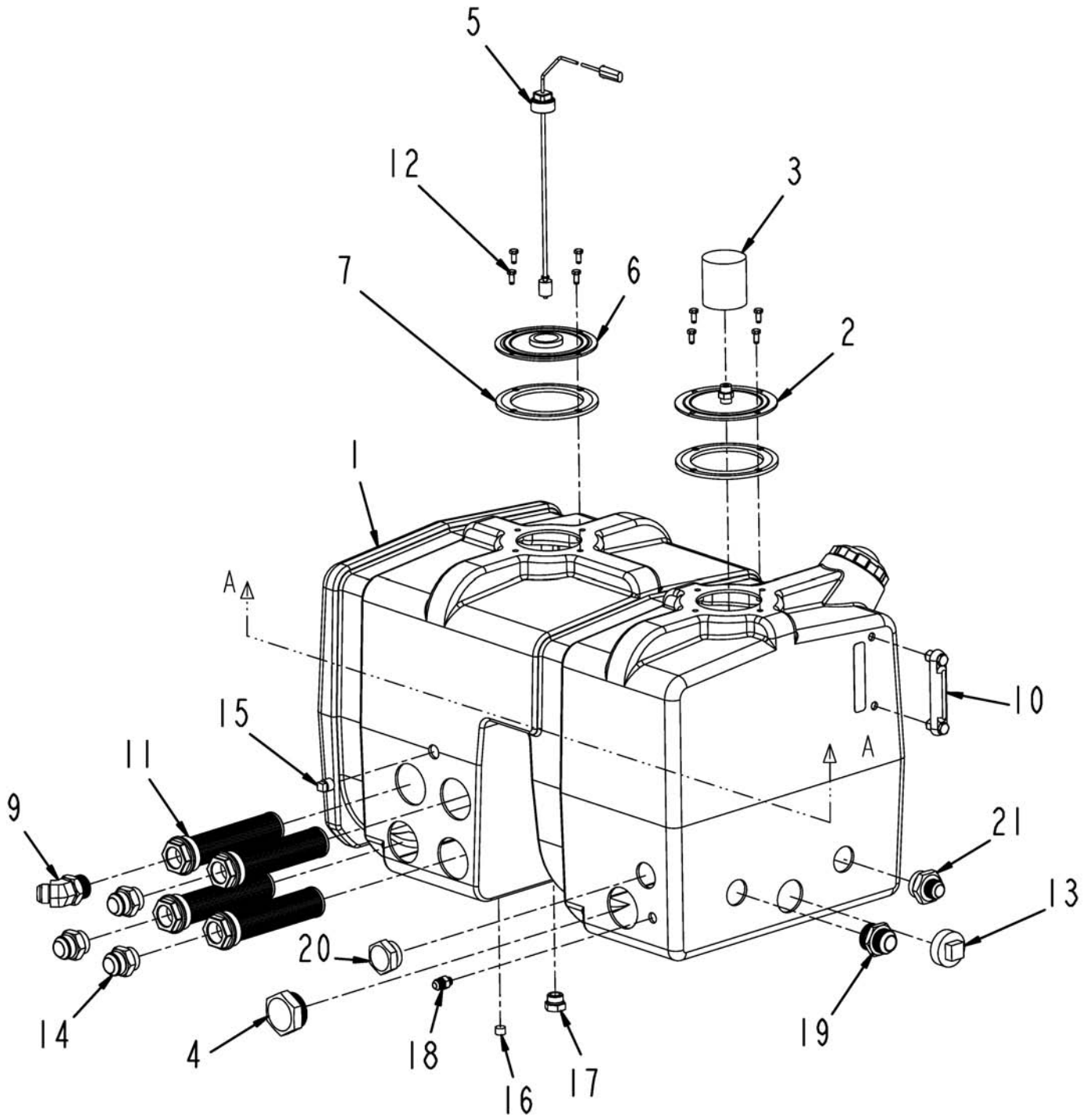
ITEM	PART #	QTY	DESCRIPTION	COMMENTS
1	AG121986	1	HOSE ASM -12X121.00 FJS/FJS	
2	AG125125	1	HOSE ASM-6X31.00 FJS90/FJS	
3	AG133263	1	HOSE ASM -6X127.00 FJS/FJS90L	
4	AG133268	1	HOSE ASM -8X88.00 FJS/FJS90	
5	AG133269	1	HOSE ASM -8X116.00 FJS/FJS90	
6	AG133270	1	HOSE ASM -4X90.00 FJS/FJS90	
7	AG133271	1	HOSE ASM -4X122.00 FJS/FJS90	
8	AG135570	1	HOSE ASM-12X43 FORFS/16FORFS	
9	AG135571	1	HOSE ASM-12X129 FORFS/16FORFS	
10	AG135572	1	HOSE ASM-12X46.5 FORFS/16FORFS	
11	AG135573	1	HOSE ASM-12X132 FORFS/16FORFS	
12	AG135574	1	HOSE ASM-12X37.50FORFS/16FROFS	
13	AG135575	1	HOSE ASM-12X89.5 FORFS/16FORFS	
14	AG135576	1	HOSE ASM-12X35 FORFS/16FORFS	
15	AG135577	1	HOSE ASM-12X92 FORFS/12FORFS	
16	AG135578	1	HOSE ASM-12X33 FJS/16FJS90	
17	AG135579	1	HOSE ASM-12X27.00 FJS/FJS	
18	AG135580	1	HOSE ASM-12X45.00 FJS/16FJS	
19	AG135581	1	HOSE ASM-12X38.00 FJS/FJS	
20	AG135582	1	HOSE ASM-20X43 FJS90L/FJS	
21	AG135583	1	HOSE ASM-20X28 FJS90L/FJS	
22	AG135584	1	HOSE ASM-16X34 FJS/FJS45	
23	AG135586	1	HOSE ASM-16X48 FJS/FJS45	
24	AG135587	1	HOSE ASM -4X96 6FJS/FJS	
25	AG135589	1	HOSE ASM -4X82.00 6FJS/FJS	
26	AG236210	1	HOSE ASM -12X32.00 FJS/FJS90	
27	AG237290	4	HOSE ASM -12X85,FORFS/FL90	
28	AG237293	1	HOSE ASM -6X136.00,FJS/FJS90	
29	AG260060	4	HOSE ASM -12X97.00 FORFS/FL90	
30	AG260063	1	HOSE ASM -8X129.00 FJS/FJS90	
31	AG260107	1	HOSE ASM -8X98.00 FJS/FJS90	
32	AG260919	1	HOSE ASM -4X99.00 FJS/FJS90	
33	AG260921	1	HOSE ASM -4X132.00 FJS/FJS90	
34	AG261515	1	HOSE ASM -6X109.00 FJS/FJS90	



ITEM	PART #	QTY	DESCRIPTION	COMMENTS
1	AG121986	1	HOSE ASM -12X121.00 FJS/FJS	
2	AG125125	1	HOSE ASM-6X31.00 FJS90/FJS	
3	AG133263	1	HOSE ASM -6X127.00 FJS/FJS90L	
4	AG133268	1	HOSE ASM -8X88.00 FJS/FJS90	
5	AG133269	1	HOSE ASM -8X116.00 FJS/FJS90	
6	AG133270	1	HOSE ASM -4X90.00 FJS/FJS90	
7	AG133271	1	HOSE ASM -4X122.00 FJS/FJS90	
8	AG135570	1	HOSE ASM-12X43 FORFS/16FORFS	
9	AG135571	1	HOSE ASM-12X129 FORFS/16FORFS	
10	AG135572	1	HOSE ASM-12X46.5 FORFS/16FORFS	
11	AG135573	1	HOSE ASM-12X132 FORFS/16FORFS	
12	AG135574	1	HOSE ASM-12X37.50FORFS/16FROFS	
13	AG135575	1	HOSE ASM-12X89.5 FORFS/16FORFS	
14	AG135576	1	HOSE ASM-12X35 FORFS/16FORFS	
15	AG135577	1	HOSE ASM-12X92 FORFS/12FORFS	
16	AG135578	1	HOSE ASM-12X33 FJS/16FJS90	
17	AG135579	1	HOSE ASM-12X27.00 FJS/FJS	
18	AG135580	1	HOSE ASM-12X45.00 FJS/16FJS	
19	AG135581	1	HOSE ASM-12X38.00 FJS/FJS	
20	AG135582	1	HOSE ASM-20X43 FJS90L/FJS	
21	AG135583	1	HOSE ASM-20X28 FJS90L/FJS	
22	AG135584	1	HOSE ASM-16X34 FJS/FJS45	
23	AG135586	1	HOSE ASM-16X48 FJS/FJS45	
24	AG135587	1	HOSE ASM -4X96 6FJS/FJS	
25	AG135589	1	HOSE ASM -4X82.00 6FJS/FJS	
26	AG236210	1	HOSE ASM -12X32.00 FJS/FJS90	
27	AG237290	4	HOSE ASM -12X85,FORFS/FL90	
28	AG237293	1	HOSE ASM -6X136.00,FJS/FJS90	
29	AG260060	4	HOSE ASM -12X97.00 FORFS/FL90	
30	AG260063	1	HOSE ASM -8X129.00 FJS/FJS90	
31	AG260107	1	HOSE ASM -8X98.00 FJS/FJS90	
32	AG260919	1	HOSE ASM -4X99.00 FJS/FJS90	
33	AG260921	1	HOSE ASM -4X132.00 FJS/FJS90	
34	AG261515	1	HOSE ASM -6X109.00 FJS/FJS90	

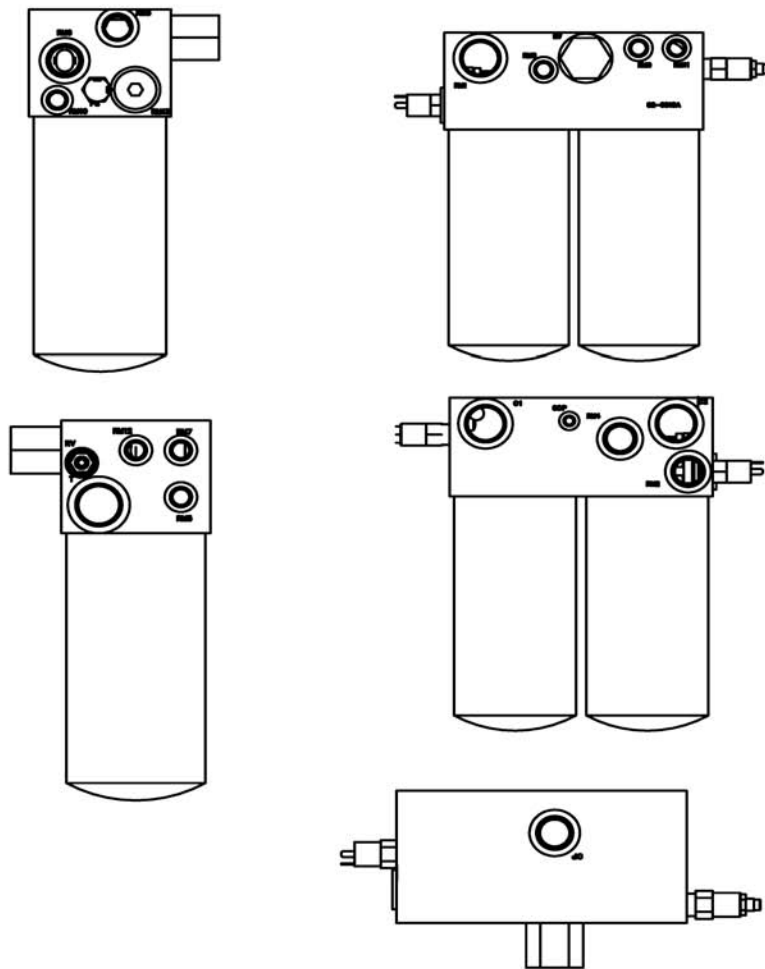


ITEM	PART #	QTY	DESCRIPTION	COMMENTS
1	AG121586	1	CABINET ASM	SEE PAGE 10-1
2	AG121830	2	STRAP WLDMT-HYD TANK	
3	AG122764	4	MATTING-RUBBER,2.00X38.00X.12	
4	AG135350	1	TANK ASM-HYD 60 GAL	SEE PAGE 5-45
5	AG520602	6	BOLT-.38-16X1.00,G5,S,FLG,HHD	
6	AG520885	6	NUT-.38-16,G5,ZN,FLG,H	
7	AG550353	4	WASHER 0.50 FL ZN REG TYPE-B	
8	AG551007	AR	WASHER FL 0.37 ZN REG TYPE-B	
9	AG601152	4	NUT 0.50-13NC HEX ZN REG NY	

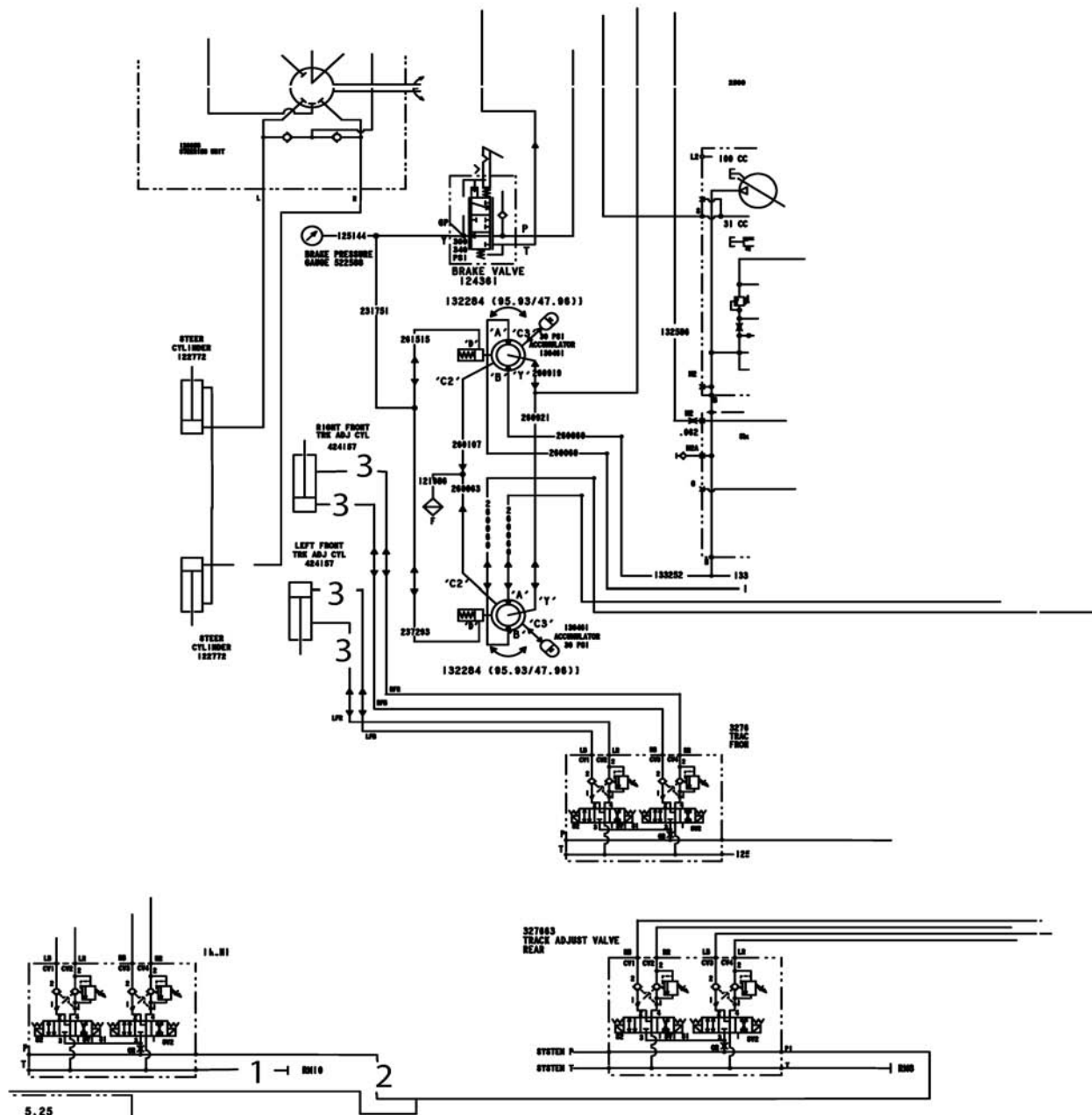


ITEM	PART #	QTY	DESCRIPTION	COMMENTS
1	AG121582	1	RESERVOIR-HYD 60 GAL	SEE PAGE 5-3
2	AG121591	1	COVER,CLEAN OUT,W/BRTHR ADPTR	
3	AG121778	1	FILTER BREATHER,HYD. TANK	
4	AG121806	1	PLUG -32MB HEX	
5	AG124723	1	SWITCH-LEVEL,HYDRAULIC	
6	AG124732	1	COVER,CLEANOUT,W1-1/4 NPT	
7	AG136400	2	GASKET-COVER,HYD TANK	
8	AG513916	AR	LOCTITE HYD SEALANT BROWN	
9	AG515065	1	ELBOW -20MBX-16MJ45	[A]
10	AG519570	1	INDICATOR HYD FLUID LEVEL	
11	AG520617	4	STRAINER-SUCTION 2.50	
12	AG550183	1	BOLT 0.31-18NCX 0.75 G5 ZN HHD	
13	AG550833	1	PLUG PIPE 2.00 SQ HD NPT	[B]
14	AG552186	3	ADAP STR-20MBX-20MJ	[C]
15	AG557307	1	PLUG PIPE .50 SQ HD SOLID PL	
16	AG561081	1	PLUG PIPE .37 HEX S0C NPT STL	
17	AG561879	1	PLUG 0.75MO-R HEX	[D]
18	AG562372	1	ADAP STR 0.37MO-R X 0.50MJIC	
19	AG562393	1	ADAP STR 1.50MO-R X 1.25MJIC	
20	AG562568	1	PLUG 1.50 MO-R HEX	
21	AG713265	1	ADAPTER STR	
	FOOTNOTE [A]		COOLER SIDE O-RING- AG723297	
	FOOTNOTE [B]		IS NOW REPLACED BY A TANK HEATER AG516461 ON 854	
	FOOTNOTE [B]		ALSO REQUIRES NPT PIPE BUSHING AG552291 AND LOCTITE AG513916	
	FOOTNOTE [C]		AG714806-O-RING	
	FOOTNOTE [D]		AG562511 O-RING	

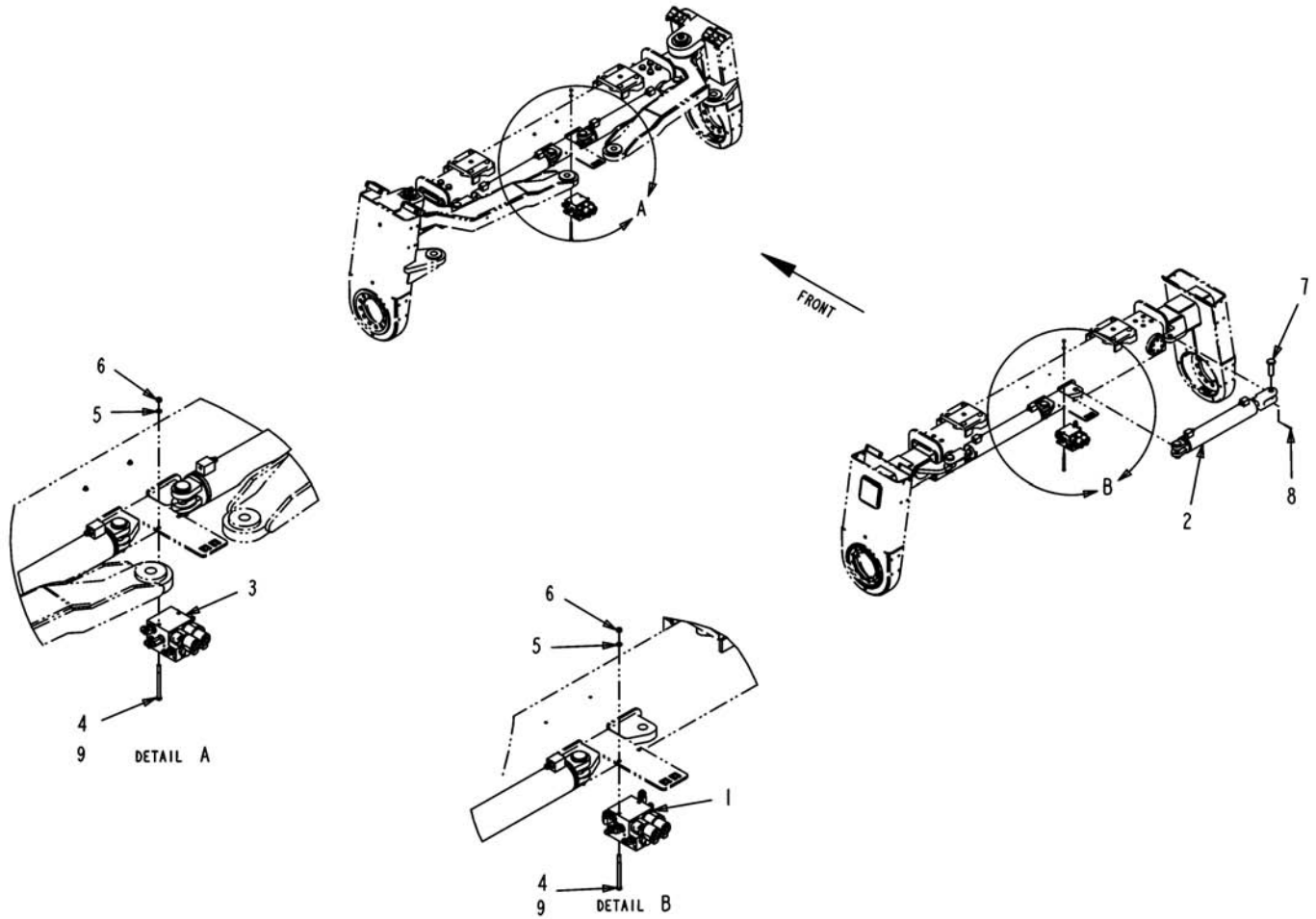
SERVICEABLE PARTS LIST				
CAVITY	AG-CHEM P/N		DESCRIPTION	AG-CHEM SEAL KIT P/N
RM6, RM13	122065		FILTER CHECK VALVE	N/A
RM13	122064		#16 SAE PLUG	N/A
RVI	134676		#08 RELIEF, DIFFERENTIAL AREA POPPET	121490
EV	723449		#20 VENNTED SPOOL-TYPE LOGIC ELEMENT	121390
PS	122063		LOW PRESSURE SWITCH	N/A
FILTER	715586		ELEMENT FILTER	N/A



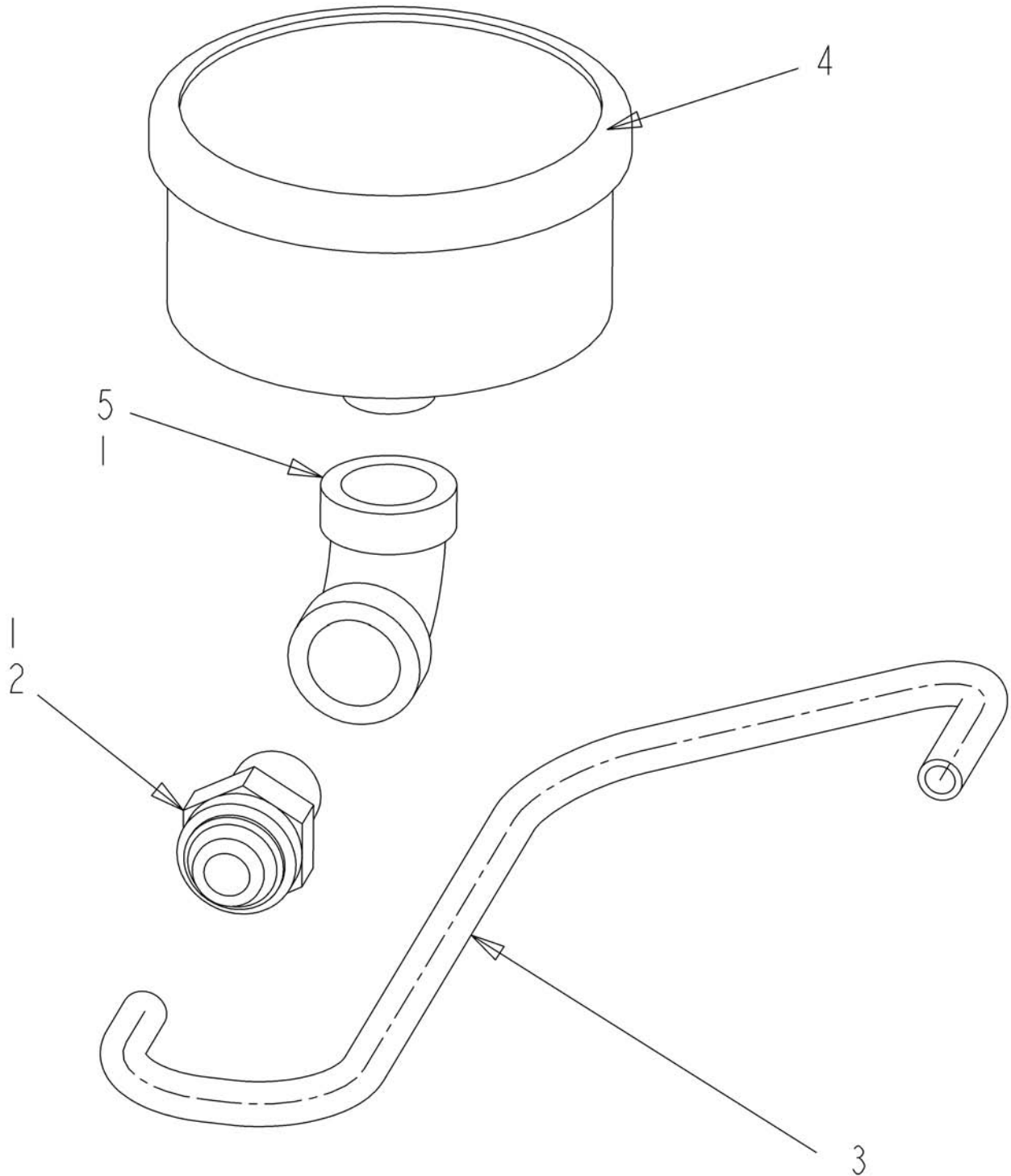
ITEM	PART #	QTY	DESCRIPTION	COMMENTS
REF	AG122064	-	PLUG-SAE-16 ORB FLUSH	[A]
REF	AG122065	-	VALVE-CHECK,FILTER	[B]
REF	WR21390	-	ROUND-C1018, .375 DIA X	
REF	WR21490	-	RECT-HRS, .250 X 2.50 X	
REF	WR22063	-	PIN-STRSPRF, 1.250 DIA X	
REF	WR34676	-	LATTICE-BOOM,58.02 LG	
REF	AG715586	-	ELEMENT FILTER	
REF	AG723449	-	CARTRIDGE-HYD RELIEF	[C]
	FOOTNOTE [A]		# 16 SAE PLUG FOR CAVITY RM13	
	FOOTNOTE [B]		FILTER CHECK VALVE FOR CAVITY RM6 AND RM13	
	FOOTNOTE [C]		AG725658 - ORIFICE	



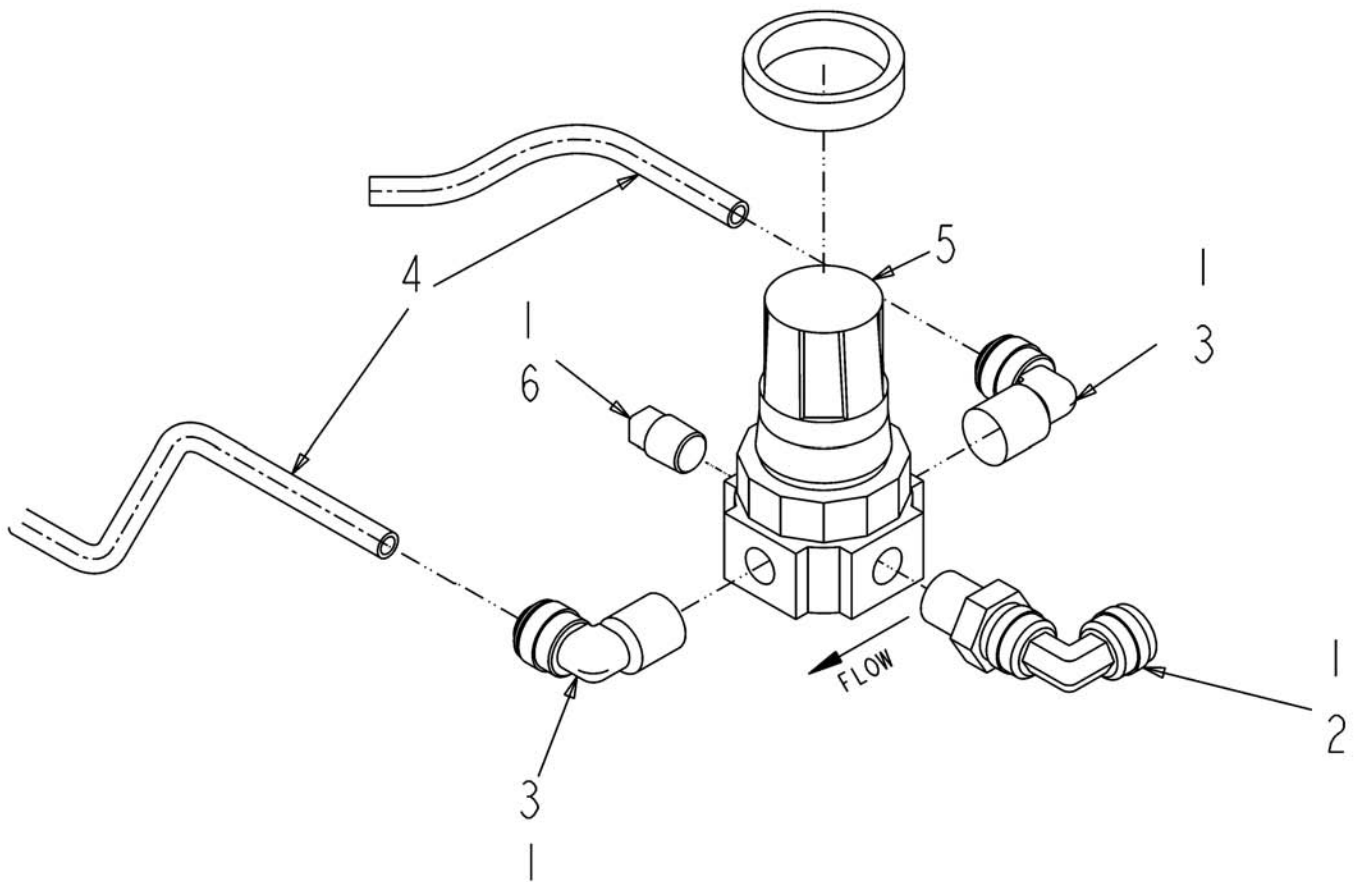
ITEM	PART #	QTY	DESCRIPTION	COMMENTS
1	AG125138	1	HOSE ASM-8X107.00 FJS/FJS45	
2	AG203866	1	HOSE ASM -6 60.00 R1AT	
3	AG220601	8	HOSE ASM -6 28.00 R1AT	



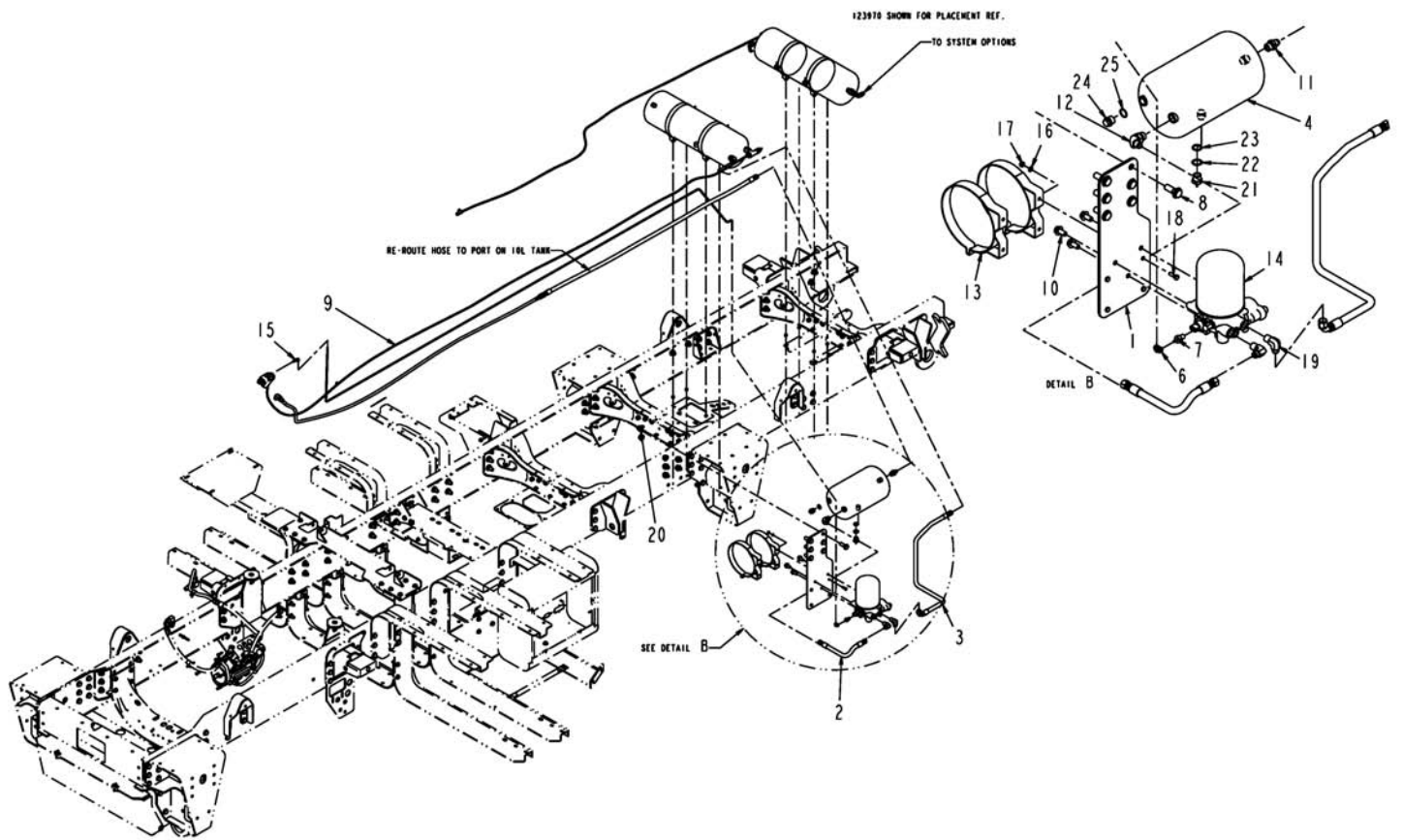
ITEM	PART #	QTY	DESCRIPTION	COMMENTS
1	AG121981	1	TRACK ADJ BLOCK ASM-REAR	SEE PAGE 5-5
2	AG122204	4	CYLINDER ASM-TRACK	SEE PAGE 5-15
3	AG124736	1	TRACK ADJ BLOCK ASM-FRONT	SEE PAGE 5-17
4	AG512885	AR	LOCTITE ADHESIVE SEALANT BLUE	
5	AG550205	4	WASHER LK 0.31 ZN REG	
6	AG550213	4	NUT 0.31-18NC HEX ZN REG	
7	AG554308	8	PIN CLEVIS 1.00X3.50 ZN	
8	AG559768	8	PIN COTTER 0.18X1.75 ZN	
9	AG561067	4	BOLT 0.31-18NCX 4.50 G5 ZN HHD	



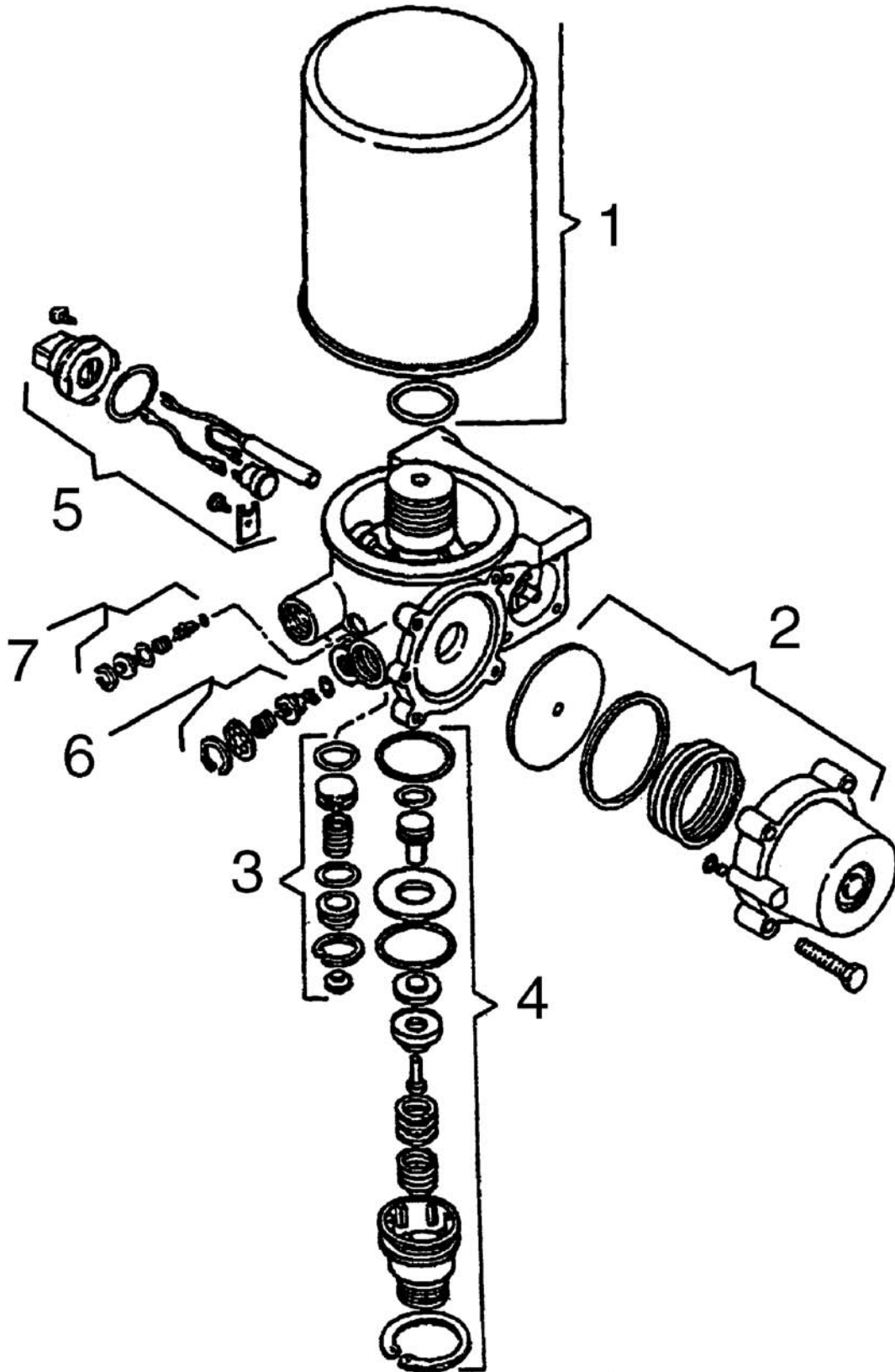
ITEM	PART #	QTY	DESCRIPTION	COMMENTS
1	AG513916	AR	LOCTITE HYD SEALANT BROWN	
2	AG516233	1	CONN STR .25 TUBE X .25 NPT AL	
3	AG518622	-	TUBING AIRLINE 0.25OD POLTHN [BULK: 8.000 FT]	
4	AG521934	1	GAUGE-PRESS,0-7 BAR/100PSI	
5	AG562693	1	ELBOW 90DEG 1/4 NPT 304SS	
	FOOTNOTE:		GUAGE ONLY - AG521934.	



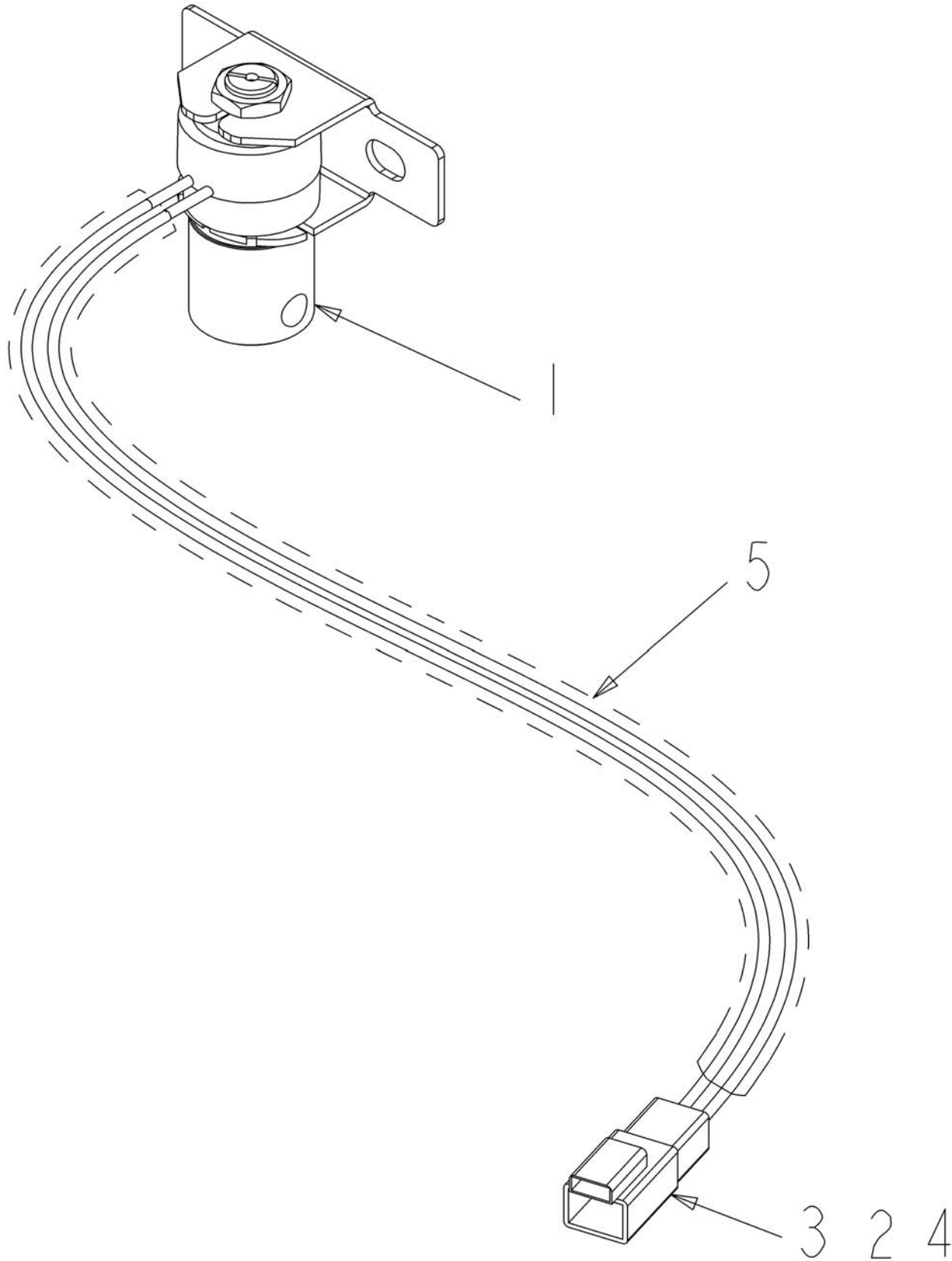
ITEM	PART #	QTY	DESCRIPTION	COMMENTS
1	AG513916	AR	LOCTITE HYD SEALANT BROWN	
2	AG516642	1	ELBOW 90D 0.25TUBE X0.12NPT	
3	AG516643	2	ELBOW 90D 0.25TUBE X0.25NPT	
4	AG518622	-	TUBING AIRLINE 0.25OD POLTHN [BULK: 0 FT]	
5	AG520889	1	REGULATOR-MINIATURE 0-60 PSI	
6	AG551627	1	PLUG PIPE .12SQ HD NPT ST ZN	



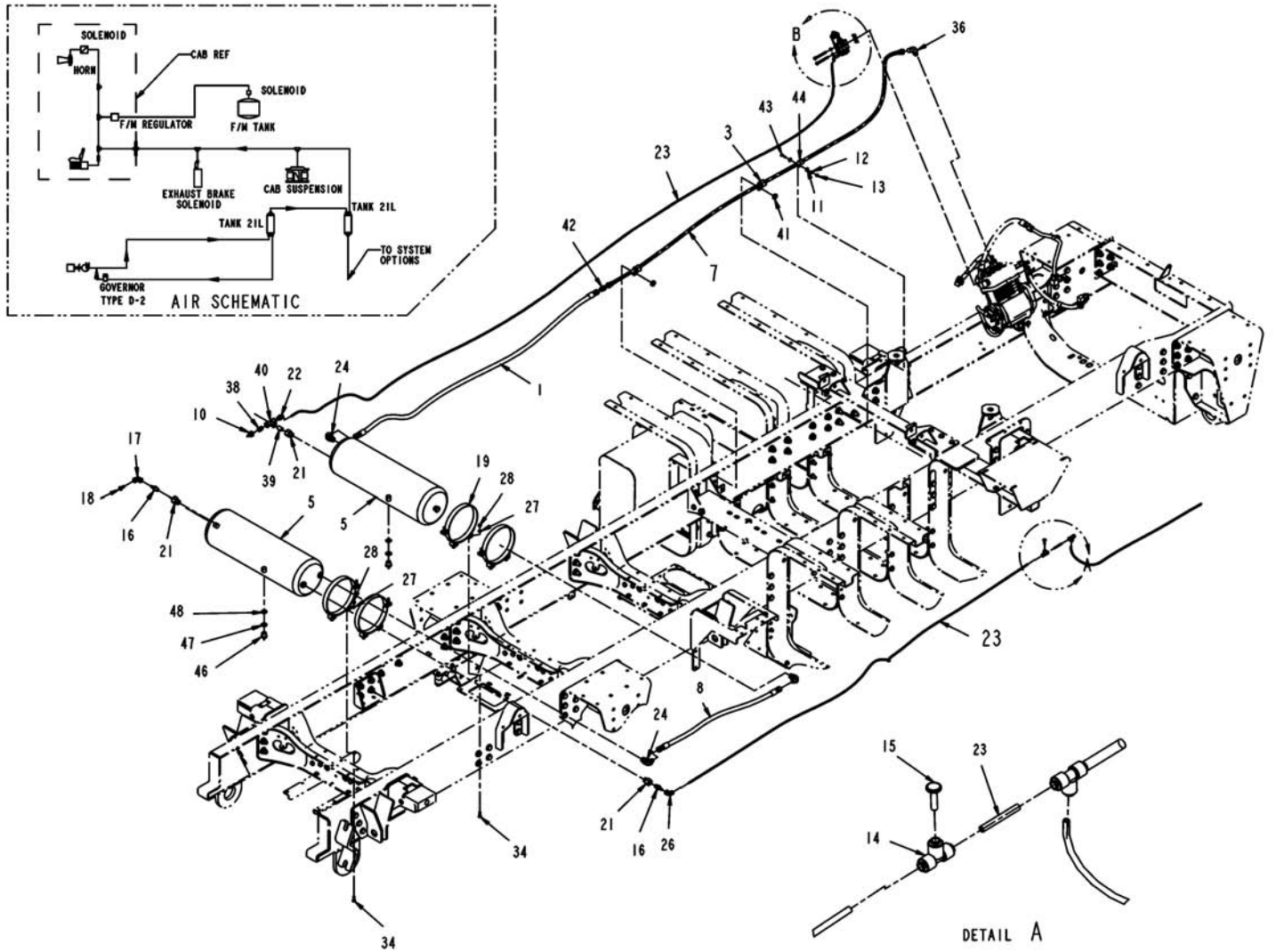
ITEM	PART #	QTY	DESCRIPTION	COMMENTS
1	AG124353	1	PLATE-MTG,AIR DRYER/TANK	
2	AG124724	1	HOSE ASM-8X14.00 FJS/FJS	
3	AG124725	1	HOSE ASM-8X48.00 FJS/FJS90	
4	AG134007	1	RESERVOIR-AIR,HOMOLLOCATION,10L	
5	AG512885	AR	LOCTITE ADHESIVE SEALANT BLUE	
6	AG516229	1	ELBOW,UNION 0.25TUBE AUTO LCK	[A]
7	AG516230	1	STEM MALE TUBE 0.25 X 0.25	
8	AG517556	6	BOLT 0.62-18 X 1.75 G8 HX FLG	
9	AG518622	-	TUBING AIRLINE 0.25OD POLTHN [BULK: 12.250 FT]	
10	AG520627	3	BOLT-.50-13X1.00,G5,ZN,FLG,HHD	
11	AG520922	1	ADAPT STR-.75-16MJIC 22-1.5	
12	AG520923	1	ELBOW-90D,.75-16MJIC 22-1.5	
13	AG520940	2	BAND-MOUNTING	
14	AG520964	1	DRYER-AIR,SINGLE CANISTER	SEE PAGE 6-5
15	AG522196	1	ELBOW-90D,SWVL,L,.12MNPTFX.25T	
16	AG550205	4	WASHER LK 0.31 ZN REG	
17	AG550213	4	NUT 0.31-18NC HEX ZN REG	
18	AG551252	4	BOLT 0.31-18NCX 1.00 G5 ZN HHD	
19	AG552860	2	ELBOW -8MP90 X -8MJ	
20	AG609313	6	NUT HX FLG 0.62-18NF	
21	AG609681	1	DRAIN VALVE	
22	AG609682	1	THRUST RING M-22	
23	AG609683	1	O RING M-22	
24	AG609797	1	PLUG METRIC 22-1.5 ZN	
25	AG609798	1	WASHER METRIC 22 ZN	
	FOOTNOTE [A]		SEE SERVICE UPDATE #9387	



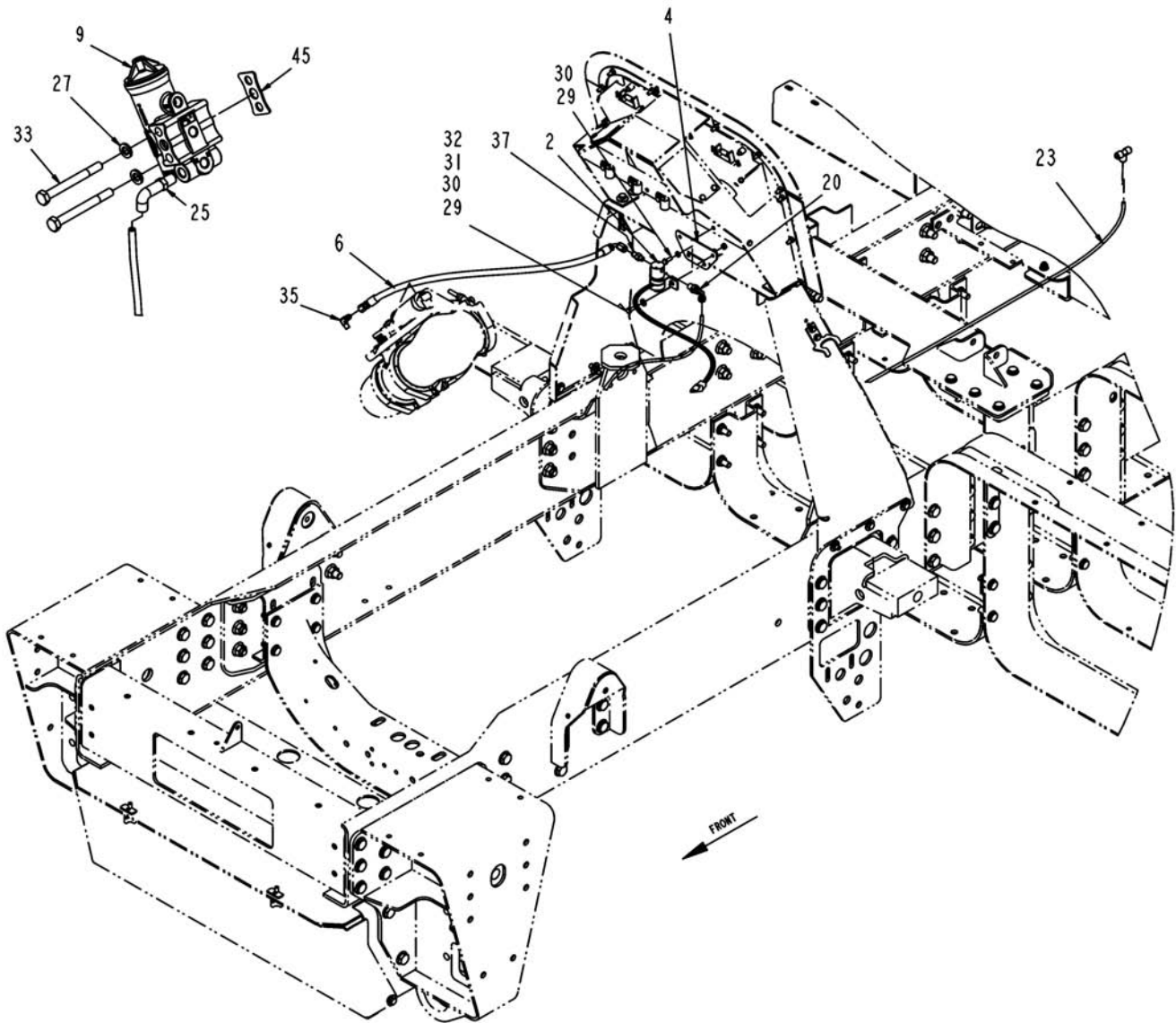
ITEM	PART #	QTY	DESCRIPTION	COMMENTS
1	AG610106	1	DESICCANT CANISTER	[A]
2	AG723382	1	VALVE KIT-REGENERATION 520964	
3	AG723383	1	KIT-TURBO VALVE 520964	[B]
4	AG723384	1	KIT-PURGE CAP & SPRING	[C]
5	AG723385	1	HEATER KIT 12V (520964)	[D]
6	AG723386	1	KIT-CHECK VALVE OUTLET 520964	
7	AG723380	1	KIT-BYPASS 520964	
	FOOTNOTE [A]		ALSO SEE AIR DRIER AG522147	
	FOOTNOTE [B]		THERE IS A SPRING IN THIS REPAIR KIT DO NOT USE THIS SPRING !!!	
	FOOTNOTE [C]		REPLACED BY AG724201	
	FOOTNOTE [D]		AG520227 CONNECTOR THAT CONNECTS TO HEATER, AG520752 WIRE LOCK, 2 AG519291 END, 2 AG515765 SEAL	
	FOOTNOTE:		FOR REPLACEMENT DESICCANT CANISTER USE AG610106	



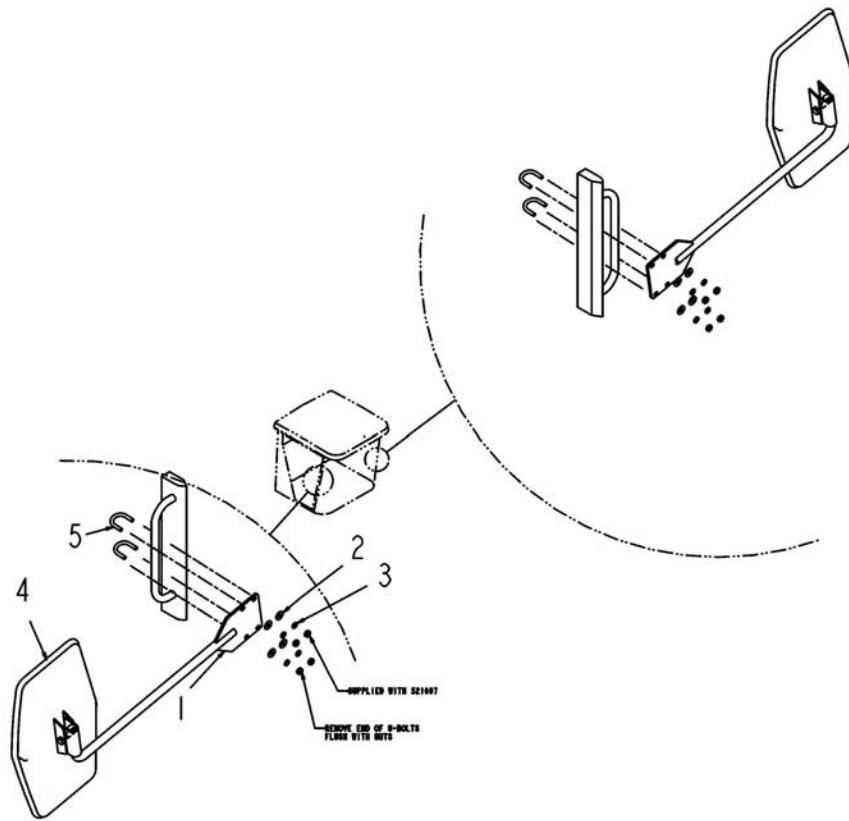
ITEM	PART #	QTY	DESCRIPTION	COMMENTS
1	AG130409	1	VALVE-SOLENOID,EXHAUST BRAKE	
2	AG515707	2	TERMINAL-PIN,16-18GA,NICKEL	
3	AG523363	1	CONN-RCPT,2WAY,18-14GA	
4	AG523366	1	LOCK-RCPT,2WAY	
5	AG562330	-	FLEX GUARD .250 [BULK: 1.500 FT]	



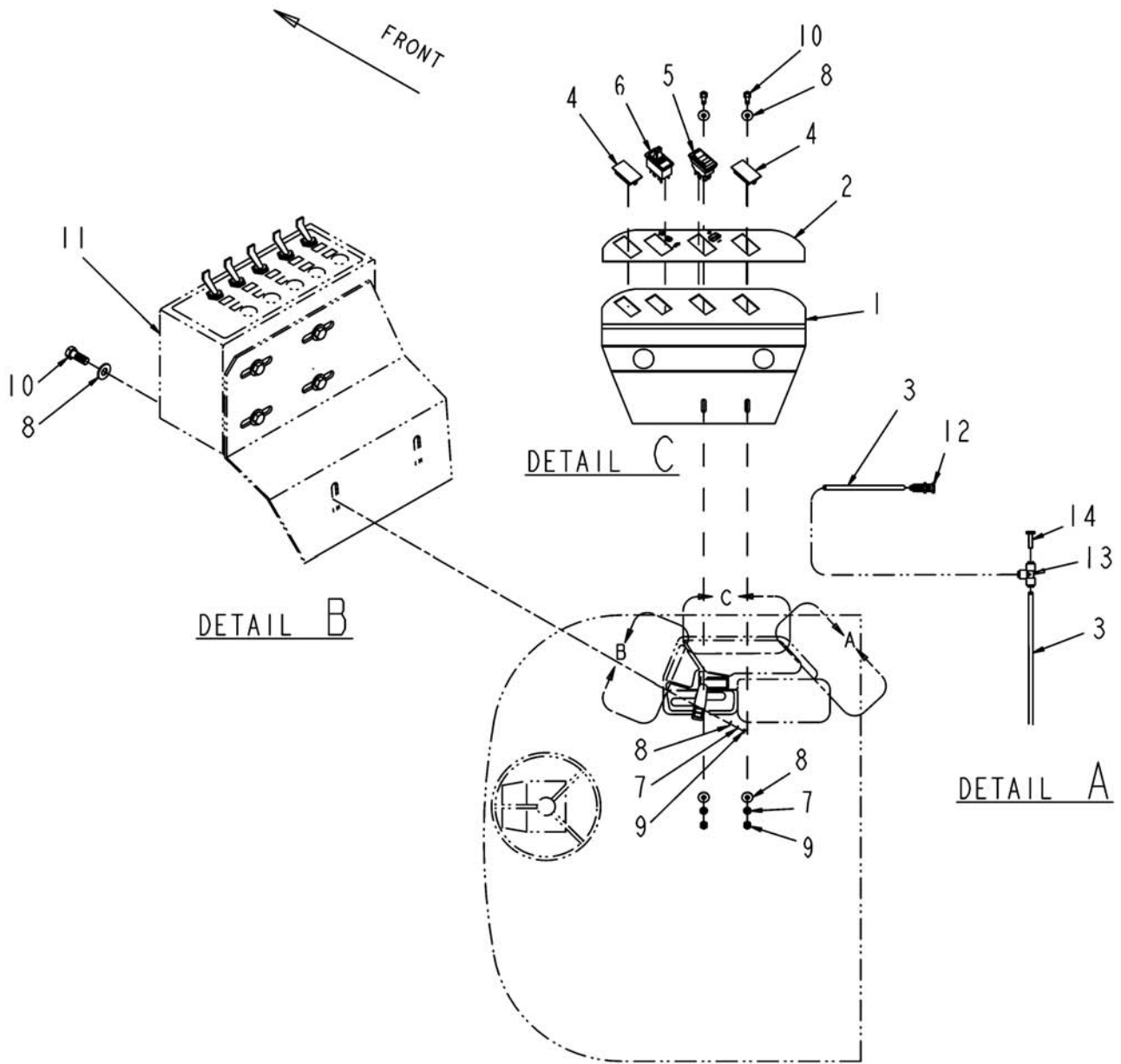
ITEM	PART #	QTY	DESCRIPTION	COMMENTS
1	AG124722	-	HOSE ASM-8X 68.00 R1AT FJS/FJS	
2	AG125078	1	SOLENOID-RWK,EXH BRAKE	SEE PAGE 6-6
3	AG127037	2	CLAMP HOSE-1.00DIA.62MTG HOLE	
4	AG132487	1	PLATE-MTG,SOLENOID	
5	AG134006	2	RESERVOIR-AIR,HOMOLOGATION,21L	
6	AG209672	-	HOSE ASM -4 32.00 R1AT	
7	AG224865	-	HOSE ASM -8 X 102.00 TEFLON/SS	[A]
8	AG240964	-	HOSE ASM -8X32 FJS/FJS RIAT	
9	AG511005	1	GOVERNOR AIR	[B]
10	AG514404	1	SWITCH PRESSURE LOW	
11	AG515121	2	WASHER 0.25 FL SS REG	
12	AG515122	1	WASHER LK 0.25 SS REG	
13	AG515123	1	NUT 0.25-20NC HEX SS REG	
14	AG516206	2	TEE UNION 0.25 TUBE AUTO LOCK	
15	AG516431	1	PLUG STEM 0.25 (AUTOLOCK)	
16	AG516475	2	STEM ADAPTER 0.37X0.37	
17	AG516476	1	ELBOW UNION 0.37 TUBE AUTOLOCK	
18	AG516479	1	PLUG 0.37 OD STEM AUTO LOCK	
19	AG516614	4	BAND MOUNTING 8.00 IN	
20	AG516642	1	ELBOW 90D 0.25TUBE X0.12NPT	
21	AG517938	3	ADPTR STR M22-1.5 OR X0.37FNPT	
22	AG518414	1	CONN STR 0.25TUBEX0.37NPT A LK	
23	AG518622	-	TUBING AIRLINE 0.25OD POLTHN [BULK: 33.830 FT]	
24	AG520923	3	ELBOW-90D,.75-16MJIC 22-1.5	
25	AG522196	1	ELBOW-90D,SWVL,L,.12MNPTFX.25T	
26	AG523337	1	ELBOW-RDCR,.38X.25TUBE,AUTOLK	
27	AG550205	10	WASHER LK 0.31 ZN REG	
28	AG550213	8	NUT 0.31-18NC HEX ZN REG	
29	AG550485	4	BOLT.25-20NCX.75 G5 ZN HHD	
30	AG550493	4	WASHER LK 0.25 ZN REG	
31	AG550612	2	NUT 0.25-20NC HEX ZN REG	
32	AG550671	2	WASHER-.25,FL,ZN,TYPE-A(N	
33	AG550906	2	BOLT 0.31-18NCX 3.00 G5 ZN HHD	
34	AG551252	8	BOLT 0.31-18NCX 1.00 G5 ZN HHD	
35	AG552445	1	ELBOW -2MP90 X -4MJ	
36	AG552860	1	ELBOW -8MP90 X -8MJ	
37	AG553530	1	ADAP STR -2MP X -4MJ	
38	AG555045	1	BUSHG 0.38X 0.12NPT HX REG PL	
39	AG555290	1	NIPPLE 0.37NPTX 1.00CLS WR ST	
40	AG556580	1	TEE 0.37NPT PIPE MAL IR PL	
41	AG557617	2	NUT 0.62-18NF HX ZN JAM	
42	AG561780	1	ADAP STR 0.50MJIC X 0.50MJIC	
43	AG562064	1	BOLT 0.25-20NCX 1.00 S.S. HHD	[C]
44	AG562237	1	CLAMP CTD 0.75IDX0.75WIDE	
45	AG604110	1	GASKET AIR GOV BENDIX	[D]
46	AG609681	2	DRAIN VALVE	
47	AG609682	2	THRUST RING M-22	
48	AG609683	2	O RING M-22	
	FOOTNOTE [A]		AG223184 IS THE SAME TYPE OF HOSE IN A 72 IN LENGTH.	
	FOOTNOTE [B]		AG702187-BREATHER, AG604110-GASKET, AG726897-GOVERNOR ONLY	
	FOOTNOTE [C]		STAINLESS STEEL	
	FOOTNOTE [D]		REPLACES AG029483 KITS	



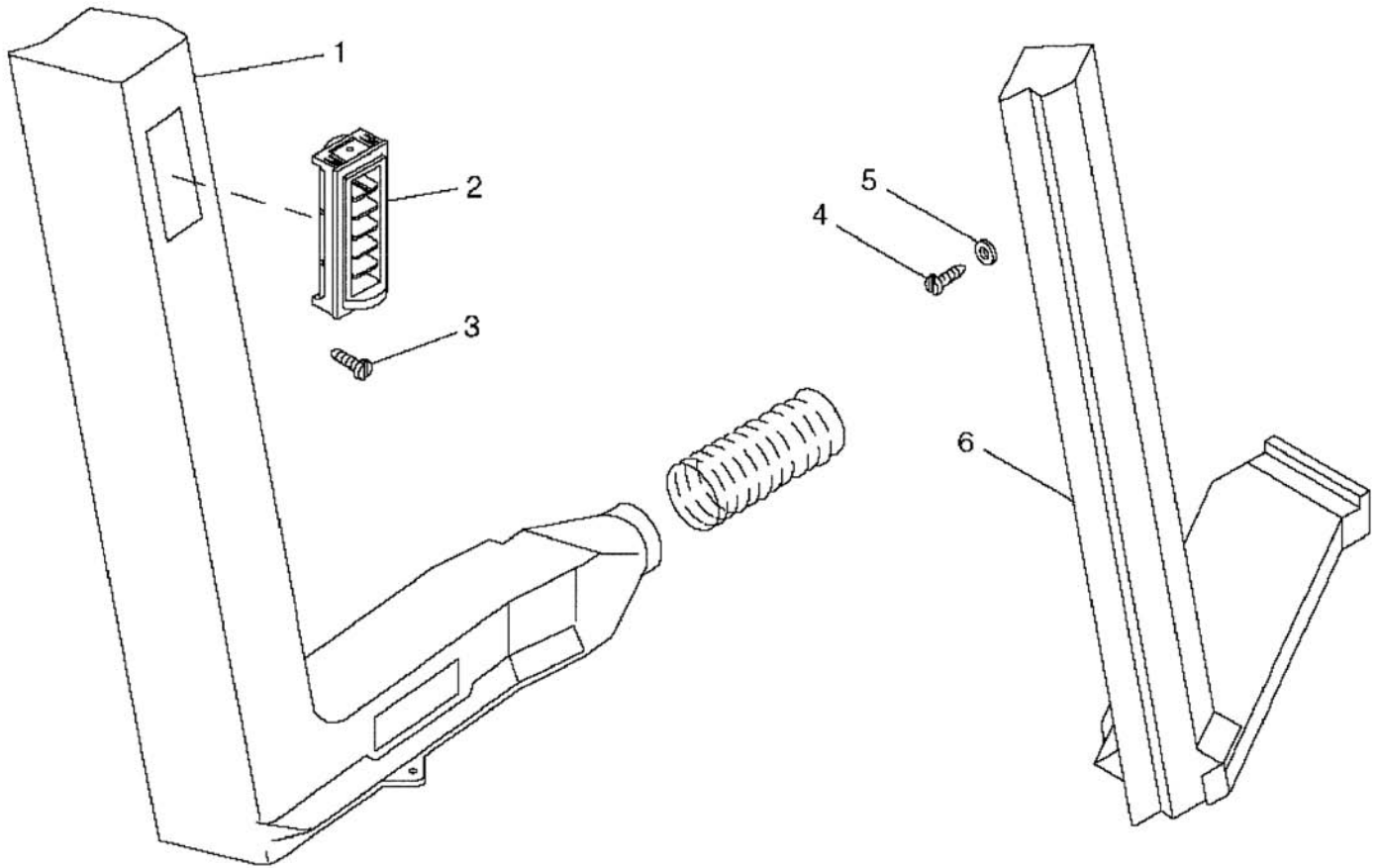
ITEM	PART #	QTY	DESCRIPTION	COMMENTS
1	AG124722	-	HOSE ASM-8X 68.00 R1AT FJS/FJS	
2	AG125078	1	SOLENOID-RWK,EXH BRAKE	SEE PAGE 6-6
3	AG127037	2	CLAMP HOSE-1.00DIA.62MTG HOLE	
4	AG132487	1	PLATE-MTG,SOLENOID	
5	AG134006	2	RESERVOIR-AIR,HOMOLOCAION,21L	
6	AG209672	-	HOSE ASM -4 32.00 R1AT	
7	AG224865	-	HOSE ASM -8 X 102.00 TEFLON/SS	[A]
8	AG240964	-	HOSE ASM -8X32 FJS/FJS RIAT	
9	AG511005	1	GOVERNOR AIR	[B]
10	AG514404	1	SWITCH PRESSURE LOW	
11	AG515121	2	WASHER 0.25 FL SS REG	
12	AG515122	1	WASHER LK 0.25 SS REG	
13	AG515123	1	NUT 0.25-20NC HEX SS REG	
14	AG516206	2	TEE UNION 0.25 TUBE AUTO LOCK	
15	AG516431	1	PLUG STEM 0.25 (AUTOLOCK)	
16	AG516475	2	STEM ADAPTER 0.37X0.37	
17	AG516476	1	ELBOW UNION 0.37 TUBE AUTOLOCK	
18	AG516479	1	PLUG 0.37 OD STEM AUTO LOCK	
19	AG516614	4	BAND MOUNTING 8.00 IN	
20	AG516642	1	ELBOW 90D 0.25TUBE X0.12NPT	
21	AG517938	3	ADPTR STR M22-1.5 OR X0.37FNPT	
22	AG518414	1	CONN STR 0.25TUBEX0.37NPT A LK	
23	AG518622	-	TUBING AIRLINE 0.25OD POLTHN [BULK: 33.830 FT]	
24	AG520923	3	ELBOW-90D,.75-16MJIC 22-1.5	
25	AG522196	1	ELBOW-90D,SWVL,L,.12MNPTFX.25T	
26	AG523337	1	ELBOW-RDCR,.38X.25TUBE,AUTOLK	
27	AG550205	10	WASHER LK 0.31 ZN REG	
28	AG550213	8	NUT 0.31-18NC HEX ZN REG	
29	AG550485	4	BOLT.25-20NCX.75 G5 ZN HHD	
30	AG550493	4	WASHER LK 0.25 ZN REG	
31	AG550612	2	NUT 0.25-20NC HEX ZN REG	
32	AG550671	2	WASHER-.25,FL,ZN,TYPE-A(N	
33	AG550906	2	BOLT 0.31-18NCX 3.00 G5 ZN HHD	
34	AG551252	8	BOLT 0.31-18NCX 1.00 G5 ZN HHD	
35	AG552445	1	ELBOW -2MP90 X -4MJ	
36	AG552860	1	ELBOW -8MP90 X -8MJ	
37	AG553530	1	ADAP STR -2MP X -4MJ	
38	AG555045	1	BUSHG 0.38X 0.12NPT HX REG PL	
39	AG555290	1	NIPPLE 0.37NPTX 1.00CLS WR ST	
40	AG556580	1	TEE 0.37NPT PIPE MAL IR PL	
41	AG557617	2	NUT 0.62-18NF HX ZN JAM	
42	AG561780	1	ADAP STR 0.50MJIC X 0.50MJIC	
43	AG562064	1	BOLT 0.25-20NCX 1.00 S.S. HHD	[C]
44	AG562237	1	CLAMP CTD 0.75IDX0.75WIDE	
45	AG604110	1	GASKET AIR GOV BENDIX	[D]
46	AG609681	2	DRAIN VALVE	
47	AG609682	2	THRUST RING M-22	
48	AG609683	2	O RING M-22	
	FOOTNOTE [A]		AG223184 IS THE SAME TYPE OF HOSE IN A 72 IN LENGTH.	
	FOOTNOTE [B]		AG702187-BREATHER, AG604110-GASKET, AG726897-GOVERNOR ONLY	
	FOOTNOTE [C]		STAINLESS STEEL	
	FOOTNOTE [D]		REPLACES AG029483 KITS	



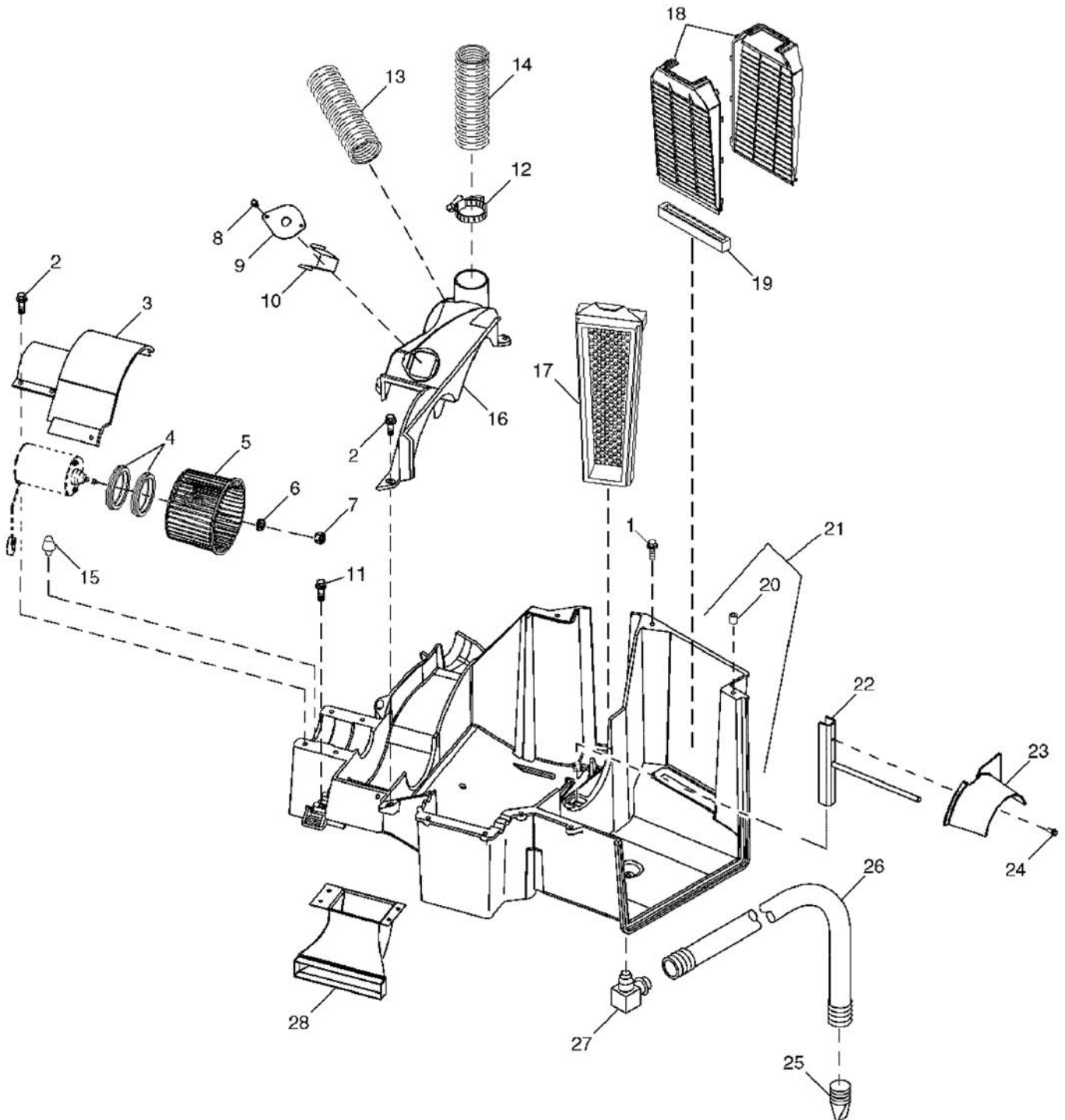
ITEM	PART #	QTY	DESCRIPTION	COMMENTS
1	AG122544	2	WELDMENT,MIRROR MOUNT,BENT	
2	AG515121	8	WASHER 0.25 FL SS REG	
3	AG515122	8	WASHER LK 0.25 SS REG	
4	AG518215	1	MIRROR PLASTIC (SET OF 2)	[A]
5	AG521697	4	BOLT-U,.25-20X1.12WX2.00LG,SS	
	FOOTNOTE [A]		ONE MIRROR ONLY USE AG714354	
	FOOTNOTE [A]		SEE PARTS BULETIN. 00385	
	FOOTNOTE [A]		U-BOLT PART AG518642, MIRROR EXTENSION-AG515087	



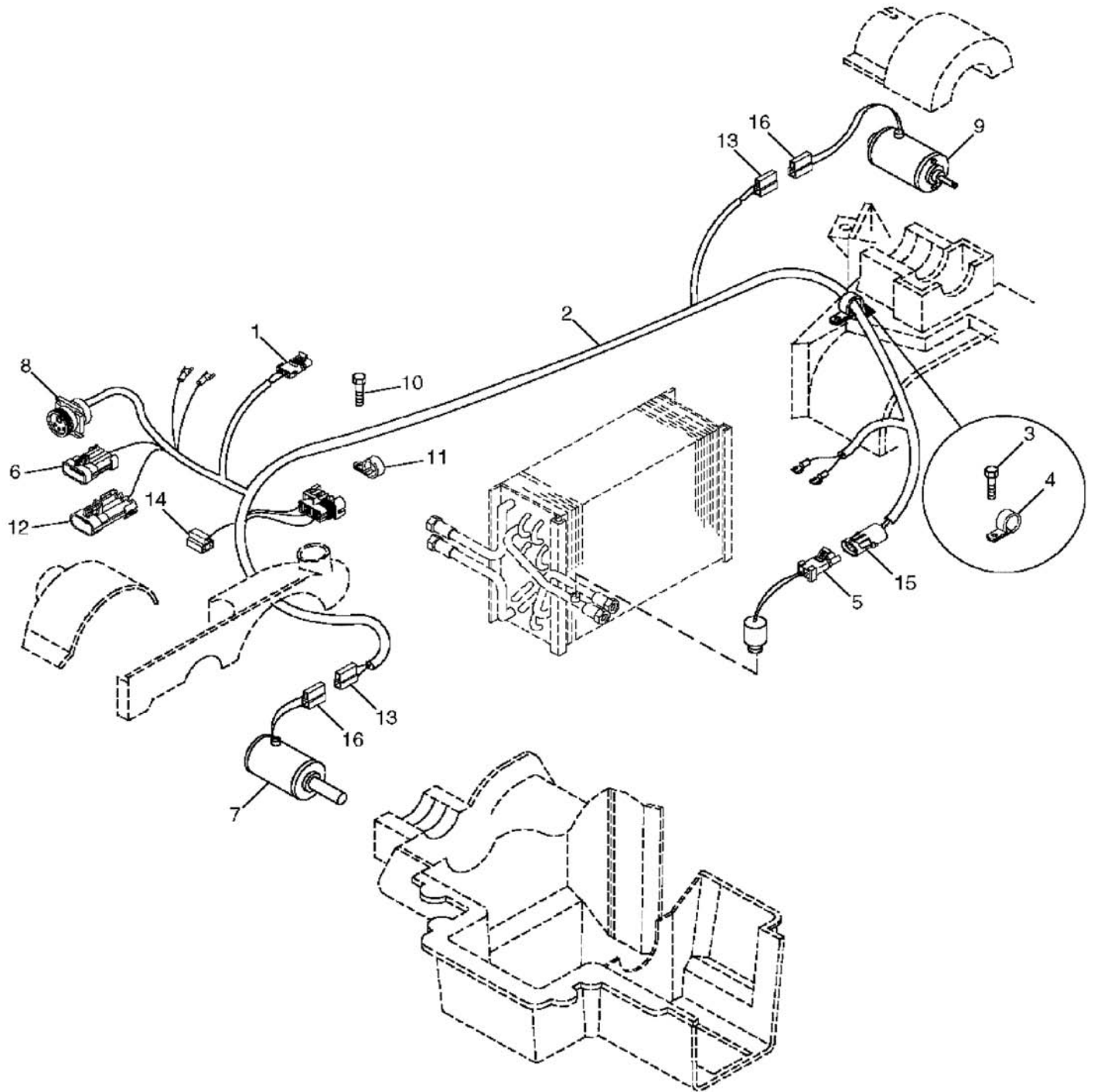
ITEM	PART #	QTY	DESCRIPTION	COMMENTS
1	AG136182	1	BRKT-THROTTLE/SPARGER CTRL	
2	AG136183	1	DECAL-THROTTLE/SPARGER	
3	AG518622	-	TUBING AIRLINE 0.25OD POLTHN [BULK: 11.084 FT]	
4	AG520907	2	PLUG-HOLE,SWITCH,EATON	
5	AG520949	1	SWITCH-ELEC,RKR(ON)OFF(ON)DPDT	
6	AG522467	1	SW-ELEC,PDL,(ON)-OFF-(ON),DPDT	
7	AG550493	4	WASHER LK 0.25 ZN REG	
8	AG550507	8	WASHER FL 0.25 ZN REG TYPE-B	
9	AG550612	4	NUT 0.25-20NC HEX ZN REG	
10	AG558788	4	BOLT 0.25-20NCX 1.25 G5 ZN HHD	
11	AG121868	1	SWITCHBOX ASM-BOOM CTRL,8/1064	SEE PAGE 9-2
12	AG700080	1	BODY 0.25SS PNEU CPLR 513822	
13	AG516206	1	TEE UNION 0.25 TUBE AUTO LOCK	
14	AG516431	1	PLUG STEM 0.25 (AUTOLOCK)	



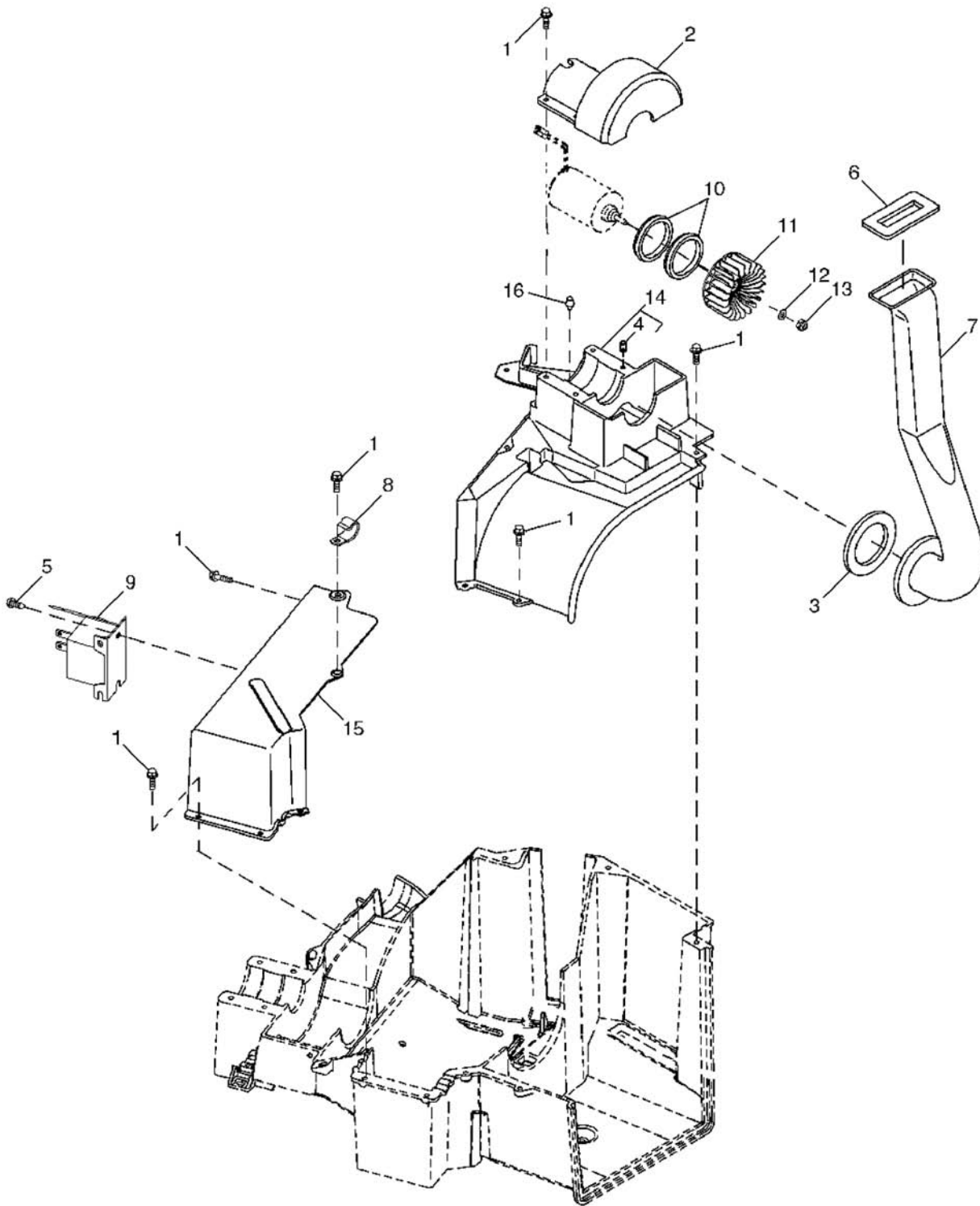
ITEM	PART #	QTY	DESCRIPTION	COMMENTS
REF	AG721700	1	CAPSCREW CAB	
2	AG712794	6	GRILLE	
3	AG712791	1	SCREW	



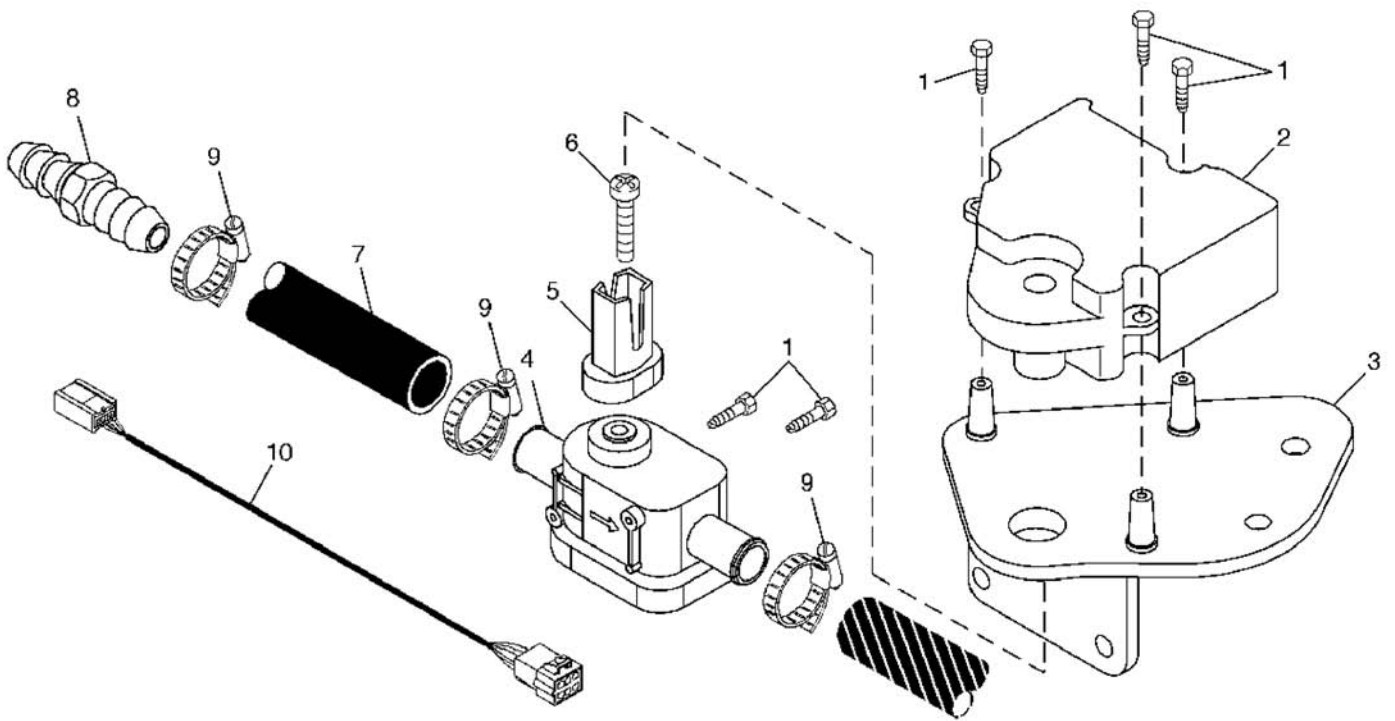
ITEM	PART #	QTY	DESCRIPTION	COMMENTS
4	AG712812	2	ISOLATOR	
5	AG712814	1	BLOWER FAN	
9	AG713635	1	RESISTOR A/C	[A]
17	AG517937	1	FILTER RECIRCULATING AIR CAB	[B]
25	AG716964	1	CHECK VALVE	
26	AG716945	1	HOSE-DRAIN,AC (519641)	
27	AG717903	1	CONNECTOR-DRAIN,90D,NYLON	
28	AG719970	1	BLOWER DUCT RG	
	FOOTNOTE [A]		ROGATOR FAN MOTOR RESISTOR	
	FOOTNOTE [B]		RECTANGULAR WITH HANDLE.	



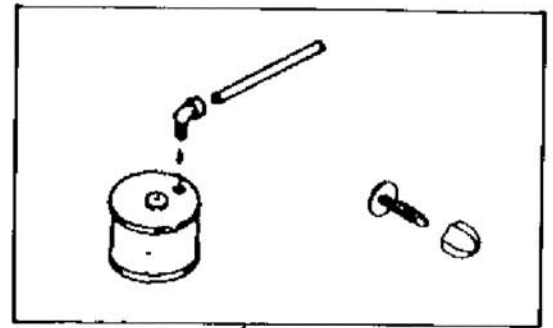
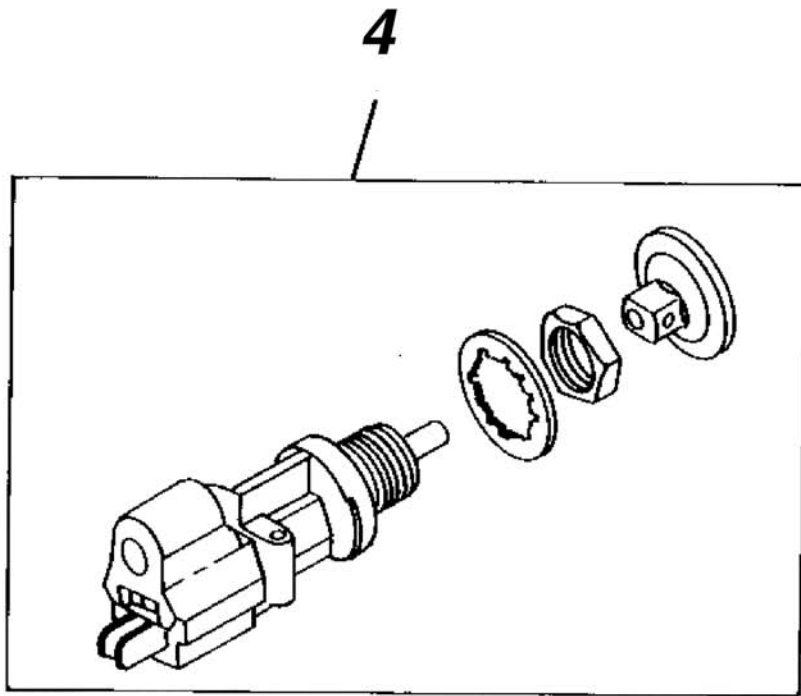
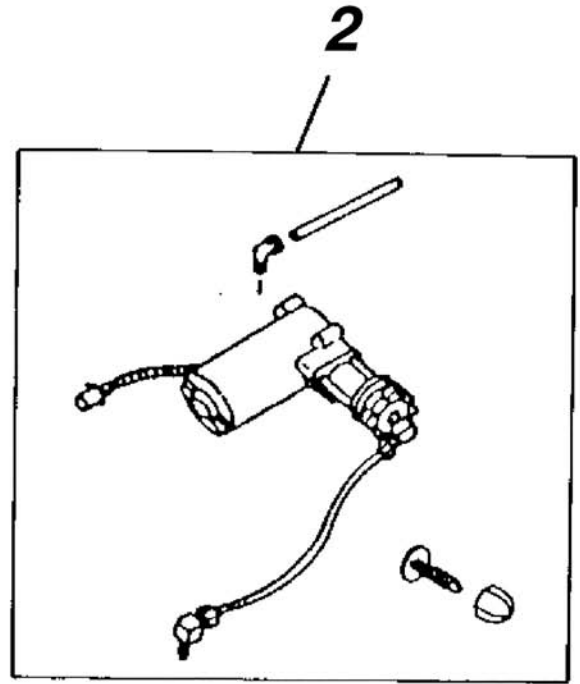
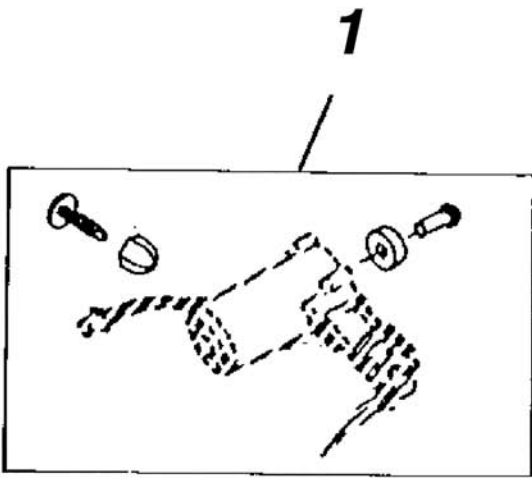
ITEM	PART #	QTY	DESCRIPTION	COMMENTS
2	AG061183	1	HARNES/AC CAB	
5	AG713359	1	SWITCH	[A]
7	AG712813	1	MOTOR	[B]
8	AG713361	1	CONNECTOR	
9	AG712815	1	MOTOR	[C]
	FOOTNOTE [A]		A/C LOW PRESSURE SWITCH.	
	FOOTNOTE [B]		A/C & HEATER BLOWER MOTOR	
	FOOTNOTE [C]		PRESSURIZER MOTOR	



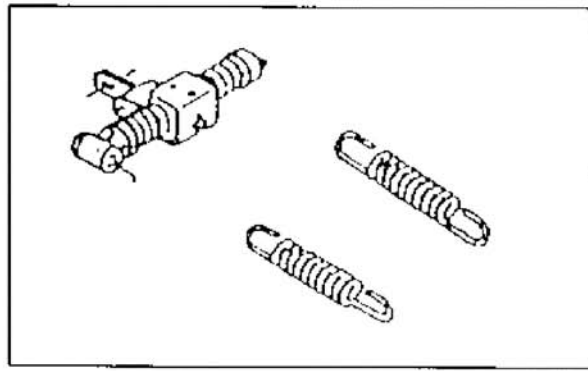
ITEM	PART #	QTY	DESCRIPTION	COMMENTS
9	AG058655	1	THERMOSTAT	
10	AG712812	2	ISOLATOR	
11	AG712816	1	FAN	
15	AG713454	1	HOUSING A/C	



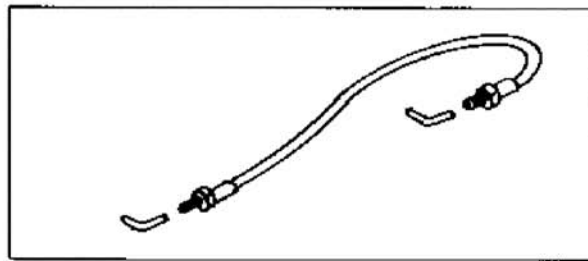
ITEM	PART #	QTY	DESCRIPTION	COMMENTS
2	AG061208	1	ACTUATOR	
3	AG061209	1	BRACKET	
4	AG061184	1	VALVE/WATER,CAB	
5	AG061210	1	ADAPTOR	
6	AG061211	1	SCREW	
10	AG061185	1	HARNES/WATER VALVE	



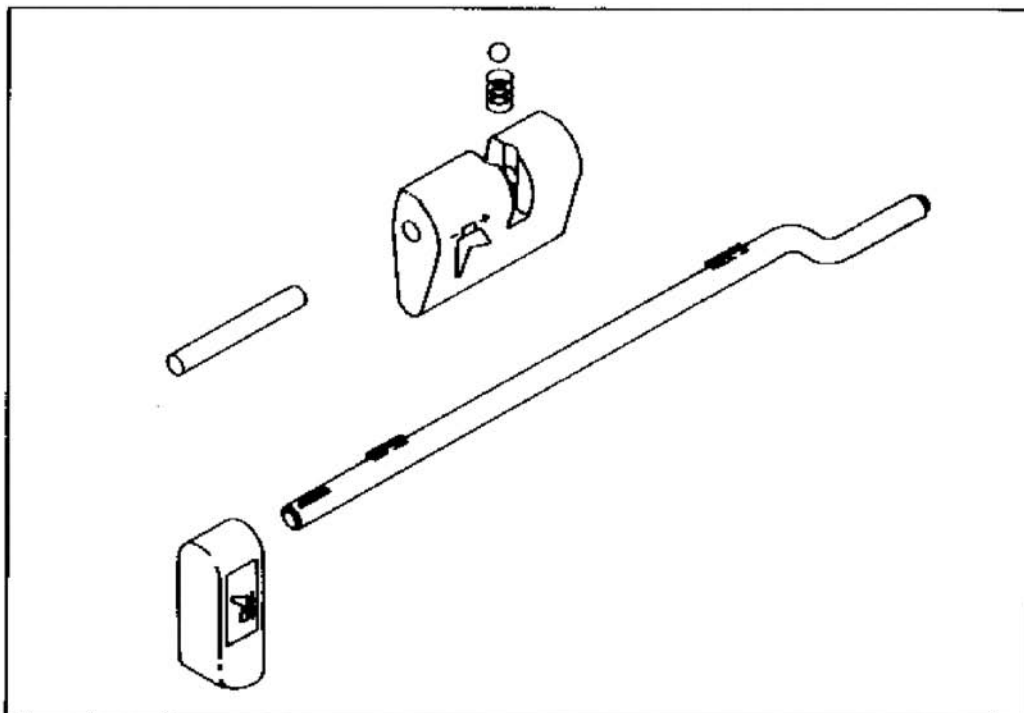
ITEM	PART #	QTY	DESCRIPTION	COMMENTS
REF	AG714325	1	SHOCK ABSORBER KIT 713483	
3	AG714562	1	AIR BAG KIT	
4	AG712812	2	ISOLATOR	
9	AG719845	1	BEARING KIT	
10	AG719114	1	SCISSOR ASM RG SEAT	
11	AG719089	1	KIT SUSPENSION SHOCK ABSORBER	



5

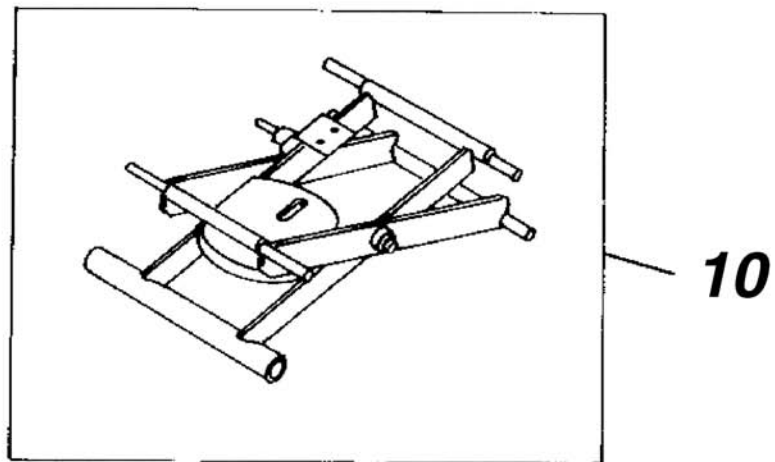
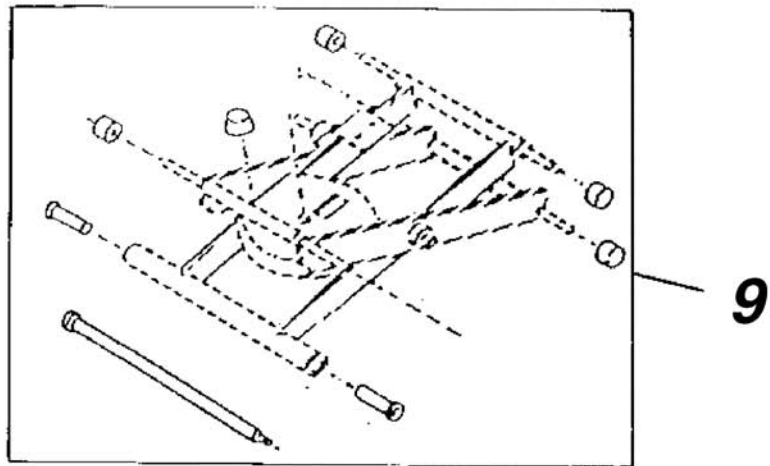
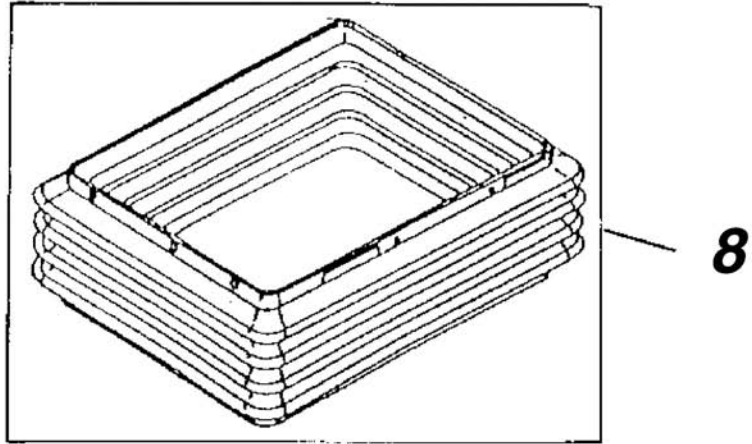


6

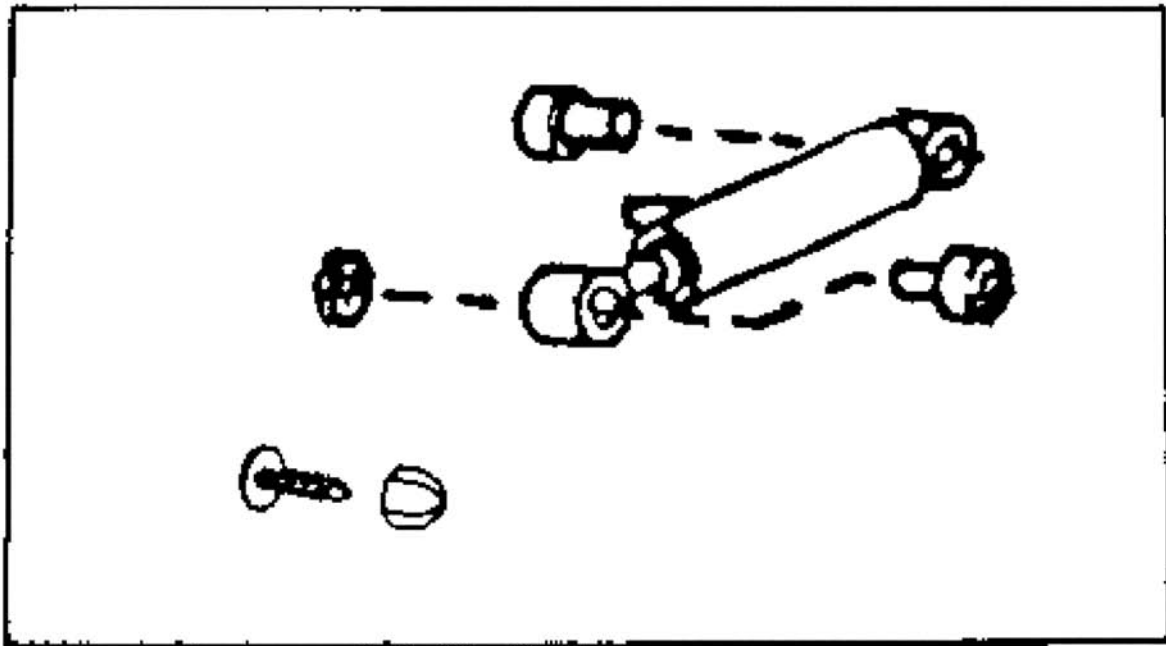


7

ITEM	PART #	QTY	DESCRIPTION	COMMENTS
REF	AG714325	1	SHOCK ABSORBER KIT 713483	
3	AG714562	1	AIR BAG KIT	
4	AG712812	2	ISOLATOR	
9	AG719845	1	BEARING KIT	
10	AG719114	1	SCISSOR ASM RG SEAT	
11	AG719089	1	KIT SUSPENSION SHOCK ABSORBER	



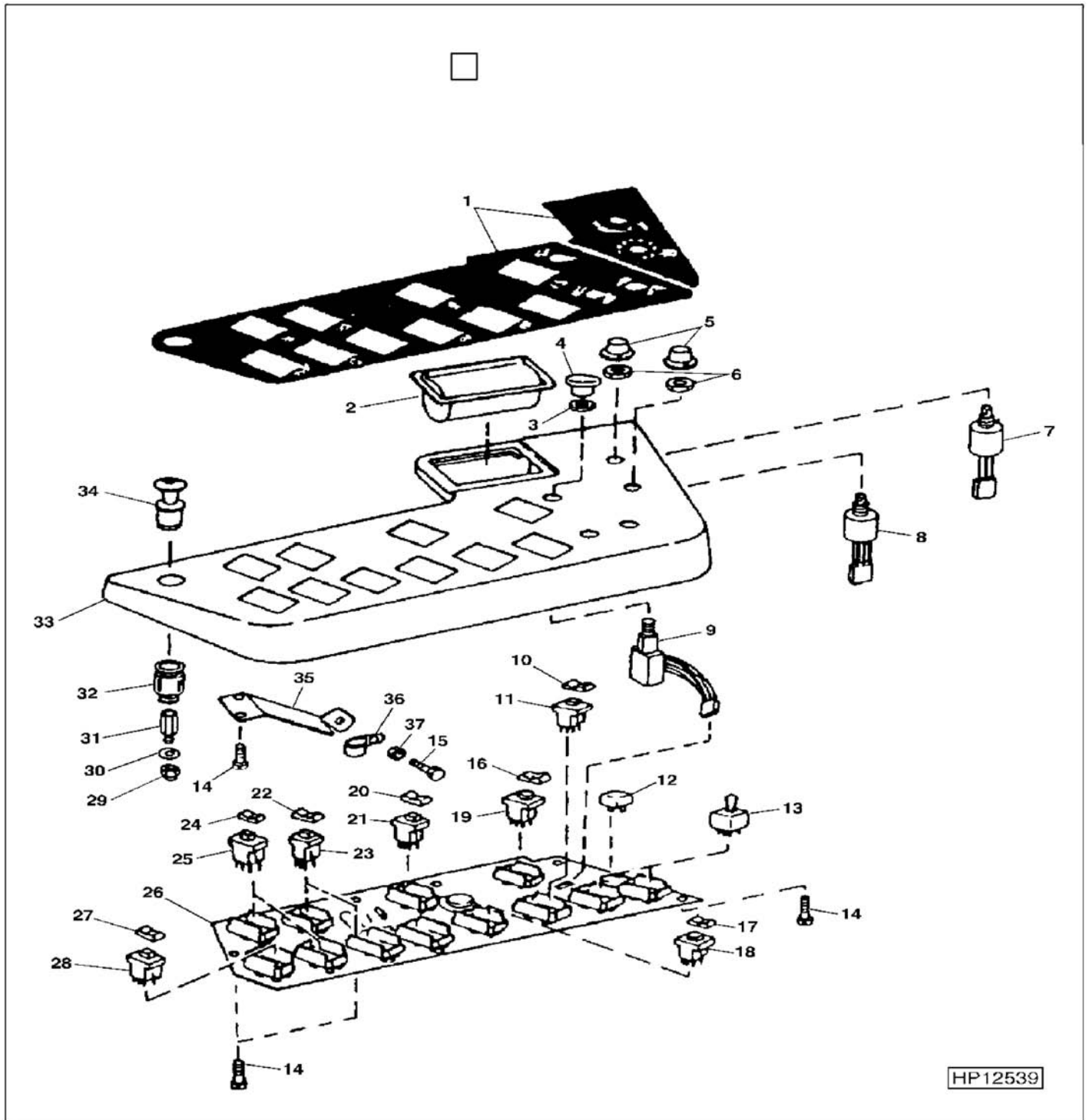
ITEM	PART #	QTY	DESCRIPTION	COMMENTS
REF	AG714325	1	SHOCK ABSORBER KIT 713483	
3	AG714562	1	AIR BAG KIT	
4	AG712812	2	ISOLATOR	
9	AG719845	1	BEARING KIT	
10	AG719114	1	SCISSOR ASM RG SEAT	
11	AG719089	1	KIT SUSPENSION SHOCK ABSORBER	



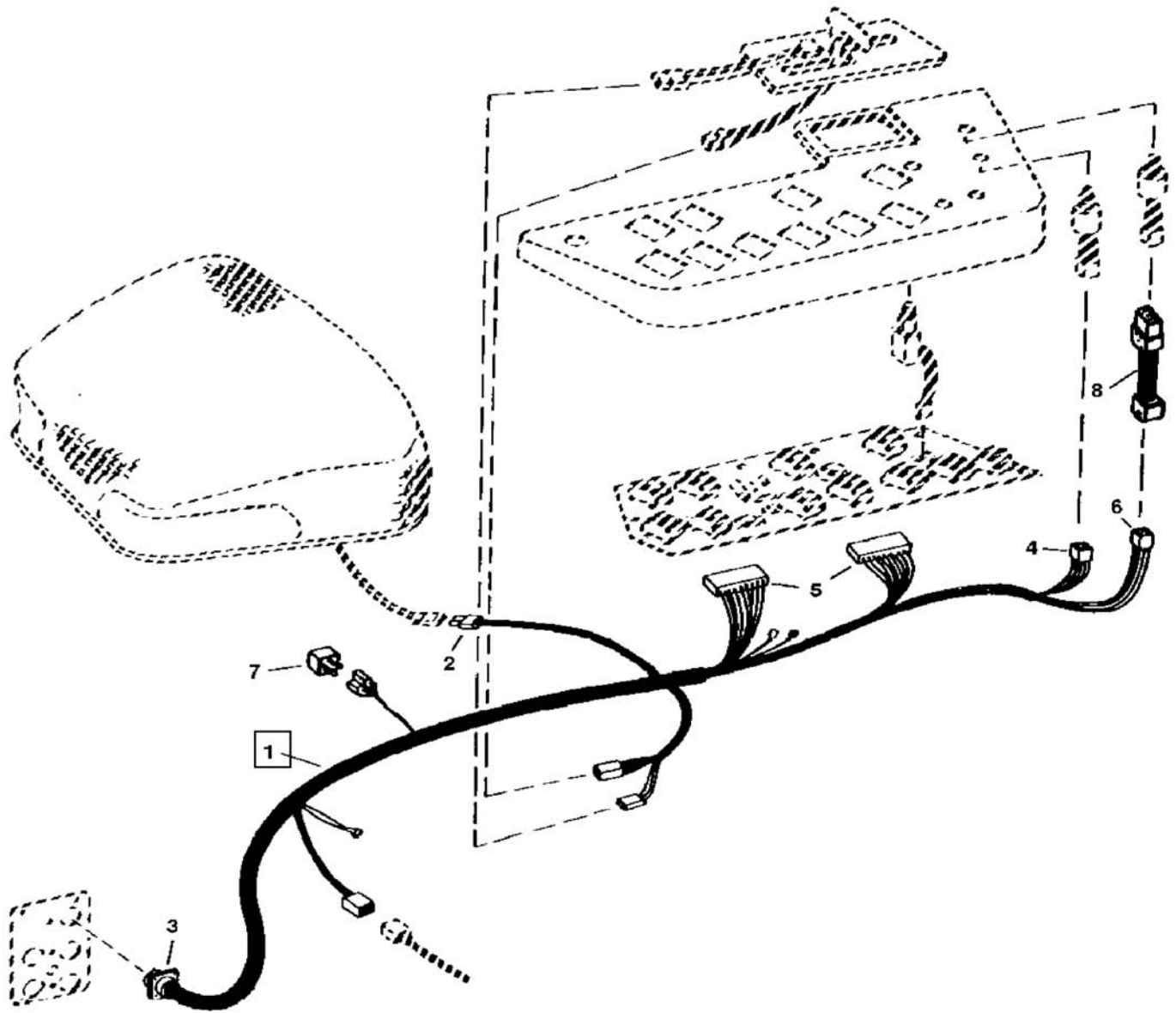
11

ITEM	PART #	QTY	DESCRIPTION	COMMENTS
REF	AG714325	1	SHOCK ABSORBER KIT 713483	
3	AG714562	1	AIR BAG KIT	
4	AG712812	2	ISOLATOR	
9	AG719845	1	BEARING KIT	
10	AG719114	1	SCISSOR ASM RG SEAT	
11	AG719089	1	KIT SUSPENSION SHOCK ABSORBER	

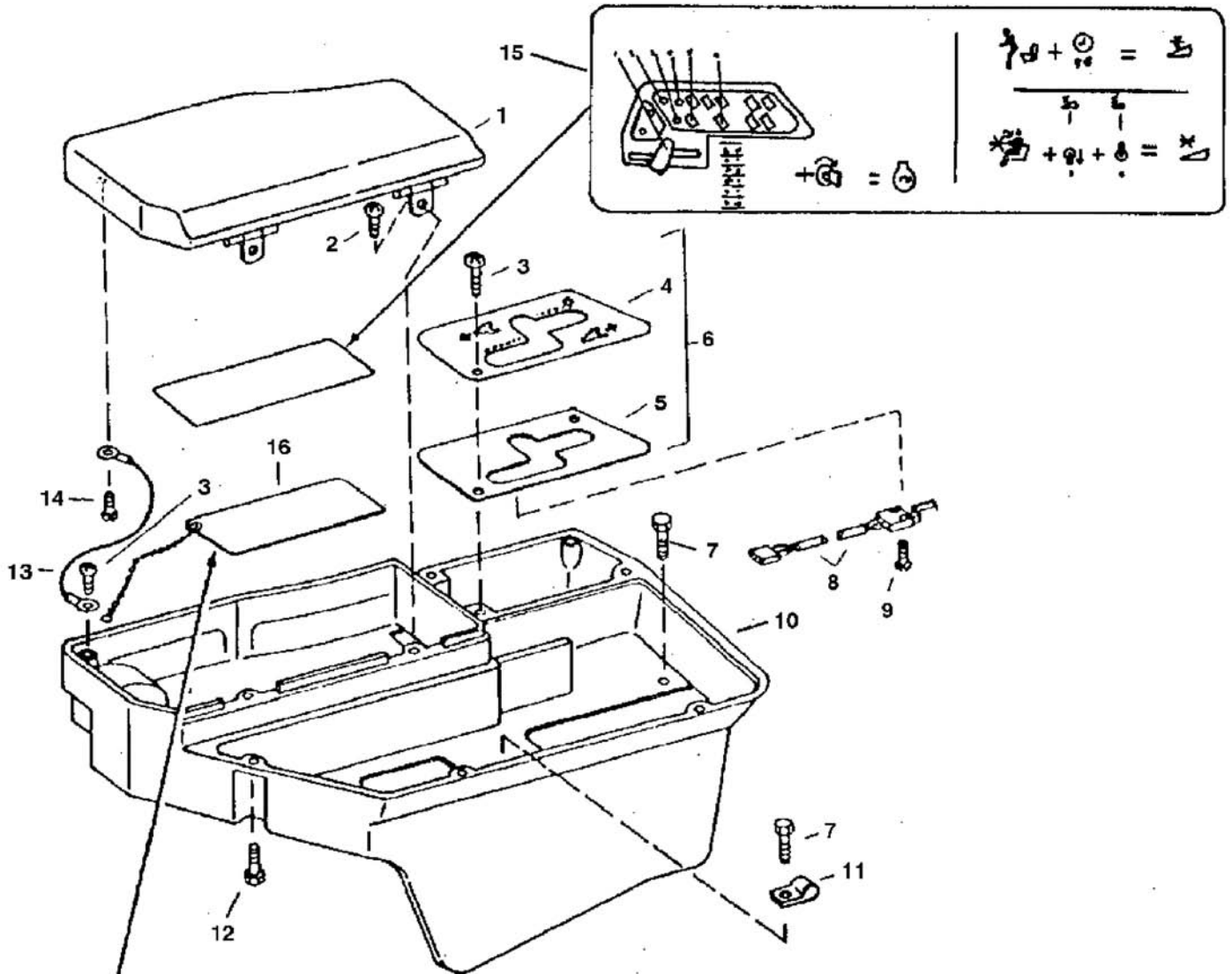
OEM CAB 2004



ITEM	PART #	QTY	DESCRIPTION	COMMENTS
2	AG716955	1	TRAY-ASH	
3	AG717894	1	NUT,SPECIAL	
4	AG520559	1	KNOB-POINTER	
7	AG235928	-	SWITCH ASM-SPEED ADJUST	[A]
7	AG520303	-	KNOB-POINTER (235928)	
8	AG517381	1	SWITCH DPDT LOCK MOM TOGGLE	
9	AG609556	1	SWITCH ARMREST SAFETY	
10	AG518088	1	ROCKER COVER BLANK	
11	AG609555	1	SWITCH-DPDT CTR OFF MOM,RKR	[B]
12	AG517414	1	RELAY 20/30A PLUG IN	
13	AG609554	1	SWITCH DPDT PULL TO UNLOCK	[C]
19	AG609557	1	SWITCH-DPDT CTR OFF MOM,RKR	
34	AG717883	1	LIGHTER-CIGAR	
	FOOTNOTE [A]		KNOB FOR SWITCH - AG520559	
	FOOTNOTE [B]		LEFT AND RIGHT BOOM SWING SWITCH, AG518088 ROCKER COVER BLANK	
	FOOTNOTE [C]		THIS IS THE SWITCH FOR SELECTING EITHER 2 OR 4 WHEEL DRIVE.	



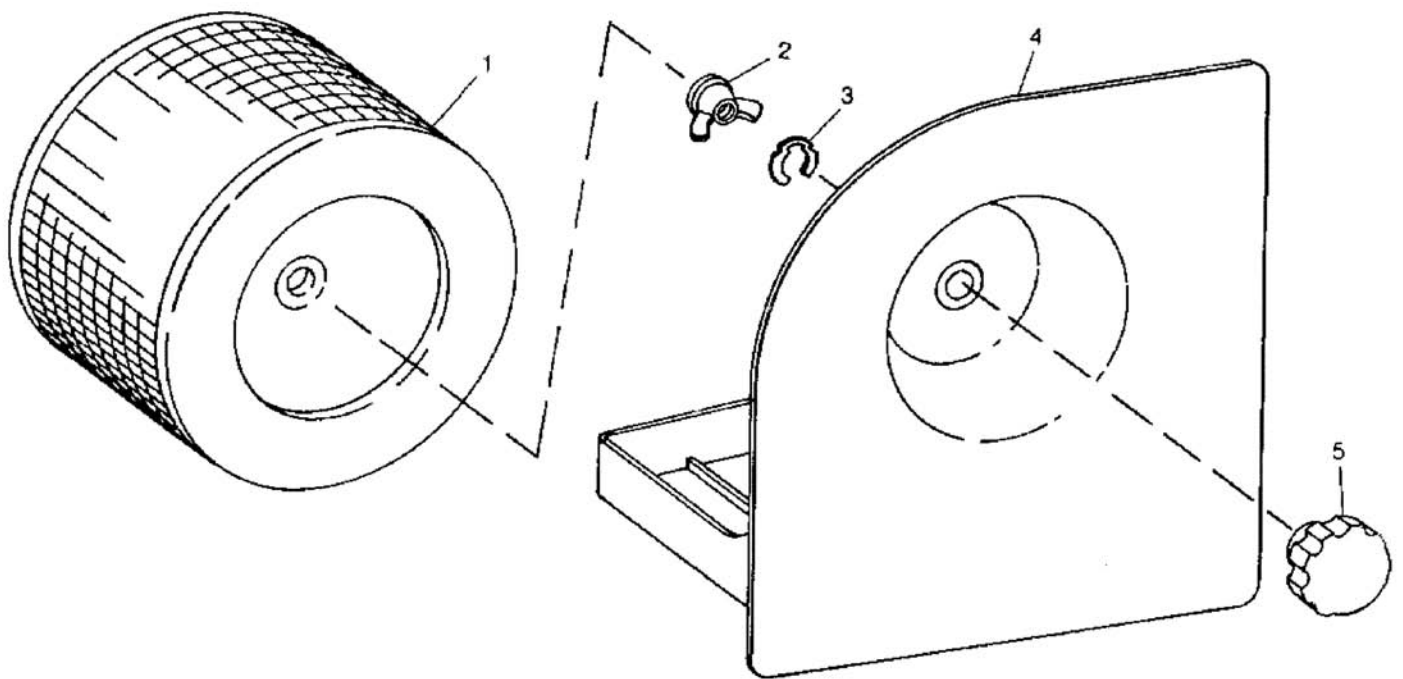
ITEM	PART #	QTY	DESCRIPTION	COMMENTS
1	AG713354	1	WIRING HARNESS	
4	AG713603	1	CONNECTOR	
5	AG713196	AR	SOCKET CONTACT	
7	AG517414	1	RELAY 20/30A PLUG IN	



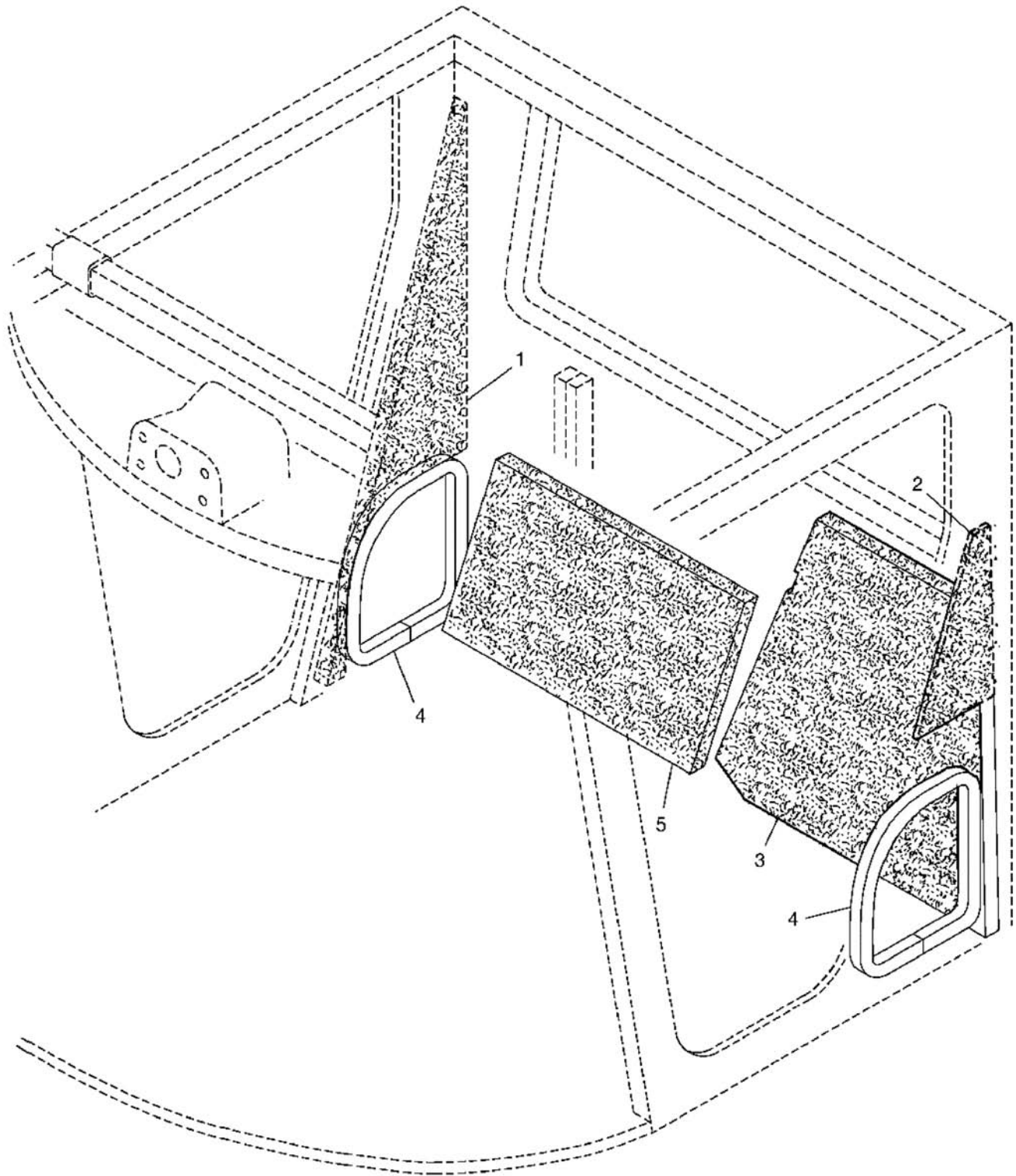
COMBINE SETTING INFORMATION

	1	2	3	4	5	6	7	8	9	10	11	12	13	14	15	16
Merley	360	1	600	0	7/8	7/8	1/4	Flat (Pop Riv)	900	1	1000	0	5/8	3/4	1/4	
Dark Dry	300	1	1000	7/16	5/8	3/4	7/16	Flat (Pop Riv)	900	3	1000	0	5/8	3/4	1/4	
Dark Wet	360	1	1300	7/16	5/8	3/4	7/16	Burgundy Allnut	800	1	1000	0	1/2	5/8	1/4	
Light Beams	130	1	1000	0	5/8	3/4	7/16	Bayonets	300	1	1000	0	3/16	3/4	3/8	
Dark	900	1	950	0	5/8	3/4	1/4	Darkbeams	750	12	1000	0	1/2	5/8	1/4	
Pop (Carols)	300	1	700	0	3/8	1/2	3/16	Wheel	600	1	1050	0	1/4	3/4	1/4	

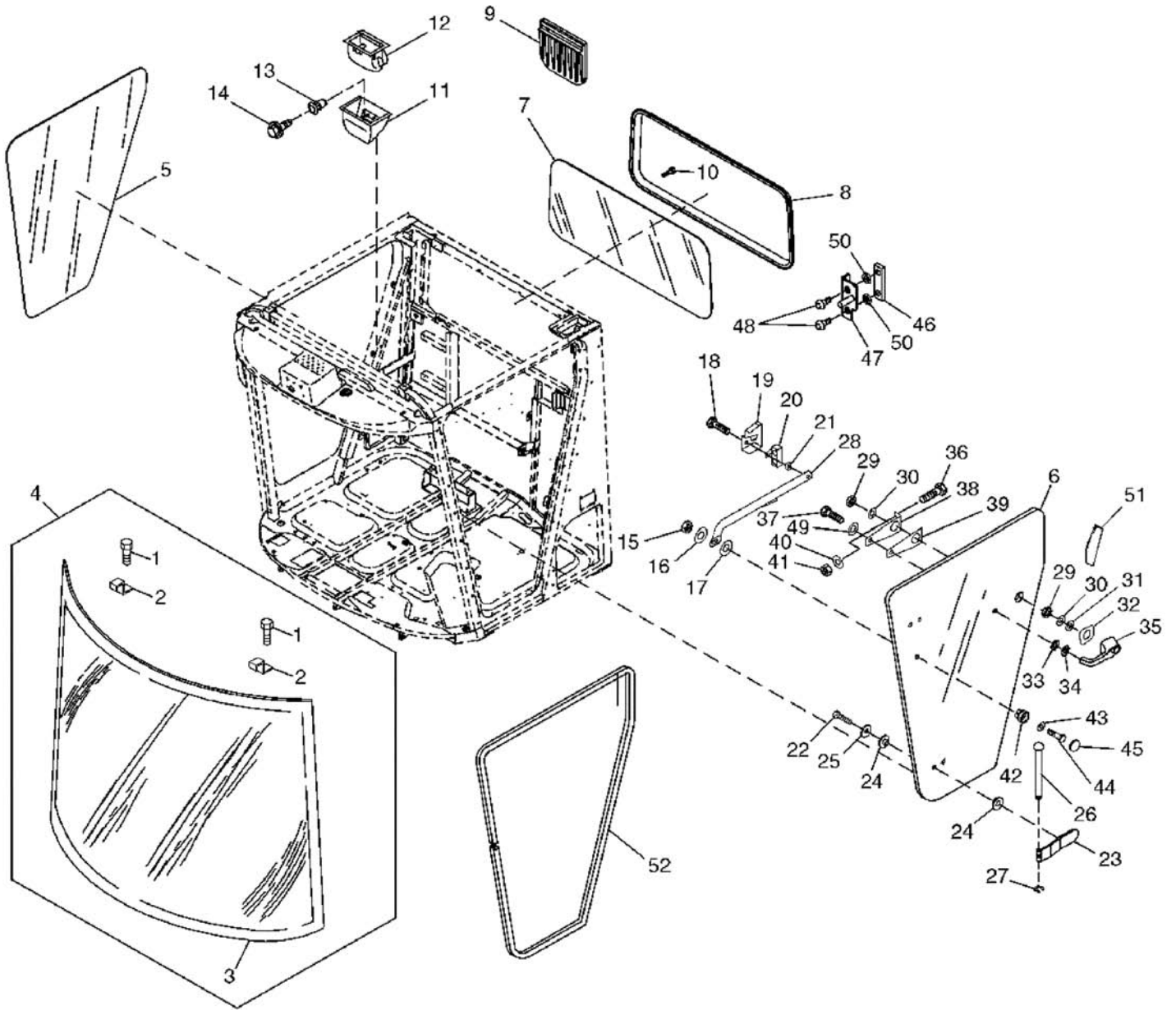
ITEM	PART #	QTY	DESCRIPTION	COMMENTS
1	AG713412	1	COVER ARMREST	
2	AG714064	2	SCREW	
3	AG712864	2	SCREW SPECIAL	
8	AG712800	1	SWITCH ENGINE SAFETY START	
10	AG714621	1	CONSOLE	
12	AG712871	4	SCREW ARM REST	



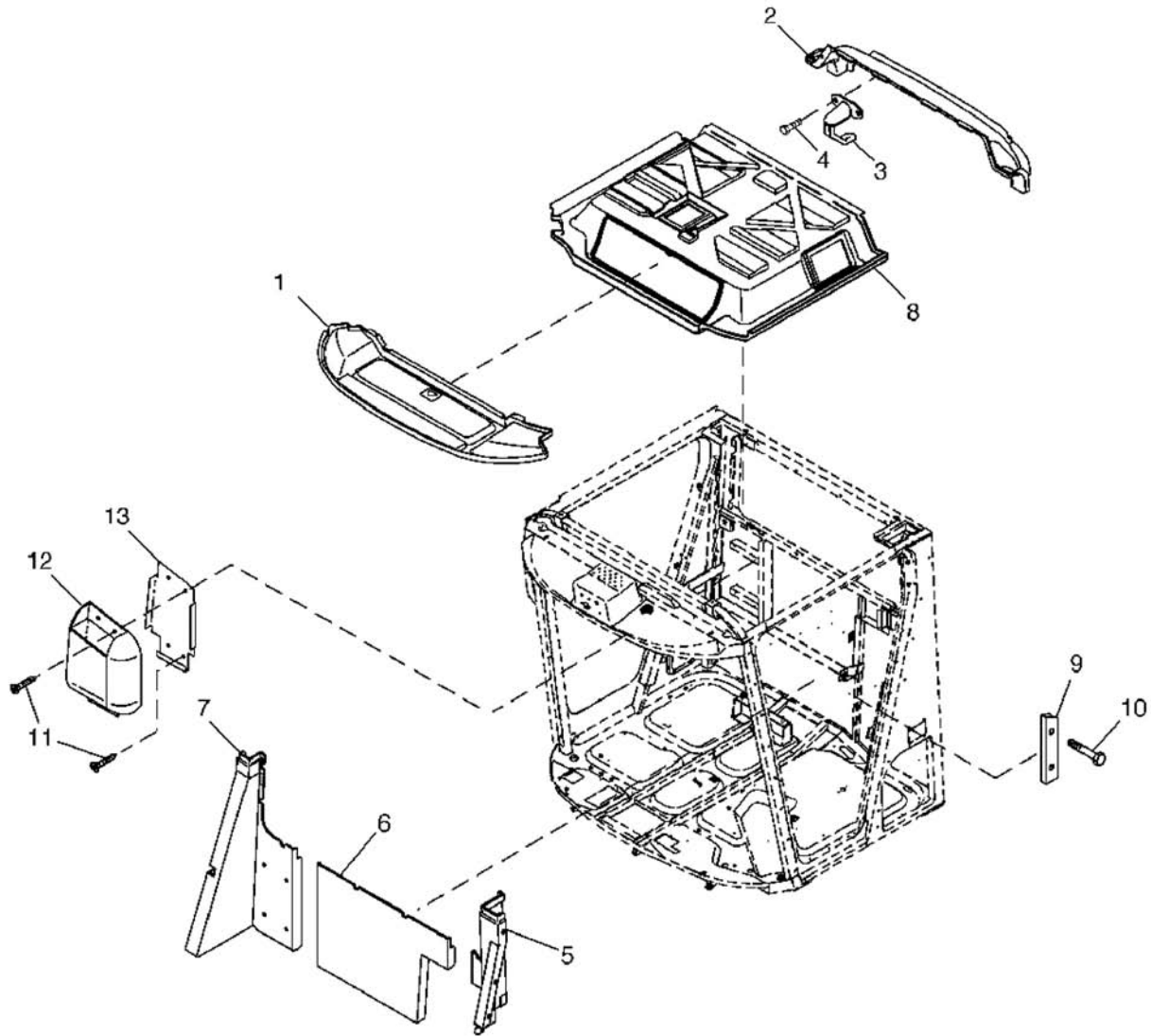
ITEM	PART #	QTY	DESCRIPTION	COMMENTS
1	AG517804	1	FILTER CAB AIR	[A]
1	AG519413	1	FILTER CHARCOAL	[B]
2	AG713408	1	NUT CAB AIR FILTER	
3	AG713409	1	SNAP RING CAB AIR FILTER	
4	AG713410	1	DOOR CAB AIR FILTER	
5	AG713411	1	KNOB CAB AIR FILTER	
	FOOTNOTE [A]		ROUND IN SHAPE, AG519413 PROTECT AIR FILTER CARBO-GRAN	
	FOOTNOTE [A]		REPLACES THIS PART, IF DESIRED.	
	FOOTNOTE [B]		REPLACES AG517878 ON 844	
	FOOTNOTE [B]		REPLACEMENT CHARCOAL. P/N AG710237	
	FOOTNOTE [B]		AG710237 ONLY GOOD FOR AG517878	



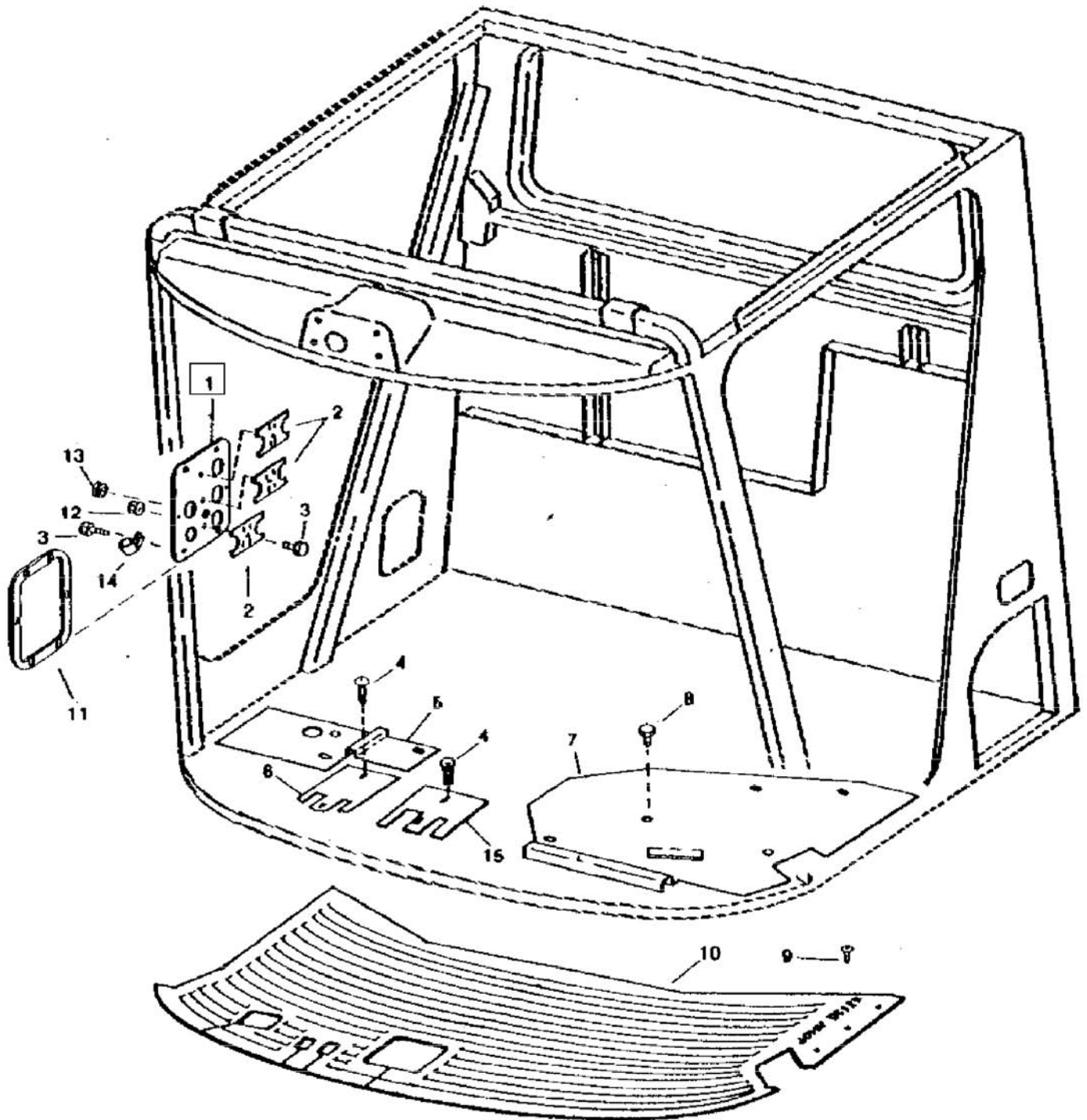
ITEM	PART #	QTY	DESCRIPTION	COMMENTS
1	AG717882	1	PAD-FOAM	



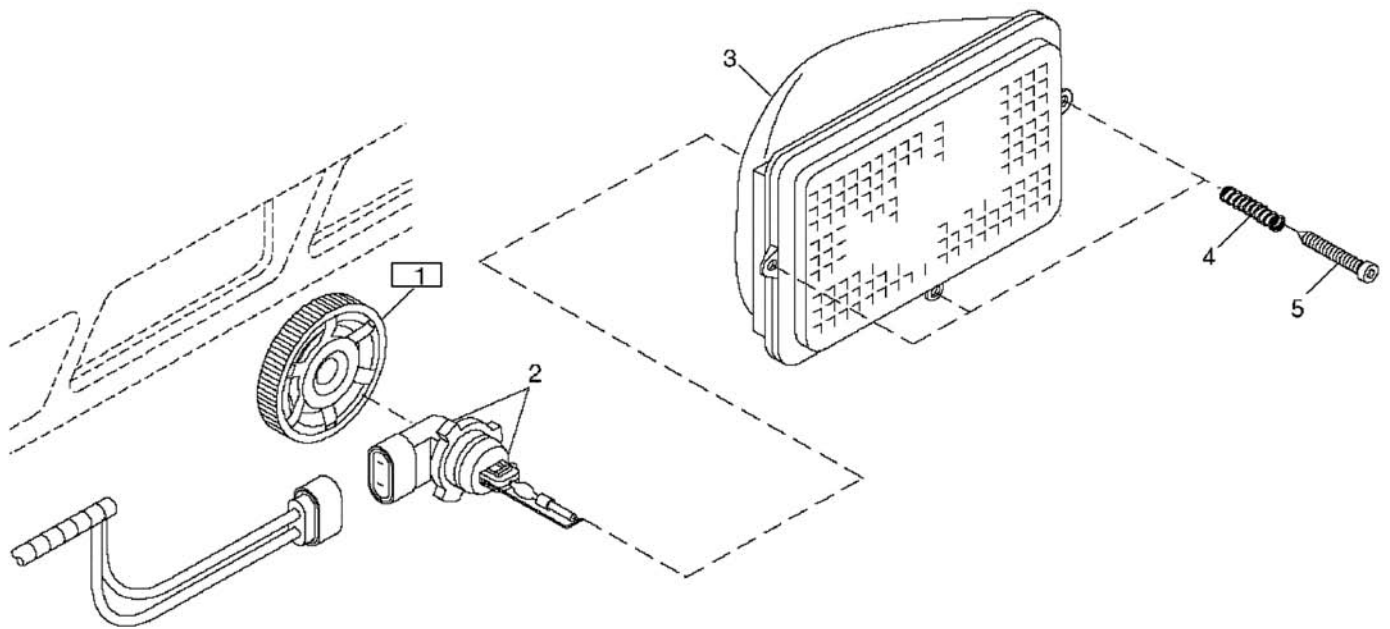
ITEM	PART #	QTY	DESCRIPTION	COMMENTS
4	AG712793	1	WINDSHIELD	
5	AG712789	1	WINDOWPANE	
6	AG727046	1	DOOR / GLASS-ROGATOR	
7	AG712790	1	WINDOWPANE	
13	AG723373	1	WEATHER STRIPPING WINDOW	
19	AG061143	1	COVER/ASSY	
20	AG061142	1	LATCH/ASSY	
28	AG061212	1	TUBE/DOOR RELEASE	
32	AG061144	1	GASKET/HANDLE LARGE	
33	AG061145	1	GASKET/HANDLE SMALL	
34	AG061146	1	BUSHING	
35	AG061139	1	HANDLE/ASSY	
36	AG562485	1	BOLT M8 -1.25X40MM G8.8 ZN HHD	
38	AG061140	1	BRACKET/HANDLE,DOOR	
39	AG061141	1	SPACER	
40	AG725549	2	WASHER 8.4X16X16MM	



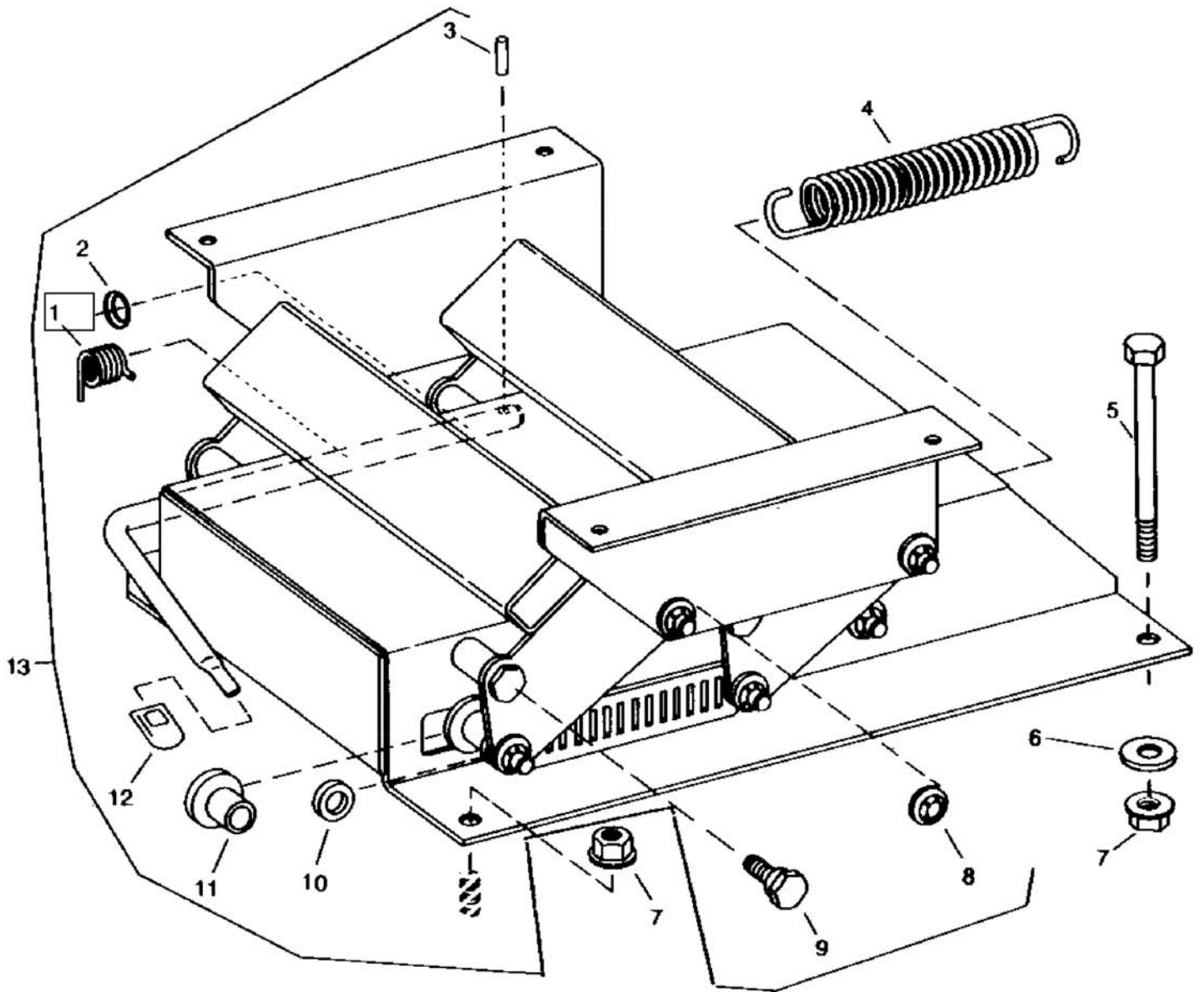
ITEM	PART #	QTY	DESCRIPTION	COMMENTS
1	AG727627	1	HEADLINER/FRONT	
2	AG727628	1	HEADLINGER/REAR	
5	AG727629	1	PANEL/INTERIOR LH	
7	AG727631	1	PANEL/INTERIOR RH	
8	AG727632	1	HEADLINER/MAIN	



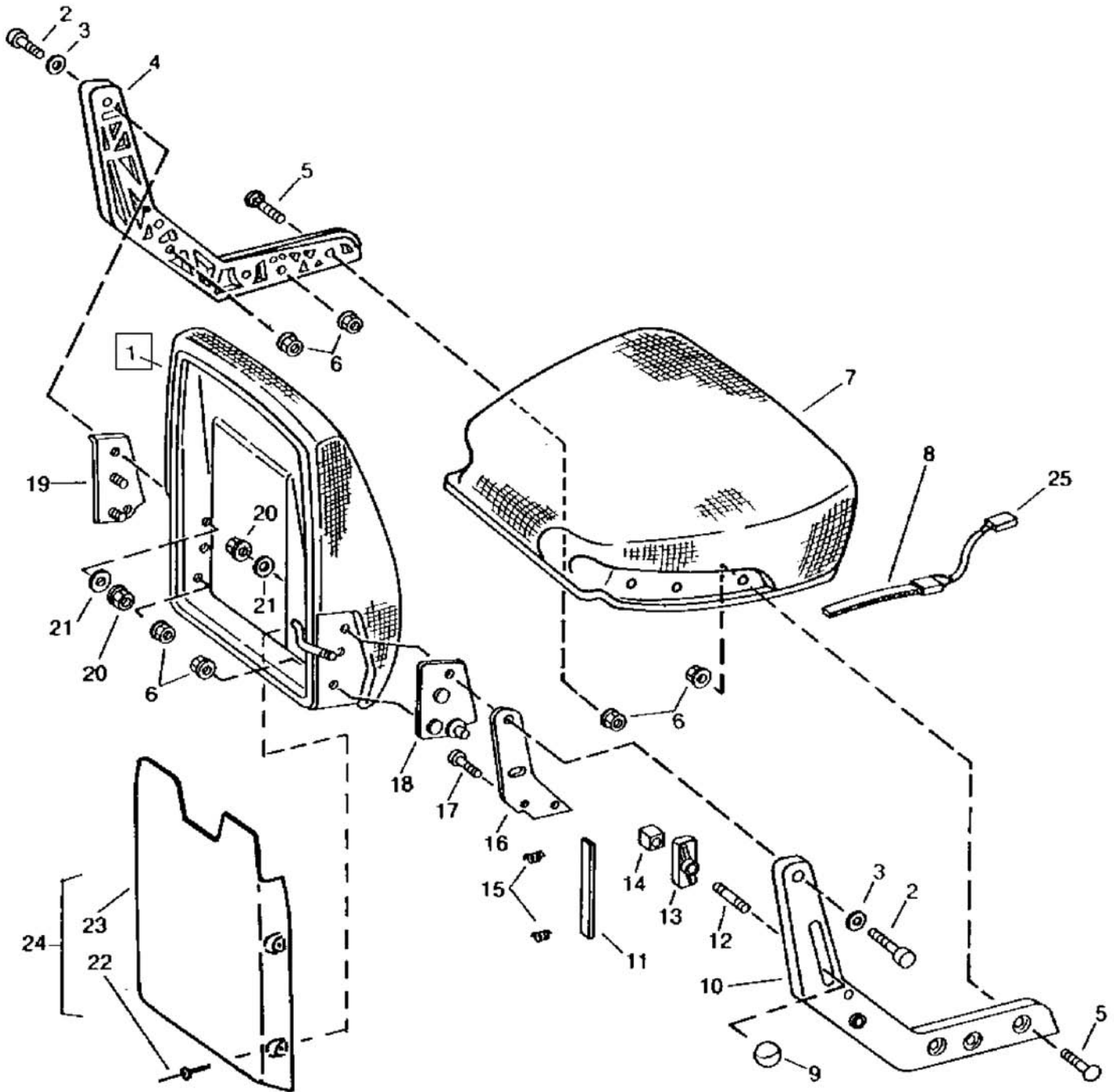
ITEM	PART #	QTY	DESCRIPTION	COMMENTS
10	AG727626	1	FLOOR MAT/STANDARD,JD CAB	



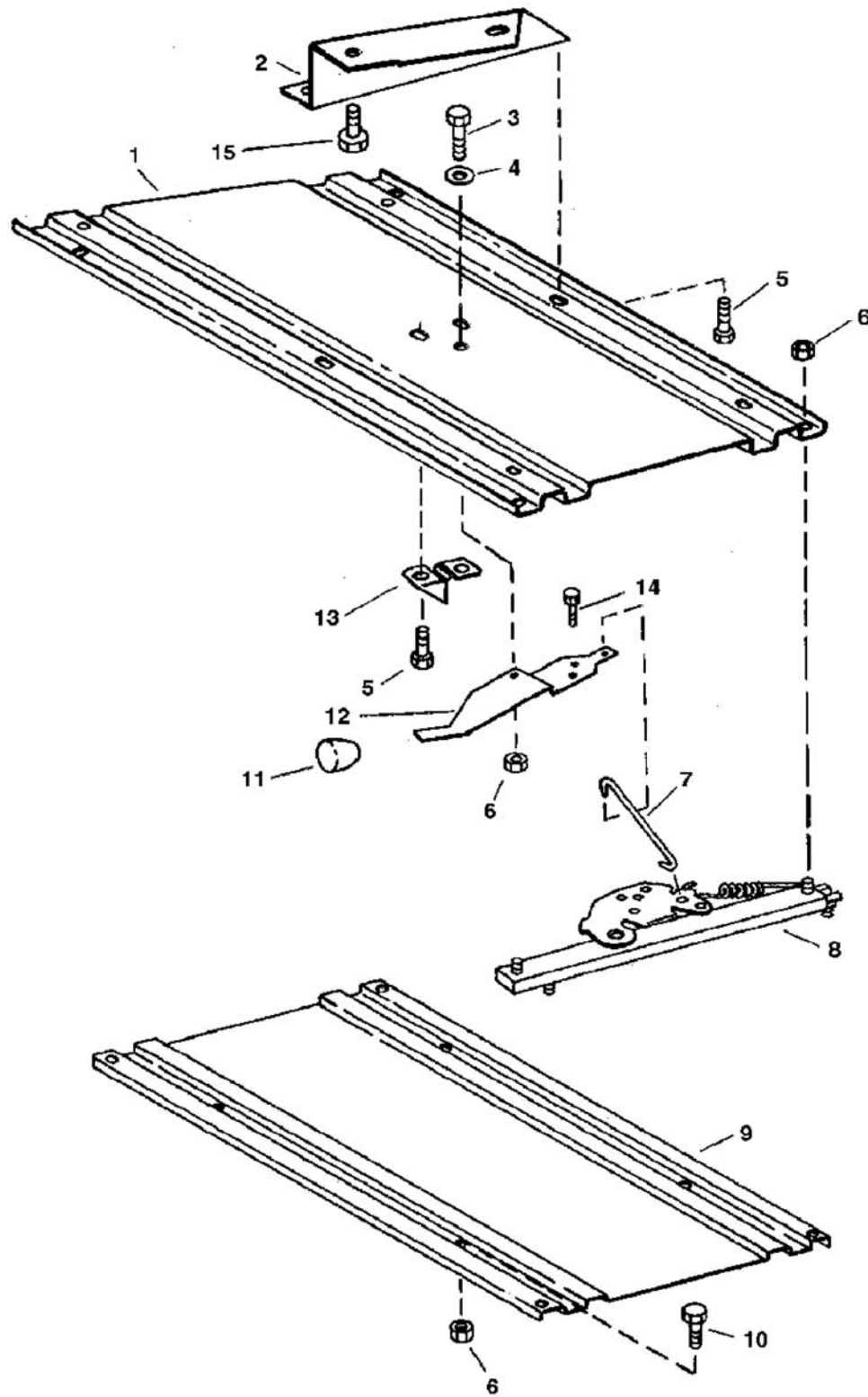
ITEM	PART #	QTY	DESCRIPTION	COMMENTS
1	AG713339	1	RETAINER	
2	AG713340	1	BULB	
4	AG713343	3	SPRING	
5	AG713344	3	SCREW	



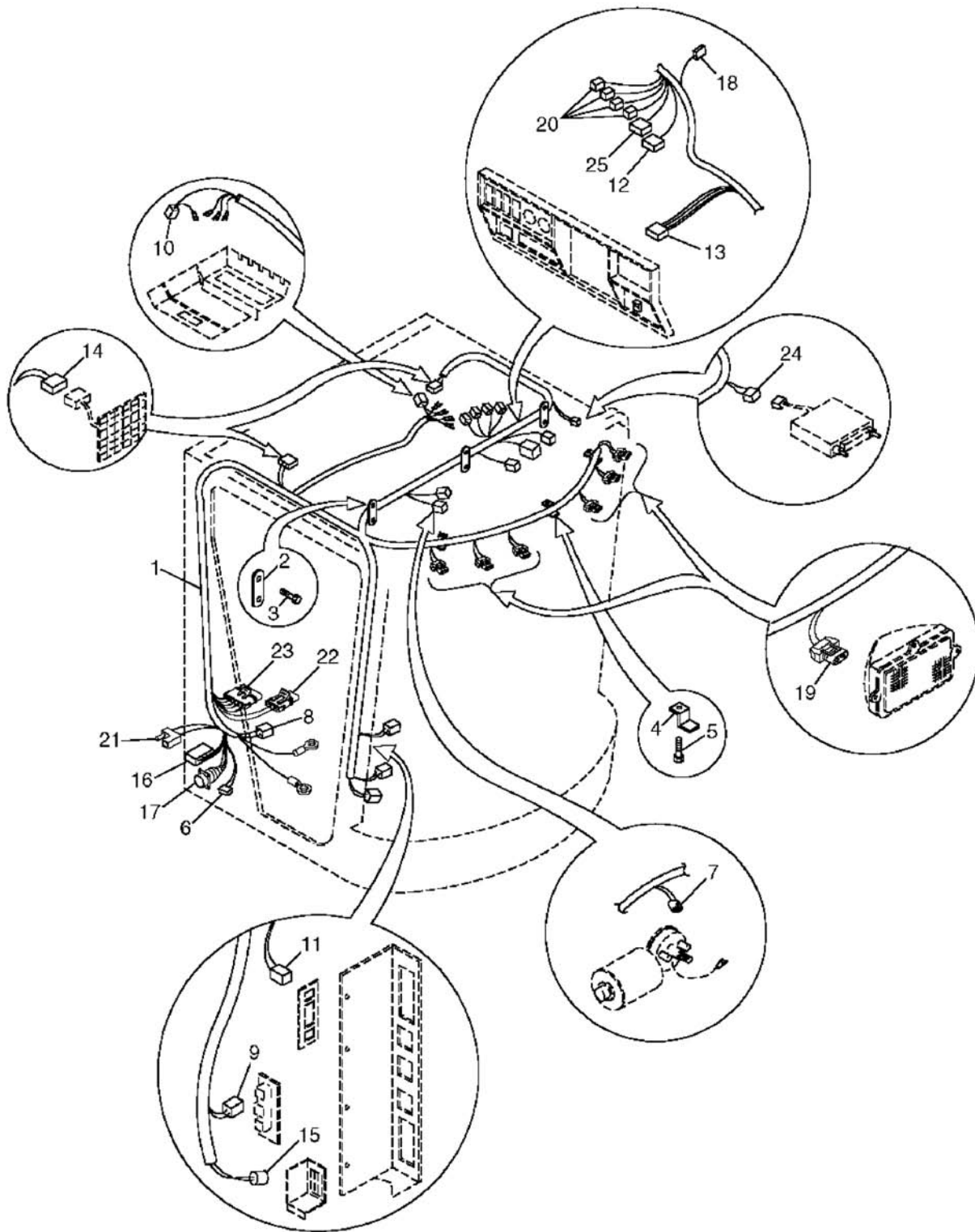
ITEM	PART #	QTY	DESCRIPTION	COMMENTS
7	AG714073	4	FLANGE NUT M10	



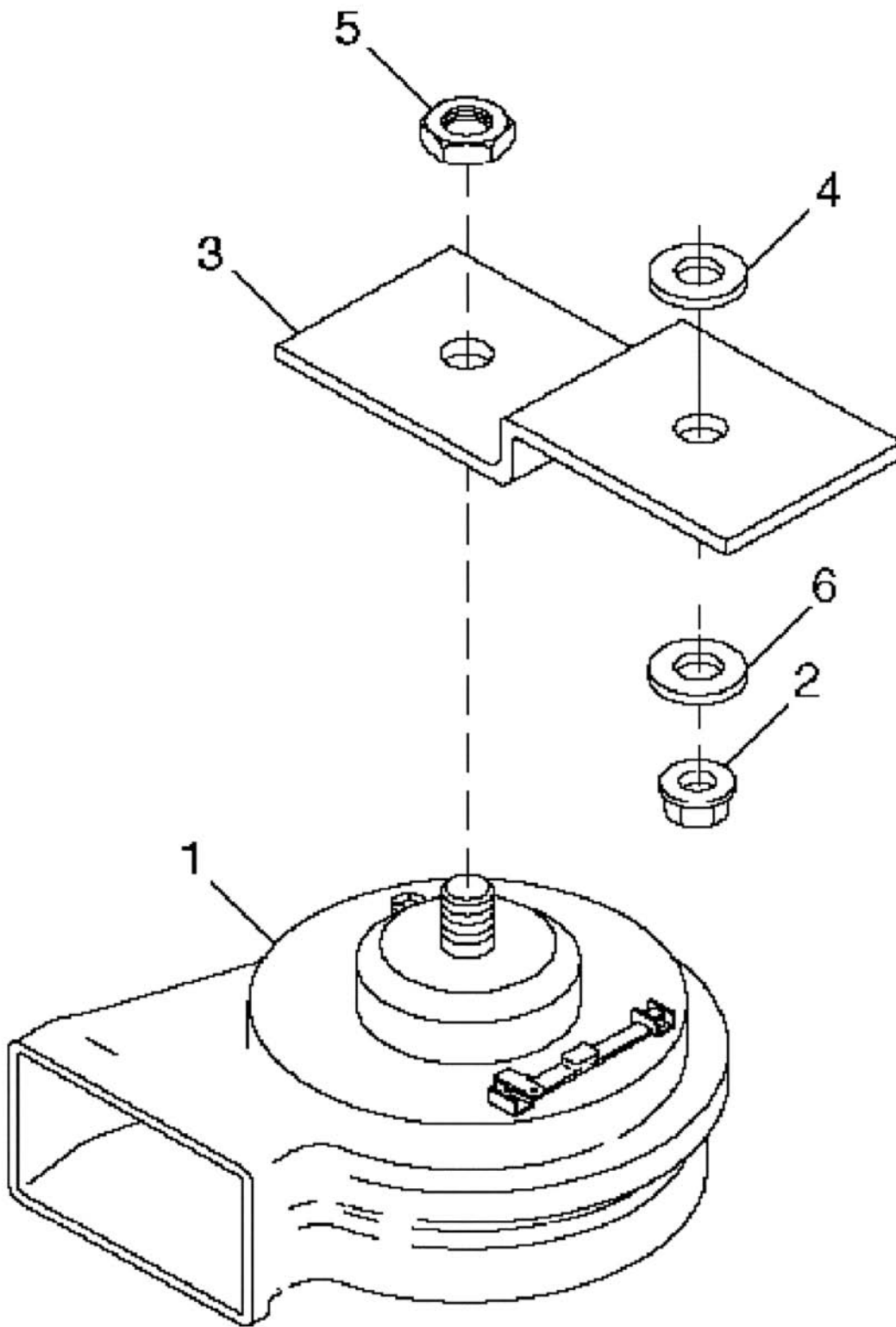
ITEM	PART #	QTY	DESCRIPTION	COMMENTS
REF	AG716784	1	SUPPORT-ARMREST	
4	AG716746	1	SUPPORT-BACKREST LH	
18	AG716785	1	REST-SEAT CUSHION	



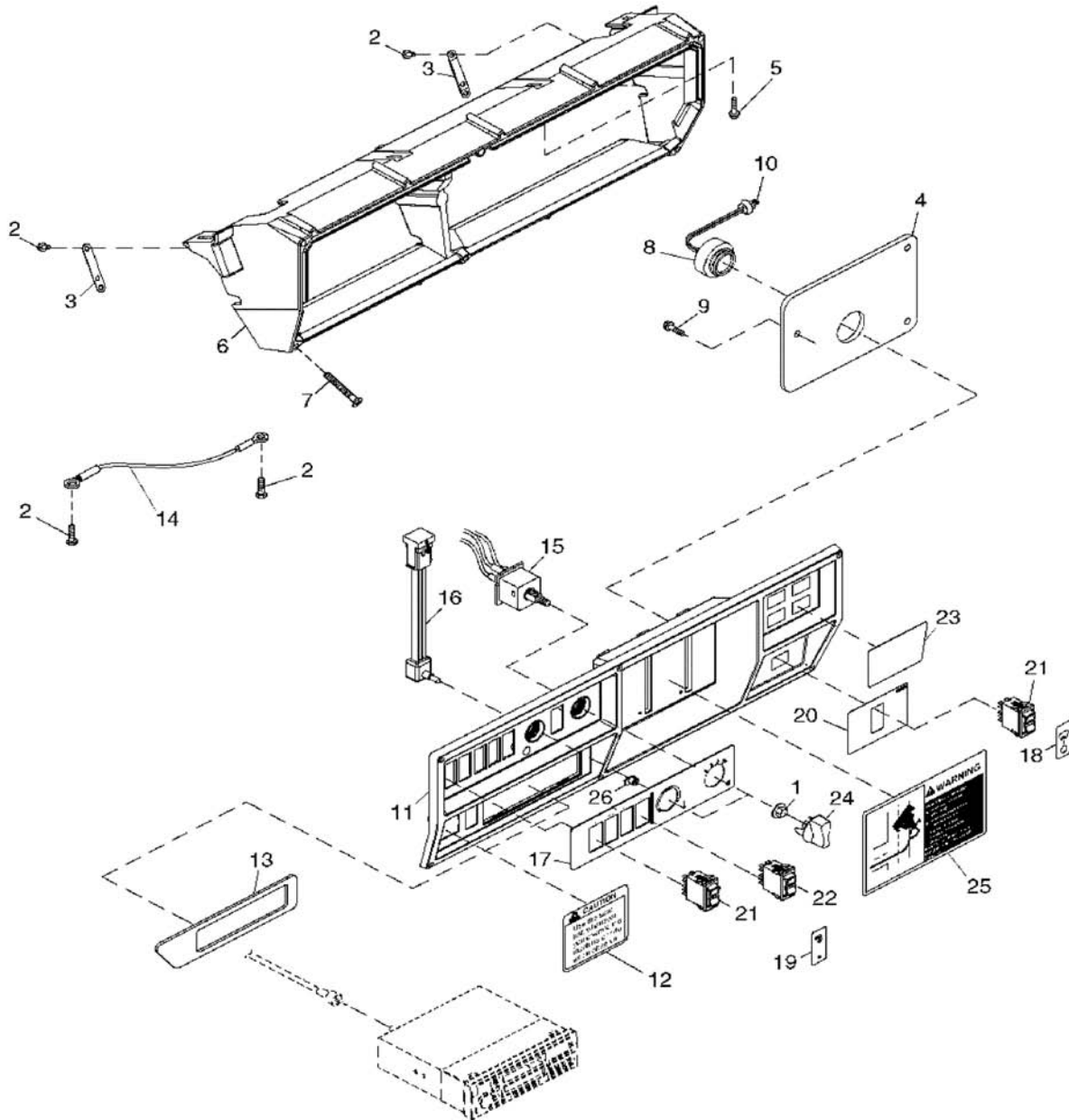
ITEM	PART #	QTY	DESCRIPTION	COMMENTS
3	AG060161	1	SCREW-HFM8X1.25X30 ZN	



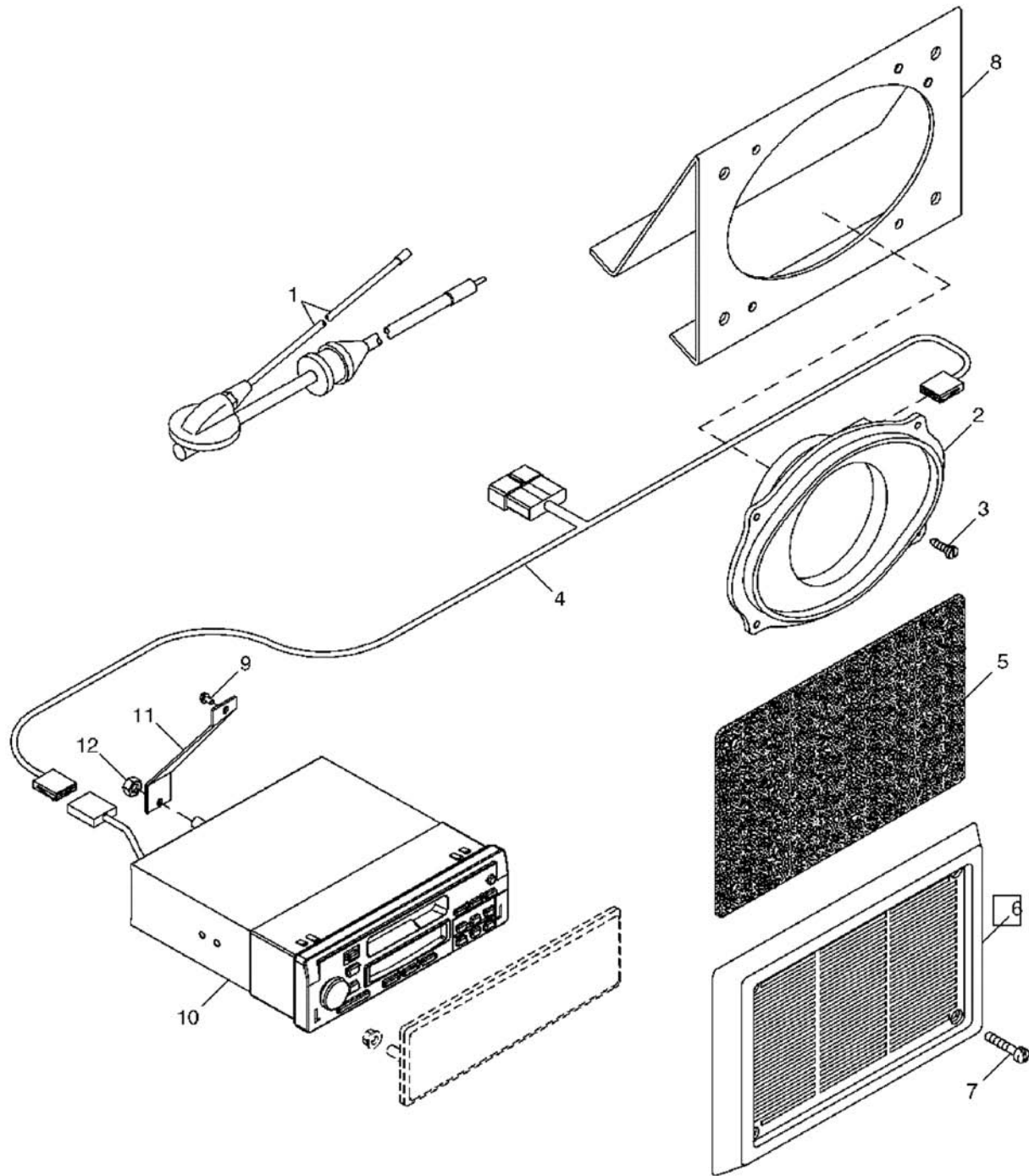
ITEM	PART #	QTY	DESCRIPTION	COMMENTS
1	AG061188	1	HARNESS/CAB MAIN	
3	AG714069	3	SCREW	



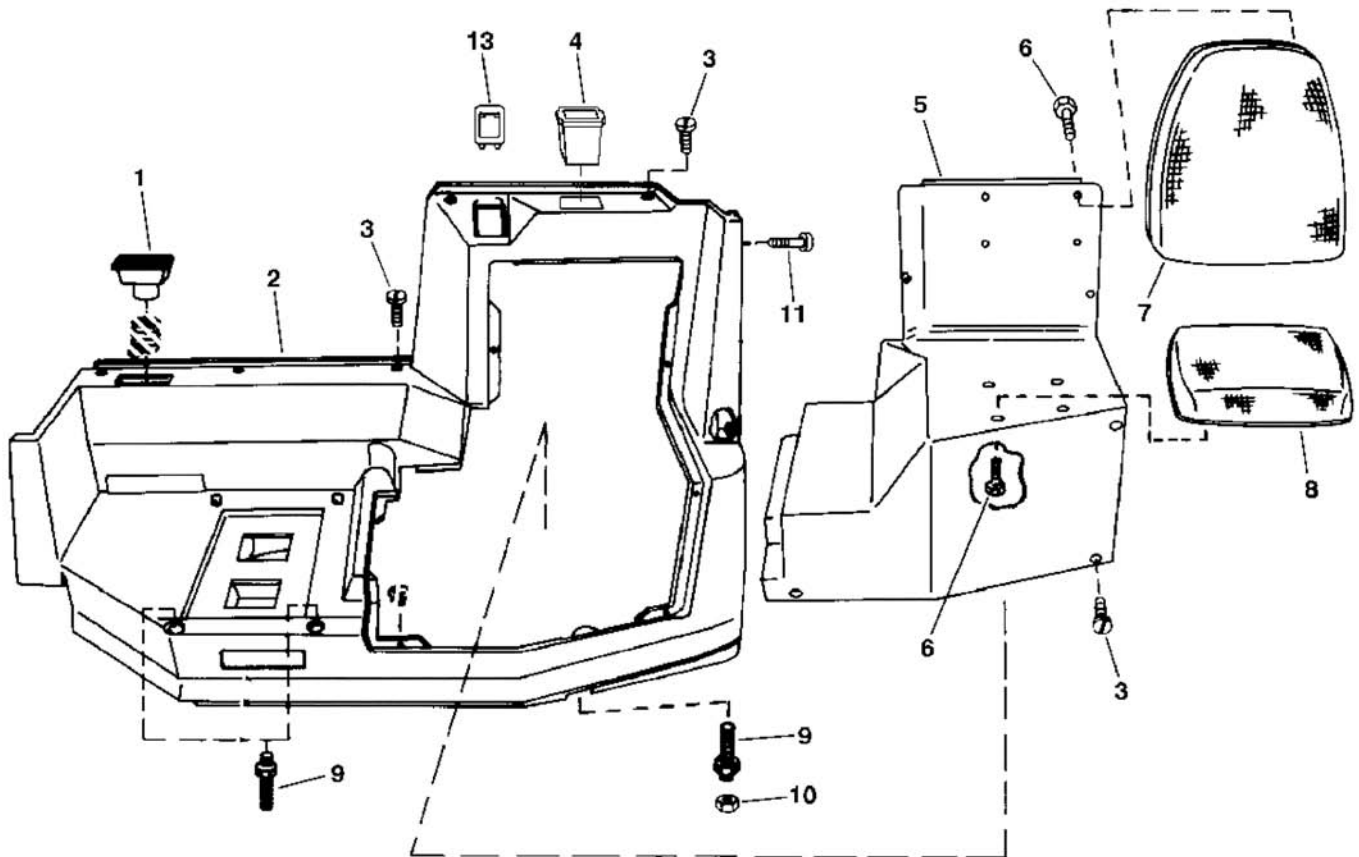
ITEM	PART #	QTY	DESCRIPTION	COMMENTS
1	AG713895	1	HORN	
2	AG713936	2	FLANGE NUT	
4	AG713938	1	WASHER	



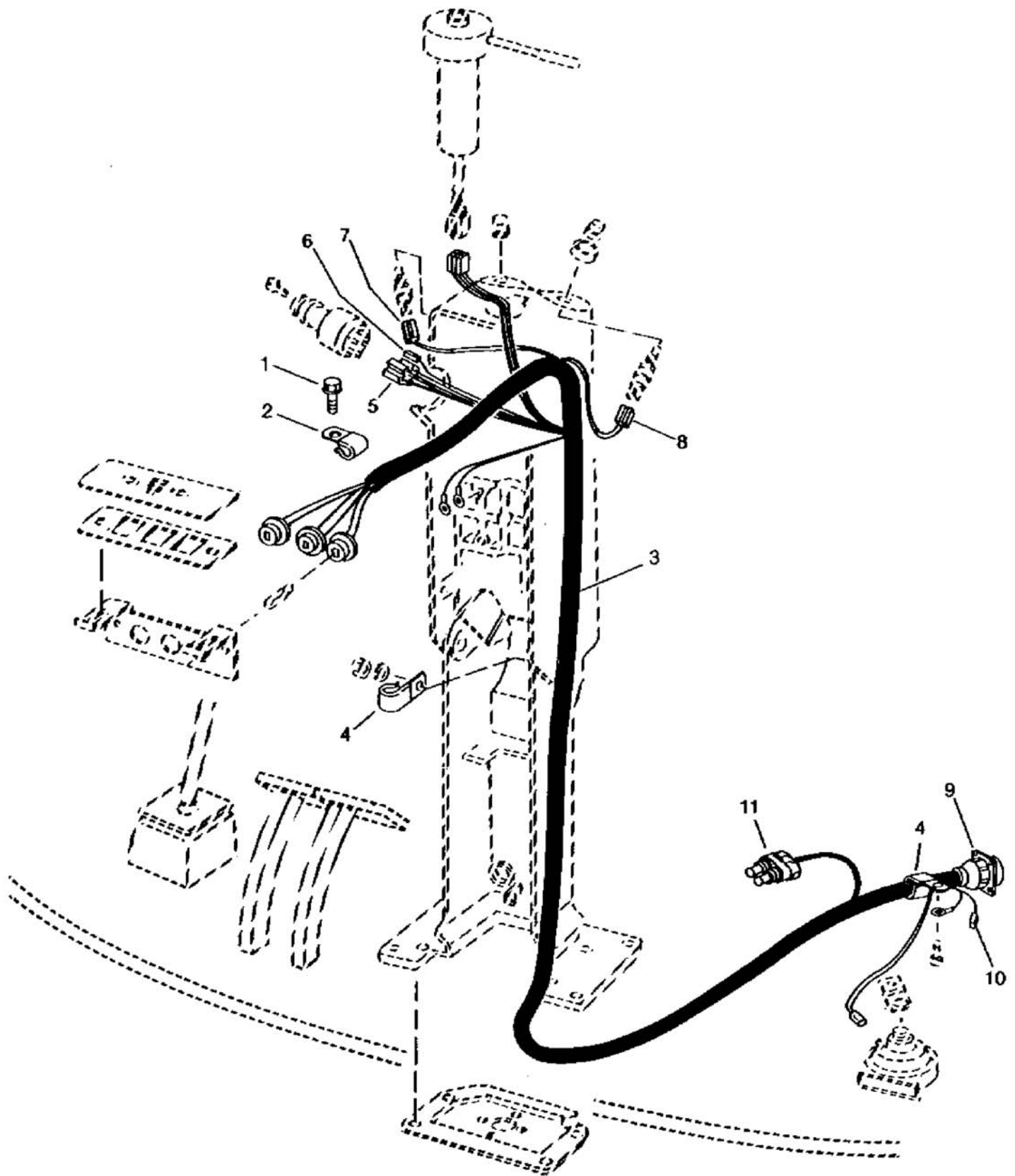
ITEM	PART #	QTY	DESCRIPTION	COMMENTS
REF	AG061202	1	LABEL/ROAD	
REF	AG061203	1	LABEL/FIELD	
REF	AG061204	1	LABEL/WORK	
2	AG714069	7	SCREW	
5	AG714071	4	SCREW	
6	AG714070	1	SUPPORT	
13	AG061187	1	LABEL / HAZARD	
14	AG714068	2	CABLE	
15	AG061198	1	SWITCH/AC BLOWER	
16	AG061199	1	POTENTIOMETER	
17	AG061200	1	PANEL/LIGHTS	
21	AG061229	3	SWITCH	
22	AG061192	1	SWITCH/WORK LIGHTS	
23	AG061207	1	LABEL/WIPE-WASH	
24	AG061205	2	KNOB	
26	AG061206	1	CAM	



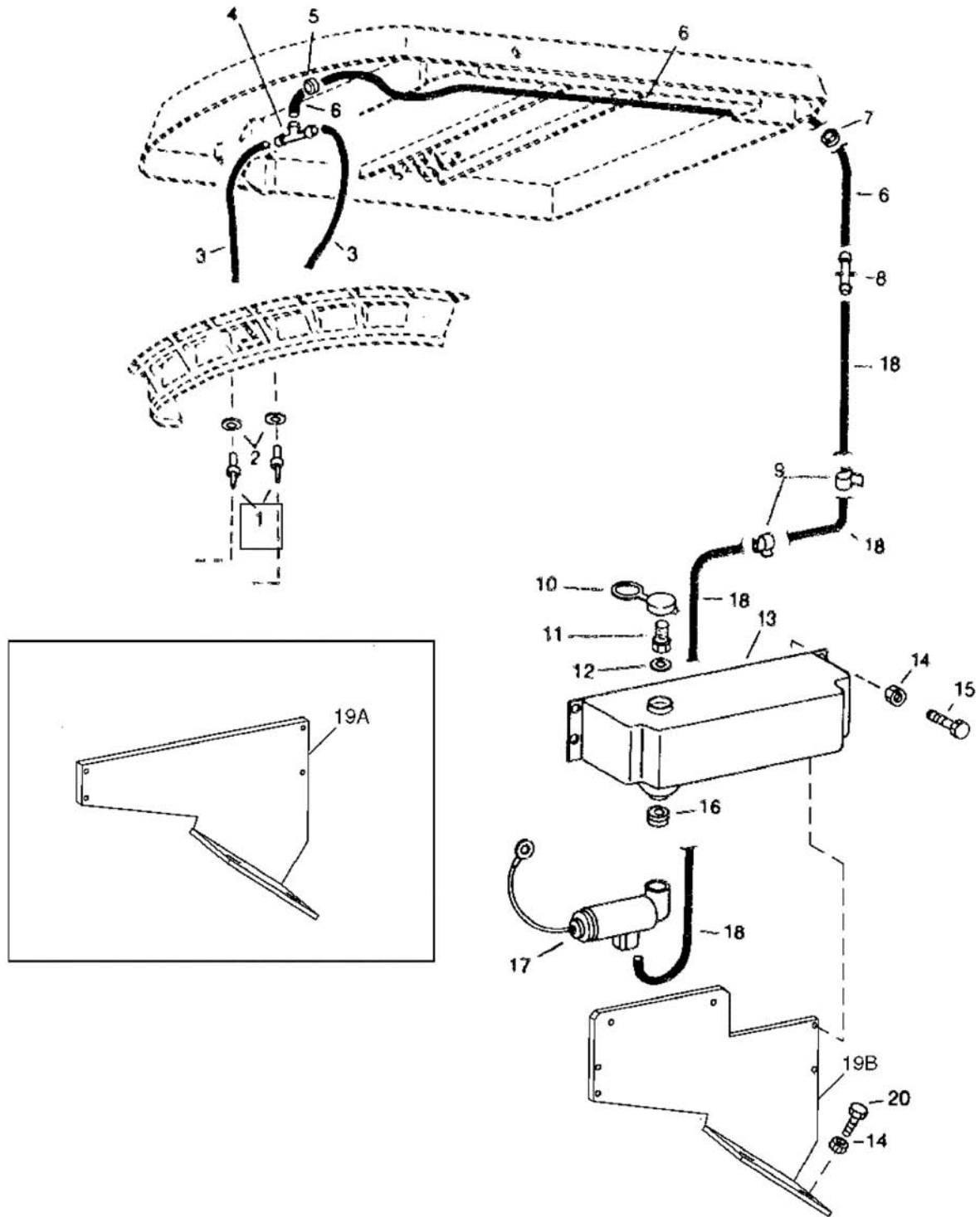
ITEM	PART #	QTY	DESCRIPTION	COMMENTS
1	AG129780	1	ANTENNA / RADIO	
2	AG716493	2	SPEAKER-RADIO,854	
4	AG726927	1	HARNESS	
5	AG713382	1	ISOLATOR	
6	AG061191	2	GRILLE/SPEAKER	
8	AG714066	1	SUPPORT	
9	AG714069	1	SCREW	
10	AG726926	1	RADIO/ROGATOR-DELCO	[A]
	FOOTNOTE [A]		IF INSTALLING IN A 2002 OR OLDER UNIT ORDER 1-AG726928 MOUNT BRKT & 1-AG726927 HARNESS ADAPT.	



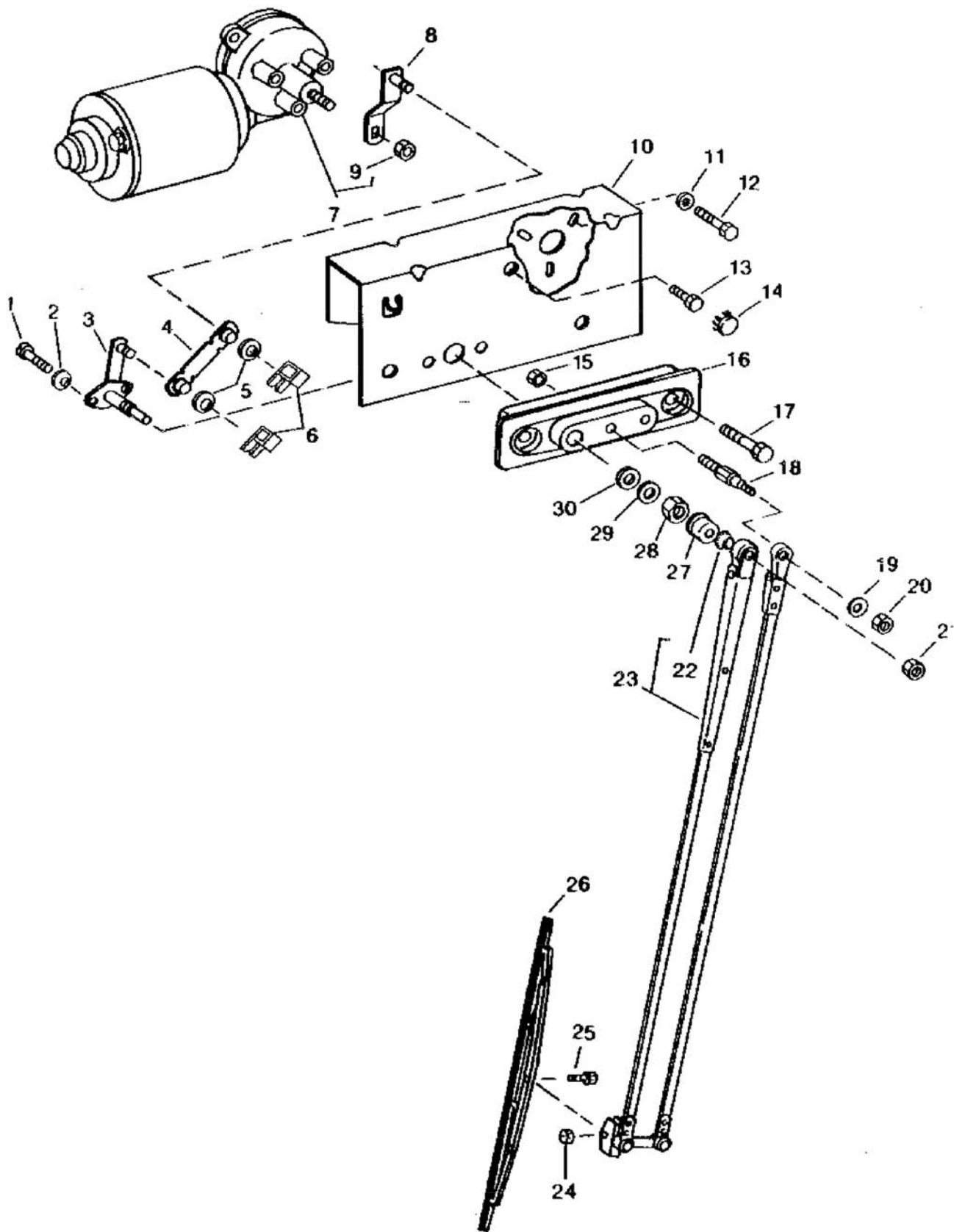
ITEM	PART #	QTY	DESCRIPTION	COMMENTS
1	AG712799	1	BOX	
10	AG714073	4	FLANGE NUT M10	
13	AG061240	1	COVER / AC	



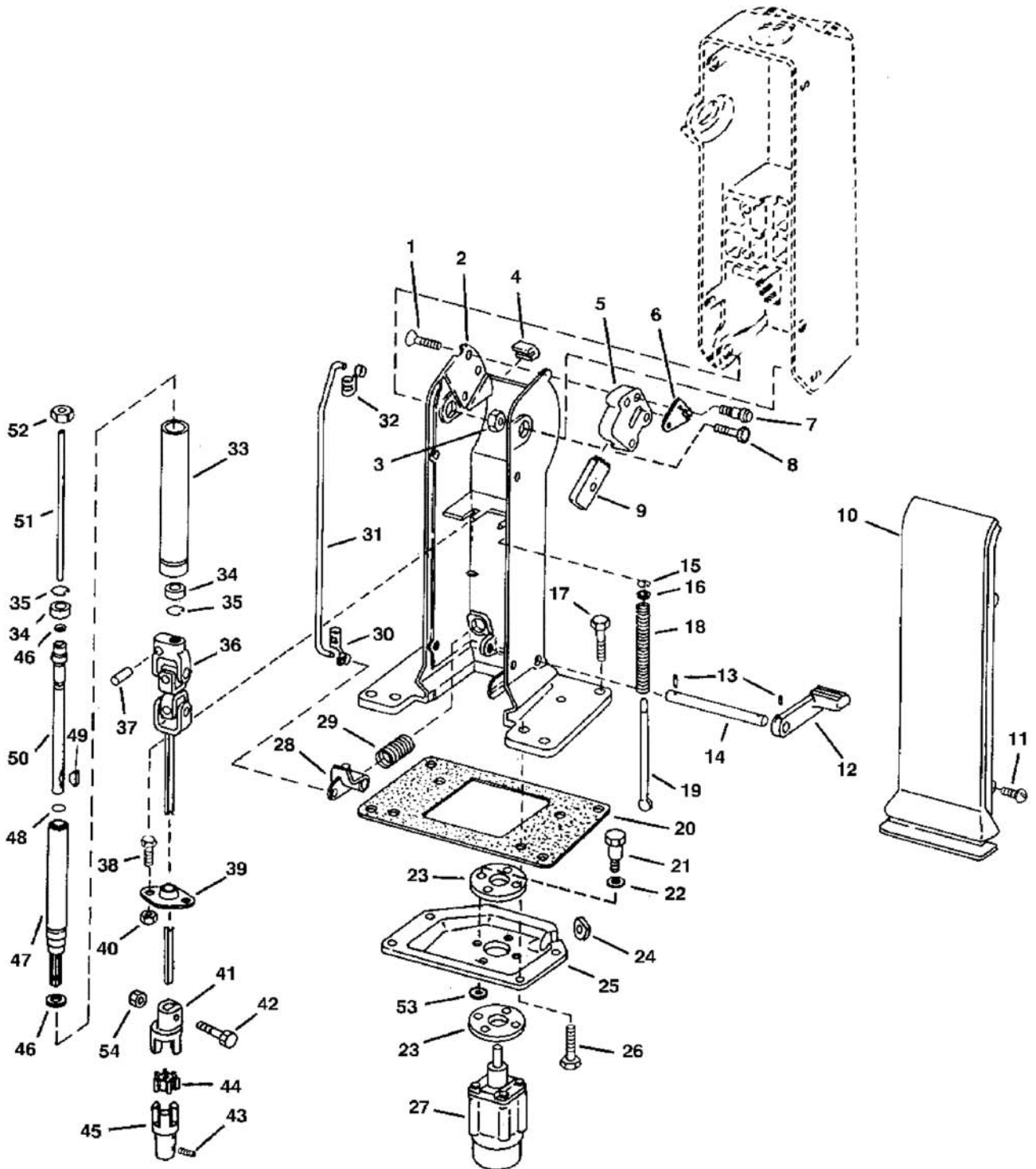
ITEM	PART #	QTY	DESCRIPTION	COMMENTS
3	AG713355	1	WIRING HARNESS	[A]
9	AG713356 FOOTNOTE [A]	1	RECEPTACLE 24 HOLE USE AG724922	



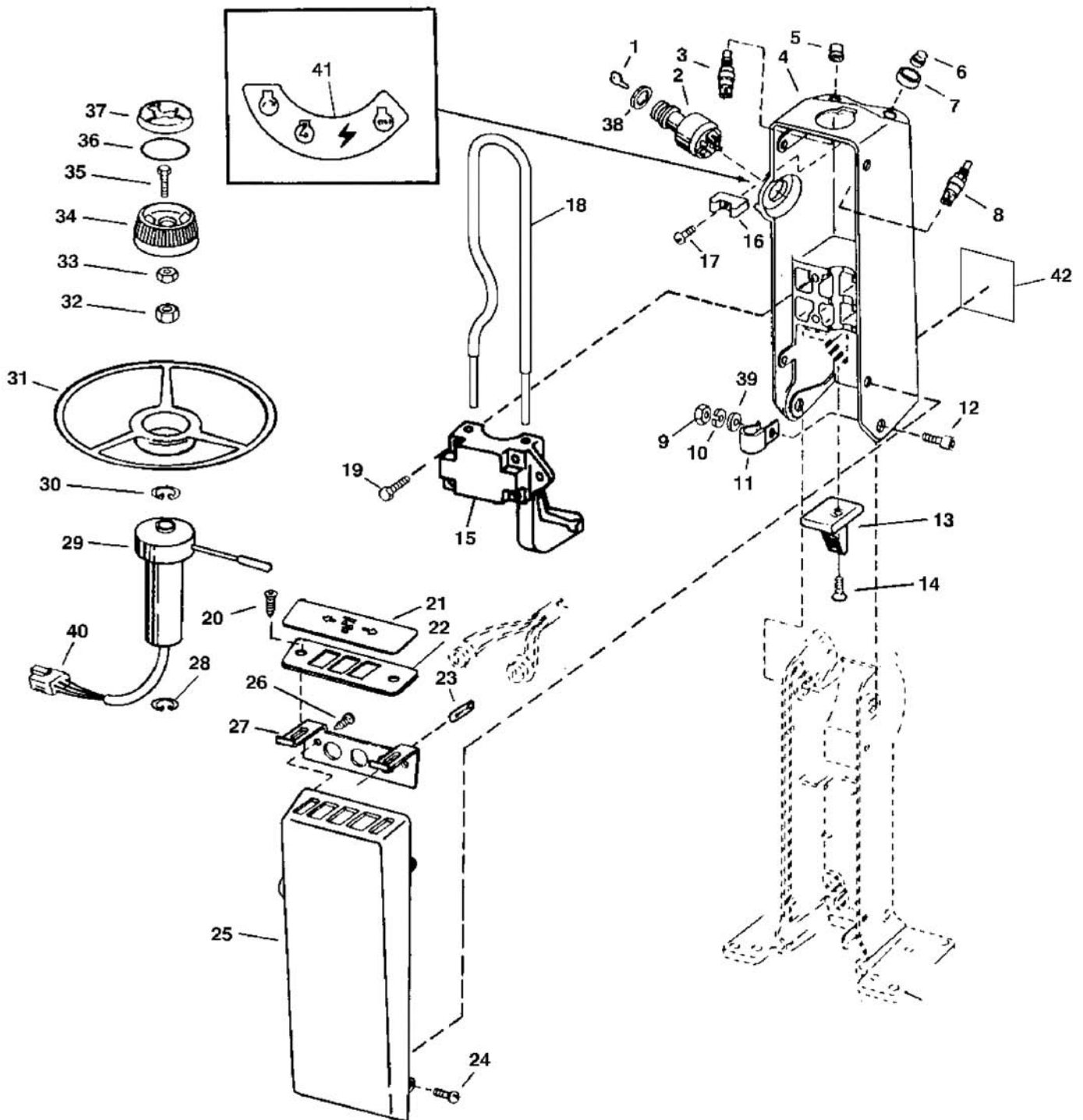
ITEM	PART #	QTY	DESCRIPTION	COMMENTS
1	AG713009	2	NOZZLE	
2	AG716962	2	WASHER NOZZLE GROMMET	
8	AG713371	1	FITTING	
10	AG713372	1	CAP	
11	AG713011	1	PUMP	
12	AG713373	1	WASHER 16.256X26.162X2.286MM	
13	AG713374	1	RESERVOIR WINDSHIELD WASHER	
14	AG713936	4	FLANGE NUT	
16	AG713375	1	GROMMET WINDSHIELD WASHER	
17	AG713376	1	PUMP WINDSHIELD WASHER	[A]
	FOOTNOTE [A]		DOES NOT COME WITH FILTER NUT.	



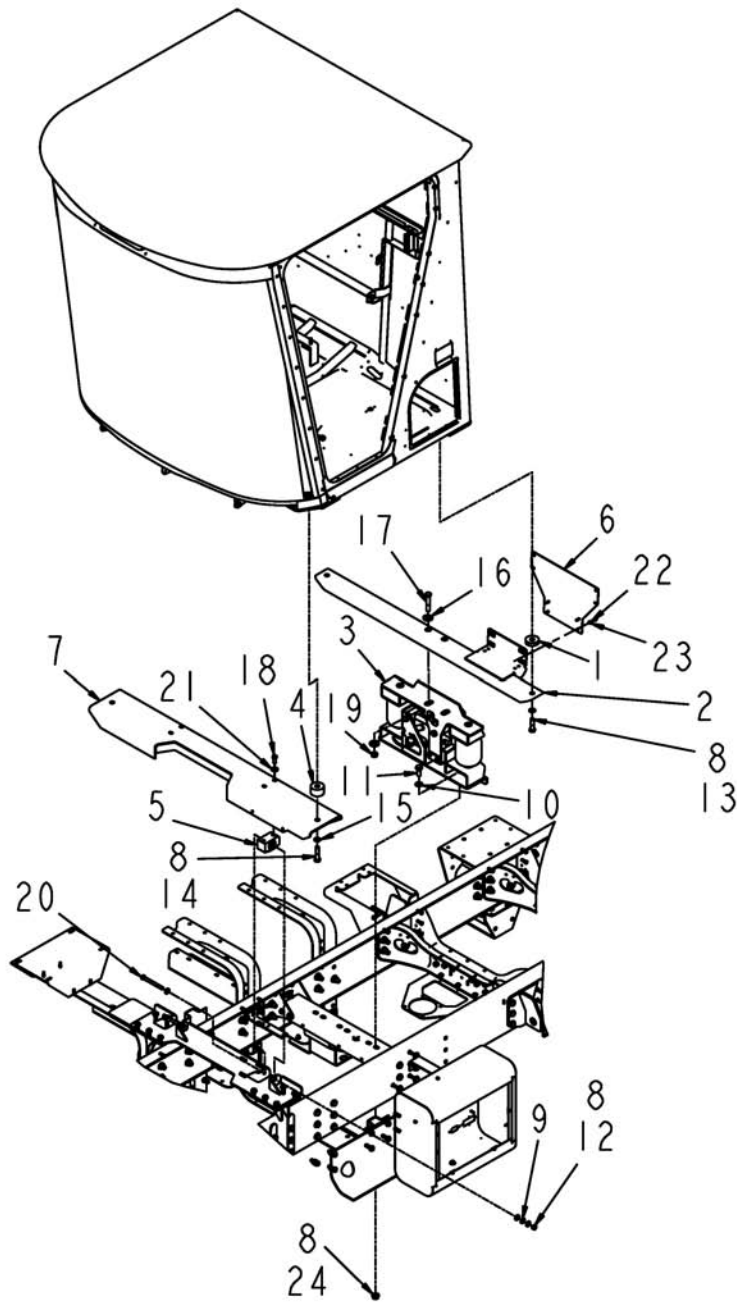
ITEM	PART #	QTY	DESCRIPTION	COMMENTS
3	AG713363	1	SHAFT WINDSHIELD WIPER	
4	AG713364	1	LINK WINDSHIELD WIPER	
5	AG713365	2	SHIM WINDSHIELD WIPER	
6	AG713366	2	CLIP WINDSHIELD WIPER	
7	AG713367	1	MOTOR	
11	AG715792	3	LOCKWASHER	
15	AG713936	1	FLANGE NUT	
16	AG713369	1	SUPPORT WINDSHIELD WIPER	
18	AG713322	1	STUD	
22	AG715796	1	WELD NUT	
25	AG713323	1	SCREW	
26	WR51424	1	BLADE-WIPER,CAB	
27	AG717862	1	CAP- WINDSHIELD WIPER	
28	AG723398	1	NUT	
29	AG723397	1	WASHER	
30	AG723392	1	WASHER	



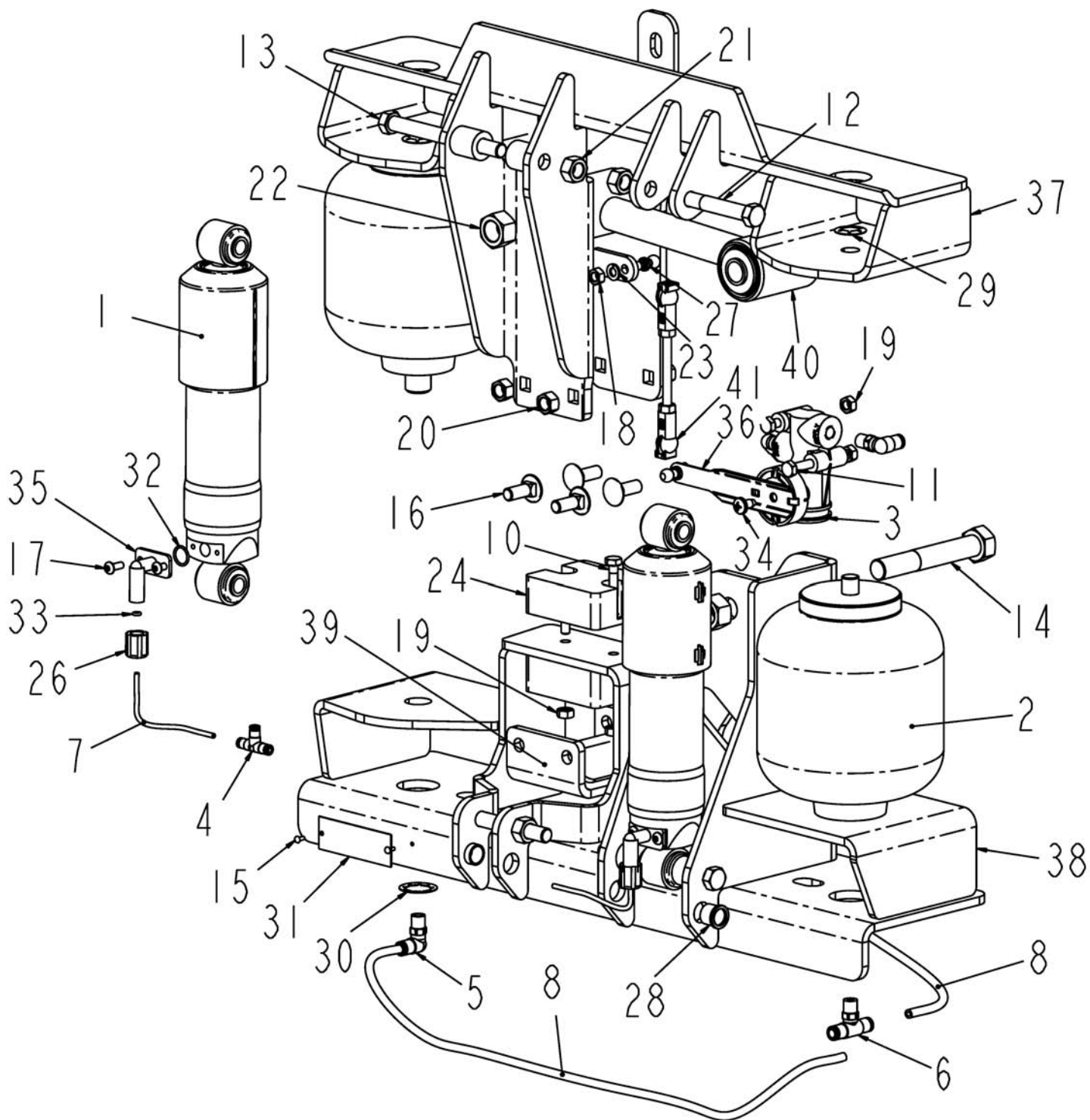
ITEM	PART #	QTY	DESCRIPTION	COMMENTS
2	AG714803	1	LOWER COLUMN HOUSING	
3	AG724359	2	NUT 10MMX1.5 PITCH	
5	AG712868	1	HOUSING	
7	AG712869	2	BOLT	
10	AG724194	1	COVER LOWER STRG COLUMN	
16	AG725549	1	WASHER 8.4X16X16MM	
18	AG725548	1	SPRING	
19	AG722647	1	ROD STRG COLUMN	
20	AG716762	1	SEAL-STEERING COLUMN	



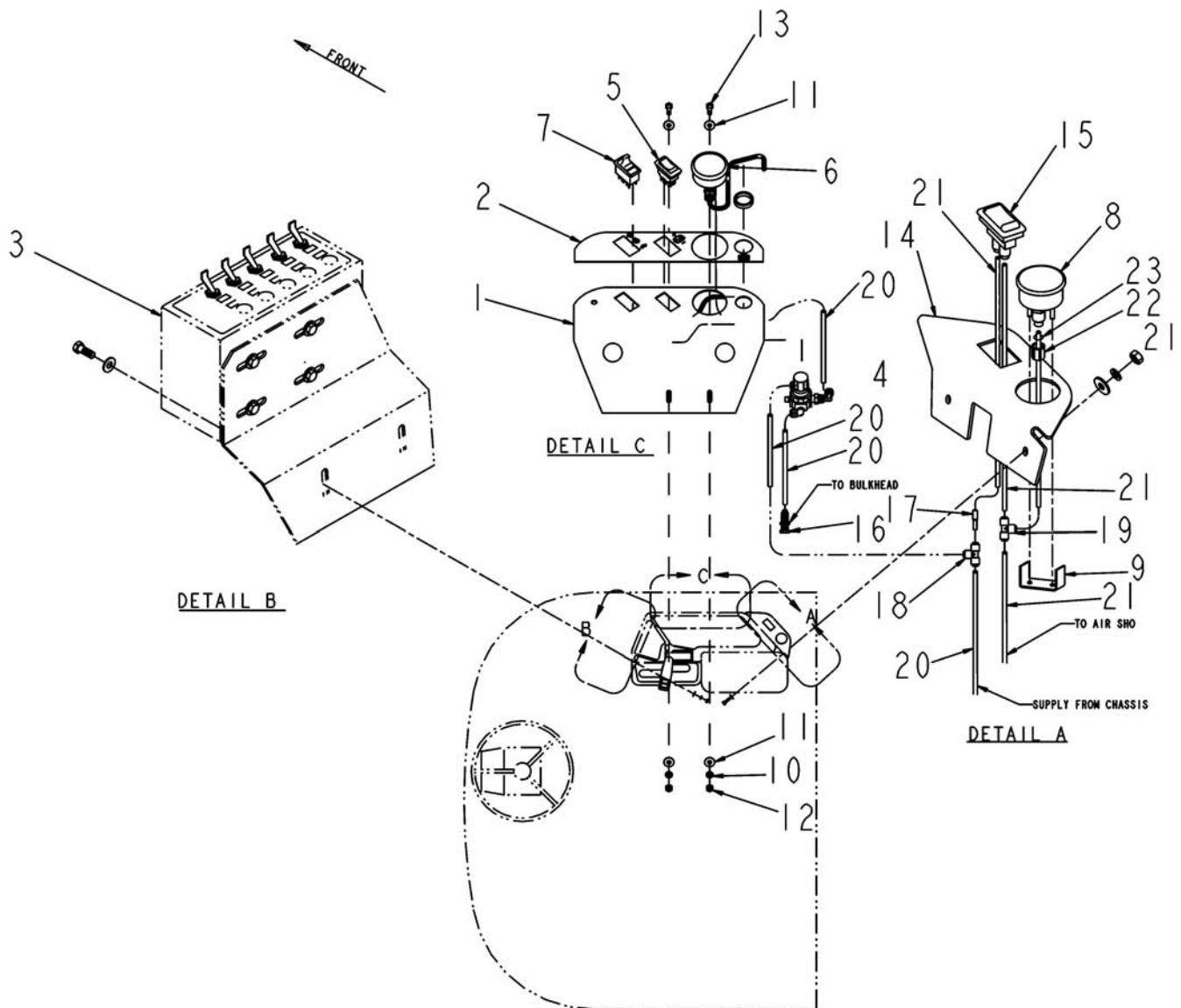
ITEM	PART #	QTY	DESCRIPTION	COMMENTS
REF	AG727623	1	KEY/START SWITCH	
1	AG712807	29	SWITCH TURN SIGNAL	
1	AG712870	1	KEY	
3	AG519872	1	SWITCH-ELEC,PB,OFF-(ON),SPST	
5	AG712803	1	CAP	
6	AG519878	1	COVER SWITCH ETHER AID	
7	AG519918	1	GUARD SWITCH ETHER	
9	AG724359	2	NUT 10MMX1.5 PITCH	
23	AG712806	AR	BULB	
25	AG727624	1	COVER/FRONT STEER COLUMN	
31	AG028618	1	WHEEL,STEERING (P)	[A]
34	AG713925	1	KNOB	
36	AG515819	1	O RING	
36	AG713924	1	CAPSCREW	
38	AG727625	1	NUT/IGNITION SWITCH	
39	AG714610	1	WASHER	
40	AG519001	1	HOUSING PLUG 9 POSITION	
	FOOTNOTE [A]		THIS IS THE NEW SMALL SIZE ROGATOR STEERING WHEEL	



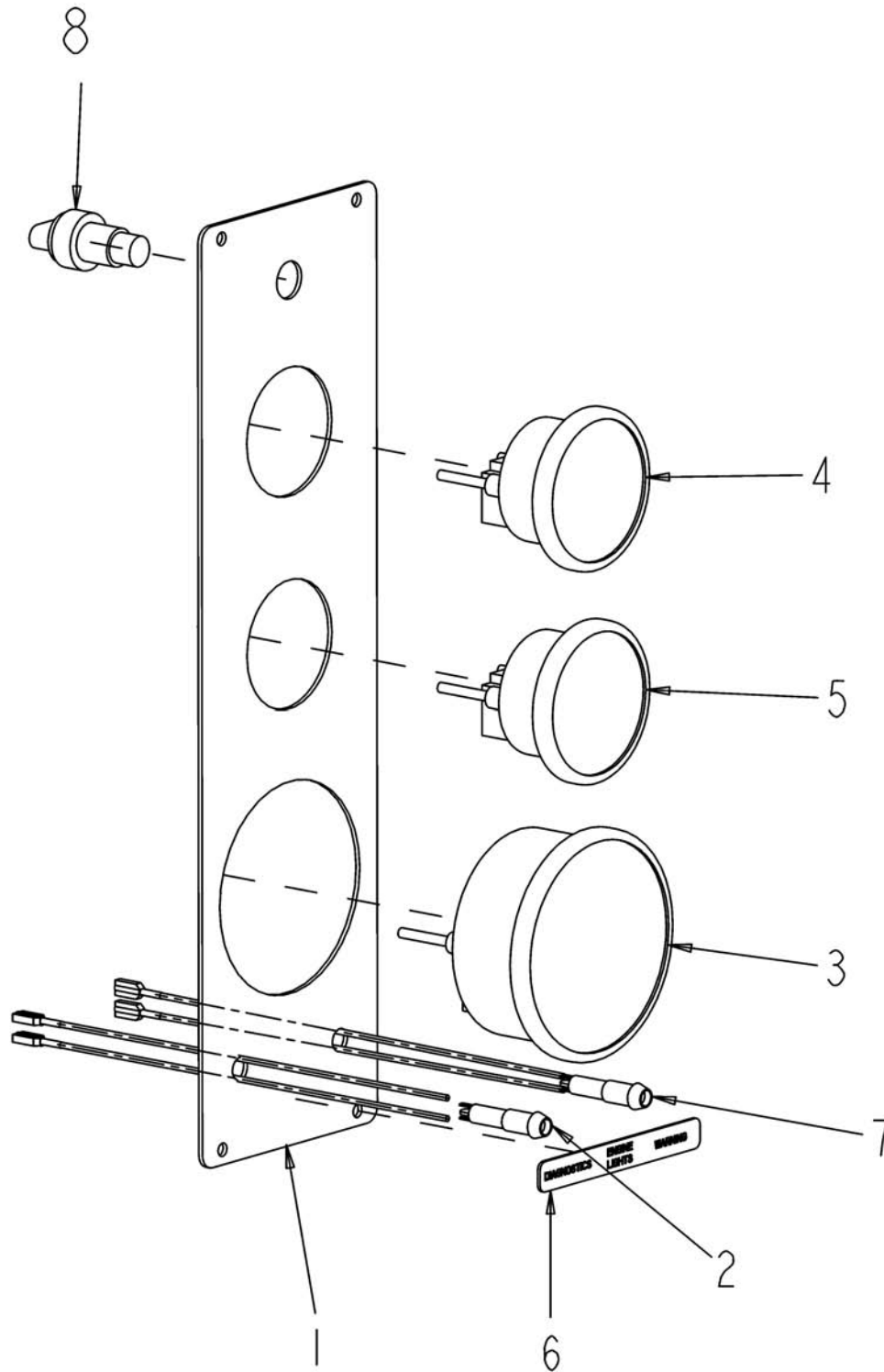
ITEM	PART #	QTY	DESCRIPTION	COMMENTS
1	AG120047	2	SPACER-CAB SUPPORT,REAR	
2	AG121369	1	TUBE WLDMT-SUPPORT,CAB,REAR	
3	AG121887	1	SUSPENSION-CAB,AIR ADJUSTABLE	SEE PAGE 7-32
4	AG127222	2	SPACER-CAB SUPPORT,FRONT	
5	AG239898	2	BUSHING ASM-PIVOT	[A]
6	AG325523	1	PLATE-WASHER,WINDSHIELD	
7	AG328533	1	SUPPORT WLDMT-CAB,FRONT	
8	AG512885	AR	LOCTITE ADHESIVE SEALANT BLUE	
9	AG514554	8	WASHER-FL,.50,ZN,G8,REG	
10	AG515180	3	WASHER 0.62 FL ZN REG G8	
11	AG517556	3	BOLT 0.62-18 X 1.75 G8 HX FLG	
12	AG520614	2	NUT-.50-13,G8,ZN,HH,C-LK	
13	AG523269	2	BOLT-M16-2.0X60,CL10.9,PH,HHD	
14	AG523270	2	BOLT-M16-2.0X70,CL10.9,PH,HHD	
15	AG524534	4	WASHER-FLAT,M16,ZN	
16	AG550310	4	WASHER 0.62 FL ZN REG TYPE-B	
17	AG550469	2	BOLT 0.62-11NCX 3.50 G5 ZN HHD	
18	AG555843	4	BOLT 0.50-13NCX 1.25 G5 PL HHD	
19	AG557692	2	NUT 0.62-11NC HEX ZN C-LK	
20	AG561804	2	BOLT 0.50-13NCX 5.00 G8 ZN HHD	
21	AG562046	4	WASHER FL 0.50 SS REG	
22	AG562049	4	BOLT 0.31-18NCX 0.75 S.S. HHD	
23	AG562051	4	WASHER LK 0.31 SS REG	
24	AG609313	3	NUT HX FLG 0.62-18NF	
	FOOTNOTE [A]		AG522425 - BUSHING ONLY	
	FOOTNOTE [A]		AG239897 - BUSHING HOLDER ONLY	



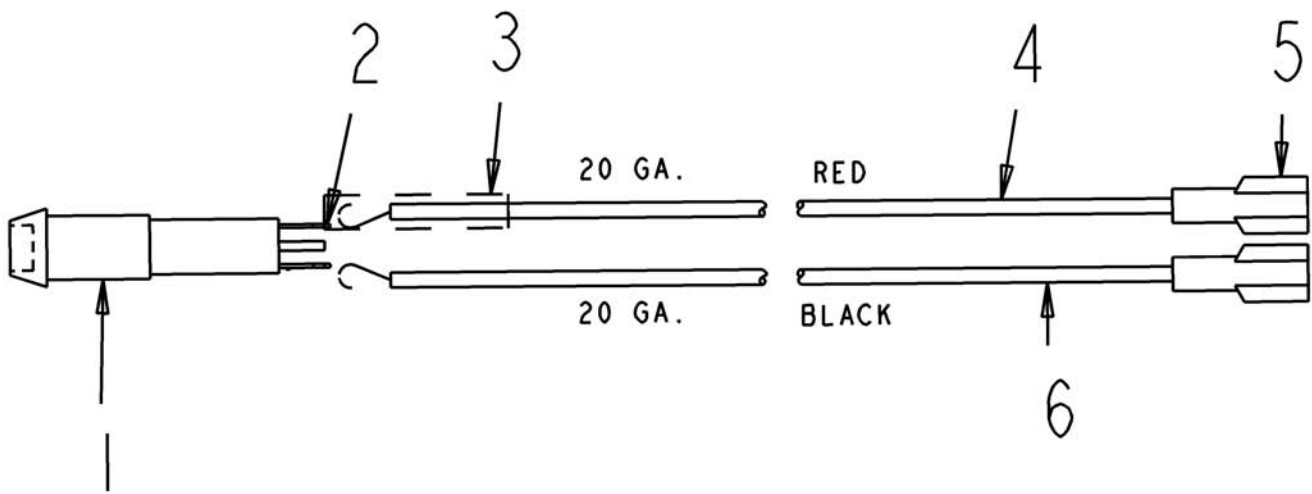
ITEM	PART #	QTY	DESCRIPTION	COMMENTS
1	AG721857	2	SHOCK ABSORBER ASM	[A]
2	AG721858	2	SPRING-AIR CAB	[B]
3	AG725625	1	VALVE CONTROL,HEIGHT	
4	AG522757	1	TEE-UNION,AUTO LK,.12	
5	AG721837	3	ELBOW/MUSTANG RG	
6	AG725624	1	BRANCH TEE,1/4TB,1/8M-NPT,PI	
7	AG019927	-	TUBING,NYLON 1/8 IN (D) [BULK: 2.000 FT]	[C]
8	AG511021	-	TUBING 0.25 OD NYLON BLACK [BULK: 2.000 FT]	[D]
10	AG550698	2	BOLT 0.25-20NCX 1.00 G5 ZN HHD	
11	AG561874	2	BOLT 0.25-20NCX 1.75 G5 ZN HHD	
12	AG727021	2	SCREW/CAP HEX	
13	AG727022	2	SCREW/CAP HEX	
14	AG727039	2	SCREW / CAP HEX	
17	AG562265	4	SCREW 10-24X 0.50 MA ZN HHD	
18	AG550612	2	NUT 0.25-20NC HEX ZN REG	
19	AG558699	4	NUT 0.25-20NC HEX ZN C-LK	
20	AG557676	4	NUT 0.37-16NC HEX ZN C-LK	
21	AG727023	4	NUT/CENTER LOCK	
22	AG727024	2	NUT/CENTER LOCK	
23	AG550493	2	WASHER LK 0.25 ZN REG	
24	AG725615	2	BUMPER	
27	AG725614	2	BALL-PIVOT,THREADED	
28	AG727025	2	VALVE/HEIGHT CONTROL	
29	AG726999	2	RING/RETAINING	
30	AG727004	2	RING/RETAINING	
33	AG522750	2	ORING-AS568-006-70,BUNA N	
34	AG029507	1	SCREW,SELF TAPPING .25X0.50(S)	
35	AG722592	2	FITTING-ADAPTER SHOCK	
36	AG725630	1	LEVER PAINTED	
37	AG727003	1	BRACKET/CAB MOUNT	
38	AG727002	1	BRACKET/FRAME MOUNT	
39	AG727001	1	PLATE/BUMPER CONTACT	
40	AG727000	1	ROD/CONTROL LATERAL	
41	AG721853	1	LINKAGE-VALVE 4.50	
	FOOTNOTE [A]		AG722592 AIR FITTING	
	FOOTNOTE [B]		AG722592 - AIR FITTING	
	FOOTNOTE [C]		THIS TUBING IS ACID RESISTANCE / POLY TUBING ISPART # AG522754	
	FOOTNOTE [D]		1000 FOOT PER ROLL, AG562912 OR AG518622 FOR ACID	
	FOOTNOTE:		ITEM 15: #4 X 1/4 DRIVE SCREW	
	FOOTNOTE:		ITEM 16: 3/8 X 1 UNC RHD HD SQ NK BOLT CR PLT GR5	
	FOOTNOTE:		ITEM 25: SHEILD-DUSR PLASTIC	
	FOOTNOTE:		ITEM 26: CAP-SHOCK, ABS, PLASTIC	
	FOOTNOTE:		ITEM 31: TAG-SERIAL, CABMATE	
	FOOTNOTE:		ITEM 32: O-RING .489 I.D. X .060 SECTION	



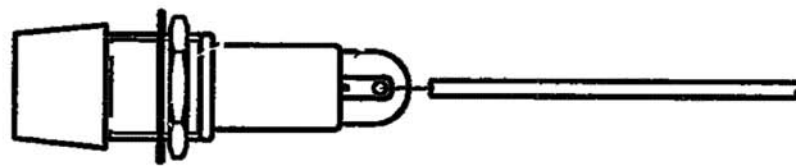
ITEM	PART #	QTY	DESCRIPTION	COMMENTS
1	AG121936	1	BRKT-THROTTLE/SPARGER CTRL	
2	AG121938	1	DECAL-THROTTLE,864	
3	AG121868	1	SWITCHBOX ASM-BOOM CTRL,8/1064	SEE PAGE 9-2
4	AG239703	1	REGULATOR ASM-PRESSURE	SEE PAGE 6-2
5	AG520949	1	SWITCH-ELEC,RKR(ON)OFF(ON)DPDT	
6	AG236808	1	GAUGE ASM-AIR PRESS	SEE PAGE 6-1
7	AG522467	1	SW-ELEC,PDL,(ON)-OFF-(ON),DPDT	
8	AG522751	1	GAUGE-PRESSURE,1.5 IN	
9	AG522756	1	KIT-HARDWARE,GAUGE MTG	
10	AG550493	6	WASHER LK 0.25 ZN REG	
11	AG550507	12	WASHER FL 0.25 ZN REG TYPE-B	
12	AG550612	6	NUT 0.25-20NC HEX ZN REG	
13	AG558788	6	BOLT 0.25-20NCX 1.25 G5 ZN HHD	
14	AG328557	1	BRKT-MTG,CAB RIDE CONTROL	
15	AG522746	1	SWITCH-ROCKER,AIR	
16	AG700080	1	BODY 0.25SS PNEU CPLR 513822	
17	AG522525	1	REDUCER-TUBE,.12TUBE X .25TUBE	
18	AG516206	1	TEE UNION 0.25 TUBE AUTO LOCK	
19	AG522757	1	TEE-UNION,AUTO LK,.12	
20	AG518622	-	TUBING AIRLINE 0.25OD POLTHN [BULK: 12.500 FT]	
21	AG522754	-	TUBING-AIR LINE,.12 OD,POLYP [BULK: 6.500 FT]	
22	AG522749	1	CAP-FITTING,AIR	
23	AG522750	1	ORING-AS568-006-70,BUNA N	
24	AG520907	1	PLUG-HOLE,SWITCH,EATON	



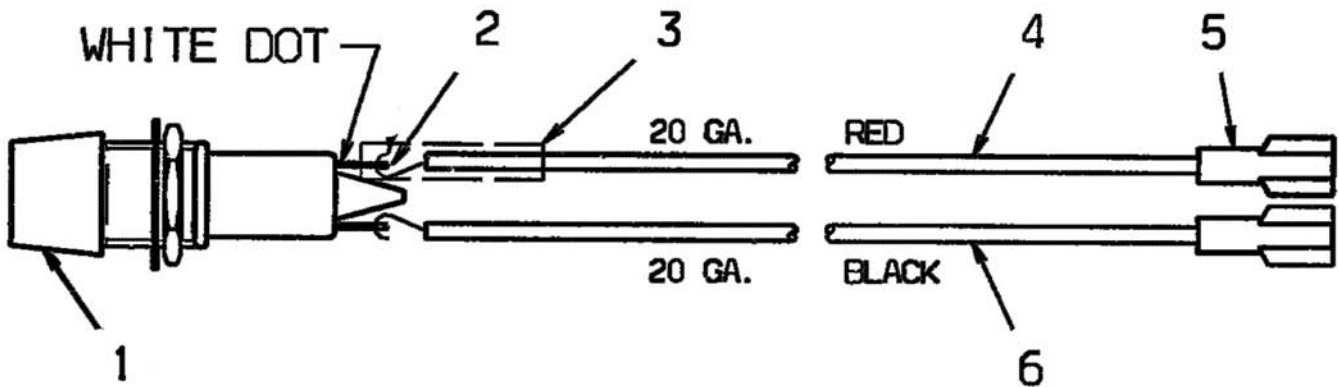
ITEM	PART #	QTY	DESCRIPTION	COMMENTS
1	AG121858	1	PLATE-COVER,LH	
2	AG121969	1	INDICATOR ASM-PANEL,YELLOW	SEE PAGE 7-35
3	AG122002	1	GAUGE-RPM,CAT	
4	AG122003	1	GAUGE-TEMP,CAT	
5	AG122004	1	GAUGE-PRESS,CAT	
6	AG122406	1	DECAL-ENGINE LIGHTS	
7	AG235002	1	INDICATOR ASM PANEL LAMP	SEE PAGE 7-36
8	AG519872	1	SWITCH-ELEC,PB,OFF-(ON),SPST	



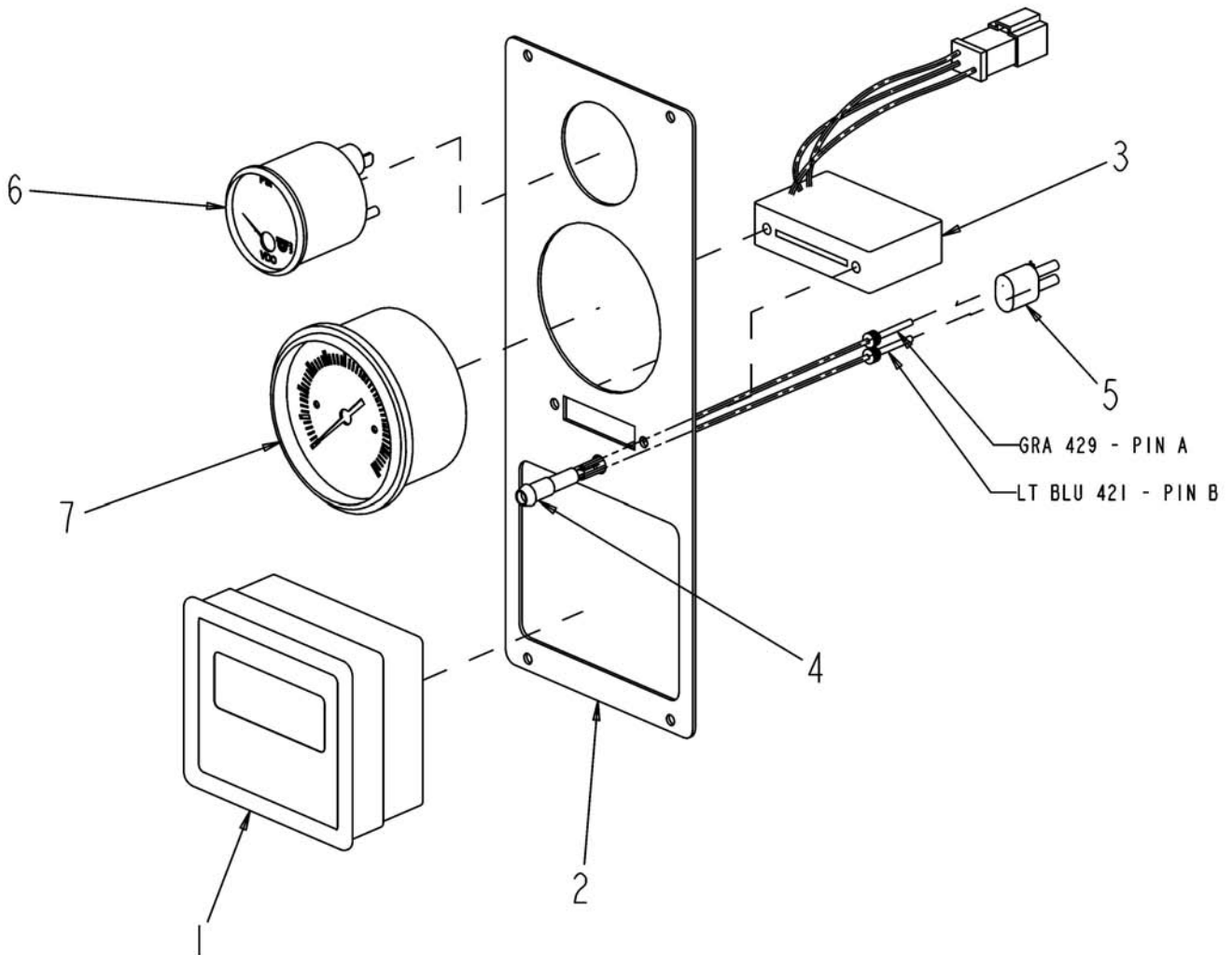
ITEM	PART #	QTY	DESCRIPTION	COMMENTS
1	AG121870	1	INDICATOR-PANEL MOUNT, YELLOW	
2	AG519757	AR	SOLDER H2O SOLUBLE FLUX CORE	
3	AG516853	-	TUBING HEAT SHRINK 0.125 PVC [BULK: 0.084 FT]	
4	AG517472	-	WIRE-20 GA GXL BULK RED [BULK: 0.667 FT]	
5	AG517476	2	TERM PUSH-ON FE F/INSUL .187	
6	AG517473	-	WIRE-20 GA GXL BULK BLK [BULK: 0.667 FT]	



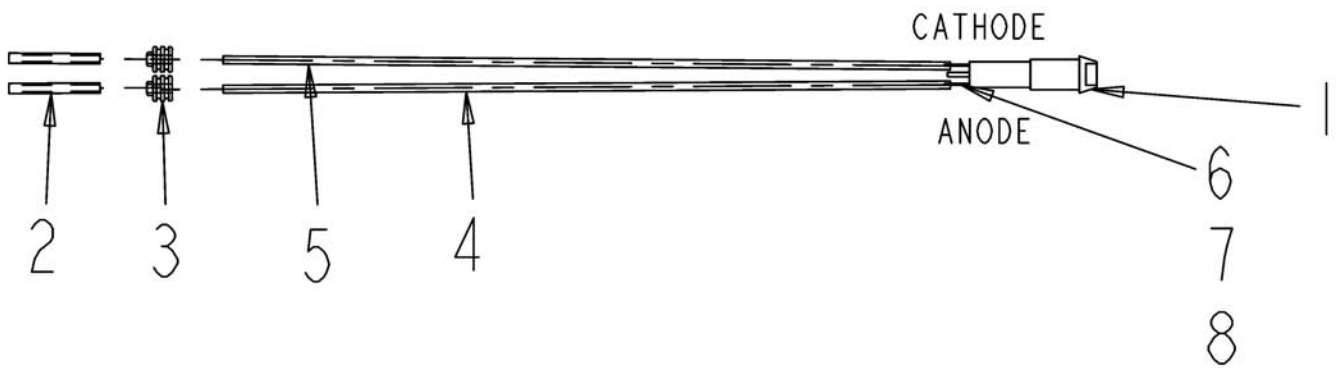
VIEW A-A



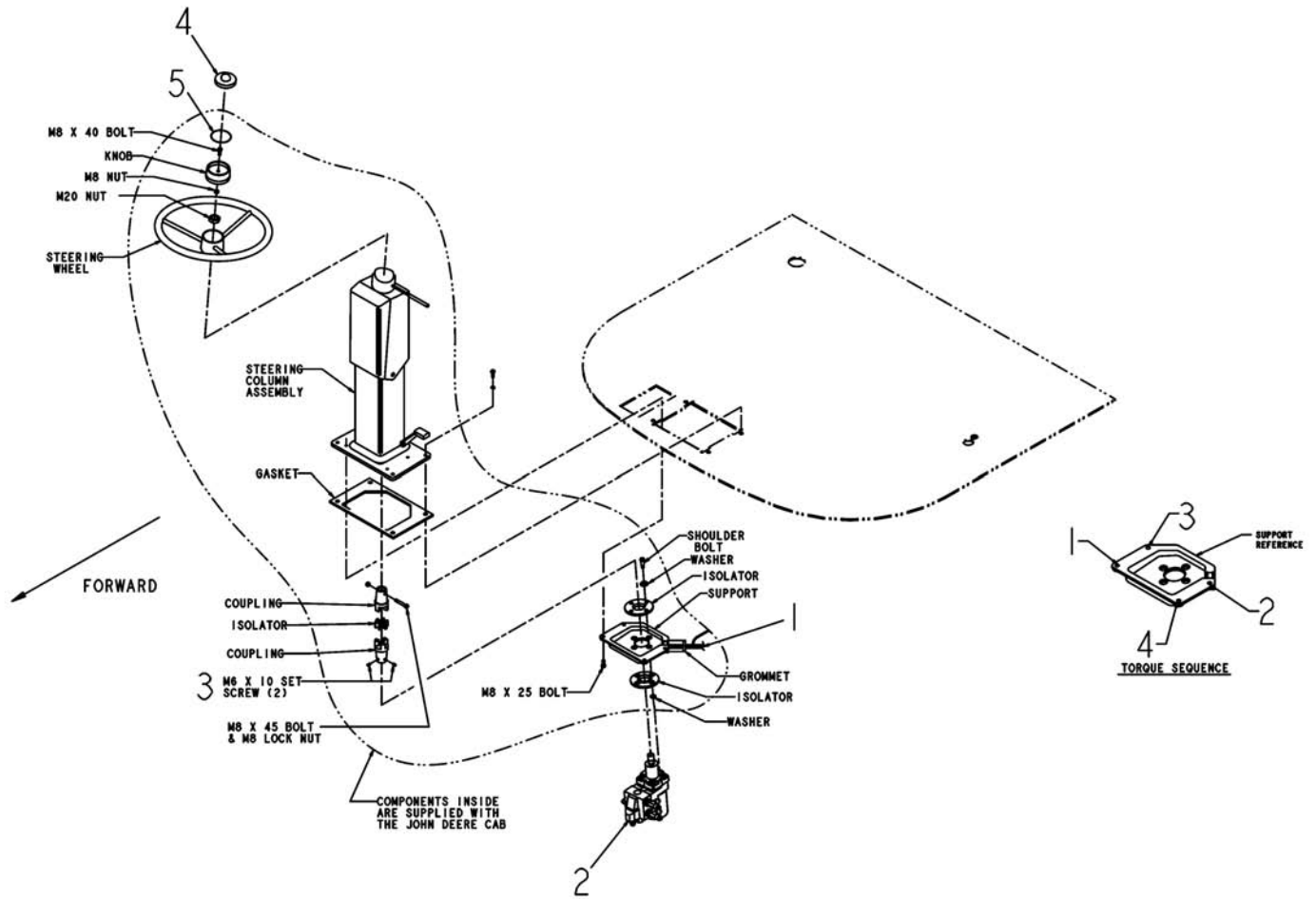
ITEM	PART #	QTY	DESCRIPTION	COMMENTS
1	AG518003	1	INDICATOR PANEL MOUNT RED	
2	AG519757	AR	SOLDER H2O SOLUBLE FLUX CORE	
3	AG516853	-	TUBING HEAT SHRINK 0.125 PVC [BULK: 0.083 FT]	
4	AG517472	-	WIRE-20 GA GXL BULK RED [BULK: 0.667 FT]	
5	AG517476	2	TERM PUSH-ON FE F/INSUL .187	
6	AG517473	-	WIRE-20 GA GXL BULK BLK [BULK: 0.667 FT]	



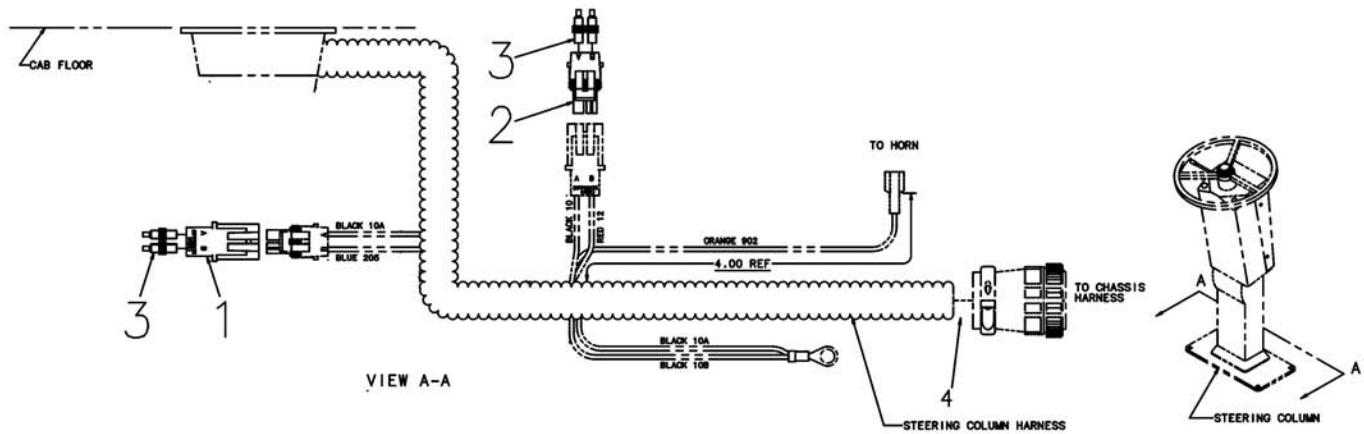
ITEM	PART #	QTY	DESCRIPTION	COMMENTS
1	AG121752	1	DISPLAY-RADAR SPEED,DJ CIP	
2	AG121859	1	PLATE-COVER,RH	
3	AG122134	1	VALVE POSITION INDICATOR	
4	AG263297	1	LIGHT ASM-INDICATOR, GREEN	SEE PAGE 7-38
5	AG515851	1	CONNECTOR ELEC TOWER 2-CONT M	
6	AG521016	1	GAUGE-PRESS, 0-150PSI	
7	AG522487	1	GAUGE-PRESSURE,0-150 PSI	



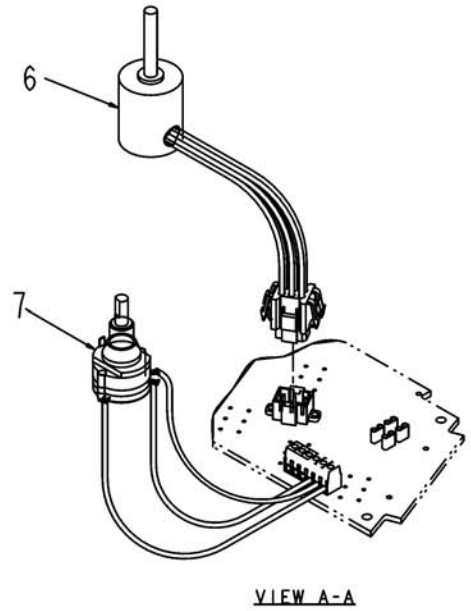
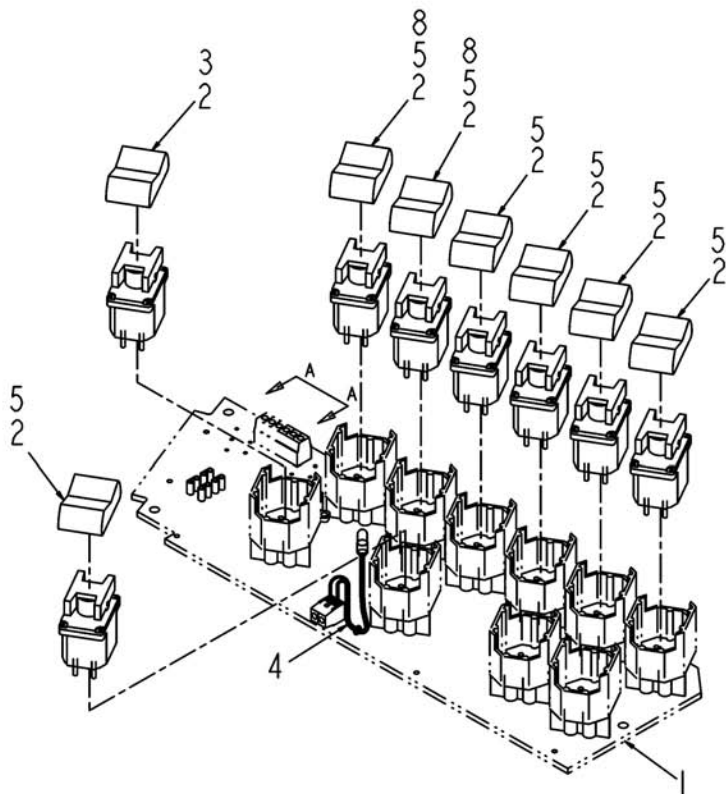
ITEM	PART #	QTY	DESCRIPTION	COMMENTS
1	AG517788	1	INDICATOR PANEL MT. GREEN LED	
2	AG515763	2	TERM FE 16-14 GA W/PACK	
3	AG515764	2	SEAL CABLE GREEN REEL 18-16 GA	
4	AG554154	-	WIRE 16 GA GXL BULK LIGHT BLUE [BULK: 0.700 FT]	
5	AG554189	-	WIRE 16 GA GXL BULK GRAY [BULK: 0.700 FT]	
6	AG516853	-	TUBING HEAT SHRINK 0.125 PVC [BULK: 0.001 FT]	
7	AG515372	AR	SOLDER R/B 519757	
8	AG515371	AR	FLUX SOLDERING - OBSOLETED	



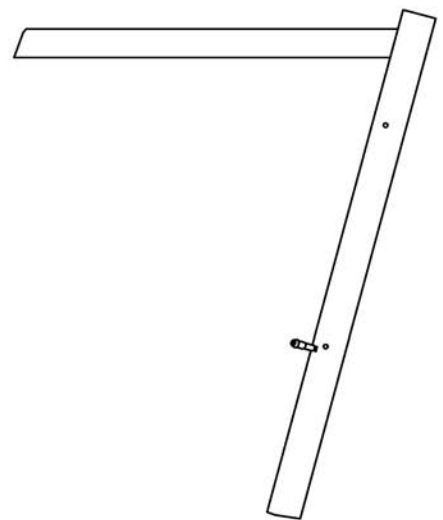
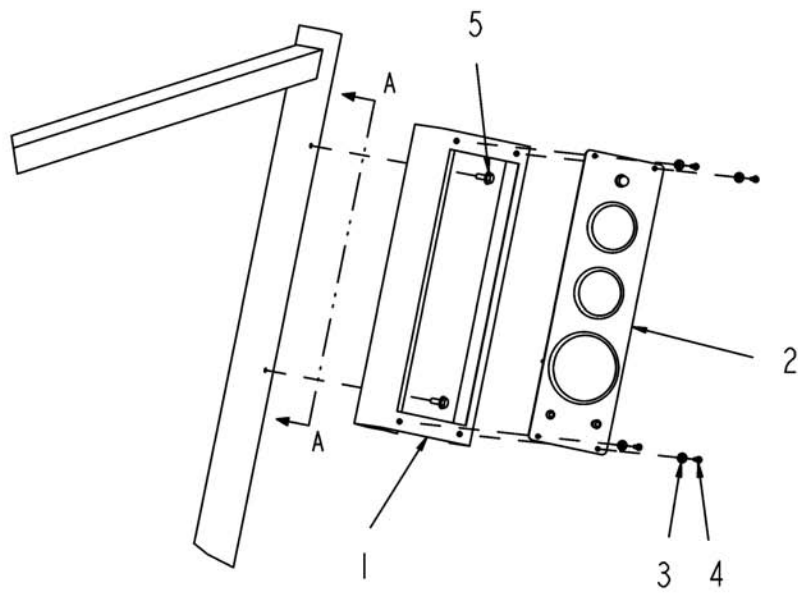
ITEM	PART #	QTY	DESCRIPTION	COMMENTS
1	AG420127	1	HARNES RWK-STEERING COLUMN	SEE PAGE 7-40
2	AG121973	1	STEER UNIT ASM	SEE PAGE 5-4
3	AG512885	AR	LOCTITE ADHESIVE SEALANT BLUE	
4	AG515818	1	BUTTON HORN AG-CHEM	
5	AG515819	1	O RING	



ITEM	PART #	QTY	DESCRIPTION	COMMENTS
1	AG515850	1	CONNECTOR ELEC SHROUD 2-CONT F	
2	AG515851	1	CONNECTOR ELEC TOWER 2-CONT M	
3	AG515766	4	CAVITY PLUG	
4	AG518989	AR	SEALANT NONCORROSIVE 10.3 OZ	

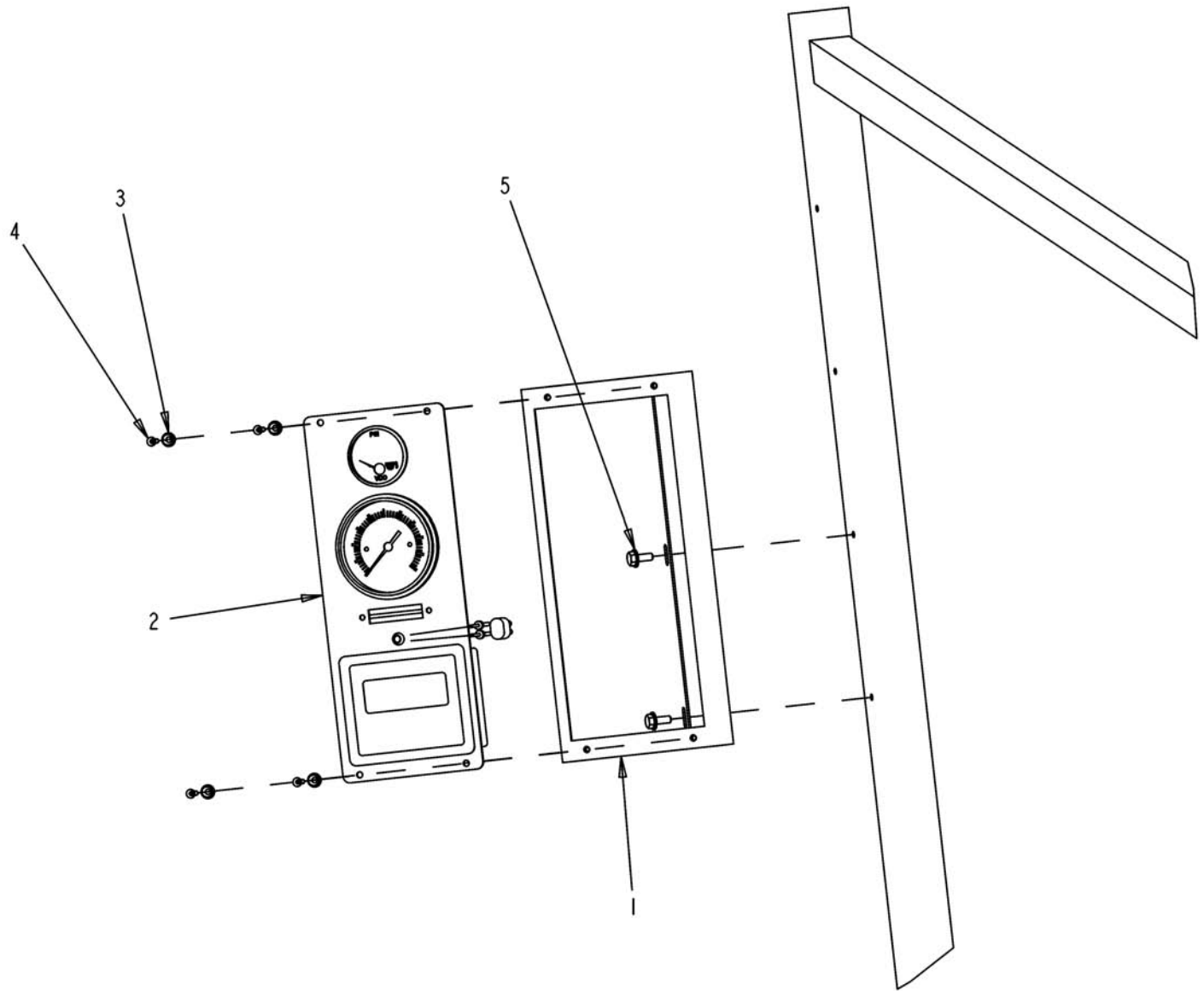


ITEM	PART #	QTY	DESCRIPTION	COMMENTS
1	AG122041	1	CIRCUIT BOARD-ARMREST,864	
2	AG518088	-	ROCKER COVER BLANK	
3	AG609557	-	SWITCH-DPDT CTR OFF MOM,RKR	
4	AG517420	1	LAMP 12VDC TYPE F614	[A]
5	AG609555	-	SWITCH-DPDT CTR OFF MOM,RKR	[B]
6	AG609556	-	SWITCH ARMREST SAFETY	
7	AG235928	1	SWITCH ASM-SPEED ADJUST	[C]
8	AG108621	2	DECAL SWITCH	
	FOOTNOTE [A]		PUMP LIGHT ON ARM REST OF 97 AND UP ROGATOR.	
	FOOTNOTE [B]		LEFT AND RIGHT BOOM SWING SWITCH, AG518088 ROCKER COVER BLANK	
	FOOTNOTE [C]		KNOB FOR SWITCH - AG520559	

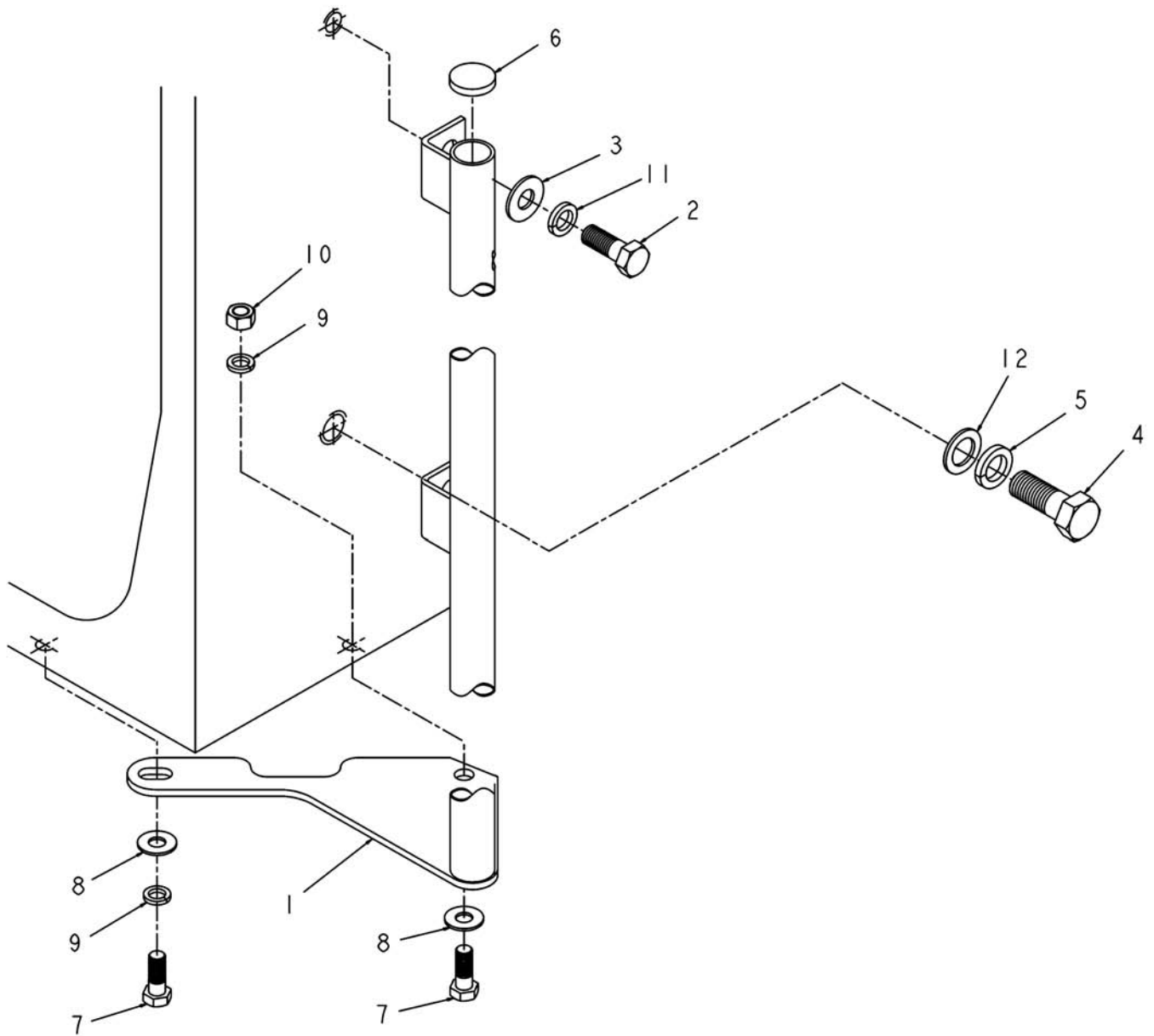


VIEW A-A

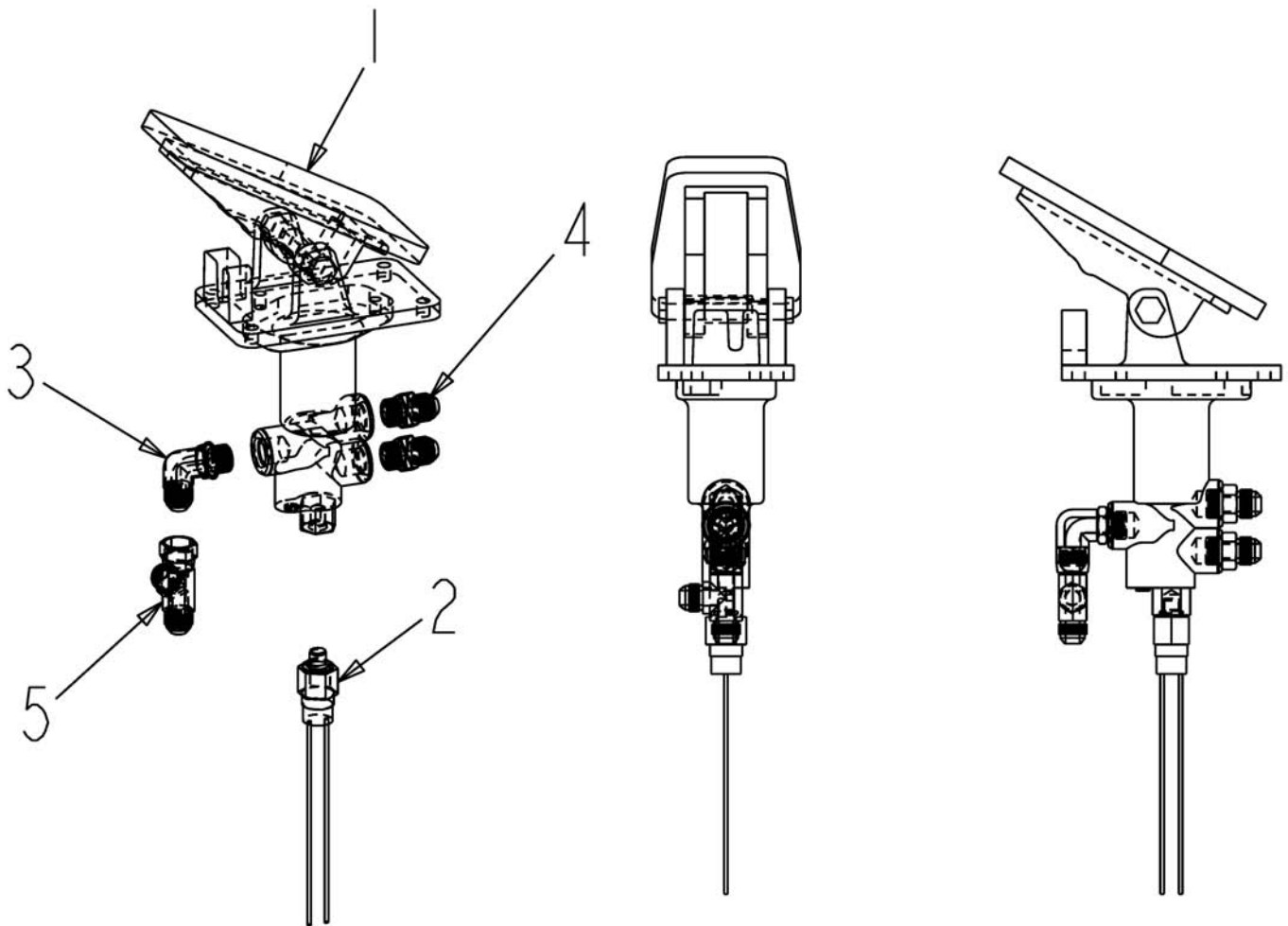
ITEM	PART #	QTY	DESCRIPTION	COMMENTS
1	AG121855	1	BRKT WLDMT-GAUGE,LH	
2	AG121967	1	PANEL ASM-LH POST	SEE PAGE 7-34
3	AG521761	4	WASHER-FINISHING,M4 FHS SCR	
4	AG521764	4	SCR-M4-0.7X16,CL10.9,BLK,FHS	
5	AG561209	2	SCREW .25-14X 0.62 TAP ZN HHD	



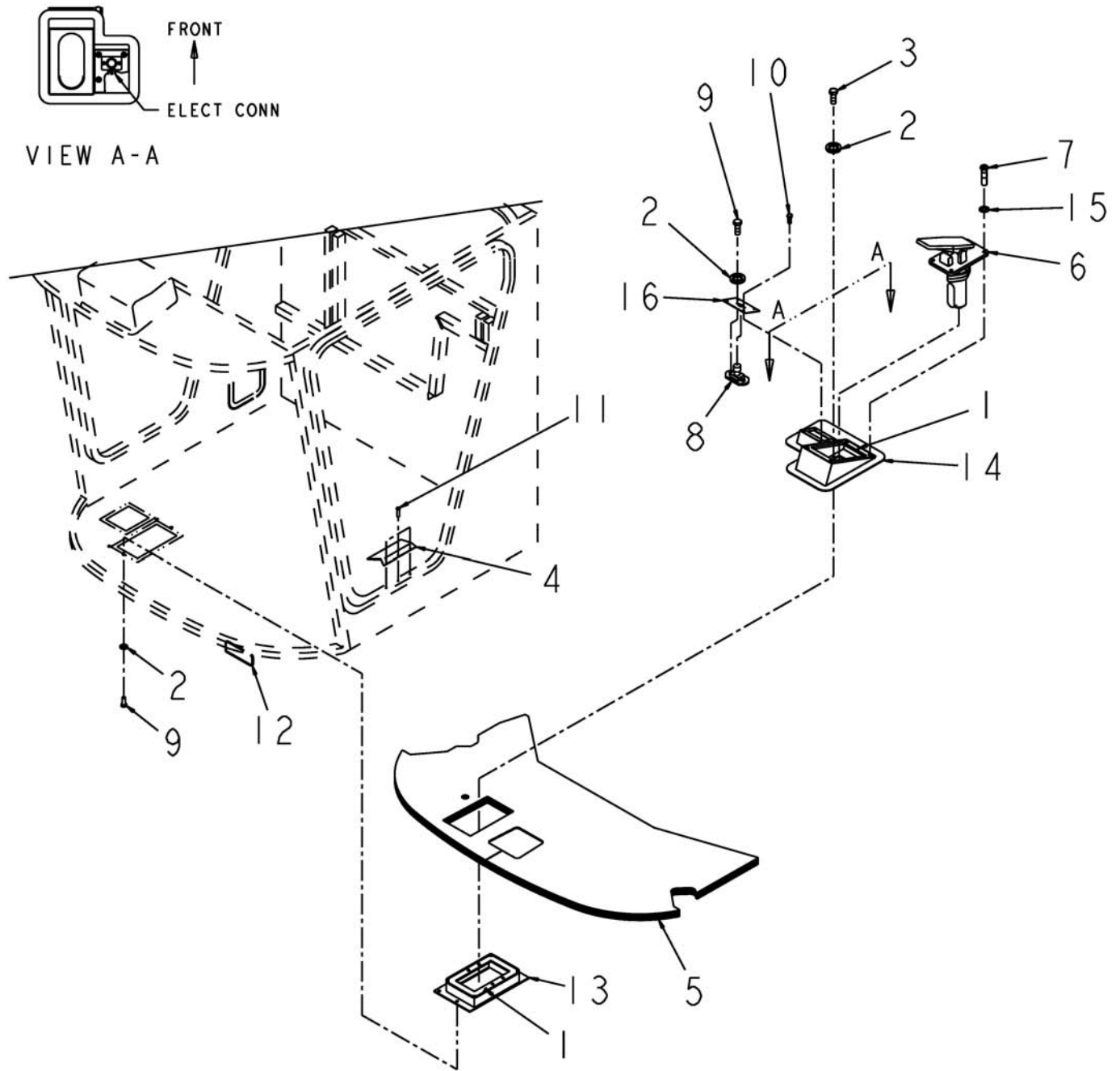
ITEM	PART #	QTY	DESCRIPTION	COMMENTS
1	AG121825	1	BRKT WLDMT-GAUGE,RH	
2	AG121968	1	PANEL ASM-RH POST	SEE PAGE 7-37
3	AG521761	4	WASHER-FINISHING,M4 FHS SCR	
4	AG521764	4	SCR-M4-0.7X16,CL10.9,BLK,FHS	
5	AG561209	2	SCREW .25-14X 0.62 TAP ZN HHD	



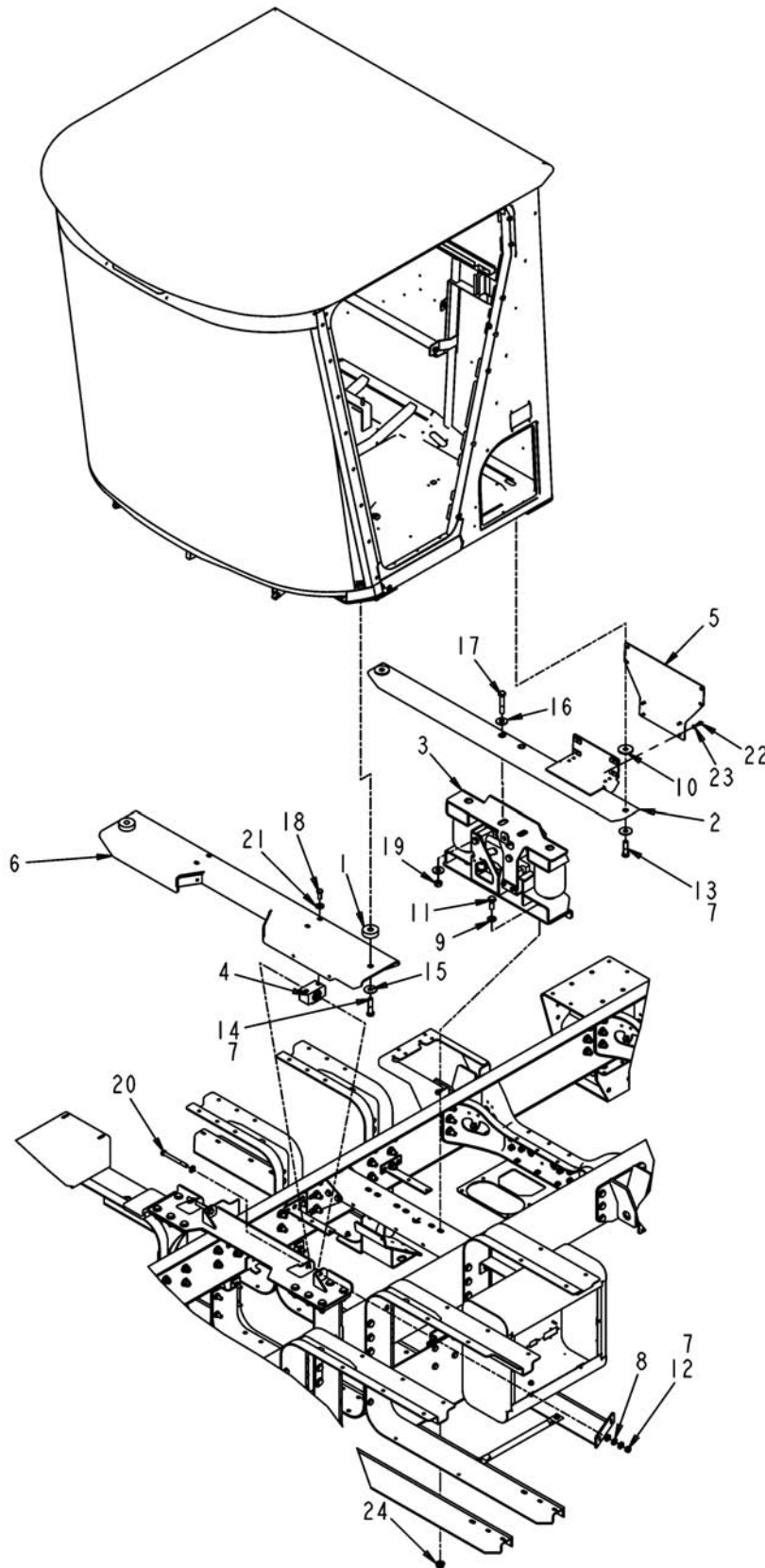
ITEM	PART #	QTY	DESCRIPTION	COMMENTS
1	AG122261	1	HANDRAIL WLDMT-CAB	
2	AG562375	1	BOLT M12-1.75X 25MM G8.8 ZN HH	
3	AG561617	1	WASHER 0.50 FL ZN SAE TYPE-A	
4	AG563016	1	BOLT HHD M16-2X35MM 8.8 ZN	
5	AG517790	1	WASHER METRIC LOCK ZN	
6	AG606267	1	PLUG BLK HOLE 0.87 PLASTIC	
7	AG550515	2	BOLT 0.37-16NCX 1.25 G5 ZN HHD	
8	AG551007	2	WASHER FL 0.37 ZN REG TYPE-B	
9	AG550191	2	WASHER LK 0.37 ZN REG	
10	AG550825	1	NUT 0.37-16NC HEX ZN REG	
11	AG562272	1	WASHER M12 LK ZN REG	
12	AG515180	1	WASHER 0.62 FL ZN REG G8	



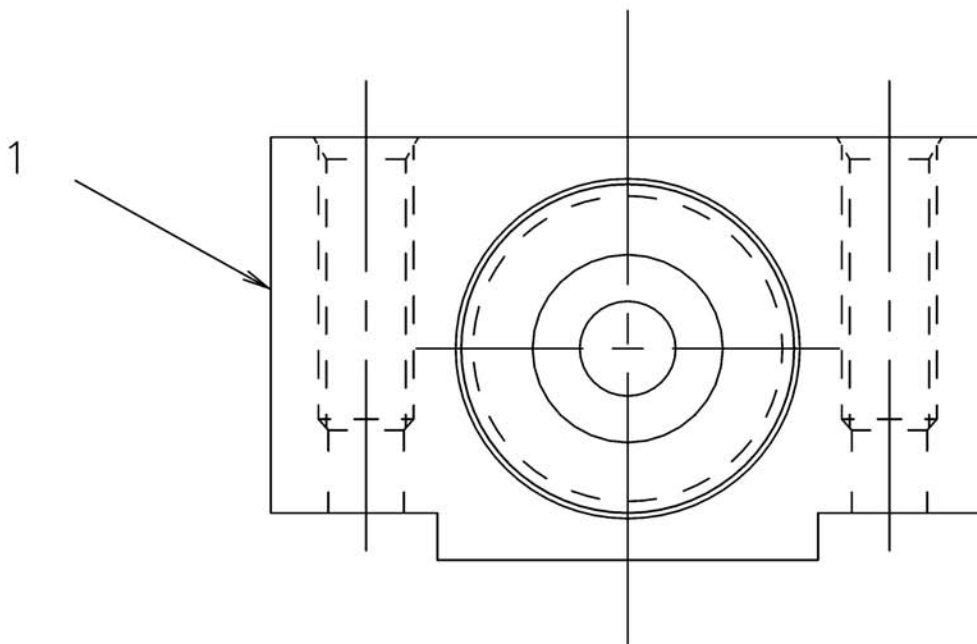
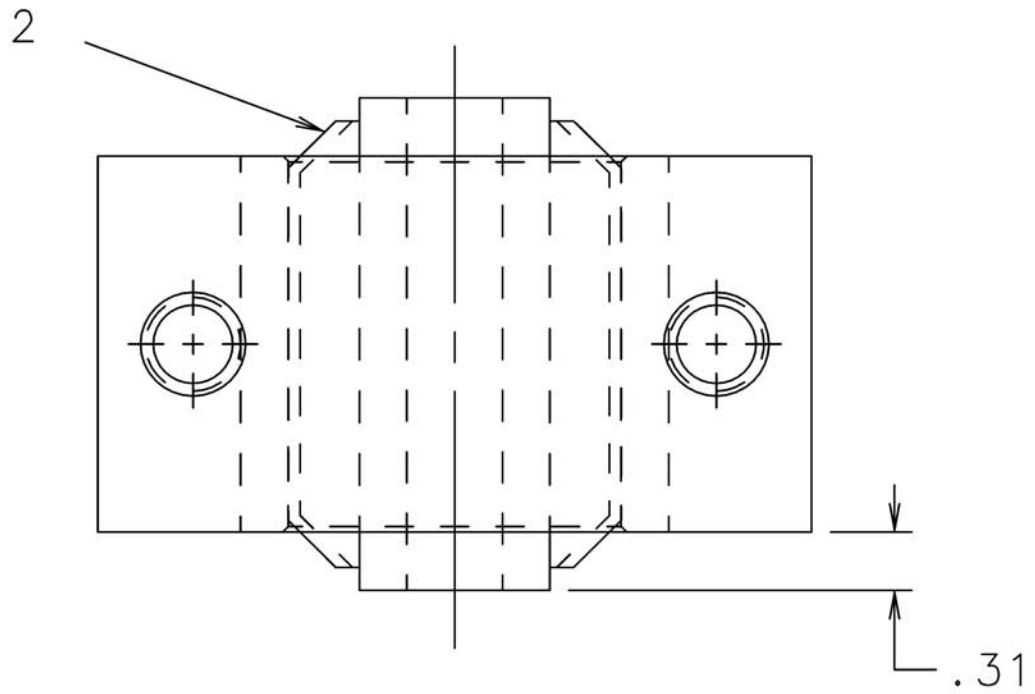
ITEM	PART #	QTY	DESCRIPTION	COMMENTS
1	AG124361	1	VALVE-BK,RVS MOD,300 PSI	
2	AG521525	1	SWITCH-HYD PRESSURE,260 PSI	
3	AG551112	1	ELBOW 90D 0.50MO-R X 0.50MJIC	[A]
4	AG551139	2	ADAP STR 0.50MO-R X 0.50 MJIC	[B]
5	AG560278	1	TEE 0.50JIC SWIVELX0.50 JIC(2)	
	FOOTNOTE [A]		AG713670-O-RING	
	FOOTNOTE [B]		AG713670-O-RING	



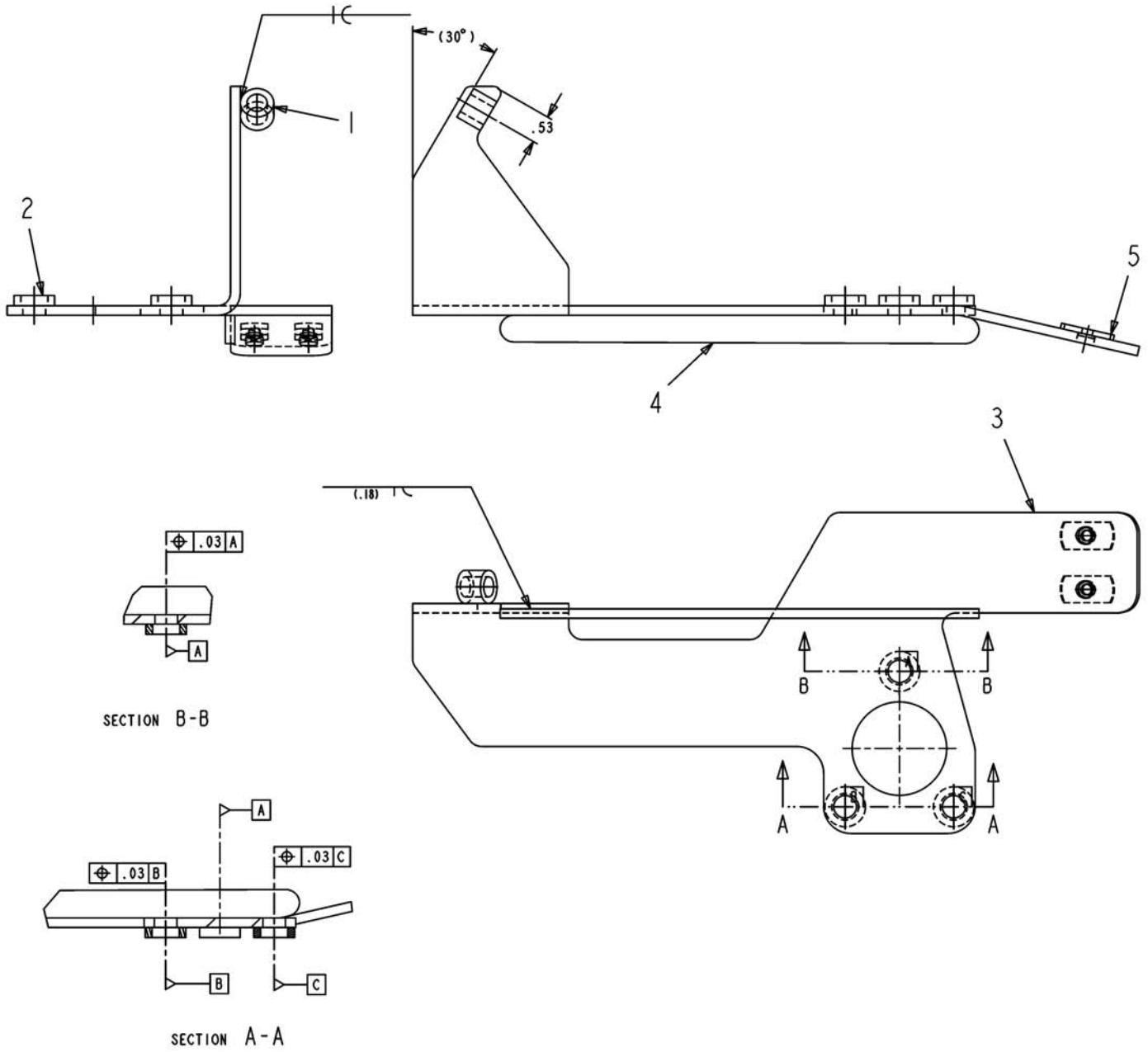
ITEM	PART #	QTY	DESCRIPTION	COMMENTS
1	AG513841	AR	SEALER, SILICONE RUBBER CLEAR	
2	AG550493	10	WASHER LK 0.25 ZN REG	
3	AG550698	4	BOLT 0.25-20NCX 1.00 G5 ZN HHD	
4	AG328434	1	PLATE-KICK,CAB ENTRANCE	
5	AG122035	1	FLOORMAT-CAB,864	
6	AG124711	1	PEDAL ASM-BRAKE	SEE PAGE 7-45
7	AG550175	4	BOLT 0.37-16NCX 1.00 G5 ZN HHD	
8	AG518235	1	SWITCH DIMMER	[A]
9	AG550485	6	BOLT.25-20NCX.75 G5 ZN HHD	
10	AG029293	4	SCREW 10-24X0.50 TAP IWVHHD	
11	AG518026	3	SCREW .25-20X1.25 PANHD ZN T	
12	AG234061	-	PRT HORN MOUNTING	
13	503632D1	1	SUPPORT WLDMT-BRAKE PEDAL	
14	503635D1	1	MOUNT WLDMT-TP,BRAKE PEDAL	
15	AG550191	4	WASHER LK 0.37 ZN REG	
16	AG231827	1	SWITCH SUPPORT	
	FOOTNOTE [A]		DIMMER SWITCH- TURNS BOOMS ON FOR LIQUID SYSTEM ON FLOOR OF	
	FOOTNOTE [A]		ROGATOR CAB.	



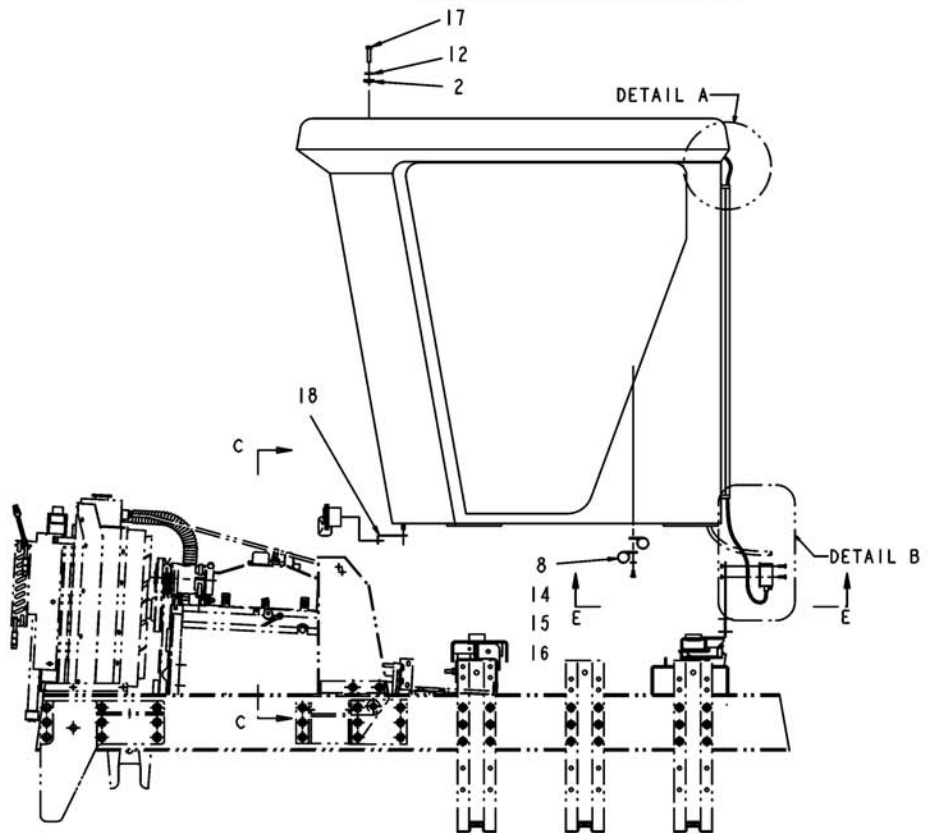
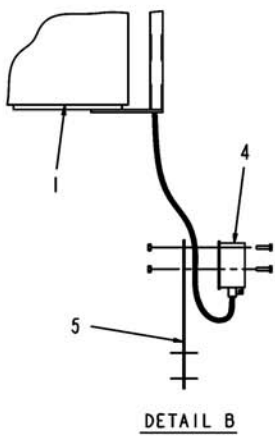
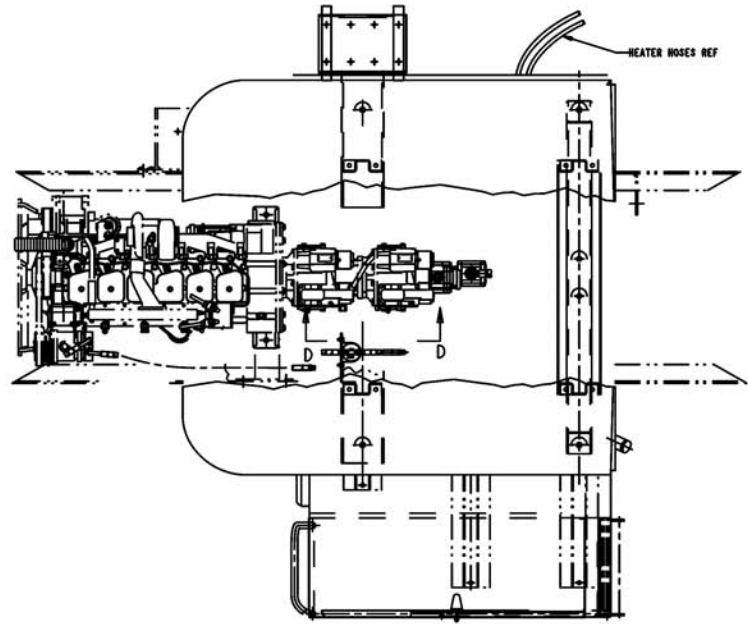
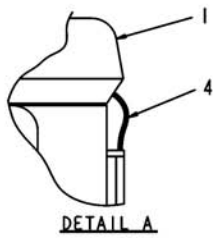
ITEM	PART #	QTY	DESCRIPTION	COMMENTS
1	AG120046	2	SPACER-CAB SUPPORT,FRONT	
2	AG121369	1	TUBE WLDMT-SUPPORT,CAB,REAR	
3	AG121887	1	SUSPENSION-CAB,AIR ADJUSTABLE	SEE PAGE 7-32
4	AG239898	2	BUSHING ASM-PIVOT	SEE PAGE 7-48
5	AG325523	1	PLATE-WASHER,WINDSHIELD	
6	AG328533	1	SUPPORT WLDMT-CAB,FRONT	
7	AG512885	AR	LOCTITE ADHESIVE SEALANT BLUE	
8	AG514554	8	WASHER-FL,.50,ZN,G8,REG	
9	AG515180	3	WASHER 0.62 FL ZN REG G8	
10	AG517439	2	WASHER 18X58X5 MM,FL	
11	AG517556	3	BOLT 0.62-18 X 1.75 G8 HX FLG	
12	AG520614	2	NUT-.50-13,G8,ZN,HH,C-LK	
13	AG523269	2	BOLT-M16-2.0X60,CL10.9,PH,HHD	
14	AG523270	2	BOLT-M16-2.0X70,CL10.9,PH,HHD	
15	AG524534	4	WASHER-FLAT,M16,ZN	
16	AG550310	4	WASHER 0.62 FL ZN REG TYPE-B	
17	AG550469	2	BOLT 0.62-11NCX 3.50 G5 ZN HHD	
18	AG555843	4	BOLT 0.50-13NCX 1.25 G5 PL HHD	
19	AG557692	2	NUT 0.62-11NC HEX ZN C-LK	
20	AG561804	2	BOLT 0.50-13NCX 5.00 G8 ZN HHD	
21	AG562046	4	WASHER FL 0.50 SS REG	
22	AG562049	4	BOLT 0.31-18NCX 0.75 S.S. HHD	
23	AG562051	4	WASHER LK 0.31 SS REG	
24	AG609313	3	NUT HX FLG 0.62-18NF	



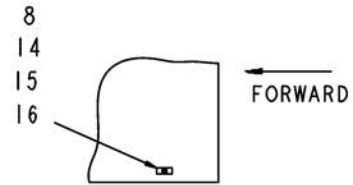
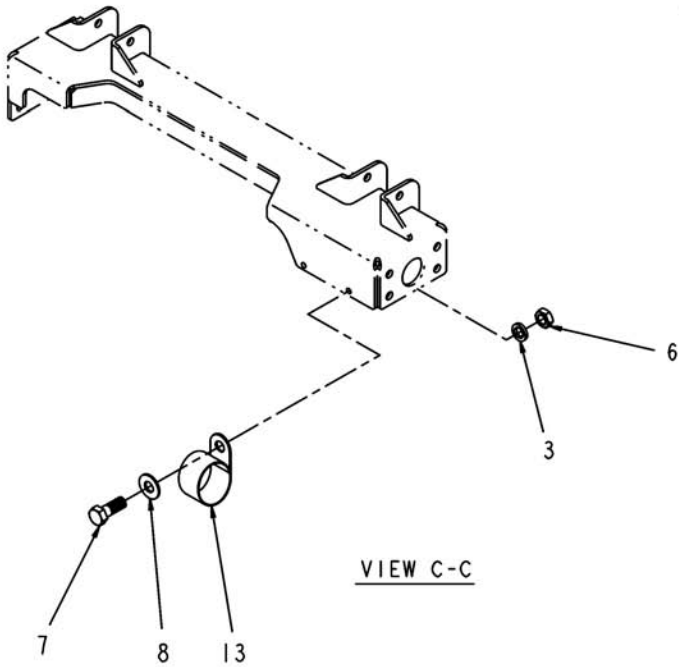
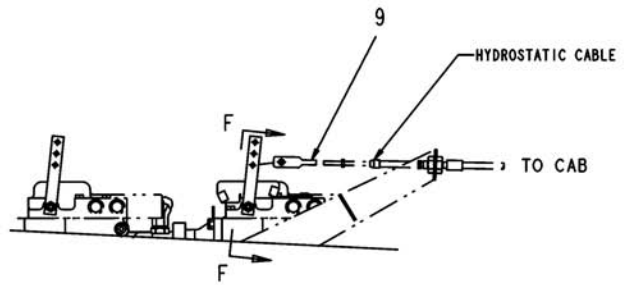
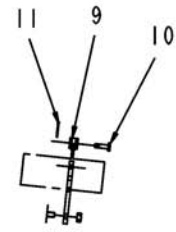
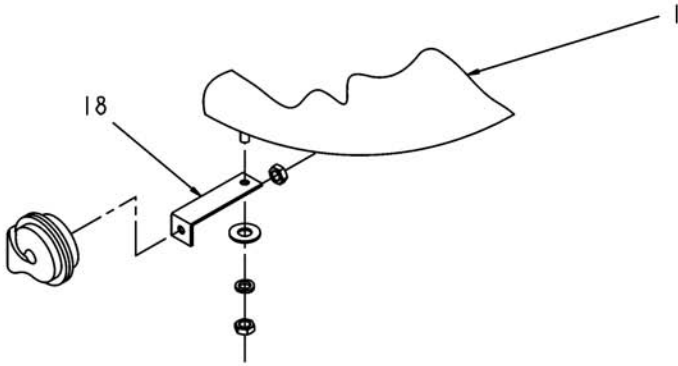
ITEM	PART #	QTY	DESCRIPTION	COMMENTS
1	AG239897	1	BUSHING-PIVOT,MACHINING	
2	AG522425	1	BUSHING-.504IDX1.75ODX2.62LG	
	FOOTNOTE:		AG522425 - BUSHING ONLY	
	FOOTNOTE:		AG239897 - BUSHING HOLDER ONLY	



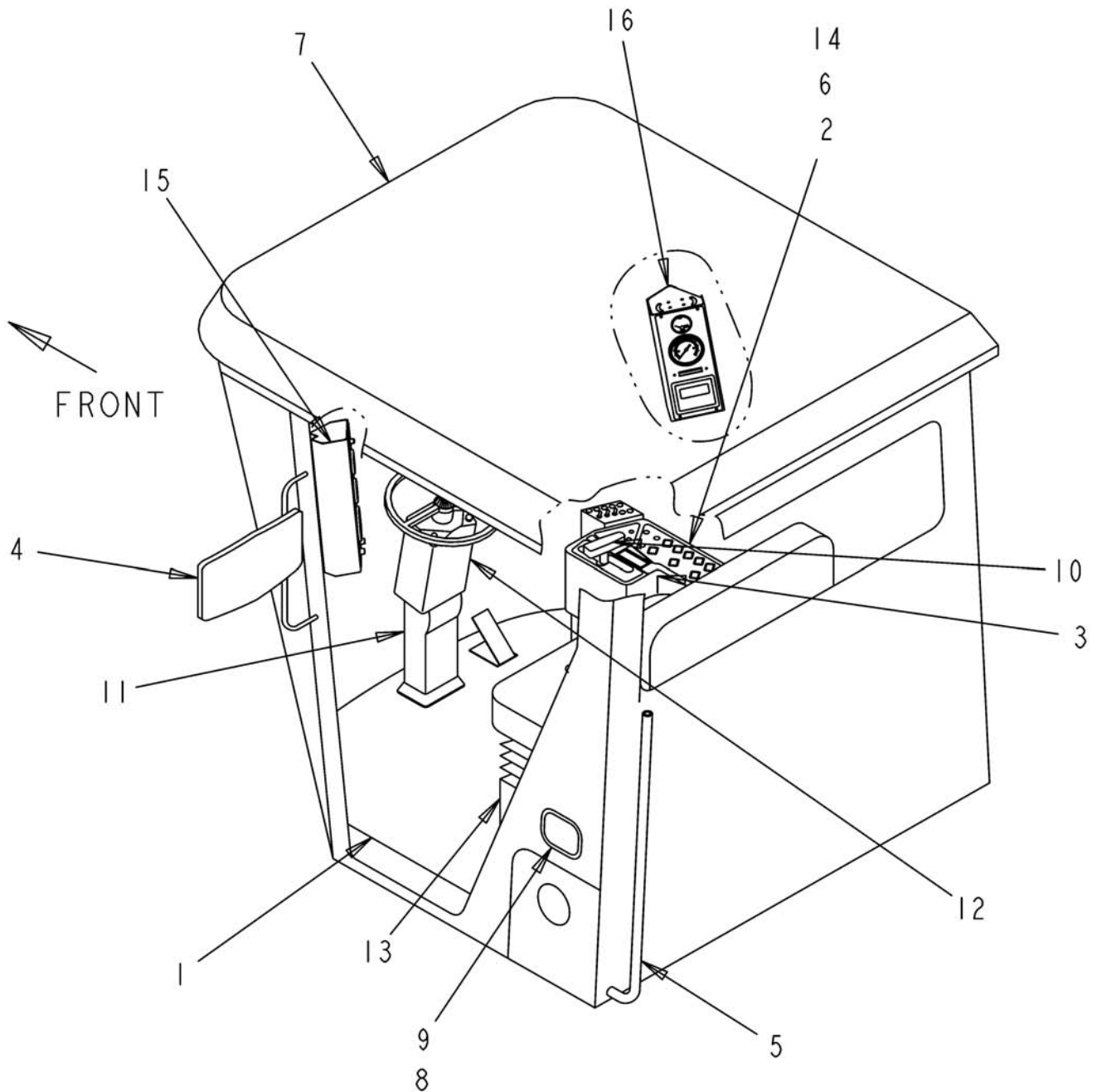
ITEM	PART #	QTY	DESCRIPTION	COMMENTS
1	AG109637	1	STOP-PUMP ARM	
2	AG132585	3	SPACER-BRKT, HYDRO CONTROL	
3	AG134382	1	BRKT-HYDRO CONTROL	
4	AG134383	1	PLATE-GUSSET, HYDRO CONTROL	
5	AG607298	2	NUT WELD .25-20NC	



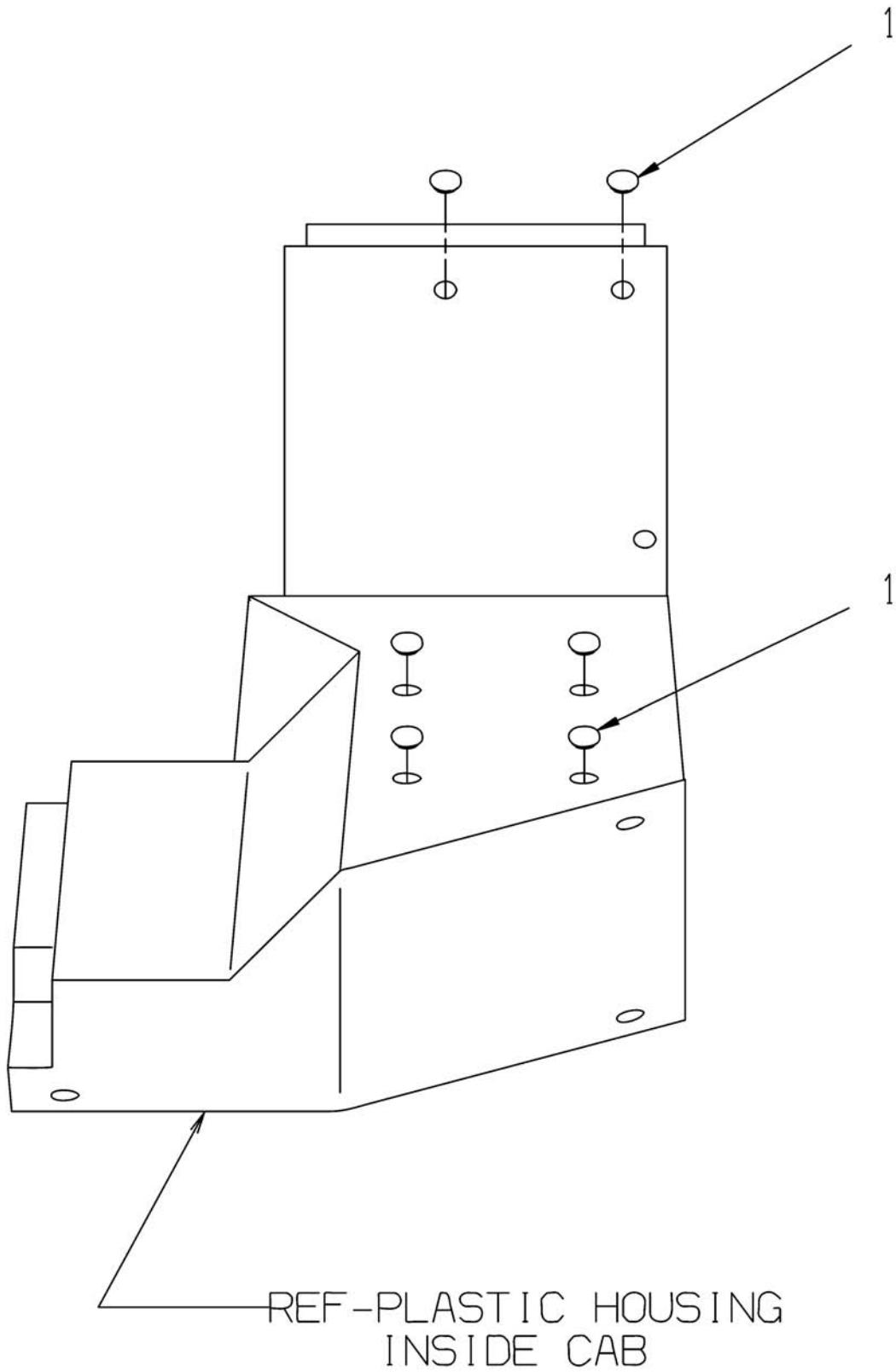
ITEM	PART #	QTY	DESCRIPTION	COMMENTS
REF	AG330123	1	INTERIOR CAB ROOF	
REF	AG330124	1	TRAP FLOOD LIGHTS	
REF	AG330125	1	HIGH INTENSITY DISCHRG LIGHTS	
REF	AG330126	1	CAB ROOF FLOOD LIGHTS	
REF	AG330127	1	MOBILE RADIO ANTENNA CABLE	
REF	AG330128	1	RADIO SPEAKER ANTENNA (OPT)	
1	AG136180	1	CAB ASM-8/10X4	SEE PAGE 7-51
2	AG714062	-	SEALING WASHER	
3	AG562051	1	WASHER-LK,.31 SS REG	
4	AG517683	-	MAXIMISER CAB WINDSHIELD WASHE	[A]
5	AG325523	-	PLATE-WASHER,WINDSHIELD	
6	AG562090	1	NUT-.31-18NC HEX SS REG	
7	AG562049	1	BOLT 0.31-18NCX 0.75 S.S. HHD	
8	AG562074	2	WASHER FL .31 SS REG	
9	AG602124	1	CLEVIS 0.25X0.25-28 THD ZN	[B]
10	AG560553	1	PIN CLEVIS 0.25X0.87 ZN	
11	AG555452	1	PIN COTTER 0.06X0.75 ZN	
12	AG562046	2	WASHER-FLAT 1/2 TYPE B SS	
13	AG554898	1	CLAMP 1.12-COATED HOSE	
14	AG561679	1	WASHER-LOCK M8 ZN	
15	AG562644	1	SCREW SOC HD CAP M8-1.25X20MM	
16	AG561895	2	CLAMP 1.50 HOSE COATED	
17	401124X1	2	BOLT M12-1.75X40MM HHD SS 304	
18	AG238447	1	BRKT-MTG,HORN	[C]
	FOOTNOTE [A]		NO LONGER AVAILABLE, REPLACED BY AG060193	
	FOOTNOTE [B]		REPLACES AG021105 CRITICAL ITEM QTY 2	
	FOOTNOTE [B]		SEND 1 OF AG552178 AND ALSO 1 OF AG555452 WITH EACH CLEVIS	
	FOOTNOTE [B]		PLASTIC CLEVIS AG518506	
	FOOTNOTE [C]		FOR REPLACEMENT HORN USE AG713895	



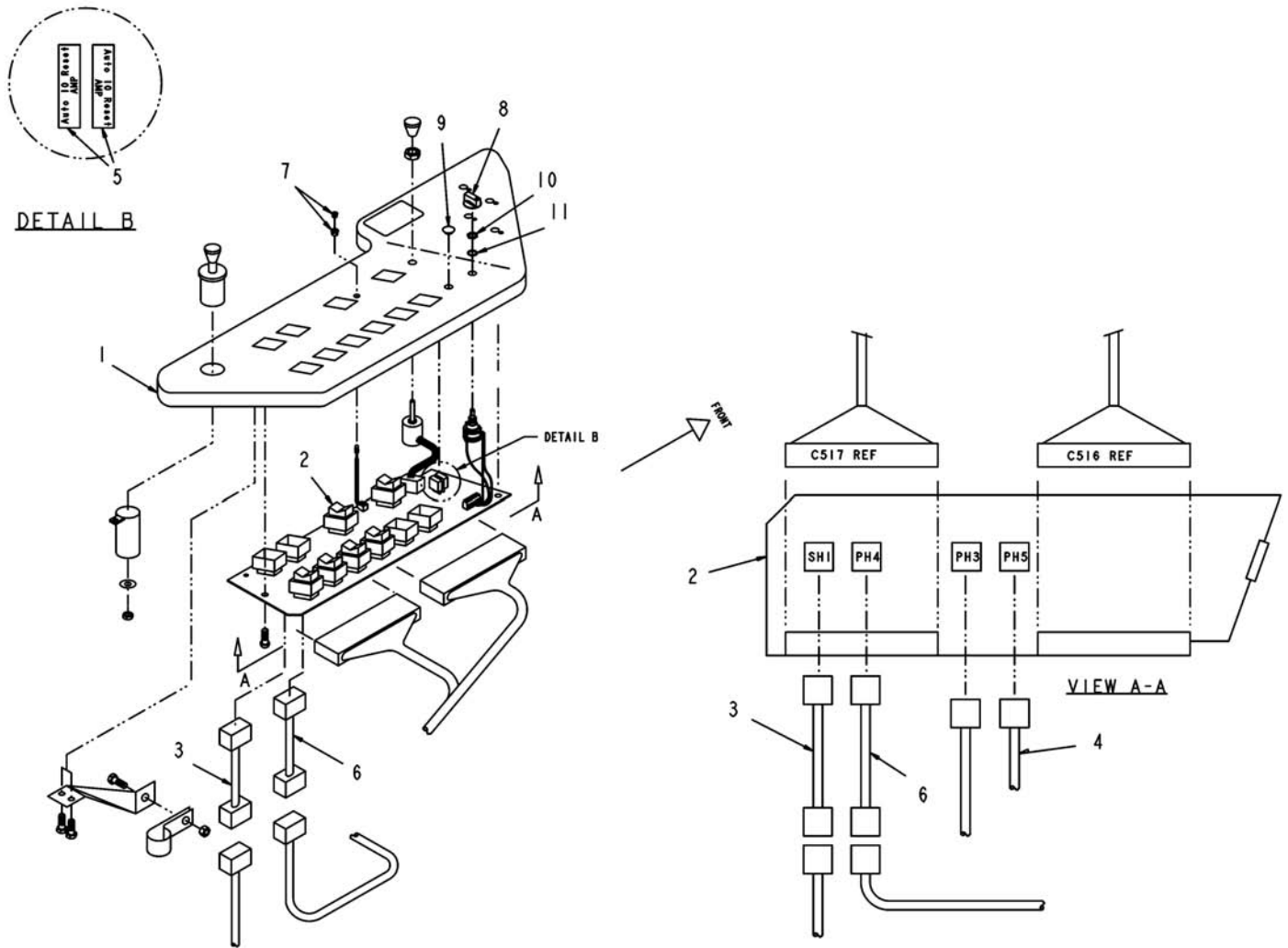
ITEM	PART #	QTY	DESCRIPTION	COMMENTS
REF	AG330123	1	INTERIOR CAB ROOF	
REF	AG330124	1	TRAP FLOOD LIGHTS	
REF	AG330125	1	HIGH INTENSITY DISCHRG LIGHTS	
REF	AG330126	1	CAB ROOF FLOOD LIGHTS	
REF	AG330127	1	MOBILE RADIO ANTENNA CABLE	
REF	AG330128	1	RADIO SPEAKER ANTENNA (OPT)	
1	AG136180	1	CAB ASM-8/10X4	SEE PAGE 7-51
2	AG714062	-	SEALING WASHER	
3	AG562051	1	WASHER-LK,.31 SS REG	
4	AG517683	-	MAXIMISER CAB WINDSHIELD WASHE	[A]
5	AG325523	-	PLATE-WASHER,WINDSHIELD	
6	AG562090	1	NUT-.31-18NC HEX SS REG	
7	AG562049	1	BOLT 0.31-18NCX 0.75 S.S. HHD	
8	AG562074	2	WASHER FL .31 SS REG	
9	AG602124	1	CLEVIS 0.25X0.25-28 THD ZN	[B]
10	AG560553	1	PIN CLEVIS 0.25X0.87 ZN	
11	AG555452	1	PIN COTTER 0.06X0.75 ZN	
12	AG562046	2	WASHER-FLAT 1/2 TYPE B SS	
13	AG554898	1	CLAMP 1.12-COATED HOSE	
14	AG561679	1	WASHER-LOCK M8 ZN	
15	AG562644	1	SCREW SOC HD CAP M8-1.25X20MM	
16	AG561895	2	CLAMP 1.50 HOSE COATED	
17	401124X1	2	BOLT M12-1.75X40MM HHD SS 304	
18	AG238447	1	BRKT-MTG,HORN	[C]
	FOOTNOTE [A]		NO LONGER AVAILABLE, REPLACED BY AG060193	
	FOOTNOTE [B]		REPLACES AG021105 CRITICAL ITEM QTY 2	
	FOOTNOTE [B]		SEND 1 OF AG552178 AND ALSO 1 OF AG555452 WITH EACH CLEVIS	
	FOOTNOTE [B]		PLASTIC CLEVIS AG518506	
	FOOTNOTE [C]		FOR REPLACEMENT HORN USE AG713895	



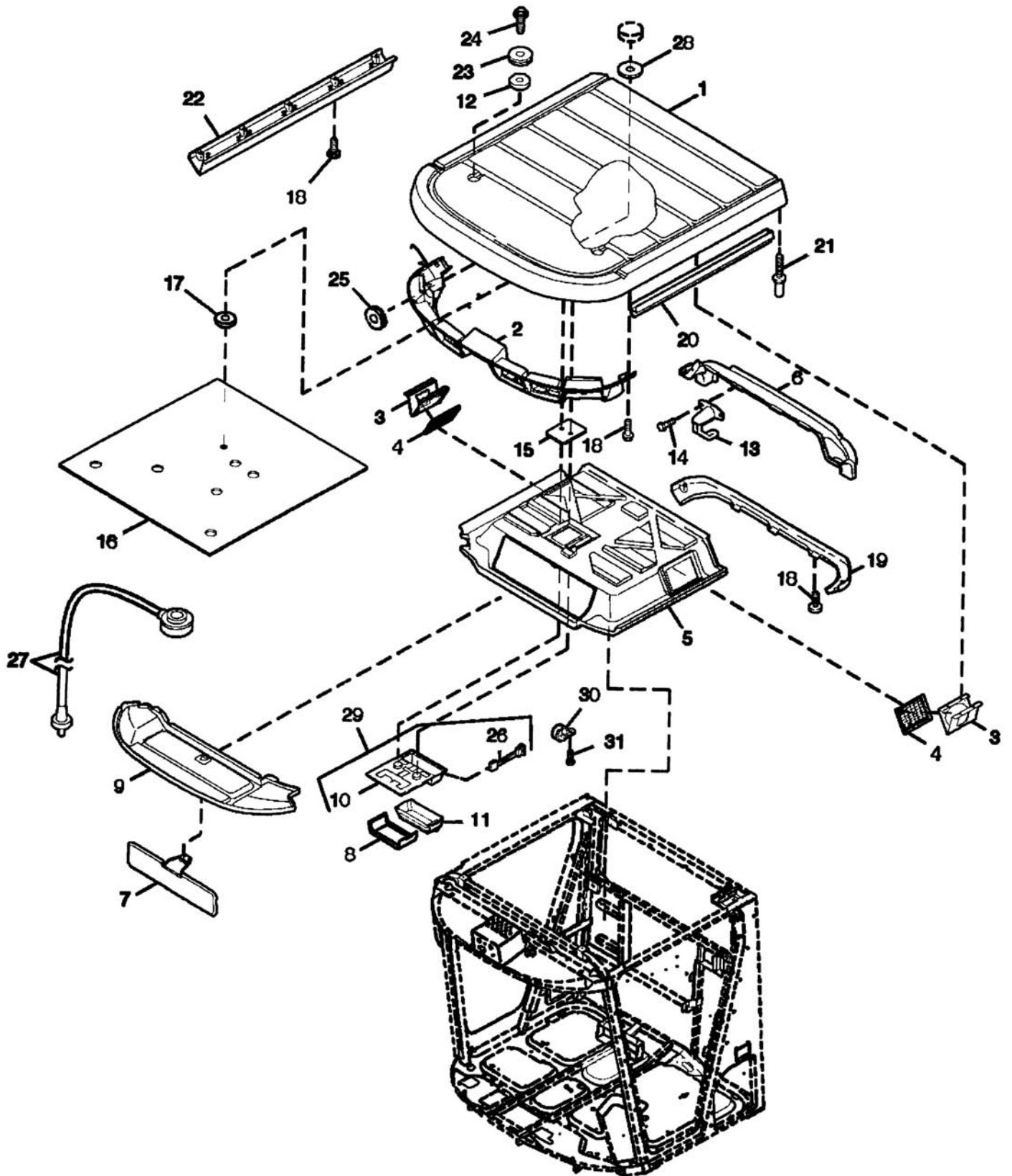
ITEM	PART #	QTY	DESCRIPTION	COMMENTS
1	AG124713	1	PANEL INSTL-FLOOR,864/1064	SEE PAGE 7-46
2	AG136181	1	CTRL INSTL-THROTTLE/BM SECT	SEE PAGE 7-2
3	AG233356	1	HARNES POWER	SEE PAGE 9-10
4	AG122546	1	MIRROR INSTALLATION	SEE PAGE 7-1
5	AG122262	1	HANDRAIL INSTL-CAB	SEE PAGE 7-44
6	AG328560	-	HOLE-MTG,THROTTLE,CAB RIDE	
7	505448D1	1	CAB ASM	
8	AG322494	-	PRT HOSE I NSTL CAB A/C	SEE PAGE 8-4
9	AG228831	-	PLATE CAB WALL COVER	
10	AG236451	1	CABLE INSTL-HYDROSTATIC	
11	AG121974	1	STEERING COLUMN RWK	SEE PAGE 7-39
12	AG129805	1	KEYCHAIN-LEATHER,RG	
13	AG328732	1	PLUG INSTL-PASSENGER SEAT	SEE PAGE 7-52
14	AG136196	1	ELECT INSTL-ARMREST,8/10X4	SEE PAGE 7-53
15	AG122049	1	GAUGE PANEL INSTL-LH	SEE PAGE 7-42
16	AG122050	1	GAUGE PANEL INSTL-RH	SEE PAGE 7-43



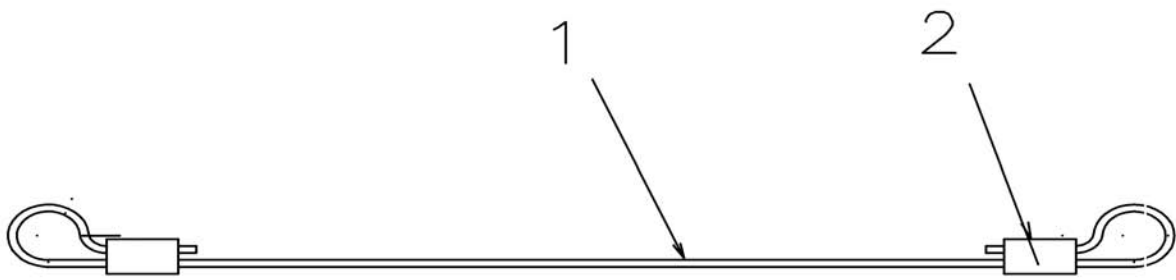
ITEM	PART #	QTY	DESCRIPTION	COMMENTS
1	AG604418	6	PLUG BLK HOLE 0.37	



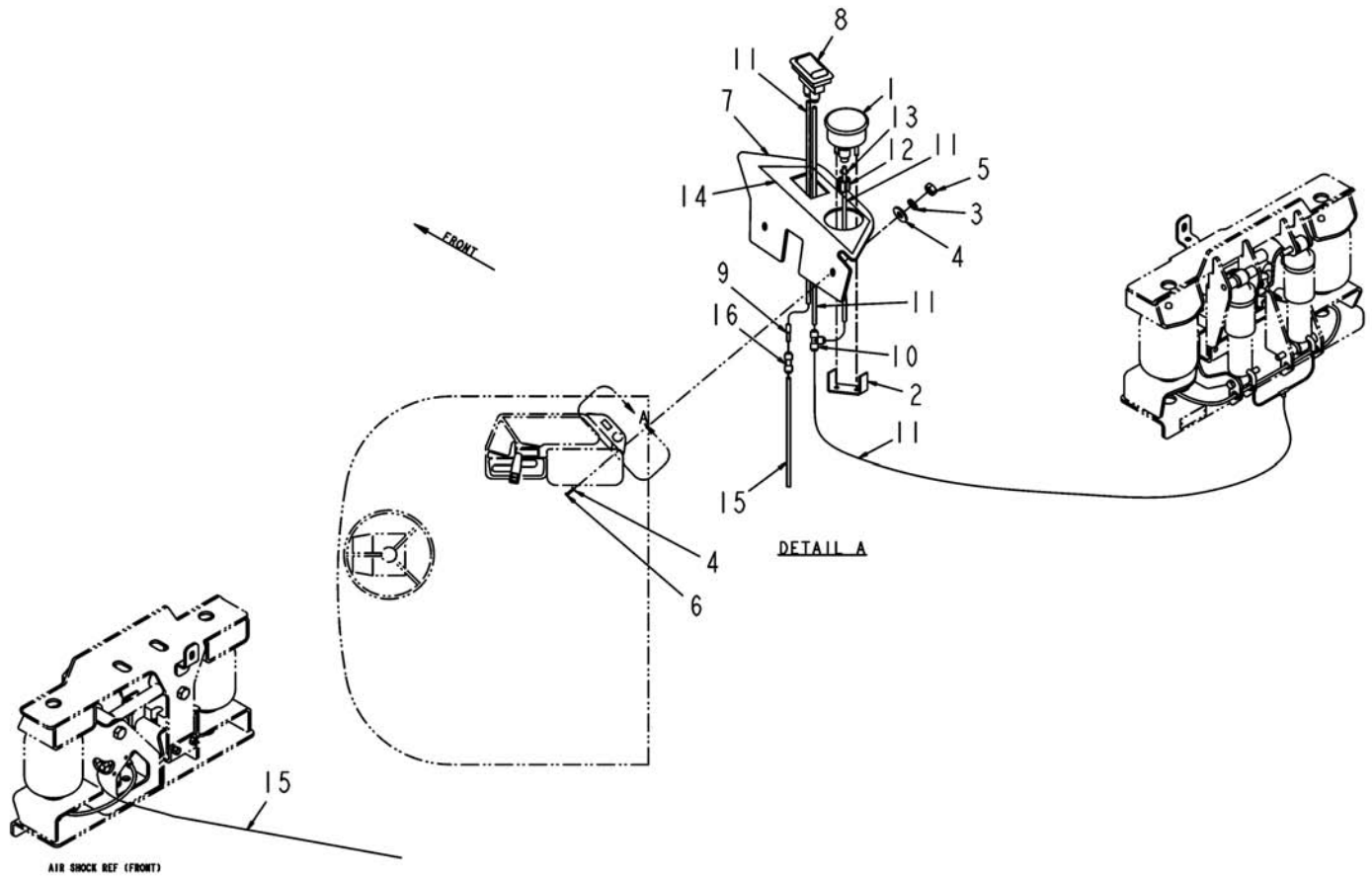
ITEM	PART #	QTY	DESCRIPTION	COMMENTS
1	AG322561	1	COVER RWK-ARMREST	[A]
2	AG122043	1	CIRCUIT BOARD ASM-ARMREST	SEE PAGE 7-41
3	AG322563	1	HARNES-EXTENSION	
4	AG322712	1	HARNES-RADAR & SWITCH BOX PWR	
5	AG520296	2	CIRCUIT BREAKER-10A CYCLING	
6	AG322562	1	HARNES-EXTENSION	
7	AG517421	1	LENS/BUSHING ASM	
8	AG520559	1	KNOB-POINTER	
9	AG562251	1	PLUG BLACK 0.50 PLASTIC	
10	AG520327	1	NUT-.47-32UNS,HEX,BLK	
11	AG520326	1	WASHER-LK,.47,INT TOOTH	
12	AG517755	1	KNOCKOUT ARMREST	
13	AG519190	AR	ADHESIVE HOT MELT	
	FOOTNOTE [A]		FOR REPLACEMENT LIGHTER USE AG520848	



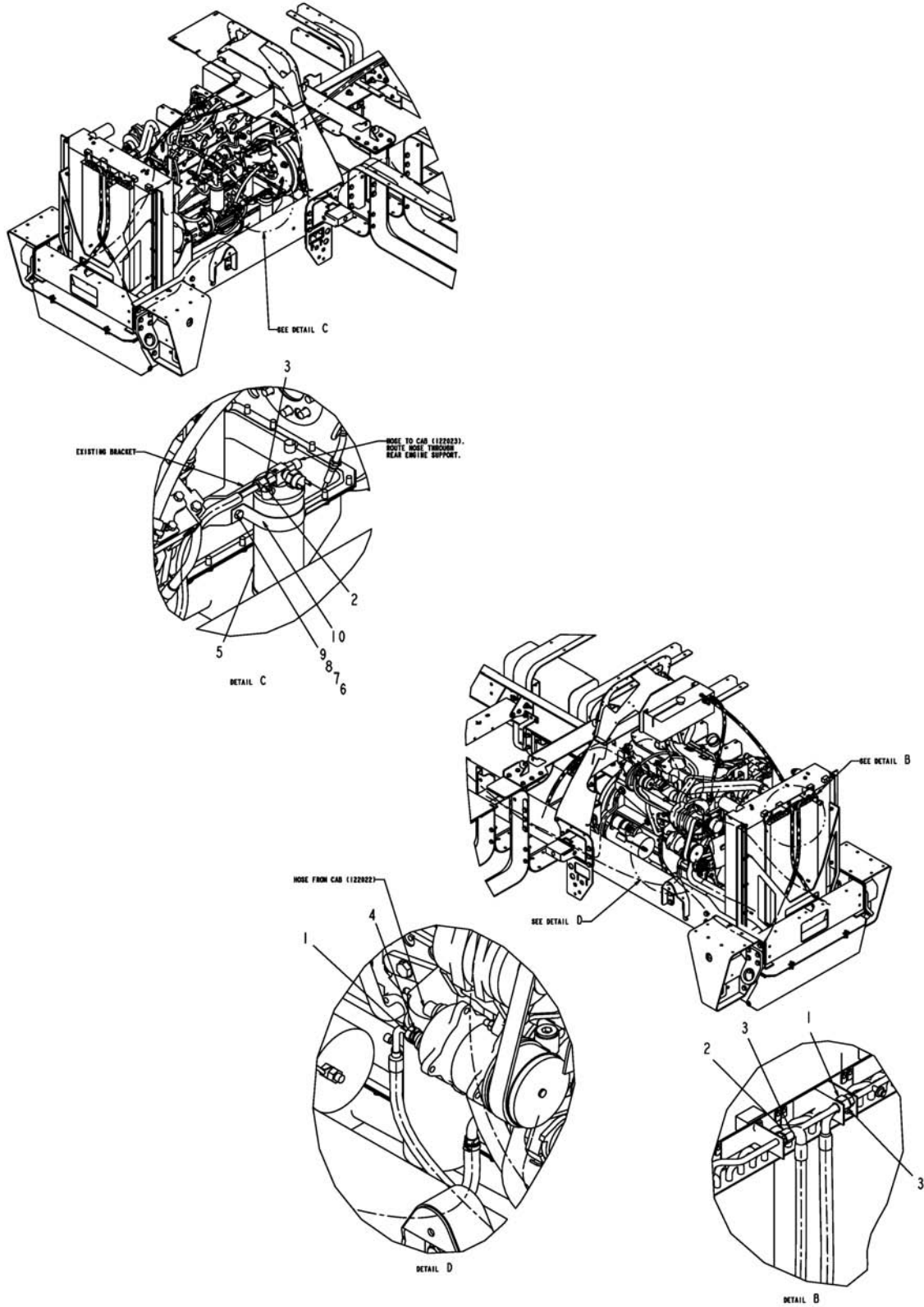
ITEM	PART #	QTY	DESCRIPTION	COMMENTS
1	AG060905	1	ROOF/YELLOW,ROGATOR	
2	AG727418	1	HOUSING	
4	AG061191	2	GRILLE/SPEAKER	
4	AG713382	2	ISOLATOR	
7	AG716958	1	LENS-DOMELIGHT	
10	AG061189	1	BASE/DOMELIGHT	
11	AG061190	1	COVER/DOMELIGHT	
12	AG714062	2	SEALING WASHER	
17	AG714064	23	SCREW	
19	AG714065	1	COVER	
20	AG714063	1	SEAL	
22	AG714067	2	COVER	
23	AG714061	2	WASHER 21X37X3 MM	
25	AG714060	1	SCREW M12X30 (10PC PKG)	



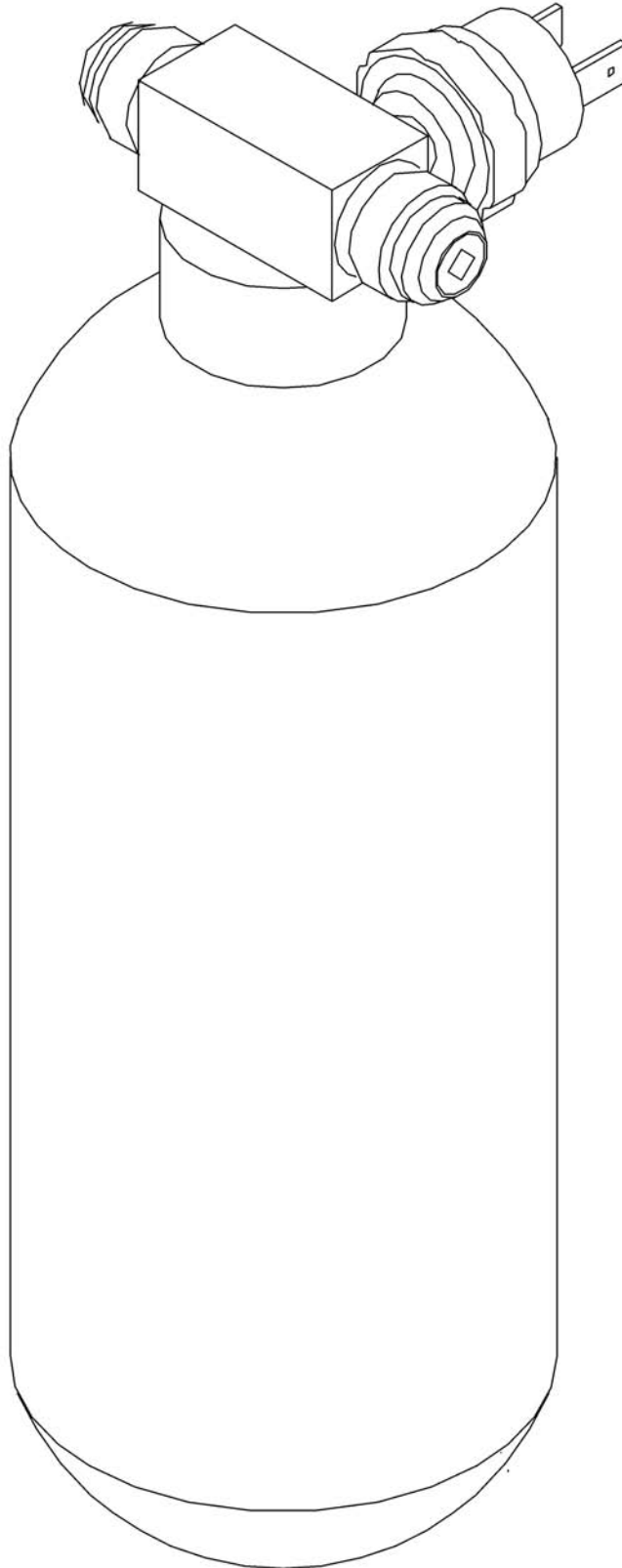
ITEM	PART #	QTY	DESCRIPTION	COMMENTS
1	AG107437	1	CABLE NYLON COATED	[A]
2	AG515981 FOOTNOTE [A]	2	COMPRESSION SLEEVE [516060] CABLE, NYLON COATED - BULK.	



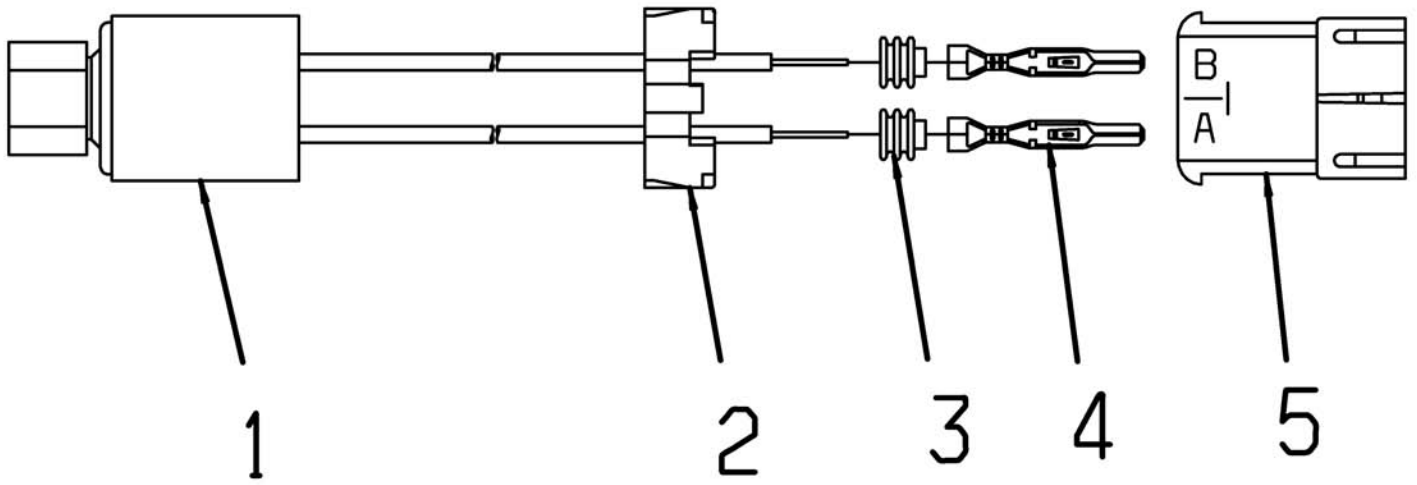
ITEM	PART #	QTY	DESCRIPTION	COMMENTS
1	AG522751	1	GAUGE-PRESSURE,1.5 IN	
2	AG522756	1	KIT-HARDWARE,GAUGE MTG	
3	AG550493	2	WASHER LK 0.25 ZN REG	
4	AG550507	4	WASHER FL 0.25 ZN REG TYPE-B	
5	AG550612	2	NUT 0.25-20NC HEX ZN REG	
6	AG558788	2	BOLT 0.25-20NCX 1.25 G5 ZN HHD	
7	AG328557	1	BRKT-MTG,CAB RIDE CONTROL	
8	AG522746	1	SWITCH-ROCKER,AIR	
9	AG522525	1	REDUCER-TUBE,,12TUBE X .25TUBE	
10	AG522757	1	TEE-UNION,AUTO LK,,12	
11	AG522754	-	TUBING-AIR LINE,,12 OD,POLYP [BULK: 6.584 FT]	
12	AG522749	1	CAP-FITTING,AIR	
13	AG522750	1	ORING-AS568-006-70,BUNA N	
14	AG263003	1	DECAL-CAB RIDE CONTROL	
15	AG518622	-	TUBING AIRLINE 0.25OD POLTHN [BULK: 6.000 FT]	
16	AG516207	1	CONNECTOR UNION 0.25TUBE A LCK	



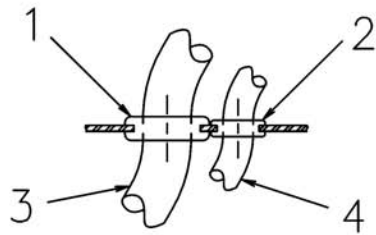
ITEM	PART #	QTY	DESCRIPTION	COMMENTS
1	AG122066	-	HOSE ASM A/C (R134A)-8X85.00	
2	AG122067	-	HOSE ASM A/C (R134A)-6X86.00	
3	AG518524	3	O-RING -06	
4	AG518525	1	O-RING -08	
5	AG519278	1	RECEIVER DEHYDRATOR	SEE PAGE 8-2
6	AG550205	2	WASHER LK 0.31 ZN REG	
7	AG550213	2	NUT 0.31-18NC HEX ZN REG	
8	AG551015	2	WASHER 0.31 FL ZN REG TYPE-B	
9	AG551252	2	BOLT 0.31-18NCX 1.00 G5 ZN HDD	
10	AG704540	1	CLAMP BRACKET DRIER	



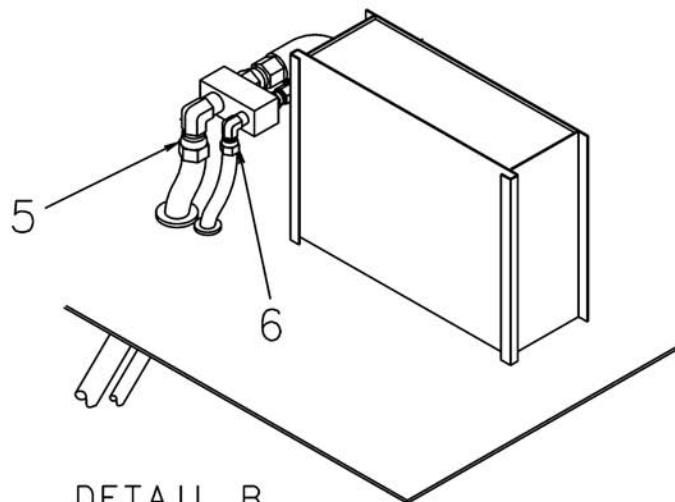
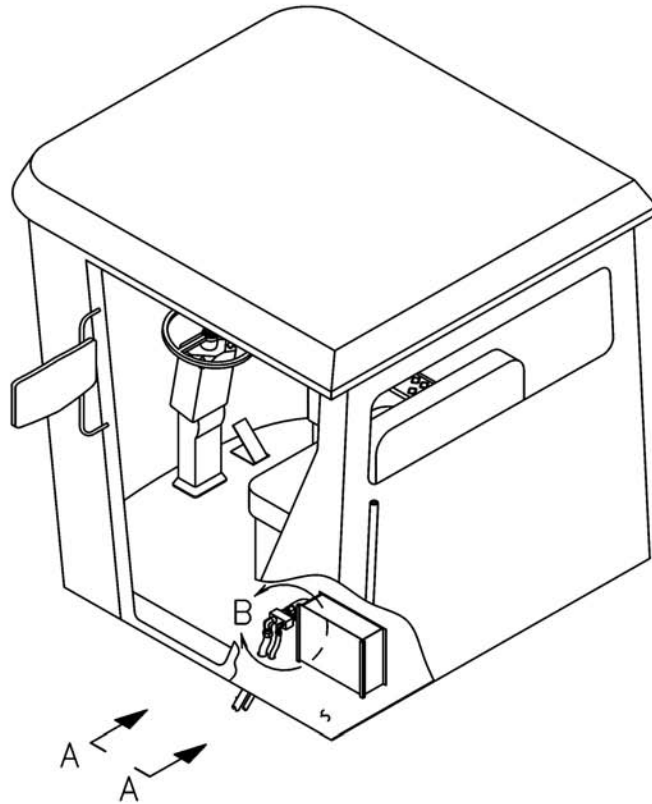
ITEM	PART #	QTY	DESCRIPTION	COMMENTS
REF	AG518524	2	O-RING -06	
REF	AG607237	1	SWITCH FREON PRESSURE (514632)	[A]
	FOOTNOTE [A]		SWITCH IS NORMALLY OPEN, MUST OPEN AT 25.31 PSI	
	FOOTNOTE [A]		THIS IS A LOW PRESSURE A/C SWITCH	
	FOOTNOTE:		FOR REPLACEMENT LOW PSI SWITCH USE AG607237	
	FOOTNOTE:		THIS DRIER HAS MALE O-RING THREADS	
	FOOTNOTE:		O-RING # AG518524-QTY 2 NEEDED	
	FOOTNOTE:		RECEIVER DRYER AG514632 HAS MALE FLARE THREADS	
	FOOTNOTE:		SEE PARTS BULLETIN 00392	



ITEM	PART #	QTY	DESCRIPTION	COMMENTS
1	AG524291	1	SWITCH-A/C,HIGH PRESSURE	[A]
2	AG520260	1	LOCK-METRIPACK,280/2 WIRE	
3	AG515765	2	SEAL CABLE GREY REEL 14 GA	
4	AG519288	2	TERM METRI-PACK M280/20-16 GA	
5	AG517616	1	CONNECTOR MA 2 WAY 280 SEALED	
	FOOTNOTE [A]		USE AG262906 AS IT HAS THE WIRE ENDS INSTALLED.	
	FOOTNOTE:		AG524291 SWITCH ONLY	

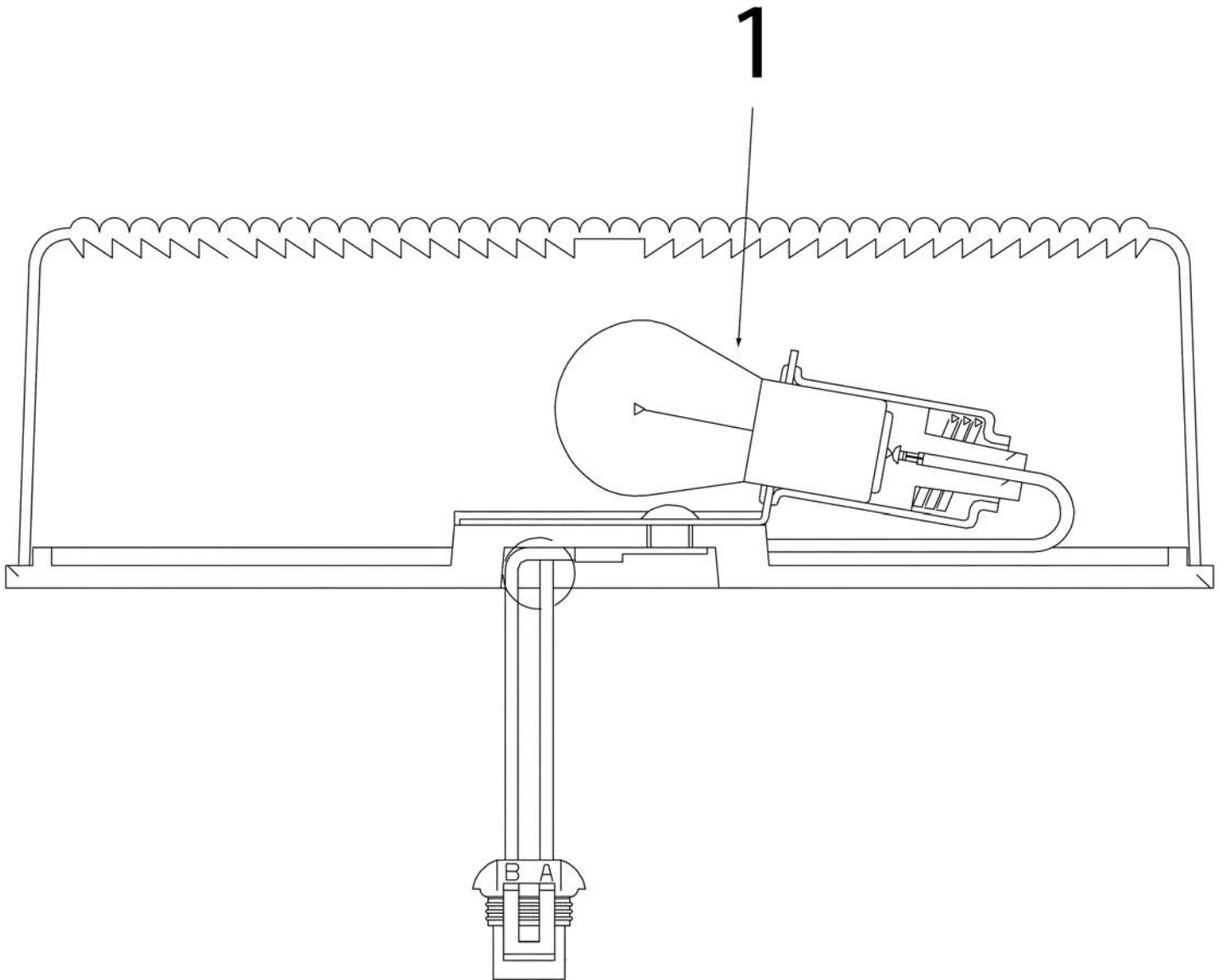


SECTION A-A

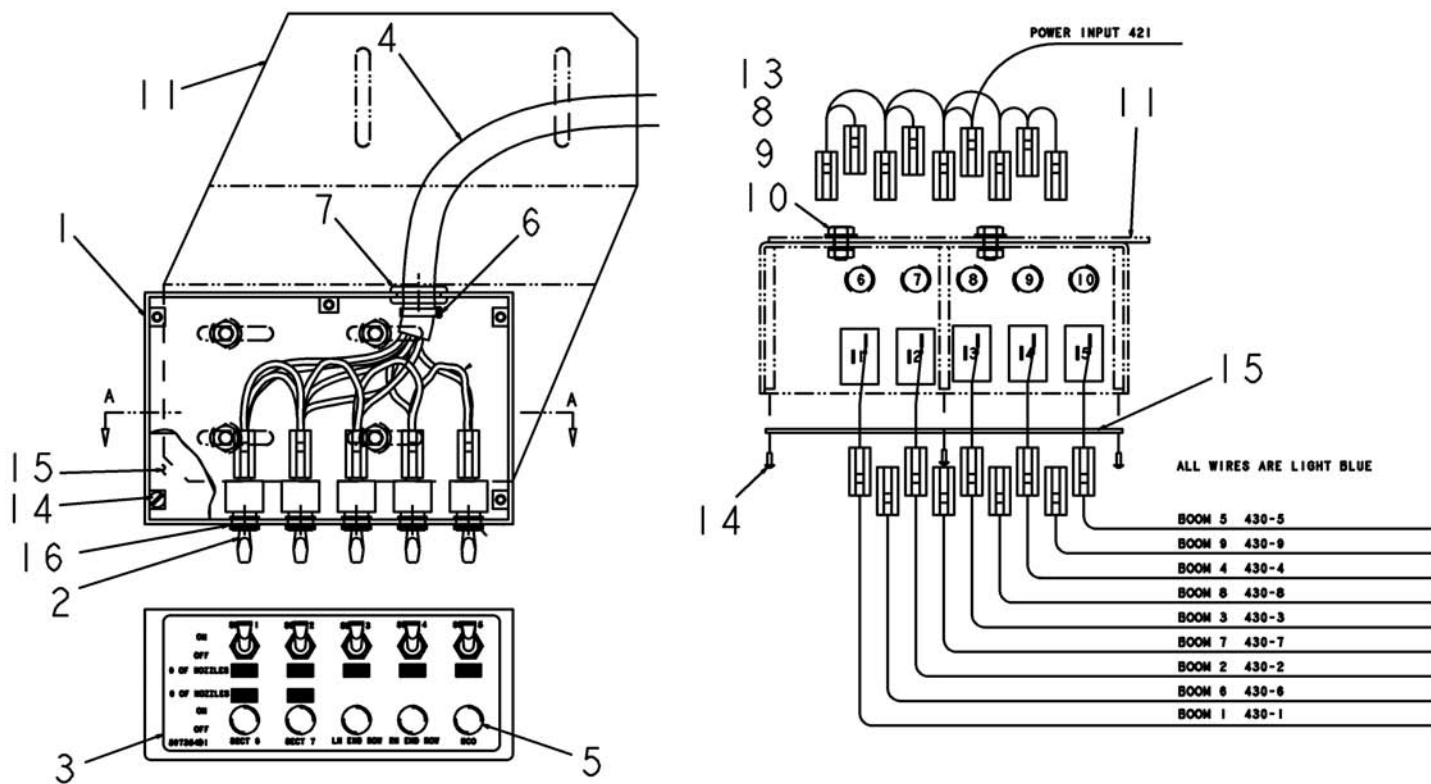


DETAIL B

ITEM	PART #	QTY	DESCRIPTION	COMMENTS
1	AG514352	1	GROMMET 1.00IDX1.38 GROOVE DIA	
2	AG514385	1	GROMMET .63 ID .88 GROOVE DIA	
3	AG324064	1	STRAP-TANK	
4	AG235660	1	HOSE ASM A/C -6 X 42.00	
5	AG518526	1	O-RING -10	
6	AG518524	1	O-RING -06	

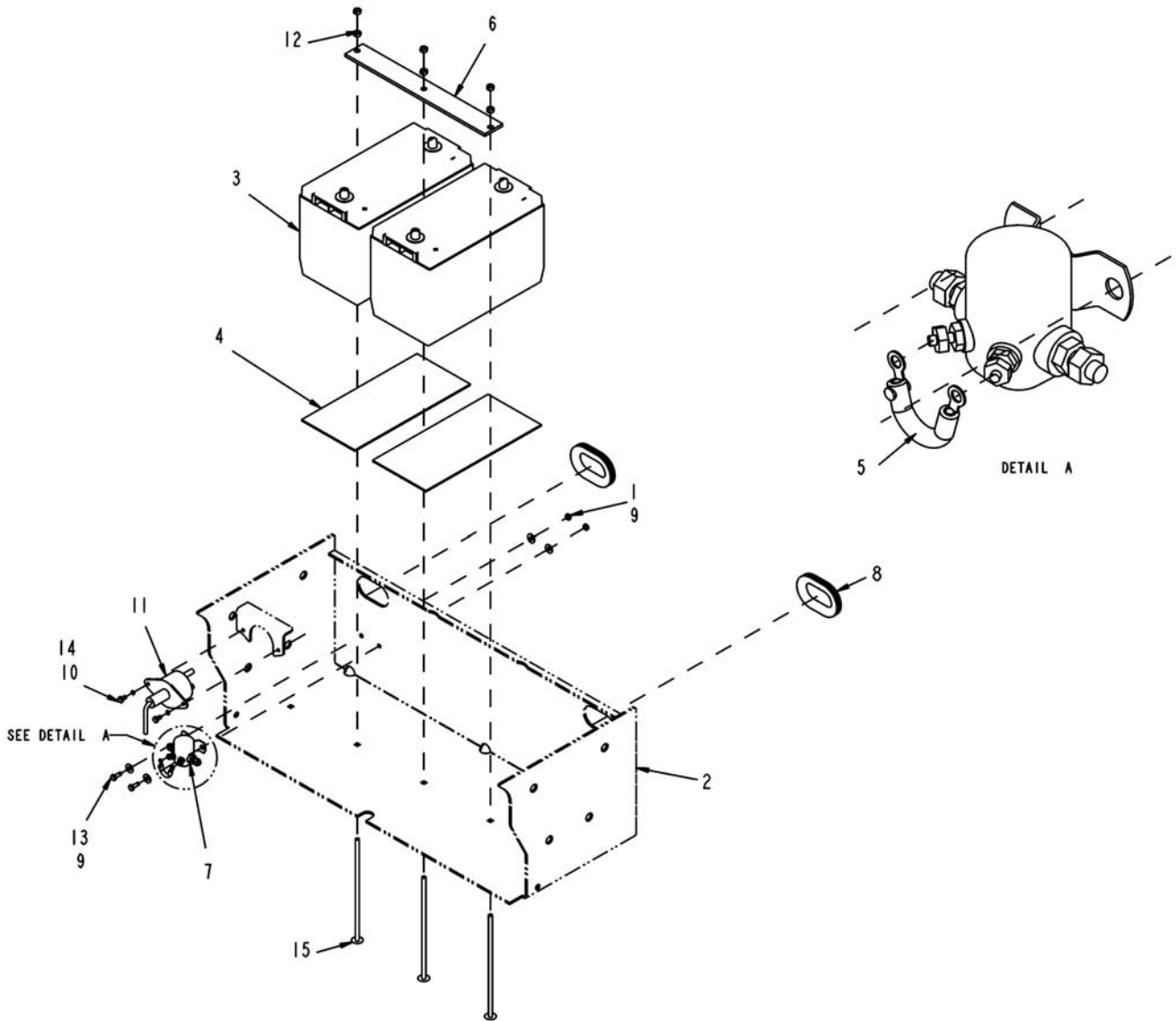


ITEM	PART #	QTY	DESCRIPTION	COMMENTS
1	AG721040 FOOTNOTE:	1	BULB FRONT #1156 TURN SIGNAL BULB ONLY - AG721040,	

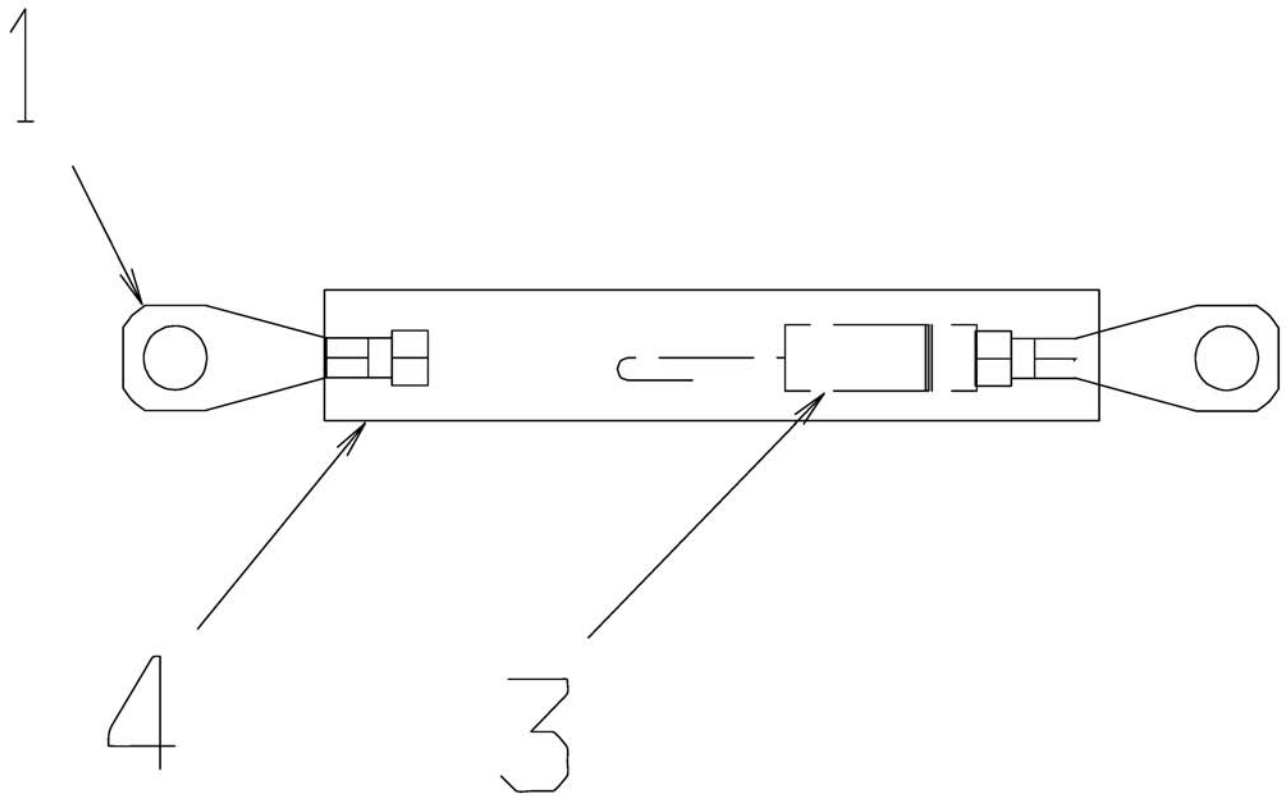


SECTION A-A

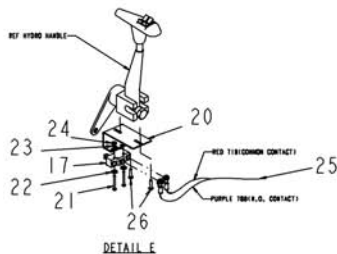
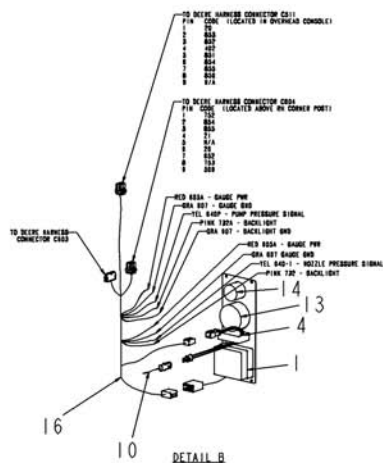
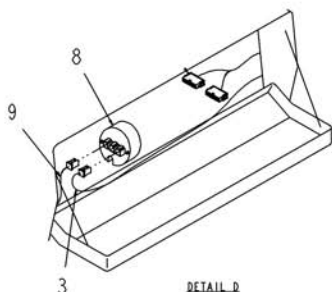
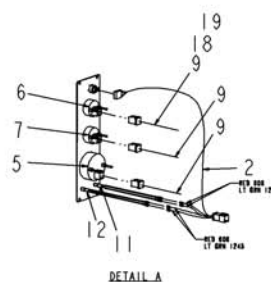
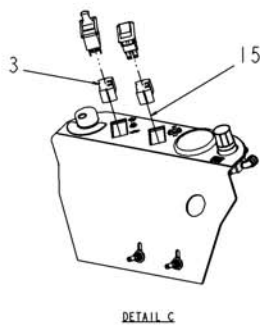
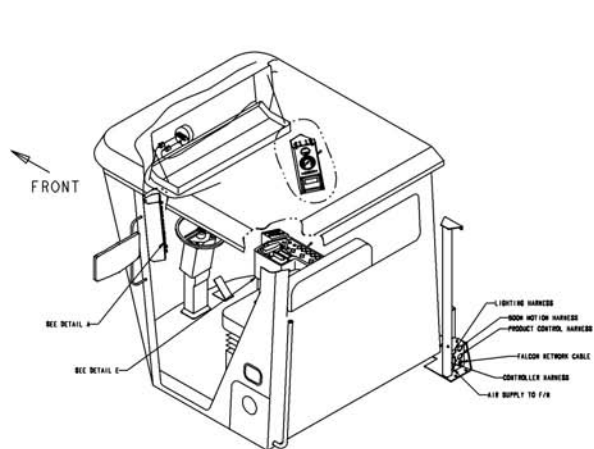
ITEM	PART #	QTY	DESCRIPTION	COMMENTS
1	AG235467	1	CONTROL BOX	
2	AG518707	5	SWITCH ELECT SPST BAT HANDLE	
3	507354D1	1	DECAL-SWITCHBOX,7SECT,8/10X4	
4	507356D1	1	HARN-SWITCHBOX,7SECT,8/10X4	
5	AG562251	5	PLUG BLACK 0.50 PLASTIC	
6	AG553557	1	TIE CABLE 7.37 .06-1.37 BLACK	
7	AG515310	1	GROMMET .75ID X1.0 GROOVE DIA	
8	AG562047	4	BOLT 0.25-20NCX 0.50 S.S. HHD	
9	AG515122	4	WASHER LK 0.25 SS REG	
10	AG515123	4	NUT 0.25-20NC HEX SS REG	
11	AG231940	1	BRACKET,SWITCH	
13	AG515121	4	WASHER 0.25 FL SS REG	
14	AG029233	5	SCREW MACH RDHD SL ZN 8-32X.50	
15	AG322370	1	COVER	
16	AG520326	5	WASHER-LK,.47,INT TOOTH	



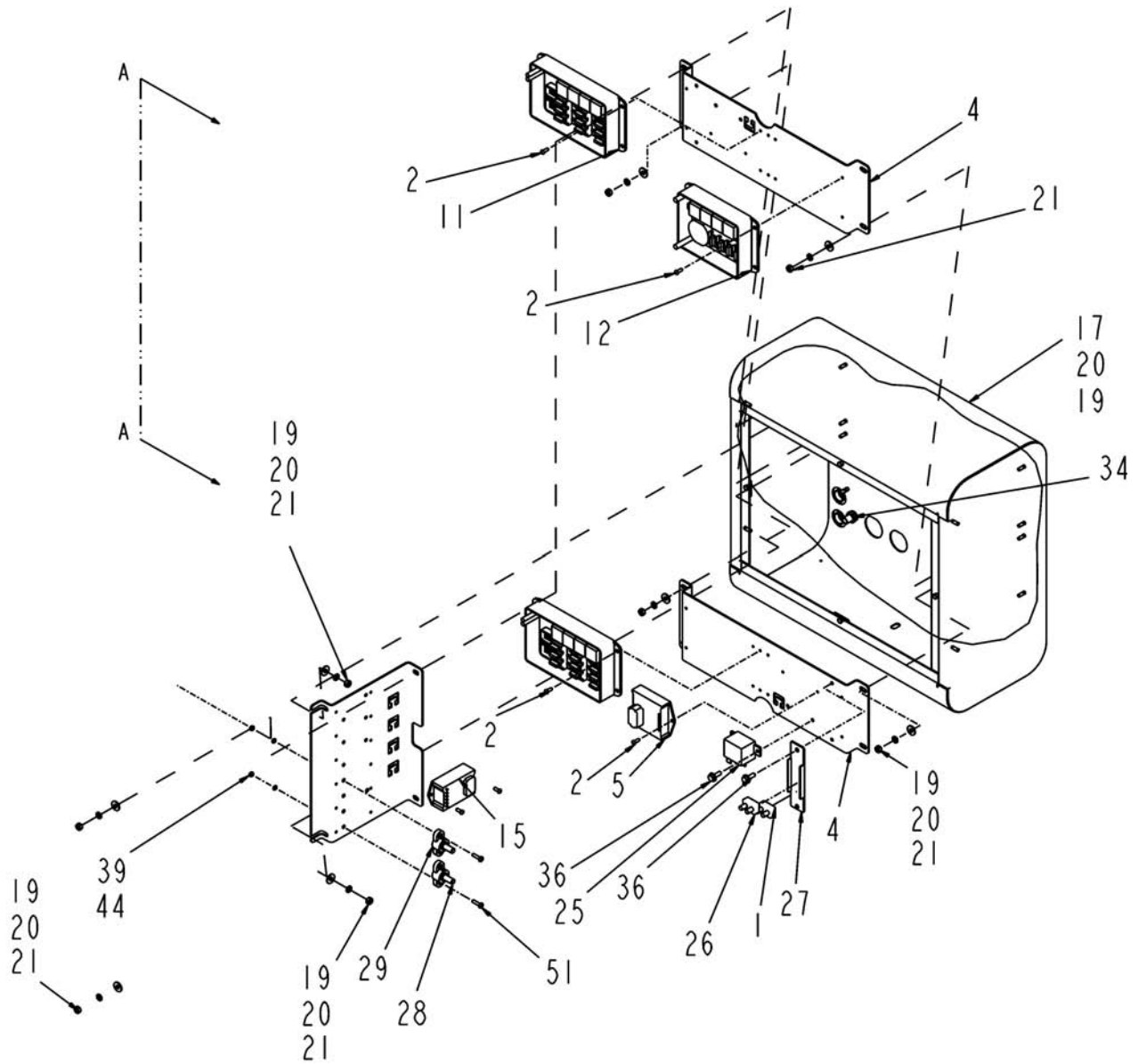
ITEM	PART #	QTY	DESCRIPTION	COMMENTS
1	AG027275	2	NUT,NY-LOCK 1/4-20 SS HX (P)	
2	AG121545	-	BRACKET WLDMT-BATTERY TRAY	
3	AG123761	2	BATTERY-GROUP 31	
4	AG223413	2	MAT BATTERY	
5	AG232490	1	SUPPRESSOR DIODE	SEE PAGE 9-5
6	AG239926	1	STRAP-HLDN,BATTERY	
7	AG510734	1	SWITCH MAGNETIC	[A]
8	AG513654	-	EDGE LINER .19 IN TK MAT PVC [BULK: 20.000 FT]	
9	AG515121	4	WASHER 0.25 FL SS REG	
10	AG517657	2	SCREW #10-24X0.50 MACH HHD SS	
11	AG520910	1	SWITCH-BATTERY,SHUTOFF	
12	AG550213	6	NUT 0.31-18NC HEX ZN REG	
13	AG562054	2	BOLT 0.25-20NCX 0.75 S.S. HHD	
14	AG562081	2	WASHER #10 LK SS REG	
15	AG562308	3	BOLT-.31-18X10.00,G5,ZN,CRG	[B]
	FOOTNOTE [A]		GOLD IN COLOR, AG511455 IS SILVER IN COLOR	
	FOOTNOTE [A]		DIODE AG232490	
	FOOTNOTE [B]		USE AG523581	



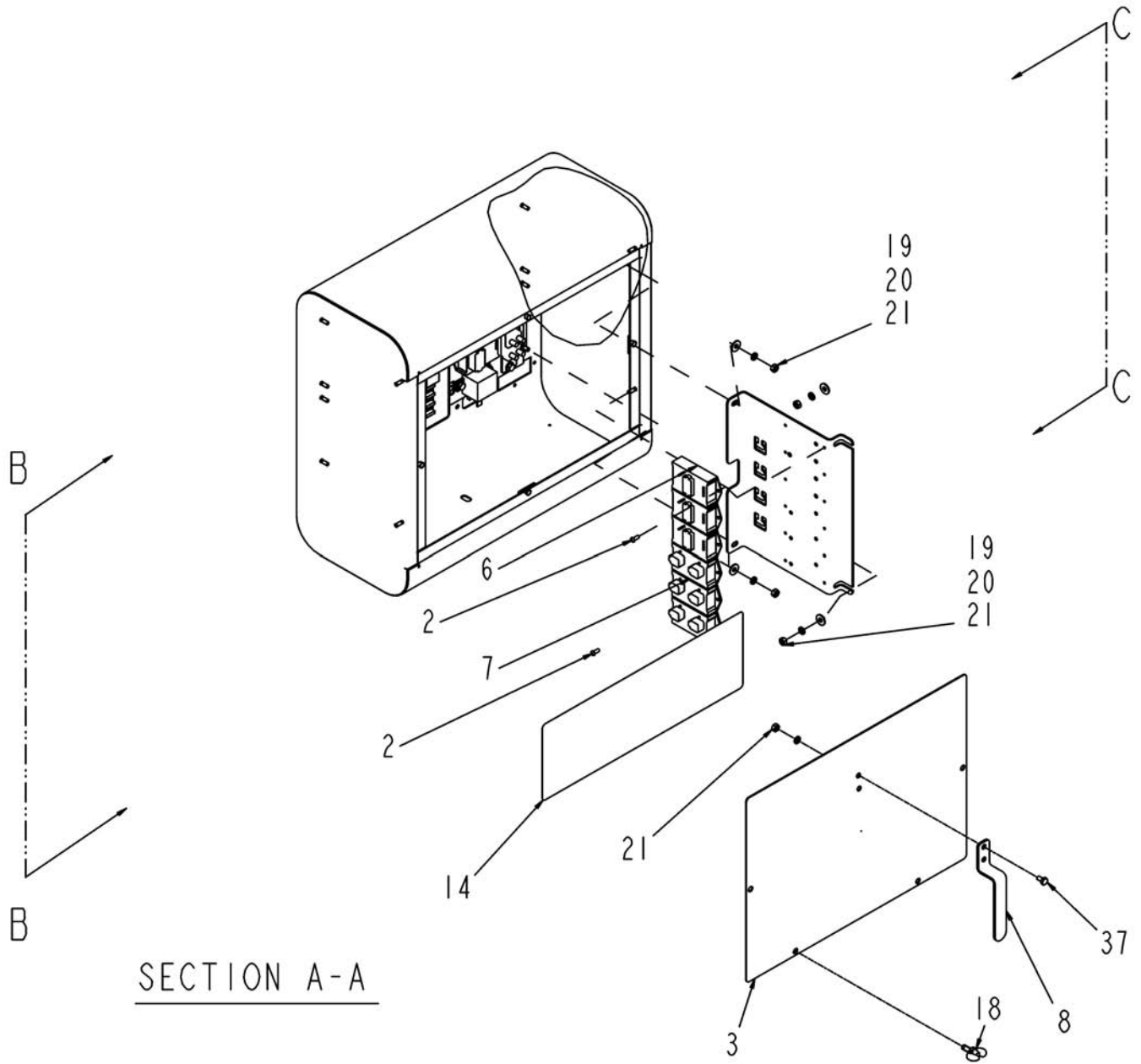
ITEM	PART #	QTY	DESCRIPTION	COMMENTS
1	AG610401	2	TERM-RING,SAE B104 (503295)	
3	AG516865	1	SILICON RECTIFIER DIODE	[A]
4	AG517550	-	TUBING HEAT SHRINK W/SEAL 1/4 [BULK: 0.166 FT]	
	FOOTNOTE [A]		AG234426 DIODE	
	FOOTNOTE:		POSITION BAND ON DIODE TOWARD THE 12V SIDE, MAG SWITCH - AG510734	



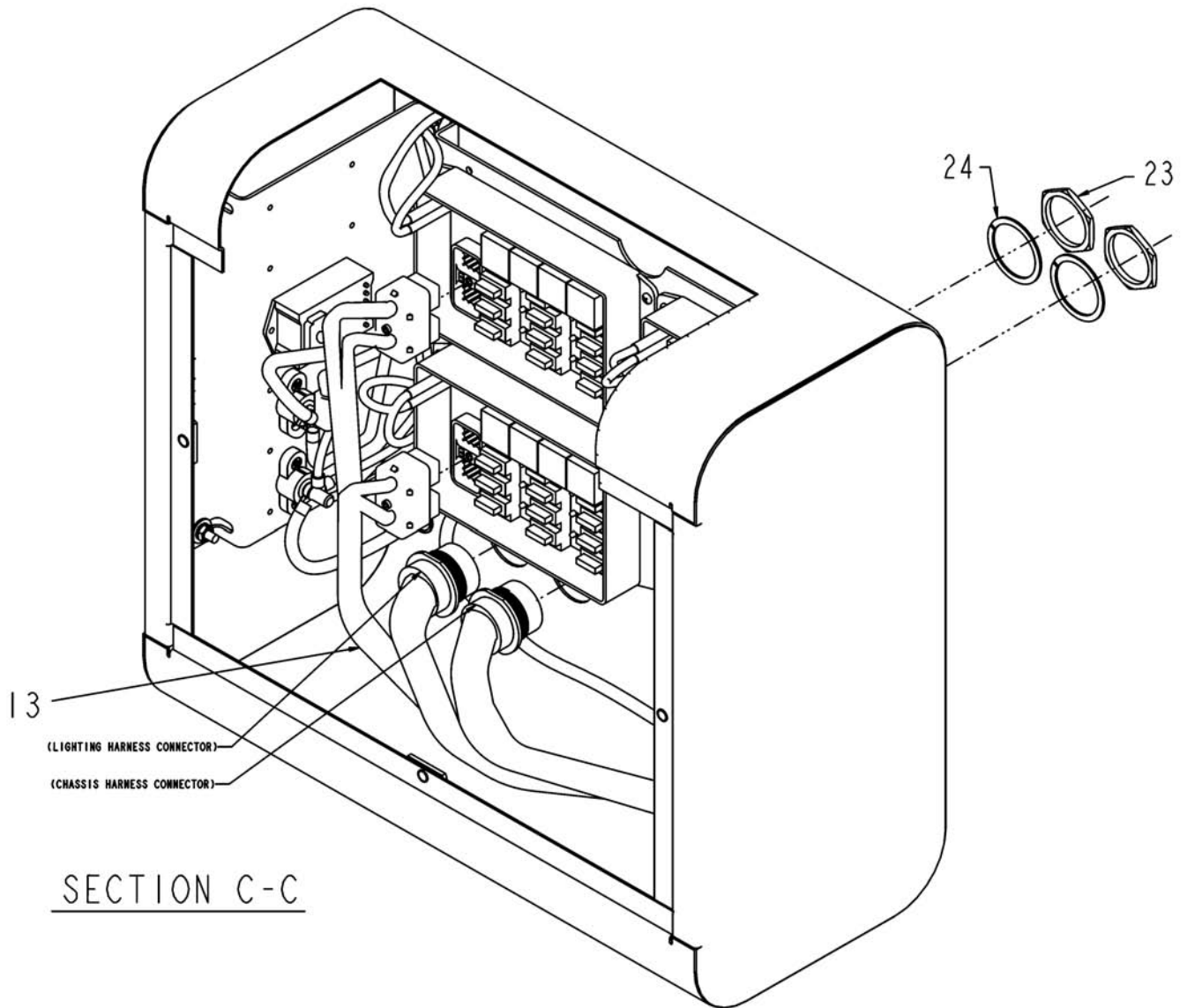
ITEM	PART #	QTY	DESCRIPTION	COMMENTS
1	AG121752	-	DISPLAY-RADAR SPEED,DJ CIP	
2	AG121970	1	HARNESS-WARNING,LIGHTS	
3	AG121716	-	HARNESS-ENGINE ELECTRONICS,CH	
4	AG122134	-	VALVE POSITION INDICATOR	
5	AG122002	-	GAUGE-RPM,CAT	
6	AG122003	-	GAUGE-TEMP,CAT	
7	AG122004	-	GAUGE-PRESS,CAT	
8	AG122005	1	BOX-INTERFACE,CAN	
9	AG122006	3	CABLE-PIGTAIL,GAUGE	
10	AG420246	-	HARNESS-SWITCH ASM	
11	AG121969	-	INDICATOR ASM-PANEL,YELLOW	SEE PAGE 7-35
12	AG235002	-	INDICATOR ASM PANEL LAMP	SEE PAGE 7-36
13	AG520671	-	GAUGE-PRESSURE,0-100	
14	AG521016	-	GAUGE-PRESS, 0-150PSI	
15	507355D1	1	HARN-PROD CONT,CAB,8/10X4	
16	AG122232	1	HARNESS-GAUGE PNL,RH	
17	AG520347	1	SWITCH-MICRO,SPDT ROLLER	
18	AG122007	1	TERMINATION RESISTOR	
19	AG122382	1	TERMINATOR-MA/FE	
20	AG122388	1	BRKT-MTG,SWITCH,REVERSE	
21	AG517219	2	SCREW #6-32X1.25 MA RDHD SLTZN	
22	AG517158	2	WASHER #6 FL ZN REG	
23	AG517159	2	WASHER #6 LK ZN REG	
24	AG517157	2	NUT #6-32 HX ZN REG	
25	AG124868	-	HARNESS-CHASSIS,864	
26	AG551287	2	SCREW 10-16X.50 TAP ZN HHD (D)	



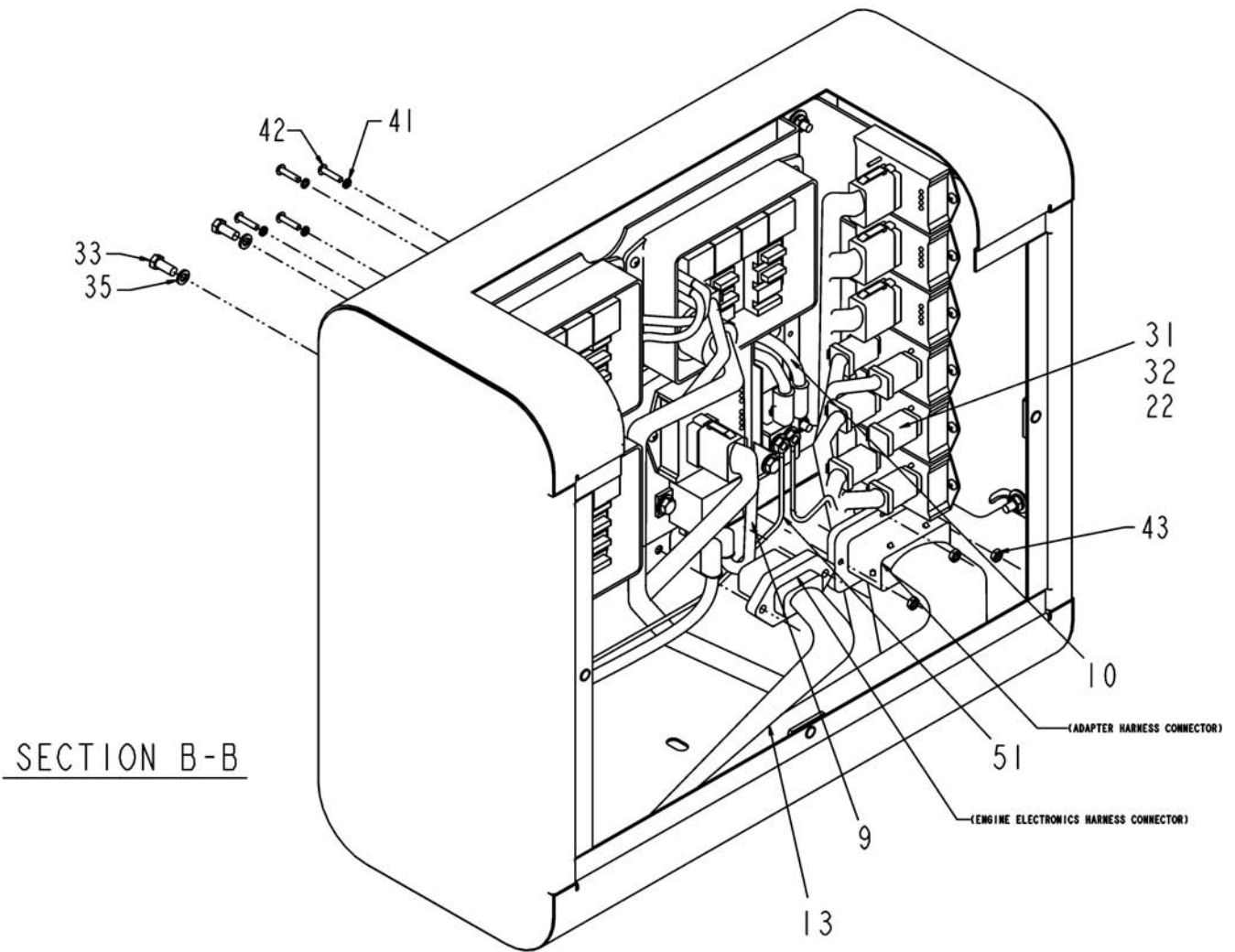
ITEM	PART #	QTY	DESCRIPTION	COMMENTS
1	AG026642	1	BREAKER,CIRCUIT 15AMP (D)	
2	AG029293	28	SCREW 10-24X0.50 TAP IWHTD	
3	AG121126	1	DOOR ELECTRICAL BOX	
4	AG121160	2	PANEL-POWER DIST	
5	AG121748	1	MODULE-FLASHER,DUAL RATE	[A]
6	AG121749	3	MODULE-RELAY,4 PACK,NO	[B]
7	AG121750	3	MODULE-RELAY,2 PACK	
8	AG122059	1	HANDLE,ELECTRICAL BOX	
9	AG122305	1	CABLE-RELAY,CKT BKT,HVAC	
10	AG122306	1	CABLE-PWR STUD,CKT BKR,HVAC	
11	AG124451	2	MODULE-POWER DIST,11 FUSE	SEE PAGE 9-8
12	AG124452	1	MODULE-POWER DIST,HI CURRENT	SEE PAGE 9-9
13	AG124866	1	HARNESS-FUSE BLOCK,864	
14	AG125505	1	DECAL-FUSE BLOCK	
15	AG125547	1	MODULE-STOP/TURN	
16	AG131760	2	PANEL-SIDE,ELEC CABINET	
17	AG131761	-	BOX-WLDMT,ELECTRICAL	
18	AG133274	4	SCREW-THUMB,.31-18NCX.75 ZY	
19	AG515121	12	WASHER 0.25 FL SS REG	
20	AG515122	14	WASHER LK 0.25 SS REG	
21	AG515123	14	NUT 0.25-20NC HEX SS REG	
22	AG515669	6	PLUG-SEAL,SIZE 16 CONTACT	
23	AG515697	2	NUT PANEL ELEC CONNECTOR	
24	AG515698	2	WASHER LOCK ELEC CONNECTOR	
25	AG516864	1	RELAY-ELEC,12VDC,75AMP	[C]
26	AG517431	1	BREAKER 50A CYCLING CIRCUIT	
27	AG517433	1	MOUNTING BRACKET CIRCUIT BRKR	
28	AG520092	1	JUNCTION BLOCK-STUD TYPE,BLK	
29	AG520093	1	JUNCTION BLOCK-STUD TYPE,RED	
30	AG520140	1	FUSE 1A BLADE ATC	
31	AG520746	1	CONN-PLUG,6 WAY,18-14 GA	
32	AG520748	1	LOCK-PLUG,6 WAY	
33	AG521728	2	BOLT-M6-1.0X16,,SS,HHD	
34	AG521974	1	STRAIN RELIEF-.200-.394 ID	
35	AG522242	2	WASHER-LK,M6,SS	
36	AG561905	2	SCREW .25-20X 0.75 TAP ZN IWHTD	
37	AG562047	2	BOLT 0.25-20NCX 0.50 S.S. HHD	
38	AG562050	2	WASHER LK 0.37 SS REG	
39	AG562061	4	NUT #10-24NC HEX SS REG	
40	AG562065	2	NUT 0.37-16NC HEX SS REG	
41	AG562066	4	WASHER #8 LK SS REG	
42	AG562067	4	SCREW 8-32X 0.75 MA SS SL RHD	
43	AG562070	4	NUT #8-32NC HEX SS REG	
44	AG562081	4	WASHER #10 LK SS REG	
45	AG562925	1	FUSE BLADE 30A ATC	
46	AG562928	1	FUSE 25A BLADE ATC	
47	AG562929	2	FUSE 20A BLADE ATC	
48	AG562930	5	FUSE 15A BLADE ATC	
49	AG562931	11	FUSE 10A BLADE ATC	
50	AG562933	5	FUSE 5A BLADE ATC	
51	AG563094	4	SCREW 10-24X0.75 PH PHS SS	
52	AG609645	1	BOOT .37 STUD 4 GA RED #704R	
53	AG607312	-	INSL SELF ADHES 0.12THKX0.50WD [BULK: 6.300 FT]	
54	AG125810	1	CABLE-JUMPER,CONV,PWR	
	FOOTNOTE [A]		RELAY IS POTTED, NOT REPLACABLE, MUST REPLACE MODULE	
	FOOTNOTE [B]		AG719617 - RELAYS (4)	
	FOOTNOTE [C]		SEE TECH BULLETN 9823	
	FOOTNOTE [C]		SEE TECH BULLETIN 9864 FOR HEAD RINSE, RELAY INFO. 75 AMP RELAY	



ITEM	PART #	QTY	DESCRIPTION	COMMENTS
1	AG026642	1	BREAKER,CIRCUIT 15AMP (D)	
2	AG029293	28	SCREW 10-24X0.50 TAP IWHTD	
3	AG121126	1	DOOR ELECTRICAL BOX	
4	AG121160	2	PANEL-POWER DIST	
5	AG121748	1	MODULE-FLASHER,DUAL RATE	[A]
6	AG121749	3	MODULE-RELAY,4 PACK,NO	[B]
7	AG121750	3	MODULE-RELAY,2 PACK	
8	AG122059	1	HANDLE,ELECTRICAL BOX	
9	AG122305	1	CABLE-RELAY,CKT BKT,HVAC	
10	AG122306	1	CABLE-PWR STUD,CKT BKR,HVAC	
11	AG124451	2	MODULE-POWER DIST,11 FUSE	SEE PAGE 9-8
12	AG124452	1	MODULE-POWER DIST,HI CURRENT	SEE PAGE 9-9
13	AG124866	1	HARNESS-FUSE BLOCK,864	
14	AG125505	1	DECAL-FUSE BLOCK	
15	AG125547	1	MODULE-STOP/TURN	
16	AG131760	2	PANEL-SIDE,ELEC CABINET	
17	AG131761	-	BOX-WLDMT,ELECTRICAL	
18	AG133274	4	SCREW-THUMB,.31-18NCX.75 ZY	
19	AG515121	12	WASHER 0.25 FL SS REG	
20	AG515122	14	WASHER LK 0.25 SS REG	
21	AG515123	14	NUT 0.25-20NC HEX SS REG	
22	AG515669	6	PLUG-SEAL,SIZE 16 CONTACT	
23	AG515697	2	NUT PANEL ELEC CONNECTOR	
24	AG515698	2	WASHER LOCK ELEC CONNECTOR	
25	AG516864	1	RELAY-ELEC,12VDC,75AMP	[C]
26	AG517431	1	BREAKER 50A CYCLING CIRCUIT	
27	AG517433	1	MOUNTING BRACKET CIRCUIT BRKR	
28	AG520092	1	JUNCTION BLOCK-STUD TYPE,BLK	
29	AG520093	1	JUNCTION BLOCK-STUD TYPE,RED	
30	AG520140	1	FUSE 1A BLADE ATC	
31	AG520746	1	CONN-PLUG,6 WAY,18-14 GA	
32	AG520748	1	LOCK-PLUG,6 WAY	
33	AG521728	2	BOLT-M6-1.0X16,,SS,HHD	
34	AG521974	1	STRAIN RELIEF-.200-.394 ID	
35	AG522242	2	WASHER-LK,M6,SS	
36	AG561905	2	SCREW .25-20X 0.75 TAP ZN IWHTD	
37	AG562047	2	BOLT 0.25-20NCX 0.50 S.S. HHD	
38	AG562050	2	WASHER LK 0.37 SS REG	
39	AG562061	4	NUT #10-24NC HEX SS REG	
40	AG562065	2	NUT 0.37-16NC HEX SS REG	
41	AG562066	4	WASHER #8 LK SS REG	
42	AG562067	4	SCREW 8-32X 0.75 MA SS SL RHD	
43	AG562070	4	NUT #8-32NC HEX SS REG	
44	AG562081	4	WASHER #10 LK SS REG	
45	AG562925	1	FUSE BLADE 30A ATC	
46	AG562928	1	FUSE 25A BLADE ATC	
47	AG562929	2	FUSE 20A BLADE ATC	
48	AG562930	5	FUSE 15A BLADE ATC	
49	AG562931	11	FUSE 10A BLADE ATC	
50	AG562933	5	FUSE 5A BLADE ATC	
51	AG563094	4	SCREW 10-24X0.75 PH PHS SS	
52	AG609645	1	BOOT .37 STUD 4 GA RED #704R	
53	AG607312	-	INSL SELF ADHES 0.12THKX0.50WD [BULK: 6.300 FT]	
54	AG125810	1	CABLE-JUMPER,CONV,PWR	
	FOOTNOTE [A]		RELAY IS POTTED, NOT REPLACABLE, MUST REPLACE MODULE	
	FOOTNOTE [B]		AG719617 - RELAYS (4)	
	FOOTNOTE [C]		SEE TECH BULLETN 9823	
	FOOTNOTE [C]		SEE TECH BULLETIN 9864 FOR HEAD RINSE, RELAY INFO. 75 AMP RELAY	



ITEM	PART #	QTY	DESCRIPTION	COMMENTS
1	AG026642	1	BREAKER,CIRCUIT 15AMP (D)	
2	AG029293	28	SCREW 10-24X0.50 TAP IWHD	
3	AG121126	1	DOOR ELECTRICAL BOX	
4	AG121160	2	PANEL-POWER DIST	
5	AG121748	1	MODULE-FLASHER,DUAL RATE	[A]
6	AG121749	3	MODULE-RELAY,4 PACK,NO	[B]
7	AG121750	3	MODULE-RELAY,2 PACK	
8	AG122059	1	HANDLE,ELECTRICAL BOX	
9	AG122305	1	CABLE-RELAY,CKT BKT,HVAC	
10	AG122306	1	CABLE-PWR STUD,CKT BKR,HVAC	
11	AG124451	2	MODULE-POWER DIST,11 FUSE	SEE PAGE 9-8
12	AG124452	1	MODULE-POWER DIST,HI CURRENT	SEE PAGE 9-9
13	AG124866	1	HARNESS-FUSE BLOCK,864	
14	AG125505	1	DECAL-FUSE BLOCK	
15	AG125547	1	MODULE-STOP/TURN	
16	AG131760	2	PANEL-SIDE,ELEC CABINET	
17	AG131761	-	BOX-WLDMT,ELECTRICAL	
18	AG133274	4	SCREW-THUMB,.31-18NCX.75 ZY	
19	AG515121	12	WASHER 0.25 FL SS REG	
20	AG515122	14	WASHER LK 0.25 SS REG	
21	AG515123	14	NUT 0.25-20NC HEX SS REG	
22	AG515669	6	PLUG-SEAL,SIZE 16 CONTACT	
23	AG515697	2	NUT PANEL ELEC CONNECTOR	
24	AG515698	2	WASHER LOCK ELEC CONNECTOR	
25	AG516864	1	RELAY-ELEC,12VDC,75AMP	[C]
26	AG517431	1	BREAKER 50A CYCLING CIRCUIT	
27	AG517433	1	MOUNTING BRACKET CIRCUIT BRKR	
28	AG520092	1	JUNCTION BLOCK-STUD TYPE,BLK	
29	AG520093	1	JUNCTION BLOCK-STUD TYPE,RED	
30	AG520140	1	FUSE 1A BLADE ATC	
31	AG520746	1	CONN-PLUG,6 WAY,18-14 GA	
32	AG520748	1	LOCK-PLUG,6 WAY	
33	AG521728	2	BOLT-M6-1.0X16,,SS,HHD	
34	AG521974	1	STRAIN RELIEF-.200-.394 ID	
35	AG522242	2	WASHER-LK,M6,SS	
36	AG561905	2	SCREW .25-20X 0.75 TAP ZN IWHD	
37	AG562047	2	BOLT 0.25-20NCX 0.50 S.S. HHD	
38	AG562050	2	WASHER LK 0.37 SS REG	
39	AG562061	4	NUT #10-24NC HEX SS REG	
40	AG562065	2	NUT 0.37-16NC HEX SS REG	
41	AG562066	4	WASHER #8 LK SS REG	
42	AG562067	4	SCREW 8-32X 0.75 MA SS SL RHD	
43	AG562070	4	NUT #8-32NC HEX SS REG	
44	AG562081	4	WASHER #10 LK SS REG	
45	AG562925	1	FUSE BLADE 30A ATC	
46	AG562928	1	FUSE 25A BLADE ATC	
47	AG562929	2	FUSE 20A BLADE ATC	
48	AG562930	5	FUSE 15A BLADE ATC	
49	AG562931	11	FUSE 10A BLADE ATC	
50	AG562933	5	FUSE 5A BLADE ATC	
51	AG563094	4	SCREW 10-24X0.75 PH PHS SS	
52	AG609645	1	BOOT .37 STUD 4 GA RED #704R	
53	AG607312	-	INSL SELF ADHES 0.12THKX0.50WD [BULK: 6.300 FT]	
54	AG125810	1	CABLE-JUMPER,CONV,PWR	
	FOOTNOTE [A]		RELAY IS POTTED, NOT REPLACABLE, MUST REPLACE MODULE	
	FOOTNOTE [B]		AG719617 - RELAYS (4)	
	FOOTNOTE [C]		SEE TECH BULLETN 9823	
	FOOTNOTE [C]		SEE TECH BULLETIN 9864 FOR HEAD RINSE, RELAY INFO. 75 AMP RELAY	



ITEM	PART #	QTY	DESCRIPTION	COMMENTS
1	AG026642	1	BREAKER,CIRCUIT 15AMP (D)	
2	AG029293	28	SCREW 10-24X0.50 TAP IWHHD	
3	AG121126	1	DOOR ELECTRICAL BOX	
4	AG121160	2	PANEL-POWER DIST	
5	AG121748	1	MODULE-FLASHER,DUAL RATE	[A]
6	AG121749	3	MODULE-RELAY,4 PACK,NO	[B]
7	AG121750	3	MODULE-RELAY,2 PACK	
8	AG122059	1	HANDLE,ELECTRICAL BOX	
9	AG122305	1	CABLE-RELAY,CKT BKT,HVAC	
10	AG122306	1	CABLE-PWR STUD,CKT BKR,HVAC	
11	AG124451	2	MODULE-POWER DIST,11 FUSE	SEE PAGE 9-8
12	AG124452	1	MODULE-POWER DIST,HI CURRENT	SEE PAGE 9-9
13	AG124866	1	HARNESS-FUSE BLOCK,864	
14	AG125505	1	DECAL-FUSE BLOCK	
15	AG125547	1	MODULE-STOP/TURN	
16	AG131760	2	PANEL-SIDE,ELEC CABINET	
17	AG131761	-	BOX-WLDMT,ELECTRICAL	
18	AG133274	4	SCREW-THUMB,31-18NCX.75 ZY	
19	AG515121	12	WASHER 0.25 FL SS REG	
20	AG515122	14	WASHER LK 0.25 SS REG	
21	AG515123	14	NUT 0.25-20NC HEX SS REG	
22	AG515669	6	PLUG-SEAL,SIZE 16 CONTACT	
23	AG515697	2	NUT PANEL ELEC CONNECTOR	
24	AG515698	2	WASHER LOCK ELEC CONNECTOR	
25	AG516864	1	RELAY-ELEC,12VDC,75AMP	[C]
26	AG517431	1	BREAKER 50A CYCLING CIRCUIT	
27	AG517433	1	MOUNTING BRACKET CIRCUIT BRKR	
28	AG520092	1	JUNCTION BLOCK-STUD TYPE,BLK	
29	AG520093	1	JUNCTION BLOCK-STUD TYPE,RED	
30	AG520140	1	FUSE 1A BLADE ATC	
31	AG520746	1	CONN-PLUG,6 WAY,18-14 GA	
32	AG520748	1	LOCK-PLUG,6 WAY	
33	AG521728	2	BOLT-M6-1.0X16,,SS,HHD	
34	AG521974	1	STRAIN RELIEF-.200-.394 ID	
35	AG522242	2	WASHER-LK,M6,SS	
36	AG561905	2	SCREW .25-20X 0.75 TAP ZN IWHD	
37	AG562047	2	BOLT 0.25-20NCX 0.50 S.S. HHD	
38	AG562050	2	WASHER LK 0.37 SS REG	
39	AG562061	4	NUT #10-24NC HEX SS REG	
40	AG562065	2	NUT 0.37-16NC HEX SS REG	
41	AG562066	4	WASHER #8 LK SS REG	
42	AG562067	4	SCREW 8-32X 0.75 MA SS SL RHD	
43	AG562070	4	NUT #8-32NC HEX SS REG	
44	AG562081	4	WASHER #10 LK SS REG	
45	AG562925	1	FUSE BLADE 30A ATC	
46	AG562928	1	FUSE 25A BLADE ATC	
47	AG562929	2	FUSE 20A BLADE ATC	
48	AG562930	5	FUSE 15A BLADE ATC	
49	AG562931	11	FUSE 10A BLADE ATC	
50	AG562933	5	FUSE 5A BLADE ATC	
51	AG563094	4	SCREW 10-24X0.75 PH PHS SS	
52	AG609645	1	BOOT .37 STUD 4 GA RED #704R	
53	AG607312	-	INSL SELF ADHES 0.12THKX0.50WD [BULK: 6.300 FT]	
54	AG125810	1	CABLE-JUMPER,CONV,PWR	
	FOOTNOTE [A]		RELAY IS POTTED, NOT REPLACABLE, MUST REPLACE MODULE	
	FOOTNOTE [B]		AG719617 - RELAYS (4)	
	FOOTNOTE [C]		SEE TECH BULLETN 9823	
	FOOTNOTE [C]		SEE TECH BULLETIN 9864 FOR HEAD RINSE, RELAY INFO. 75 AMP RELAY	

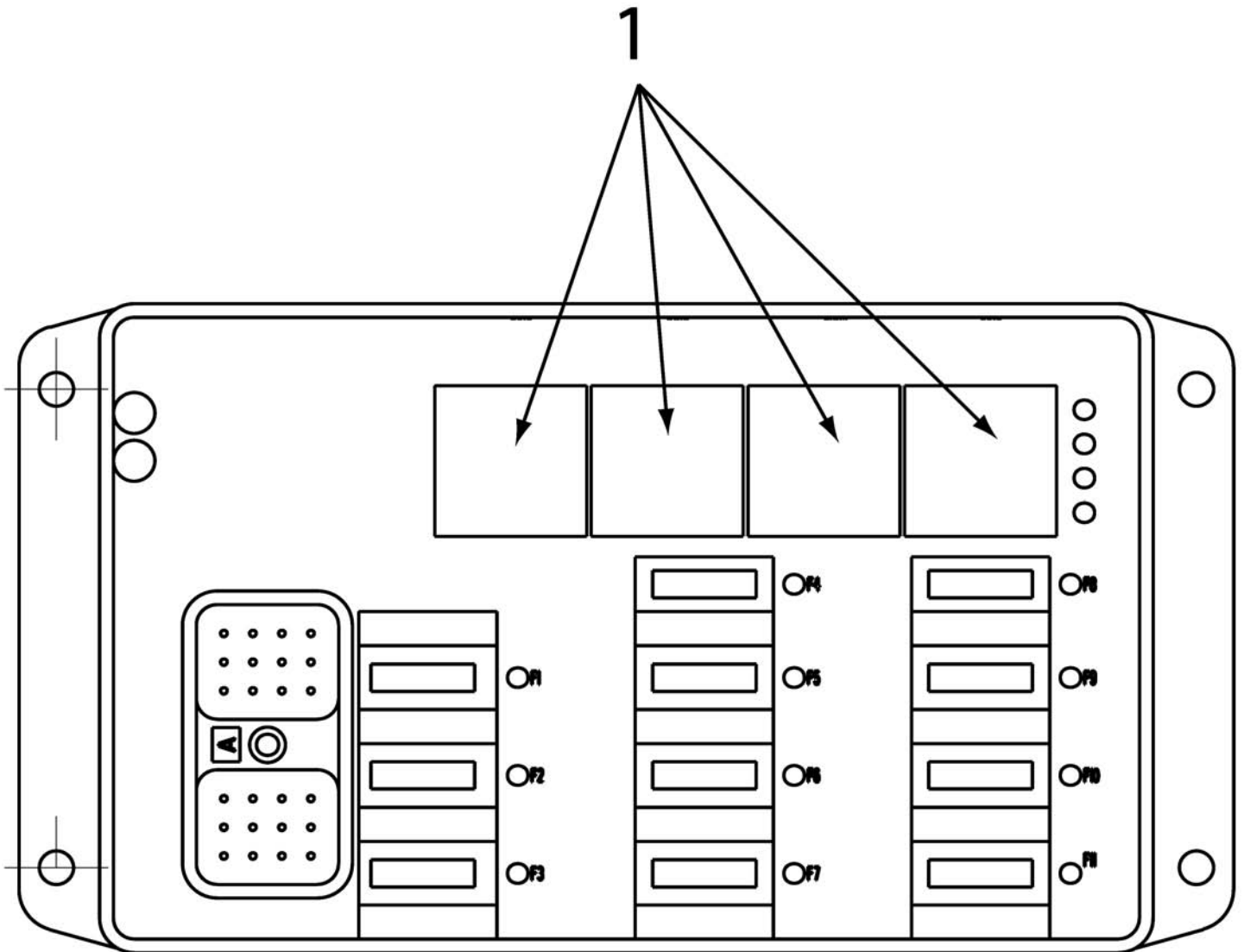
PDM1 FUSE CHART		
FUSE #	FUSE SIZE IN AMPS	ITEM #
F1	15	48
F2	15	48
F3	15	48
F4	15	48
F5	10	49
F6	10	49
F7	5	50
F8	10	49
F9	10	49
F10	1	29
F11	1	29

PDM2 FUSE CHART		
FUSE #	FUSE SIZE IN AMPS	ITEM #
F1	10	49
F2	10	49
F3	10	49
F4	5	50
F5	5	50
F6	10	49
F7	10	49
F8	15	48
F9	10	49
F10	10	49
F11	5	50

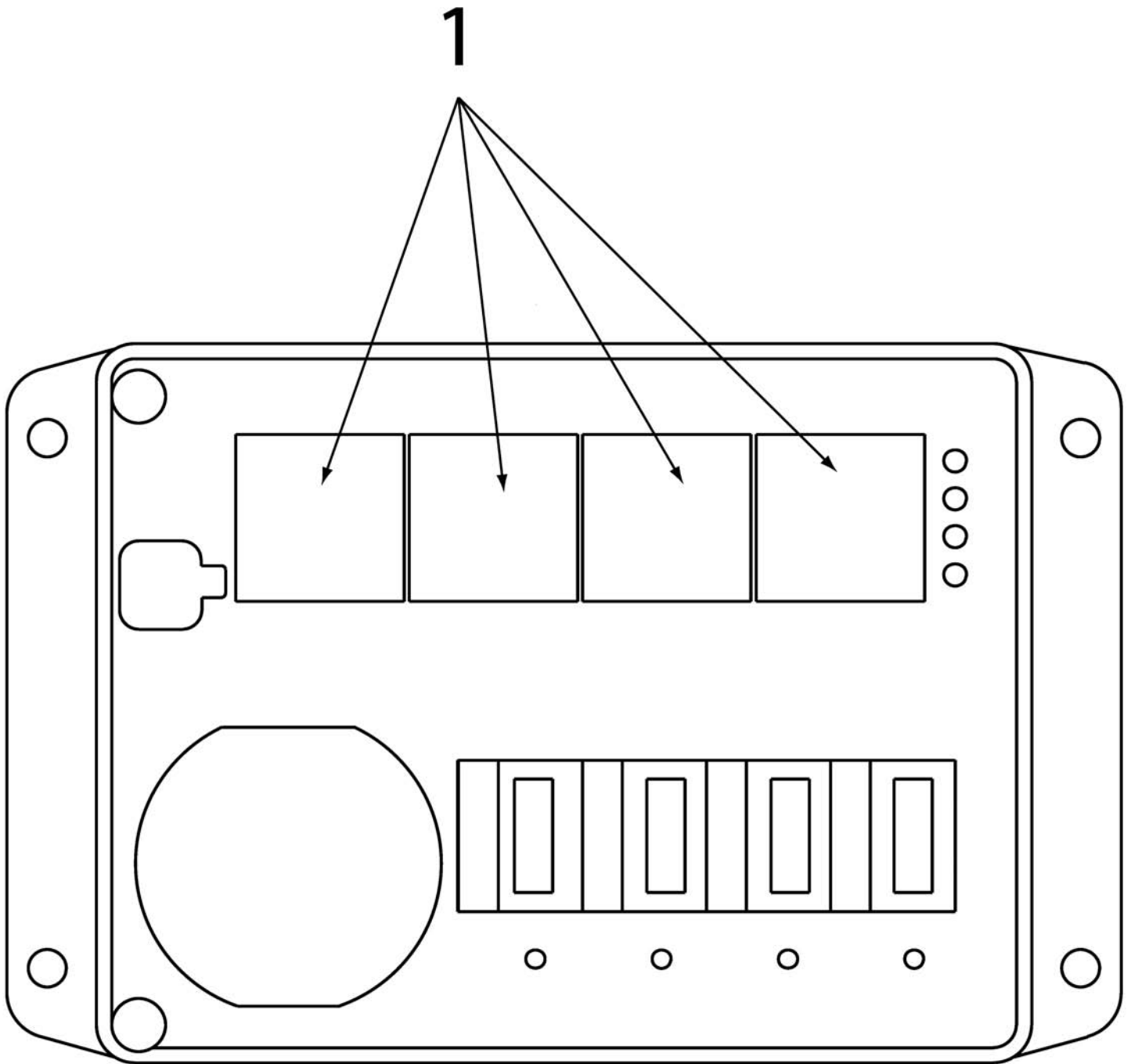
PDM3 FUSE CHART		
FUSE #	FUSE SIZE IN AMPS	ITEM #
F1	25	46
F2	20	47
F3	30	45
F4	20	47

CURCUIT BREAKER CHART		
CB #	CB SIZE IN AMPS	ITEM #
CB-1	50	25
CB-2	15	1

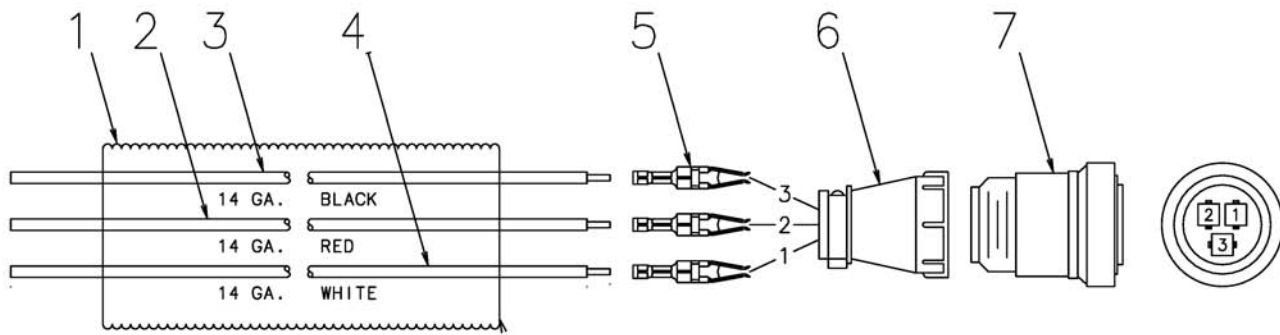
ITEM	PART #	QTY	DESCRIPTION	COMMENTS
1	AG026642	1	BREAKER,CIRCUIT 15AMP (D)	
2	AG029293	28	SCREW 10-24X0.50 TAP IWHTD	
3	AG121126	1	DOOR ELECTRICAL BOX	
4	AG121160	2	PANEL-POWER DIST	
5	AG121748	1	MODULE-FLASHER,DUAL RATE	[A]
6	AG121749	3	MODULE-RELAY,4 PACK,NO	[B]
7	AG121750	3	MODULE-RELAY,2 PACK	
8	AG122059	1	HANDLE,ELECTRICAL BOX	
9	AG122305	1	CABLE-RELAY,CKT BKT,HVAC	
10	AG122306	1	CABLE-PWR STUD,CKT BKR,HVAC	
11	AG124451	2	MODULE-POWER DIST,11 FUSE	SEE PAGE 9-8
12	AG124452	1	MODULE-POWER DIST,HI CURRENT	SEE PAGE 9-9
13	AG124866	1	HARNESS-FUSE BLOCK,864	
14	AG125505	1	DECAL-FUSE BLOCK	
15	AG125547	1	MODULE-STOP/TURN	
16	AG131760	2	PANEL-SIDE,ELEC CABINET	
17	AG131761	-	BOX-WLDMT,ELECTRICAL	
18	AG133274	4	SCREW-THUMB,.31-18NCX.75 ZY	
19	AG515121	12	WASHER 0.25 FL SS REG	
20	AG515122	14	WASHER LK 0.25 SS REG	
21	AG515123	14	NUT 0.25-20NC HEX SS REG	
22	AG515669	6	PLUG-SEAL,SIZE 16 CONTACT	
23	AG515697	2	NUT PANEL ELEC CONNECTOR	
24	AG515698	2	WASHER LOCK ELEC CONNECTOR	
25	AG516864	1	RELAY-ELEC,12VDC,75AMP	[C]
26	AG517431	1	BREAKER 50A CYCLING CIRCUIT	
27	AG517433	1	MOUNTING BRACKET CIRCUIT BRKR	
28	AG520092	1	JUNCTION BLOCK-STUD TYPE,BLK	
29	AG520093	1	JUNCTION BLOCK-STUD TYPE,RED	
30	AG520140	1	FUSE 1A BLADE ATC	
31	AG520746	1	CONN-PLUG,6 WAY,18-14 GA	
32	AG520748	1	LOCK-PLUG,6 WAY	
33	AG521728	2	BOLT-M6-1.0X16,,SS,HHD	
34	AG521974	1	STRAIN RELIEF-.200-.394 ID	
35	AG522242	2	WASHER-LK,M6,SS	
36	AG561905	2	SCREW .25-20X 0.75 TAP ZN IWHTD	
37	AG562047	2	BOLT 0.25-20NCX 0.50 S.S. HHD	
38	AG562050	2	WASHER LK 0.37 SS REG	
39	AG562061	4	NUT #10-24NC HEX SS REG	
40	AG562065	2	NUT 0.37-16NC HEX SS REG	
41	AG562066	4	WASHER #8 LK SS REG	
42	AG562067	4	SCREW 8-32X 0.75 MA SS SL RHD	
43	AG562070	4	NUT #8-32NC HEX SS REG	
44	AG562081	4	WASHER #10 LK SS REG	
45	AG562925	1	FUSE BLADE 30A ATC	
46	AG562928	1	FUSE 25A BLADE ATC	
47	AG562929	2	FUSE 20A BLADE ATC	
48	AG562930	5	FUSE 15A BLADE ATC	
49	AG562931	11	FUSE 10A BLADE ATC	
50	AG562933	5	FUSE 5A BLADE ATC	
51	AG563094	4	SCREW 10-24X0.75 PH PHS SS	
52	AG609645	1	BOOT .37 STUD 4 GA RED #704R	
53	AG607312	-	INSL SELF ADHES 0.12THKX0.50WD [BULK: 6.300 FT]	
54	AG125810	1	CABLE-JUMPER,CONV,PWR	
	FOOTNOTE [A]		RELAY IS POTTED, NOT REPLACABLE, MUST REPLACE MODULE	
	FOOTNOTE [B]		AG719617 - RELAYS (4)	
	FOOTNOTE [C]		SEE TECH BULLETN 9823	
	FOOTNOTE [C]		SEE TECH BULLETIN 9864 FOR HEAD RINSE, RELAY INFO. 75 AMP RELAY	



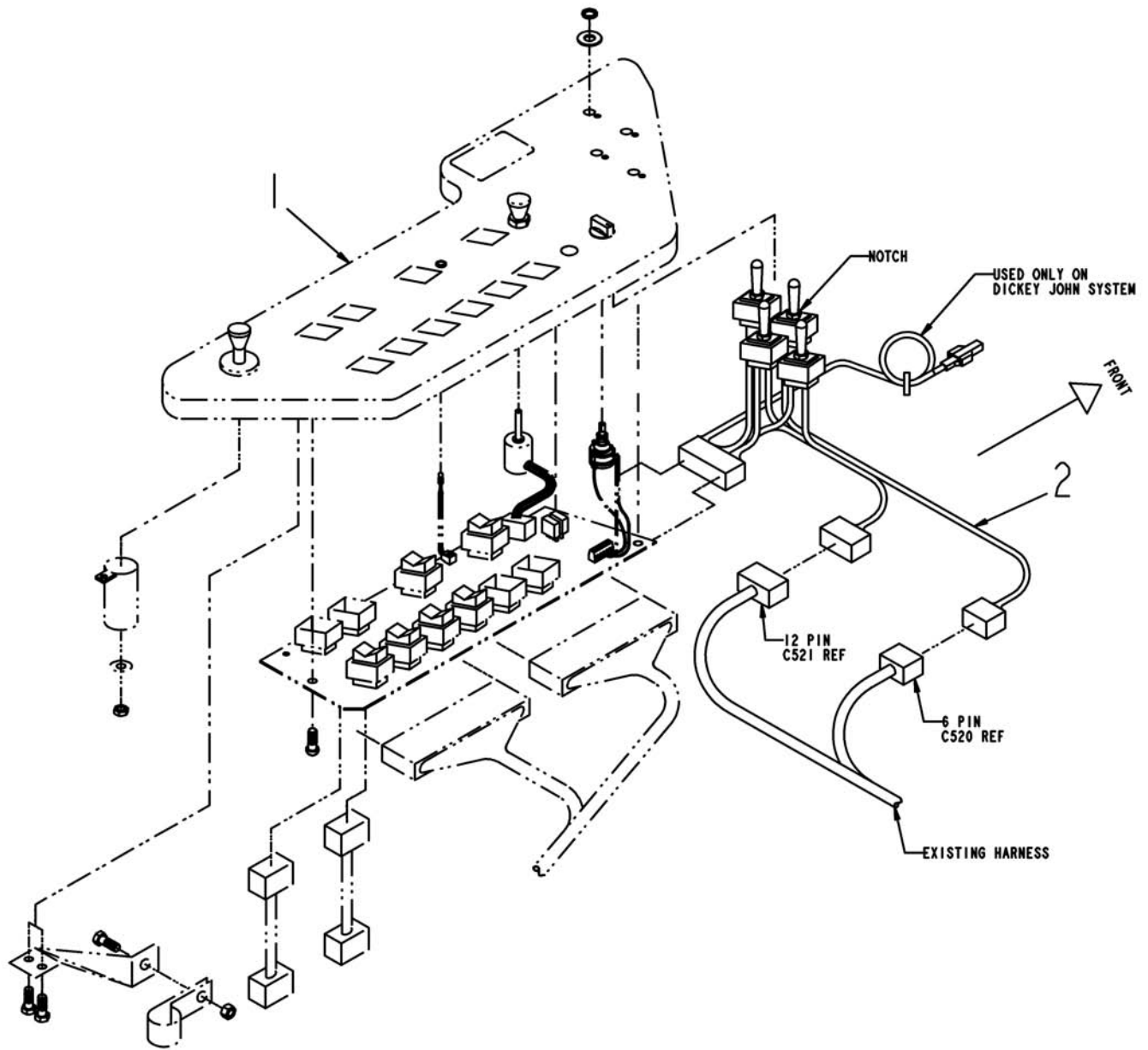
ITEM	PART #	QTY	DESCRIPTION	COMMENTS
1	AG719617	4	RELAR 40/30A	



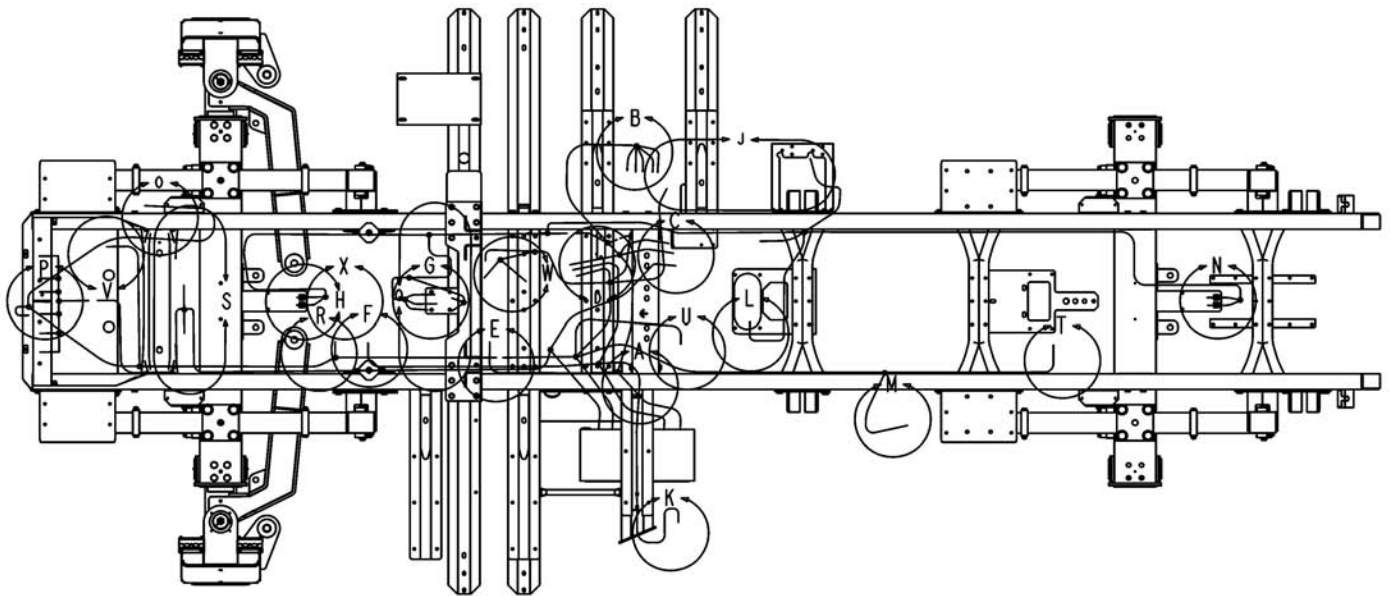
ITEM	PART #	QTY	DESCRIPTION	COMMENTS
1	AG719617	4	RELAR 40/30A	



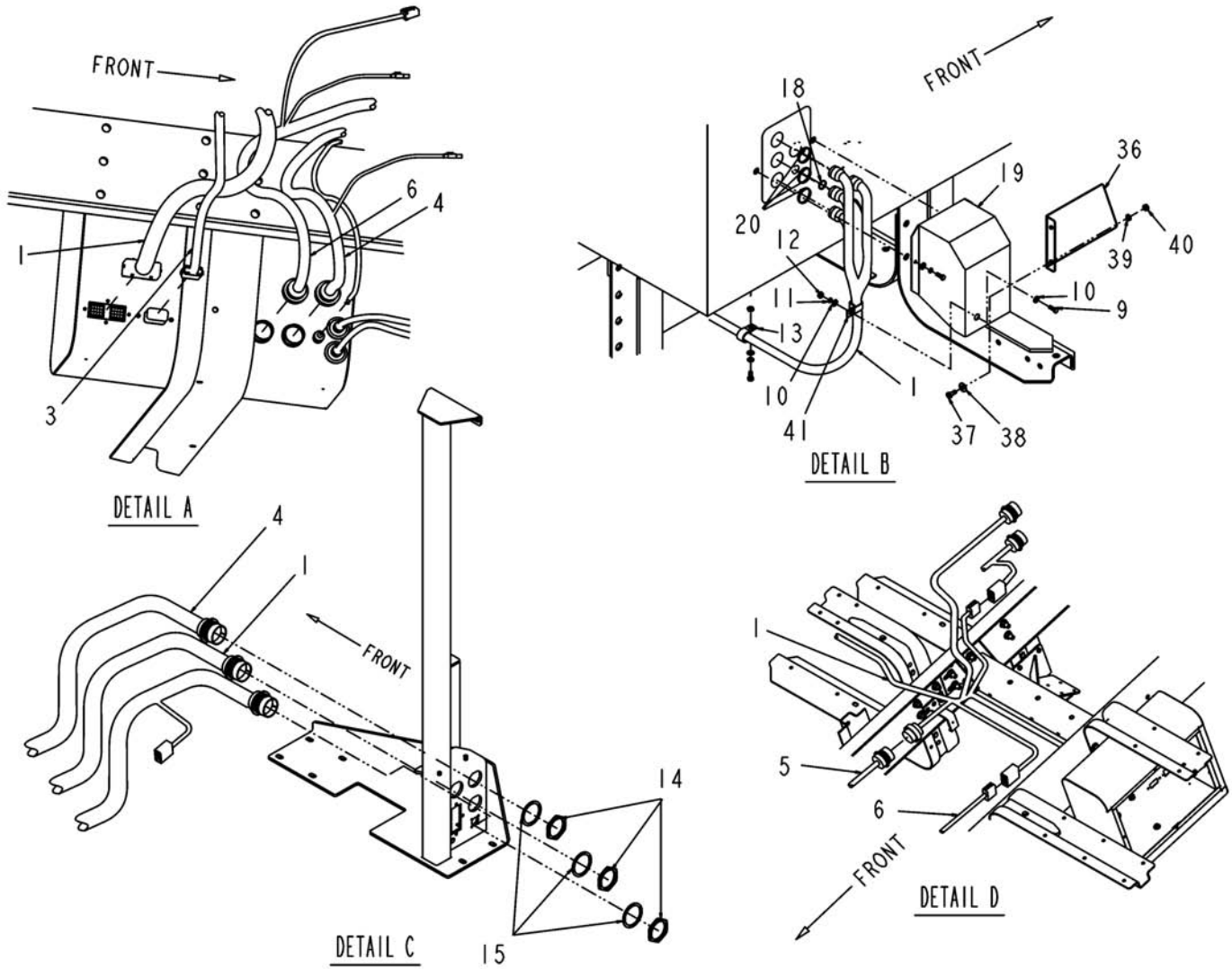
ITEM	PART #	QTY	DESCRIPTION	COMMENTS
1	AG512273	-	FLEX GUARD .350LCP [BULK: 2.833 FT]	
2	AG561897	-	WIRE 14 GA GXL BULK RED [BULK: 3.000 FT]	
3	AG561896	-	WIRE 14 GA GXL BULK BLACK [BULK: 3.000 FT]	
4	AG562323	-	WIRE 14 GA GXL BULK WHITE [BULK: 3.000 FT]	
5	AG517362	3	CONTACT TYPE XII FEMALE	
6	AG517369	1	CABLE CLAMP SZ 17 SMALL SHELL	
7	AG519129	1	CONNECTOR STD SEX PLUG 17-3	



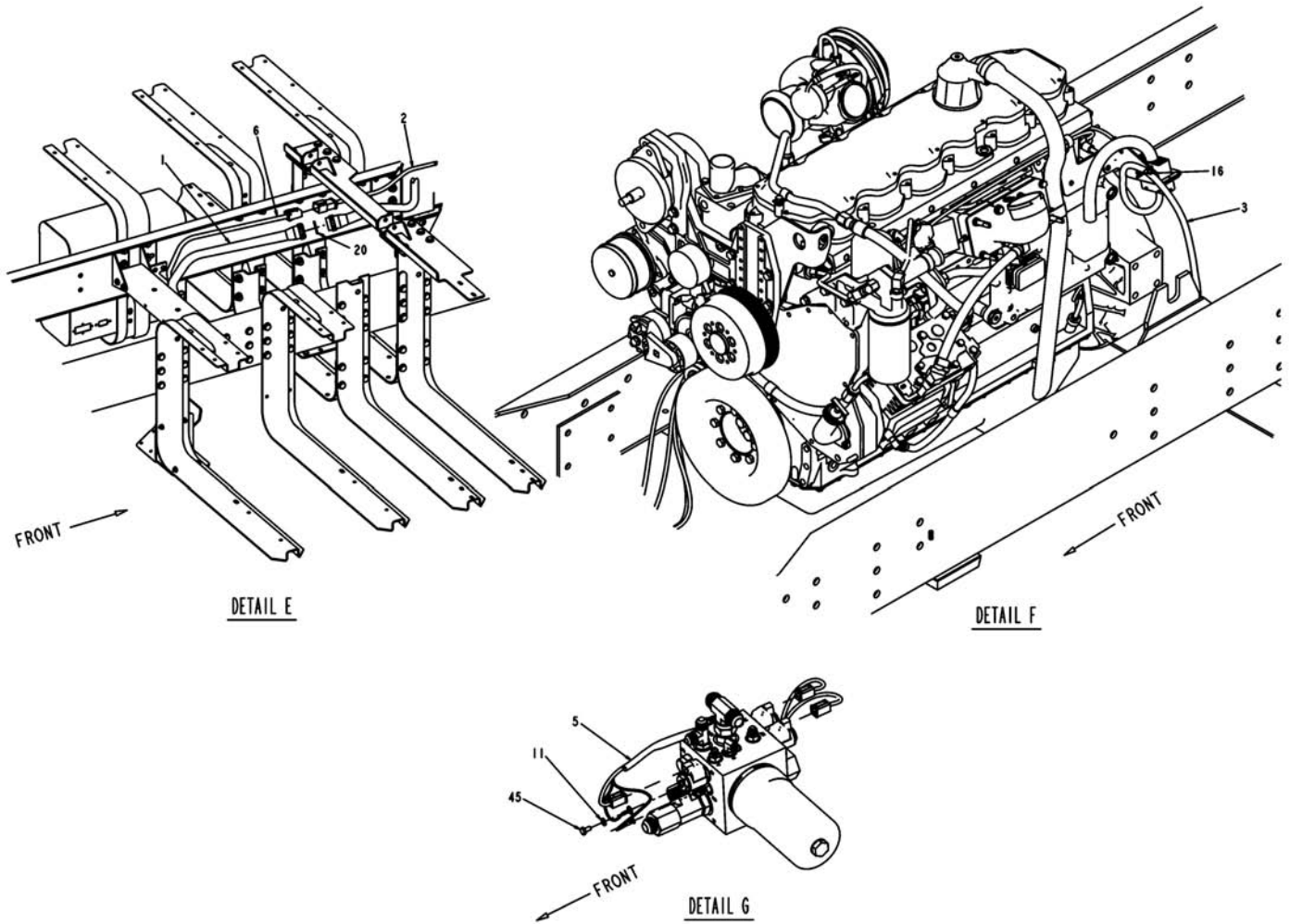
ITEM	PART #	QTY	DESCRIPTION	COMMENTS
1	AG136196	-	ELECT INSTL-ARMREST,8/10X4	SEE PAGE 7-53
2	506636D1	1	HARNES-TRACK ADJUST	



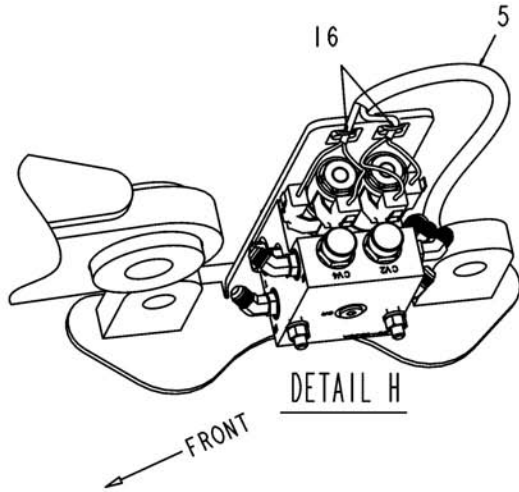
ITEM	PART #	QTY	DESCRIPTION	COMMENTS
1	AG121714	1	HARNESS-ADAPTER,864	
2	AG121715	1	HARNESS-ENGINE ELECTRICAL	
3	AG132560	1	HARN-ENG ELECTRONICS,CHASSIS	
4	AG124863	1	HARNESS-LIGHTING,CHASSIS,864	
5	AG124867	1	HARNESS-DRIVE CONTROL,CHASSIS	
6	AG124868	1	HARNESS-CHASSIS,864	
7	AG122019	1	HARNESS-ROAD LIGHTS,864	
8	AG550485	2	BOLT.25-20NCX.75 G5 ZN HHD	
9	AG562054	3	BOLT 0.25-20NCX 0.75 S.S. HHD	
10	AG515121	4	WASHER 0.25 FL SS REG	
11	AG515122	4	WASHER LK 0.25 SS REG	
12	AG515123	2	NUT 0.25-20NC HEX SS REG	
13	AG561895	1	CLAMP 1.50 HOSE COATED	
14	AG515697	3	NUT PANEL ELEC CONNECTOR	
15	AG515698	3	WASHER LOCK ELEC CONNECTOR	
16	AG553557	AR	TIE CABLE 7.37 .06-1.37 BLACK	
17	AG518989	AR	SEALANT NONCORROSIVE 10.3 OZ	
18	AG517743	1	SEAL PERIPHERAL 17 SHELL	
19	AG309580	1	CONNECTIONS COVER WELDMENT	
20	AG517742	4	SEAL PERIPHERAL 23 SHELL	
21	AG128078	-	FLOWCHART-OPT,81X4,05	
22	AG121751	1	MODULE-REMOTE THROTTLE	[A]
23	AG122239	1	BRACKET-REMOT THROTTLE MODULE	
24	AG562067	2	SCREW 8-32X 0.75 MA SS SL RHD	
25	AG027275	2	NUT,NY-LOCK 1/4-20 SS HX (P)	
26	AG563176	2	NUT-8-32,SS,NYLOCK,HEX	
27	AG604167	1	BOLT 0.37-16NCX 1.25 S.S. HHD	
28	AG562065	1	NUT 0.37-16NC HEX SS REG	
29	AG562050	1	WASHER LK 0.37 SS REG	
30	AG562072	1	WASHER 0.37 FL SS SAE	
31	AG562237	4	CLAMP CTD 0.75IDX0.75WIDE	
32	AG562327	2	BOLT M6-1.00X20MM G8.8 ZN HHD	
33	AG424327	-	HARNESS-BOOM REST	
34	AG420121	1	HARNESS-GAUGE,LAMPS	
35	AG123597	1	HARNESS-LIGHT,WAIT TO START	
36	AG123794	1	GUARD,HEATER HOSE	
37	AG562049	2	BOLT 0.31-18NCX 0.75 S.S. HHD	
38	AG551015	2	WASHER 0.31 FL ZN REG TYPE-B	
39	AG550205	2	WASHER LK 0.31 ZN REG	
40	AG562090	2	NUT 0.31-18NC HEX SS REG	
41	AG561793	1	HOSE CLAMP RUBBER COATED	
42	AG550507	2	WASHER FL 0.25 ZN REG TYPE-B	
43	AG550493	2	WASHER LK 0.25 ZN REG	
44	AG563185	1	WASHER-LOCK,#10,EXT,ZN	
454	AG562047	1	BOLT 0.25-20NCX 0.50 S.S. HHD	
	FOOTNOTE [A]		MODULE HAS NO SERVICE PARTS	



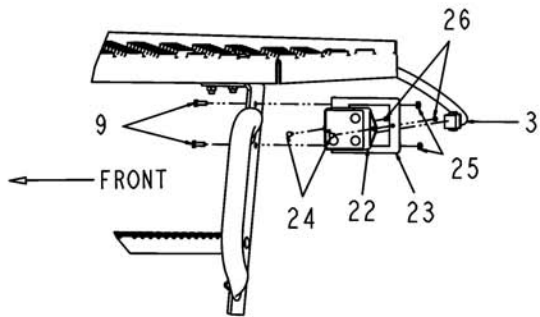
ITEM	PART #	QTY	DESCRIPTION	COMMENTS
1	AG121714	1	HARNESS-ADAPTER,864	
2	AG121715	1	HARNESS-ENGINE ELECTRICAL	
3	AG132560	1	HARN-ENG ELECTRONICS,CHASSIS	
4	AG124863	1	HARNESS-LIGHTING,CHASSIS,864	
5	AG124867	1	HARNESS-DRIVE CONTROL,CHASSIS	
6	AG124868	1	HARNESS-CHASSIS,864	
7	AG122019	1	HARNESS-ROAD LIGHTS,864	
8	AG550485	2	BOLT.25-20NCX.75 G5 ZN HHD	
9	AG562054	3	BOLT 0.25-20NCX 0.75 S.S. HHD	
10	AG515121	4	WASHER 0.25 FL SS REG	
11	AG515122	4	WASHER LK 0.25 SS REG	
12	AG515123	2	NUT 0.25-20NC HEX SS REG	
13	AG561895	1	CLAMP 1.50 HOSE COATED	
14	AG515697	3	NUT PANEL ELEC CONNECTOR	
15	AG515698	3	WASHER LOCK ELEC CONNECTOR	
16	AG553557	AR	TIE CABLE 7.37 .06-1.37 BLACK	
17	AG518989	AR	SEALANT NONCORROSIVE 10.3 OZ	
18	AG517743	1	SEAL PERIPHERAL 17 SHELL	
19	AG309580	1	CONNECTIONS COVER WELDMENT	
20	AG517742	4	SEAL PERIPHERAL 23 SHELL	
21	AG128078	-	FLOWCHART-OPT,81X4,05	
22	AG121751	1	MODULE-REMOTE THROTTLE	[A]
23	AG122239	1	BRACKET-REMOT THROTTLE MODULE	
24	AG562067	2	SCREW 8-32X 0.75 MA SS SL RHD	
25	AG027275	2	NUT,NY-LOCK 1/4-20 SS HX (P)	
26	AG563176	2	NUT-8-32,SS,NYLOCK,HEX	
27	AG604167	1	BOLT 0.37-16NCX 1.25 S.S. HHD	
28	AG562065	1	NUT 0.37-16NC HEX SS REG	
29	AG562050	1	WASHER LK 0.37 SS REG	
30	AG562072	1	WASHER 0.37 FL SS SAE	
31	AG562237	4	CLAMP CTD 0.75IDX0.75WIDE	
32	AG562327	2	BOLT M6-1.00X20MM G8.8 ZN HHD	
33	AG424327	-	HARNESS-BOOM REST	
34	AG420121	1	HARNESS-GAUGE,LAMPS	
35	AG123597	1	HARNESS-LIGHT,WAIT TO START	
36	AG123794	1	GUARD,HEATER HOSE	
37	AG562049	2	BOLT 0.31-18NCX 0.75 S.S. HHD	
38	AG551015	2	WASHER 0.31 FL ZN REG TYPE-B	
39	AG550205	2	WASHER LK 0.31 ZN REG	
40	AG562090	2	NUT 0.31-18NC HEX SS REG	
41	AG561793	1	HOSE CLAMP RUBBER COATED	
42	AG550507	2	WASHER FL 0.25 ZN REG TYPE-B	
43	AG550493	2	WASHER LK 0.25 ZN REG	
44	AG563185	1	WASHER-LOCK,#10,EXT,ZN	
454	AG562047	1	BOLT 0.25-20NCX 0.50 S.S. HHD	
	FOOTNOTE [A]		MODULE HAS NO SERVICE PARTS	



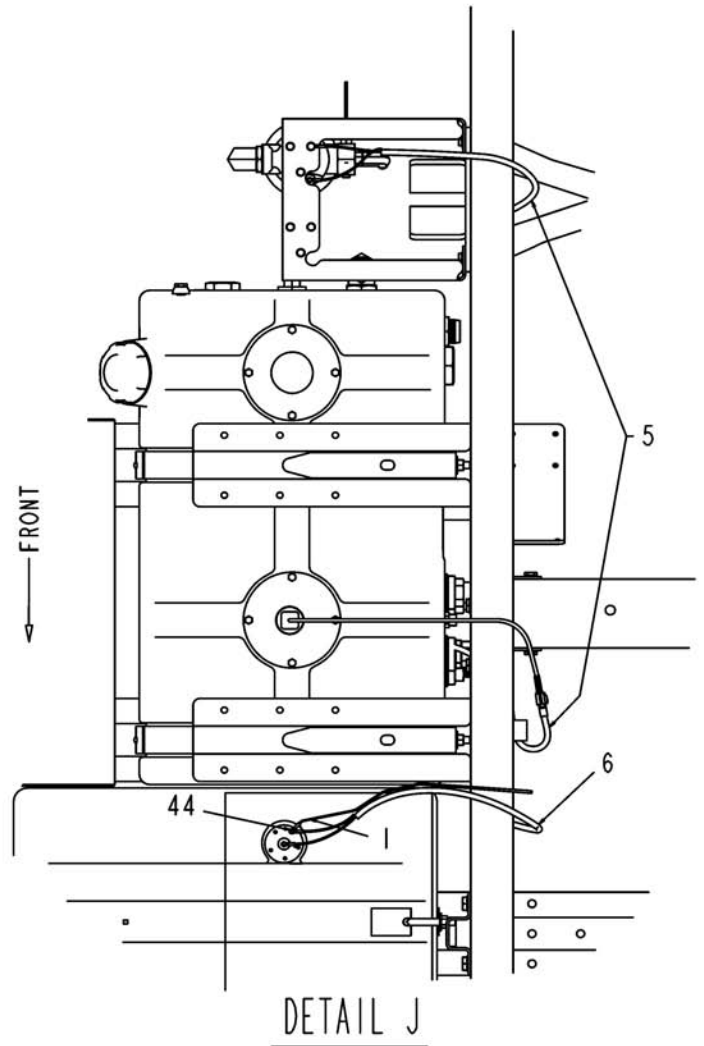
ITEM	PART #	QTY	DESCRIPTION	COMMENTS
1	AG121714	1	HARNESS-ADAPTER,864	
2	AG121715	1	HARNESS-ENGINE ELECTRICAL	
3	AG132560	1	HARN-ENG ELECTRONICS,CHASSIS	
4	AG124863	1	HARNESS-LIGHTING,CHASSIS,864	
5	AG124867	1	HARNESS-DRIVE CONTROL,CHASSIS	
6	AG124868	1	HARNESS-CHASSIS,864	
7	AG122019	1	HARNESS-ROAD LIGHTS,864	
8	AG550485	2	BOLT.25-20NCX.75 G5 ZN HHD	
9	AG562054	3	BOLT 0.25-20NCX 0.75 S.S. HHD	
10	AG515121	4	WASHER 0.25 FL SS REG	
11	AG515122	4	WASHER LK 0.25 SS REG	
12	AG515123	2	NUT 0.25-20NC HEX SS REG	
13	AG561895	1	CLAMP 1.50 HOSE COATED	
14	AG515697	3	NUT PANEL ELEC CONNECTOR	
15	AG515698	3	WASHER LOCK ELEC CONNECTOR	
16	AG553557	AR	TIE CABLE 7.37 .06-1.37 BLACK	
17	AG518989	AR	SEALANT NONCORROSIVE 10.3 OZ	
18	AG517743	1	SEAL PERIPHERAL 17 SHELL	
19	AG309580	1	CONNECTIONS COVER WELDMENT	
20	AG517742	4	SEAL PERIPHERAL 23 SHELL	
21	AG128078	-	FLOWCHART-OPT,81X4,05	
22	AG121751	1	MODULE-REMOTE THROTTLE	[A]
23	AG122239	1	BRACKET-REMOT THROTTLE MODULE	
24	AG562067	2	SCREW 8-32X 0.75 MA SS SL RHD	
25	AG027275	2	NUT,NY-LOCK 1/4-20 SS HX (P)	
26	AG563176	2	NUT-8-32,SS,NYLOCK,HEX	
27	AG604167	1	BOLT 0.37-16NCX 1.25 S.S. HHD	
28	AG562065	1	NUT 0.37-16NC HEX SS REG	
29	AG562050	1	WASHER LK 0.37 SS REG	
30	AG562072	1	WASHER 0.37 FL SS SAE	
31	AG562237	4	CLAMP CTD 0.75IDX0.75WIDE	
32	AG562327	2	BOLT M6-1.00X20MM G8.8 ZN HHD	
33	AG424327	-	HARNESS-BOOM REST	
34	AG420121	1	HARNESS-GAUGE,LAMPS	
35	AG123597	1	HARNESS-LIGHT,WAIT TO START	
36	AG123794	1	GUARD,HEATER HOSE	
37	AG562049	2	BOLT 0.31-18NCX 0.75 S.S. HHD	
38	AG551015	2	WASHER 0.31 FL ZN REG TYPE-B	
39	AG550205	2	WASHER LK 0.31 ZN REG	
40	AG562090	2	NUT 0.31-18NC HEX SS REG	
41	AG561793	1	HOSE CLAMP RUBBER COATED	
42	AG550507	2	WASHER FL 0.25 ZN REG TYPE-B	
43	AG550493	2	WASHER LK 0.25 ZN REG	
44	AG563185	1	WASHER-LOCK,#10,EXT,ZN	
454	AG562047	1	BOLT 0.25-20NCX 0.50 S.S. HHD	
	FOOTNOTE [A]		MODULE HAS NO SERVICE PARTS	



DETAIL H

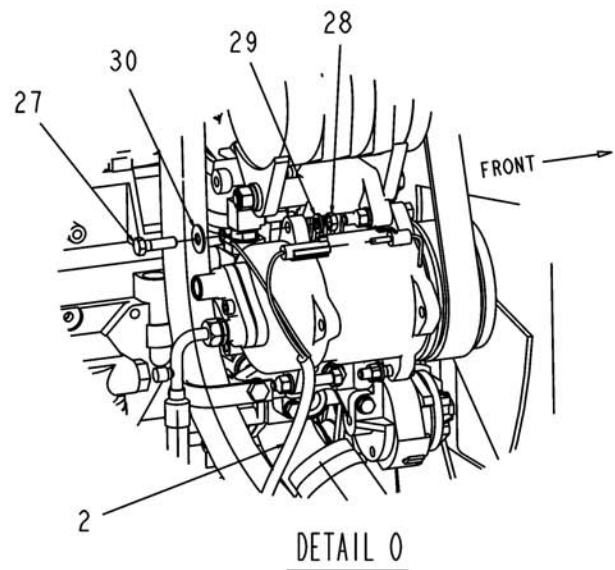
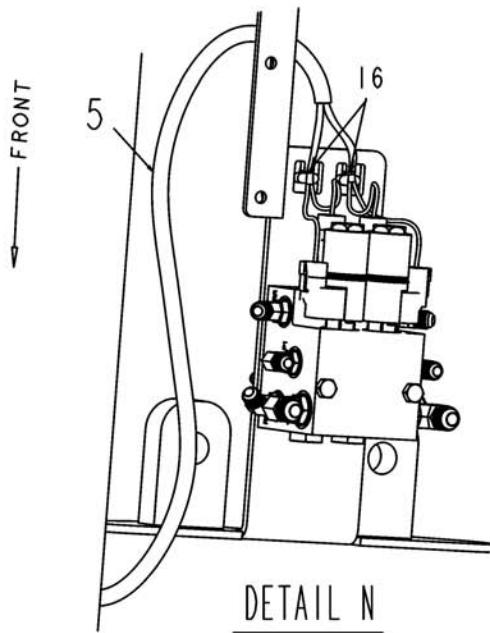
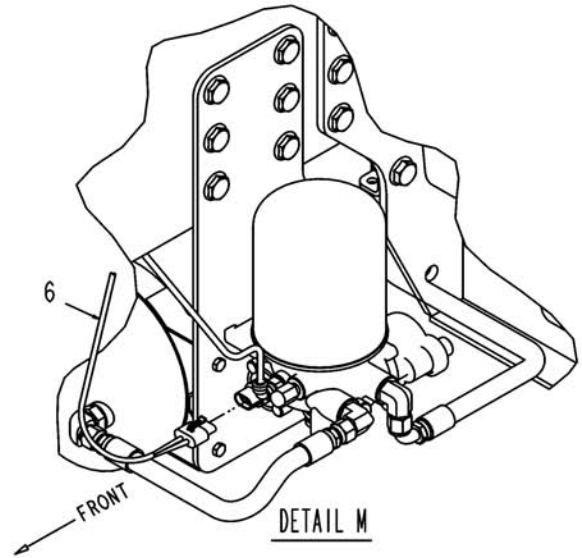
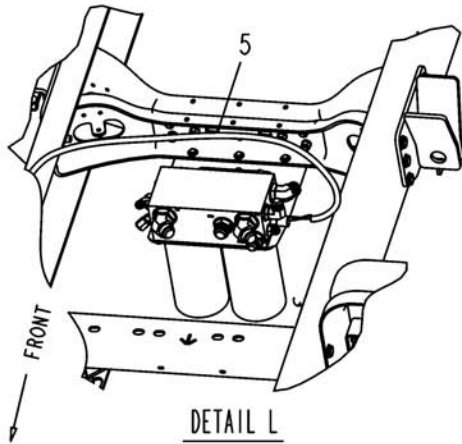


DETAIL K

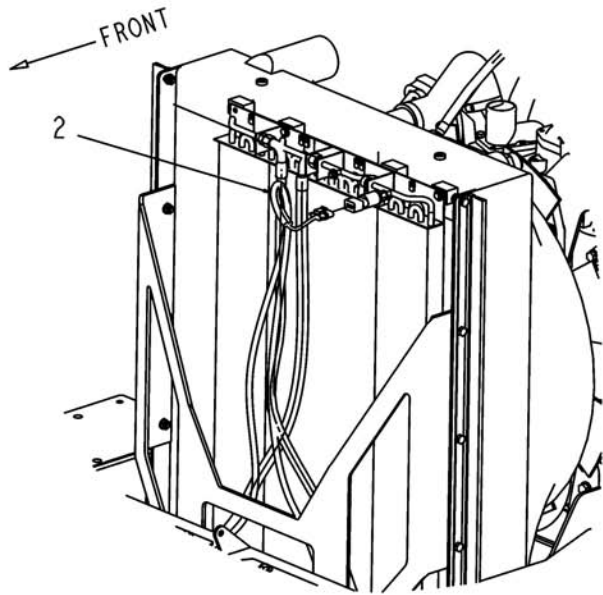


DETAIL J

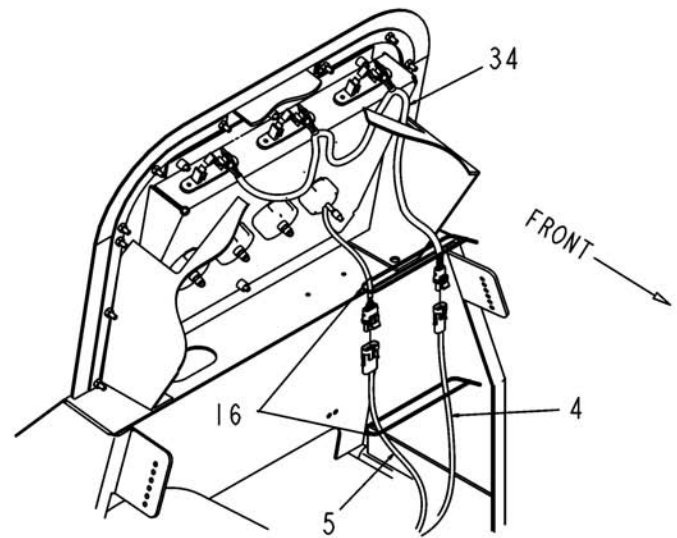
ITEM	PART #	QTY	DESCRIPTION	COMMENTS
1	AG121714	1	HARNESS-ADAPTER,864	
2	AG121715	1	HARNESS-ENGINE ELECTRICAL	
3	AG132560	1	HARN-ENG ELECTRONICS,CHASSIS	
4	AG124863	1	HARNESS-LIGHTING,CHASSIS,864	
5	AG124867	1	HARNESS-DRIVE CONTROL,CHASSIS	
6	AG124868	1	HARNESS-CHASSIS,864	
7	AG122019	1	HARNESS-ROAD LIGHTS,864	
8	AG550485	2	BOLT.25-20NCX.75 G5 ZN HHD	
9	AG562054	3	BOLT 0.25-20NCX 0.75 S.S. HHD	
10	AG515121	4	WASHER 0.25 FL SS REG	
11	AG515122	4	WASHER LK 0.25 SS REG	
12	AG515123	2	NUT 0.25-20NC HEX SS REG	
13	AG561895	1	CLAMP 1.50 HOSE COATED	
14	AG515697	3	NUT PANEL ELEC CONNECTOR	
15	AG515698	3	WASHER LOCK ELEC CONNECTOR	
16	AG553557	AR	TIE CABLE 7.37 .06-1.37 BLACK	
17	AG518989	AR	SEALANT NONCORROSIVE 10.3 OZ	
18	AG517743	1	SEAL PERIPHERAL 17 SHELL	
19	AG309580	1	CONNECTIONS COVER WELDMENT	
20	AG517742	4	SEAL PERIPHERAL 23 SHELL	
21	AG128078	-	FLOWCHART-OPT,81X4,05	
22	AG121751	1	MODULE-REMOTE THROTTLE	[A]
23	AG122239	1	BRACKET-REMOT THROTTLE MODULE	
24	AG562067	2	SCREW 8-32X 0.75 MA SS SL RHD	
25	AG027275	2	NUT,NY-LOCK 1/4-20 SS HX (P)	
26	AG563176	2	NUT-8-32,SS,NYLOCK,HEX	
27	AG604167	1	BOLT 0.37-16NCX 1.25 S.S. HHD	
28	AG562065	1	NUT 0.37-16NC HEX SS REG	
29	AG562050	1	WASHER LK 0.37 SS REG	
30	AG562072	1	WASHER 0.37 FL SS SAE	
31	AG562237	4	CLAMP CTD 0.75IDX0.75WIDE	
32	AG562327	2	BOLT M6-1.00X20MM G8.8 ZN HHD	
33	AG424327	-	HARNESS-BOOM REST	
34	AG420121	1	HARNESS-GAUGE,LAMPS	
35	AG123597	1	HARNESS-LIGHT,WAIT TO START	
36	AG123794	1	GUARD,HEATER HOSE	
37	AG562049	2	BOLT 0.31-18NCX 0.75 S.S. HHD	
38	AG551015	2	WASHER 0.31 FL ZN REG TYPE-B	
39	AG550205	2	WASHER LK 0.31 ZN REG	
40	AG562090	2	NUT 0.31-18NC HEX SS REG	
41	AG561793	1	HOSE CLAMP RUBBER COATED	
42	AG550507	2	WASHER FL 0.25 ZN REG TYPE-B	
43	AG550493	2	WASHER LK 0.25 ZN REG	
44	AG563185	1	WASHER-LOCK,#10,EXT,ZN	
454	AG562047	1	BOLT 0.25-20NCX 0.50 S.S. HHD	
	FOOTNOTE [A]		MODULE HAS NO SERVICE PARTS	



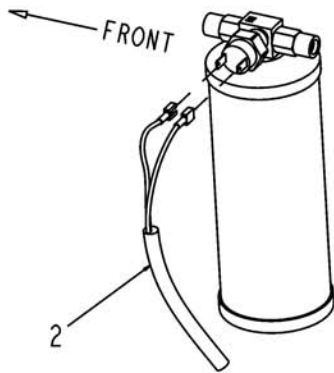
ITEM	PART #	QTY	DESCRIPTION	COMMENTS
1	AG121714	1	HARNESS-ADAPTER,864	
2	AG121715	1	HARNESS-ENGINE ELECTRICAL	
3	AG132560	1	HARN-ENG ELECTRONICS,CHASSIS	
4	AG124863	1	HARNESS-LIGHTING,CHASSIS,864	
5	AG124867	1	HARNESS-DRIVE CONTROL,CHASSIS	
6	AG124868	1	HARNESS-CHASSIS,864	
7	AG122019	1	HARNESS-ROAD LIGHTS,864	
8	AG550485	2	BOLT.25-20NCX.75 G5 ZN HHD	
9	AG562054	3	BOLT 0.25-20NCX 0.75 S.S. HHD	
10	AG515121	4	WASHER 0.25 FL SS REG	
11	AG515122	4	WASHER LK 0.25 SS REG	
12	AG515123	2	NUT 0.25-20NC HEX SS REG	
13	AG561895	1	CLAMP 1.50 HOSE COATED	
14	AG515697	3	NUT PANEL ELEC CONNECTOR	
15	AG515698	3	WASHER LOCK ELEC CONNECTOR	
16	AG553557	AR	TIE CABLE 7.37 .06-1.37 BLACK	
17	AG518989	AR	SEALANT NONCORROSIVE 10.3 OZ	
18	AG517743	1	SEAL PERIPHERAL 17 SHELL	
19	AG309580	1	CONNECTIONS COVER WELDMENT	
20	AG517742	4	SEAL PERIPHERAL 23 SHELL	
21	AG128078	-	FLOWCHART-OPT,81X4,05	
22	AG121751	1	MODULE-REMOTE THROTTLE	[A]
23	AG122239	1	BRACKET-REMOT THROTTLE MODULE	
24	AG562067	2	SCREW 8-32X 0.75 MA SS SL RHD	
25	AG027275	2	NUT,NY-LOCK 1/4-20 SS HX (P)	
26	AG563176	2	NUT-8-32,SS,NYLOCK,HEX	
27	AG604167	1	BOLT 0.37-16NCX 1.25 S.S. HHD	
28	AG562065	1	NUT 0.37-16NC HEX SS REG	
29	AG562050	1	WASHER LK 0.37 SS REG	
30	AG562072	1	WASHER 0.37 FL SS SAE	
31	AG562237	4	CLAMP CTD 0.75IDX0.75WIDE	
32	AG562327	2	BOLT M6-1.00X20MM G8.8 ZN HHD	
33	AG424327	-	HARNESS-BOOM REST	
34	AG420121	1	HARNESS-GAUGE,LAMPS	
35	AG123597	1	HARNESS-LIGHT,WAIT TO START	
36	AG123794	1	GUARD,HEATER HOSE	
37	AG562049	2	BOLT 0.31-18NCX 0.75 S.S. HHD	
38	AG551015	2	WASHER 0.31 FL ZN REG TYPE-B	
39	AG550205	2	WASHER LK 0.31 ZN REG	
40	AG562090	2	NUT 0.31-18NC HEX SS REG	
41	AG561793	1	HOSE CLAMP RUBBER COATED	
42	AG550507	2	WASHER FL 0.25 ZN REG TYPE-B	
43	AG550493	2	WASHER LK 0.25 ZN REG	
44	AG563185	1	WASHER-LOCK,#10,EXT,ZN	
454	AG562047	1	BOLT 0.25-20NCX 0.50 S.S. HHD	
	FOOTNOTE [A]		MODULE HAS NO SERVICE PARTS	



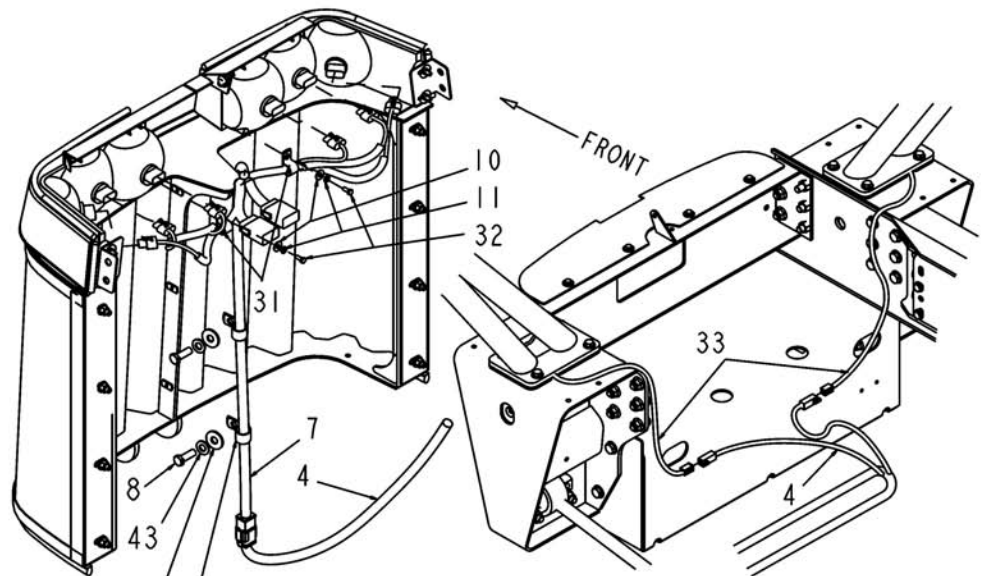
DETAIL P



DETAIL Q

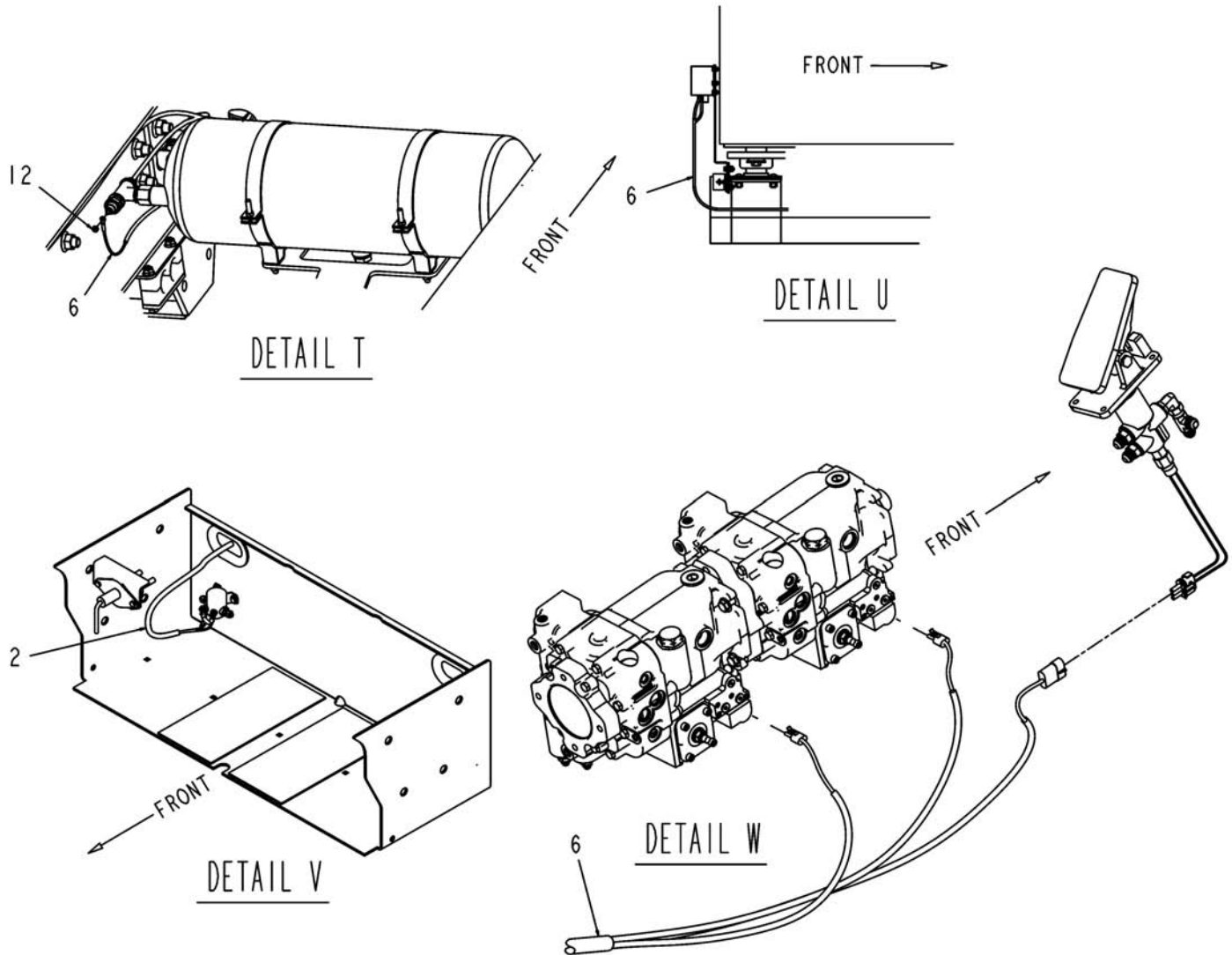


DETAIL R

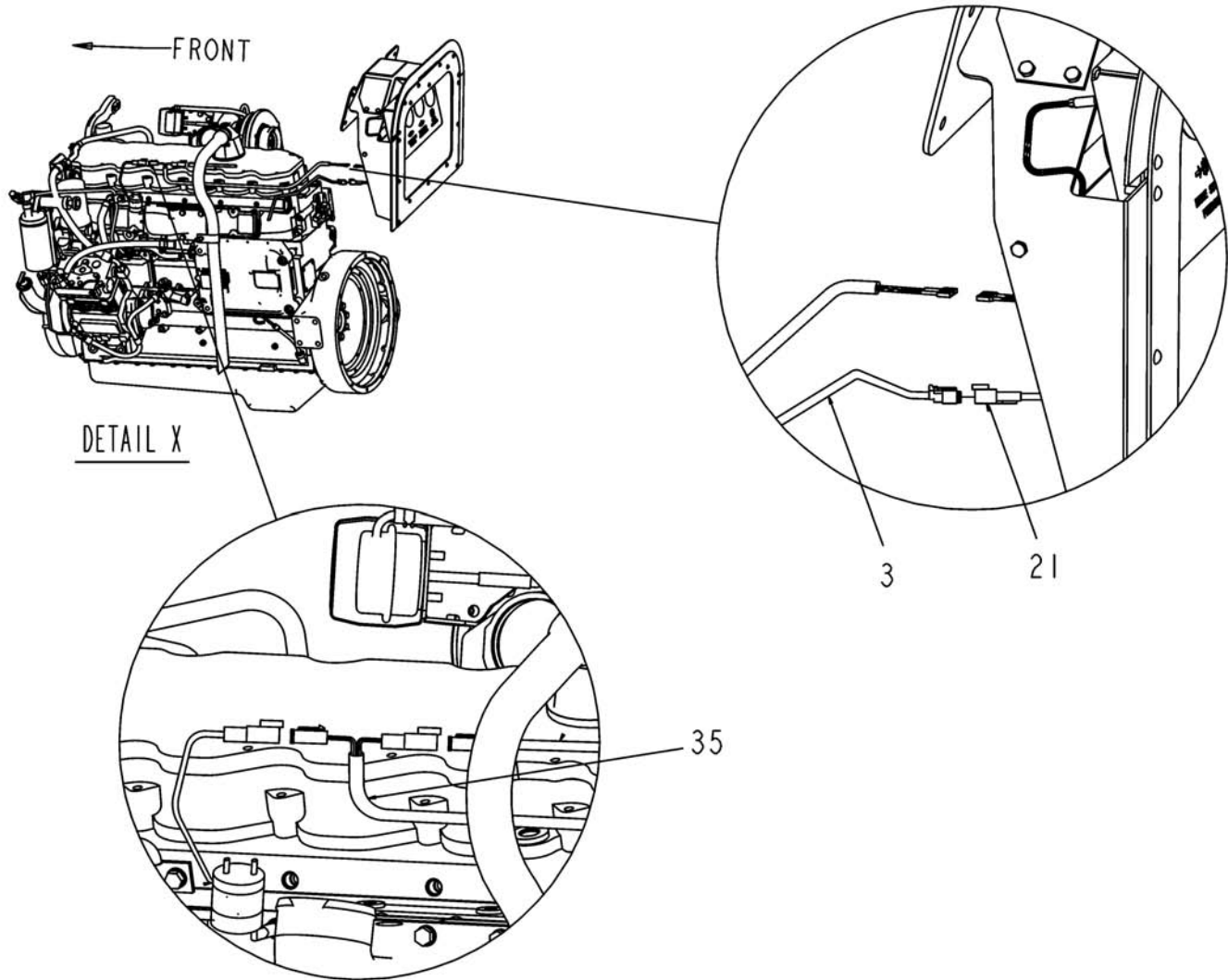


DETAIL S

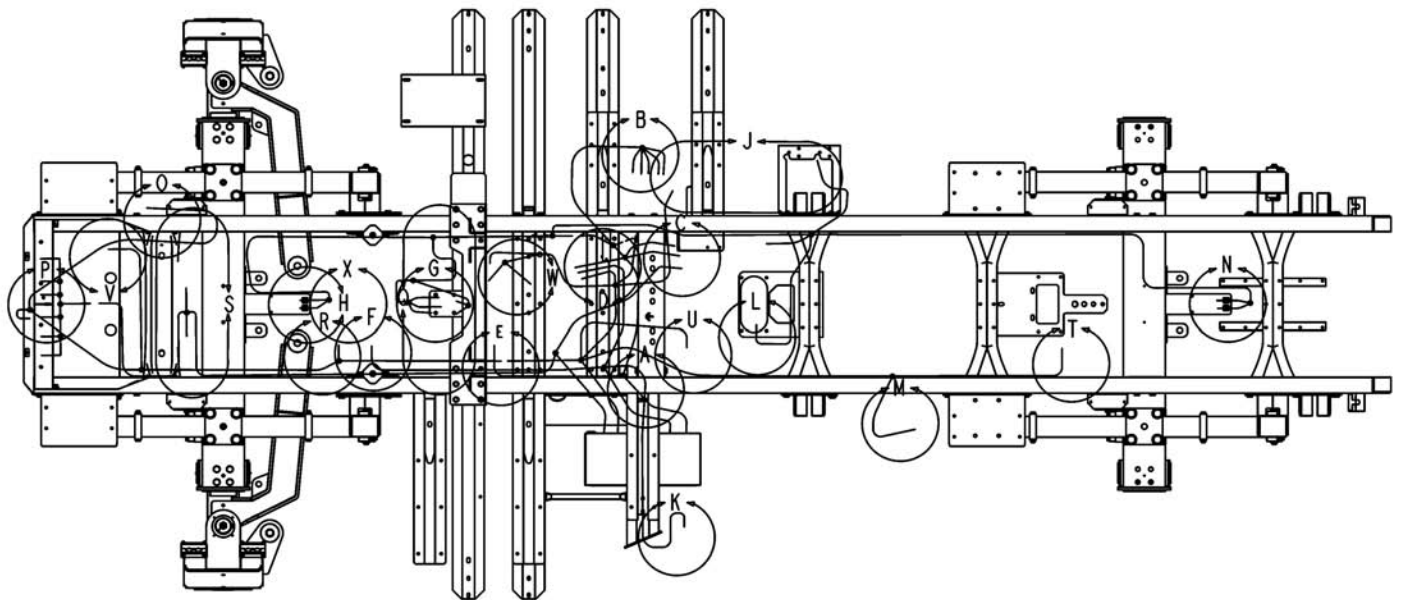
ITEM	PART #	QTY	DESCRIPTION	COMMENTS
1	AG121714	1	HARNESS-ADAPTER,864	
2	AG121715	1	HARNESS-ENGINE ELECTRICAL	
3	AG132560	1	HARN-ENG ELECTRONICS,CHASSIS	
4	AG124863	1	HARNESS-LIGHTING,CHASSIS,864	
5	AG124867	1	HARNESS-DRIVE CONTROL,CHASSIS	
6	AG124868	1	HARNESS-CHASSIS,864	
7	AG122019	1	HARNESS-ROAD LIGHTS,864	
8	AG550485	2	BOLT.25-20NCX.75 G5 ZN HHD	
9	AG562054	3	BOLT 0.25-20NCX 0.75 S.S. HHD	
10	AG515121	4	WASHER 0.25 FL SS REG	
11	AG515122	4	WASHER LK 0.25 SS REG	
12	AG515123	2	NUT 0.25-20NC HEX SS REG	
13	AG561895	1	CLAMP 1.50 HOSE COATED	
14	AG515697	3	NUT PANEL ELEC CONNECTOR	
15	AG515698	3	WASHER LOCK ELEC CONNECTOR	
16	AG553557	AR	TIE CABLE 7.37 .06-1.37 BLACK	
17	AG518989	AR	SEALANT NONCORROSIVE 10.3 OZ	
18	AG517743	1	SEAL PERIPHERAL 17 SHELL	
19	AG309580	1	CONNECTIONS COVER WELDMENT	
20	AG517742	4	SEAL PERIPHERAL 23 SHELL	
21	AG128078	-	FLOWCHART-OPT,81X4,05	
22	AG121751	1	MODULE-REMOTE THROTTLE	[A]
23	AG122239	1	BRACKET-REMOT THROTTLE MODULE	
24	AG562067	2	SCREW 8-32X 0.75 MA SS SL RHD	
25	AG027275	2	NUT,NY-LOCK 1/4-20 SS HX (P)	
26	AG563176	2	NUT-8-32,SS,NYLOCK,HEX	
27	AG604167	1	BOLT 0.37-16NCX 1.25 S.S. HHD	
28	AG562065	1	NUT 0.37-16NC HEX SS REG	
29	AG562050	1	WASHER LK 0.37 SS REG	
30	AG562072	1	WASHER 0.37 FL SS SAE	
31	AG562237	4	CLAMP CTD 0.75IDX0.75WIDE	
32	AG562327	2	BOLT M6-1.00X20MM G8.8 ZN HHD	
33	AG424327	-	HARNESS-BOOM REST	
34	AG420121	1	HARNESS-GAUGE,LAMPS	
35	AG123597	1	HARNESS-LIGHT,WAIT TO START	
36	AG123794	1	GUARD,HEATER HOSE	
37	AG562049	2	BOLT 0.31-18NCX 0.75 S.S. HHD	
38	AG551015	2	WASHER 0.31 FL ZN REG TYPE-B	
39	AG550205	2	WASHER LK 0.31 ZN REG	
40	AG562090	2	NUT 0.31-18NC HEX SS REG	
41	AG561793	1	HOSE CLAMP RUBBER COATED	
42	AG550507	2	WASHER FL 0.25 ZN REG TYPE-B	
43	AG550493	2	WASHER LK 0.25 ZN REG	
44	AG563185	1	WASHER-LOCK,#10,EXT,ZN	
454	AG562047	1	BOLT 0.25-20NCX 0.50 S.S. HHD	
	FOOTNOTE [A]		MODULE HAS NO SERVICE PARTS	



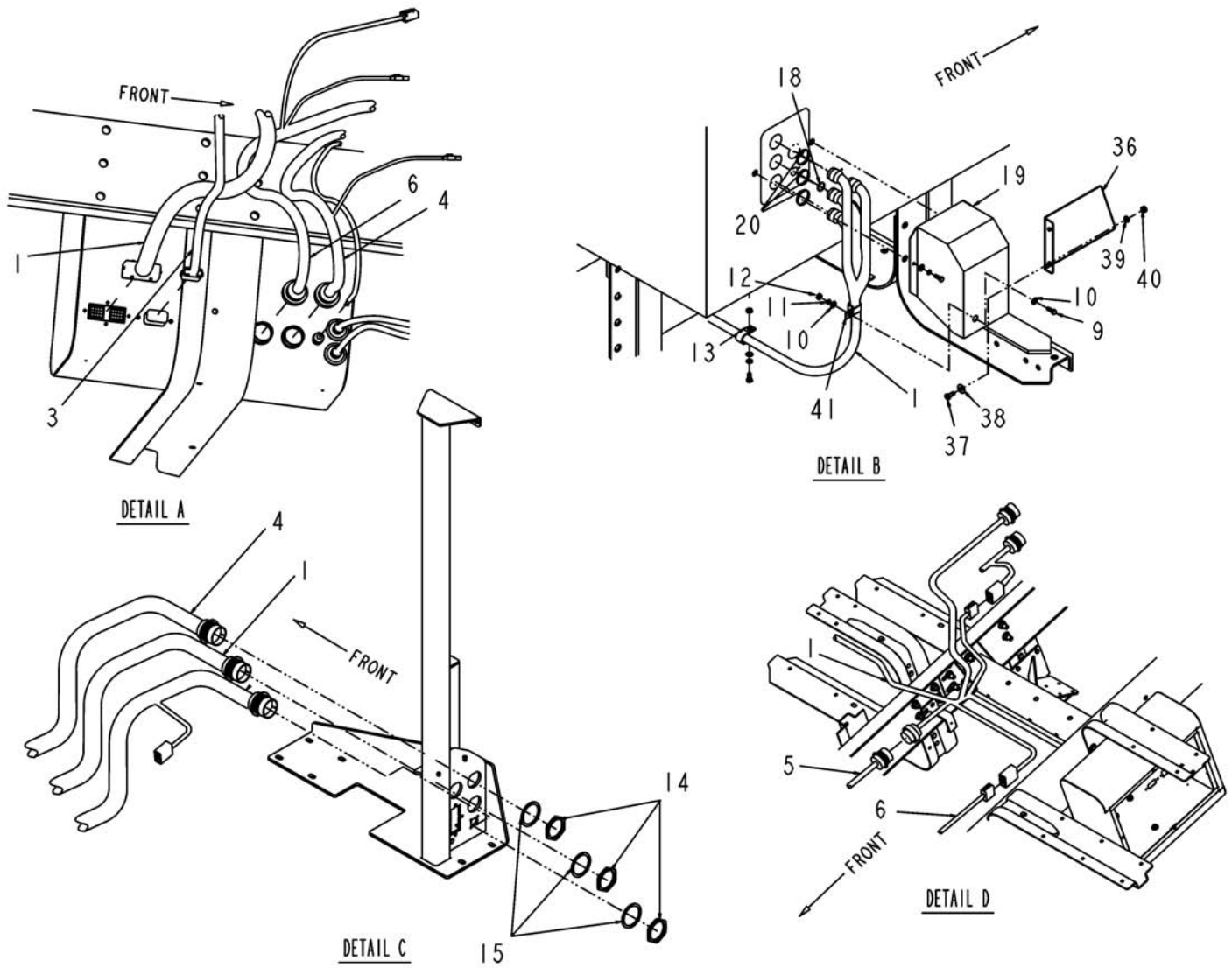
ITEM	PART #	QTY	DESCRIPTION	COMMENTS
1	AG121714	1	HARNESS-ADAPTER,864	
2	AG121715	1	HARNESS-ENGINE ELECTRICAL	
3	AG132560	1	HARN-ENG ELECTRONICS,CHASSIS	
4	AG124863	1	HARNESS-LIGHTING,CHASSIS,864	
5	AG124867	1	HARNESS-DRIVE CONTROL,CHASSIS	
6	AG124868	1	HARNESS-CHASSIS,864	
7	AG122019	1	HARNESS-ROAD LIGHTS,864	
8	AG550485	2	BOLT.25-20NCX.75 G5 ZN HHD	
9	AG562054	3	BOLT 0.25-20NCX 0.75 S.S. HHD	
10	AG515121	4	WASHER 0.25 FL SS REG	
11	AG515122	4	WASHER LK 0.25 SS REG	
12	AG515123	2	NUT 0.25-20NC HEX SS REG	
13	AG561895	1	CLAMP 1.50 HOSE COATED	
14	AG515697	3	NUT PANEL ELEC CONNECTOR	
15	AG515698	3	WASHER LOCK ELEC CONNECTOR	
16	AG553557	AR	TIE CABLE 7.37 .06-1.37 BLACK	
17	AG518989	AR	SEALANT NONCORROSIVE 10.3 OZ	
18	AG517743	1	SEAL PERIPHERAL 17 SHELL	
19	AG309580	1	CONNECTIONS COVER WELDMENT	
20	AG517742	4	SEAL PERIPHERAL 23 SHELL	
21	AG128078	-	FLOWCHART-OPT,81X4,05	
22	AG121751	1	MODULE-REMOTE THROTTLE	[A]
23	AG122239	1	BRACKET-REMOT THROTTLE MODULE	
24	AG562067	2	SCREW 8-32X 0.75 MA SS SL RHD	
25	AG027275	2	NUT,NY-LOCK 1/4-20 SS HX (P)	
26	AG563176	2	NUT-8-32,SS,NYLOCK,HEX	
27	AG604167	1	BOLT 0.37-16NCX 1.25 S.S. HHD	
28	AG562065	1	NUT 0.37-16NC HEX SS REG	
29	AG562050	1	WASHER LK 0.37 SS REG	
30	AG562072	1	WASHER 0.37 FL SS SAE	
31	AG562237	4	CLAMP CTD 0.75IDX0.75WIDE	
32	AG562327	2	BOLT M6-1.00X20MM G8.8 ZN HHD	
33	AG424327	-	HARNESS-BOOM REST	
34	AG420121	1	HARNESS-GAUGE,LAMPS	
35	AG123597	1	HARNESS-LIGHT,WAIT TO START	
36	AG123794	1	GUARD,HEATER HOSE	
37	AG562049	2	BOLT 0.31-18NCX 0.75 S.S. HHD	
38	AG551015	2	WASHER 0.31 FL ZN REG TYPE-B	
39	AG550205	2	WASHER LK 0.31 ZN REG	
40	AG562090	2	NUT 0.31-18NC HEX SS REG	
41	AG561793	1	HOSE CLAMP RUBBER COATED	
42	AG550507	2	WASHER FL 0.25 ZN REG TYPE-B	
43	AG550493	2	WASHER LK 0.25 ZN REG	
44	AG563185	1	WASHER-LOCK,#10,EXT,ZN	
454	AG562047	1	BOLT 0.25-20NCX 0.50 S.S. HHD	
	FOOTNOTE [A]		MODULE HAS NO SERVICE PARTS	



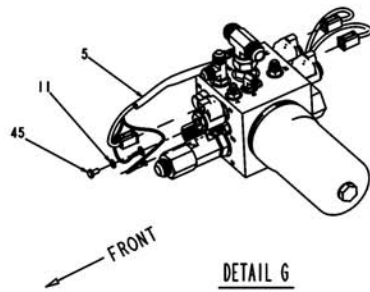
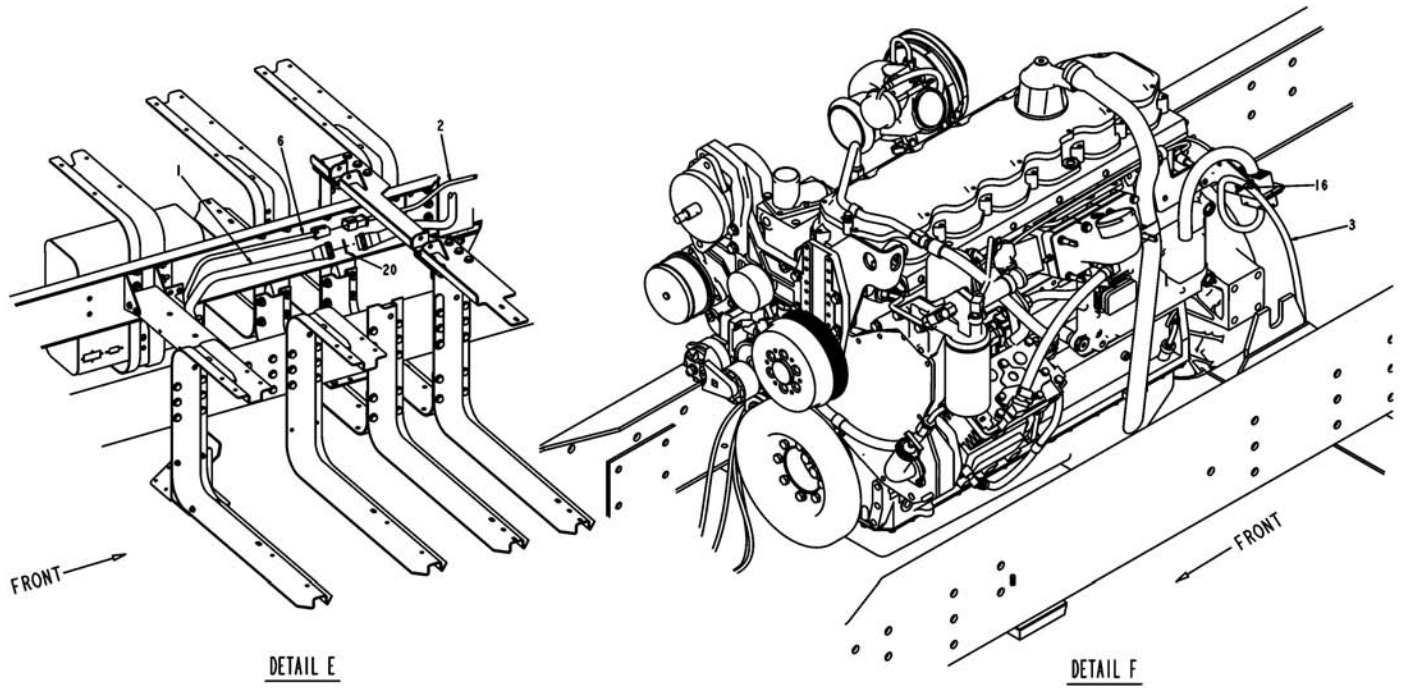
ITEM	PART #	QTY	DESCRIPTION	COMMENTS
1	AG121714	1	HARNESS-ADAPTER,864	
2	AG121715	1	HARNESS-ENGINE ELECTRICAL	
3	AG132560	1	HARN-ENG ELECTRONICS,CHASSIS	
4	AG124863	1	HARNESS-LIGHTING,CHASSIS,864	
5	AG124867	1	HARNESS-DRIVE CONTROL,CHASSIS	
6	AG124868	1	HARNESS-CHASSIS,864	
7	AG122019	1	HARNESS-ROAD LIGHTS,864	
8	AG550485	2	BOLT.25-20NCX.75 G5 ZN HHD	
9	AG562054	3	BOLT 0.25-20NCX 0.75 S.S. HHD	
10	AG515121	4	WASHER 0.25 FL SS REG	
11	AG515122	4	WASHER LK 0.25 SS REG	
12	AG515123	2	NUT 0.25-20NC HEX SS REG	
13	AG561895	1	CLAMP 1.50 HOSE COATED	
14	AG515697	3	NUT PANEL ELEC CONNECTOR	
15	AG515698	3	WASHER LOCK ELEC CONNECTOR	
16	AG553557	AR	TIE CABLE 7.37 .06-1.37 BLACK	
17	AG518989	AR	SEALANT NONCORROSIVE 10.3 OZ	
18	AG517743	1	SEAL PERIPHERAL 17 SHELL	
19	AG309580	1	CONNECTIONS COVER WELDMENT	
20	AG517742	4	SEAL PERIPHERAL 23 SHELL	
21	AG128078	-	FLOWCHART-OPT,81X4,05	
22	AG121751	1	MODULE-REMOTE THROTTLE	[A]
23	AG122239	1	BRACKET-REMOT THROTTLE MODULE	
24	AG562067	2	SCREW 8-32X 0.75 MA SS SL RHD	
25	AG027275	2	NUT,NY-LOCK 1/4-20 SS HX (P)	
26	AG563176	2	NUT-8-32,SS,NYLOCK,HEX	
27	AG604167	1	BOLT 0.37-16NCX 1.25 S.S. HHD	
28	AG562065	1	NUT 0.37-16NC HEX SS REG	
29	AG562050	1	WASHER LK 0.37 SS REG	
30	AG562072	1	WASHER 0.37 FL SS SAE	
31	AG562237	4	CLAMP CTD 0.75IDX0.75WIDE	
32	AG562327	2	BOLT M6-1.00X20MM G8.8 ZN HHD	
33	AG424327	-	HARNESS-BOOM REST	
34	AG420121	1	HARNESS-GAUGE,LAMPS	
35	AG123597	1	HARNESS-LIGHT,WAIT TO START	
36	AG123794	1	GUARD,HEATER HOSE	
37	AG562049	2	BOLT 0.31-18NCX 0.75 S.S. HHD	
38	AG551015	2	WASHER 0.31 FL ZN REG TYPE-B	
39	AG550205	2	WASHER LK 0.31 ZN REG	
40	AG562090	2	NUT 0.31-18NC HEX SS REG	
41	AG561793	1	HOSE CLAMP RUBBER COATED	
42	AG550507	2	WASHER FL 0.25 ZN REG TYPE-B	
43	AG550493	2	WASHER LK 0.25 ZN REG	
44	AG563185	1	WASHER-LOCK,#10,EXT,ZN	
454	AG562047	1	BOLT 0.25-20NCX 0.50 S.S. HHD	
	FOOTNOTE [A]		MODULE HAS NO SERVICE PARTS	



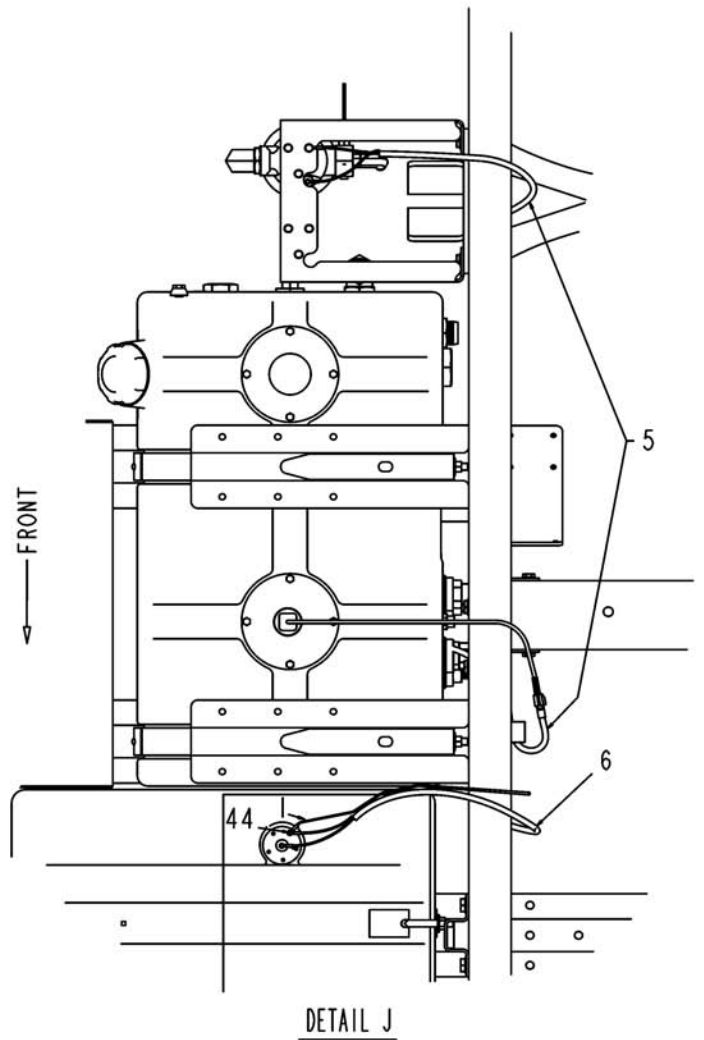
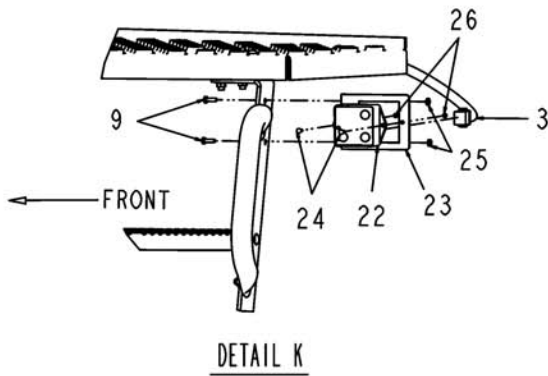
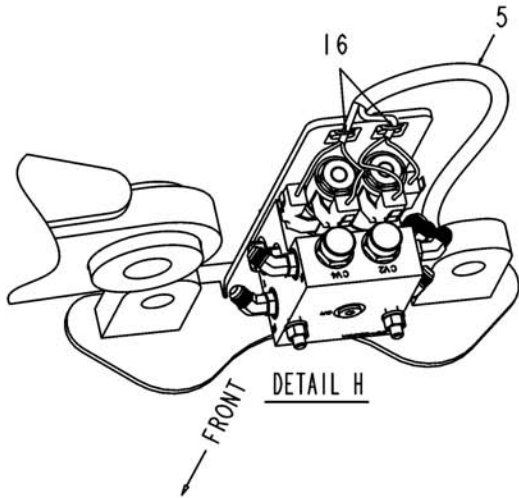
ITEM	PART #	QTY	DESCRIPTION	COMMENTS
1	AG121714	1	HARNESS-ADAPTER,864	
2	AG121715	1	HARNESS-ENGINE ELECTRICAL	
3	AG132560	1	HARN-ENG ELECTRONICS,CHASSIS	
4	AG124863	1	HARNESS-LIGHTING,CHASSIS,864	
5	AG124867	1	HARNESS-DRIVE CONTROL,CHASSIS	
6	505567D1	1	HARNESS-CHASSIS,864	
7	AG122019	1	HARNESS-ROAD LIGHTS,864	
8	AG550485	2	BOLT.25-20NCX.75 G5 ZN HHD	
9	AG562054	3	BOLT 0.25-20NCX 0.75 S.S. HHD	
10	AG515121	4	WASHER 0.25 FL SS REG	
11	AG515122	3	WASHER LK 0.25 SS REG	
12	AG515123	2	NUT 0.25-20NC HEX SS REG	
13	AG561895	1	CLAMP 1.50 HOSE COATED	
14	AG515697	3	NUT PANEL ELEC CONNECTOR	
15	AG515698	3	WASHER LOCK ELEC CONNECTOR	
16	AG553557	AR	TIE CABLE 7.37 .06-1.37 BLACK	
17	AG518989	AR	SEALANT NONCORROSIVE 10.3 OZ	
18	AG517743	1	SEAL PERIPHERAL 17 SHELL	
19	AG309580	1	CONNECTIONS COVER WELDMENT	
20	AG517742	4	SEAL PERIPHERAL 23 SHELL	
21	AG125078	-	SOLENOID-RWK,EXH BRAKE	SEE PAGE 6-6
22	AG121751	1	MODULE-REMOTE THROTTLE	[A]
23	AG122239	1	BRACKET-REMOT THROTTLE MODULE	
24	AG562067	2	SCREW 8-32X 0.75 MA SS SL RHD	
25	AG027275	2	NUT,NY-LOCK 1/4-20 SS HX (P)	
26	AG563176	2	NUT-8-32,SS,NYLOCK,HEX	
27	AG604167	1	BOLT 0.37-16NCX 1.25 S.S. HHD	
28	AG562065	1	NUT 0.37-16NC HEX SS REG	
29	AG562050	1	WASHER LK 0.37 SS REG	
30	AG562072	1	WASHER 0.37 FL SS SAE	
31	AG562237	4	CLAMP CTD 0.75IDX0.75WIDE	
32	AG562327	2	BOLT M6-1.00X20MM G8.8 ZN HHD	
33	AG424327	-	HARNESS-BOOM REST	
34	AG420121	1	HARNESS-GAUGE,LAMPS	
35	AG123597	1	HARNESS-LIGHT,WAIT TO START	
36	AG123794	1	GUARD,HEATER HOSE	
37	AG562049	2	BOLT 0.31-18NCX 0.75 S.S. HHD	
38	AG551015	2	WASHER 0.31 FL ZN REG TYPE-B	
39	AG550205	2	WASHER LK 0.31 ZN REG	
40	AG562090	2	NUT 0.31-18NC HEX SS REG	
41	AG561793	1	HOSE CLAMP RUBBER COATED	
42	AG550507	2	WASHER FL 0.25 ZN REG TYPE-B	
43	AG550493	2	WASHER LK 0.25 ZN REG	
44	AG563185	1	WASHER-LOCK,#10,EXT,ZN	
45	AG562047	1	BOLT 0.25-20NCX 0.50 S.S. HHD	
	FOOTNOTE [A]		MODULE HAS NO SERVICE PARTS	



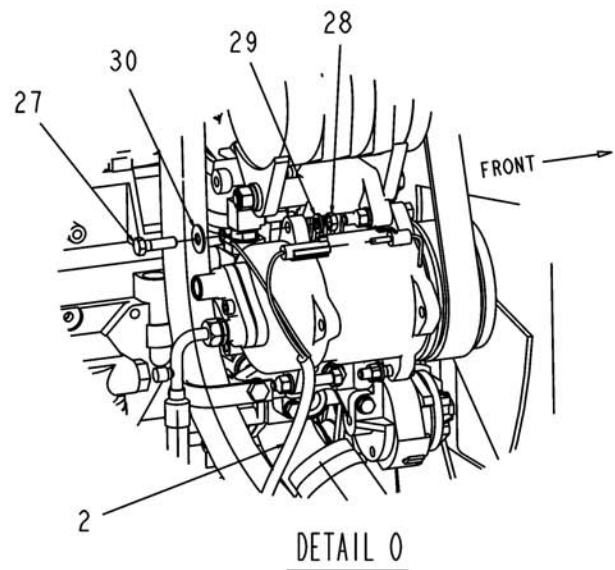
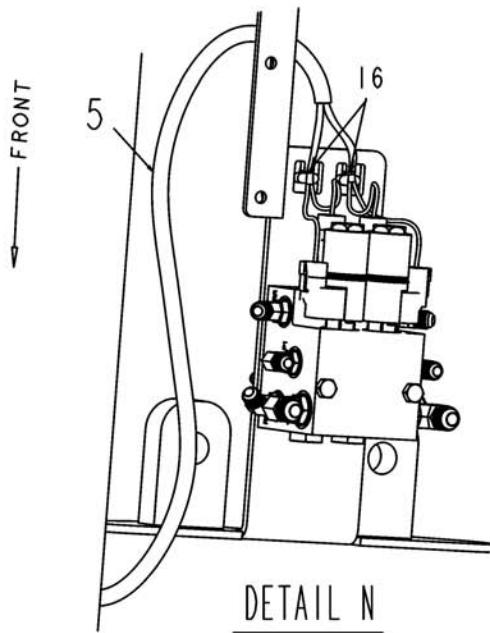
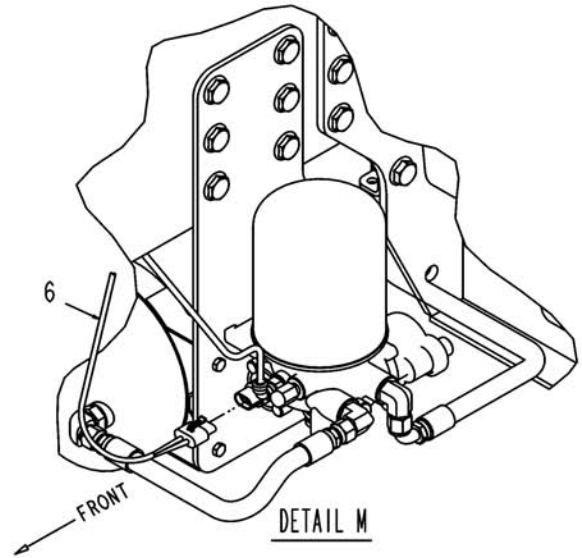
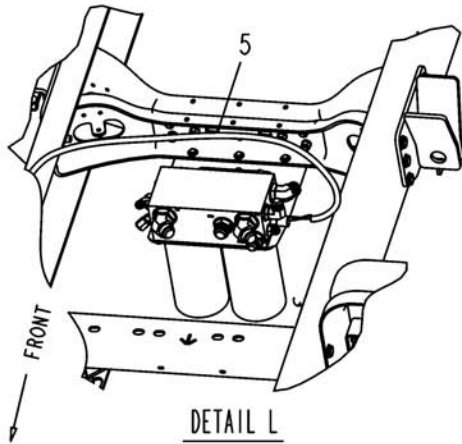
ITEM	PART #	QTY	DESCRIPTION	COMMENTS
1	AG121714	1	HARNESS-ADAPTER,864	
2	AG121715	1	HARNESS-ENGINE ELECTRICAL	
3	AG132560	1	HARN-ENG ELECTRONICS,CHASSIS	
4	AG124863	1	HARNESS-LIGHTING,CHASSIS,864	
5	AG124867	1	HARNESS-DRIVE CONTROL,CHASSIS	
6	505567D1	1	HARNESS-CHASSIS,864	
7	AG122019	1	HARNESS-ROAD LIGHTS,864	
8	AG550485	2	BOLT.25-20NCX.75 G5 ZN HHD	
9	AG562054	3	BOLT 0.25-20NCX 0.75 S.S. HHD	
10	AG515121	4	WASHER 0.25 FL SS REG	
11	AG515122	3	WASHER LK 0.25 SS REG	
12	AG515123	2	NUT 0.25-20NC HEX SS REG	
13	AG561895	1	CLAMP 1.50 HOSE COATED	
14	AG515697	3	NUT PANEL ELEC CONNECTOR	
15	AG515698	3	WASHER LOCK ELEC CONNECTOR	
16	AG553557	AR	TIE CABLE 7.37 .06-1.37 BLACK	
17	AG518989	AR	SEALANT NONCORROSIVE 10.3 OZ	
18	AG517743	1	SEAL PERIPHERAL 17 SHELL	
19	AG309580	1	CONNECTIONS COVER WELDMENT	
20	AG517742	4	SEAL PERIPHERAL 23 SHELL	
21	AG125078	-	SOLENOID-RWK,EXH BRAKE	SEE PAGE 6-6
22	AG121751	1	MODULE-REMOTE THROTTLE	[A]
23	AG122239	1	BRACKET-REMOT THROTTLE MODULE	
24	AG562067	2	SCREW 8-32X 0.75 MA SS SL RHD	
25	AG027275	2	NUT,NY-LOCK 1/4-20 SS HX (P)	
26	AG563176	2	NUT-8-32,SS,NYLOCK,HEX	
27	AG604167	1	BOLT 0.37-16NCX 1.25 S.S. HHD	
28	AG562065	1	NUT 0.37-16NC HEX SS REG	
29	AG562050	1	WASHER LK 0.37 SS REG	
30	AG562072	1	WASHER 0.37 FL SS SAE	
31	AG562237	4	CLAMP CTD 0.75IDX0.75WIDE	
32	AG562327	2	BOLT M6-1.00X20MM G8.8 ZN HHD	
33	AG424327	-	HARNESS-BOOM REST	
34	AG420121	1	HARNESS-GAUGE,LAMPS	
35	AG123597	1	HARNESS-LIGHT,WAIT TO START	
36	AG123794	1	GUARD,HEATER HOSE	
37	AG562049	2	BOLT 0.31-18NCX 0.75 S.S. HHD	
38	AG551015	2	WASHER 0.31 FL ZN REG TYPE-B	
39	AG550205	2	WASHER LK 0.31 ZN REG	
40	AG562090	2	NUT 0.31-18NC HEX SS REG	
41	AG561793	1	HOSE CLAMP RUBBER COATED	
42	AG550507	2	WASHER FL 0.25 ZN REG TYPE-B	
43	AG550493	2	WASHER LK 0.25 ZN REG	
44	AG563185	1	WASHER-LOCK,#10,EXT,ZN	
45	AG562047	1	BOLT 0.25-20NCX 0.50 S.S. HHD	
	FOOTNOTE [A]		MODULE HAS NO SERVICE PARTS	



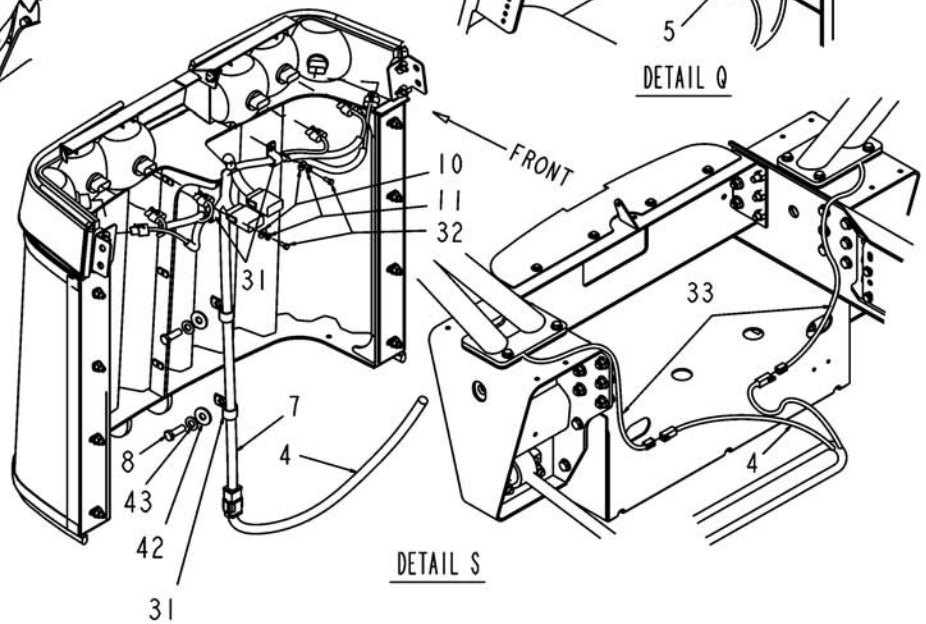
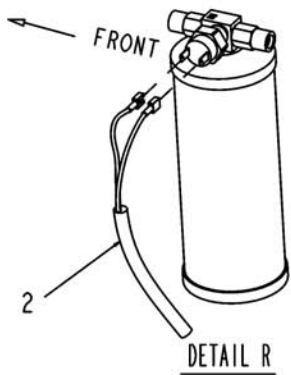
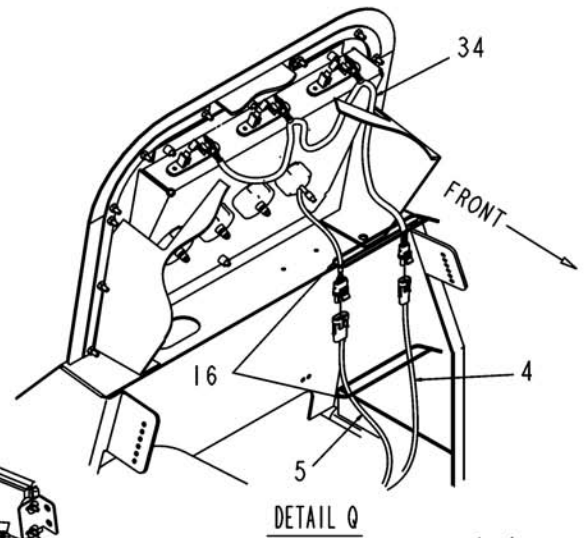
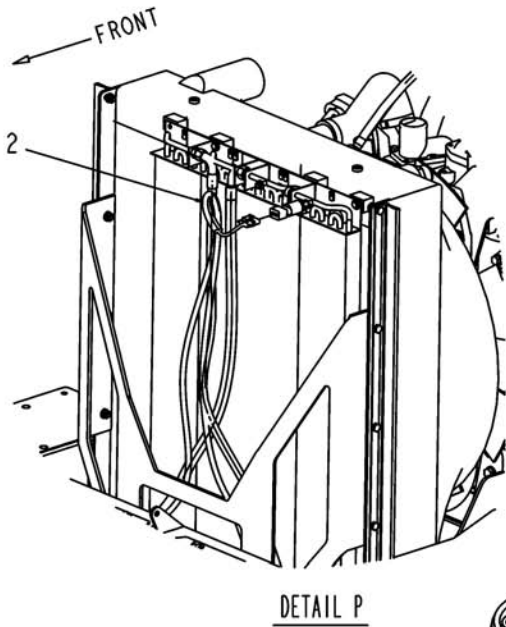
ITEM	PART #	QTY	DESCRIPTION	COMMENTS
1	AG121714	1	HARNESS-ADAPTER,864	
2	AG121715	1	HARNESS-ENGINE ELECTRICAL	
3	AG132560	1	HARN-ENG ELECTRONICS,CHASSIS	
4	AG124863	1	HARNESS-LIGHTING,CHASSIS,864	
5	AG124867	1	HARNESS-DRIVE CONTROL,CHASSIS	
6	505567D1	1	HARNESS-CHASSIS,864	
7	AG122019	1	HARNESS-ROAD LIGHTS,864	
8	AG550485	2	BOLT.25-20NCX.75 G5 ZN HHD	
9	AG562054	3	BOLT 0.25-20NCX 0.75 S.S. HHD	
10	AG515121	4	WASHER 0.25 FL SS REG	
11	AG515122	3	WASHER LK 0.25 SS REG	
12	AG515123	2	NUT 0.25-20NC HEX SS REG	
13	AG561895	1	CLAMP 1.50 HOSE COATED	
14	AG515697	3	NUT PANEL ELEC CONNECTOR	
15	AG515698	3	WASHER LOCK ELEC CONNECTOR	
16	AG553557	AR	TIE CABLE 7.37 .06-1.37 BLACK	
17	AG518989	AR	SEALANT NONCORROSIVE 10.3 OZ	
18	AG517743	1	SEAL PERIPHERAL 17 SHELL	
19	AG309580	1	CONNECTIONS COVER WELDMENT	
20	AG517742	4	SEAL PERIPHERAL 23 SHELL	
21	AG125078	-	SOLENOID-RWK,EXH BRAKE	SEE PAGE 6-6
22	AG121751	1	MODULE-REMOTE THROTTLE	[A]
23	AG122239	1	BRACKET-REMOT THROTTLE MODULE	
24	AG562067	2	SCREW 8-32X 0.75 MA SS SL RHD	
25	AG027275	2	NUT,NY-LOCK 1/4-20 SS HX (P)	
26	AG563176	2	NUT-8-32,SS,NYLOCK,HEX	
27	AG604167	1	BOLT 0.37-16NCX 1.25 S.S. HHD	
28	AG562065	1	NUT 0.37-16NC HEX SS REG	
29	AG562050	1	WASHER LK 0.37 SS REG	
30	AG562072	1	WASHER 0.37 FL SS SAE	
31	AG562237	4	CLAMP CTD 0.75IDX0.75WIDE	
32	AG562327	2	BOLT M6-1.00X20MM G8.8 ZN HHD	
33	AG424327	-	HARNESS-BOOM REST	
34	AG420121	1	HARNESS-GAUGE,LAMPS	
35	AG123597	1	HARNESS-LIGHT,WAIT TO START	
36	AG123794	1	GUARD,HEATER HOSE	
37	AG562049	2	BOLT 0.31-18NCX 0.75 S.S. HHD	
38	AG551015	2	WASHER 0.31 FL ZN REG TYPE-B	
39	AG550205	2	WASHER LK 0.31 ZN REG	
40	AG562090	2	NUT 0.31-18NC HEX SS REG	
41	AG561793	1	HOSE CLAMP RUBBER COATED	
42	AG550507	2	WASHER FL 0.25 ZN REG TYPE-B	
43	AG550493	2	WASHER LK 0.25 ZN REG	
44	AG563185	1	WASHER-LOCK,#10,EXT,ZN	
45	AG562047	1	BOLT 0.25-20NCX 0.50 S.S. HHD	
	FOOTNOTE [A]		MODULE HAS NO SERVICE PARTS	



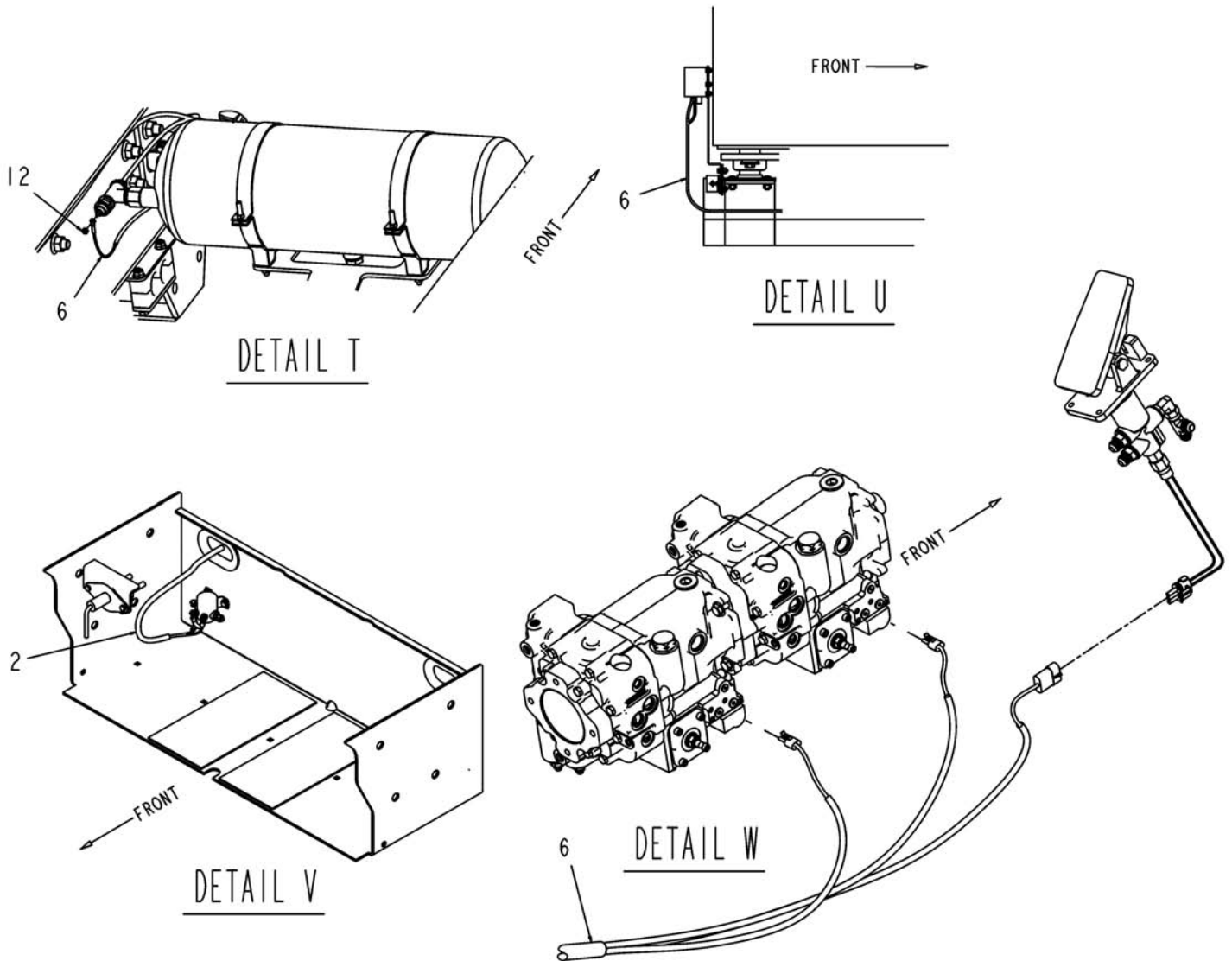
ITEM	PART #	QTY	DESCRIPTION	COMMENTS
1	AG121714	1	HARNESS-ADAPTER,864	
2	AG121715	1	HARNESS-ENGINE ELECTRICAL	
3	AG132560	1	HARN-ENG ELECTRONICS,CHASSIS	
4	AG124863	1	HARNESS-LIGHTING,CHASSIS,864	
5	AG124867	1	HARNESS-DRIVE CONTROL,CHASSIS	
6	505567D1	1	HARNESS-CHASSIS,864	
7	AG122019	1	HARNESS-ROAD LIGHTS,864	
8	AG550485	2	BOLT.25-20NCX.75 G5 ZN HHD	
9	AG562054	3	BOLT 0.25-20NCX 0.75 S.S. HHD	
10	AG515121	4	WASHER 0.25 FL SS REG	
11	AG515122	3	WASHER LK 0.25 SS REG	
12	AG515123	2	NUT 0.25-20NC HEX SS REG	
13	AG561895	1	CLAMP 1.50 HOSE COATED	
14	AG515697	3	NUT PANEL ELEC CONNECTOR	
15	AG515698	3	WASHER LOCK ELEC CONNECTOR	
16	AG553557	AR	TIE CABLE 7.37 .06-1.37 BLACK	
17	AG518989	AR	SEALANT NONCORROSIVE 10.3 OZ	
18	AG517743	1	SEAL PERIPHERAL 17 SHELL	
19	AG309580	1	CONNECTIONS COVER WELDMENT	
20	AG517742	4	SEAL PERIPHERAL 23 SHELL	
21	AG125078	-	SOLENOID-RWK,EXH BRAKE	SEE PAGE 6-6
22	AG121751	1	MODULE-REMOTE THROTTLE	[A]
23	AG122239	1	BRACKET-REMOT THROTTLE MODULE	
24	AG562067	2	SCREW 8-32X 0.75 MA SS SL RHD	
25	AG027275	2	NUT,NY-LOCK 1/4-20 SS HX (P)	
26	AG563176	2	NUT-8-32,SS,NYLOCK,HEX	
27	AG604167	1	BOLT 0.37-16NCX 1.25 S.S. HHD	
28	AG562065	1	NUT 0.37-16NC HEX SS REG	
29	AG562050	1	WASHER LK 0.37 SS REG	
30	AG562072	1	WASHER 0.37 FL SS SAE	
31	AG562237	4	CLAMP CTD 0.75IDX0.75WIDE	
32	AG562327	2	BOLT M6-1.00X20MM G8.8 ZN HHD	
33	AG424327	-	HARNESS-BOOM REST	
34	AG420121	1	HARNESS-GAUGE,LAMPS	
35	AG123597	1	HARNESS-LIGHT,WAIT TO START	
36	AG123794	1	GUARD,HEATER HOSE	
37	AG562049	2	BOLT 0.31-18NCX 0.75 S.S. HHD	
38	AG551015	2	WASHER 0.31 FL ZN REG TYPE-B	
39	AG550205	2	WASHER LK 0.31 ZN REG	
40	AG562090	2	NUT 0.31-18NC HEX SS REG	
41	AG561793	1	HOSE CLAMP RUBBER COATED	
42	AG550507	2	WASHER FL 0.25 ZN REG TYPE-B	
43	AG550493	2	WASHER LK 0.25 ZN REG	
44	AG563185	1	WASHER-LOCK,#10,EXT,ZN	
45	AG562047	1	BOLT 0.25-20NCX 0.50 S.S. HHD	
	FOOTNOTE [A]		MODULE HAS NO SERVICE PARTS	



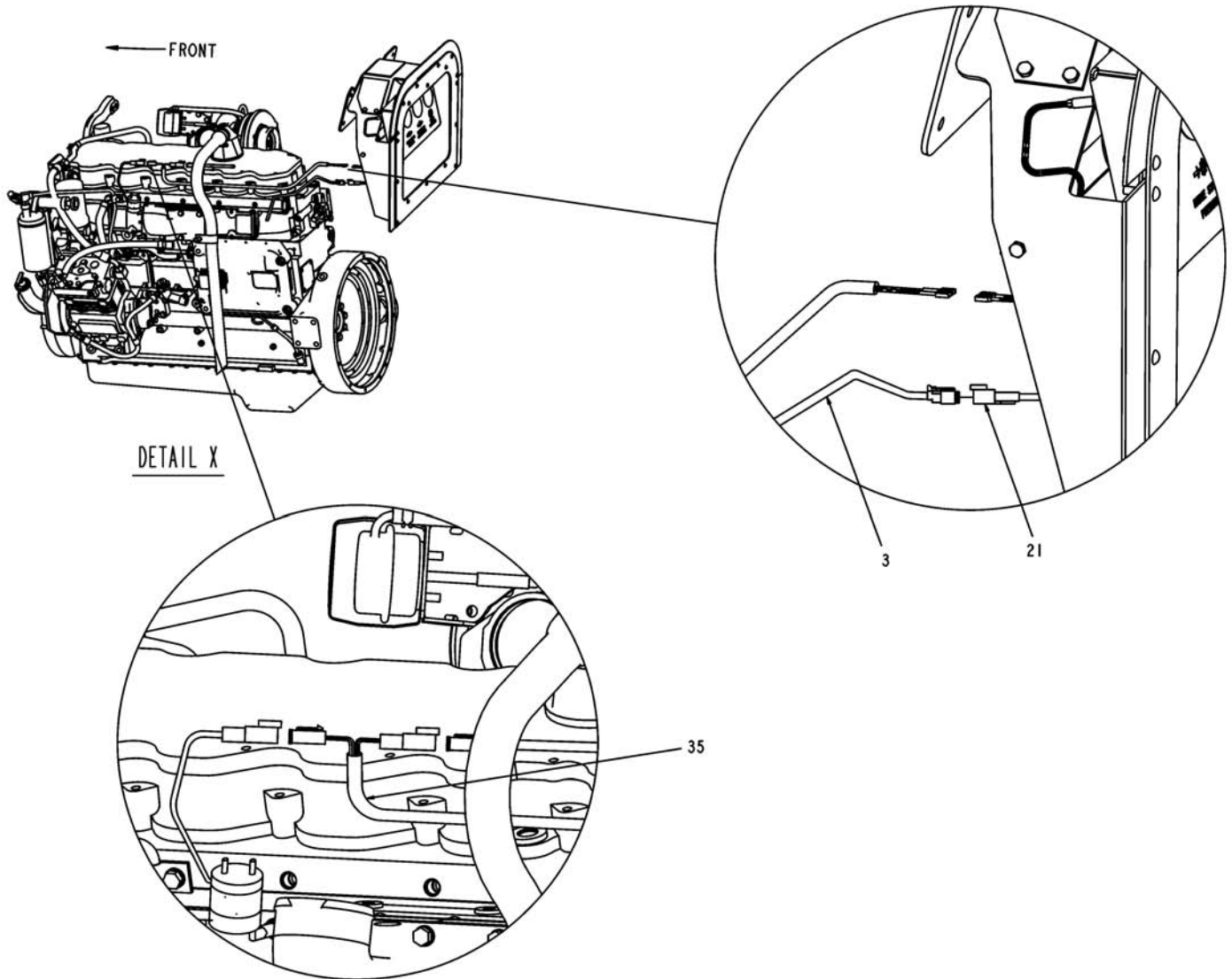
ITEM	PART #	QTY	DESCRIPTION	COMMENTS
1	AG121714	1	HARNESS-ADAPTER,864	
2	AG121715	1	HARNESS-ENGINE ELECTRICAL	
3	AG132560	1	HARN-ENG ELECTRONICS,CHASSIS	
4	AG124863	1	HARNESS-LIGHTING,CHASSIS,864	
5	AG124867	1	HARNESS-DRIVE CONTROL,CHASSIS	
6	505567D1	1	HARNESS-CHASSIS,864	
7	AG122019	1	HARNESS-ROAD LIGHTS,864	
8	AG550485	2	BOLT.25-20NCX.75 G5 ZN HHD	
9	AG562054	3	BOLT 0.25-20NCX 0.75 S.S. HHD	
10	AG515121	4	WASHER 0.25 FL SS REG	
11	AG515122	3	WASHER LK 0.25 SS REG	
12	AG515123	2	NUT 0.25-20NC HEX SS REG	
13	AG561895	1	CLAMP 1.50 HOSE COATED	
14	AG515697	3	NUT PANEL ELEC CONNECTOR	
15	AG515698	3	WASHER LOCK ELEC CONNECTOR	
16	AG553557	AR	TIE CABLE 7.37 .06-1.37 BLACK	
17	AG518989	AR	SEALANT NONCORROSIVE 10.3 OZ	
18	AG517743	1	SEAL PERIPHERAL 17 SHELL	
19	AG309580	1	CONNECTIONS COVER WELDMENT	
20	AG517742	4	SEAL PERIPHERAL 23 SHELL	
21	AG125078	-	SOLENOID-RWK,EXH BRAKE	SEE PAGE 6-6
22	AG121751	1	MODULE-REMOTE THROTTLE	[A]
23	AG122239	1	BRACKET-REMOT THROTTLE MODULE	
24	AG562067	2	SCREW 8-32X 0.75 MA SS SL RHD	
25	AG027275	2	NUT,NY-LOCK 1/4-20 SS HX (P)	
26	AG563176	2	NUT-8-32,SS,NYLOCK,HEX	
27	AG604167	1	BOLT 0.37-16NCX 1.25 S.S. HHD	
28	AG562065	1	NUT 0.37-16NC HEX SS REG	
29	AG562050	1	WASHER LK 0.37 SS REG	
30	AG562072	1	WASHER 0.37 FL SS SAE	
31	AG562237	4	CLAMP CTD 0.75IDX0.75WIDE	
32	AG562327	2	BOLT M6-1.00X20MM G8.8 ZN HHD	
33	AG424327	-	HARNESS-BOOM REST	
34	AG420121	1	HARNESS-GAUGE,LAMPS	
35	AG123597	1	HARNESS-LIGHT,WAIT TO START	
36	AG123794	1	GUARD,HEATER HOSE	
37	AG562049	2	BOLT 0.31-18NCX 0.75 S.S. HHD	
38	AG551015	2	WASHER 0.31 FL ZN REG TYPE-B	
39	AG550205	2	WASHER LK 0.31 ZN REG	
40	AG562090	2	NUT 0.31-18NC HEX SS REG	
41	AG561793	1	HOSE CLAMP RUBBER COATED	
42	AG550507	2	WASHER FL 0.25 ZN REG TYPE-B	
43	AG550493	2	WASHER LK 0.25 ZN REG	
44	AG563185	1	WASHER-LOCK,#10,EXT,ZN	
45	AG562047	1	BOLT 0.25-20NCX 0.50 S.S. HHD	
	FOOTNOTE [A]		MODULE HAS NO SERVICE PARTS	



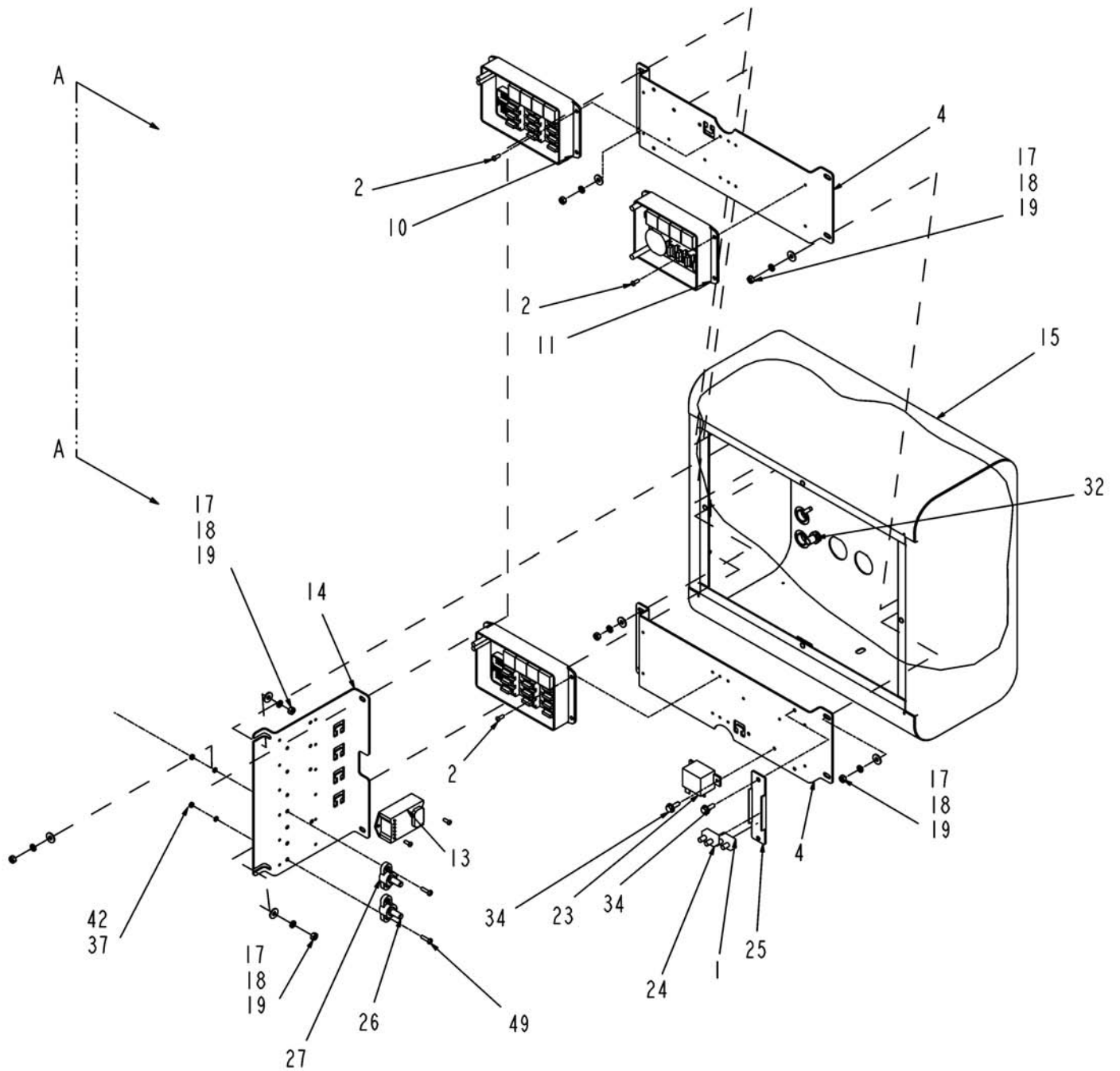
ITEM	PART #	QTY	DESCRIPTION	COMMENTS
1	AG121714	1	HARNESS-ADAPTER,864	
2	AG121715	1	HARNESS-ENGINE ELECTRICAL	
3	AG132560	1	HARN-ENG ELECTRONICS,CHASSIS	
4	AG124863	1	HARNESS-LIGHTING,CHASSIS,864	
5	AG124867	1	HARNESS-DRIVE CONTROL,CHASSIS	
6	505567D1	1	HARNESS-CHASSIS,864	
7	AG122019	1	HARNESS-ROAD LIGHTS,864	
8	AG550485	2	BOLT.25-20NCX.75 G5 ZN HHD	
9	AG562054	3	BOLT 0.25-20NCX 0.75 S.S. HHD	
10	AG515121	4	WASHER 0.25 FL SS REG	
11	AG515122	3	WASHER LK 0.25 SS REG	
12	AG515123	2	NUT 0.25-20NC HEX SS REG	
13	AG561895	1	CLAMP 1.50 HOSE COATED	
14	AG515697	3	NUT PANEL ELEC CONNECTOR	
15	AG515698	3	WASHER LOCK ELEC CONNECTOR	
16	AG553557	AR	TIE CABLE 7.37 .06-1.37 BLACK	
17	AG518989	AR	SEALANT NONCORROSIVE 10.3 OZ	
18	AG517743	1	SEAL PERIPHERAL 17 SHELL	
19	AG309580	1	CONNECTIONS COVER WELDMENT	
20	AG517742	4	SEAL PERIPHERAL 23 SHELL	
21	AG125078	-	SOLENOID-RWK,EXH BRAKE	SEE PAGE 6-6
22	AG121751	1	MODULE-REMOTE THROTTLE	[A]
23	AG122239	1	BRACKET-REMOT THROTTLE MODULE	
24	AG562067	2	SCREW 8-32X 0.75 MA SS SL RHD	
25	AG027275	2	NUT,NY-LOCK 1/4-20 SS HX (P)	
26	AG563176	2	NUT-8-32,SS,NYLOCK,HEX	
27	AG604167	1	BOLT 0.37-16NCX 1.25 S.S. HHD	
28	AG562065	1	NUT 0.37-16NC HEX SS REG	
29	AG562050	1	WASHER LK 0.37 SS REG	
30	AG562072	1	WASHER 0.37 FL SS SAE	
31	AG562237	4	CLAMP CTD 0.75IDX0.75WIDE	
32	AG562327	2	BOLT M6-1.00X20MM G8.8 ZN HHD	
33	AG424327	-	HARNESS-BOOM REST	
34	AG420121	1	HARNESS-GAUGE,LAMPS	
35	AG123597	1	HARNESS-LIGHT,WAIT TO START	
36	AG123794	1	GUARD,HEATER HOSE	
37	AG562049	2	BOLT 0.31-18NCX 0.75 S.S. HHD	
38	AG551015	2	WASHER 0.31 FL ZN REG TYPE-B	
39	AG550205	2	WASHER LK 0.31 ZN REG	
40	AG562090	2	NUT 0.31-18NC HEX SS REG	
41	AG561793	1	HOSE CLAMP RUBBER COATED	
42	AG550507	2	WASHER FL 0.25 ZN REG TYPE-B	
43	AG550493	2	WASHER LK 0.25 ZN REG	
44	AG563185	1	WASHER-LOCK,#10,EXT,ZN	
45	AG562047	1	BOLT 0.25-20NCX 0.50 S.S. HHD	
	FOOTNOTE [A]		MODULE HAS NO SERVICE PARTS	



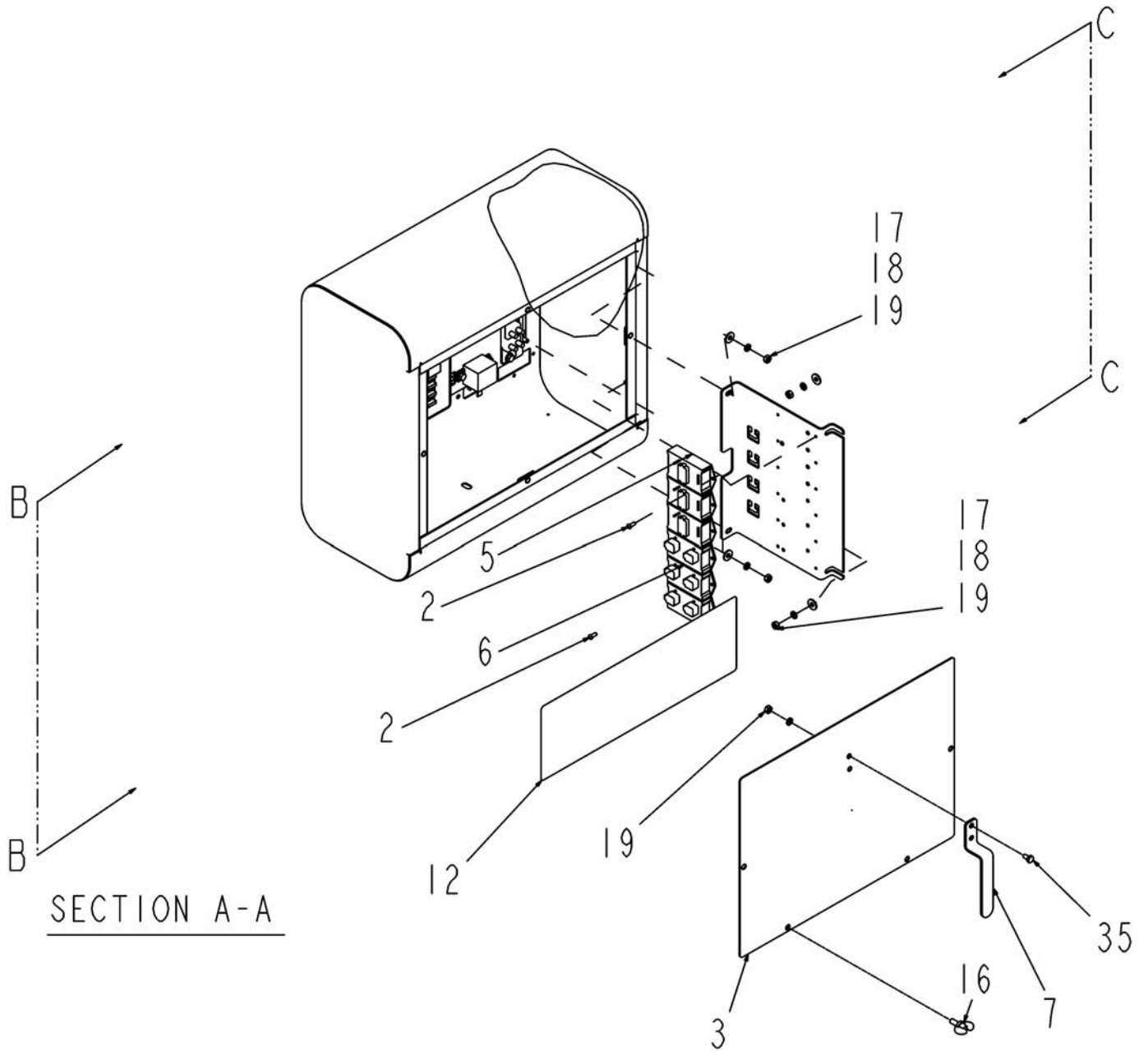
ITEM	PART #	QTY	DESCRIPTION	COMMENTS
1	AG121714	1	HARNESS-ADAPTER,864	
2	AG121715	1	HARNESS-ENGINE ELECTRICAL	
3	AG132560	1	HARN-ENG ELECTRONICS,CHASSIS	
4	AG124863	1	HARNESS-LIGHTING,CHASSIS,864	
5	AG124867	1	HARNESS-DRIVE CONTROL,CHASSIS	
6	505567D1	1	HARNESS-CHASSIS,864	
7	AG122019	1	HARNESS-ROAD LIGHTS,864	
8	AG550485	2	BOLT.25-20NCX.75 G5 ZN HHD	
9	AG562054	3	BOLT 0.25-20NCX 0.75 S.S. HHD	
10	AG515121	4	WASHER 0.25 FL SS REG	
11	AG515122	3	WASHER LK 0.25 SS REG	
12	AG515123	2	NUT 0.25-20NC HEX SS REG	
13	AG561895	1	CLAMP 1.50 HOSE COATED	
14	AG515697	3	NUT PANEL ELEC CONNECTOR	
15	AG515698	3	WASHER LOCK ELEC CONNECTOR	
16	AG553557	AR	TIE CABLE 7.37 .06-1.37 BLACK	
17	AG518989	AR	SEALANT NONCORROSIVE 10.3 OZ	
18	AG517743	1	SEAL PERIPHERAL 17 SHELL	
19	AG309580	1	CONNECTIONS COVER WELDMENT	
20	AG517742	4	SEAL PERIPHERAL 23 SHELL	
21	AG125078	-	SOLENOID-RWK,EXH BRAKE	SEE PAGE 6-6
22	AG121751	1	MODULE-REMOTE THROTTLE	[A]
23	AG122239	1	BRACKET-REMOT THROTTLE MODULE	
24	AG562067	2	SCREW 8-32X 0.75 MA SS SL RHD	
25	AG027275	2	NUT,NY-LOCK 1/4-20 SS HX (P)	
26	AG563176	2	NUT-8-32,SS,NYLOCK,HEX	
27	AG604167	1	BOLT 0.37-16NCX 1.25 S.S. HHD	
28	AG562065	1	NUT 0.37-16NC HEX SS REG	
29	AG562050	1	WASHER LK 0.37 SS REG	
30	AG562072	1	WASHER 0.37 FL SS SAE	
31	AG562237	4	CLAMP CTD 0.75IDX0.75WIDE	
32	AG562327	2	BOLT M6-1.00X20MM G8.8 ZN HHD	
33	AG424327	-	HARNESS-BOOM REST	
34	AG420121	1	HARNESS-GAUGE,LAMPS	
35	AG123597	1	HARNESS-LIGHT,WAIT TO START	
36	AG123794	1	GUARD,HEATER HOSE	
37	AG562049	2	BOLT 0.31-18NCX 0.75 S.S. HHD	
38	AG551015	2	WASHER 0.31 FL ZN REG TYPE-B	
39	AG550205	2	WASHER LK 0.31 ZN REG	
40	AG562090	2	NUT 0.31-18NC HEX SS REG	
41	AG561793	1	HOSE CLAMP RUBBER COATED	
42	AG550507	2	WASHER FL 0.25 ZN REG TYPE-B	
43	AG550493	2	WASHER LK 0.25 ZN REG	
44	AG563185	1	WASHER-LOCK,#10,EXT,ZN	
45	AG562047	1	BOLT 0.25-20NCX 0.50 S.S. HHD	
	FOOTNOTE [A]		MODULE HAS NO SERVICE PARTS	



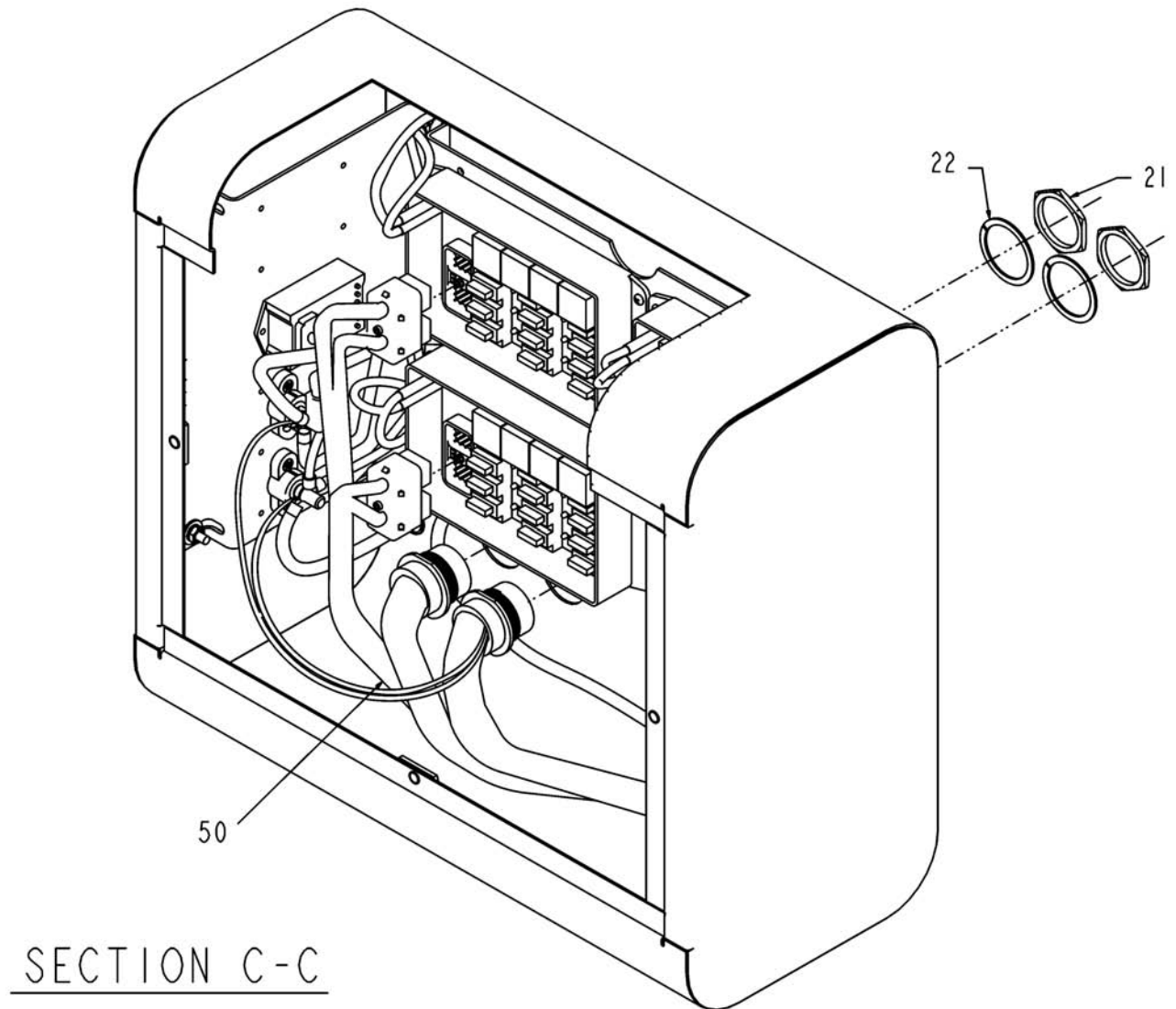
ITEM	PART #	QTY	DESCRIPTION	COMMENTS
1	AG121714	1	HARNESS-ADAPTER,864	
2	AG121715	1	HARNESS-ENGINE ELECTRICAL	
3	AG132560	1	HARN-ENG ELECTRONICS,CHASSIS	
4	AG124863	1	HARNESS-LIGHTING,CHASSIS,864	
5	AG124867	1	HARNESS-DRIVE CONTROL,CHASSIS	
6	505567D1	1	HARNESS-CHASSIS,864	
7	AG122019	1	HARNESS-ROAD LIGHTS,864	
8	AG550485	2	BOLT.25-20NCX.75 G5 ZN HHD	
9	AG562054	3	BOLT 0.25-20NCX 0.75 S.S. HHD	
10	AG515121	4	WASHER 0.25 FL SS REG	
11	AG515122	3	WASHER LK 0.25 SS REG	
12	AG515123	2	NUT 0.25-20NC HEX SS REG	
13	AG561895	1	CLAMP 1.50 HOSE COATED	
14	AG515697	3	NUT PANEL ELEC CONNECTOR	
15	AG515698	3	WASHER LOCK ELEC CONNECTOR	
16	AG553557	AR	TIE CABLE 7.37 .06-1.37 BLACK	
17	AG518989	AR	SEALANT NONCORROSIVE 10.3 OZ	
18	AG517743	1	SEAL PERIPHERAL 17 SHELL	
19	AG309580	1	CONNECTIONS COVER WELDMENT	
20	AG517742	4	SEAL PERIPHERAL 23 SHELL	
21	AG125078	-	SOLENOID-RWK,EXH BRAKE	SEE PAGE 6-6
22	AG121751	1	MODULE-REMOTE THROTTLE	[A]
23	AG122239	1	BRACKET-REMOT THROTTLE MODULE	
24	AG562067	2	SCREW 8-32X 0.75 MA SS SL RHD	
25	AG027275	2	NUT,NY-LOCK 1/4-20 SS HX (P)	
26	AG563176	2	NUT-8-32,SS,NYLOCK,HEX	
27	AG604167	1	BOLT 0.37-16NCX 1.25 S.S. HHD	
28	AG562065	1	NUT 0.37-16NC HEX SS REG	
29	AG562050	1	WASHER LK 0.37 SS REG	
30	AG562072	1	WASHER 0.37 FL SS SAE	
31	AG562237	4	CLAMP CTD 0.75IDX0.75WIDE	
32	AG562327	2	BOLT M6-1.00X20MM G8.8 ZN HHD	
33	AG424327	-	HARNESS-BOOM REST	
34	AG420121	1	HARNESS-GAUGE,LAMPS	
35	AG123597	1	HARNESS-LIGHT,WAIT TO START	
36	AG123794	1	GUARD,HEATER HOSE	
37	AG562049	2	BOLT 0.31-18NCX 0.75 S.S. HHD	
38	AG551015	2	WASHER 0.31 FL ZN REG TYPE-B	
39	AG550205	2	WASHER LK 0.31 ZN REG	
40	AG562090	2	NUT 0.31-18NC HEX SS REG	
41	AG561793	1	HOSE CLAMP RUBBER COATED	
42	AG550507	2	WASHER FL 0.25 ZN REG TYPE-B	
43	AG550493	2	WASHER LK 0.25 ZN REG	
44	AG563185	1	WASHER-LOCK,#10,EXT,ZN	
45	AG562047	1	BOLT 0.25-20NCX 0.50 S.S. HHD	
	FOOTNOTE [A]		MODULE HAS NO SERVICE PARTS	



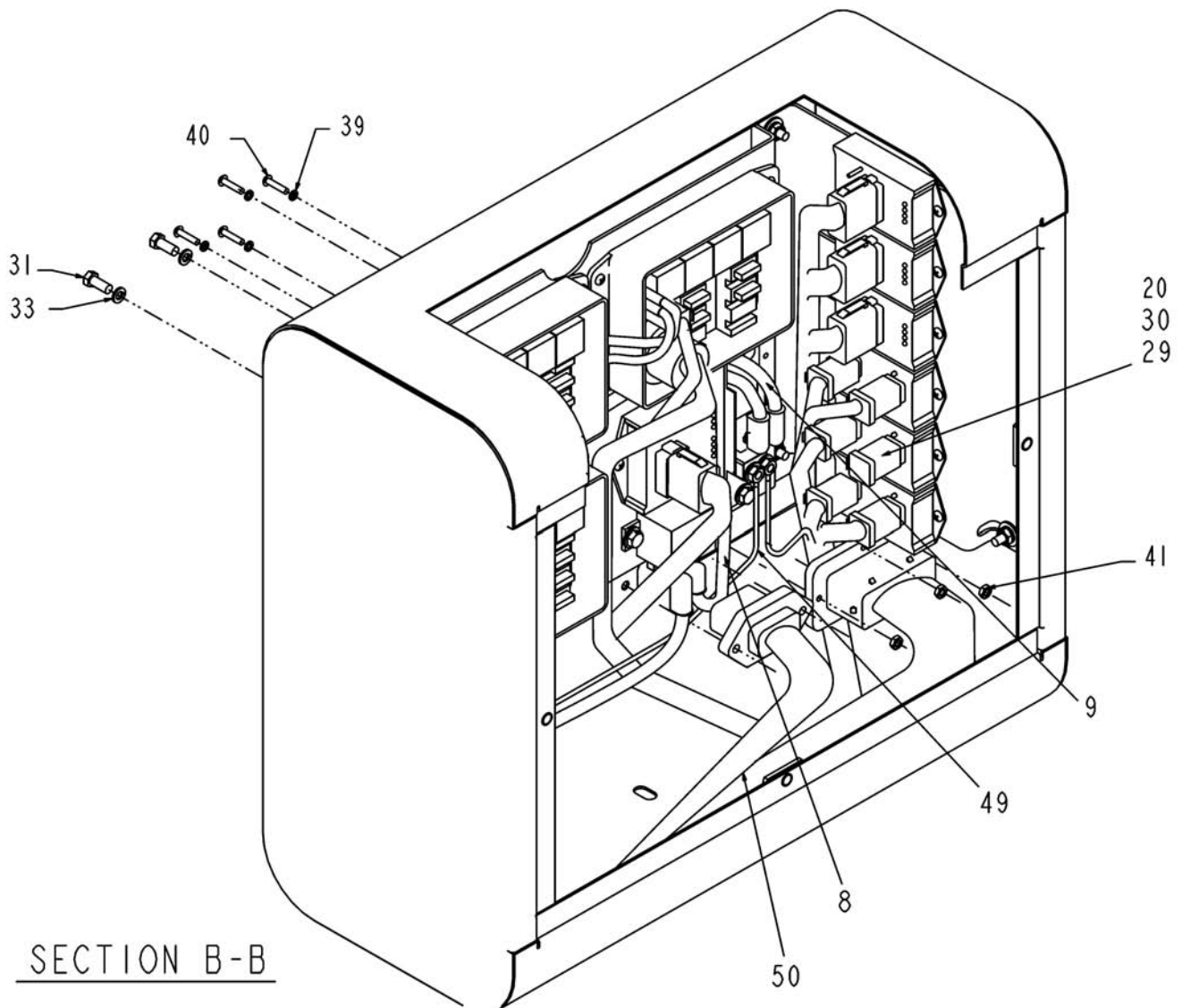
ITEM	PART #	QTY	DESCRIPTION	COMMENTS
1	AG026642	1	BREAKER,CIRCUIT 15AMP (D)	
2	AG029293	26	SCREW 10-24X0.50 TAP IWHTD	
3	AG121126	1	DOOR ELECTRICAL BOX	
4	AG121160	2	PANEL-POWER DIST	
5	AG121749	2	MODULE-RELAY,4 PACK,NO	[A]
6	AG121750	3	MODULE-RELAY,2 PACK	
7	AG122059	1	HANDLE,ELECTRICAL BOX	
8	AG122305	1	CABLE-RELAY,CKT BKT,HVAC	
9	AG122306	1	CABLE-PWR STUD,CKT BKR,HVAC	
10	AG124451	2	MODULE-POWER DIST,11 FUSE	SEE PAGE 9-8
11	AG124452	1	MODULE-POWER DIST,HI CURRENT	SEE PAGE 9-9
12	AG125505	1	DECAL-FUSE BLOCK	
13	AG125547	1	MODULE-STOP/TURN	
14	AG131760	2	PANEL-SIDE,ELEC CABINET	
15	AG131761	-	BOX-WLDMT,ELECTRICAL	
16	AG133274	4	SCREW-THUMB,.31-18NCX.75 ZY	
17	AG515121	12	WASHER 0.25 FL SS REG	
18	AG515122	14	WASHER LK 0.25 SS REG	
19	AG515123	14	NUT 0.25-20NC HEX SS REG	
20	AG515669	6	PLUG-SEAL,SIZE 16 CONTACT	
21	AG515697	2	NUT PANEL ELEC CONNECTOR	
22	AG515698	2	WASHER LOCK ELEC CONNECTOR	
23	AG516864	1	RELAY-ELEC,12VDC,75AMP	[B]
24	AG517431	1	BREAKER 50A CYCLING CIRCUIT	
25	AG517433	1	MOUNTING BRACKET CIRCUIT BRKR	
26	AG520092	1	JUNCTION BLOCK-STUD TYPE,BLK	
27	AG520093	1	JUNCTION BLOCK-STUD TYPE,RED	
28	AG520140	1	FUSE 1A BLADE ATC	
29	AG520746	1	CONN-PLUG,6 WAY,18-14 GA	
30	AG520748	1	LOCK-PLUG,6 WAY	
31	AG521728	2	BOLT-M6-1.0X16,,SS,HHD	
32	AG521974	1	STRAIN RELIEF-.200-.394 ID	
33	AG522242	2	WASHER-LK,M6,SS	
34	AG561905	4	SCREW .25-20X 0.75 TAP ZN IWHTD	
35	AG562047	2	BOLT 0.25-20NCX 0.50 S.S. HHD	
36	AG562050	2	WASHER LK 0.37 SS REG	
37	AG562061	4	NUT #10-24NC HEX SS REG	
38	AG562065	2	NUT 0.37-16NC HEX SS REG	
39	AG562066	4	WASHER #8 LK SS REG	
40	AG562067	4	SCREW 8-32X 0.75 MA SS SL RHD	
41	AG562070	41	NUT #8-32NC HEX SS REG	
42	AG562081	4	WASHER #10 LK SS REG	
43	AG562925	1	FUSE BLADE 30A ATC	
44	AG562928	1	FUSE 25A BLADE ATC	
45	AG562929	2	FUSE 20A BLADE ATC	
46	AG562930	5	FUSE 15A BLADE ATC	
47	AG562931	11	FUSE 10A BLADE ATC	
48	AG562933	4	FUSE 5A BLADE ATC	
49	AG563094	4	SCREW 10-24X0.75 PH PHS SS	
50	505566D1	1	HARNES-FUSE BLOCK,864	
51	506179D1	1	MODULE-FET,4 PACK,NO	
52	AG609645	1	BOOT .37 STUD 4 GA RED #704R	
53	AG607312	-	INSL SELF ADHES 0.12THKX0.50WD [BULK: 6.300 FT]	
54	AG125810	1	CABLE-JUMPER,CONV,PWR	
	FOOTNOTE [A]		AG719617 - RELAYS (4)	
	FOOTNOTE [B]		SEE TECH BULLETN 9823	
	FOOTNOTE [B]		SEE TECH BULLETIN 9864 FOR HEAD RINSE, RELAY INFO. 75 AMP RELAY	



ITEM	PART #	QTY	DESCRIPTION	COMMENTS
1	AG026642	1	BREAKER,CIRCUIT 15AMP (D)	
2	AG029293	26	SCREW 10-24X0.50 TAP IWHHDD	
3	AG121126	1	DOOR ELECTRICAL BOX	
4	AG121160	2	PANEL-POWER DIST	
5	AG121749	2	MODULE-RELAY,4 PACK,NO	[A]
6	AG121750	3	MODULE-RELAY,2 PACK	
7	AG122059	1	HANDLE,ELECTRICAL BOX	
8	AG122305	1	CABLE-RELAY,CKT BKT,HVAC	
9	AG122306	1	CABLE-PWR STUD,CKT BKR,HVAC	
10	AG124451	2	MODULE-POWER DIST,11 FUSE	SEE PAGE 9-8
11	AG124452	1	MODULE-POWER DIST,HI CURRENT	SEE PAGE 9-9
12	AG125505	1	DECAL-FUSE BLOCK	
13	AG125547	1	MODULE-STOP/TURN	
14	AG131760	2	PANEL-SIDE,ELEC CABINET	
15	AG131761	-	BOX-WLDMT,ELECTRICAL	
16	AG133274	4	SCREW-THUMB,.31-18NCX.75 ZY	
17	AG515121	12	WASHER 0.25 FL SS REG	
18	AG515122	14	WASHER LK 0.25 SS REG	
19	AG515123	14	NUT 0.25-20NC HEX SS REG	
20	AG515669	6	PLUG-SEAL,SIZE 16 CONTACT	
21	AG515697	2	NUT PANEL ELEC CONNECTOR	
22	AG515698	2	WASHER LOCK ELEC CONNECTOR	
23	AG516864	1	RELAY-ELEC,12VDC,75AMP	[B]
24	AG517431	1	BREAKER 50A CYCLING CIRCUIT	
25	AG517433	1	MOUNTING BRACKET CIRCUIT BRKR	
26	AG520092	1	JUNCTION BLOCK-STUD TYPE,BLK	
27	AG520093	1	JUNCTION BLOCK-STUD TYPE,RED	
28	AG520140	1	FUSE 1A BLADE ATC	
29	AG520746	1	CONN-PLUG,6 WAY,18-14 GA	
30	AG520748	1	LOCK-PLUG,6 WAY	
31	AG521728	2	BOLT-M6-1.0X16,,SS,HHD	
32	AG521974	1	STRAIN RELIEF-.200-.394 ID	
33	AG522242	2	WASHER-LK,M6,SS	
34	AG561905	4	SCREW .25-20X 0.75 TAP ZN IWHD	
35	AG562047	2	BOLT 0.25-20NCX 0.50 S.S. HHD	
36	AG562050	2	WASHER LK 0.37 SS REG	
37	AG562061	4	NUT #10-24NC HEX SS REG	
38	AG562065	2	NUT 0.37-16NC HEX SS REG	
39	AG562066	4	WASHER #8 LK SS REG	
40	AG562067	4	SCREW 8-32X 0.75 MA SS SL RHD	
41	AG562070	41	NUT #8-32NC HEX SS REG	
42	AG562081	4	WASHER #10 LK SS REG	
43	AG562925	1	FUSE BLADE 30A ATC	
44	AG562928	1	FUSE 25A BLADE ATC	
45	AG562929	2	FUSE 20A BLADE ATC	
46	AG562930	5	FUSE 15A BLADE ATC	
47	AG562931	11	FUSE 10A BLADE ATC	
48	AG562933	4	FUSE 5A BLADE ATC	
49	AG563094	4	SCREW 10-24X0.75 PH PHS SS	
50	505566D1	1	HARNESS-FUSE BLOCK,864	
51	506179D1	1	MODULE-FET,4 PACK,NO	
52	AG609645	1	BOOT .37 STUD 4 GA RED #704R	
53	AG607312	-	INSL SELF ADHES 0.12THX0.50WD [BULK: 6.300 FT]	
54	AG125810	1	CABLE-JUMPER,CONV,PWR	
	FOOTNOTE [A]		AG719617 - RELAYS (4)	
	FOOTNOTE [B]		SEE TECH BULLETN 9823	
	FOOTNOTE [B]		SEE TECH BULLETIN 9864 FOR HEAD RINSE, RELAY INFO. 75 AMP RELAY	



ITEM	PART #	QTY	DESCRIPTION	COMMENTS
1	AG026642	1	BREAKER,CIRCUIT 15AMP (D)	
2	AG029293	26	SCREW 10-24X0.50 TAP IWHH	
3	AG121126	1	DOOR ELECTRICAL BOX	
4	AG121160	2	PANEL-POWER DIST	
5	AG121749	2	MODULE-RELAY,4 PACK,NO	[A]
6	AG121750	3	MODULE-RELAY,2 PACK	
7	AG122059	1	HANDLE,ELECTRICAL BOX	
8	AG122305	1	CABLE-RELAY,CKT BKT,HVAC	
9	AG122306	1	CABLE-PWR STUD,CKT BKR,HVAC	
10	AG124451	2	MODULE-POWER DIST,11 FUSE	SEE PAGE 9-8
11	AG124452	1	MODULE-POWER DIST,HI CURRENT	SEE PAGE 9-9
12	AG125505	1	DECAL-FUSE BLOCK	
13	AG125547	1	MODULE-STOP/TURN	
14	AG131760	2	PANEL-SIDE,ELEC CABINET	
15	AG131761	-	BOX-WLDMT,ELECTRICAL	
16	AG133274	4	SCREW-THUMB,.31-18NCX.75 ZY	
17	AG515121	12	WASHER 0.25 FL SS REG	
18	AG515122	14	WASHER LK 0.25 SS REG	
19	AG515123	14	NUT 0.25-20NC HEX SS REG	
20	AG515669	6	PLUG-SEAL,SIZE 16 CONTACT	
21	AG515697	2	NUT PANEL ELEC CONNECTOR	
22	AG515698	2	WASHER LOCK ELEC CONNECTOR	
23	AG516864	1	RELAY-ELEC,12VDC,75AMP	[B]
24	AG517431	1	BREAKER 50A CYCLING CIRCUIT	
25	AG517433	1	MOUNTING BRACKET CIRCUIT BRKR	
26	AG520092	1	JUNCTION BLOCK-STUD TYPE,BLK	
27	AG520093	1	JUNCTION BLOCK-STUD TYPE,RED	
28	AG520140	1	FUSE 1A BLADE ATC	
29	AG520746	1	CONN-PLUG,6 WAY,18-14 GA	
30	AG520748	1	LOCK-PLUG,6 WAY	
31	AG521728	2	BOLT-M6-1.0X16,,SS,HHD	
32	AG521974	1	STRAIN RELIEF-.200-.394 ID	
33	AG522242	2	WASHER-LK,M6,SS	
34	AG561905	4	SCREW .25-20X 0.75 TAP ZN IWHD	
35	AG562047	2	BOLT 0.25-20NCX 0.50 S.S. HHD	
36	AG562050	2	WASHER LK 0.37 SS REG	
37	AG562061	4	NUT #10-24NC HEX SS REG	
38	AG562065	2	NUT 0.37-16NC HEX SS REG	
39	AG562066	4	WASHER #8 LK SS REG	
40	AG562067	4	SCREW 8-32X 0.75 MA SS SL RHD	
41	AG562070	41	NUT #8-32NC HEX SS REG	
42	AG562081	4	WASHER #10 LK SS REG	
43	AG562925	1	FUSE BLADE 30A ATC	
44	AG562928	1	FUSE 25A BLADE ATC	
45	AG562929	2	FUSE 20A BLADE ATC	
46	AG562930	5	FUSE 15A BLADE ATC	
47	AG562931	11	FUSE 10A BLADE ATC	
48	AG562933	4	FUSE 5A BLADE ATC	
49	AG563094	4	SCREW 10-24X0.75 PH PHS SS	
50	505566D1	1	HARNES-FUSE BLOCK,864	
51	506179D1	1	MODULE-FET,4 PACK,NO	
52	AG609645	1	BOOT .37 STUD 4 GA RED #704R	
53	AG607312	-	INSL SELF ADHES 0.12THKX0.50WD [BULK: 6.300 FT]	
54	AG125810	1	CABLE-JUMPER,CONV,PWR	
	FOOTNOTE [A]		AG719617 - RELAYS (4)	
	FOOTNOTE [B]		SEE TECH BULLETN 9823	
	FOOTNOTE [B]		SEE TECH BULLETIN 9864 FOR HEAD RINSE, RELAY INFO. 75 AMP RELAY	



ITEM	PART #	QTY	DESCRIPTION	COMMENTS
1	AG026642	1	BREAKER,CIRCUIT 15AMP (D)	
2	AG029293	26	SCREW 10-24X0.50 TAP IWHHD	
3	AG121126	1	DOOR ELECTRICAL BOX	
4	AG121160	2	PANEL-POWER DIST	
5	AG121749	2	MODULE-RELAY,4 PACK,NO	[A]
6	AG121750	3	MODULE-RELAY,2 PACK	
7	AG122059	1	HANDLE,ELECTRICAL BOX	
8	AG122305	1	CABLE-RELAY,CKT BKT,HVAC	
9	AG122306	1	CABLE-PWR STUD,CKT BKR,HVAC	
10	AG124451	2	MODULE-POWER DIST,11 FUSE	SEE PAGE 9-8
11	AG124452	1	MODULE-POWER DIST,HI CURRENT	SEE PAGE 9-9
12	AG125505	1	DECAL-FUSE BLOCK	
13	AG125547	1	MODULE-STOP/TURN	
14	AG131760	2	PANEL-SIDE,ELEC CABINET	
15	AG131761	-	BOX-WLDMT,ELECTRICAL	
16	AG133274	4	SCREW-THUMB,.31-18NCX.75 ZY	
17	AG515121	12	WASHER 0.25 FL SS REG	
18	AG515122	14	WASHER LK 0.25 SS REG	
19	AG515123	14	NUT 0.25-20NC HEX SS REG	
20	AG515669	6	PLUG-SEAL,SIZE 16 CONTACT	
21	AG515697	2	NUT PANEL ELEC CONNECTOR	
22	AG515698	2	WASHER LOCK ELEC CONNECTOR	
23	AG516864	1	RELAY-ELEC,12VDC,75AMP	[B]
24	AG517431	1	BREAKER 50A CYCLING CIRCUIT	
25	AG517433	1	MOUNTING BRACKET CIRCUIT BRKR	
26	AG520092	1	JUNCTION BLOCK-STUD TYPE,BLK	
27	AG520093	1	JUNCTION BLOCK-STUD TYPE,RED	
28	AG520140	1	FUSE 1A BLADE ATC	
29	AG520746	1	CONN-PLUG,6 WAY,18-14 GA	
30	AG520748	1	LOCK-PLUG,6 WAY	
31	AG521728	2	BOLT-M6-1.0X16,,SS,HHD	
32	AG521974	1	STRAIN RELIEF-.200-.394 ID	
33	AG522242	2	WASHER-LK,M6,SS	
34	AG561905	4	SCREW .25-20X 0.75 TAP ZN IWHD	
35	AG562047	2	BOLT 0.25-20NCX 0.50 S.S. HHD	
36	AG562050	2	WASHER LK 0.37 SS REG	
37	AG562061	4	NUT #10-24NC HEX SS REG	
38	AG562065	2	NUT 0.37-16NC HEX SS REG	
39	AG562066	4	WASHER #8 LK SS REG	
40	AG562067	4	SCREW 8-32X 0.75 MA SS SL RHD	
41	AG562070	41	NUT #8-32NC HEX SS REG	
42	AG562081	4	WASHER #10 LK SS REG	
43	AG562925	1	FUSE BLADE 30A ATC	
44	AG562928	1	FUSE 25A BLADE ATC	
45	AG562929	2	FUSE 20A BLADE ATC	
46	AG562930	5	FUSE 15A BLADE ATC	
47	AG562931	11	FUSE 10A BLADE ATC	
48	AG562933	4	FUSE 5A BLADE ATC	
49	AG563094	4	SCREW 10-24X0.75 PH PHS SS	
50	505566D1	1	HARNES-FUSE BLOCK,864	
51	506179D1	1	MODULE-FET,4 PACK,NO	
52	AG609645	1	BOOT .37 STUD 4 GA RED #704R	
53	AG607312	-	INSL SELF ADHES 0.12THKX0.50WD [BULK: 6.300 FT]	
54	AG125810	1	CABLE-JUMPER,CONV,PWR	
	FOOTNOTE [A]		AG719617 - RELAYS (4)	
	FOOTNOTE [B]		SEE TECH BULLETN 9823	
	FOOTNOTE [B]		SEE TECH BULLETIN 9864 FOR HEAD RINSE, RELAY INFO. 75 AMP RELAY	

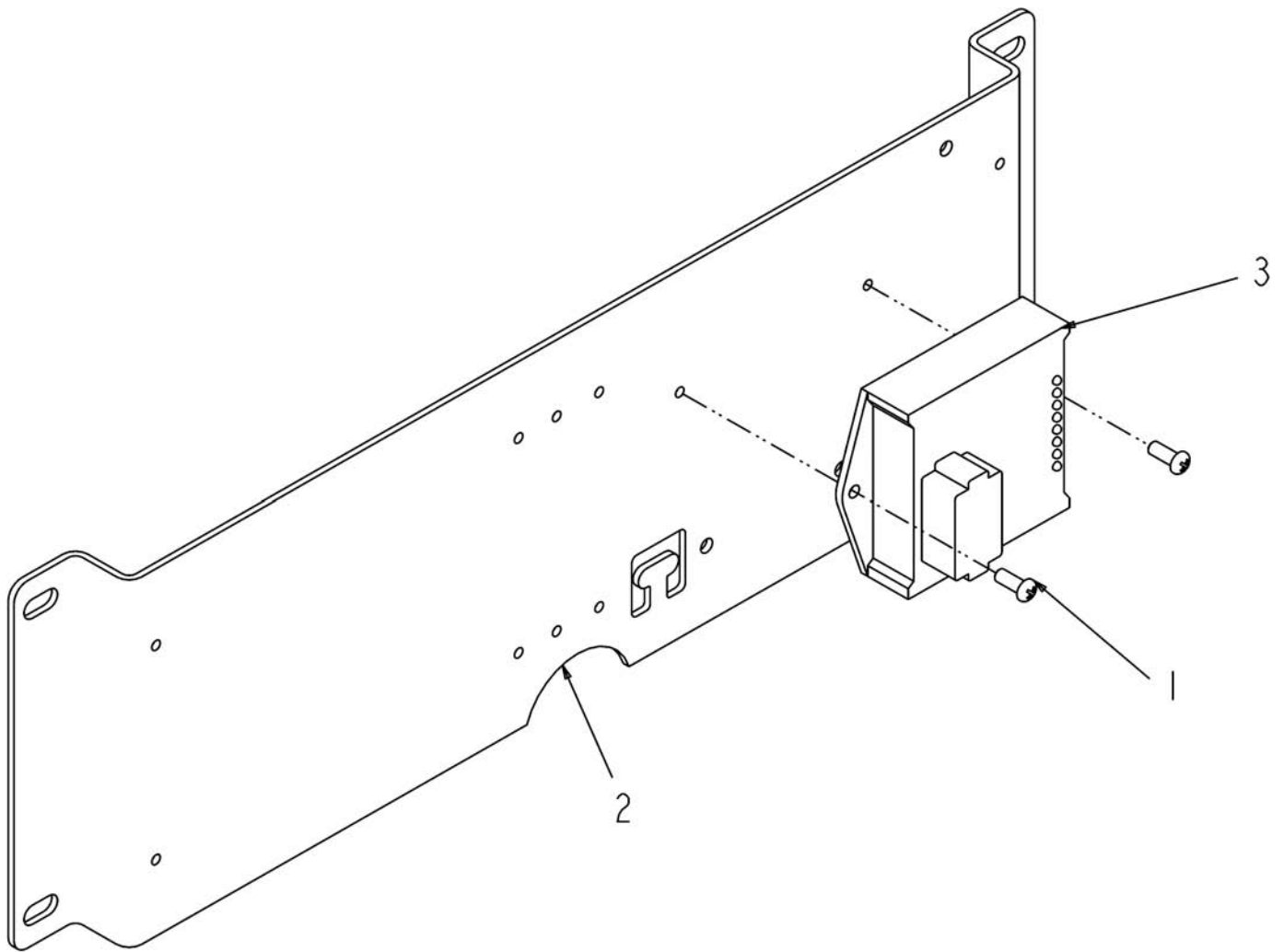
PDMI FUSE CHART		
FUSE #	FUSE SIZE IN AMPS	ITEM #
F1	15	46
F2	15	46
F3	15	46
F4	15	46
F5	10	47
F6	10	47
F7	5	48
F8	10	47
F9	10	47
F10	5	48
F11	1	28

PDM2 FUSE CHART		
FUSE #	FUSE SIZE IN AMPS	ITEM #
F1	10	47
F2	10	47
F3	10	47
F4	5	48
F5	5	48
F6	10	47
F7	10	47
F8	15	46
F9	10	47
F10	10	47
F11	5	48

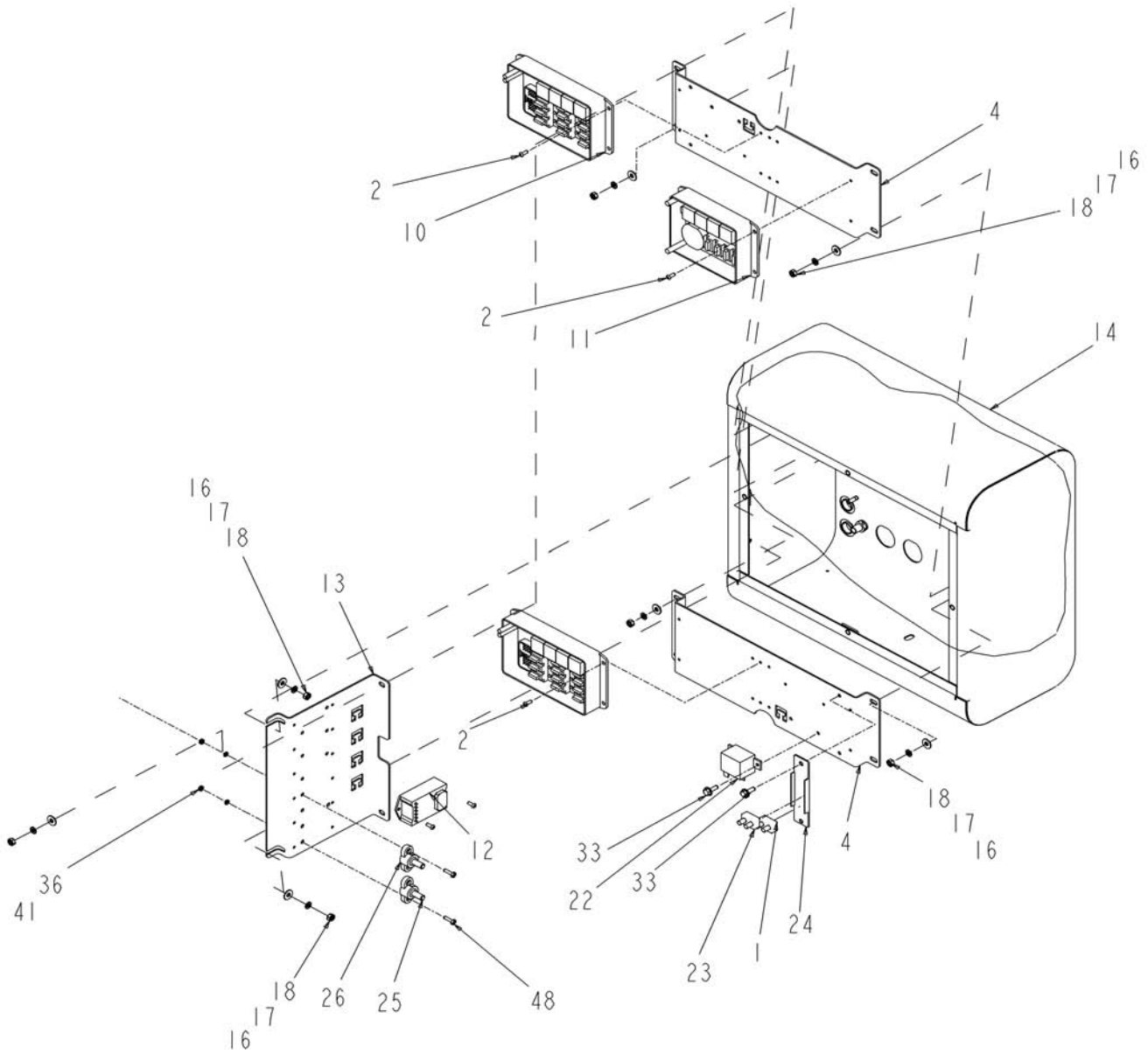
PDM3 FUSE CHART		
FUSE #	FUSE SIZE IN AMPS	ITEM #
F1	25	44
F2	20	45
F3	30	43
F4	20	45

CURCUIT BREAKER CHART		
CB #	CB SIZE IN AMPS	ITEM #
CB-1	50	24
CB-2	15	1

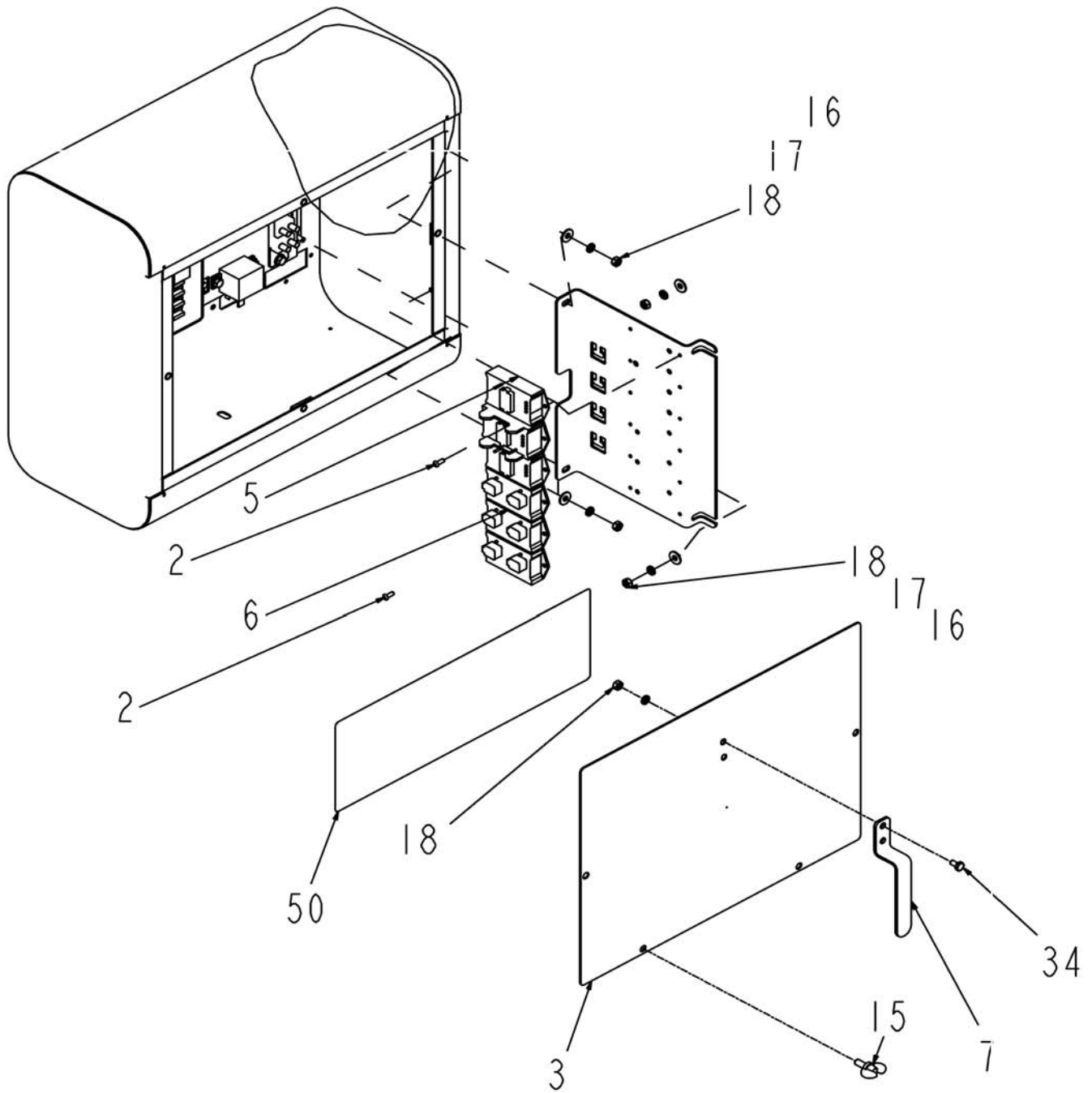
ITEM	PART #	QTY	DESCRIPTION	COMMENTS
1	AG026642	1	BREAKER,CIRCUIT 15AMP (D)	
2	AG029293	26	SCREW 10-24X0.50 TAP IWHHD	
3	AG121126	1	DOOR ELECTRICAL BOX	
4	AG121160	2	PANEL-POWER DIST	
5	AG121749	2	MODULE-RELAY,4 PACK,NO	[A]
6	AG121750	3	MODULE-RELAY,2 PACK	
7	AG122059	1	HANDLE,ELECTRICAL BOX	
8	AG122305	1	CABLE-RELAY,CKT BKT,HVAC	
9	AG122306	1	CABLE-PWR STUD,CKT BKR,HVAC	
10	AG124451	2	MODULE-POWER DIST,11 FUSE	SEE PAGE 9-8
11	AG124452	1	MODULE-POWER DIST,HI CURRENT	SEE PAGE 9-9
12	AG125505	1	DECAL-FUSE BLOCK	
13	AG125547	1	MODULE-STOP/TURN	
14	AG131760	2	PANEL-SIDE,ELEC CABINET	
15	AG131761	-	BOX-WLDMT,ELECTRICAL	
16	AG133274	4	SCREW-THUMB,.31-18NCX.75 ZY	
17	AG515121	12	WASHER 0.25 FL SS REG	
18	AG515122	14	WASHER LK 0.25 SS REG	
19	AG515123	14	NUT 0.25-20NC HEX SS REG	
20	AG515669	6	PLUG-SEAL,SIZE 16 CONTACT	
21	AG515697	2	NUT PANEL ELEC CONNECTOR	
22	AG515698	2	WASHER LOCK ELEC CONNECTOR	
23	AG516864	1	RELAY-ELEC,12VDC,75AMP	[B]
24	AG517431	1	BREAKER 50A CYCLING CIRCUIT	
25	AG517433	1	MOUNTING BRACKET CIRCUIT BRKR	
26	AG520092	1	JUNCTION BLOCK-STUD TYPE,BLK	
27	AG520093	1	JUNCTION BLOCK-STUD TYPE,RED	
28	AG520140	1	FUSE 1A BLADE ATC	
29	AG520746	1	CONN-PLUG,6 WAY,18-14 GA	
30	AG520748	1	LOCK-PLUG,6 WAY	
31	AG521728	2	BOLT-M6-1.0X16,,SS,HHD	
32	AG521974	1	STRAIN RELIEF-.200-.394 ID	
33	AG522242	2	WASHER-LK,M6,SS	
34	AG561905	4	SCREW .25-20X 0.75 TAP ZN IWHD	
35	AG562047	2	BOLT 0.25-20NCX 0.50 S.S. HHD	
36	AG562050	2	WASHER LK 0.37 SS REG	
37	AG562061	4	NUT #10-24NC HEX SS REG	
38	AG562065	2	NUT 0.37-16NC HEX SS REG	
39	AG562066	4	WASHER #8 LK SS REG	
40	AG562067	4	SCREW 8-32X 0.75 MA SS SL RHD	
41	AG562070	41	NUT #8-32NC HEX SS REG	
42	AG562081	4	WASHER #10 LK SS REG	
43	AG562925	1	FUSE BLADE 30A ATC	
44	AG562928	1	FUSE 25A BLADE ATC	
45	AG562929	2	FUSE 20A BLADE ATC	
46	AG562930	5	FUSE 15A BLADE ATC	
47	AG562931	11	FUSE 10A BLADE ATC	
48	AG562933	4	FUSE 5A BLADE ATC	
49	AG563094	4	SCREW 10-24X0.75 PH PHS SS	
50	505566D1	1	HARNES-FUSE BLOCK,864	
51	506179D1	1	MODULE-FET,4 PACK,NO	
52	AG609645	1	BOOT .37 STUD 4 GA RED #704R	
53	AG607312	-	INSL SELF ADHES 0.12THKX0.50WD [BULK: 6.300 FT]	
54	AG125810	1	CABLE-JUMPER,CONV,PWR	
	FOOTNOTE [A]		AG719617 - RELAYS (4)	
	FOOTNOTE [B]		SEE TECH BULLETN 9823	
	FOOTNOTE [B]		SEE TECH BULLETIN 9864 FOR HEAD RINSE, RELAY INFO. 75 AMP RELAY	



ITEM	PART #	QTY	DESCRIPTION	COMMENTS
1	AG029293	2	SCREW 10-24X0.50 TAP IWHHH	
2	AG121160	-	PANEL-POWER DIST	
3	AG121748	1	MODULE-FLASHER,DUAL RATE	[A]
	FOOTNOTE [A]		RELAY IS POTTED, NOT REPLACABLE, MUST REPLACE MODULE	

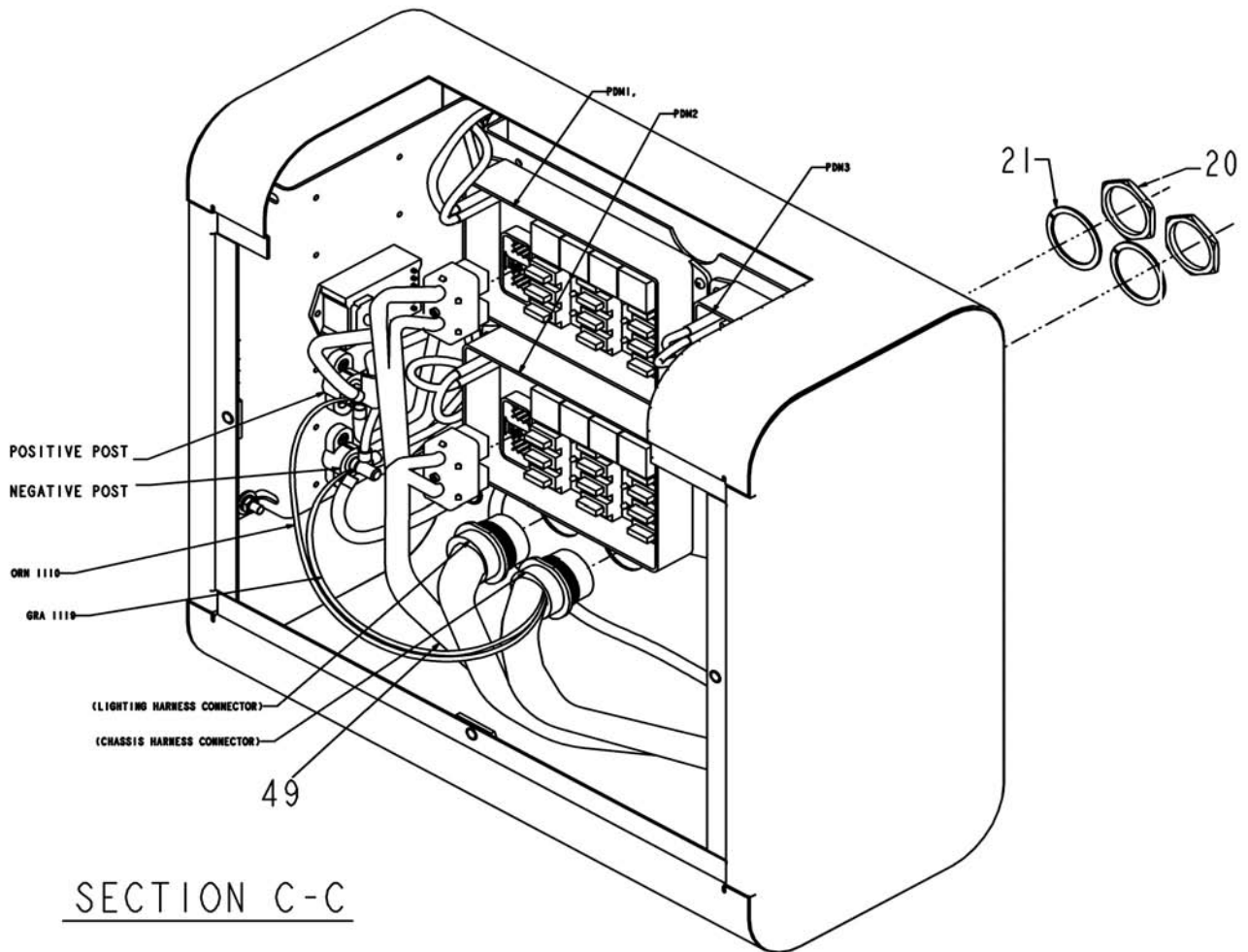


ITEM	PART #	QTY	DESCRIPTION	COMMENTS
1	AG026642	1	BREAKER,CIRCUIT 15AMP (D)	
2	AG029293	26	SCREW 10-24X0.50 TAP IWHTD	
3	AG121126	1	DOOR ELECTRICAL BOX	
4	AG121160	2	PANEL-POWER DIST	
5	AG121749	2	MODULE-RELAY,4 PACK,NO	[A]
6	AG121750	3	MODULE-RELAY,2 PACK	
7	AG122059	1	HANDLE,ELECTRICAL BOX	
8	AG122305	1	CABLE-RELAY,CKT BKT,HVAC	
9	AG122306	1	CABLE-PWR STUD,CKT BKR,HVAC	
10	AG124451	2	MODULE-POWER DIST,11 FUSE	SEE PAGE 9-8
11	AG124452	1	MODULE-POWER DIST,HI CURRENT	SEE PAGE 9-9
12	AG125547	1	MODULE-STOP/TURN	
13	AG131760	2	PANEL-SIDE,ELEC CABINET	
14	AG131761	-	BOX-WLDMT,ELECTRICAL	
15	AG133274	4	SCREW-THUMB,,31-18NCX.75 ZY	
16	AG515121	12	WASHER 0.25 FL SS REG	
17	AG515122	14	WASHER LK 0.25 SS REG	
18	AG515123	14	NUT 0.25-20NC HEX SS REG	
19	AG515669	6	PLUG-SEAL,SIZE 16 CONTACT	
20	AG515697	2	NUT PANEL ELEC CONNECTOR	
21	AG515698	2	WASHER LOCK ELEC CONNECTOR	
22	AG516864	1	RELAY-ELEC,12VDC,75AMP	[B]
23	AG517431	1	BREAKER 50A CYCLING CIRCUIT	
24	AG517433	1	MOUNTING BRACKET CIRCUIT BRKR	
25	AG520092	1	JUNCTION BLOCK-STUD TYPE,BLK	
26	AG520093	1	JUNCTION BLOCK-STUD TYPE,RED	
27	AG520140	1	FUSE 1A BLADE ATC	
28	AG520746	1	CONN-PLUG,6 WAY,18-14 GA	
29	AG520748	1	LOCK-PLUG,6 WAY	
30	AG521728	2	BOLT-M6-1.0X16,,SS,HHD	
31	AG521974	1	STRAIN RELIEF-.200-.394 ID	
32	AG522242	2	WASHER-LK,M6,SS	
33	AG561905	4	SCREW .25-20X 0.75 TAP ZN IWHTD	
34	AG562047	2	BOLT 0.25-20NCX 0.50 S.S. HHD	
35	AG562050	2	WASHER LK 0.37 SS REG	
36	AG562061	4	NUT #10-24NC HEX SS REG	
37	AG562065	2	NUT 0.37-16NC HEX SS REG	
38	AG562066	4	WASHER #8 LK SS REG	
39	AG562067	4	SCREW 8-32X 0.75 MA SS SL RHD	
40	AG562070	4	NUT #8-32NC HEX SS REG	
41	AG562081	4	WASHER #10 LK SS REG	
42	AG562925	1	FUSE BLADE 30A ATC	
43	AG562928	1	FUSE 25A BLADE ATC	
44	AG562929	2	FUSE 20A BLADE ATC	
45	AG562930	6	FUSE 15A BLADE ATC	
46	AG562931	10	FUSE 10A BLADE ATC	
47	AG562933	4	FUSE 5A BLADE ATC	
48	AG563094	4	SCREW 10-24X0.75 PH PHS SS	
49	505566D1	1	HARNESS-FUSE BLOCK,864	
50	505702D1	1	DECAL-FUSE BLOCK,NON DOM	
51	506179D1	1	MODULE-FET,4 PACK,NO	
52	AG609645	1	BOOT .37 STUD 4 GA RED #704R	
53	AG607312	-	INSL SELF ADHES 0.12THKX0.50WD [BULK: 6.300 FT]	
54	AG125810	1	CABLE-JUMPER,CONV,PWR	
	FOOTNOTE [A]		AG719617 - RELAYS (4)	
	FOOTNOTE [B]		SEE TECH BULLETN 9823	
	FOOTNOTE [B]		SEE TECH BULLETIN 9864 FOR HEAD RINSE, RELAY INFO. 75 AMP RELAY	

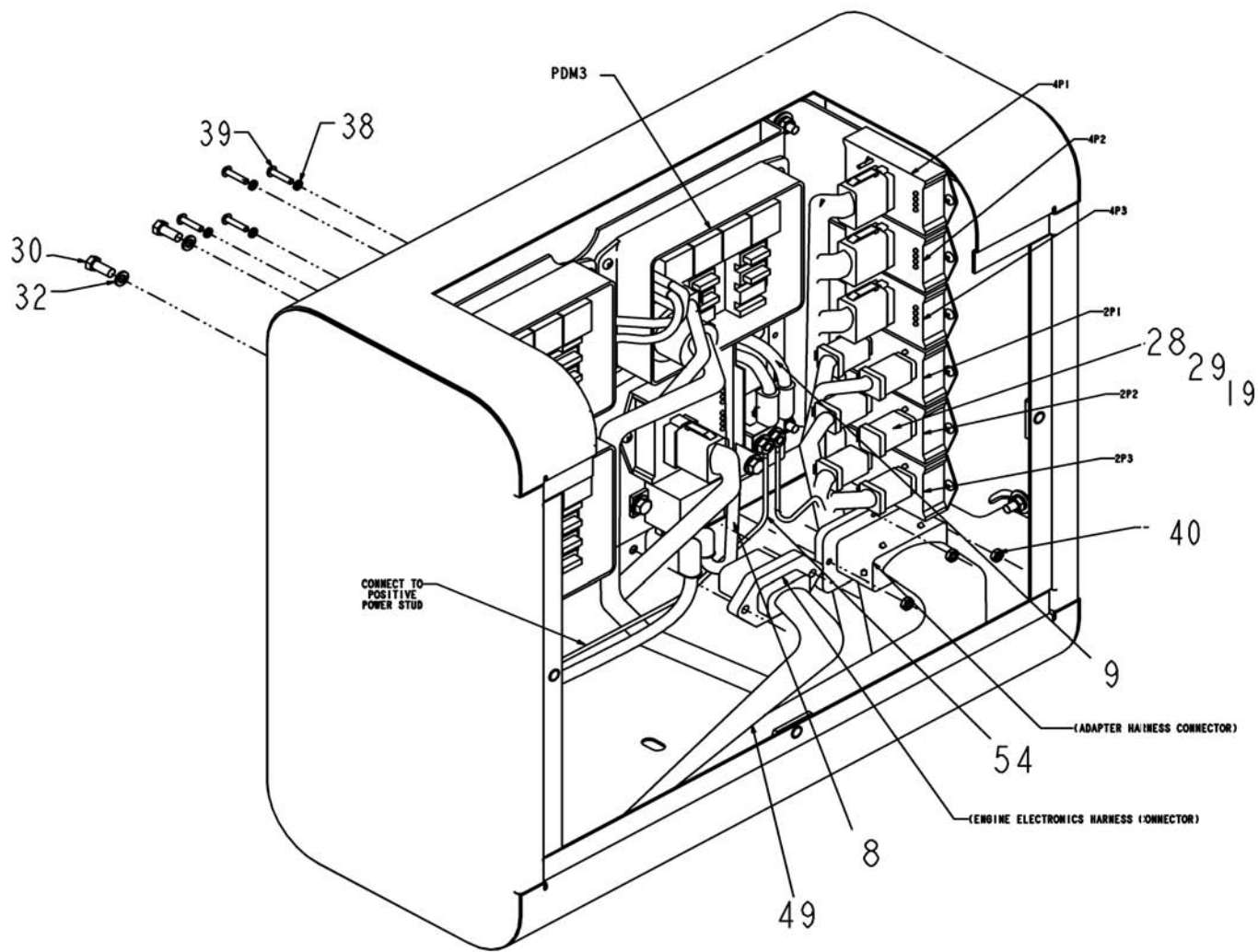


SECTION A-A

ITEM	PART #	QTY	DESCRIPTION	COMMENTS
1	AG026642	1	BREAKER,CIRCUIT 15AMP (D)	
2	AG029293	26	SCREW 10-24X0.50 TAP IWHTD	
3	AG121126	1	DOOR ELECTRICAL BOX	
4	AG121160	2	PANEL-POWER DIST	
5	AG121749	2	MODULE-RELAY,4 PACK,NO	[A]
6	AG121750	3	MODULE-RELAY,2 PACK	
7	AG122059	1	HANDLE,ELECTRICAL BOX	
8	AG122305	1	CABLE-RELAY,CKT BKT,HVAC	
9	AG122306	1	CABLE-PWR STUD,CKT BKR,HVAC	
10	AG124451	2	MODULE-POWER DIST,11 FUSE	SEE PAGE 9-8
11	AG124452	1	MODULE-POWER DIST,HI CURRENT	SEE PAGE 9-9
12	AG125547	1	MODULE-STOP/TURN	
13	AG131760	2	PANEL-SIDE,ELEC CABINET	
14	AG131761	-	BOX-WLDMT,ELECTRICAL	
15	AG133274	4	SCREW-THUMB,.31-18NCX.75 ZY	
16	AG515121	12	WASHER 0.25 FL SS REG	
17	AG515122	14	WASHER LK 0.25 SS REG	
18	AG515123	14	NUT 0.25-20NC HEX SS REG	
19	AG515669	6	PLUG-SEAL,SIZE 16 CONTACT	
20	AG515697	2	NUT PANEL ELEC CONNECTOR	
21	AG515698	2	WASHER LOCK ELEC CONNECTOR	
22	AG516864	1	RELAY-ELEC,12VDC,75AMP	[B]
23	AG517431	1	BREAKER 50A CYCLING CIRCUIT	
24	AG517433	1	MOUNTING BRACKET CIRCUIT BRKR	
25	AG520092	1	JUNCTION BLOCK-STUD TYPE,BLK	
26	AG520093	1	JUNCTION BLOCK-STUD TYPE,RED	
27	AG520140	1	FUSE 1A BLADE ATC	
28	AG520746	1	CONN-PLUG,6 WAY,18-14 GA	
29	AG520748	1	LOCK-PLUG,6 WAY	
30	AG521728	2	BOLT-M6-1.0X16,,SS,HHD	
31	AG521974	1	STRAIN RELIEF-.200-.394 ID	
32	AG522242	2	WASHER-LK,M6,SS	
33	AG561905	4	SCREW .25-20X 0.75 TAP ZN IWHTD	
34	AG562047	2	BOLT 0.25-20NCX 0.50 S.S. HHD	
35	AG562050	2	WASHER LK 0.37 SS REG	
36	AG562061	4	NUT #10-24NC HEX SS REG	
37	AG562065	2	NUT 0.37-16NC HEX SS REG	
38	AG562066	4	WASHER #8 LK SS REG	
39	AG562067	4	SCREW 8-32X 0.75 MA SS SL RHD	
40	AG562070	4	NUT #8-32NC HEX SS REG	
41	AG562081	4	WASHER #10 LK SS REG	
42	AG562925	1	FUSE BLADE 30A ATC	
43	AG562928	1	FUSE 25A BLADE ATC	
44	AG562929	2	FUSE 20A BLADE ATC	
45	AG562930	6	FUSE 15A BLADE ATC	
46	AG562931	10	FUSE 10A BLADE ATC	
47	AG562933	4	FUSE 5A BLADE ATC	
48	AG563094	4	SCREW 10-24X0.75 PH PHS SS	
49	505566D1	1	HARNESS-FUSE BLOCK,864	
50	505702D1	1	DECAL-FUSE BLOCK,NON DOM	
51	506179D1	1	MODULE-FET,4 PACK,NO	
52	AG609645	1	BOOT .37 STUD 4 GA RED #704R	
53	AG607312	-	INSL SELF ADHES 0.12THX0.50WD [BULK: 6.300 FT]	
54	AG125810	1	CABLE-JUMPER,CONV,PWR	
	FOOTNOTE [A]		AG719617 - RELAYS (4)	
	FOOTNOTE [B]		SEE TECH BULLETN 9823	
	FOOTNOTE [B]		SEE TECH BULLETIN 9864 FOR HEAD RINSE, RELAY INFO. 75 AMP RELAY	



ITEM	PART #	QTY	DESCRIPTION	COMMENTS
1	AG026642	1	BREAKER,CIRCUIT 15AMP (D)	
2	AG029293	26	SCREW 10-24X0.50 TAP IWHTD	
3	AG121126	1	DOOR ELECTRICAL BOX	
4	AG121160	2	PANEL-POWER DIST	
5	AG121749	2	MODULE-RELAY,4 PACK,NO	[A]
6	AG121750	3	MODULE-RELAY,2 PACK	
7	AG122059	1	HANDLE,ELECTRICAL BOX	
8	AG122305	1	CABLE-RELAY,CKT BKT,HVAC	
9	AG122306	1	CABLE-PWR STUD,CKT BKR,HVAC	
10	AG124451	2	MODULE-POWER DIST,11 FUSE	SEE PAGE 9-8
11	AG124452	1	MODULE-POWER DIST,HI CURRENT	SEE PAGE 9-9
12	AG125547	1	MODULE-STOP/TURN	
13	AG131760	2	PANEL-SIDE,ELEC CABINET	
14	AG131761	-	BOX-WLDMT,ELECTRICAL	
15	AG133274	4	SCREW-THUMB,,31-18NCX.75 ZY	
16	AG515121	12	WASHER 0.25 FL SS REG	
17	AG515122	14	WASHER LK 0.25 SS REG	
18	AG515123	14	NUT 0.25-20NC HEX SS REG	
19	AG515669	6	PLUG-SEAL,SIZE 16 CONTACT	
20	AG515697	2	NUT PANEL ELEC CONNECTOR	
21	AG515698	2	WASHER LOCK ELEC CONNECTOR	
22	AG516864	1	RELAY-ELEC,12VDC,75AMP	[B]
23	AG517431	1	BREAKER 50A CYCLING CIRCUIT	
24	AG517433	1	MOUNTING BRACKET CIRCUIT BRKR	
25	AG520092	1	JUNCTION BLOCK-STUD TYPE,BLK	
26	AG520093	1	JUNCTION BLOCK-STUD TYPE,RED	
27	AG520140	1	FUSE 1A BLADE ATC	
28	AG520746	1	CONN-PLUG,6 WAY,18-14 GA	
29	AG520748	1	LOCK-PLUG,6 WAY	
30	AG521728	2	BOLT-M6-1.0X16,,SS,HHD	
31	AG521974	1	STRAIN RELIEF-.200-.394 ID	
32	AG522242	2	WASHER-LK,M6,SS	
33	AG561905	4	SCREW .25-20X 0.75 TAP ZN IWHTD	
34	AG562047	2	BOLT 0.25-20NCX 0.50 S.S. HHD	
35	AG562050	2	WASHER LK 0.37 SS REG	
36	AG562061	4	NUT #10-24NC HEX SS REG	
37	AG562065	2	NUT 0.37-16NC HEX SS REG	
38	AG562066	4	WASHER #8 LK SS REG	
39	AG562067	4	SCREW 8-32X 0.75 MA SS SL RHD	
40	AG562070	4	NUT #8-32NC HEX SS REG	
41	AG562081	4	WASHER #10 LK SS REG	
42	AG562925	1	FUSE BLADE 30A ATC	
43	AG562928	1	FUSE 25A BLADE ATC	
44	AG562929	2	FUSE 20A BLADE ATC	
45	AG562930	6	FUSE 15A BLADE ATC	
46	AG562931	10	FUSE 10A BLADE ATC	
47	AG562933	4	FUSE 5A BLADE ATC	
48	AG563094	4	SCREW 10-24X0.75 PH PHS SS	
49	505566D1	1	HARNESS-FUSE BLOCK,864	
50	505702D1	1	DECAL-FUSE BLOCK,NON DOM	
51	506179D1	1	MODULE-FET,4 PACK,NO	
52	AG609645	1	BOOT .37 STUD 4 GA RED #704R	
53	AG607312	-	INSL SELF ADHES 0.12THKX0.50WD [BULK: 6.300 FT]	
54	AG125810	1	CABLE-JUMPER,CONV,PWR	
	FOOTNOTE [A]		AG719617 - RELAYS (4)	
	FOOTNOTE [B]		SEE TECH BULLETN 9823	
	FOOTNOTE [B]		SEE TECH BULLETIN 9864 FOR HEAD RINSE, RELAY INFO. 75 AMP RELAY	



SECTION B-B

ITEM	PART #	QTY	DESCRIPTION	COMMENTS
1	AG026642	1	BREAKER,CIRCUIT 15AMP (D)	
2	AG029293	26	SCREW 10-24X0.50 TAP IWHHD	
3	AG121126	1	DOOR ELECTRICAL BOX	
4	AG121160	2	PANEL-POWER DIST	
5	AG121749	2	MODULE-RELAY,4 PACK,NO	[A]
6	AG121750	3	MODULE-RELAY,2 PACK	
7	AG122059	1	HANDLE,ELECTRICAL BOX	
8	AG122305	1	CABLE-RELAY,CKT BKT,HVAC	
9	AG122306	1	CABLE-PWR STUD,CKT BKR,HVAC	
10	AG124451	2	MODULE-POWER DIST,11 FUSE	SEE PAGE 9-8
11	AG124452	1	MODULE-POWER DIST,HI CURRENT	SEE PAGE 9-9
12	AG125547	1	MODULE-STOP/TURN	
13	AG131760	2	PANEL-SIDE,ELEC CABINET	
14	AG131761	-	BOX-WLDMT,ELECTRICAL	
15	AG133274	4	SCREW-THUMB,.31-18NCX.75 ZY	
16	AG515121	12	WASHER 0.25 FL SS REG	
17	AG515122	14	WASHER LK 0.25 SS REG	
18	AG515123	14	NUT 0.25-20NC HEX SS REG	
19	AG515669	6	PLUG-SEAL,SIZE 16 CONTACT	
20	AG515697	2	NUT PANEL ELEC CONNECTOR	
21	AG515698	2	WASHER LOCK ELEC CONNECTOR	
22	AG516864	1	RELAY-ELEC,12VDC,75AMP	[B]
23	AG517431	1	BREAKER 50A CYCLING CIRCUIT	
24	AG517433	1	MOUNTING BRACKET CIRCUIT BRKR	
25	AG520092	1	JUNCTION BLOCK-STUD TYPE,BLK	
26	AG520093	1	JUNCTION BLOCK-STUD TYPE,RED	
27	AG520140	1	FUSE 1A BLADE ATC	
28	AG520746	1	CONN-PLUG,6 WAY,18-14 GA	
29	AG520748	1	LOCK-PLUG,6 WAY	
30	AG521728	2	BOLT-M6-1.0X16,,SS,HHD	
31	AG521974	1	STRAIN RELIEF-.200-.394 ID	
32	AG522242	2	WASHER-LK,M6,SS	
33	AG561905	4	SCREW .25-20X 0.75 TAP ZN IWHD	
34	AG562047	2	BOLT 0.25-20NCX 0.50 S.S. HHD	
35	AG562050	2	WASHER LK 0.37 SS REG	
36	AG562061	4	NUT #10-24NC HEX SS REG	
37	AG562065	2	NUT 0.37-16NC HEX SS REG	
38	AG562066	4	WASHER #8 LK SS REG	
39	AG562067	4	SCREW 8-32X 0.75 MA SS SL RHD	
40	AG562070	4	NUT #8-32NC HEX SS REG	
41	AG562081	4	WASHER #10 LK SS REG	
42	AG562925	1	FUSE BLADE 30A ATC	
43	AG562928	1	FUSE 25A BLADE ATC	
44	AG562929	2	FUSE 20A BLADE ATC	
45	AG562930	6	FUSE 15A BLADE ATC	
46	AG562931	10	FUSE 10A BLADE ATC	
47	AG562933	4	FUSE 5A BLADE ATC	
48	AG563094	4	SCREW 10-24X0.75 PH PHS SS	
49	505566D1	1	HARNESS-FUSE BLOCK,864	
50	505702D1	1	DECAL-FUSE BLOCK,NON DOM	
51	506179D1	1	MODULE-FET,4 PACK,NO	
52	AG609645	1	BOOT .37 STUD 4 GA RED #704R	
53	AG607312	-	INSL SELF ADHES 0.12THKX0.50WD [BULK: 6.300 FT]	
54	AG125810	1	CABLE-JUMPER,CONV,PWR	
	FOOTNOTE [A]		AG719617 - RELAYS (4)	
	FOOTNOTE [B]		SEE TECH BULLETN 9823	
	FOOTNOTE [B]		SEE TECH BULLETIN 9864 FOR HEAD RINSE, RELAY INFO. 75 AMP RELAY	

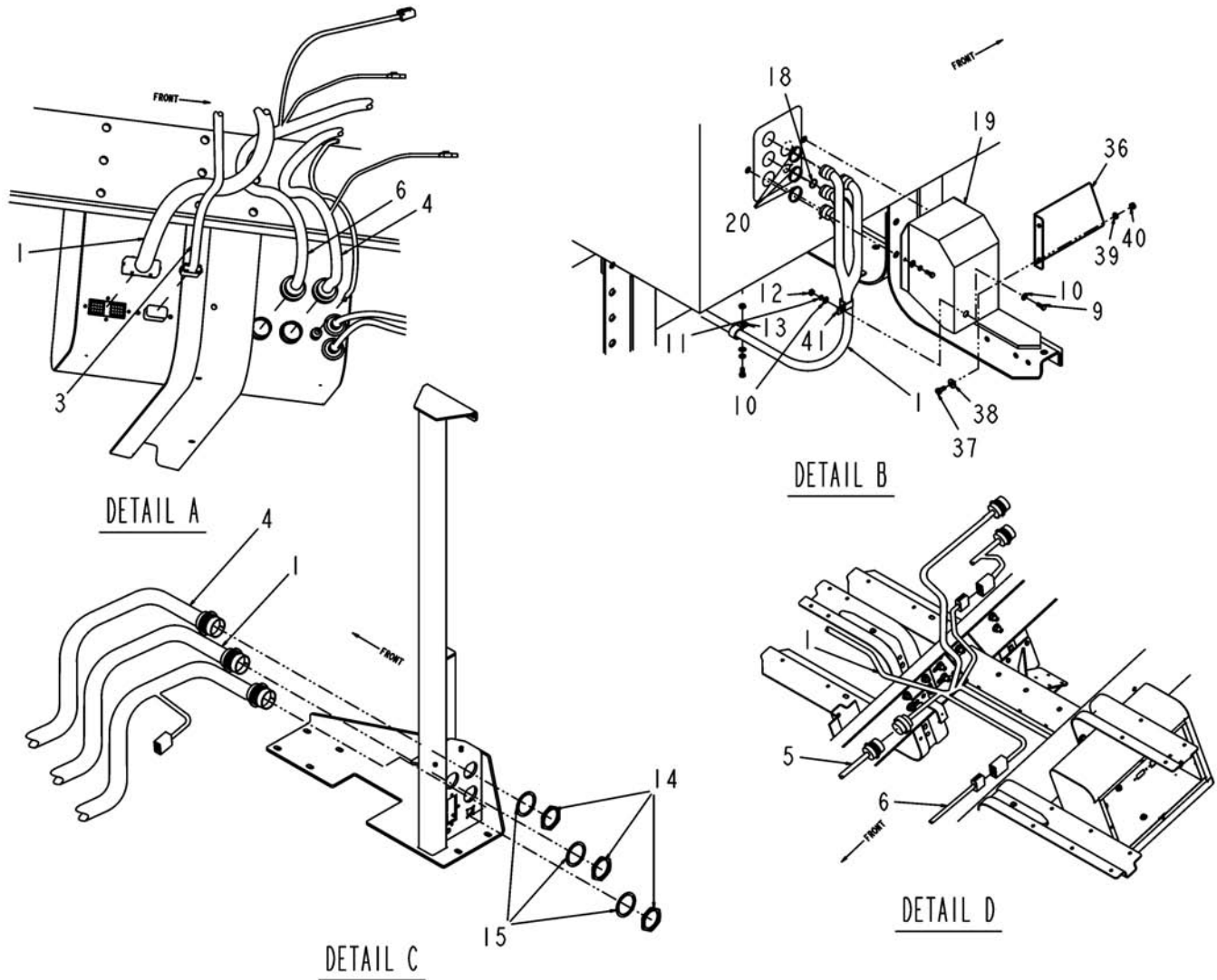
PDMI FUSE CHART		
FUSE #	FUSE SIZE IN AMPS	ITEM #
F1	15	45
F2	15	45
F3	15	45
F4	15	45
F5	10	46
F6	10	46
F7	5	47
F8	10	46
F9	10	46
F10	5	47
F11	1	27

PDM2 FUSE CHART		
FUSE #	FUSE SIZE IN AMPS	ITEM #
F1	10	46
F2	10	46
F3	10	46
F4	5	47
F5	5	47
F6	10	46
F7	10	46
F8	15	45
F9	15	45
F10	10	46
F11	5	47

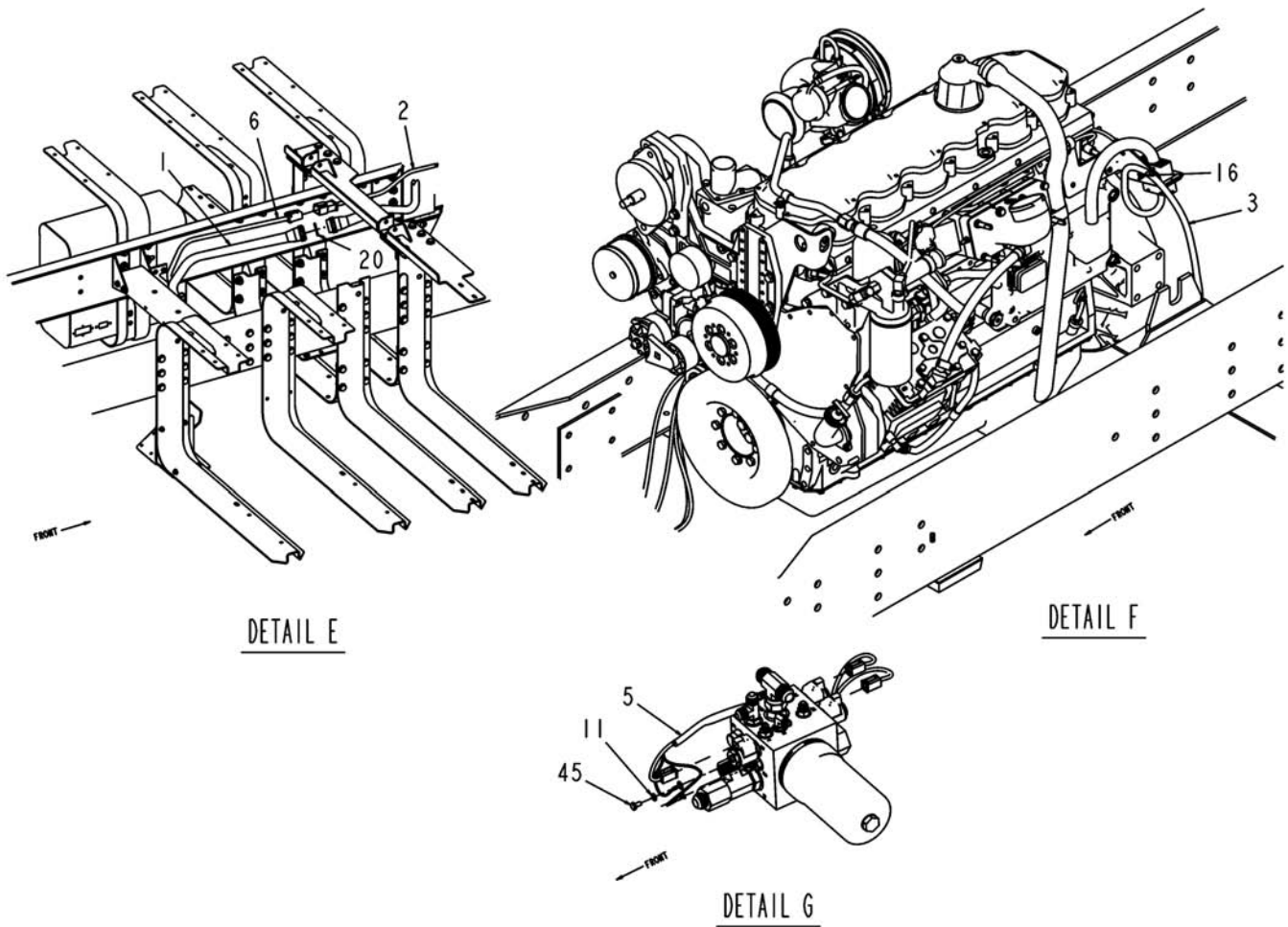
PDM3 FUSE CHART		
FUSE #	FUSE SIZE IN AMPS	ITEM #
F1	25	43
F2	20	44
F3	30	42
F4	20	44

CURCUIT BREAKER CHART		
CB #	CB SIZE IN AMPS	ITEM #
CB-1	50	23
CB-2	15	1

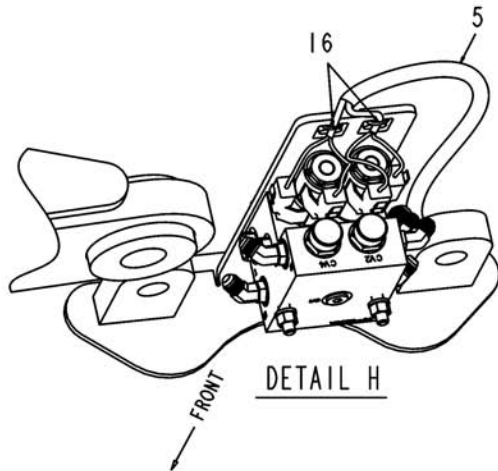
ITEM	PART #	QTY	DESCRIPTION	COMMENTS
1	AG026642	1	BREAKER,CIRCUIT 15AMP (D)	
2	AG029293	26	SCREW 10-24X0.50 TAP IW HDD	
3	AG121126	1	DOOR ELECTRICAL BOX	
4	AG121160	2	PANEL-POWER DIST	
5	AG121749	2	MODULE-RELAY,4 PACK,NO	[A]
6	AG121750	3	MODULE-RELAY,2 PACK	
7	AG122059	1	HANDLE,ELECTRICAL BOX	
8	AG122305	1	CABLE-RELAY,CKT BKT,HVAC	
9	AG122306	1	CABLE-PWR STUD,CKT BKR,HVAC	
10	AG124451	2	MODULE-POWER DIST,11 FUSE	SEE PAGE 9-8
11	AG124452	1	MODULE-POWER DIST,HI CURRENT	SEE PAGE 9-9
12	AG125547	1	MODULE-STOP/TURN	
13	AG131760	2	PANEL-SIDE,ELEC CABINET	
14	AG131761	-	BOX-WLDMT,ELECTRICAL	
15	AG133274	4	SCREW-THUMB,,31-18NCX.75 ZY	
16	AG515121	12	WASHER 0.25 FL SS REG	
17	AG515122	14	WASHER LK 0.25 SS REG	
18	AG515123	14	NUT 0.25-20NC HEX SS REG	
19	AG515669	6	PLUG-SEAL,SIZE 16 CONTACT	
20	AG515697	2	NUT PANEL ELEC CONNECTOR	
21	AG515698	2	WASHER LOCK ELEC CONNECTOR	
22	AG516864	1	RELAY-ELEC,12VDC,75AMP	[B]
23	AG517431	1	BREAKER 50A CYCLING CIRCUIT	
24	AG517433	1	MOUNTING BRACKET CIRCUIT BRKR	
25	AG520092	1	JUNCTION BLOCK-STUD TYPE,BLK	
26	AG520093	1	JUNCTION BLOCK-STUD TYPE,RED	
27	AG520140	1	FUSE 1A BLADE ATC	
28	AG520746	1	CONN-PLUG,6 WAY,18-14 GA	
29	AG520748	1	LOCK-PLUG,6 WAY	
30	AG521728	2	BOLT-M6-1.0X16,,SS,HHD	
31	AG521974	1	STRAIN RELIEF-.200-.394 ID	
32	AG522242	2	WASHER-LK,M6,SS	
33	AG561905	4	SCREW .25-20X 0.75 TAP ZN IW HDD	
34	AG562047	2	BOLT 0.25-20NCX 0.50 S.S. HHD	
35	AG562050	2	WASHER LK 0.37 SS REG	
36	AG562061	4	NUT #10-24NC HEX SS REG	
37	AG562065	2	NUT 0.37-16NC HEX SS REG	
38	AG562066	4	WASHER #8 LK SS REG	
39	AG562067	4	SCREW 8-32X 0.75 MA SS SL RHD	
40	AG562070	4	NUT #8-32NC HEX SS REG	
41	AG562081	4	WASHER #10 LK SS REG	
42	AG562925	1	FUSE BLADE 30A ATC	
43	AG562928	1	FUSE 25A BLADE ATC	
44	AG562929	2	FUSE 20A BLADE ATC	
45	AG562930	6	FUSE 15A BLADE ATC	
46	AG562931	10	FUSE 10A BLADE ATC	
47	AG562933	4	FUSE 5A BLADE ATC	
48	AG563094	4	SCREW 10-24X0.75 PH PHS SS	
49	505566D1	1	HARNESS-FUSE BLOCK,864	
50	505702D1	1	DECAL-FUSE BLOCK,NON DOM	
51	506179D1	1	MODULE-FET,4 PACK,NO	
52	AG609645	1	BOOT .37 STUD 4 GA RED #704R	
53	AG607312	-	INSL SELF ADHES 0.12THKX0.50WD [BULK: 6.300 FT]	
54	AG125810	1	CABLE-JUMPER,CONV,PWR	
	FOOTNOTE [A]		AG719617 - RELAYS (4)	
	FOOTNOTE [B]		SEE TECH BULLETN 9823	
	FOOTNOTE [B]		SEE TECH BULLETIN 9864 FOR HEAD RINSE, RELAY INFO. 75 AMP RELAY	



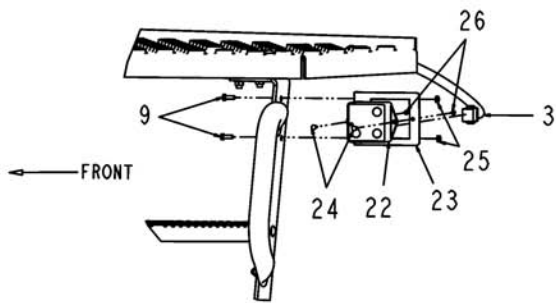
ITEM	PART #	QTY	DESCRIPTION	COMMENTS
1	AG121714	1	HARNESS-ADAPTER,864	
2	AG121715	1	HARNESS-ENGINE ELECTRICAL	
3	AG132560	1	HARN-ENG ELECTRONICS,CHASSIS	
4	504406D1	1	HARN-LIGHTING,CHAS,RG,NON DOM	
5	AG124867	1	HARNESS-DRIVE CONTROL,CHASSIS	
6	505567D1	1	HARNESS-CHASSIS,864	
7	AG122019	1	HARNESS-ROAD LIGHTS,864	
8	AG550485	2	BOLT.25-20NCX.75 G5 ZN HHD	
9	AG562054	3	BOLT 0.25-20NCX 0.75 S.S. HHD	
10	AG515121	4	WASHER 0.25 FL SS REG	
11	AG515122	4	WASHER LK 0.25 SS REG	
12	AG515123	2	NUT 0.25-20NC HEX SS REG	
13	AG561895	1	CLAMP 1.50 HOSE COATED	
14	AG515697	3	NUT PANEL ELEC CONNECTOR	
15	AG515698	3	WASHER LOCK ELEC CONNECTOR	
16	AG553557	-	TIE CABLE 7.37 .06-1.37 BLACK	
17	AG518989	-	SEALANT NONCORROSIVE 10.3 OZ	
18	AG517743	1	SEAL PERIPHERAL 17 SHELL	
19	AG309580	1	CONNECTIONS COVER WELDMENT	
20	AG517742	4	SEAL PERIPHERAL 23 SHELL	
21	AG125078	-	SOLENOID-RWK,EXH BRAKE	SEE PAGE 6-6
22	AG121751	1	MODULE-REMOTE THROTTLE	[A]
23	AG122239	1	BRACKET-REMOT THROTTLE MODULE	
24	AG562067	2	SCREW 8-32X 0.75 MA SS SL RHD	
25	AG027275	2	NUT,NY-LOCK 1/4-20 SS HX (P)	
26	AG563176	2	NUT-8-32,SS,NYLOCK,HEX	
27	AG604167	1	BOLT 0.37-16NCX 1.25 S.S. HHD	
28	AG562065	1	NUT 0.37-16NC HEX SS REG	
29	AG562050	1	WASHER LK 0.37 SS REG	
30	AG562072	1	WASHER 0.37 FL SS SAE	
31	AG562237	4	CLAMP CTD 0.75IDX0.75WIDE	
32	AG562327	2	BOLT M6-1.00X20MM G8.8 ZN HHD	
33	505540D1	-	HARNESS-HEADLIGHT,NON DOM	
34	AG420121	1	HARNESS-GAUGE,LAMPS	
35	AG123597	1	HARNESS-LIGHT,WAIT TO START	
36	AG123794	1	GUARD,HEATER HOSE	
37	AG562049	2	BOLT 0.31-18NCX 0.75 S.S. HHD	
38	AG551015	2	WASHER 0.31 FL ZN REG TYPE-B	
39	AG550205	2	WASHER LK 0.31 ZN REG	
40	AG562090	2	NUT 0.31-18NC HEX SS REG	
41	AG561793	1	HOSE CLAMP RUBBER COATED	
42	AG550507	2	WASHER FL 0.25 ZN REG TYPE-B	
43	AG550493	2	WASHER LK 0.25 ZN REG	
44	AG563185	1	WASHER-LOCK,#10,EXT,ZN	
45	AG562047	1	BOLT 0.25-20NCX 0.50 S.S. HHD	
	FOOTNOTE [A]		MODULE HAS NO SERVICE PARTS	



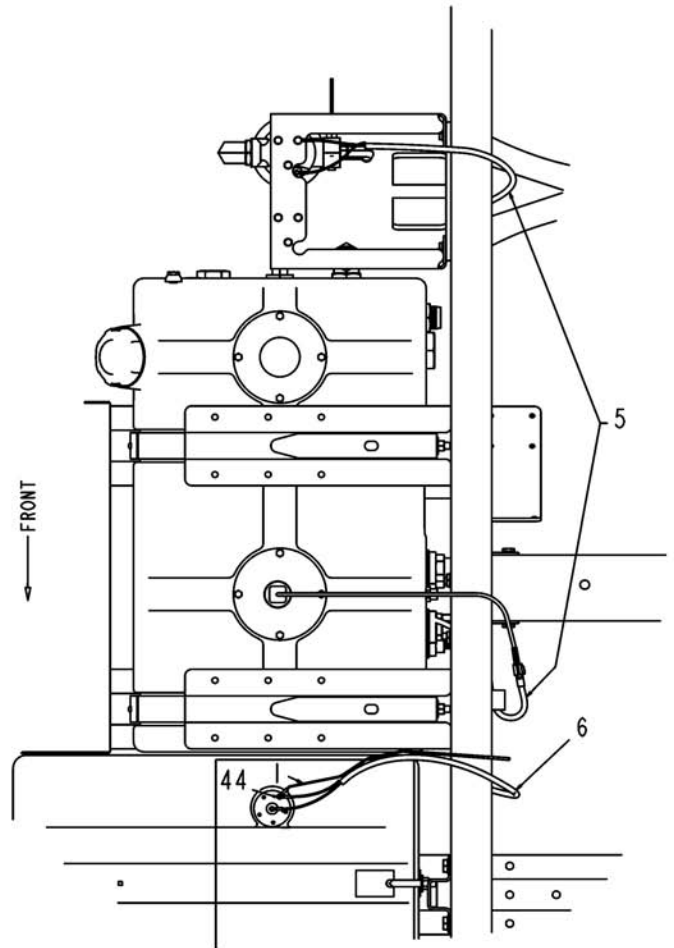
ITEM	PART #	QTY	DESCRIPTION	COMMENTS
1	AG121714	1	HARNESS-ADAPTER,864	
2	AG121715	1	HARNESS-ENGINE ELECTRICAL	
3	AG132560	1	HARN-ENG ELECTRONICS,CHASSIS	
4	504406D1	1	HARN-LIGHTING,CHAS,RG,NON DOM	
5	AG124867	1	HARNESS-DRIVE CONTROL,CHASSIS	
6	505567D1	1	HARNESS-CHASSIS,864	
7	AG122019	1	HARNESS-ROAD LIGHTS,864	
8	AG550485	2	BOLT.25-20NCX.75 G5 ZN HHD	
9	AG562054	3	BOLT 0.25-20NCX 0.75 S.S. HHD	
10	AG515121	4	WASHER 0.25 FL SS REG	
11	AG515122	4	WASHER LK 0.25 SS REG	
12	AG515123	2	NUT 0.25-20NC HEX SS REG	
13	AG561895	1	CLAMP 1.50 HOSE COATED	
14	AG515697	3	NUT PANEL ELEC CONNECTOR	
15	AG515698	3	WASHER LOCK ELEC CONNECTOR	
16	AG553557	-	TIE CABLE 7.37 .06-1.37 BLACK	
17	AG518989	-	SEALANT NONCORROSIVE 10.3 OZ	
18	AG517743	1	SEAL PERIPHERAL 17 SHELL	
19	AG309580	1	CONNECTIONS COVER WELDMENT	
20	AG517742	4	SEAL PERIPHERAL 23 SHELL	
21	AG125078	-	SOLENOID-RWK,EXH BRAKE	SEE PAGE 6-6
22	AG121751	1	MODULE-REMOTE THROTTLE	[A]
23	AG122239	1	BRACKET-REMOT THROTTLE MODULE	
24	AG562067	2	SCREW 8-32X 0.75 MA SS SL RHD	
25	AG027275	2	NUT,NY-LOCK 1/4-20 SS HX (P)	
26	AG563176	2	NUT-8-32,SS,NYLOCK,HEX	
27	AG604167	1	BOLT 0.37-16NCX 1.25 S.S. HHD	
28	AG562065	1	NUT 0.37-16NC HEX SS REG	
29	AG562050	1	WASHER LK 0.37 SS REG	
30	AG562072	1	WASHER 0.37 FL SS SAE	
31	AG562237	4	CLAMP CTD 0.75IDX0.75WIDE	
32	AG562327	2	BOLT M6-1.00X20MM G8.8 ZN HHD	
33	505540D1	-	HARNESS-HEADLIGHT,NON DOM	
34	AG420121	1	HARNESS-GAUGE,LAMPS	
35	AG123597	1	HARNESS-LIGHT,WAIT TO START	
36	AG123794	1	GUARD,HEATER HOSE	
37	AG562049	2	BOLT 0.31-18NCX 0.75 S.S. HHD	
38	AG551015	2	WASHER 0.31 FL ZN REG TYPE-B	
39	AG550205	2	WASHER LK 0.31 ZN REG	
40	AG562090	2	NUT 0.31-18NC HEX SS REG	
41	AG561793	1	HOSE CLAMP RUBBER COATED	
42	AG550507	2	WASHER FL 0.25 ZN REG TYPE-B	
43	AG550493	2	WASHER LK 0.25 ZN REG	
44	AG563185	1	WASHER-LOCK,#10,EXT,ZN	
45	AG562047	1	BOLT 0.25-20NCX 0.50 S.S. HHD	
	FOOTNOTE [A]		MODULE HAS NO SERVICE PARTS	



DETAIL H

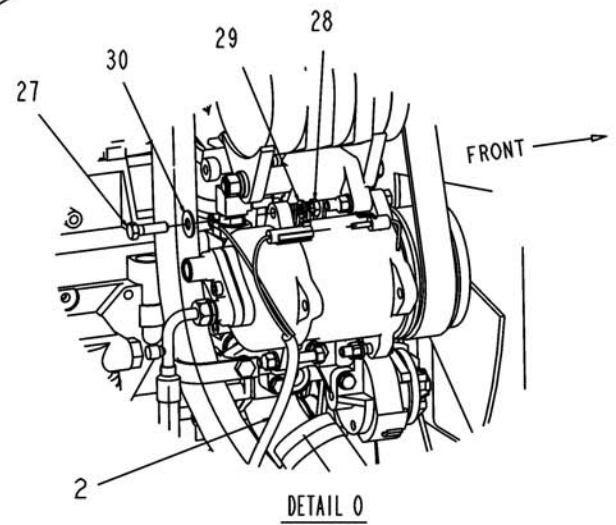
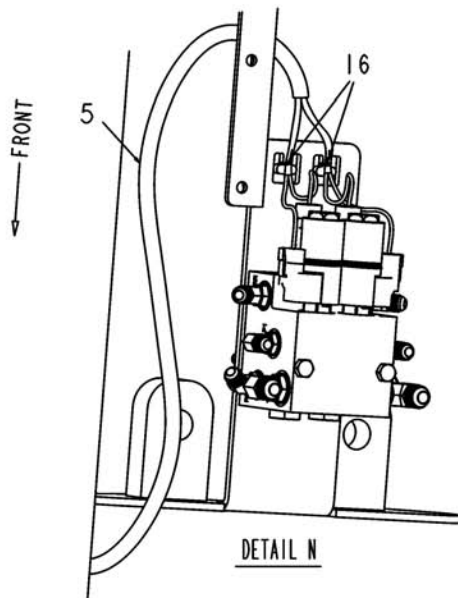
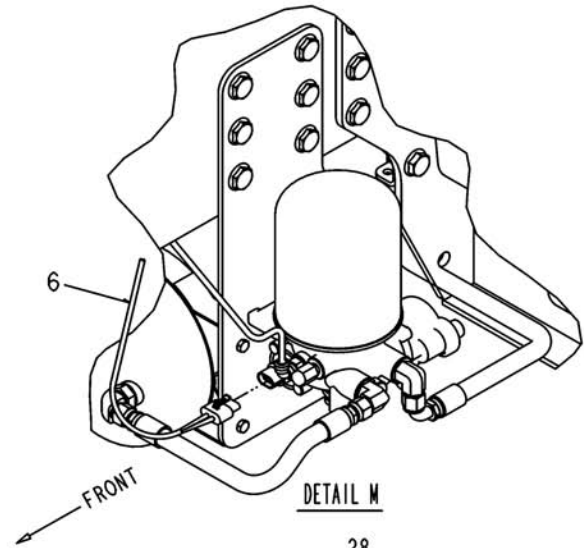
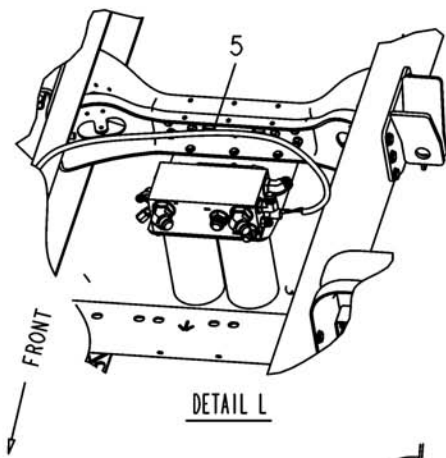


DETAIL K

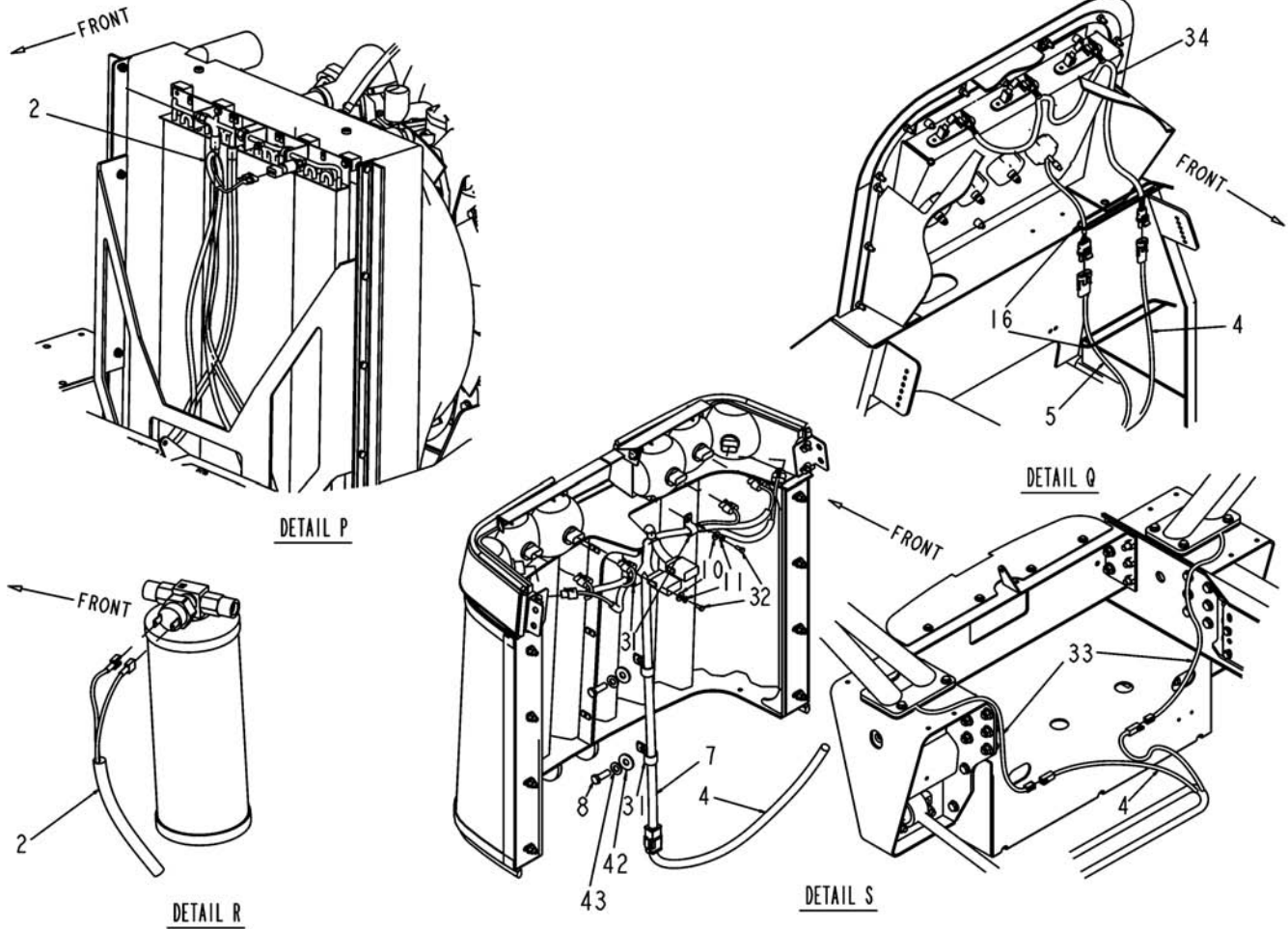


DETAIL J

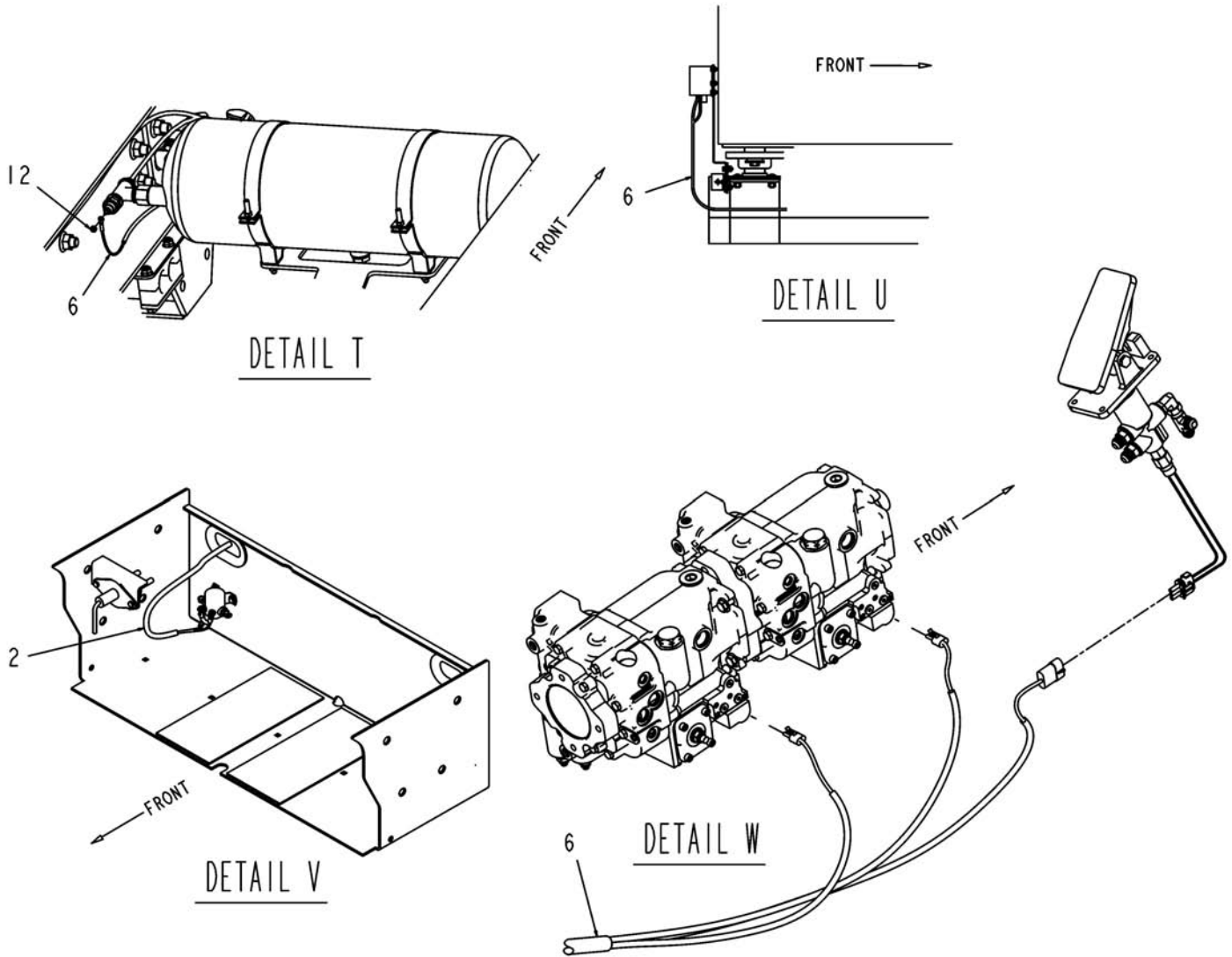
ITEM	PART #	QTY	DESCRIPTION	COMMENTS
1	AG121714	1	HARNESS-ADAPTER,864	
2	AG121715	1	HARNESS-ENGINE ELECTRICAL	
3	AG132560	1	HARN-ENG ELECTRONICS,CHASSIS	
4	504406D1	1	HARN-LIGHTING,CHAS,RG,NON DOM	
5	AG124867	1	HARNESS-DRIVE CONTROL,CHASSIS	
6	505567D1	1	HARNESS-CHASSIS,864	
7	AG122019	1	HARNESS-ROAD LIGHTS,864	
8	AG550485	2	BOLT.25-20NCX.75 G5 ZN HHD	
9	AG562054	3	BOLT 0.25-20NCX 0.75 S.S. HHD	
10	AG515121	4	WASHER 0.25 FL SS REG	
11	AG515122	4	WASHER LK 0.25 SS REG	
12	AG515123	2	NUT 0.25-20NC HEX SS REG	
13	AG561895	1	CLAMP 1.50 HOSE COATED	
14	AG515697	3	NUT PANEL ELEC CONNECTOR	
15	AG515698	3	WASHER LOCK ELEC CONNECTOR	
16	AG553557	-	TIE CABLE 7.37 .06-1.37 BLACK	
17	AG518989	-	SEALANT NONCORROSIVE 10.3 OZ	
18	AG517743	1	SEAL PERIPHERAL 17 SHELL	
19	AG309580	1	CONNECTIONS COVER WELDMENT	
20	AG517742	4	SEAL PERIPHERAL 23 SHELL	
21	AG125078	-	SOLENOID-RWK,EXH BRAKE	SEE PAGE 6-6
22	AG121751	1	MODULE-REMOTE THROTTLE	[A]
23	AG122239	1	BRACKET-REMOT THROTTLE MODULE	
24	AG562067	2	SCREW 8-32X 0.75 MA SS SL RHD	
25	AG027275	2	NUT,NY-LOCK 1/4-20 SS HX (P)	
26	AG563176	2	NUT-8-32,SS,NYLOCK,HEX	
27	AG604167	1	BOLT 0.37-16NCX 1.25 S.S. HHD	
28	AG562065	1	NUT 0.37-16NC HEX SS REG	
29	AG562050	1	WASHER LK 0.37 SS REG	
30	AG562072	1	WASHER 0.37 FL SS SAE	
31	AG562237	4	CLAMP CTD 0.75IDX0.75WIDE	
32	AG562327	2	BOLT M6-1.00X20MM G8.8 ZN HHD	
33	505540D1	-	HARNESS-HEADLIGHT,NON DOM	
34	AG420121	1	HARNESS-GAUGE,LAMPS	
35	AG123597	1	HARNESS-LIGHT,WAIT TO START	
36	AG123794	1	GUARD,HEATER HOSE	
37	AG562049	2	BOLT 0.31-18NCX 0.75 S.S. HHD	
38	AG551015	2	WASHER 0.31 FL ZN REG TYPE-B	
39	AG550205	2	WASHER LK 0.31 ZN REG	
40	AG562090	2	NUT 0.31-18NC HEX SS REG	
41	AG561793	1	HOSE CLAMP RUBBER COATED	
42	AG550507	2	WASHER FL 0.25 ZN REG TYPE-B	
43	AG550493	2	WASHER LK 0.25 ZN REG	
44	AG563185	1	WASHER-LOCK,#10,EXT,ZN	
45	AG562047	1	BOLT 0.25-20NCX 0.50 S.S. HHD	
	FOOTNOTE [A]		MODULE HAS NO SERVICE PARTS	



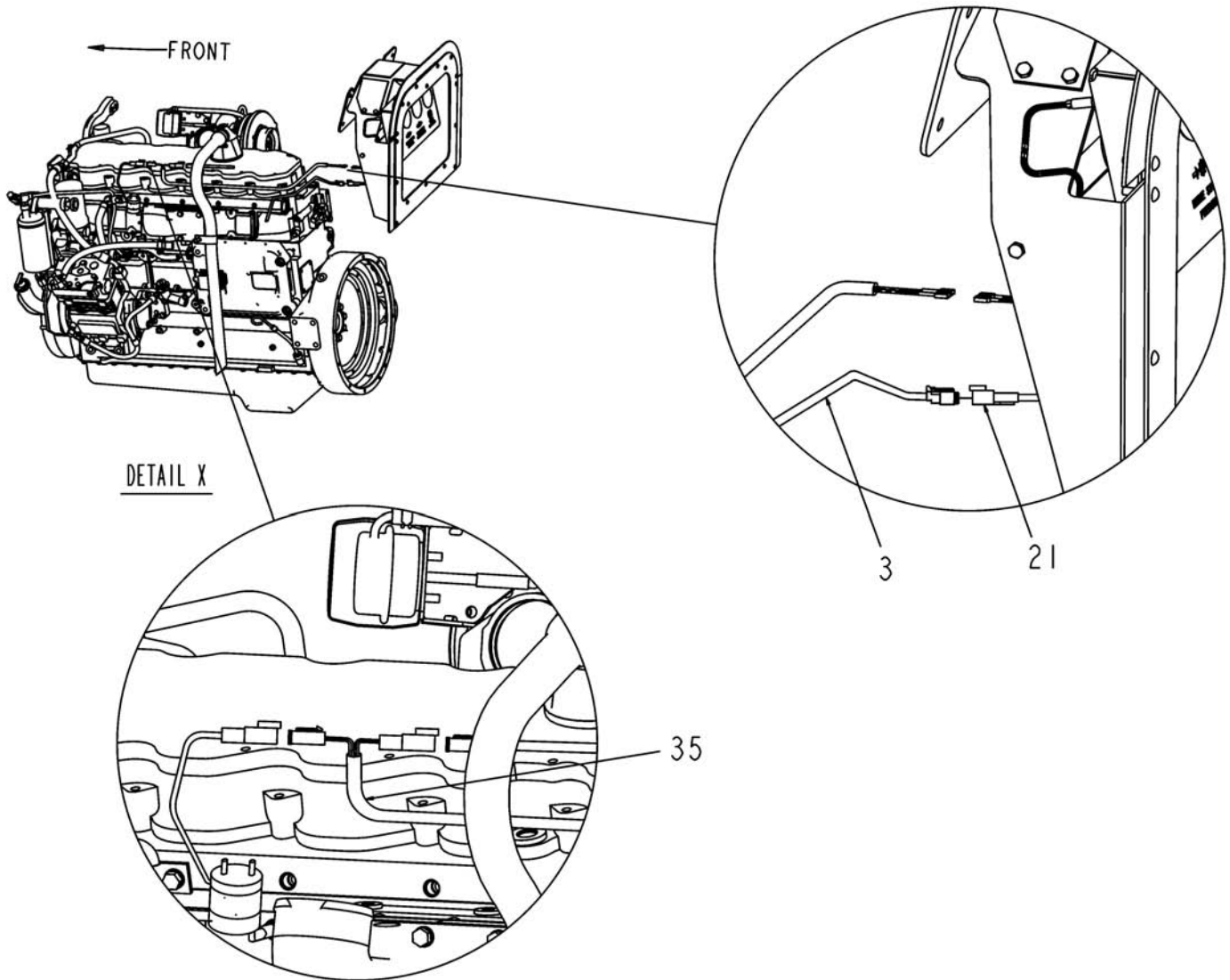
ITEM	PART #	QTY	DESCRIPTION	COMMENTS
1	AG121714	1	HARNESS-ADAPTER,864	
2	AG121715	1	HARNESS-ENGINE ELECTRICAL	
3	AG132560	1	HARN-ENG ELECTRONICS,CHASSIS	
4	504406D1	1	HARN-LIGHTING,CHAS,RG,NON DOM	
5	AG124867	1	HARNESS-DRIVE CONTROL,CHASSIS	
6	505567D1	1	HARNESS-CHASSIS,864	
7	AG122019	1	HARNESS-ROAD LIGHTS,864	
8	AG550485	2	BOLT.25-20NCX.75 G5 ZN HHD	
9	AG562054	3	BOLT 0.25-20NCX 0.75 S.S. HHD	
10	AG515121	4	WASHER 0.25 FL SS REG	
11	AG515122	4	WASHER LK 0.25 SS REG	
12	AG515123	2	NUT 0.25-20NC HEX SS REG	
13	AG561895	1	CLAMP 1.50 HOSE COATED	
14	AG515697	3	NUT PANEL ELEC CONNECTOR	
15	AG515698	3	WASHER LOCK ELEC CONNECTOR	
16	AG553557	-	TIE CABLE 7.37 .06-1.37 BLACK	
17	AG518989	-	SEALANT NONCORROSIVE 10.3 OZ	
18	AG517743	1	SEAL PERIPHERAL 17 SHELL	
19	AG309580	1	CONNECTIONS COVER WELDMENT	
20	AG517742	4	SEAL PERIPHERAL 23 SHELL	
21	AG125078	-	SOLENOID-RWK,EXH BRAKE	SEE PAGE 6-6
22	AG121751	1	MODULE-REMOTE THROTTLE	[A]
23	AG122239	1	BRACKET-REMOT THROTTLE MODULE	
24	AG562067	2	SCREW 8-32X 0.75 MA SS SL RHD	
25	AG027275	2	NUT,NY-LOCK 1/4-20 SS HX (P)	
26	AG563176	2	NUT-8-32,SS,NYLOCK,HEX	
27	AG604167	1	BOLT 0.37-16NCX 1.25 S.S. HHD	
28	AG562065	1	NUT 0.37-16NC HEX SS REG	
29	AG562050	1	WASHER LK 0.37 SS REG	
30	AG562072	1	WASHER 0.37 FL SS SAE	
31	AG562237	4	CLAMP CTD 0.75IDX0.75WIDE	
32	AG562327	2	BOLT M6-1.00X20MM G8.8 ZN HHD	
33	505540D1	-	HARNESS-HEADLIGHT,NON DOM	
34	AG420121	1	HARNESS-GAUGE,LAMPS	
35	AG123597	1	HARNESS-LIGHT,WAIT TO START	
36	AG123794	1	GUARD,HEATER HOSE	
37	AG562049	2	BOLT 0.31-18NCX 0.75 S.S. HHD	
38	AG551015	2	WASHER 0.31 FL ZN REG TYPE-B	
39	AG550205	2	WASHER LK 0.31 ZN REG	
40	AG562090	2	NUT 0.31-18NC HEX SS REG	
41	AG561793	1	HOSE CLAMP RUBBER COATED	
42	AG550507	2	WASHER FL 0.25 ZN REG TYPE-B	
43	AG550493	2	WASHER LK 0.25 ZN REG	
44	AG563185	1	WASHER-LOCK,#10,EXT,ZN	
45	AG562047	1	BOLT 0.25-20NCX 0.50 S.S. HHD	
	FOOTNOTE [A]		MODULE HAS NO SERVICE PARTS	



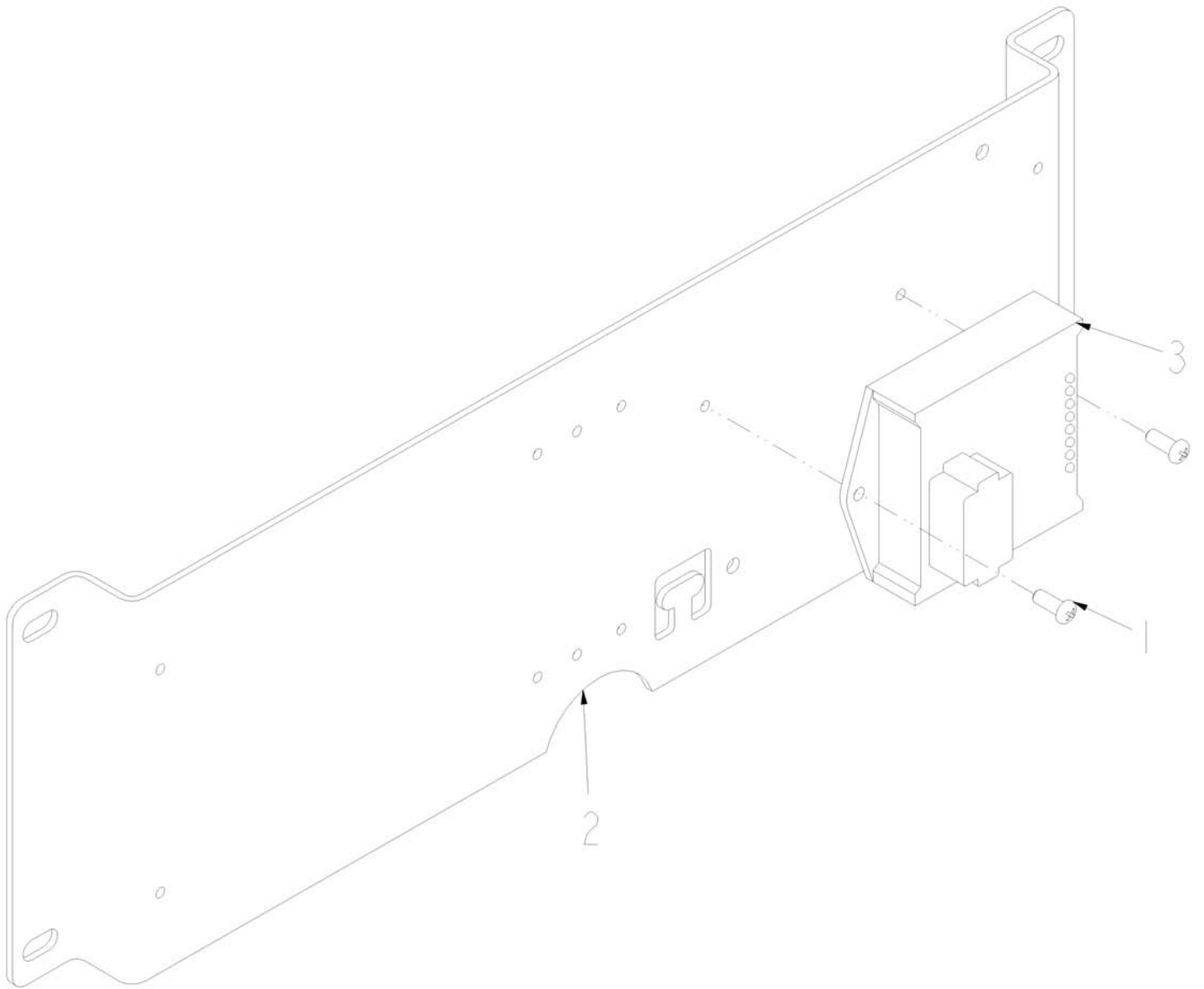
ITEM	PART #	QTY	DESCRIPTION	COMMENTS
1	AG121714	1	HARNESS-ADAPTER,864	
2	AG121715	1	HARNESS-ENGINE ELECTRICAL	
3	AG132560	1	HARN-ENG ELECTRONICS,CHASSIS	
4	504406D1	1	HARN-LIGHTING,CHAS,RG,NON DOM	
5	AG124867	1	HARNESS-DRIVE CONTROL,CHASSIS	
6	505567D1	1	HARNESS-CHASSIS,864	
7	AG122019	1	HARNESS-ROAD LIGHTS,864	
8	AG550485	2	BOLT.25-20NCX.75 G5 ZN HHD	
9	AG562054	3	BOLT 0.25-20NCX 0.75 S.S. HHD	
10	AG515121	4	WASHER 0.25 FL SS REG	
11	AG515122	4	WASHER LK 0.25 SS REG	
12	AG515123	2	NUT 0.25-20NC HEX SS REG	
13	AG561895	1	CLAMP 1.50 HOSE COATED	
14	AG515697	3	NUT PANEL ELEC CONNECTOR	
15	AG515698	3	WASHER LOCK ELEC CONNECTOR	
16	AG553557	-	TIE CABLE 7.37 .06-1.37 BLACK	
17	AG518989	-	SEALANT NONCORROSIVE 10.3 OZ	
18	AG517743	1	SEAL PERIPHERAL 17 SHELL	
19	AG309580	1	CONNECTIONS COVER WELDMENT	
20	AG517742	4	SEAL PERIPHERAL 23 SHELL	
21	AG125078	-	SOLENOID-RWK,EXH BRAKE	SEE PAGE 6-6
22	AG121751	1	MODULE-REMOTE THROTTLE	[A]
23	AG122239	1	BRACKET-REMOT THROTTLE MODULE	
24	AG562067	2	SCREW 8-32X 0.75 MA SS SL RHD	
25	AG027275	2	NUT,NY-LOCK 1/4-20 SS HX (P)	
26	AG563176	2	NUT-8-32,SS,NYLOCK,HEX	
27	AG604167	1	BOLT 0.37-16NCX 1.25 S.S. HHD	
28	AG562065	1	NUT 0.37-16NC HEX SS REG	
29	AG562050	1	WASHER LK 0.37 SS REG	
30	AG562072	1	WASHER 0.37 FL SS SAE	
31	AG562237	4	CLAMP CTD 0.75IDX0.75WIDE	
32	AG562327	2	BOLT M6-1.00X20MM G8.8 ZN HHD	
33	505540D1	-	HARNESS-HEADLIGHT,NON DOM	
34	AG420121	1	HARNESS-GAUGE,LAMPS	
35	AG123597	1	HARNESS-LIGHT,WAIT TO START	
36	AG123794	1	GUARD,HEATER HOSE	
37	AG562049	2	BOLT 0.31-18NCX 0.75 S.S. HHD	
38	AG551015	2	WASHER 0.31 FL ZN REG TYPE-B	
39	AG550205	2	WASHER LK 0.31 ZN REG	
40	AG562090	2	NUT 0.31-18NC HEX SS REG	
41	AG561793	1	HOSE CLAMP RUBBER COATED	
42	AG550507	2	WASHER FL 0.25 ZN REG TYPE-B	
43	AG550493	2	WASHER LK 0.25 ZN REG	
44	AG563185	1	WASHER-LOCK,#10,EXT,ZN	
45	AG562047	1	BOLT 0.25-20NCX 0.50 S.S. HHD	
	FOOTNOTE [A]		MODULE HAS NO SERVICE PARTS	



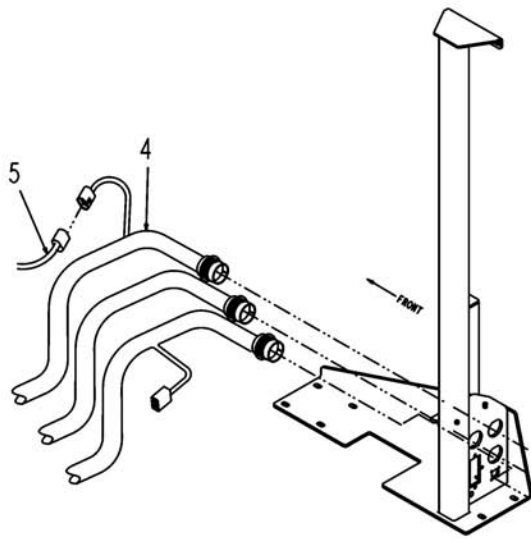
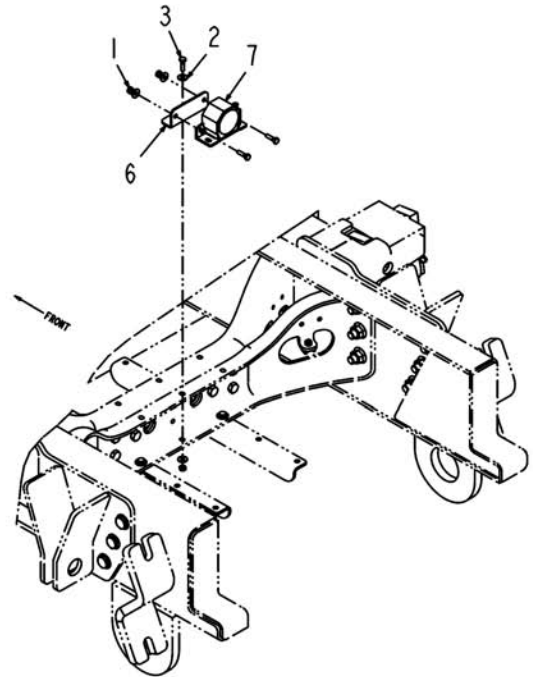
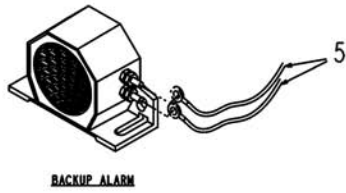
ITEM	PART #	QTY	DESCRIPTION	COMMENTS
1	AG121714	1	HARNESS-ADAPTER,864	
2	AG121715	1	HARNESS-ENGINE ELECTRICAL	
3	AG132560	1	HARN-ENG ELECTRONICS,CHASSIS	
4	504406D1	1	HARN-LIGHTING,CHAS,RG,NON DOM	
5	AG124867	1	HARNESS-DRIVE CONTROL,CHASSIS	
6	505567D1	1	HARNESS-CHASSIS,864	
7	AG122019	1	HARNESS-ROAD LIGHTS,864	
8	AG550485	2	BOLT.25-20NCX.75 G5 ZN HHD	
9	AG562054	3	BOLT 0.25-20NCX 0.75 S.S. HHD	
10	AG515121	4	WASHER 0.25 FL SS REG	
11	AG515122	4	WASHER LK 0.25 SS REG	
12	AG515123	2	NUT 0.25-20NC HEX SS REG	
13	AG561895	1	CLAMP 1.50 HOSE COATED	
14	AG515697	3	NUT PANEL ELEC CONNECTOR	
15	AG515698	3	WASHER LOCK ELEC CONNECTOR	
16	AG553557	-	TIE CABLE 7.37 .06-1.37 BLACK	
17	AG518989	-	SEALANT NONCORROSIVE 10.3 OZ	
18	AG517743	1	SEAL PERIPHERAL 17 SHELL	
19	AG309580	1	CONNECTIONS COVER WELDMENT	
20	AG517742	4	SEAL PERIPHERAL 23 SHELL	
21	AG125078	-	SOLENOID-RWK,EXH BRAKE	SEE PAGE 6-6
22	AG121751	1	MODULE-REMOTE THROTTLE	[A]
23	AG122239	1	BRACKET-REMOT THROTTLE MODULE	
24	AG562067	2	SCREW 8-32X 0.75 MA SS SL RHD	
25	AG027275	2	NUT,NY-LOCK 1/4-20 SS HX (P)	
26	AG563176	2	NUT-8-32,SS,NYLOCK,HEX	
27	AG604167	1	BOLT 0.37-16NCX 1.25 S.S. HHD	
28	AG562065	1	NUT 0.37-16NC HEX SS REG	
29	AG562050	1	WASHER LK 0.37 SS REG	
30	AG562072	1	WASHER 0.37 FL SS SAE	
31	AG562237	4	CLAMP CTD 0.75IDX0.75WIDE	
32	AG562327	2	BOLT M6-1.00X20MM G8.8 ZN HHD	
33	505540D1	-	HARNESS-HEADLIGHT,NON DOM	
34	AG420121	1	HARNESS-GAUGE,LAMPS	
35	AG123597	1	HARNESS-LIGHT,WAIT TO START	
36	AG123794	1	GUARD,HEATER HOSE	
37	AG562049	2	BOLT 0.31-18NCX 0.75 S.S. HHD	
38	AG551015	2	WASHER 0.31 FL ZN REG TYPE-B	
39	AG550205	2	WASHER LK 0.31 ZN REG	
40	AG562090	2	NUT 0.31-18NC HEX SS REG	
41	AG561793	1	HOSE CLAMP RUBBER COATED	
42	AG550507	2	WASHER FL 0.25 ZN REG TYPE-B	
43	AG550493	2	WASHER LK 0.25 ZN REG	
44	AG563185	1	WASHER-LOCK,#10,EXT,ZN	
45	AG562047	1	BOLT 0.25-20NCX 0.50 S.S. HHD	
	FOOTNOTE [A]		MODULE HAS NO SERVICE PARTS	



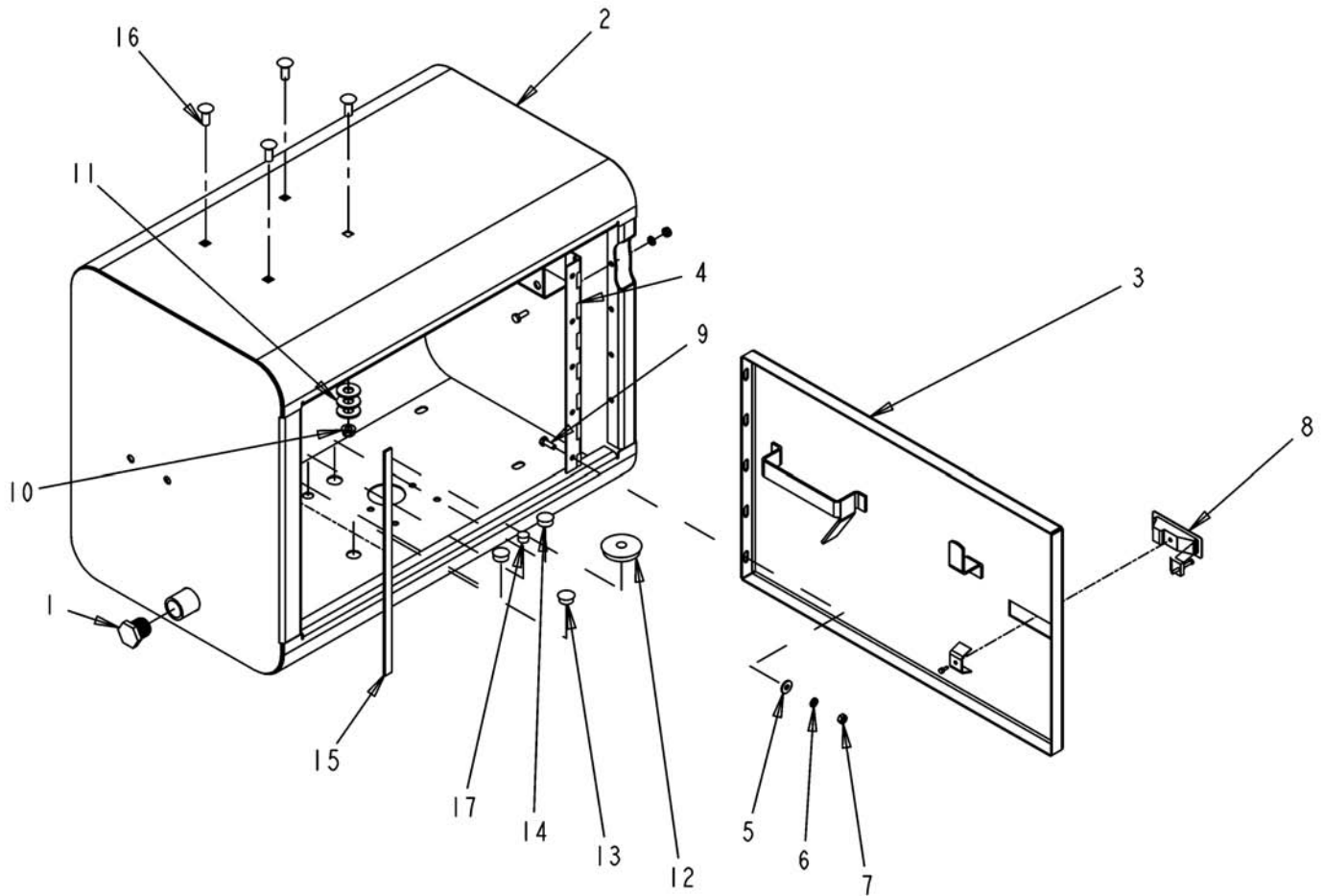
ITEM	PART #	QTY	DESCRIPTION	COMMENTS
1	AG121714	1	HARNESS-ADAPTER,864	
2	AG121715	1	HARNESS-ENGINE ELECTRICAL	
3	AG132560	1	HARN-ENG ELECTRONICS,CHASSIS	
4	504406D1	1	HARN-LIGHTING,CHAS,RG,NON DOM	
5	AG124867	1	HARNESS-DRIVE CONTROL,CHASSIS	
6	505567D1	1	HARNESS-CHASSIS,864	
7	AG122019	1	HARNESS-ROAD LIGHTS,864	
8	AG550485	2	BOLT.25-20NCX.75 G5 ZN HHD	
9	AG562054	3	BOLT 0.25-20NCX 0.75 S.S. HHD	
10	AG515121	4	WASHER 0.25 FL SS REG	
11	AG515122	4	WASHER LK 0.25 SS REG	
12	AG515123	2	NUT 0.25-20NC HEX SS REG	
13	AG561895	1	CLAMP 1.50 HOSE COATED	
14	AG515697	3	NUT PANEL ELEC CONNECTOR	
15	AG515698	3	WASHER LOCK ELEC CONNECTOR	
16	AG553557	-	TIE CABLE 7.37 .06-1.37 BLACK	
17	AG518989	-	SEALANT NONCORROSIVE 10.3 OZ	
18	AG517743	1	SEAL PERIPHERAL 17 SHELL	
19	AG309580	1	CONNECTIONS COVER WELDMENT	
20	AG517742	4	SEAL PERIPHERAL 23 SHELL	
21	AG125078	-	SOLENOID-RWK,EXH BRAKE	SEE PAGE 6-6
22	AG121751	1	MODULE-REMOTE THROTTLE	[A]
23	AG122239	1	BRACKET-REMOT THROTTLE MODULE	
24	AG562067	2	SCREW 8-32X 0.75 MA SS SL RHD	
25	AG027275	2	NUT,NY-LOCK 1/4-20 SS HX (P)	
26	AG563176	2	NUT-8-32,SS,NYLOCK,HEX	
27	AG604167	1	BOLT 0.37-16NCX 1.25 S.S. HHD	
28	AG562065	1	NUT 0.37-16NC HEX SS REG	
29	AG562050	1	WASHER LK 0.37 SS REG	
30	AG562072	1	WASHER 0.37 FL SS SAE	
31	AG562237	4	CLAMP CTD 0.75IDX0.75WIDE	
32	AG562327	2	BOLT M6-1.00X20MM G8.8 ZN HHD	
33	505540D1	-	HARNESS-HEADLIGHT,NON DOM	
34	AG420121	1	HARNESS-GAUGE,LAMPS	
35	AG123597	1	HARNESS-LIGHT,WAIT TO START	
36	AG123794	1	GUARD,HEATER HOSE	
37	AG562049	2	BOLT 0.31-18NCX 0.75 S.S. HHD	
38	AG551015	2	WASHER 0.31 FL ZN REG TYPE-B	
39	AG550205	2	WASHER LK 0.31 ZN REG	
40	AG562090	2	NUT 0.31-18NC HEX SS REG	
41	AG561793	1	HOSE CLAMP RUBBER COATED	
42	AG550507	2	WASHER FL 0.25 ZN REG TYPE-B	
43	AG550493	2	WASHER LK 0.25 ZN REG	
44	AG563185	1	WASHER-LOCK,#10,EXT,ZN	
45	AG562047	1	BOLT 0.25-20NCX 0.50 S.S. HHD	
	FOOTNOTE [A]		MODULE HAS NO SERVICE PARTS	



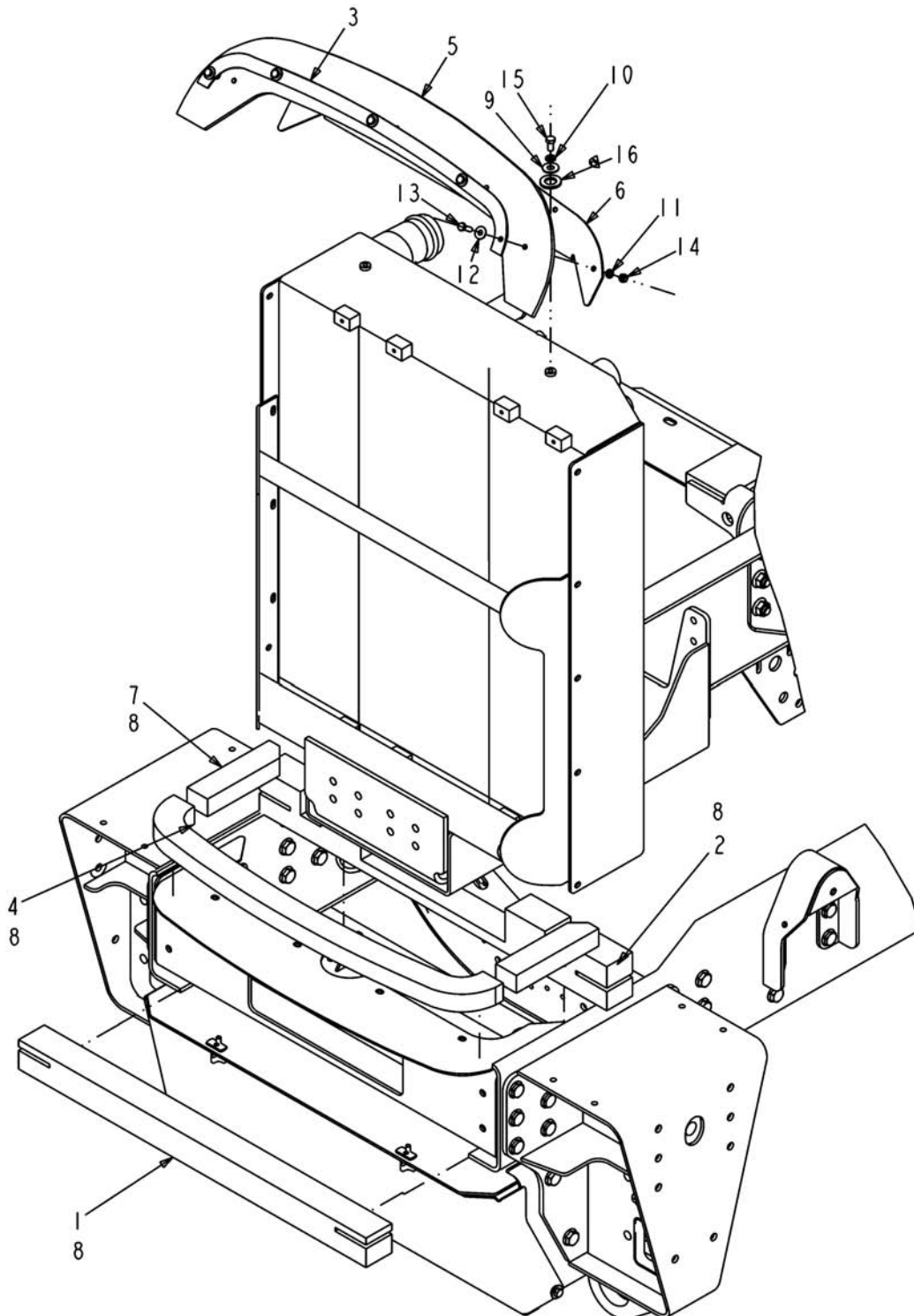
ITEM	PART #	QTY	DESCRIPTION	COMMENTS
1	AG029293	2	SCREW 10-24X0.50 TAP IWHHH	
2	AG121160	-	PANEL-POWER DIST	
3	AG129242	1	MODULE-FLASHER,EURO	



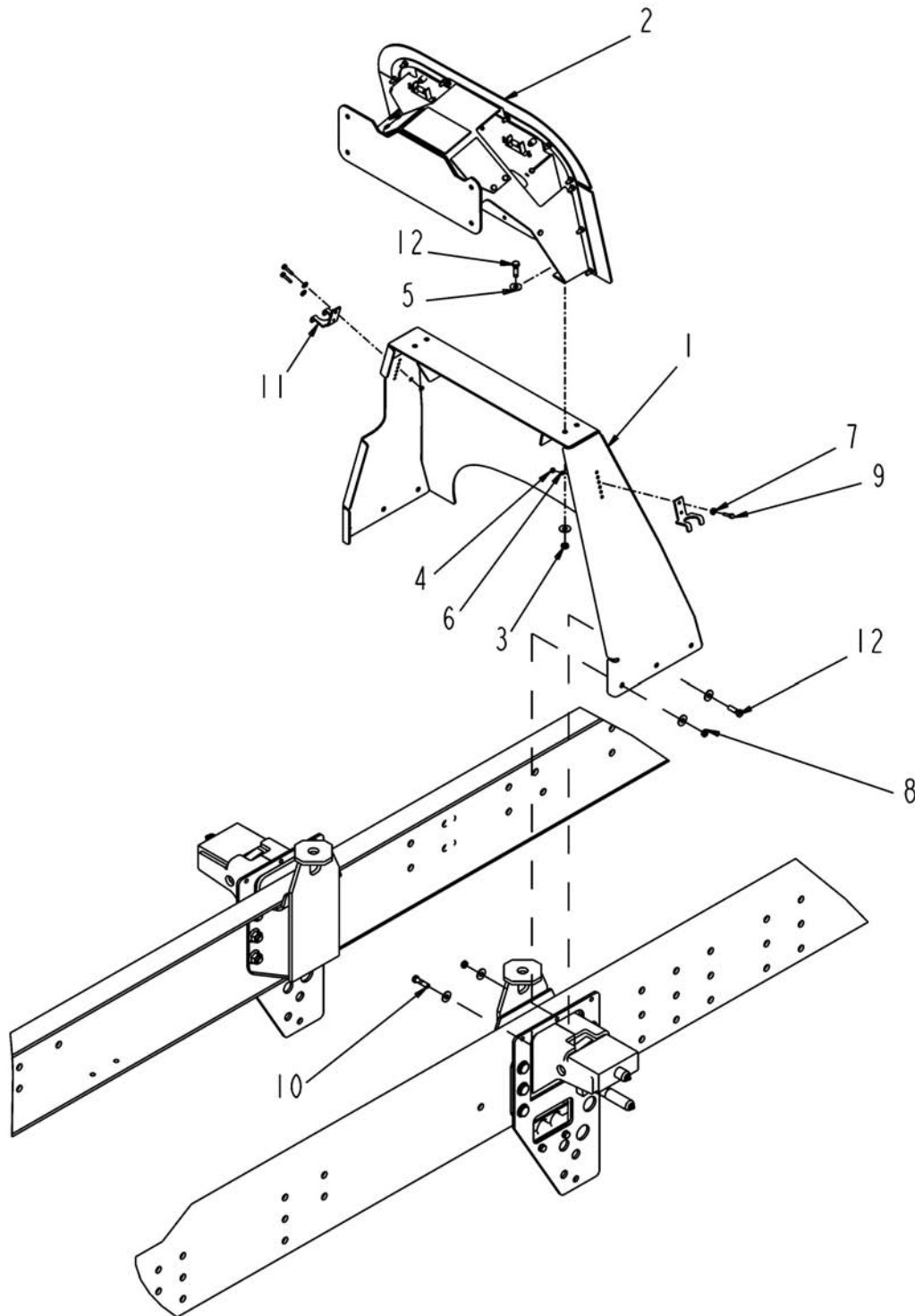
ITEM	PART #	QTY	DESCRIPTION	COMMENTS
1	WR11494	3	NUT-CENTERLOCK, 1/4	
2	AG550507	4	WASHER FL 0.25 ZN REG TYPE-B	
3	AG550698	3	BOLT 0.25-20NCX 1.00 G5 ZN HHD	
4	504406D1	-	HARN-LIGHTING,CHAS,RG,NON DOM	
5	505374D1	1	HARNES-BACKUP,8/10X4,RG	
6	505491D1	1	PLATE-MOUNT,BACKUP ALARM	
7	6579858	1	ALARM-BACKUP	



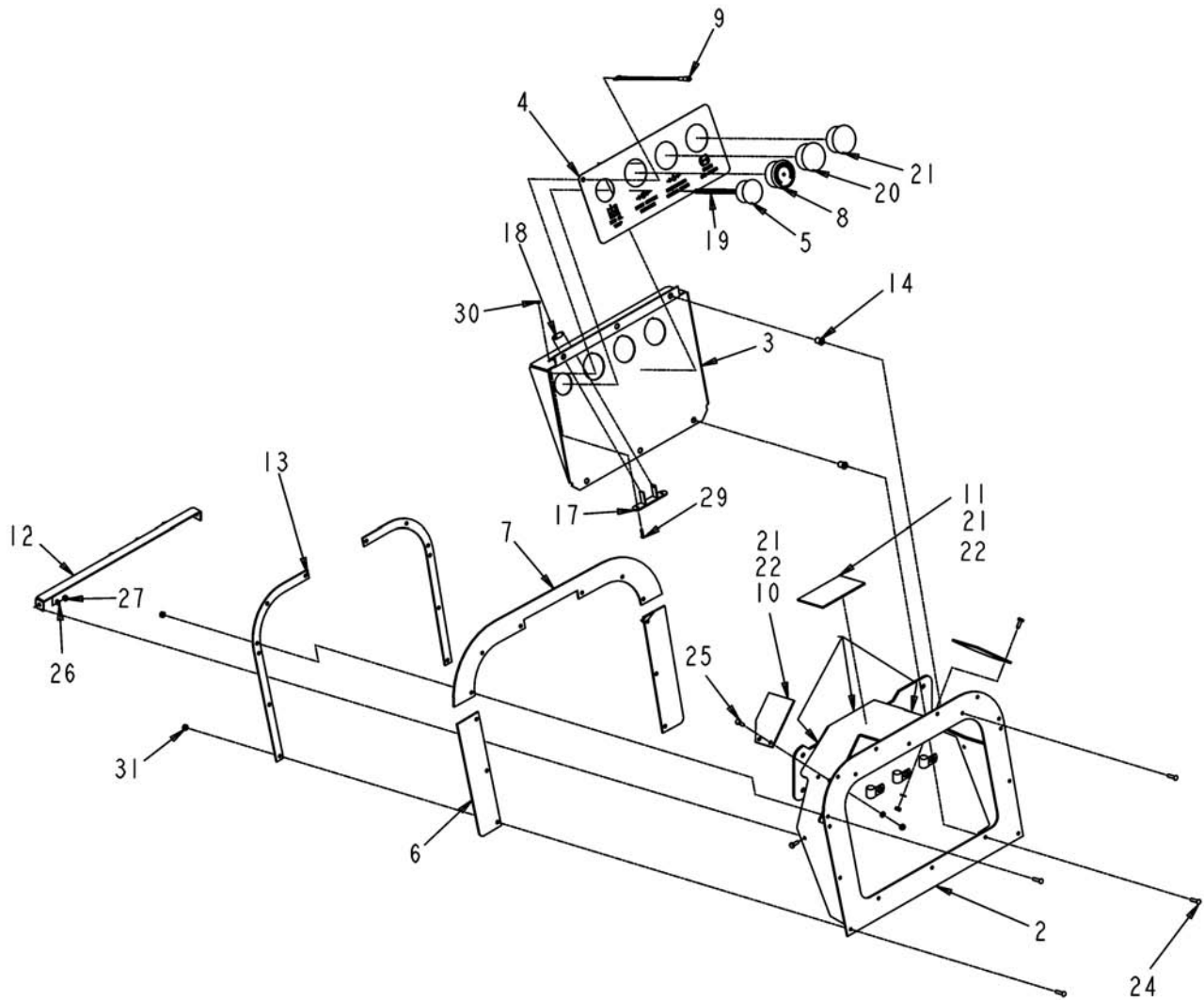
ITEM	PART #	QTY	DESCRIPTION	COMMENTS
1	AG051134	1	PLUG-PIPE,HEX,0.75NPT,PP	
2	AG120755	1	CABINET WLDMT-WASHER,PRESS	
3	AG121136	1	COVER WLDMT-CABINET,P/W WAND	
4	AG324178	1	HINGE-PRESSURE WASHER	
5	AG515121	5	WASHER 0.25 FL SS REG	
6	AG515122	9	WASHER LK 0.25 SS REG	
7	AG515123	9	NUT 0.25-20NC HEX SS REG	
8	AG519481	1	LATCH LEVER ADJUSTABLE	[A]
9	AG521048	9	SCR-.25-20NCX.75,SS,BTN HD,SKT	
10	AG522562	4	NUT-.38-16,SS,SFLG,H	
11	AG562046	12	WASHER FL 0.50 SS REG	
12	AG562388	1	PLUG BLACK 2.00 PLASTIC	
13	AG604416	1	PLUG BLK HOLE 0.75	
14	AG606730	2	PLUG BLK HOLE 0.81 PLASTIC	
15	AG607312	-	INSL SELF ADHES 0.12THKX0.50WD [BULK: 1.310 FT]	
16	AG609084	4	BOLT 0.37-16NCX 1.00 CRG SS409	
17	AG609855	1	PLUG BLK .56 PLASTIC	
	FOOTNOTE [A]		KEY FOR THIS LATCH. AG844463	
	FOOTNOTE [A]		CH 751 SAME KEY AS TERRA GATOR DOOR KEY FROM HANDLE AG605666	



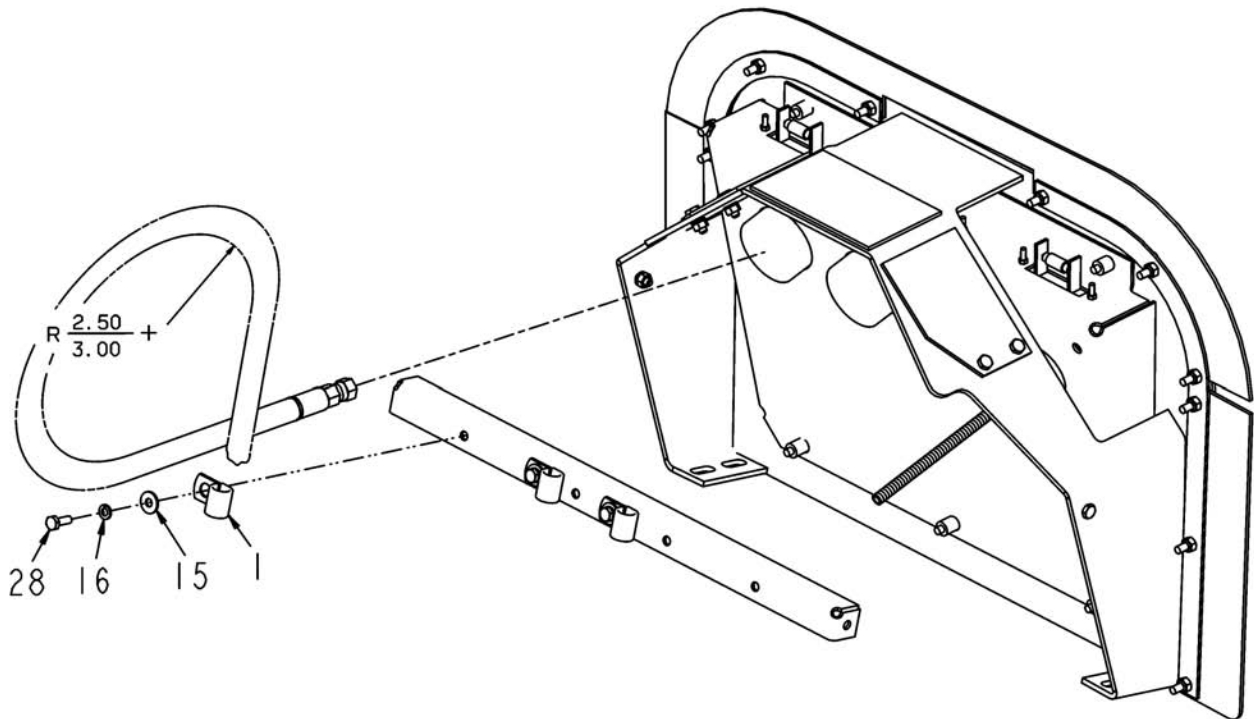
ITEM	PART #	QTY	DESCRIPTION	COMMENTS
1	AG121906	1	BARRIER-RECIRC,FRONT,FOAM	
2	AG121907	1	BARRIER-RECIRC,REAR,FOAM	
3	AG121908	1	PLATE-RECIRC,SNORKEL	
4	AG121910	1	BARRIER-RECIRC,HOOD	
5	AG124714	1	SEAL-RUBBER,RECIRC,HOOD	
6	AG124715	1	BRKT,SEAL,RECIRC	
7	AG127718	2	BARRIER-RECIRC,GRILLE BOTTOM	
8	AG512346	-	3M 1300 YELLOW ADHESIVE (GAL) [BULK: 0.001 GA]	[A]
9	AG551406	2	WASHER 0.43 FL ZN REG TYPE-B	
10	AG562050	2	WASHER LK 0.37 SS REG	
11	AG562051	5	WASHER LK 0.31 SS REG	
12	AG562074	5	WASHER FL 0.31 SS REG	
13	AG562076	5	BOLT 0.31-18NCX 1.00 S.S. HHD	
14	AG562090	5	NUT 0.31-18NC HEX SS REG	
15	AG562120	2	BOLT 0.37-16NCX 0.75 S.S. HHD	
16	AG604203	2	WASHER 0.75 FL ZN REG G8	
	FOOTNOTE [A]		AG717696 RUBBER ADHESIVE IN PINTS	



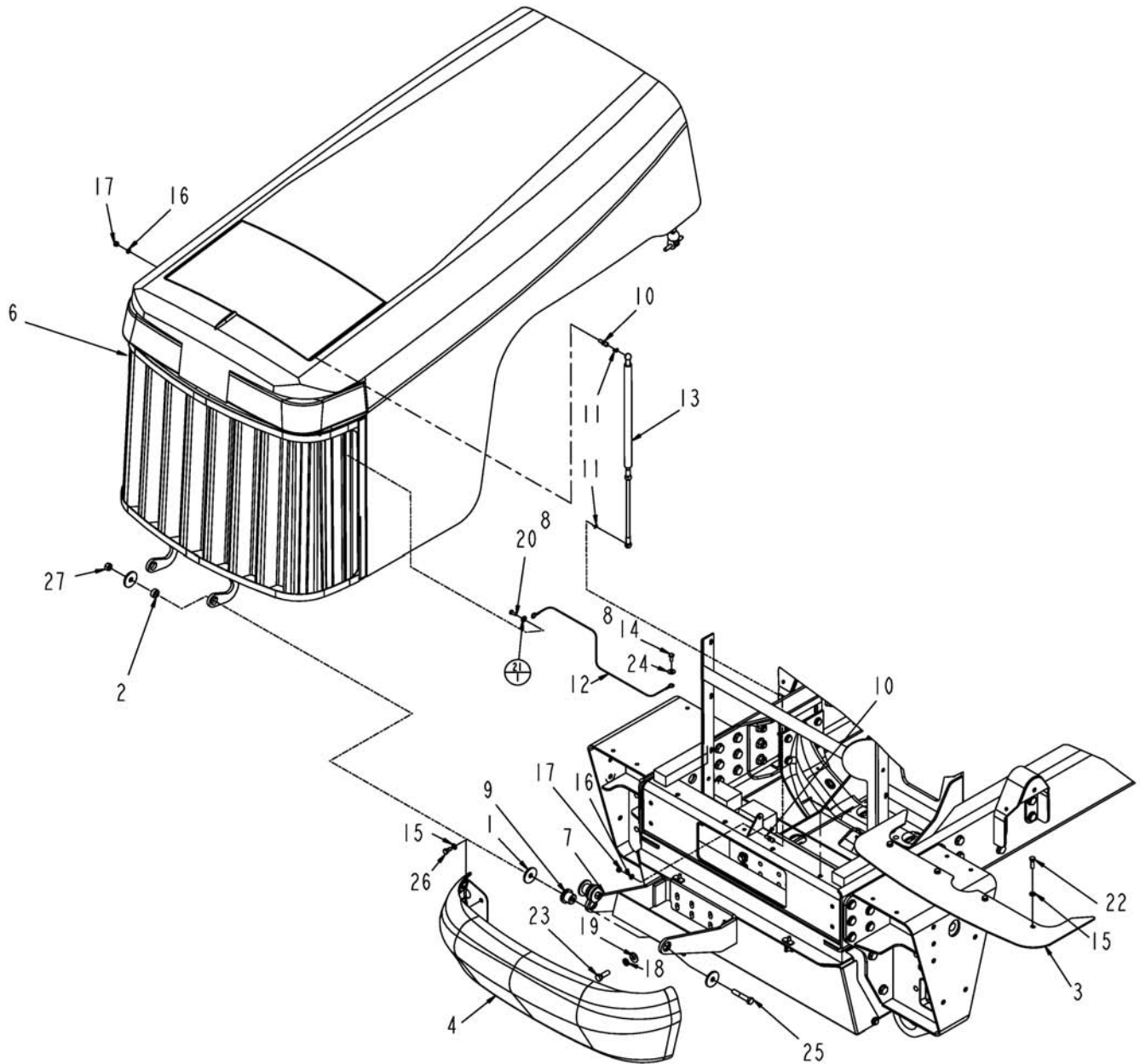
ITEM	PART #	QTY	DESCRIPTION	COMMENTS
1	AG121792	1	WELDMENT-FIREWALL	
2	AG125229	1	GAUGE ASM-PANEL,4 HOLE	SEE PAGE 10-4
3	AG515140	4	NUT 0.37-16NC SS HVY HX NY INS	
4	AG562061	4	NUT #10-24NC HEX SS REG	
5	AG562073	20	WASHER FL 0.37 SS REG	
6	AG562081	4	WASHER #10 LK SS REG	
7	AG562082	4	WASHER #10 FL SS SAE	
8	AG562123	6	NUT 0.37-16NC HEX SSC-LK	
9	AG562127	4	SCREW 10-24X1.00 MACH HHD SS	
10	AG562159	2	BOLT 0.37-16NCX 1.50 S.S. HHD	
11	AG600016	2	BRACKET HOOD 510327 (P)	
12	AG604167	8	BOLT 0.37-16NCX 1.25 S.S. HHD	



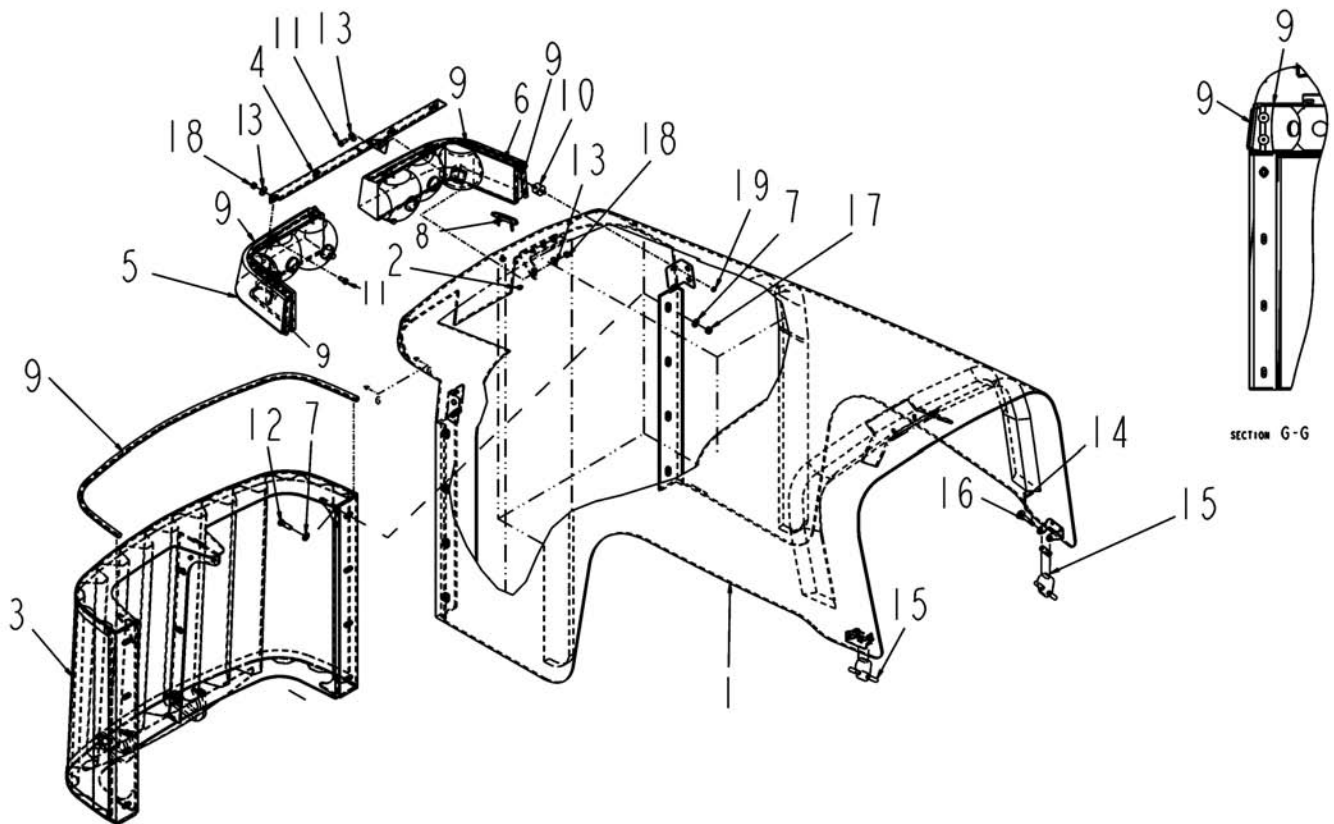
ITEM	PART #	QTY	DESCRIPTION	COMMENTS
1	WR55233	3	CLAMP-SUPPORT CUSHION,	
2	AG121788	1	GAUGE PANEL - WLDMT	
3	AG121791	1	PANEL-GAUGE	
4	AG121805	1	DECAL-FIREWALL GAUGES (4)	
5	AG121886	1	GAUGE-TEMP, 100F-220F,2.03D	
6	AG122821	2	SEAL-GAUGE PANEL,TOP	
7	AG122822	1	SEAL-GAUGE PANEL,SIDE	
8	AG125230	1	GAUGE-PRESS,0-7500,2.5D	
9	AG235002	1	INDICATOR ASM PANEL LAMP	SEE PAGE 7-36
10	AG261591	2	PLATE-WEAR,HOOD,SIDE	
11	AG261592	1	PLATE-WEAR,HOOD,TOP	
12	AG262203	1	BAR WLDMT-GAUGE HOSE	
13	AG262239	2	PLATE-BACKING	
14	AG514339	6	NUT WELL 0.25-20NC	
15	AG515121	3	WASHER 0.25 FL SS REG	
16	AG515122	3	WASHER LK 0.25 SS REG	
17	AG518884	3	LIGHT OUTSIDE PANEL	[A]
18	AG518967	3	LIGHT BULB OUTSIDE PANEL	
19	AG520125	-	CONDUIT HIGH TEMP .25 ID [BULK: 12.000 FT]	
20	AG522587	1	GAUGE-PRESS,0-800,2.5D	
21	AG522588	1	GAUGE-PRESS,0-600,2.5D	
22	AG523200	-	3M 94 1/2 PT TAPE PRIMER [BULK: 0.001 GA]	
23	AG523201	-	TAPE-ADHESIVE,4.00,HIGH BOND [BULK: 1.330 FT]	
24	AG523995	18	SCR-.25-20X1.00,G8,BLK,BHHS,CA	
25	AG550485	6	BOLT.25-20NCX.75 G5 ZN HHD	
26	AG550493	6	WASHER LK 0.25 ZN REG	
27	AG550612	6	NUT 0.25-20NC HEX ZN REG	
28	AG562054	3	BOLT 0.25-20NCX 0.75 S.S. HHD	
29	AG562067	6	SCREW 8-32X 0.75 MA SS SL RHD	
30	AG563176	6	NUT-8-32,SS,NYLOCK,HEX	
31	AG604216	12	NUT 0.25-20NC ZN LGT HEX NY IN	
	FOOTNOTE [A]		BULB AG518967	



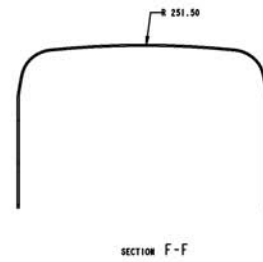
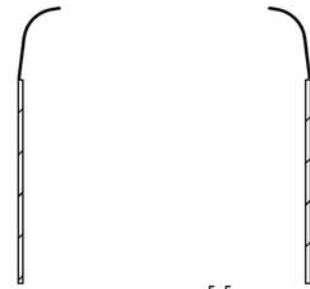
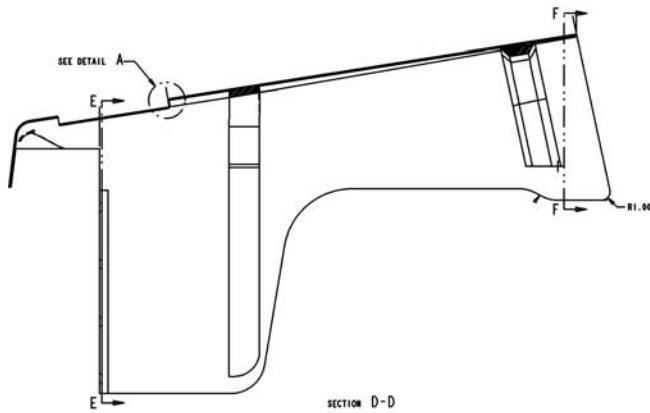
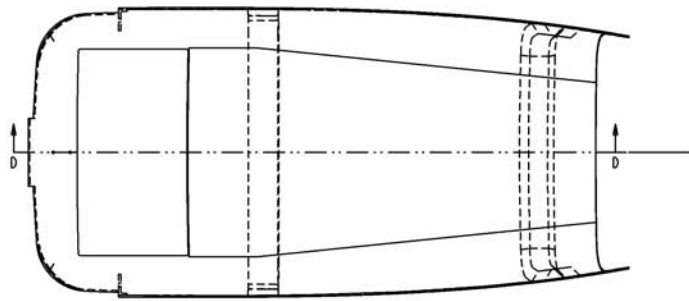
ITEM	PART #	QTY	DESCRIPTION	COMMENTS
1	WR55233	3	CLAMP-SUPPORT CUSHION,	
2	AG121788	1	GAUGE PANEL - WLDMT	
3	AG121791	1	PANEL-GAUGE	
4	AG121805	1	DECAL-FIREWALL GAUGES (4)	
5	AG121886	1	GAUGE-TEMP, 100F-220F,2.03D	
6	AG122821	2	SEAL-GAUGE PANEL,TOP	
7	AG122822	1	SEAL-GAUGE PANEL,SIDE	
8	AG125230	1	GAUGE-PRESS,0-7500,2.5D	
9	AG235002	1	INDICATOR ASM PANEL LAMP	SEE PAGE 7-36
10	AG261591	2	PLATE-WEAR,HOOD,SIDE	
11	AG261592	1	PLATE-WEAR,HOOD,TOP	
12	AG262203	1	BAR WLDMT-GAUGE HOSE	
13	AG262239	2	PLATE-BACKING	
14	AG514339	6	NUT WELL 0.25-20NC	
15	AG515121	3	WASHER 0.25 FL SS REG	
16	AG515122	3	WASHER LK 0.25 SS REG	
17	AG518884	3	LIGHT OUTSIDE PANEL	[A]
18	AG518967	3	LIGHT BULB OUTSIDE PANEL	
19	AG520125	-	CONDUIT HIGH TEMP .25 ID [BULK: 12.000 FT]	
20	AG522587	1	GAUGE-PRESS,0-800,2.5D	
21	AG522588	1	GAUGE-PRESS,0-600,2.5D	
22	AG523200	-	3M 94 1/2 PT TAPE PRIMER [BULK: 0.001 GA]	
23	AG523201	-	TAPE-ADHESIVE,4.00,HIGH BOND [BULK: 1.330 FT]	
24	AG523995	18	SCR-.25-20X1.00,G8,BLK,BHHS,CA	
25	AG550485	6	BOLT.25-20NCX.75 G5 ZN HHD	
26	AG550493	6	WASHER LK 0.25 ZN REG	
27	AG550612	6	NUT 0.25-20NC HEX ZN REG	
28	AG562054	3	BOLT 0.25-20NCX 0.75 S.S. HHD	
29	AG562067	6	SCREW 8-32X 0.75 MA SS SL RHD	
30	AG563176	6	NUT-8-32,SS,NYLOCK,HEX	
31	AG604216	12	NUT 0.25-20NC ZN LGT HEX NY IN	
	FOOTNOTE [A]		BULB AG518967	



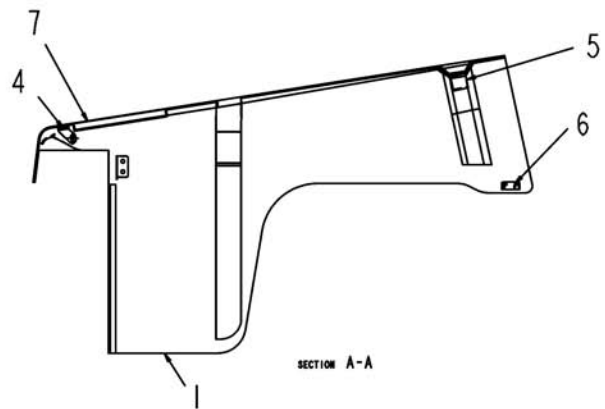
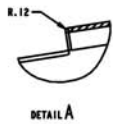
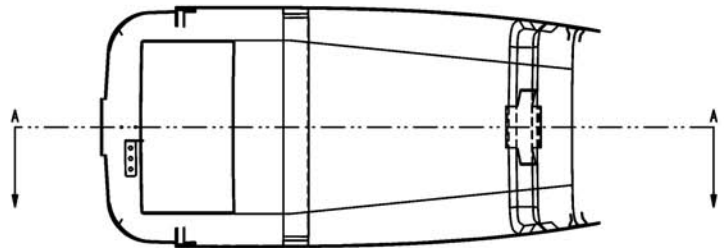
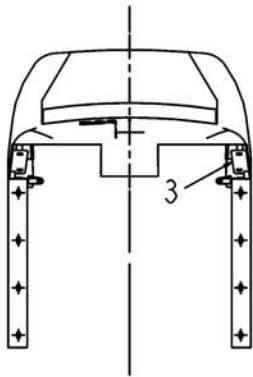
ITEM	PART #	QTY	DESCRIPTION	COMMENTS
1	AG109445	6	WASHER-SHOCK MOUNT	
2	AG120283	2	BUSHING-HOOD HINGE	
3	AG121771	1	PLATE,RECIRC AIR BLOCK	
4	AG122221	1	COVER-BUMPER,MOLDED,SHORT	
5	AG123902	1	BARRIER-RECIRC INSTL	SEE PAGE 10-2
6	AG127228	1	ASSEMBLY-HOOD,ROGATOR	SEE PAGE 10-6
7	AG127230	1	WLDMT-HOOD MOUNT	
8	AG512885	AR	LOCTITE ADHESIVE SEALANT BLUE	
9	AG518511	2	NUT FLANGE .38-24 UNF	
10	AG519742	2	MOUNT-CENTER BONDED	
11	AG521657	1	TETHER-HOOD,.06DIA X26.50,SS	
12	AG522406	1	SPRING-GAS,250LB,10.00 STROKE	
13	AG550183	1	BOLT 0.31-18NCX 0.75 G5 ZN HHD	
14	AG550191	8	WASHER LK 0.37 ZN REG	
15	AG550264	8	WASHER 0.50 LK ZN REG	
16	AG550353	8	WASHER 0.50 FL ZN REG TYPE-B	
17	AG550485	1	BOLT.25-20NCX.75 G5 ZN HHD	
18	AG550507	1	WASHER FL 0.25 ZN REG TYPE-B	
19	AG550515	4	BOLT 0.37-16NCX 1.25 G5 ZN HHD	
20	AG550817	8	BOLT 0.50-13NCX 1.50 G5 ZN HHD	
21	AG551015	1	WASHER 0.31 FL ZN REG TYPE-B	
22	AG551392	2	BOLT 0.50-13NCX 2.75 G5 ZN HHD	
23	AG551503	4	BOLT 0.37-16NCX 0.75 G5 ZN HHD	
24	AG601152	2	NUT 0.50-13NC HEX ZN REG NY	
25	6586162	2	BALL STUD	
26	6646598	2	CLIP-STUD	



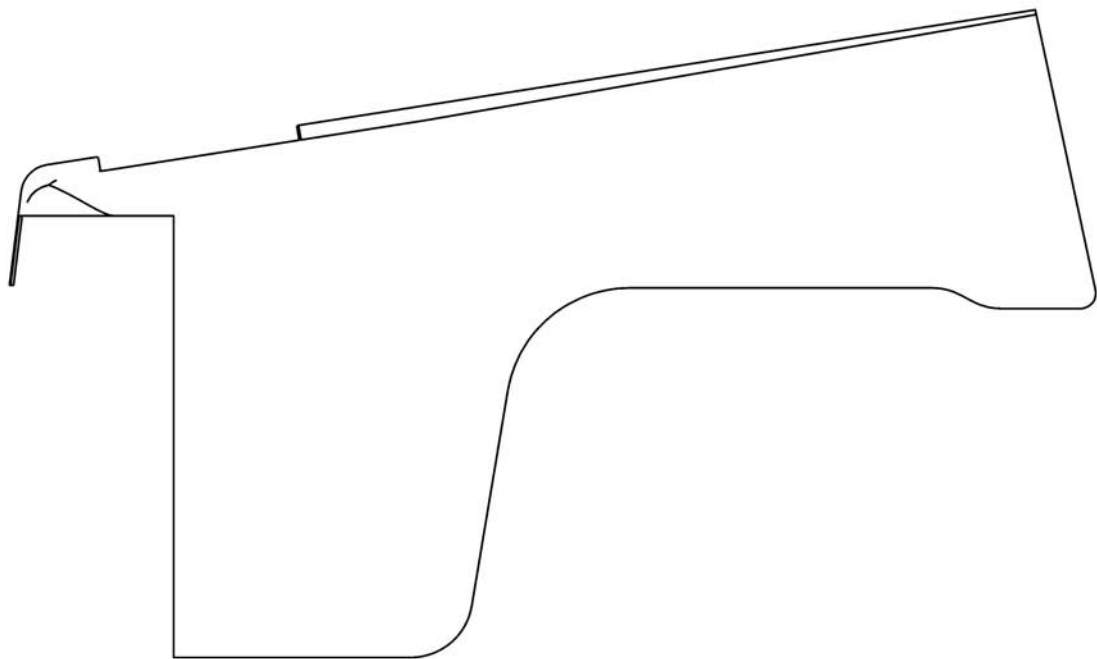
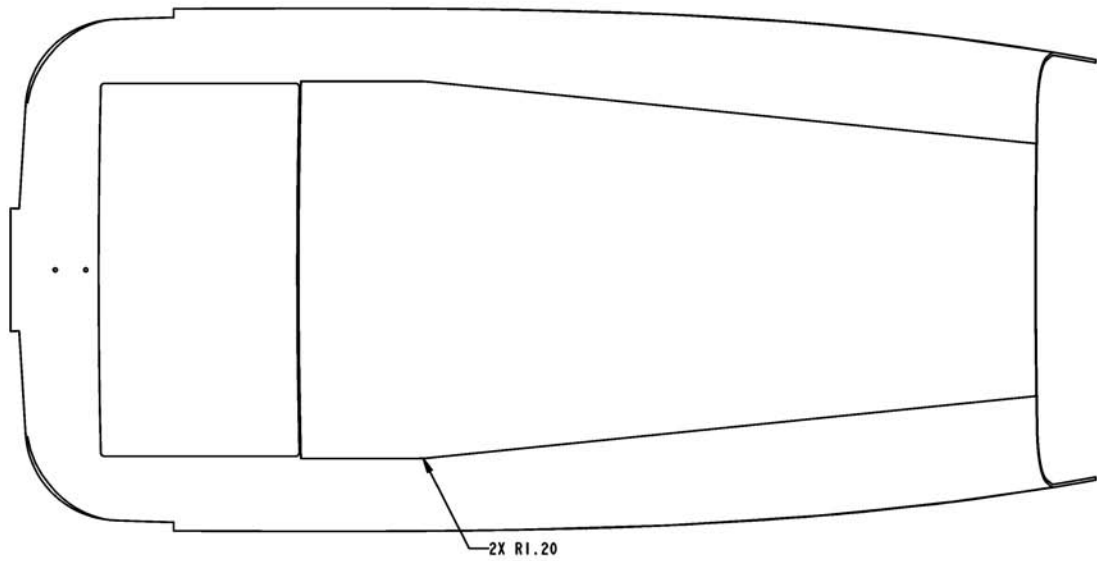
ITEM	PART #	QTY	DESCRIPTION	COMMENTS
1	AG121901	1	HOOD-ENGINE,ROGATOR	SEE PAGE 10-7
2	AG123817	2	NUT-M5 PALNUT, SELF TAP	
3	AG127229	1	GRILLE WLDMT	
4	AG262234	1	PIVOT WLDMT-ADJUST,HEADLIGHT	
5	AG327683	1	HEADLIGHT-HALOGEN,WRAPPING,LH	[A]
6	AG327684	1	HEADLIGHT-HALOGEN,WRAPPING,RH	[B]
7	AG514559	16	WASHER 0.37 FL ZN SAE G8	
8	AG521283	1	SIGHT-HOOD	
9	AG521420	-	SEAL-RUBBER [BULK: 7.667 FT]	
10	AG523877	4	MOUNT-STUD,CYLINDRICAL,M6-1.00	
11	AG550183	5	BOLT 0.31-18NCX 0.75 G5 ZN HHD	
12	AG550515	8	BOLT 0.37-16NCX 1.25 G5 ZN HHD	
13	AG551015	6	WASHER 0.31 FL ZN REG TYPE-B	
14	AG554855	2	PIN COTTER 0.12X1.00 ZN	
15	AG600008	2	HOOK RUBBER 510327 (P)	[C]
16	AG601225	2	PIN ANCHOR 510327 W/O CTKEY(P)	
17	AG601411	8	NUT 0.37-16NC HEX ZN REG LK NY	
18	AG601888	5	NUT 0.31-18NC HEX ZN REG NY	
19	AG713398	4	LOCK NUT M6	
	FOOTNOTE [A]		FOR REPLACEMENT BULB USE AG523906	
	FOOTNOTE [B]		FOR REPLACEMENT BULB USE AG523906	
	FOOTNOTE [C]		AG608908 IS ABOUT 1 SHORTER	



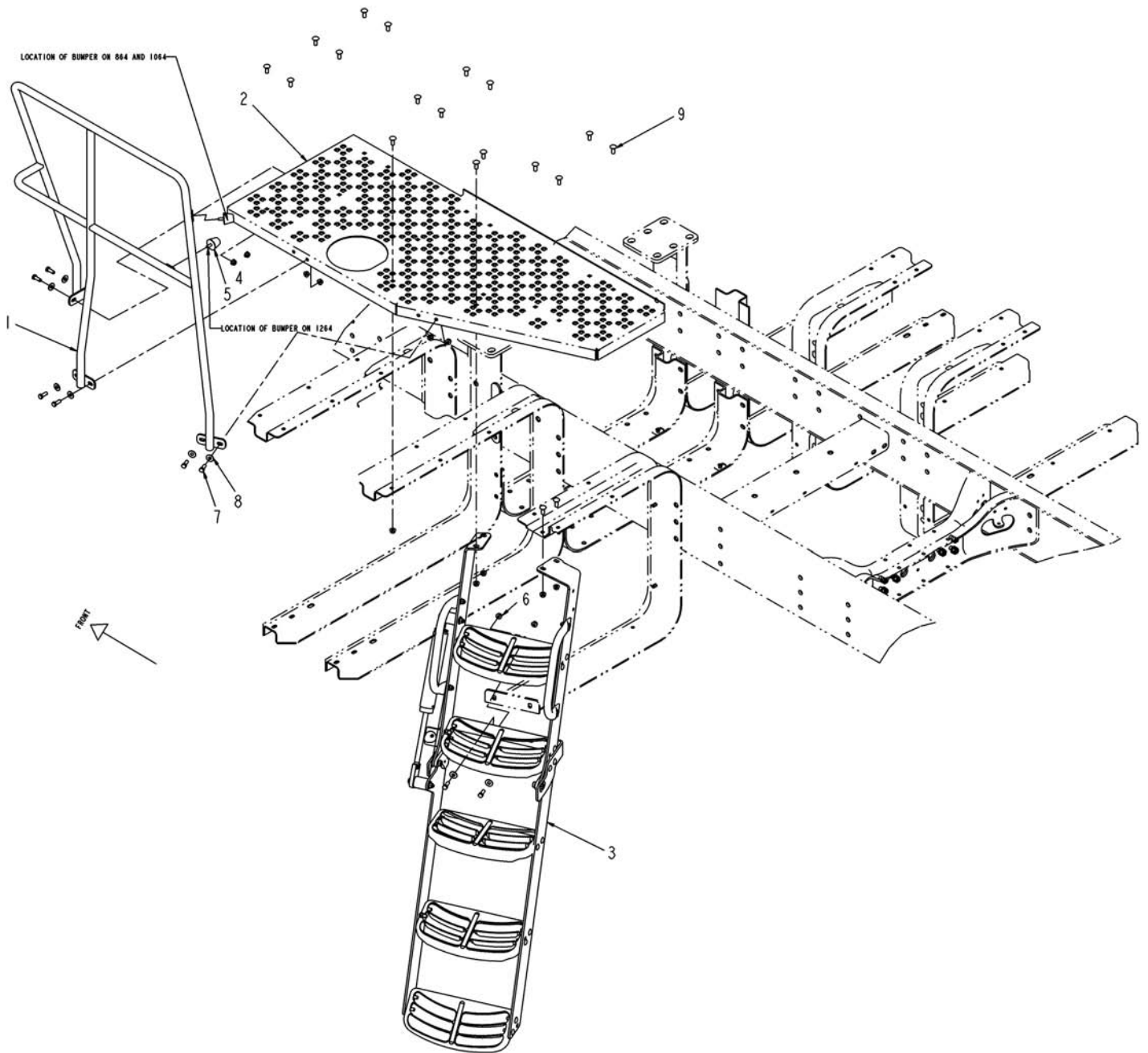
ITEM	PART #	QTY	DESCRIPTION	COMMENTS
2	AG122061	1	BRKT-MTG,LIGHT,REAR,RH	
3	AG122062	1	BRKT-MTG,LIGHT,REAR,LH	
4	AG262466	1	BRACKET-HEADLIGHT,HOOD	
5	AG324356	1	PLATE-WEAR,HOOD	
6	503581D1	2	BRACKET-ANCHOR,HOOD	
7	AG323928	1	SCREEN-HOOD	[A]
	FOOTNOTE [A]		COMPLETE HOOD UNIT - AG504257	



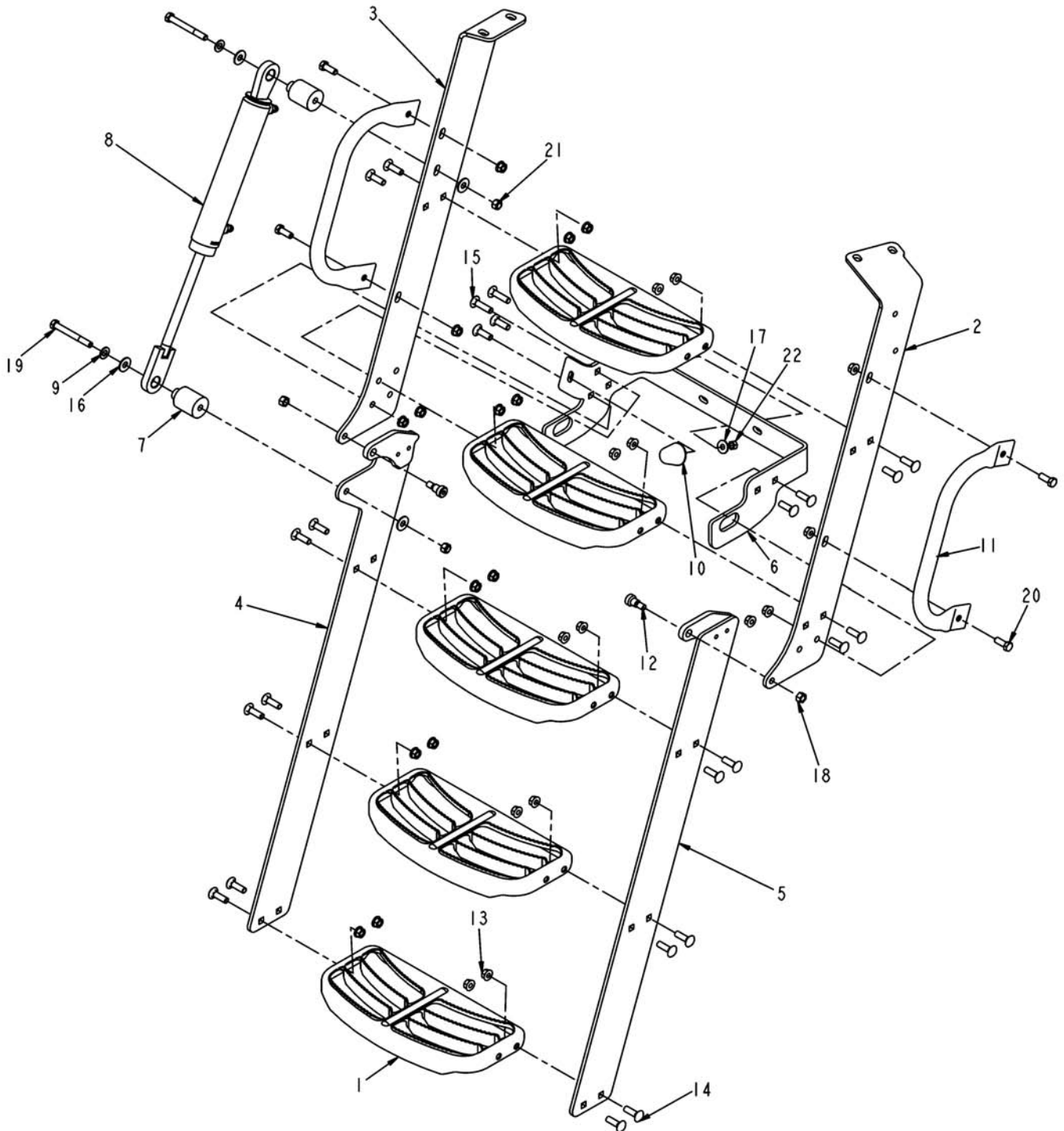
ITEM	PART #	QTY	DESCRIPTION	COMMENTS
2	AG122061	1	BRKT-MTG,LIGHT,REAR,RH	
3	AG122062	1	BRKT-MTG,LIGHT,REAR,LH	
4	AG262466	1	BRACKET-HEADLIGHT,HOOD	
5	AG324356	1	PLATE-WEAR,HOOD	
6	503581D1	2	BRACKET-ANCHOR,HOOD	
7	AG323928	1	SCREEN-HOOD	[A]
	FOOTNOTE [A]		COMPLETE HOOD UNIT - AG504257	



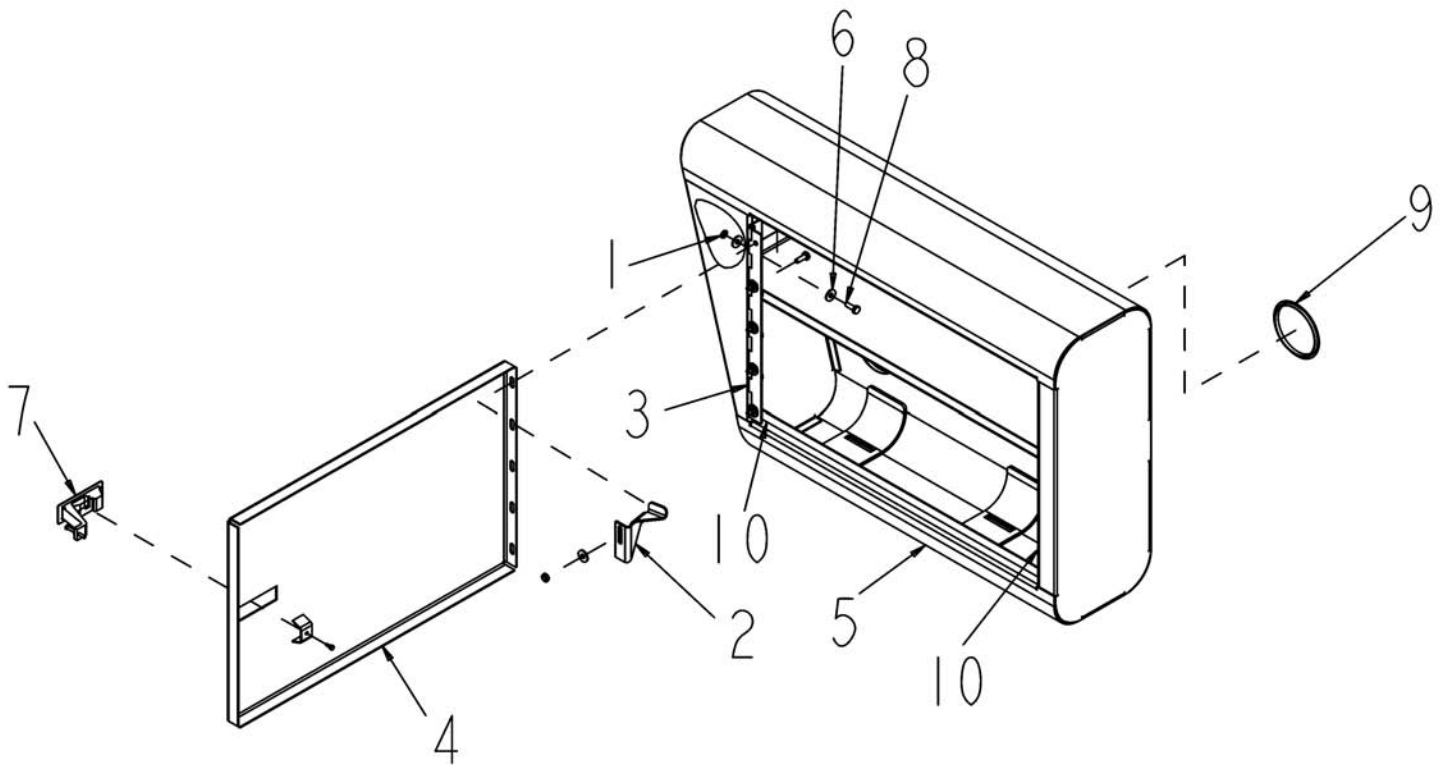
ITEM	PART #	QTY	DESCRIPTION	COMMENTS
2	AG122061	1	BRKT-MTG,LIGHT,REAR,RH	
3	AG122062	1	BRKT-MTG,LIGHT,REAR,LH	
4	AG262466	1	BRACKET-HEADLIGHT,HOOD	
5	AG324356	1	PLATE-WEAR,HOOD	
6	503581D1	2	BRACKET-ANCHOR,HOOD	
7	AG323928	1	SCREEN-HOOD	[A]
	FOOTNOTE [A]		COMPLETE HOOD UNIT - AG504257	



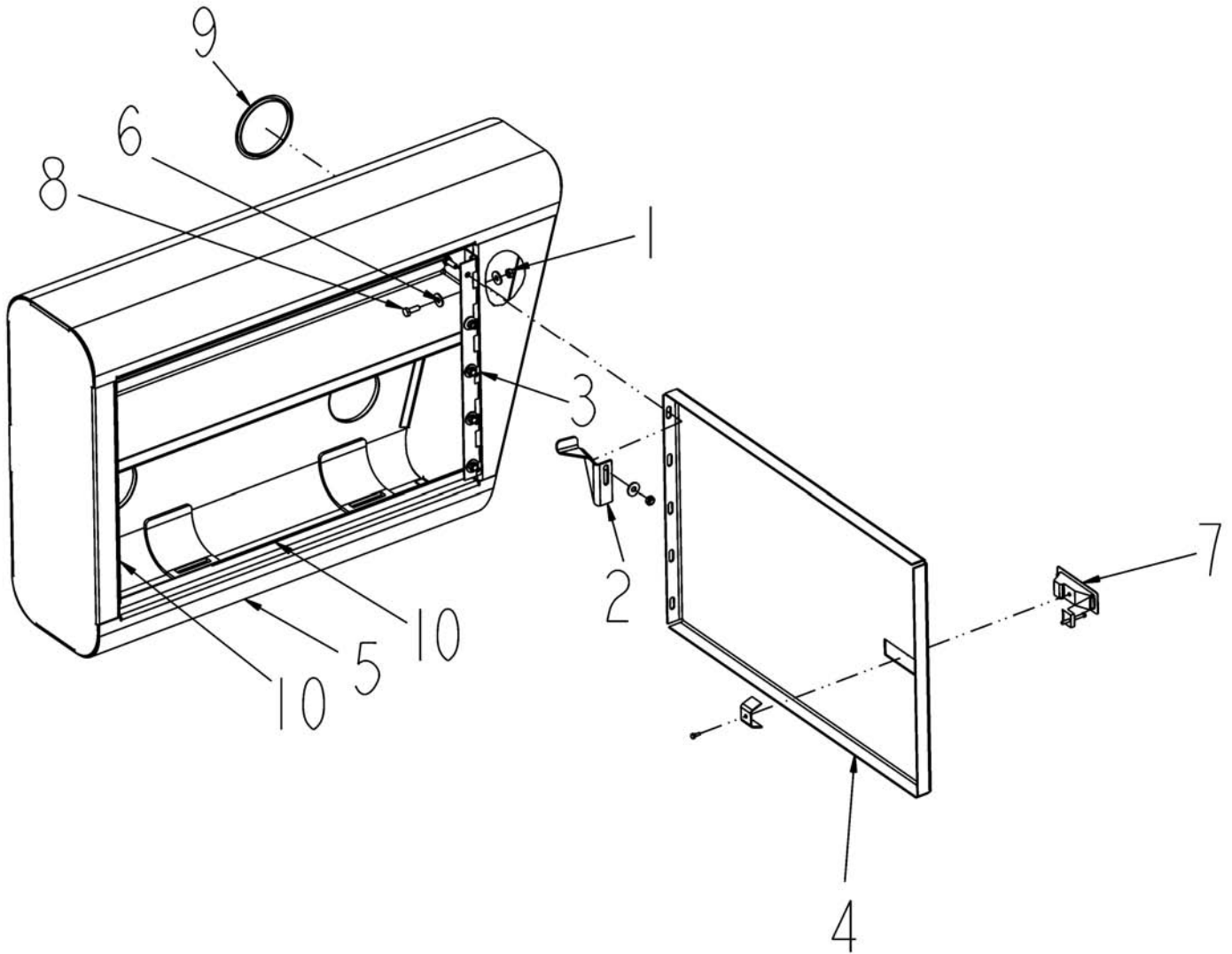
ITEM	PART #	QTY	DESCRIPTION	COMMENTS
1	AG130020	1	HANDRAIL WLDMT-PLATFORM	
2	AG130449	1	PLATFORM-ENTRANCE, CAB	
3	AG132274	1	LADDER ASM-ENTRANCE	SEE PAGE 10-9
4	AG512885	AR	LOCTITE ADHESIVE SEALANT BLUE	
5	AG519802	1	BUMPER, RUBBER VIBRATION	
6	AG522562	27	NUT-.38-16,SS,SFLG,H	
7	AG562048	8	BOLT 0.37-16NCX 1.00 S.S. HHD	
8	AG562073	8	WASHER FL 0.37 SS REG	
9	AG609084	19	BOLT 0.37-16NCX 1.00 CRG SS409	



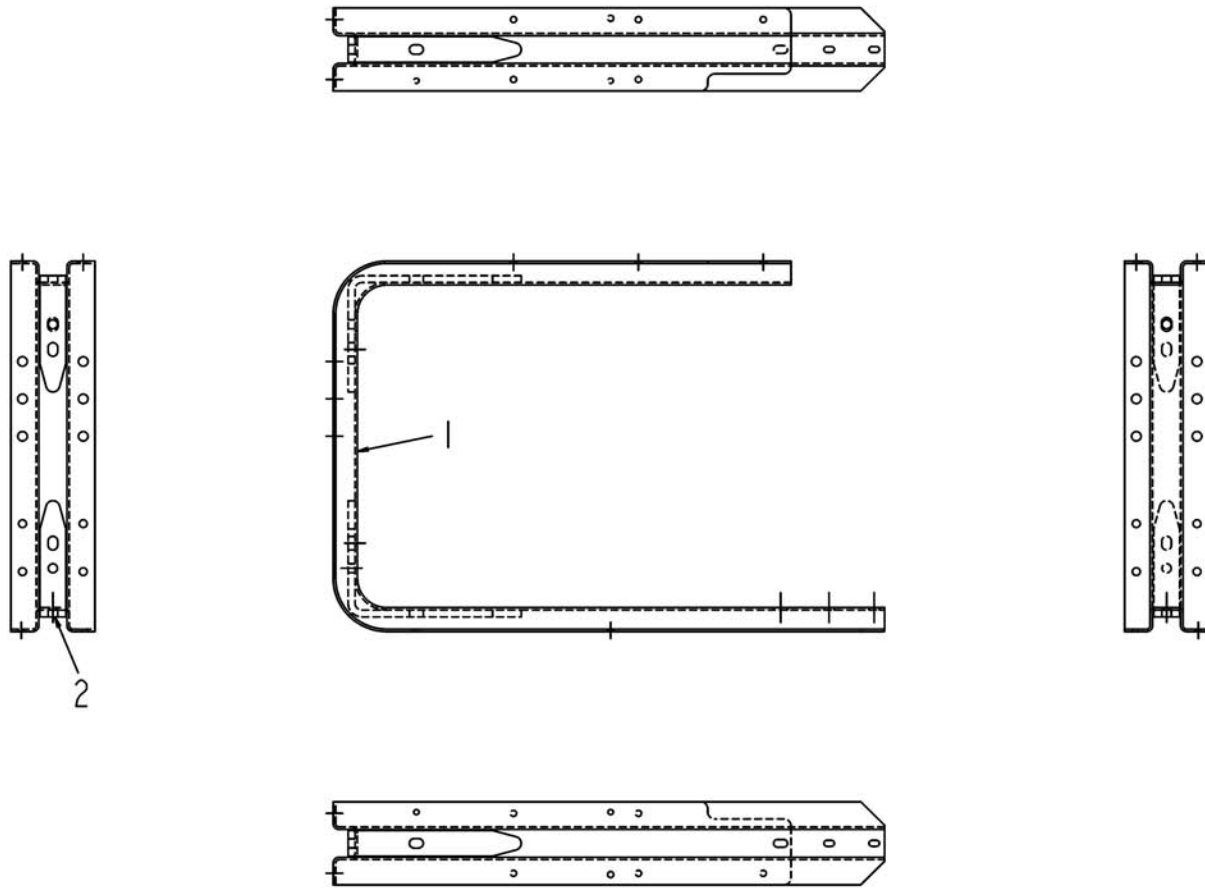
ITEM	PART #	QTY	DESCRIPTION	COMMENTS
1	AG130450	5	STEP-ENTRANCE,STAMPED,STEEL	
2	AG132277	1	STRINGER-LADDER,UPPER,RH	
3	AG132278	1	STRINGER-LADDER,UPPER,LH	
4	AG132280	1	STRINGER WLDMT-LADDER,LWR,LH	
5	AG132281	1	STRINGER WLDMT-LADDER,LWR,RH	
6	AG132283	1	BRACKET-LADDER SUPPORT	
7	AG262883	2	SPACER-UPPER,LADDER	
8	AG262994	1	CYLINDER ASM-HYD,LADDER	SEE PAGE 5-23
9	AG514559	2	WASHER 0.37 FL ZN SAE G8	
10	AG519802	1	BUMPER, RUBBER VIBRATION	
11	AG520929	2	HANDLE-TUBULAR	
12	AG521342	2	BOLT-.38-16X.50DX.50,S,SH	
13	AG522562	28	NUT-.38-16,SS,SFLG,H	
14	AG522572	2	BOLT-.38-16X1.50,SS,CRG	
15	AG551007	4	WASHER FL 0.37 ZN REG TYPE-B	
16	AG551015	1	WASHER 0.31 FL ZN REG TYPE-B	
17	AG557676	2	NUT 0.37-16NC HEX ZN C-LK	
18	AG562013	2	BOLT 0.37-16NCX 3.25 G8 ZN HDD	
19	AG562048	4	BOLT 0.37-16NCX 1.00 S.S. HDD	
20	AG601411	2	NUT 0.37-16NC HEX ZN REG LK NY	
21	AG601888	1	NUT 0.31-18NC HEX ZN REG NY	
22	AG609084	22	BOLT 0.37-16NCX 1.00 CRG SS409	



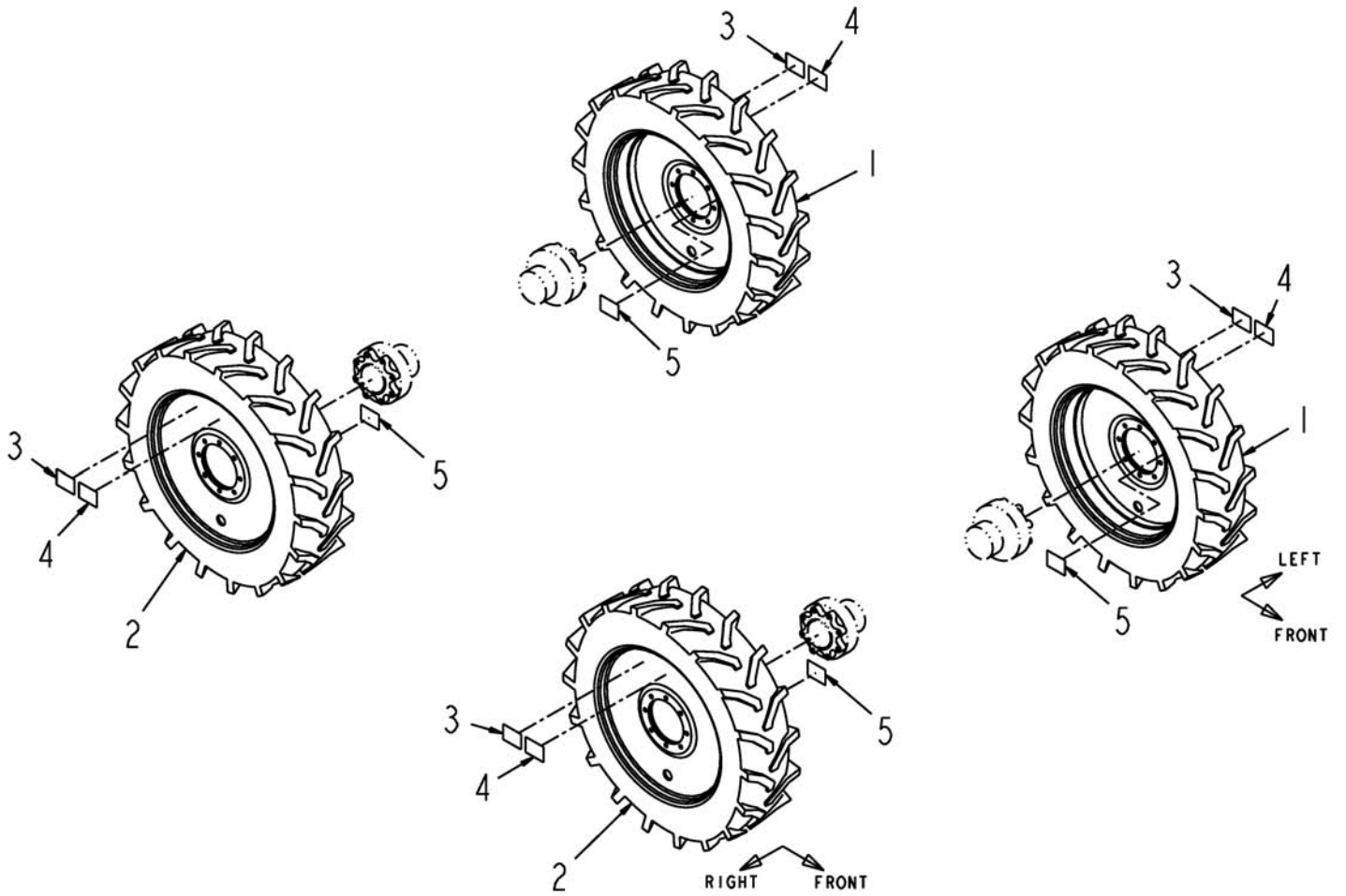
ITEM	PART #	QTY	DESCRIPTION	COMMENTS
REF	AG844463	-	DOOR KEY (605666)	
1	AG027275	9	NUT,NY-LOCK 1/4-20 SS HX (P)	
2	AG260223	1	PLATE-DOOR STOP,LEFT	
3	AG324178	1	HINGE-PRESSURE WASHER	
4	AG421609	1	COVER-CABINET,PRESSURE WASHER	
5	AG502783	1	CABINET-TOOL,LH	
6	AG515121	13	WASHER 0.25 FL SS REG	
7	AG519481	1	LATCH LEVER ADJUSTABLE	[A]
8	AG521048	9	SCR-.25-20NCX.75,SS,BTN HD,SKT	
9	AG522742	4	PLUG-BLK,HOLE,3.375,POLY	
10	AG607312	-	INSL SELF ADHES 0.12THKX0.50WD [BULK: 5.000 FT]	
	FOOTNOTE [A]		KEY FOR THIS LATCH. AG844463	
	FOOTNOTE [A]		CH 751 SAME KEY AS TERRA GATOR DOOR KEY FROM HANDLE AG605666	



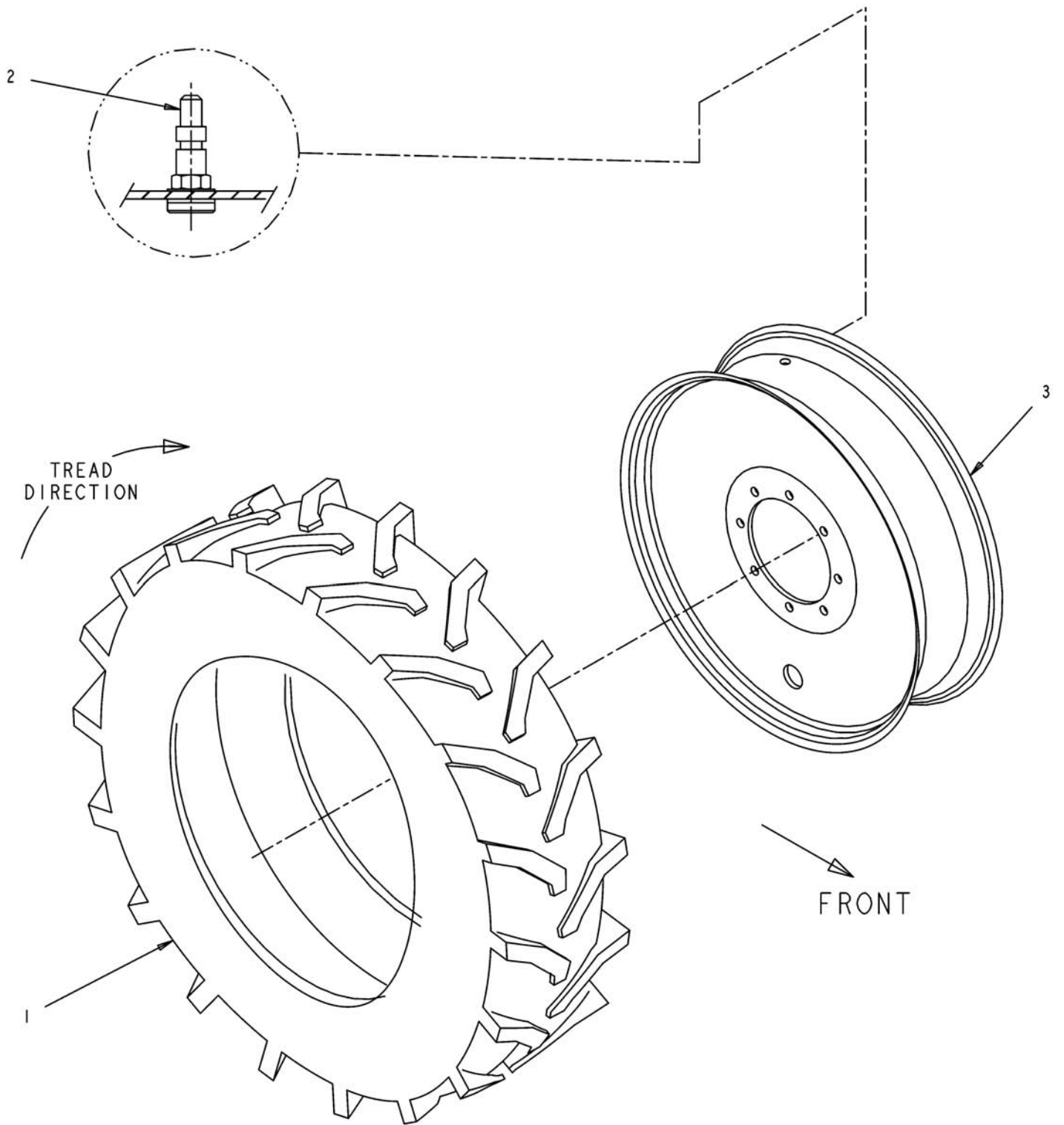
ITEM	PART #	QTY	DESCRIPTION	COMMENTS
REF	AG844463	-	DOOR KEY (605666)	
1	AG027275	9	NUT,NY-LOCK 1/4-20 SS HX (P)	
2	AG260222	1	PLATE-DOOR STOP,RIGHT	
3	AG324178	1	HINGE-PRESSURE WASHER	
4	AG421609	1	COVER-CABINET,PRESSURE WASHER	
5	AG502782	1	CABINET-TOOL,RH	
6	AG515121	13	WASHER 0.25 FL SS REG	
7	AG519481	1	LATCH LEVER ADJUSTABLE	[A]
8	AG521048	9	SCR-.25-20NCX.75,SS,BTN HD,SKT	
9	AG522742	4	PLUG-BLK,HOLE,3.375,POLY	
10	AG607312	-	INSL SELF ADHES 0.12THKX0.50WD [BULK: 5.000 FT]	
	FOOTNOTE [A]		KEY FOR THIS LATCH. AG844463	
	FOOTNOTE [A]		CH 751 SAME KEY AS TERRA GATOR DOOR KEY FROM HANDLE AG605666	



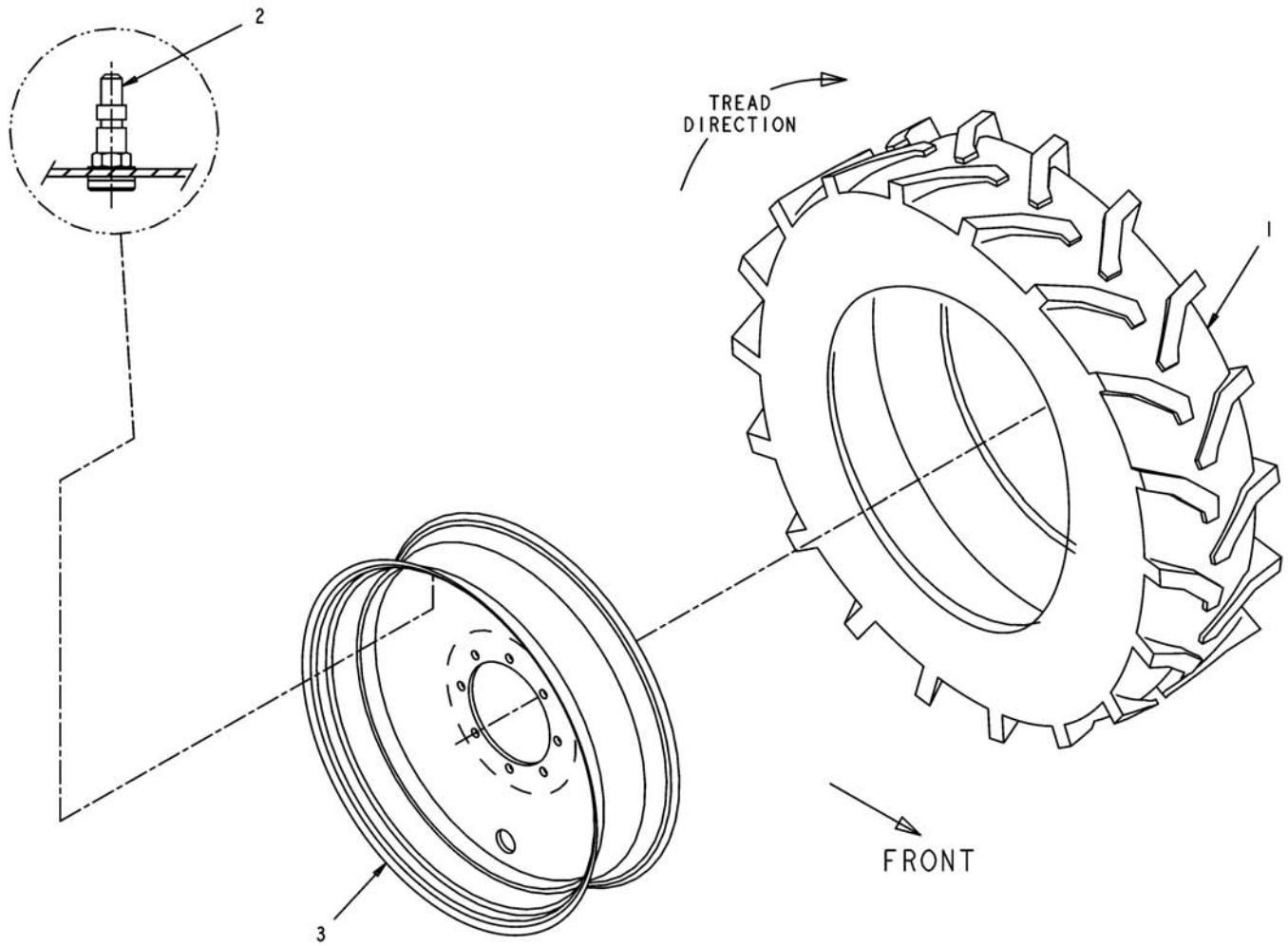
ITEM	PART #	QTY	DESCRIPTION	COMMENTS
1	AG130051	1	BRKT-MTG,FUEL RES & PLATFORM	
2	AG326808	2	BRKT-REINFORCEMENT	



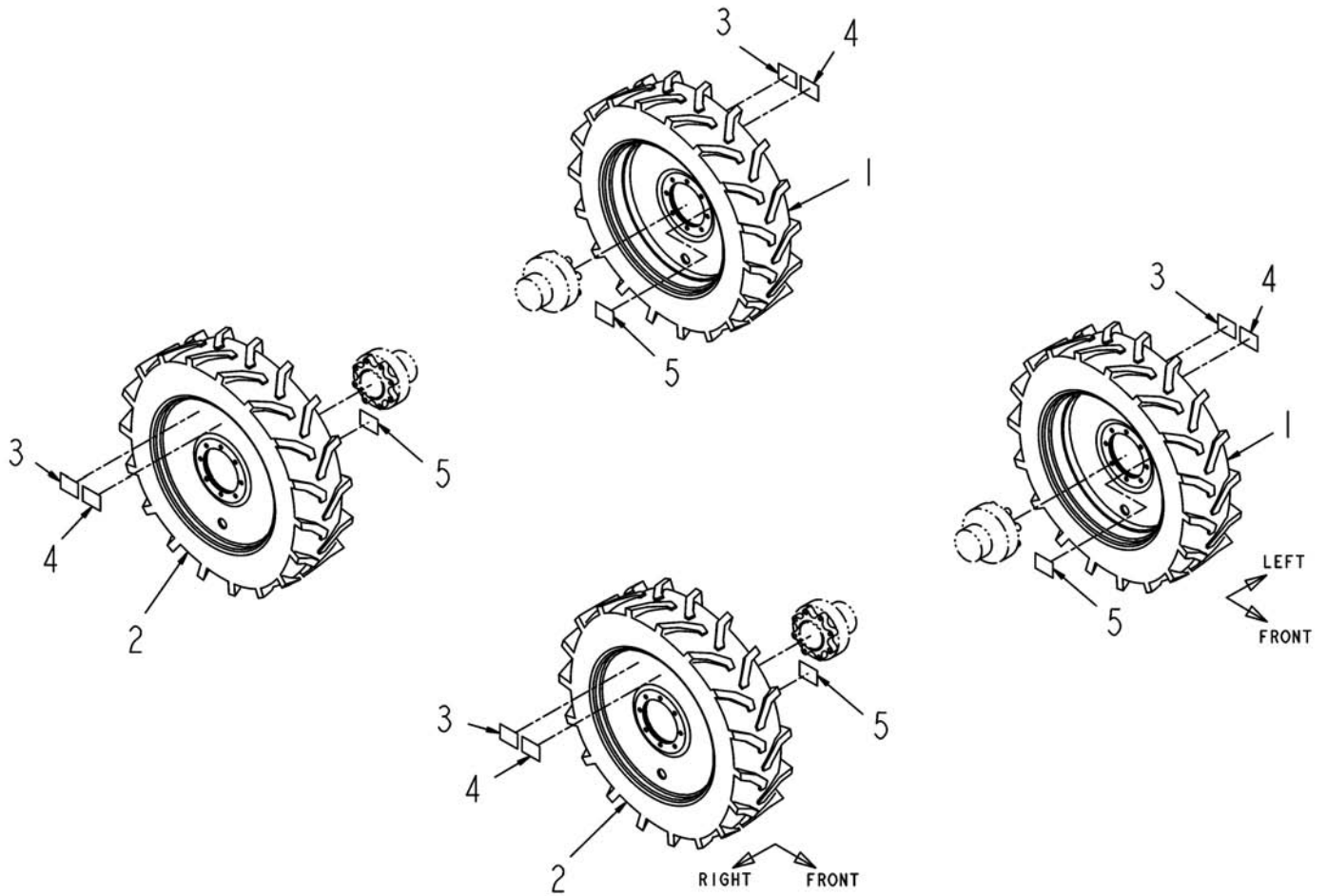
ITEM	PART #	QTY	DESCRIPTION	COMMENTS
1	AG122483	2	RIM/TIRE ASM-380/90R46,LH,BB6	SEE PAGE 11-3
2	AG122482	2	TIRE/RIM ASM-380/90R46,RH,BB6	SEE PAGE 11-2
3	AG125836	4	DECAL-CAUTION,WHEEL MTG	
4	AG262948	4	DECAL-WARNING,REPL TIRE,ENG	
5	AG121905	4	DECAL-WARNING,TIRE INFL	



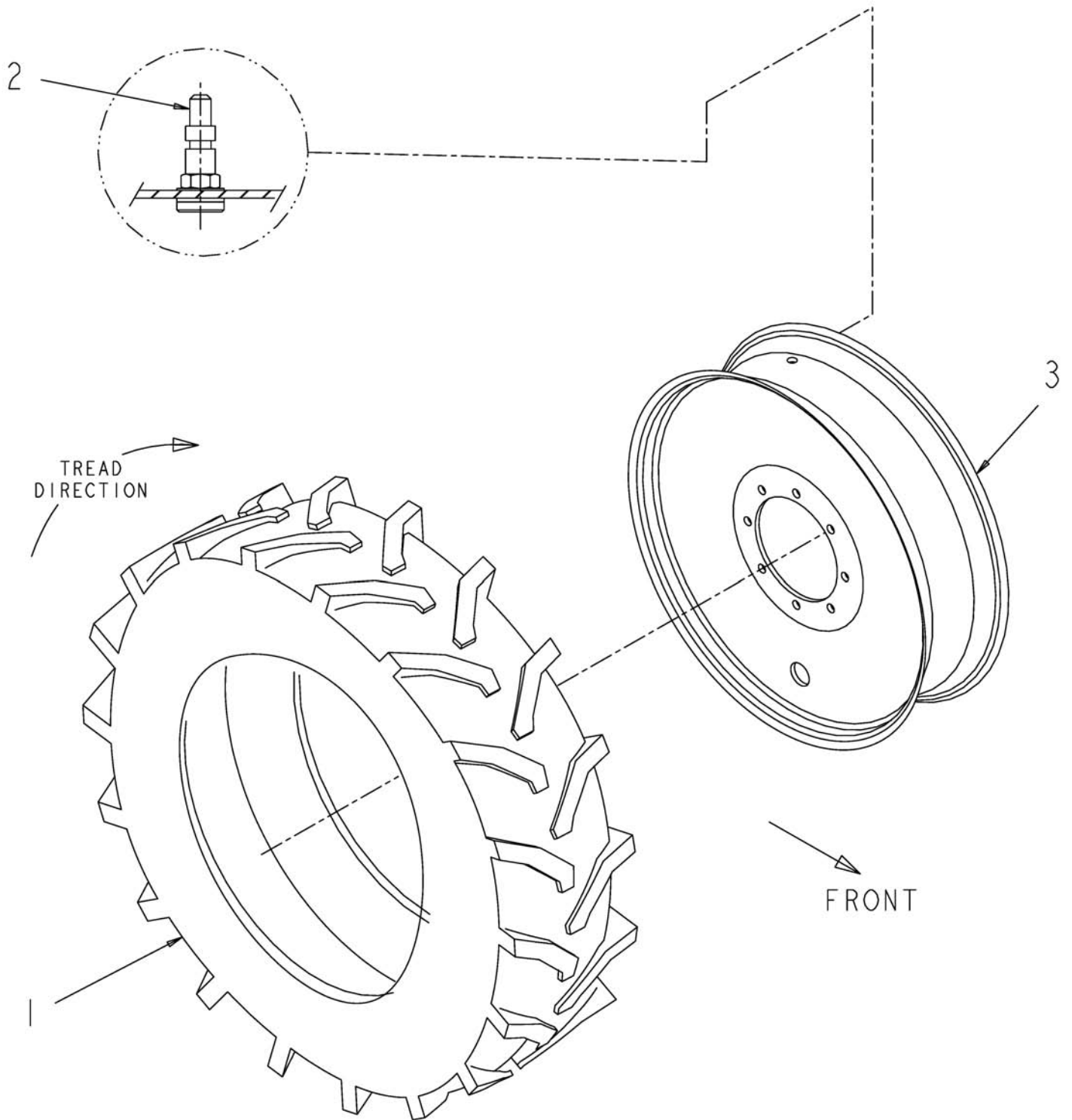
ITEM	PART #	QTY	DESCRIPTION	COMMENTS
1	AG120926	1	TIRE-RADIAL,380/90R46,TITAN	
2	AG517766	1	VALVE TIRE	
3	AG122484	1	RIM-46XW12A,10STAR,7.64 OFS	



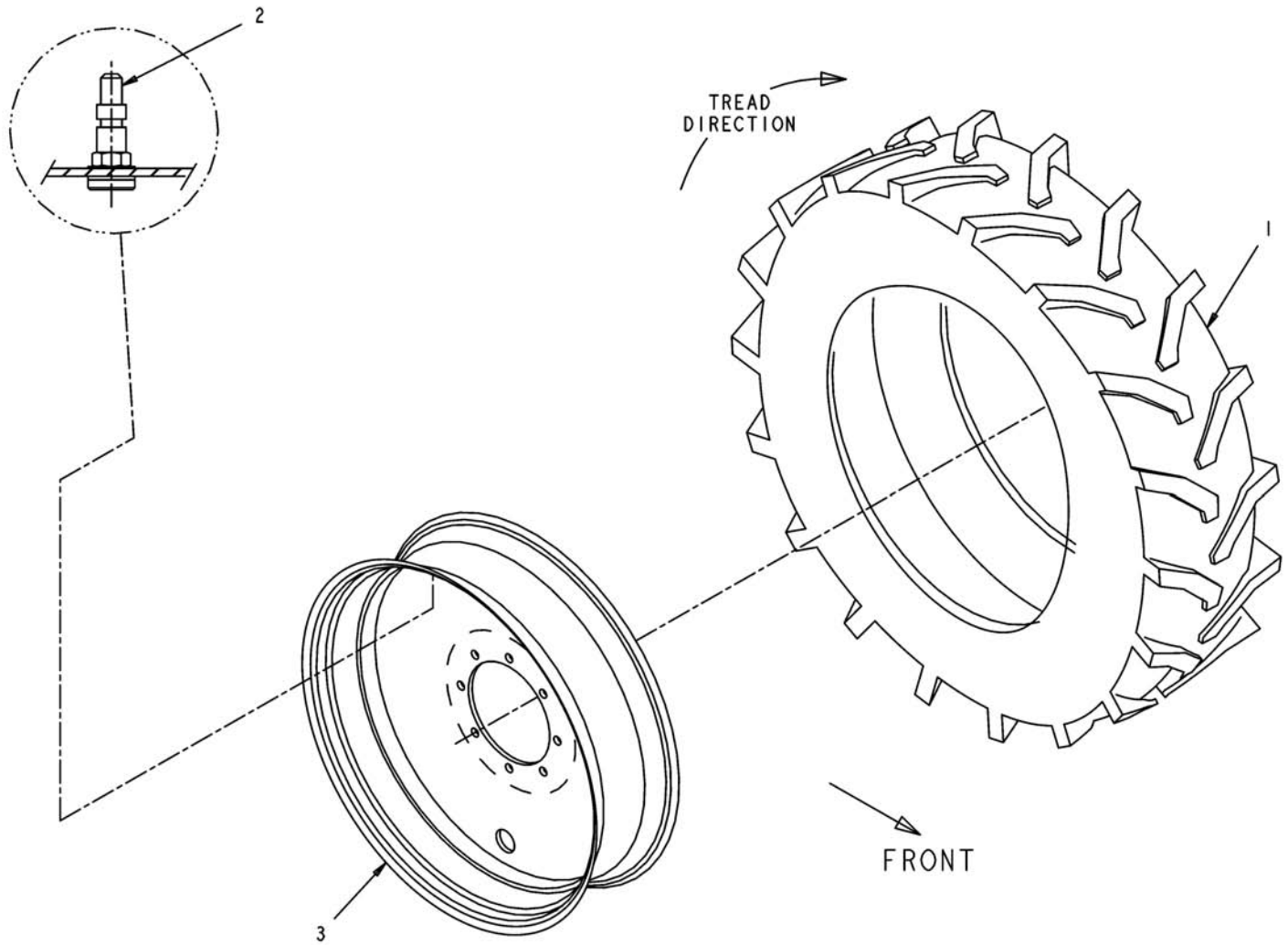
ITEM	PART #	QTY	DESCRIPTION	COMMENTS
1	AG120926	1	TIRE-RADIAL,380/90R46,TITAN	
2	AG517766	1	VALVE TIRE	
3	AG122484	1	RIM-46XW12A,10STAR,7.64 OFS	



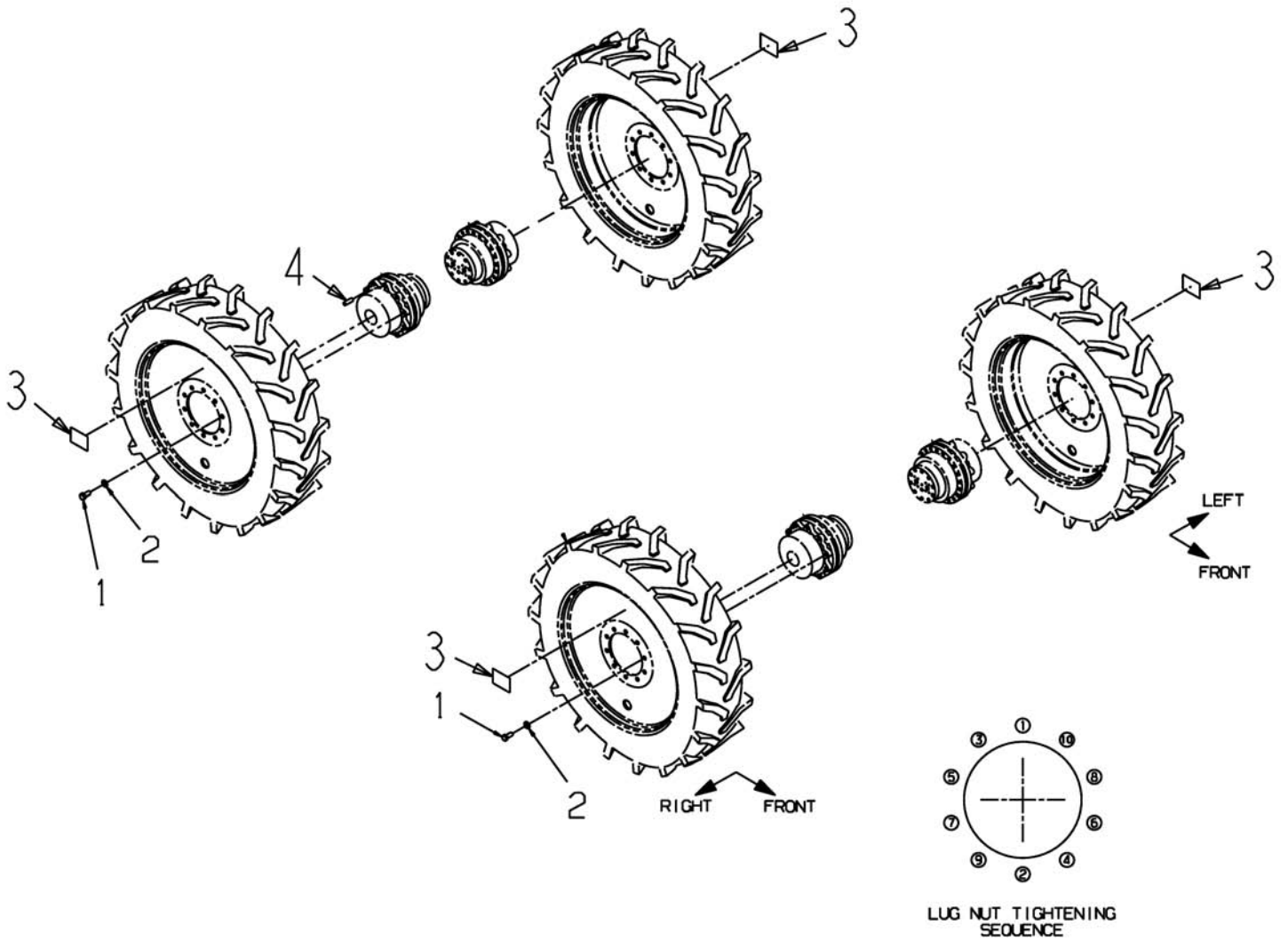
ITEM	PART #	QTY	DESCRIPTION	COMMENTS
1	AG122487	2	TIRE/RIM ASM-14.9R46,RIS,LH	SEE PAGE 11-6
2	AG122486	2	TIRE/RIM ASM-14.9R46,RIS,RH	SEE PAGE 11-5
3	AG125836	4	DECAL-CAUTION,WHEEL MTG	
4	AG262948	4	DECAL-WARNING,REPL TIRE,ENG	
5	AG121905	4	DECAL-WARNING,TIRE INFL	



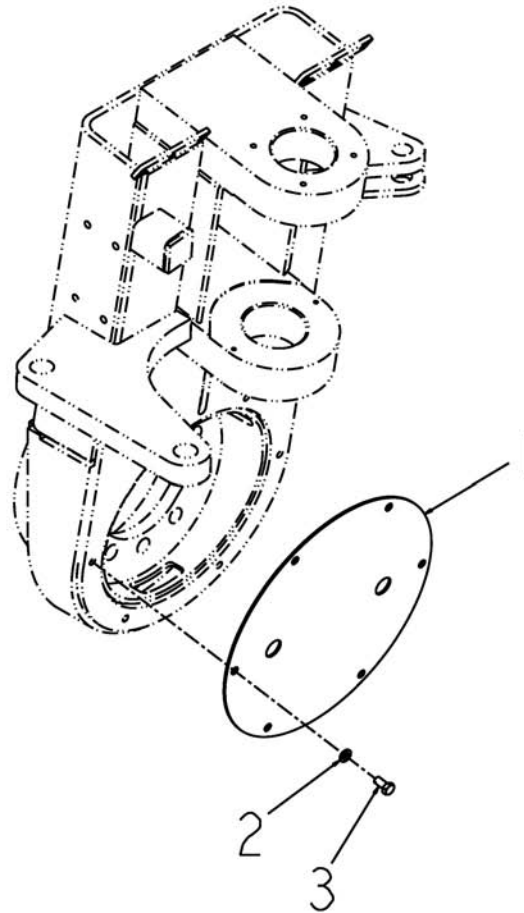
ITEM	PART #	QTY	DESCRIPTION	COMMENTS
1	AG524575	1	CONN-PIN GRIP,MOLDED	
2	AG517766	1	VALVE TIRE	
3	AG122484	1	RIM-46XW12A,10STAR,7.64 OFS	



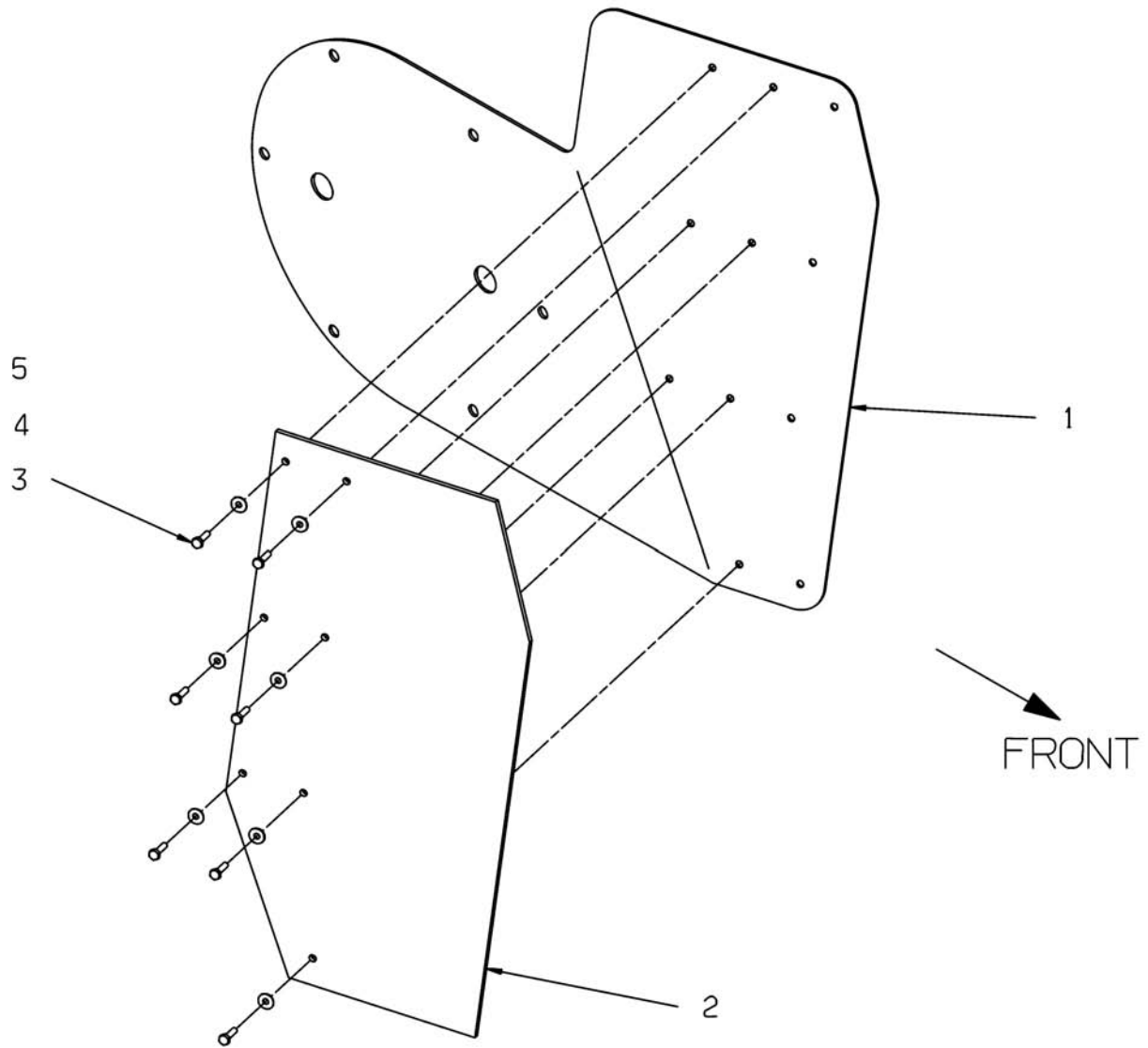
ITEM	PART #	QTY	DESCRIPTION	COMMENTS
1	AG524275	1	TIRE-RADIAL,14.9R46,48S,R1S	
2	AG517766	1	VALVE TIRE	
3	AG122484	1	RIM-46XW12A,10STAR,7.64 OFS	



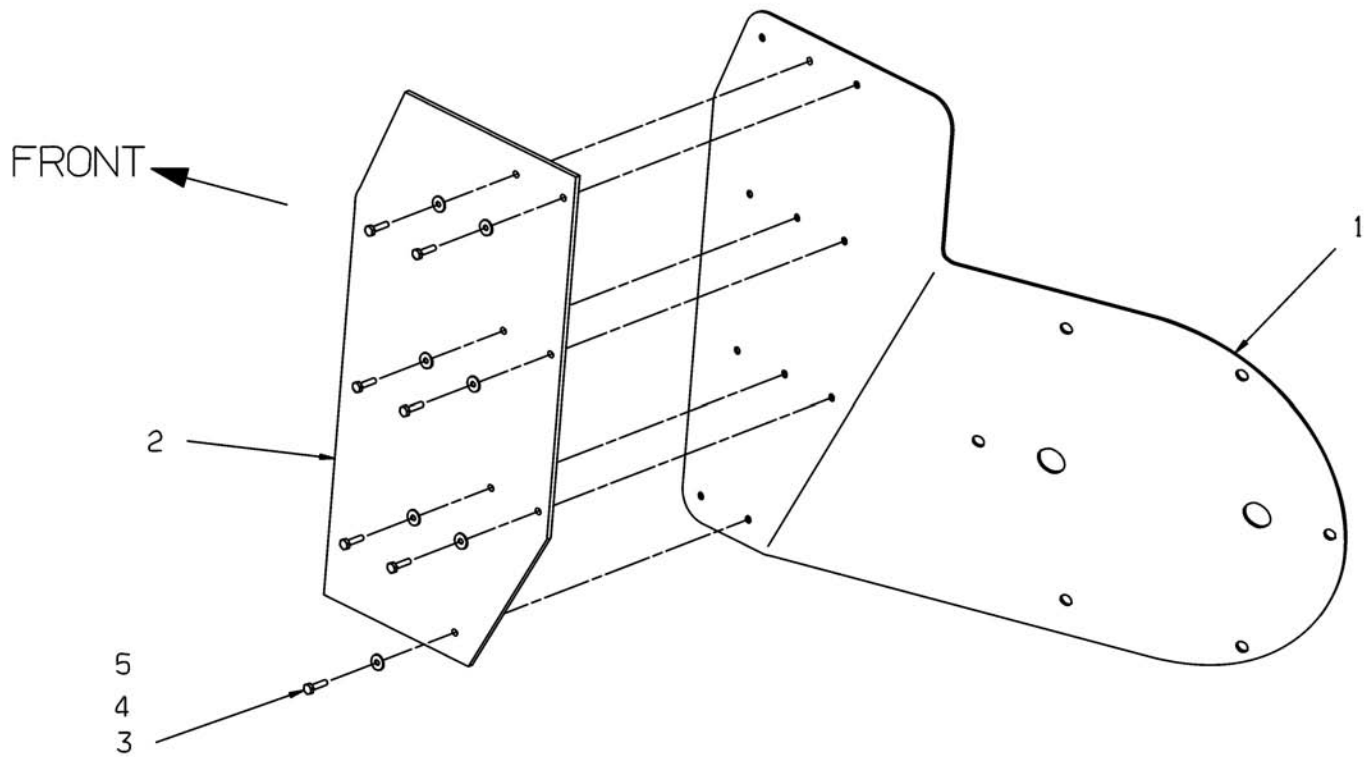
ITEM	PART #	QTY	DESCRIPTION	COMMENTS
1	AG125830	40	BOLT-M22-1.5X60,CL10.9,HHD,BLK	
2	AG523369	40	WASHER-FL,.94,HARD	
3	AG125836	-	DECAL-CAUTION,WHEEL MTG	
4	AG261904	-	STUD-ALIGNMENT,RIM INSTL	



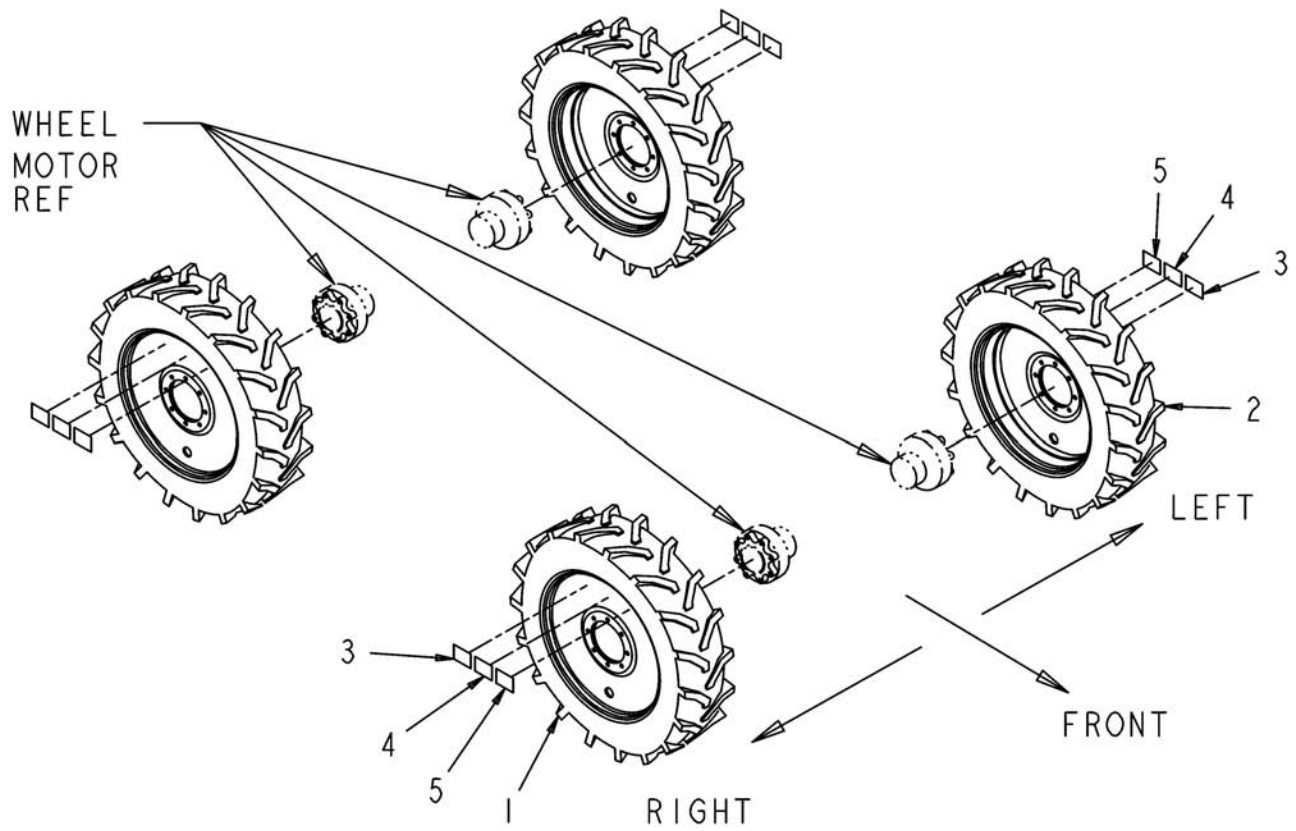
ITEM	PART #	QTY	DESCRIPTION	COMMENTS
REF	AG133275	4	DECAL-GREASE,WHEEL MOTORS	
1	AG239684	4	PLATE-COVER,WHEEL LEG	
2	AG550191	24	WASHER LK 0.37 ZN REG	
3	AG550167	24	BOLT 0.37-16NCX 0.62 G5 ZN HHD	



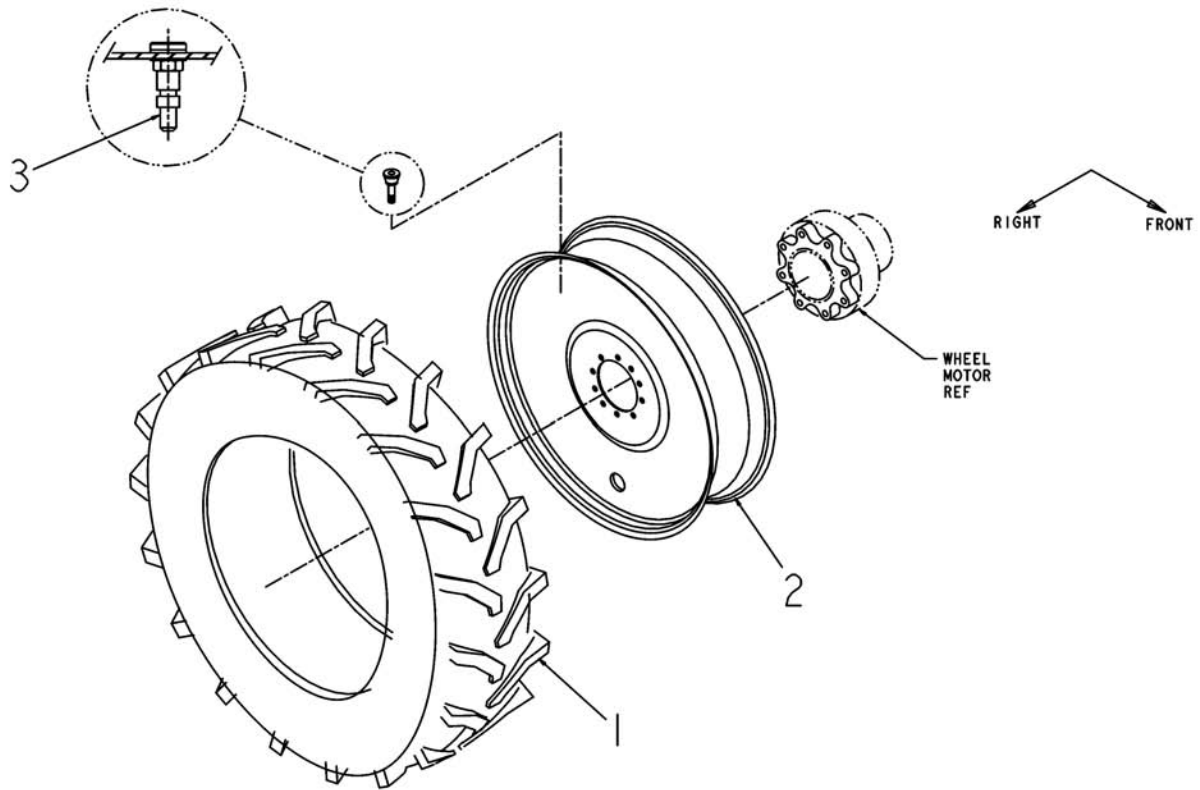
ITEM	PART #	QTY	DESCRIPTION	COMMENTS
1	AG422725	1	BRACKET-CROP DEFLECTOR,LH	
2	AG325661	1	DEFLECTOR-CROP,LH	
3	AG563094	7	SCREW 10-24X0.75 PH PHS SS	
4	AG562082	7	WASHER #10 FL SS SAE	
5	AG027274	7	NUT 10-24NCSS LGT HX NY INS(P)	



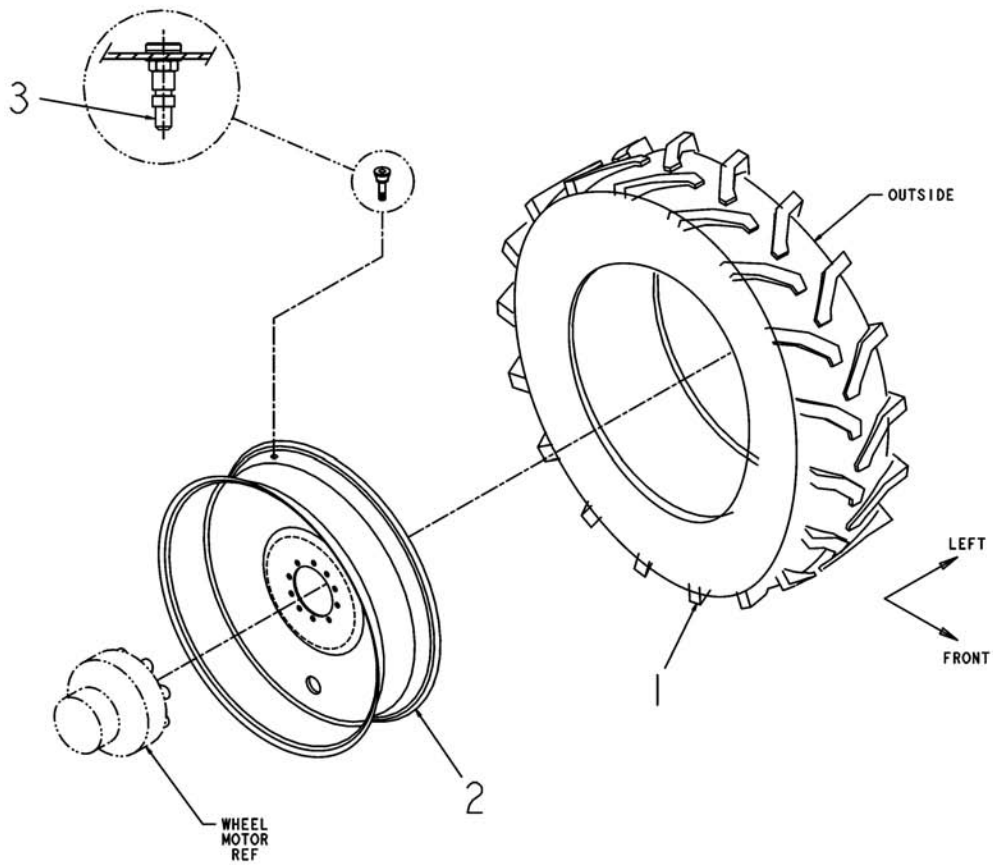
ITEM	PART #	QTY	DESCRIPTION	COMMENTS
1	AG422724	1	BRACKET-CROP DEFLECTOR,RH	
2	AG325660	1	DEFLECTOR-CROP,RH	
3	AG563094	7	SCREW 10-24X0.75 PH PHS SS	
4	AG562082	7	WASHER #10 FL SS SAE	
5	AG027274	7	NUT 10-24NCSS LGT HX NY INS(P)	



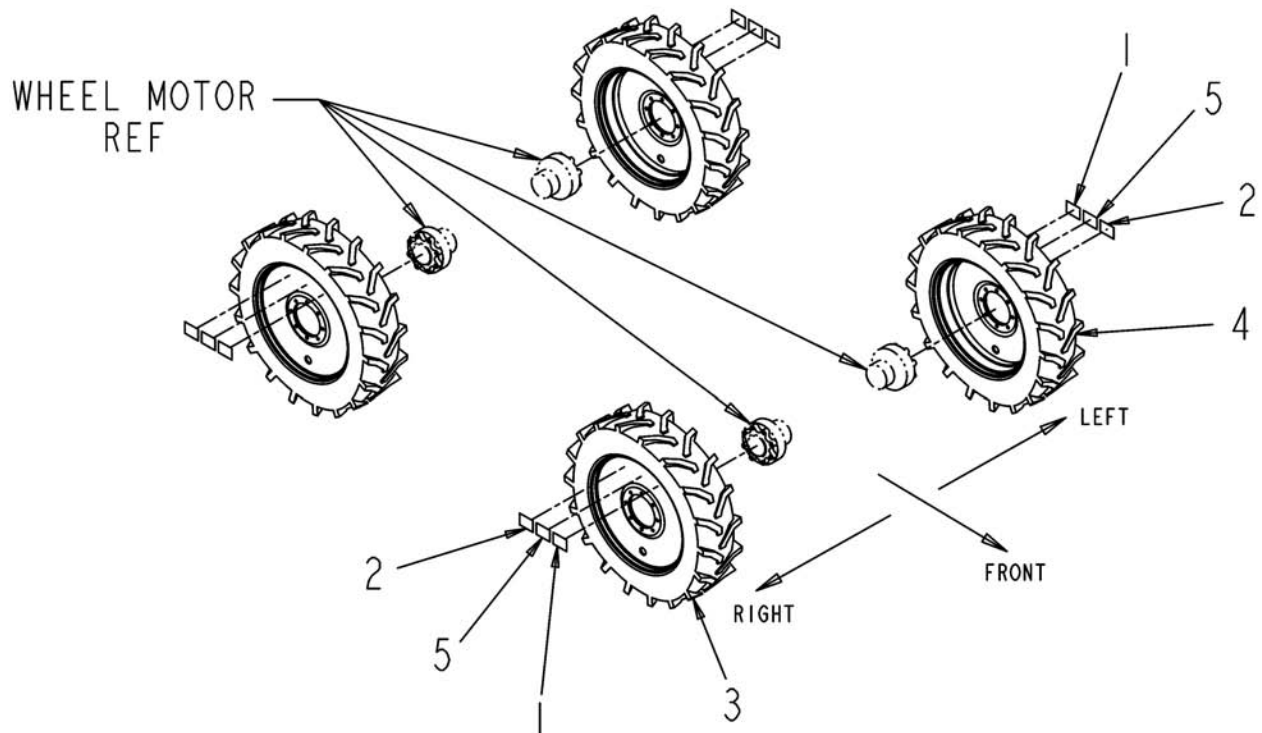
ITEM	PART #	QTY	DESCRIPTION	COMMENTS
1	AG125813	2	TIRE/RIM ASM-23.1R30,RH,BB6	SEE PAGE 11-12
2	AG125814	2	TIRE/RIM ASM-23.1R30,LH BB6	SEE PAGE 11-13
3	AG125836	4	DECAL-CAUTION,WHEEL MTG	
4	AG262948	4	DECAL-WARNING,REPL TIRE,ENG	
5	AG121905	4	DECAL-WARNING,TIRE INFL	



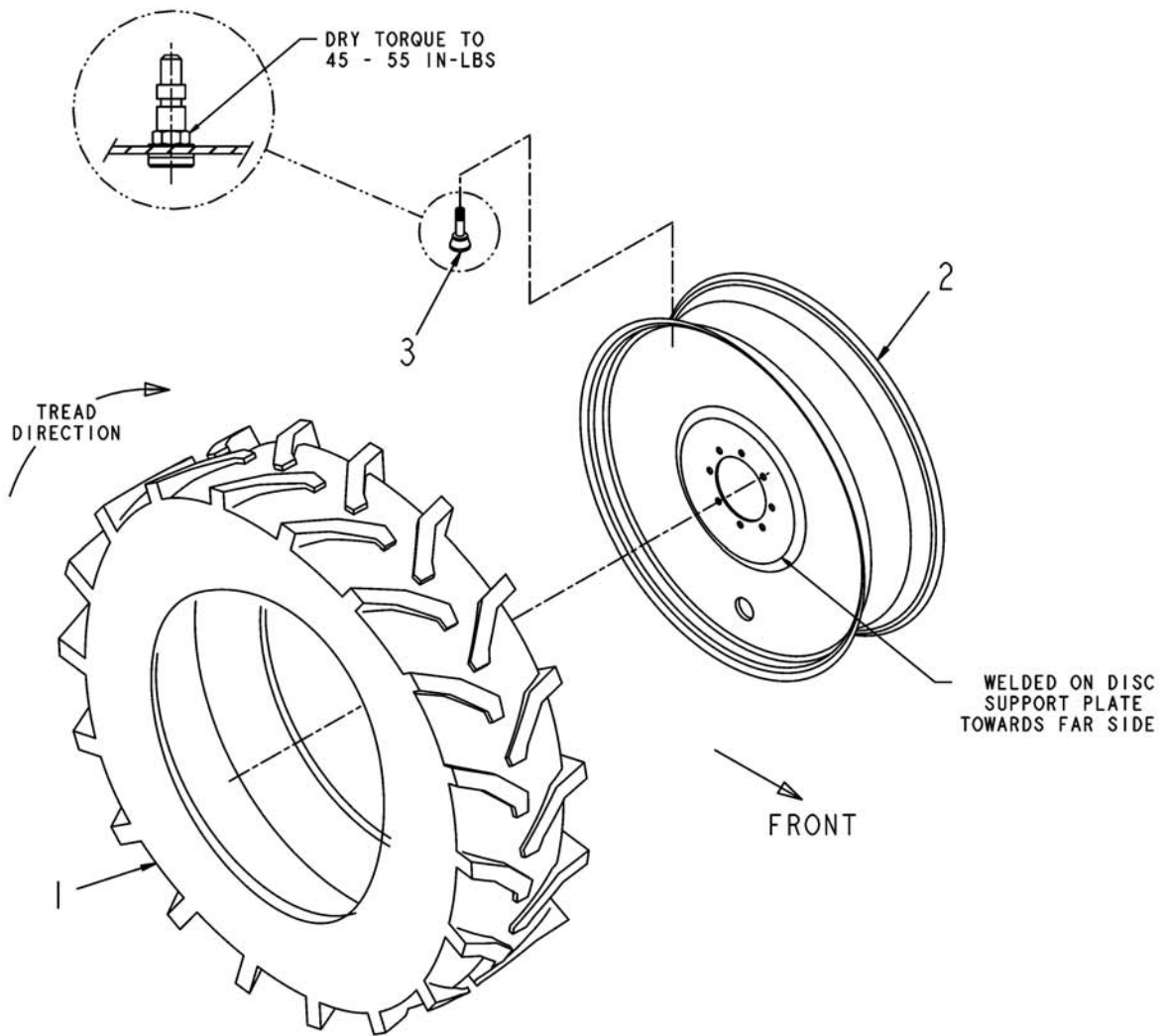
ITEM	PART #	QTY	DESCRIPTION	COMMENTS
1	AG125815	1	TIRE-RADIAL,23.1R30,TITAN	
2	AG122479	1	RIM-30XDW20,10 HOLE,1.53 OFS	
3	AG517766	1	VALVE TIRE	



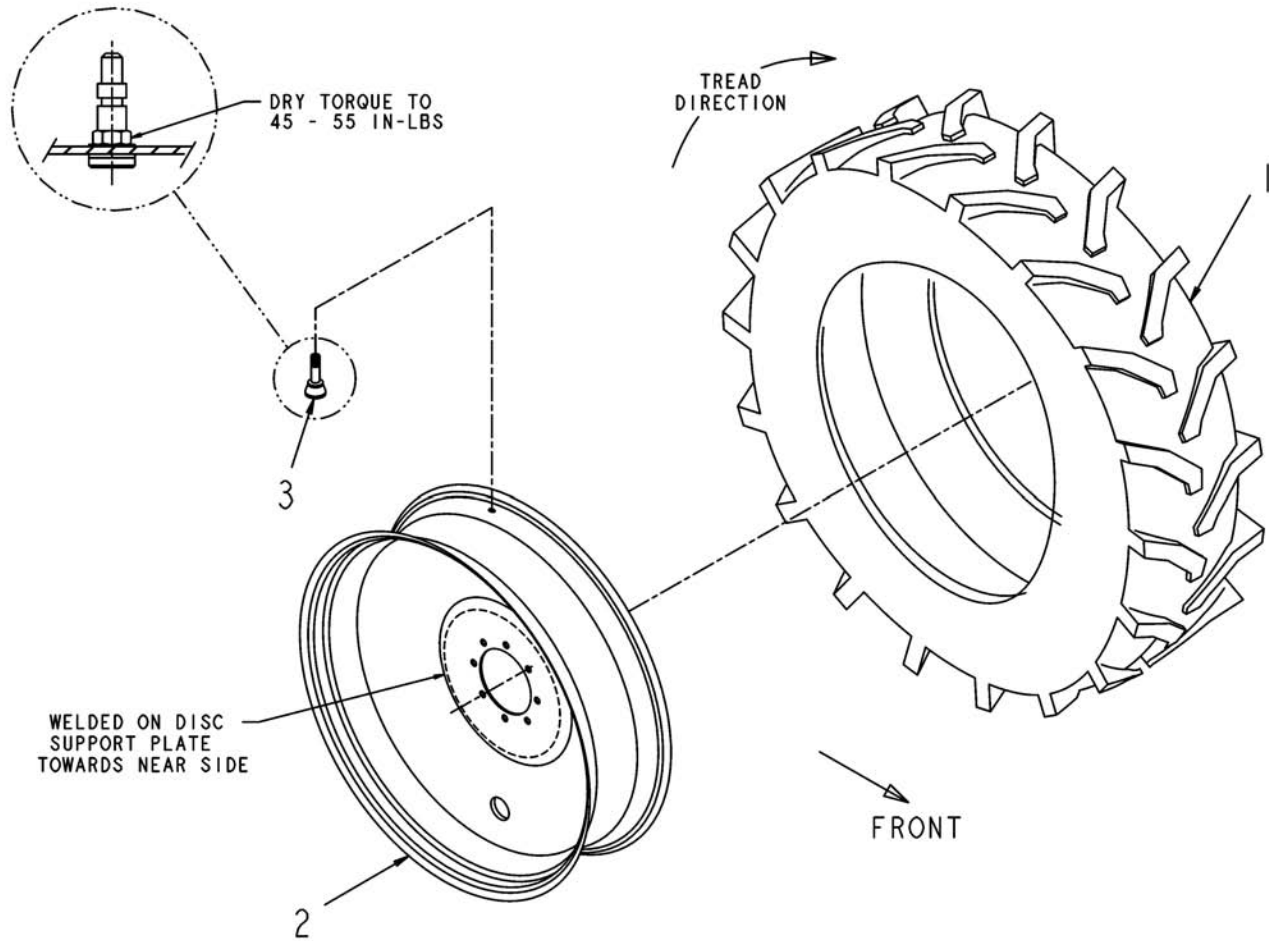
ITEM	PART #	QTY	DESCRIPTION	COMMENTS
1	AG125815	1	TIRE-RADIAL,23.1R30,TITAN	
2	AG122479	1	RIM-30XDW20,10 HOLE,1.53 OFS	
3	AG517766	1	VALVE TIRE	



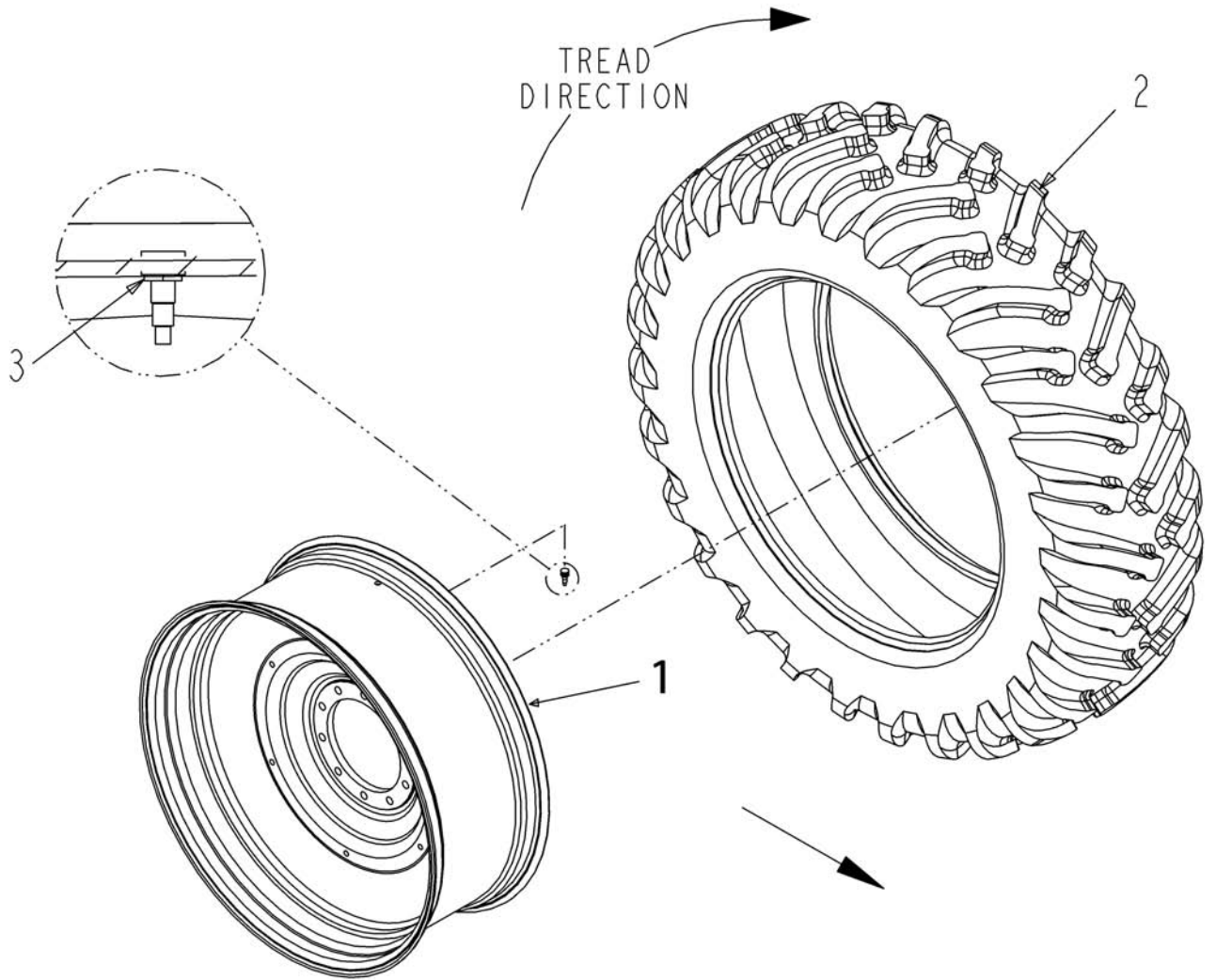
ITEM	PART #	QTY	DESCRIPTION	COMMENTS
1	AG121905	4	DECAL-WARNING,TIRE INFL	
2	AG125836	4	DECAL-CAUTION,WHEEL MTG	
3	AG127708	2	TIRE/RIM ASM-320/90R50,LH,7.64	SEE PAGE 11-15
4	AG127709	2	TIRE/RIM ASM-320/90R50,RH,7.64	SEE PAGE 11-16
5	AG262948	4	DECAL-WARNING,REPL TIRE,ENG	



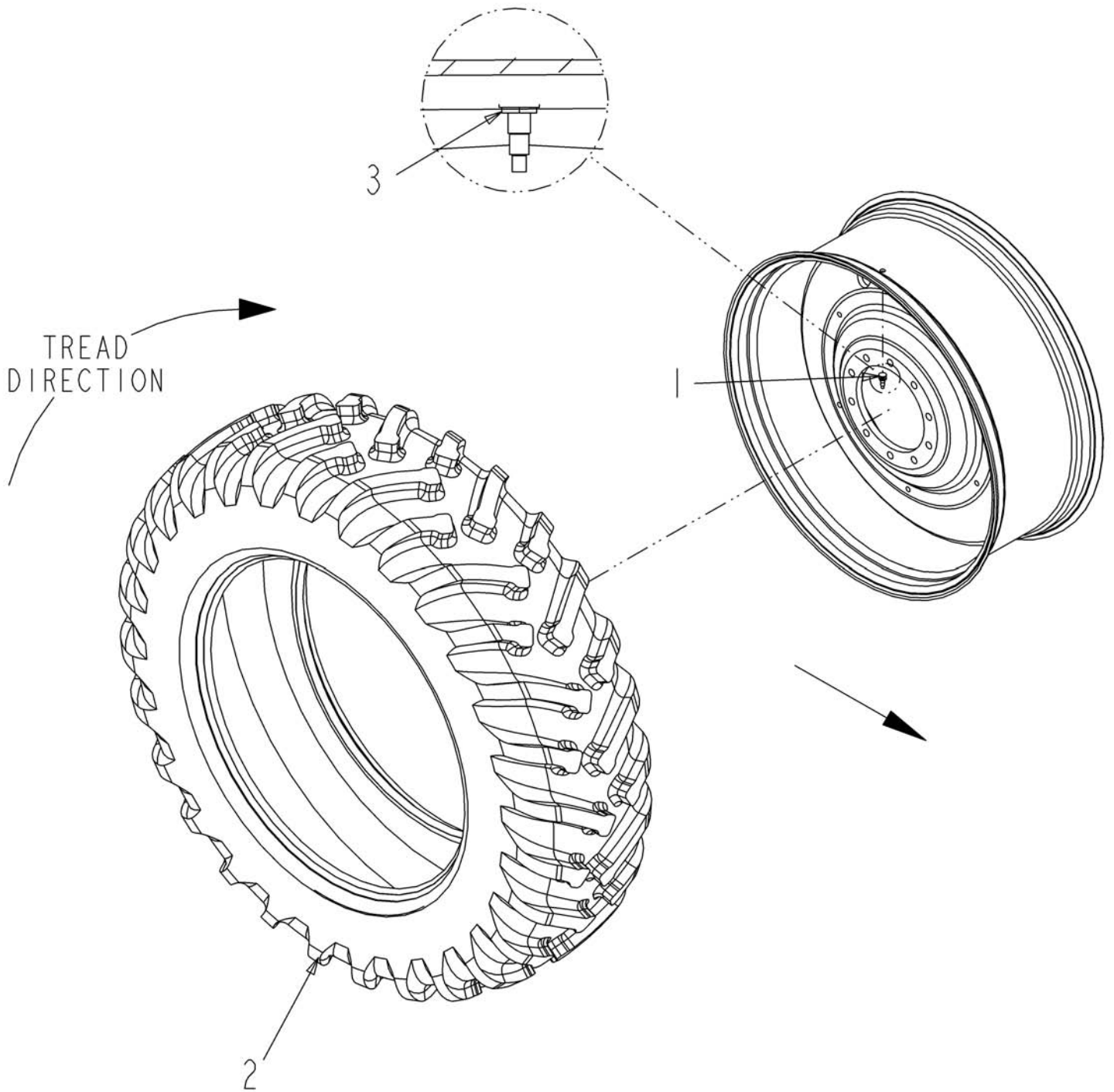
ITEM	PART #	QTY	DESCRIPTION	COMMENTS
1	AG125664	1	TIRE-RADIAL,320/90R50,R-1W	
2	AG127710	1	RIM-50W10,10HOLE,7.64OFS	
3	AG517766	1	VALVE TIRE	



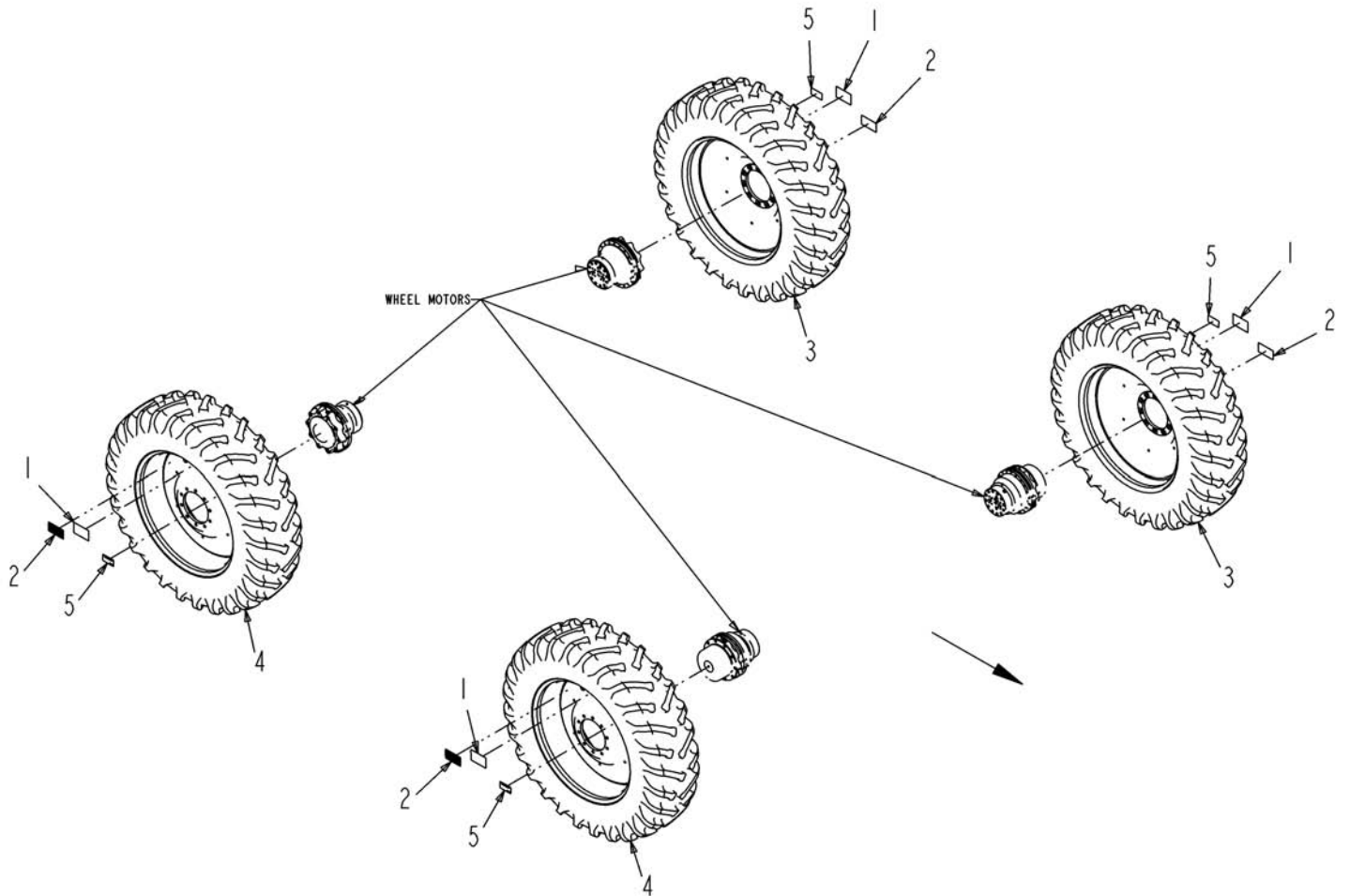
ITEM	PART #	QTY	DESCRIPTION	COMMENTS
1	AG125664	1	TIRE-RADIAL,320/90R50,R-1W	
2	AG127710	1	RIM-50W10,10HOLE,7.64OFS	
3	AG517766	1	VALVE TIRE	



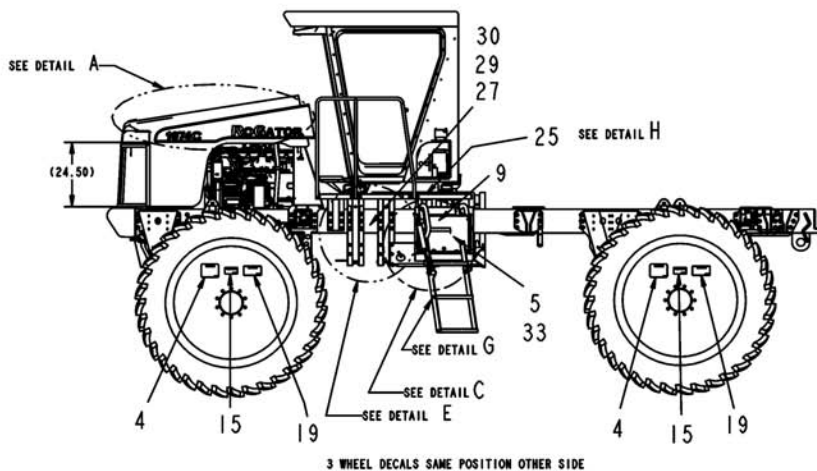
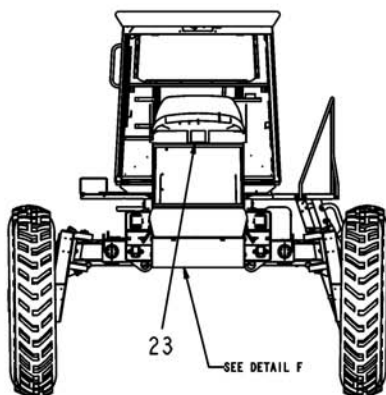
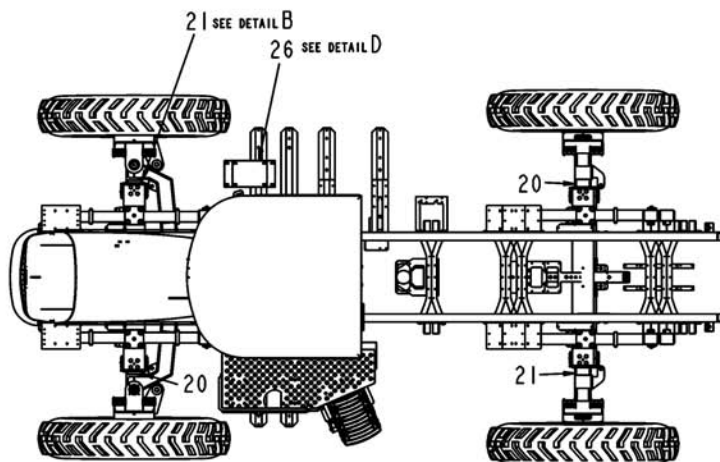
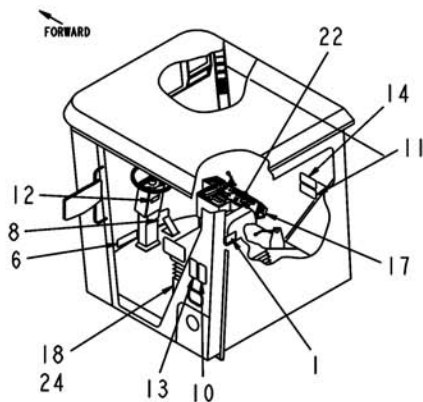
ITEM	PART #	QTY	DESCRIPTION	COMMENTS
1	AG132602	1	RIM-42XDD16,10 HOLE,2.89OFFSET	
2	AG133232	1	TIRE-RADIAL,480/80R42-166A8 R1	
3	AG517766	1	VALVE TIRE	



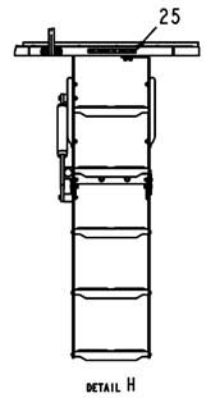
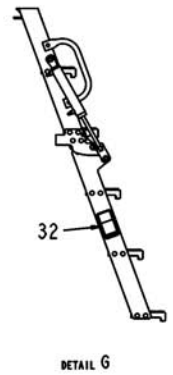
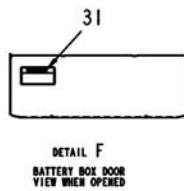
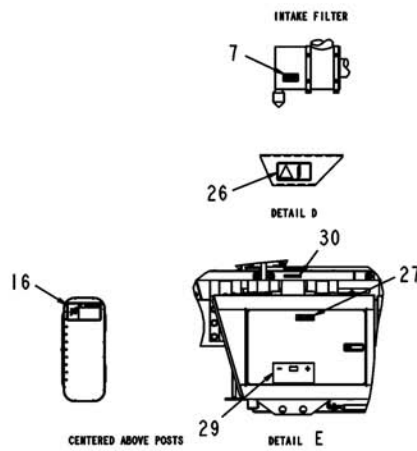
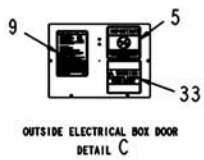
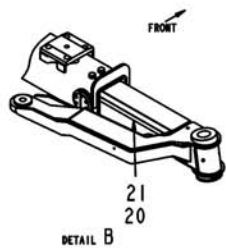
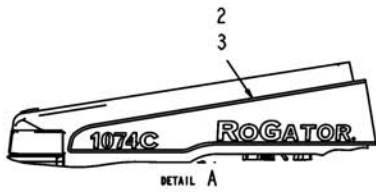
ITEM	PART #	QTY	DESCRIPTION	COMMENTS
1	AG132602	1	RIM-42XDD16,10 HOLE,2.89OFFSET	
2	AG133232	1	TIRE-RADIAL,480/80R42-166A8 R1	
3	AG517766	1	VALVE TIRE	



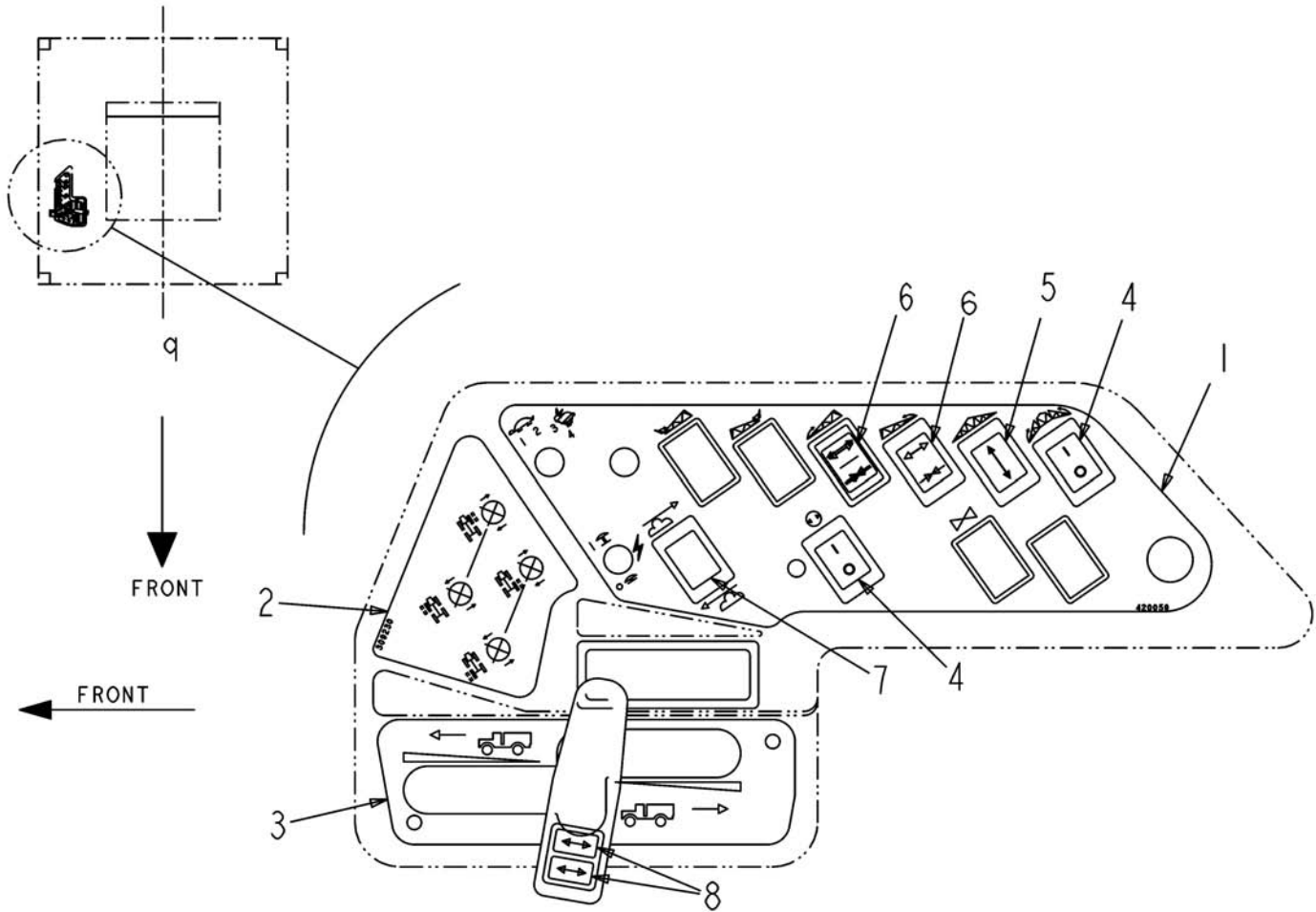
ITEM	PART #	QTY	DESCRIPTION	COMMENTS
1	AG121905	4	DECAL-WARNING,TIRE INFL	
2	AG125836	4	DECAL-CAUTION,WHEEL MTG	
3	AG133235	2	RIM/TIRE ASM-480/80R42,2.89,LH	SEE PAGE 11-17
4	AG133236	2	RIM/TIRE ASM-480/80R42,2.89,RH	SEE PAGE 11-18
5	AG262948	4	DECAL-WARNING,REPL TIRE,ENG	



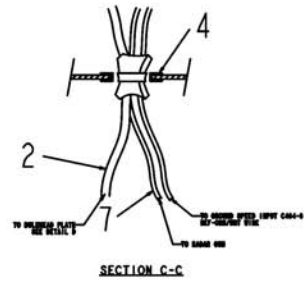
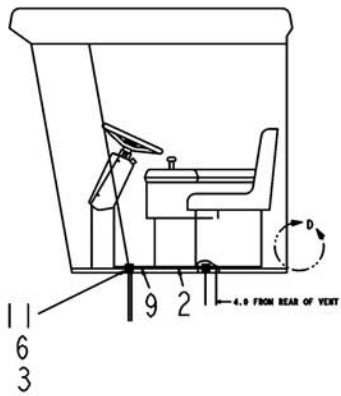
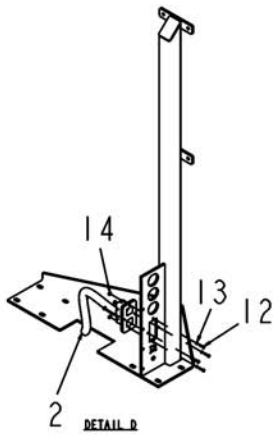
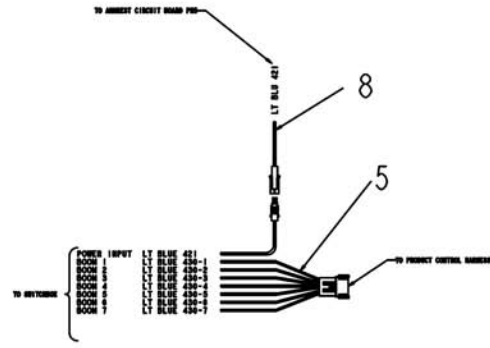
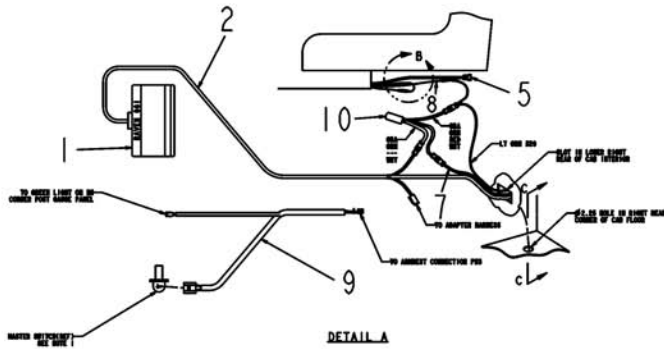
ITEM	PART #	QTY	DESCRIPTION	COMMENTS
1	AG108934	1	DECAL MADE IN THE USA	
2	AG134387	1	DECAL-HOOD,RG 1074C,RH	
3	AG134388	1	DECAL-HOOD,RG 1074C,LH	
4	AG125836	-	DECAL-CAUTION,WHEEL MTG	
5	AG232534	1	ELEC CABINET DECAL	[A]
6	AG232938	1	DECAL WARN DOWNSHIFT TO LOW	[B]
7	AG235004	1	DECAL WARNING ETHER	
8	AG125818	1	DECAL-CAUTION,PARKING BRAKE	
9	AG236845	1	DECAL-CORPORATION	
10	AG238783	1	DECAL-WARNING,BOOM MOTION	
11	AG238819	1	DECAL-WARNING,ELEC SHOCK	
12	AG239436	1	DECAL-IMPORTANT,ELEC EQUIPMENT	
13	AG260051	1	DECAL-CAUTION,READ OPR MNL	
14	AG230121	1	TUBE	
15	AG262948	-	DECAL-WARNING,REPL TIRE,ENG	
16	AG238762	1	DECAL-WARNING,HP FLUID	
17	AG263003	1	DECAL-CAB RIDE CONTROL	
18	503580D1	1	PLATE-NUMBER, SERIAL	
19	AG121905	-	DECAL-WARNING,TIRE INFL	
20	AG309499	2	DECAL AXLE SPACING LH	
21	AG309500	2	DECAL AXLE SPACING RH	
22	AG322511	1	DECAL INSTL - ARMREST	SEE PAGE 12-2
23	AG324206	1	DECAL-COWLING,FRONT	
24	AG561884	4	RIVET POP 0.12X0.25 DOME-HD ST	
25	AG129850	1	DECAL-MAX WEIGHT,41000 LBS	
26	AG238366	1	DECAL-HAZARD,HOT SURF,MUF,SYM	
27	AG107833	1	DECAL PAT PEND 1.00X3.50	[C]
29	AG325260	1	DECAL-TERMINAL,BATTERY	
30	AG223224	1	DECAL FUEL	[D]
31	AG238814	1	DECAL-IMPORTANT,ELEC DISC	
32	AG263013	1	DECAL-CAUTION,LADDER,FOLD	
33	AG228298	1	ELECT CABINET DECAL	[E]
	FOOTNOTE [A]		SPANISH DECAL: AG237862	
	FOOTNOTE [B]		SPANISH DECAL: AG237851	
	FOOTNOTE [C]		SPANISH DECAL: AG238210	
	FOOTNOTE [D]		SPANISH DECAL: AG237868	
	FOOTNOTE [E]		SPANISH DECAL: AG237912	



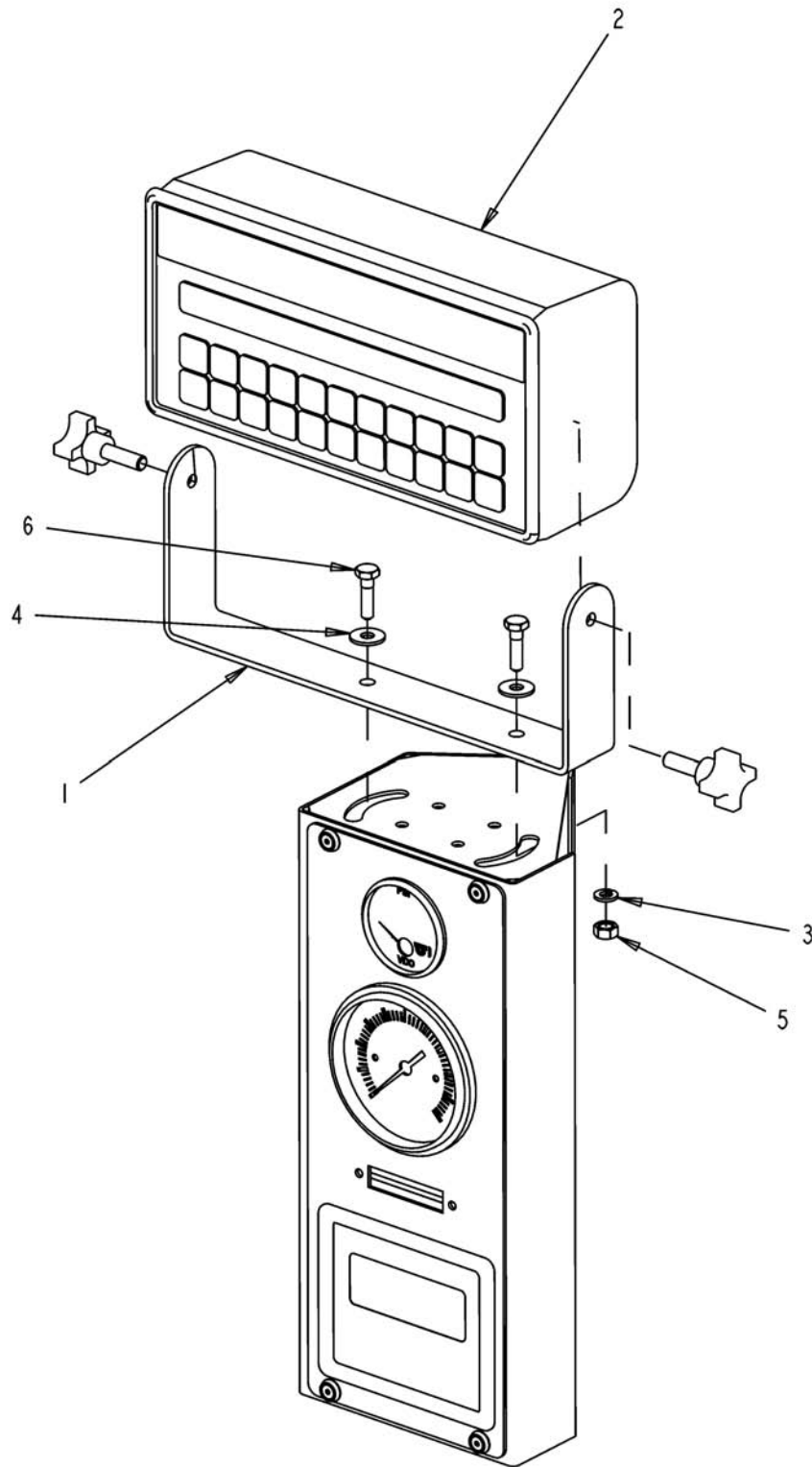
ITEM	PART #	QTY	DESCRIPTION	COMMENTS
1	AG108934	1	DECAL MADE IN THE USA	
2	AG134387	1	DECAL-HOOD,RG 1074C,RH	
3	AG134388	1	DECAL-HOOD,RG 1074C,LH	
4	AG125836	-	DECAL-CAUTION,WHEEL MTG	
5	AG232534	1	ELEC CABINET DECAL	[A]
6	AG232938	1	DECAL WARN DOWNSHIFT TO LOW	[B]
7	AG235004	1	DECAL WARNING ETHER	
8	AG125818	1	DECAL-CAUTION,PARKING BRAKE	
9	AG236845	1	DECAL-CORPORATION	
10	AG238783	1	DECAL-WARNING,BOOM MOTION	
11	AG238819	1	DECAL-WARNING,ELEC SHOCK	
12	AG239436	1	DECAL-IMPORTANT,ELEC EQUIPMENT	
13	AG260051	1	DECAL-CAUTION,READ OPR MNL	
14	AG230121	1	TUBE	
15	AG262948	-	DECAL-WARNING,REPL TIRE,ENG	
16	AG238762	1	DECAL-WARNING,HP FLUID	
17	AG263003	1	DECAL-CAB RIDE CONTROL	
18	503580D1	1	PLATE-NUMBER, SERIAL	
19	AG121905	-	DECAL-WARNING,TIRE INFL	
20	AG309499	2	DECAL AXLE SPACING LH	
21	AG309500	2	DECAL AXLE SPACING RH	
22	AG322511	1	DECAL INSTL - ARMREST	SEE PAGE 12-2
23	AG324206	1	DECAL-COWLING,FRONT	
24	AG561884	4	RIVET POP 0.12X0.25 DOME-HD ST	
25	AG129850	1	DECAL-MAX WEIGHT,41000 LBS	
26	AG238366	1	DECAL-HAZARD,HOT SURF,MUF,SYM	
27	AG107833	1	DECAL PAT PEND 1.00X3.50	[C]
29	AG325260	1	DECAL-TERMINAL,BATTERY	
30	AG223224	1	DECAL FUEL	[D]
31	AG238814	1	DECAL-IMPORTANT,ELEC DISC	
32	AG263013	1	DECAL-CAUTION,LADDER,FOLD	
33	AG228298	1	ELECT CABINET DECAL	[E]
	FOOTNOTE [A]		SPANISH DECAL: AG237862	
	FOOTNOTE [B]		SPANISH DECAL: AG237851	
	FOOTNOTE [C]		SPANISH DECAL: AG238210	
	FOOTNOTE [D]		SPANISH DECAL: AG237868	
	FOOTNOTE [E]		SPANISH DECAL: AG237912	



ITEM	PART #	QTY	DESCRIPTION	COMMENTS
1	AG420755	1	DECAL-ARMREST	
2	AG309230	1	TRACK ADJUST DECAL	[A]
3	AG124000	1	DECAL-HYDRO HANDLE,8/1064	
4	AG108337	2	DECAL SWITCH	
5	AG108372	1	DECAL SWITCH	
6	AG108374	2	DECAL SWITCH	
7	AG108373	1	DECAL SWITCH	
8	AG108321	2	DECAL SWITCH	
	FOOTNOTE [A]		AG517381 - SWITCH TRACK ADJUST	

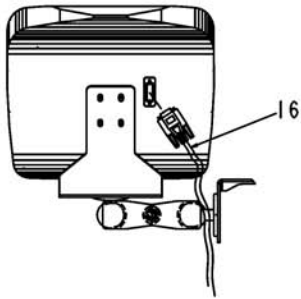


ITEM	PART #	QTY	DESCRIPTION	COMMENTS
1	AG523542	1	CONSOLE-CONT,RVN 661,10 BOOM	[A]
2	AG121291	1	HARNESS-CONTROLLER,RVN661	
3	AG554278	3	TIE CABLE 11.0 .06-3.06 BLACK	
4	AG513654	-	EDGE LINER .19 IN TK MAT PVC [BULK: 0.584 FT]	
5	AG121867	-	HARNESS-SWITCHBOX,864	
6	AG517942	2	MOUNT WIRE TIE ADHESIVE B 4WAY	
7	AG520859	-	RADAR-DJ,7.5FT	
8	AG322712	-	HARNESS-RADAR & SWITCH BOX PWR	
9	AG420246	1	HARNESS-SWITCH ASM	
10	AG520962	1	AMPLIFIER-RADAR	
11	AG551287	4	SCREW 10-16X.50 TAP ZN HHD (D)	
12	AG562067	4	SCREW 8-32X 0.75 MA SS SL RHD	
13	AG562066	4	WASHER #8 LK SS REG	
14	AG562070	4	NUT #8-32NC HEX SS REG	
	FOOTNOTE [A]		FOR REPLACEMENT KNOB USE AG709338	

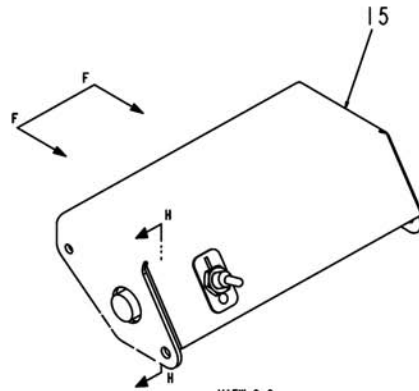


ITEM	PART #	QTY	DESCRIPTION	COMMENTS
1	AG121958	1	BRKT-CONSOLE,RVN 661	
2	AG523542	-	CONSOLE-CONT,RVN 661,10 BOOM	[A]
3	AG550493	2	WASHER LK 0.25 ZN REG	
4	AG550507	2	WASHER FL 0.25 ZN REG TYPE-B	
5	AG550612	2	NUT 0.25-20NC HEX ZN REG	
6	AG550698	2	BOLT 0.25-20NCX 1.00 G5 ZN HHD	
	FOOTNOTE [A]		FOR REPLACEMENT KNOB USE AG709338	

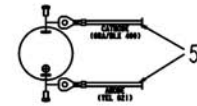
ITEM	PART #	QTY	DESCRIPTION	COMMENTS
1	AG121875	1	MONITOR/SERVER INSTL-FLCN II	SEE PAGE 13-4
3	AG522991	-	COMPUTER-SERVER,FLCN II	
4	AG515044	-	SWITCH TOGGLE 2POS 2POLE ONON	[A]
5	AG121876	1	HARNESS-CONT,FLCN II 864	
6	AG562892	5	TIE CABLE 4.0 .06-.75 WHITE	
7	AG423801	1	HARNESS-FLOOR SWITCH	
8	AG326992	-	KEYBOARD ASM-FLCNII	SEE PAGE 13-7
9	AG423849	1	HARNESS-KEYBOARD,FLCN II	
10	AG121933	1	KEYBOARD INSTL-FLCN II, 864	SEE PAGE 13-5
11	AG522992	-	MONITOR-FLCN II	
12	AG519190	AR	ADHESIVE HOT MELT	
13	AG517942	5	MOUNT WIRE TIE ADHESIVE B 4WAY	
14	AG523407	1	KEYBOARD-COMP,PS2	
15	AG122966	-	PANEL ASM-PWR,FLCN II	SEE PAGE 13-6
16	AG423571	1	HARNESS-MONITOR,FLCN II	
18	AG518676	4	SCREW #4-40NCX 0.75 HXSHD SS	
19	AG563174	8	WASHER-FLAT,#4,TYPE B NAR,SS	
20	AG563175	14	NUT-4-40,SS,NYLOCK,HEX	
21	AG520962	1	AMPLIFIER-RADAR	
22	AG125785	1	HARNESS-RADAR EXTENSION,32.00	
	FOOTNOTE [A]		REWORK POTTING BOX- AG231866	



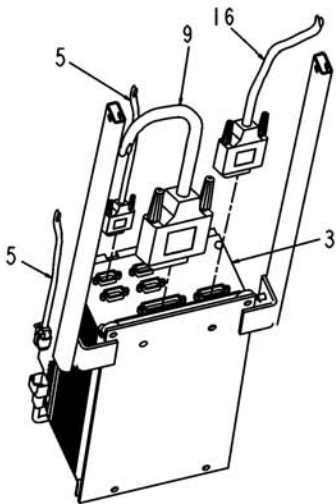
VIEW A-A



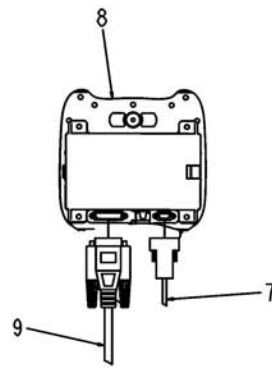
VIEW C-C



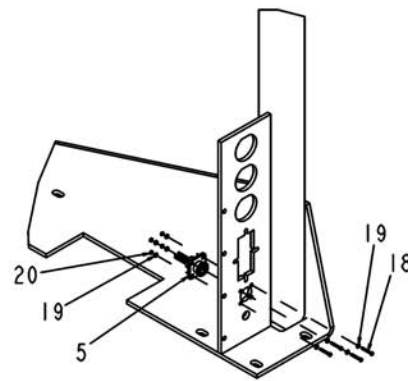
VIEW H-H



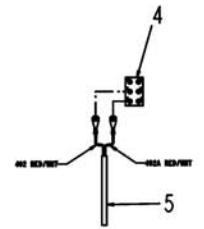
VIEW B-B



VIEW D-D

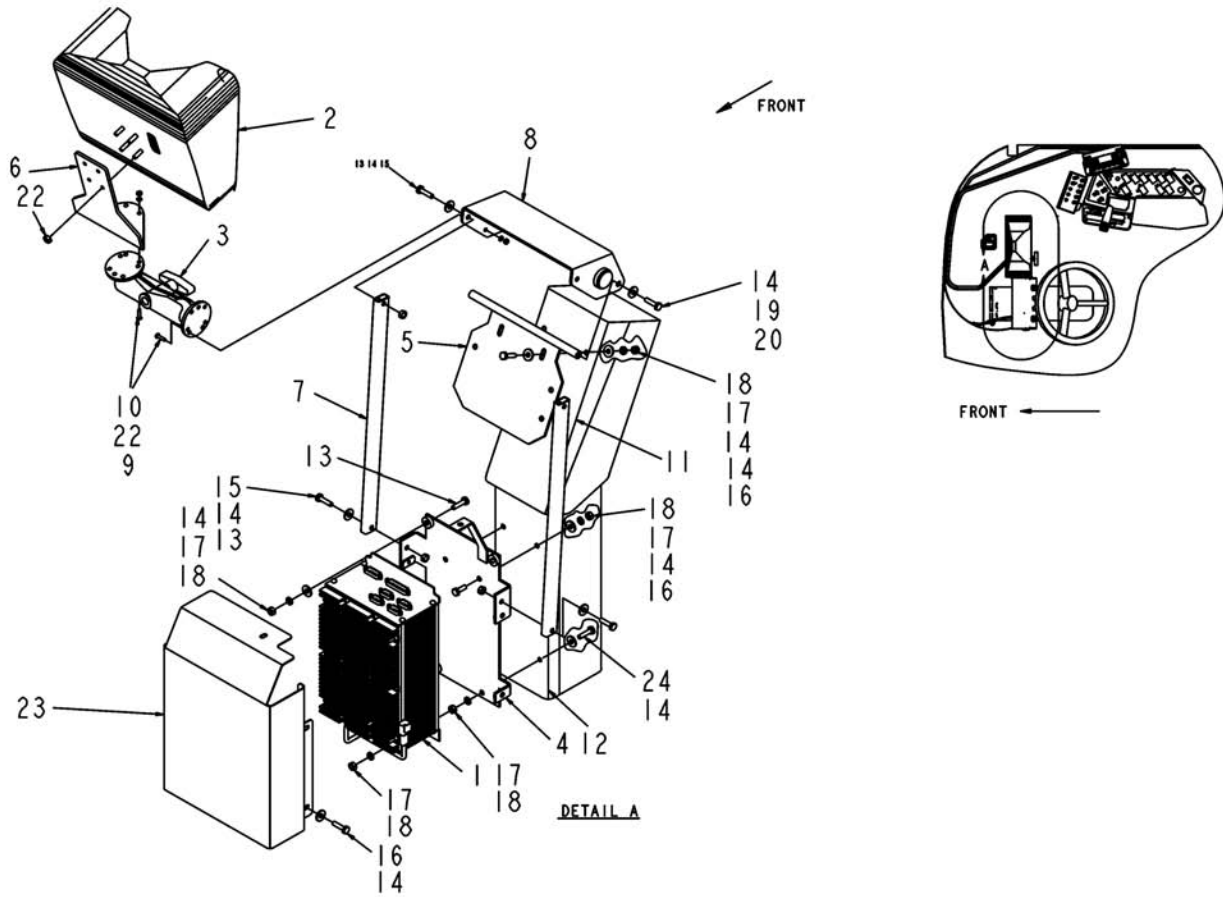


DETAIL G

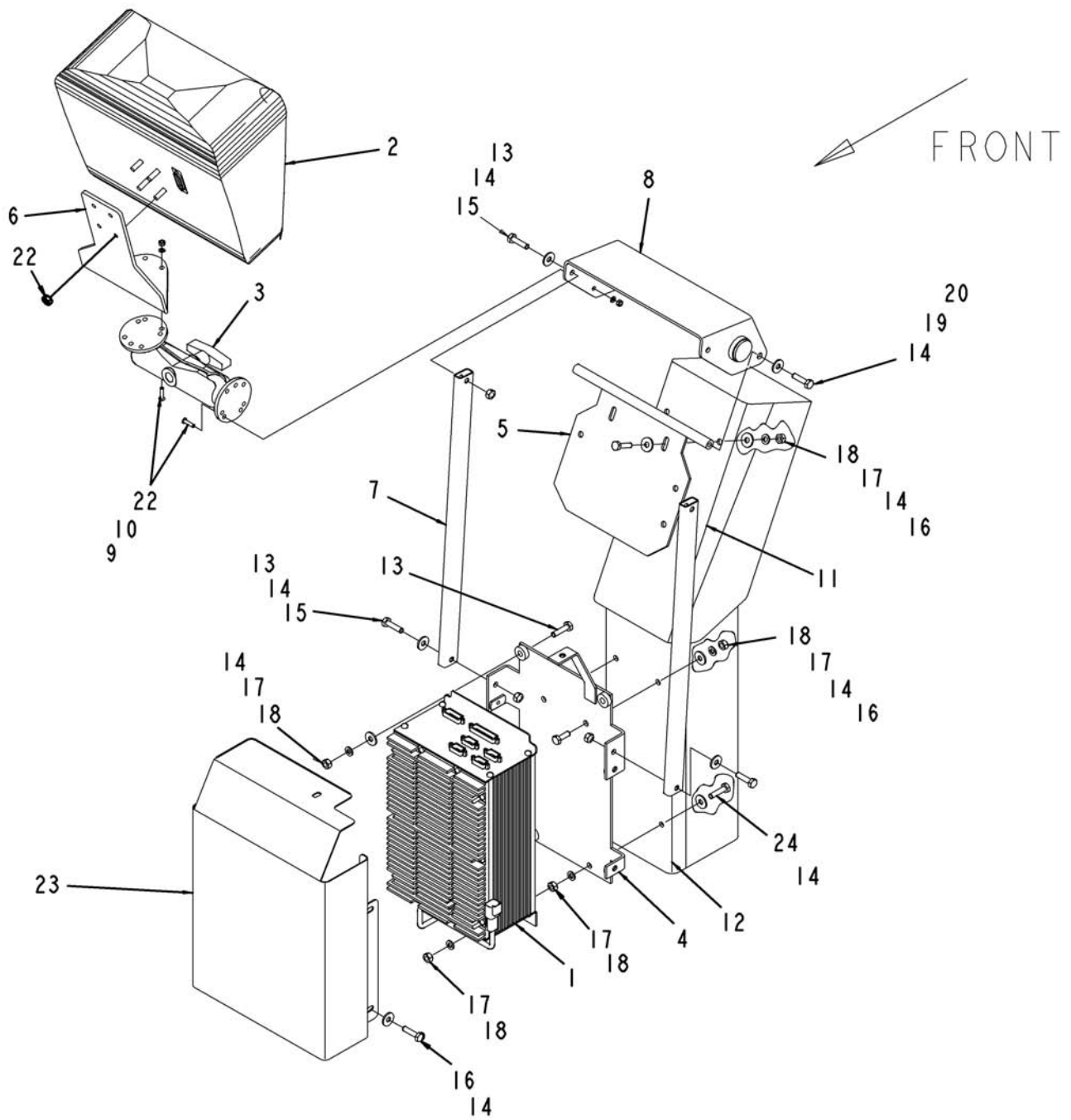


VIEW E-E

ITEM	PART #	QTY	DESCRIPTION	COMMENTS
1	AG121875	1	MONITOR/SERVER INSTL-FLCN II	SEE PAGE 13-4
3	AG522991	-	COMPUTER-SERVER,FLCN II	
4	AG515044	-	SWITCH TOGGLE 2POS 2POLE ONON	[A]
5	AG121876	1	HARNESS-CONT,FLCN II 864	
6	AG562892	5	TIE CABLE 4.0 .06-.75 WHITE	
7	AG423801	1	HARNESS-FLOOR SWITCH	
8	AG326992	-	KEYBOARD ASM-FLCNII	SEE PAGE 13-7
9	AG423849	1	HARNESS-KEYBOARD,FLCN II	
10	AG121933	1	KEYBOARD INSTL-FLCN II, 864	SEE PAGE 13-5
11	AG522992	-	MONITOR-FLCN II	
12	AG519190	AR	ADHESIVE HOT MELT	
13	AG517942	5	MOUNT WIRE TIE ADHESIVE B 4WAY	
14	AG523407	1	KEYBOARD-COMP,PS2	
15	AG122966	-	PANEL ASM-PWR,FLCN II	SEE PAGE 13-6
16	AG423571	1	HARNESS-MONITOR,FLCN II	
18	AG518676	4	SCREW #4-40NCX 0.75 HXSHD SS	
19	AG563174	8	WASHER-FLAT,#4,TYPE B NAR,SS	
20	AG563175	14	NUT-4-40,SS,NYLOCK,HEX	
21	AG520962	1	AMPLIFIER-RADAR	
22	AG125785	1	HARNESS-RADAR EXTENSION,32.00	
	FOOTNOTE [A]		REWORK POTTING BOX- AG231866	

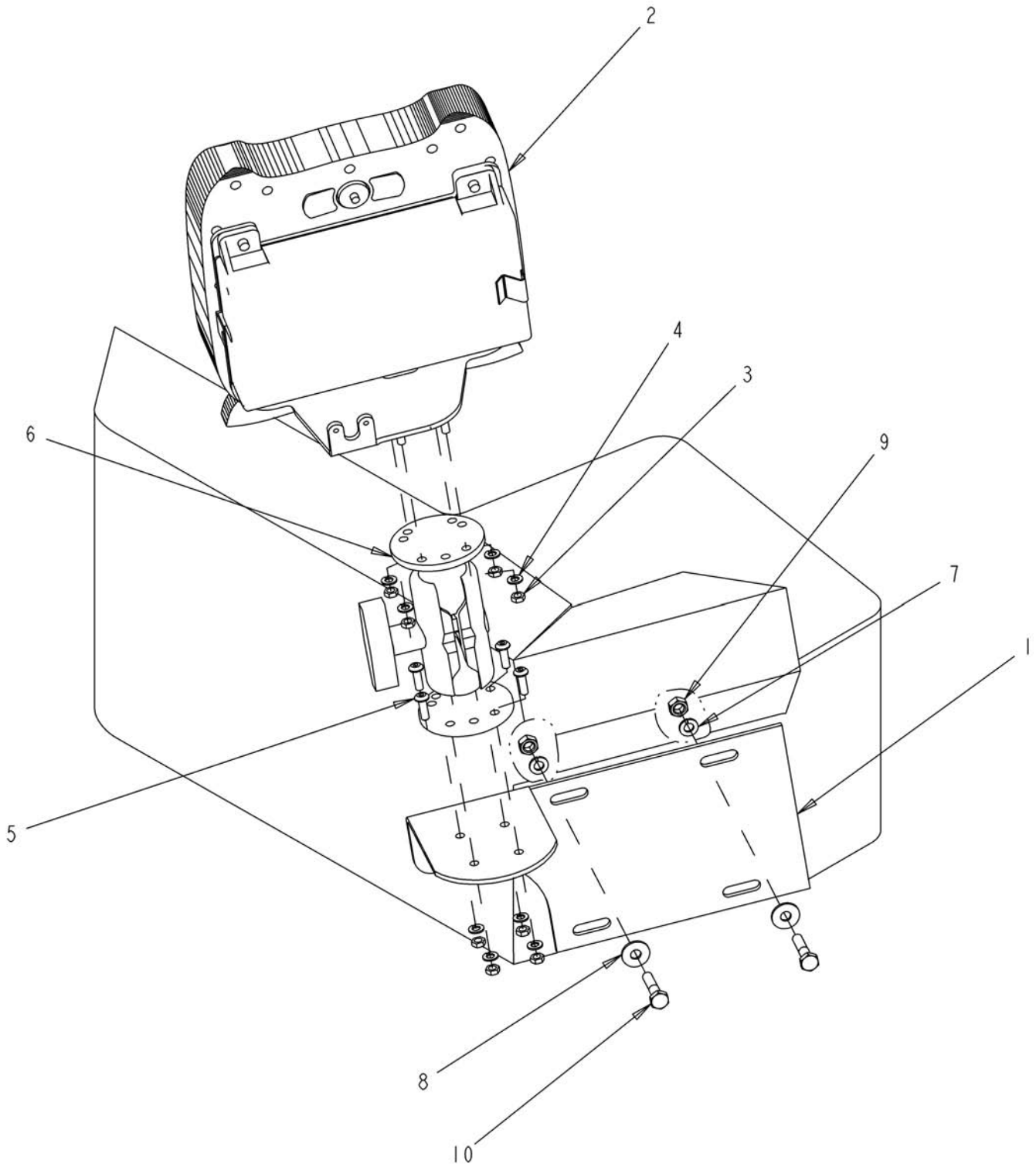


ITEM	PART #	QTY	DESCRIPTION	COMMENTS
1	AG122318	1	SERVER-FLCN II+	[A]
2	AG522992	1	MONITOR-FLCN II	
3	AG523464	1	CLAMP ASM-MTG,BALL,7.50	
4	AG327194	1	PLATE WLDMT-SERVER	
5	AG327192	1	PLATE WLDMT-PIVOT	
6	AG263010	1	PLATE-MTG,MONITOR	
7	AG234729	2	TUBE WELDMENT BRACE	
8	AG122966	1	PANEL ASM-PWR,FLCN II	SEE PAGE 13-6
9	AG523508	8	SCR-M5-0.8X16,CL10.9,BLK,BHHS	
10	AG522247	8	WASHER-LK,M5,SS,REG	
11	AG320813	-	PRT COVER REWORK 664-95	
12	AG322143	-	PRT COVER REWORK	
13	AG558788	6	BOLT 0.25-20NCX 1.25 G5 ZN HHD	
14	AG550507	20	WASHER FL 0.25 ZN REG TYPE-B	
15	AG604216	4	NUT 0.25-20NC ZN LGT HEX NY IN	
16	AG550485	9	BOLT.25-20NCX.75 G5 ZN HHD	
17	AG550493	8	WASHER LK 0.25 ZN REG	
18	AG550612	8	NUT 0.25-20NC HEX ZN REG	
19	AG550183	2	BOLT 0.31-18NCX 0.75 G5 ZN HHD	
20	AG512885	AR	LOCTITE ADHESIVE SEALANT BLUE	
22	AG522246	12	NUT-M5-0.8,SS,H	
23	AG423881	1	COVER-SERVER,FLCN II	
24	AG550698	1	BOLT 0.25-20NCX 1.00 G5 ZN HHD	
	FOOTNOTE [A]		AG135093 - DRIVE-SOLID STATE, FALCON II +	

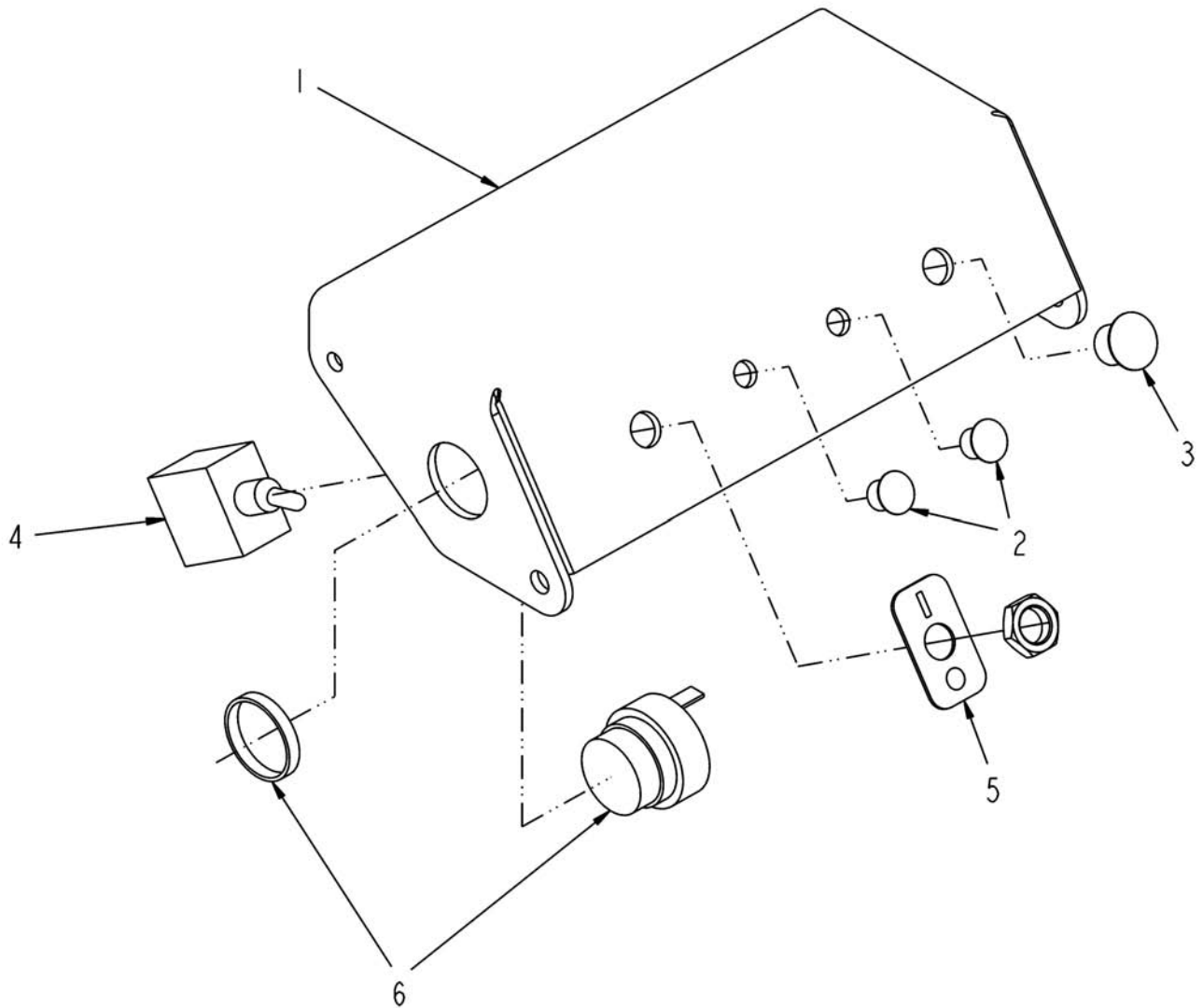


DETAIL A

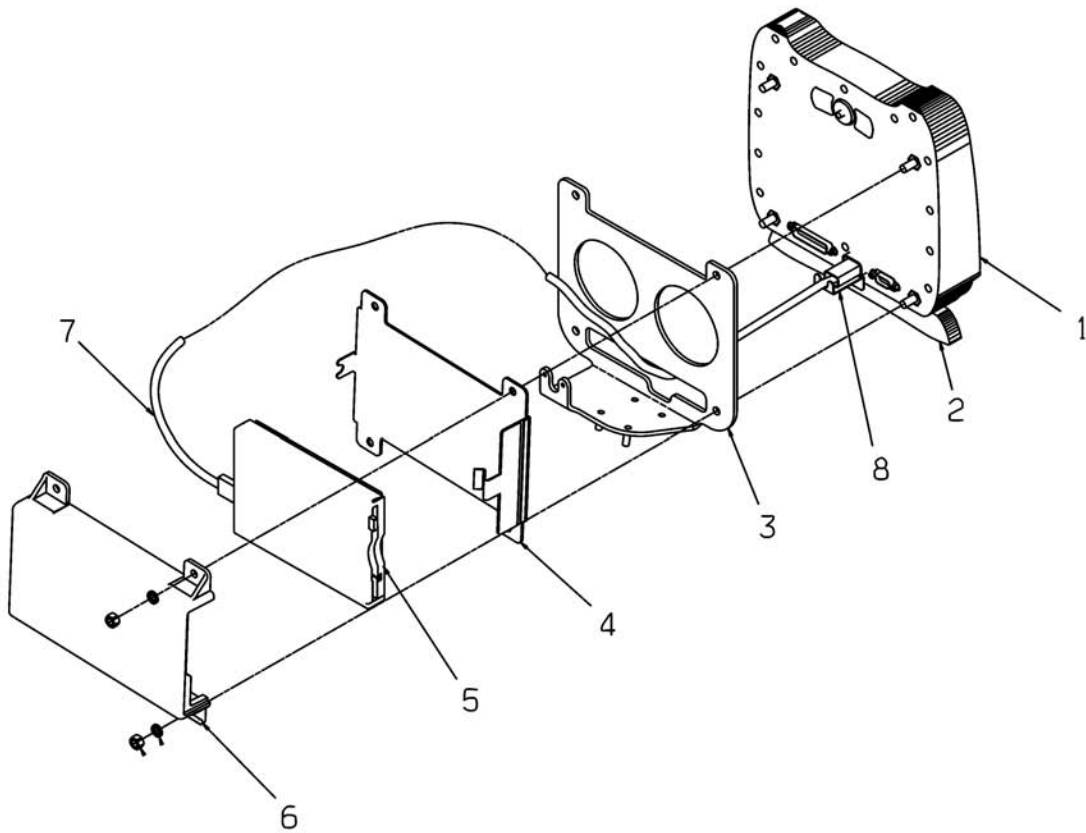
ITEM	PART #	QTY	DESCRIPTION	COMMENTS
1	AG122318	1	SERVER-FLCN II+	[A]
2	AG522992	1	MONITOR-FLCN II	
3	AG523464	1	CLAMP ASM-MTG,BALL,7.50	
4	AG327194	1	PLATE WLDMT-SERVER	
5	AG327192	1	PLATE WLDMT-PIVOT	
6	AG263010	1	PLATE-MTG,MONITOR	
7	AG234729	2	TUBE WELDMENT BRACE	
8	AG122966	1	PANEL ASM-PWR,FLCN II	SEE PAGE 13-6
9	AG523508	8	SCR-M5-0.8X16,CL10.9,BLK,BHHS	
10	AG522247	8	WASHER-LK,M5,SS,REG	
11	AG320813	-	PRT COVER REWORK 664-95	
12	AG322143	-	PRT COVER REWORK	
13	AG558788	6	BOLT 0.25-20NCX 1.25 G5 ZN HHD	
14	AG550507	20	WASHER FL 0.25 ZN REG TYPE-B	
15	AG604216	4	NUT 0.25-20NC ZN LGT HEX NY IN	
16	AG550485	9	BOLT.25-20NCX.75 G5 ZN HHD	
17	AG550493	8	WASHER LK 0.25 ZN REG	
18	AG550612	8	NUT 0.25-20NC HEX ZN REG	
19	AG550183	2	BOLT 0.31-18NCX 0.75 G5 ZN HHD	
20	AG512885	AR	LOCTITE ADHESIVE SEALANT BLUE	
22	AG522246	12	NUT-M5-0.8,SS,H	
23	AG423881	1	COVER-SERVER,FLCN II	
24	AG550698	1	BOLT 0.25-20NCX 1.00 G5 ZN HHD	
	FOOTNOTE [A]		AG135093 - DRIVE-SOLID STATE, FALCON II +	



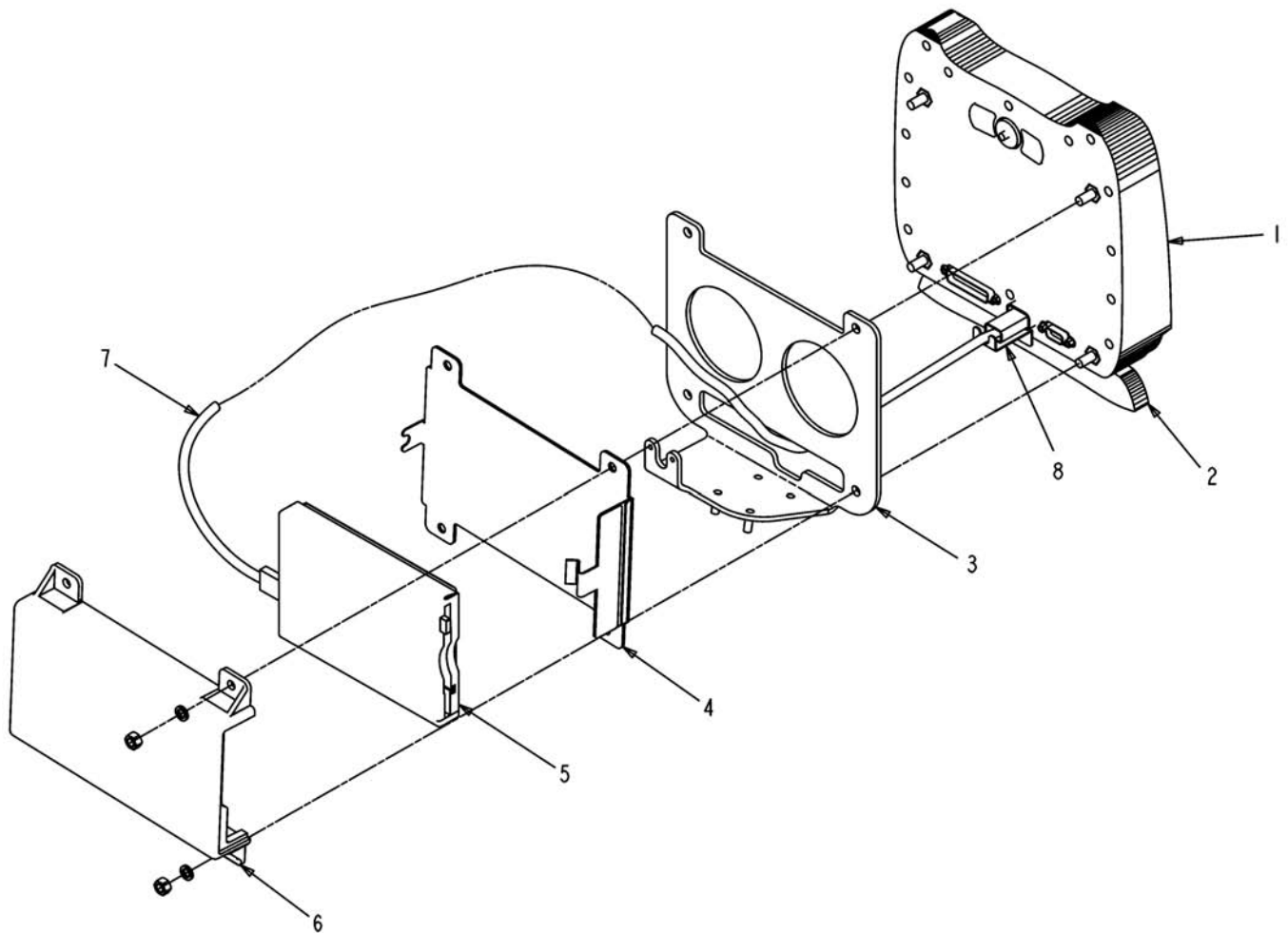
ITEM	PART #	QTY	DESCRIPTION	COMMENTS
1	AG121934	1	BRKT-MTG,KEYBOARD,FLCN II	
2	AG122317	1	KEYBOARD ASM-FLCN II	SEE PAGE 13-8
3	AG522246	8	NUT-M5-0.8,SS,H	
4	AG522247	8	WASHER-LK,M5,SS,REG	
5	AG523508	4	SCR-M5-0.8X16,CL10.9,BLK,BHHS	
6	AG523549	1	CLAMP ASM-MTG,BALL,4.00	
7	AG550493	2	WASHER LK 0.25 ZN REG	
8	AG550507	2	WASHER FL 0.25 ZN REG TYPE-B	
9	AG550612	2	NUT 0.25-20NC HEX ZN REG	
10	AG558788	2	BOLT 0.25-20NCX 1.25 G5 ZN HHD	



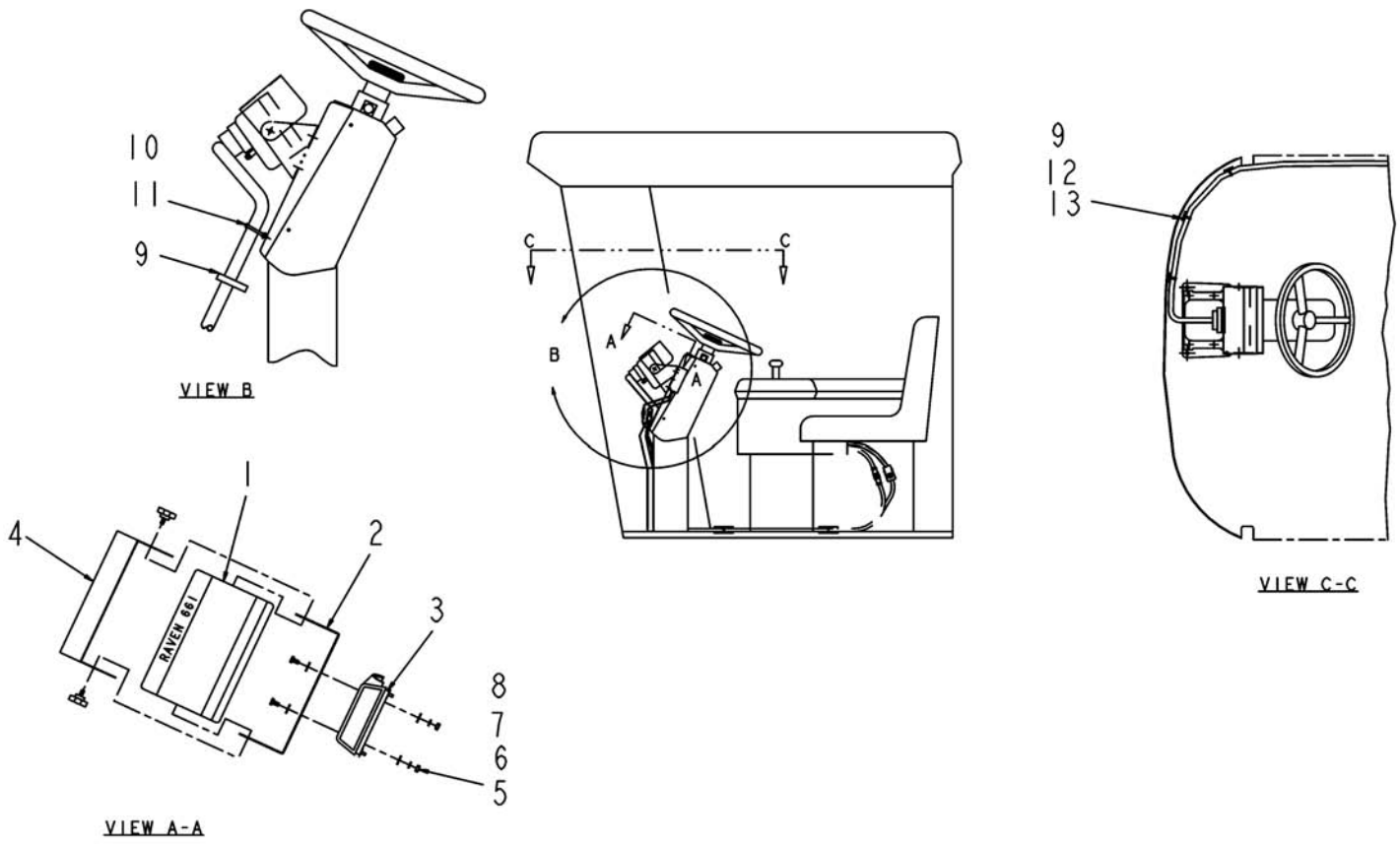
ITEM	PART #	QTY	DESCRIPTION	COMMENTS
1	AG328556	1	BRKT-MTG,MONITOR	
2	AG604418	2	PLUG BLK HOLE 0.37	
3	AG562251	1	PLUG BLACK 0.50 PLASTIC	
4	AG515044	1	SWITCH TOGGLE 2POS 2POLE ONON	[A]
5	AG109342	1	DECAL-POWER,FALCON	
6	AG512451	1	SONALERT	
	FOOTNOTE [A]		REWORK POTTING BOX- AG231866	



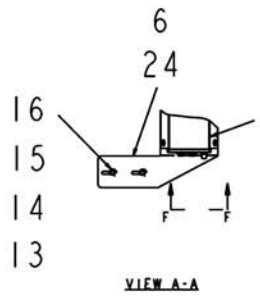
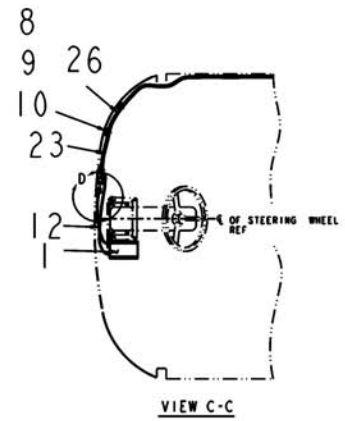
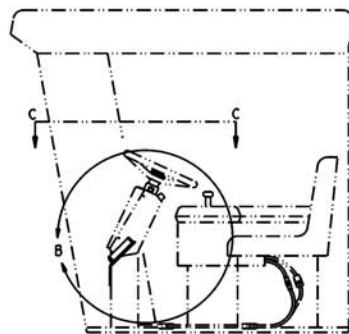
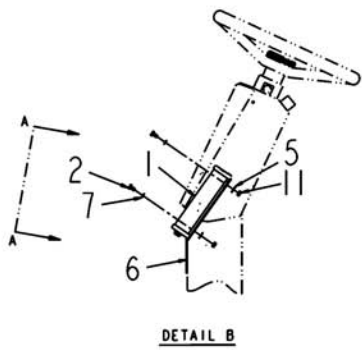
ITEM	PART #	QTY	DESCRIPTION	COMMENTS
1	AG523325	-	KEYBOARD-FLCN II	
2	AG610616	-	DOOR-KEYBOARD (523349)	
3	AG425228	-	BRKT-MTG,KEYBOARD,FLCN II	
4	AG523433	-	DOOR/GASKET ASM-FLOPPY 326992	
5	AG523326	-	DISC DRIVE-3.50 FLOPPY,USB	
6	AG523340	-	ENCLOSURE-DRIVE,FLOPPY	
7	AG261218	-	HARNESS-FLOPPY DRIVE,USB	
8	AG523434	-	CLAMP-CABLE,USB 326992	



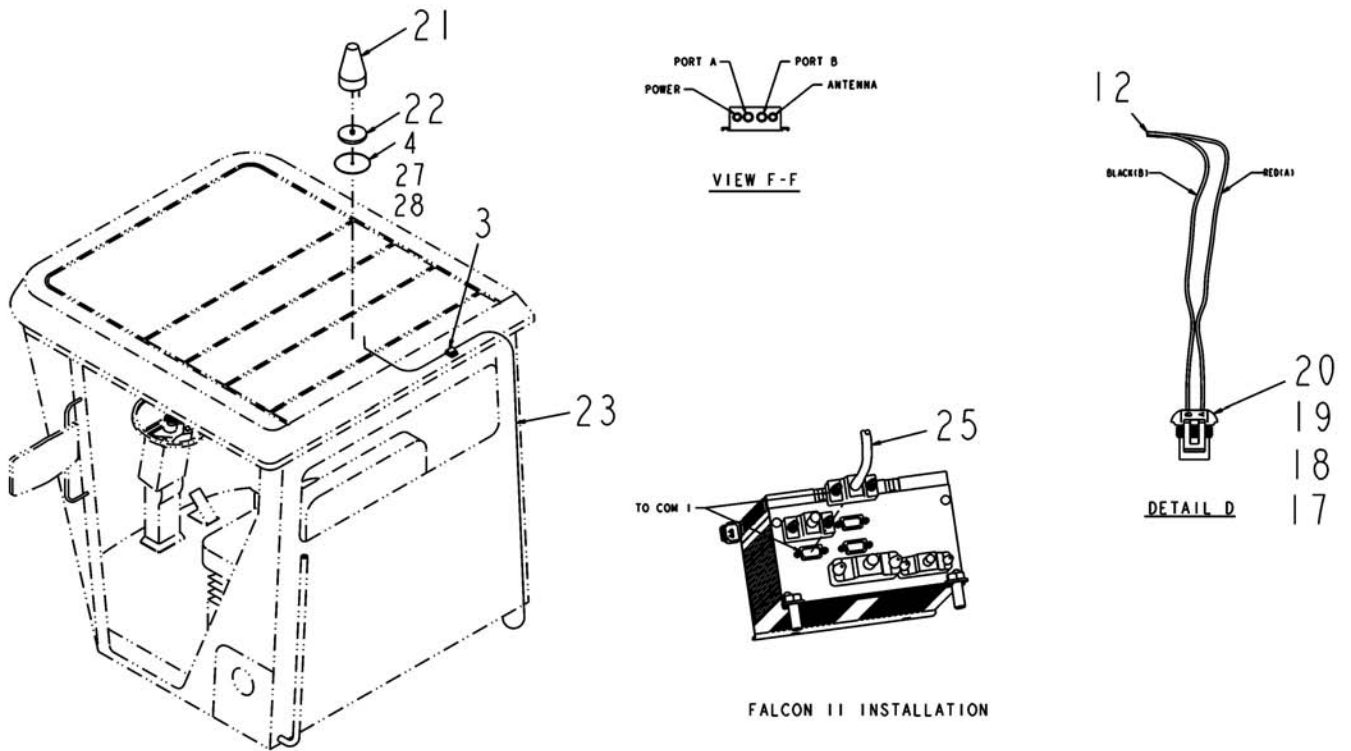
ITEM	PART #	QTY	DESCRIPTION	COMMENTS
1	AG129927	-	KEYBOARD-FLCN II	
2	AG610616	-	DOOR-KEYBOARD (523349)	
3	AG425228	-	BRKT-MTG,KEYBOARD,FLCN II	
4	AG523433	-	DOOR/GASKET ASM-FLOPPY 326992	
5	AG523326	-	DISC DRIVE-3.50 FLOPPY,USB	
6	AG523340	-	ENCLOSURE-DRIVE,FLOPPY	
7	AG261218	-	HARNESS-FLOPPY DRIVE,USB	
8	AG523434	-	CLAMP-CABLE,USB 326992	



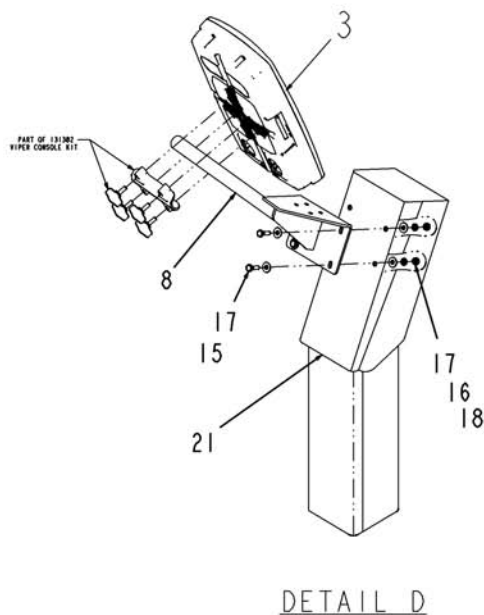
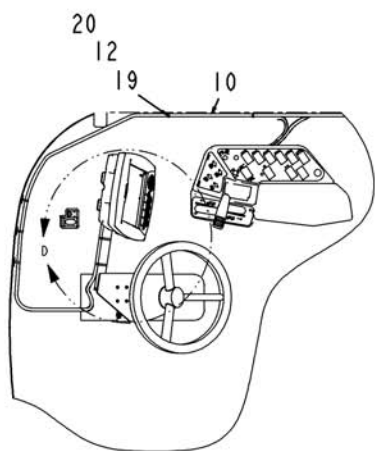
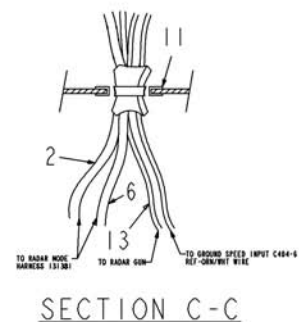
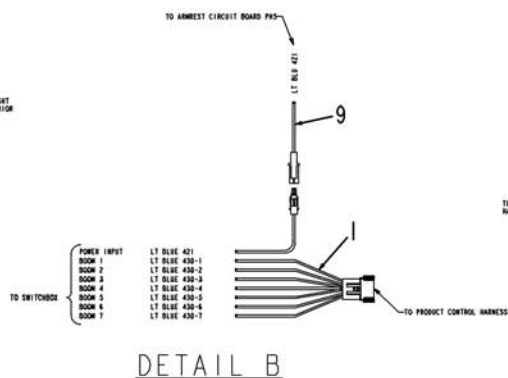
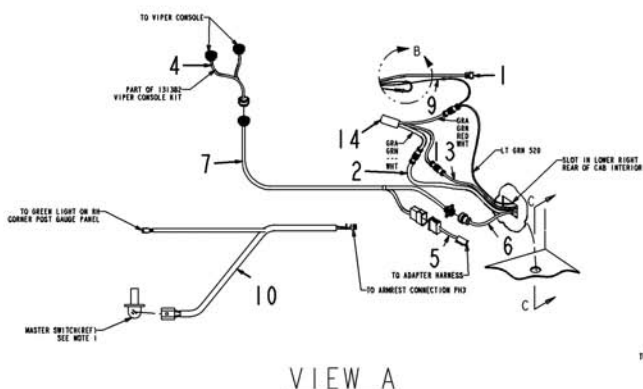
ITEM	PART #	QTY	DESCRIPTION	COMMENTS
1	AG523542	-	CONSOLE-CONT,RVN 661,10 BOOM	[A]
2	AG408424	1	BRACKET RAVEN SCS 460	
3	AG320813	-	PRT COVER REWORK 664-95	
4	AG320826	1	SHIELD SUN SCS 460	
5	AG550493	2	WASHER LK 0.25 ZN REG	
6	AG550507	4	WASHER FL 0.25 ZN REG TYPE-B	
7	AG550612	2	NUT 0.25-20NC HEX ZN REG	
8	AG550485	2	BOLT.25-20NCX.75 G5 ZN HHD	
9	AG517942	4	MOUNT WIRE TIE ADHESIVE B 4WAY	
10	AG517996	1	PUSH MOUNT BASE	
11	AG554278	1	TIE CABLE 11.0 .06-3.06 BLACK	
12	AG562892	3	TIE CABLE 4.0 .06-.75 WHITE	
13	AG519190	AR	ADHESIVE HOT MELT	
	FOOTNOTE [A]		FOR REPLACEMENT KNOB USE AG709338	



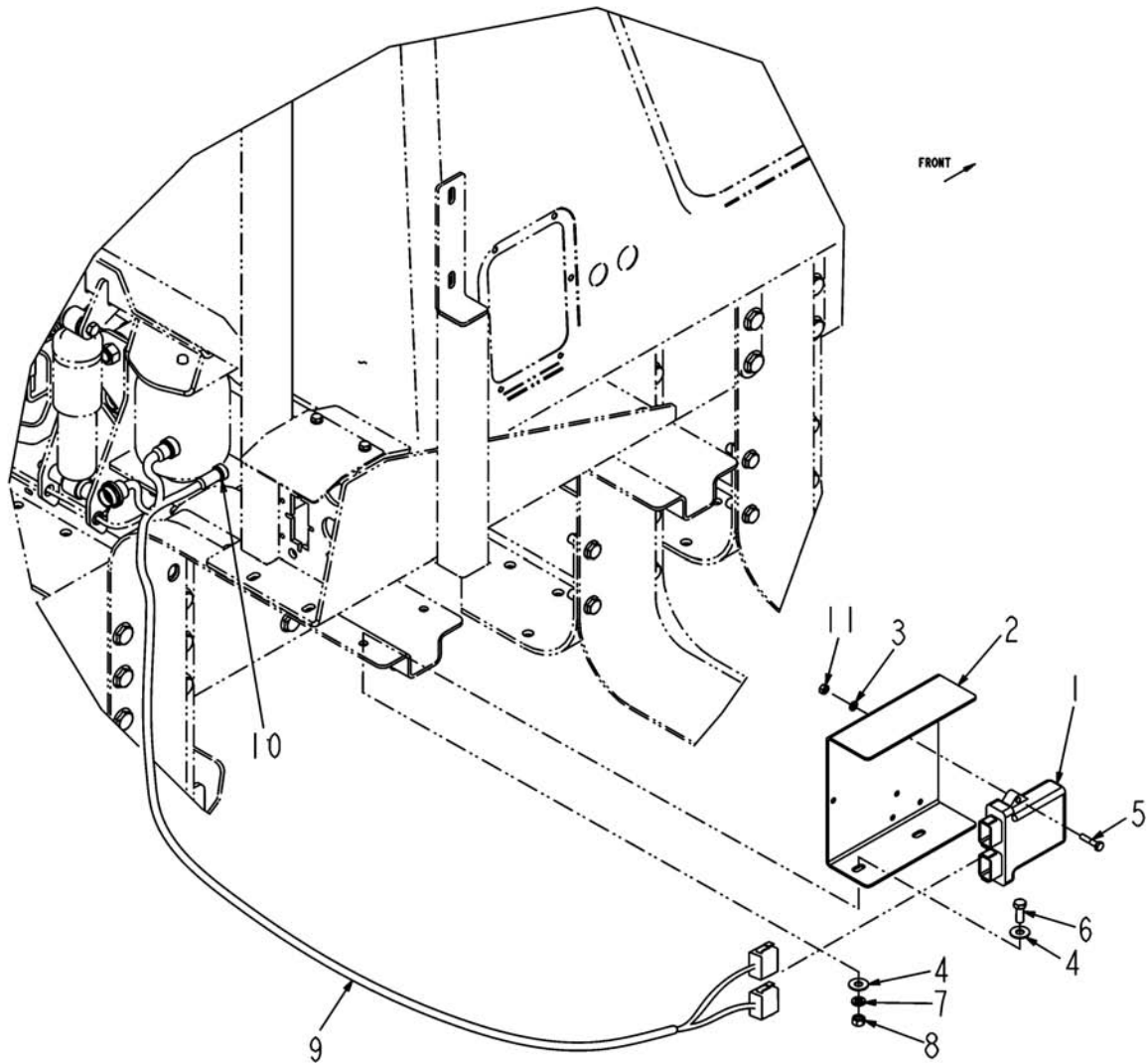
ITEM	PART #	QTY	DESCRIPTION	COMMENTS
1	AG610617	-	RCVR-STRLNK,10HZ (523359)	
2	AG550930	4	SCREW 8-32 X.75 MA ZN SL RD HD	
3	AG562938	4	CABLE CLIP .50 ADH BACK SVR MT	
4	AG120615	1	DISC-MTG,ANTENNA,GPS	
5	AG562130	4	WASHER #8 FLAT TYPE B SS	
6	AG313786	1	BRKT-MTG,RCVR,GPS	
7	AG562066	4	WASHER #8 LK SS REG	
8	AG517942	8	MOUNT WIRE TIE ADHESIVE B 4WAY	
9	AG554278	8	TIE CABLE 11.0 .06-3.06 BLACK	
10	AG519190	AR	ADHESIVE HOT MELT	
11	AG550922	4	NUT 8-32NC HEX ZN REG	
12	AG610624	-	CABLE-POWER,RCVR (523353)	
13	AG550485	2	BOLT.25-20NCX.75 G5 ZN HHD	
14	AG550507	4	WASHER FL 0.25 ZN REG TYPE-B	
15	AG550493	2	WASHER LK 0.25 ZN REG	
16	AG550612	2	NUT 0.25-20NC HEX ZN REG	
17	AG520260	1	LOCK-METRIPACK,280/2 WIRE	
18	AG517617	1	CONNECTOR FE 2 WAY 280 SEALED	
19	AG515764	2	SEAL CABLE GREEN REEL 18-16 GA	
20	AG519290	2	TERM METRI-PACK F280/20-16 GA	
21	AG610619	-	ANTENNA-STRLNK,GPS/DGPS(523353)	
22	AG610621	-	MAGNET-MTG,ANTENNA (523353)	
23	AG610620	-	CABLE-ANTENNA,15FT (523335)	
24	AG322143	1	PRT COVER REWORK	
25	AG123946	-	CABLE-DATA,7 FT	
26	AG123019	1	HARNES-PWR,GPS	
27	AG523201	-	TAPE-ADHESIVE,4.00,HIGH BOND [BULK: 0.330 FT]	
28	AG523200	-	3M 94 1/2 PT TAPE PRIMER [BULK: 0.001 GA]	
29	AG123945	1	RCVR/ANTENNA-GPS,RPR 310	[A]
	FOOTNOTE [A]		THIS IS THE UPDATED VERSION OF 523359. A CHANGE WAS MADE IN THE DATA	
	FOOTNOTE [A]		CABLE ON THE PIN CONNECTIONS TO ALLOW IT TO WORK PROPERLY WITH	
	FOOTNOTE [A]		FALCON SYSTEM ON NEW UNITS. THIS IS THE AGCO ONLY 310 ANTENNA KIT	
	FOOTNOTE [A]		WITH FALCON. IT IS NOT USED TO REPLACE AG523359.	
	FOOTNOTE [A]		AG610617-RECEIVER-RPR 310	
	FOOTNOTE [A]		AG610619-ANTENNA - RPR 310	
	FOOTNOTE [A]		AG610620-CABLE, ANTENNA, 15FT	
	FOOTNOTE [A]		AG610621-MAGNET-MTD, ANTENNA	
	FOOTNOTE [A]		AG610622-MANUAL-RPR 310	
	FOOTNOTE [A]		AG123946-CABLE,DATA-7FT	
	FOOTNOTE [A]		AG610624-CABLE, POWER-RCVR	



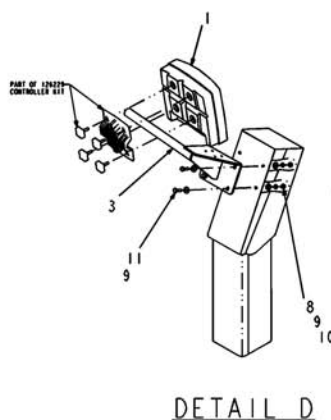
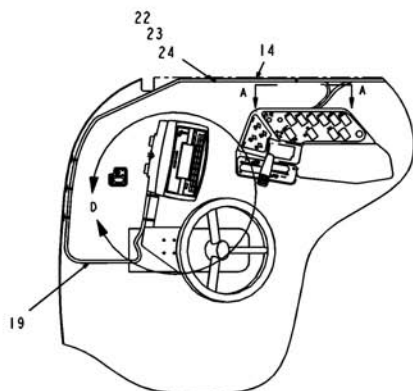
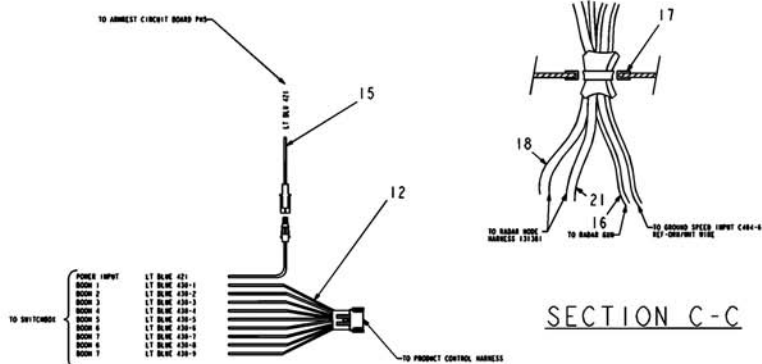
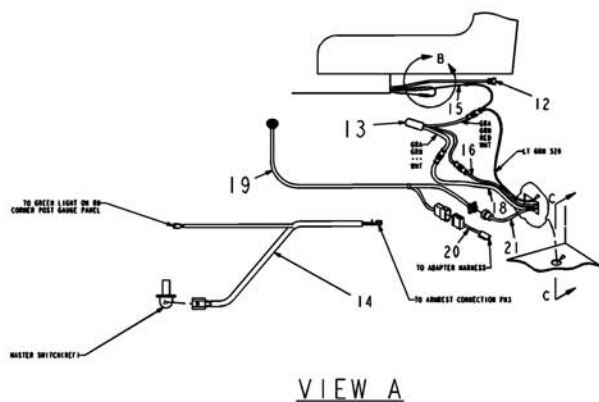
ITEM	PART #	QTY	DESCRIPTION	COMMENTS
1	AG610617	-	RCVR-STRLNK,10HZ (523359)	
2	AG550930	4	SCREW 8-32 X.75 MA ZN SL RD HD	
3	AG562938	4	CABLE CLIP .50 ADH BACK SVR MT	
4	AG120615	1	DISC-MTG,ANTENNA,GPS	
5	AG562130	4	WASHER #8 FLAT TYPE B SS	
6	AG313786	1	BRKT-MTG,RCVR,GPS	
7	AG562066	4	WASHER #8 LK SS REG	
8	AG517942	8	MOUNT WIRE TIE ADHESIVE B 4WAY	
9	AG554278	8	TIE CABLE 11.0 .06-3.06 BLACK	
10	AG519190	AR	ADHESIVE HOT MELT	
11	AG550922	4	NUT 8-32NC HEX ZN REG	
12	AG610624	-	CABLE-POWER,RCVR (523353)	
13	AG550485	2	BOLT.25-20NCX.75 G5 ZN HHD	
14	AG550507	4	WASHER FL 0.25 ZN REG TYPE-B	
15	AG550493	2	WASHER LK 0.25 ZN REG	
16	AG550612	2	NUT 0.25-20NC HEX ZN REG	
17	AG520260	1	LOCK-METRIPACK,280/2 WIRE	
18	AG517617	1	CONNECTOR FE 2 WAY 280 SEALED	
19	AG515764	2	SEAL CABLE GREEN REEL 18-16 GA	
20	AG519290	2	TERM METRI-PACK F280/20-16 GA	
21	AG610619	-	ANTENNA-STRLNK,GPS/DGPS(523353)	
22	AG610621	-	MAGNET-MTG,ANTENNA (523353)	
23	AG610620	-	CABLE-ANTENNA,15FT (523335)	
24	AG322143	1	PRT COVER REWORK	
25	AG123946	-	CABLE-DATA,7 FT	
26	AG123019	1	HARNES-PWR,GPS	
27	AG523201	-	TAPE-ADHESIVE,4.00,HIGH BOND [BULK: 0.330 FT]	
28	AG523200	-	3M 94 1/2 PT TAPE PRIMER [BULK: 0.001 GA]	
29	AG123945	1	RCVR/ANTENNA-GPS,RPR 310	[A]
	FOOTNOTE [A]		THIS IS THE UPDATED VERSION OF 523359. A CHANGE WAS MADE IN THE DATA	
	FOOTNOTE [A]		CABLE ON THE PIN CONNECTIONS TO ALLOW IT TO WORK PROPERLY WITH	
	FOOTNOTE [A]		FALCON SYSTEM ON NEW UNITS. THIS IS THE AGCO ONLY 310 ANTENNA KIT	
	FOOTNOTE [A]		WITH FALCON. IT IS NOT USED TO REPLACE AG523359.	
	FOOTNOTE [A]		AG610617-RECEIVER-RPR 310	
	FOOTNOTE [A]		AG610619-ANTENNA - RPR 310	
	FOOTNOTE [A]		AG610620-CABLE, ANTENNA, 15FT	
	FOOTNOTE [A]		AG610621-MAGNET-MTD, ANTENNA	
	FOOTNOTE [A]		AG610622-MANUAL-RPR 310	
	FOOTNOTE [A]		AG123946-CABLE,DATA-7FT	
	FOOTNOTE [A]		AG610624-CABLE, POWER-RCVR	



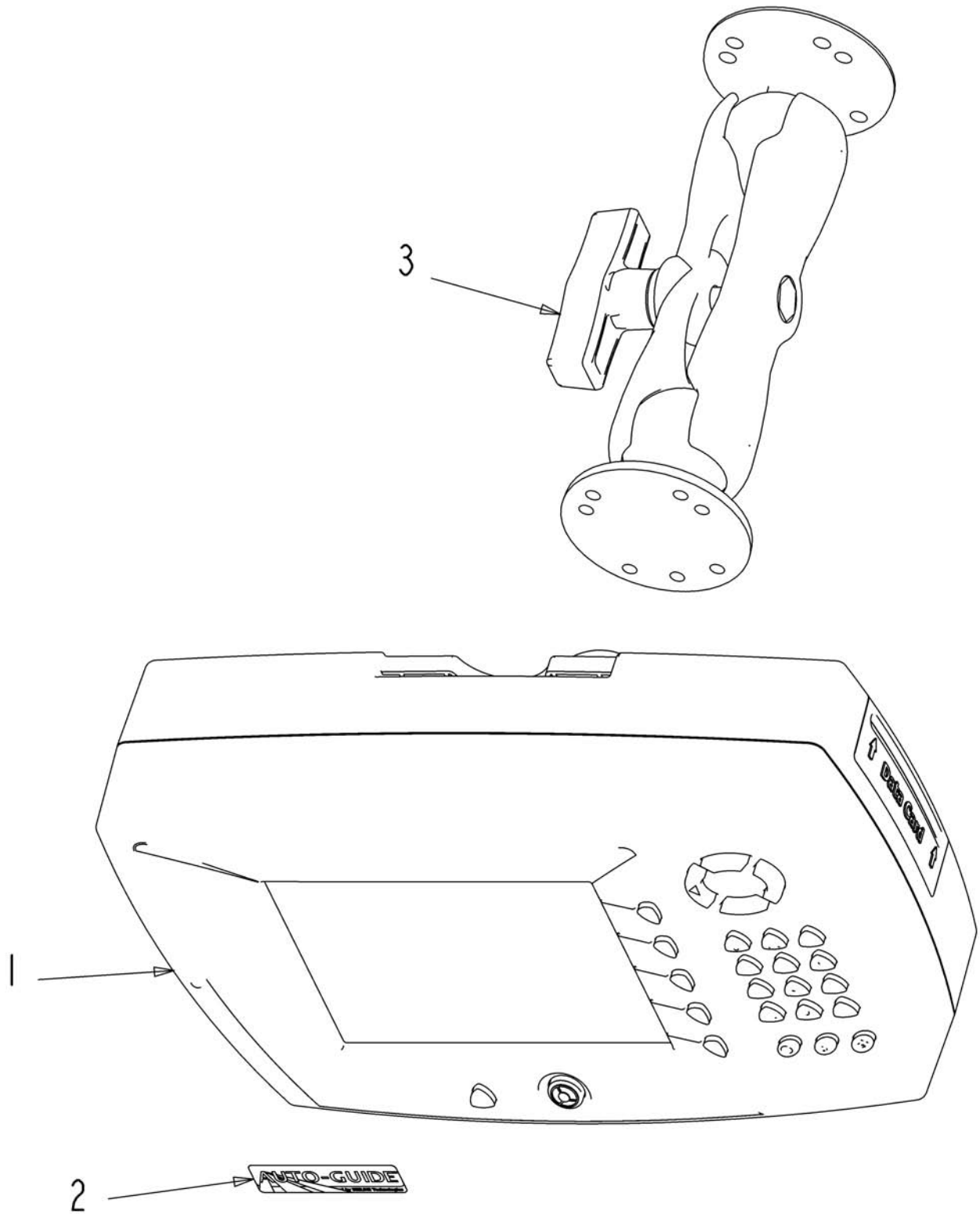
ITEM	PART #	QTY	DESCRIPTION	COMMENTS
1	507356D1	-	HARN-SWITCHBOX,7SECT,8/10X4	
2	AG125785	1	HARNESS-RADAR EXTENSION,32.00	
3	AG131382	1	CONSOLE KIT-VIPER W/CABLE,1VRA	
4	AG131383	-	HARN-ADAPT,VIPER TO RVN4000	
5	505628D1	1	HARNESS-ADPTR,CONTROLLER PWR	
6	AG131422	1	HARN-EXT,VIPER CAB	
7	AG136332	1	HARNESS-CONSOLE,RAVEN 4K/VIPER	
8	505624D1	1	BRKT WLDMT-MTG,VIPER,RVN	
9	AG322712	-	HARNESS-RADAR & SWITCH BOX PWR	
10	AG420246	1	HARNESS-SWITCH ASM	
11	AG513654	-	EDGE LINER .19 IN TK MAT PVC [BULK: 7.000 FT]	
12	AG517942	2	MOUNT WIRE TIE ADHESIVE B 4WAY	
13	AG520869	-	BOLT-M12-1.75X40,CL10.9,PH,FLG	
14	AG520962	1	AMPLIFIER-RADAR	
15	AG550698	4	BOLT 0.25-20NCX 1.00 G5 ZN HHD	
16	AG550493	4	WASHER LK 0.25 ZN REG	
17	AG550507	8	WASHER FL 0.25 ZN REG TYPE-B	
18	AG550612	4	NUT 0.25-20NC HEX ZN REG	
19	AG551287	2	SCREW 10-16X.50 TAP ZN HHD (D)	
20	AG554278	AR	TIE CABLE 11.0 .06-3.06 BLACK	
21	AG320813	-	PRT COVER REWORK 664-95	



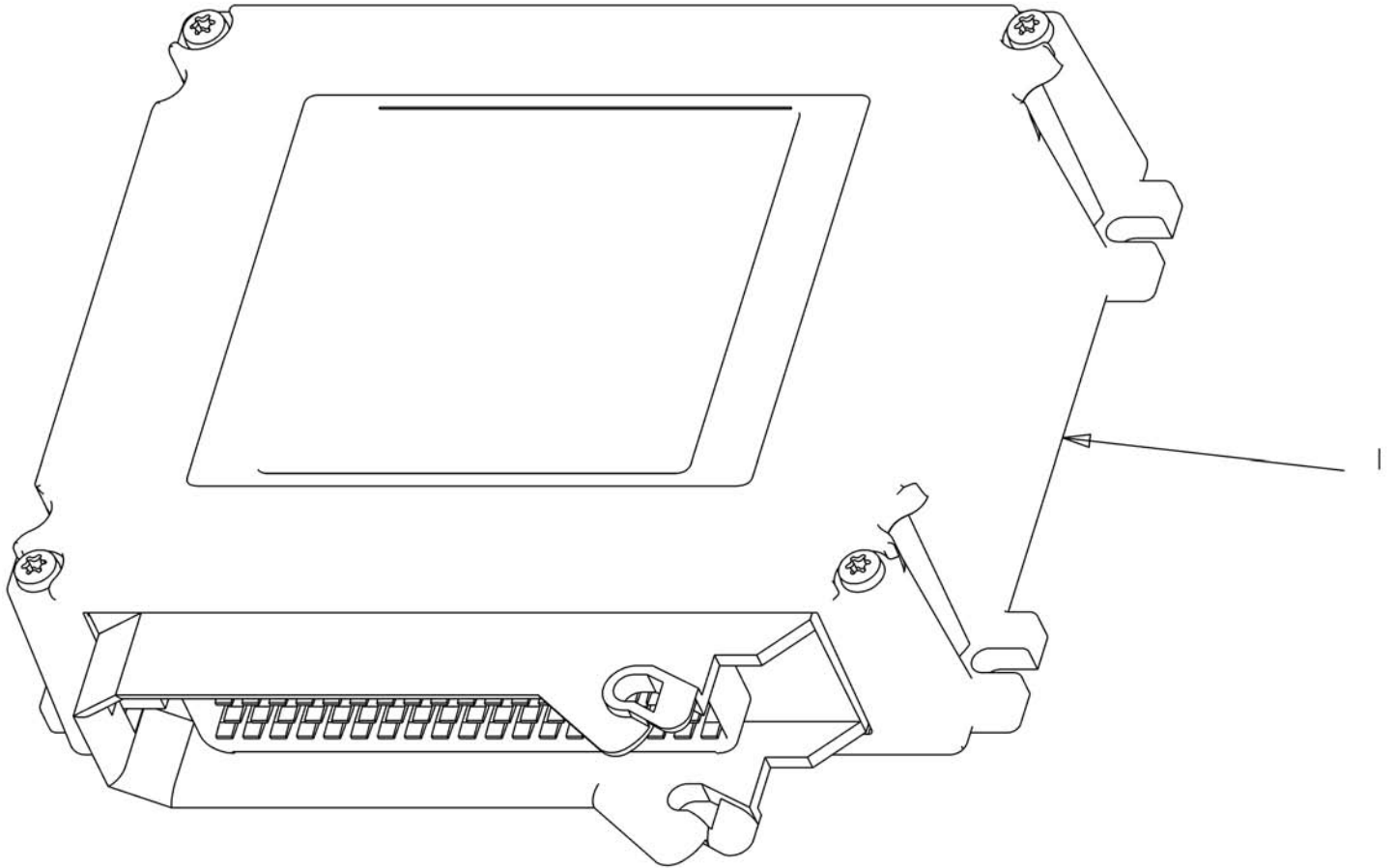
ITEM	PART #	QTY	DESCRIPTION	COMMENTS
1	AG126233	1	NODE-BOOM/SPEED,RVN	
2	AG131419	1	BRKT,NODE,CHASSIS	
3	AG515122	2	WASHER LK 0.25 SS REG	
4	AG523061	4	WASHER-FL,.37,SS,REG TYPE B	
5	AG561952	2	BOLT 0.25-20NCX 1.25 S.S. HHD	
6	AG562048	2	BOLT 0.37-16NCX 1.00 S.S. HHD	
7	AG562050	2	WASHER LK 0.37 SS REG	
8	AG562065	2	NUT 0.37-16NC HEX SS REG	
9	AG131381	1	HARNESSE-RADAR,VIPER	
10	AG519446	1	SEAL PERIPHERAL 11 SHELL	
11	AG515123	2	NUT 0.25-20NC HEX SS REG	



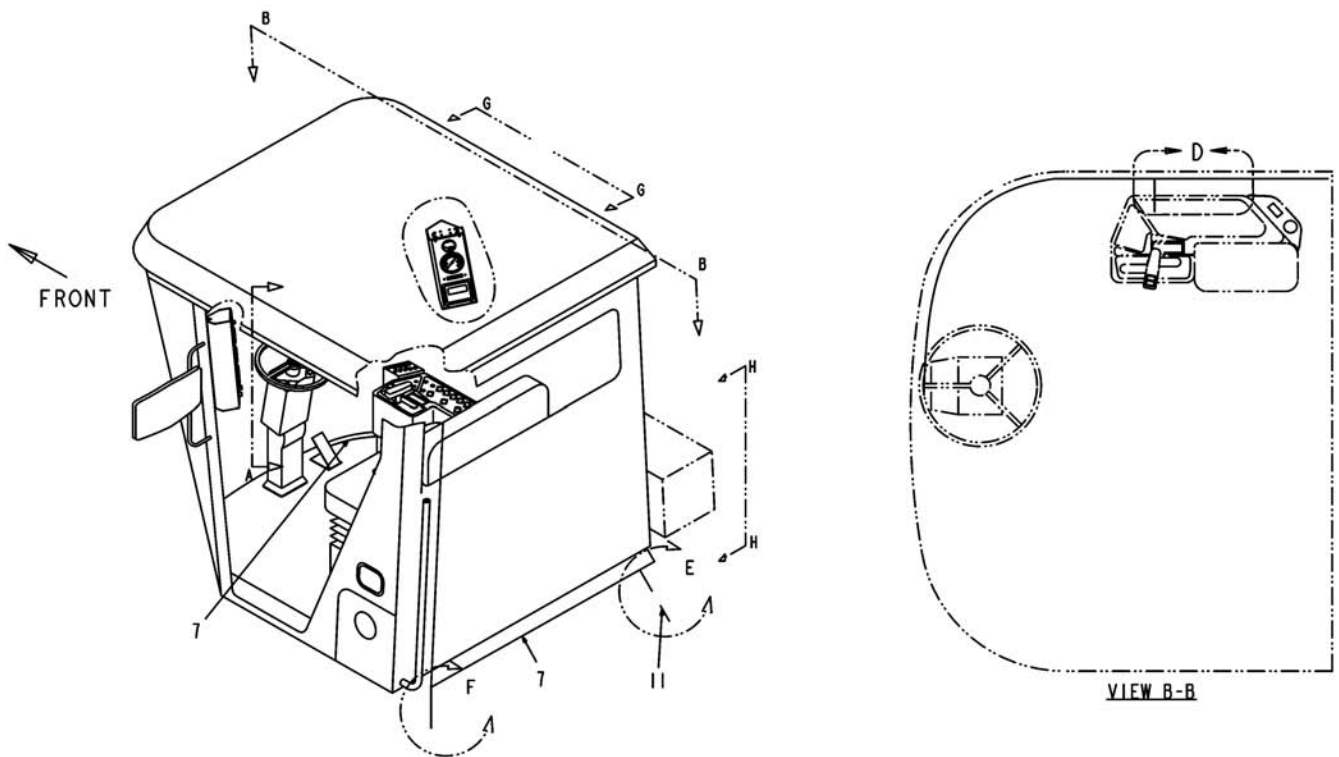
ITEM	PART #	QTY	DESCRIPTION	COMMENTS
1	AG126229	1	CONSOLE-RVN 4000	
3	505624D1	1	BRKT WLDMT-MTG,VIPER,RVN	
8	AG550493	4	WASHER LK 0.25 ZN REG	
9	AG550507	8	WASHER FL 0.25 ZN REG TYPE-B	
10	AG550612	4	NUT 0.25-20NC HEX ZN REG	
11	AG558788	4	BOLT 0.25-20NCX 1.25 G5 ZN HHD	
12	507356D1	-	HARN-SWITCHBOX,7SECT,8/10X4	
13	AG520962	1	AMPLIFIER-RADAR	
14	AG420246	1	HARNES-SWITCH ASM	
15	AG322712	-	HARNES-RADAR & SWITCH BOX PWR	
16	AG520869	-	BOLT-M12-1.75X40,CL10.9,PH,FLG	
17	AG513654	-	EDGE LINER .19 IN TK MAT PVC [BULK: 7.000 FT]	
18	AG125785	1	HARNES-RADAR EXTENSION,32.00	
19	AG136332	1	HARNES-CONSOLE,RAVEN 4K/VIPER	
20	505628D1	1	HARNES-ADPTR,CONTROLLER PWR	
21	AG131422	1	HARN-EXT,VIPER CAB	
22	AG554278	AR	TIE CABLE 11.0 .06-3.06 BLACK	
23	AG517942	2	MOUNT WIRE TIE ADHESIVE B 4WAY	
24	AG551287	2	SCREW 10-16X.50 TAP ZN HHD (D)	



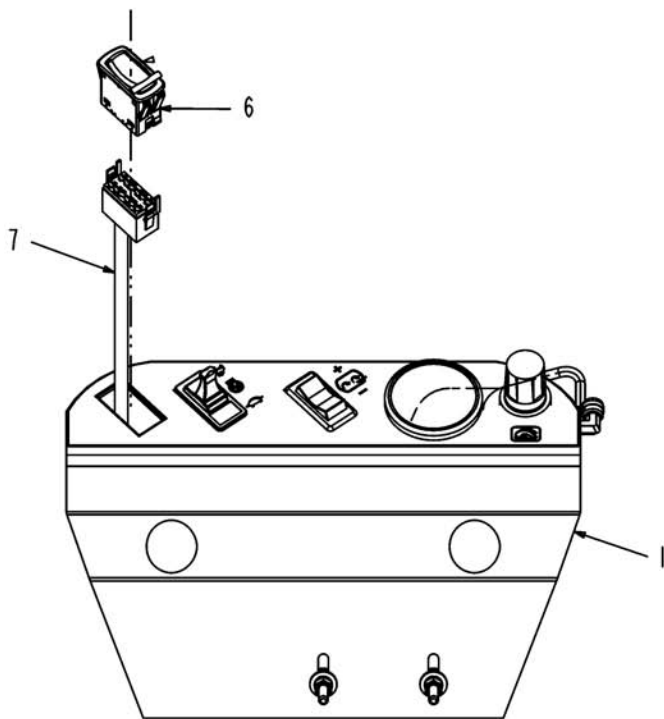
ITEM	PART #	QTY	DESCRIPTION	COMMENTS
REF	AG132498	1	SOFTWARE,TERMINAL,AG	
1	AG129560	1	AUTO-GUIDE TERMINAL	
2	AG132640	1	DECAL-AUTO GUIDE	
3	AG523464	1	CLAMP ASM-MTG,BALL,7.50	



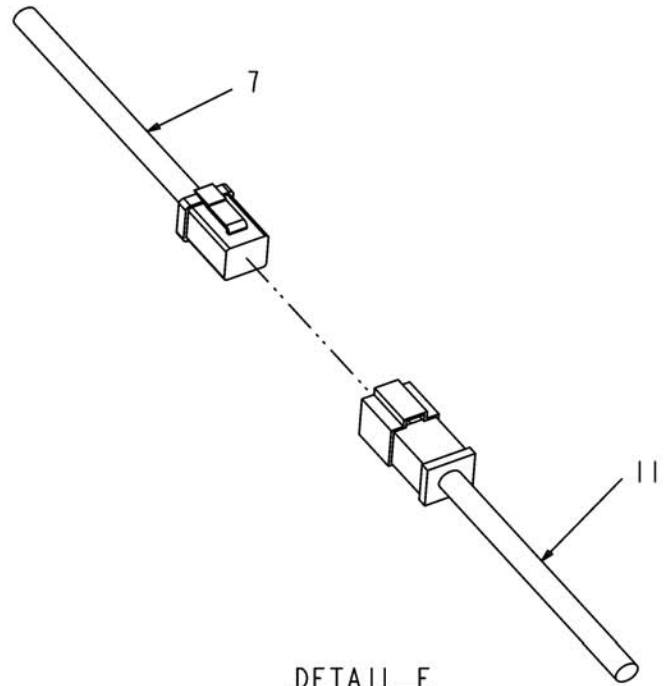
ITEM	PART #	QTY	DESCRIPTION	COMMENTS
REF	AG132499	1	SOFTWARE,VIU,AG	
1	AG125707	1	VIU-BEELINE,AUTOGUIDE	



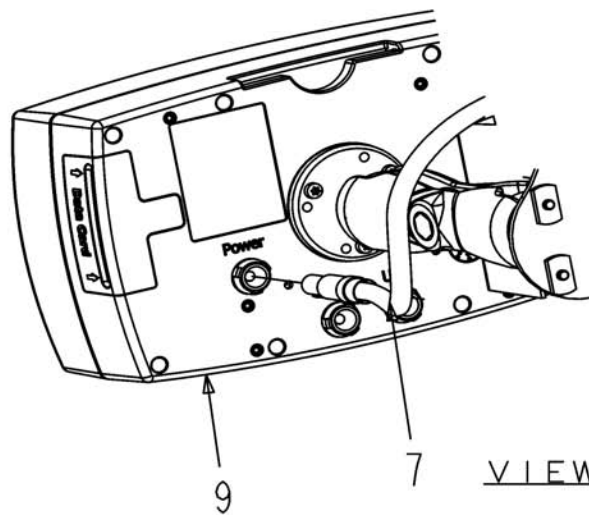
ITEM	PART #	QTY	DESCRIPTION	COMMENTS
1	AG121937	-	CTRL INSTL-THROTTLE/CAB RIDE	SEE PAGE 7-33
2	AG124865	-	FUSE BLOCK INSTL	SEE PAGE 9-7
3	AG124868	-	HARN-CHASSIS,864	
4	AG125706	-	HARN-WHEEL ANGLE SENSOR,TG,3WL	
5	AG125708	1	CABLE-SOLENOID	
6	AG129570	1	SWITCH-RKR,OFF-ON-ON,AS,CS-L	
7	AG134602	1	HARN-CHASSIS,AUTOGUIDE,8/1064	
8	AG134744	-	INSTL-TOPDOCK,CAB	SEE PAGE 13-22
9	AG133891	-	TERMINAL KIT	SEE PAGE 13-14
10	AG553557	AR	TIE CABLE 7.37 .06-1.37 BLACK	
11	503032D1	1	HARN-CHASSIS,9203,TG	



DETAIL D

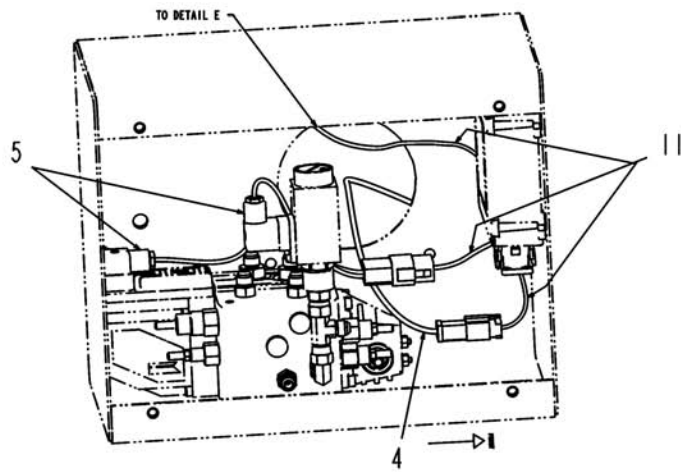
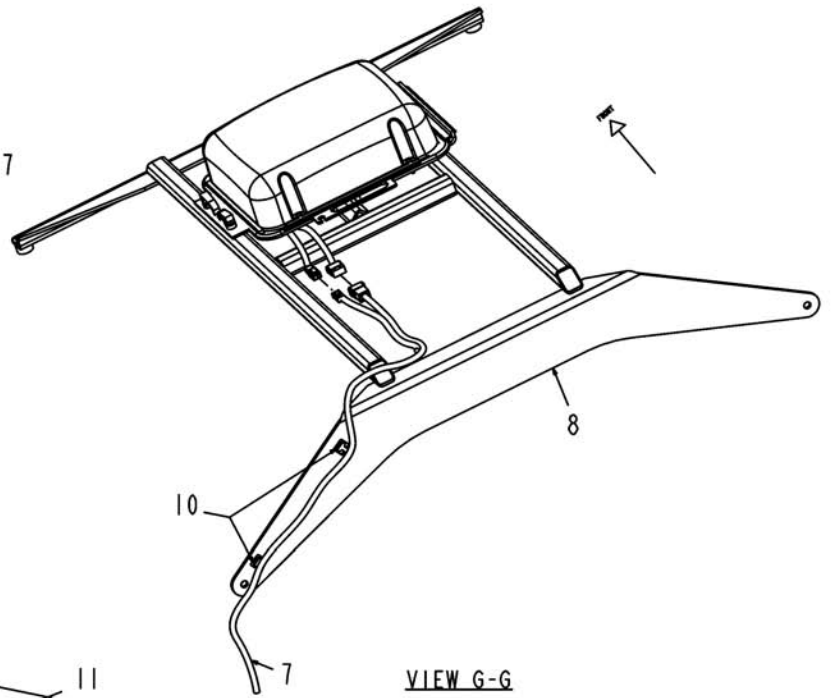
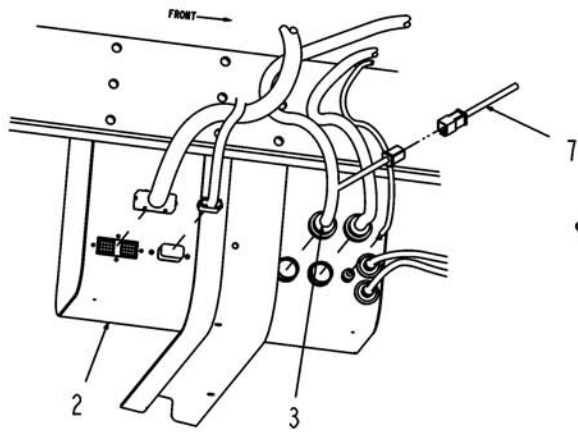


DETAIL E

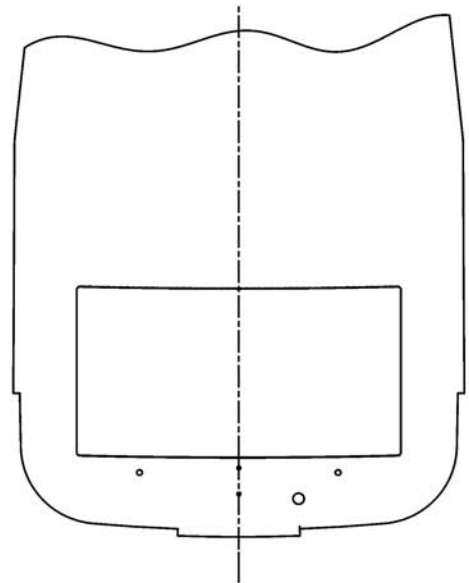
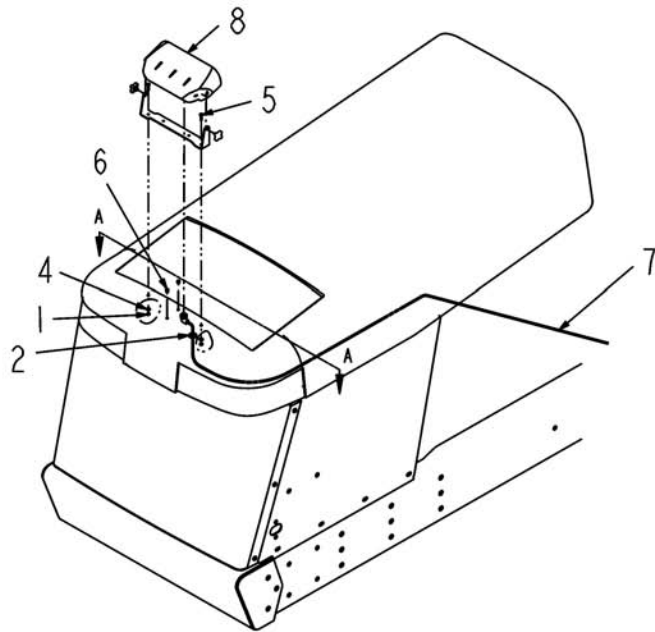


VIEW A-A

ITEM	PART #	QTY	DESCRIPTION	COMMENTS
1	AG121937	-	CTRL INSTL-THROTTLE/CAB RIDE	SEE PAGE 7-33
2	AG124865	-	FUSE BLOCK INSTL	SEE PAGE 9-7
3	AG124868	-	HARN-CHASSIS,864	
4	AG125706	-	HARN-WHEEL ANGLE SENSOR,TG,3WL	
5	AG125708	1	CABLE-SOLENOID	
6	AG129570	1	SWITCH-RKR,OFF-ON-ON,AS,CS-L	
7	AG134602	1	HARN-CHASSIS,AUTOGUIDE,8/1064	
8	AG134744	-	INSTL-TOPDOCK,CAB	SEE PAGE 13-22
9	AG133891	-	TERMINAL KIT	SEE PAGE 13-14
10	AG553557	AR	TIE CABLE 7.37 .06-1.37 BLACK	
11	503032D1	1	HARN-VIU,9203,TG	

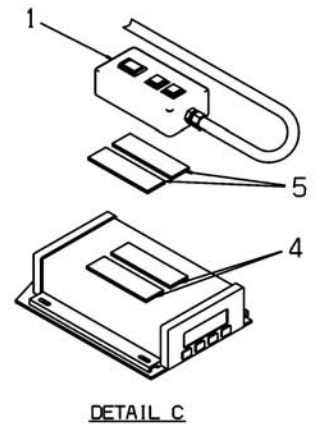
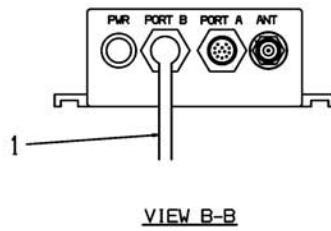
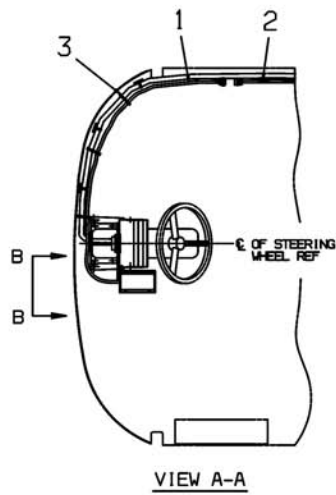
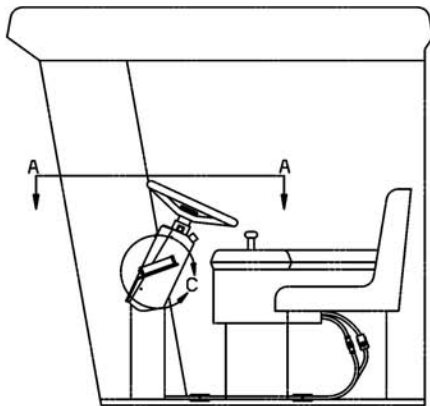


ITEM	PART #	QTY	DESCRIPTION	COMMENTS
1	AG121937	-	CTRL INSTL-THROTTLE/CAB RIDE	SEE PAGE 7-33
2	AG124865	-	FUSE BLOCK INSTL	SEE PAGE 9-7
3	AG124868	-	HARN-CHASSIS,864	
4	AG125706	-	HARN-WHEEL ANGLE SENSOR,TG,3WL	
5	AG125708	1	CABLE-SOLENOID	
6	AG129570	1	SWITCH-RKR,OFF-ON-ON,AS,CS-L	
7	AG134602	1	HARN-CHASSIS,AUTOGUIDE,8/1064	
8	AG134744	-	INSTL-TOPDOCK,CAB	SEE PAGE 13-22
9	AG133891	-	TERMINAL KIT	SEE PAGE 13-14
10	AG553557	AR	TIE CABLE 7.37 .06-1.37 BLACK	
11	503032D1	1	HARN-VIU,9203,TG	

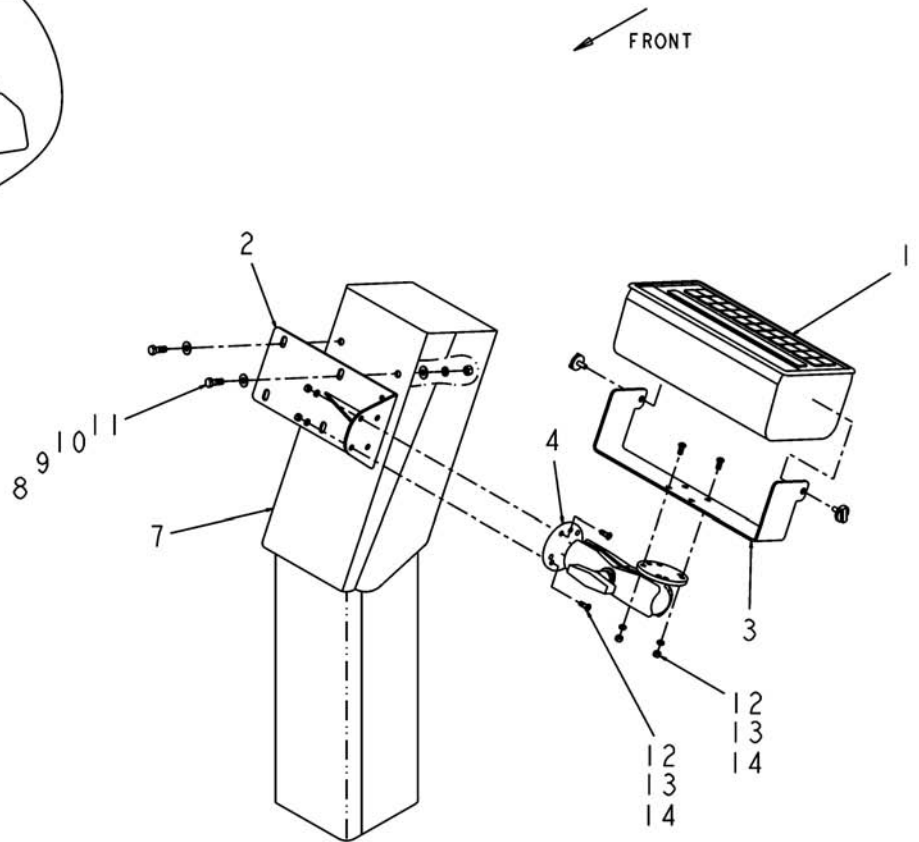
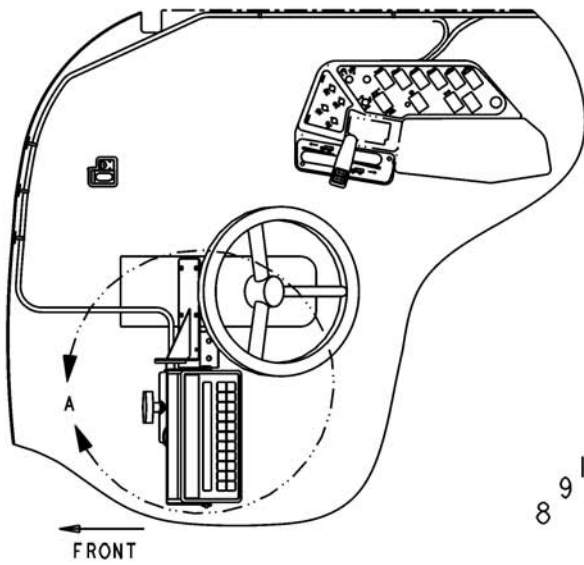


VIEW A-A

ITEM	PART #	QTY	DESCRIPTION	COMMENTS
1	AG027274	2	NUT 10-24NCSS LGT HX NY INS(P)	
2	AG522907	1	GROMMET-RUBBER	
3	AG553557	AR	TIE CABLE 7.37 .06-1.37 BLACK	
4	AG562082	2	WASHER #10 FL SS SAE	
5	AG562127	2	SCREW 10-24X1.00 MACH HHD SS	
6	AG604414	2	PLUG BLK HOLE 0.25	
7	AG610787	-	CABLE-LIGHTBAR,28 FT	
8	AG610789	-	LIGHTBAR-RGL, 600	[A]
	FOOTNOTE [A]		ORDER KIT AG523944	

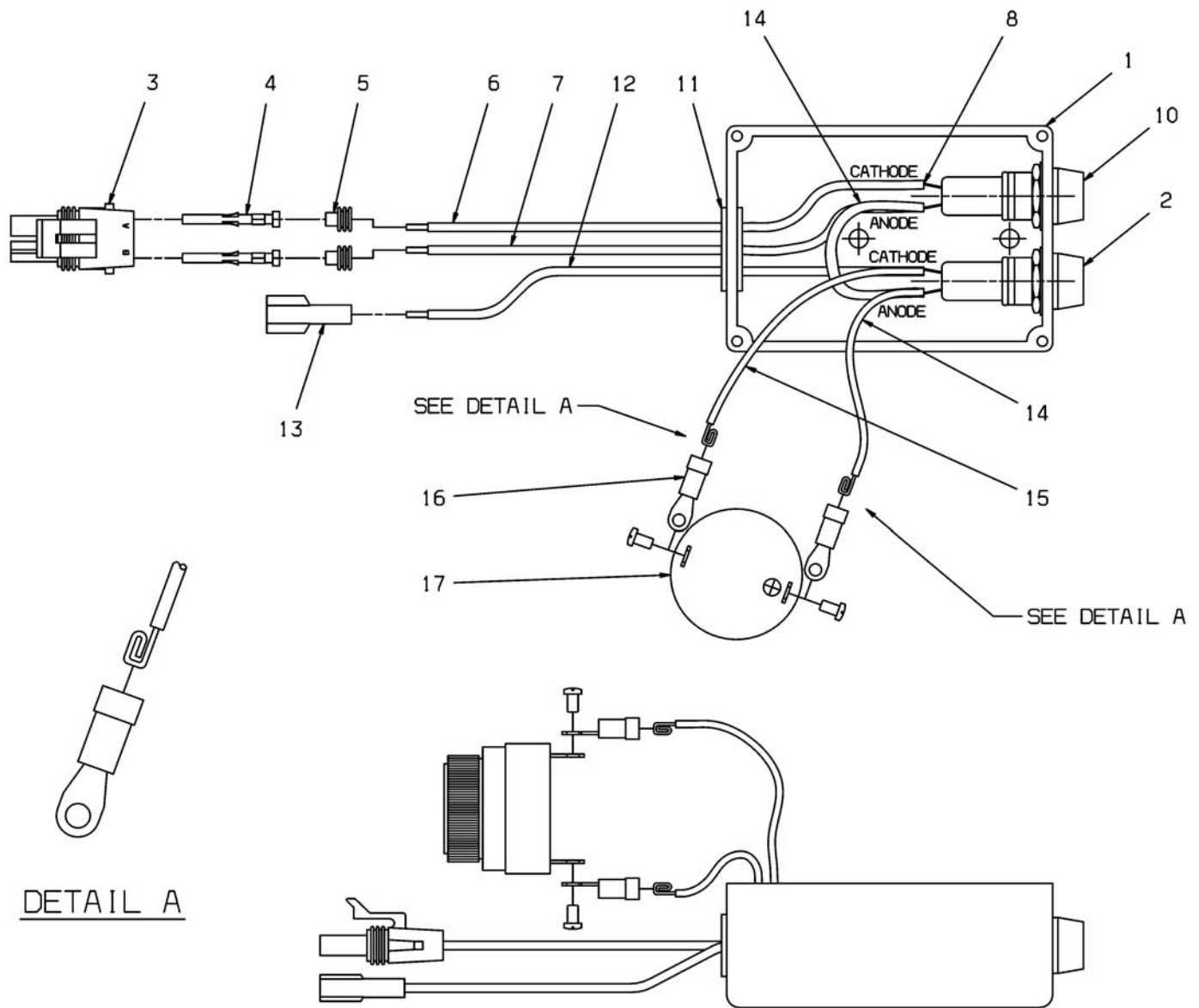


ITEM	PART #	QTY	DESCRIPTION	COMMENTS
1	AG610788	-	BOX-BUTTON,LIGHTBAR	[A]
2	AG610787	-	CABLE-LIGHTBAR,28 FT	
3	AG553557	AR	TIE CABLE 7.37 .06-1.37 BLACK	
4	AG515927	-	FASTNR VELCRO HOOK BLK 1X25YDS [BULK: 0.525 FT]	
5	AG515928	-	FASTNR VELCRO LOOP BLK 1X25YDS [BULK: 0.525 FT]	
	FOOTNOTE [A]		FOR USE WITH STARLINK RECEIVER ONLY	

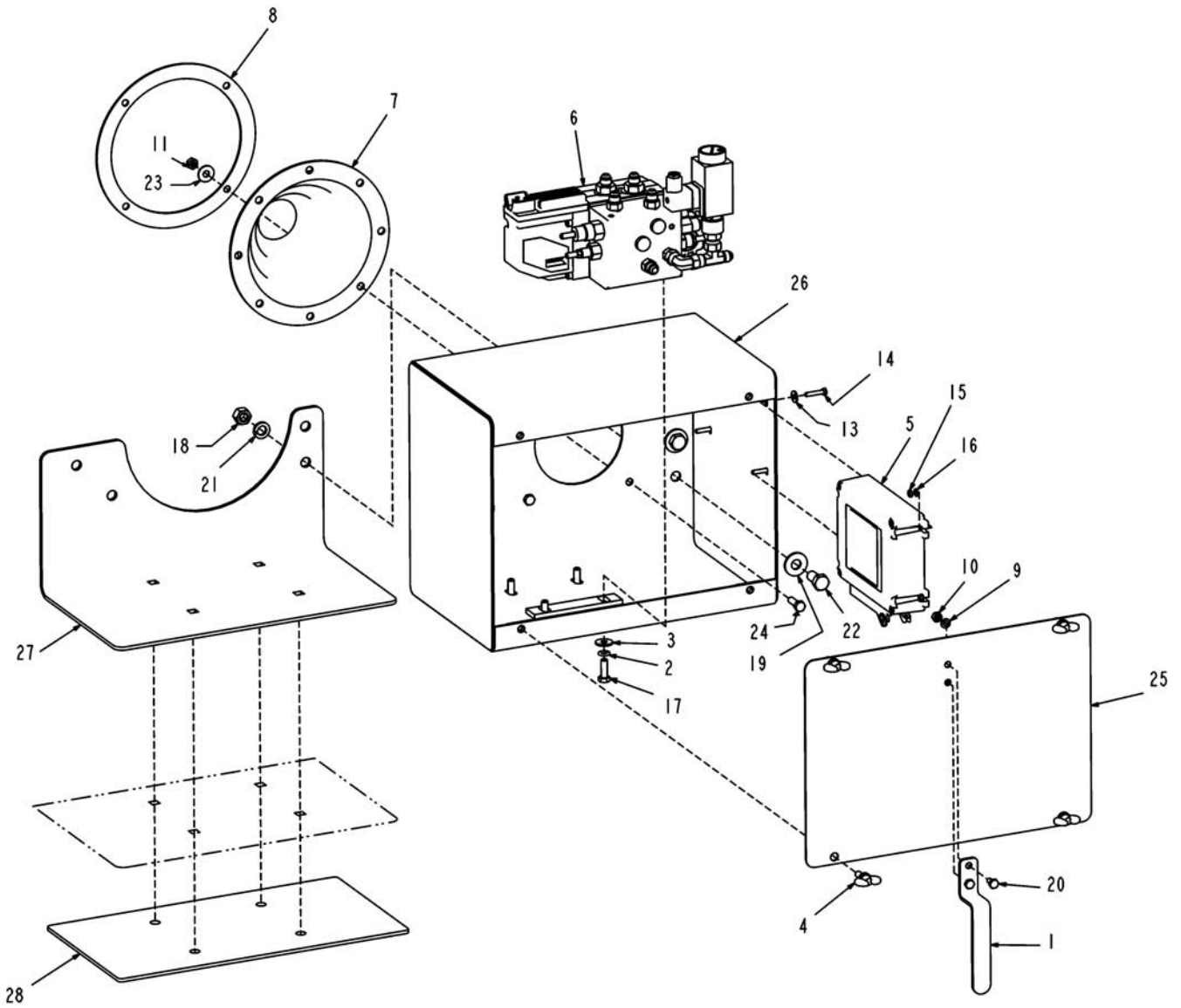


DETAIL A

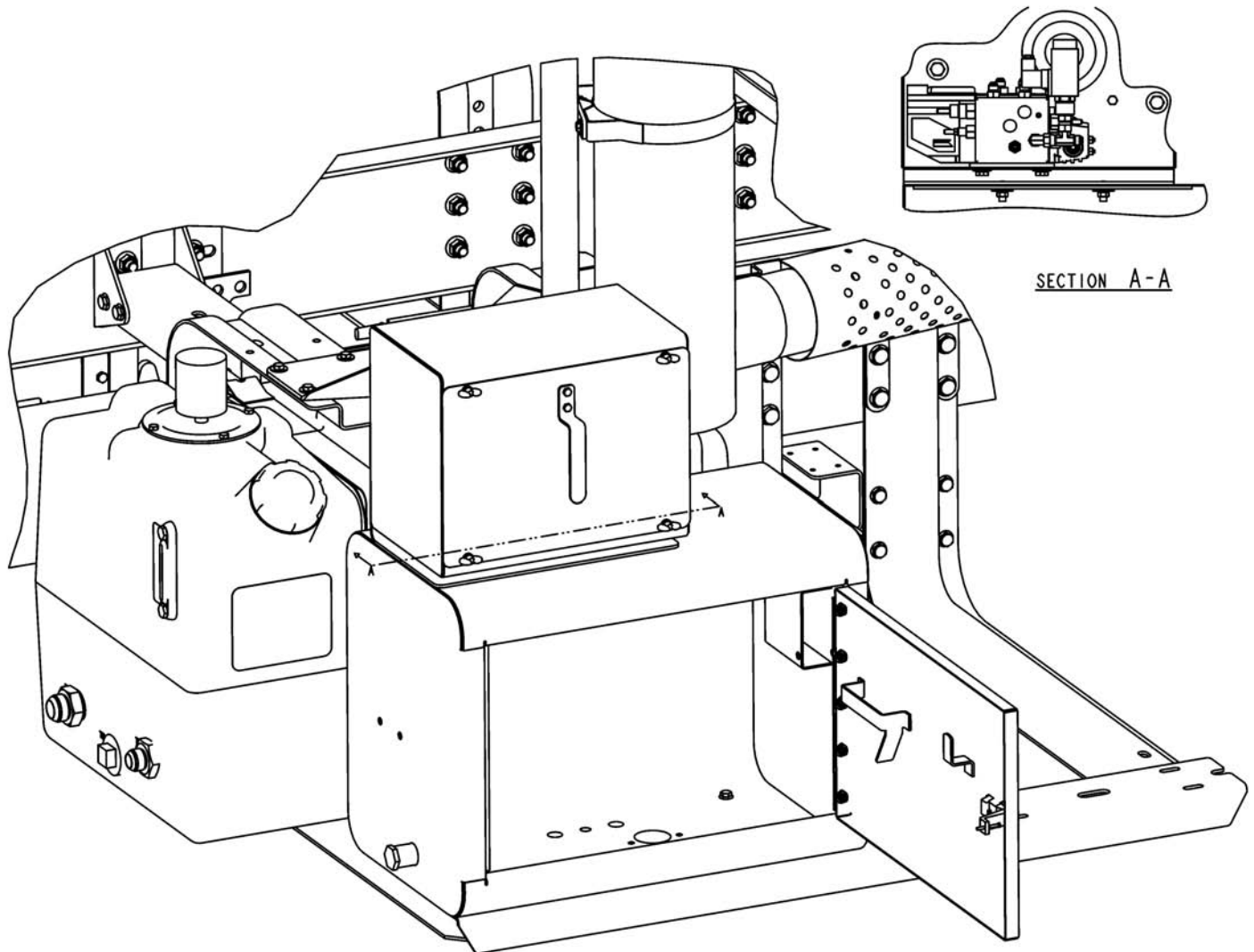
ITEM	PART #	QTY	DESCRIPTION	COMMENTS
1	AG523542	-	CONSOLE-CONT,RVN 661,10 BOOM	[A]
2	AG425301	1	BRKT WLDMT-CONSOLE,OFFSET	
3	AG328742	1	BRKT-MTG,CONSOLE	
4	AG523464	1	CLAMP ASM-MTG,BALL,7.50	
7	AG320813	1	PRT COVER REWORK 664-95	
8	AG550485	4	BOLT.25-20NCX.75 G5 ZN HHD	
9	AG550507	8	WASHER FL 0.25 ZN REG TYPE-B	
10	AG550493	4	WASHER LK 0.25 ZN REG	
11	AG550612	4	NUT 0.25-20NC HEX ZN REG	
12	AG522246	8	NUT-M5-0.8,SS,H	
13	AG522247	8	WASHER-LK,M5,SS,REG	
14	AG523508	8	SCR-M5-0.8X16,CL10.9,BLK,BHHS	
	FOOTNOTE [A]		FOR REPLACEMENT KNOB USE AG709338	



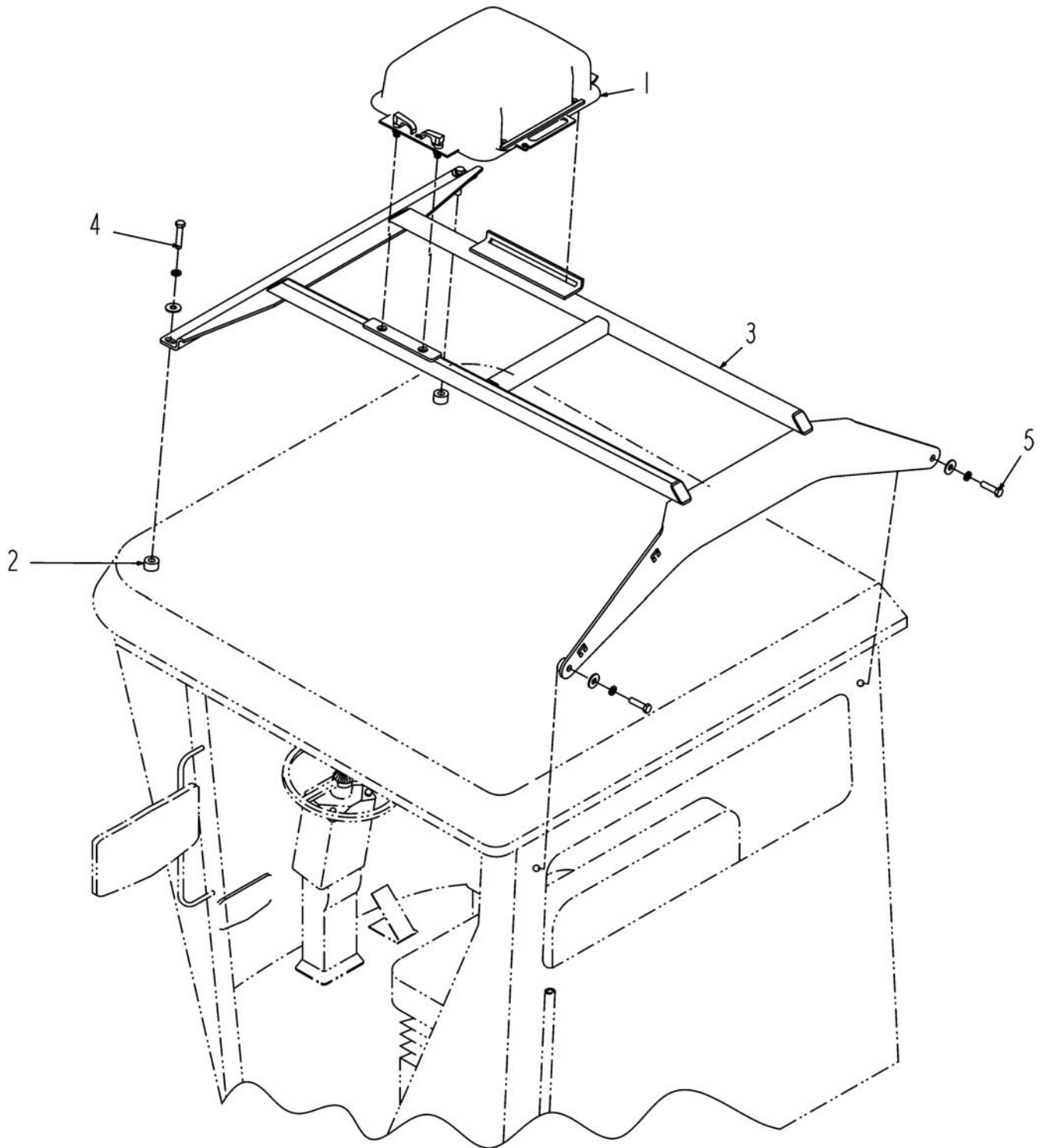
ITEM	PART #	QTY	DESCRIPTION	COMMENTS
1	AG320862	1	BOX ELECTONIC REWORK	
2	AG518003	1	INDICATOR PANEL MOUNT RED	
3	AG515851	1	CONNECTOR ELEC TOWER 2-CONT M	
4	AG515763	2	TERM FE 16-14 GA W/PACK	
5	AG515764	2	SEAL CABLE GREEN REEL 18-16 GA	
6	AG554189	-	WIRE 16 GA GXL BULK GRAY [BULK: 0.500 FT]	
7	AG554154	-	WIRE 16 GA GXL BULK LIGHT BLUE [BULK: 0.500 FT]	
8	AG519757	AR	SOLDER H2O SOLUBLE FLUX CORE	
10	AG517788	1	INDICATOR PANEL MT. GREEN LED	
11	AG604115	1	GROMMET INSL 0.25IDX0.68OD	
12	AG554138	-	WIRE 16 GA GXL BULK YELLOW [BULK: 0.500 FT]	
13	AG554944	1	TERM FULLY INSUL (M) BLUE	[A]
14	AG517474	-	WIRE-20 GA GXL BULK WHT [BULK: 0.500 FT]	
15	AG517472	-	WIRE-20 GA GXL BULK RED [BULK: 0.250 FT]	
16	AG610399	2	TERM-RING,SAE B102 (503295)	
17	AG512451	1	SONALERT	
	FOOTNOTE [A]		AG561833 TERM MALE PUSH-ON12-10 YELLOW, AG561827 TERM FEMALE 12-10 GA. YELLOW	
	FOOTNOTE:		GREEN LED - AG517788	



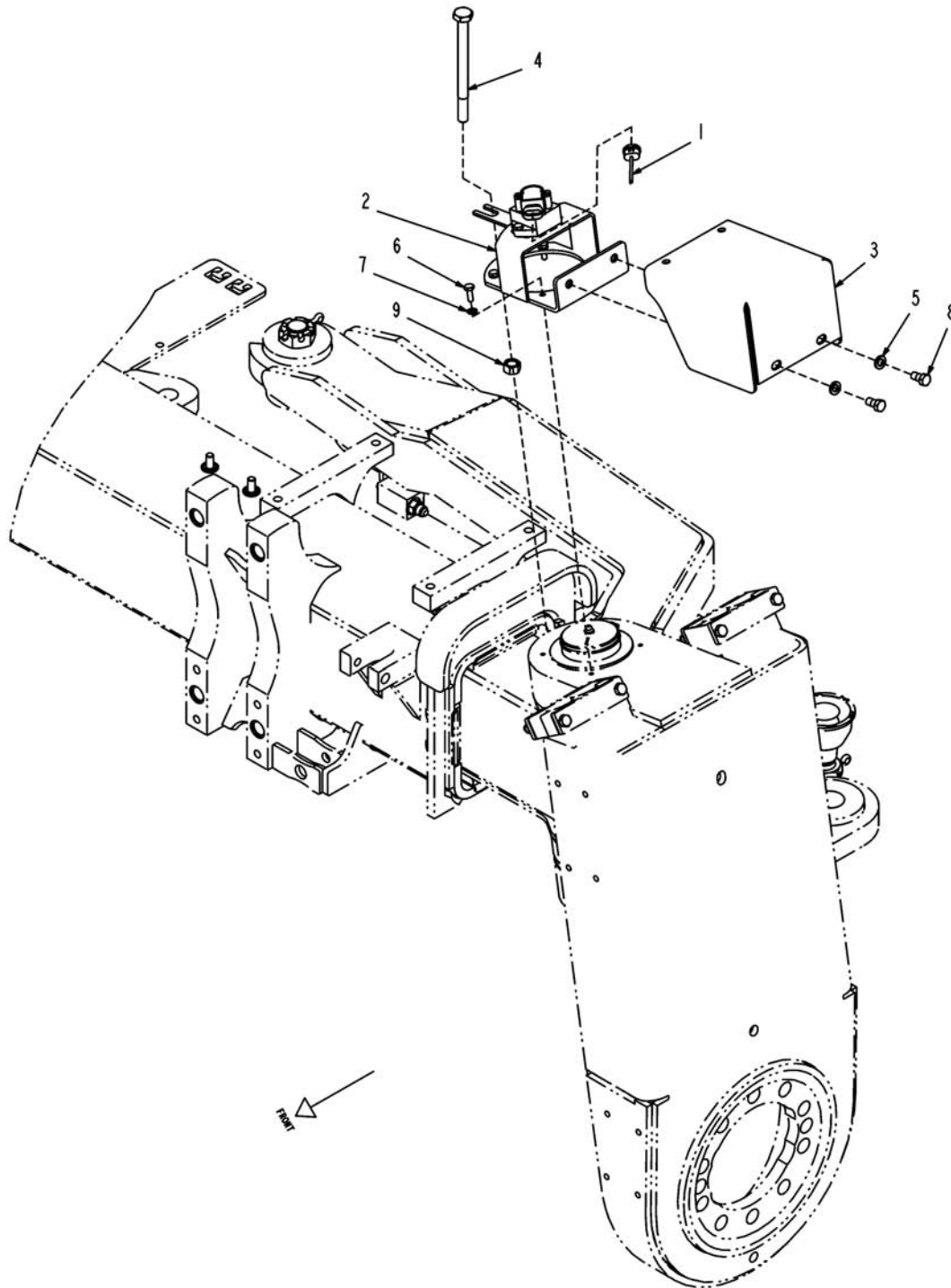
ITEM	PART #	QTY	DESCRIPTION	COMMENTS
1	AG122059	1	HANDLE,ELECTRICAL BOX	
2	AG125897	4	WASHER-LOCK,M8	
3	AG125898	4	WASHER-FLAT,M8,HARD,ZINC	
4	AG133274	4	SCREW-THUMB,.31-18NCX.75 ZY	
5	AG133992	1	VIU KIT	SEE PAGE 13-15
6	AG134180	1	VALVE BANK-HYD,AUTOGUIDE,RG	SEE PAGE 5-37
7	AG209519	1	BOOT CYLINDER	
8	AG237750	1	WASHER-BOOT	
9	AG515122	2	WASHER LK 0.25 SS REG	
10	AG515123	2	NUT 0.25-20NC HEX SS REG	
11	AG516403	4	NUT 0.31-18NC HEX ESNA SS	
12	AG516877	-	INSULATION SELF ADH POLY.25X1 IN [BULK: 0.001 FT]	[A]
13	AG522244	4	WASHER-FL,M5,SS,REG	
14	AG522245	4	BOLT-M5-0.8X25,SS,HHD	
15	AG522246	4	NUT-M5-0.8,SS,H	
16	AG522247	4	WASHER-LK,M5,SS,REG	
17	AG524341	4	BOLT-M8,1.25X25MM,SS,HHD	
18	AG562045	4	NUT 0.50-13NC HEX SS REG	
19	AG562046	4	WASHER FL 0.50 SS REG	
20	AG562047	2	BOLT 0.25-20NCX 0.50 S.S. HHD	
21	AG562053	4	WASHER LK 0.50 SS REG	
22	AG562062	4	BOLT 0.50-13NCX 1.00 S.S. HHD	
23	AG562074	4	WASHER FL 0.31 SS REG	
24	AG562076	4	BOLT 0.31-18NCX 1.00 S.S. HHD	
25	502977D1	1	PLATE-DOOR	
26	502981D1	1	WLDMT-CABINET,AUTOGUIDE	
27	503062D1	1	BRACKET-MOUNTING,AUTOGUIDE	
28	503568D1	1	PLATE-SUPPORT,AUTOGUIDE,RG	
	FOOTNOTE [A]		AG513841 LASTS LONGER	



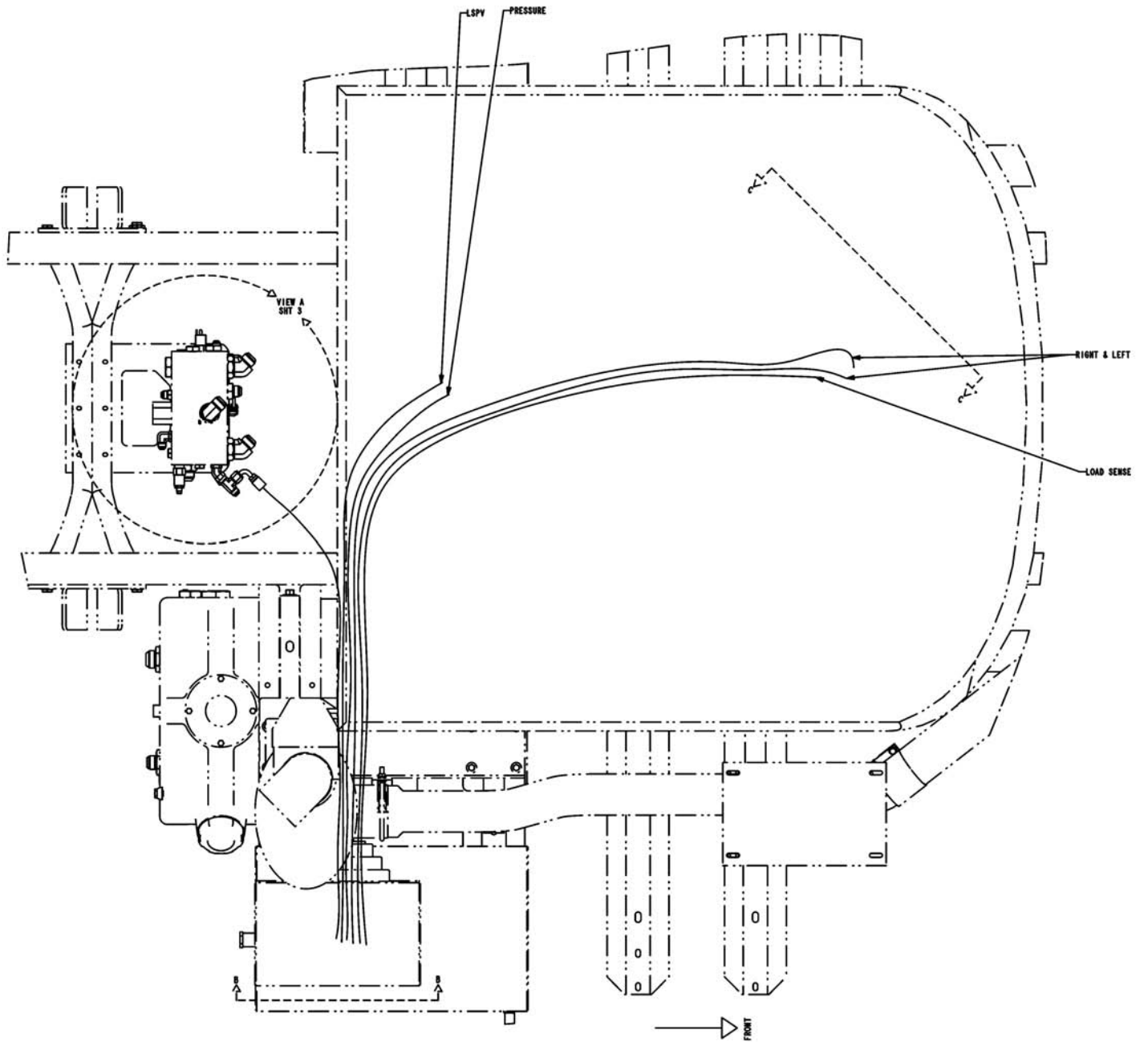
ITEM	PART #	QTY	DESCRIPTION	COMMENTS
1	AG122059	1	HANDLE,ELECTRICAL BOX	
2	AG125897	4	WASHER-LOCK,M8	
3	AG125898	4	WASHER-FLAT,M8,HARD,ZINC	
4	AG133274	4	SCREW-THUMB,.31-18NCX.75 ZY	
5	AG133992	1	VIU KIT	SEE PAGE 13-15
6	AG134180	1	VALVE BANK-HYD,AUTOGUIDE,RG	SEE PAGE 5-37
7	AG209519	1	BOOT CYLINDER	
8	AG237750	1	WASHER-BOOT	
9	AG515122	2	WASHER LK 0.25 SS REG	
10	AG515123	2	NUT 0.25-20NC HEX SS REG	
11	AG516403	4	NUT 0.31-18NC HEX ESNA SS	
12	AG516877	-	INSULATION SELF ADH POLY.25X1 IN [BULK: 0.001 FT]	[A]
13	AG522244	4	WASHER-FL,M5,SS,REG	
14	AG522245	4	BOLT-M5-0.8X25,SS,HHD	
15	AG522246	4	NUT-M5-0.8,SS,H	
16	AG522247	4	WASHER-LK,M5,SS,REG	
17	AG524341	4	BOLT-M8,1.25X25MM,SS,HHD	
18	AG562045	4	NUT 0.50-13NC HEX SS REG	
19	AG562046	4	WASHER FL 0.50 SS REG	
20	AG562047	2	BOLT 0.25-20NCX 0.50 S.S. HHD	
21	AG562053	4	WASHER LK 0.50 SS REG	
22	AG562062	4	BOLT 0.50-13NCX 1.00 S.S. HHD	
23	AG562074	4	WASHER FL 0.31 SS REG	
24	AG562076	4	BOLT 0.31-18NCX 1.00 S.S. HHD	
25	502977D1	1	PLATE-DOOR	
26	502981D1	1	WLDMT-CABINET,AUTOGUIDE	
27	503062D1	1	BRACKET-MOUNTING,AUTOGUIDE	
28	503568D1	1	PLATE-SUPPORT,AUTOGUIDE,RG	
	FOOTNOTE [A]		AG513841 LASTS LONGER	



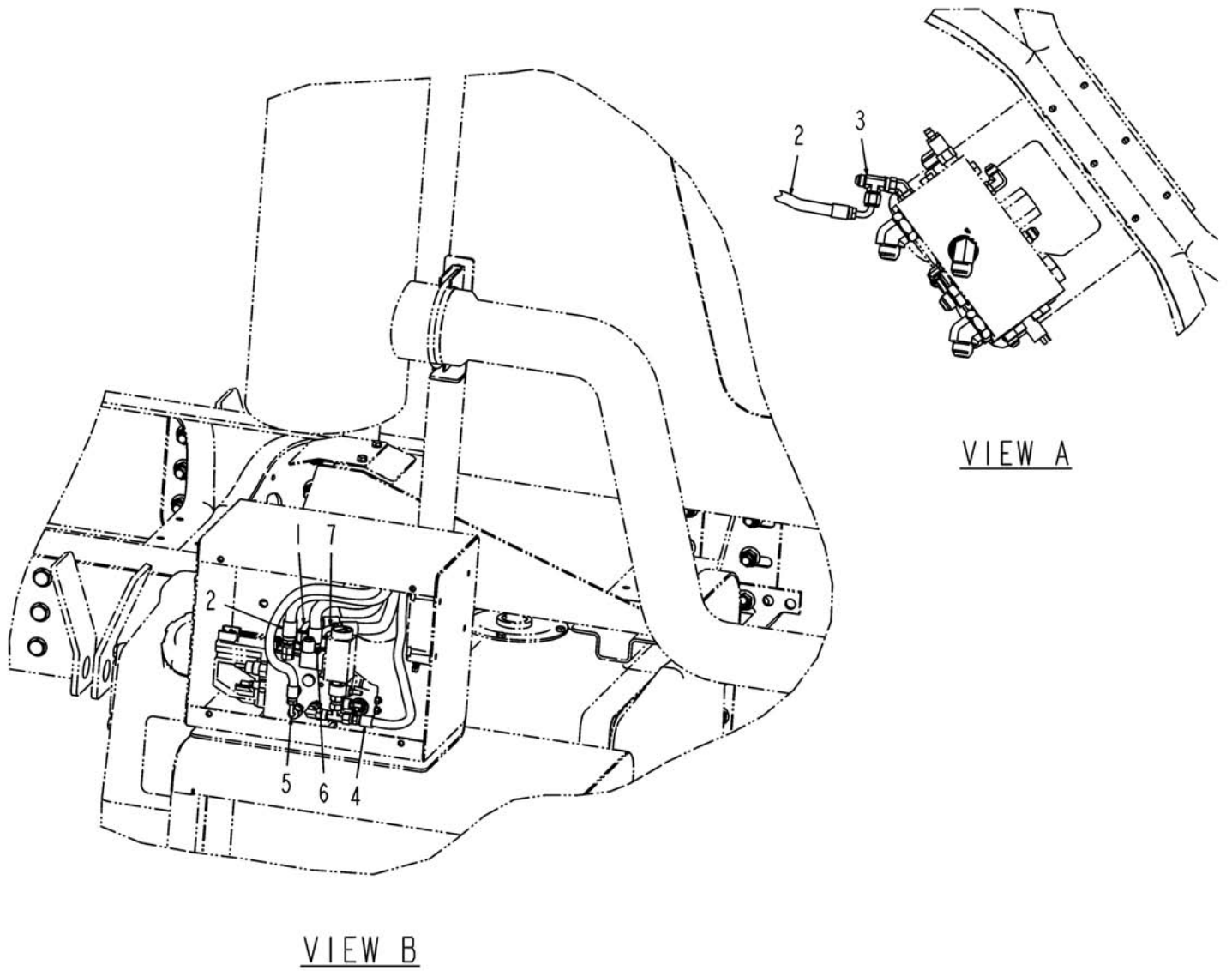
ITEM	PART #	QTY	DESCRIPTION	COMMENTS
1	AG129525	1	AUTO-GUIDE TOP DOCK	SEE PAGE 13-26
2	AG134606	2	TUBE, ROUND	
3	AG134730	1	BRACKET WLDMT-CAB, TOPDOCK	
4	AG562611	2	BOLT M12- X 60MM G8.8 HH	
5	AG562707	2	BOLT M12-1.75X 45MM G8.8 ZN HH	



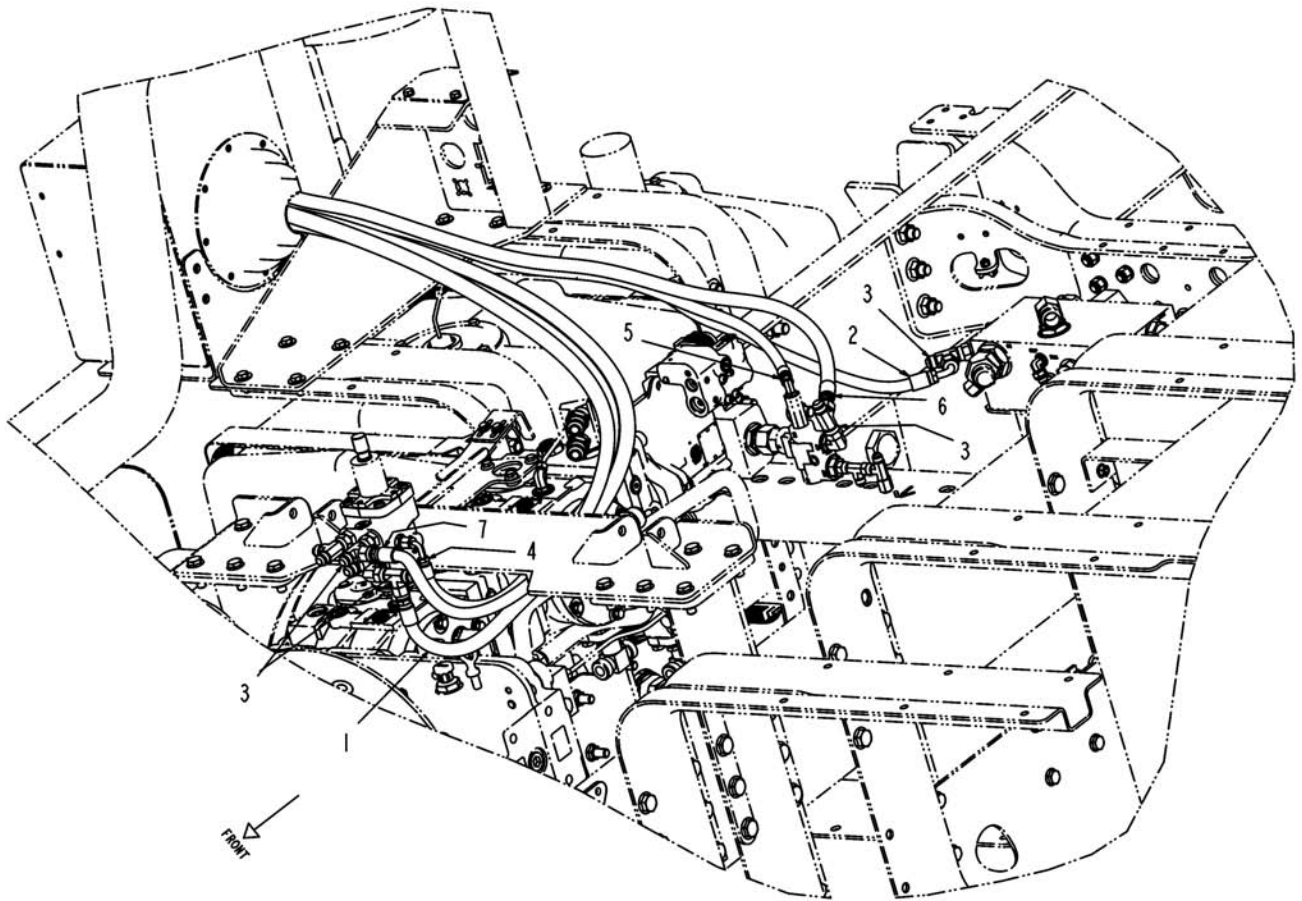
ITEM	PART #	QTY	DESCRIPTION	COMMENTS
1	AG125706	1	HARN-WHEEL ANGLE SENSOR,TG,3WL	
2	AG328021	1	SENSOR ASM-STEER	SEE PAGE 3-6
3	AG424595	1	COVER-SENSOR,STEER	
4	AG524144	1	SCR-.50-20X6.50,G8,ZN,HHD,CA	
5	AG550191	2	WASHER LK 0.37 ZN REG	
6	AG550485	4	BOLT.25-20NCX.75 G5 ZN HHD	
7	AG550493	4	WASHER LK 0.25 ZN REG	
8	AG551503	2	BOLT 0.37-16NCX 0.75 G5 ZN HHD	
9	AG561400	1	NUT 0.50-20NF HEX ZN REG	
10	AG553557	AR	TIE CABLE 7.37 .06-1.37 BLACK	



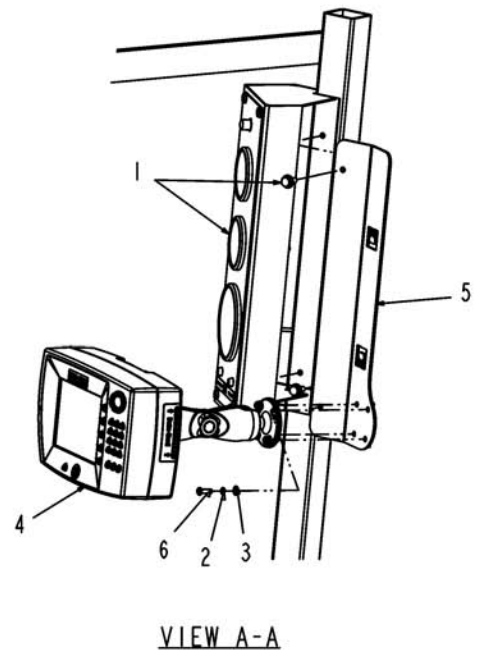
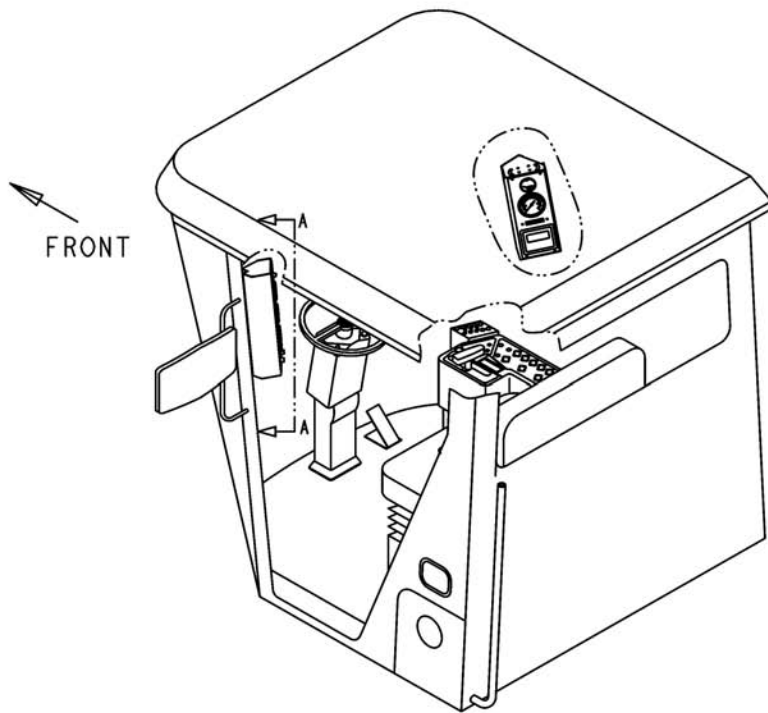
ITEM	PART #	QTY	DESCRIPTION	COMMENTS
1	504027D1	1	HOSE ASM-6X87.00 8FJS/FJS90	
2	AG134595	1	HOSE ASM-6X38.00 FJS/FJS90	
3	AG560278	4	TEE 0.50JIC SWIVELX0.50 JIC(2)	
4	504499D1	1	HOSE ASM-4X96.00 5FJS90/6FJS	
5	503613D1	1	HOSE ASM-4X72.00 FJS/6FJS90	
6	503614D1	1	HOSE ASM-6X72.00 8FJS/FJS90	
7	504498D1	1	HOSE ASM-6X98.00 8FJS/FJS90	



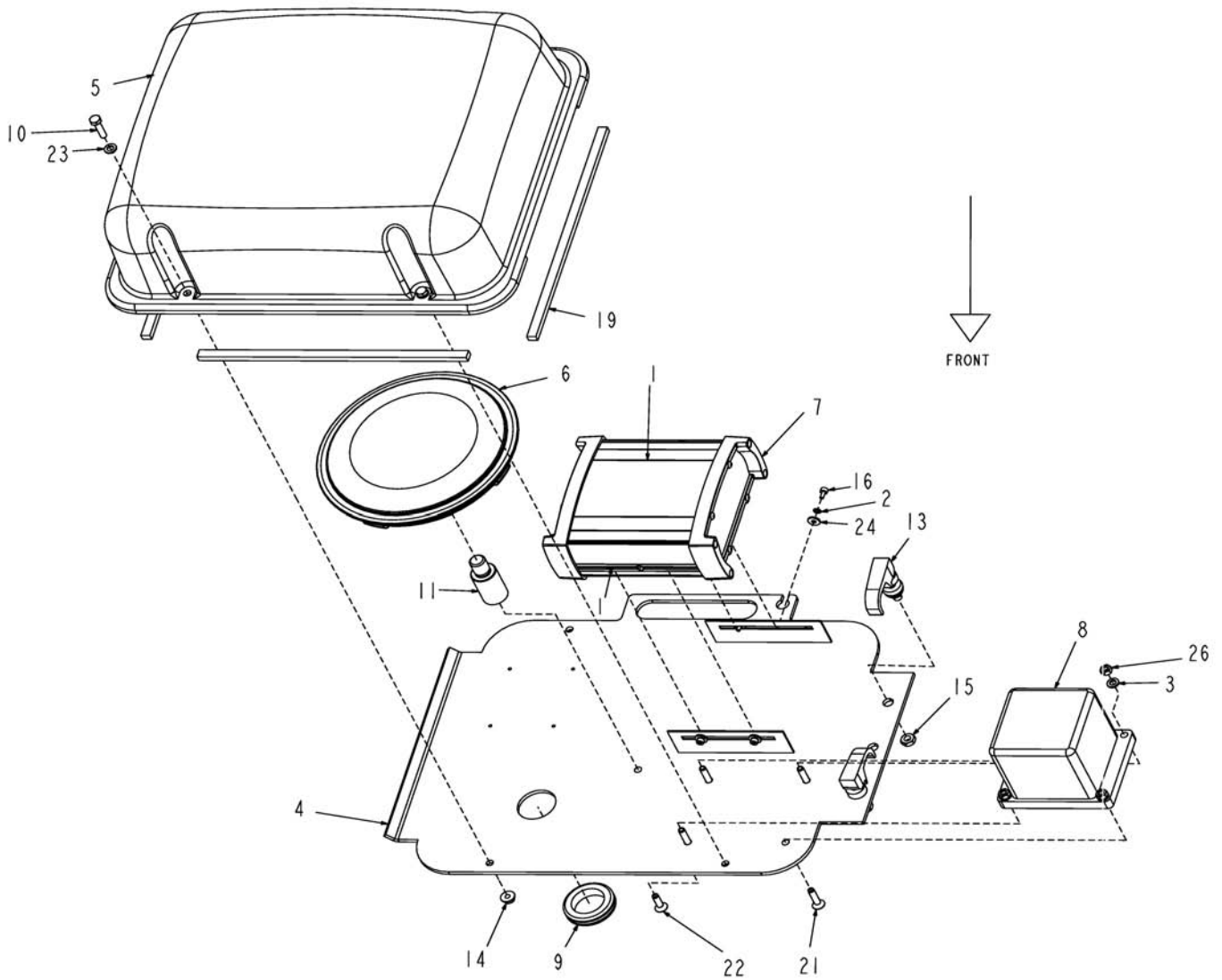
ITEM	PART #	QTY	DESCRIPTION	COMMENTS
1	504027D1	1	HOSE ASM-6X87.00 8FJS/FJS90	
2	AG134595	1	HOSE ASM-6X38.00 FJS/FJS90	
3	AG560278	4	TEE 0.50JIC SWIVELX0.50 JIC(2)	
4	504499D1	1	HOSE ASM-4X96.00 5FJS90/6FJS	
5	503613D1	1	HOSE ASM-4X72.00 FJS/6FJS90	
6	503614D1	1	HOSE ASM-6X72.00 8FJS/FJS90	
7	504498D1	1	HOSE ASM-6X98.00 8FJS/FJS90	



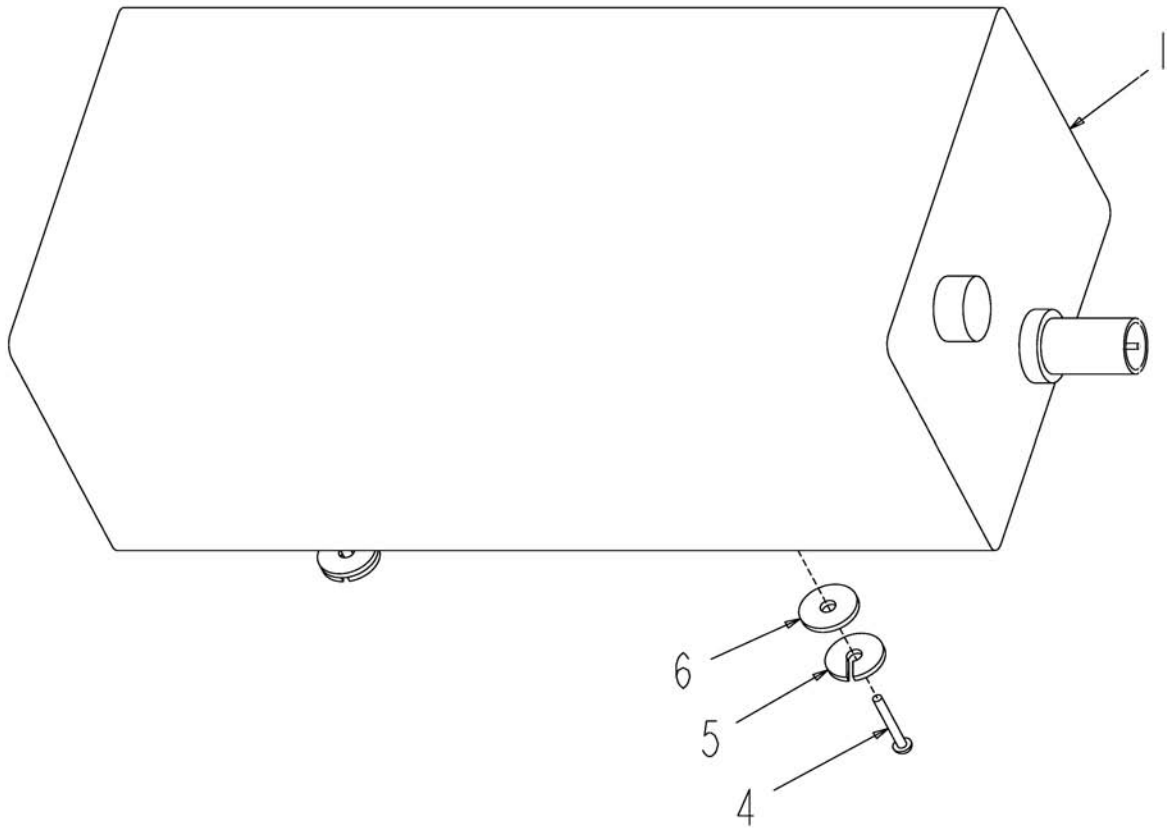
ITEM	PART #	QTY	DESCRIPTION	COMMENTS
1	504027D1	1	HOSE ASM-6X87.00 8FJS/FJS90	
2	AG134595	1	HOSE ASM-6X38.00 FJS/FJS90	
3	AG560278	4	TEE 0.50JIC SWIVELX0.50 JIC(2)	
4	504499D1	1	HOSE ASM-4X96.00 5FJS90/6FJS	
5	503613D1	1	HOSE ASM-4X72.00 FJS/6FJS90	
6	503614D1	1	HOSE ASM-6X72.00 8FJS/FJS90	
7	504498D1	1	HOSE ASM-6X98.00 8FJS/FJS90	



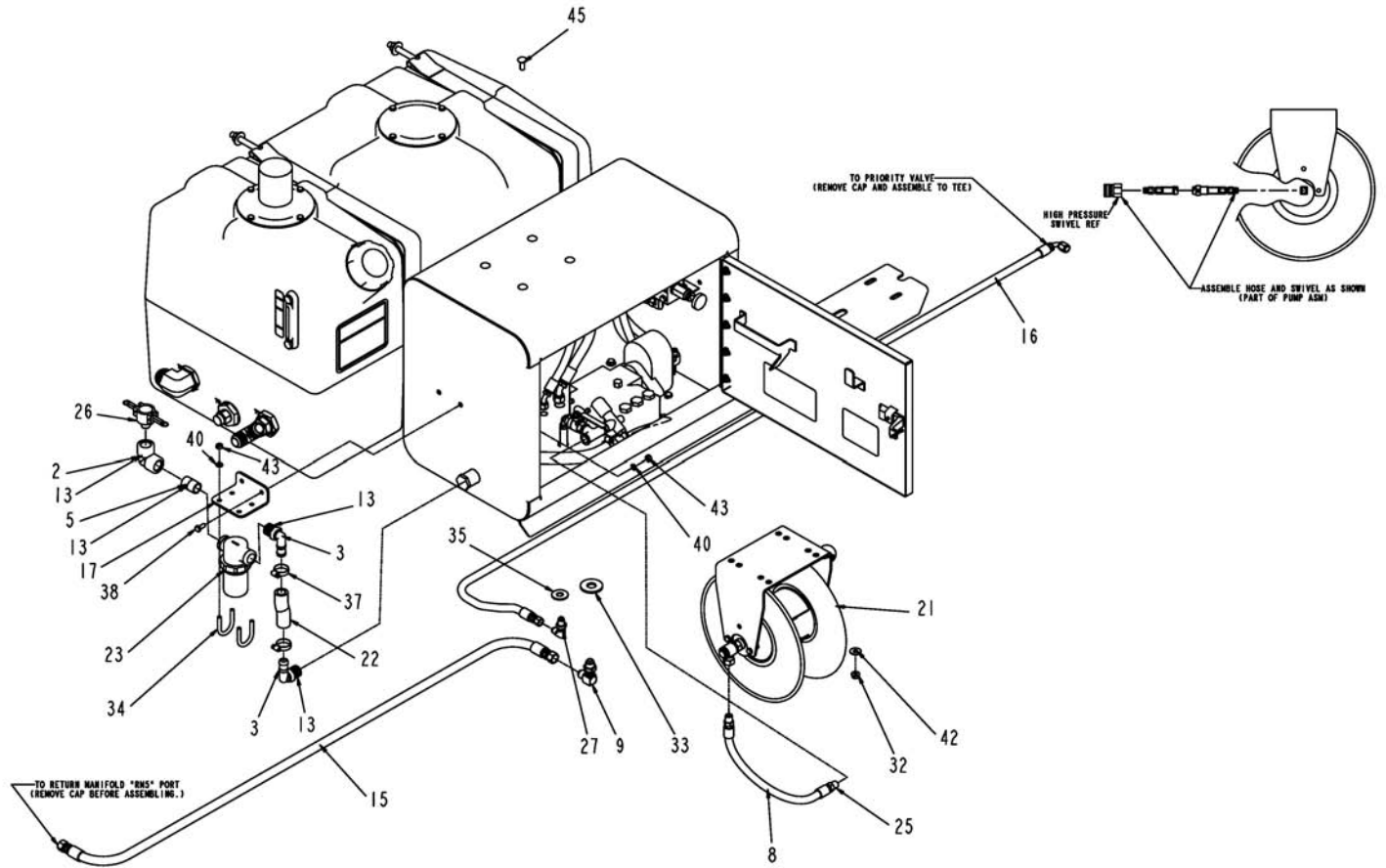
ITEM	PART #	QTY	DESCRIPTION	COMMENTS
1	AG122049	-	GAUGE PANEL INSTL-LH	SEE PAGE 7-42
2	AG125889	4	WASHER-SPRING,M5,ZINC	
3	AG125890	4	WASHER FLAT,M5X100ODX1THK,ZINC	
4	AG133891	1	TERMINAL KIT	SEE PAGE 13-14
5	AG134848	1	WLDMT-BRKT,AUTOGUIDE,RG	
6	AG523508	4	SCR-M5-0.8X16,CL10.9,BLK,BHHS	



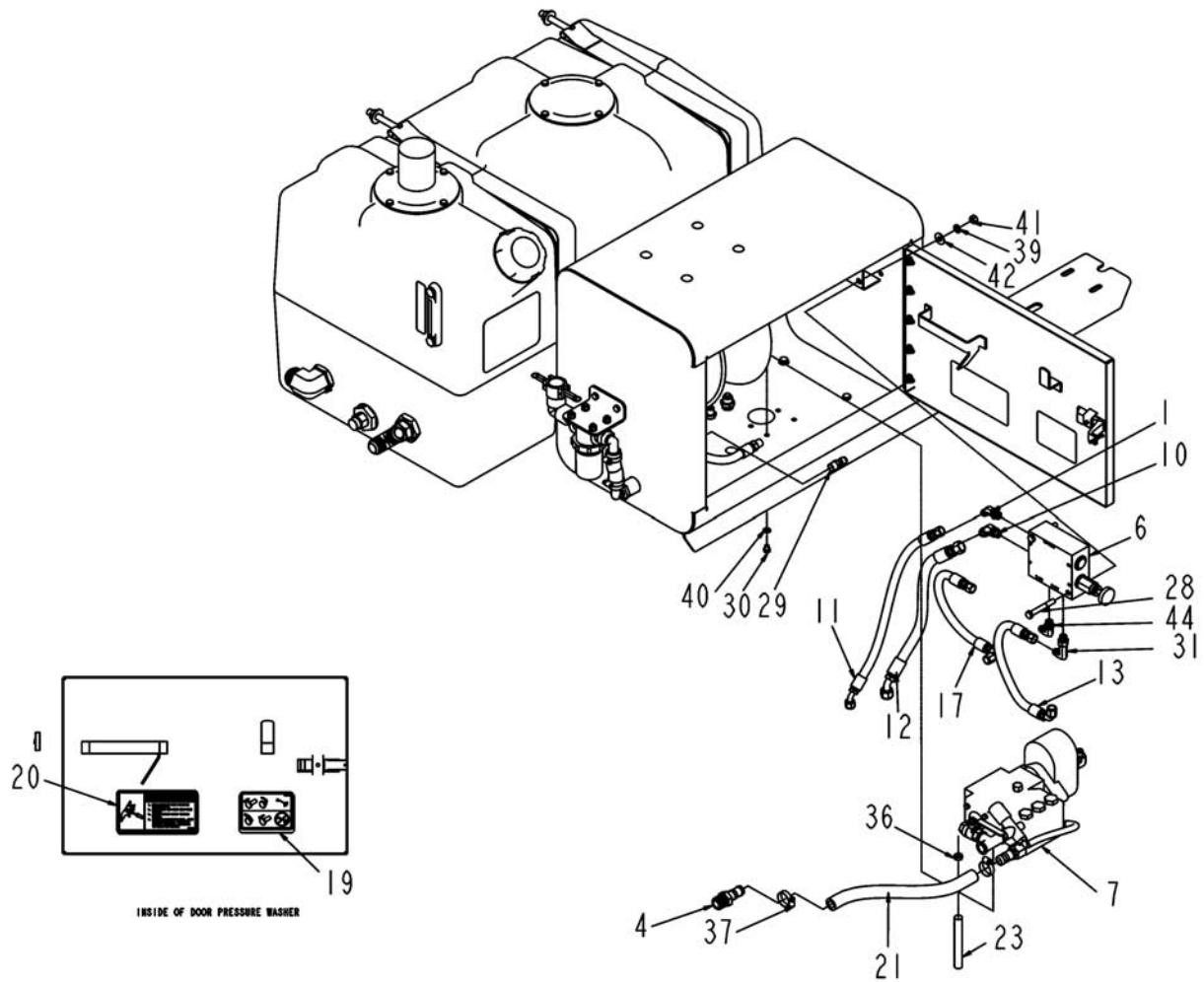
ITEM	PART #	QTY	DESCRIPTION	COMMENTS
1	WR55070	4	NUT-HEX,M4 CL10	
2	WR55102	4	WASHER-LOCK SPRING,4MM ID	
3	WR55104	4	WASHER-LOCK SPRING,6MM ID	
4	AG129526	1	BASE PLATE ASM	
5	AG129529	1	TOP-DOCK LID	
6	AG129530	1	GPS ANTENNA	
7	AG129531	1	GPS RECEIVER	
8	AG129532	1	GYROSCOPE	
9	AG129534	1	GROMMET	
10	AG129535	4	BOLT M6 X 1 X 25 FTC R/B133899	
11	AG129536	1	GPS ANTENNA MOUNT	
12	AG129537	1	HARNESS,RECEIVER TO DMU	
13	AG129539	2	LATCH-SWELL	
14	AG129540	4	NUT M6 X1.0,FL,NYLOC	
15	AG129542	2	NUT 5/16-24 HJN GR2	
16	AG129543	4	SCREW M4, 0.7 X 8	
17	AG129557	1	HARNESS-CAN CABLE TOP DOCK	
18	AG132409	1	HARNESS-GPS ANTENNA	
19	AG132436	4	SEAL-TOPDOCK LID	
20	AG132465	1	SOFTWARE-B3 CONTROLLER	
21	AG133899	5	SCREW-FLHD M6X1X25 MM	
22	AG133994	1	SCREW-FLHD M6X1X20 MM	
23	AG520879	4	WASHER-FLAT,M6,ZN,REG	
24	AG524123	4	WASHER-FL,M4,ZN,REG	
25	AG553557	AR	TIE CABLE 7.37 .06-1.37 BLACK	
26	AG562793	4	NUT HEX M6 X 1.00	



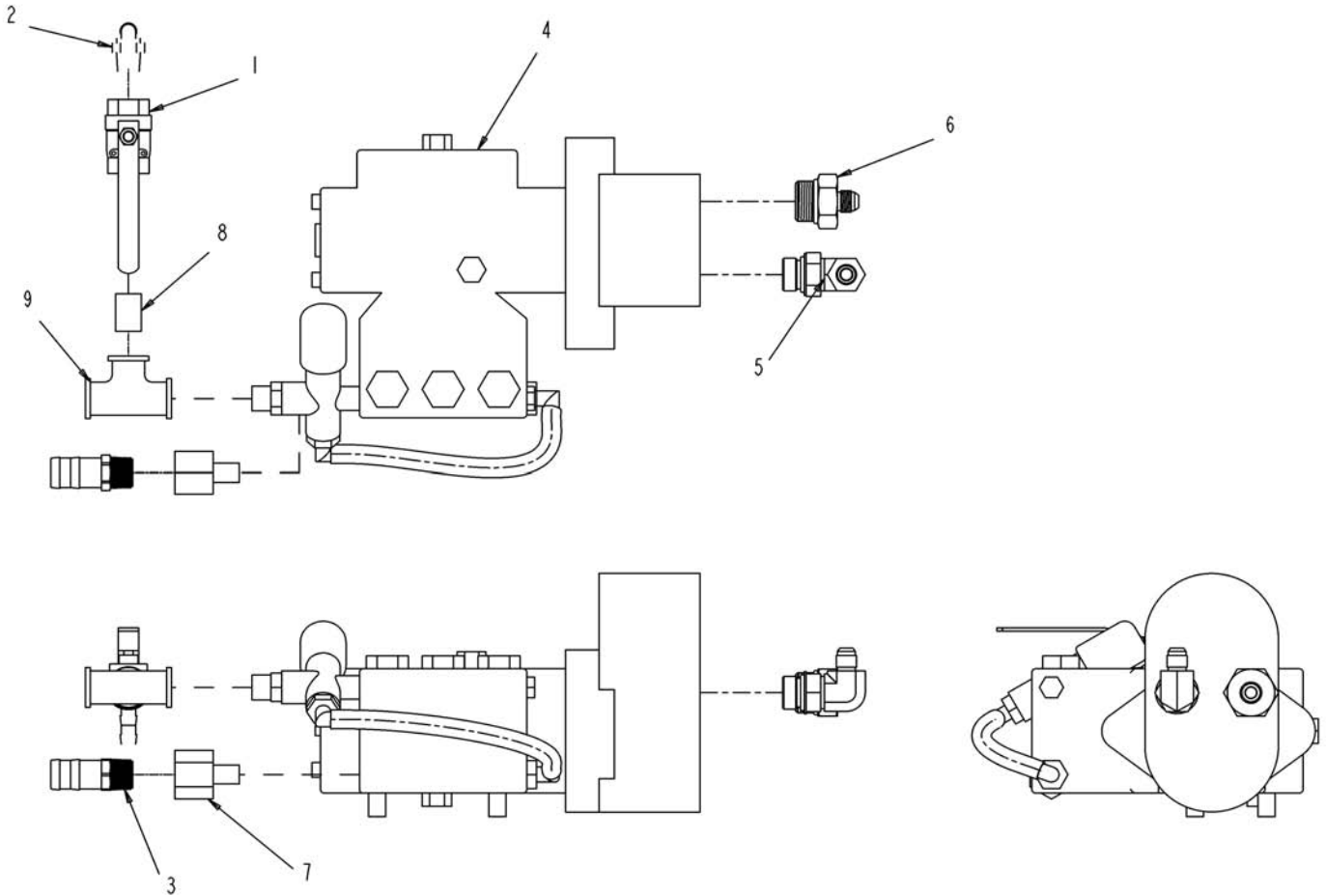
ITEM	PART #	QTY	DESCRIPTION	COMMENTS
1	AG129533	1	RADIO (FREEWAVE) RECEIVER	
2	AG129538	1	HARNES,RECEIVER TO RADIO	
3	AG132410	1	ANTENNA-FREEWAVE RADIO	
4	AG517946	4	SCREW #4-24X.50 PH PHD ZN PL	
5	AG519725	4	WASHER-LOCK,#4,REG,ZN	
6	AG519726	4	WASHER-FLAT,#4,TYPE B,REG,ZN	



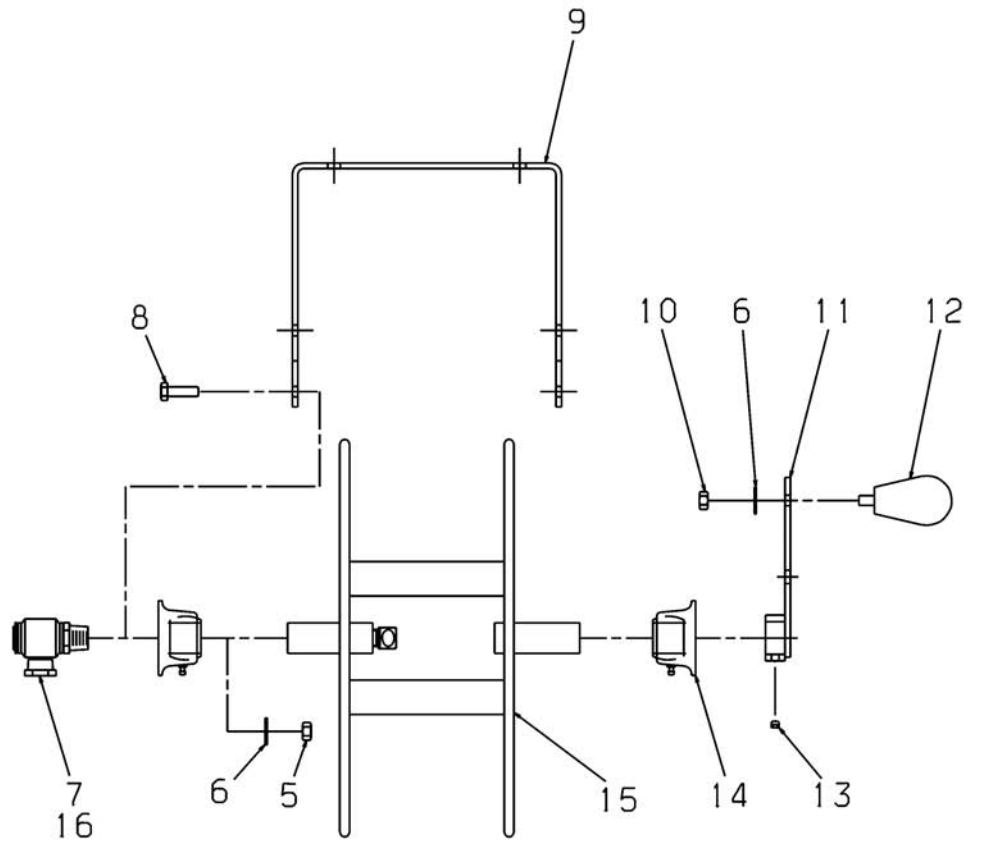
ITEM	PART #	QTY	DESCRIPTION	COMMENTS
1	AG021600	1	ELBOW 45D 0.37MO-RX0.37MJIC(D)	
2	AG051126	1	ELBOW-PIPE,0.75FNPT,90D,PP	
3	AG051142	3	ELBOW 90D 0.75NPTX0.75 BARB PP	
4	AG051179	1	BARB-HOSE,0.75MNPTX0.75BARB,PP	
5	AG051903	1	CLOSE NIPPLE 0.75 SS	
6	AG120948	1	BLOCK-HYD,PW CONTROL	
7	AG122079	1	PUMP & MOTOR ASM-WASHER,PRESS	SEE PAGE 14-2
8	AG122081	1	HOSE ASM -6 X 16.00 R1AT MP/MP	
9	AG123579	1	ELBOW 90D O.50JIC X0.50JIC BHD	
10	AG128112	1	ELBOW-8MJIC 45 X -6MB	
11	AG128113	1	HOSE ASM-6X19.00 FJS/FJS45	
12	AG128114	1	HOSE ASM-8X17.00 FJS45/FJS	
13	AG129187	AR	PIPE SEALANT-POLY SEAL	
14	AG214518	1	HOSE ASM -6 20.00 R1AT	
15	AG220027	1	HOSE ASM -8 60.00 R1AT	
16	AG235269	1	HOSE ASM -6 69.00 FJS/FJS90	
17	AG236870	1	SUPPORT-FILTER	
18	AG237443	1	HOSE ASM -6X16.50 FJS/FJS90	
19	AG238749	1	DECAL-PW CONTROL,SYM	
20	AG238760	1	DECAL-WARNING,HP WASHER	
21	AG502076	1	REEL ASM-PRESSURE WASHER	SEE PAGE 14-3
22	AG513385	-	HOSE,MED.PRESS 0.75 2BRD EPDM [BULK: 1.459 FT]	
23	AG513640	1	STRAINER IN-LINE 3/4 NPT NY	
24	AG513689	-	HOSE 0.37 2BRD EPDM [BULK: 0.417 FT]	
25	AG513916	AR	LOCTITE HYD SEALANT BROWN	
26	AG514534	1	COUPLER ASM .75CAM FEX.75M NPT	[A]
27	AG514803	1	ELBOW 90D 0.37JICX0.37JIC BHD	
28	AG515141	2	BOLT 0.37-16NCX 2.75 S.S. HHD	
29	AG516790	1	NIPPLE 0.38 S. S.	[B]
30	AG518071	4	BOLT M8-1.25X14MM A-2#304SSHHD	
31	AG519766	1	ELBOW 90D .37MO-R LONGX.37MJIC	
32	AG522562	4	NUT-.38-16,SS,SFLG,H	
33	AG550116	1	WASHER 0.75 FL ZN REG TYPE-B	
34	AG551864	2	BOLT-U .31-18X1.38X 2.19RD ZN	
35	AG560219	1	WASHER 0.56 FL ZN REG TYPE-B	
36	AG561025	1	CLAMP HOSE .218 TO .625 U5S	
37	AG561229	4	CLAMP 0.68-1.25 HOSE 12HS	
38	AG562049	2	BOLT 0.31-18NCX 0.75 S.S. HHD	
39	AG562050	2	WASHER LK 0.37 SS REG	
40	AG562051	10	WASHER LK 0.31 SS REG	
41	AG562065	2	NUT 0.37-16NC HEX SS REG	
42	AG562073	6	WASHER FL 0.37 SS REG	
43	AG562090	6	NUT 0.31-18NC HEX SS REG	
44	AG562401	1	ELBOW -6MB90X-6MJ	
45	AG609084	4	BOLT 0.37-16NCX 1.00 CRG SS409	
	FOOTNOTE [A]		COUPLER- AG514435	
	FOOTNOTE [B]		THIS PART IS MALE COUPLER ON ONE END X MALE NPT	



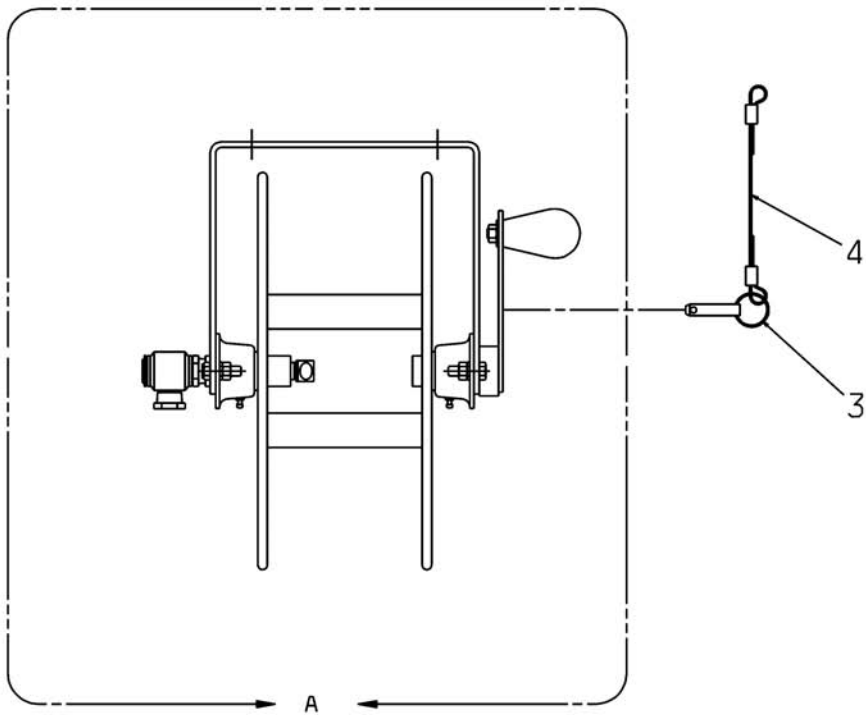
ITEM	PART #	QTY	DESCRIPTION	COMMENTS
1	AG021600	1	ELBOW 45D 0.37MO-RX0.37MJIC(D)	
2	AG051126	1	ELBOW-PIPE,0.75FNPT,90D,PP	
3	AG051142	3	ELBOW 90D 0.75NPTX0.75 BARB PP	
4	AG051179	1	BARB-HOSE,0.75MNPTX0.75BARB,PP	
5	AG051903	1	CLOSE NIPPLE 0.75 SS	
6	AG120948	1	BLOCK-HYD,PW CONTROL	
7	AG122079	1	PUMP & MOTOR ASM-WASHER,PRESS	SEE PAGE 14-2
8	AG122081	1	HOSE ASM -6 X 16.00 R1AT MP/MP	
9	AG123579	1	ELBOW 90D O.50JIC X0.50JIC BHD	
10	AG128112	1	ELBOW-8MJIC 45 X -6MB	
11	AG128113	1	HOSE ASM-6X19.00 FJS/FJS45	
12	AG128114	1	HOSE ASM-8X17.00 FJS45/FJS	
13	AG129187	AR	PIPE SEALANT-POLY SEAL	
14	AG214518	1	HOSE ASM -6 20.00 R1AT	
15	AG220027	1	HOSE ASM -8 60.00 R1AT	
16	AG235269	1	HOSE ASM -6 69.00 FJS/FJS90	
17	AG236870	1	SUPPORT-FILTER	
18	AG237443	1	HOSE ASM -6X16.50 FJS/FJS90	
19	AG238749	1	DECAL-PW CONTROL,SYM	
20	AG238760	1	DECAL-WARNING,HP WASHER	
21	AG502076	1	REEL ASM-PRESSURE WASHER	SEE PAGE 14-3
22	AG513385	-	HOSE,MED.PRESS 0.75 2BRD EPDM [BULK: 1.459 FT]	
23	AG513640	1	STRAINER IN-LINE 3/4 NPT NY	
24	AG513689	-	HOSE 0.37 2BRD EPDM [BULK: 0.417 FT]	
25	AG513916	AR	LOCTITE HYD SEALANT BROWN	
26	AG514534	1	COUPLER ASM .75CAM FEX.75M NPT	[A]
27	AG514803	1	ELBOW 90D 0.37JICX0.37JIC BHD	
28	AG515141	2	BOLT 0.37-16NCX 2.75 S.S. HHD	
29	AG516790	1	NIPPLE 0.38 S. S.	[B]
30	AG518071	4	BOLT M8-1.25X14MM A-2#304SSHHD	
31	AG519766	1	ELBOW 90D .37MO-R LONGX.37MJIC	
32	AG522562	4	NUT-.38-16,SS,SFLG,H	
33	AG550116	1	WASHER 0.75 FL ZN REG TYPE-B	
34	AG551864	2	BOLT-U .31-18X1.38X 2.19RD ZN	
35	AG560219	1	WASHER 0.56 FL ZN REG TYPE-B	
36	AG561025	1	CLAMP HOSE .218 TO .625 U5S	
37	AG561229	4	CLAMP 0.68-1.25 HOSE 12HS	
38	AG562049	2	BOLT 0.31-18NCX 0.75 S.S. HHD	
39	AG562050	2	WASHER LK 0.37 SS REG	
40	AG562051	10	WASHER LK 0.31 SS REG	
41	AG562065	2	NUT 0.37-16NC HEX SS REG	
42	AG562073	6	WASHER FL 0.37 SS REG	
43	AG562090	6	NUT 0.31-18NC HEX SS REG	
44	AG562401	1	ELBOW -6MB90X-6MJ	
45	AG609084	4	BOLT 0.37-16NCX 1.00 CRG SS409	
	FOOTNOTE [A]		COUPLER- AG514435	
	FOOTNOTE [B]		THIS PART IS MALE COUPLER ON ONE END X MALE NPT	



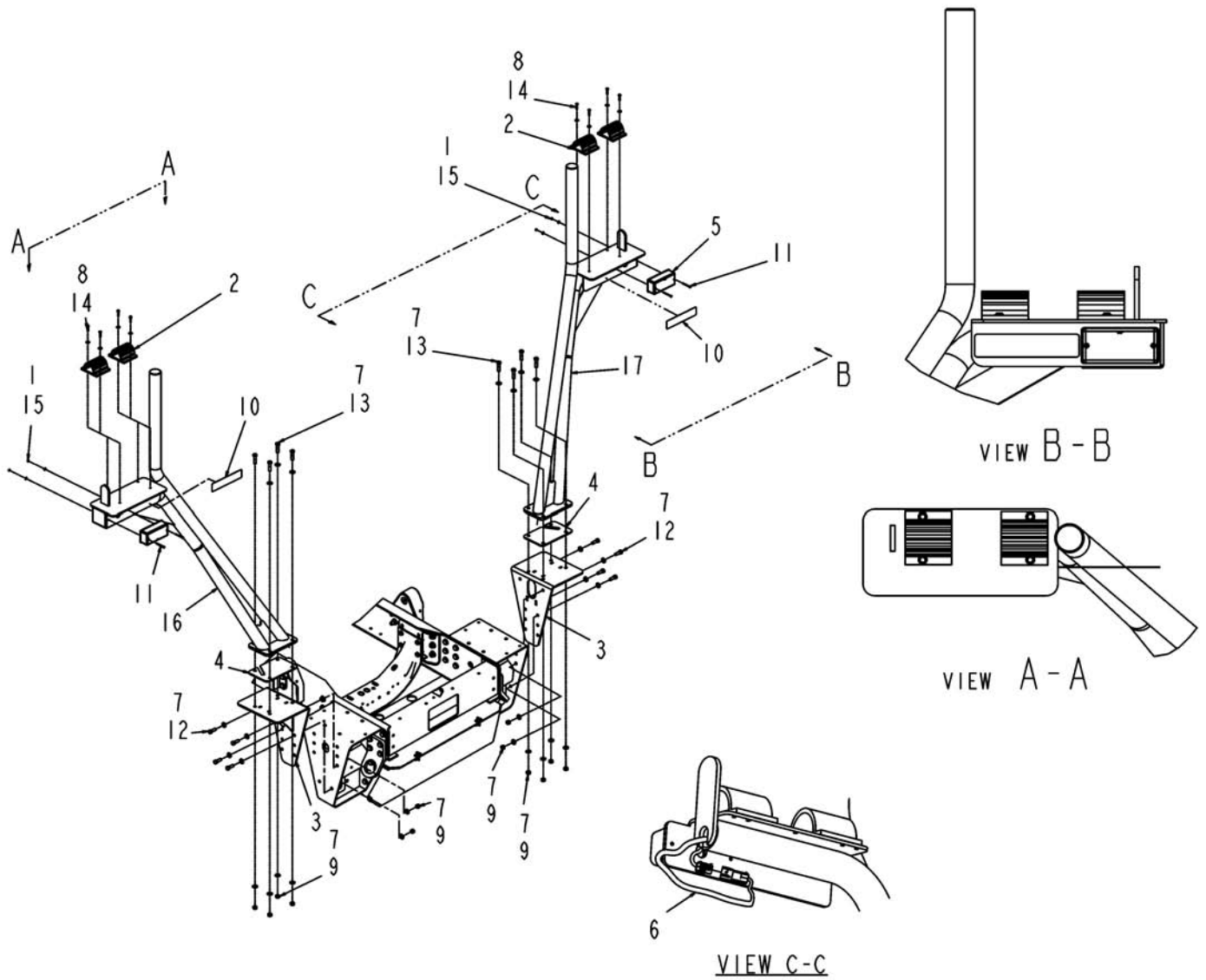
ITEM	PART #	QTY	DESCRIPTION	COMMENTS
1	AG007785	1	VALVE STAINLESS STEEL 0.375	
2	AG051137	1	ELBOW 90D 0.38NPTX0.38BARB PP	
3	AG051177	1	BARB-HOSE,0.50MNPTX0.75BARB,PP	
4	AG423766	1	PUMP & MOTOR-WASHER,PRESSURE	[A]
5	AG517522	1	ELBOW-90D,-10MORX-6 MJIC	[B]
6	AG519718	1	ADAP STR -12MBX-6MJ	
7	AG523771	1	ADPTR STR -8FP X -6MP SS	
8	AG555290	1	NIPPLE 0.37NPTX 1.00CLS WR ST	
9	AG556580	1	TEE 0.37NPT PIPE MAL IR PL	
	FOOTNOTE [A]		AG610649 - WASHER PUMP ONLY, AG610652 - WAND ONLY, AG610655 - HOSE	
	FOOTNOTE [A]		AG610650 - UNLOADER VALVE, AG610656 - HYD. MOTOR, AG610651 - SPRAY GUN	
	FOOTNOTE [A]		AG610654 - NOZZLE, AG610657 - MALE QC, AG610658 - FEMALE QC	
	FOOTNOTE [B]		AG713153 O-RING	



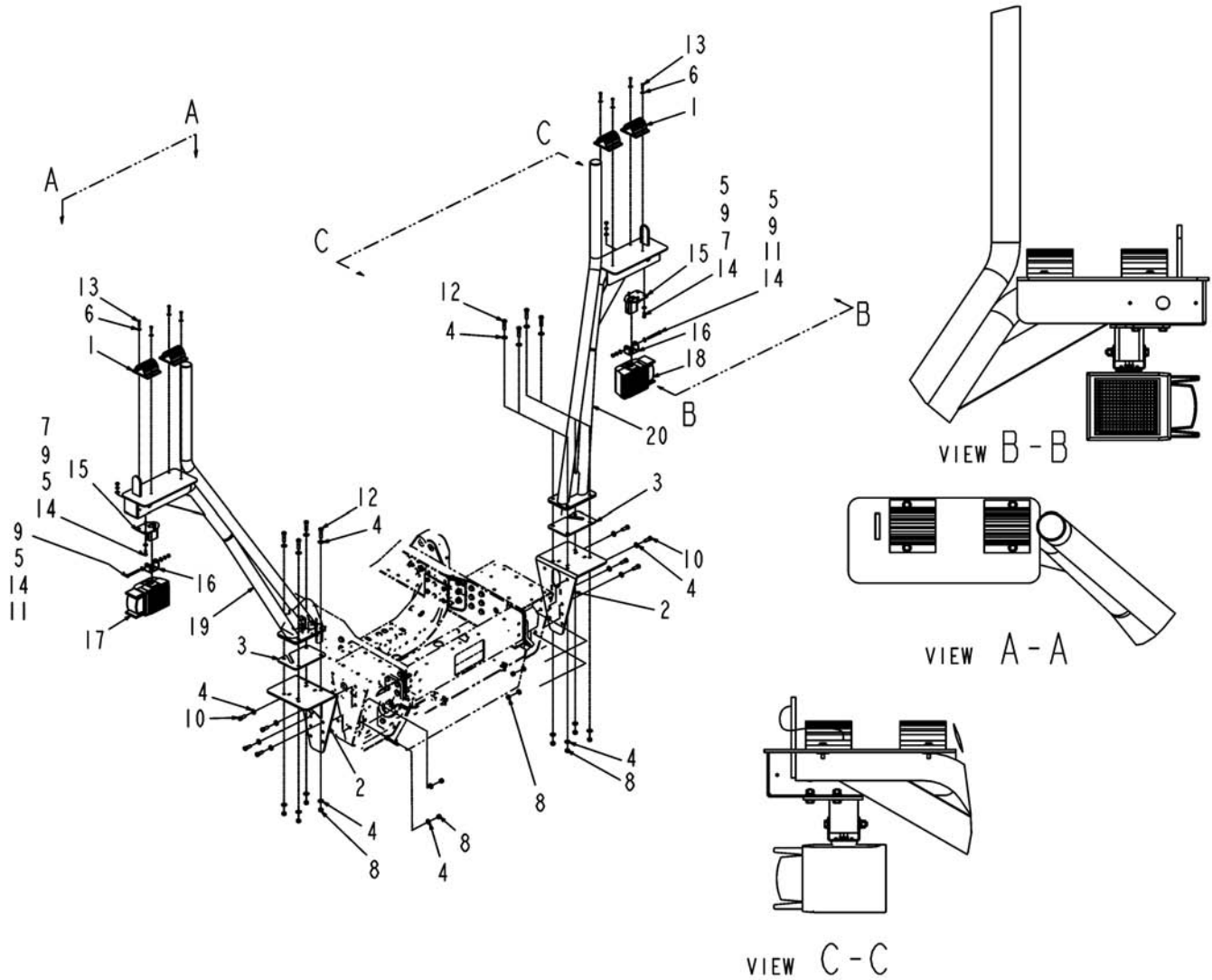
DETAIL A



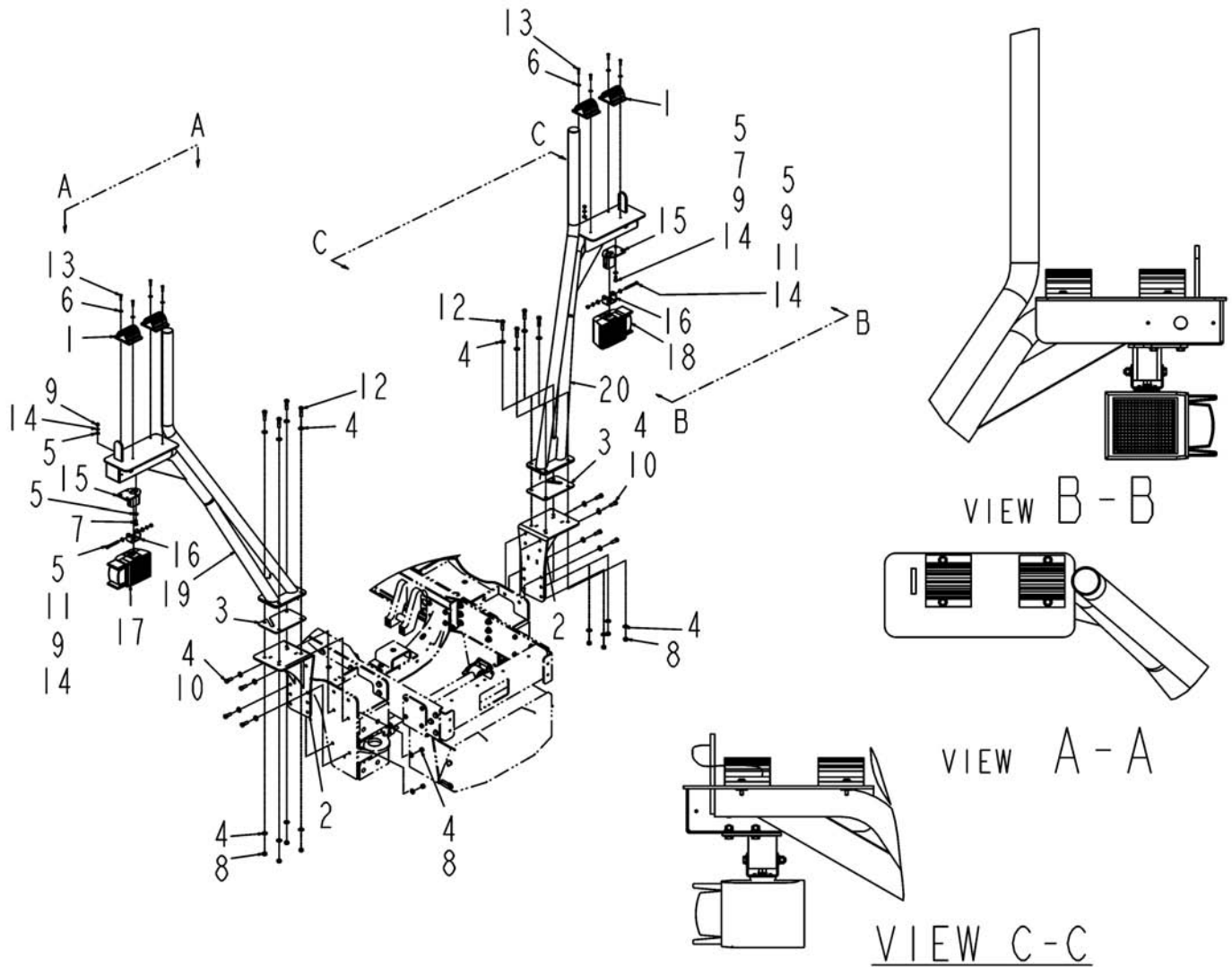
ITEM	PART #	QTY	DESCRIPTION	COMMENTS
3	AG515980	1	QUICK RELEASE PIN 0.38 DIA	
4	AG217181	1	CABLE ASM	SEE PAGE 7-55
5	AG562090	4	NUT 0.31-18NC HEX SS REG	
6	AG562074	5	WASHER FL 0.31 SS REG	
7	AG520937	1	ADPTR-SWVL90D,.38FPTX.38MPT MV	
8	AG562076	4	BOLT 0.31-18NCX 1.00 S.S. HHD	
9	AG421061	1	BRACKET-HOSE REEL MTG	
10	AG557668	1	NUT 0.31-18NC HEX ZN C-LK	
11	AG236879	1	HANDLE WLDMT-HOSE REEL	
12	AG520933	1	KNOB-PHENOLIC .31-18X.50 STUD	
13	AG560707	1	SCREW .25-20X 0.37 SET PL CPSH	
14	AG520934	2	BEARING-FLANGE,1.00 (518030)	
15	AG323492	1	REEL WLDMT-PRESSURE WASHER	
16	AG513916	AR	LOCTITE HYD SEALANT BROWN	



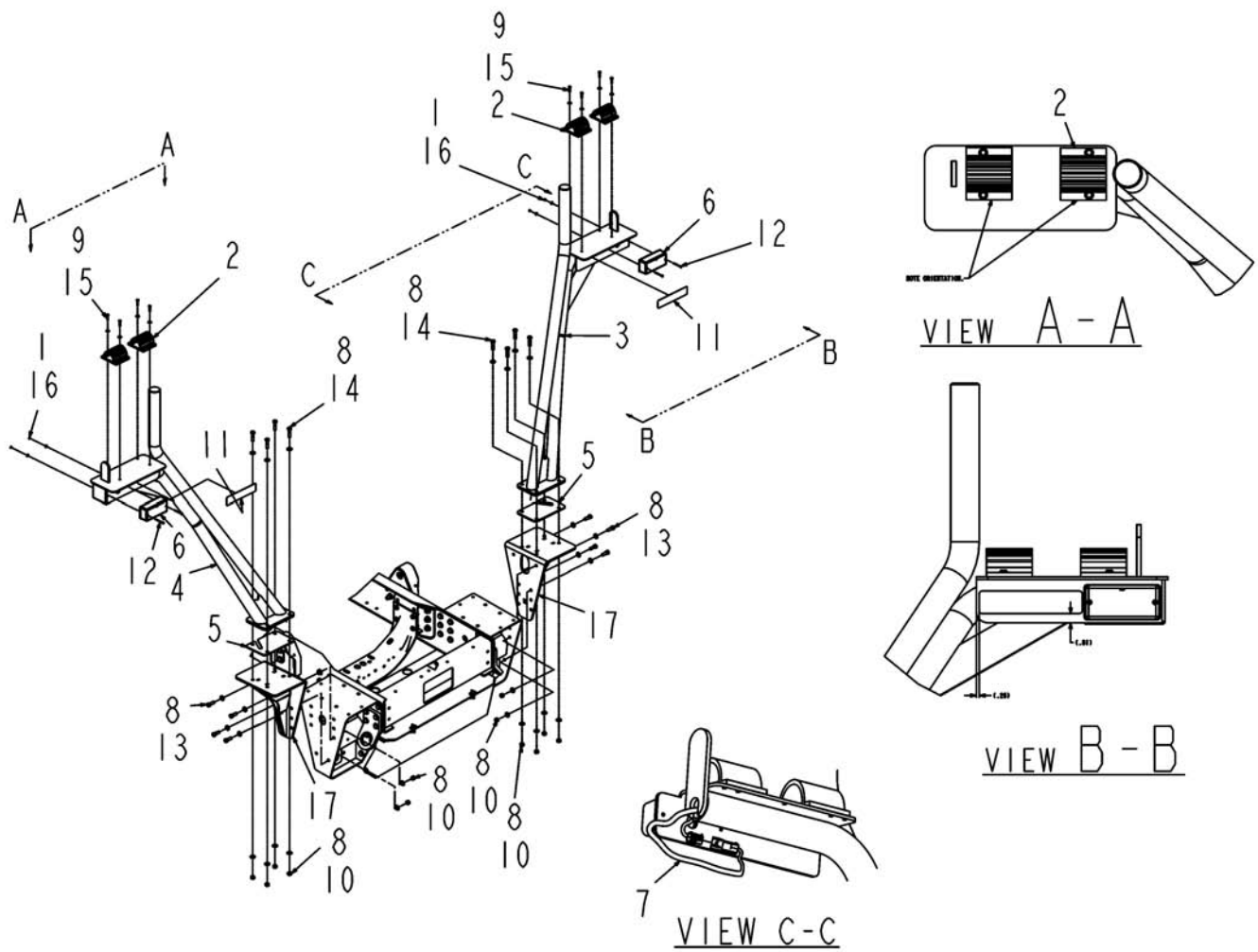
ITEM	PART #	QTY	DESCRIPTION	COMMENTS
1	AG027274	4	NUT 10-24NCSS LGT HX NY INS(P)	
2	AG109953	4	BUMPER-BOOM RACK	
3	AG123188	2	BRKT WLDMT-BOOMREST MTG,8/1064	
4	AG262556	2	PLATE-SPACER,BOOMREST	
5	AG327247	2	LAMP-WARNING,AMBER	SEE PAGE 9-1
6	AG424327	2	HARNES-BOOM REST	
7	AG514554	32	WASHER-FL,.50,ZN,G8,REG	
8	AG515121	8	WASHER 0.25 FL SS REG	
9	AG520614	16	NUT-.50-13,G8,ZN,HH,C-LK	
10	AG523590	2	REFLECTOR-YELLOW,2.0X9.0	
11	AG523814	4	SCR-10-24X2.25,PPH,SS	
12	AG559237	8	BOLT 0.50-13NCX 1.50 G8 ZN HHD	
13	AG561665	8	BOLT 0.50-13NCX 2.00 G8 ZN HHD	
14	AG561952	8	BOLT 0.25-20NCX 1.25 S.S. HHD	
15	AG562082	4	WASHER #10 FL SS SAE	
16	506465D1	1	BOOMREST WLDMT-RH	
17	506466D1	1	BOOMREST WLDMT-LH	



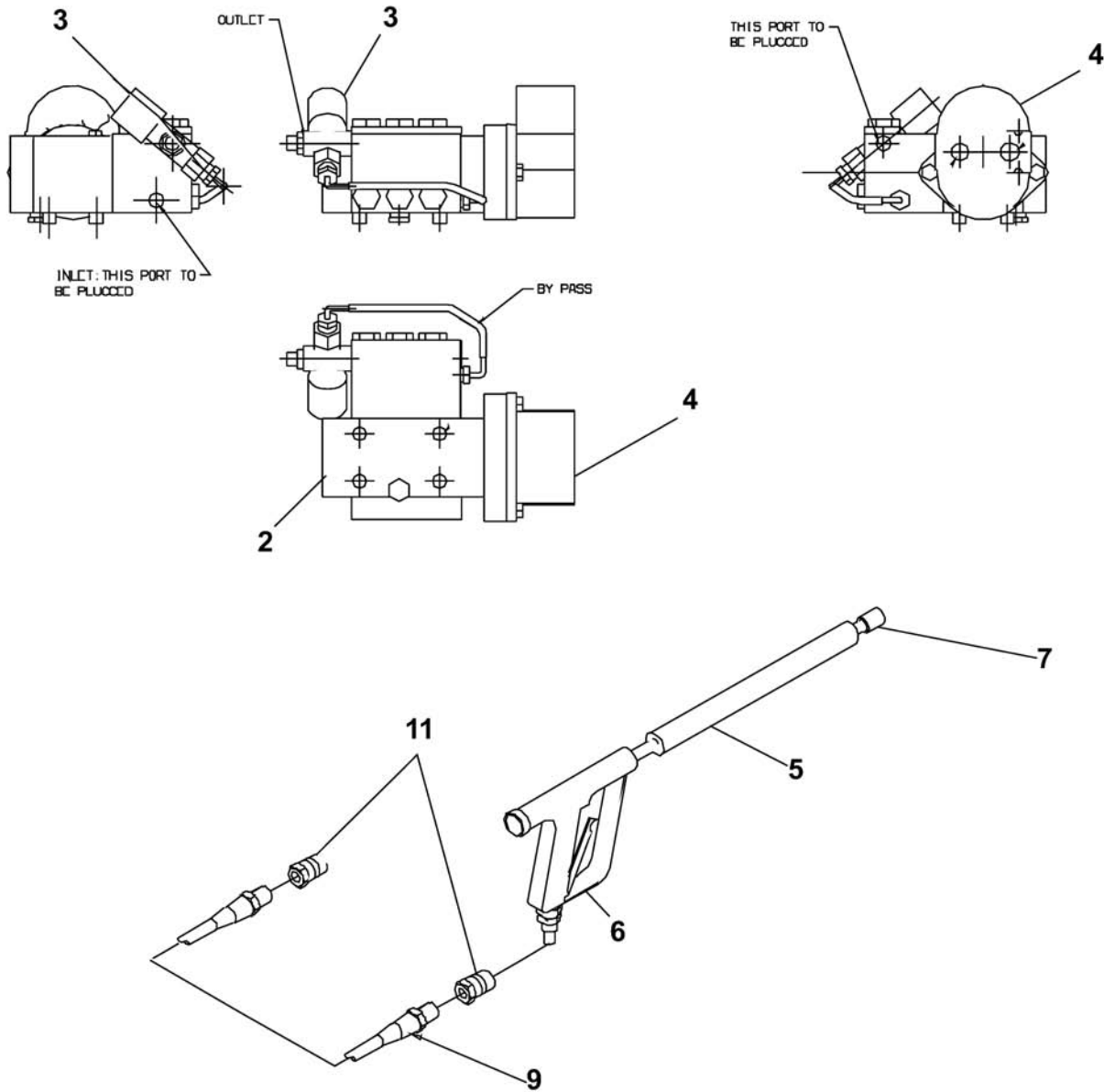
ITEM	PART #	QTY	DESCRIPTION	COMMENTS
1	AG109953	4	BUMPER-BOOM RACK	
2	AG123188	2	BRKT WLDMT-BOOMREST MTG,8/1064	
3	AG262556	2	PLATE-SPACER,BOOMREST	
4	AG514554	32	WASHER-FL,.50,ZN,G8,REG	
5	AG514559	16	WASHER 0.37 FL ZN SAE G8	
6	AG515121	8	WASHER 0.25 FL SS REG	
7	AG518500	6	BOLT,HHD,ZN .38-16X1.00 GR 8	
8	AG520614	16	NUT-.50-13,G8,ZN,HH,C-LK	
9	AG523259	8	NUT-.37-16,G8,ZN,H	
10	AG559237	8	BOLT 0.50-13NCX 1.50 G8 ZN HHD	
11	AG560456	2	BOLT 0.37-16NCX 3.50 G8 ZN HHD	
12	AG561665	8	BOLT 0.50-13NCX 2.00 G8 ZN HHD	
13	AG561952	8	BOLT 0.25-20NCX 1.25 S.S. HHD	
14	AG562050	8	WASHER LK 0.37 SS REG	
15	505366D1	2	WLDMT-TUV,LIGHT,MTG	
16	505369D1	2	PLATE-LIGHT,ATTACH	
17	505698D1	1	ASM-HEADLIGHT,ELEC,LH	
18	505699D1	1	ASM-HEADLIGHT,ELEC,RH	
19	506465D1	1	BOOMREST WLDMT-RH	
20	506466D1	1	BOOMREST WLDMT-LH	



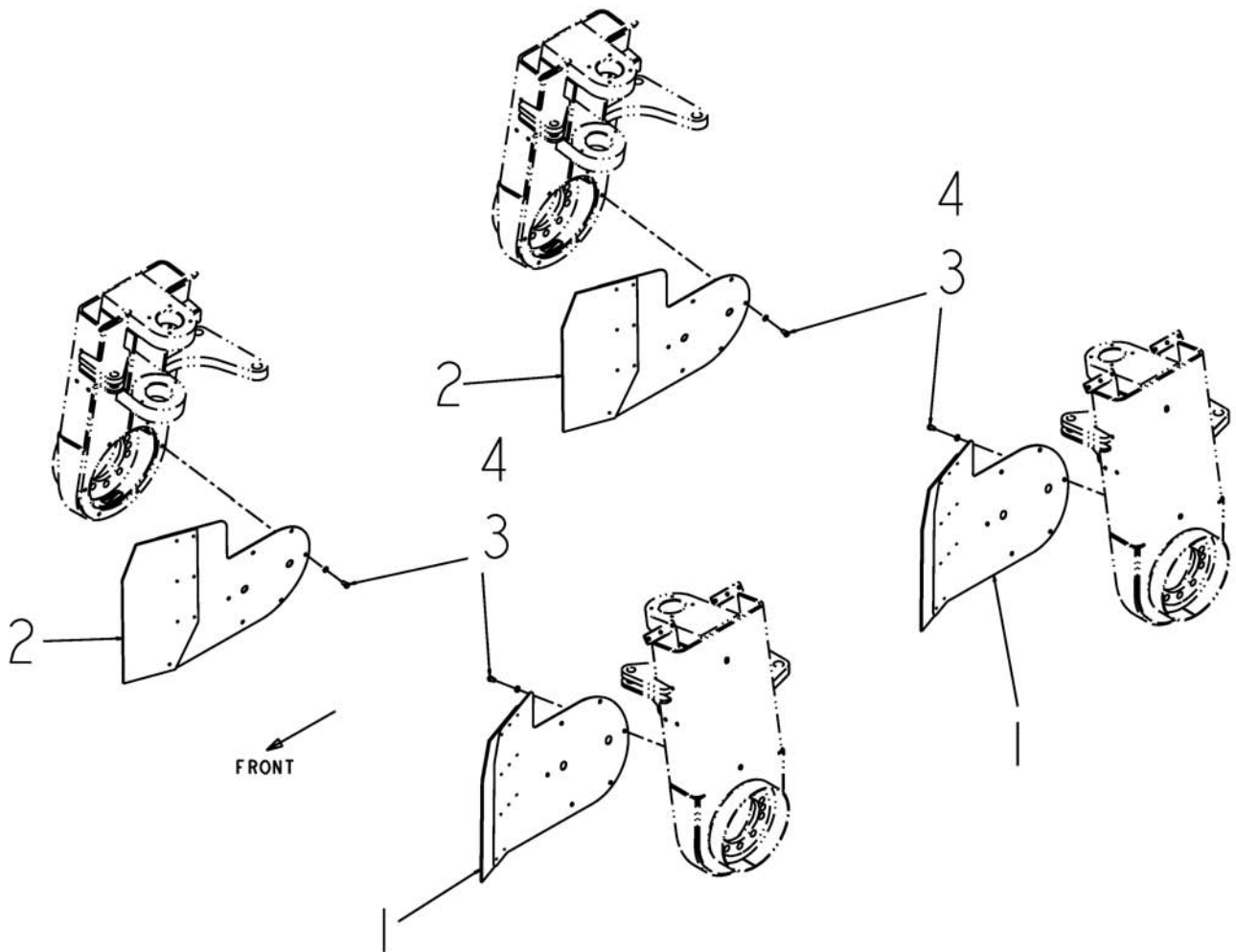
ITEM	PART #	QTY	DESCRIPTION	COMMENTS
1	AG109953	4	BUMPER-BOOM RACK	
2	AG123213	2	BRKT WLDMT-BOOMREST MTG,1264	
3	AG262556	2	PLATE-SPACER,BOOMREST	
4	AG514554	32	WASHER-FL,.50,ZN,G8,REG	
5	AG514559	16	WASHER 0.37 FL ZN SAE G8	
6	AG515121	8	WASHER 0.25 FL SS REG	
7	AG518500	6	BOLT,HHD,ZN .38-16X1.00 GR 8	
8	AG520614	16	NUT-.50-13,G8,ZN,HH,C-LK	
9	AG523259	8	NUT-.37-16,G8,ZN,H	
10	AG559237	8	BOLT 0.50-13NCX 1.50 G8 ZN HHD	
11	AG560456	2	BOLT 0.37-16NCX 3.50 G8 ZN HHD	
12	AG561665	8	BOLT 0.50-13NCX 2.00 G8 ZN HHD	
13	AG561952	8	BOLT 0.25-20NCX 1.25 S.S. HHD	
14	AG562050	8	WASHER LK 0.37 SS REG	
15	505366D1	2	WLDMT-TUV,LIGHT,MTG	
16	505369D1	2	PLATE-LIGHT,ATTACH	
17	505698D1	1	ASM-HEADLIGHT,ELEC,LH	
18	505699D1	1	ASM-HEADLIGHT,ELEC,RH	
19	506465D1	1	BOOMREST WLDMT-RH	
20	506466D1	1	BOOMREST WLDMT-LH	



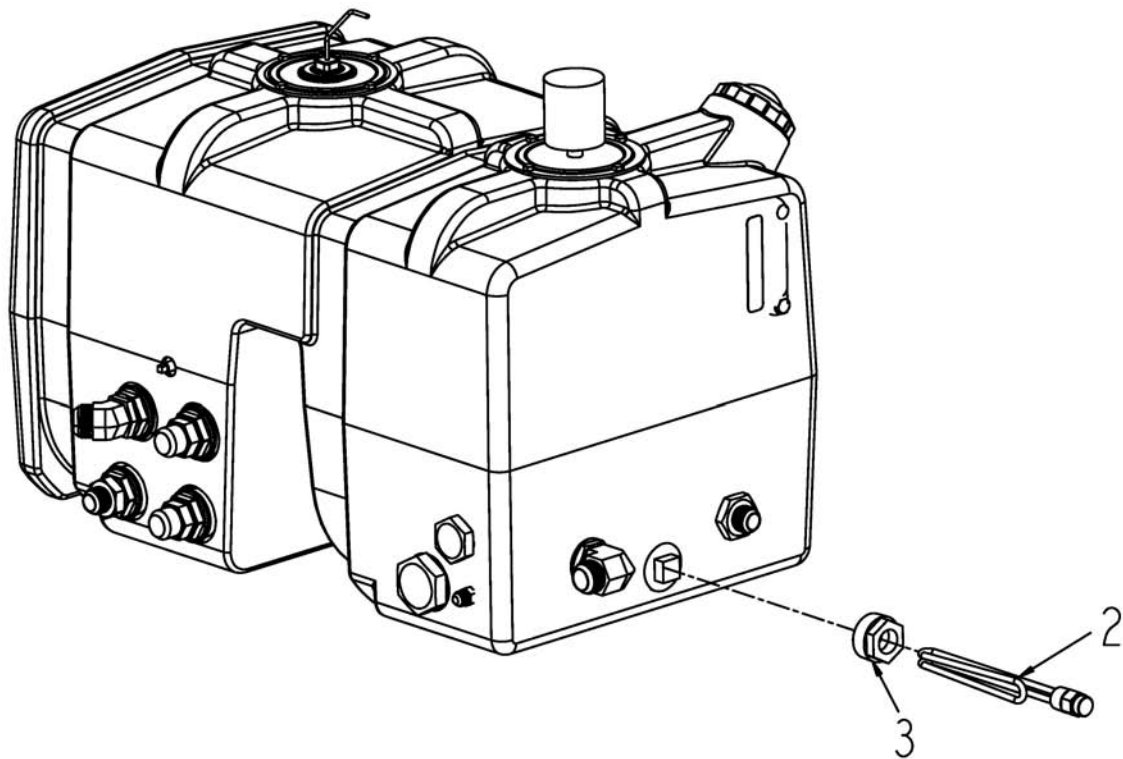
ITEM	PART #	QTY	DESCRIPTION	COMMENTS
1	AG027274	4	NUT 10-24NCSS LGT HX NY INS(P)	
2	AG109953	4	BUMPER-BOOM RACK	
3	AG123189	1	BOOMREST WLDMT-LH	
4	AG123190	1	BOOMREST WLDMT-RH	
5	AG262556	2	PLATE-SPACER,BOOMREST	
6	AG327247	2	LAMP-WARNING,AMBER	SEE PAGE 9-1
7	AG424327	2	HARNES-BOOM REST	
8	AG514554	32	WASHER-FL,.50,ZN,G8,REG	
9	AG515121	8	WASHER 0.25 FL SS REG	
10	AG520614	16	NUT-.50-13,G8,ZN,HH,C-LK	
11	AG523590	2	REFLECTOR-YELLOW,2.0X9.0	
12	AG523814	4	SCR-10-24X2.25,PPH,SS	
13	AG559237	8	BOLT 0.50-13NCX 1.50 G8 ZN HHD	
14	AG561665	8	BOLT 0.50-13NCX 2.00 G8 ZN HHD	
15	AG561952	8	BOLT 0.25-20NCX 1.25 S.S. HHD	
16	AG562082	4	WASHER #10 FL SS SAE	
17	506685D1	2	BRKT WLDMT-MTG,BOOMREST,8/10X4	



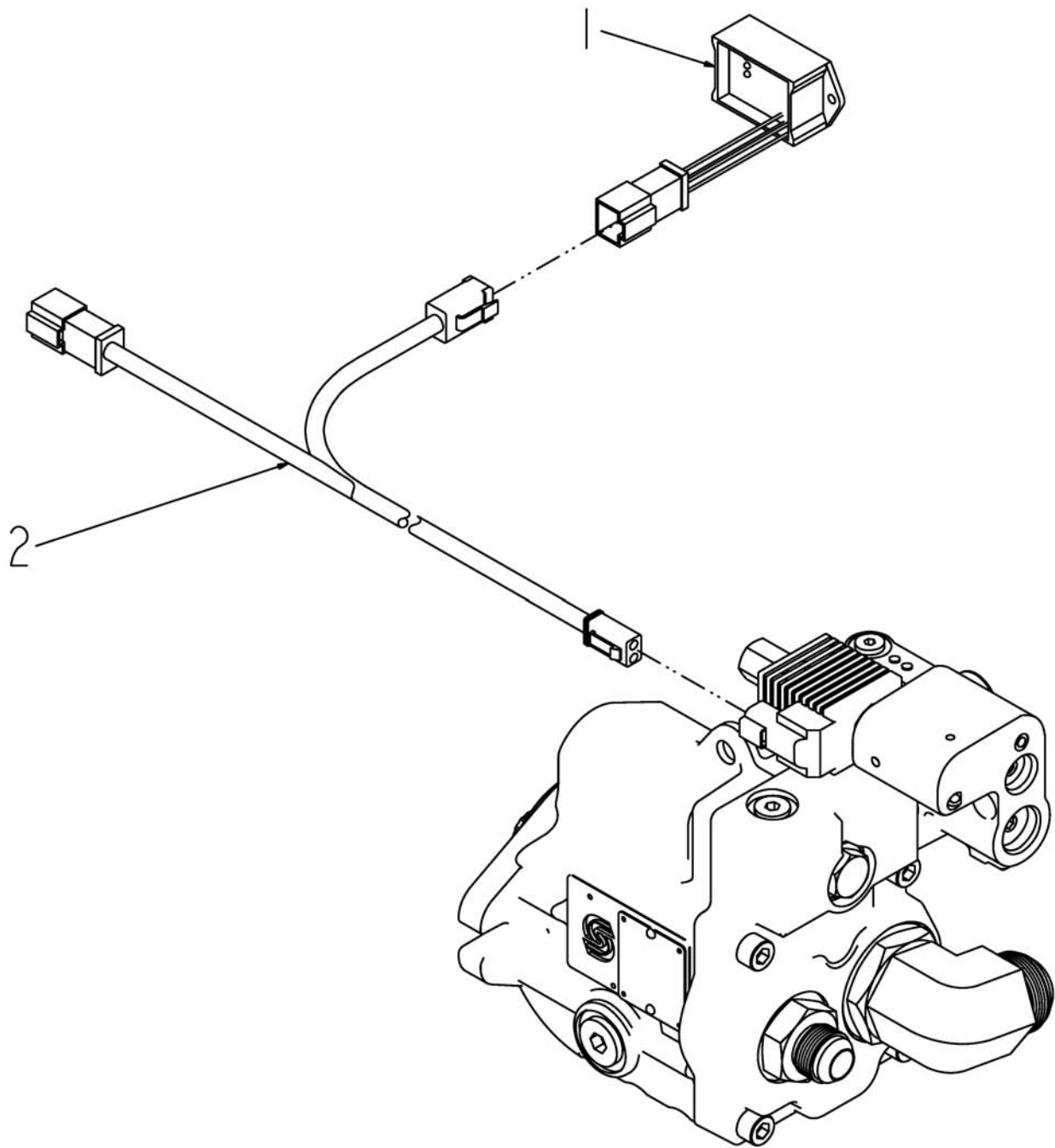
ITEM	PART #	QTY	DESCRIPTION	COMMENTS
2	AG610649	1	PUMP-WASHER,PRESSURE (423766)	
3	AG610650	1	UNLOADER-WASHER,PRESS (423766)	
4	AG610656	1	MOTOR-PRESSURE WASHER (423766)	
5	AG610652	1	WAND-WASHER,PRESS (423766)	
6	AG610651	1	GUN-SPRAY (423766)	
7	AG610653	1	PROTECTOR-NOZZLE (423766)	
8	AG610654	1	NOZZLE-SPRAY (423766)	
9	AG610655	1	HOSE-.38 X 50FT (423766)	
10	AG610657	1	COUPLER-QUICK,.38 MALE(423766)	
11	AG610658	1	COUPLER-QUICK,.38 FE (423766)	
	FOOTNOTE:		AG610649 - WASHER PUMP ONLY, AG610652 - WAND ONLY, AG610655 - HOSE	
	FOOTNOTE:		AG610650 - UNLOADER VALVE, AG610656 - HYD. MOTOR, AG610651 - SPRAY GUN	
	FOOTNOTE:		AG610654 - NOZZLE, AG610657 - MALE QC, AG610658 - FEMALE QC	



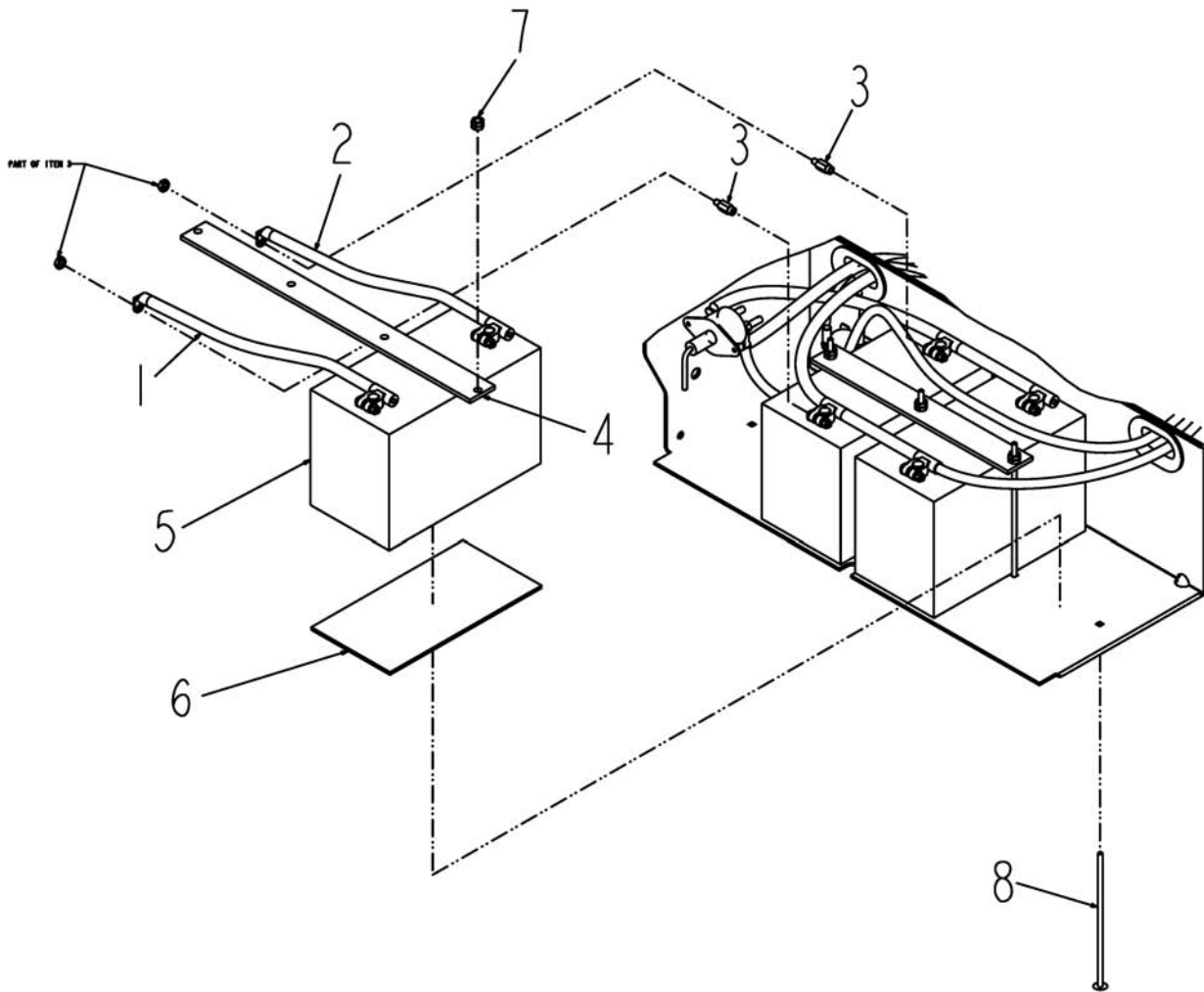
ITEM	PART #	QTY	DESCRIPTION	COMMENTS
1	AG133275	4	DECAL-GREASE,WHEEL MOTORS	
2	AG325649	2	DEFLECTOR ASM-CROP,LH	SEE PAGE 11-9
3	AG325650	2	DEFLECTOR ASM-CROP,RH	SEE PAGE 11-10
4	AG550167	24	BOLT 0.37-16NCX 0.62 G5 ZN HHD	
5	AG550191	24	WASHER LK 0.37 ZN REG	



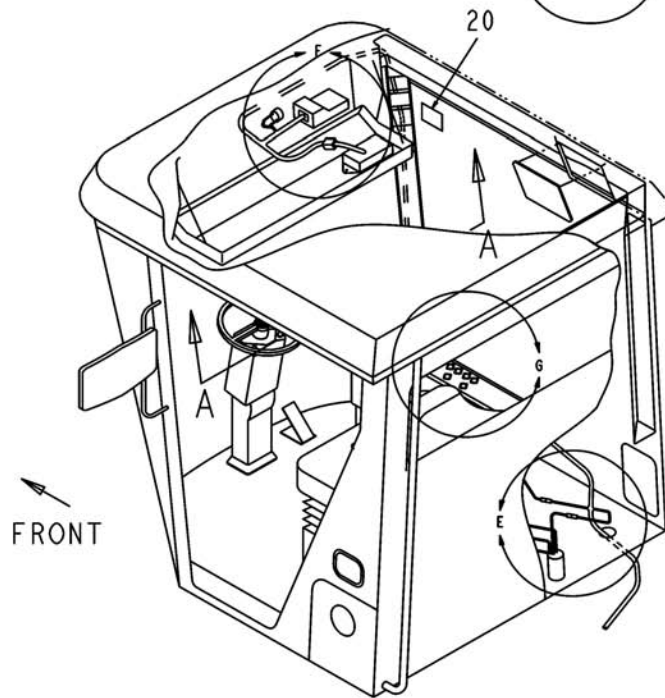
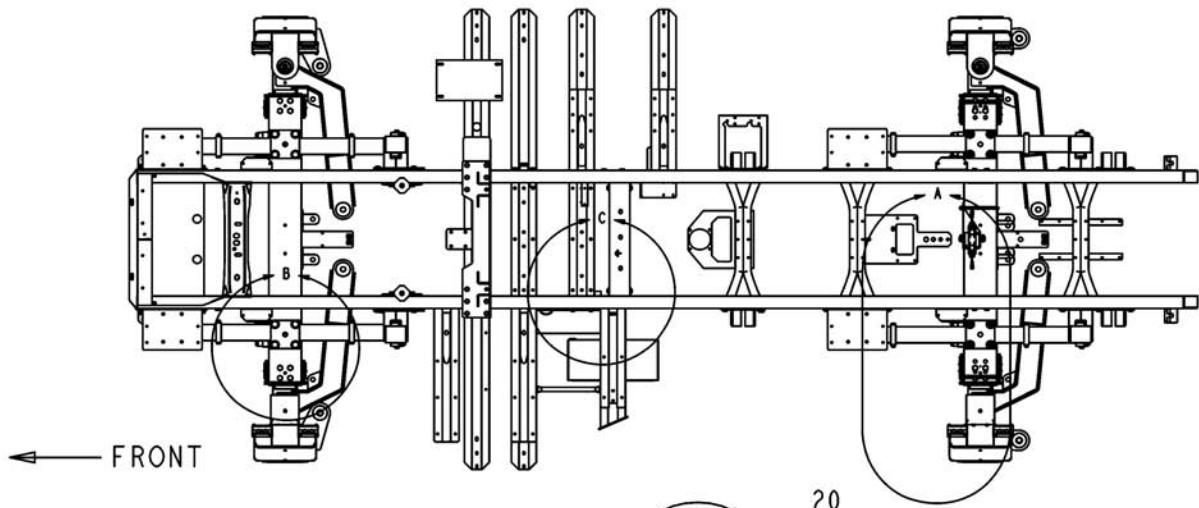
ITEM	PART #	QTY	DESCRIPTION	COMMENTS
1	AG513916	AR	LOCTITE HYD SEALANT BROWN	
2	AG516461	1	HEATER HYD OIL	[A]
3	AG552291	1	BUSHG 2.00X 1.00NPT REDG ML	
	FOOTNOTE [A]		CORD ONLY - AG719385	



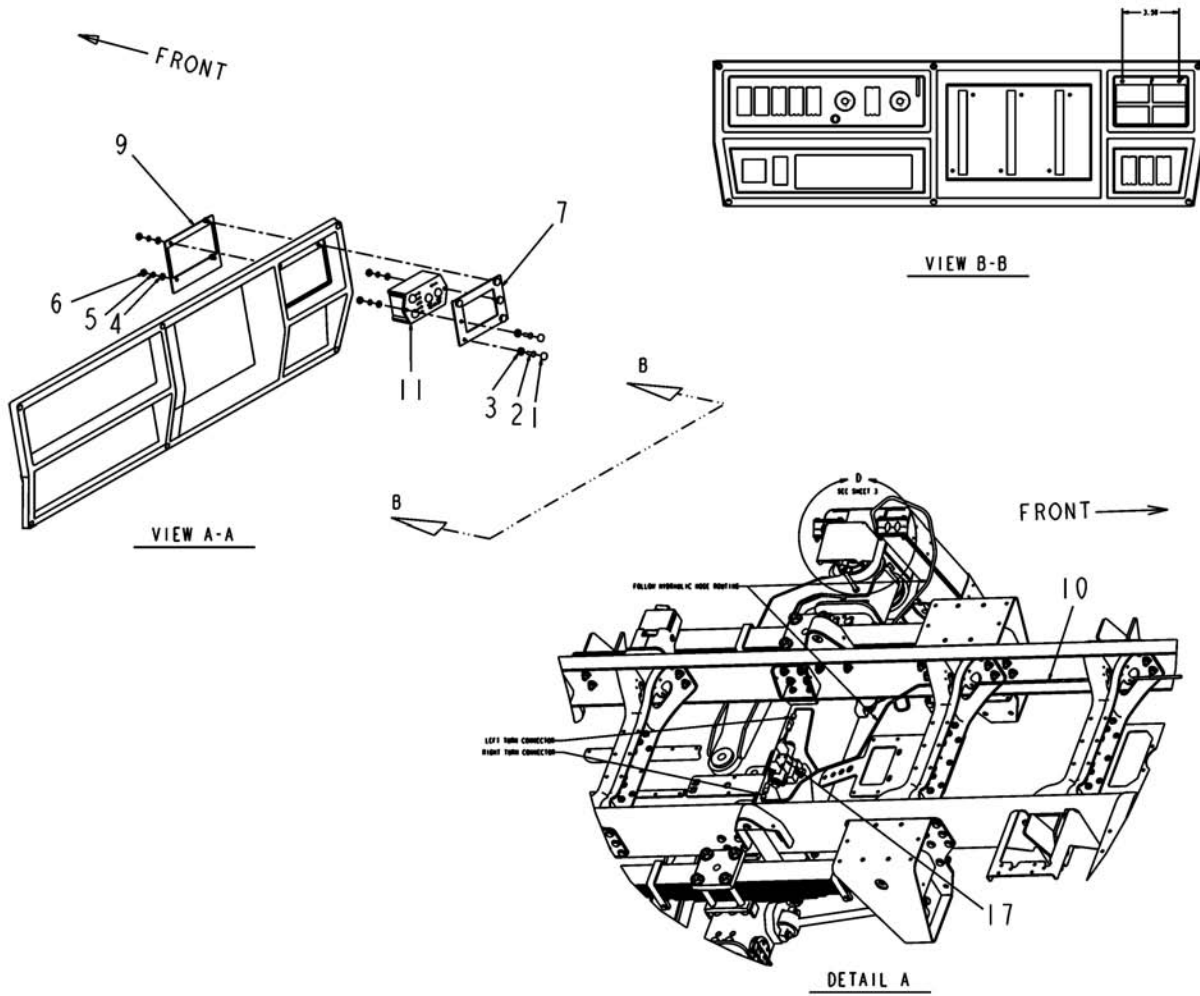
ITEM	PART #	QTY	DESCRIPTION	COMMENTS
1	AG125069	1	MODULE-BYPASS,TIMER	
2	AG125070	1	HARNESS-BYPASS,COMMON	



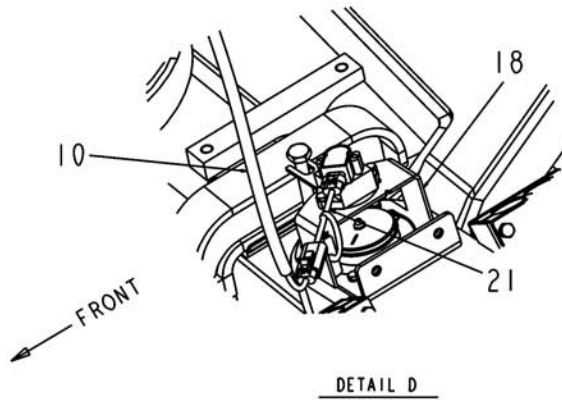
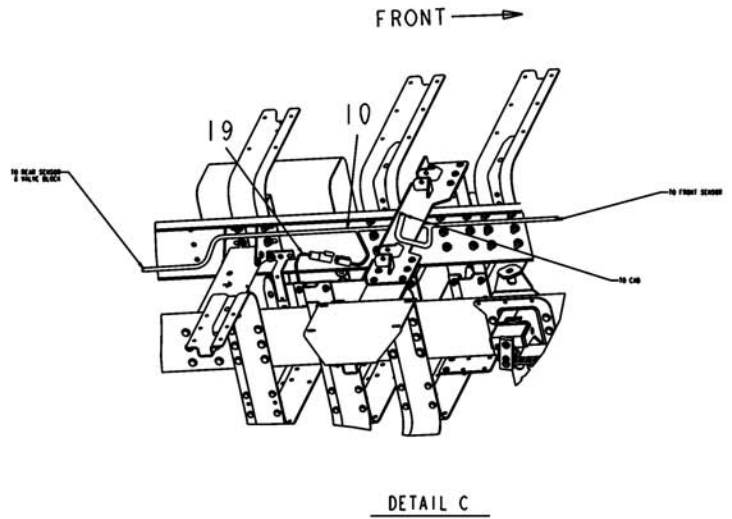
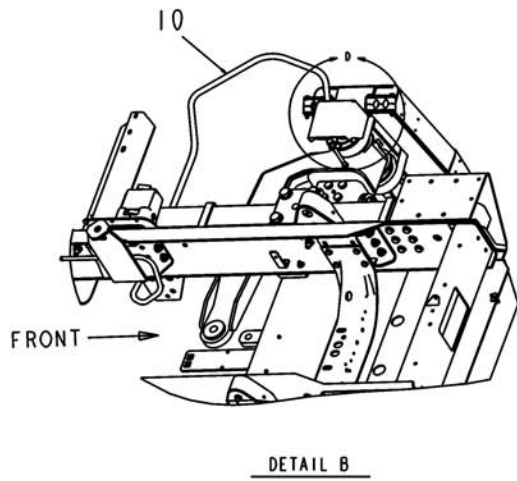
ITEM	PART #	QTY	DESCRIPTION	COMMENTS
1	AG125764	1	CABLE-3RD BATTERY,POS	
2	AG125765	1	CABLE-3RD BATTERY,NEG	
3	AG125908	2	EXTENDER-BATTERY BOLT	
4	AG125909	1	STRAP-HLDN,3 BATTERY	
5	AG123761	1	BATTERY-GROUP 31	
6	AG223413	1	MAT BATTERY	
7	AG562090	2	NUT 0.31-18NC HEX SS REG	
8	AG523581	1	BOLT-.31-18X10.00,SS,CRG	



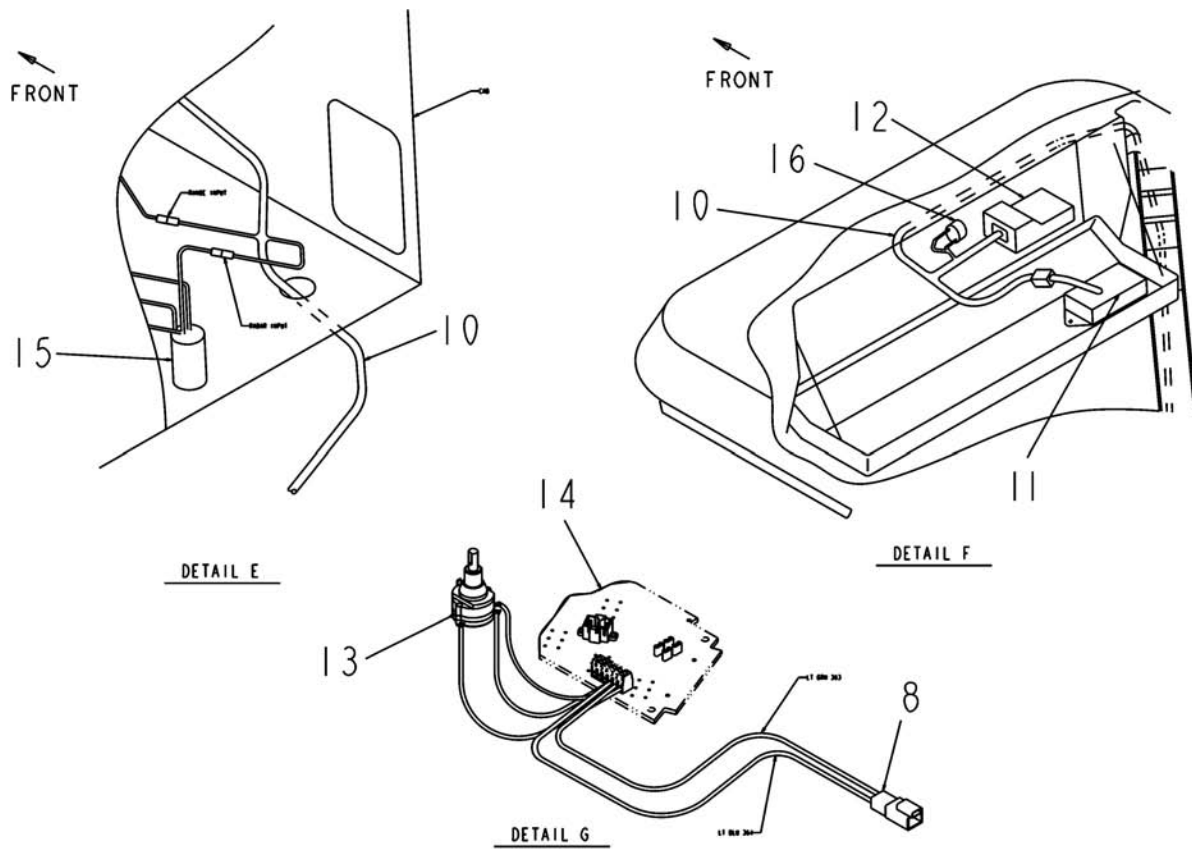
ITEM	PART #	QTY	DESCRIPTION	COMMENTS
1	AG516837	6	CAP SNAP 8/8 #180 CG	
2	AG562067	6	SCREW 8-32X 0.75 MA SS SL RHD	
3	AG516836	6	WASHER 8/8 FLAT BOTTOM	
4	AG562130	6	WASHER #8 FLAT TYPE B SS	
5	AG562066	6	WASHER #8 LK SS REG	
6	AG562070	6	NUT #8-32NC HEX SS REG	
7	AG125384	1	PLATE-4WS,RH,OUTER	
8	AG123374	1	HARNES-4WS,4TH GEAR L/O	
9	AG125385	1	PLATE-4WS,RH,INNER	
10	AG123014	1	HARNES-4 WHEEL STEER	
11	AG123027	1	PANEL-CONTROL,4WS	
12	AG120949	1	CONTROLLER-4WS	
13	AG235928	-	SWITCH ASM-SPEED ADJUST	[A]
14	AG122041	-	CIRCUIT BOARD-ARMREST,864	
15	AG520962	-	AMPLIFIER-RADAR	
16	AG512451	1	SONALERT	
17	AG122777	-	VALVE ASM-STEERING,REAR	SEE PAGE 3-3
18	AG328021	-	SENSOR ASM-STEER	SEE PAGE 3-6
19	AG121721	-	HARNES-CHASSIS,864	
20	AG123375	1	DECAL-4WS WARNING	
21	AG126115	2	HARNES-4WS,SENSOR FILTER	
	FOOTNOTE [A]		KNOB FOR SWITCH - AG520559	



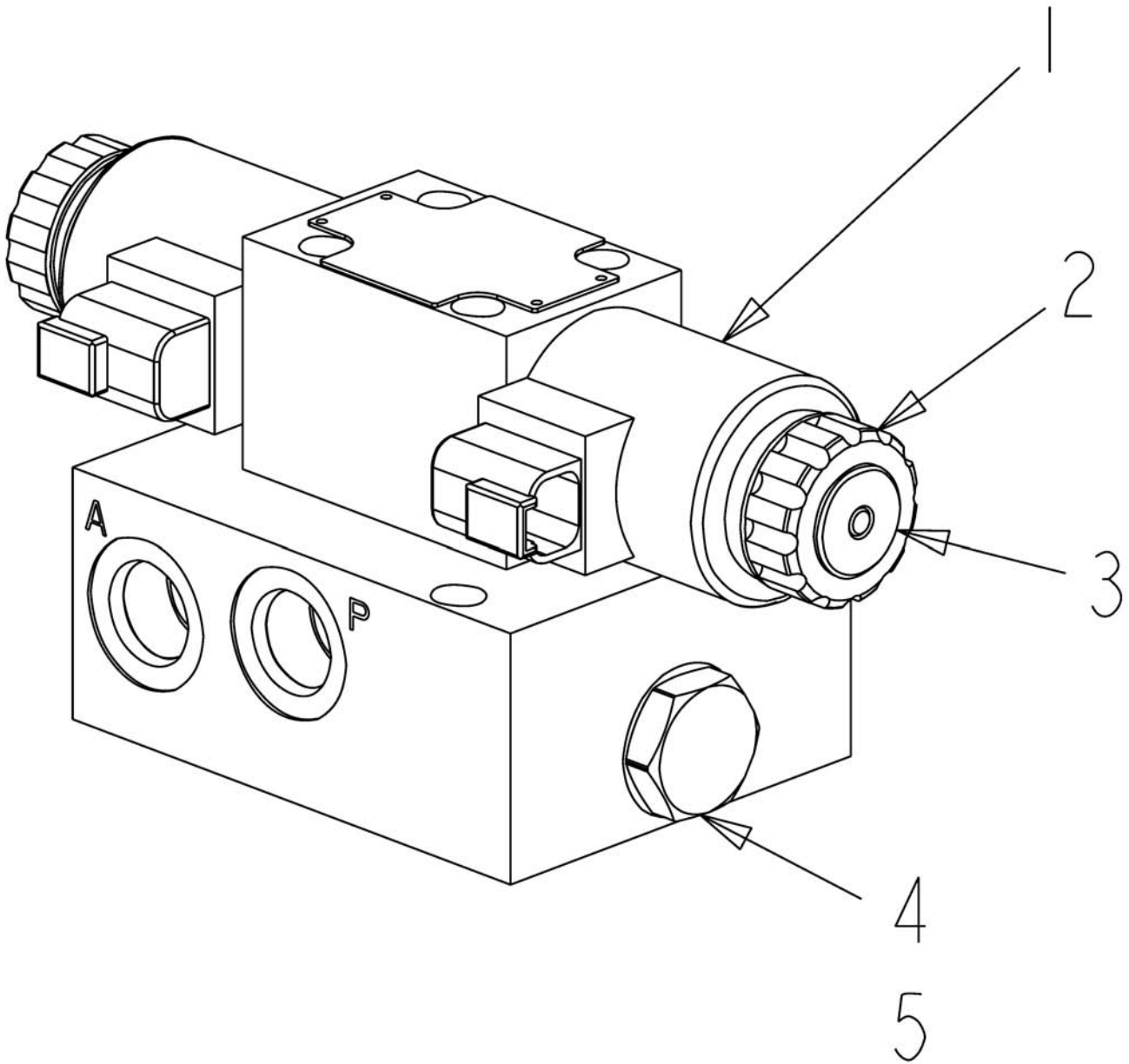
ITEM	PART #	QTY	DESCRIPTION	COMMENTS
1	AG516837	6	CAP SNAP 8/8 #180 CG	
2	AG562067	6	SCREW 8-32X 0.75 MA SS SL RHD	
3	AG516836	6	WASHER 8/8 FLAT BOTTOM	
4	AG562130	6	WASHER #8 FLAT TYPE B SS	
5	AG562066	6	WASHER #8 LK SS REG	
6	AG562070	6	NUT #8-32NC HEX SS REG	
7	AG125384	1	PLATE-4WS,RH,OUTER	
8	AG123374	1	HARNES-4WS,4TH GEAR L/O	
9	AG125385	1	PLATE-4WS,RH,INNER	
10	AG123014	1	HARNES-4 WHEEL STEER	
11	AG123027	1	PANEL-CONTROL,4WS	
12	AG120949	1	CONTROLLER-4WS	
13	AG235928	-	SWITCH ASM-SPEED ADJUST	[A]
14	AG122041	-	CIRCUIT BOARD-ARMREST,864	
15	AG520962	-	AMPLIFIER-RADAR	
16	AG512451	1	SONALERT	
17	AG122777	-	VALVE ASM-STEERING,REAR	SEE PAGE 3-3
18	AG328021	-	SENSOR ASM-STEER	SEE PAGE 3-6
19	AG121721	-	HARNES-CHASSIS,864	
20	AG123375	1	DECAL-4WS WARNING	
21	AG126115	2	HARNES-4WS,SENSOR FILTER	
	FOOTNOTE [A]		KNOB FOR SWITCH - AG520559	



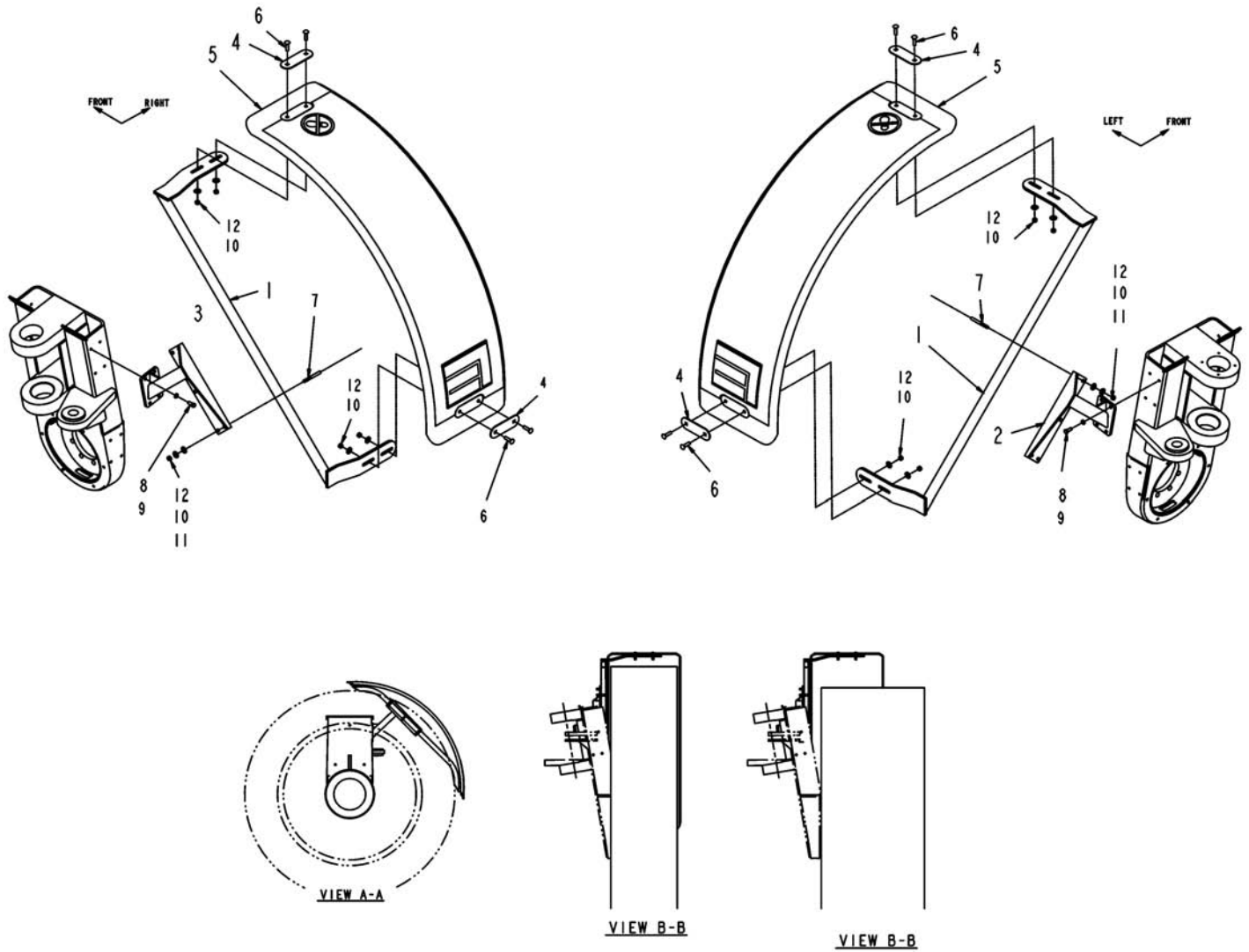
ITEM	PART #	QTY	DESCRIPTION	COMMENTS
1	AG516837	6	CAP SNAP 8/8 #180 CG	
2	AG562067	6	SCREW 8-32X 0.75 MA SS SL RHD	
3	AG516836	6	WASHER 8/8 FLAT BOTTOM	
4	AG562130	6	WASHER #8 FLAT TYPE B SS	
5	AG562066	6	WASHER #8 LK SS REG	
6	AG562070	6	NUT #8-32NC HEX SS REG	
7	AG125384	1	PLATE-4WS,RH,OUTER	
8	AG123374	1	HARNESS-4WS,4TH GEAR L/O	
9	AG125385	1	PLATE-4WS,RH,INNER	
10	AG123014	1	HARNESS-4 WHEEL STEER	
11	AG123027	1	PANEL-CONTROL,4WS	
12	AG120949	1	CONTROLLER-4WS	
13	AG235928	-	SWITCH ASM-SPEED ADJUST	[A]
14	AG122041	-	CIRCUIT BOARD-ARMREST,864	
15	AG520962	-	AMPLIFIER-RADAR	
16	AG512451	1	SONALERT	
17	AG122777	-	VALVE ASM-STEERING,REAR	SEE PAGE 3-3
18	AG328021	-	SENSOR ASM-STEER	SEE PAGE 3-6
19	AG121721	-	HARNESS-CHASSIS,864	
20	AG123375	1	DECAL-4WS WARNING	
21	AG126115	2	HARNESS-4WS,SENSOR FILTER	
	FOOTNOTE [A]		KNOB FOR SWITCH - AG520559	



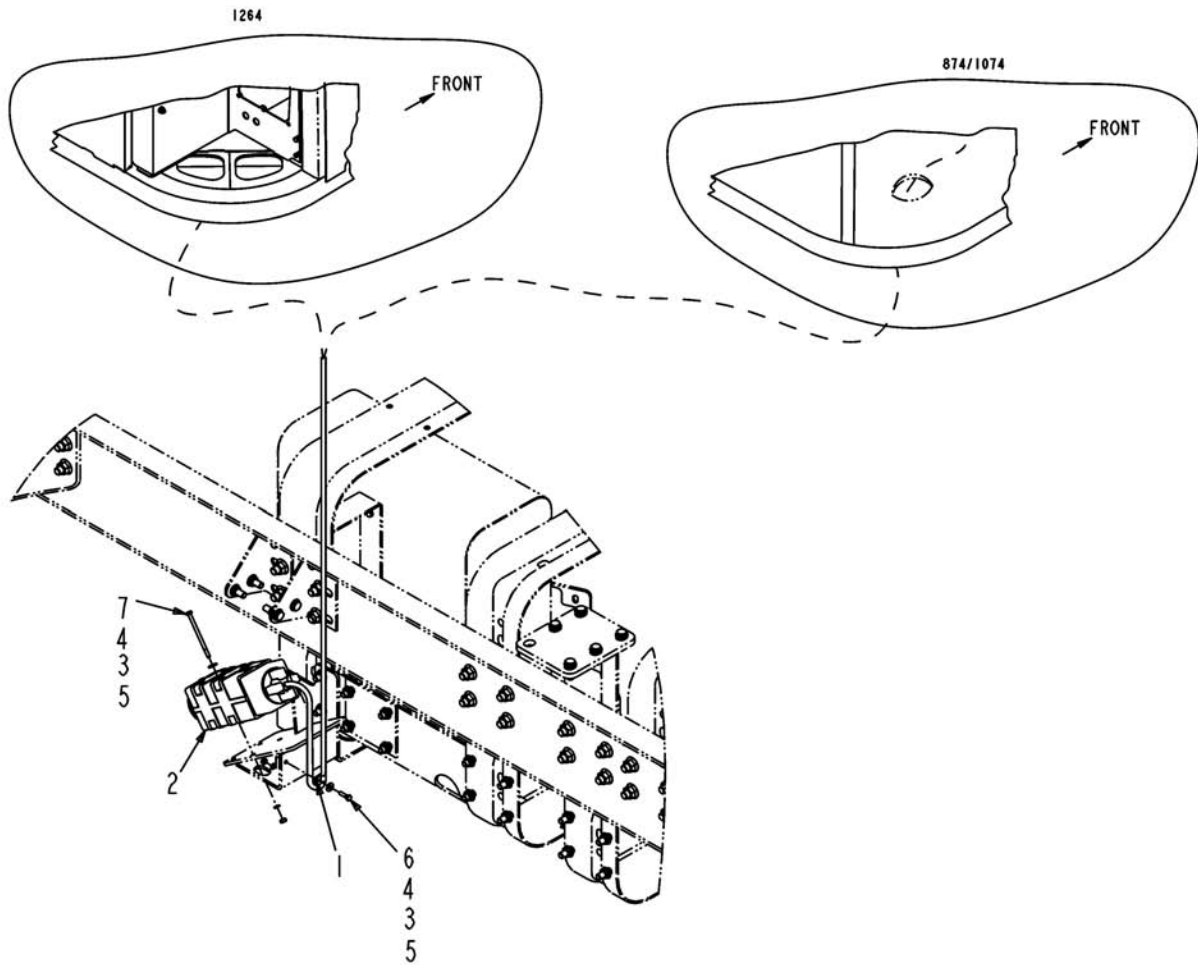
ITEM	PART #	QTY	DESCRIPTION	COMMENTS
1	AG516837	6	CAP SNAP 8/8 #180 CG	
2	AG562067	6	SCREW 8-32X 0.75 MA SS SL RHD	
3	AG516836	6	WASHER 8/8 FLAT BOTTOM	
4	AG562130	6	WASHER #8 FLAT TYPE B SS	
5	AG562066	6	WASHER #8 LK SS REG	
6	AG562070	6	NUT #8-32NC HEX SS REG	
7	AG125384	1	PLATE-4WS,RH,OUTER	
8	AG123374	1	HARNES-4WS,4TH GEAR L/O	
9	AG125385	1	PLATE-4WS,RH,INNER	
10	AG123014	1	HARNES-4 WHEEL STEER	
11	AG123027	1	PANEL-CONTROL,4WS	
12	AG120949	1	CONTROLLER-4WS	
13	AG235928	-	SWITCH ASM-SPEED ADJUST	[A]
14	AG122041	-	CIRCUIT BOARD-ARMREST,864	
15	AG520962	-	AMPLIFIER-RADAR	
16	AG512451	1	SONALERT	
17	AG122777	-	VALVE ASM-STEERING,REAR	SEE PAGE 3-3
18	AG328021	-	SENSOR ASM-STEER	SEE PAGE 3-6
19	AG121721	-	HARNES-CHASSIS,864	
20	AG123375	1	DECAL-4WS WARNING	
21	AG126115	2	HARNES-4WS,SENSOR FILTER	
	FOOTNOTE [A]		KNOB FOR SWITCH - AG520559	



ITEM	PART #	QTY	DESCRIPTION	COMMENTS
1	AG122784	-	E-COIL	[A]
2	AG122785	-	E-COIL NUT	
3	AG122786	-	CARTRIDGE	
4	AG125827	-	THERMAL RELIEF/CHECK (125819)	
5	AG125828	-	PISTON (125819)	
	FOOTNOTE [A]		WHEN REPLACING THIS COIL ON 2003 ALL STEER UNITS ALSO ORDER	
	FOOTNOTE [A]		ADAPTER HARNESS AG061270	

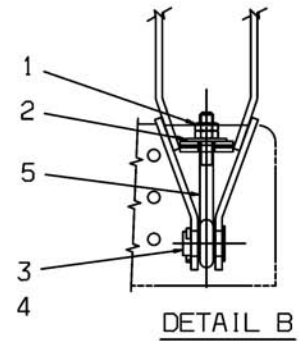
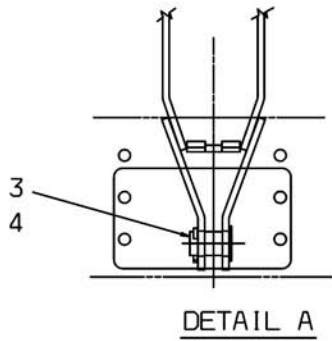
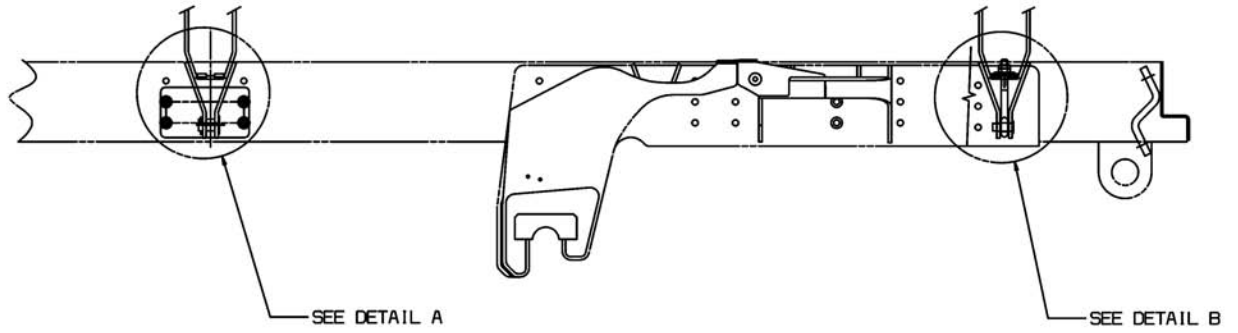


ITEM	PART #	QTY	DESCRIPTION	COMMENTS
1	AG127032	4	SUPPORT WLDMT-FENDER	
2	AG127034	2	BRACKET WLDMT-MTG,FENDER,LH	
3	AG127035	2	BRACKET WLDMT-MTG,FENDER,RH	
4	AG236763	8	PLATE-MOUNTING,FENDER	
5	AG501958	4	FENDER-ROGATOR,POLY	[A]
6	AG520944	16	BOLT-.38-16X1.5,G5,BLK,CRG	
7	AG522511	12	BOLT-U, .38-16X1.56WX2.0L,G5,ZN	
8	AG550175	16	BOLT 0.37-16NCX 1.00 G5 ZN HHD	
9	AG550191	16	WASHER LK 0.37 ZN REG	
10	AG551007	40	WASHER FL 0.37 ZN REG TYPE-B	
11	AG562438	24	WASHER 0.37 EXT-INT TOOTH ZN L	
12	AG601411	40	NUT 0.37-16NC HEX ZN REG LK NY	
	FOOTNOTE [A]		MOUNTING PLATE(2 USED)- AG236763 BOLT(4 USED)- AG520944	



ITEM	PART #	QTY	DESCRIPTION	COMMENTS
1	AG010351	1	CLAMP LOOM 0.43 PER DWG (D)	
2	AG520859	1	RADAR-DJ,7.5FT	
3	AG550493	5	WASHER LK 0.25 ZN REG	
4	AG550507	5	WASHER FL 0.25 ZN REG TYPE-B	
5	AG550612	5	NUT 0.25-20NC HEX ZN REG	
6	AG550698	1	BOLT 0.25-20NCX 1.00 G5 ZN HHD	
7	AG562148	4	BOLT 0.25-20NCX 4.00 G5 ZN	

← FORWARD



ITEM	PART #	QTY	DESCRIPTION	COMMENTS
1	AG515210	4	NUT 0.75-10NC HEX GALV JAM OSZ	
2	AG561262	2	WASHER 0.87 FL ZN REG TYPE-B	
3	AG200557	4	WLDMT PIN PIVOT	
4	AG550809	4	PIN COTTER 0.18X2.25 ZN	
5	AG200573	2	BOLT EYE .75NCX6.0 SHK DF GALV	[A]
	FOOTNOTE [A]		NUT AG562537 - OVERSIZE	
	FOOTNOTE [A]		JAM NUT AG559709 - ZINC	
	FOOTNOTE [A]		JAM NUT AG515210 - GALV.	
	FOOTNOTE [A]		10EYEBOLT - AG222750	
	FOOTNOTE [A]		SPRING - AG515068	

NUMERIC INDEX

1077605M1	5-34	505566D1	9-16	71374846	5-34
1077605M1	5-35	505567D1	9-13	71374846	5-35
1077611M1	5-34	505567D1	9-17	71374847	5-34
1077611M1	5-35	505571D1	1-14	71374847	5-35
1077627M1	5-34	505624D1	13-11	71374866	5-34
1077627M1	5-35	505624D1	13-13	71374866	5-35
1077628M1	5-34	505628D1	13-11	71374867	5-34
1077628M1	5-35	505628D1	13-13	71374867	5-35
1077633M1	5-34	505698D1	14-5	71374870	5-34
1077633M1	5-35	505698D1	14-6	71374870	5-35
1077635M1	5-34	505699D1	14-5	71374872	5-34
1077635M1	5-35	505699D1	14-6	71374872	5-35
1077636M1	5-34	505702D1	9-16	71374873	5-34
1077636M1	5-35	506179D1	9-14	71374873	5-35
1077637M1	5-34	506179D1	9-16	71374875	5-34
1077637M1	5-35	506465D1	14-4	71374875	5-35
1077638M1	5-34	506465D1	14-5	71374876	5-34
1077638M1	5-35	506465D1	14-6	71374876	5-35
1077656M1	5-34	506466D1	14-4	71374877	5-34
1077656M1	5-35	506466D1	14-5	71374877	5-35
1077664M1	5-34	506466D1	14-6	71374879	5-34
1077664M1	5-35	506636D1	9-11	71374879	5-35
1077666M1	5-34	506685D1	14-7	71374880	5-34
1077666M1	5-35	507354D1	9-2	71374880	5-35
1077673M1	5-34	507355D1	9-6	71374881	5-34
1077673M1	5-35	507356D1	13-11	71374881	5-35
1077682M1	5-34	507356D1	13-13	71374882	5-34
1077682M1	5-35	507356D1	9-2	71374882	5-35
1077684M1	5-34	508211D1	1-12	71374883	5-34
1077684M1	5-35	6579858	9-19	71374883	5-35
400217X1	5-4	6586162	10-5	71374884	5-34
401124X1	7-50	6646598	10-5	71374884	5-35
502977D1	13-21	6715715	1-2	71374886	5-34
502981D1	13-21	700725864	5-34	71374886	5-35
503032D1	13-16	700725864	5-35	71374890	5-34
503062D1	13-21	70928486	5-34	71374890	5-35
503568D1	13-21	70928486	5-35	71374891	5-34
503580D1	12-1	70937632	5-34	71374891	5-35
503581D1	10-7	70937632	5-35	71374893	5-34
503613D1	13-24	71355339	5-34	71374893	5-35
503614D1	13-24	71355339	5-35	71374894	5-34
503632D1	7-46	71355340	5-34	71374894	5-35
503635D1	7-46	71355340	5-35	71374895	5-34
504027D1	13-24	71358545	5-34	71374895	5-35
504406D1	9-17	71358545	5-35	71374896	5-34
504406D1	9-19	71374834	5-34	71374896	5-35
504498D1	13-24	71374834	5-35	71374897	5-34
504499D1	13-24	71374839	5-34	71374897	5-35
505002D1	1-2	71374839	5-35	71374898	5-34
505086D1	1-16	71374840	5-34	71374898	5-35
505366D1	14-5	71374840	5-35	71374900	5-34
505366D1	14-6	71374842	5-34	71374900	5-35
505369D1	14-5	71374842	5-35	71374901	5-34
505369D1	14-6	71374843	5-34	71374901	5-35
505374D1	9-19	71374843	5-35	71374904	5-34
505448D1	7-51	71374844	5-34	71374904	5-35
505491D1	9-19	71374844	5-35	71374908	5-34
505540D1	9-17	71374845	5-34	71374908	5-35
505566D1	9-14	71374845	5-35	71374909	5-34

NUMERIC INDEX

71374909	5-35	AG058532	5-28	AG109953	14-6
71374952	5-34	AG058655	7-6	AG109953	14-7
71374952	5-35	AG060161	7-20	AG114698	5-7
71374958	5-34	AG060905	7-54	AG120046	7-47
71374958	5-35	AG061139	7-14	AG120047	7-31
71374960	5-34	AG061140	7-14	AG120283	10-5
71374960	5-35	AG061141	7-14	AG120463	2-3
71396130	5-34	AG061142	7-14	AG120558	4-2
71396130	5-35	AG061143	7-14	AG120615	13-10
71396133	5-34	AG061144	7-14	AG120755	10-1
71396133	5-35	AG061145	7-14	AG120869	3-2
71396140	5-34	AG061146	7-14	AG120899	1-12
71396140	5-35	AG061183	7-5	AG120912	1-12
71396141	5-34	AG061184	7-7	AG120926	11-2
71396141	5-35	AG061185	7-7	AG120926	11-3
71774840	5-34	AG061187	7-23	AG120932	2-3
71774840	5-35	AG061188	7-21	AG120948	14-1
AG007785	14-2	AG061189	7-54	AG120949	14-13
AG010351	14-16	AG061190	7-54	AG120958	5-4
AG019927	7-32	AG061191	7-24	AG120959	1-17
AG021600	14-1	AG061191	7-54	AG120961	3-1
AG021600	5-17	AG061192	7-23	AG120962	3-1
AG021600	5-5	AG061198	7-23	AG120970	2-3
AG026642	9-14	AG061199	7-23	AG120971	5-40
AG026642	9-16	AG061200	7-23	AG120972	3-3
AG026642	9-7	AG061202	7-23	AG120972	5-18
AG027274	11-10	AG061203	7-23	AG120976	1-12
AG027274	11-9	AG061204	7-23	AG121126	9-14
AG027274	13-17	AG061205	7-23	AG121126	9-16
AG027274	14-4	AG061206	7-23	AG121126	9-7
AG027274	14-7	AG061207	7-23	AG121136	10-1
AG027275	10-10	AG061208	7-7	AG121160	9-14
AG027275	10-11	AG061209	7-7	AG121160	9-15
AG027275	9-12	AG061210	7-7	AG121160	9-16
AG027275	9-13	AG061211	7-7	AG121160	9-18
AG027275	9-17	AG061212	7-14	AG121160	9-7
AG027275	9-3	AG061229	7-23	AG121291	13-1
AG028618	7-30	AG061240	7-25	AG121364	2-3
AG029233	9-2	AG061249	5-28	AG121369	7-31
AG029293	7-46	AG061250	5-28	AG121369	7-47
AG029293	9-14	AG061251	5-28	AG121380	5-10
AG029293	9-15	AG061253	5-28	AG121380	5-13
AG029293	9-16	AG107437	7-55	AG121483	5-6
AG029293	9-18	AG107833	12-1	AG121485	5-6
AG029293	9-7	AG108321	12-2	AG121545	2-3
AG029339	5-11	AG108337	12-2	AG121545	9-3
AG029339	5-14	AG108372	12-2	AG121548	1-2
AG029339	5-8	AG108373	12-2	AG121551	1-9
AG029507	7-32	AG108374	12-2	AG121578	5-16
AG051126	14-1	AG108621	7-41	AG121582	5-45
AG051134	10-1	AG108934	12-1	AG121586	5-44
AG051137	14-2	AG109305	1-17	AG121588	5-30
AG051142	14-1	AG109342	13-6	AG121591	5-45
AG051177	14-2	AG109445	10-5	AG121593	4-1
AG051179	14-1	AG109637	7-49	AG121714	9-12
AG051903	14-1	AG109742	4-2	AG121714	9-13
AG056818	5-26	AG109754	4-2	AG121714	9-17
AG056818	5-27	AG109953	14-4	AG121715	9-12
AG058531	5-28	AG109953	14-5	AG121715	9-13

NUMERIC INDEX

AG121715	9-17	AG121905	12-1	AG122102	5-42
AG121716	9-6	AG121906	10-2	AG122105	5-42
AG121721	14-13	AG121907	10-2	AG122108	5-42
AG121748	9-15	AG121908	10-2	AG122109	5-42
AG121748	9-7	AG121910	10-2	AG122134	7-37
AG121749	9-14	AG121911	1-2	AG122134	9-6
AG121749	9-16	AG121933	13-3	AG122204	5-14
AG121749	9-7	AG121934	13-5	AG122204	5-48
AG121750	9-14	AG121936	7-33	AG122205	1-12
AG121750	9-16	AG121937	13-16	AG122206	1-12
AG121750	9-7	AG121938	7-33	AG122207	1-12
AG121751	9-12	AG121958	13-2	AG122211	1-9
AG121751	9-13	AG121967	7-42	AG122213	1-9
AG121751	9-17	AG121968	7-43	AG122214	1-9
AG121752	7-37	AG121969	7-34	AG122221	10-5
AG121752	9-6	AG121969	9-6	AG122222	1-12
AG121768	5-3	AG121970	9-6	AG122229	4-2
AG121771	10-5	AG121973	7-39	AG122230	1-10
AG121776	2-3	AG121974	7-51	AG122231	1-10
AG121778	5-45	AG121981	5-48	AG122232	9-6
AG121788	10-4	AG121986	5-43	AG122239	9-12
AG121791	10-4	AG121998	5-4	AG122239	9-13
AG121792	10-3	AG121999	5-4	AG122239	9-17
AG121805	10-4	AG122002	7-34	AG122261	7-44
AG121806	5-45	AG122002	9-6	AG122262	7-51
AG121825	7-43	AG122003	7-34	AG122301	2-2
AG121830	5-44	AG122003	9-6	AG122302	4-2
AG121838	1-13	AG122004	7-34	AG122305	9-14
AG121838	4-1	AG122004	9-6	AG122305	9-16
AG121839	1-12	AG122005	9-6	AG122305	9-7
AG121842	1-13	AG122006	9-6	AG122306	9-14
AG121851	1-1	AG122007	9-6	AG122306	9-16
AG121851	1-13	AG122019	9-12	AG122306	9-7
AG121852	1-13	AG122019	9-13	AG122317	13-5
AG121853	1-13	AG122019	9-17	AG122318	13-4
AG121854	1-13	AG122035	7-46	AG122382	9-6
AG121855	7-42	AG122041	14-13	AG122388	9-6
AG121858	7-34	AG122041	7-41	AG122406	7-34
AG121859	7-37	AG122043	7-53	AG122468	5-25
AG121867	13-1	AG122049	13-25	AG122469	5-25
AG121868	7-2	AG122049	7-51	AG122472	2-2
AG121868	7-33	AG122050	7-51	AG122479	11-12
AG121870	7-35	AG122058	1-12	AG122479	11-13
AG121875	13-3	AG122059	13-21	AG122480	1-12
AG121876	13-3	AG122059	9-14	AG122482	11-1
AG121886	10-4	AG122059	9-16	AG122483	11-1
AG121887	7-31	AG122059	9-7	AG122484	11-2
AG121887	7-47	AG122061	10-7	AG122484	11-3
AG121888	1-12	AG122062	10-7	AG122484	11-5
AG121891	1-12	AG122064	5-46	AG122484	11-6
AG121891	1-13	AG122065	5-46	AG122486	11-4
AG121901	10-6	AG122066	5-42	AG122487	11-4
AG121903	2-2	AG122066	8-1	AG122525	2-3
AG121904	2-2	AG122067	5-42	AG122526	2-3
AG121905	11-1	AG122067	8-1	AG122528	2-3
AG121905	11-11	AG122079	14-1	AG122532	5-42
AG121905	11-14	AG122081	14-1	AG122544	7-1
AG121905	11-19	AG122095	5-42	AG122546	7-51
AG121905	11-4	AG122097	5-42	AG122639	1-17

NUMERIC INDEX

AG122764	5-44	AG123967	2-1	AG125208	4-2
AG122766	1-9	AG123967	2-2	AG125210	4-2
AG122772	5-9	AG124000	12-2	AG125211	2-3
AG122777	14-13	AG124338	1-2	AG125212	1-9
AG122778	3-5	AG124340	2-1	AG125216	1-12
AG122780	5-20	AG124340	3-4	AG125229	10-3
AG122781	5-20	AG124341	2-1	AG125230	10-4
AG122784	14-14	AG124341	3-4	AG125384	14-13
AG122784	5-2	AG124342	2-1	AG125385	14-13
AG122785	14-14	AG124343	2-1	AG125505	9-14
AG122785	5-2	AG124344	3-4	AG125505	9-7
AG122786	14-14	AG124345	3-4	AG125547	9-14
AG122786	5-2	AG124353	6-3	AG125547	9-16
AG122800	2-1	AG124360	5-14	AG125547	9-7
AG122800	3-1	AG124360	5-8	AG125664	11-15
AG122800	3-4	AG124361	7-45	AG125664	11-16
AG122807	5-1	AG124451	9-14	AG125706	13-16
AG122807	5-31	AG124451	9-16	AG125706	13-23
AG122809	1-2	AG124451	9-7	AG125707	13-15
AG122810	1-2	AG124452	9-14	AG125708	13-16
AG122821	10-4	AG124452	9-16	AG125764	14-12
AG122822	10-4	AG124452	9-7	AG125765	14-12
AG122830	5-25	AG124711	7-46	AG125785	13-11
AG122966	13-3	AG124713	7-51	AG125785	13-13
AG122966	13-4	AG124714	10-2	AG125785	13-3
AG123014	14-13	AG124715	10-2	AG125810	9-14
AG123019	13-10	AG124722	5-42	AG125810	9-16
AG123027	14-13	AG124722	6-7	AG125810	9-7
AG123188	14-4	AG124723	5-45	AG125813	11-11
AG123188	14-5	AG124724	6-3	AG125814	11-11
AG123189	14-7	AG124725	6-3	AG125815	11-12
AG123190	14-7	AG124726	1-2	AG125815	11-13
AG123213	14-6	AG124732	5-45	AG125817	1-2
AG123374	14-13	AG124733	1-2	AG125818	12-1
AG123375	14-13	AG124734	1-2	AG125819	5-19
AG123579	14-1	AG124736	5-48	AG125820	3-5
AG123597	9-12	AG124863	9-12	AG125827	14-14
AG123597	9-13	AG124863	9-13	AG125828	14-14
AG123597	9-17	AG124865	13-16	AG125830	11-7
AG123668	2-3	AG124866	9-7	AG125832	2-3
AG123684	1-16	AG124867	9-12	AG125836	11-1
AG123761	14-12	AG124867	9-13	AG125836	11-11
AG123761	9-3	AG124867	9-17	AG125836	11-14
AG123793	1-16	AG124868	13-16	AG125836	11-19
AG123794	9-12	AG124868	9-12	AG125836	11-4
AG123794	9-13	AG124868	9-6	AG125836	11-7
AG123794	9-17	AG125069	14-11	AG125836	12-1
AG123817	10-6	AG125070	14-11	AG125848	5-37
AG123902	10-5	AG125078	6-7	AG125849	5-37
AG123914	2-3	AG125078	9-13	AG125889	13-25
AG123915	2-3	AG125078	9-17	AG125890	13-25
AG123916	2-3	AG125125	5-43	AG125897	13-21
AG123917	2-3	AG125136	5-42	AG125898	13-21
AG123921	1-16	AG125137	5-42	AG125908	14-12
AG123924	1-9	AG125138	5-47	AG125909	14-12
AG123925	2-3	AG125139	5-20	AG126115	14-13
AG123945	13-10	AG125140	5-20	AG126229	13-13
AG123946	13-10	AG125144	5-42	AG126233	13-12
AG123965	1-17	AG125206	2-2	AG126258	5-13

NUMERIC INDEX

AG126259	5-10	AG129549	5-37	AG132281	10-9
AG126259	5-13	AG129550	5-37	AG132283	10-9
AG126260	5-13	AG129551	5-37	AG132284	5-25
AG126261	5-10	AG129552	5-37	AG132288	1-14
AG126262	5-10	AG129553	5-37	AG132289	1-14
AG126262	5-13	AG129554	5-37	AG132290	1-16
AG126263	5-10	AG129555	5-37	AG132409	13-26
AG126265	5-24	AG129556	5-37	AG132410	13-27
AG126266	5-24	AG129557	13-26	AG132436	13-26
AG126267	5-24	AG129560	13-14	AG132465	13-26
AG126268	5-16	AG129570	13-16	AG132471	1-14
AG126269	5-16	AG129780	7-24	AG132472	1-16
AG126270	5-16	AG129805	7-51	AG132473	1-16
AG126271	5-16	AG129850	12-1	AG132476	2-3
AG126395	1-14	AG129869	5-25	AG132477	2-3
AG126396	1-11	AG129870	1-3	AG132479	2-3
AG126397	1-11	AG129927	13-8	AG132487	6-7
AG126403	4-2	AG129928	5-13	AG132498	13-14
AG126415	5-4	AG129928	5-16	AG132499	13-15
AG127032	14-15	AG130018	5-11	AG132560	9-12
AG127034	14-15	AG130020	10-8	AG132560	9-13
AG127035	14-15	AG130027	2-3	AG132560	9-17
AG127037	6-7	AG130029	2-3	AG132585	7-49
AG127042	1-17	AG130030	2-3	AG132591	2-3
AG127222	7-31	AG130051	10-12	AG132593	2-3
AG127228	10-5	AG130053	2-3	AG132598	5-30
AG127229	10-6	AG130173	2-1	AG132599	5-32
AG127230	10-5	AG130173	3-4	AG132600	5-38
AG127708	11-14	AG130207	2-3	AG132602	11-17
AG127709	11-14	AG130245	1-16	AG132602	11-18
AG127710	11-15	AG130294	5-42	AG132603	1-17
AG127710	11-16	AG130299	5-42	AG132604	1-17
AG127718	10-2	AG130409	6-6	AG132640	13-14
AG127726	1-12	AG130414	4-2	AG132925	1-1
AG128078	9-12	AG130449	10-8	AG132926	1-1
AG128112	14-1	AG130450	10-9	AG133222	5-39
AG128113	14-1	AG130461	5-25	AG133227	1-17
AG128114	14-1	AG131381	13-12	AG133228	1-17
AG129187	14-1	AG131382	13-11	AG133230	1-17
AG129242	9-18	AG131383	13-11	AG133231	5-34
AG129525	13-22	AG131419	13-12	AG133231	5-35
AG129526	13-26	AG131422	13-11	AG133232	11-17
AG129529	13-26	AG131422	13-13	AG133232	11-18
AG129530	13-26	AG131760	9-14	AG133235	11-19
AG129531	13-26	AG131760	9-16	AG133236	11-19
AG129532	13-26	AG131760	9-7	AG133247	1-17
AG129533	13-27	AG131761	2-3	AG133263	5-43
AG129534	13-26	AG131761	9-14	AG133268	5-43
AG129535	13-26	AG131761	9-16	AG133269	5-43
AG129536	13-26	AG131761	9-7	AG133270	5-43
AG129537	13-26	AG132262	1-16	AG133271	5-43
AG129538	13-27	AG132266	2-3	AG133274	13-21
AG129539	13-26	AG132268	2-3	AG133274	2-3
AG129540	13-26	AG132271	2-3	AG133274	9-14
AG129542	13-26	AG132272	2-3	AG133274	9-16
AG129543	13-26	AG132274	10-8	AG133274	9-7
AG129546	5-37	AG132277	10-9	AG133275	11-8
AG129547	5-37	AG132278	10-9	AG133275	14-9
AG129548	5-37	AG132280	10-9	AG133277	5-33

NUMERIC INDEX

AG133278	5-33	AG135585	5-42	AG137565	5-35
AG133278	5-34	AG135586	5-43	AG137566	5-34
AG133278	5-35	AG135587	5-43	AG137566	5-35
AG133279	5-33	AG135588	5-42	AG137567	5-34
AG133559	5-1	AG135589	5-43	AG137567	5-35
AG133560	5-1	AG135590	5-42	AG137568	5-34
AG133561	5-1	AG135975	1-17	AG137568	5-35
AG133562	5-1	AG136180	7-50	AG137569	5-33
AG133563	5-1	AG136181	7-51	AG137569	5-34
AG133891	13-16	AG136182	7-2	AG137569	5-35
AG133891	13-25	AG136183	7-2	AG137570	5-33
AG133899	13-26	AG136196	7-51	AG137570	5-34
AG133992	13-21	AG136196	9-11	AG137570	5-35
AG133994	13-26	AG136332	13-11	AG137589	5-26
AG134006	6-7	AG136332	13-13	AG137589	5-27
AG134007	6-3	AG136399	5-41	AG138317	5-28
AG134180	13-21	AG136400	5-45	AG138413	5-16
AG134381	1-17	AG136404	1-17	AG200557	14-17
AG134382	7-49	AG137236	1-15	AG200573	14-17
AG134383	7-49	AG137237	1-15	AG203866	5-47
AG134384	1-17	AG137238	1-15	AG204676	5-21
AG134385	2-2	AG137249	5-26	AG209519	13-21
AG134386	2-3	AG137250	5-27	AG209672	5-42
AG134387	12-1	AG137379	1-15	AG209672	6-7
AG134388	12-1	AG137544	5-34	AG212653	1-9
AG134396	5-33	AG137544	5-35	AG213040	5-7
AG134396	5-34	AG137545	5-34	AG214518	14-1
AG134396	5-35	AG137545	5-35	AG217181	14-3
AG134595	13-24	AG137546	5-34	AG220027	14-1
AG134602	13-16	AG137546	5-35	AG220601	5-47
AG134606	13-22	AG137547	5-34	AG223224	12-1
AG134674	1-17	AG137547	5-35	AG223413	14-12
AG134675	1-17	AG137548	5-34	AG223413	9-3
AG134677	1-17	AG137548	5-35	AG224865	5-42
AG134678	1-17	AG137549	5-34	AG224865	6-7
AG134730	13-22	AG137549	5-35	AG228298	12-1
AG134744	13-16	AG137550	5-34	AG228831	7-51
AG134848	13-25	AG137550	5-35	AG230121	12-1
AG134932	5-33	AG137551	5-34	AG231239	5-42
AG134933	5-33	AG137551	5-35	AG231449	2-1
AG134946	5-38	AG137554	5-34	AG231449	3-1
AG135348	5-36	AG137554	5-35	AG231449	3-4
AG135350	5-44	AG137555	5-34	AG231454	2-1
AG135351	5-38	AG137555	5-35	AG231454	3-1
AG135570	5-43	AG137556	5-34	AG231454	3-4
AG135571	5-43	AG137556	5-35	AG231827	7-46
AG135572	5-43	AG137557	5-34	AG231940	9-2
AG135573	5-43	AG137557	5-35	AG232490	9-3
AG135574	5-43	AG137558	5-34	AG232534	12-1
AG135575	5-43	AG137558	5-35	AG232541	5-3
AG135576	5-43	AG137559	5-34	AG232938	12-1
AG135577	5-43	AG137559	5-35	AG233188	2-2
AG135578	5-43	AG137560	5-34	AG233356	7-51
AG135579	5-43	AG137560	5-35	AG234061	7-46
AG135580	5-43	AG137561	5-34	AG234321	5-4
AG135581	5-43	AG137561	5-35	AG234729	13-4
AG135582	5-43	AG137562	5-34	AG235002	10-4
AG135583	5-43	AG137562	5-35	AG235002	7-34
AG135584	5-43	AG137565	5-34	AG235002	9-6

NUMERIC INDEX

AG235004	12-1	AG260930	3-4	AG309580	9-12
AG235269	14-1	AG260931	2-1	AG309580	9-13
AG235467	9-2	AG260931	3-1	AG309580	9-17
AG235660	8-4	AG260931	3-4	AG313786	13-10
AG235781	5-42	AG260932	2-1	AG320813	13-11
AG235928	14-13	AG260932	3-1	AG320813	13-19
AG235928	7-41	AG260932	3-4	AG320813	13-4
AG235928	7-9	AG261218	13-7	AG320813	13-9
AG236210	5-43	AG261218	13-8	AG320826	13-9
AG236451	7-51	AG261515	5-43	AG320830	2-3
AG236763	14-15	AG261591	10-4	AG320862	13-20
AG236808	7-33	AG261592	10-4	AG322143	13-10
AG236845	12-1	AG261904	11-7	AG322143	13-4
AG236870	14-1	AG262203	10-4	AG322370	9-2
AG236879	14-3	AG262234	10-6	AG322494	7-51
AG237290	5-43	AG262239	10-4	AG322511	12-1
AG237293	5-43	AG262322	3-5	AG322561	7-53
AG237443	14-1	AG262323	3-5	AG322562	7-53
AG237750	13-21	AG262363	2-3	AG322563	7-53
AG237961	2-1	AG262466	10-7	AG322712	13-1
AG237961	3-1	AG262473	2-3	AG322712	13-11
AG237961	3-4	AG262480	3-6	AG322712	13-13
AG237961	5-21	AG262556	14-4	AG322712	7-53
AG237961	5-40	AG262556	14-5	AG323492	14-3
AG237961	5-7	AG262556	14-6	AG323928	10-7
AG238257	5-16	AG262556	14-7	AG324064	8-4
AG238315	5-21	AG262729	4-2	AG324178	10-1
AG238315	5-7	AG262873	2-1	AG324178	10-10
AG238366	12-1	AG262873	3-1	AG324178	10-11
AG238447	7-50	AG262873	3-4	AG324206	12-1
AG238749	14-1	AG262879	2-1	AG324356	10-7
AG238760	14-1	AG262879	3-1	AG325049	4-2
AG238762	12-1	AG262879	3-2	AG325050	4-2
AG238783	12-1	AG262879	3-4	AG325260	12-1
AG238814	12-1	AG262883	10-9	AG325523	7-31
AG238819	12-1	AG262906	1-3	AG325523	7-47
AG239263	5-42	AG262948	11-1	AG325523	7-50
AG239436	12-1	AG262948	11-11	AG325649	14-9
AG239684	11-8	AG262948	11-14	AG325650	14-9
AG239703	7-33	AG262948	11-19	AG325660	11-10
AG239897	7-48	AG262948	11-4	AG325661	11-9
AG239898	7-31	AG262948	12-1	AG326808	10-12
AG239898	7-47	AG262955	2-1	AG326992	13-3
AG239926	9-3	AG262955	3-1	AG327192	13-4
AG240964	5-42	AG262955	3-4	AG327194	13-4
AG240964	6-7	AG262994	10-9	AG327247	14-4
AG260051	12-1	AG263003	12-1	AG327247	14-7
AG260060	5-43	AG263003	7-56	AG327663	5-17
AG260063	5-43	AG263010	13-4	AG327663	5-5
AG260107	5-43	AG263013	12-1	AG327683	10-6
AG260222	10-11	AG263020	5-3	AG327684	10-6
AG260223	10-10	AG263035	2-1	AG327703	1-2
AG260919	5-43	AG263035	3-1	AG327751	2-3
AG260921	5-43	AG263035	3-4	AG327819	2-3
AG260929	2-1	AG263153	5-33	AG327865	2-3
AG260929	3-1	AG263297	7-37	AG327877	2-3
AG260929	3-4	AG309230	12-2	AG327879	2-3
AG260930	2-1	AG309499	12-1	AG327887	2-3
AG260930	3-1	AG309500	12-1	AG327892	2-3

NUMERIC INDEX

AG327962	3-6	AG424623	5-12	AG513385	14-1
AG328021	13-23	AG424839	2-2	AG513423	1-12
AG328021	14-13	AG424994	5-23	AG513640	14-1
AG328021	3-5	AG425228	13-7	AG513654	13-1
AG328338	2-1	AG425228	13-8	AG513654	13-11
AG328338	3-1	AG425301	13-19	AG513654	13-13
AG328338	3-4	AG425744	5-33	AG513654	9-3
AG328390	2-3	AG425744	5-34	AG513689	14-1
AG328434	7-46	AG425744	5-35	AG513841	7-46
AG328533	7-31	AG425745	5-33	AG513916	14-1
AG328533	7-47	AG425745	5-34	AG513916	14-10
AG328556	13-6	AG425745	5-35	AG513916	14-3
AG328557	7-33	AG425746	5-33	AG513916	5-45
AG328557	7-56	AG425746	5-34	AG513916	6-1
AG328560	7-51	AG425746	5-35	AG513916	6-2
AG328732	7-51	AG501958	14-15	AG514339	10-4
AG328742	13-19	AG502076	14-1	AG514347	1-16
AG330123	7-50	AG502782	10-11	AG514352	8-4
AG330124	7-50	AG502783	10-10	AG514385	8-4
AG330125	7-50	AG504815	4-2	AG514404	6-7
AG330126	7-50	AG504816	4-2	AG514534	14-1
AG330127	7-50	AG510734	9-3	AG514554	1-17
AG330128	7-50	AG510939	1-2	AG514554	1-2
AG407964	2-3	AG510939	4-1	AG514554	14-4
AG408424	13-9	AG510939	4-2	AG514554	14-5
AG420121	9-12	AG510947	4-1	AG514554	14-6
AG420121	9-13	AG511005	6-7	AG514554	14-7
AG420121	9-17	AG511021	7-32	AG514554	7-31
AG420127	7-39	AG511099	2-1	AG514554	7-47
AG420246	13-1	AG511099	3-1	AG514559	10-6
AG420246	13-11	AG511099	3-4	AG514559	10-9
AG420246	13-13	AG511099	5-4	AG514559	1-17
AG420246	9-6	AG511528	1-2	AG514559	14-5
AG420755	12-2	AG512273	9-10	AG514559	14-6
AG421061	14-3	AG512346	10-2	AG514559	2-2
AG421609	10-10	AG512346	4-2	AG514700	2-2
AG421609	10-11	AG512451	13-20	AG514711	2-2
AG422724	11-10	AG512451	13-6	AG514712	2-2
AG422725	11-9	AG512451	14-13	AG514713	2-2
AG423319	3-1	AG512885	10-5	AG514771	2-3
AG423320	2-1	AG512885	10-8	AG514803	14-1
AG423320	3-4	AG512885	1-12	AG514814	2-2
AG423321	2-1	AG512885	1-17	AG515044	13-3
AG423321	3-4	AG512885	1-2	AG515044	13-6
AG423571	13-3	AG512885	1-3	AG515065	5-41
AG423598	1-3	AG512885	13-4	AG515065	5-45
AG423766	14-2	AG512885	2-1	AG515121	10-1
AG423801	13-3	AG512885	3-1	AG515121	10-10
AG423849	13-3	AG512885	3-4	AG515121	10-11
AG423881	13-4	AG512885	3-5	AG515121	10-4
AG424157	5-15	AG512885	4-2	AG515121	14-4
AG424327	14-4	AG512885	5-25	AG515121	14-5
AG424327	14-7	AG512885	5-38	AG515121	14-6
AG424327	9-12	AG512885	5-4	AG515121	14-7
AG424327	9-13	AG512885	5-48	AG515121	3-6
AG424408	2-3	AG512885	6-3	AG515121	6-7
AG424577	3-6	AG512885	7-31	AG515121	7-1
AG424595	13-23	AG512885	7-39	AG515121	9-12
AG424595	3-5	AG512885	7-47	AG515121	9-13

NUMERIC INDEX

AG515121	9-14	AG515698	9-17	AG517219	9-6
AG515121	9-16	AG515698	9-7	AG517362	9-10
AG515121	9-17	AG515707	6-6	AG517369	9-10
AG515121	9-2	AG515763	13-20	AG517381	7-9
AG515121	9-3	AG515763	7-38	AG517414	7-10
AG515121	9-7	AG515764	13-10	AG517414	7-9
AG515122	10-1	AG515764	13-20	AG517420	7-41
AG515122	10-4	AG515764	7-38	AG517421	7-53
AG515122	13-12	AG515765	8-3	AG517431	9-14
AG515122	13-21	AG515766	7-40	AG517431	9-16
AG515122	3-6	AG515818	7-39	AG517431	9-7
AG515122	6-7	AG515819	7-30	AG517433	9-14
AG515122	7-1	AG515819	7-39	AG517433	9-16
AG515122	9-12	AG515850	7-40	AG517433	9-7
AG515122	9-13	AG515851	13-20	AG517439	7-47
AG515122	9-14	AG515851	7-37	AG517472	13-20
AG515122	9-16	AG515851	7-40	AG517472	7-35
AG515122	9-17	AG515927	13-18	AG517472	7-36
AG515122	9-2	AG515928	13-18	AG517473	7-35
AG515122	9-7	AG515980	14-3	AG517473	7-36
AG515123	10-1	AG515981	7-55	AG517474	13-20
AG515123	13-12	AG516064	2-1	AG517476	7-35
AG515123	13-21	AG516064	3-1	AG517476	7-36
AG515123	3-6	AG516064	3-4	AG517522	14-2
AG515123	6-7	AG516193	1-11	AG517550	9-5
AG515123	9-12	AG516206	6-7	AG517556	2-3
AG515123	9-13	AG516206	7-2	AG517556	6-3
AG515123	9-14	AG516206	7-33	AG517556	7-31
AG515123	9-16	AG516207	7-56	AG517556	7-47
AG515123	9-17	AG516229	6-3	AG517616	8-3
AG515123	9-2	AG516230	6-3	AG517617	13-10
AG515123	9-7	AG516233	6-1	AG517657	9-3
AG515140	10-3	AG516403	13-21	AG517683	7-50
AG515140	5-21	AG516431	6-7	AG517742	9-12
AG515140	5-7	AG516431	7-2	AG517742	9-13
AG515141	14-1	AG516461	14-10	AG517742	9-17
AG515180	1-12	AG516475	6-7	AG517743	9-12
AG515180	2-2	AG516476	6-7	AG517743	9-13
AG515180	7-31	AG516479	6-7	AG517743	9-17
AG515180	7-44	AG516614	6-7	AG517755	7-53
AG515180	7-47	AG516642	6-2	AG517766	11-12
AG515210	14-17	AG516642	6-7	AG517766	11-13
AG515277	5-21	AG516643	6-2	AG517766	11-15
AG515310	9-2	AG516780	1-12	AG517766	11-16
AG515371	7-38	AG516790	14-1	AG517766	11-17
AG515372	7-38	AG516836	14-13	AG517766	11-18
AG515669	9-14	AG516837	14-13	AG517766	11-2
AG515669	9-16	AG516853	7-35	AG517766	11-3
AG515669	9-7	AG516853	7-36	AG517766	11-5
AG515697	9-12	AG516853	7-38	AG517766	11-6
AG515697	9-13	AG516864	9-14	AG517788	13-20
AG515697	9-14	AG516864	9-16	AG517788	7-38
AG515697	9-16	AG516864	9-7	AG517790	7-44
AG515697	9-17	AG516865	9-5	AG517800	1-12
AG515697	9-7	AG516877	13-21	AG517801	1-12
AG515698	9-12	AG517097	5-7	AG517802	5-41
AG515698	9-13	AG517157	9-6	AG517804	7-12
AG515698	9-14	AG517158	9-6	AG517937	7-4
AG515698	9-16	AG517159	9-6	AG517938	6-7

NUMERIC INDEX

AG517942	13-1	AG519278	8-1	AG520559	7-9
AG517942	13-10	AG519288	8-3	AG520602	5-44
AG517942	13-11	AG519290	13-10	AG520614	14-4
AG517942	13-13	AG519377	5-22	AG520614	14-5
AG517942	13-3	AG519378	5-22	AG520614	14-6
AG517942	13-9	AG519394	1-12	AG520614	14-7
AG517946	13-27	AG519413	7-12	AG520614	7-31
AG517996	13-9	AG519446	13-12	AG520614	7-47
AG518003	13-20	AG519481	10-1	AG520617	5-45
AG518003	7-36	AG519481	10-10	AG520627	6-3
AG518026	7-46	AG519481	10-11	AG520671	9-6
AG518071	14-1	AG519495	1-2	AG520746	9-14
AG518088	7-41	AG519507	4-1	AG520746	9-16
AG518088	7-9	AG519525	2-1	AG520746	9-7
AG518215	7-1	AG519525	3-4	AG520748	9-14
AG518235	7-46	AG519556	4-2	AG520748	9-16
AG518292	4-2	AG519570	5-45	AG520748	9-7
AG518414	6-7	AG519718	14-2	AG520859	13-1
AG518443	5-39	AG519725	13-27	AG520859	14-16
AG518500	1-17	AG519726	13-27	AG520869	13-11
AG518500	14-5	AG519741	1-9	AG520869	13-13
AG518500	14-6	AG519742	10-5	AG520870	1-12
AG518511	10-5	AG519757	13-20	AG520879	13-26
AG518511	2-1	AG519757	7-35	AG520880	5-37
AG518511	3-1	AG519757	7-36	AG520885	2-3
AG518511	3-4	AG519766	14-1	AG520885	5-40
AG518524	8-1	AG519802	10-8	AG520885	5-44
AG518524	8-2	AG519802	10-9	AG520889	6-2
AG518524	8-4	AG519872	7-30	AG520907	7-2
AG518525	8-1	AG519872	7-34	AG520907	7-33
AG518526	8-4	AG519878	7-30	AG520910	9-3
AG518618	2-4	AG519906	5-22	AG520922	6-3
AG518622	6-1	AG519907	5-22	AG520923	6-3
AG518622	6-2	AG519918	7-30	AG520923	6-7
AG518622	6-3	AG520092	9-14	AG520929	10-9
AG518622	6-7	AG520092	9-16	AG520933	14-3
AG518622	7-2	AG520092	9-7	AG520934	14-3
AG518622	7-33	AG520093	9-14	AG520937	14-3
AG518622	7-56	AG520093	9-16	AG520940	6-3
AG518631	2-3	AG520093	9-7	AG520944	14-15
AG518676	13-3	AG520125	10-4	AG520949	7-2
AG518707	9-2	AG520140	9-14	AG520949	7-33
AG518884	10-4	AG520140	9-16	AG520962	13-1
AG518945	2-4	AG520140	9-7	AG520962	13-11
AG518967	10-4	AG520209	1-9	AG520962	13-13
AG518972	5-39	AG520260	13-10	AG520962	13-3
AG518989	7-40	AG520260	8-3	AG520962	14-13
AG518989	9-12	AG520296	7-53	AG520964	6-3
AG518989	9-13	AG520303	7-9	AG521016	7-37
AG518989	9-17	AG520326	7-53	AG521016	9-6
AG519001	7-30	AG520326	9-2	AG521048	10-1
AG519113	1-17	AG520327	7-53	AG521048	10-10
AG519113	5-41	AG520347	9-6	AG521048	10-11
AG519114	5-17	AG520419	5-22	AG521140	5-39
AG519129	9-10	AG520420	5-22	AG521142	5-39
AG519190	13-10	AG520426	4-1	AG521173	1-9
AG519190	13-3	AG520428	5-22	AG521283	10-6
AG519190	13-9	AG520428	5-36	AG521342	10-9
AG519190	7-53	AG520559	7-53	AG521351	1-2

NUMERIC INDEX

AG521420	10-6	AG522562	10-8	AG523366	6-6
AG521525	7-45	AG522562	10-9	AG523368	1-17
AG521587	2-1	AG522562	14-1	AG523369	11-7
AG521587	3-1	AG522562	2-3	AG523407	13-3
AG521587	3-4	AG522572	10-9	AG523412	1-2
AG521587	5-40	AG522587	10-4	AG523432	1-17
AG521630	1-17	AG522588	10-4	AG523433	13-7
AG521657	10-5	AG522710	1-12	AG523433	13-8
AG521697	7-1	AG522719	1-12	AG523434	13-7
AG521728	9-14	AG522720	5-25	AG523434	13-8
AG521728	9-16	AG522722	2-1	AG523464	13-14
AG521728	9-7	AG522722	3-4	AG523464	13-19
AG521761	7-42	AG522723	2-1	AG523464	13-4
AG521761	7-43	AG522723	3-4	AG523508	13-19
AG521764	7-42	AG522730	5-39	AG523508	13-25
AG521764	7-43	AG522742	10-10	AG523508	13-4
AG521797	1-12	AG522742	10-11	AG523508	13-5
AG521934	6-1	AG522746	7-33	AG523542	13-1
AG521974	9-14	AG522746	7-56	AG523542	13-19
AG521974	9-16	AG522749	7-33	AG523542	13-2
AG521974	9-7	AG522749	7-56	AG523542	13-9
AG522183	4-2	AG522750	7-32	AG523549	13-5
AG522196	6-3	AG522750	7-33	AG523559	5-12
AG522196	6-7	AG522750	7-56	AG523559	5-9
AG522242	9-14	AG522751	7-33	AG523581	14-12
AG522242	9-16	AG522751	7-56	AG523590	14-4
AG522242	9-7	AG522754	7-33	AG523590	14-7
AG522244	13-21	AG522754	7-56	AG523663	2-2
AG522245	13-21	AG522756	7-33	AG523734	1-17
AG522246	13-19	AG522756	7-56	AG523771	14-2
AG522246	13-21	AG522757	7-32	AG523814	14-4
AG522246	13-4	AG522757	7-33	AG523814	14-7
AG522246	13-5	AG522757	7-56	AG523877	10-6
AG522247	13-19	AG522759	1-12	AG523919	4-2
AG522247	13-21	AG522855	1-17	AG523995	10-4
AG522247	13-4	AG522907	13-17	AG524075	3-6
AG522247	13-5	AG522989	1-12	AG524079	2-1
AG522356	2-1	AG522991	13-3	AG524079	3-1
AG522356	3-4	AG522992	13-3	AG524079	3-4
AG522357	2-1	AG522992	13-4	AG524111	2-1
AG522357	3-4	AG523061	13-12	AG524111	3-4
AG522364	5-25	AG523200	10-4	AG524123	13-26
AG522406	10-5	AG523200	13-10	AG524139	3-6
AG522425	7-48	AG523201	10-4	AG524140	3-6
AG522439	4-2	AG523201	13-10	AG524144	13-23
AG522453	4-2	AG523259	14-5	AG524266	2-2
AG522467	7-2	AG523259	14-6	AG524275	11-6
AG522467	7-33	AG523269	7-31	AG524291	8-3
AG522486	2-1	AG523269	7-47	AG524335	2-2
AG522486	3-1	AG523270	7-31	AG524341	13-21
AG522486	3-4	AG523270	7-47	AG524378	5-25
AG522487	7-37	AG523325	13-7	AG524420	2-2
AG522511	14-15	AG523326	13-7	AG524534	7-31
AG522525	7-33	AG523326	13-8	AG524534	7-47
AG522525	7-56	AG523329	2-3	AG524539	4-1
AG522530	2-2	AG523337	6-7	AG524540	4-1
AG522554	1-5	AG523340	13-7	AG524574	5-25
AG522555	1-7	AG523340	13-8	AG524575	11-5
AG522562	10-1	AG523363	6-6	AG550116	14-1

NUMERIC INDEX

AG550124	1-12	AG550264	2-4	AG550507	13-11
AG550124	2-3	AG550264	3-5	AG550507	13-13
AG550124	2-4	AG550264	5-38	AG550507	13-19
AG550124	3-5	AG550280	2-1	AG550507	13-2
AG550132	1-2	AG550280	2-2	AG550507	13-4
AG550167	11-8	AG550280	3-1	AG550507	13-5
AG550167	14-9	AG550280	3-4	AG550507	13-9
AG550175	14-15	AG550310	7-31	AG550507	14-16
AG550175	2-3	AG550310	7-47	AG550507	7-2
AG550175	5-38	AG550353	10-5	AG550507	7-33
AG550175	5-40	AG550353	1-12	AG550507	7-56
AG550175	7-46	AG550353	4-2	AG550507	9-12
AG550183	10-5	AG550353	5-44	AG550507	9-13
AG550183	10-6	AG550469	7-31	AG550507	9-17
AG550183	1-16	AG550469	7-47	AG550507	9-19
AG550183	13-4	AG550485	10-4	AG550515	10-5
AG550183	5-45	AG550485	10-5	AG550515	10-6
AG550191	10-5	AG550485	1-17	AG550515	1-17
AG550191	1-12	AG550485	13-10	AG550515	2-2
AG550191	1-17	AG550485	13-19	AG550515	4-1
AG550191	11-8	AG550485	13-23	AG550515	7-44
AG550191	13-23	AG550485	13-4	AG550612	10-4
AG550191	14-15	AG550485	13-9	AG550612	13-10
AG550191	14-9	AG550485	2-4	AG550612	13-11
AG550191	2-3	AG550485	3-5	AG550612	13-13
AG550191	3-5	AG550485	5-40	AG550612	13-19
AG550191	4-1	AG550485	6-7	AG550612	13-2
AG550191	5-25	AG550485	7-46	AG550612	13-4
AG550191	5-38	AG550485	9-12	AG550612	13-5
AG550191	7-44	AG550485	9-13	AG550612	13-9
AG550191	7-46	AG550485	9-17	AG550612	14-16
AG550205	1-16	AG550493	10-4	AG550612	2-4
AG550205	1-2	AG550493	1-17	AG550612	3-5
AG550205	2-3	AG550493	13-10	AG550612	5-40
AG550205	4-2	AG550493	13-11	AG550612	6-7
AG550205	5-14	AG550493	13-13	AG550612	7-2
AG550205	5-38	AG550493	13-19	AG550612	7-32
AG550205	5-48	AG550493	13-2	AG550612	7-33
AG550205	5-8	AG550493	13-23	AG550612	7-56
AG550205	6-3	AG550493	13-4	AG550655	5-38
AG550205	6-7	AG550493	13-5	AG550671	6-7
AG550205	8-1	AG550493	13-9	AG550698	13-11
AG550205	9-12	AG550493	14-16	AG550698	13-2
AG550205	9-13	AG550493	2-4	AG550698	13-4
AG550205	9-17	AG550493	3-5	AG550698	14-16
AG550213	2-3	AG550493	5-40	AG550698	7-32
AG550213	4-2	AG550493	6-7	AG550698	7-46
AG550213	5-48	AG550493	7-2	AG550698	9-19
AG550213	6-3	AG550493	7-32	AG550779	1-17
AG550213	6-7	AG550493	7-33	AG550779	2-2
AG550213	8-1	AG550493	7-46	AG550809	14-17
AG550213	9-3	AG550493	7-56	AG550817	10-5
AG550248	1-12	AG550493	9-12	AG550825	1-12
AG550256	2-3	AG550493	9-13	AG550825	2-3
AG550256	2-4	AG550493	9-17	AG550825	7-44
AG550264	10-5	AG550507	10-5	AG550833	5-45
AG550264	1-12	AG550507	1-17	AG550906	6-7
AG550264	1-2	AG550507	1-3	AG550922	13-10
AG550264	2-3	AG550507	13-10	AG550922	1-6

NUMERIC INDEX

AG550922	1-8	AG552186	5-45	AG557692	7-31
AG550930	13-10	AG552291	14-10	AG557692	7-47
AG550981	2-1	AG552429	5-19	AG558699	7-32
AG550981	3-1	AG552445	6-7	AG558788	13-13
AG550981	3-4	AG552461	4-2	AG558788	13-4
AG551007	10-9	AG552488	1-17	AG558788	13-5
AG551007	1-12	AG552860	6-3	AG558788	7-2
AG551007	1-16	AG552860	6-7	AG558788	7-33
AG551007	14-15	AG553530	6-7	AG558788	7-56
AG551007	2-2	AG553557	1-11	AG558869	1-12
AG551007	2-3	AG553557	13-16	AG559083	2-1
AG551007	4-2	AG553557	13-17	AG559083	3-4
AG551007	5-40	AG553557	13-18	AG559105	2-3
AG551007	5-44	AG553557	13-23	AG559237	1-17
AG551007	7-44	AG553557	13-26	AG559237	14-4
AG551015	10-5	AG553557	9-12	AG559237	14-5
AG551015	10-6	AG553557	9-13	AG559237	14-6
AG551015	10-9	AG553557	9-17	AG559237	14-7
AG551015	2-3	AG553557	9-2	AG559415	1-2
AG551015	4-1	AG553662	5-40	AG559768	5-14
AG551015	4-2	AG553891	5-17	AG559768	5-48
AG551015	8-1	AG553891	5-41	AG560219	14-1
AG551015	9-12	AG553956	1-12	AG560278	13-24
AG551015	9-13	AG554138	13-20	AG560278	5-20
AG551015	9-17	AG554154	13-20	AG560278	5-4
AG551058	2-1	AG554154	7-38	AG560278	7-45
AG551058	3-1	AG554189	13-20	AG560456	14-5
AG551058	3-4	AG554189	7-38	AG560456	14-6
AG551112	1-17	AG554278	13-1	AG560553	7-50
AG551112	5-18	AG554278	13-10	AG560693	5-12
AG551112	5-5	AG554278	13-11	AG560693	5-15
AG551112	7-45	AG554278	13-13	AG560693	5-17
AG551139	4-1	AG554278	13-9	AG560693	5-37
AG551139	5-25	AG554308	5-14	AG560693	5-9
AG551139	5-41	AG554308	5-48	AG560707	14-3
AG551139	7-45	AG554855	10-6	AG560766	1-2
AG551201	4-2	AG554898	7-50	AG560766	5-32
AG551252	2-3	AG554944	13-20	AG560899	4-1
AG551252	5-14	AG555045	6-7	AG560899	5-17
AG551252	5-38	AG555290	14-2	AG560899	5-41
AG551252	5-8	AG555290	6-7	AG560900	1-17
AG551252	6-3	AG555398	1-2	AG561025	1-2
AG551252	6-7	AG555452	7-50	AG561025	14-1
AG551252	8-1	AG555509	5-41	AG561025	4-1
AG551287	13-1	AG555843	7-31	AG561025	4-2
AG551287	13-11	AG555843	7-47	AG561067	5-48
AG551287	13-13	AG556580	14-2	AG561072	5-40
AG551287	9-6	AG556580	6-7	AG561081	5-45
AG551392	10-5	AG557307	5-45	AG561082	5-30
AG551406	10-2	AG557617	6-7	AG561169	5-41
AG551503	10-5	AG557668	14-3	AG561203	1-12
AG551503	13-23	AG557676	10-9	AG561203	3-5
AG551503	2-3	AG557676	1-9	AG561209	7-42
AG551503	3-5	AG557676	2-1	AG561209	7-43
AG551503	5-25	AG557676	2-2	AG561210	1-16
AG551627	6-2	AG557676	3-1	AG561213	1-2
AG551864	14-1	AG557676	3-4	AG561215	1-12
AG552127	1-12	AG557676	7-32	AG561216	1-9
AG552186	5-41	AG557692	2-2	AG561229	14-1

NUMERIC INDEX

AG561240	1-9	AG561952	14-4	AG562061	9-14
AG561253	1-9	AG561952	14-5	AG562061	9-16
AG561262	14-17	AG561952	14-6	AG562061	9-7
AG561288	1-17	AG561952	14-7	AG562062	13-21
AG561289	1-17	AG562009	5-37	AG562064	3-6
AG561304	1-17	AG562013	10-9	AG562064	6-7
AG561308	3-3	AG562045	13-21	AG562065	1-2
AG561308	4-1	AG562046	10-1	AG562065	13-12
AG561308	5-18	AG562046	13-21	AG562065	14-1
AG561308	5-37	AG562046	7-31	AG562065	1-9
AG561317	5-41	AG562046	7-47	AG562065	9-12
AG561360	5-23	AG562046	7-50	AG562065	9-13
AG561365	5-41	AG562047	13-21	AG562065	9-14
AG561391	1-17	AG562047	9-12	AG562065	9-16
AG561391	5-20	AG562047	9-13	AG562065	9-17
AG561391	5-37	AG562047	9-14	AG562065	9-7
AG561400	13-23	AG562047	9-16	AG562066	13-1
AG561461	5-32	AG562047	9-17	AG562066	13-10
AG561488	5-40	AG562047	9-2	AG562066	14-13
AG561489	5-40	AG562047	9-7	AG562066	9-14
AG561617	2-2	AG562048	10-8	AG562066	9-16
AG561617	2-3	AG562048	10-9	AG562066	9-7
AG561617	7-44	AG562048	1-16	AG562067	10-4
AG561629	5-37	AG562048	1-2	AG562067	13-1
AG561659	1-17	AG562048	13-12	AG562067	14-13
AG561665	14-4	AG562048	1-9	AG562067	9-12
AG561665	14-5	AG562048	2-3	AG562067	9-13
AG561665	14-6	AG562049	14-1	AG562067	9-14
AG561665	14-7	AG562049	7-31	AG562067	9-16
AG561677	1-17	AG562049	7-47	AG562067	9-17
AG561677	5-41	AG562049	7-50	AG562067	9-7
AG561679	7-50	AG562049	9-12	AG562070	13-1
AG561683	1-12	AG562049	9-13	AG562070	14-13
AG561744	1-17	AG562049	9-17	AG562070	9-14
AG561780	6-7	AG562050	10-2	AG562070	9-16
AG561793	9-12	AG562050	1-2	AG562070	9-7
AG561793	9-13	AG562050	13-12	AG562072	1-2
AG561793	9-17	AG562050	14-1	AG562072	9-12
AG561797	1-17	AG562050	14-5	AG562072	9-13
AG561797	5-25	AG562050	14-6	AG562072	9-17
AG561804	7-31	AG562050	1-9	AG562073	10-3
AG561804	7-47	AG562050	9-12	AG562073	10-8
AG561828	5-12	AG562050	9-13	AG562073	1-16
AG561828	5-9	AG562050	9-14	AG562073	1-2
AG561867	4-2	AG562050	9-16	AG562073	14-1
AG561874	7-32	AG562050	9-17	AG562073	1-9
AG561879	5-41	AG562050	9-7	AG562073	2-3
AG561879	5-45	AG562051	10-2	AG562073	5-21
AG561884	12-1	AG562051	14-1	AG562073	5-7
AG561895	7-50	AG562051	7-31	AG562074	10-2
AG561895	9-12	AG562051	7-47	AG562074	13-21
AG561895	9-13	AG562051	7-50	AG562074	14-3
AG561895	9-17	AG562053	13-21	AG562074	7-50
AG561896	9-10	AG562054	10-4	AG562076	10-2
AG561897	9-10	AG562054	9-12	AG562076	13-21
AG561905	9-14	AG562054	9-13	AG562076	14-3
AG561905	9-16	AG562054	9-17	AG562081	10-3
AG561905	9-7	AG562054	9-3	AG562081	9-14
AG561952	13-12	AG562061	10-3	AG562081	9-16

NUMERIC INDEX

AG562081	9-3	AG562463	1-9	AG601411	10-6
AG562081	9-7	AG562485	7-14	AG601411	10-9
AG562082	10-3	AG562490	2-2	AG601411	14-15
AG562082	11-10	AG562513	1-17	AG601411	4-2
AG562082	11-9	AG562568	5-45	AG601888	10-6
AG562082	13-17	AG562584	2-2	AG601888	10-9
AG562082	14-4	AG562611	13-22	AG601888	4-2
AG562082	14-7	AG562644	7-50	AG602124	7-50
AG562090	10-2	AG562693	6-1	AG604110	6-7
AG562090	14-1	AG562707	13-22	AG604115	13-20
AG562090	14-12	AG562709	1-17	AG604167	10-3
AG562090	14-3	AG562780	1-17	AG604167	1-2
AG562090	7-50	AG562793	13-26	AG604167	9-12
AG562090	9-12	AG562892	13-3	AG604167	9-13
AG562090	9-13	AG562892	13-9	AG604167	9-17
AG562090	9-17	AG562925	9-14	AG604184	2-2
AG562120	10-2	AG562925	9-16	AG604203	10-2
AG562120	1-2	AG562925	9-7	AG604216	10-4
AG562121	1-17	AG562928	9-14	AG604216	13-4
AG562123	10-3	AG562928	9-16	AG604414	13-17
AG562123	1-16	AG562928	9-7	AG604416	10-1
AG562123	5-7	AG562929	9-14	AG604418	13-6
AG562127	10-3	AG562929	9-16	AG604418	7-52
AG562127	13-17	AG562929	9-7	AG606258	1-12
AG562130	13-10	AG562930	9-14	AG606267	7-44
AG562130	14-13	AG562930	9-16	AG606489	2-3
AG562148	14-16	AG562930	9-7	AG606730	10-1
AG562159	10-3	AG562931	9-14	AG606808	1-9
AG562159	5-7	AG562931	9-16	AG607237	8-2
AG562204	3-3	AG562931	9-7	AG607298	7-49
AG562204	5-18	AG562933	9-14	AG607312	10-1
AG562204	5-19	AG562933	9-16	AG607312	10-10
AG562237	6-7	AG562933	9-7	AG607312	10-11
AG562237	9-12	AG562938	13-10	AG607312	9-14
AG562237	9-13	AG563016	7-44	AG607312	9-16
AG562237	9-17	AG563094	11-10	AG607312	9-7
AG562251	13-6	AG563094	11-9	AG609084	10-1
AG562251	7-53	AG563094	9-14	AG609084	10-8
AG562251	9-2	AG563094	9-16	AG609084	10-9
AG562265	7-32	AG563094	9-7	AG609084	14-1
AG562271	1-12	AG563099	1-3	AG609311	2-3
AG562271	1-9	AG563127	2-2	AG609312	2-3
AG562272	7-44	AG563174	13-3	AG609313	2-3
AG562285	4-2	AG563175	13-3	AG609313	6-3
AG562308	9-3	AG563176	10-4	AG609313	7-31
AG562323	9-10	AG563176	9-12	AG609313	7-47
AG562327	9-12	AG563176	9-13	AG609314	2-3
AG562327	9-13	AG563176	9-17	AG609418	5-22
AG562327	9-17	AG563185	9-12	AG609418	5-36
AG562330	6-6	AG563185	9-13	AG609459	5-22
AG562372	5-45	AG563185	9-17	AG609554	7-9
AG562375	7-44	AG600008	10-6	AG609555	7-41
AG562388	10-1	AG600016	10-3	AG609555	7-9
AG562390	1-17	AG600849	1-9	AG609556	7-41
AG562393	5-45	AG600857	1-9	AG609556	7-9
AG562401	1-17	AG601152	10-5	AG609557	7-41
AG562401	14-1	AG601152	4-2	AG609557	7-9
AG562401	5-5	AG601152	5-44	AG609645	9-14
AG562438	14-15	AG601225	10-6	AG609645	9-16

NUMERIC INDEX

AG609645	9-7	AG712814	7-4	AG713669	5-22
AG609681	6-3	AG712815	7-5	AG713670	5-22
AG609681	6-7	AG712816	7-6	AG713670	5-29
AG609682	6-3	AG712864	7-11	AG713670	5-36
AG609682	6-7	AG712868	7-29	AG713895	7-22
AG609683	6-3	AG712869	7-29	AG713924	7-30
AG609683	6-7	AG712870	7-30	AG713925	7-30
AG609797	6-3	AG712871	7-11	AG713936	7-22
AG609798	6-3	AG712925	5-16	AG713936	7-27
AG609855	10-1	AG713009	7-27	AG713936	7-28
AG610106	6-5	AG713011	7-27	AG713938	7-22
AG610399	13-20	AG713196	7-10	AG714060	7-54
AG610401	9-5	AG713265	5-45	AG714061	7-54
AG610420	1-10	AG713281	5-28	AG714062	7-50
AG610616	13-7	AG713288	5-26	AG714062	7-54
AG610616	13-8	AG713288	5-27	AG714063	7-54
AG610617	13-10	AG713322	7-28	AG714064	7-11
AG610619	13-10	AG713323	7-28	AG714064	7-54
AG610620	13-10	AG713339	7-17	AG714065	7-54
AG610621	13-10	AG713340	7-17	AG714066	7-24
AG610624	13-10	AG713343	7-17	AG714067	7-54
AG610649	14-8	AG713344	7-17	AG714068	7-23
AG610650	14-8	AG713354	7-10	AG714069	7-21
AG610651	14-8	AG713355	7-26	AG714069	7-23
AG610652	14-8	AG713356	7-26	AG714069	7-24
AG610653	14-8	AG713359	7-5	AG714070	7-23
AG610654	14-8	AG713361	7-5	AG714071	7-23
AG610655	14-8	AG713363	7-28	AG714073	7-18
AG610656	14-8	AG713364	7-28	AG714073	7-25
AG610657	14-8	AG713365	7-28	AG714257	1-17
AG610658	14-8	AG713366	7-28	AG714257	5-33
AG610787	13-17	AG713367	7-28	AG714257	5-34
AG610787	13-18	AG713369	7-28	AG714257	5-35
AG610788	13-18	AG713371	7-27	AG714325	7-8
AG610789	13-17	AG713372	7-27	AG714562	7-8
AG610878	5-24	AG713373	7-27	AG714610	7-30
AG700080	7-2	AG713374	7-27	AG714621	7-11
AG700080	7-33	AG713375	7-27	AG714803	7-29
AG704540	8-1	AG713376	7-27	AG714806	5-30
AG708307	1-17	AG713382	7-24	AG715270	5-26
AG712291	5-26	AG713382	7-54	AG715270	5-27
AG712291	5-27	AG713398	10-6	AG715270	5-28
AG712292	5-26	AG713408	7-12	AG715271	5-26
AG712292	5-27	AG713409	7-12	AG715271	5-27
AG712294	5-28	AG713410	7-12	AG715297	5-26
AG712789	7-14	AG713411	7-12	AG715297	5-27
AG712790	7-14	AG713412	7-11	AG715300	5-26
AG712791	7-3	AG713454	7-6	AG715300	5-27
AG712793	7-14	AG713497	5-26	AG715301	5-26
AG712794	7-3	AG713497	5-27	AG715301	5-27
AG712799	7-25	AG713497	5-28	AG715302	5-26
AG712800	7-11	AG713517	5-26	AG715302	5-27
AG712803	7-30	AG713517	5-27	AG715303	5-26
AG712806	7-30	AG713517	5-28	AG715303	5-27
AG712807	7-30	AG713520	5-26	AG715304	5-26
AG712812	7-4	AG713520	5-27	AG715304	5-27
AG712812	7-6	AG713525	5-28	AG715305	5-26
AG712812	7-8	AG713603	7-10	AG715305	5-27
AG712813	7-5	AG713635	7-4	AG715325	5-26

NUMERIC INDEX

AG715325	5-27	AG717862	7-28	AG724359	7-29
AG715327	5-26	AG717882	7-13	AG724359	7-30
AG715327	5-27	AG717883	7-9	AG724582	1-4
AG715329	5-26	AG717894	7-9	AG725277	5-28
AG715329	5-27	AG717903	7-4	AG725278	5-28
AG715330	5-28	AG719089	7-8	AG725279	5-28
AG715331	5-26	AG719114	7-8	AG725280	5-28
AG715331	5-27	AG719617	9-8	AG725281	5-28
AG715331	5-28	AG719617	9-9	AG725282	5-28
AG715335	5-26	AG719845	7-8	AG725283	5-28
AG715335	5-27	AG719970	7-4	AG725284	5-28
AG715336	5-26	AG721040	9-1	AG725285	5-28
AG715336	5-27	AG721700	7-3	AG725286	5-28
AG715337	5-26	AG721837	7-32	AG725289	5-28
AG715337	5-27	AG721853	7-32	AG725290	5-28
AG715337	5-28	AG721857	7-32	AG725292	5-28
AG715486	5-22	AG721858	7-32	AG725548	7-29
AG715488	5-22	AG722592	7-32	AG725549	7-14
AG715567	5-6	AG722601	5-34	AG725549	7-29
AG715570	5-6	AG722601	5-35	AG725614	7-32
AG715571	5-6	AG722647	7-29	AG725615	7-32
AG715586	5-30	AG723373	7-14	AG725624	7-32
AG715586	5-46	AG723380	6-5	AG725625	7-32
AG715605	5-26	AG723382	6-5	AG725630	7-32
AG715605	5-27	AG723383	6-5	AG725737	5-28
AG715624	5-28	AG723384	6-5	AG726285	5-28
AG715792	7-28	AG723385	6-5	AG726286	5-28
AG715796	7-28	AG723386	6-5	AG726289	5-28
AG716177	5-22	AG723392	7-28	AG726290	5-28
AG716493	7-24	AG723397	7-28	AG726292	5-28
AG716527	5-28	AG723398	7-28	AG726301	5-28
AG716746	7-19	AG723449	5-46	AG726304	5-28
AG716762	7-29	AG723837	5-26	AG726328	5-28
AG716784	7-19	AG723837	5-27	AG726329	5-28
AG716785	7-19	AG723843	5-28	AG726330	5-28
AG716810	5-6	AG723844	5-28	AG726331	5-28
AG716814	5-6	AG723845	5-28	AG726332	5-28
AG716945	7-4	AG723846	5-28	AG726333	5-28
AG716955	7-9	AG723847	5-28	AG726334	5-28
AG716958	7-54	AG723848	5-28	AG726335	5-28
AG716962	7-27	AG723853	5-28	AG726336	5-28
AG716964	7-4	AG723854	5-28	AG726337	5-28
AG717097	5-28	AG723855	5-28	AG726338	5-28
AG717101	5-28	AG723856	5-28	AG726339	5-28
AG717105	5-26	AG723863	5-28	AG726340	5-28
AG717105	5-27	AG723864	5-28	AG726341	5-28
AG717106	5-26	AG723865	5-28	AG726342	5-28
AG717106	5-27	AG723870	5-28	AG726343	5-28
AG717107	5-26	AG723949	5-28	AG726344	5-28
AG717107	5-27	AG723962	5-28	AG726345	5-28
AG717110	5-26	AG723964	5-28	AG726346	5-28
AG717110	5-27	AG723967	5-28	AG726347	5-28
AG717111	5-26	AG723968	5-28	AG726348	5-28
AG717111	5-27	AG723969	5-28	AG726349	5-28
AG717112	5-26	AG723972	5-28	AG726350	5-28
AG717112	5-27	AG723974	5-28	AG726351	5-28
AG717116	5-26	AG723977	5-28	AG726352	5-28
AG717116	5-27	AG723979	5-28	AG726353	5-28
AG717120	5-28	AG724194	7-29	AG726354	5-28

NUMERIC INDEX

AG726358	5-28	AG727521	1-6
AG726378	5-28	AG727521	1-8
AG726926	7-24	AG727522	1-6
AG726927	7-24	AG727522	1-8
AG726962	5-28	AG727523	1-6
AG726963	5-28	AG727523	1-8
AG726964	5-28	AG727524	1-6
AG726999	7-32	AG727524	1-8
AG727000	7-32	AG727526	1-6
AG727001	7-32	AG727526	1-8
AG727002	7-32	AG727527	1-6
AG727003	7-32	AG727527	1-8
AG727004	7-32	AG727528	1-6
AG727021	7-32	AG727528	1-8
AG727022	7-32	AG727529	1-6
AG727023	7-32	AG727529	1-8
AG727024	7-32	AG727530	1-6
AG727025	7-32	AG727530	1-8
AG727039	7-32	AG727531	1-6
AG727046	7-14	AG727531	1-8
AG727112	5-13	AG727532	1-6
AG727152	5-26	AG727532	1-8
AG727152	5-27	AG727533	1-6
AG727153	5-26	AG727533	1-8
AG727153	5-27	AG727535	1-6
AG727154	5-26	AG727535	1-8
AG727154	5-27	AG727623	7-30
AG727155	5-26	AG727624	7-30
AG727155	5-27	AG727625	7-30
AG727156	5-26	AG727626	7-16
AG727156	5-27	AG727627	7-15
AG727212	5-28	AG727628	7-15
AG727297	5-34	AG727629	7-15
AG727297	5-35	AG727631	7-15
AG727418	7-54	AG727632	7-15
AG727508	1-6	AG831500	5-41
AG727508	1-8	AG844463	10-10
AG727509	1-6	AG844463	10-11
AG727509	1-8	CH148-8378	1-17
AG727510	1-6	WR11494	9-19
AG727510	1-8	WR21390	5-46
AG727511	1-6	WR21490	5-46
AG727511	1-8	WR22063	5-46
AG727512	1-6	WR34676	5-46
AG727512	1-8	WR51424	7-28
AG727513	1-6	WR55070	13-26
AG727513	1-8	WR55102	13-26
AG727514	1-6	WR55104	13-26
AG727514	1-8	WR55233	10-4
AG727515	1-6	WR55247	5-14
AG727515	1-8	WR55247	5-8
AG727517	1-6		
AG727517	1-8		
AG727518	1-6		
AG727518	1-8		
AG727519	1-6		
AG727519	1-8		
AG727520	1-6		
AG727520	1-8		



AGCO Corporation
4205 River Green Parkway
Duluth, GA 30096-2568

©AGCO Corporation, 2006
Printed in U.S.A.