

ROW CROP CHASSIS

PARTS CATALOG

AG-CHEM

**1286C ROGATOR CHASSIS (EFF S/N ..Sxx1001 / EFF
S/N ..Txx1001)**

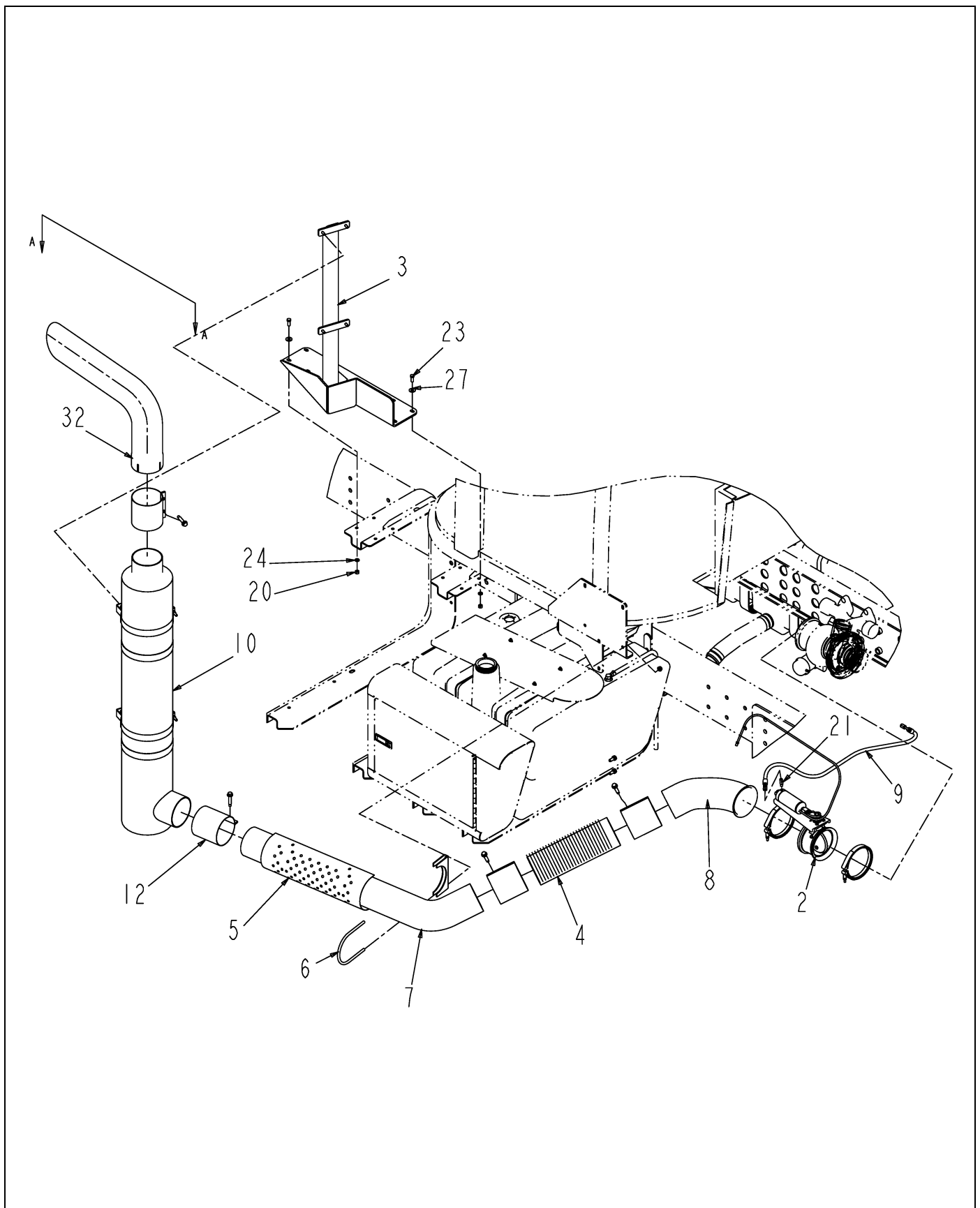
512942D1 B

June 2007

ENGINE GROUP	1
FRAME AND SUSPENSION GROUP	2
AXLE AND STEERING GROUP	3
FUEL SYSTEM GROUP	4
HYDRAULIC GROUP	5
AIR SYSTEM GROUP	6
CAB GROUP	7
AIR CONDITIONING AND HEATING GROUP	8
ELECTRICAL GROUP	9
LIGHTING GROUP	10
APPEARANCE GROUP	11
TIRE AND WHEEL GROUP	12
DECAL GROUP	13
GUIDANCE GROUP	14
OPTIONS GROUP	15

EXHAUST SYSTEM GROUP	1-1
EXHAUST SYSTEM GROUP	1-2
KIT-BRAKE ASM EXHAUST	1-3
KIT-PAC BRAKE REMOTE BREATHER	1-4
EXHAUST SYSTEM GROUP	1-5
KIT-BRAKE,EXHAUST 100MM	1-6
BRAKE ASM-EXHAUST	1-7
ENGINE-INSTALLATION-311HP	1-8
ENGINE-INSTALLATION-311HP	1-9
ENGINE INSTL, TIER 3 C9, 311HP	1-10
ENGINE INSTL, TIER 3 C9, 311HP	1-11
CAT C9 TIER 3 ENGINE, 311 HP	1-12
MNFLD-FILTER,REMOTE FUEL	1-13
ENGINE-CAT CP TIER3,311HP	1-14
ALTERNATOR INSTL-160 AMP	1-15
ALTERNATOR-160 AMP	1-16
ALT/BELT INSTL-160AMP	1-17
ALTERNATOR INSTL-200 AMP	1-18
ALTERNATOR-200 AMP	1-19
ALT/BELT INSTL-200AMP	1-20
INST-AIR INTAKE SYSTEM	1-21
AIR CLEANER-15.00 DIA	1-22
COOLING PACKAGE INSTALLATION	1-23
COOLING PACKAGE INSTALLATION	1-24
COOLING PACKAGE INSTALLATION	1-25
COOLING PACKAGE INSTALLATION	1-26
COOLER ASM-RAD/CAC/HOC	1-27
TANK-DEARATION	1-28
DRIVE SYSTEM INSTL	1-29
DRIVE SYSTEM INSTL	1-30
DRIVE SYSTEM INSTL	1-31
PUMP-TANDEM,SAUER,100CC X2	1-32
PUMP-HYD,FRONT HYDRO	1-33
PUMP-HYD,FRONT HYDRO	1-34
PUMP-HYD,FRONT HYDRO	1-35
PUMP-HYD,FRONT HYDRO	1-36
PUMP-HYD,FRONT HYDRO	1-37
PUMP-HYD,FRONT HYDRO	1-38
PUMP-HYD,REAR HYDRO	1-39
PUMP-HYD,REAR HYDRO	1-40
PUMP-HYD,REAR HYDRO	1-41
PUMP-HYD,REAR HYDRO	1-42
PUMP-HYD,REAR HYDRO	1-43
PUMP-HYD,REAR HYDRO	1-44
PUMP-HYD,25CC PC,B PAD	1-45
PUMP-HYD,25CC PC,B PAD	1-46

EXHAUST SYSTEM GROUP

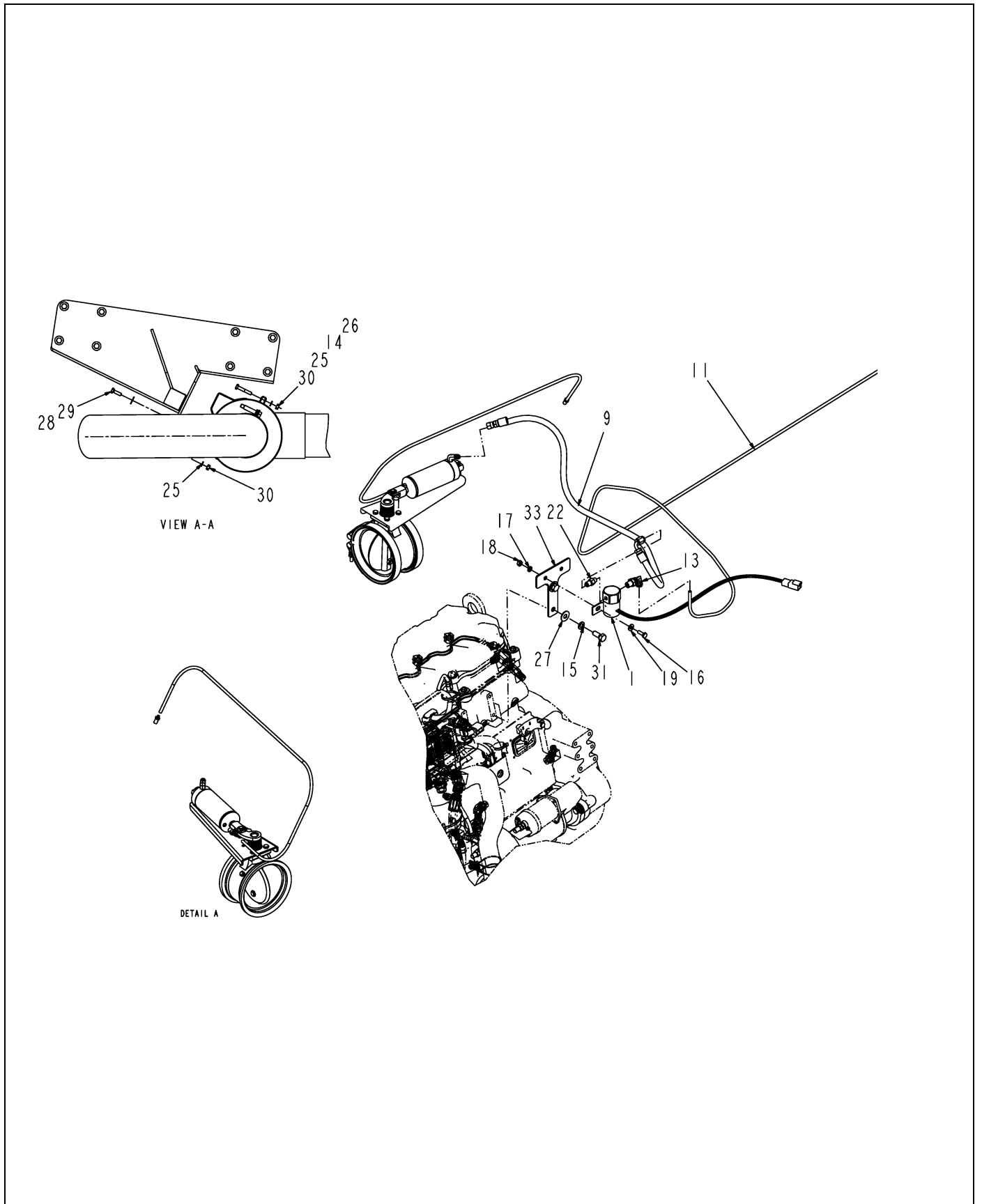


517310D1-02-R142-01.TIF

EXHAUST SYSTEM GROUP

ITEM	PART #	QTY	DESCRIPTION	COMMENTS
1	AG125078	1	SOLENOID-RWK,EXH BRAKE	SEE PAGE 6-13
2	AG126394	1	KIT-BRKE ASM EXHST R/B518880D1	SEE PAGE 1-3
3	AG130091	1	BRACKET WLDMT-MTG, MUFFLER	
4	AG130233	1	TUBE-FLEX,EXHAUST	
5	AG130241	1	GUARD-EXHAUST,5.00 WITH RINGS	
6	AG130245	1	CLAMP-MUFFLER,5.00	
7	AG130375	1	TUBE-EXHAUST,5.00 OD	
8	AG130376	1	TUBE-EXHAUST,TURBO	
9	AG130411	1	HOSE ASM-4X40 FJS90/FJS	
10	AG421109	1	MUFFLER-EXHAUST	
12	AG516637	4	CLAMP EXHAUST 5.00	
20	AG550825	8	NUT 0.37-16NC HEX ZN REG	
21	AG552445	1	ELBOW -2MP90 X -4MJ	
23	AG562048	8	BOLT 0.37-16NCX 1.00 S.S. HHD	
24	AG562050	8	WASHER 0.37 LK SS REG	
27	AG562073	10	WASHER 0.37 FL SS REG TYPE-B	
32	507784D1	1	STACK-EXHAUST,BENT,5.00 IN	

EXHAUST SYSTEM GROUP

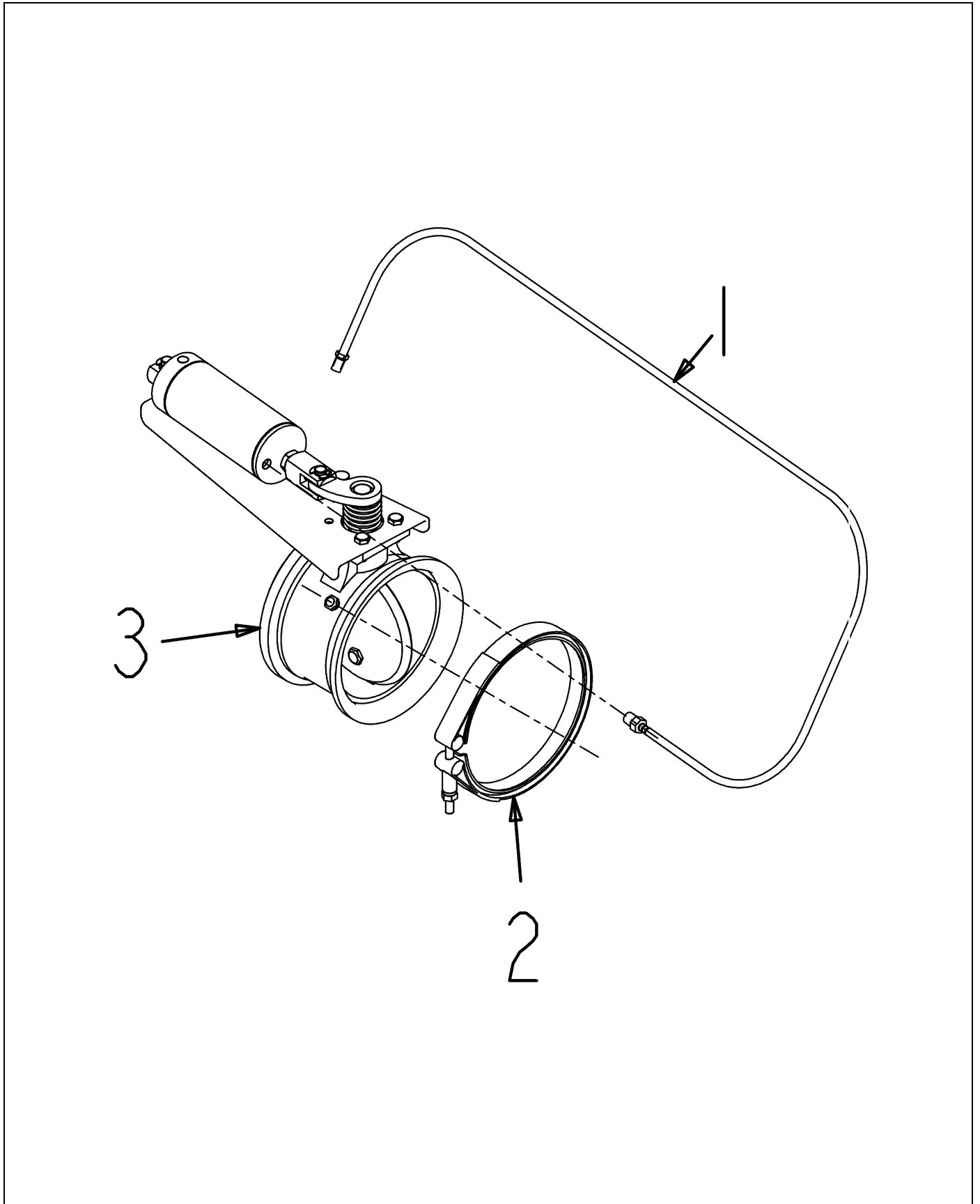


517310D1-02-R142-02.TIF

EXHAUST SYSTEM GROUP

ITEM	PART #	QTY	DESCRIPTION	COMMENTS
9	AG130411	1	HOSE ASM-4X40 FJS90/FJS	
11	AG511021	-	TUBING 0.25 OD NYLON BLACK [BULK: 9.500 FT]	
13	AG516642	1	ELBOW 90D 0.25TUBE X0.12NPT	
14	AG520940	2	BAND-MOUNTING	
15	AG523466	2	WASHER-LK,10MM,SS,REG	
16	AG550485	2	BOLT 0.25-20NCX 0.75 G5 ZN HHD	
17	AG550493	2	WASHER 0.25 LK ZN REG	
18	AG550612	2	NUT 0.25-20NC HEX ZN REG	
19	AG550671	2	WASHER 0.25 FL ZN SAE TYPE-A	
22	AG553530	1	ADAP STR -2MP X -4MJ	
25	AG562051	6	WASHER 0.31 LK SS REG	
26	AG562071	2	BOLT 0.31-18NCX 1.75 SS HHD	
27	AG562073	10	WASHER 0.37 FL SS REG TYPE-B	
28	AG562074	4	WASHER 0.31 FL SS REG TYPE-B	
29	AG562076	4	BOLT 0.31-18NCX 1.00 SS HHD	
30	AG562090	6	NUT 0.31-18NC HEX SS REG	
31	400039X1	2	BOLT-M10X1.5X25 ZNDI HHD 10.9	
33	517311D1	1	BRKT-EX. BRAKE SOLENOID	

KIT-BRAKE ASM EXHAUST

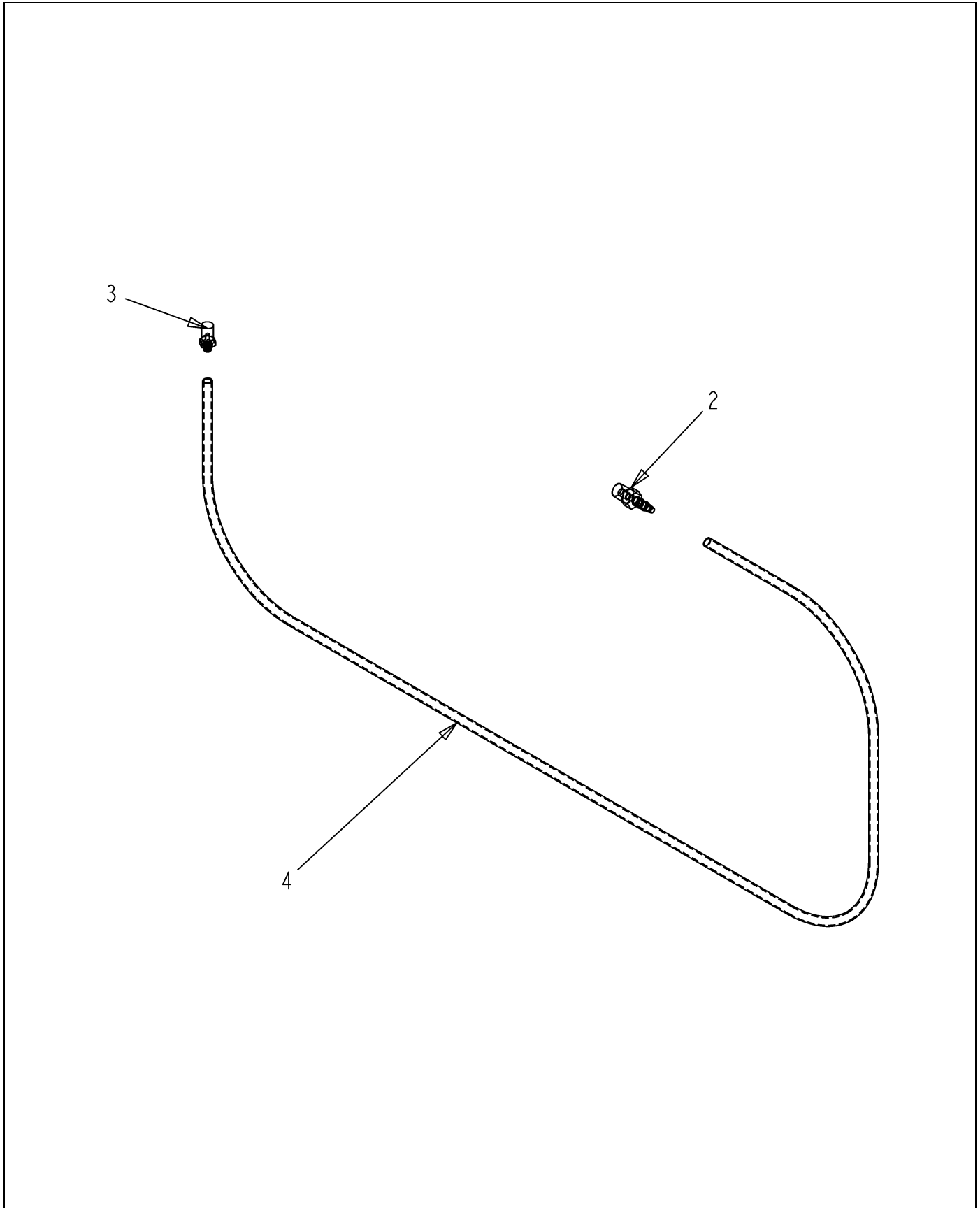


126394-02-M758.TIF

KIT-BRAKE ASM EXHAUST

ITEM	PART #	QTY	DESCRIPTION	COMMENTS
1	AG126395	1	KIT-PAC BRAKE REMOTE BREATHER	SEE PAGE 1-4
2	AG130374	1	CLAMP-V BAND,EXHAUST,WIDE	
3	AG130408	1	BRAKE ASM-EXHAUST	SEE PAGE 1-7
4	505571D1 FOOTNOTE	-	LUBRICANT-EXHAUST BRAKE 4OZ. AG130410 AIR CYLINDER ONLY	

KIT-PAC BRAKE REMOTE BREATHER

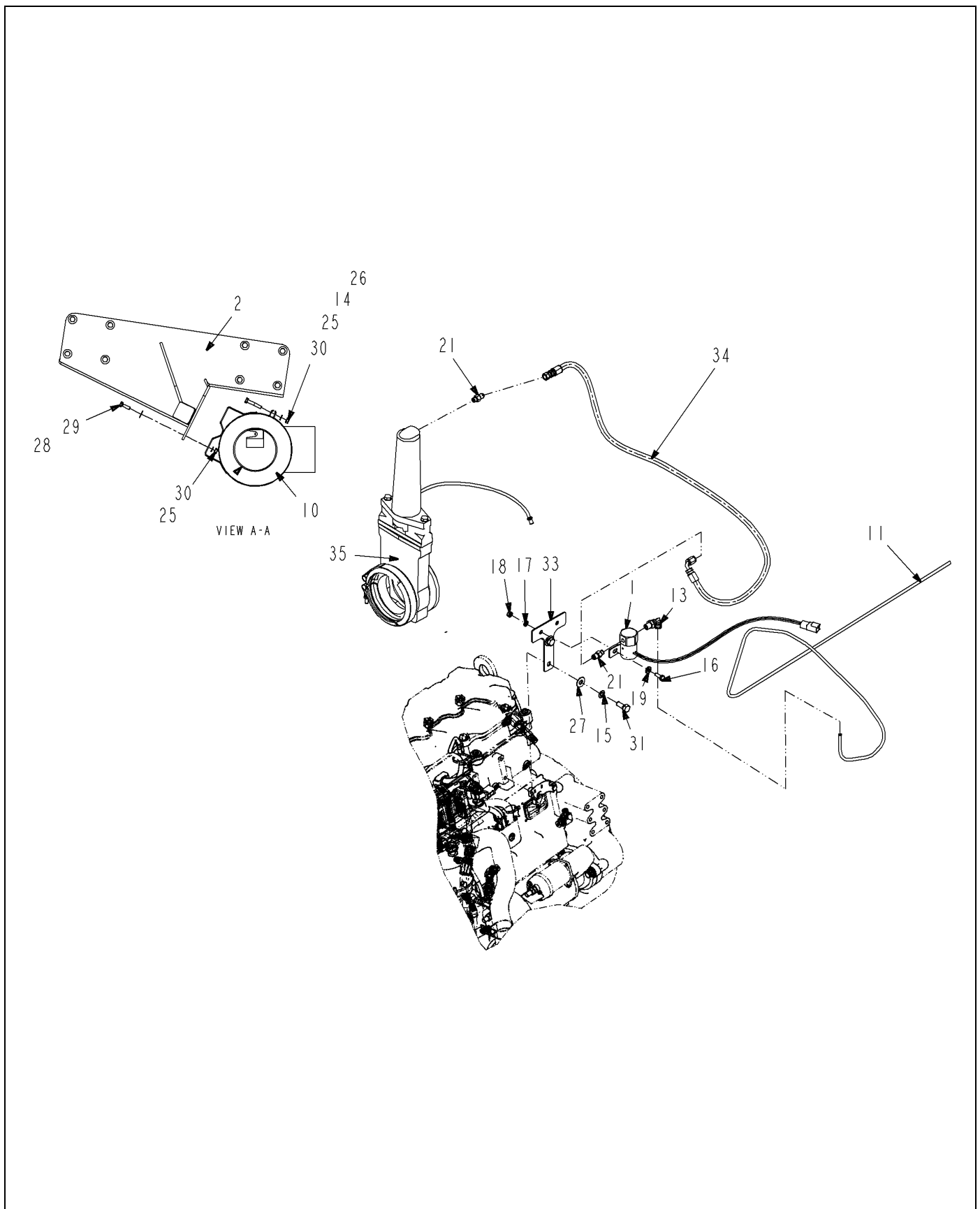


126395-A-1.TIF

KIT-PAC BRAKE REMOTE BREATHER

ITEM	PART #	QTY	DESCRIPTION	COMMENTS
1	AG553557	3	TIE CABLE 7.37 .06-1.37 BLACK	
2	AG126396	1	ADAPTR STR 10-32X.125 HOSE BRB	
3	AG126397	1	BREATHER #10-32,PAC BRAKE	
4	AG516193	-	HOSE 0.18IDX0.49OD [BULK: 3 FT]	

EXHAUST SYSTEM GROUP

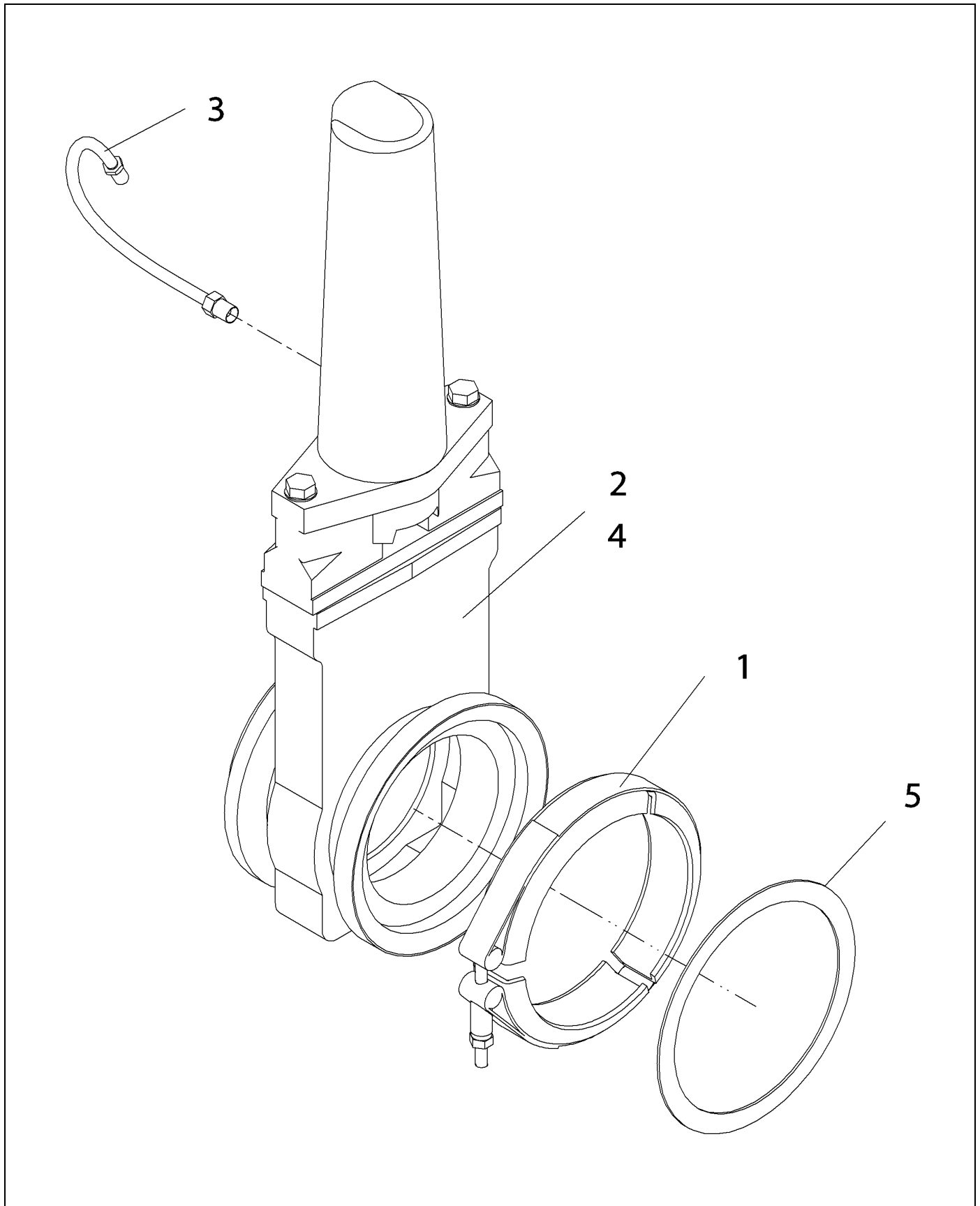


518879D1-01-R258-02.TIF

EXHAUST SYSTEM GROUP

ITEM	PART #	QTY	DESCRIPTION	COMMENTS
1	AG125078	1	SOLENOID-RWK,EXH BRAKE	SEE PAGE 6-13
2	AG130091	1	BRACKET WLDMT-MTG, MUFFLER	
3	AG130233	1	TUBE-FLEX,EXHAUST	
4	AG130241	1	GUARD-EXHAUST,5.00 WITH RINGS	
5	AG130245	1	CLAMP-MUFFLER,5.00	
6	AG130246	-	CLAMP-VEE BAND,EXHAUST	
7	AG130374	1	CLAMP-V BAND,EXHAUST,WIDE	
8	AG130375	1	TUBE-EXHAUST,5.00 OD	
9	AG130376	1	TUBE-EXHAUST,TURBO	
10	AG421109	1	MUFFLER-EXHAUST	
11	AG511021	-	TUBING 0.25 OD NYLON BLACK [BULK: 9.500 FT]	
12	AG516637	4	CLAMP EXHAUST 5.00	
13	AG516642	1	ELBOW 90D 0.25TUBE X0.12NPT	
14	AG520940	2	BAND-MOUNTING	
15	AG523466	2	WASHER-LK,10MM,SS,REG	
16	AG550485	2	BOLT 0.25-20NCX 0.75 G5 ZN HHD	
17	AG550493	2	WASHER 0.25 LK ZN REG	
18	AG550612	2	NUT 0.25-20NC HEX ZN REG	
19	AG550671	2	WASHER 0.25 FL ZN SAE TYPE-A	
20	AG550825	8	NUT 0.37-16NC HEX ZN REG	
21	AG553530	2	ADAP STR -2MP X -4MJ	
22	AG559024	AR	TIE CABLE 15.0 .06-4.00 BLACK	
23	AG562048	8	BOLT 0.37-16NCX 1.00 S.S. HHD	
24	AG562050	8	WASHER 0.37 LK SS REG	
25	AG562051	6	WASHER 0.31 LK SS REG	
26	AG562071	2	BOLT 0.31-18NCX 1.75 SS HHD	
27	AG562073	10	WASHER 0.37 FL SS REG TYPE-B	
28	AG562074	4	WASHER 0.31 FL SS REG TYPE-B	
29	AG562076	4	BOLT 0.31-18NCX 1.00 SS HHD	
30	AG562090	6	NUT 0.31-18NC HEX SS REG	
31	400039X1	2	BOLT-M10X1.5X25 ZNDI HHD 10.9	
32	507784D1	1	STACK-EXHAUST,BENT,5.00 IN	
33	517311D1	1	BRKT-EX. BRAKE SOLENOID	
34	518797D1	1	HOSE ASM -4 X 46.6 FJS90/FJS	
35	518880D1	1	KIT-BRAKE,EXHAUST 100MM	SEE PAGE 1-6

KIT-BRAKE,EXHAUST 100MM

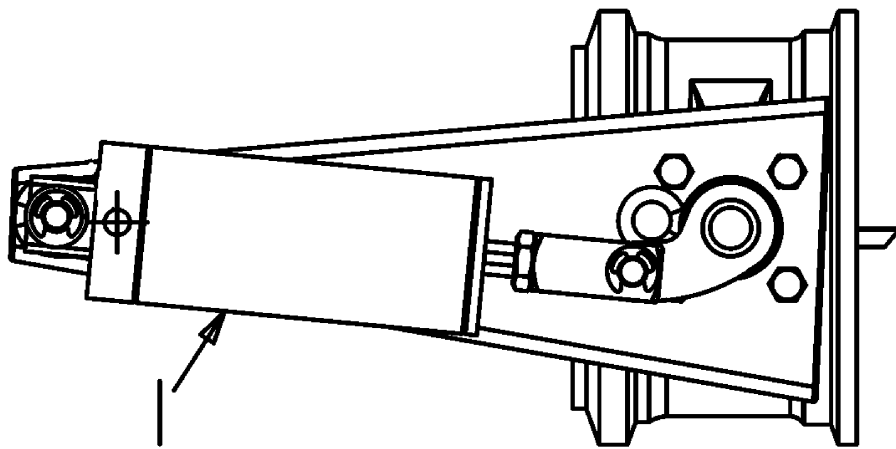


518880D1-01-R258-.TIF

KIT-BRAKE,EXHAUST 100MM

ITEM	PART #	QTY	DESCRIPTION	COMMENTS
1	AG130374	1	CLAMP-V BAND,EXHAUST,WIDE	
2	515851D1	1	BRAKE ASM-EXHAUST,100MM	
3	518881D1	1	BREATHER ASM, BRAKE	
4	519554D1	1	KIT-MAINTENANCE,EXHAUST BRAKE	
5	519618D1	1	GASKET,EXHAUST BRAKE, 100MM	

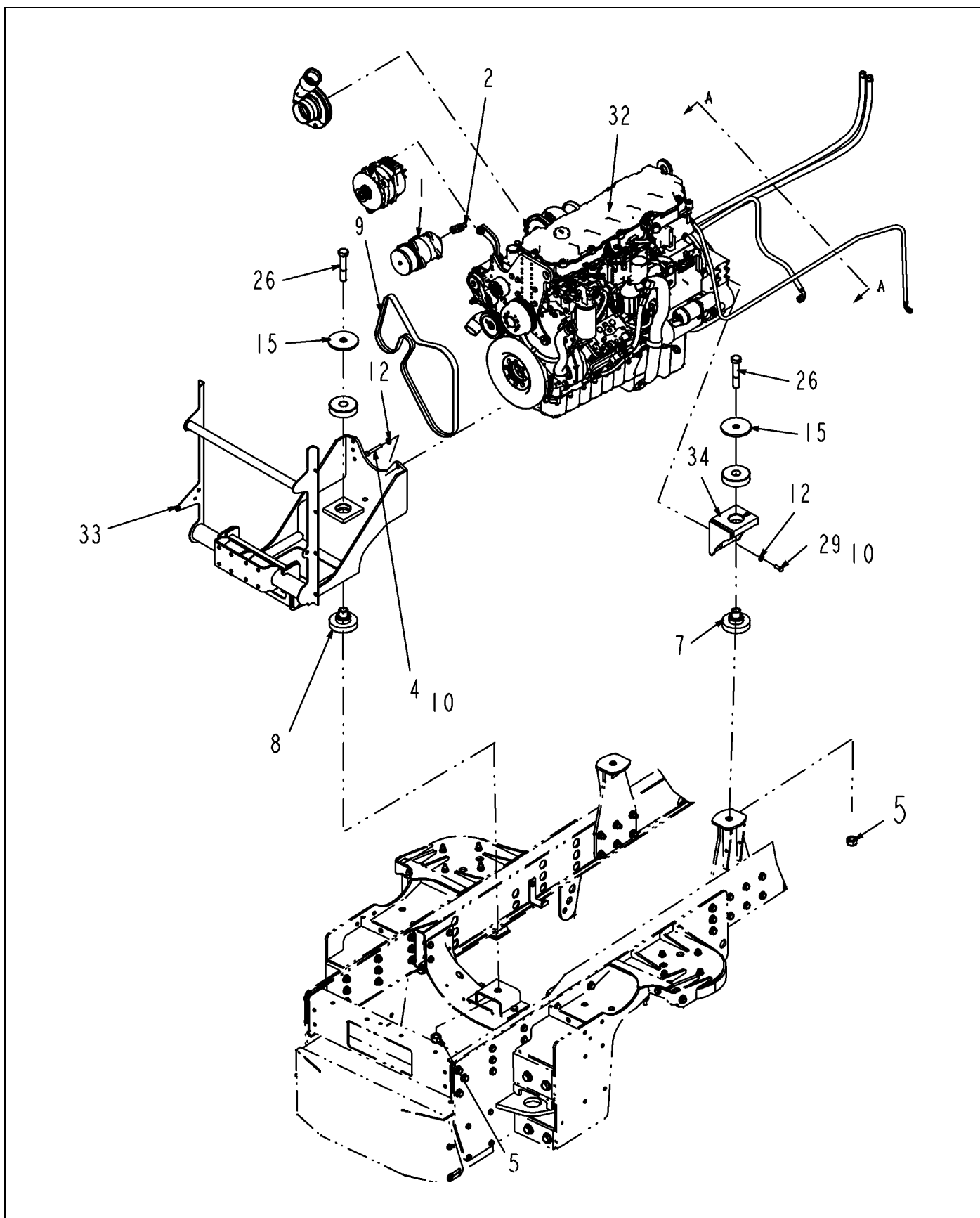
BRAKE ASM-EXHAUST



130408-B.tif

BRAKE ASM-EXHAUST

ITEM	PART #	QTY	DESCRIPTION	COMMENTS
0	AG130374	1	CLAMP-V BAND,EXHAUST,WIDE	
1	AG130410	1	CYLINDER-AIR,EXHAUST BRAKE	
	FOOTNOTE		(AG130410 IS NOT A SERVICEABLE ITEM)	

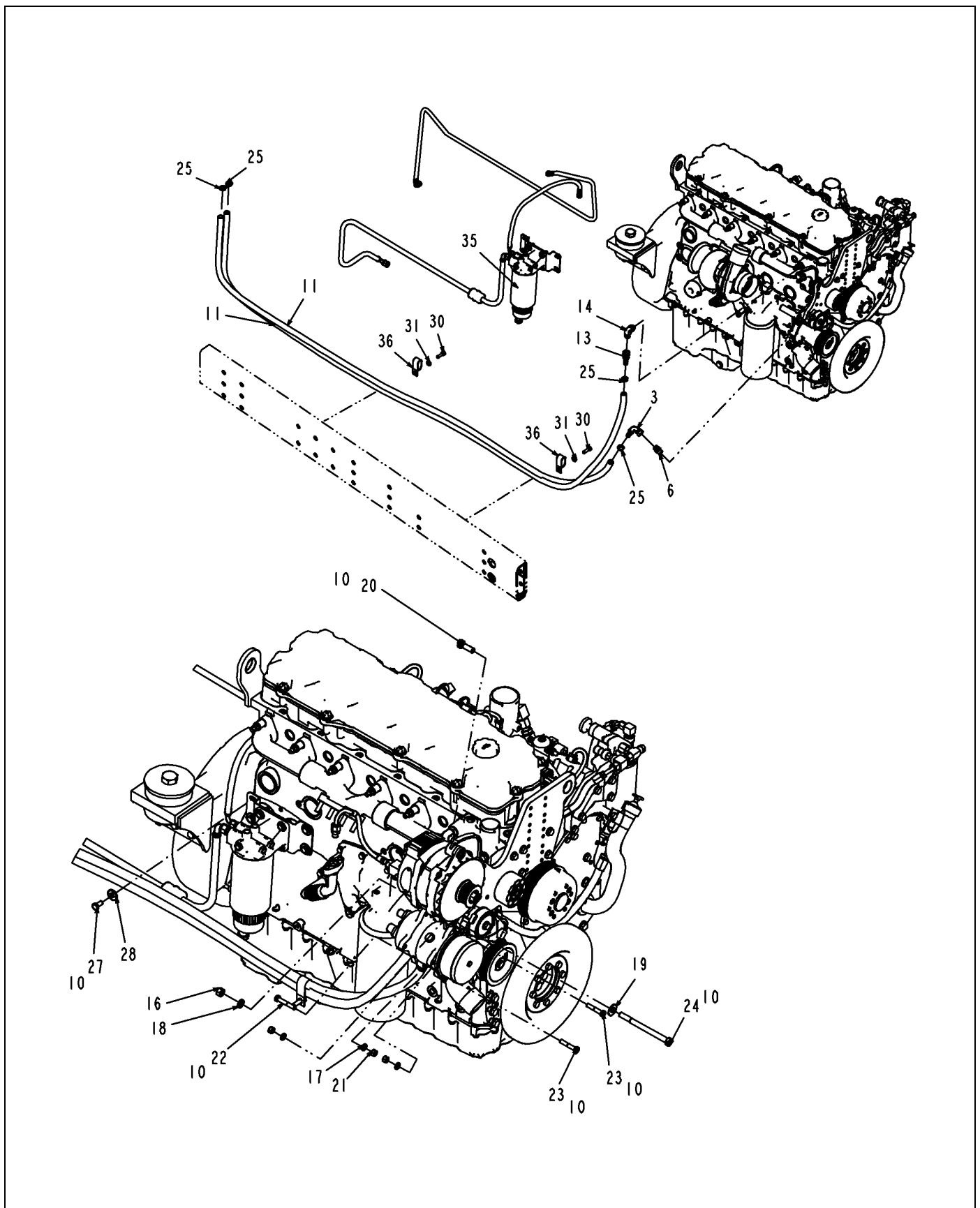


505250D1-05-R152-01.TIF

ENGINE-INSTALLATION-311HP

ITEM	PART #	QTY	DESCRIPTION	COMMENTS
1	AG120976	1	COMPRESSOR-A/C,R134A,10 GROOVE	
2	AG122058	1	PAD-FITTING,A/C COMPRESSOR	
4	AG122222	6	BOLT-HEX M12-1.75X80,GR10.9PH	
5	AG125206	3	NUT HEX 1-8 UNC-2B GR8 ZN/Y	
7	AG126419	2	MOUNT-CENTER BONDED,2 PIECE	
8	AG130266	1	MOUNT-CENTER BONDED,2 PIECE	
9	AG130416	-	BELT-DRIVE,ENGINE,CAT C9	
10	AG512885	AR	LOCTITE ADHESIVE SEALANT BLUE	
12	AG516780	18	WASHER TP-200 FLAT M12 BLACK	
15	AG520584	3	WASHER-REBOUND,MOUNT	
26	AG561921	3	BOLT 1.00- 8NCX 5.50 G8 PL HHD	
29	400041X1	12	BOLT-M12X1.75X30 ZNDI HHD 10.9	
32	505249D1	1	ENGINE-CAT C9 TIER 3,311HP	SEE PAGE 1-14
33	505577D1	1	WLDMT-ENGINE MNT,REAR	
34	511676D1	2	WLDMT-ENGINE MNT,REAR	

ENGINE-INSTALLATION-311HP

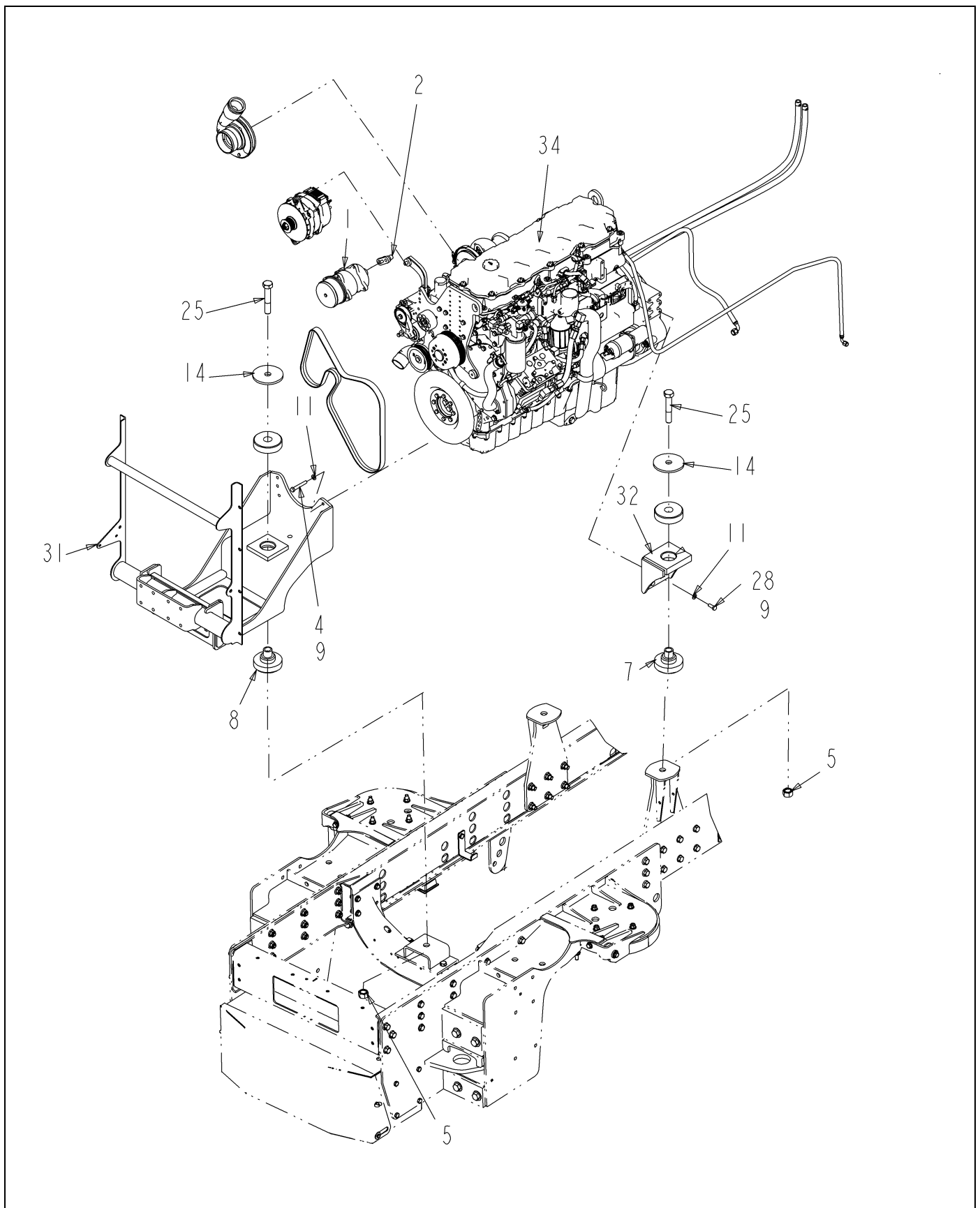


505250D1-05-R152-02.TIF

ENGINE-INSTALLATION-311HP

ITEM	PART #	QTY	DESCRIPTION	COMMENTS
3	AG122206	1	ADAPTR-90D,.5ORFSX5/8 HOSE BRD	
6	AG126302	1	ADAPTR-STR,1/2MOR X 1/2 ORFS	
10	AG512885	AR	LOCTITE ADHESIVE SEALANT BLUE	
11	AG513423	-	HOSE 0.62 1BRD EPDM [BULK: 21.750 FT]	
13	AG519447	1	FITTING PUSH-LOK-10	
14	AG519448	1	ELBOW -8MB X -10MJ90	
16	AG550124	1	NUT 0.50-13NC HEX ZN REG	
17	AG550191	3	WASHER 0.37 LK ZN REG	
18	AG550264	1	WASHER 0.50 LK ZN REG	
19	AG550353	1	WASHER 0.50 FL ZN REG TYPE-B	
20	AG550817	1	BOLT 0.50-13NCX 1.50 G5 ZN HHD	
21	AG550825	3	NUT 0.37-16NC HEX ZN REG	
22	AG552127	1	BOLT 0.37-16NCX 2.25 G5 ZN HHD	
23	AG552240	2	BOLT 0.37-16NCX 2.00 G5 ZN HHD	
24	AG561203	1	BOLT 0.50-13NCX 6.50 G5 ZN HHD	
25	AG561215	4	CLAMP 0.50-0.91 HOSE 8HS	
27	AG562463	4	BOLT M10-1.50X 20MM G8.8 ZN HH	
28	AG562789	4	WASHER FL METRIC#10 GEN PUR ZN	
30	400059X1	2	BOLT-M10X1.5X35 ZNDI HHD 10.9	
31	400287X1	3	WASHER-HARD 11IDX21ODX2.5 ZND1	
35	517122D1	1	INSTL-FUEL LINE	SEE PAGE 4-1
36	CH6D-1641	2	CLIP-LOOP 24ID X 2	

ENGINE INSTL, TIER 3 C9, 311HP

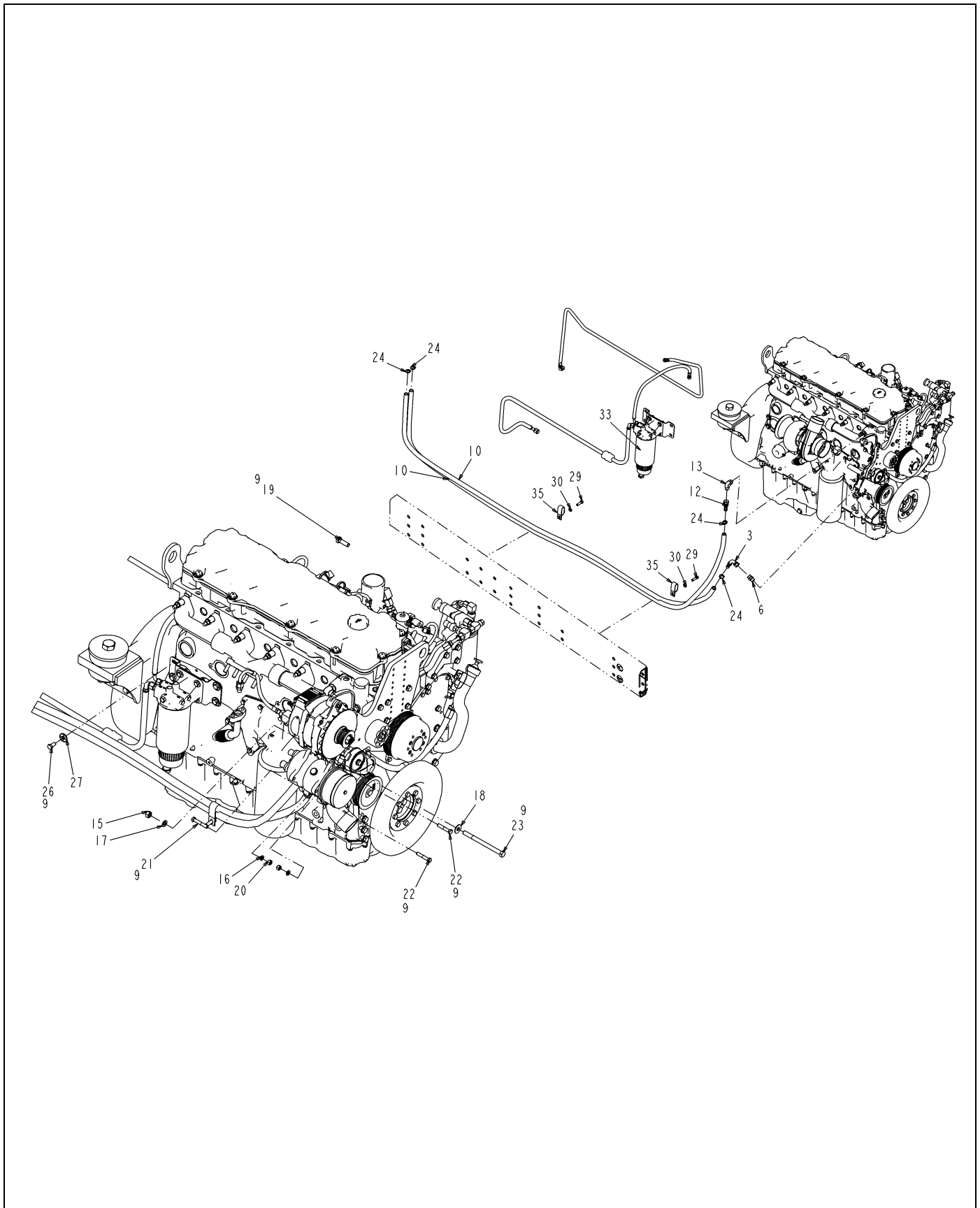


518689D1-01-R175-01.TIF

ENGINE INSTL, TIER 3 C9, 311HP

ITEM	PART #	QTY	DESCRIPTION	COMMENTS
1	AG120976	1	COMPRESSOR-A/C,R134A,10 GROOVE	
2	AG122058	1	PAD-FITTING,A/C COMPRESSOR	
4	AG122222	6	BOLT-HEX M12-1.75X80,GR10.9PH	
5	AG125206	3	NUT HEX 1-8 UNC-2B GR8 ZN/Y	
7	AG126419	2	MOUNT-CENTER BONDED,2 PIECE	
8	AG130266	1	MOUNT-CENTER BONDED,2 PIECE	
9	AG512885	AR	LOCTITE ADHESIVE SEALANT BLUE	
11	AG516780	18	WASHER TP-200 FLAT M12 BLACK	
14	AG520584	3	WASHER-REBOUND,MOUNT	
25	AG561921	3	BOLT 1.00- 8NCX 5.50 G8 PL HHD	
28	400041X1	12	BOLT-M12X1.75X30 ZNDI HHD 10.9	
31	505577D1	1	WLDMT-ENGINE MNT,REAR	
32	511676D1	2	WLDMT-ENGINE MNT,REAR	
34	518690D1	1	CAT C9 TIER 3 ENGINE, 311 HP	SEE PAGE 1-12

ENGINE INSTL, TIER 3 C9, 311HP

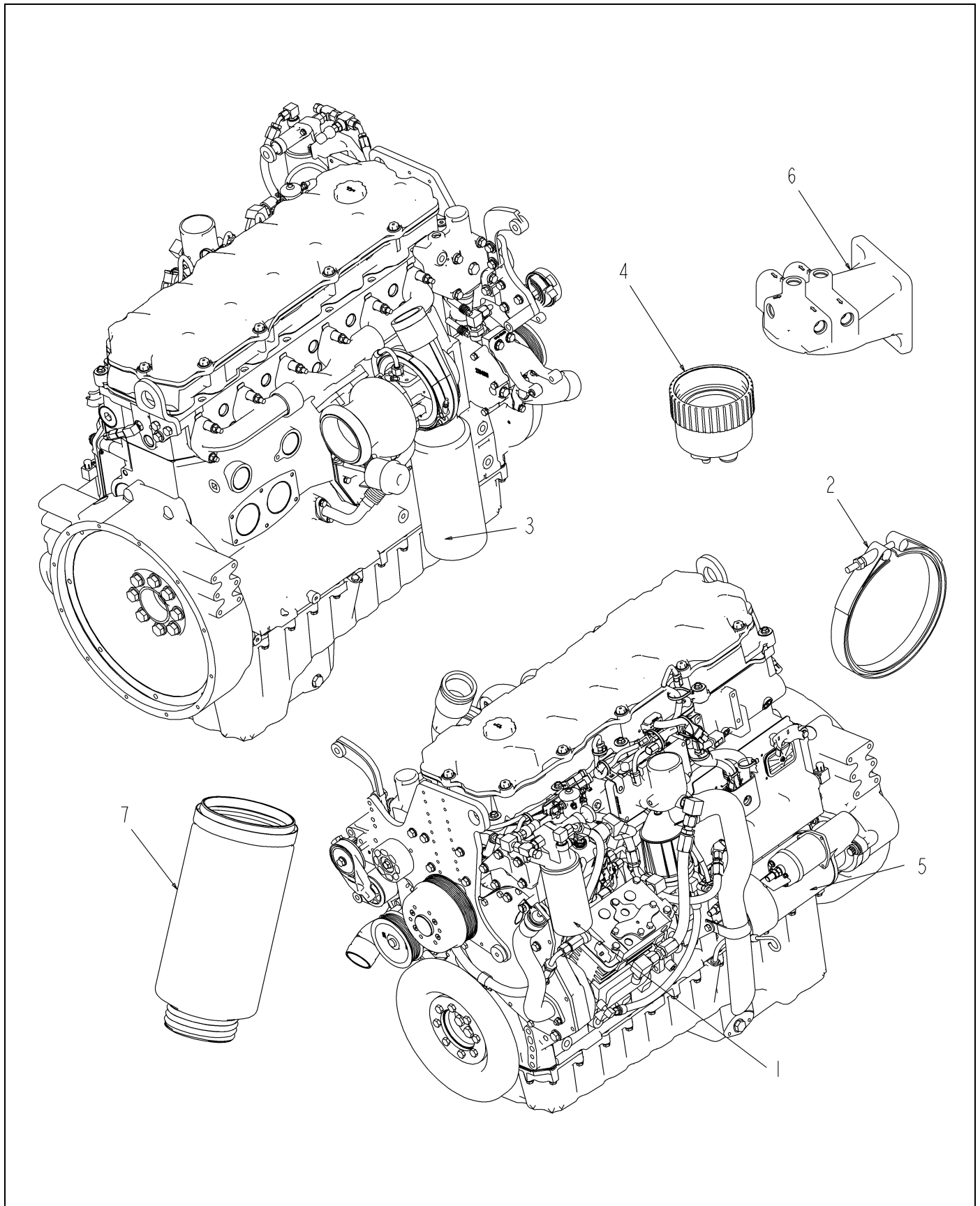


518689D1-01-R175-02.TIF

ENGINE INSTL, TIER 3 C9, 311HP

ITEM	PART #	QTY	DESCRIPTION	COMMENTS
3	AG122206	1	ADAPTR-90D,.5ORFSX5/8 HOSE BRD	
6	AG126302	1	ADAPTR-STR,1/2MOR X 1/2 ORFS	
9	AG512885	AR	LOCTITE ADHESIVE SEALANT BLUE	
10	AG513423	-	HOSE 0.62 1BRD EPDM [BULK: 21.750 FT]	
12	AG519447	1	FITTING PUSH-LOK-10	
13	AG519448	1	ELBOW -8MB X -10MJ90	
15	AG550124	1	NUT 0.50-13NC HEX ZN REG	
16	AG550191	2	WASHER 0.37 LK ZN REG	
17	AG550264	1	WASHER 0.50 LK ZN REG	
18	AG550353	1	WASHER 0.50 FL ZN REG TYPE-B	
19	AG550817	1	BOLT 0.50-13NCX 1.50 G5 ZN HHD	
20	AG550825	2	NUT 0.37-16NC HEX ZN REG	
21	AG552127	1	BOLT 0.37-16NCX 2.25 G5 ZN HHD	
22	AG552240	2	BOLT 0.37-16NCX 2.00 G5 ZN HHD	
23	AG561203	1	BOLT 0.50-13NCX 6.50 G5 ZN HHD	
24	AG561215	4	CLAMP 0.50-0.91 HOSE 8HS	
26	AG562463	4	BOLT M10-1.50X 20MM G8.8 ZN HH	
27	AG562789	4	WASHER FL METRIC#10 GEN PUR ZN	
29	400059X1	2	BOLT-M10X1.5X35 ZNDI HHD 10.9	
30	400287X1	2	WASHER-HARD 11IDX21ODX2.5 ZND1	
33	517122D1	1	INSTL-FUEL LINE	SEE PAGE 4-1
35	CH6D-1641	2	CLIP-LOOP 24ID X 2	

CAT C9 TIER 3 ENGINE, 311 HP

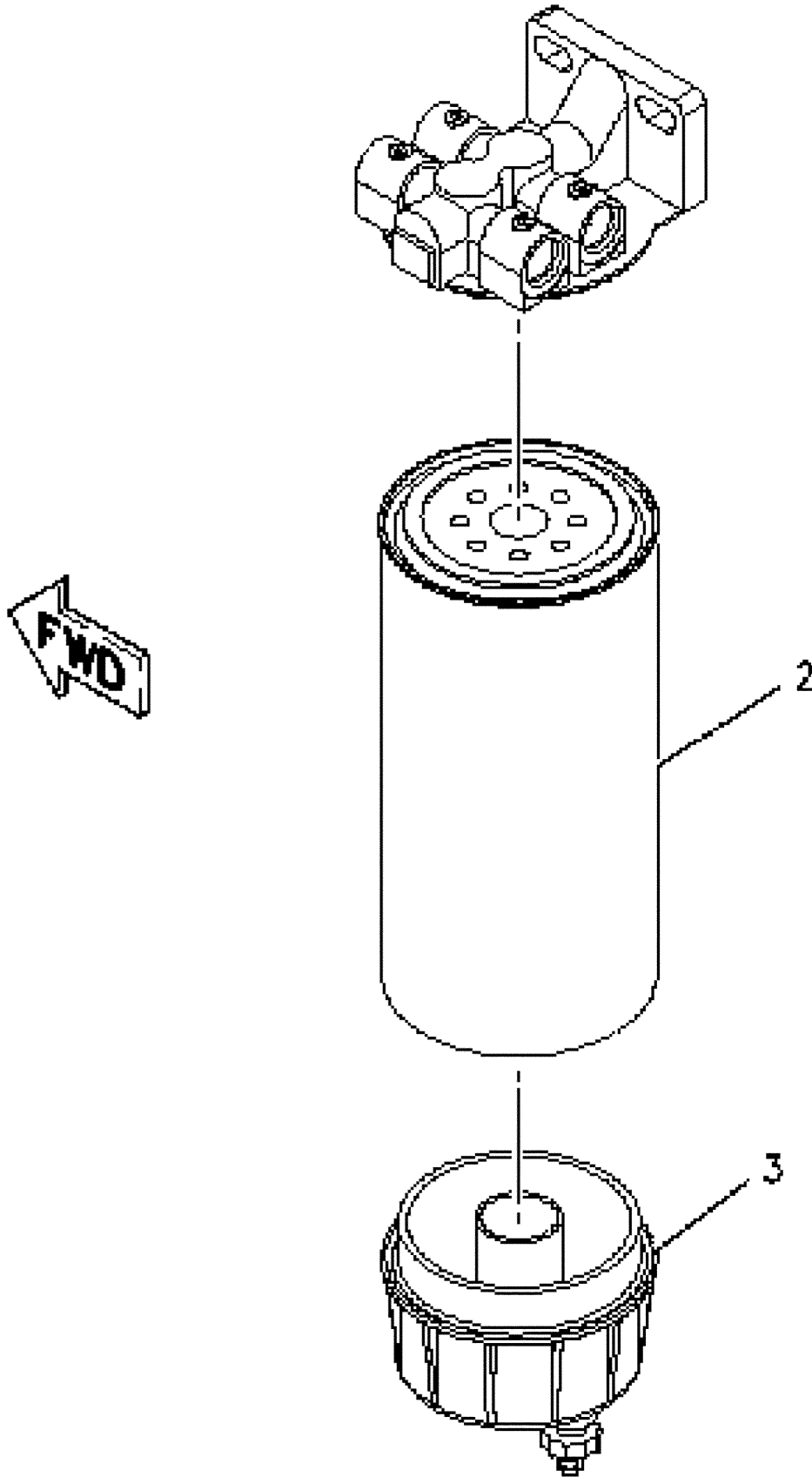


518690D1-01-R175-02.TIF

CAT C9 TIER 3 ENGINE, 311 HP

ITEM	PART #	QTY	DESCRIPTION	COMMENTS
1	AG121852	-	FILTER-FUEL,SECONDARY,CAT3126B	
2	AG130246	-	CLAMP-VEE BAND,EXHAUST	
3	504594D1	-	FILTER-ENGINE OIL	
4	505651D1	-	BOWL AS-FUEL/WATER SEPARATOR	
5	516792D1	-	STARTER-ENGINE,CAT C9	
6	CH177-9778	-	BASE AS-FUEL FILTER	
7	CH1R-0771	-	FILTER AS.- (FWS)	

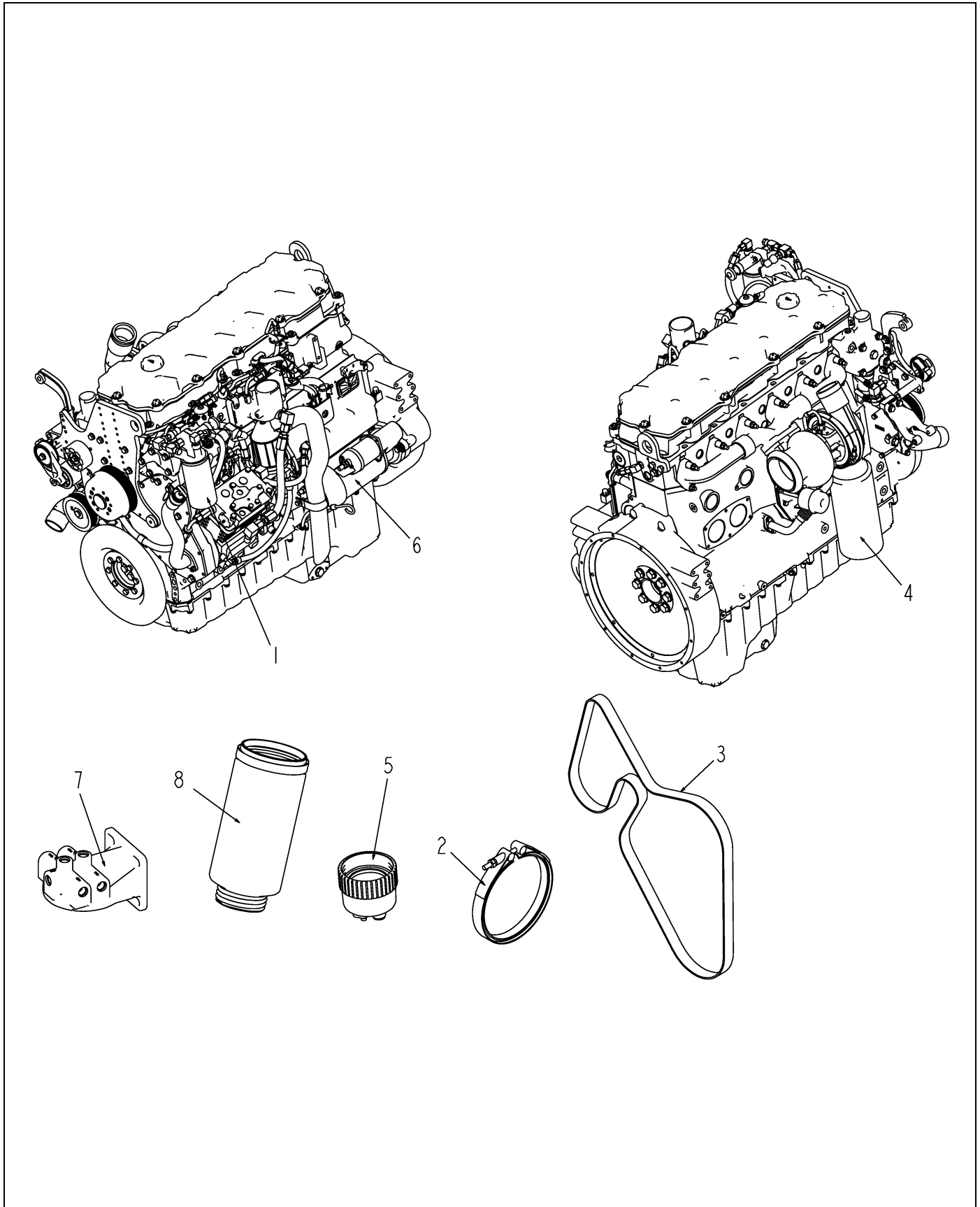
MNFLD-FILTER,REMOTE FUEL



121838.TIF

MNFLD-FILTER,REMOTE FUEL

ITEM	PART #	QTY	DESCRIPTION	COMMENTS
0	AG715132	1	ELEMENT FUEL FILTER	
0	AG132926	1	KIT, SEALS FILTER	
2	AG121851	1	FILTER-FUEL/WATER SEP,CAT	
3	AG132925	1	BOWL, FILTER	

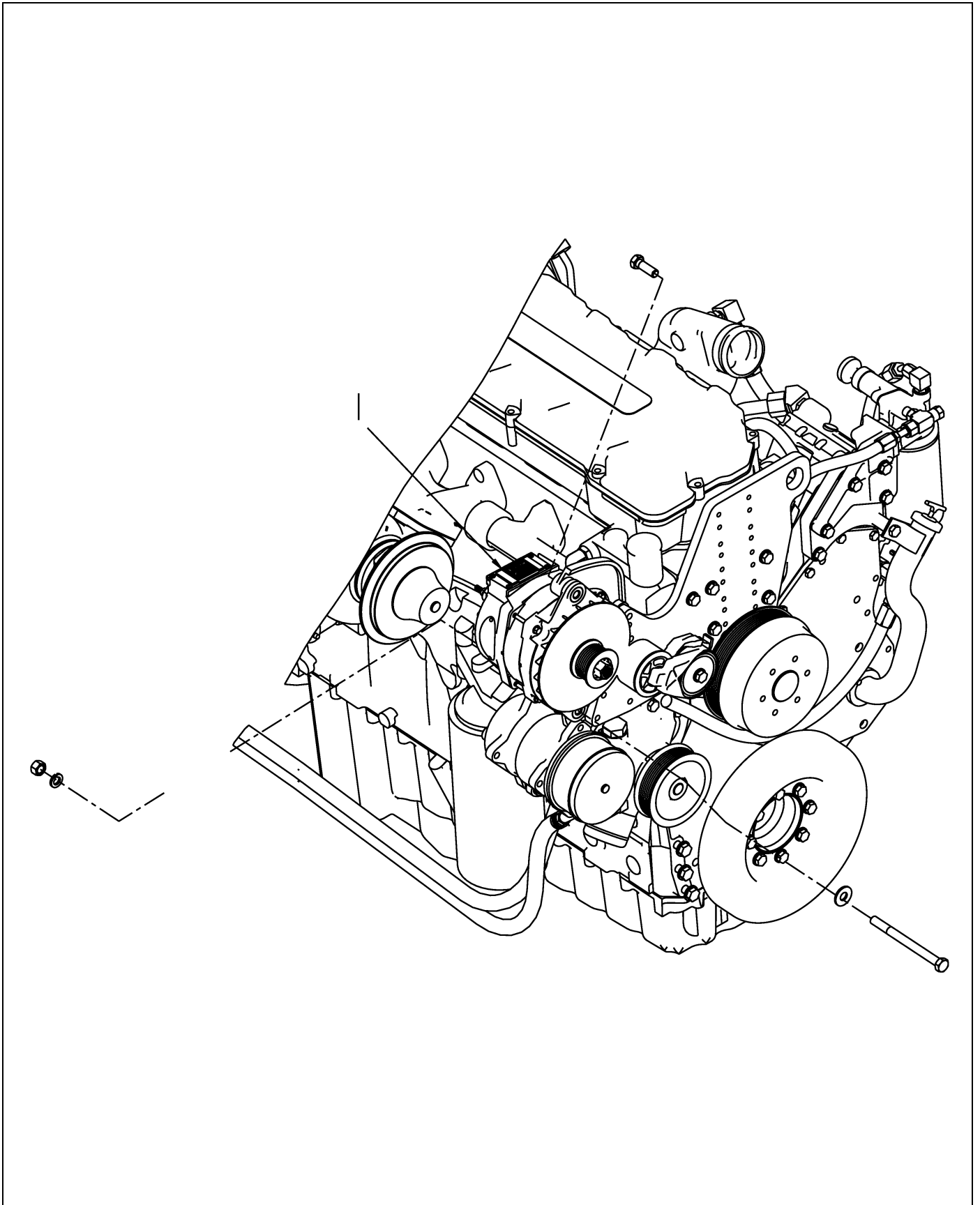


505249D1-07-R227-02.TIF

ENGINE-CAT CP TIER3,311HP

ITEM	PART #	QTY	DESCRIPTION	COMMENTS
1	AG121852	1	FILTER-FUEL,SECONDARY,CAT3126B	
2	AG130246	1	CLAMP-VEE BAND,EXHAUST	
3	AG130416	1	BELT-DRIVE,ENGINE,CAT C9	
4	504594D1	-	FILTER-ENGINE OIL	
5	505651D1	-	BOWL AS-FUEL/WATER SEPARATOR	
6	516792D1	-	STARTER-ENGINE,CAT C9	
7	CH177-9778	-	BASE AS-FUEL FILTER	
8	CH1R-0771	-	FILTER AS.- (FWS)	

ALTERNATOR INSTL-160 AMP

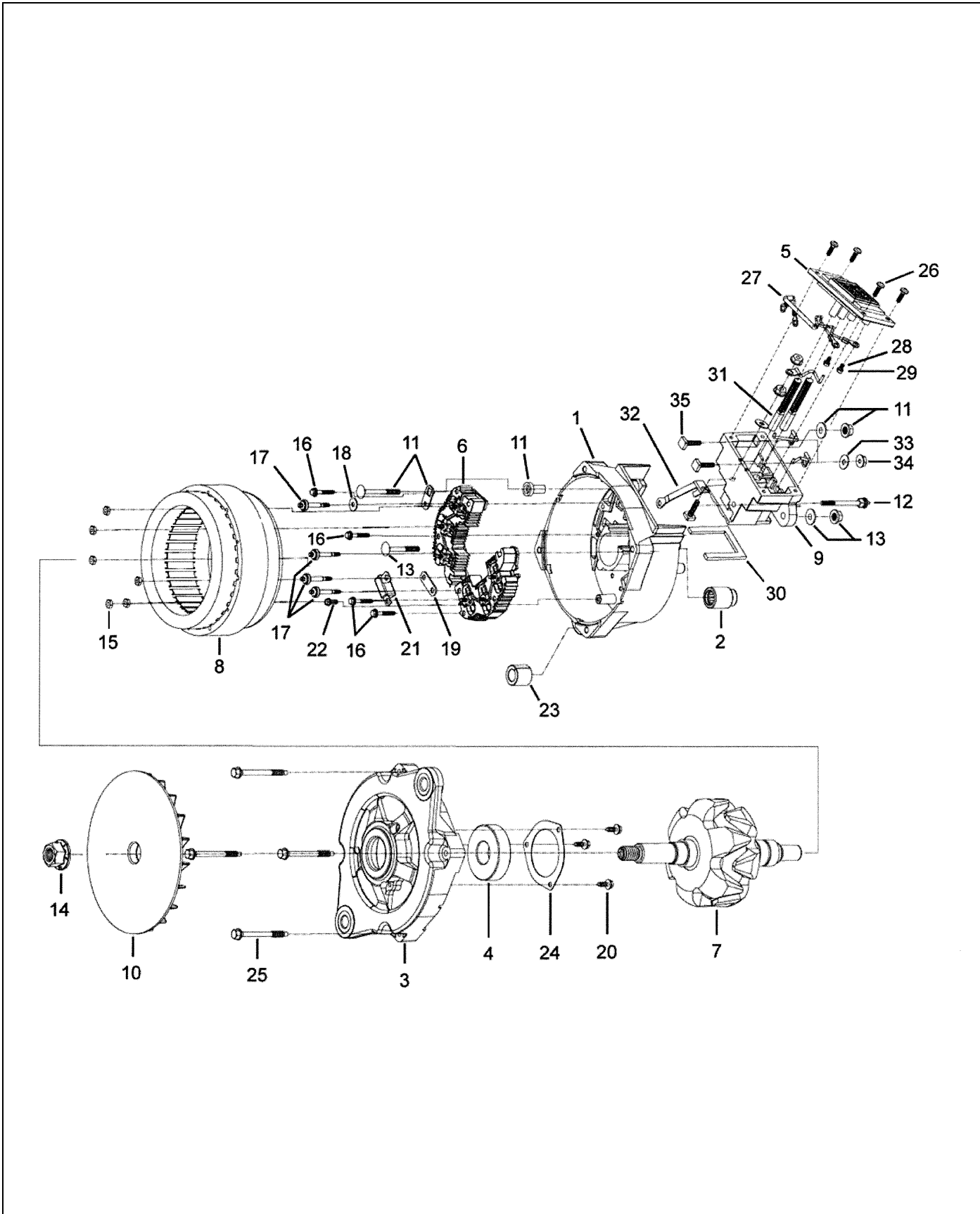


122813-B.TIF

ALTERNATOR INSTL-160 AMP

ITEM	PART #	QTY	DESCRIPTION	COMMENTS
1	AG522554	1	ALTERNATOR-160 AMP R/B517980D1	SEE PAGE 1-16

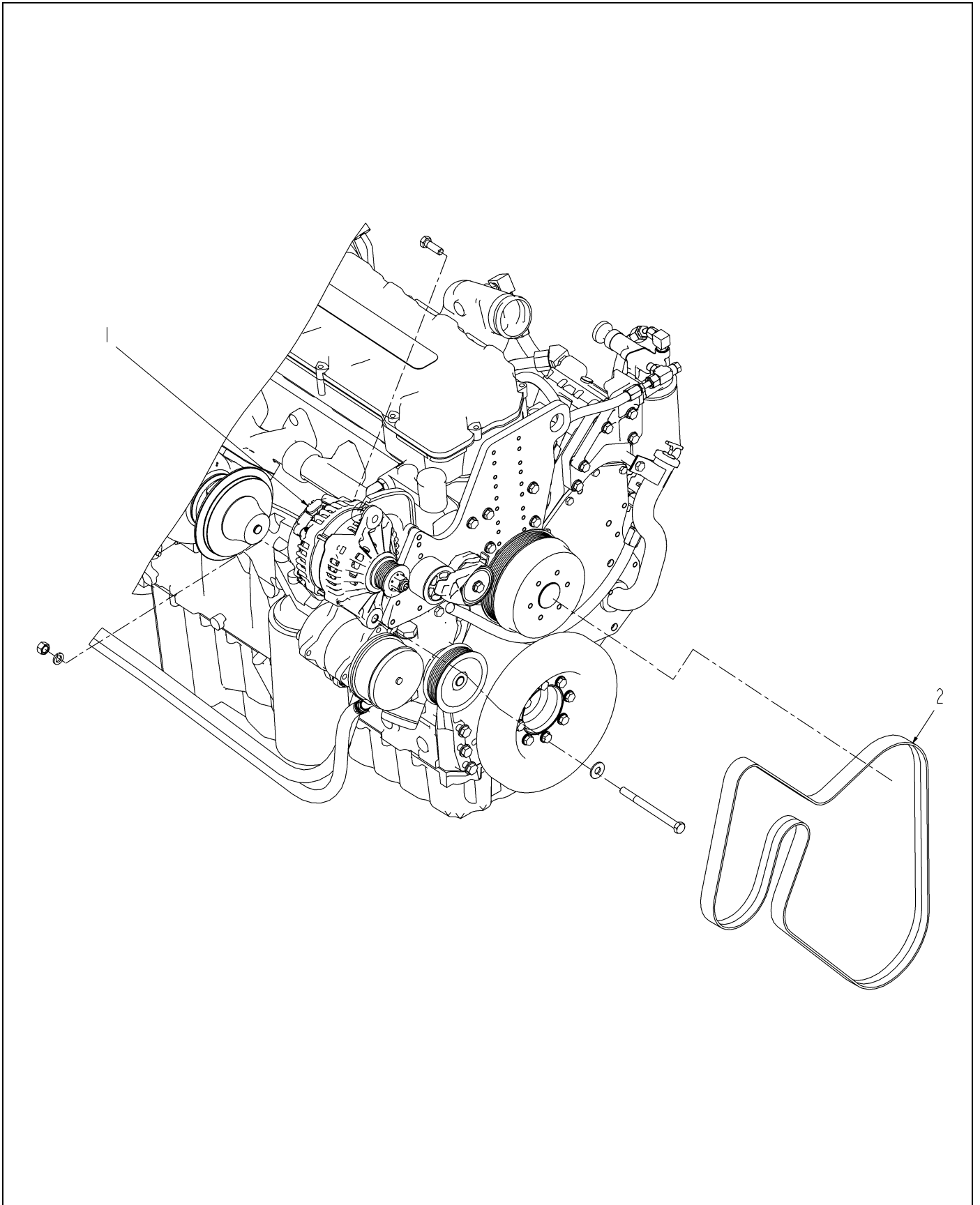
ALTERNATOR-160 AMP



522554.tif

ALTERNATOR-160 AMP

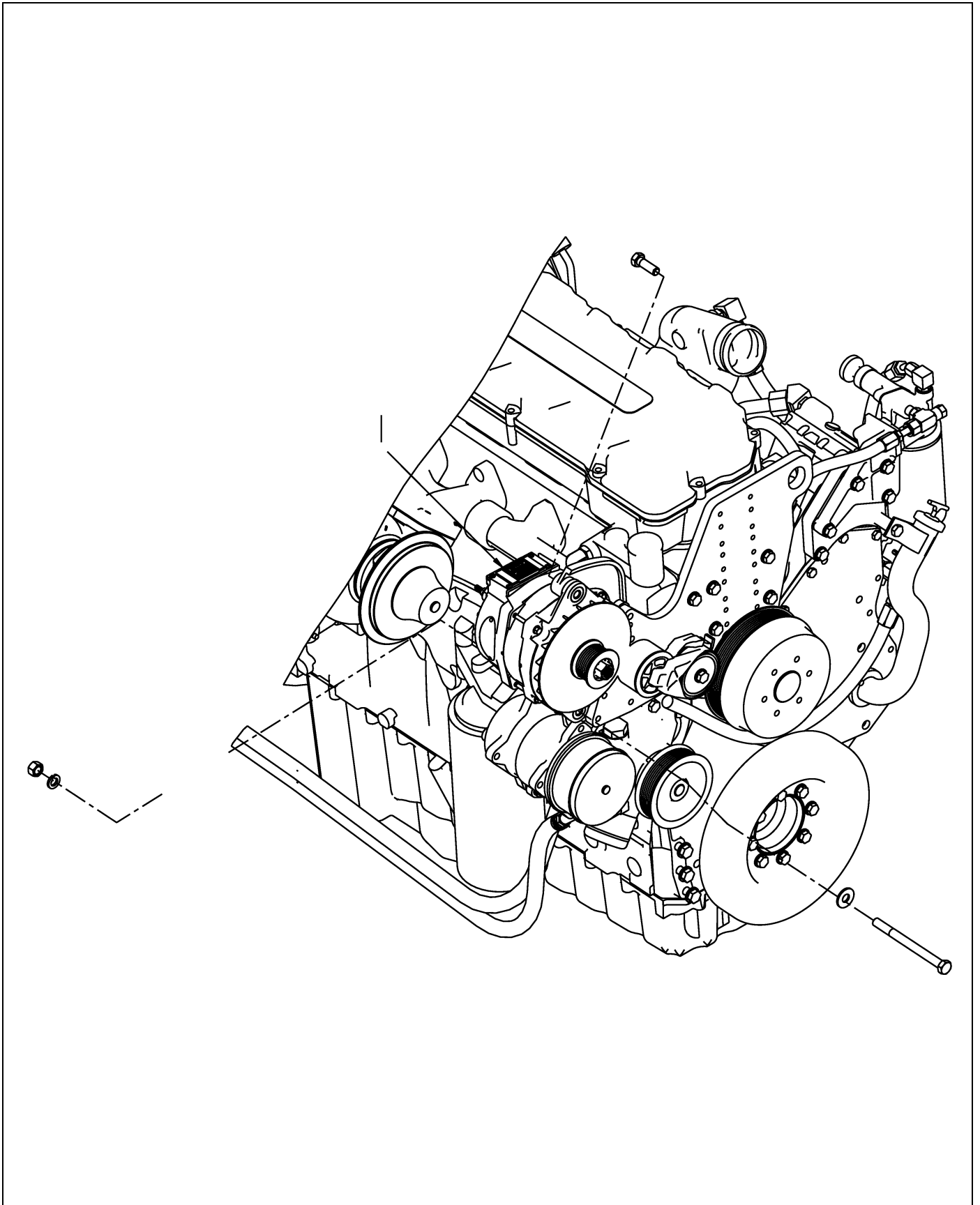
ITEM	PART #	QTY	DESCRIPTION	COMMENTS
1	AG727508	1	HOUSING/ALTERNATIO 160/200	
2	AG727509	1	BEARING/HOUSING END,ALT	
3	AG727510	1	FRAME/ALTERNATOR 160/200	
4	AG727511	1	BEARING/BALL,ASSY	
5	AG727512	1	REGULATOR/ALTERNATOR,160/200	
6	AG727513	1	REDTIFIER/BRIDGE,ALTERNATOR	
7	AG727514	1	ROTOR/ASM,ALTERNATOR	
8	AG727515	1	STATOR/ASM,ALTERNATOR	
10	AG727517	1	FAN/ALTERNATOR 160/200	
11	AG727518	1	TERMINAL/POSTIVE,ALTERNATOR	
12	AG727519	1	TERMINAL/RELAY,ALT SERV PKG	
13	AG727520	1	TERMINAL/NEGATIVE,ALT	
14	AG727521	1	NUT/SHAFT,ALTERNATOR 160/200	
15	AG550922	6	NUT #8-32NC HEX ZN REG	
16	AG727522	4	SCREW/ASM.ALT GRND	
17	AG727523	4	SCREW/ASM ALT.INSL	
19	AG727524	1	CONNECTOR/ALT REC.BRDG.	
21	AG727526	1	CAPACITOR/ALTERNATOR,160/200	
22	AG727527	1	SCREW/CAPACITOR,ALTERNATOR	
23	AG727528	1	BUSHING/ALTERNATOR 160/200	
24	AG727529	1	PLATE/RETAINER,D.E.BEARING	
25	AG727530	4	BOLT/HOUSING,ALTERNTOR	
26	AG727531	4	SCREW/ASM.REGULATOR	
27	AG727532	1	LEAD/ASM REG.TO RECTIFIER	
31	AG727533	1	ALTERNATOR/SERVICE PACKAGE	
32	AG727535	1	CONNECTOR/ALTERNATOR	
	FOOTNOTE		ITEMS 9,30,33,34, AND 35 CANNOT BE PURCHASED SEPERATELY BUT ARE INCLUDED WITH ITEM 31.	



518684D1-01-R175-.TIF

ALT/BELT INSTL-160AMP

ITEM	PART #	QTY	DESCRIPTION	COMMENTS
1	517980D1	1	ALTERNATOR-24SI,160 AMP	
2	518671D1	1	BELT-DRIVE, ENGINE	

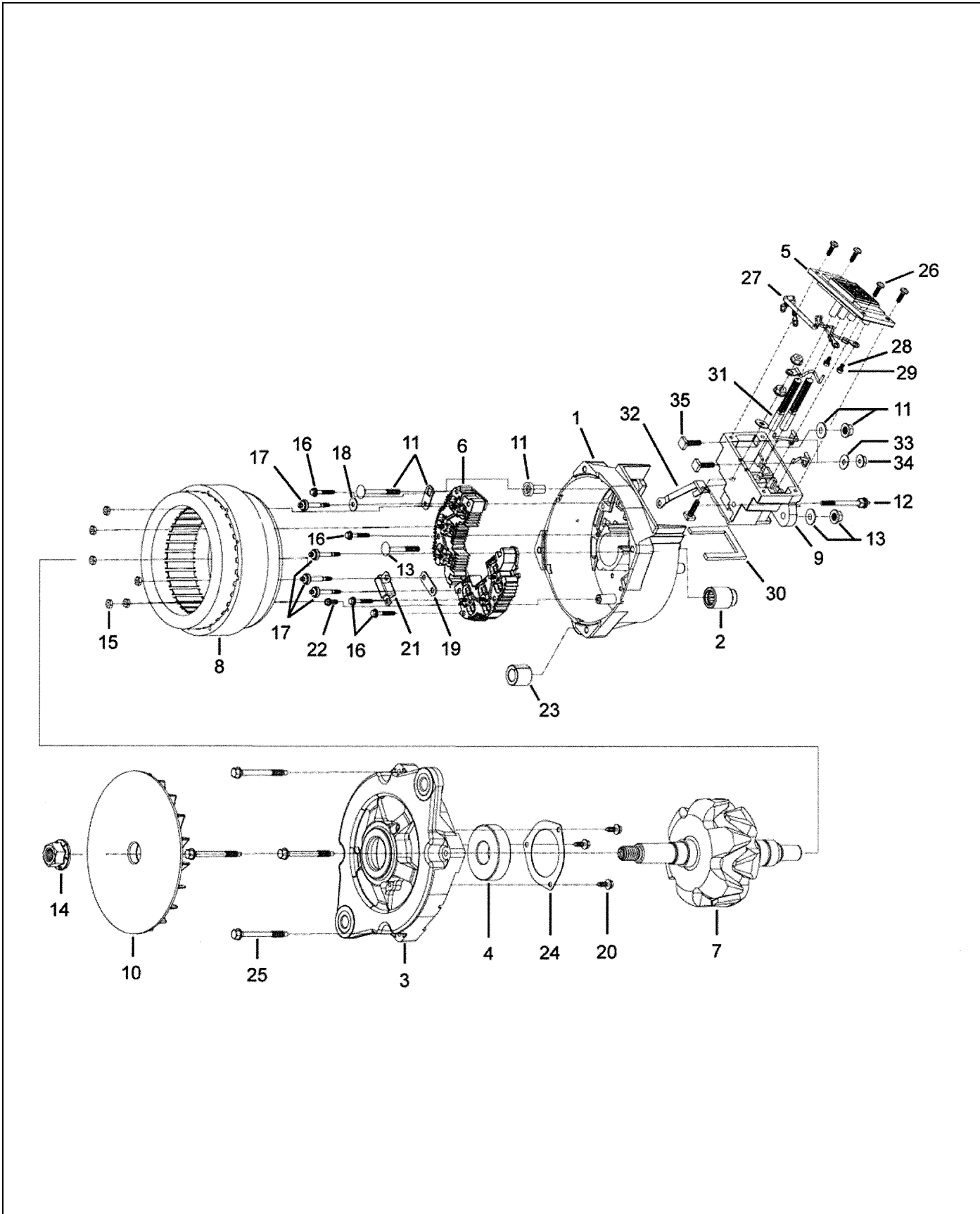


122814-B.TIF

ALTERNATOR INSTL-200 AMP

ITEM	PART #	QTY	DESCRIPTION	COMMENTS
1	AG522555	1	ALTERNATOR-200 AMP	SEE PAGE 1-19

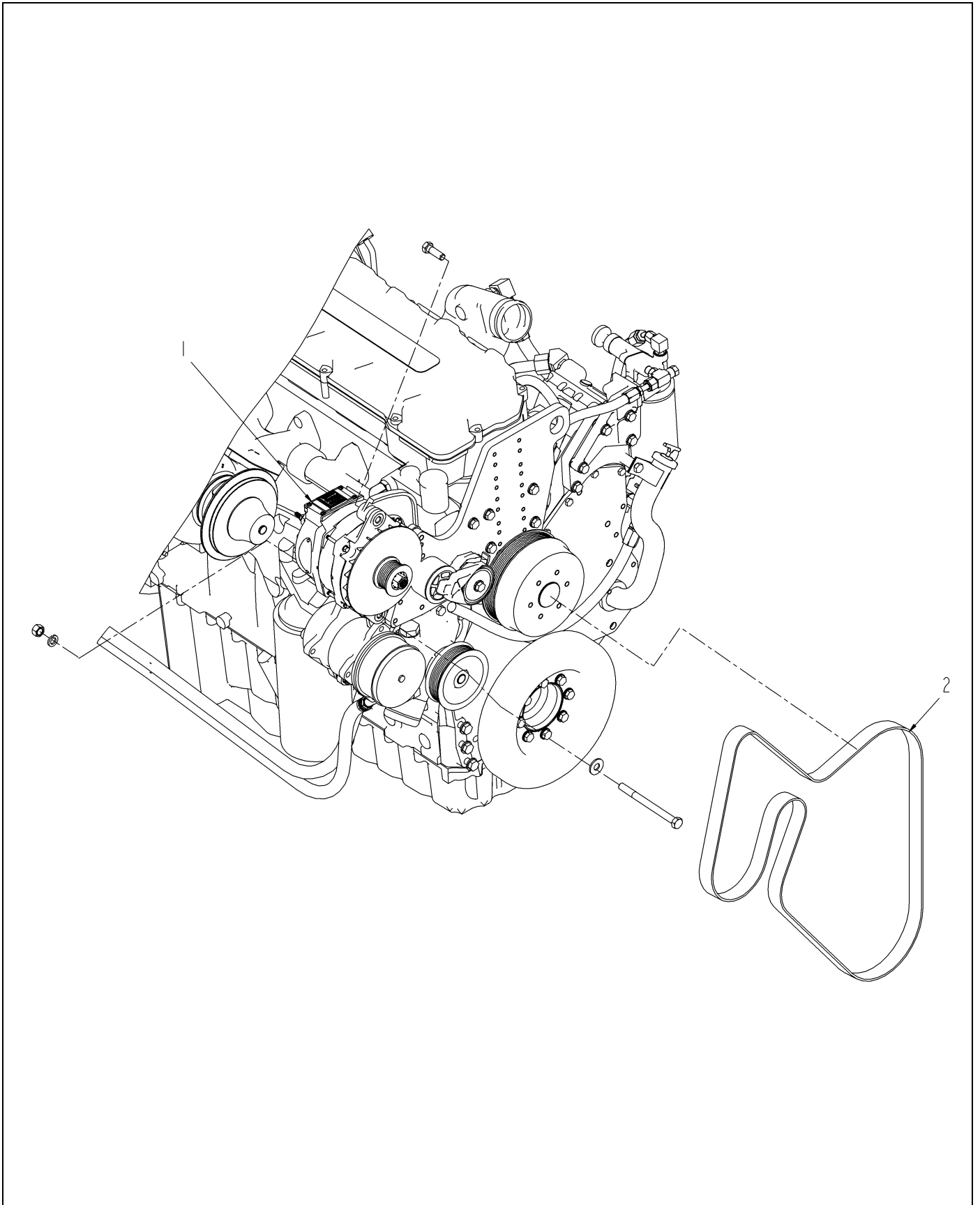
ALTERNATOR-200 AMP



522555.TIF

ALTERNATOR-200 AMP

ITEM	PART #	QTY	DESCRIPTION	COMMENTS
1	AG727508	1	HOUSING/ALTERNATIO 160/200	
2	AG727509	1	BEARING/HOUSING END,ALT	
3	AG727510	1	FRAME/ALTERNATOR 160/200	
4	AG727511	1	BEARING/BALL,ASSY	
5	AG727512	1	REGULATOR/ALTERNATOR,160/200	
6	AG727513	1	REDTIFIER/BRIDGE,ALTERNATOR	
7	AG727514	1	ROTOR/ASM,ALTERNATOR	
8	AG727515	1	STATOR/ASM,ALTERNATOR	
10	AG727517	1	FAN/ALTERNATOR 160/200	
11	AG727518	1	TERMINAL/POSTIVE,ALTERNATOR	
12	AG727519	1	TERMINAL/RELAY,ALT SERV PKG	
13	AG727520	1	TERMINAL/NEGATIVE,ALT	
14	AG727521	1	NUT/SHAFT,ALTERNATOR 160/200	
15	AG550922	6	NUT #8-32NC HEX ZN REG	
16	AG727522	4	SCREW/ASM.ALT GRND	
17	AG727523	4	SCREW/ASM ALT.INSL	
19	AG727524	1	CONNECTOR/ALT REC.BRDG.	
21	AG727526	1	CAPACITOR/ALTERNATOR,160/200	
22	AG727527	1	SCREW/CAPACITOR,ALTERNATOR	
23	AG727528	1	BUSHING/ALTERNATOR 160/200	
24	AG727529	1	PLATE/RETAINER,D.E.BEARING	
25	AG727530	4	BOLT/HOUSING,ALTERNTOR	
26	AG727531	4	SCREW/ASM.REGULATOR	
27	AG727532	1	LEAD/ASM REG.TO RECTIFIER	
31	AG727533	1	ALTERNATOR/SERVICE PACKAGE	
32	AG727535	1	CONNECTOR/ALTERNATOR	
	FOOTNOTE		ITEMS 9,30,33,34, AND 35 CANNOT BE PURCHASED SEPERATELY BUT ARE INCLUDED WITH ITEM 31.	

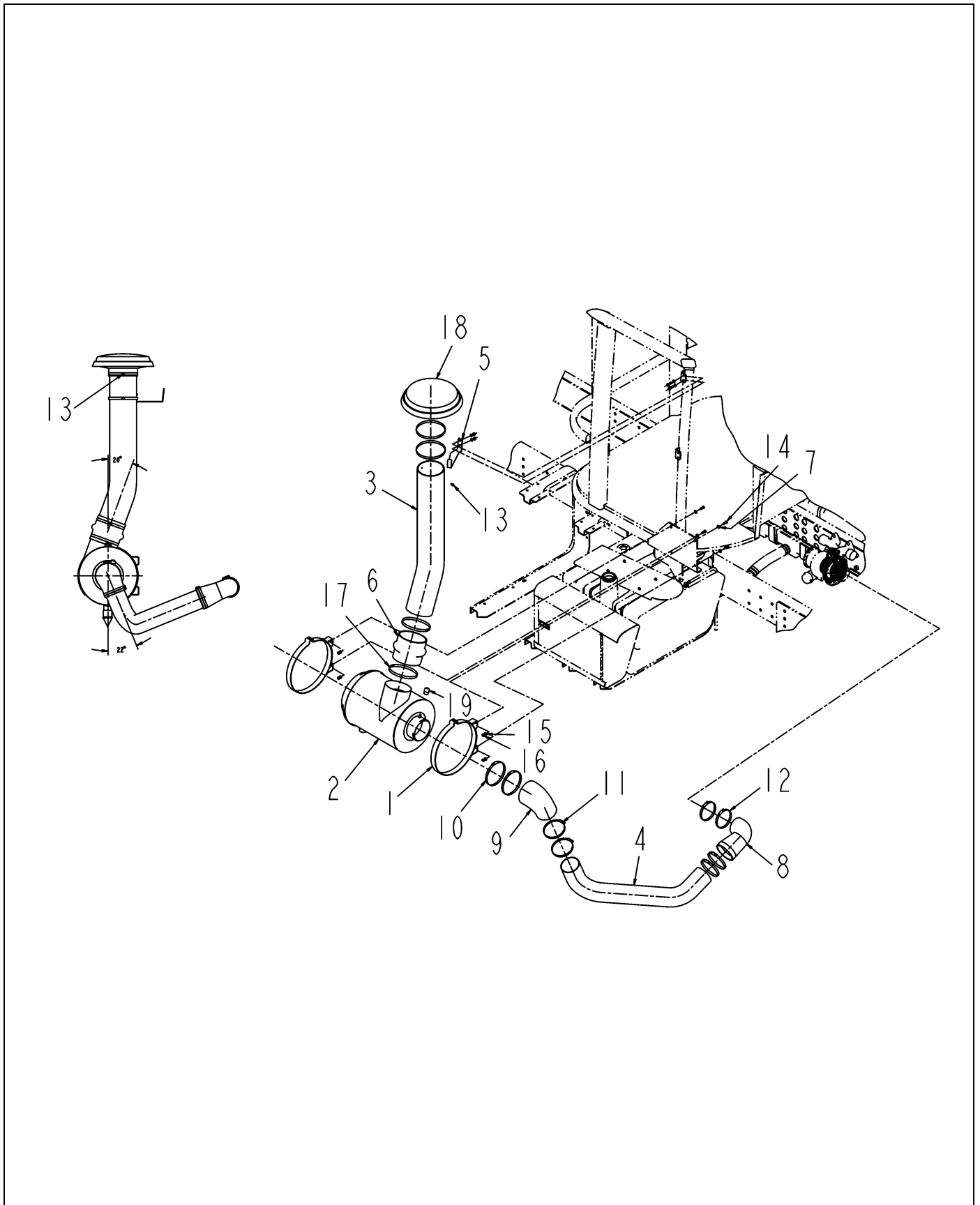


518685D1-01-R175-.TIF

ALT/BELT INSTL-200AMP

ITEM	PART #	QTY	DESCRIPTION	COMMENTS
1	AG522555	1	ALTERNATOR-200 AMP	SEE PAGE 1-19
2	AG130416	1	BELT-DRIVE,ENGINE,CAT C9	

INST-AIR INTAKE SYSTEM

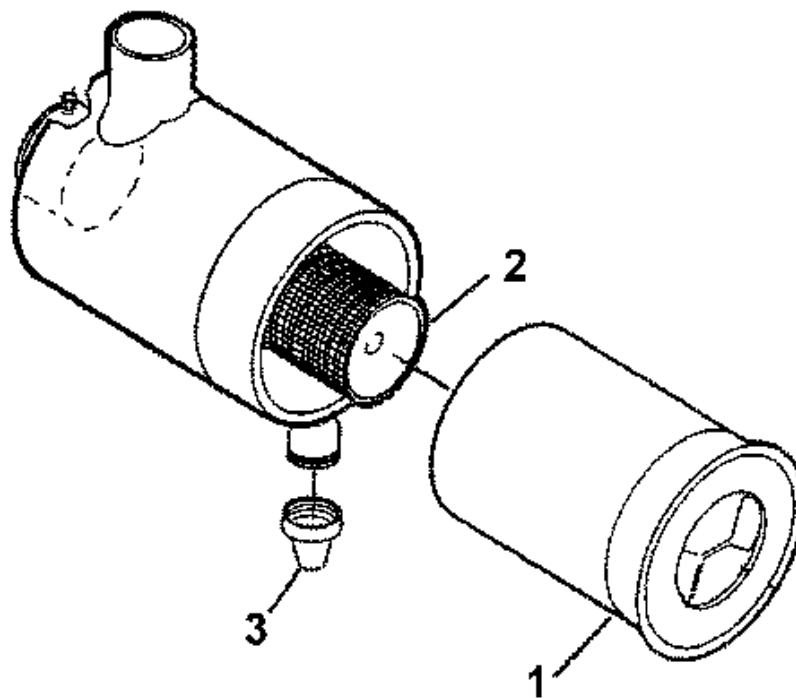


130081-B-1.TIF

INST-AIR INTAKE SYSTEM

ITEM	PART #	QTY	DESCRIPTION	COMMENTS
1	AG122213	2	BAND-MTG,AIR CLNR 15.00 DIA	
2	AG122214	1	AIR CLEANER-15.00 DIA	SEE PAGE 1-22
3	AG130236	1	EXTENSION-AIR INTAKE	
4	AG130238	1	TUBE-AIR INTAKE	
5	AG130239	1	BRKT-AIR INTAKE EXTENSION	
6	AG130244	1	HOSE-HUMP,7.00 ID	
7	AG514559	4	WASHER 0.37 FL ZN SAE TYP-A G8	
8	AG520758	1	ELBOW-90D,REDUCER,5.00ID	
9	AG521173	1	ELBOW-REDUCER,6X5X90D,RUBBER	
10	AG522376	2	CLAMP-HIGH TORQUE,6.50	
11	AG522377	4	CLAMP-HIGH TORQUE,5.50	
12	AG522378	2	CLAMP-HIGH TORQUE,5.00	
13	AG522591	2	SCR-10-16X.62,SS,HHD,3,TPG	
14	AG550175	4	BOLT 0.37-16NCX 1.00 G5 ZN HHD	
15	AG550191	4	WASHER 0.37 LK ZN REG	
16	AG550825	4	NUT 0.37-16NC HEX ZN REG	
17	AG561254	3	CLAMP 6.87-7.75 HOSE 116HS	
18	AG600849	1	HOOD AIR INLET W/CLAMP B	
19	AG600857	1	INDICATOR SERVICE (25 H2O) (P)	

AIR CLEANER-15.00 DIA

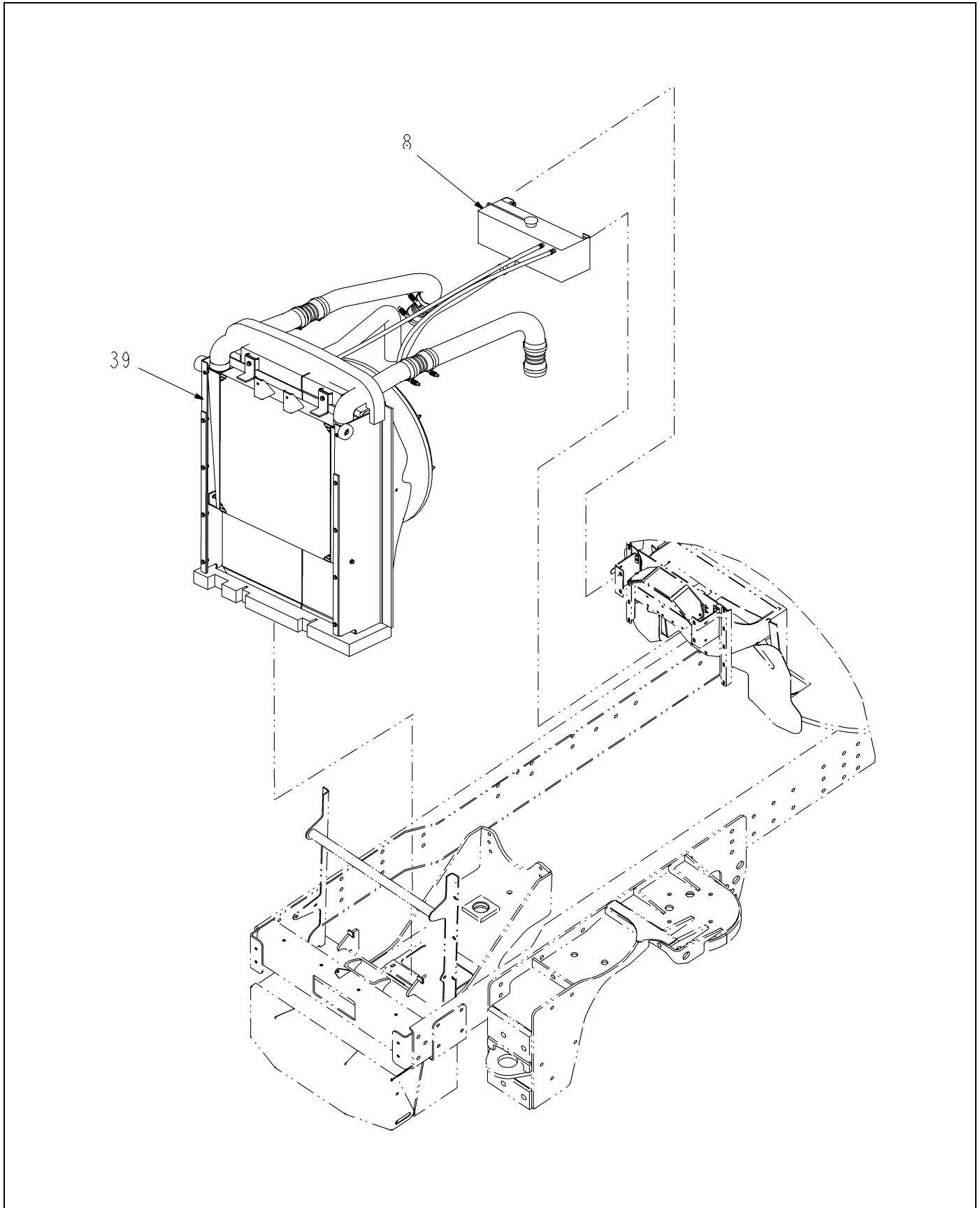


122214.tif

AIR CLEANER-15.00 DIA

ITEM	PART #	QTY	DESCRIPTION	COMMENTS
1	AG122230	1	FILTER,PRIMARY,AIR 15 IN	
2	AG122231	1	FILTER,SAFETY,AIR,15 IN	
3	AG610420	1	VALVE-VACUATOR (522580)	[A]
	FOOTNOTE [A]		BELOW SN-8532659 USE AG605391, SN-8532659 AND ABOVE USE AG610420	

COOLING PACKAGE INSTALLATION

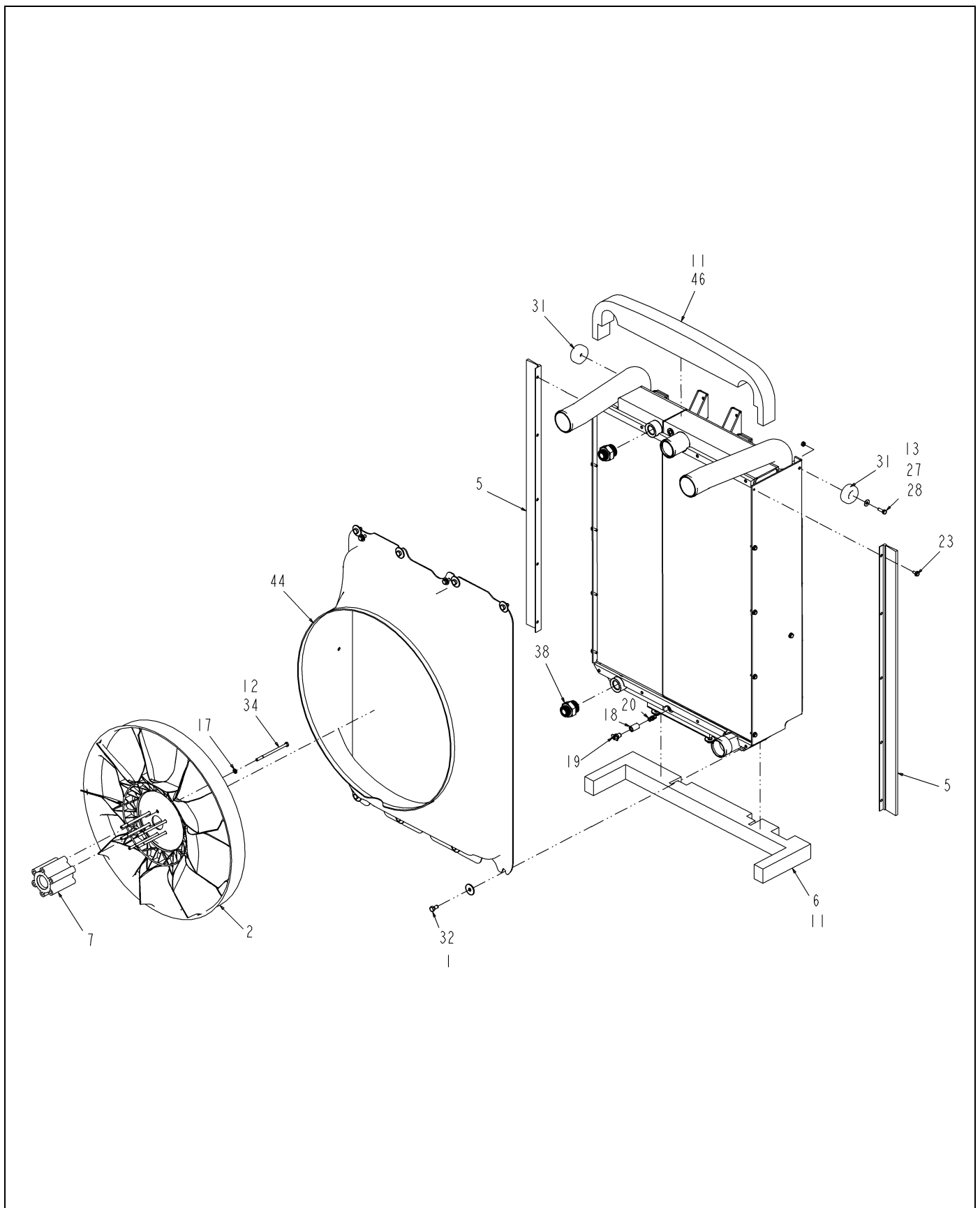


505252D1-05-R227-01.TIF

COOLING PACKAGE INSTALLATION

ITEM	PART #	QTY	DESCRIPTION	COMMENTS
8	AG327703	1	TANK-DEAERATION	SEE PAGE 1-28
39	505251D1	1	COOLER ASM-RAD/CAC/HOC	SEE PAGE 1-27

COOLING PACKAGE INSTALLATION

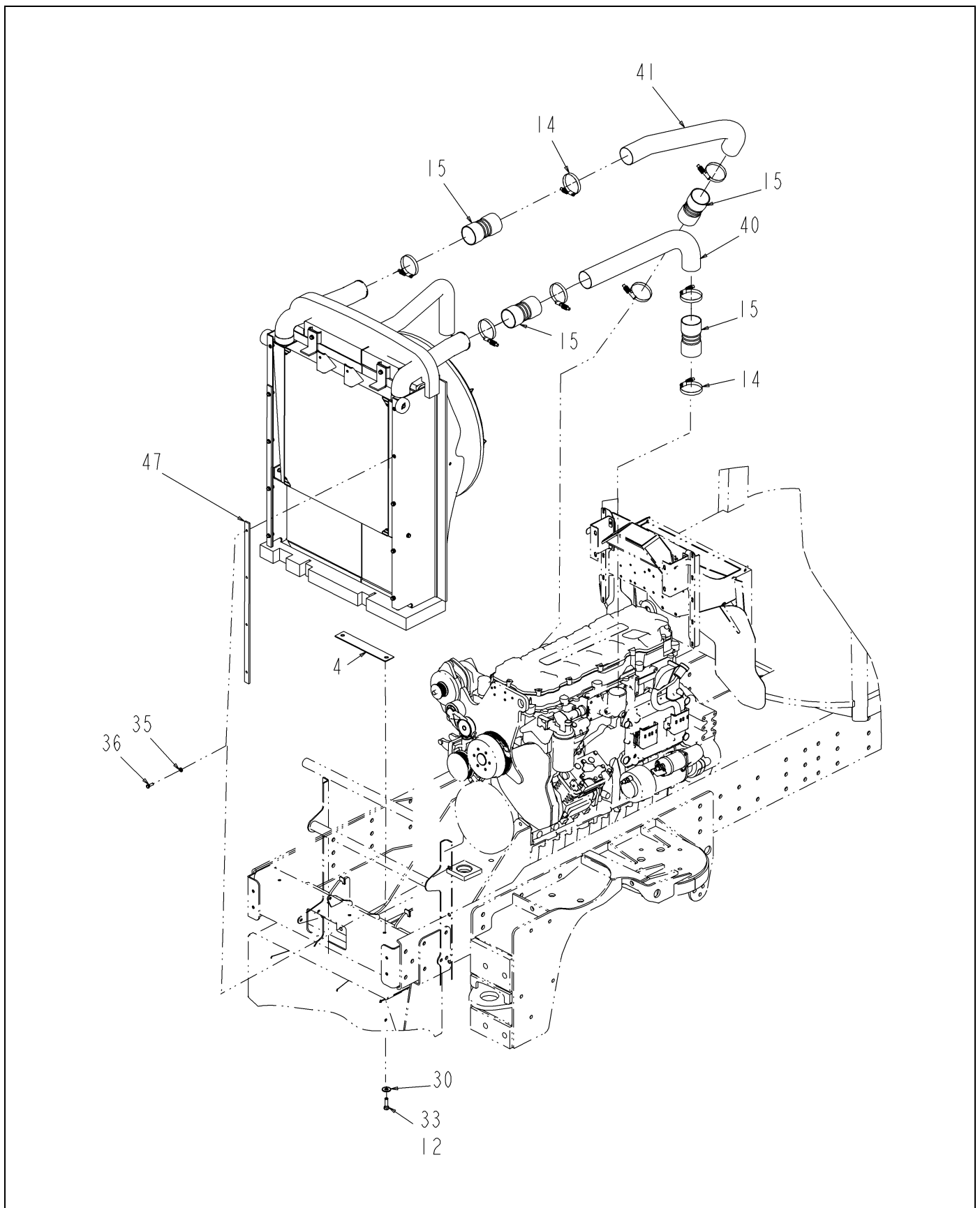


505252D1-05-R227-02.TIF

COOLING PACKAGE INSTALLATION

ITEM	PART #	QTY	DESCRIPTION	COMMENTS
1	WR19092	8	WASHER-FENDER, 3/8 ID	
2	AG124726	1	FAN-COOLING,BORG WARNER 704RF	
5	AG130381	2	SEAL-BRUSH,RADIATOR	
6	AG130382	1	BARRIER-RECIRC,FOAM,FRONT	
7	AG130384	1	SPACER-FAN,4.25	
11	AG512346	AR	3M 1300 YELLOW ADHESIVE (GAL)	
12	AG512885	AR	LOCTITE ADHESIVE SEALANT BLUE	
13	AG516403	2	NUT 0.31-18NC HEX SS REG NY	
17	AG550205	6	WASHER 0.31 LK ZN REG	
18	AG553115	1	COUPLING 0.25NPS PIPE STEEL PL	
19	AG553158	1	VALVE DRAIN COCK BR .25 18NPTF	
20	AG555193	1	NIPPLE .25NPT X .87CLS WR ST	
23	AG561209	10	SCREW .25-14X 0.62 TAP ZN HHD	
27	AG562074	2	WASHER 0.31 FL SS REG TYPE-B	
28	AG562076	2	BOLT 0.31-18NCX 1.00 SS HHD	
31	6584225	2	BUMPER-RUBBER,RECESSED	
32	400040X1	8	BOLT-M10X1.5X20 ZNDI HHD 10.9	
34	400189X1	6	BOLT-M8X1.25X140 ZNDI HHD 10.9	
38	401002X1	2	ADAP ASM-STR, -20MOR X -16ORFS	
44	505576D1	1	SHROUD-FAN BW 704RF,ATLAS	
46	516467D1	1	BARRIER-RECIRC,FOAM,TOP	

COOLING PACKAGE INSTALLATION

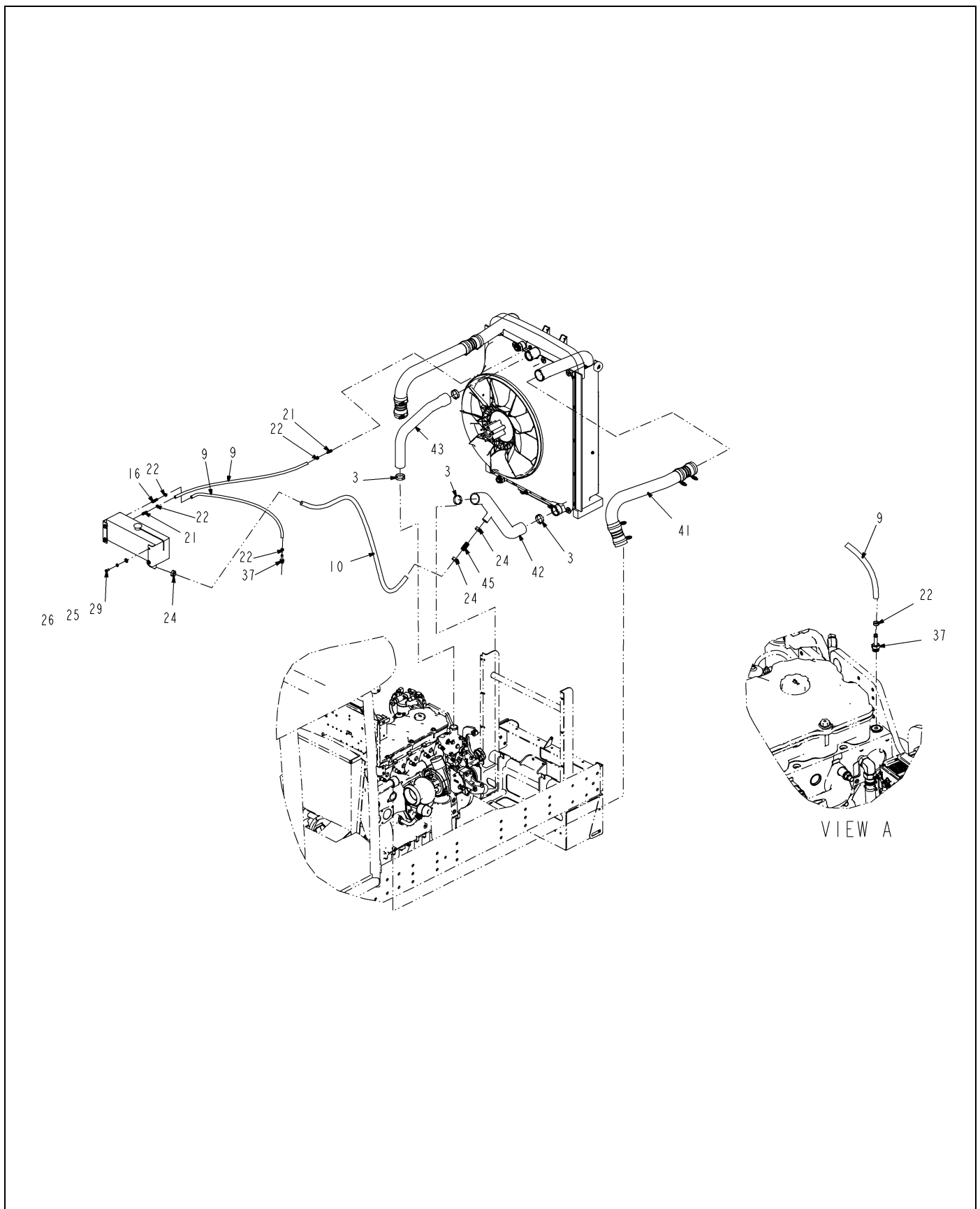


505252D1-05-R227-03.TIF

COOLING PACKAGE INSTALLATION

ITEM	PART #	QTY	DESCRIPTION	COMMENTS
4	AG130251	1	MATTING-RUBBER,,25X2.00X11.50	
12	AG512885	AR	LOCTITE ADHESIVE SEALANT BLUE	
14	AG519741	8	CLAMP-HOSE 2.75 DIA	
15	AG520209	4	HOSE-3.00 ID,AIR COOLER	
30	AG562790	2	WASHER FL METRIC#12 GEN PUR ZN	
33	400050X1	2	BOLT-M12X1.75X40 ZNDI HDD 10.9	
35	400339X1	8	WASHER-HARD 9IDX16ODX2.5 ZNDI	
36	400341X1	8	BOLT-M8X1.25X25ZNDI HDD 10.9	
40	505253D1	1	TUBE-CHARGE AIR,INLET	
41	505254D1	1	TUBE-CHARGE AIR,OUTLET	
47	516619D1	2	MATTING-RUBBER,,25X1.00X30.00	

COOLING PACKAGE INSTALLATION

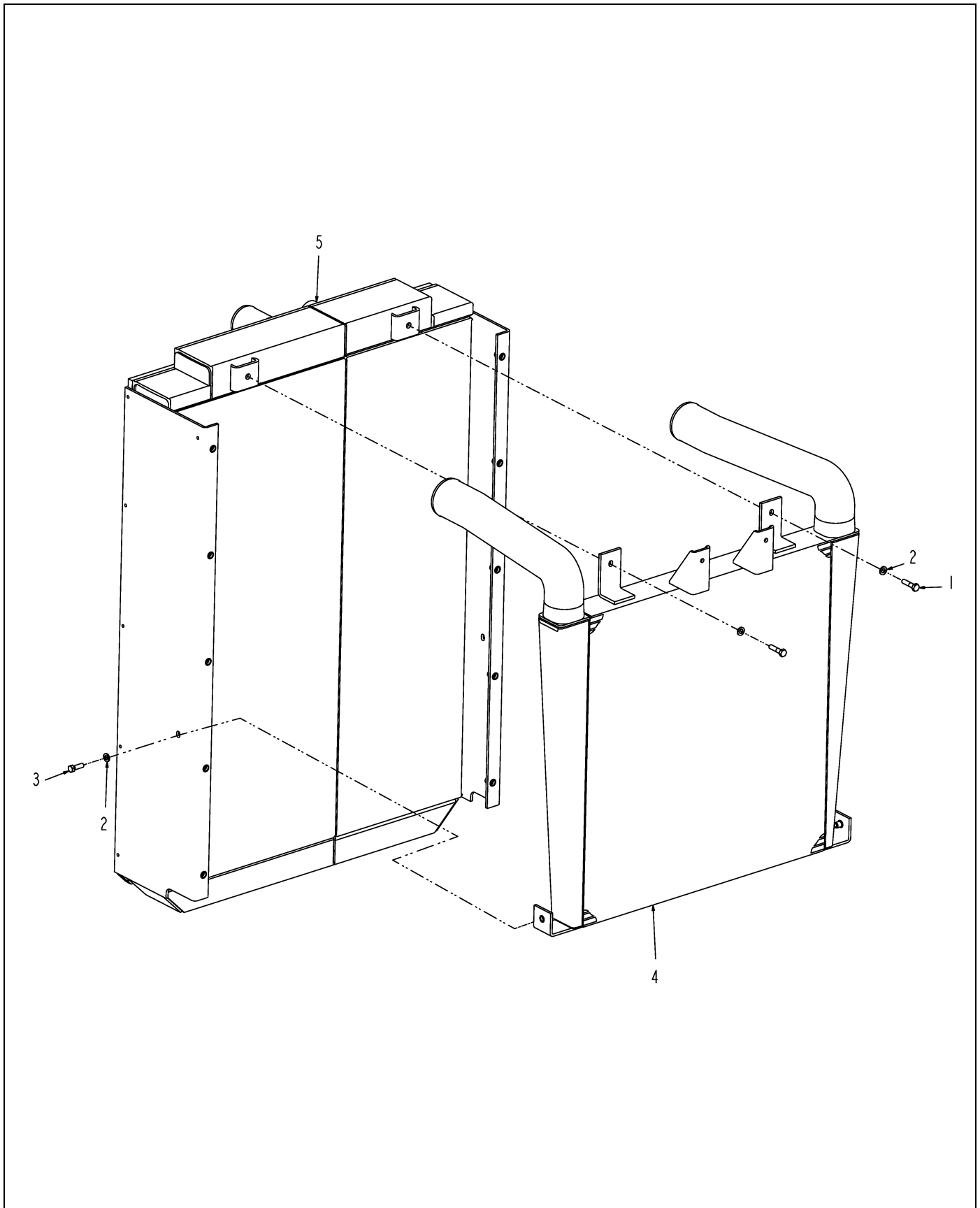


505252D1-05-R227-04.TIF

COOLING PACKAGE INSTALLATION

ITEM	PART #	QTY	DESCRIPTION	COMMENTS
3	AG125817	4	CLAMP-HOSE,HIGH TORQUE,2.75	
9	AG510939	-	HOSE HYD 0.37 BULK 250PSI WP [BULK: 159.167 FT]	
10	AG511528	-	HOSE 1.00 2BRD EPDM [BULK: 121.167 FT]	
16	AG521351	1	HOSE BARB 0.25NPTX.38HOSEW/ORF	
21	AG559415	2	ADAPTER -4FP X -6HB	
22	AG561025	4	CLAMP HOSE .218 TO .625 U5S	
24	AG561213	3	CLAMP 0.81-1.50 HOSE 16HS	
25	AG562050	4	WASHER 0.37 LK SS REG	
26	AG562073	4	WASHER 0.37 FL SS REG TYPE-B	
29	AG562120	4	BOLT 0.37-16NCX 0.75 S.S. HHD	
37	400944X1	1	ADAPTOR-8 M STOR-6 BEADLOCK	
41	505254D1	1	TUBE-CHARGE AIR,OUTLET	
42	505573D1	1	HOSE, RADIATOR INLET	
43	505574D1	1	HOSE, RADIATOR OUTLET	
45	506357D1	1	BRASS HOSE FITTING	

COOLER ASM-RAD/CAC/HOC

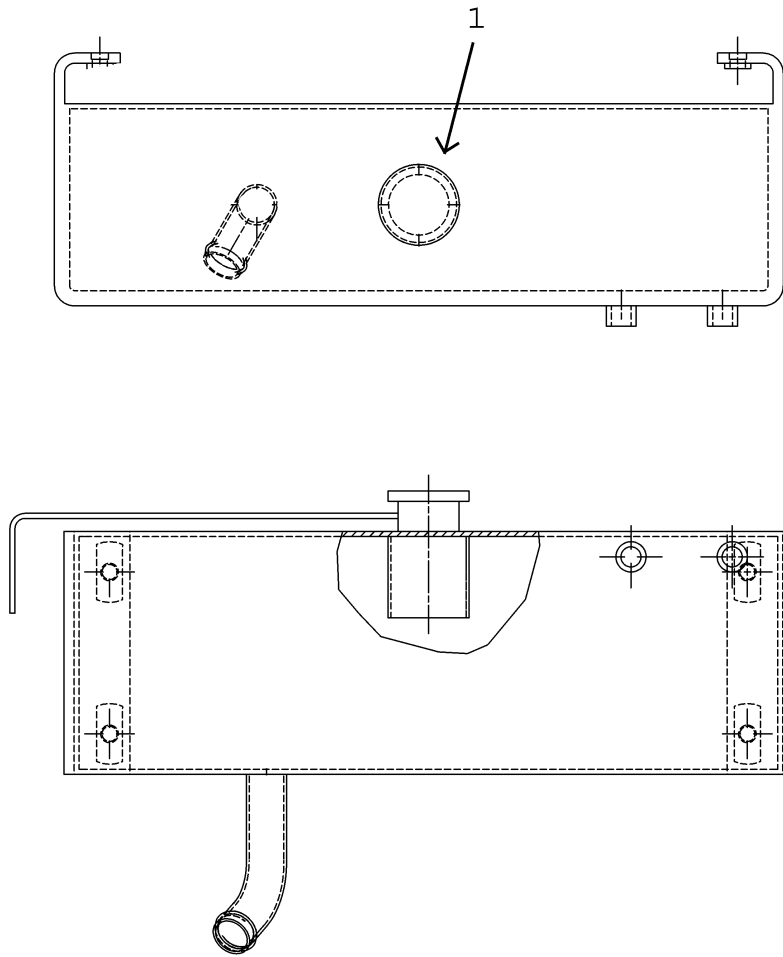


505251D1-02-R002-01.TIF

COOLER ASM-RAD/CAC/HOC

ITEM	PART #	QTY	DESCRIPTION	COMMENTS
1	400188X1	2	BOLT-M8X1.25X35 ZNDI HHD 10.9	
2	400339X1	4	WASHER-HARD 9IDX16ODX2.5 ZNDI	
3	400341X1	2	BOLT-M8X1.25X25ZNDI HHD 10.9	
4	513569D1	1	CAC	
5	514657D1	1	COOLER-RAD/OIL COOLER	

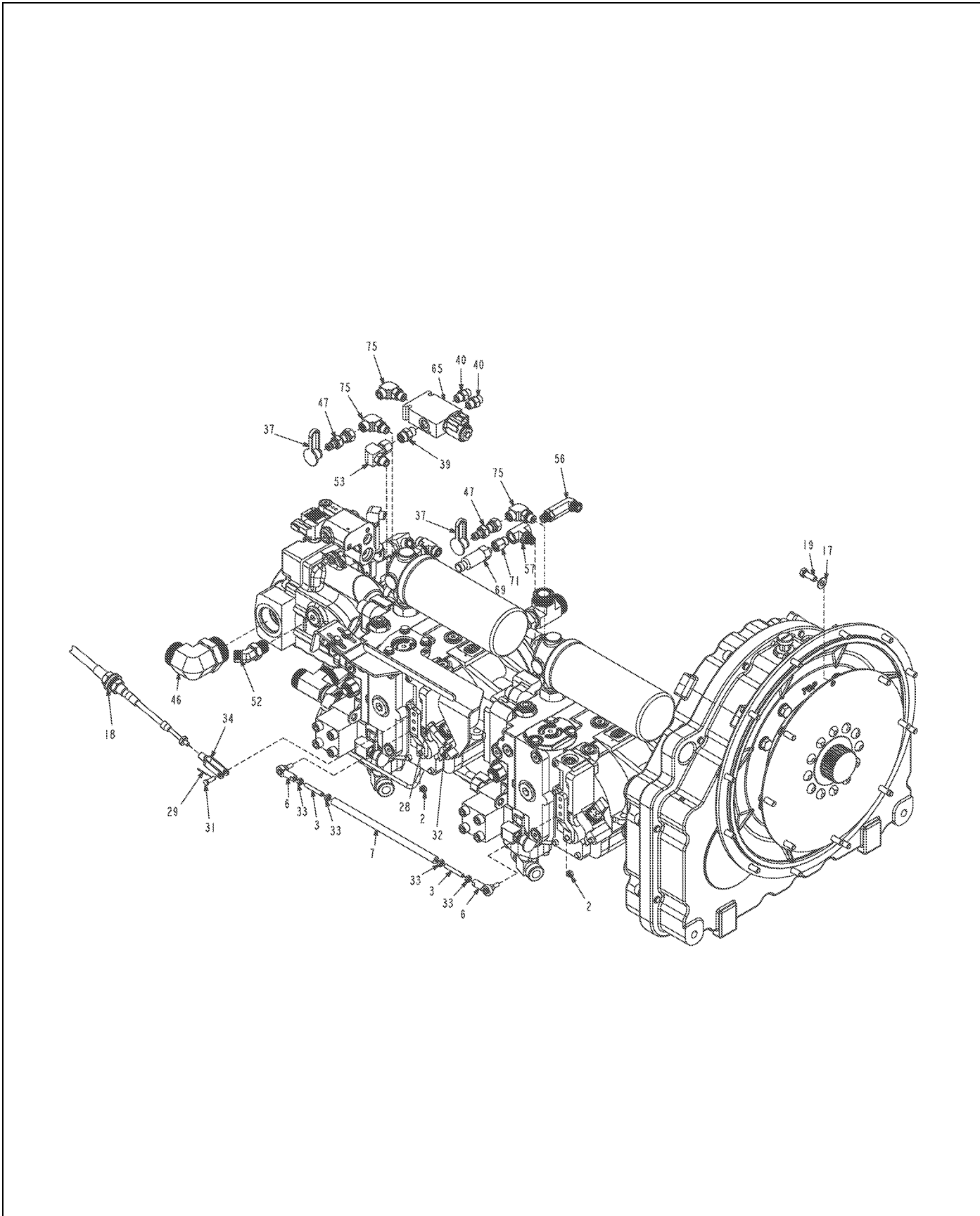
TANK-DEARATION



327703.tif

TANK-DEARATION

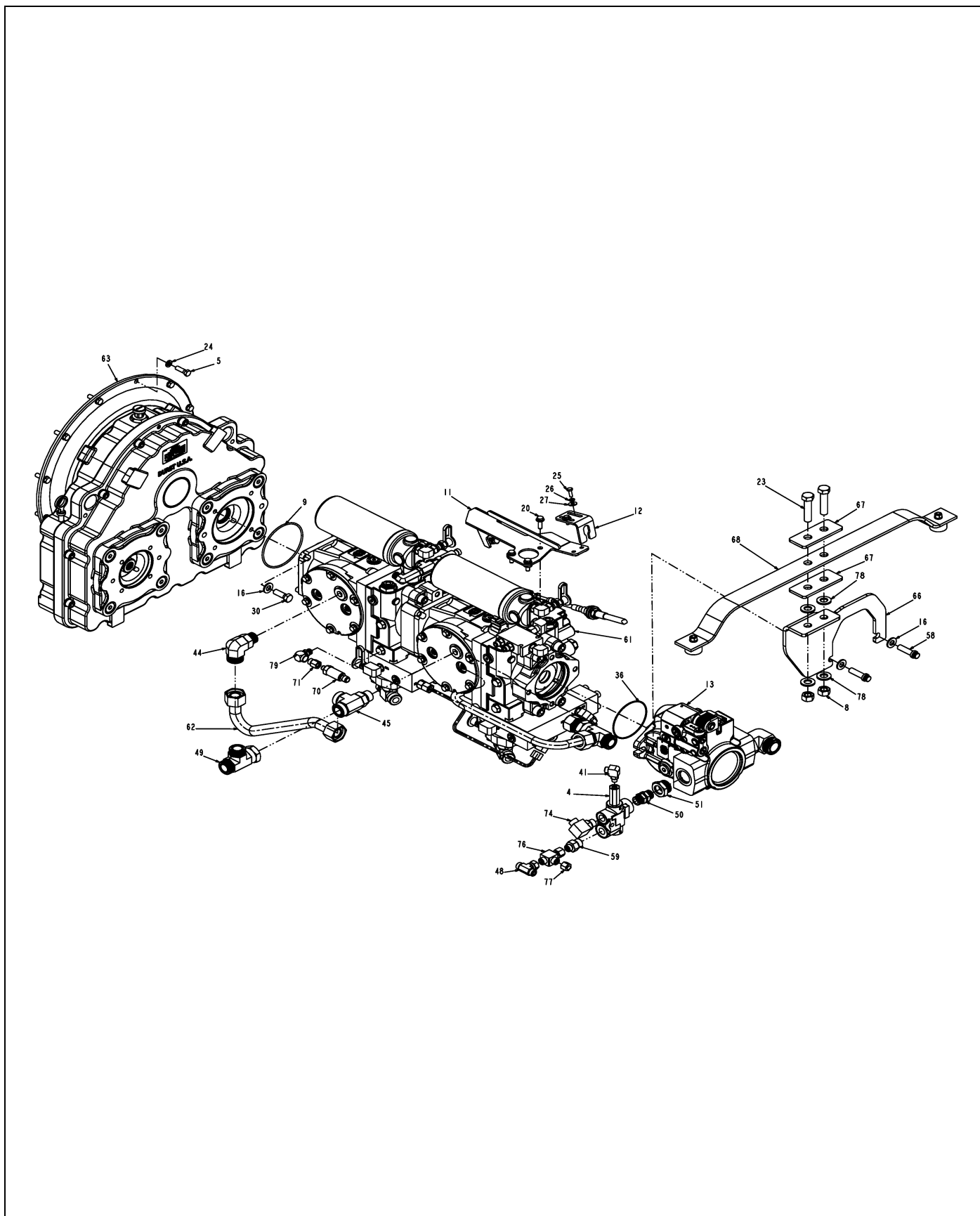
ITEM	PART #	QTY	DESCRIPTION	COMMENTS
1	AG724582	1	CAP LARGE RADIATOR 324151	



509340D1-05-R151-01.TIF

DRIVE SYSTEM INSTL

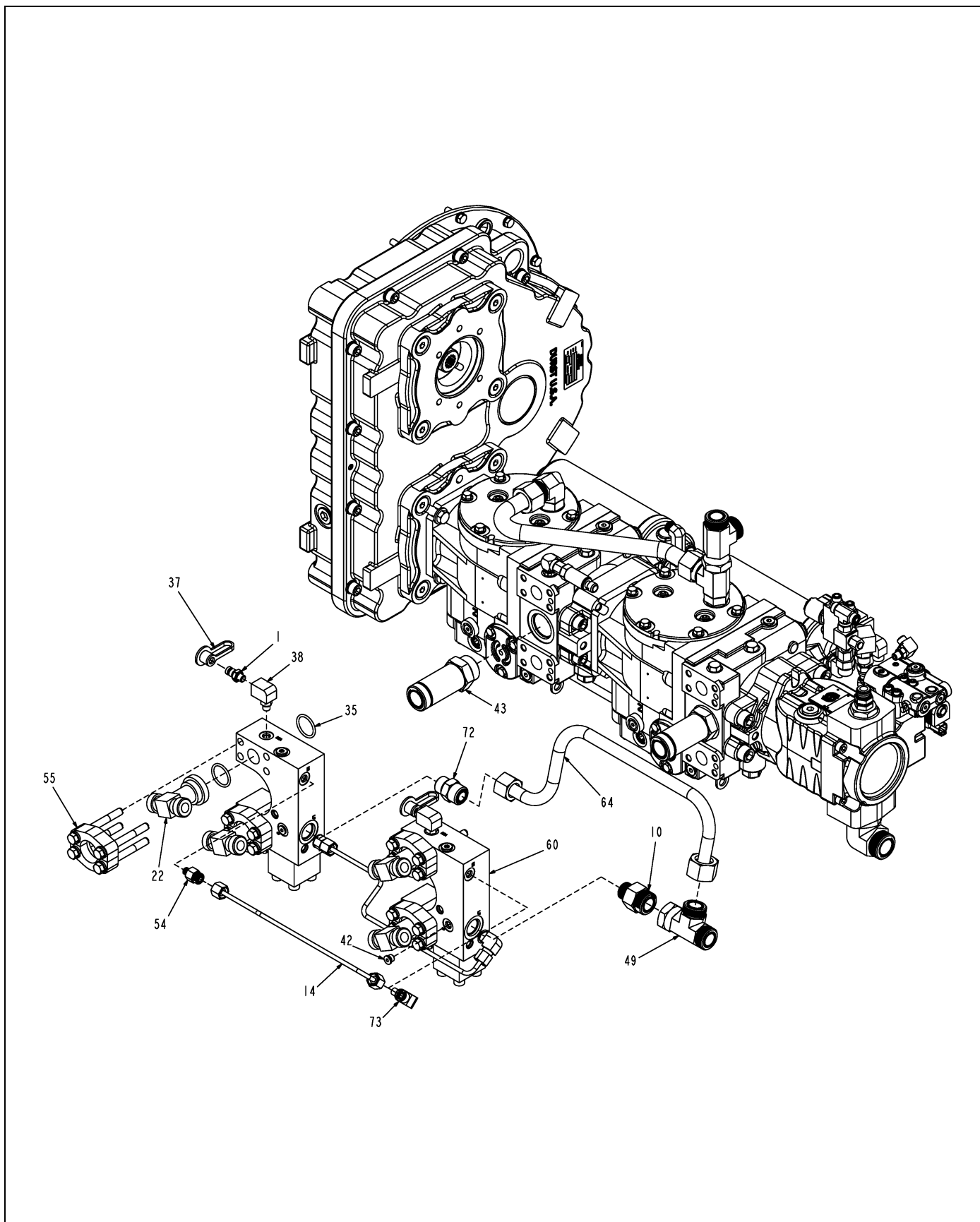
ITEM	PART #	QTY	DESCRIPTION	COMMENTS
2	WR55360	2	NUT-TOPLOCK,1/4-28UNF,	
3	AG109305	2	ROD-THREADED	
6	AG122639	2	JOINT-BALL SWIVEL,25-28UNF	
7	AG123965	1	TUBE-LINKAGE,PUMP,10.25	
15	AG512885	AR	LOCTITE ADHESIVE SEALANT BLUE	
17	AG514559	8	WASHER 0.37 FL ZN SAE TYP-A G8	
18	AG515180	2	WASHER 0.62 FL ZN SAE TYP-A G8	
19	AG518500	8	BOLT 0.37-16NCX 1.00 G8 ZN HHD	
21	AG523432	-	LUBT-EP,SILVER STREAK 200,HVY	
28	AG550779	1	BOLT 0.37-16NCX 1.50 G5 ZN HHD	
29	AG555452	1	PIN COTTER 0.06X0.75 ZN	
31	AG560553	1	PIN CLEVIS 0.25X0.87 ZN	
32	AG561659	1	NUT 0.37-16NC HEX ZN JAM G5	
33	AG562121	6	NUT 0.25-28NF HEX SS REG	
34	AG602124	1	CLEVIS 0.25X0.25-28 THD ZN	
37	400323X1	6	CAP-DUST 12.6 DIA -RUBBER	
39	400367X1	1	CONNECTOR AS-6 STOR -6 ORFS	SEE PAGE 5-82
40	400630X1	2	CONNECTOR AS-STR-6STOR-4ORFS	SEE PAGE 5-51
46	401021X1	1	ELBOW ASM-90D,-24MOR X -200RFS	SEE PAGE 5-56
47	401024X1	2	NIPPLE-TEST PORT,PD,-06 ORFS	
52	401259X1	1	ELBOW ASM-45D,-10MOR X-8ORFS	SEE PAGE 5-59
53	401263X1	1	ELBOW AS-90D 6STORX6 ORFS SWVL	SEE PAGE 5-60
56	401293X1	1	ELBOW ASM-90L,-06STOR X-06ORFS	SEE PAGE 5-62
57	401338X1	1	TEE-AS-BR,-6 STOR X-6 FEM STOR	SEE PAGE 5-63
65	513567D1	1	VALVE-HYD,LADDER CONTROL	
69	517408D1	1	TRANSDUCER-PRES,750 PSI	
71	CH148-8305	2	ADAPTER AS-6 STOR X 4 STOR	SEE PAGE 5-66
75	CH148-8378	3	ELBOW AS-90-6STOR X 6ORFS	



509340D1-05-R151-02.TIF

DRIVE SYSTEM INSTL

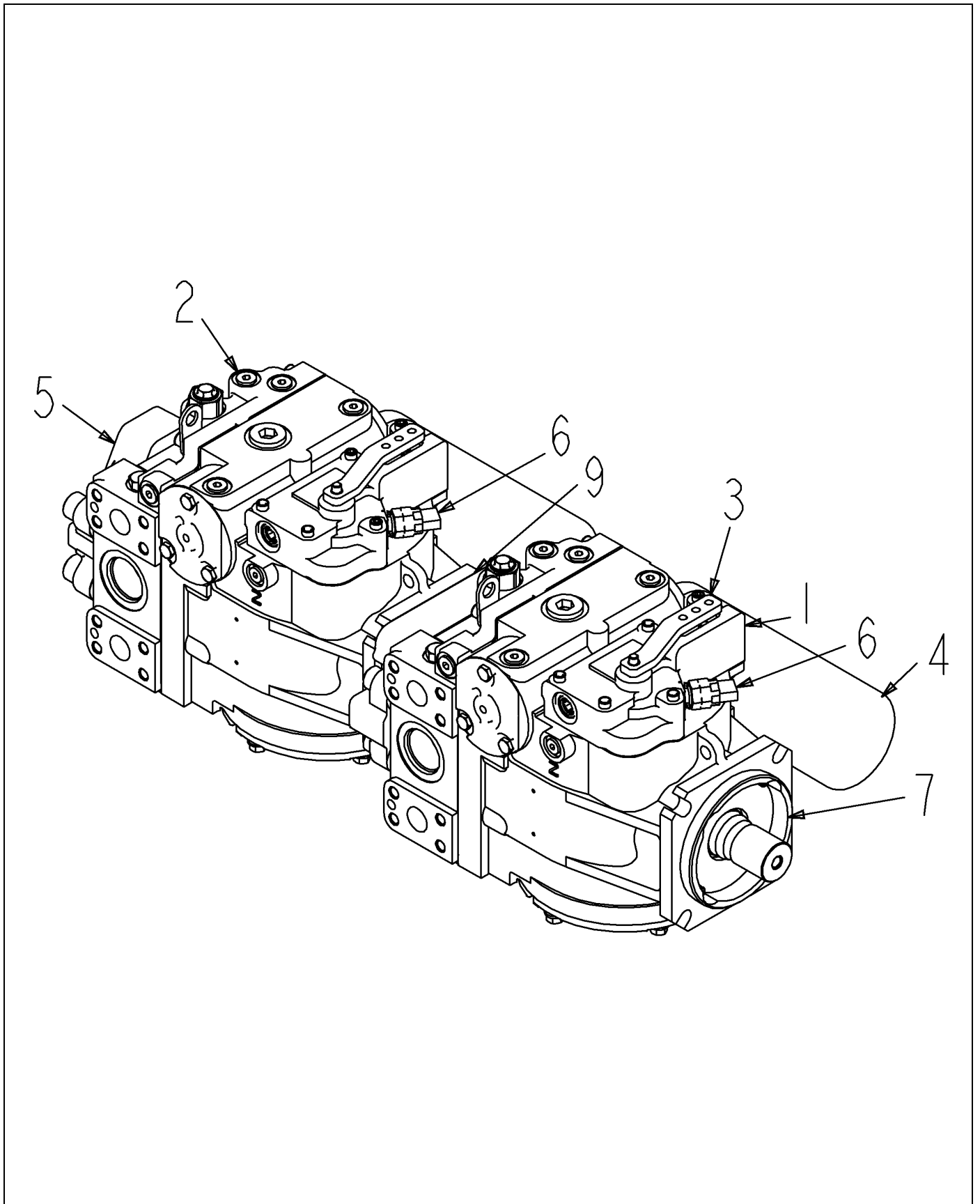
ITEM	PART #	QTY	DESCRIPTION	COMMENTS
4	AG120959	1	VALVE-PRIORITY,OLS 80,80 L/MIN	SEE PAGE 5-49
5	AG122155	12	BOLT HEX 3/8-16 UNC X1.25 G8ZN	
8	AG125312	2	NUT-.62-11NC GR8 HEX ZY	
9	AG127042	-	O-RING,248-90,EATON PUMP	
11	AG134381	1	BRKT-WLDMT,HYDRO CONTROL,""C""	
12	AG134384	1	BRKT-MTG,HYDRO CONTROL,""C""	
13	AG134678	1	PUMP-HYD,25CC PC,B PAD	SEE PAGE 1-46
16	AG514554	6	WASHER 0.50 FL ZN SAE TYP-A G8	
20	AG522855	3	BOLT-M8-1.25X25,CL10.9,BLK,FLG	
23	AG524199	2	BOLT 0.62-11X2.75 G8 ZN HHD FT	
24	AG550191	12	WASHER 0.37 LK ZN REG	
25	AG550485	2	BOLT 0.25-20NCX 0.75 G5 ZN HHD	
26	AG550493	2	WASHER 0.25 LK ZN REG	
27	AG550507	2	WASHER 0.25 FL ZN REG TYPE-B	
30	AG559237	6	BOLT 0.50-13NCX 1.50 G8 ZN HHD	
36	AG714257	1	O RING,4.00 ID X.09W,B-PAD	
41	400650X1	1	ELBOW AS.-90DEG 4STOR X 4ORFS	SEE PAGE 5-52
44	401013X1	1	ELBOW ASM-90D,-12MOR X -160RFS	SEE PAGE 5-54
45	401015X1	1	TEE ASM-RUN,-12MOR X -160RFS	SEE PAGE 5-55
48	401071X1	1	TEE AS, -6ORFS	SEE PAGE 5-95
49	401209X1	1	TEE ASM-RUN -16 ORFS SWIVEL	
50	401255X1	1	UNION ASM,-10 STOR X-10 STOR	SEE PAGE 5-57
51	401257X1	1	ADAP ASM,-16STOR X -10FEM STOR	SEE PAGE 5-58
58	401440X1	2	BOLT-.50-13X1.75,12PT,GR8,ZN	
59	500533D1	1	CONNECTOR AS - 6ORFS X 10STOR	SEE PAGE 5-64
61	508978D1	1	PUMP-TANDEM,SAUER,100CC X2	SEE PAGE 1-32
62	509342D1	1	TUBE-HYD,HYDRO CASE DRAIN	
63	509852D1	1	GEARBOX-DBL PUMP DR,DROP,1.37	SEE PAGE 3-2
67	515179D1	2	PLATE,SPRING,PUMP SUPPORT	
68	515178D1	1	BRACKET,L-DROP,PUMP SUPPORT	
70	517409D1	1	TRANSDUCER-PRES,7500 PSI (MV)	
71	CH148-8305	2	ADAPTER AS-6 STOR X 4 STOR	SEE PAGE 5-66
74	CH148-8364	1	ELBOW AS-90D 8STOR-8ORFS	
76	CH148-8433	1	TEE AS-6 ORFS X 3	SEE PAGE 5-68
77	CH6V-9828	1	CAP-ASSEMBLY	
78	CH8T-4122	AR	WASHER HARD-17IDX32ODX3.5MM	
79	WR41815	1	ELBOW-90,-06FB/-06MB	
	FOOTNOTE [A]		EFF. S/N A00SSVNSS81295,A00SSLNSS11296,A1286LNS001042A,A128 6HNS001043S,A1286ENS001044,A1286CNS001045,A1286KNS 001048A	



509340D1-05-R151-03.TIF

DRIVE SYSTEM INSTL

ITEM	PART #	QTY	DESCRIPTION	COMMENTS
1	WR32723	4	COUPLING-MPD/-04MB	
10	WR128879	1	ADAPTER -16ORFS X -12ORB	
14	AG136404	2	TUBE-HYD,DRIVE PRESSURE	
22	AG523734	4	TEE-RUN,.75 ORFS(2)X1.00FLH 62	
35	AG609418	4	O-RING,32.92IDX3.53MM,BUNA-N90	
37	400323X1	6	CAP-DUST 12.6 DIA -RUBBER	
38	400364X1	4	ELBOW AS-4PORT-ORP 90° & ORING	SEE PAGE 5-23
42	400947X1	2	PLUG AS-HEX -4STOR	
43	401011X1	2	ADAP ASM-LONG,-20MOR X -200RFS	SEE PAGE 5-53
49	401209X1	1	TEE ASM-RUN -16 ORFS SWIVEL	
54	401265X1	2	ADP AS-RST,-04STORX-06ORFS.062	SEE PAGE 5-61
55	401267X1	4	FLANGE KIT-CODE 62,-16,4.00 BL	SEE PAGE 3-3
60	508770D1	2	BLOCK-HYD LOOP FLUSH	SEE PAGE 5-65
64	511521D1	1	TUBE-HYD,HYDRO LOOP FLUSH	
72	CH148-8327	2	CONNECTOR AS-12 ORFSX 12STOR	SEE PAGE 5-67
73	CH148-8361	2	ELBOW AS-90 DEG 4 STOR X6 ORFS	

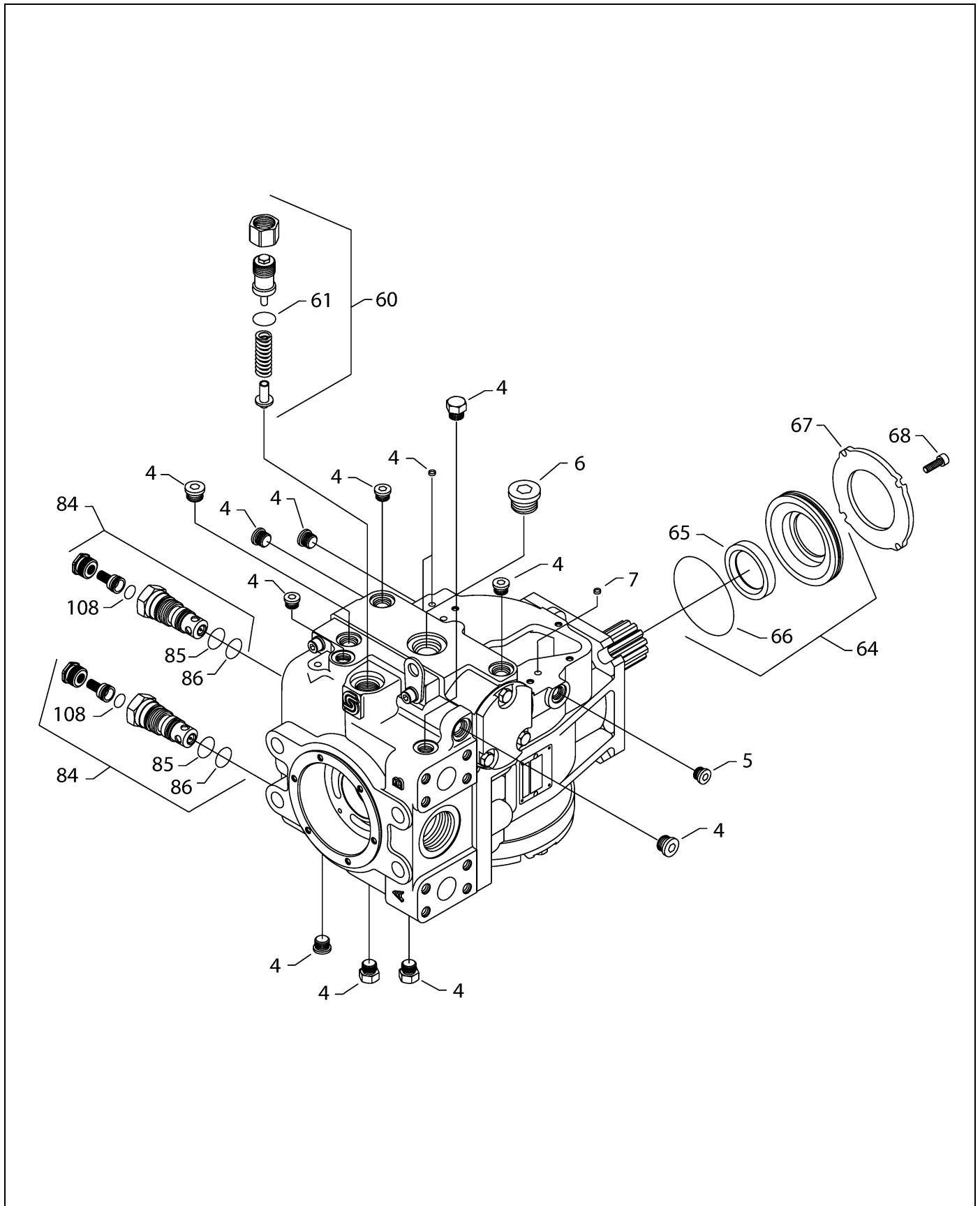


508978D1-02-R187-02.TIF

PUMP-TANDEM,SAUER,100CC X2

ITEM	PART #	QTY	DESCRIPTION	COMMENTS
1	508979D1	1	PUMP-HYD,REAR HYDRO(508978D1)	SEE PAGE 1-44
2	508980D1	1	PUMP-HYD,FRONT HYDRO(508978D1)	SEE PAGE 1-38
3	AG132292	2	ARM-PUMP CONTROL	
4	AG133231	2	ELEMENT-FILTER,OIL,SAUER PUMP	
5	AG714257	1	O RING,4.00 ID X.09W,B-PAD	
6	AG133277	2	SWITCH-NEUTRAL START,SAUER	
7	AG133278	1	KIT-SEAL,FRONT,SAUER	
8	AG133279	2	KIT-SEAL,COMPLETE,SAUER 100CC	
9	AG134396	1	O-RING,C-PAD,SAUER TANDEM	

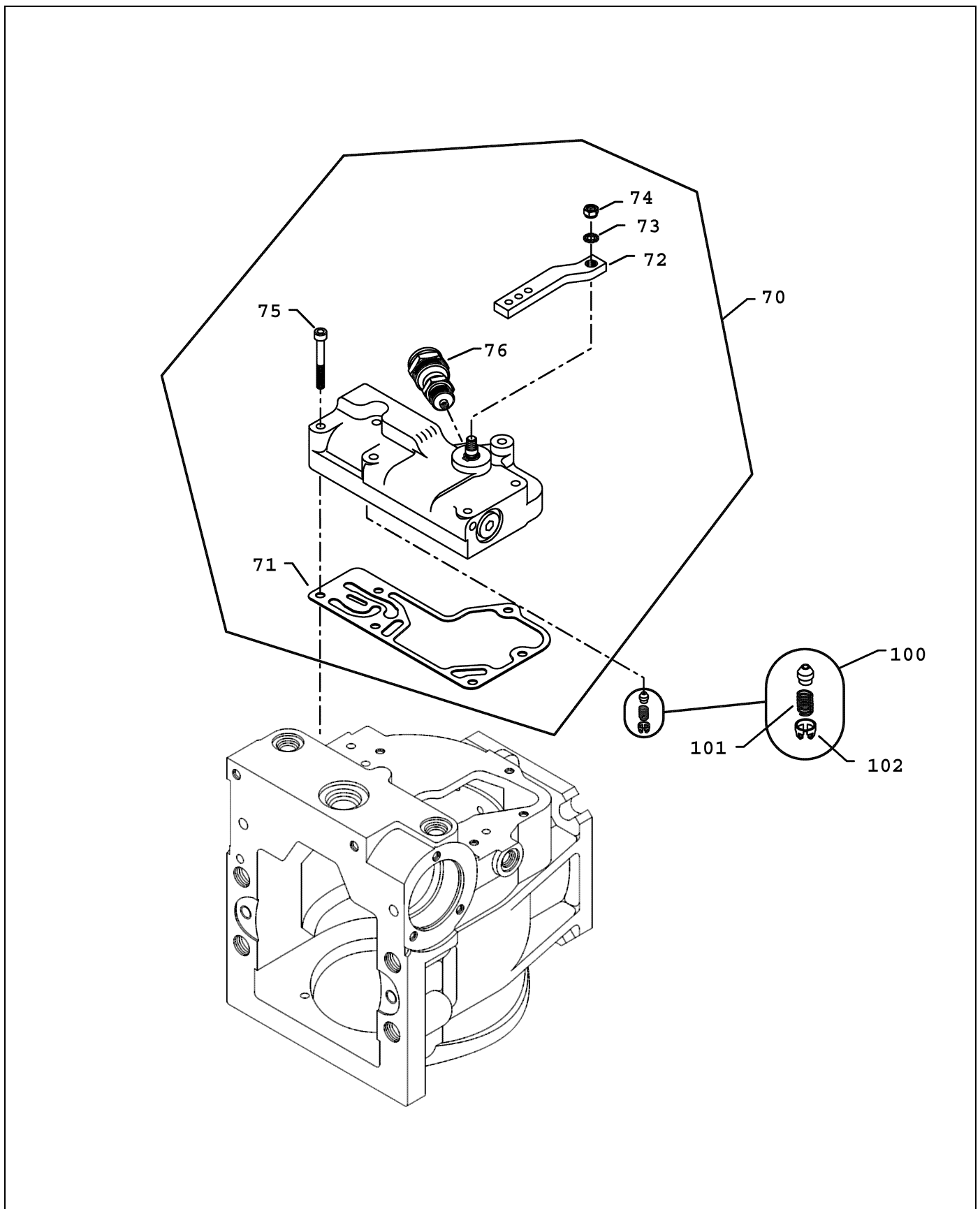
PUMP-HYD,FRONT HYDRO



508980D1-01-1.TIF

PUMP-HYD,FRONT HYDRO

ITEM	PART #	QTY	DESCRIPTION	COMMENTS
0	AG714257	1	O RING,4.00 ID X.09W,B-PAD	
0	AG137568	1	KIT/GASKET SEAL OVERHAUL	
4	700725864	13	PLUG	
5	71374873	1	PLUG	
6	1077605M1	1	PLUG	
7	71355339	3	FILTER/CONTROL SCREEN	
14	71374882	1	SCREW	
51	71774840	1	SCREW	
54	AG134396	1	O-RING,C-PAD,SAUER TANDEM	
60	71374918	1	KIT/CHARGE RELIEF VALVE	
61	70928486	1	O-RING	
64	AG133278	1	KIT-SEAL,FRONT,SAUER	
65	1077666M1	1	SEAL/LIP	
66	70937632	1	O-RING	
67	71374839	1	PLATE/RETAINING	
68	71374840	1	SCREW/METRIC	
74	71374867	1	NUT	
84	AG722601	1	VALVE-MULTI-FUNCTIONAL	
85	AG137565	1	O-RING	
86	1077682M1	1	O-RING	
94	1077611M1	1	RING/RETAINING	
103	AG137570	4	WASHER	
104	AG137569	4	SCREW	
108	AG332306	4	ORING	

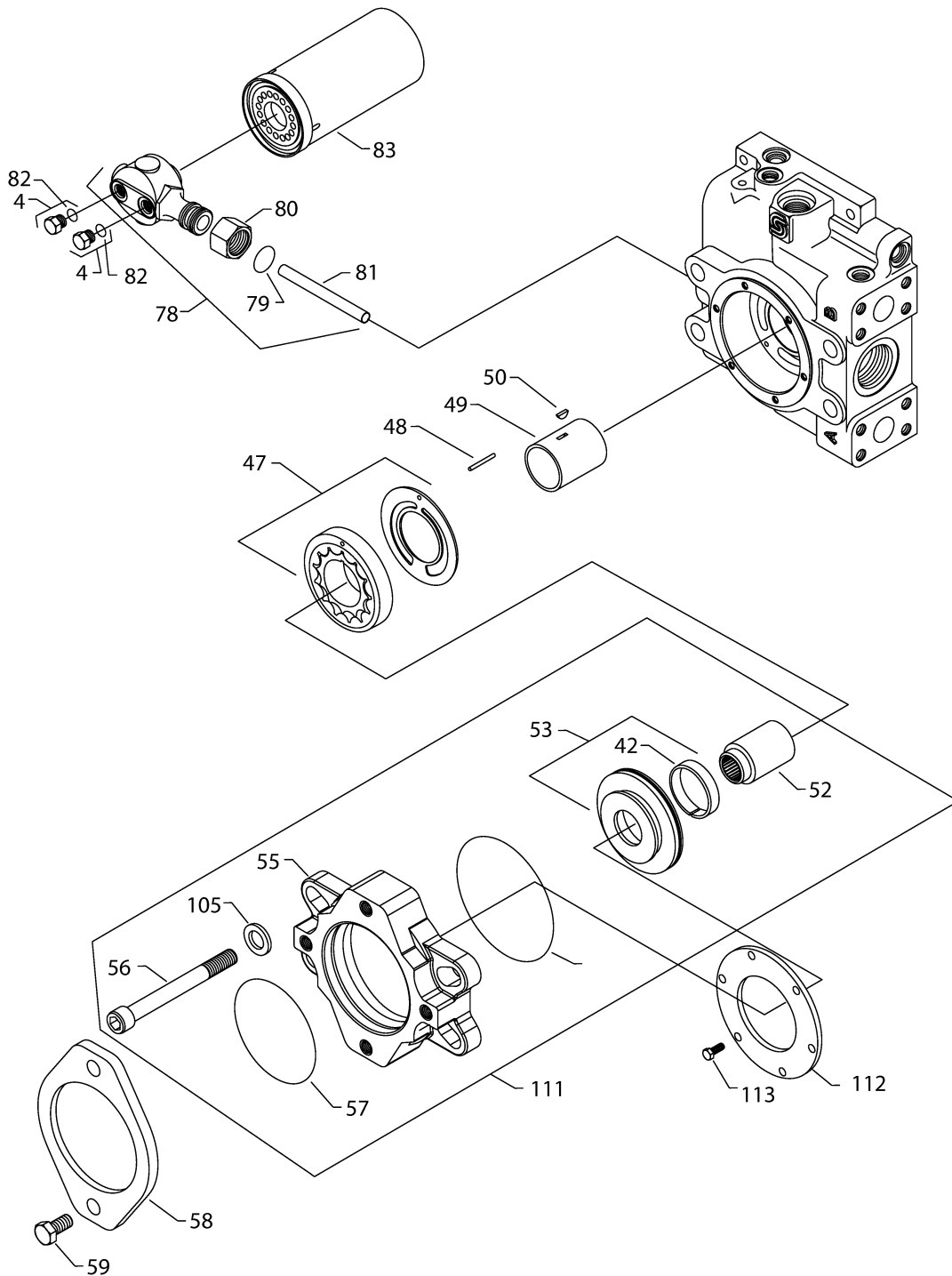


508980D1-01-2.TIF

PUMP-HYD,FRONT HYDRO

ITEM	PART #	QTY	DESCRIPTION	COMMENTS
70	AG137559	1	KIT/MDC NEUTRAL SWITCH	
71	AG137560	1	GASKET/CONTROL	
72	AG137561	1	HANDLE/SHAFT CONTROL	
73	71374866	1	WASHER/TOOTHLOCK	
75	1077673M1	6	SCREW	
76	AG137562	1	KIT/NEUTRAL START SWITCH	
79	71396139	1	O-RING	
100	AG137567	1	KIT/ORIFCE CONTROL .040	
101	71374908	1	SPRING	
102	71374909	1	SPRING/RETAINER	

PUMP-HYD,FRONT HYDRO

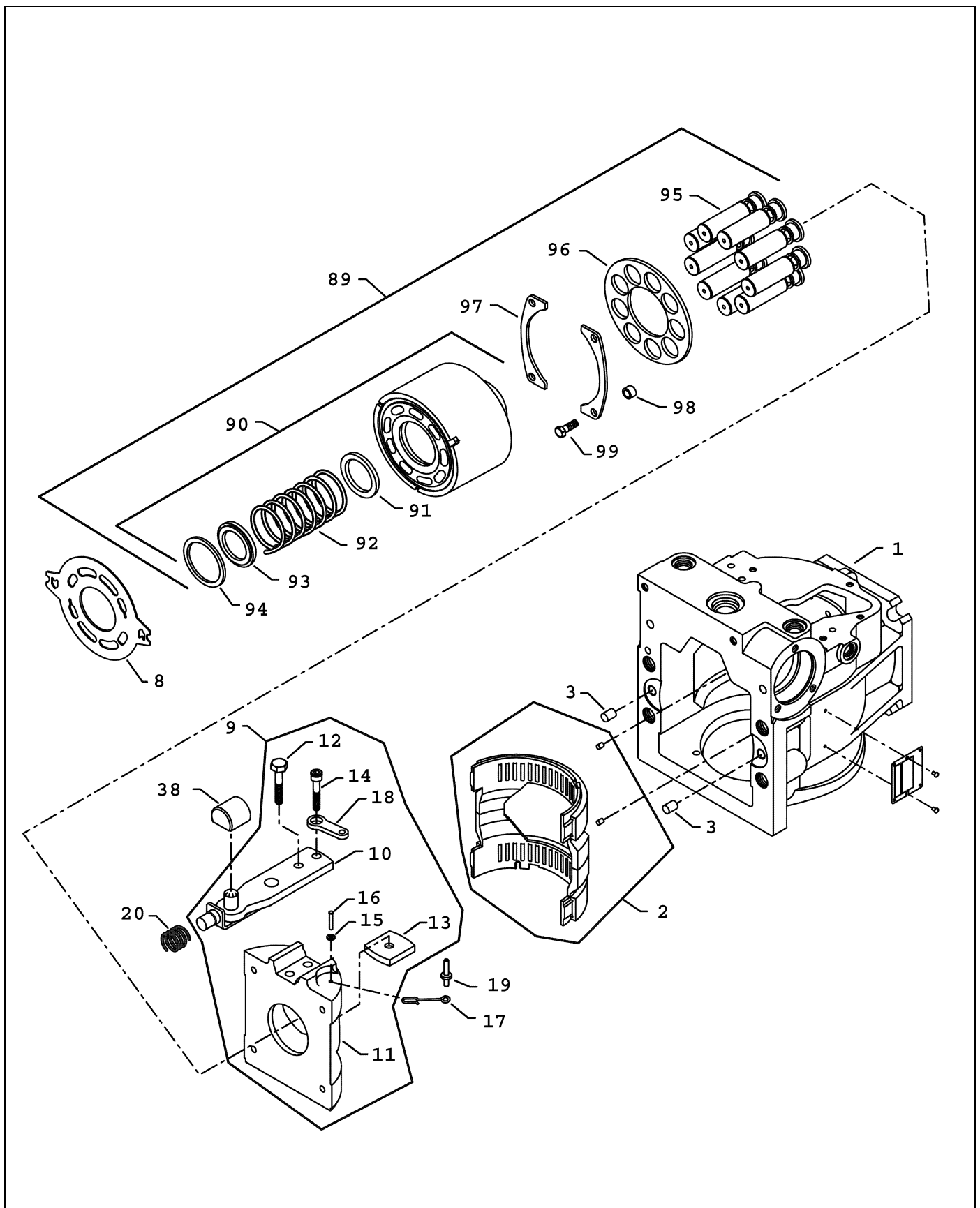


508980D1-01-3.TIF

PUMP-HYD,FRONT HYDRO

ITEM	PART #	QTY	DESCRIPTION	COMMENTS
4	700725864	13	PLUG	
42	71374894	1	BUSHING	
47	AG137549	1	PUMP/CHARGE SET	
48	AG137550	1	PIN	
49	AG137551	1	SHAFT/CHARGE PUMP	
50	1077656M1	1	KEY	
52	AG137552	1	COUPLING	
53	AG137553	1	COVER/CHARGE PUMP RH	
55	AG332303	1	FLANGE/ADAPTER	
56	AG137555	4	SCREW/SOCKET HEAD	
57	AG332304	1	ORING	
58	WR41726	1	COVER-SAE 2-BOLT B-PAD	
59	AG137558	2	SCREW	
78	AG332305	1	FILTER/MANIFOLD ASSEMBLY	
79	71396139	1	O-RING	
80	AG137563	1	NUT	
81	AG137564	1	TUBE	
82	AG727297	2	O-RING	
83	AG133231	1	ELEMENT-FILTER,OIL,SAUER PUMP	
105	1081725M1	4	WASHER	
111	71410770	1	KIT/MOUNTING-AUX	
112	71409661	1	PLATE/RETAINING	
113	1077658M1	6	SCREW	

PUMP-HYD,FRONT HYDRO

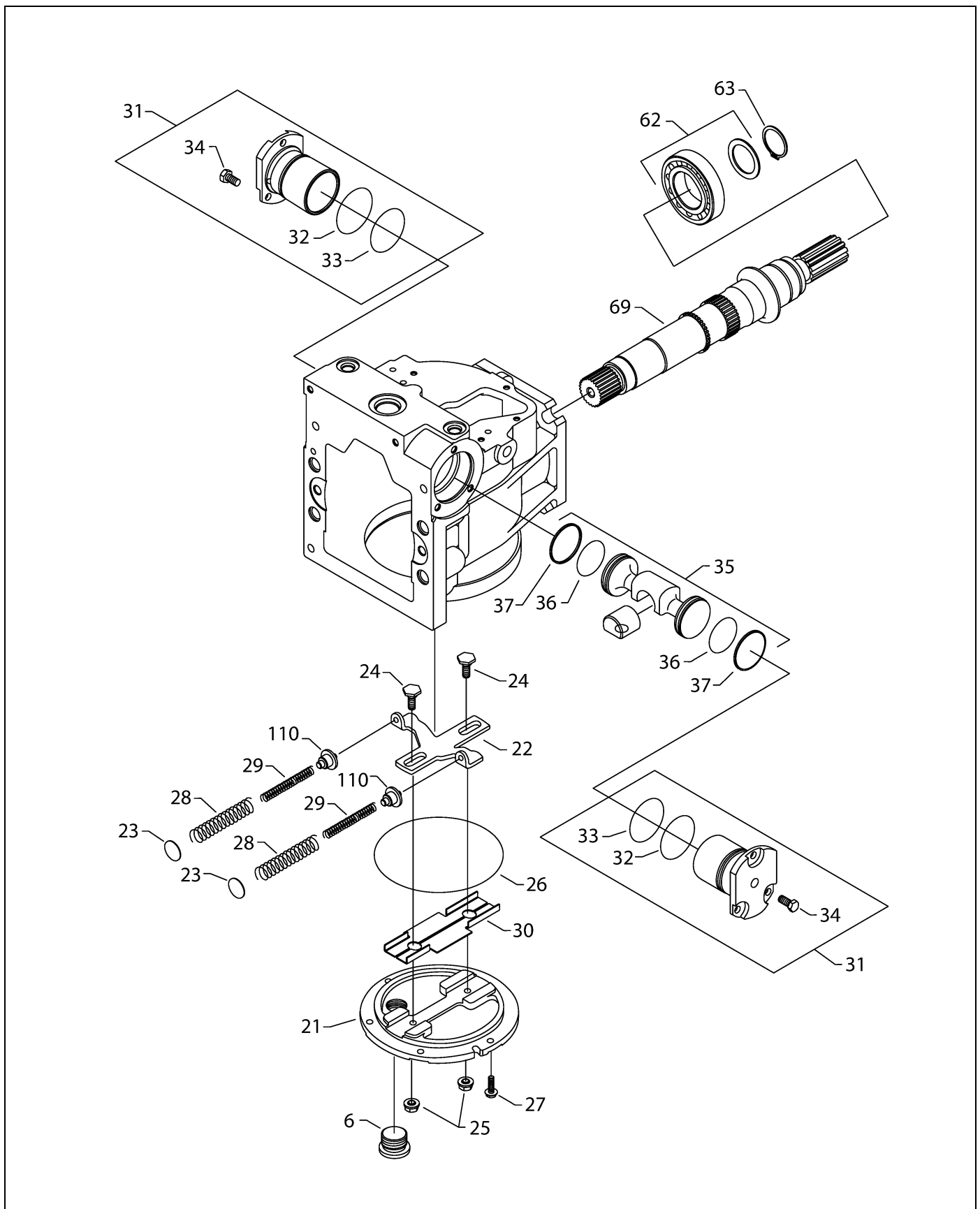


508980D1-01-4.TIF

PUMP-HYD,FRONT HYDRO

ITEM	PART #	QTY	DESCRIPTION	COMMENTS
1	71374958	1	VARIABLE HOUSING	
2	71374872	1	BEARING ASM	
3	71355340	2	PIN	
8	AG332309	1	VALVE/PLATE	
9	71374876	1	SWASHPLATE/VARIABLE ASM	
10	71374877	1	SERVO/ARM ASM	
11	71374879	1	SWASHPLATE/VARIABLE	
12	71374880	1	SCREW	
13	71374881	1	SWASHPLATE/GUIDE	
15	71374883	1	WASHER	
16	71374884	1	PIN/SPIRAL	
17	71374875	1	CAGE/LOCATER LINK	
18	AG137544	1	LINK/FEEDBACK	
19	AG137545	1	PIN	
20	71374886	1	SPRING	
38	1077635M1	1	BLOCK/SLIDER	
89	71396140	1	KIT/CYLINDER BLOCK	
90	71374842	1	CYLINDER/BLOCK ASM	
91	71374844	1	SPRING	
92	71374843	1	SPRING/SEAT	
93	71374845	1	SPRING/RETAINER	
95	71374846	9	PISTON/WELDED ASM	
96	71374847	1	GUIDE/SLIPPER	
97	71374904	2	BEARING/SLIPPER GUIDE	
98	71396141	4	SPACER	

PUMP-HYD,FRONT HYDRO

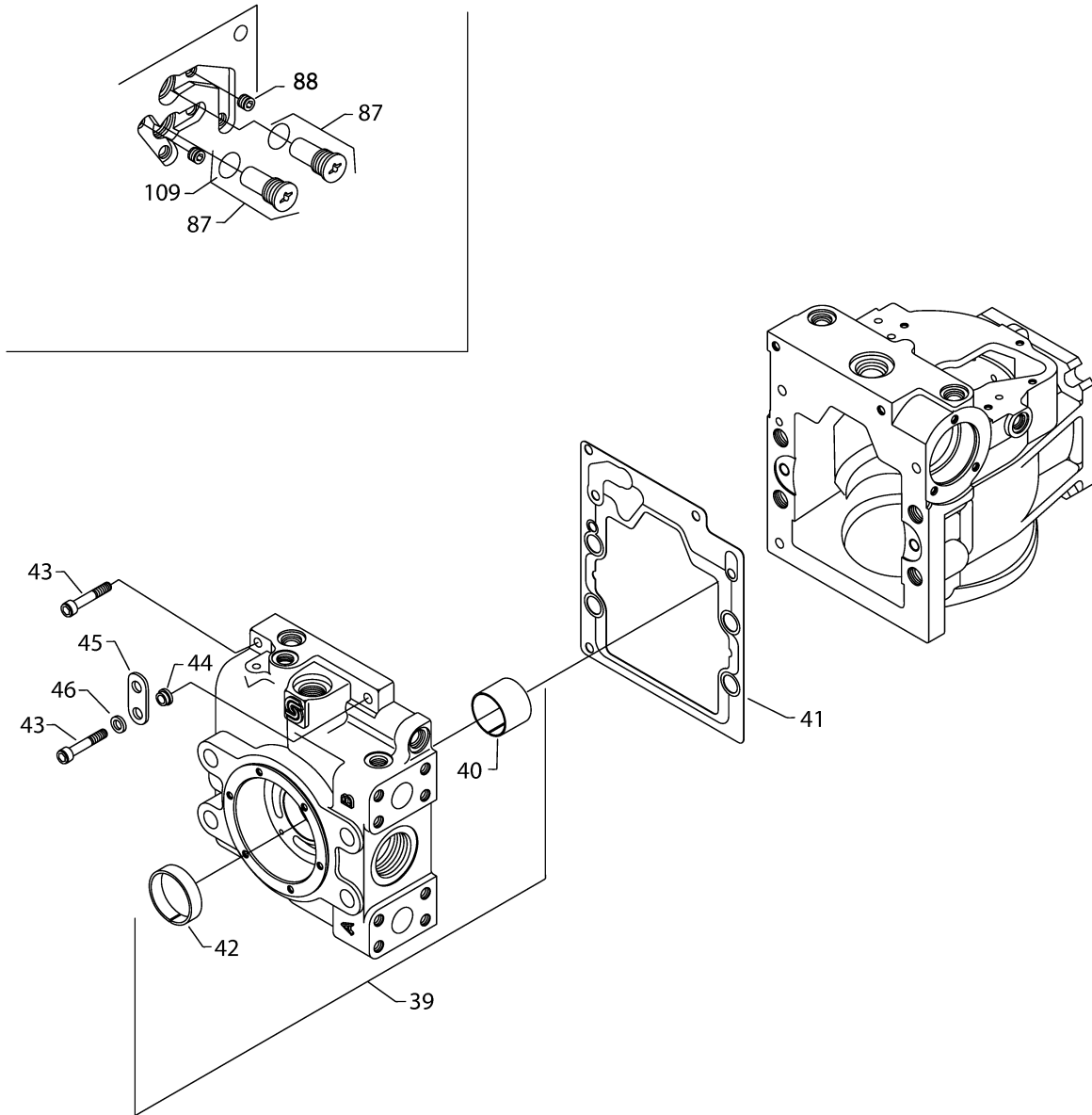


508980D1-01-5.TIF

PUMP-HYD,FRONT HYDRO

ITEM	PART #	QTY	DESCRIPTION	COMMENTS
6	1077605M1	1	PLUG	
21	71374960	1	COVER/SIDE	
22	AG137546	1	LEVELER ASM	
23	71396130	2	SHIM	
24	AG137547	2	GUIDE POST	
25	1077627M1	2	NUT	
26	1077628M1	1	O-RING	
27	71374890	6	SCREW	
28	71374891	2	SPRING	
28	AG332321	2	SPRING	
29	AG332308	2	SPRING	
30	AG137548	1	COVER/SIDE INSERT ASM	
31	71374901	2	KIT/SERVO CYLINDER	
32	1077636M1	2	O-RING	
33	1077637M1	2	O-RING	
34	1077638M1	6	SCREW	
35	71396133	1	KIT/SERVO PISTON	
36	1077633M1	2	O-RING	
37	71358545	2	PISTON RING	
62	71374952	1	BEARING/ROLLER	
63	1077664M1	1	RING/RETAINING	
69	AG137575	1	SHAFT/TOOTH SPLINE	
110	AG332307	2	SPRING/SEAT	

PUMP-HYD,FRONT HYDRO

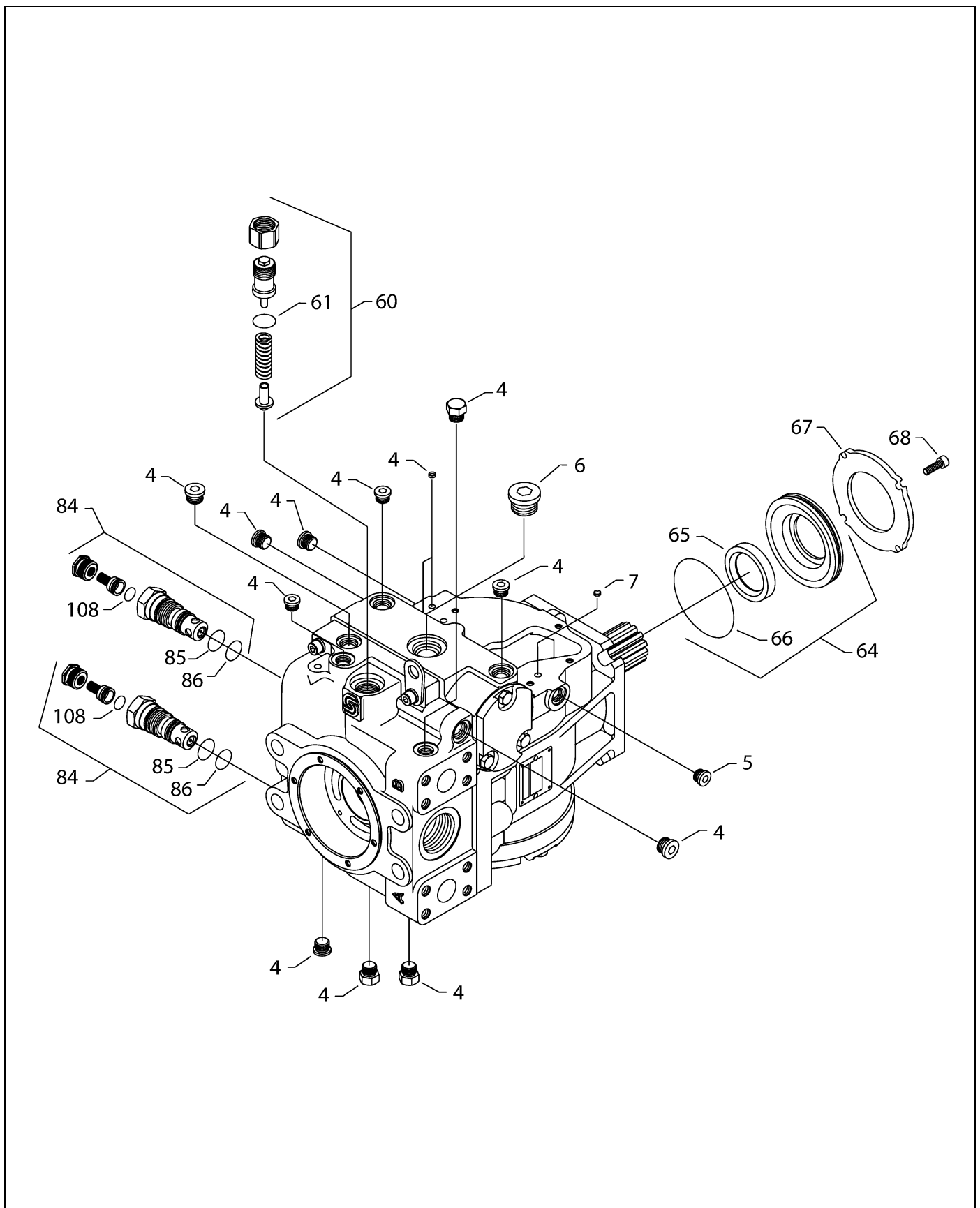


508980D1-01-6.TIF

PUMP-HYD,FRONT HYDRO

ITEM	PART #	QTY	DESCRIPTION	COMMENTS
39	71374893	1	CAP/END ASM,TWIN PORTS	
40	71374834	1	BEARING/JOURNAL	
41	71374898	1	CAP/END GASKET	
42	71374894	1	BUSHING	
43	71374900	2	SCREW	
44	71374895	1	BRACKET SPACER/LIFTING	
45	71374896	1	BRACKET/LIFTING	
46	71374897	1	WASHER	
87	71374870	1	VALVE/CHECK	
88	1077684M1	1	PLUG/PIPE	
109	AG727281	2	O-RING	
	FOOTNOTE [A]		ITEM 39 DOES NOT INCLUDE ITEMS 43,44,45,46.	

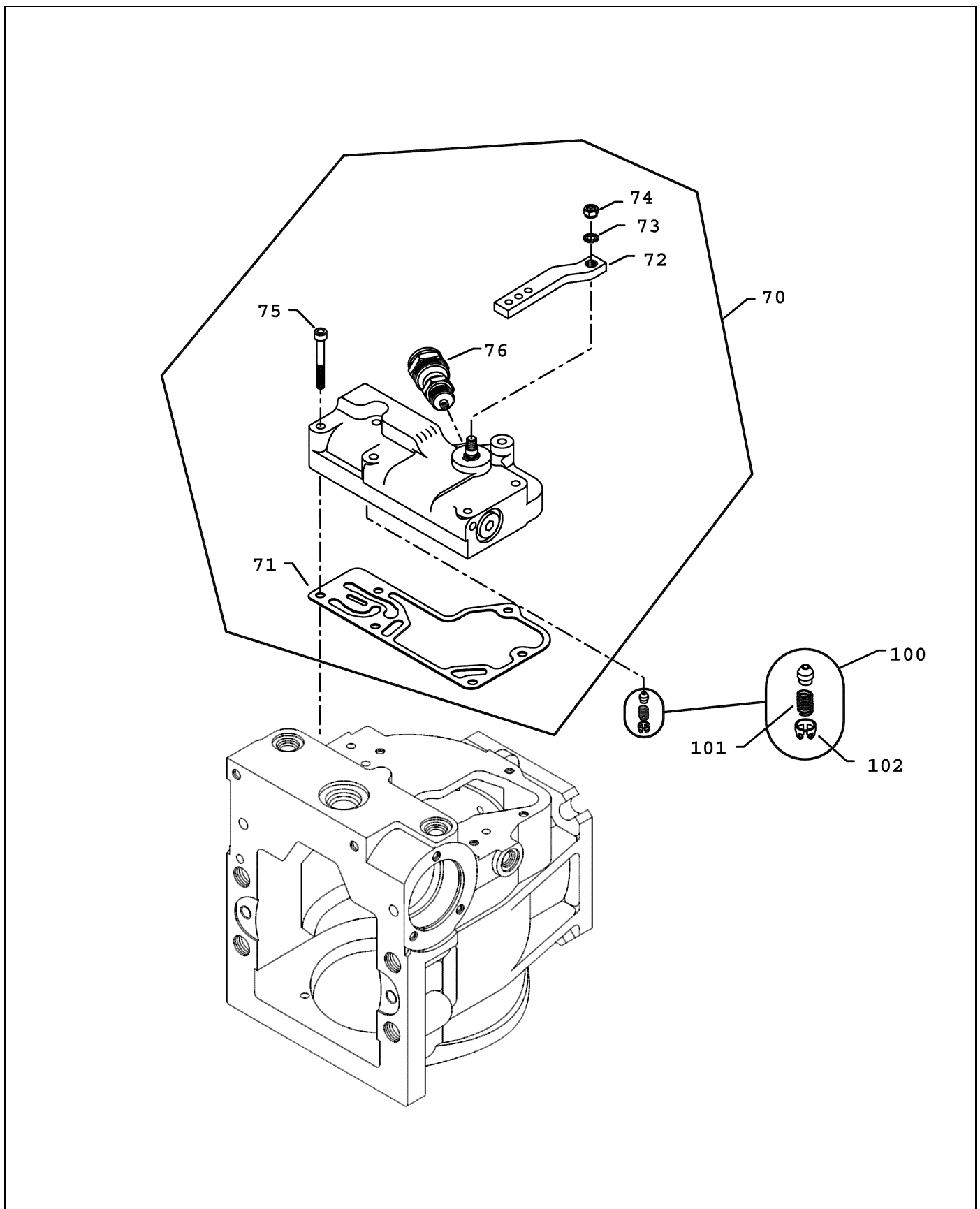
PUMP-HYD,REAR HYDRO



508979D1-01-1.TIF

PUMP-HYD,REAR HYDRO

ITEM	PART #	QTY	DESCRIPTION	COMMENTS
0	AG714257	1	O RING,4.00 ID X.09W,B-PAD	
0	AG137568	1	KIT/GASKET SEAL OVERHAUL	
4	700725864	13	PLUG	
5	71374873	1	PLUG	
6	1077605M1	1	PLUG	
7	71355339	3	FILTER/CONTROL SCREEN	
14	71374882	1	SCREW	
51	71774840	1	SCREW	
60	71374918	1	KIT/CHARGE RELIEF VALVE	
61	70928486	1	O-RING	
64	AG133278	1	KIT-SEAL,FRONT,SAUER	
65	1077666M1	1	SEAL/LIP	
66	70937632	1	O-RING	
67	71374839	1	PLATE/RETAINING	
68	71374840	1	SCREW/METRIC	
74	71374867	1	NUT	
84	AG722601	1	VALVE-MULTI-FUNCTIONAL	
85	AG137565	1	O-RING	
86	1077682M1	1	O-RING	
94	1077611M1	1	RING/RETAINING	
103	AG137570	4	WASHER	
104	AG137569	4	SCREW	
108	AG332306	4	ORING	

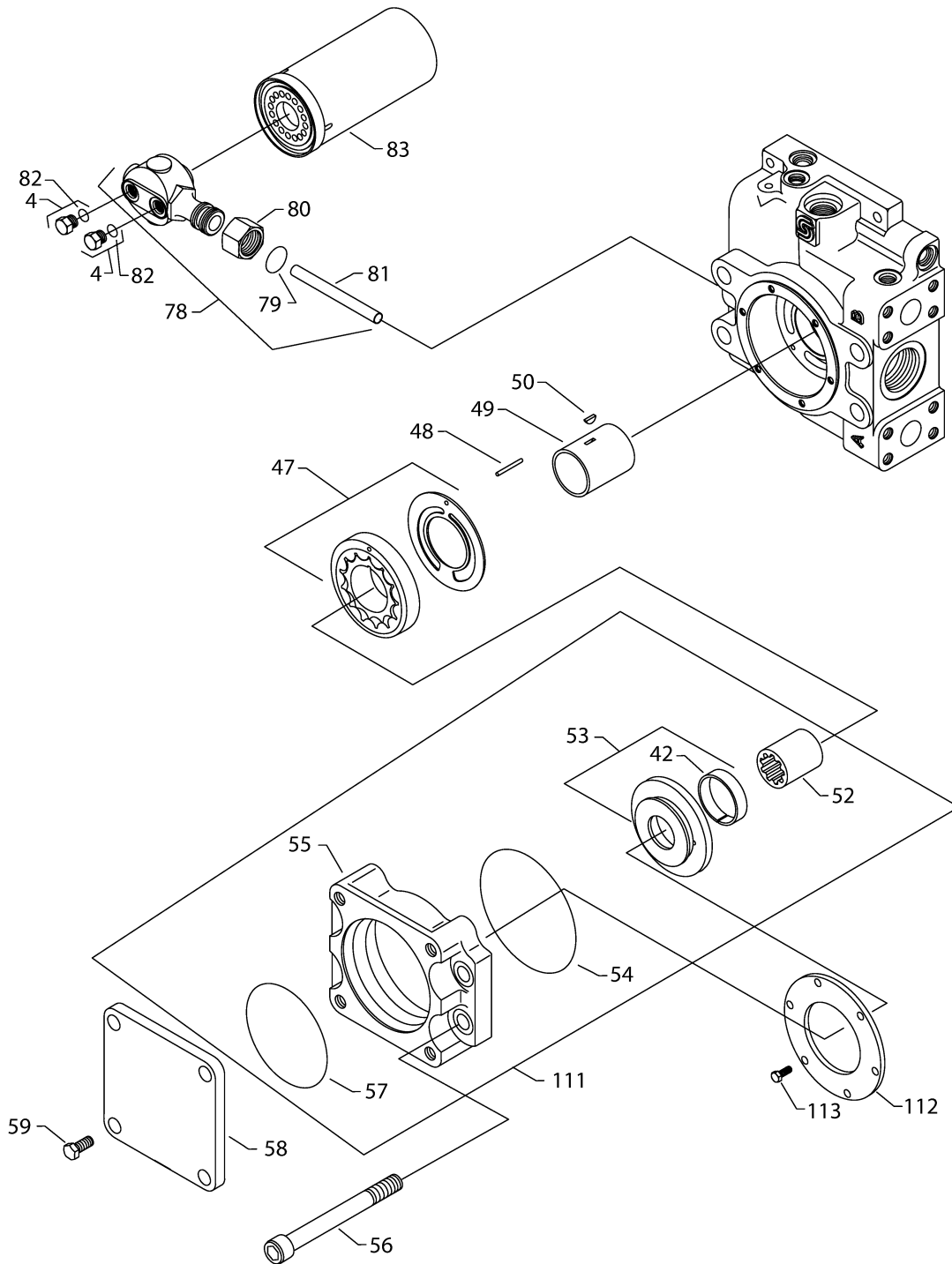


508979D1-01-2.TIF

PUMP-HYD,REAR HYDRO

ITEM	PART #	QTY	DESCRIPTION	COMMENTS
70	AG137559	1	KIT/MDC NEUTRAL SWITCH	
71	AG137560	1	GASKET/CONTROL	
72	AG137561	1	HANDLE/SHAFT CONTROL	
73	71374866	1	WASHER/TOOTHLOCK	
75	1077673M1	6	SCREW	
76	AG137562	1	KIT/NEUTRAL START SWITCH	
79	71396139	1	O-RING	
100	AG137567	1	KIT/ORIFCE CONTROL .040	
101	71374908	1	SPRING	
102	71374909	1	SPRING/RETAINER	

PUMP-HYD,REAR HYDRO

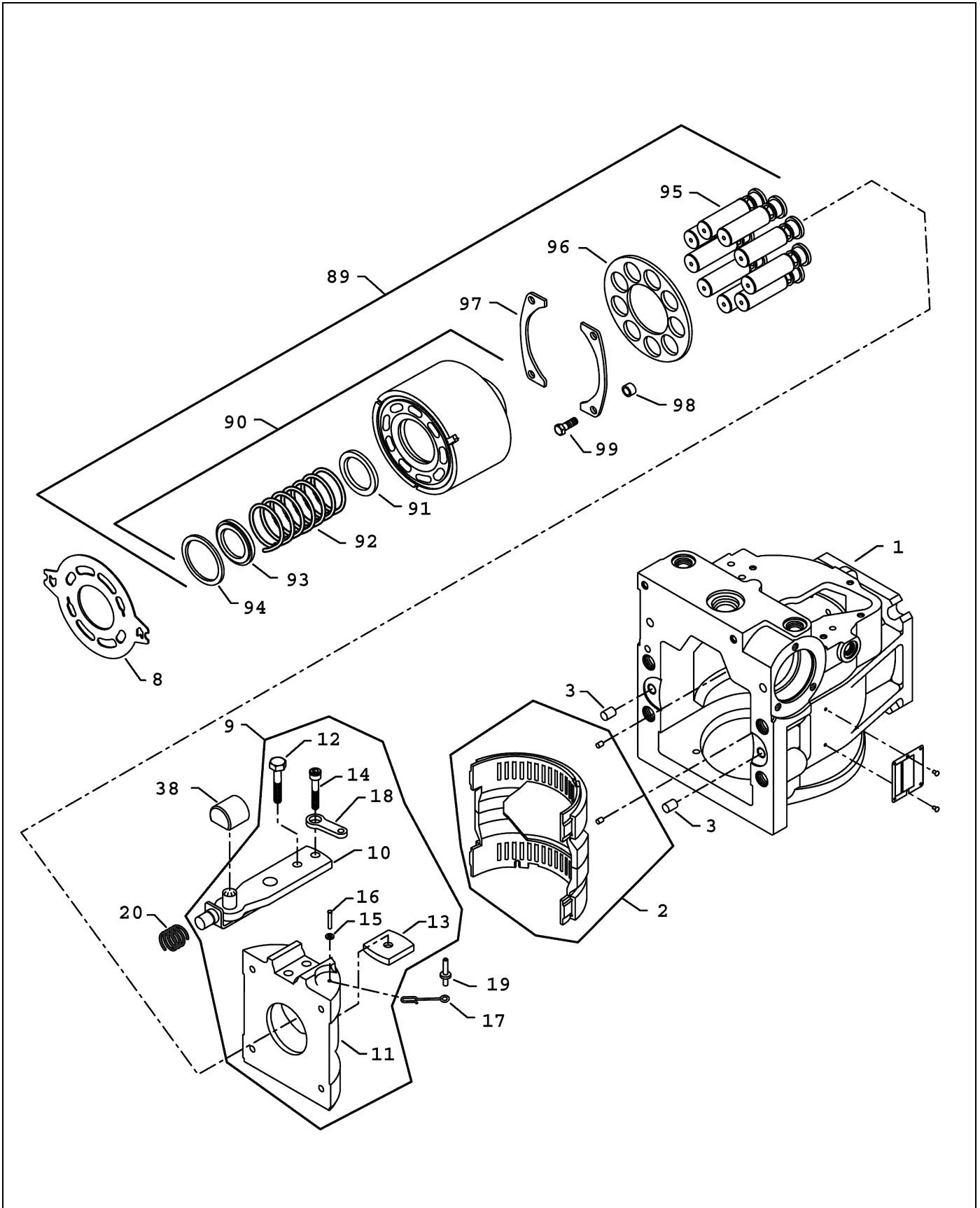


508979D1-01-3.TIF

PUMP-HYD,REAR HYDRO

ITEM	PART #	QTY	DESCRIPTION	COMMENTS
4	700725864	13	PLUG	
42	71374894	1	BUSHING	
47	AG137549	1	PUMP/CHARGE SET	
48	AG137550	1	PIN	
49	AG137551	1	SHAFT/CHARGE PUMP	
50	1077656M1	1	KEY	
52	AG137552	1	COUPLING	
53	AG137553	1	COVER/CHARGE PUMP RH	
54	AG134396	1	O-RING,C-PAD,SAUER TANDEM	
55	AG332303	1	FLANGE/ADAPTER	
56	AG137555	4	SCREW/SOCKET HEAD	
57	AG332304	1	ORING	
57	1081727M1	1	ORING	
58	WR41726	1	COVER-SAE 2-BOLT B-PAD	
59	AG137558	2	SCREW	
78	AG332305	1	FILTER/MANIFOLD ASSEMBLY	
79	71396139	1	O-RING	
80	AG137563	1	NUT	
81	AG137564	1	TUBE	
82	AG727297	2	O-RING	
83	AG133231	1	ELEMENT-FILTER,OIL,SAUER PUMP	
111	1081721M1	1	FLANGE/AUX-MOUNT	
112	71409661	1	PLATE/RETAINING	
113	1077658M1	6	SCREW	

PUMP-HYD,REAR HYDRO

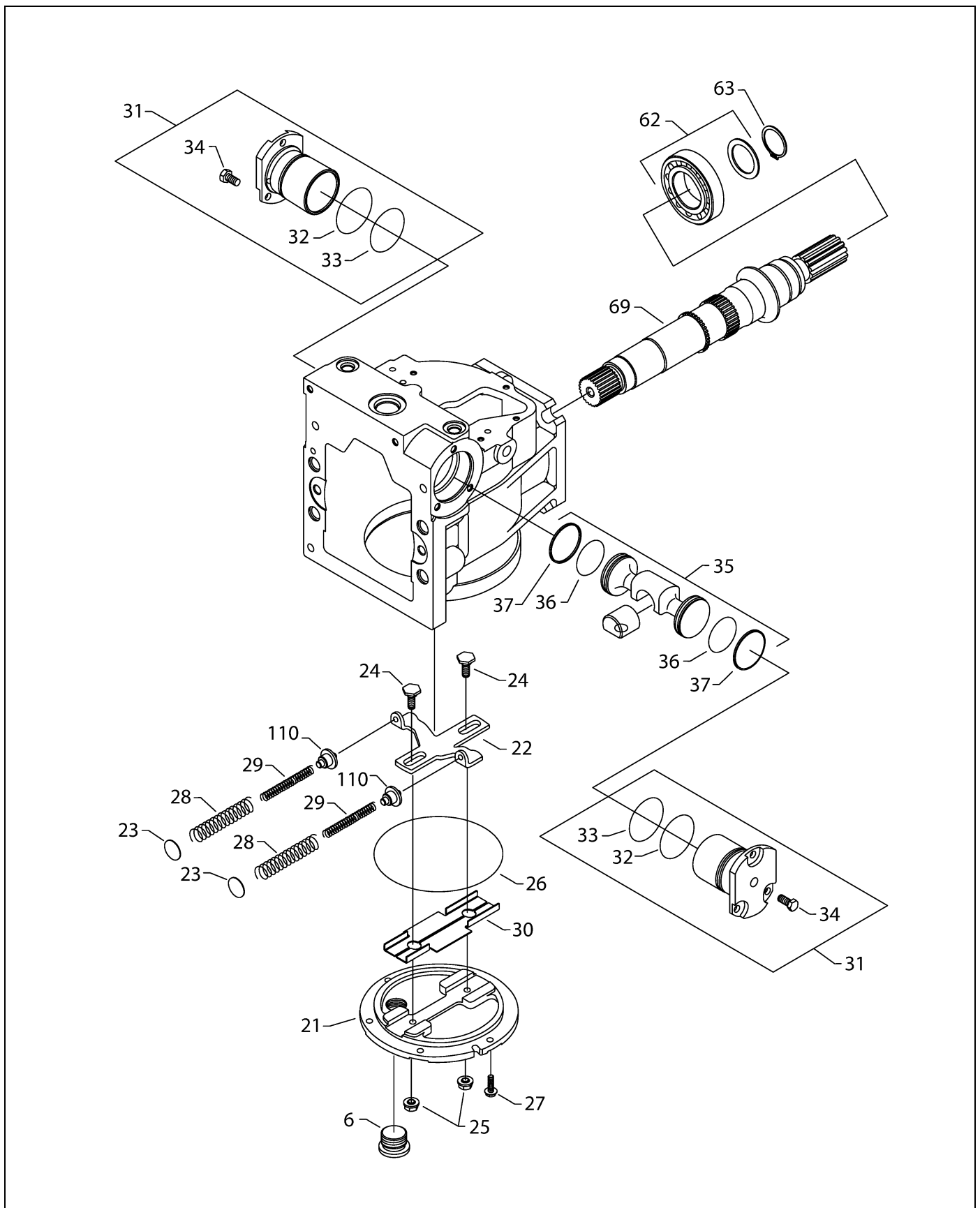


508979D1-01-4.TIF

PUMP-HYD,REAR HYDRO

ITEM	PART #	QTY	DESCRIPTION	COMMENTS
1	71374958	1	VARIABLE HOUSING	
2	71374872	1	BEARING ASM	
3	71355340	2	PIN	
8	AG332309	1	VALVE/PLATE	
9	71374876	1	SWASHPLATE/VARIABLE ASM	
10	71374877	1	SERVO/ARM ASM	
11	71374879	1	SWASHPLATE/VARIABLE	
12	71374880	1	SCREW	
13	71374881	1	SWASHPLATE/GUIDE	
15	71374883	1	WASHER	
16	71374884	1	PIN/SPIRAL	
17	71374875	1	CAGE/LOCATER LINK	
18	AG137544	1	LINK/FEEDBACK	
19	AG137545	1	PIN	
20	71374886	1	SPRING	
38	1077635M1	1	BLOCK/SLIDER	
89	71396140	1	KIT/CYLINDER BLOCK	
90	71374842	1	CYLINDER/BLOCK ASM	
91	71374844	1	SPRING	
92	71374843	1	SPRING/SEAT	
93	71374845	1	SPRING/RETAINER	
95	71374846	9	PISTON/WELDED ASM	
96	71374847	1	GUIDE/SLIPPER	
97	71374904	2	BEARING/SLIPPER GUIDE	
98	71396141	4	SPACER	
99	AG137566	4	SCREW	

PUMP-HYD,REAR HYDRO

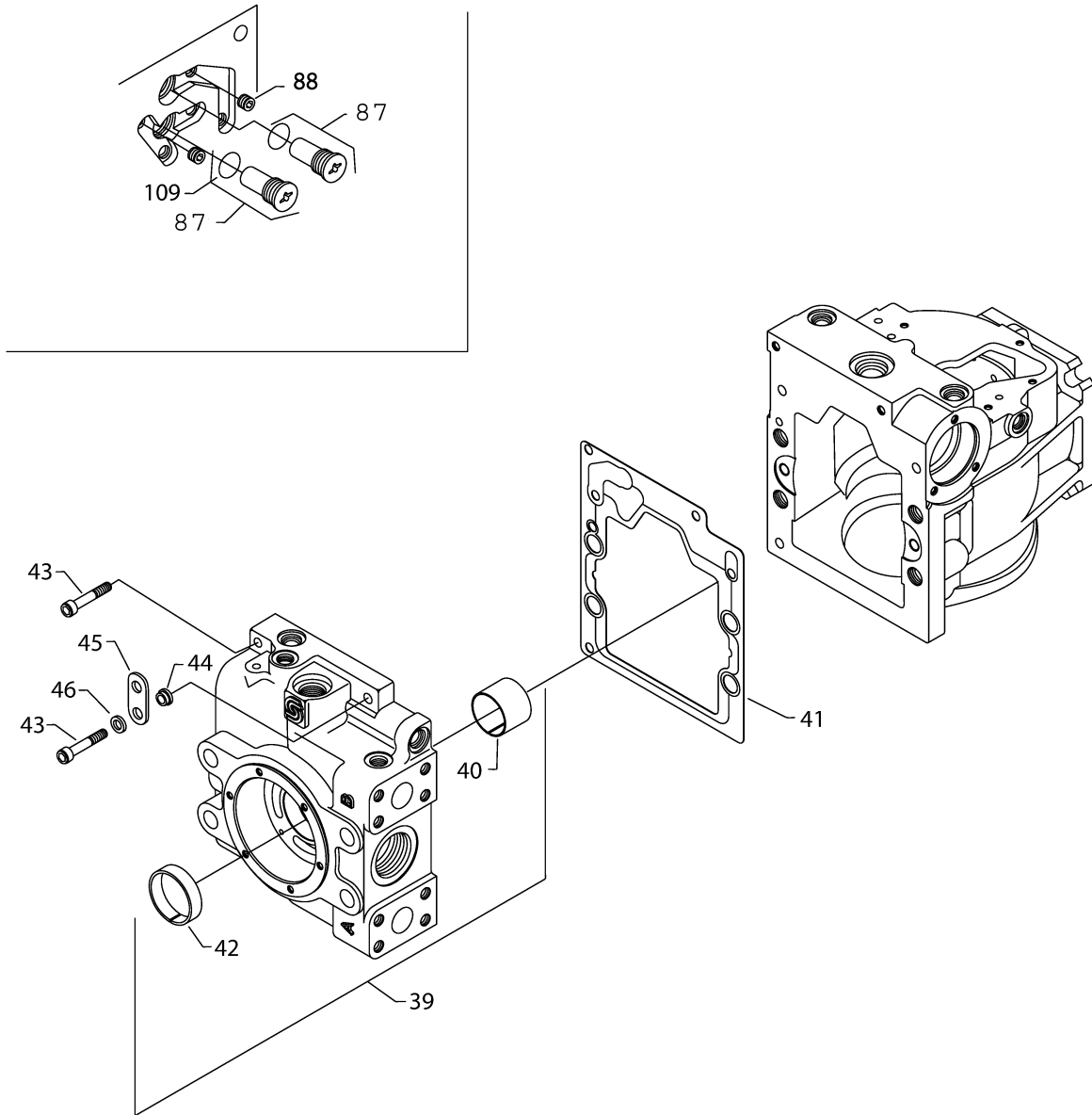


508979D1-01-5.TIF

PUMP-HYD,REAR HYDRO

ITEM	PART #	QTY	DESCRIPTION	COMMENTS
6	1077605M1	1	PLUG	
21	71374960	1	COVER/SIDE	
22	AG137546	1	LEVELER ASM	
23	71396130	2	SHIM	
24	AG137547	2	GUIDE POST	
25	1077627M1	2	NUT	
26	1077628M1	1	O-RING	
27	71374890	6	SCREW	
28	71374891	2	SPRING	
29	AG332308	2	SPRING	
30	AG137548	1	COVER/SIDE INSERT ASM	
31	71374901	2	KIT/SERVO CYLINDER	
32	1077636M1	2	O-RING	
33	1077637M1	2	O-RING	
34	1077638M1	6	SCREW	
35	71396133	1	KIT/SERVO PISTON	
36	1077633M1	2	O-RING	
37	71358545	2	PISTON RING	
62	71374952	1	BEARING/ROLLER	
63	1077664M1	1	RING/RETAINING	
69	700722966	1	SHAFT	
110	AG332307	2	SPRING/SEAT	

PUMP-HYD,REAR HYDRO

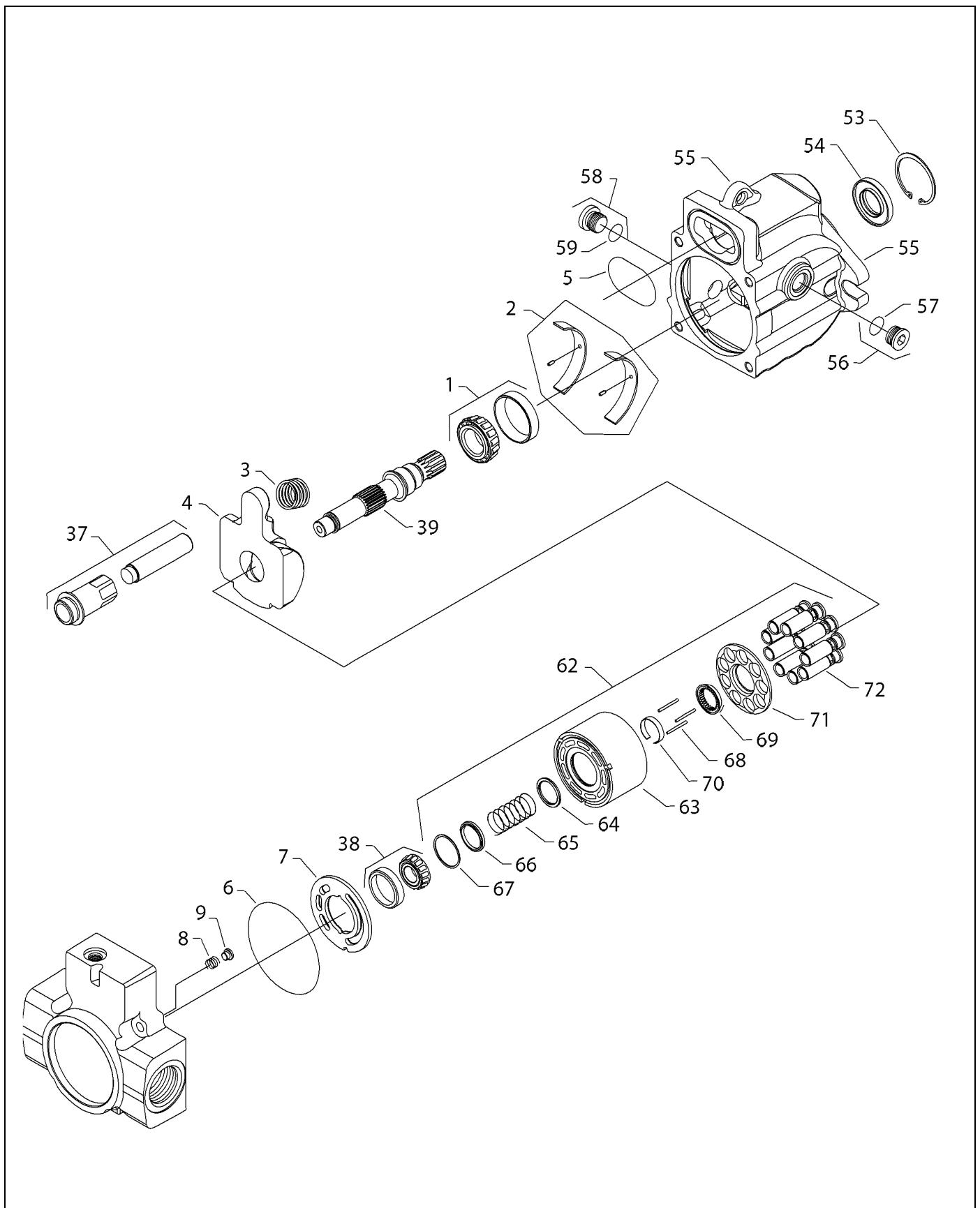


508979D1-01-6.TIF

PUMP-HYD,REAR HYDRO

ITEM	PART #	QTY	DESCRIPTION	COMMENTS
39	71374893	1	CAP/END ASM,TWIN PORTS	
40	71374834	1	BEARING/JOURNAL	
41	71374898	1	CAP/END GASKET	
42	71374894	1	BUSHING	
43	71374900	2	SCREW	
44	71374895	1	BRACKET SPACER/LIFTING	
45	71374896	1	BRACKET/LIFTING	
46	71374897	1	WASHER	
87	71374870	1	VALVE/CHECK	
88	1077684M1	1	PLUG/PIPE	
109	AG727281	2	O-RING	
	FOOTNOTE [A]		ITEM 39 DOES NOT INCLUDE ITEMS 43,44,45,46.	

PUMP-HYD,25CC PC,B PAD

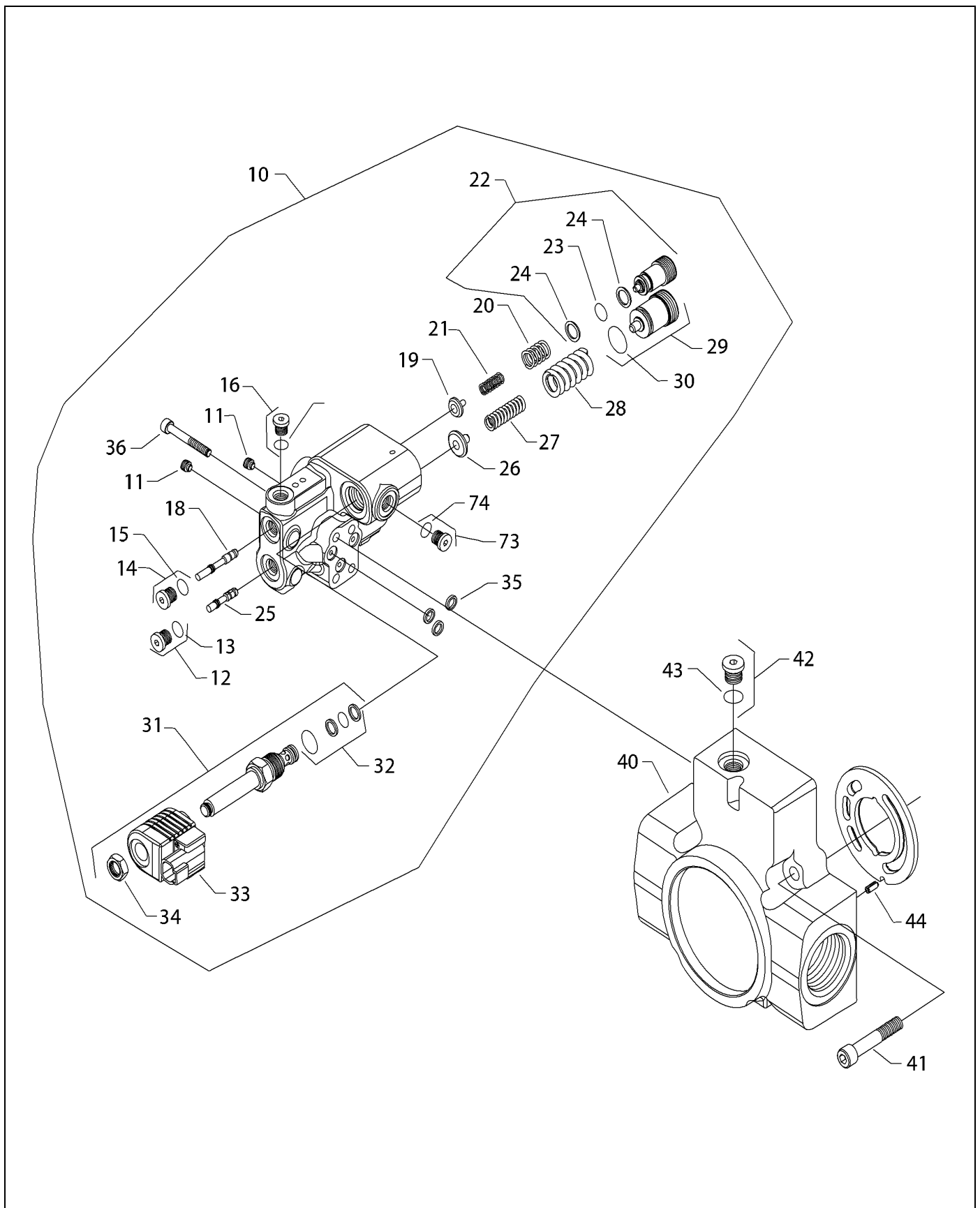


134678-1.TIF

PUMP-HYD,25CC PC,B PAD

ITEM	PART #	QTY	DESCRIPTION	COMMENTS
0	AG729199	-	KIT/OVERHAUL SEAL	[A]
1	AG727079	1	KIT/BEARING - 120967	
2	AG727080	1	KIT/SWASHPLATE	
3	AG727081	1	SPRING	
4	71414690	1	SWASH/PLATE	
5	AG332141	1	ORING	
6	AG727074	1	O-RING	
7	AG727055	1	PLATE/VALVE 120969	
8	AG727072	1	SPRING/CHECK VALVE	
9	AG727078	1	POPPET/CHECK VALVE	
17	AG727281	1	O-RING	
37	AG729197	1	KIT/SERVO PISTON	
38	AG729198	1	KIT/REAR BEARING	
39	AG727054	1	SHAFT / 120929	
53	AG727280	1	RING/RETAINING	
54	AG727057	1	SEAL/LIP - 120969	
55	AG332148	1	HOUSING	
56	700723421	1	PLUG	
57	AG133716	1	O-RING	
58	700723421	1	PLUG	
59	AG133716	1	O-RING	
62	AG133718	1	CYLINDER BLOCK KIT	
63	AG332149	1	CYLINDER/BLOCK	
64	AG332150	1	WASHER	
65	AG332151	1	CYLINDER/BLOCK-SPRING	
66	AG332152	1	SPRING/RETAINER	
67	AG332153	1	RETAINING/RING	
68	AG133719	3	SLIPPER HOLD DOWN PIN	
69	AG332154	1	SLIPPER/RETAINER-GUIDE	
70	AG332155	1	SLIPPER/HOLD DOWN PIN RETAINER	
71	AG332156	1	SLIPPER/RETAINER	
72	AG133720	9	PISTON ASSEMBLY	
	FOOTNOTE [A]		SEAL KIT INCLUDES ITEMS (5,6,23,24,30,35,43,46,47,50,54)	

PUMP-HYD,25CC PC,B PAD



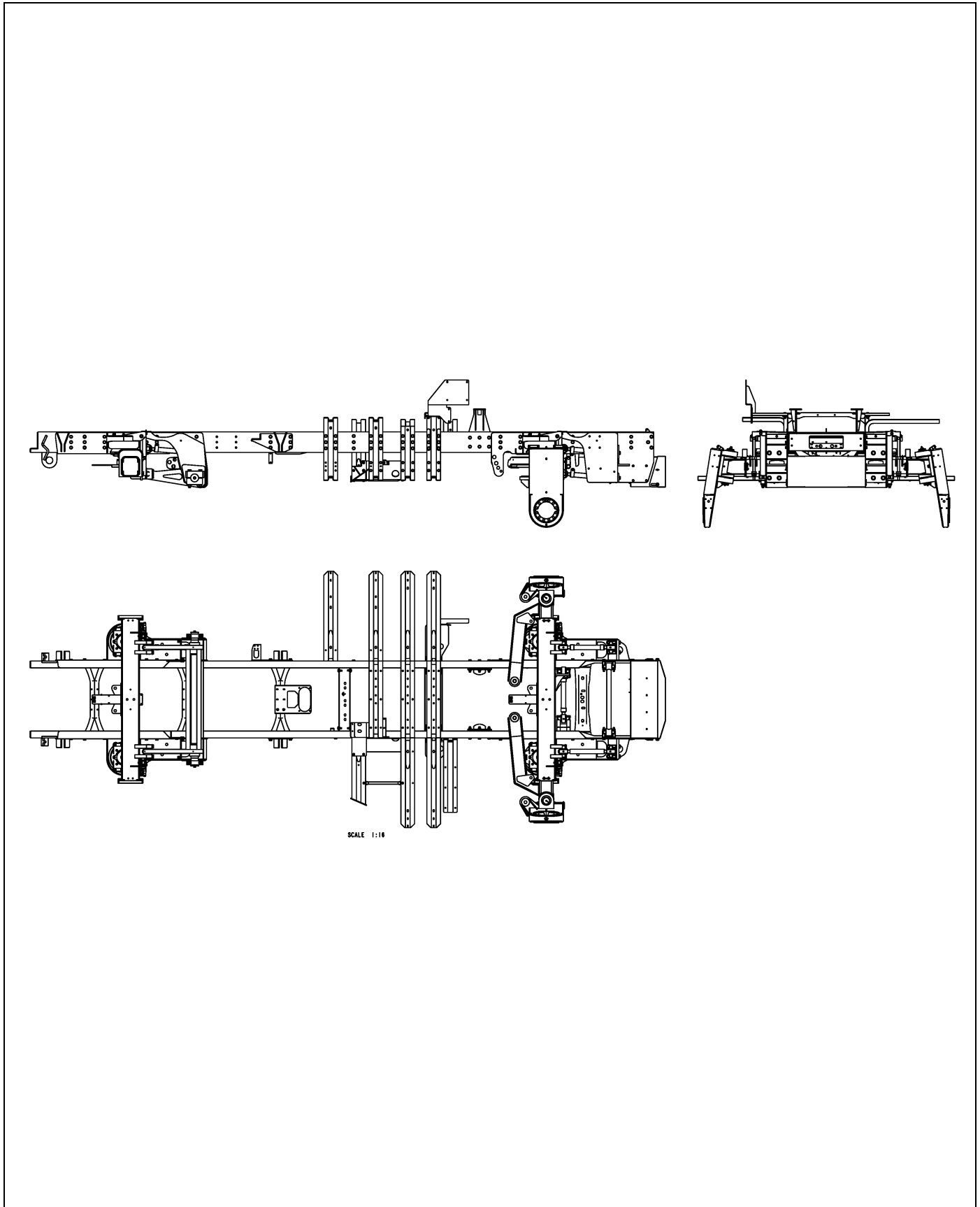
134678-2.TIF

PUMP-HYD,25CC PC,B PAD

ITEM	PART #	QTY	DESCRIPTION	COMMENTS
10	AG133715	1	CONTROL KIT,ELEC. SOLENOID	
11	AG332142	2	SET/SCREW	
12	71374873	1	PLUG	
13	AG727281	1	O-RING	
14	71374873	1	PLUG	
15	AG727281	1	O-RING	
16	71374873	1	PLUG	
18	AG332143	1	CONTROL/SPOOL	
19	AG332144	1	SPRING/GUIDE	
20	AG727190	1	SPRING	
21	AG727191	1	SPRING	
22	AG727192	1	PLUG/ADJUSTING	
23	AG727282	1	O-RING	
24	AG727284	2	RING/BACKUP	
25	AG727193	1	SPOOL/CONTROL	
26	AG727187	1	GUIDE/SPRING	
27	AG727199	1	SPRING	
28	AG727195	1	SPRING	
29	AG729196	1	PLUG/ADJUSTING	
30	AG727283	1	O-RING	
31	AG727287	1	VALVE/SOLENOID	
32	AG727288	1	KIT/SEAL VITON	
33	AG727289	1	COIL	
34	AG727299	1	O-RING	
35	AG727285	3	RING/SEAL	
36	1077673M1	4	SCREW	
40	AG332335	1	END/CAP - AXIAL PORTS	
41	AG126248	4	SCREW	
42	700725864	1	PLUG	
43	AG727297	1	O-RING	
44	71355391	1	PIN	
73	71374873	1	PLUG	
74	AG727281	1	O-RING	

STANDARD CHASSIS	2-1
STANDARD CHASSIS	2-2
CHASSIS ASM-FRAME, RG 1286C	2-3
CHASSIS ASM-FRAME, RG 1286C	2-4
CHASSIS ASM-FRAME, RG 1286C	2-5
CHASSIS ASM-FRAME, RG 1286C	2-6
CROSSMEMBER ASM	2-7
CROSSMEMBER ASM-ENGINE, FRONT	2-8
BOLT ASM-EYE	2-9
AIR BAG ASM-RH	2-10
AIR BAG ASM-REAR	2-11
AIR BAG ASM-LH	2-12
BAR ASM-ANTI-ROLL	2-13
FIRE WALL INSTL	2-14
CROSSMEMBER ASM-ENGINE, FRONT	2-15
TIEDOWN INSTL-ROGATOR	2-16

STANDARD CHASSIS

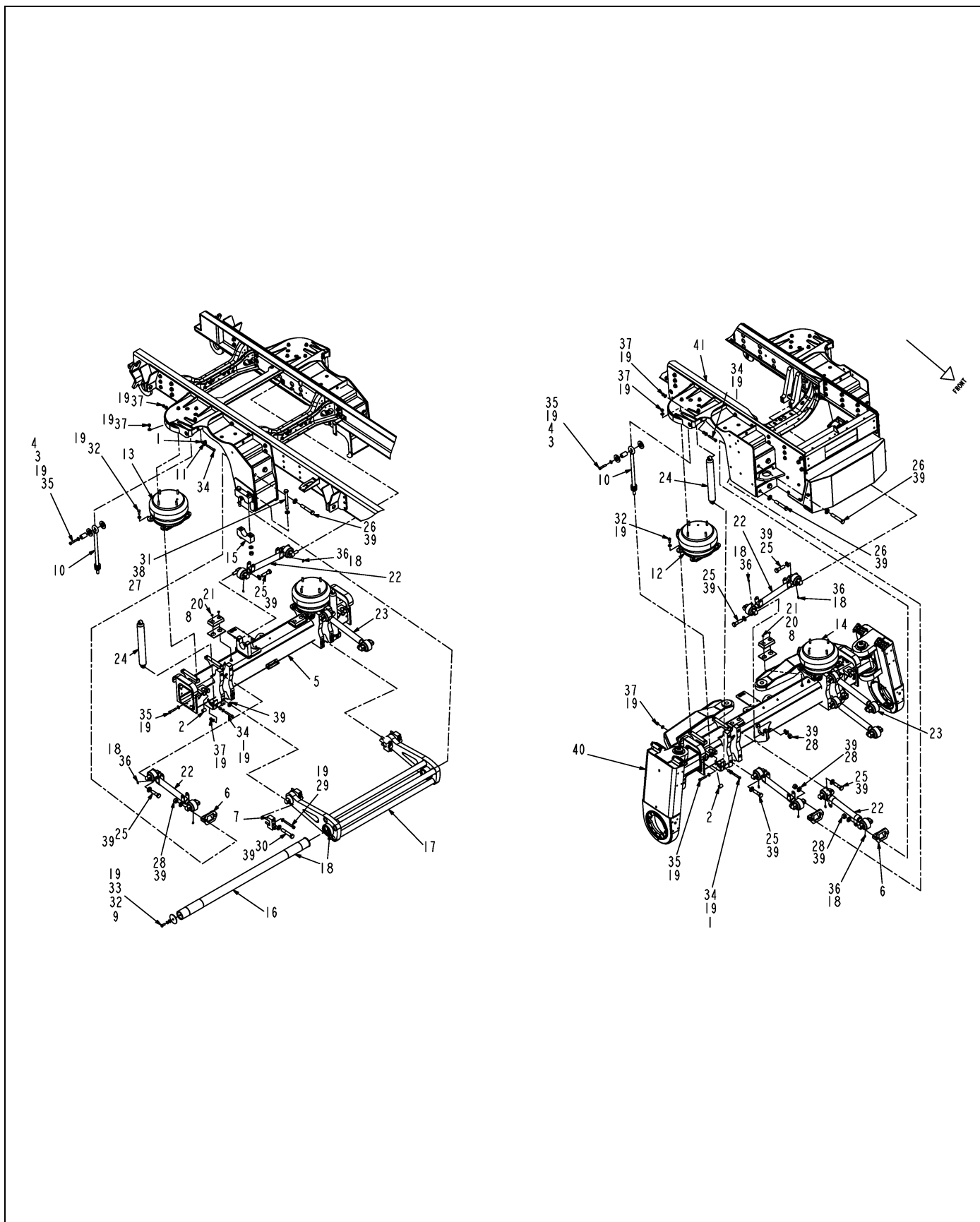


511663D1-01-N574-01.TIF

STANDARD CHASSIS

ITEM	PART #	QTY	DESCRIPTION	COMMENTS
	FOOTNOTE		ASSEMBLY DETAIL IMAGE, SEE RELATED PAGES FOR FURTHER BREAKDOWNS	

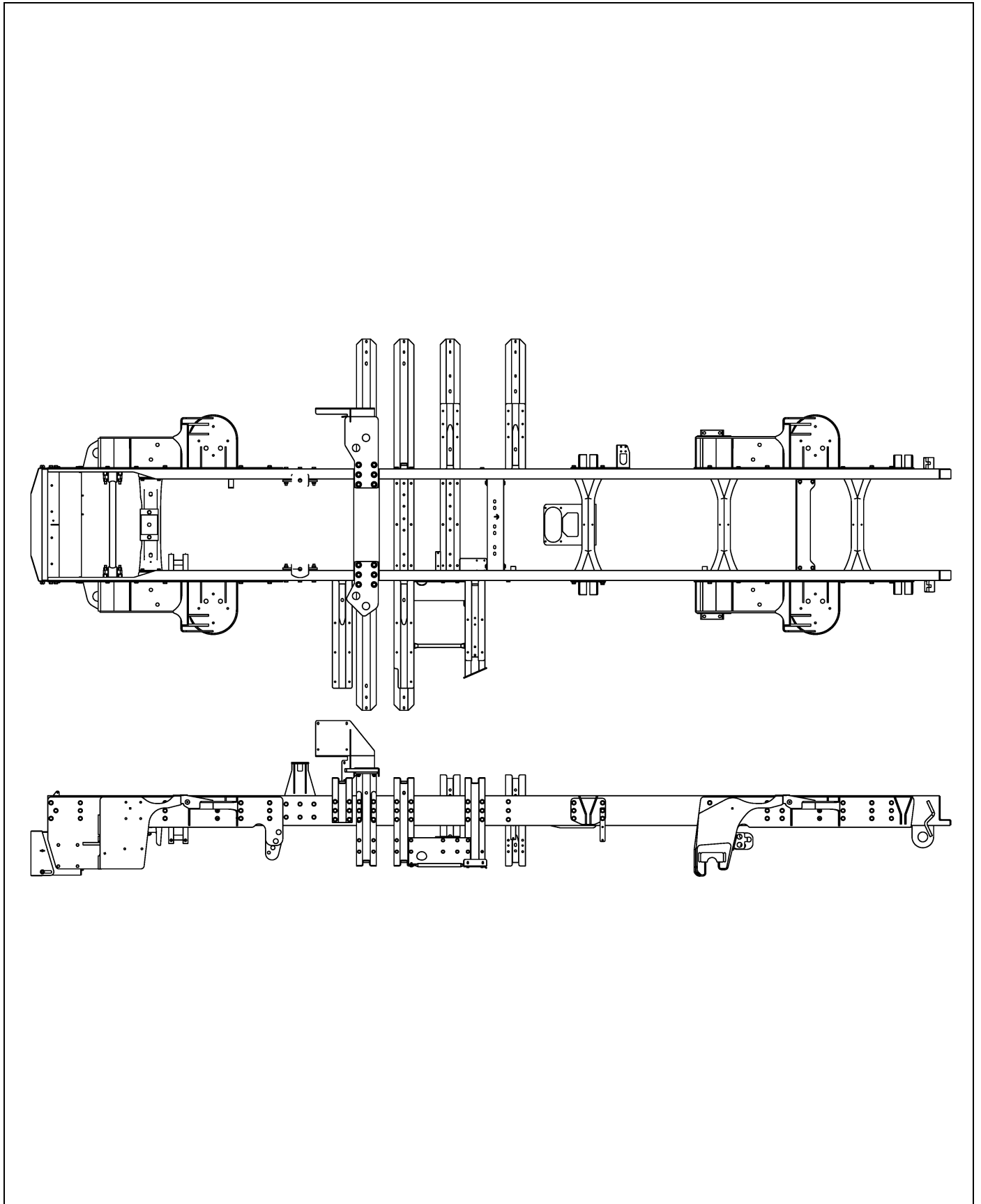
STANDARD CHASSIS



511663D1-01-N574-02.TIF

STANDARD CHASSIS

ITEM	PART #	QTY	DESCRIPTION	COMMENTS
1	AG109812	8	TUBE-SPACER,.75 OD X .63	
2	AG109902	4	SPACER-MTG,EYEBOLT STOP	
3	AG109903	4	SPACER-MTG,EYEBOLT HANGER	
4	AG109948	8	SPACER-EYEBOLT HANGER	
5	AG130249	1	AXLE WLDMT-8X8,REAR	
6	AG239174	6	BRACKET RWK-FRAME	
7	AG260354	4	BAR-CLAMP,BEARING	
8	AG260455	4	PLATE-SPACER,BUMPER	
9	AG260465	2	PLATE-CAP,END	
10	AG260466	4	BOLT ASM-EYE	SEE PAGE 2-9
11	AG263132	2	WASHER-DOUBLE HOLE,.50	
12	AG325588	1	AIR BAG ASM-RH	SEE PAGE 2-10
13	AG325896	2	AIR BAG ASM-REAR	SEE PAGE 2-11
14	AG326053	1	AIR BAG ASM-LH	SEE PAGE 2-12
15	AG326116	2	PLATE-CLAMP,TUBE	
16	AG423041	1	TUBE-PIVOT,ANTI-ROLL,MACHINING	
17	AG423071	1	BAR ASM-ANTI-ROLL	SEE PAGE 2-13
18	AG511099	AR	GREASE-MULTI PURPOSE LITH.	
19	AG514554	64	WASHER 0.50 FL ZN SAE TYP-A G8	
20	AG514814	4	BUMPER PAD	
21	AG515140	8	NUT 0.37-16NC HEX SS HVY NY	
22	AG518733	AR	DRY MOLY LUB LPS FORCE 842D	
23	AG522277	5	ROD-TORQUE,ADJUSTABLE	
24	AG522278	3	ROD-TORQUE	
25	AG522530	4	SHOCK ABSORBER	
26	AG522709	20	BOLT-.88-9NCX3.25,G8,ZN,HHD	
27	AG522710	12	BOLT-.88-9NCX5.50,G8,ZN,HHD	
28	AG522718	4	NUT-.75-10,G8,ZN,H	
29	AG522719	14	NUT-.88-9,G8,ZN,H	
30	AG522831	8	BOLT-.50-13X4.50,G8,ZN,HHD,FT	
31	AG522832	4	BOLT-.88-9X5.00,G8,ZN,HHD,FT	
32	AG522886	4	BOLT 0.75-10NCX 7.50 G8 ZN HHD	
33	AG550256	18	BOLT.50-13NCX1.25 G5 ZN HHD	
34	AG550264	2	WASHER 0.50 LK ZN REG	
35	AG556149	8	BOLT 0.50-13NCX 3.50 G5 ZN HHD	
36	AG562490	8	BOLT 0.50-13NCX 2.75 G8 ZN HHD	
37	AG562551	16	ZERK 45D 0.125 NPT	
38	AG601152	24	NUT 0.50-13NC HEX ZN REG NY	
39	AG604203	8	WASHER 0.75 FL ZN SAE TYP-A G8	
40	AG606258	54	WASHER 1.75ODX0.93ID G8 ZN	
41	508185D1	1	AXLE ASM-FRONT	
42	512488D1	1	CHASSIS ASM-FRAME,RG 1286C	SEE PAGE 2-6
	FOOTNOTE [A]		FOR REPLACEMENT LH END USE AG726565	
	FOOTNOTE [A]		FOR REPLACEMENT RH END USE AG726566	

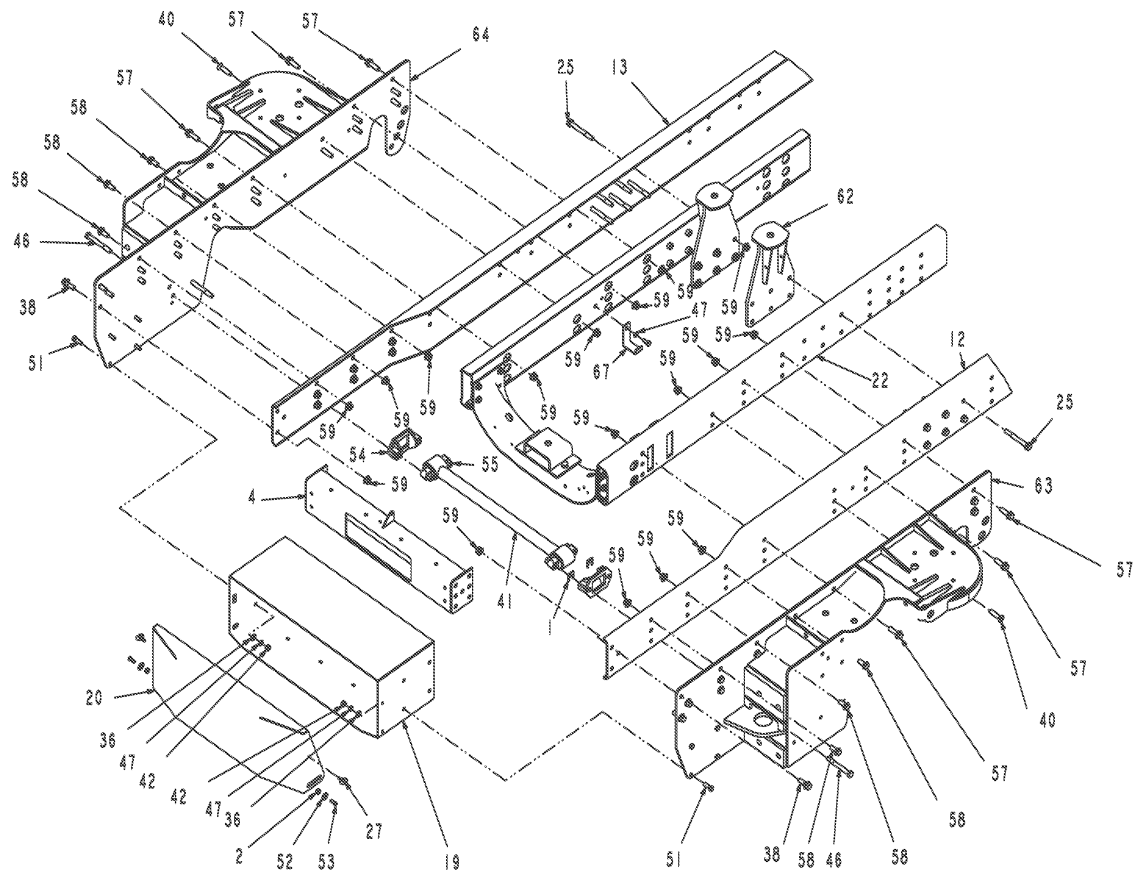


512488D1-04-N960-01.TIF

CHASSIS ASM-FRAME, RG 1286C

ITEM	PART #	QTY	DESCRIPTION	COMMENTS
	FOOTNOTE		ASSEMBLY DETAIL IMAGE, SEE RELATED PAGES FOR FURTHER BREAKDOWNS	

CHASSIS ASM-FRAME, RG 1286C

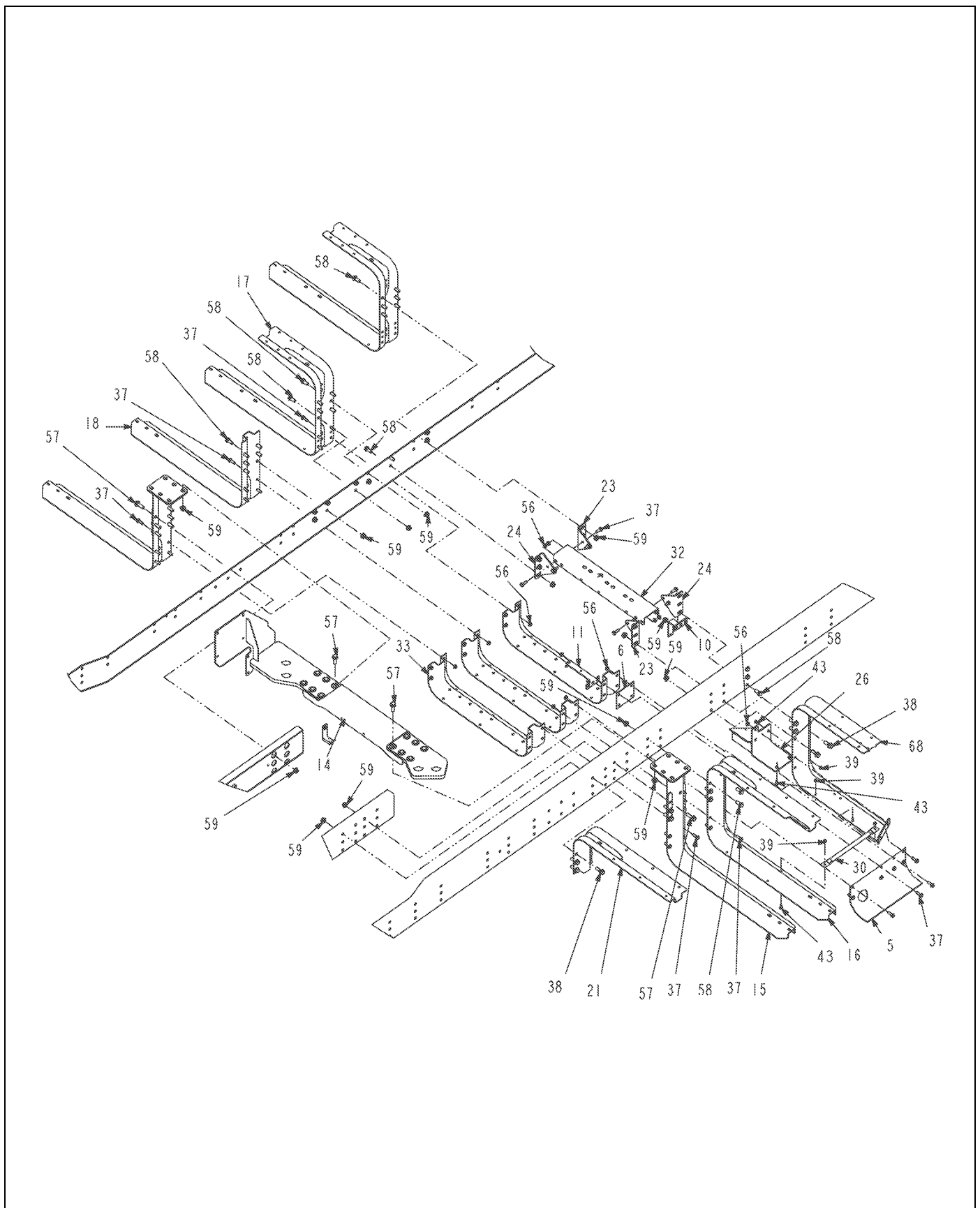


512488D1-04-N960-02.TIF

CHASSIS ASM-FRAME, RG 1286C

ITEM	PART #	QTY	DESCRIPTION	COMMENTS
1	AG109937	AR	SHIM-TORQUE ARM	
2	AG120463	2	SPACER-.750 ODX.438IDX.188LG	
4	AG121364	1	CROSSMEMBER WLDMT-FRONT	
12	AG130002	1	RAIL WLDMT-FRAME,LH	
13	AG130003	1	RAIL WLDMT-FRAME,RH	
19	AG130037	1	BOX WLDMT-BATTERY	
20	AG130038	1	COVER-BATTERY BOX	
22	AG130101	1	CROSSMEMBER ASM-ENGINE,FRONT	SEE PAGE 2-15
25	AG130270	12	BOLT-.62X5.00,G8,ZN,HS,FLG	
27	AG133274	2	SCREW-THUMB,.31-18NCX.75 ZY	
36	AG514554	16	WASHER 0.50 FL ZN SAE TYP-A G8	
38	AG517556	18	BOLT 0.62-18 X 1.75 G8 HX FLG	
40	AG522711	8	SCR-.62-18X2.50,HARD,ZN,FHS,CA	
41	AG522875	1	ARM ASM-TORQUE	
42	AG523184	12	NUT-.50-13,G8,ZN,H	
46	AG550248	4	BOLT 0.62-11NCX 5.00 G8 ZN HHD	
47	AG550264	9	WASHER 0.50 LK ZN REG	
51	AG559237	12	BOLT 0.50-13NCX 1.50 G8 ZN HHD	
52	AG562046	2	WASHER 0.50 FL SS REG TYPE-B	
53	AG562048	2	BOLT 0.37-16NCX 1.00 S.S. HHD	
54	AG600660	2	BRACKET FRAME HEND	
55	AG601217	4	NUT 0.62-11NC HEX ZN HVY NY	
57	AG609311	76	BOLT 0.62-18 X 2.00 G8 HX FLG	
58	AG609312	54	BOLT 0.62-18 X 1.50 G8 HXFLG	
59	AG609313	180	NUT HX FLG 0.62-18NF	
62	511678D1	2	BRKT WLDMT-MTG,ISOLATOR,ENG	
63	512489D1	1	BRKT WLDMT-AIR BAG,FRONT,LH	
64	512491D1	1	BRKT WLDMT-AIR BAG,FRONT,RH	
67	514252D1	1	BRACKET-SUPPORT,INNER RAIL	

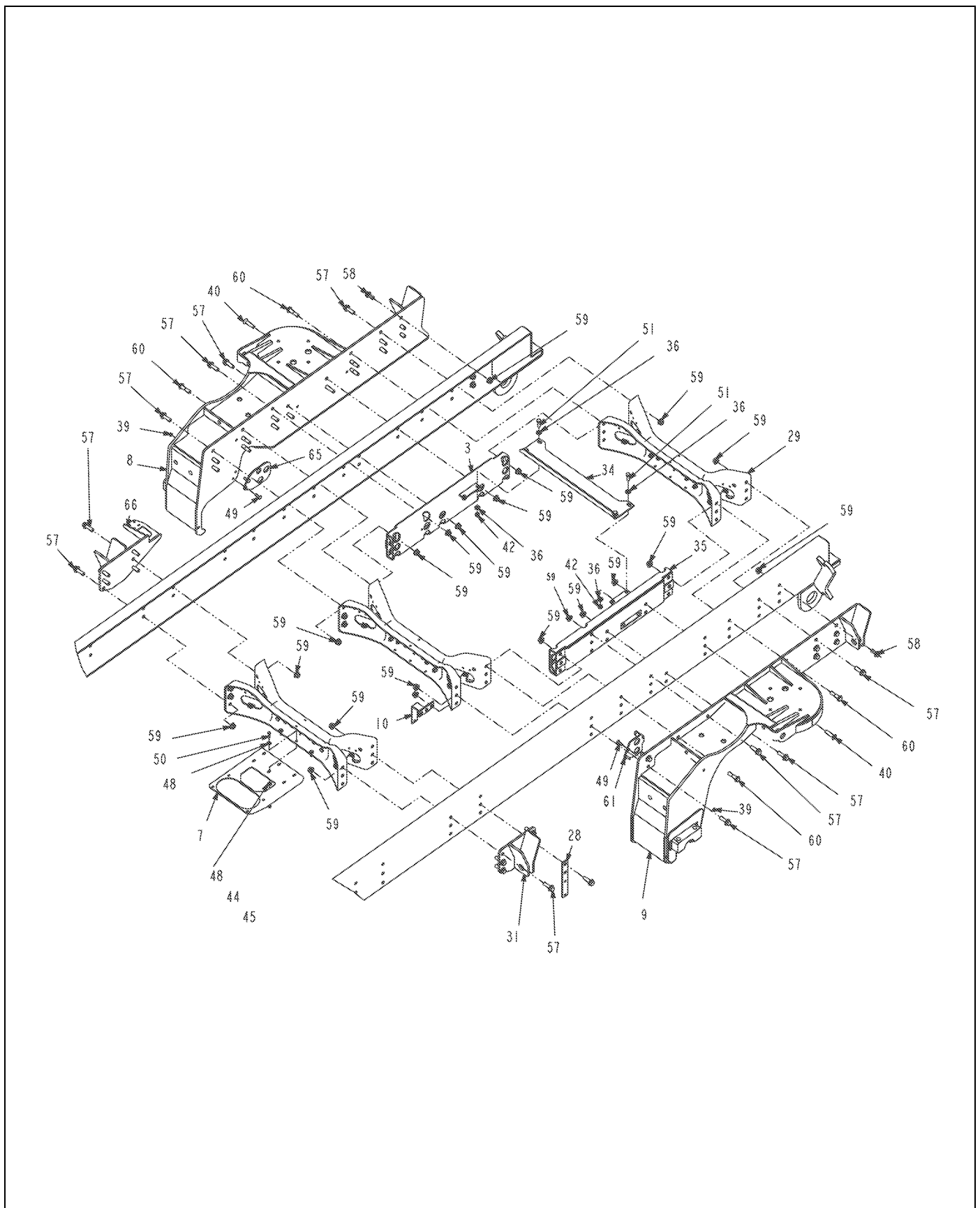
CHASSIS ASM-FRAME, RG 1286C



512488D1-04-N960-03.TIF

CHASSIS ASM-FRAME, RG 1286C

ITEM	PART #	QTY	DESCRIPTION	COMMENTS
5	AG122525	1	BRACKET-MTG, HYD TANK, X-MBR	
6	AG122526	1	SPACER-HYD TANK, X-MBR	
10	AG125831	2	BRACKET-HOSE SUPPORT	
11	AG125832	1	BRACKET-HOSE SUPPORT	
14	AG130004	1	CAB MOUNT WLDMT	
15	AG130026	2	BRKT WLDMT-CAB & FUEL RES	
16	AG130027	1	BRKT WLDMT-PLATFORM & FUEL RES	
17	AG130029	2	BRKT WLDMT-HYD RES & P/W	
18	AG130030	1	BRKT WLDMT-FUEL RES	
21	AG130053	1	BRKT WLDMT-PLATFORM	
23	AG130130	2	BRKT-CROSSMEMBER, CAB, REAR	
24	AG130131	2	BRKT-CROSSMEMBER, CAB, REAR	
26	AG132593	1	SUPPORT WLDMT-RADAR MOUNT	
30	AG327751	1	STIFFENER-MTG BRKT	
32	AG327892	1	CROSSMEMBER-MTG, CAB, REAR	
33	AG407964	3	CROSSMEMBER	
37	AG514771	34	BOLT 0.50-20 X 1.50 G8 HX FLG	
38	AG517556	18	BOLT 0.62-18 X 1.75 G8 HX FLG	
39	AG520885	9	NUT-.38-16, G5, ZN, FLG, H	
43	AG523329	5	BOLT-.38-16X1.00, G8, PL, FLG, HHD	
56	AG606489	34	NUT HX FLG 0.50-20NF	
57	AG609311	76	BOLT 0.62-18 X 2.00 G8 HX FLG	
58	AG609312	54	BOLT 0.62-18 X 1.50 G8 HXFLG	
59	AG609313	180	NUT HX FLG 0.62-18NF	
68	515524D1	1	BRKT WLDMT-PLATFORM	

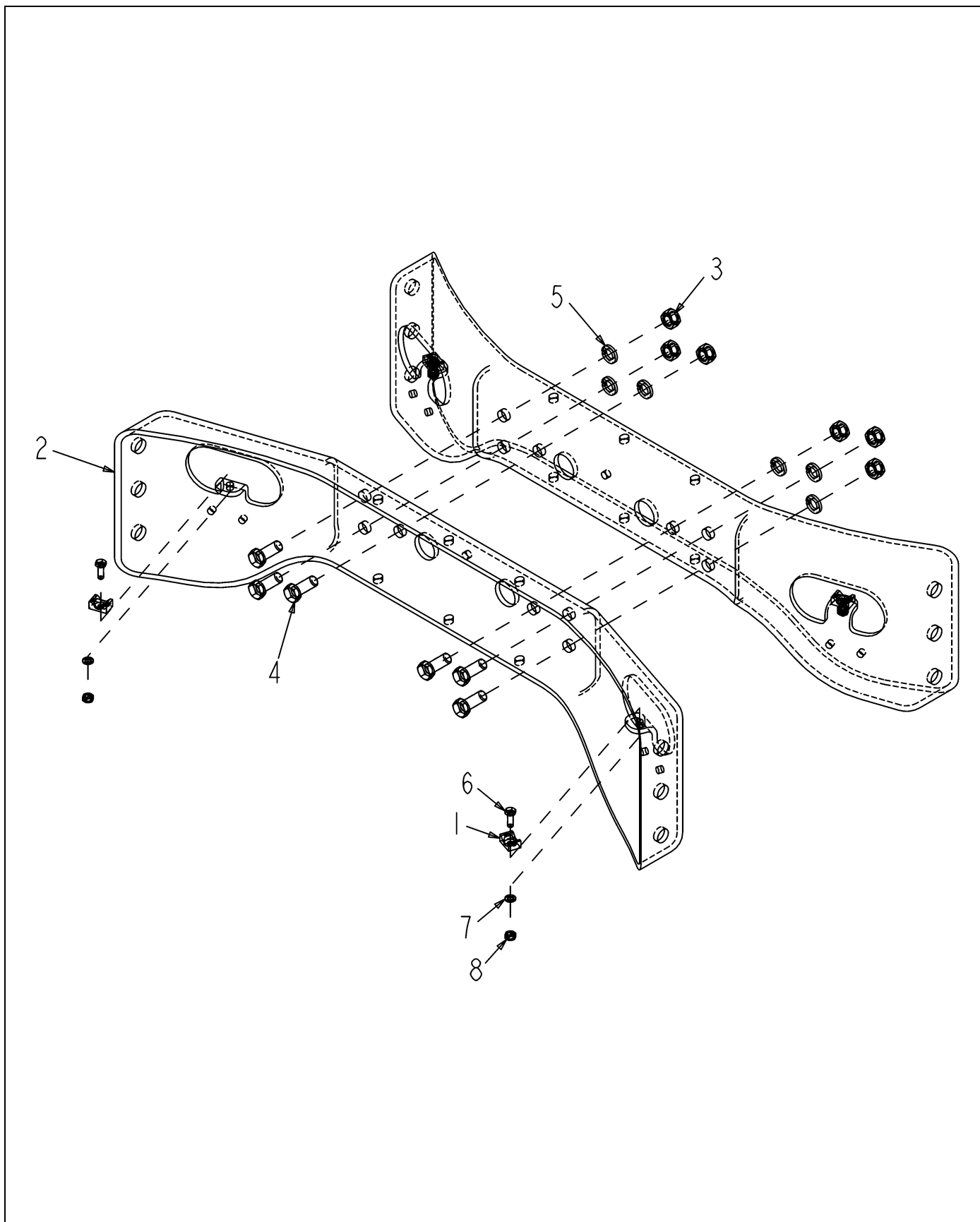


512488D1-04-N960-04.TIF

CHASSIS ASM-FRAME,RG 1286C

ITEM	PART #	QTY	DESCRIPTION	COMMENTS
3	AG120819	1	TUBE WLDMT-SUPPORT,FRAME,RH,RR	
7	AG123668	1	BRKT-MOUNT,HYD TWIN RTN MNFLD	
8	AG123673	1	BRKT WLDMT-AIR BAG,RR,FRAME,RH	
9	AG123674	1	BRKT WLDMT-AIR BAG,RR.FRAME,LH	
10	AG125831	2	BRACKET-HOSE SUPPORT	
28	AG262363	1	BRACKET-MTG,HOSE SUPPORT	
29	AG320830	3	CROSSMEMBER ASM	SEE PAGE 2-7
31	AG327819	1	BRACKET WLDMT-SYSTEM MOUNT	
34	AG422475	1	PLATE-TRACK BAR,REAR	
35	AG422477	1	TUBE WLDMT-SUPPORT,FRAME,LH,RR	
36	AG514554	16	WASHER 0.50 FL ZN SAE TYP-A G8	
39	AG520885	9	NUT-.38-16,G5,ZN,FLG,H	
40	AG522711	8	SCR-.62-18X2.50,HARD,ZN,FHS,CA	
42	AG523184	12	NUT-.50-13,G8,ZN,H	
44	AG550205	6	WASHER 0.31 LK ZN REG	
45	AG550213	6	NUT 0.31-18NC HEX ZN REG	
48	AG551015	12	WASHER 0.31 FL ZN REG TYPE-B	
49	AG556289	4	BOLT 0.37-16NCX 1.25 G5 ZN CRG	
50	AG559105	6	BOLT 0.31-18NCX 1.25 G5 ZN HHD	
51	AG559237	12	BOLT 0.50-13NCX 1.50 G8 ZN HHD	
53	AG562048	2	BOLT 0.37-16NCX 1.00 S.S. HHD	
57	AG609311	76	BOLT 0.62-18 X 2.00 G8 HX FLG	
58	AG609312	54	BOLT 0.62-18 X 1.50 G8 HXFLG	
59	AG609313	180	NUT HX FLG 0.62-18NF	
60	AG609314	12	BOLT 0.62-18 X 2.50 G8 HX FLG	
61	507825D1	1	PLATE-BULKHEAD,REAR,LEFT	
65	512499D1	1	PLATE-BULKHEAD,REAR,RIGHT	
66	512531D1	1	BRACKET WLDMT-SYS MNT,FILTER	

CROSSMEMBER ASM

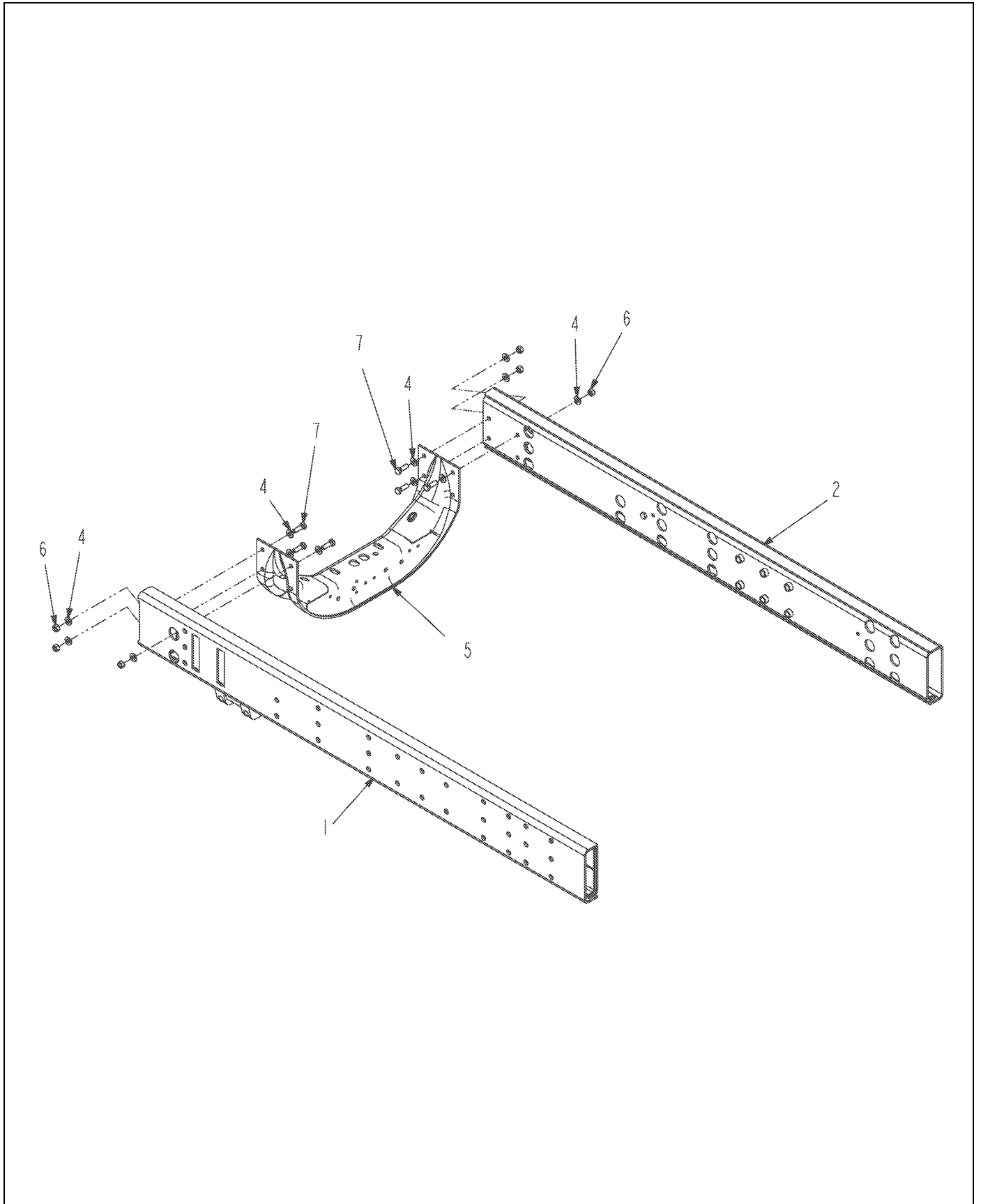


320830-B-1.TIF

CROSSMEMBER ASM

ITEM	PART #	QTY	DESCRIPTION	COMMENTS
1	AG518618	4	MOUNTING BASE SCREW .25	
2	AG518945	2	CROSSMEMBER-95	
3	AG550124	6	NUT 0.50-13NC HEX ZN REG	
4	AG550256	6	BOLT.50-13NCX1.25 G5 ZN HHD	
5	AG550264	6	WASHER 0.50 LK ZN REG	
6	AG550493	4	WASHER 0.25 LK ZN REG	
7	AG550612	4	NUT 0.25-20NC HEX ZN REG	
8	AG551341	4	SCREW.25-20X.75MA ZN SL PHD(D)	

CROSSMEMBER ASM-ENGINE,FRONT

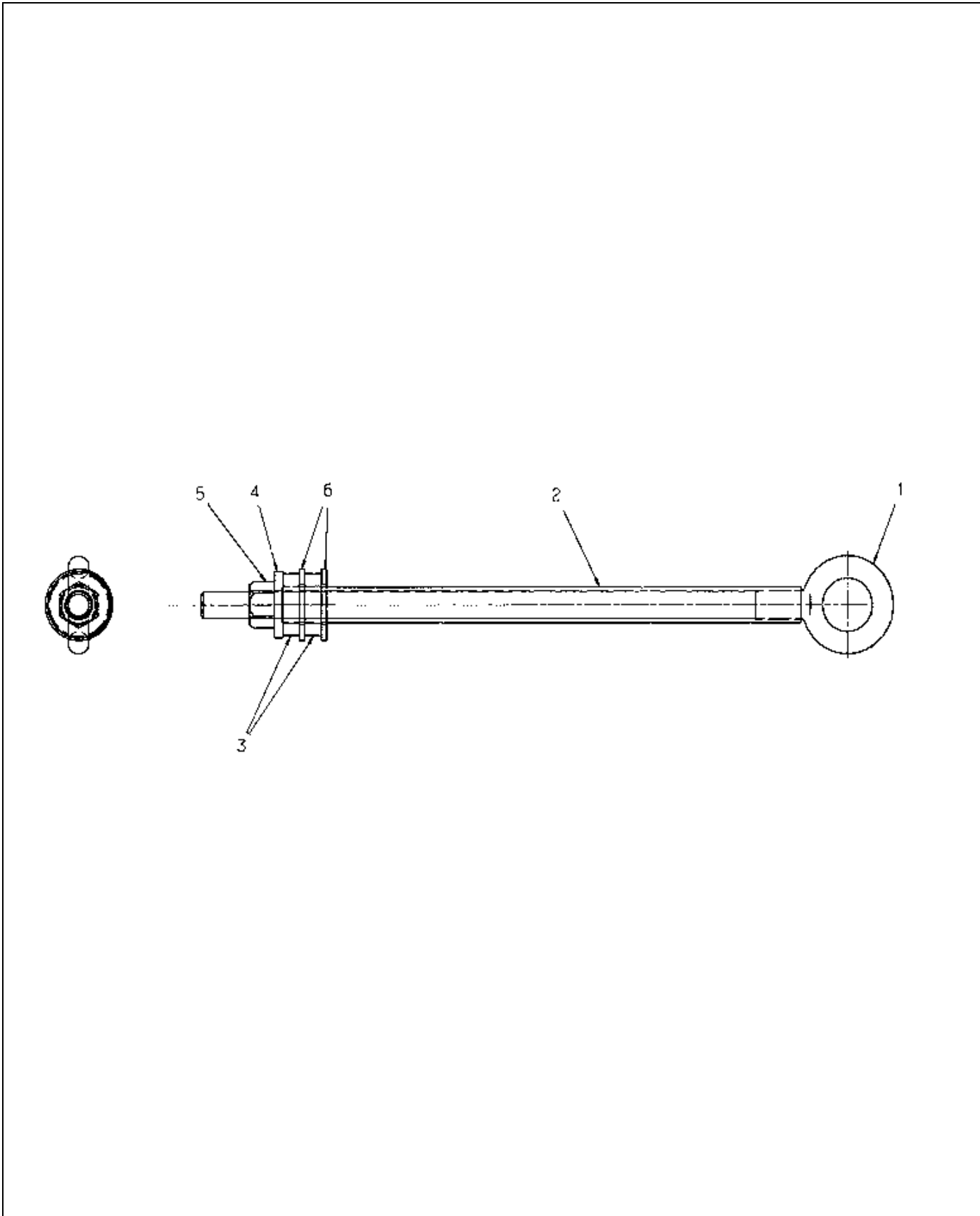


507832D1-02-N960-.TIF

CROSSMEMBER ASM-ENGINE,FRONT

ITEM	PART #	QTY	DESCRIPTION	COMMENTS
1	AG130102	1	TUBE WLDMT-SUPPORT,FRAME,LH,FR	
2	AG130103	1	TUBE WLDMT-SUPPORT,FRAME,RH,FR	
3	AG512885	AR	LOCTITE ADHESIVE SEALANT BLUE	
4	AG514554	12	WASHER 0.50 FL ZN SAE TYP-A G8	
5	AG518361	1	CROSSMEMBER	
6	AG520614	6	NUT-.50-13,G8,ZN,HH,C-LK	
7	AG559237	6	BOLT 0.50-13NCX 1.50 G8 ZN HHD	

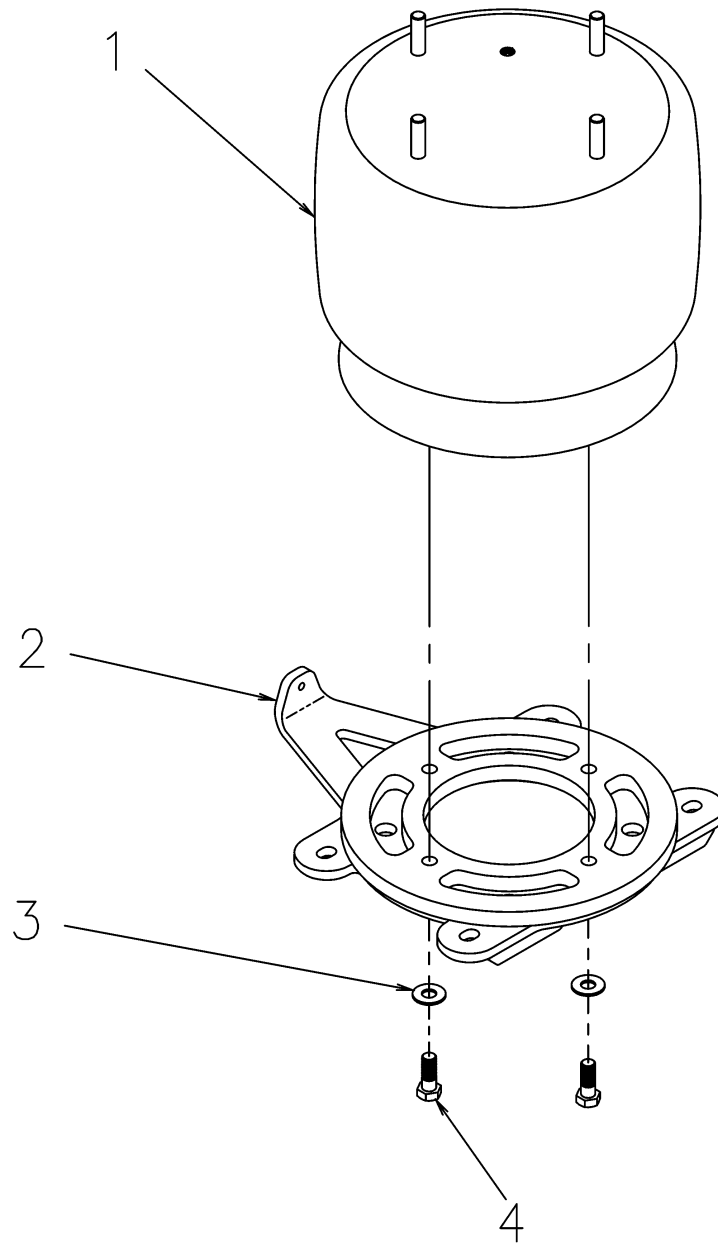
BOLT ASM-EYE



260466-D.TIF

BOLT ASM-EYE

ITEM	PART #	QTY	DESCRIPTION	COMMENTS
1	AG522877	1	BOLT-EYE,.75-10X18.00,G5,ZN	
2	AG120252	1	TUBE-EYEBOLT SHEATH	
3	AG522890	2	BUMPER-REBOUND STOP	
4	AG561501	1	WASHER HARD 1.88OD R/B 521690	
5	AG603864	1	NUT 0.75-10NC HEX ZN REG NY	
6	AG604184	2	WASHER 1.00 FL ZN SAE TYP-A G8	

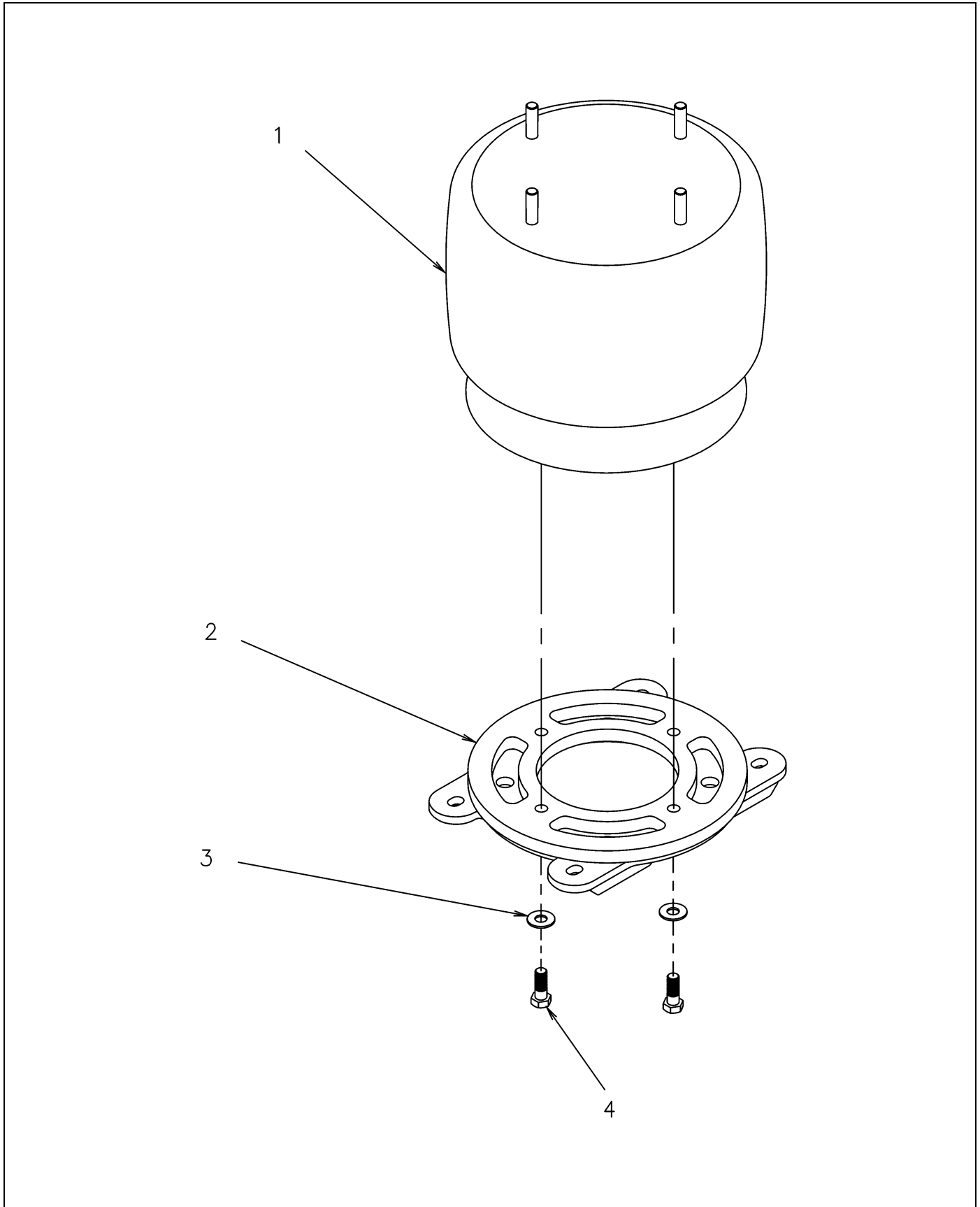


325588-B.TIF

AIR BAG ASM-RH

ITEM	PART #	QTY	DESCRIPTION	COMMENTS
1	AG522285	1	SPRING-AIR,FS	
2	AG325217	1	BRKT WLDMT-MTG,AIR BAG	
3	AG550353	4	WASHER 0.50 FL ZN REG TYPE-B	
4	AG550256	4	BOLT.50-13NCX1.25 G5 ZN HHD	

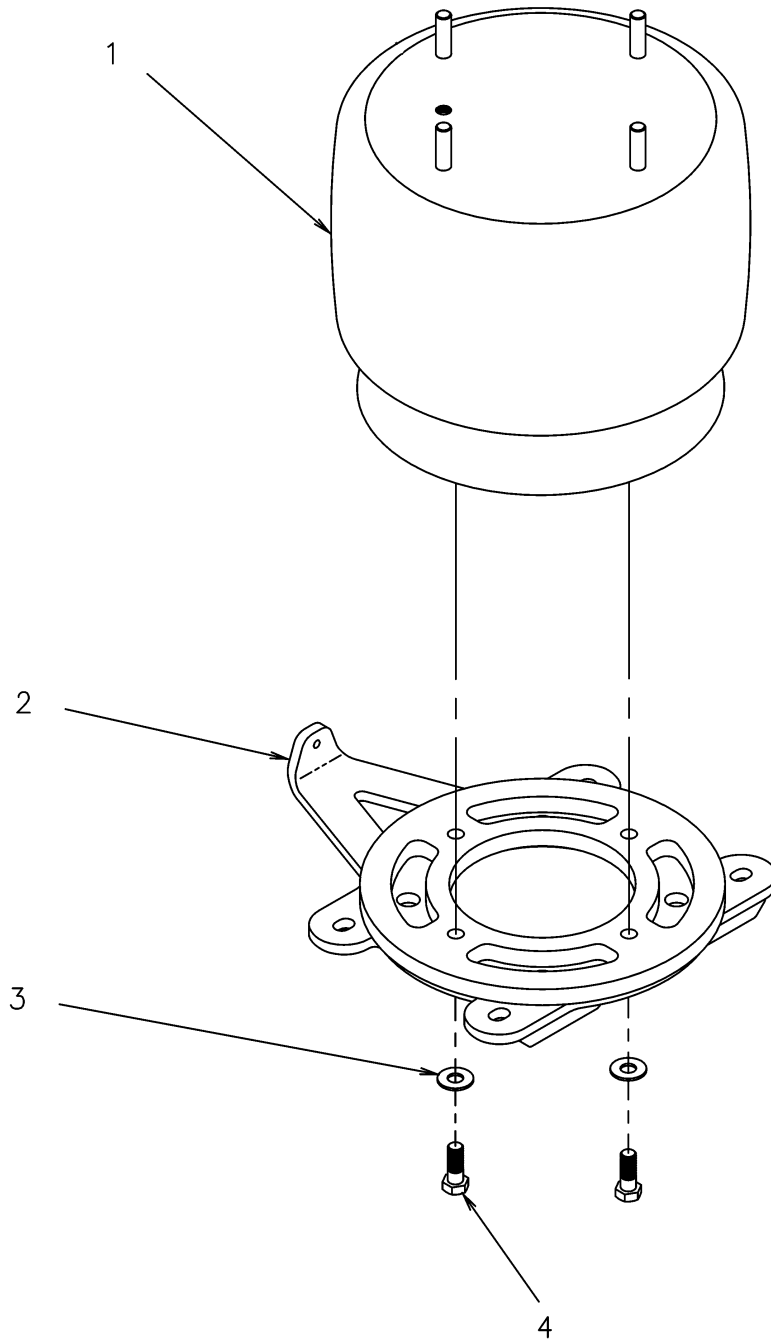
AIR BAG ASM-REAR



325896-A.TIF

AIR BAG ASM-REAR

ITEM	PART #	QTY	DESCRIPTION	COMMENTS
1	AG522285	1	SPRING-AIR,FS	
2	AG325895	1	BRKT WLDMT-MTG,AIR BAG,REAR	
3	AG550353	4	WASHER 0.50 FL ZN REG TYPE-B	
4	AG550256	4	BOLT.50-13NCX1.25 G5 ZN HHD	

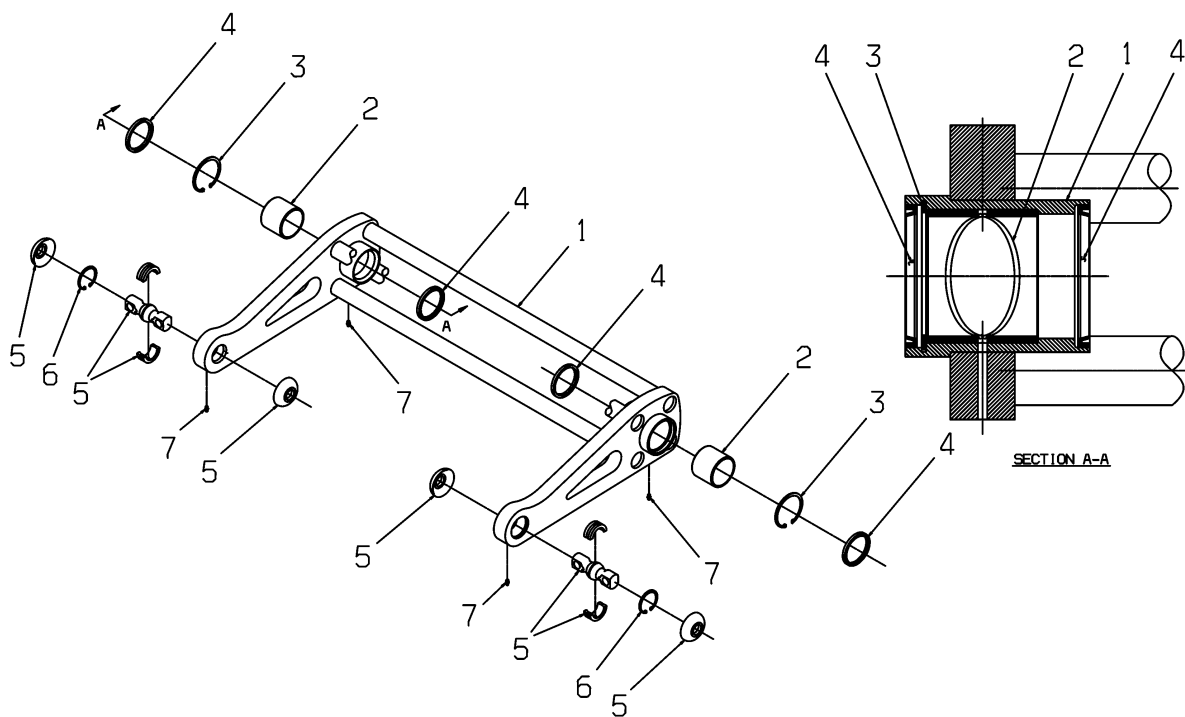


326053-A.tif

AIR BAG ASM-LH

ITEM	PART #	QTY	DESCRIPTION	COMMENTS
1	AG522285	1	SPRING-AIR,FS	
2	AG325217	1	BRKT WLDMT-MTG,AIR BAG	
3	AG550353	4	WASHER 0.50 FL ZN REG TYPE-B	
4	AG550256	4	BOLT.50-13NCX1.25 G5 ZN HHD	

BAR ASM-ANTI-ROLL

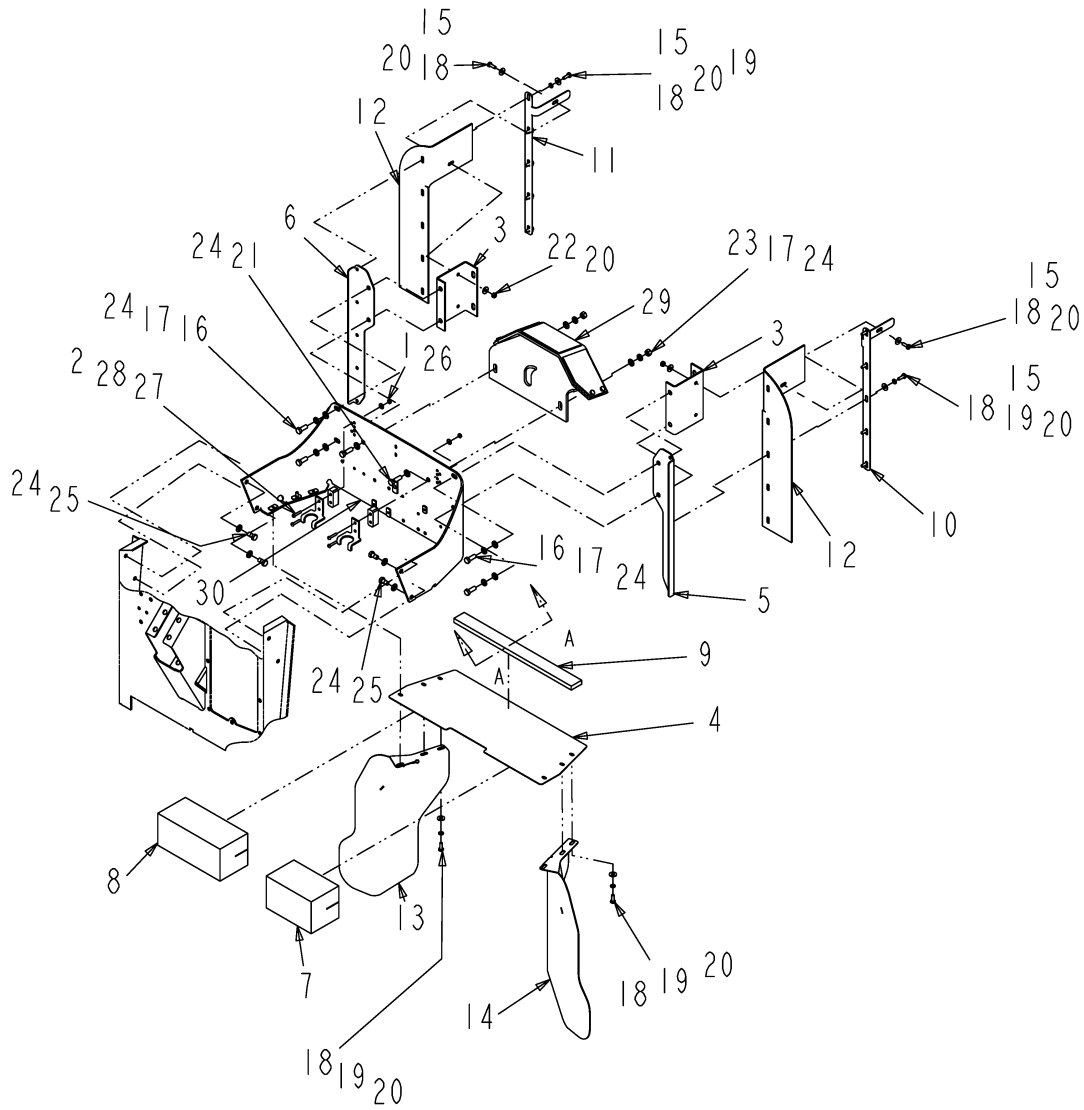


423071-E-1.TIF

BAR ASM-ANTI-ROLL

ITEM	PART #	QTY	DESCRIPTION	COMMENTS
1	AG503813	1	BAR WLDMT-ANTI-ROLL	
2	AG522846	2	BEARING-SLEEVE,3.262 IDX3.00L	
3	AG522847	2	RING-RETAINING,INT,3.87DIA	
4	AG522848	4	SEAL-WIPER,CANNED,3.25DIA	
5	AG522612	2	BEARING-SPHERICAL,2.00	
6	AG522577	2	RING-SNAP,2.56	
7	AG561892	4	FITTING LUBE STR 0.25UNF	

FIRE WALL INSTL

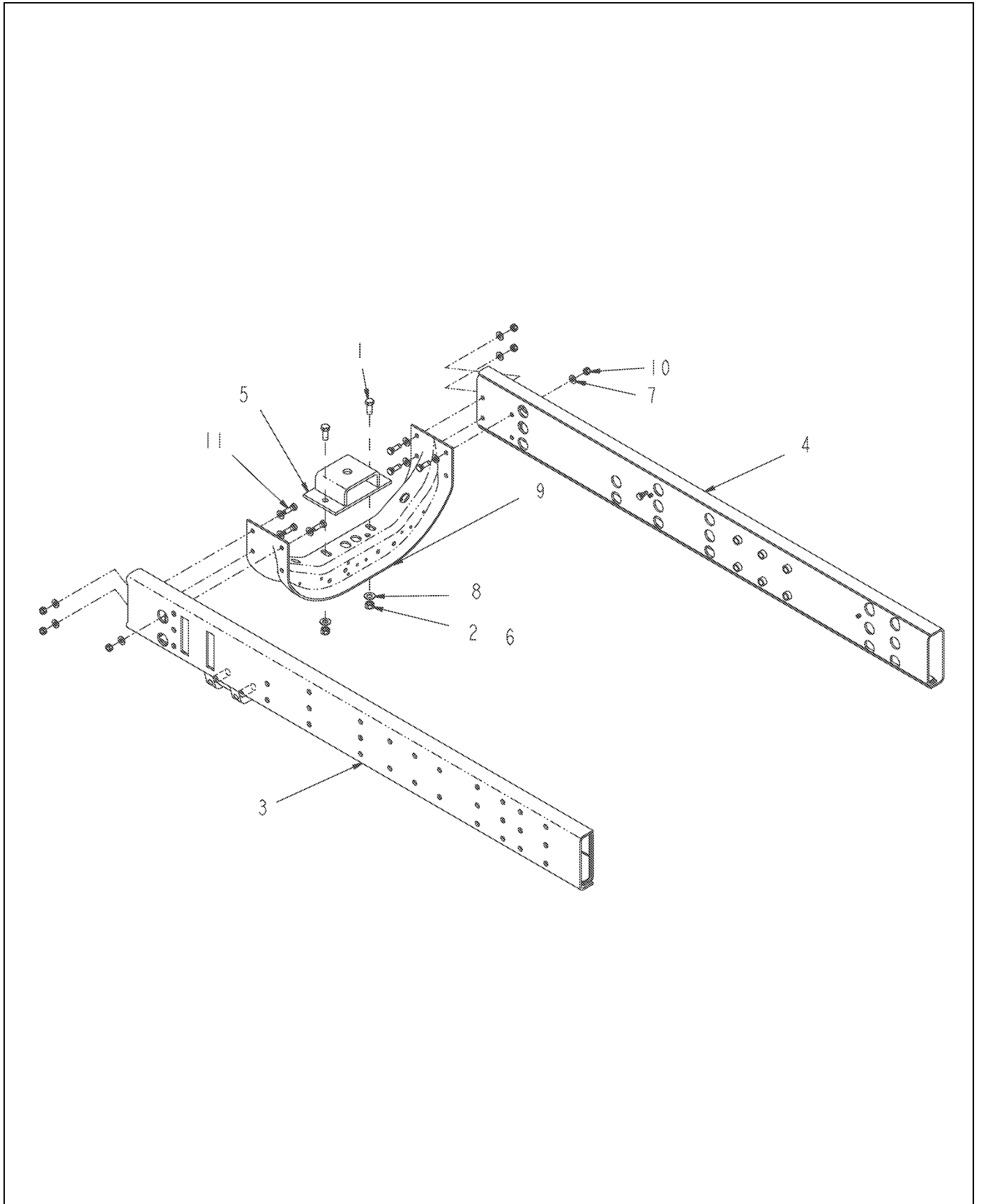


512433D1-01-N308-.TIF

FIRE WALL INSTL

ITEM	PART #	QTY	DESCRIPTION	COMMENTS
1	AG027274	4	NUT #10-24NC HEX SS REG NY	
2	AG126418	2	SPACER-HOOD LATCH	
3	AG237820	2	BRACKET WLDMT-DEAERATION TANK	
4	AG260174	1	PLATE-BOTTOM,HOOD SUPPORT,REAR	
5	AG262706	1	BRKT WLDMT-MTG,RECIRC,RH	
6	AG262707	1	BRKT WLDMT-MTG,RECIRC,LH	
7	AG262708	1	SEAL-CAB,FOAM,RH	
8	AG262709	1	109966AB,FOAM,LH	
9	AG262711	1	SEAL-FIREWALL,LOWER	
10	AG328134	1	BRKT-MTG,RUBBER,RH	
11	AG328135	1	BRKT-MTG,RUBBER,LH	
12	AG328136	2	BARRIER-AIR,RUBBER	
13	AG512885	-	LOCTITE ADHESIVE SEALANT BLUE	
14	AG550175	4	BOLT 0.37-16NCX 1.00 G5 ZN HHD	
15	AG550191	6	WASHER 0.37 LK ZN REG	
16	AG550485	16	BOLT 0.25-20NCX 0.75 G5 ZN HHD	
17	AG550493	14	WASHER 0.25 LK ZN REG	
18	AG550507	18	WASHER 0.25 FL ZN REG TYPE-B	
19	AG550515	2	BOLT 0.37-16NCX 1.25 G5 ZN HHD	
20	AG550612	2	NUT 0.25-20NC HEX ZN REG	
21	AG550825	12	NUT 0.37-16NC HEX ZN REG	
22	AG550981	12	WASHER 0.37 FL ZN NAR TYPE-B	
23	AG551503	4	BOLT 0.37-16NCX 0.75 G5 ZN HHD	
24	AG562082	4	WASHER #10 FL SS REG TYPE-B	
25	AG562086	4	SCREW 10-24X 1.50 MA SS SL RHD	
26	AG600016	2	BRACKET HOOD 510327 (P)	
29	511487D1	1	SUPPORT ASM-HOOD REAR	SEE PAGE 11-17
30	512432D1	1	BRACKET-WLDMT-HOOD SUPPORT	

CROSSMEMBER ASM-ENGINE,FRONT

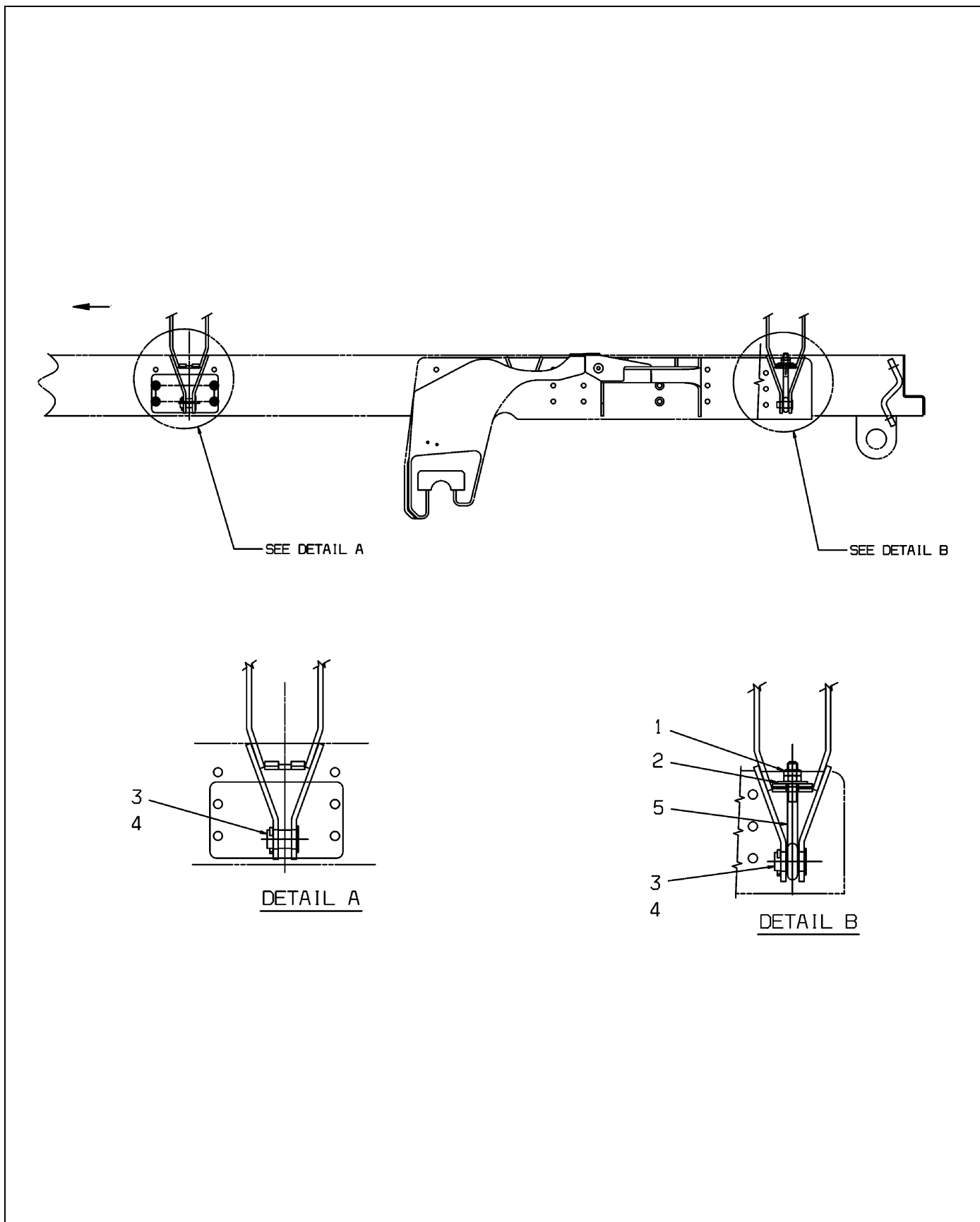


130101-03-N960-.TIF

CROSSMEMBER ASM-ENGINE,FRONT

ITEM	PART #	QTY	DESCRIPTION	COMMENTS
1	WR10193	2	SCREW-CAP HEX 5/8 NC X	
2	AG125312	2	NUT-.62-11NC GR8 HEX ZY	
3	AG130102	1	TUBE WLDMT-SUPPORT,FRAME,LH,FR	
4	AG130103	1	TUBE WLDMT-SUPPORT,FRAME,RH,FR	
5	AG130112	1	BRKT WLDMT-MTG,ENGINE	
6	AG512885	AR	LOCTITE ADHESIVE SEALANT BLUE	
7	AG514554	12	WASHER 0.50 FL ZN SAE TYP-A G8	
8	AG515180	2	WASHER 0.62 FL ZN SAE TYP-A G8	
9	AG518361	1	CROSSMEMBER	
10	AG520614	6	NUT-.50-13,G8,ZN,HH,C-LK	
11	AG559237	6	BOLT 0.50-13NCX 1.50 G8 ZN HHD	

TIEDOWN INSTL-ROGATOR



425265-A.tif

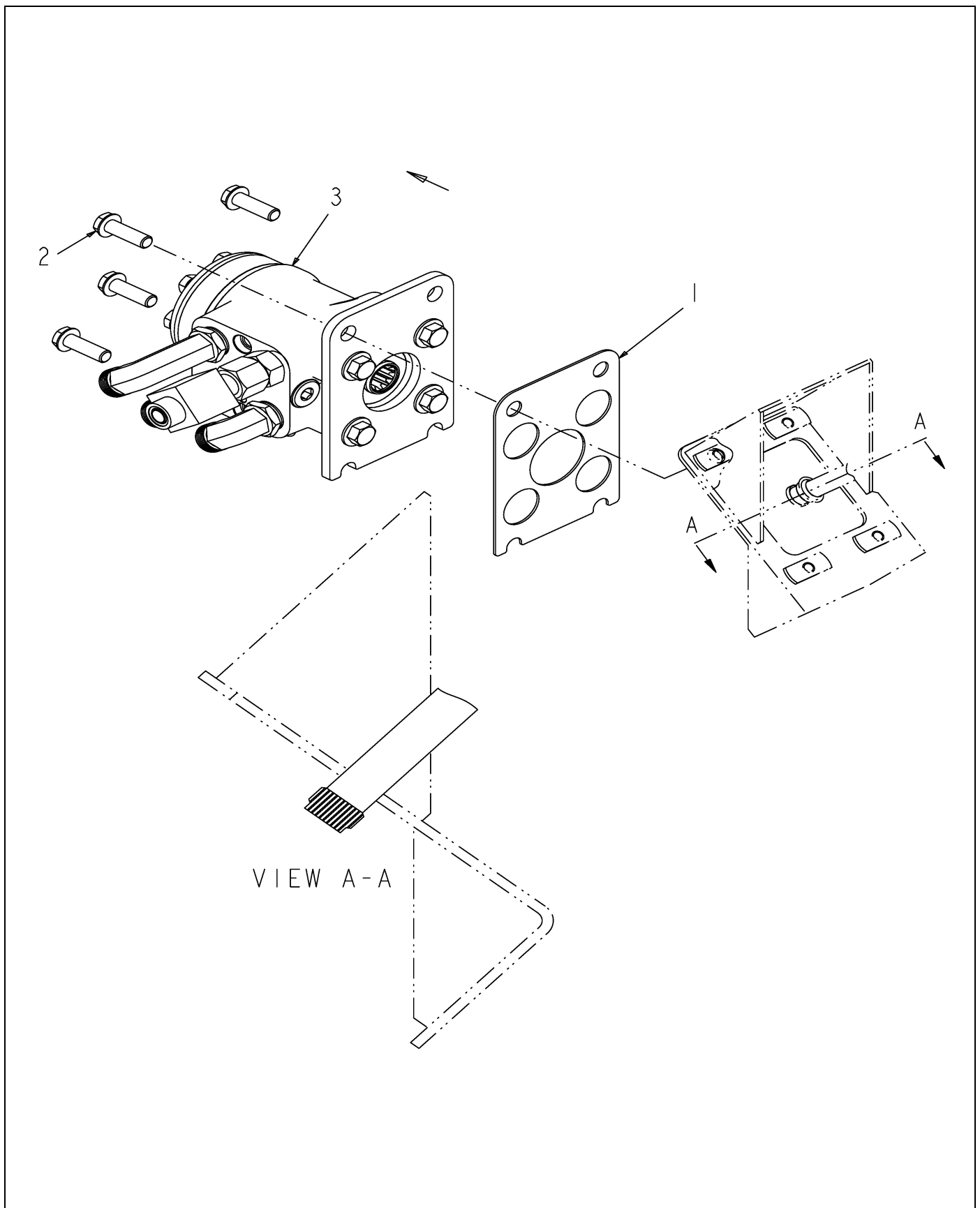
TIEDOWN INSTL-ROGATOR

ITEM	PART #	QTY	DESCRIPTION	COMMENTS
1	AG515210	4	NUT 0.75-10NC HEX GALV JAM OSZ	
2	AG561262	2	WASHER 0.87 FL ZN REG TYPE-B	
3	AG200557	4	WLDMT PIN PIVOT	
4	AG550809	4	PIN COTTER 0.18X2.25 ZN	
5	AG200573	2	BOLT EYE .75NCX6.0 SHK DF GALV	

STEERING ORBITROL INSTL	3-1
GEARBOX-DBL PUMP DR,DROP,1.37	3-2
FLANGE KIT-CODE 62,-16,4.00 BL	3-3



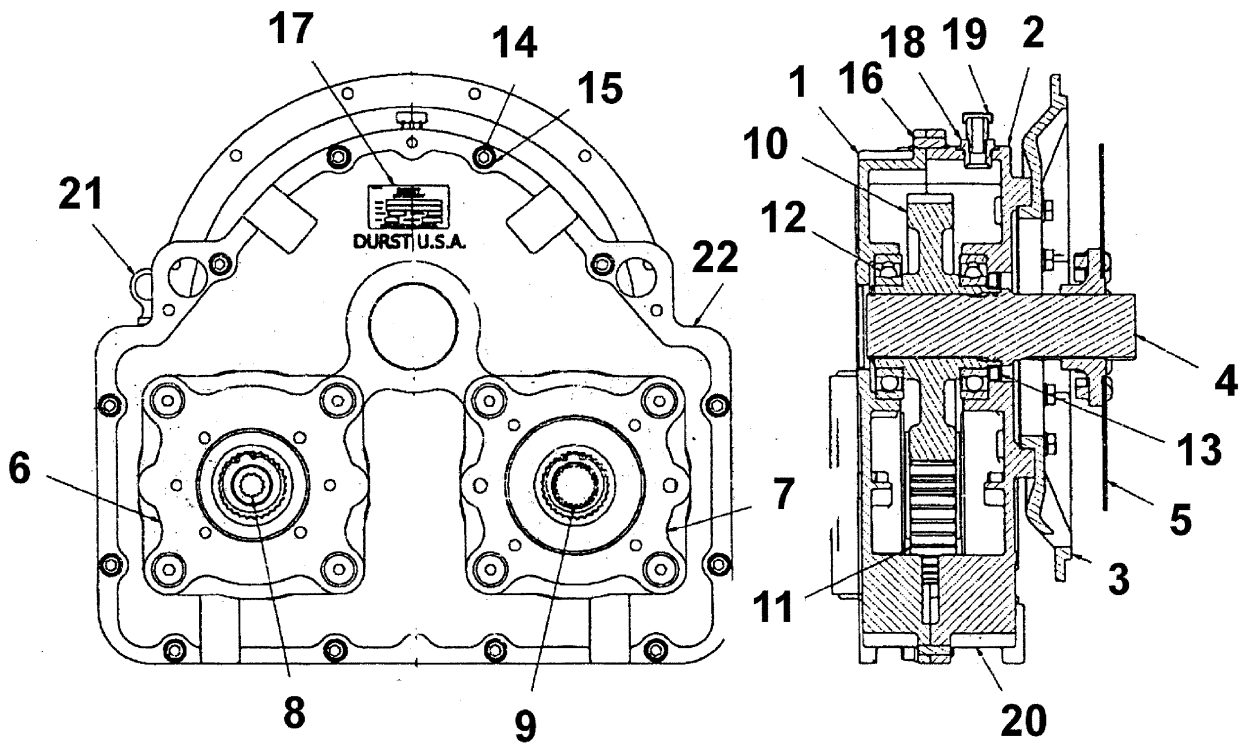
STEERING ORBITROL INSTL



511777D1-01-N308-.TIF

STEERING ORBITROL INSTL

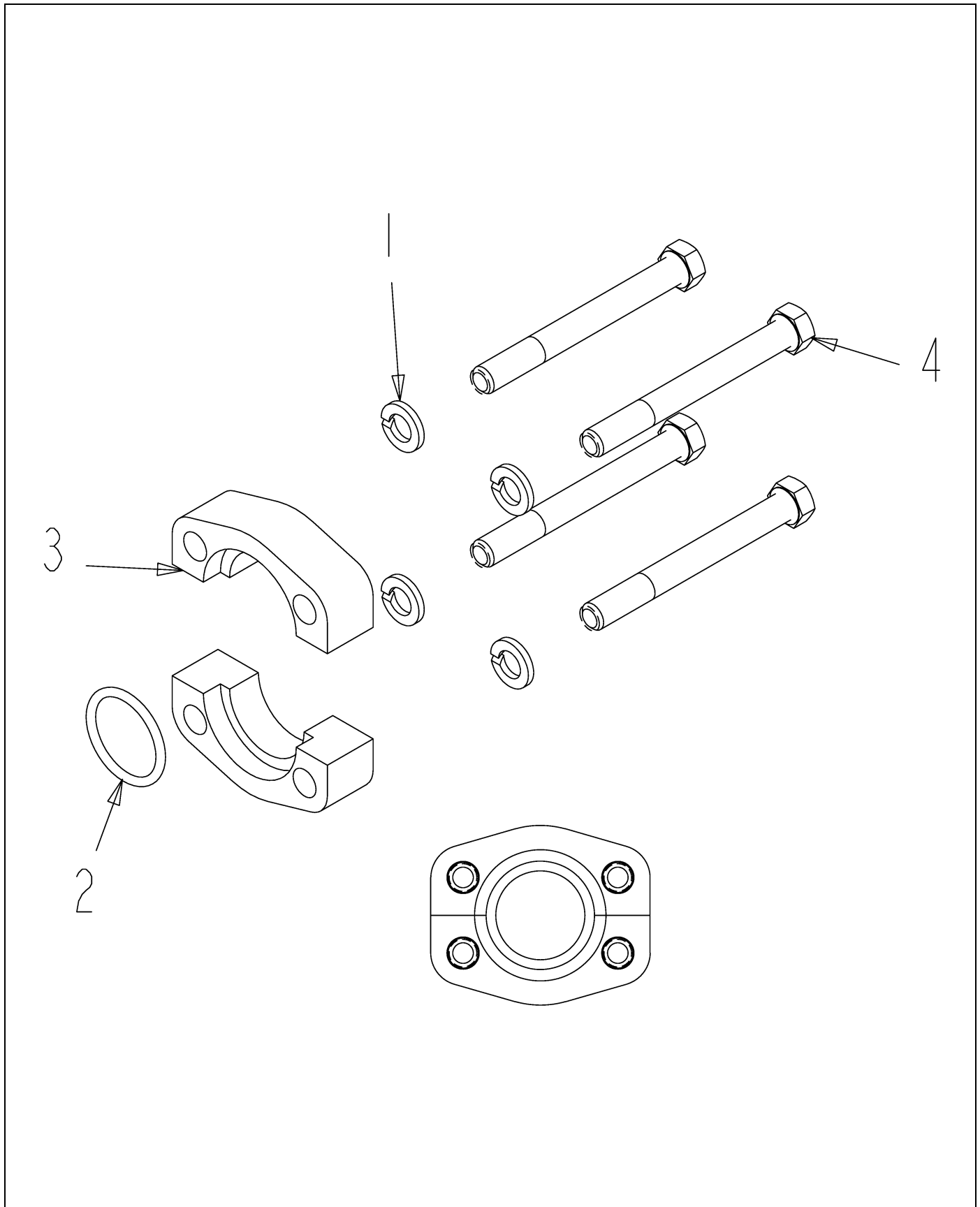
ITEM	PART #	QTY	DESCRIPTION	COMMENTS
1	AG262053	-	SHIM-MTG,STEERING ORBITROL	
2	AG520691	4	BOLT-M10-1.5X30MM,G8.8,FLG,HHD	
3	511778D1	1	HYD STEERING ORBITROL ASM	SEE PAGE 5-42



509852D1.tif

GEARBOX-DBL PUMP DR,DROP,1.37

ITEM	PART #	QTY	DESCRIPTION	COMMENTS
0	AG330073	-	SEAL	
1	AG331443	1	HOUSING/OUTPUT 2PAD8.5 IN FINISHD	
2	AG331444	1	HOUSING/INPUT 2PAD8.5 IN FINISHD	
3	AG331445	1	MOD/ENGINE ADAPTER-SAE2	
4	AG331449	1	MOD/SHAFT-INPUT29T X 29T-12/24	
5	AG331450	1	DRIVEPLATE/ASSY-SAE 11-1/2	
6	AG331451	1	MOD/PUMP PAD-SAE B	
7	AG331452	1	MOD/PUMP PAD-SAE C	
8	AG331453	1	MOD/SPLINE-SAE B	
9	AG331454	1	MOD/SPLINE- 23T - 16/32	
10	AG331455	1	GEAR/SPUR-6DP-59T-SOS-1.750 IN FW	
11	AG331456	2	GEAR/SPUR-6DP-43T-SOS-1.750 IN FW	
12	AG331457	8	BEARNG/BAL3.1496X5.5118X1.0236	
14	AG330074	12	SCREW/CAP	
15	AG331458	12	WASHER/LOCK 1/2	
16	AG331459	2	PIN/DOWEL 3/8	
17	AG331460	1	NAME/TAG	
18	AG330075	1	FITTING	
19	AG124995	1	BREATHER-GEARBOX	
20	AG330077	1	PLUG/DRAIN MAG.	
21	AG331520	-	DIPSTICK-3PD06	
22	AG331461	1	PLUG/EXP 3/8	



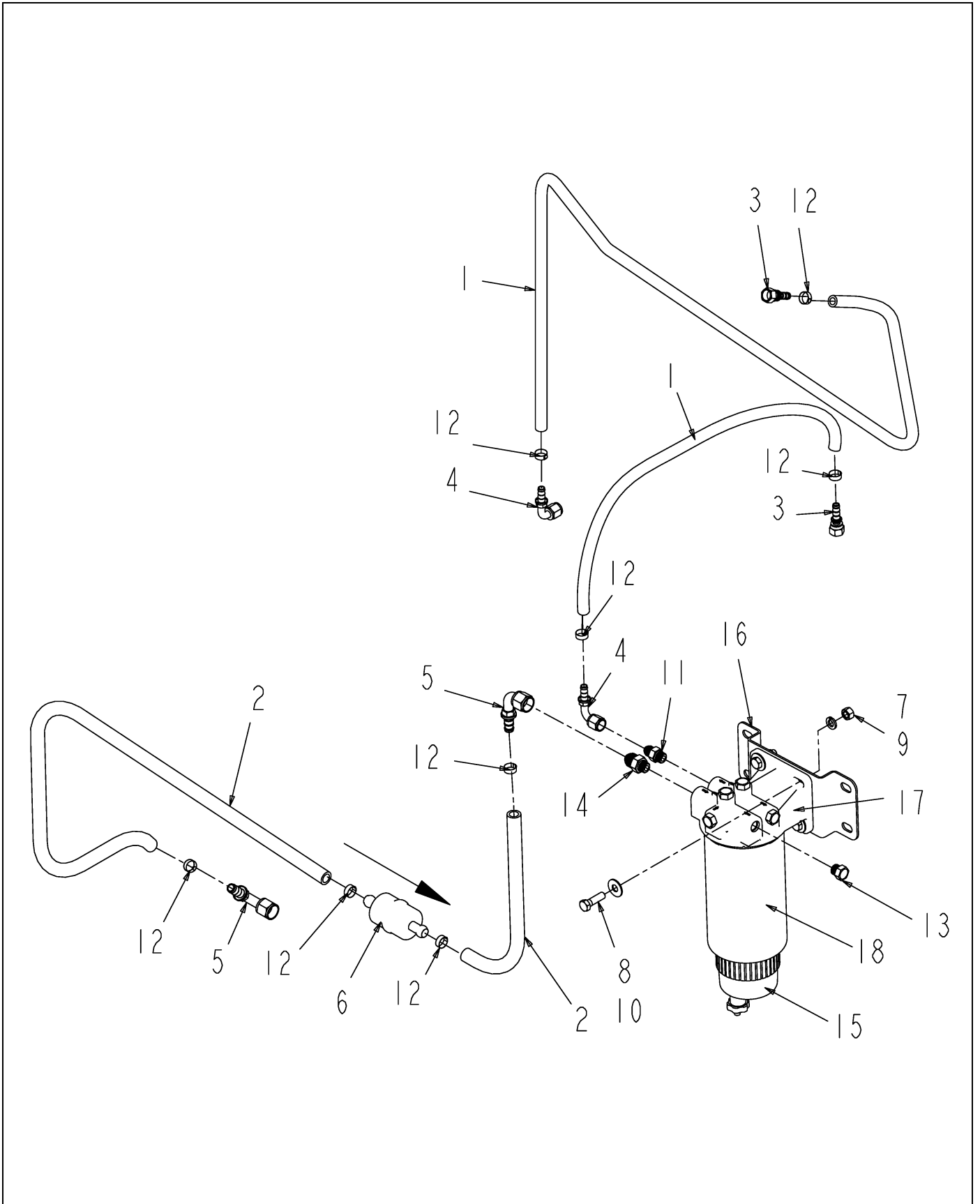
401267X1-02-N960-.TIF

FLANGE KIT-CODE 62,-16,4.00 BL

ITEM	PART #	QTY	DESCRIPTION	COMMENTS
1	AG550558	4	WASHER 0.43 LK ZN REG	
2	AG609418	1	O-RING,32.92IDX3.53MM,BUNA-N90	
3	AG609898	2	FLANGE HALF,CD 62-16	
4	401447X1	4	BOLT-7/16-14X4IN ZNDI HHD 10.9	

INSTL-FUEL LINE	4-1
FUEL SENDER-TUBE TYPE	4-2
FUEL TANK AND TOOL BOX INSTL	4-3
FUEL TANK/TOOL BOX INSTL	4-4

INSTL-FUEL LINE

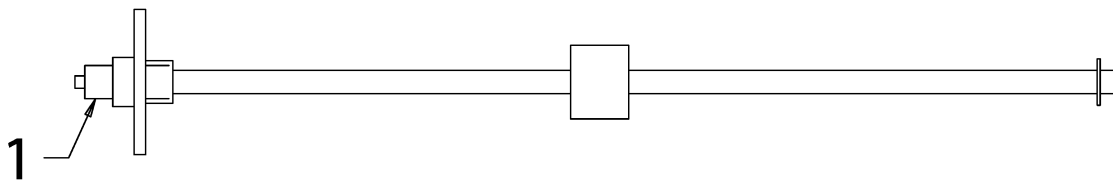


517122D1-01-R071-.TIF

INSTL-FUEL LINE

ITEM	PART #	QTY	DESCRIPTION	COMMENTS
1	AG510939	-	HOSE HYD 0.37 BULK 250PSI WP [BULK: 8.750 FT]	
2	AG510947	-	HOSE HYD 0.50 BULK 250PSI WP [BULK: 5.417 FT]	
3	AG519507	2	FITTING PUSH-LOK-6	
4	AG520426	2	FITTING-HOSE -6 FJS90	
5	AG524539	2	ELBOW-HYD,-8FJICX-8BARB,90D	
6	AG524540	1	STRAINER-INLINE,0.50,100 MESH	
7	AG550191	4	WASHER 0.37 LK ZN REG	
8	AG550515	4	BOLT 0.37-16NCX 1.25 G5 ZN HHD	
9	AG550825	4	NUT 0.37-16NC HEX ZN REG	
10	AG551007	4	WASHER 0.37 FL ZN REG TYPE-B	
11	AG560693	1	ADAP STR 0.37MO-R X 0.37MJIC	SEE PAGE 5-10
12	AG561025	8	CLAMP HOSE .218 TO .625 U5S	
13	AG561797	5	PLUG 0.37MO-R HEX	[A]
14	AG562372	1	ADAP STR 0.37MO-R X 0.50MJIC	
16	506166D1	1	BRACKET-FUEL FILTER	
17	CH177-9778	-	BASE AS-FUEL FILTER	
18	CH1R-0771	-	FILTER AS.- (FWS)	
	FOOTNOTE [A]		AG713166 O-RING	

FUEL SENDER-TUBE TYPE

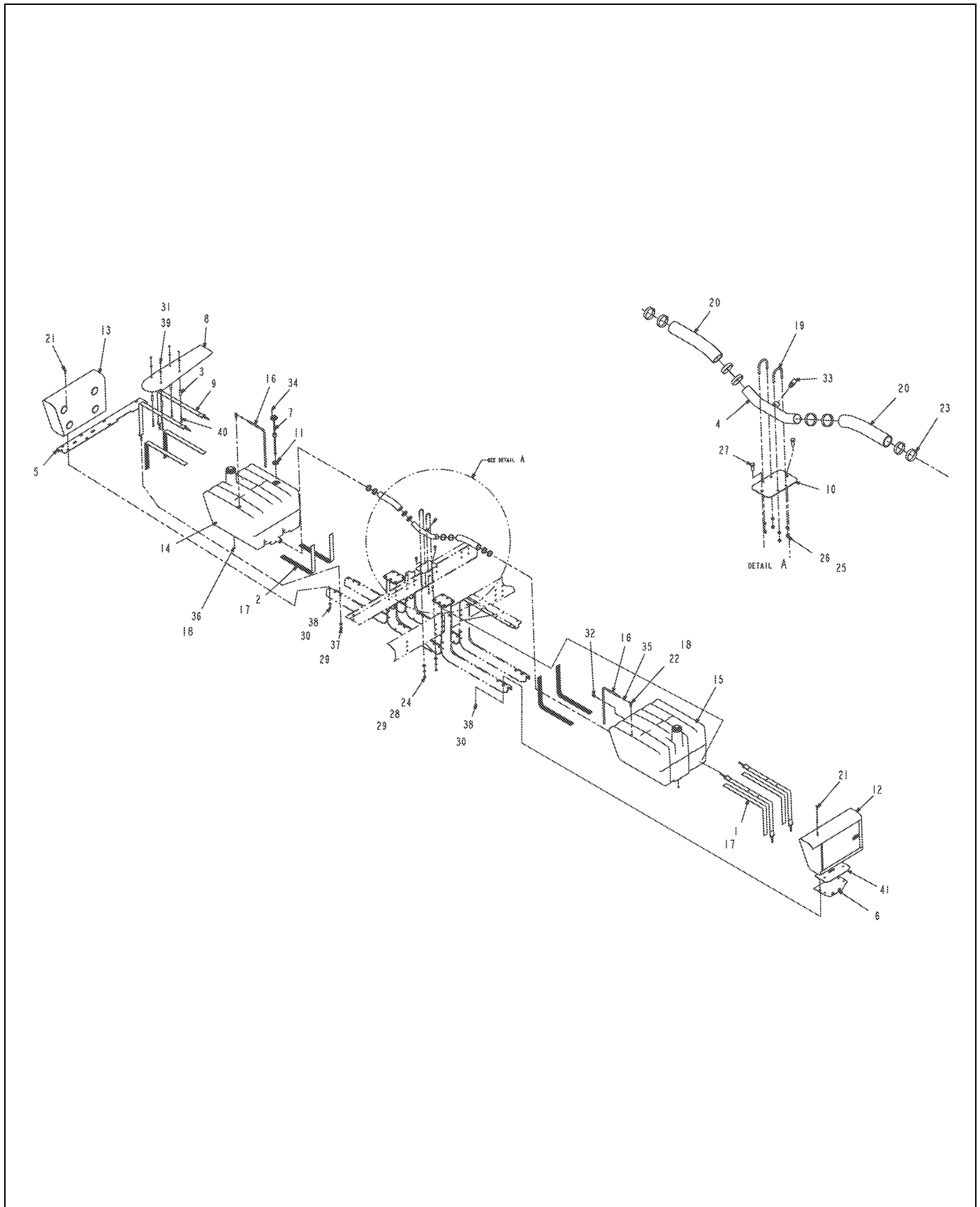


122986-A-J620-.TIF

FUEL SENDER-TUBE TYPE

ITEM	PART #	QTY	DESCRIPTION	COMMENTS
1	AG523362	1	CONN-PLUG,2WAY,18-14GA	

FUEL TANK AND TOOL BOX INSTL

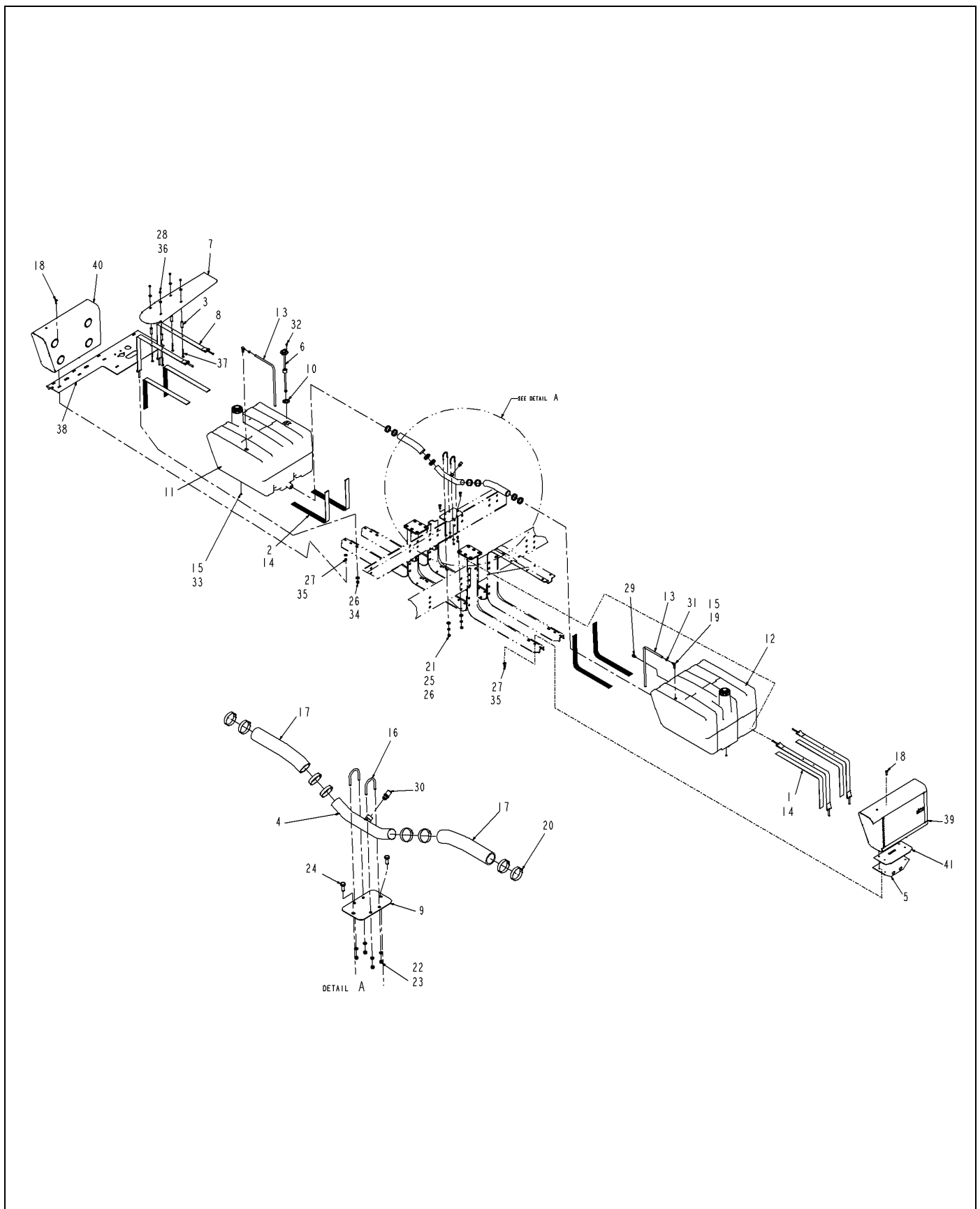


503547D1-04-R101-.TIF

FUEL TANK AND TOOL BOX INSTL

ITEM	PART #	QTY	DESCRIPTION	COMMENTS
1	AG109742	4	MATTING-RUBBER,2.00X44.50X.12	
2	AG109754	4	MATTING-RUBBER,2.00X46.00X.12	
3	AG114533	4	TUBE, SPACER Y	
4	AG120558	1	TUBE WLDMT-FUEL LINE	
5	AG122229	1	BRKT,STIFFNER,HAT SECTION	
6	AG122302	1	BRKT-AUX BAT POST	
7	AG122986	1	FUEL SENDER-TUBE TYPE	SEE PAGE 4-2
8	AG125208	1	SHIELD-EXHAUST	
9	AG125210	4	STRAP WLDMT-FUEL TANK	
10	AG130111	1	PLATE,MTG-FUEL TUBE	
11	AG236753	1	GASKET-SENDER,FUEL	
12	AG325049	1	CABINET ASM-TOOL BOX,LH	SEE PAGE 11-7
13	AG325050	1	CABINET ASM-TOOL BOX,RH	SEE PAGE 11-9
14	AG504815	1	TANK-FUEL,65GL,POLY,RH	
15	AG504816	1	TANK-FUEL,65GL,POLY,LH	
16	AG510939	-	HOSE HYD 0.37 BULK 250PSI WP [BULK: 5 FT]	
17	AG512346	AR	3M 1300 YELLOW ADHESIVE (GAL)	
18	AG513916	AR	LOCTITE HYD SEALANT BROWN	
19	AG518292	2	BOLT-U .31-18X2.00X 2.69 RD SS	
20	AG522183	-	HOSE-FUEL,2.00 ID [BULK: 2.500 FT]	
21	AG522439	8	BOLT-.38-16X1.5,G5,ZN,CRG	
22	AG522453	2	VENT-FUEL,90D,.50MNPTX.38HOSEB	
23	AG523919	8	CLAMP-HIGH TORQUE,3.00	
24	AG550124	2	NUT 0.50-13NC HEX ZN REG	
25	AG550205	4	WASHER 0.31 LK ZN REG	
26	AG550213	4	NUT 0.31-18NC HEX ZN REG	
27	AG550256	2	BOLT.50-13NCX1.25 G5 ZN HHD	
28	AG550264	2	WASHER 0.50 LK ZN REG	
29	AG550353	10	WASHER 0.50 FL ZN REG TYPE-B	
30	AG551007	8	WASHER 0.37 FL ZN REG TYPE-B	
31	AG551015	4	WASHER 0.31 FL ZN REG TYPE-B	
32	AG551201	1	ADAP STR .37MNPT X .37MJIC (N)	
33	AG552461	1	ADAP STR 0.50MNPT X 0.50MJIC	
34	AG553174	5	SCREW 10-32X 0.75 MA ZN SL RHD	
35	AG561025	2	CLAMP HOSE .218 TO .625 U5S	
36	AG561867	2	PLUG PIPE 0.25-18 EXT HEX HD	
37	AG601152	8	NUT 0.50-13NC HEX ZN REG NY	
38	AG601411	8	NUT 0.37-16NC HEX ZN REG NY	
39	AG601888	4	NUT 0.31-18NC HEX ZN REG NY	
40	401421X1	4	BOLT-.31X3.50 G5 CRG ZN/Y	
41	517162D1	1	SHIELD-POST	
	FOOTNOTE		EFFECTIVE S/N Sxx1001- Txx1000	

FUEL TANK/TOOL BOX INSTL



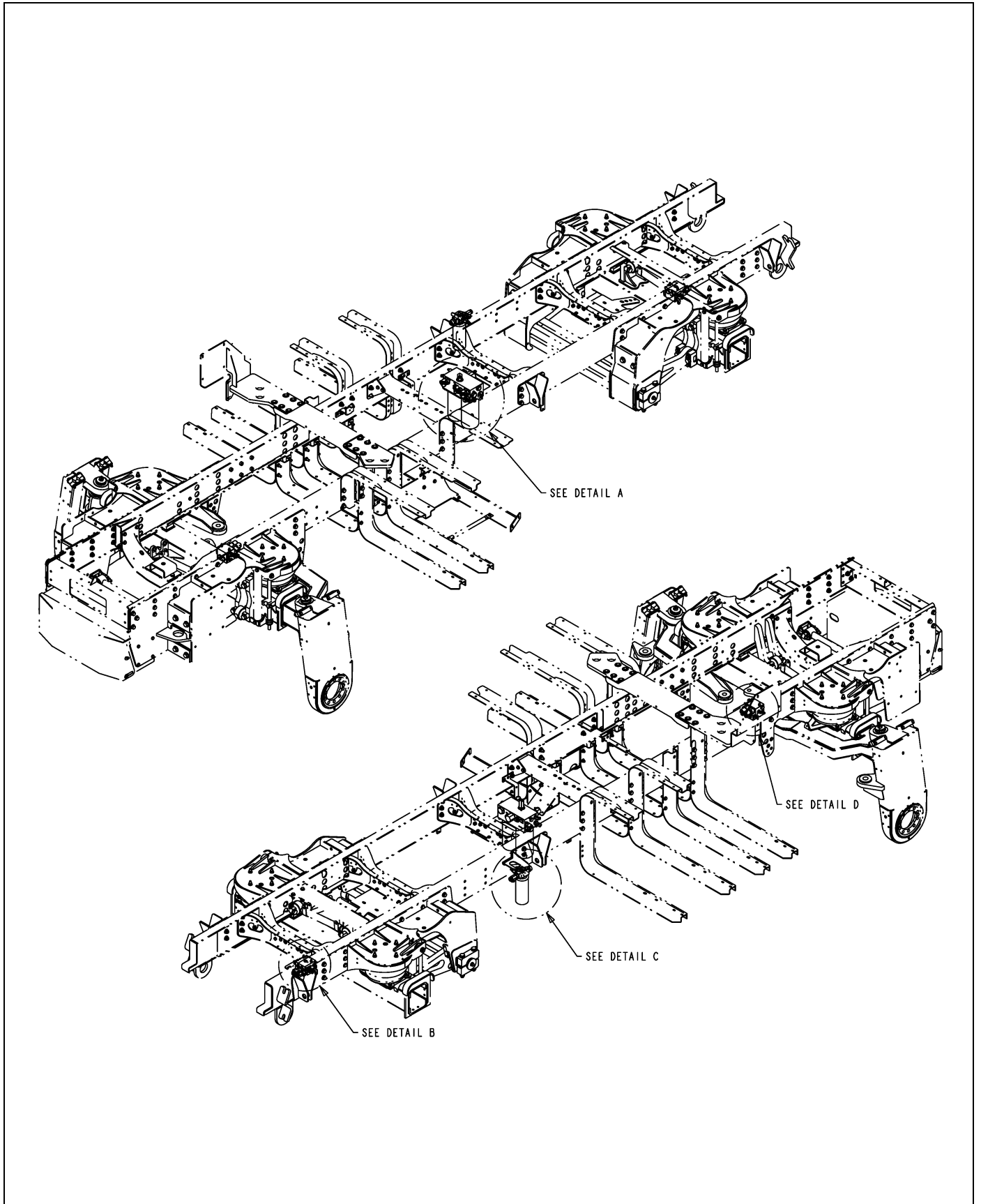
519022D1-02-R351-.TIF

FUEL TANK/TOOL BOX INSTL

ITEM	PART #	QTY	DESCRIPTION	COMMENTS
1	AG109742	4	MATTING-RUBBER,2.00X44.50X.12	
2	AG109754	4	MATTING-RUBBER,2.00X46.00X.12	
3	AG114533	4	TUBE, SPACER Y	
4	AG120558	1	TUBE WLDMT-FUEL LINE	
5	AG122302	1	BRKT-AUX BAT POST	
6	AG122986	1	FUEL SENDER-TUBE TYPE	SEE PAGE 4-2
7	AG125208	1	SHIELD-EXHAUST	
8	AG125210	4	STRAP WLDMT-FUEL TANK	
9	AG130111	1	PLATE,MTG-FUEL TUBE	
10	AG236753	1	GASKET-SENDER,FUEL	
11	AG504815	1	TANK-FUEL,65GL,POLY,RH	
12	AG504816	1	TANK-FUEL,65GL,POLY,LH	
13	AG510939	-	HOSE HYD 0.37 BULK 250PSI WP [BULK: 5 FT]	
14	AG512346	AR	3M 1300 YELLOW ADHESIVE (GAL)	
15	AG513916	AR	LOCTITE HYD SEALANT BROWN	
16	AG518292	2	BOLT-U .31-18X2.00X 2.69 RD SS	
17	AG522183	-	HOSE-FUEL,2.00 ID [BULK: 2.500 FT]	
18	AG522439	14	BOLT-.38-16X1.5,G5,ZN,CRG	
19	AG522453	2	VENT-FUEL,90D,.50MNPTX.38HOSEB	
20	AG523919	8	CLAMP-HIGH TORQUE,3.00	
21	AG550124	2	NUT 0.50-13NC HEX ZN REG	
22	AG550205	4	WASHER 0.31 LK ZN REG	
23	AG550213	4	NUT 0.31-18NC HEX ZN REG	
24	AG550256	2	BOLT.50-13NCX1.25 G5 ZN HHD	
25	AG550264	2	WASHER 0.50 LK ZN REG	
26	AG550353	10	WASHER 0.50 FL ZN REG TYPE-B	
27	AG551007	14	WASHER 0.37 FL ZN REG TYPE-B	
28	AG551015	4	WASHER 0.31 FL ZN REG TYPE-B	
29	AG551201	1	ADAP STR .37MNPT X .37MJIC (N)	
30	AG552461	1	ADAP STR 0.50MNPT X 0.50MJIC	
31	AG561025	2	CLAMP HOSE .218 TO .625 U5S	
32	AG561722	5	SCREW 10-32X 0.75 TAP ZN IWHHD	
33	AG561867	2	PLUG PIPE 0.25-18 EXT HEX HD	
34	AG601152	8	NUT 0.50-13NC HEX ZN REG NY	
35	AG601411	14	NUT 0.37-16NC HEX ZN REG NY	
36	AG601888	4	NUT 0.31-18NC HEX ZN REG NY	
37	401421X1	4	BOLT-.31X3.50 G5 CRG ZN/Y	
38	503458D1	1	BRKT,STIFFENER,HATSECTION	
39	516388D1	1	TOOL BOX ASM,LH	
40	516389D1	1	TOOL BOX ASM,RH	
41	517162D1	1	SHIELD-POST	
	FOOTNOTE		EFF S/N ..Txx1001	

HYD INSTL-COMPONENT	5-1
HYD INSTL-COMPONENT	5-2
MANIFOLD-RETURN,2 FILTERS	5-3
MANIFOLD-RETURN,DUAL COOLER	5-4
CARTRIDGE-HYD RELIEF	5-5
CYLINDER ASM-HYD,LADDER	5-6
RETURN MANIFOLD ASSEMBLY	5-7
CONNECTOR AS-STR -4STOR -4ORFS	5-8
CYLINDER-HYD,1.50X6.50X.63	5-9
ADAP STR 0.37MO-R X 0.37MJIC	5-10
HYD INSTL-CYLINDERS	5-11
CYLINDER ASM-TRACK,3.25	5-12
CYLINDER-HYD,3.25X16.00X1.25	5-13
CYLINDER ASM-STEERING, FRONT	5-14
CYLINDER-HYD,3.00X10.00X1.38	5-15
CYLINDER ASM-TRACK,3.75	5-16
CYLINDER-HYD,3.75X16.00X1.375	5-17
TRACK ADJ BLOCK ASM-FRONT	5-18
NIPPLE ASM-TEST,PD,-6 STOR	5-19
BLOCK-HYD,TRACK ADJUST	5-20
ELBOW AS-45 -8STOR-8ORFS	5-21
TRACK ADJ BLOCK ASM-REAR	5-22
ELBOW AS-4PORT-ORFS 90 DEGREE ORING	5-23
ELBOW AS-90DEG 16STOR 16ORFS	5-24
ELBOW ASM-45D,-20MOR X -16ORFS	5-25
CONNECTOR AS-20 ORFS X 20 STOR	5-26
CASE DRAIN FILTER ASM	5-27
CONNECTOR-ORFSXSTOR 25.4	5-28
FILTER ASM-CASE DRAIN	5-29
TANK ASM-HYD	5-30
RESERVOIR-HYD 60 GAL	5-31
CONNECTOR AS-STR-6STOR-8ORFS	5-32
ADAP ASM-STR,-24MOR X -200RFS	5-33
ADAP ASM-STR,-24MOR X -160RFS	5-34
CONNECTOR AS-STR-12STOR-8ORFS	5-35
ELBOW AS-90 DEGREE 6 ORFS X 10 STOR	5-36
CYLINDER ASM-STEERING, REAR	5-37
CYLINDER-HYD,3.00X12.00X1.38	5-38
VALVE ASM-4 WHL STR	5-39
ELBOW AS-90 DEGREE 8ORFS X 8STOR	5-40
ELBOW AS-90 DEGREE 6ORFS X 8STOR	5-41
HYD STEERING ORBITROL ASM	5-42
ADAP ASM-M18X1.5MOR X -80RFS	5-43
ELBOW ASM-90D M12X1.5 X 4STOR	5-44
ELBOW ASM-90D M18X1.5 X 8STOR	5-45
ELBOW-ASM-LG90 M18X1.5 X STOR	5-46
BRAKE VALVE INSTL-HYD	5-47
BRAKE VALVE ASM-HYD	5-48
VALVE-PRIORITY,OLS 80,80 L/MIN	5-49
VALVE-HYD,LADDER CONT	5-50
CONNECTOR AS-STR-6STOR-40ORFS	5-51

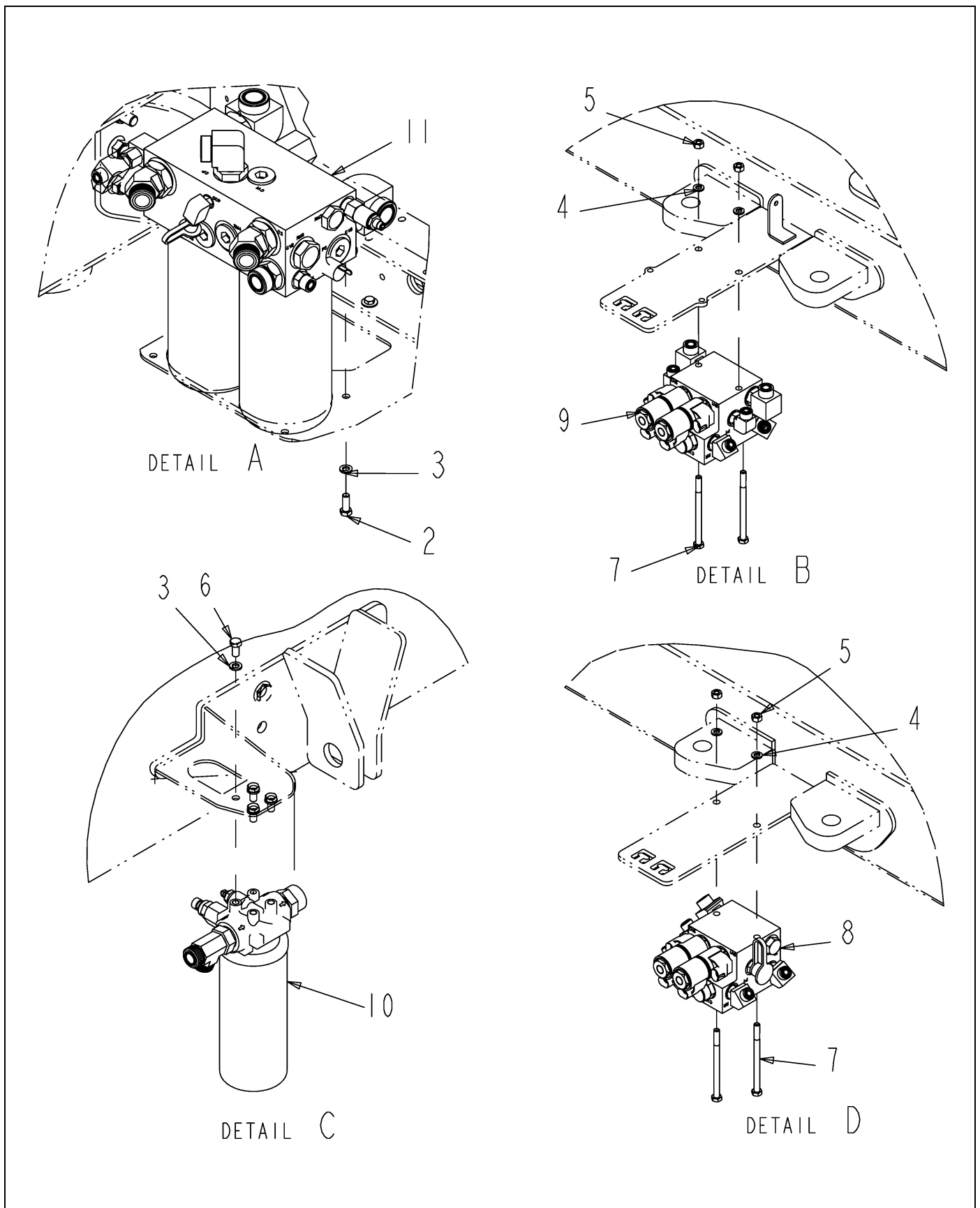
ELBOW AS.-90DEG 4STOR X 4ORFS	5-52
ADAP ASM-LONG,-20MOR X -200RFS	5-53
ELBOW ASM-90D-12MORX-160RFS	5-54
TEE ASM-RUN,-12MORX-160RFS	5-55
ELBOW ASM-90D,-24MOR X -200RFS	5-56
UNION ASM,-10 STOR X-10 STOR	5-57
ADAP ASM,-16STOR X -10FEM STOR	5-58
ELBOW ASM-45D,-10MOR X-8ORFS	5-59
ELBOW AS-90D 6STORX6 ORFS SWVL	5-60
ADP AS-RST,-04STORX-06ORFS.062	5-61
ELBOW ASM-90L,-06STOR X-06ORFS	5-62
TEE-AS-BR,-6 STOR X-6 FEM STOR	5-63
CONNECTOR AS-6ORFSX10STOR	5-64
BLOCK-HYD LOOP FLUSH	5-65
ADAPTER AS-6 STOR X 4 STOR	5-66
CONNECTOR AS-12 ORFSX 12STOR	5-67
TEE AS-6 ORFSX3	5-68
HYD INSTL-WHEEL MOTORS	5-69
VALVE ASM-SHIFT,WHEEL MOTOR	5-70
KIT-SPLIT FLH,-16CODE62,METRIC	5-71
ADAP ASM-LONG,-08MOR X -08ORFS	5-72
HYD INSTL-BULKHEAD FITTINGS	5-73
TEE ASM-BLKHD, -8 ORFS	5-74
TEE ASM-BLKHD, -12 ORFS	5-75
SPRT ASM-HOSE,DRIVE,FRONT	5-76
HYD INSTL-DRY SYSTEM	5-77
SUPPORT ASM-HOSE,DRIVE,REAR	5-78
PLMB INSTL-STEERING,HYD	5-79
PLMB INSTL-STEERING,HYD	5-80
PLMB INSTL-STEERING,HYD	5-81
CONNECTOR AS-6 STOR -6 ORFS	5-82
COOLER INSTL, HYD	5-83
HYD INSTL-HOSE CLAMPS	5-84
HYD INSTL-HOSE CLAMPS	5-85
HYD INSTL-HOSE CLAMPS	5-86
HYD INSTL-HOSES	5-87
HYD INSTL-HOSES	5-88
HYD INSTL-HOSES	5-89
HYD INSTL-HOSES	5-90
VALVE,HYD,4X4 STEER,W/CHECK	5-91
HYD INSTL-AUTOGUIDE,1286C	5-92
HYD INSTL-AUTOGUIDE,1286C	5-93
HYD INSTL-AUTOGUIDE,1286C	5-94
TEE AS.-60RFS	5-95
MOTOR,BBC05,2271CC,3 SP,NO BRK	5-96
MOTOR,BBC05,2271CC,4 SP,BRAKE	5-97
SUPPORT ASM-FRONT HOSES	5-98
HOSE INSTL	5-99
HOSE INSTL	5-100
HOSE INSTL	5-101
HOSE INSTL	5-102



509908D1-02-N960-01.TIF

HYD INSTL-COMPONENT

ITEM	PART #	QTY	DESCRIPTION	COMMENTS
	FOOTNOTE		ASSEMBLY DETAIL IMAGE, SEE RELATED PAGES FOR FURTHER BREAKDOWNS	

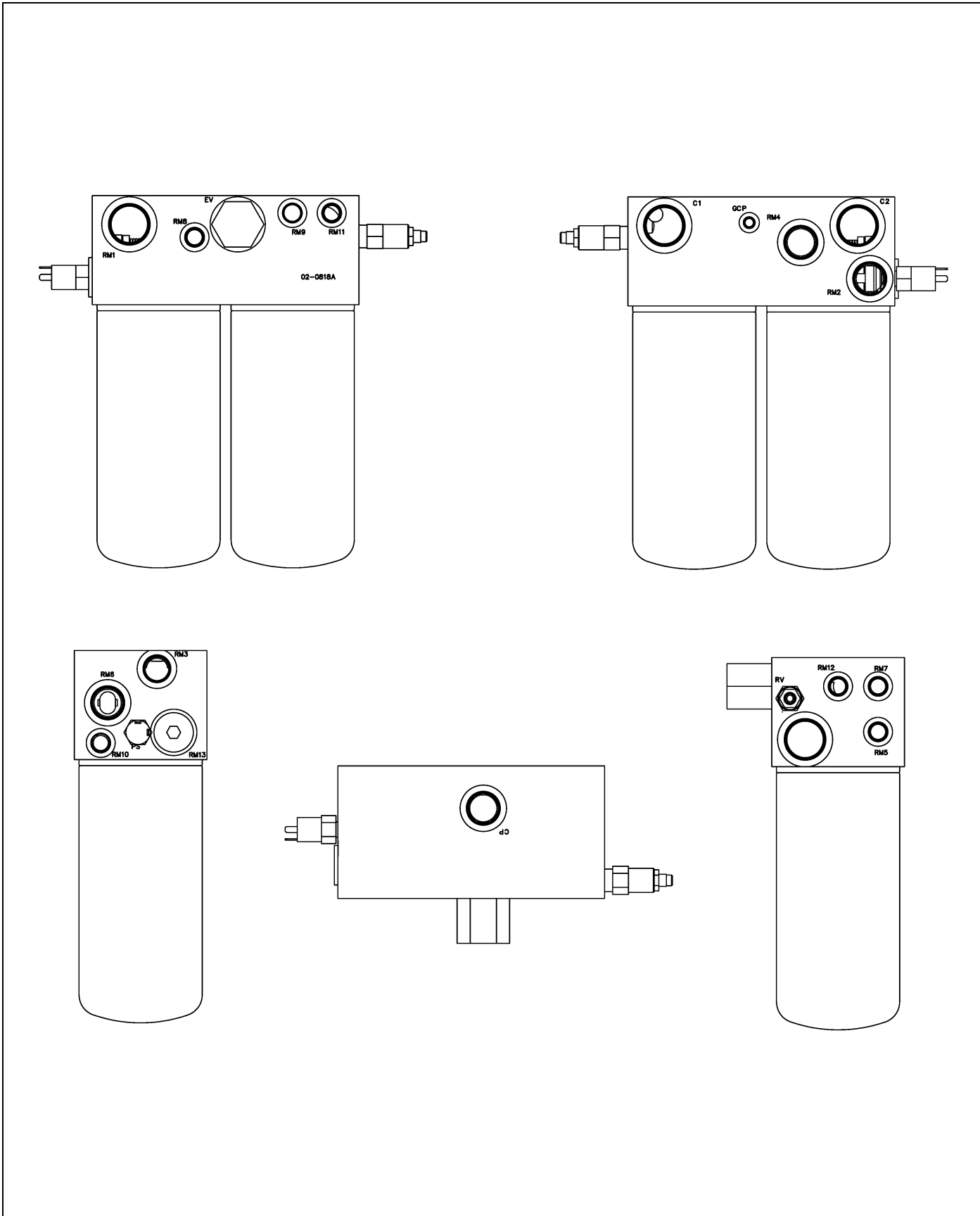


509908D1-02-N960-02.TIF

HYD INSTL-COMPONENT

ITEM	PART #	QTY	DESCRIPTION	COMMENTS
1	AG512885	-	LOCTITE ADHESIVE SEALANT BLUE	
2	AG550175	2	BOLT 0.37-16NCX 1.00 G5 ZN HHD	
3	AG550191	6	WASHER 0.37 LK ZN REG	
4	AG550205	4	WASHER 0.31 LK ZN REG	
5	AG550213	4	NUT 0.31-18NC HEX ZN REG	
6	AG551503	4	BOLT 0.37-16NCX 0.75 G5 ZN HHD	
7	AG561067	4	BOLT 0.31-18NCX 4.50 G5 ZN HHD	
8	509917D1	1	TRACK ADJ BLOCK ASM-FRONT	SEE PAGE 5-18
9	509918D1	1	TRACK ADJ BLOCK ASM-REAR	SEE PAGE 5-22
10	509920D1	1	CASE DRAIN FILTER ASM	SEE PAGE 5-27
11	516008D1	1	RETURN MANIFOLD ASSEMBLY	SEE PAGE 5-7

MANIFOLD-RETURN,2 FILTERS

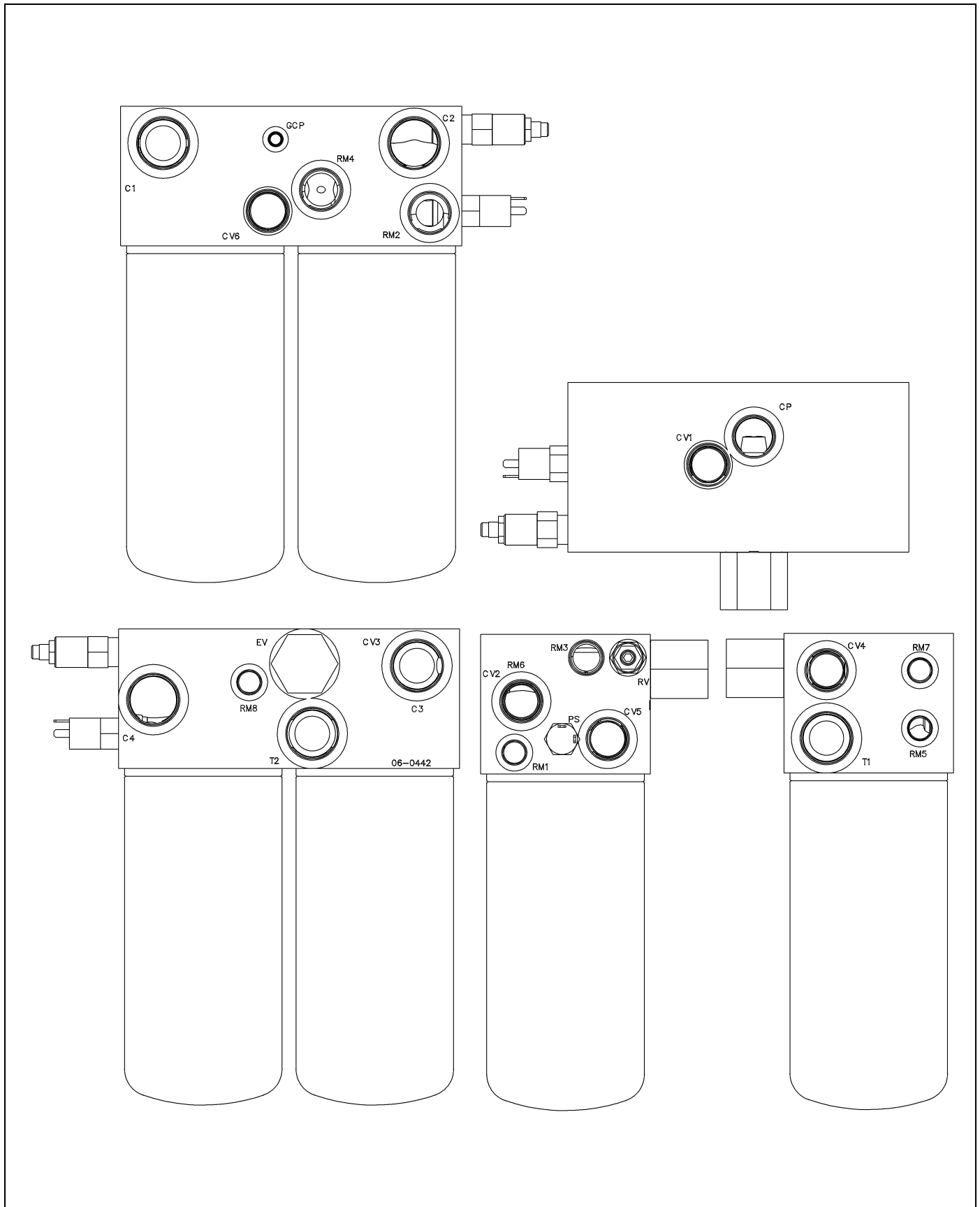


136399-04-R272-.TIF

MANIFOLD-RETURN,2 FILTERS

ITEM	PART #	QTY	DESCRIPTION	COMMENTS
0	AG121390	1	KIT-SEAL,#20 VENTED SPOOL-TYPE	
0	AG122064	1	PLUG-SAE-16 ORB FLUSH	
0	AG122065	1	VALVE-CHECK,FILTER	[A]
0	AG134676	1	VALVE-HYD RELIEF,-08,DIF AREA	
0	AG136393	-	ELEMENT-FILTER,HYD,6 MICRON	
0	508911D1	-	SWITCH-LOW PRESSURE	
0	AG715586	AR	ELEMENT FILTER	
0	AG716811	1	KIT-ORING,ND VALVE(609465)	
0	AG723449	1	CARTRIDGE-HYD RELIEF	SEE PAGE 5-5
0	AG725658	-	ORIFICE-DISC-NONTHREADED	
	FOOTNOTE [A]		FILTER CHECK VALVE FOR CAVITY RM6 AND RM13	

MANIFOLD-RETURN,DUAL COOLER

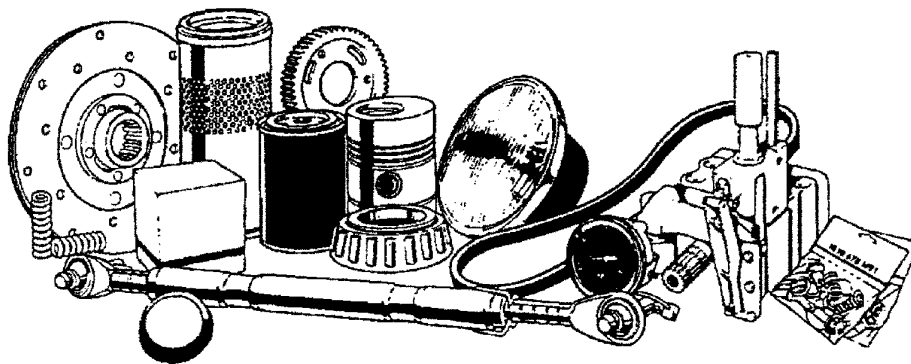


516007D1-02-R272-.TIF

MANIFOLD-RETURN,DUAL COOLER

ITEM	PART #	QTY	DESCRIPTION	COMMENTS
0	AG122065	-	VALVE-CHECK,FILTER	[A]
0	AG134676	-	VALVE-HYD RELIEF,-08,DIF AREA	
0	AG136393	2	ELEMENT-FILTER,HYD,6 MICRON	
0	508911D1	-	SWITCH-LOW PRESSURE	
0	516018D1	-	BYPASS CHECK 50 PSI	
0	516019D1	-	BYPASS CHECK 15 PSI	
0	AG715586	-	ELEMENT FILTER	
0	AG723449	-	CARTRIDGE-HYD RELIEF	SEE PAGE 5-5
0	AG725658	-	ORIFICE-DISC-NONTHREADED	
	FOOTNOTE [A]		FILTER CHECK VALVE FOR CAVITY RM6 AND RM13	

**Please refer to the
Bill Of Material
on the opposite page
for related Installations,
Assemblies, or Parts**

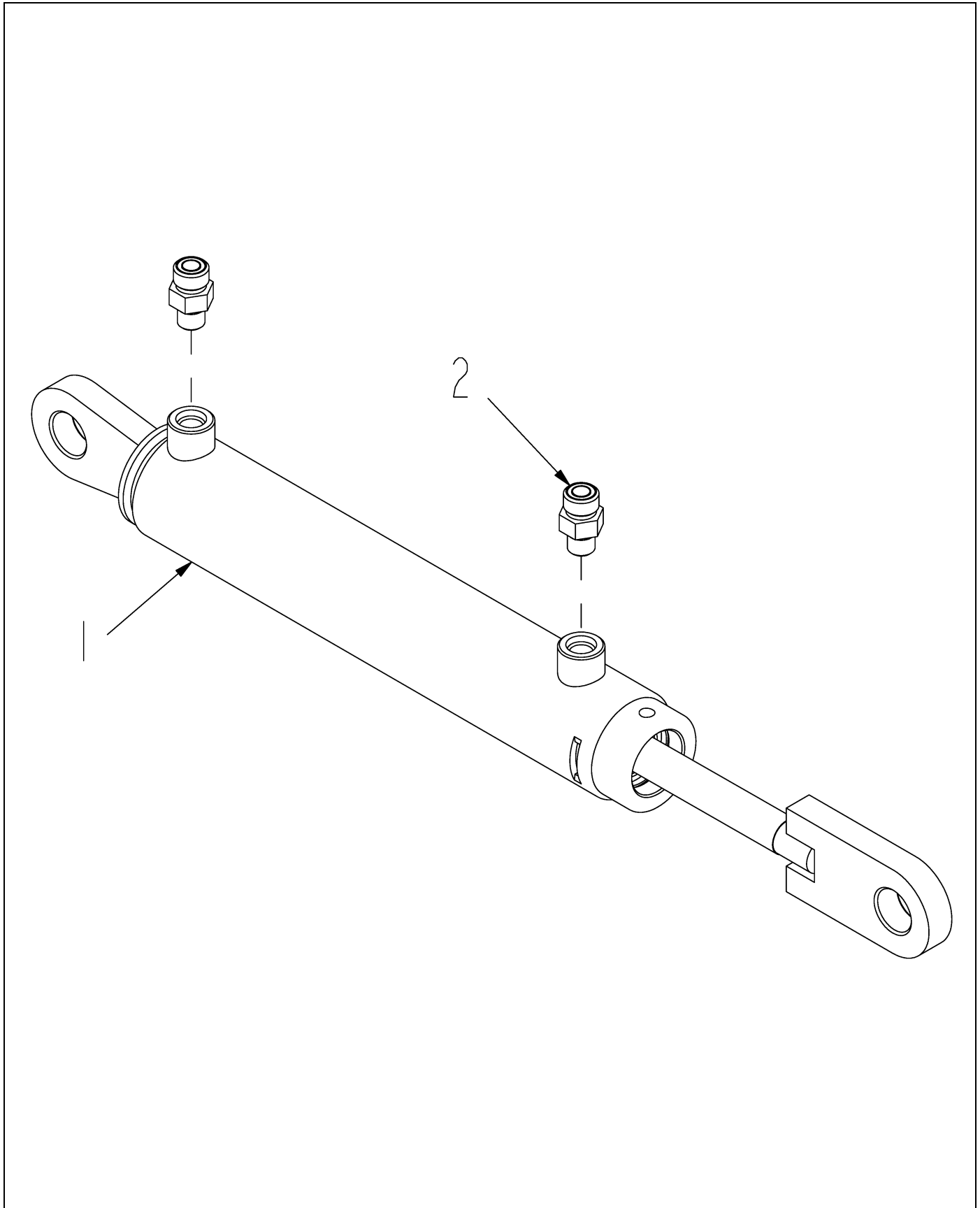


723449.tif

CARTRIDGE-HYD RELIEF

ITEM	PART #	QTY	DESCRIPTION	COMMENTS
0	AG121390 FOOTNOTE	1	KIT-SEAL,#20 VENTED SPOOL-TYPE AG725658 - ORIFICE	

CYLINDER ASM-HYD,LADDER

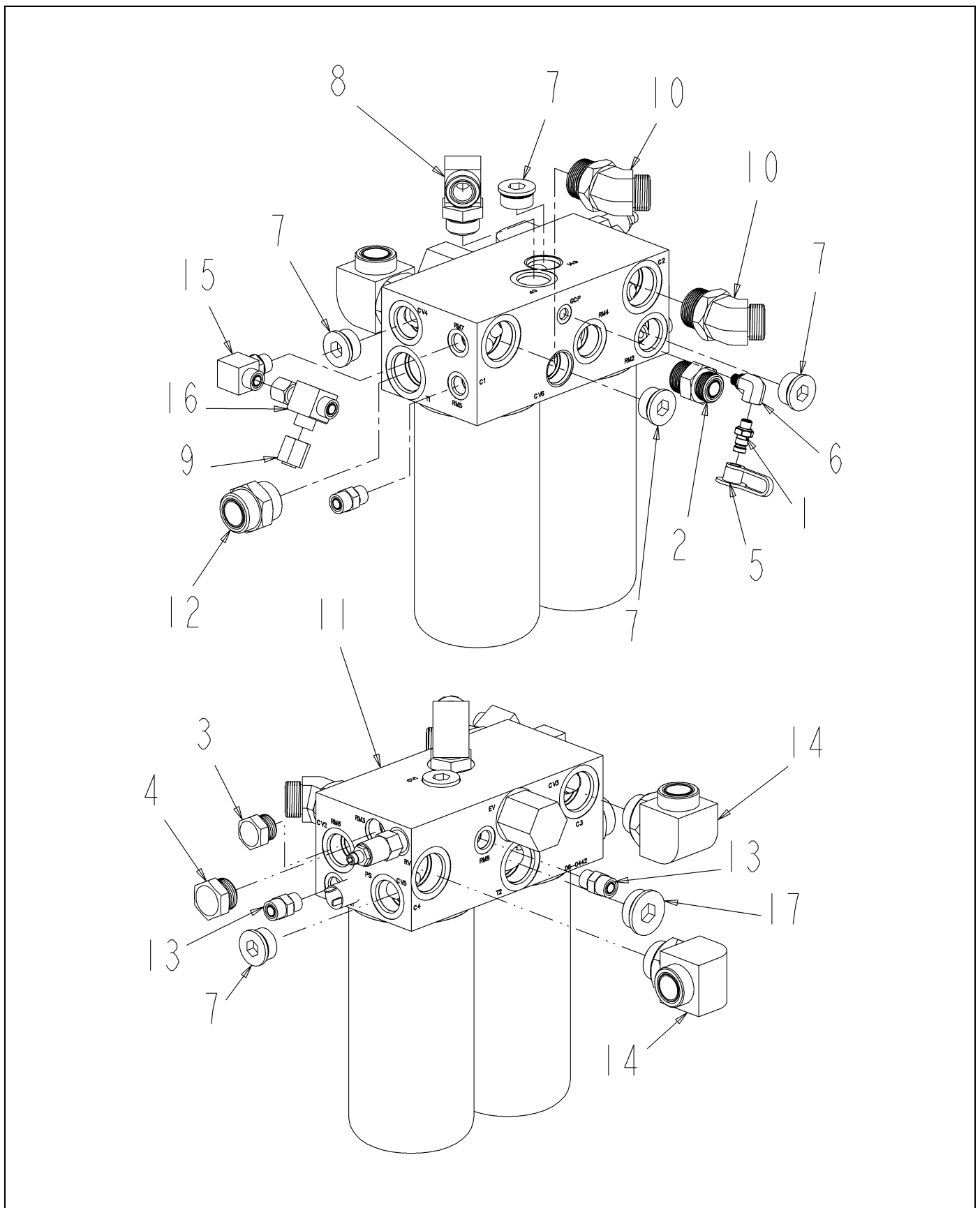


512475D1-01-N308-.TIF

CYLINDER ASM-HYD,LADDER

ITEM	PART #	QTY	DESCRIPTION	COMMENTS
1	AG424994	1	CYLINDER-HYD,1.50X6.50X.63	SEE PAGE 5-9
2	400368X1	2	CONNECTOR AS-STR -4STOR -4ORFS	SEE PAGE 5-8

RETURN MANIFOLD ASSEMBLY

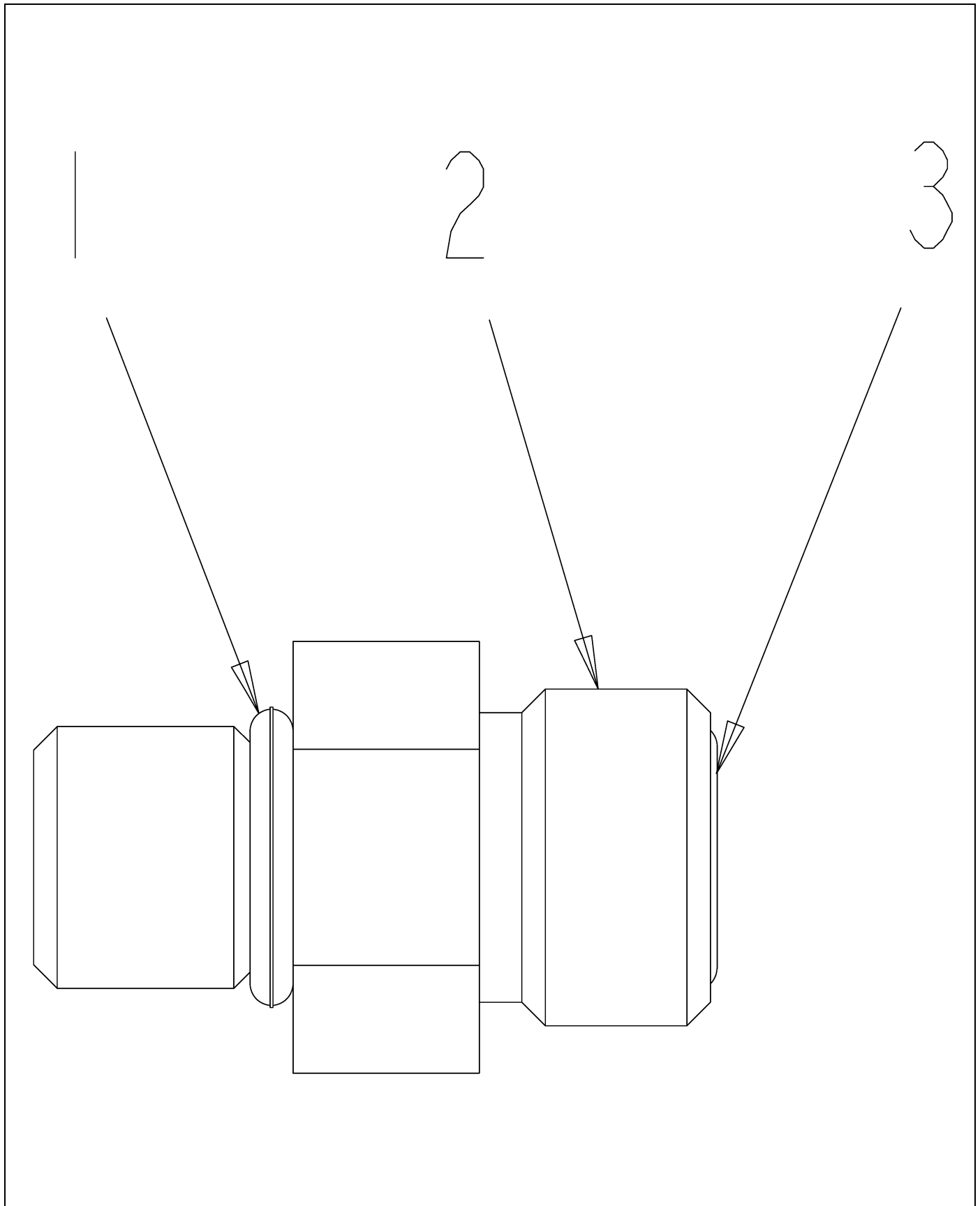


516008D1-03-R204-.TIF

RETURN MANIFOLD ASSEMBLY

ITEM	PART #	QTY	DESCRIPTION	COMMENTS
1	WR32723	1	COUPLING-MPD/-04MB	
2	AG519154	1	ADAPTER -16MB/-12MORFS	[A]
3	AG561879	1	PLUG 0.75MO-R HEX	[B]
4	AG831500	1	PLUG 1.00MO-R HEX	
5	400323X1	1	CAP-DUST 12.6 DIA -RUBBER	
6	400364X1	1	ELBOW AS-4PORT-ORP 90°& ORING	SEE PAGE 5-23
7	400370X1	5	PLUG AS-16 STOR ZN HSHD&ORING	
8	400580X1	1	ELBOW AS-90DEG 16STOR 16ORFS	SEE PAGE 5-24
9	400645X1	1	CAP AS-12.7 OD-8 ORFS	
10	401019X1	2	ELBOW ASM-45D,-20MOR X -16ORFS	SEE PAGE 5-25
11	516007D1	1	MANIFOLD-RETURN,DUAL COOLER	SEE PAGE 5-4
12	CH148-8334	1	CONNECTOR AS-20 ORFS X 20 STOR	SEE PAGE 5-26
13	CH148-8340	3	CONNECTOR AS -8ORFS-8STOR	
14	CH148-8356	2	ELBOW AS-90-20ORFS X 20STOR	
15	CH148-8364	1	ELBOW AS-90D 8STOR-8ORFS	
16	CH148-8444	1	TEE-SWIVEL 3X -8 ORFS	
17	CH183-3902	1	PLUG AS-20STOR	
	FOOTNOTE [A]		O-RING HOSE SIDE AG519377	
	FOOTNOTE [B]		AG562511 O-RING	

CONNECTOR AS-STR -4STOR -4ORFS

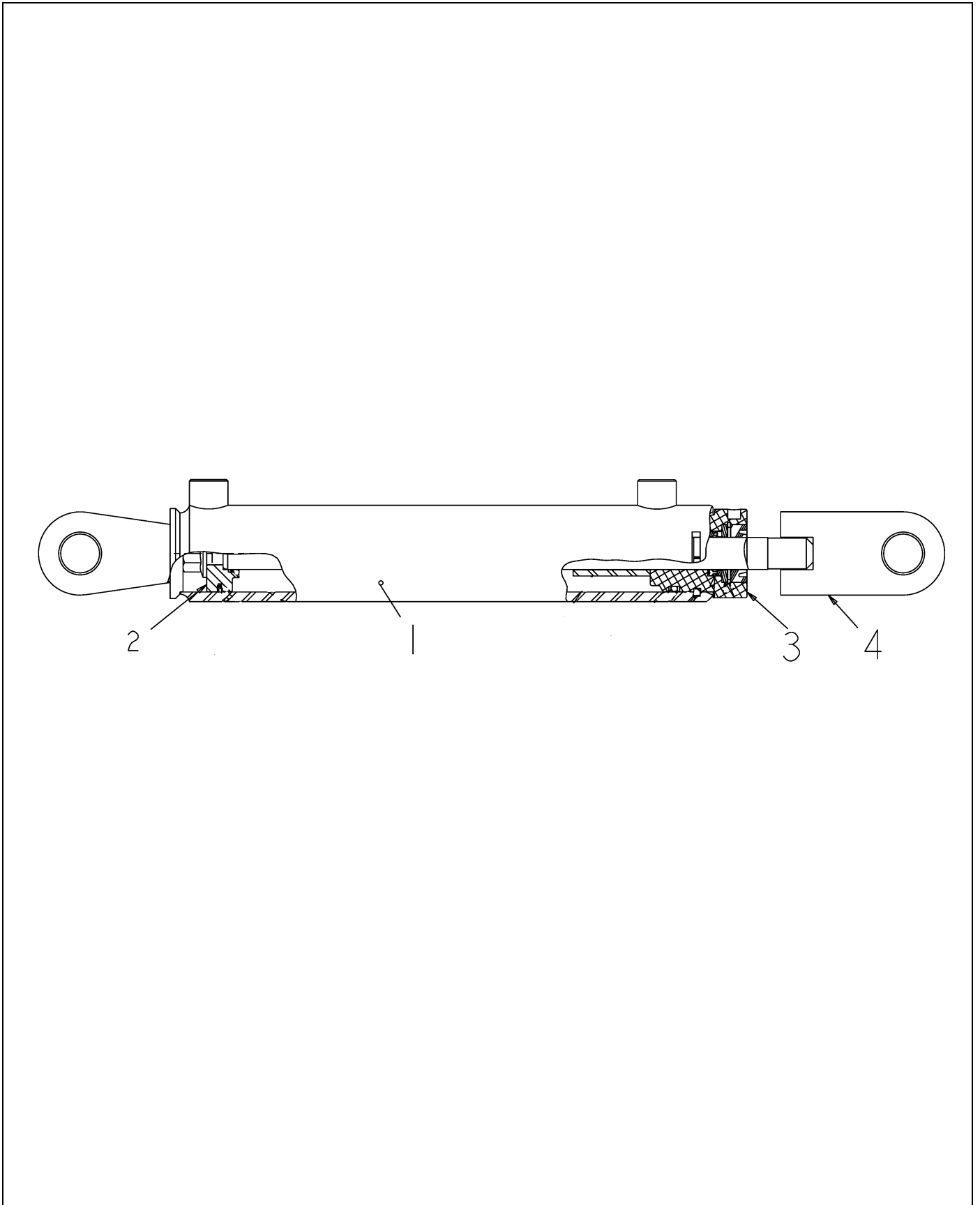


400368X1-01-.TIF

CONNECTOR AS-STR -4STOR -4ORFS

ITEM	PART #	QTY	DESCRIPTION	COMMENTS
1	400361X1	1	SEAL-O-RING 8.92 IDX1.83 DIA	
2	400373X1	1	CONNECTOR-STR -4 STOR -4 ORFS	
3	400377X1	1	SEAL-O-RING 11.23 ODX1.78 DIA	

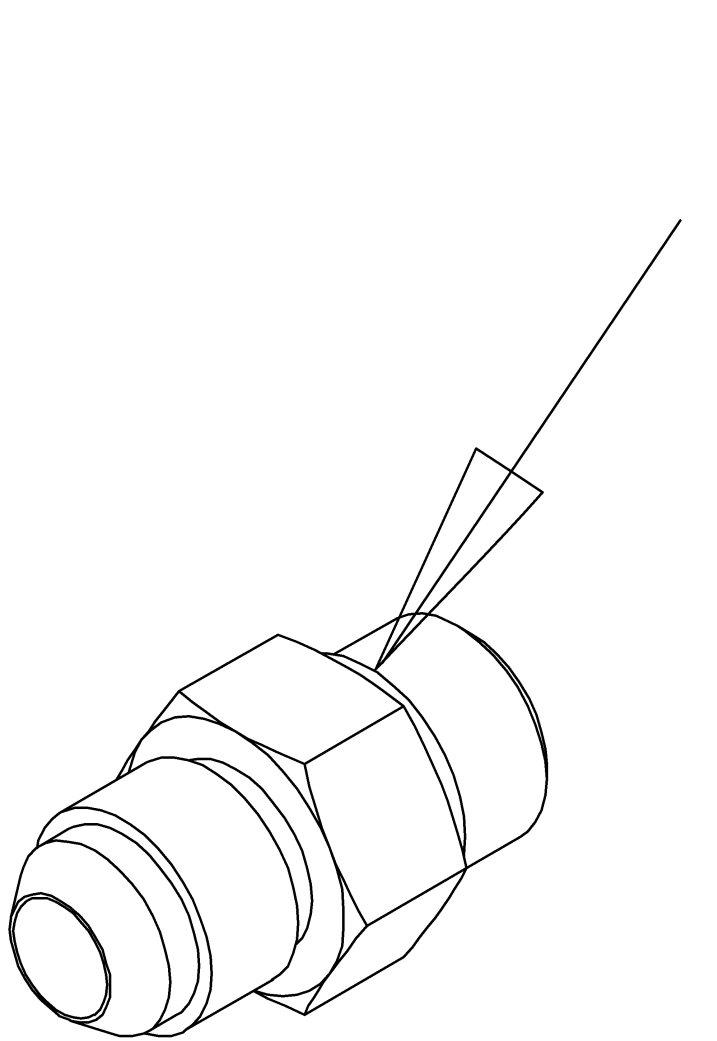
CYLINDER-HYD,1.50X6.50X.63



424994-B.tif

CYLINDER-HYD,1.50X6.50X.63

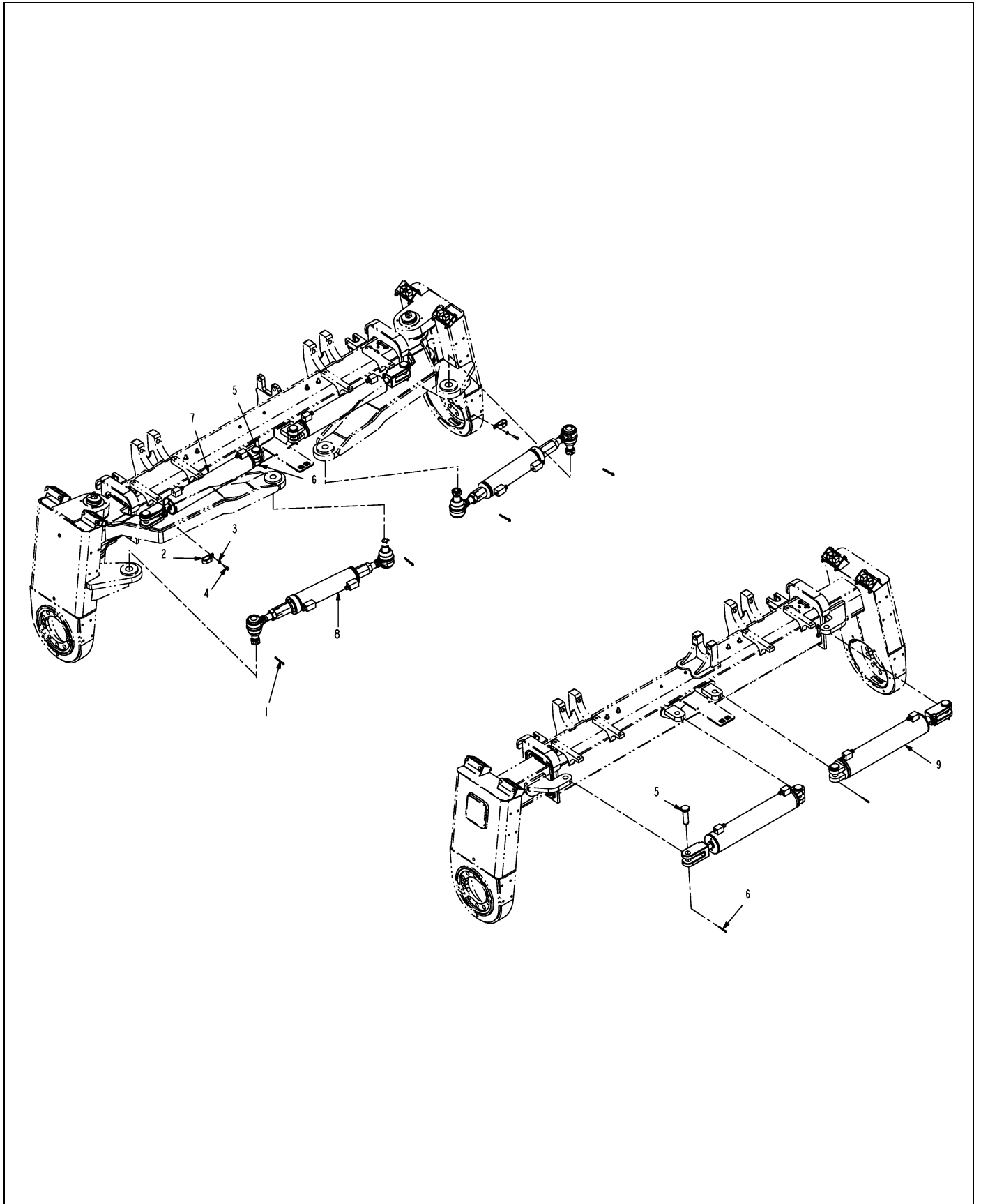
ITEM	PART #	QTY	DESCRIPTION	COMMENTS
1	AG610878	1	KIT-SEAL (424994)	
2	AG126265	1	PISTON	
3	AG126266	1	HEAD GLAND	
4	AG126267	1	ROD WELDMENT	



560693.TIF

ADAP STR 0.37MO-R X 0.37MJIC

ITEM	PART #	QTY	DESCRIPTION	COMMENTS
1	AG139107	1	O-RING,FLARE-O,BUNA	

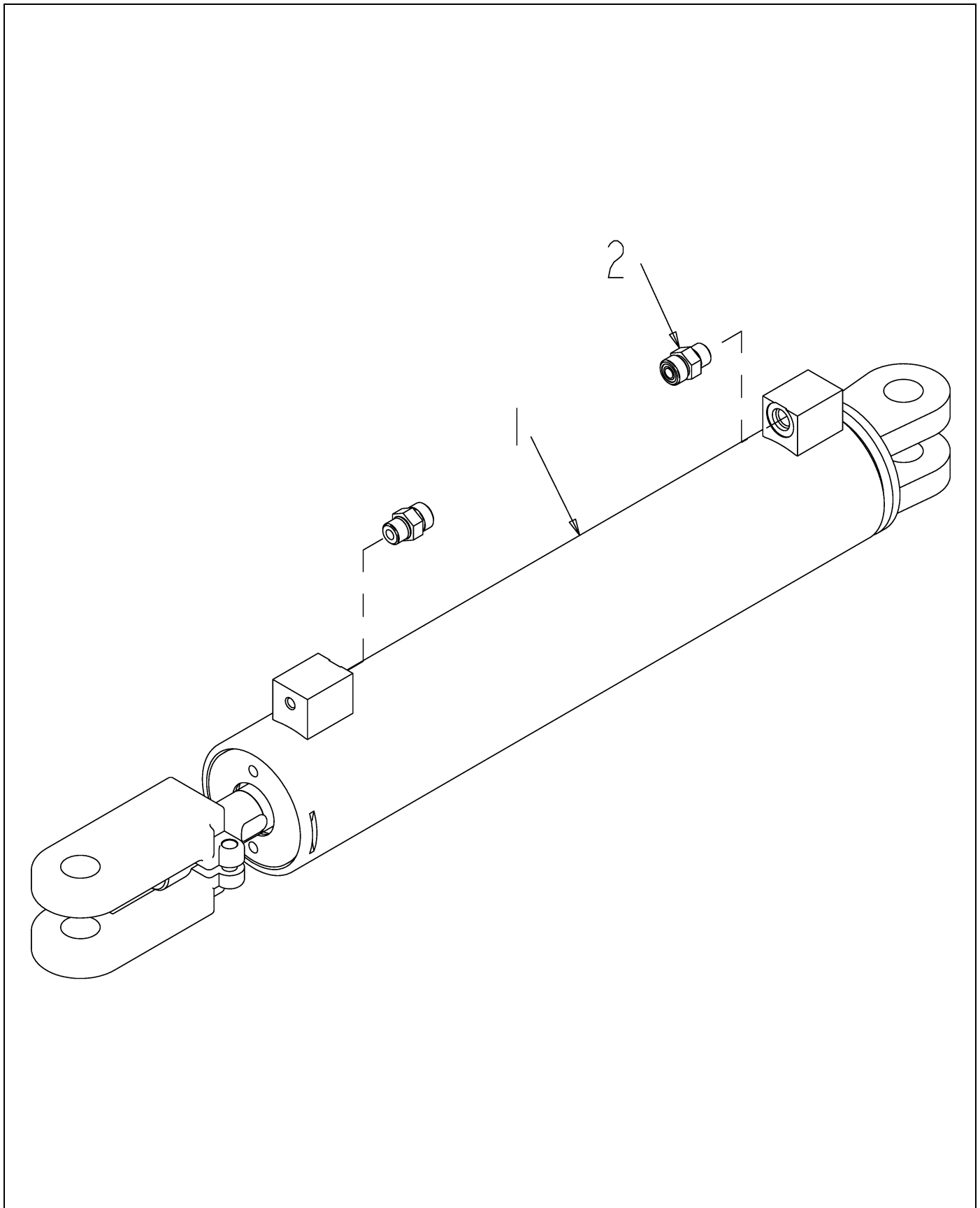


509904D1-01-N308-.TIF

HYD INSTL-CYLINDERS

ITEM	PART #	QTY	DESCRIPTION	COMMENTS
1	AG029339	4	PIN COTTER 0.25X2.25	
2	WR55248	2	CLAMP-SUPPORT CUSHION DBL	
3	AG550205	2	WASHER 0.31 LK ZN REG	
4	AG551252	2	BOLT 0.31-18NCX 1.00 G5 ZN HHD	
5	AG554308	8	PIN CLEVIS 1.00X3.50 ZN	
6	AG559768	8	PIN COTTER 0.18X1.75 ZN	
7	509912D1	2	CYLINDER ASM-TRACK,3.25	SEE PAGE 5-12
8	509914D1	2	CYLINDER ASM-STEERING, FRONT	SEE PAGE 5-14
9	509924D1	2	CYLINDER ASM-TRACK,3.75	SEE PAGE 5-16

CYLINDER ASM-TRACK,3.25

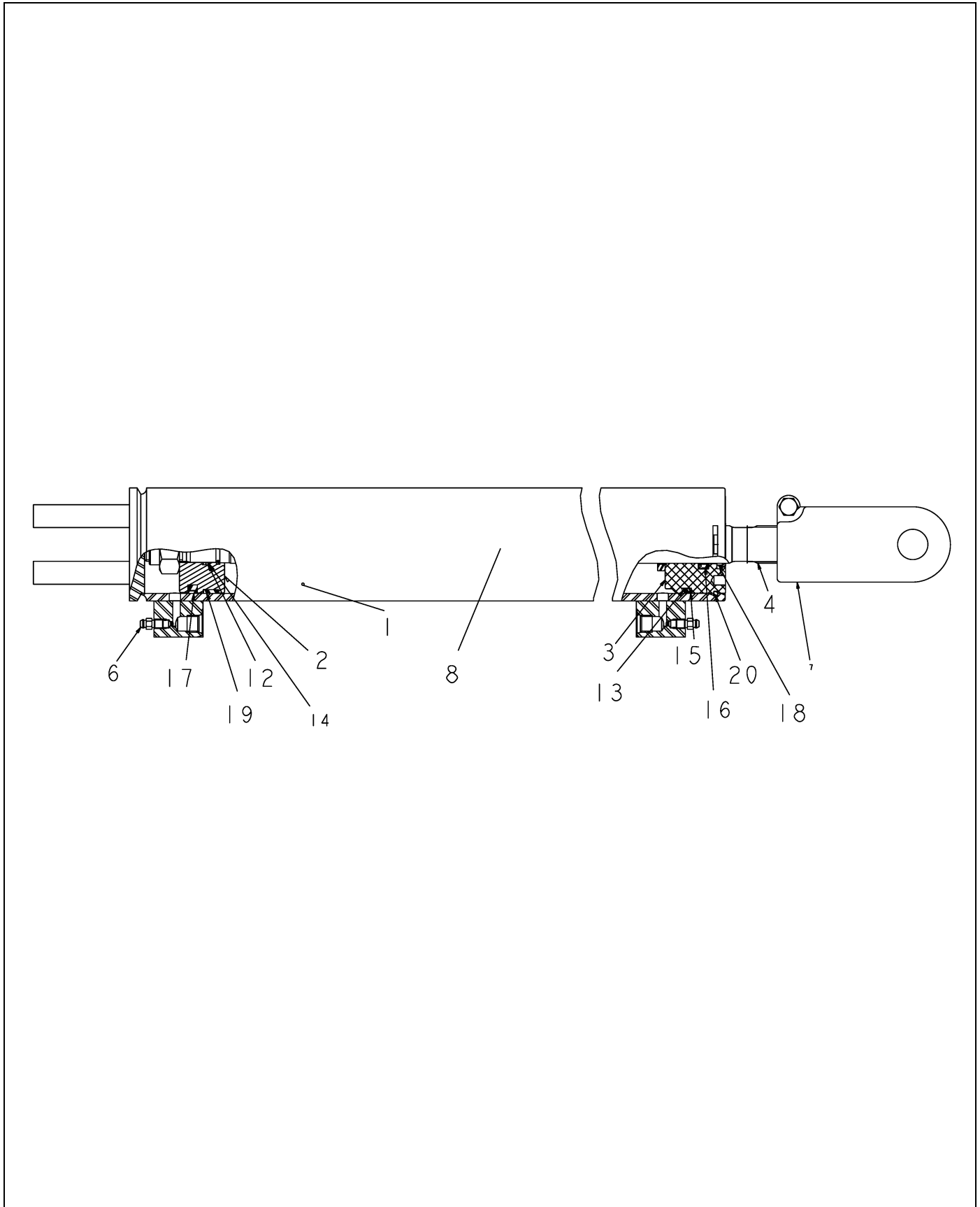


509912D1-01-N308.TIF

CYLINDER ASM-TRACK,3.25

ITEM	PART #	QTY	DESCRIPTION	COMMENTS
1	AG424157	1	CYLINDER-HYD,3.25X16.00X1.25	SEE PAGE 5-13
2	400638X1	2	CONNECTOR AS-STR-6 R/B400367X1	

CYLINDER-HYD,3.25X16.00X1.25

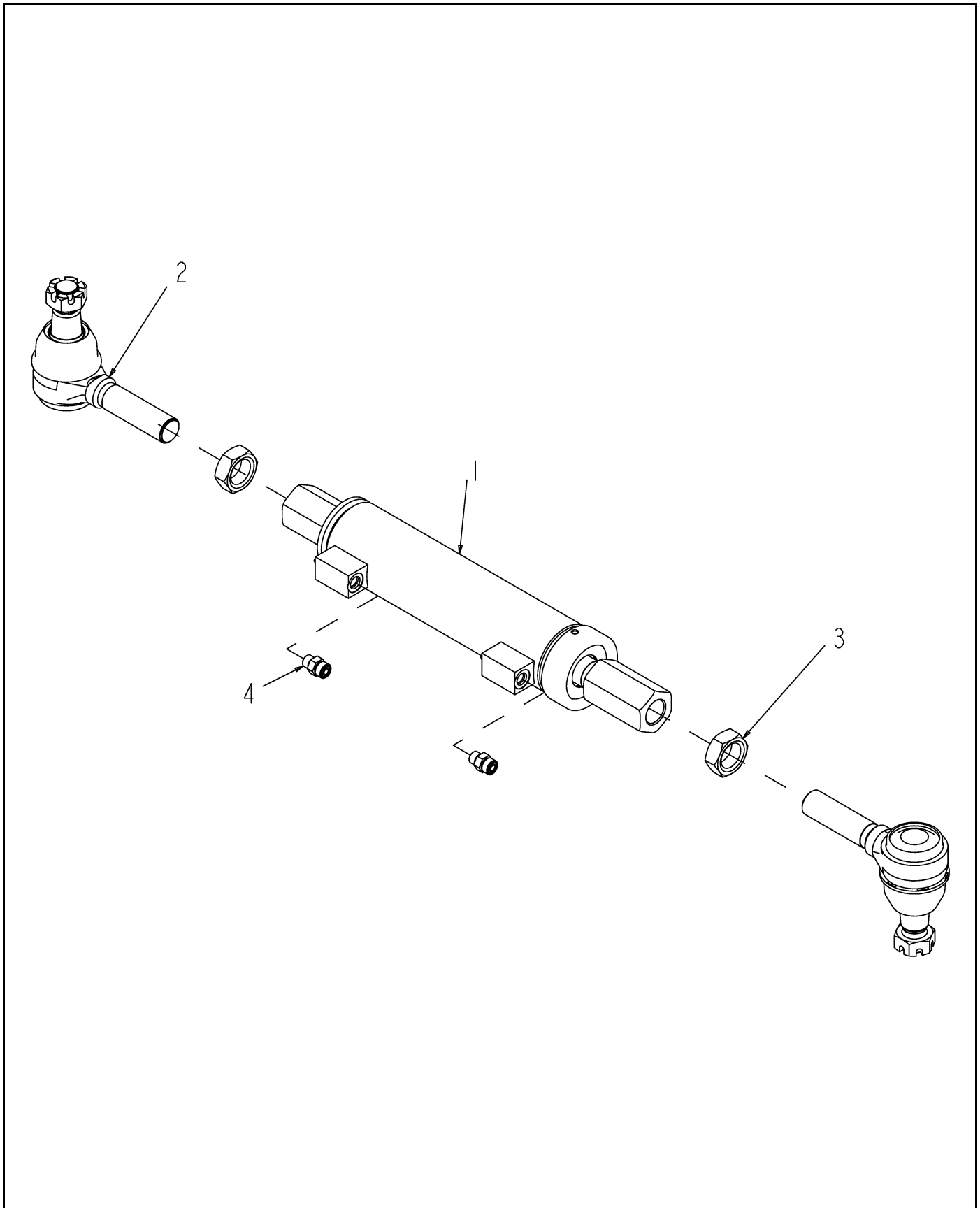


424157-K.TIF

CYLINDER-HYD,3.25X16.00X1.25

ITEM	PART #	QTY	DESCRIPTION	COMMENTS
0	AG121578	1	KIT-SEAL CYLINDER 424157	
1	AG126268	1	TUBE WELDMENT	
2	AG126269	1	PISTON	
3	AG126270	1	HEAD GLAND	
4	AG126271	1	CYLINDER ROD	
5	AG238257	1	CLEVIS-CYLINDER	
6	AG129928	2	SCREW/BLEEDER	
7	AG712925	1	ROD WIPER 15453	
8	AG138413	1	KIT/SEAL	[A]
	FOOTNOTE [A]		ITEMS 12 - 20 CANNOT BE PURCHASED INDIVIDUALLY BUT ARE INCLUDED IN SEAL KIT	

CYLINDER ASM-STEERING, FRONT

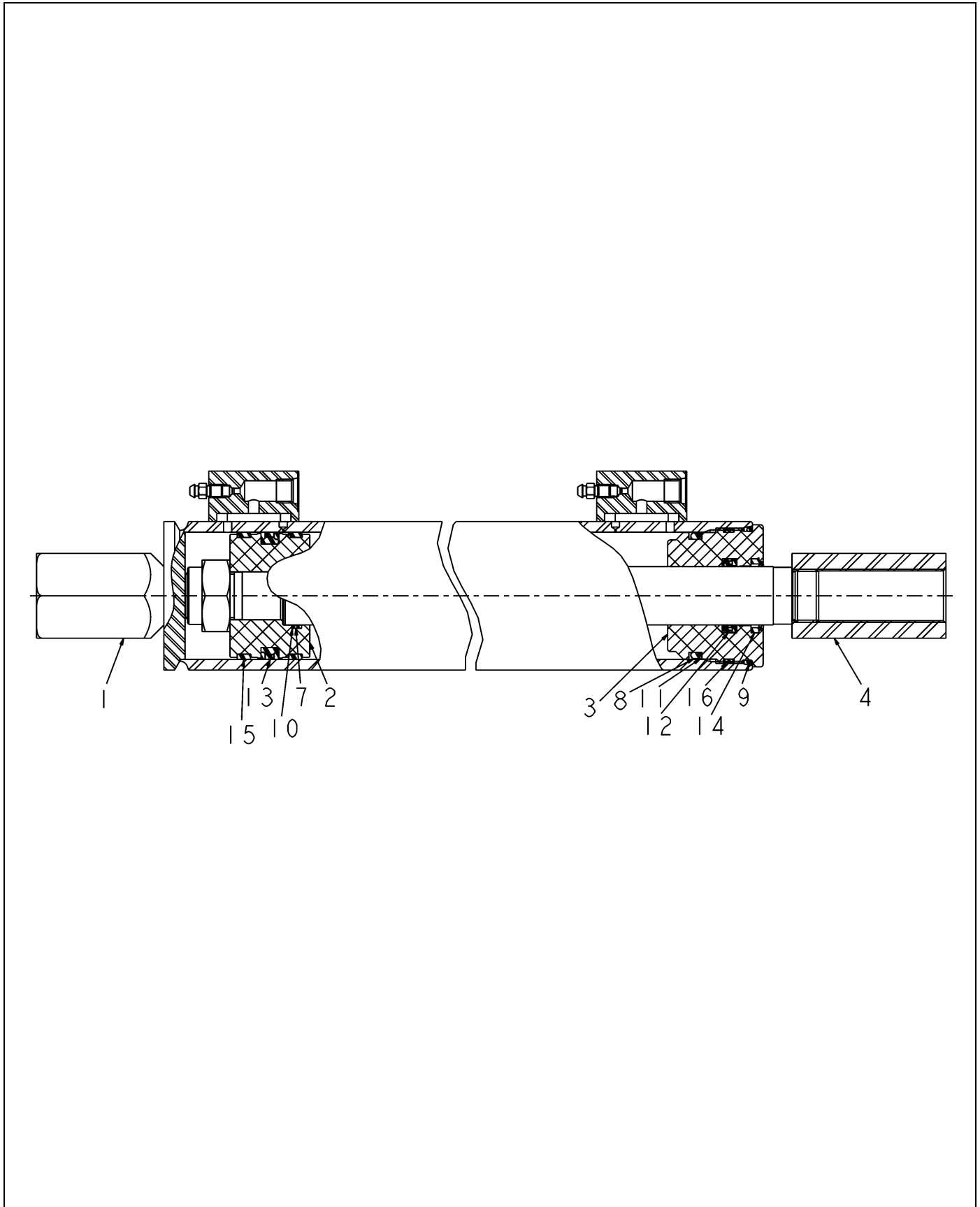


509914D1-01-N308-.TIF

CYLINDER ASM-STEERING, FRONT

ITEM	PART #	QTY	DESCRIPTION	COMMENTS
1	AG122772	1	CYLINDER-HYD,3.00X10.00X1.38	SEE PAGE 5-15
2	AG523559	2	JOINT-BALL,42K YIELD	
3	AG561828	2	NUT 1.25-12NF HEX ZN JAM G5	
4	400638X1	2	CONNECTOR AS-STR-6 R/B400367X1	

CYLINDER-HYD,3.00X10.00X1.38

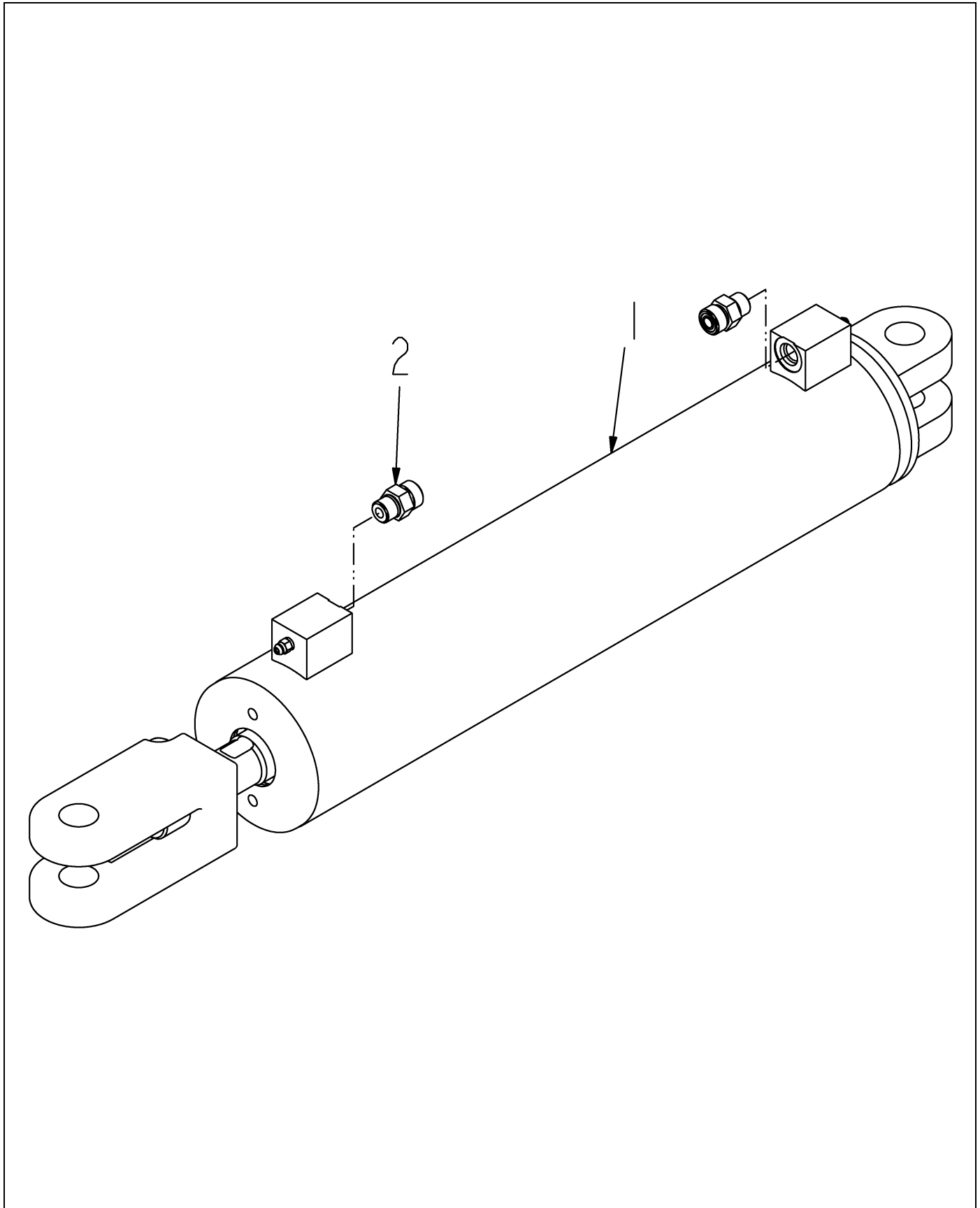


122772.TIF

CYLINDER-HYD,3.00X10.00X1.38

ITEM	PART #	QTY	DESCRIPTION	COMMENTS
0	AG121380	-	KIT-SEAL,CYLINDER 424621/623	[A]
1	AG126261	1	TUBE WELDMENT	
2	AG126259	1	PISTON	
3	AG126262	1	HEAD GLAND	
4	AG126263	1	ROD WELDMENT	
	FOOTNOTE [A]		SEAL KIT CONTAINS ITEMS 7-16	

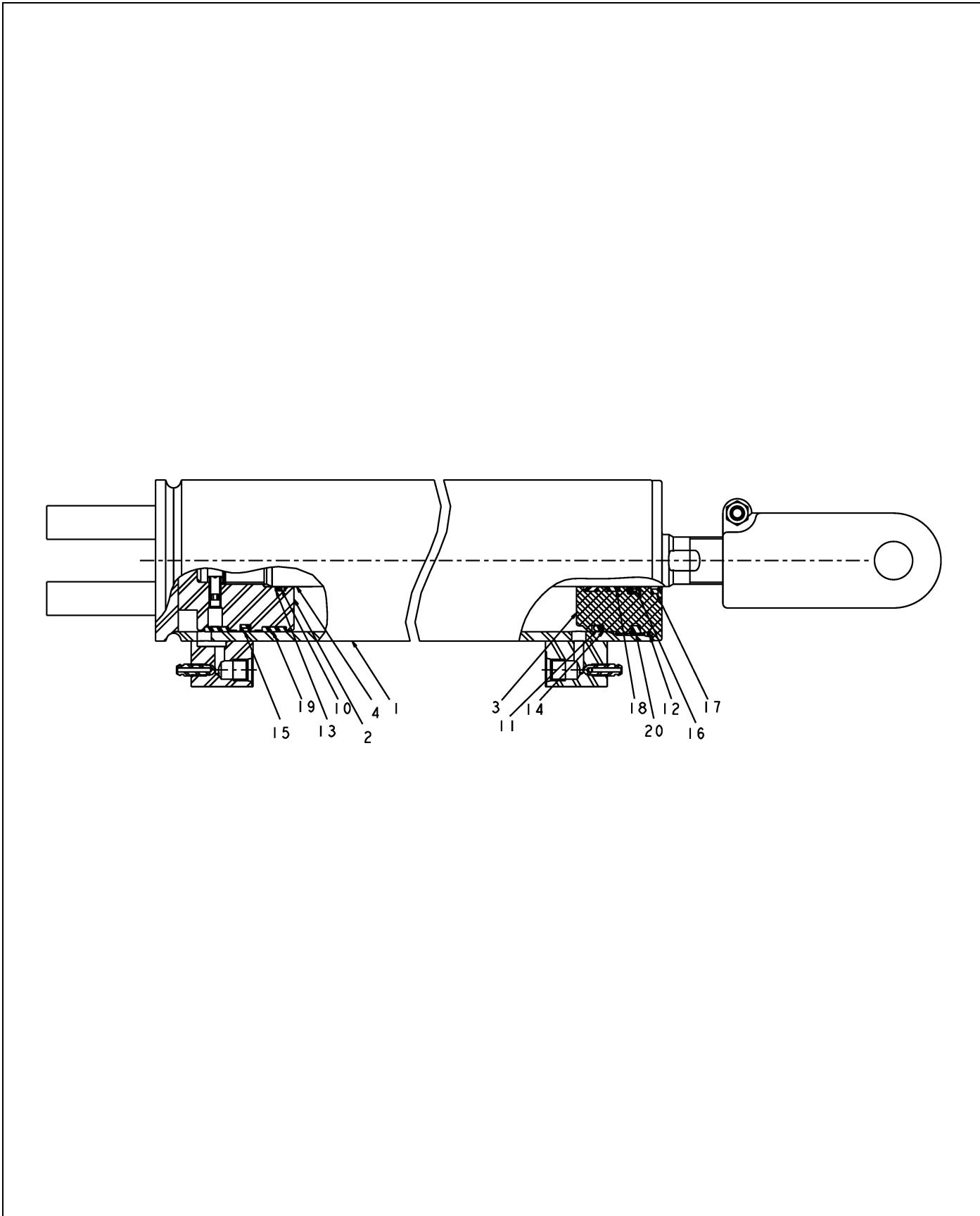
CYLINDER ASM-TRACK,3.75



509924D1-01-N308-.TIF

CYLINDER ASM-TRACK,3.75

ITEM	PART #	QTY	DESCRIPTION	COMMENTS
1	AG125223	1	CYLINDER-HYD,3.75X16.00X1.375	SEE PAGE 5-17
2	400638X1	2	CONNECTOR AS-STR-6 R/B400367X1	

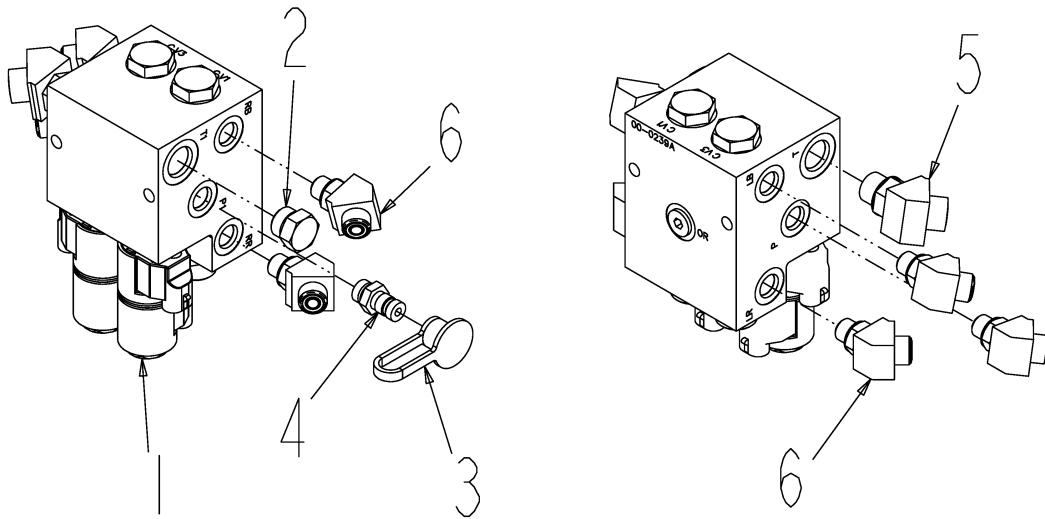


125223.TIF

CYLINDER-HYD,3.75X16.00X1.375

ITEM	PART #	QTY	DESCRIPTION	COMMENTS
0	AG125224	-	KIT-SEAL,HYD CYLINDER(125223)	
1	AG126254	1	TUBE WELDMENT	
2	AG126255	1	PISTON	
3	AG126256	1	HEAD GLAND	
4	AG126257	1	CYLINDER ROD	
	FOOTNOTE		ITEMS 10 - 20 CANNOT BE PURCHASED INDIVIDUALLY BUT ARE INCLUDED IN SEAL KIT	

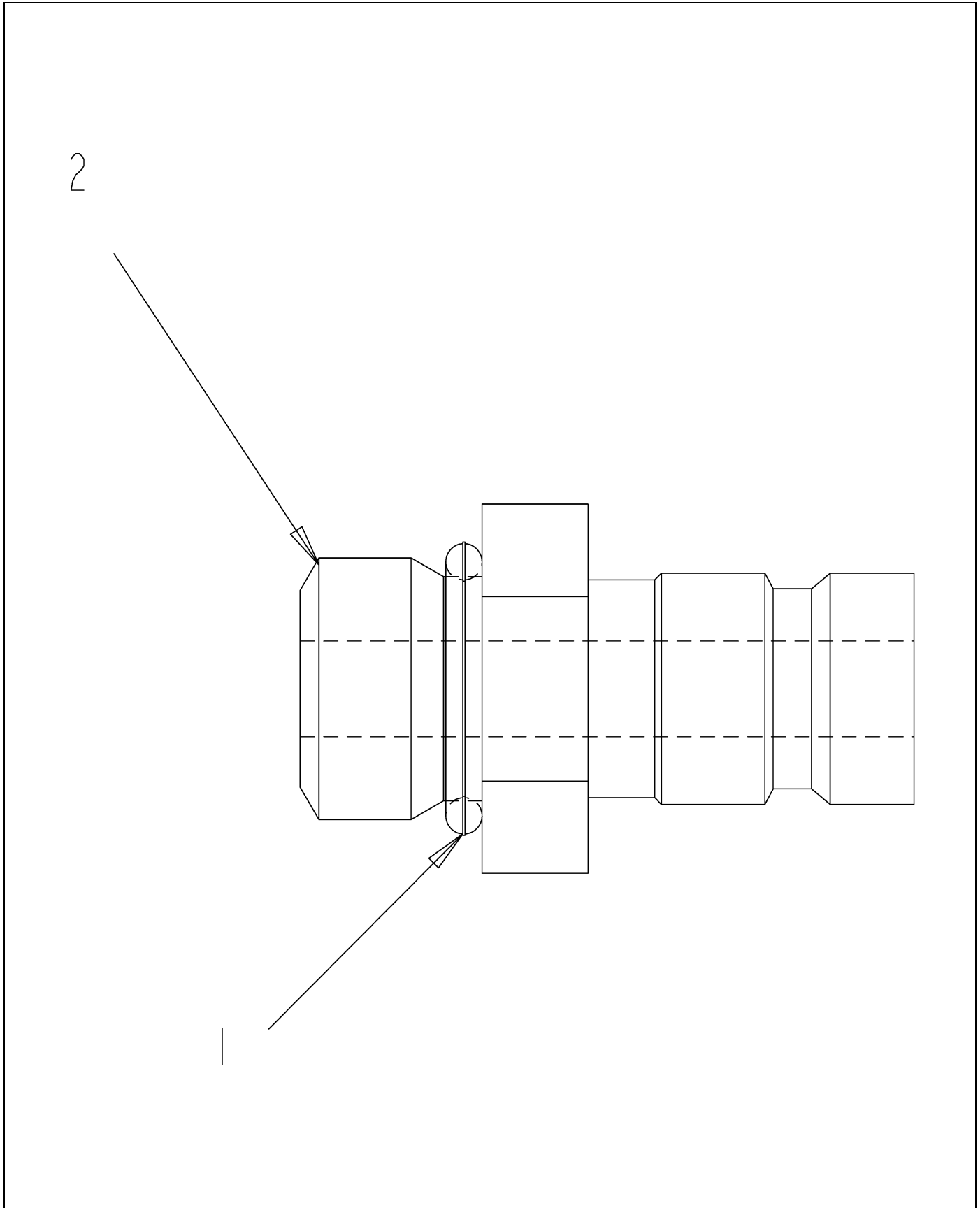
TRACK ADJ BLOCK ASM-FRONT



509917D1-01-N308-.TIF

TRACK ADJ BLOCK ASM-FRONT

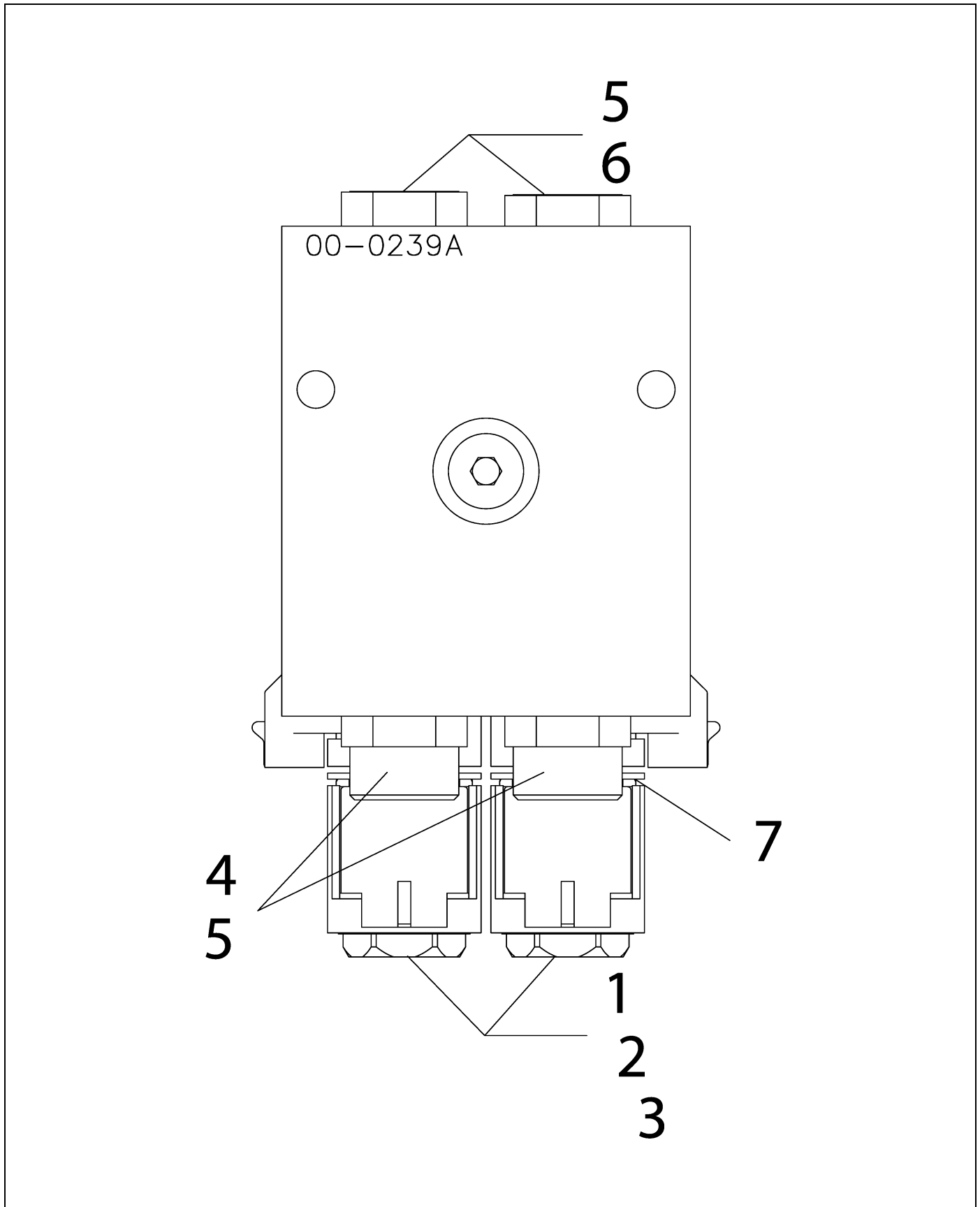
ITEM	PART #	QTY	DESCRIPTION	COMMENTS
1	AG327663	1	BLOCK-HYD,TRACK ADJUST	SEE PAGE 5-20
2	AG560899	1	PLUG 0.50MO-R HEX	
3	400323X1	1	CAP-DUST 12.6 DIA -RUBBER	
4	400324X1	1	NIPPLE ASM-TEST,PD,-6 STOR	SEE PAGE 5-19
5	400981X1	1	ELBOW AS-45 -8STOR-8ORFS	SEE PAGE 5-21
6	CH148-8353	5	ELBOW AS-45° 6STOR X 6ORFS	



400324X1-02-N960-.TIF

NIPPLE ASM-TEST,PD,-6 STOR

ITEM	PART #	QTY	DESCRIPTION	COMMENTS
1	400318X1	1	SEAL-O-RING 11.89IDXDIA1.98	
2	400325X1	1	NIPPLE-TEST,PD,-6 STOR	

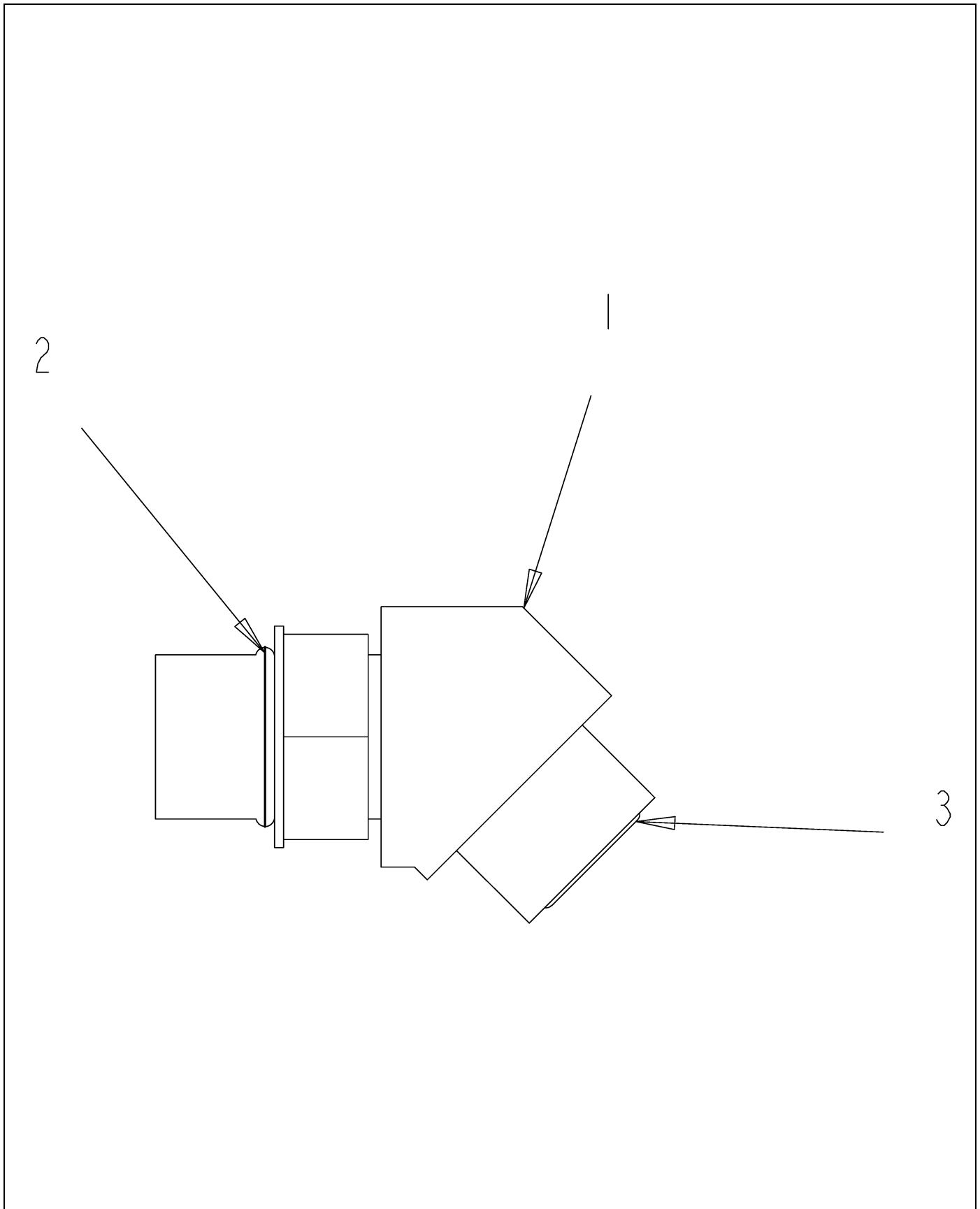


327663-B.TIF

BLOCK-HYD,TRACK ADJUST

ITEM	PART #	QTY	DESCRIPTION	COMMENTS
1	AG727147	2	VALVE/SOLENOID	
2	AG716814	2	KIT-ORING,SPOOL VIV,4W(609463)	
3	AG121483	4	COIL-E,12VDC DEUTCH W/DIODE,08	
4	AG715571	2	CHECK VALVE	
5	AG716810	4	KIT-ORING,RELIEF VALVE(609464)	
6	AG715570	2	CHECK VALVE	
7	AG121485	2	SPACER-E COIL,10	

ELBOW AS-45 -8STOR-8ORFS

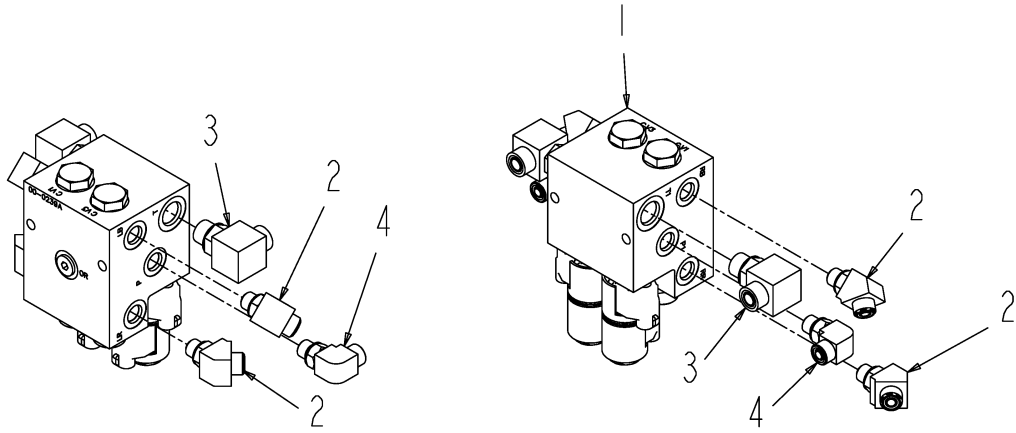


400981X1-01-K835-.TIF

ELBOW AS-45 -8STOR-8ORFS

ITEM	PART #	QTY	DESCRIPTION	COMMENTS
1	400980X1	1	ELBOW-45 -8STOR-8ORFS	
2	CH3K-0360	1	SEAL-O-RING 16.36IDX2.21DIA	
3	CH6V-8398	1	SEAL-O-RING-16.03ODX1.78DIA	

TRACK ADJ BLOCK ASM-REAR

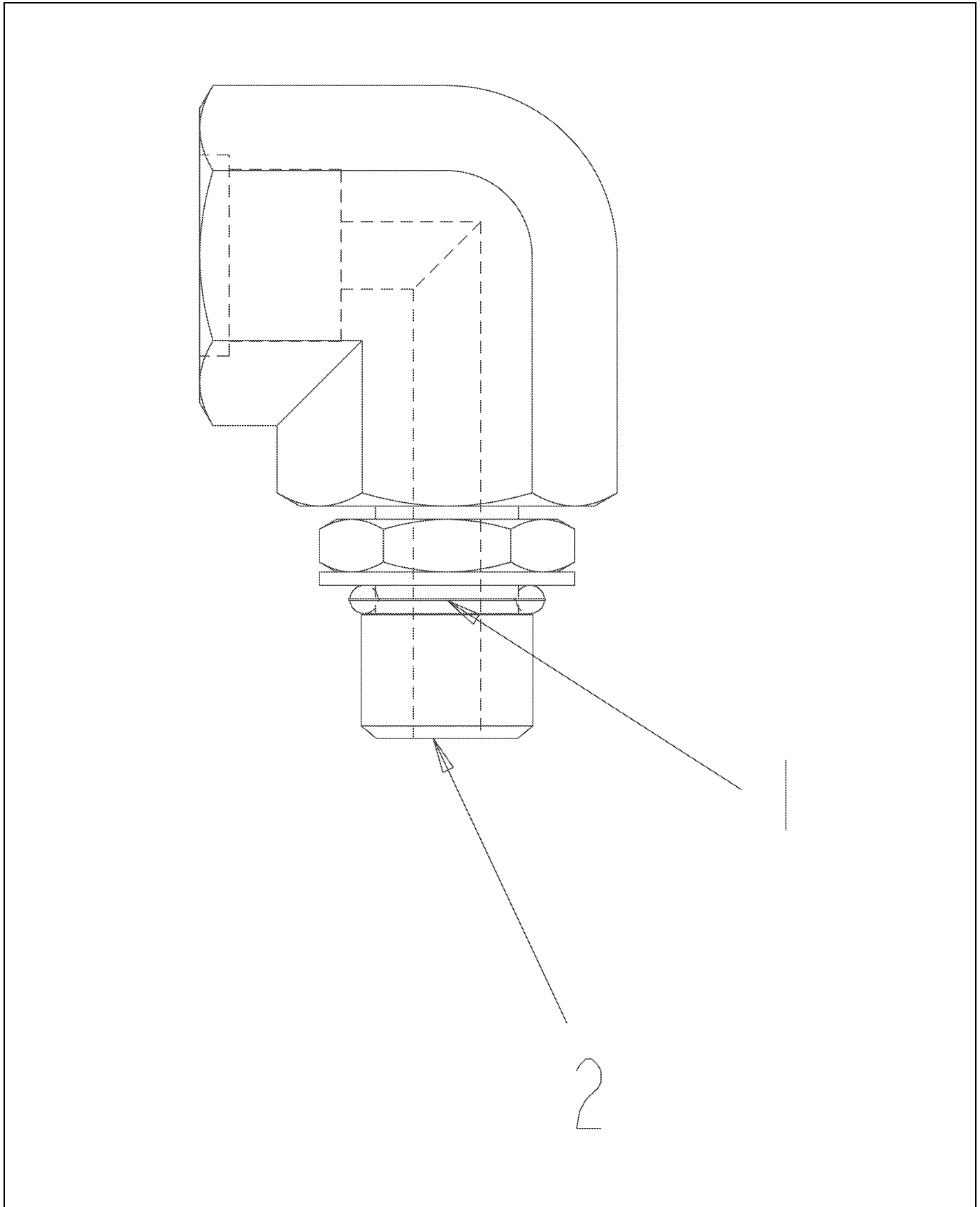


509918D1-01-N308-.TIF

TRACK ADJ BLOCK ASM-REAR

ITEM	PART #	QTY	DESCRIPTION	COMMENTS
1	AG327663	4	BLOCK-HYD,TRACK ADJUST	SEE PAGE 5-20
2	CH148-8353	4	ELBOW AS-45° 6STOR X 6ORFS	
3	CH148-8364	2	ELBOW AS-90D 8STOR-8ORFS	
4	CH148-8378	2	ELBOW AS-90-6STOR X 6ORFS	

ELBOW AS-4PORT-ORFS 90 DEGREE ORING

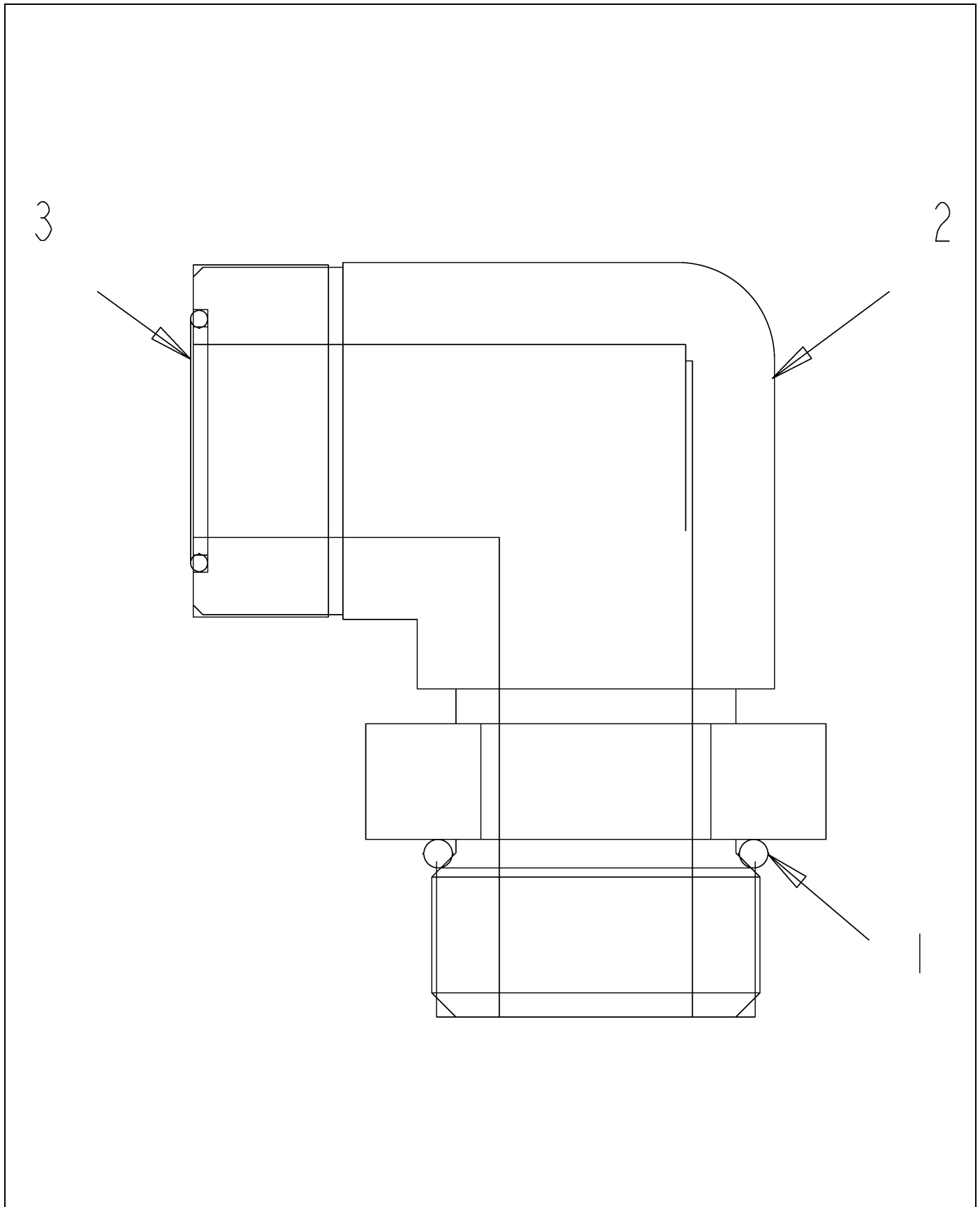


400364X1-02-R204-.TIF

ELBOW AS-4PORT-ORFS 90 DEGREE ORING

ITEM	PART #	QTY	DESCRIPTION	COMMENTS
1	400361X1	1	SEAL-O-RING 8.92 IDX1.83 DIA	
2	400371X1	1	ELBOW-4PORT-ORP 90°	

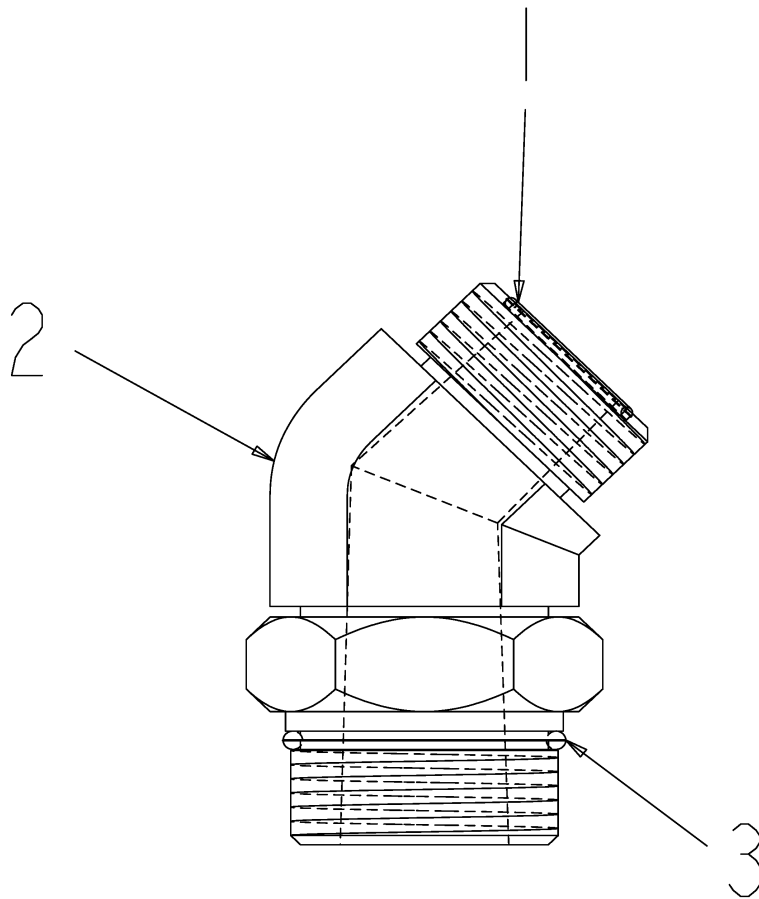
ELBOW AS-90DEG 16STOR 16ORFS



400580X1-01-01.TIF

ELBOW AS-90DEG 16STOR 16ORFS

ITEM	PART #	QTY	DESCRIPTION	COMMENTS
1	400376X1	1	SEAL-O-RING 29.74 IDX2.95 DIA	
2	400581X1	1	ELBOW-90DEG 16STOR 16RFS	
3	400123X1	1	SEAL-O RING-27.22ODX1.78 DIA	

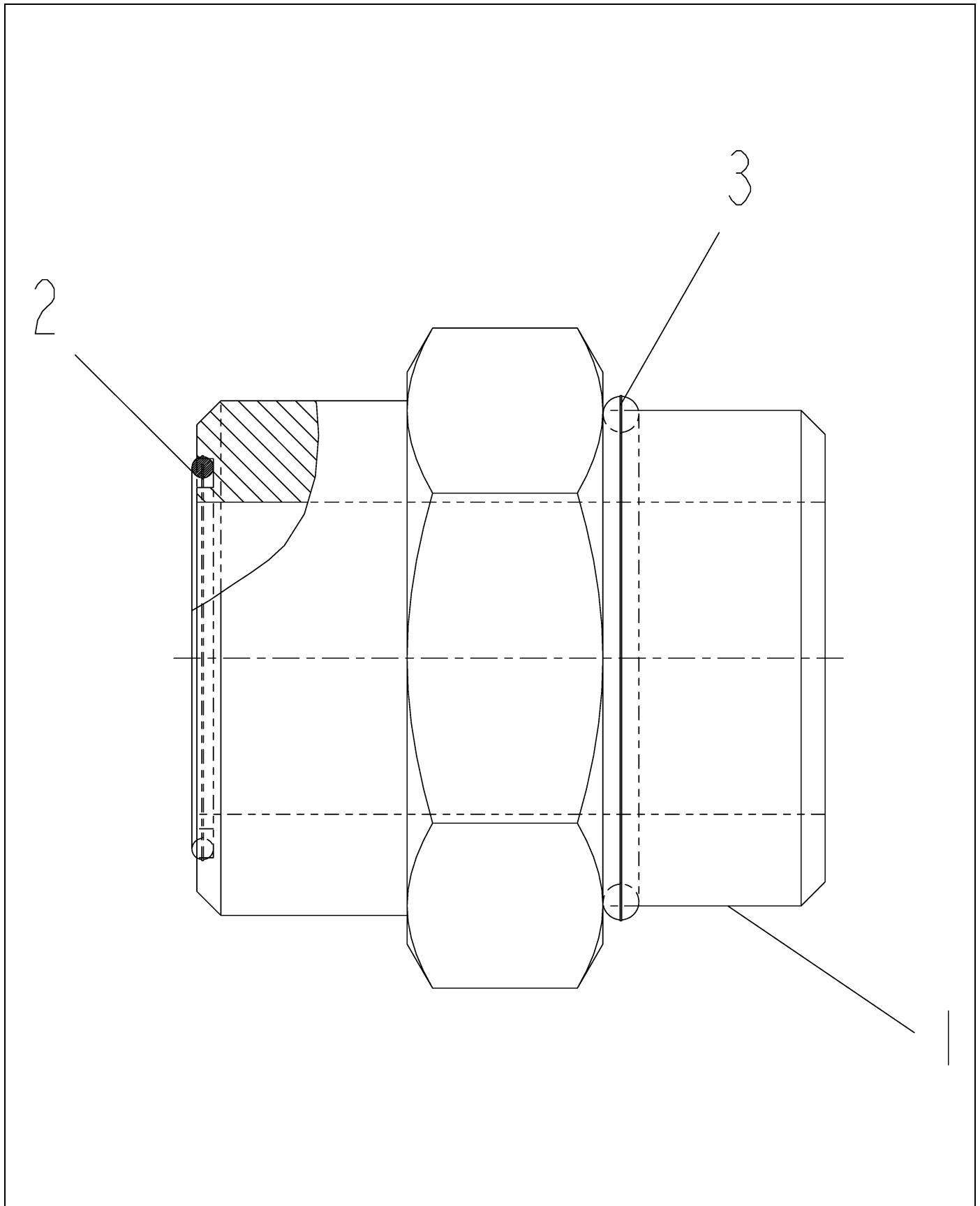


401019X1-01-M718-.TIF

ELBOW ASM-45D,-20MOR X -160RFS

ITEM	PART #	QTY	DESCRIPTION	COMMENTS
1	400123X1	1	SEAL-O RING-27.22ODX1.78 DIA	
2	401018X1	1	ELBOW-45D,-20MOR X -160RFS	
3	CH2S-4078	1	SEAL-O-RING 37.46IDX3DIA	

CONNECTOR AS-20 ORFS X 20 STOR

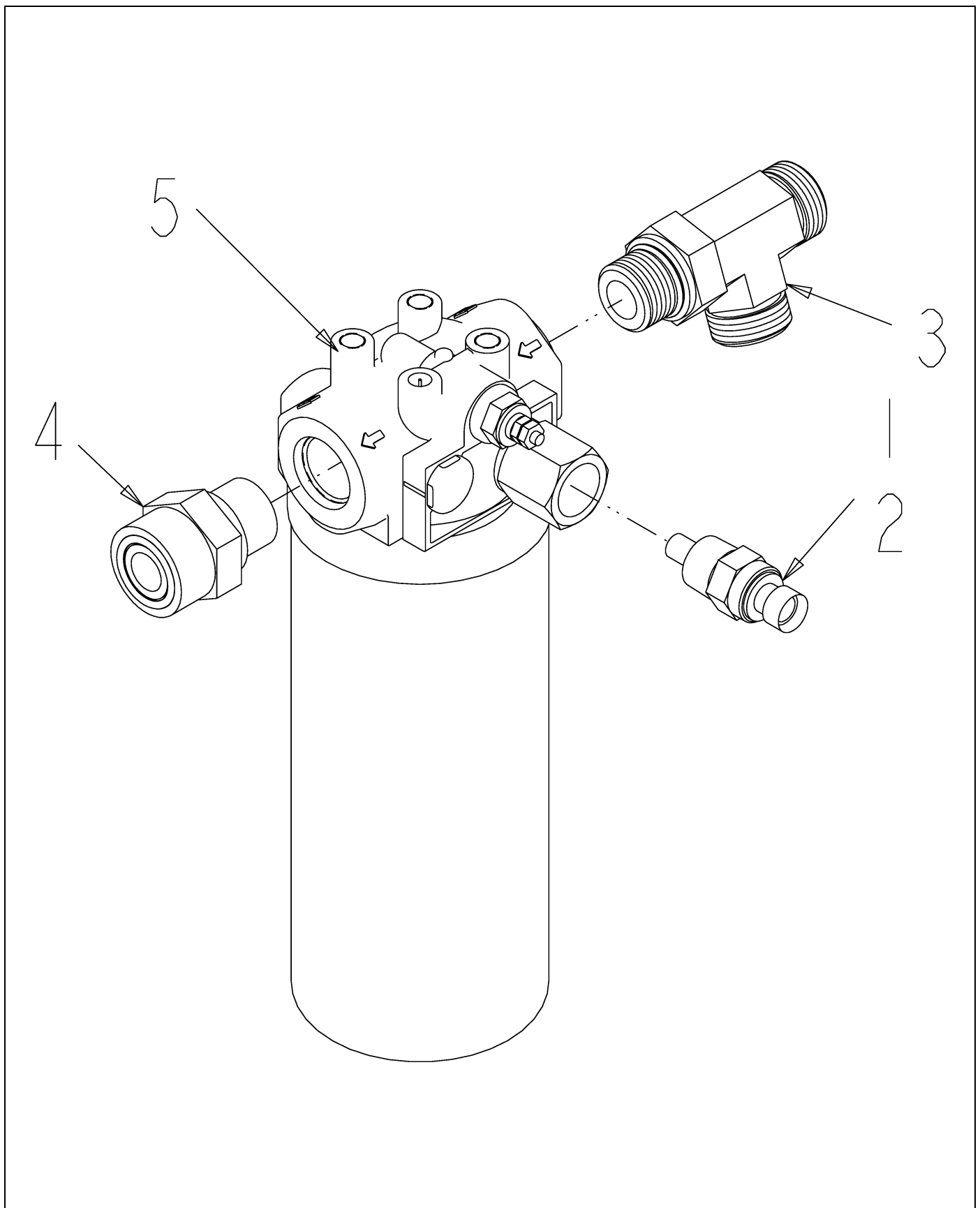


CH148-8334-01--.TIF

CONNECTOR AS-20 ORFS X 20 STOR

ITEM	PART #	QTY	DESCRIPTION	COMMENTS
1	CH8T-3611	1	CONNECTOR-20ORFSX-20STOR	
2	400365X1	1	SEAL-O-RING 33.57 ODX1.78 DIA	
3	400593X1	1	SEAL-O-RING 37.46 IDX3 DIA	

CASE DRAIN FILTER ASM

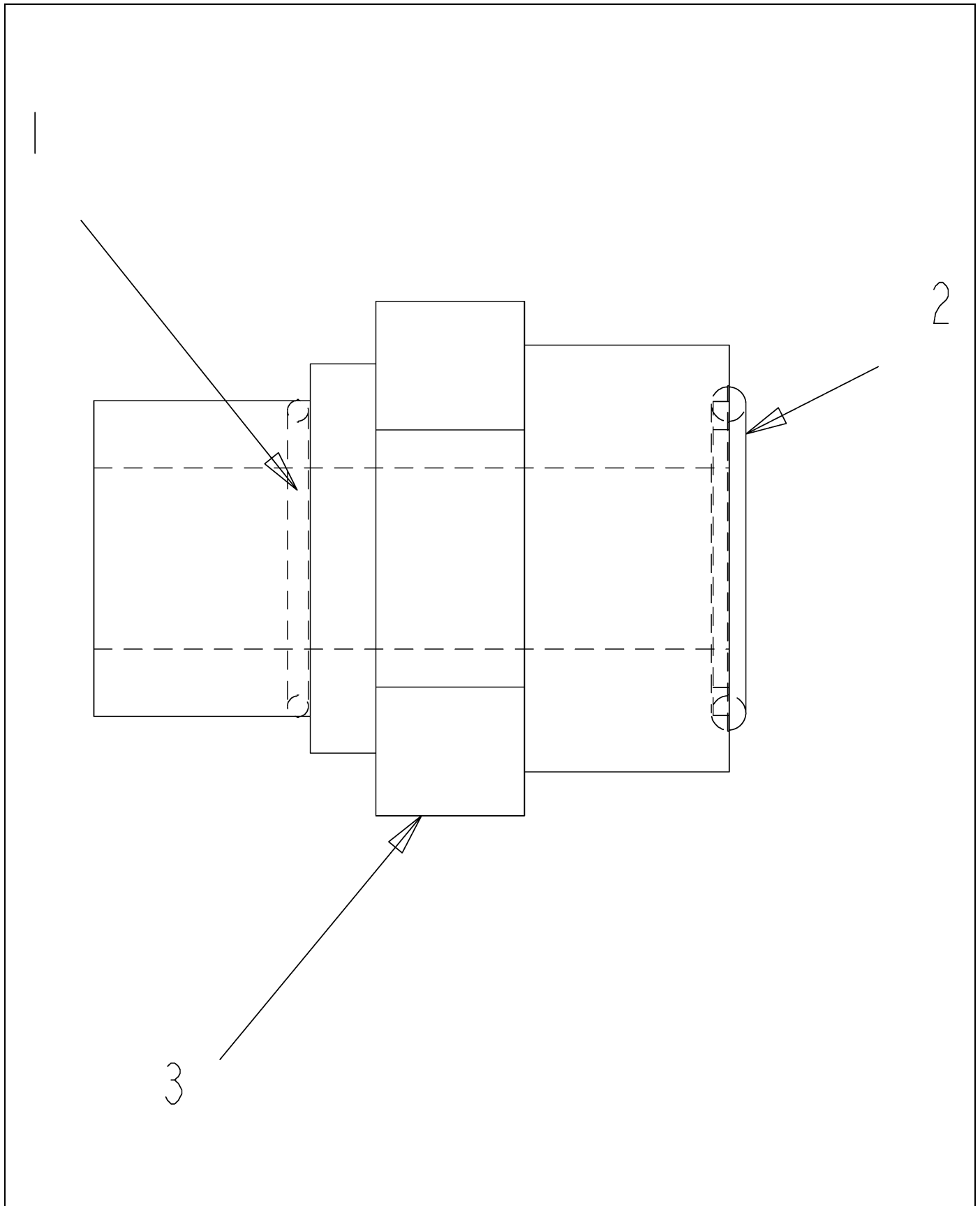


509920D1-01-N308-.TIF

CASE DRAIN FILTER ASM

ITEM	PART #	QTY	DESCRIPTION	COMMENTS
1	AG513916	-	LOCTITE HYD SEALANT BROWN	
2	AG516874	1	SENDER 0.50 WATER TEMP	
3	401000X1	1	TEE ASM-RUN, -12MOR X -12ORFS	
4	401040X1	1	CONNECTOR-ORFSXSTOR 25.4	SEE PAGE 5-28
5	512561D1	1	FILTER ASM-CASE DRAIN	SEE PAGE 5-29

CONNECTOR-ORFSXSTOR 25.4

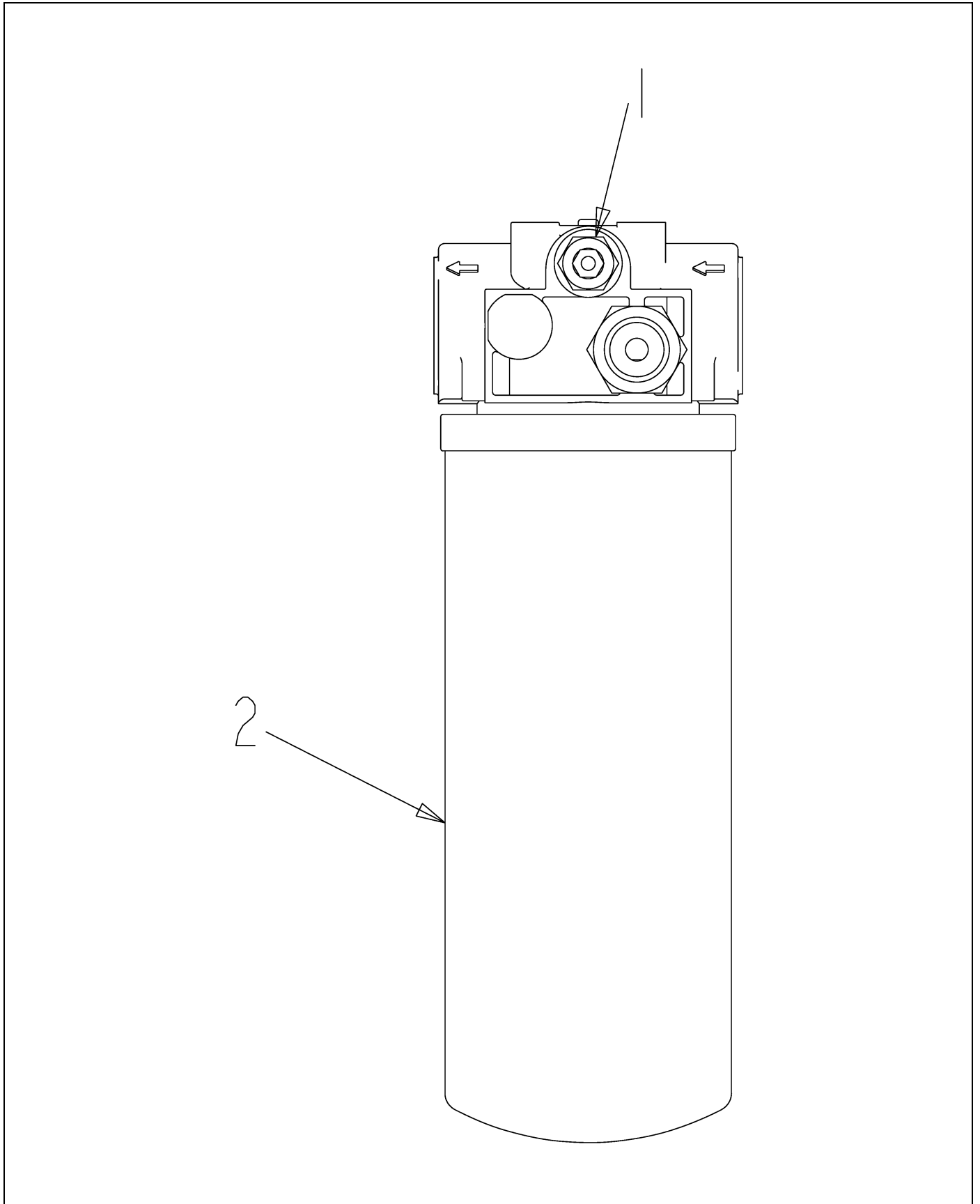


401040X1-02-K994-.TIF

CONNECTOR-ORFSXSTOR 25.4

ITEM	PART #	QTY	DESCRIPTION	COMMENTS
1	400123X1	1	SEAL-O RING-27.22ODX1.78 DIA	
2	400416X1	1	SEAL-O-RING 23.47IDX2.95DIA	
3	CH6V-8714	1	CONNECTOR-ORFS/ORP 25.4 TUBE	

FILTER ASM-CASE DRAIN

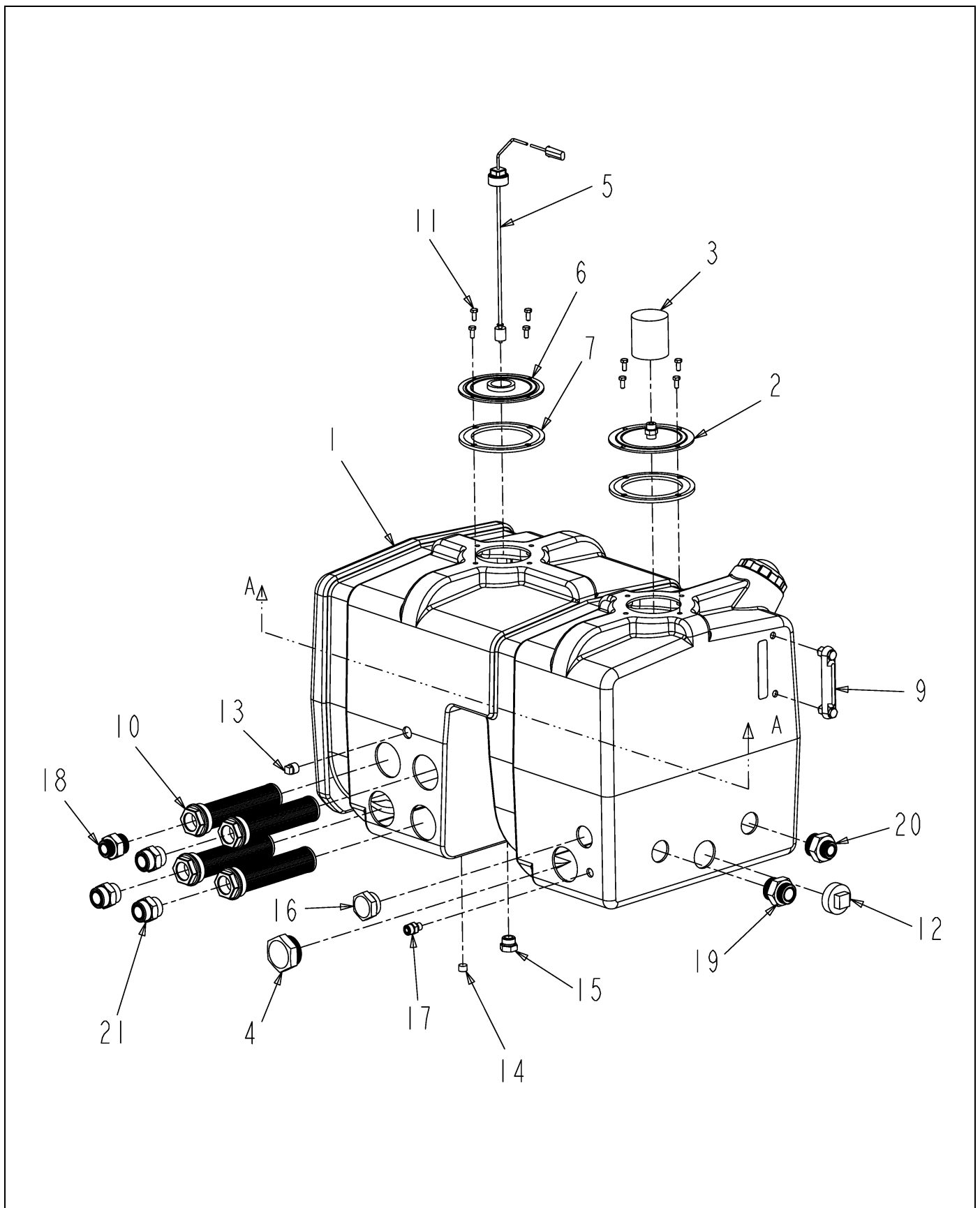


512561D1-01-N571-.TIF

FILTER ASM-CASE DRAIN

ITEM	PART #	QTY	DESCRIPTION	COMMENTS
1	AG717357	1	INDICATOR-FILTER SENDER	
2	512558D1	1	FILTER ELEMENT,1000 PSI	
	FOOTNOTE		874 EFFECTIVE S/N A0874KNS001010A AND ABOVE	
	FOOTNOTE		1074 EFFECTIVE S/N A1074CNS01011A AND ABOVE	
	FOOTNOTE		1074C NONE IN SCHEDULE	
	FOOTNOTE		SS EFFECTIVE A00SSVNSP81148 AND ABOVE	
	FOOTNOTE		SSC EFFECTIVE S/N A00SSCNSS11156A AND ABOVE	
	FOOTNOTE		1274 EFFECTIVE S/N A1286TNS001001A AND ABOVE	

TANK ASM-HYD

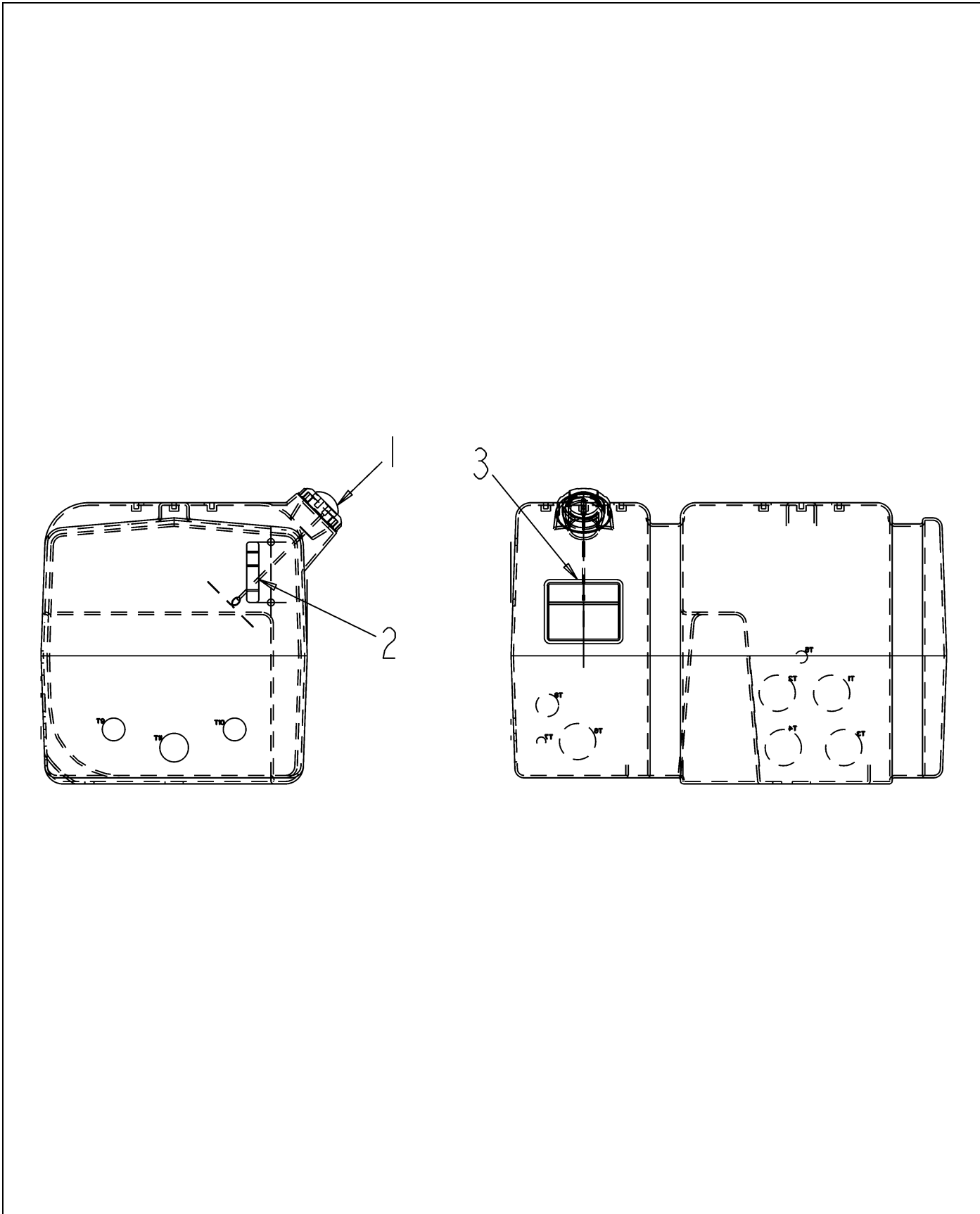


511578D1-01-N308-.TIF

TANK ASM-HYD

ITEM	PART #	QTY	DESCRIPTION	COMMENTS
1	AG121582	1	RESERVOIR-HYD 60 GAL	SEE PAGE 5-31
2	AG121591	1	COVER,CLEAN OUT,W/BRTHR ADPTR	
3	AG121778	1	FILTER BREATHER,HYD. TANK	
4	AG121806	1	PLUG-2.00 MO-R HEX	
5	AG124723	1	SWITCH-LEVEL,HYDRAULIC	
6	AG124732	1	COVER,CLEANOUT,W1-1/4 NPT	
7	AG136400	2	GASKET-COVER,HYD TANK	
8	AG513916	-	LOCTITE HYD SEALANT BROWN	
9	AG519570	1	INDICATOR HYD FLUID LEVEL	
10	AG520617	4	STRAINER-SUCTION 2.50	
11	AG550183	8	BOLT 0.31-18NCX 0.75 G5 ZN HHD	
12	AG550833	1	PLUG PIPE 2.00 SQ HD NPT	
13	AG557307	1	PLUG PIPE .50 SQ HD SOLID PL	
14	AG561081	1	PLUG PIPE .37 HEX S0C NPT STL	
15	AG561879	1	PLUG 0.75MO-R HEX	[A]
16	AG562568	1	PLUG 1.50 MO-R HEX	
17	400428X1	1	CONNECTOR AS-STR-6STOR-8ORFS	SEE PAGE 5-32
18	401002X1	1	ADAP ASM-STR, -20MOR X -16ORFS	
19	401005X1	1	ADAP ASM-STR,-24MOR X -200RFS	SEE PAGE 5-33
20	401007X1	1	ADAP ASM-STR,-24MOR X -160RFS	SEE PAGE 5-34
21	CH148-8334	3	CONNECTOR AS-20 ORFS X 20 STOR	SEE PAGE 5-26
	FOOTNOTE [A]		AG562511 O-RING	

RESERVOIR-HYD 60 GAL

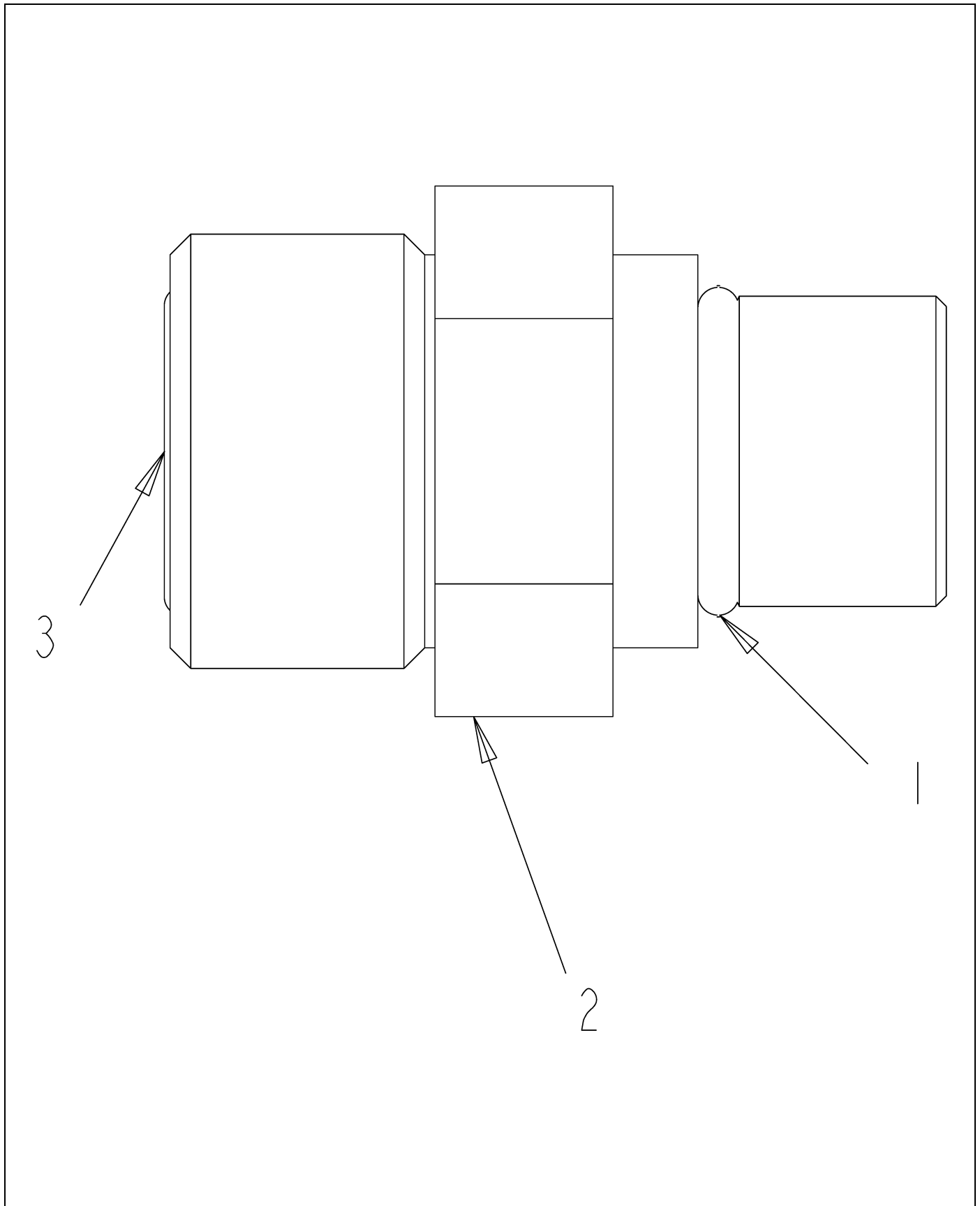


121582.TIF

RESERVOIR-HYD 60 GAL

ITEM	PART #	QTY	DESCRIPTION	COMMENTS
1	AG121768	1	CAP-HYDRAULIC W/LANYARD	
2	AG232541	-	DECAL HYD OIL LEVEL	[A]
3	AG263020	-	DECAL-HYDRAULIC OIL	
	FOOTNOTE [A]		SPANISH DECAL: AG237863	

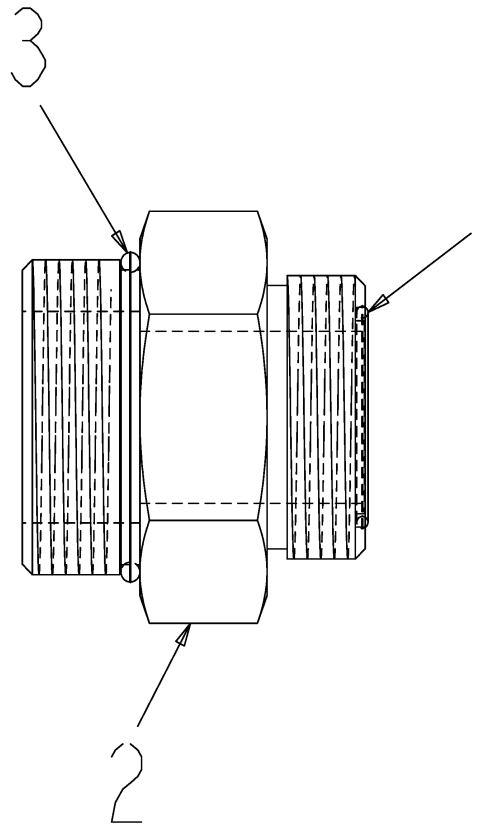
CONNECTOR AS-STR-6STOR-8ORFS



400428X1-01-.TIF

CONNECTOR AS-STR-6STOR-8ORFS

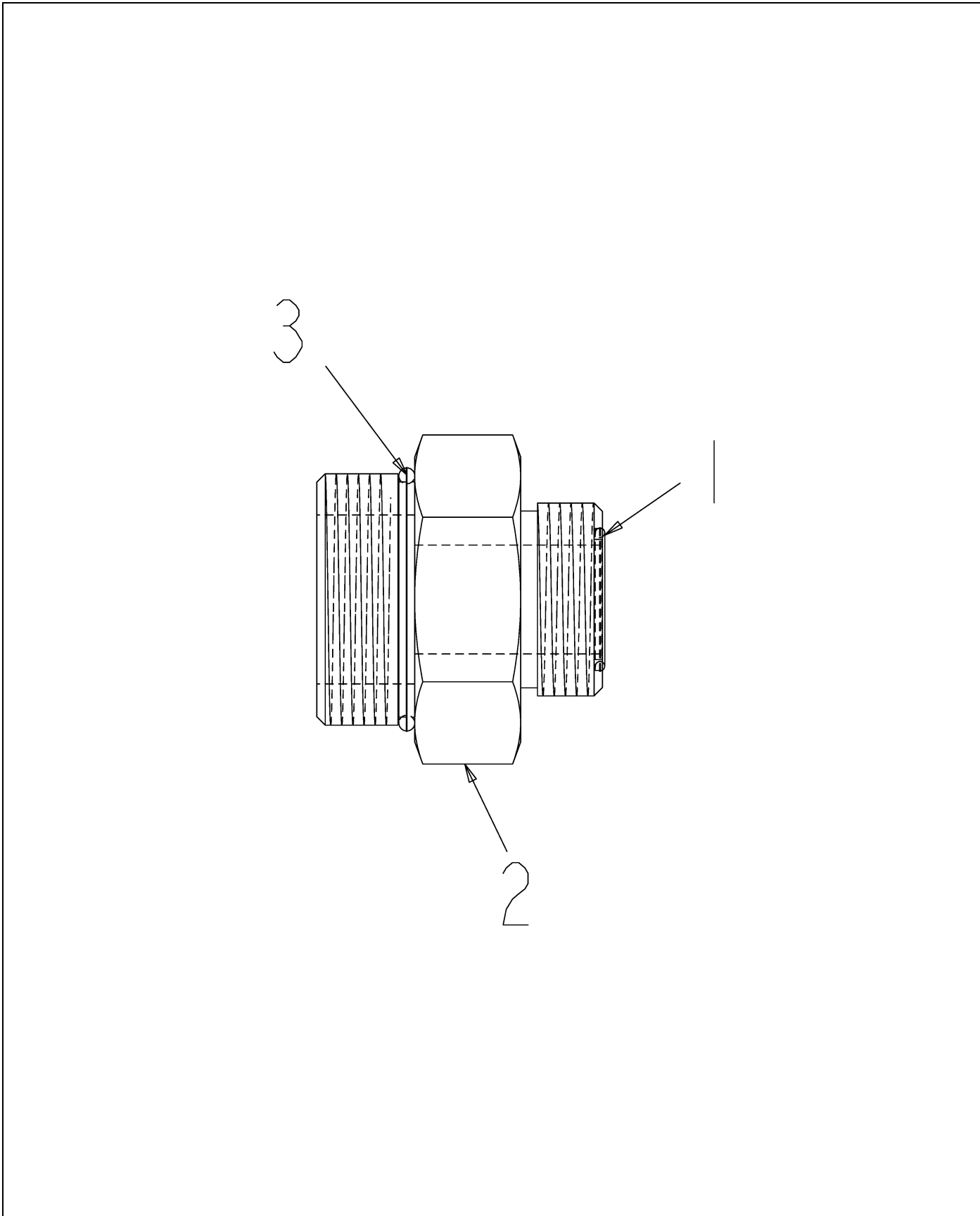
ITEM	PART #	QTY	DESCRIPTION	COMMENTS
1	400318X1	1	SEAL-O-RING 11.89IDXDIA1.98	
2	400429X1	1	CONNECTOR-STR -6 STOR-8 ORFS	
3	CH6V-8398	1	SEAL-O-RING-16.03ODX1.78DIA	



401005X1-01-M718-.TIF

ADAP ASM-STR,-24MOR X -200RFS

ITEM	PART #	QTY	DESCRIPTION	COMMENTS
1	400365X1	1	SEAL-O-RING 33.57 ODX1.78 DIA	
2	401004X1	1	ADAP-STR,-24MOR X -200RFS	
3	CH6K-6307	1	SEAL-O RING 43.69 IDX3DIA	

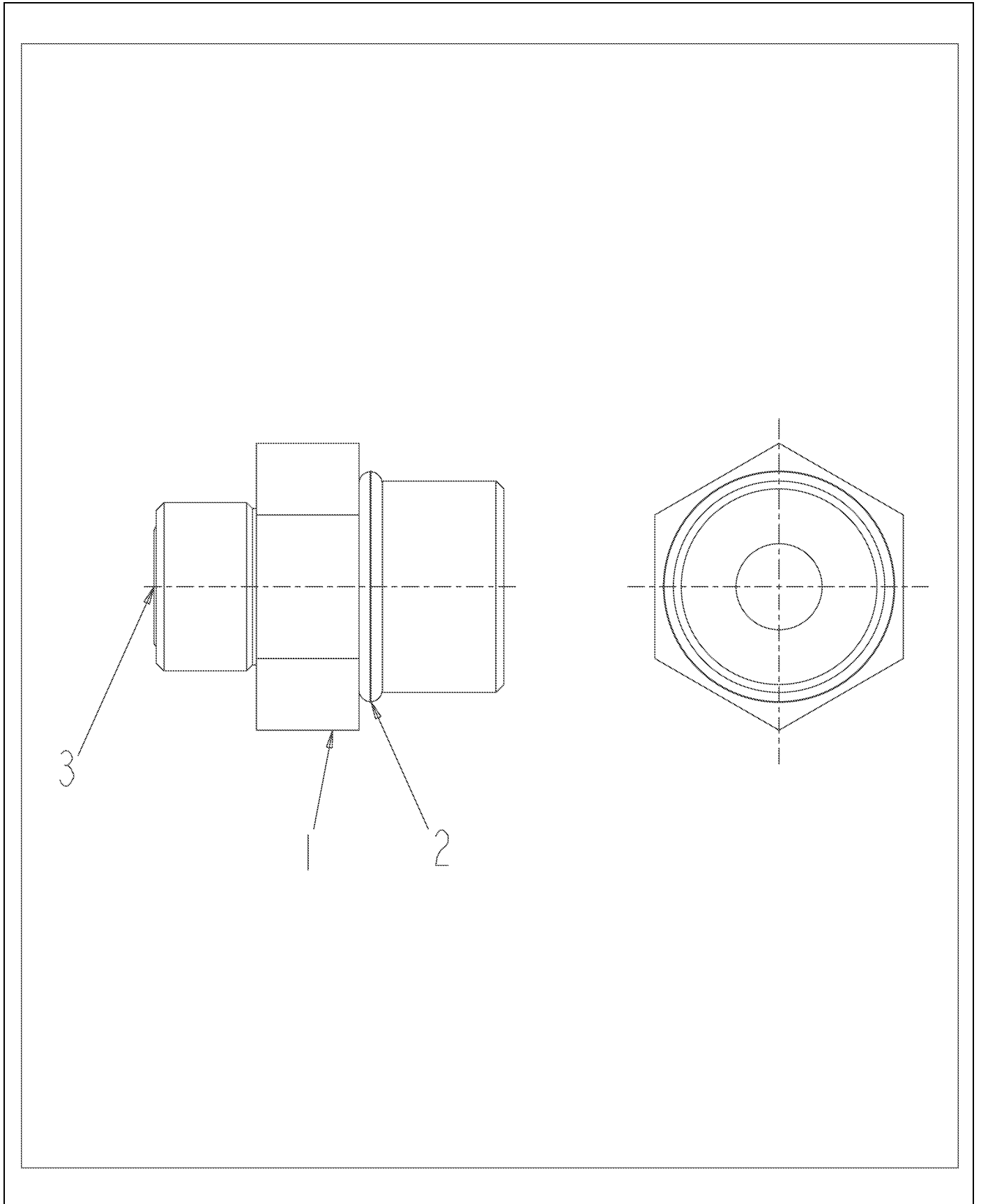


401007X1-01-M718-.TIF

ADAP ASM-STR,-24MOR X -160RFS

ITEM	PART #	QTY	DESCRIPTION	COMMENTS
1	400123X1	1	SEAL-O RING-27.22ODX1.78 DIA	
2	401006X1	1	ADAP-STR, -24MOR X -160RFS	
3	CH6K-6307	1	SEAL-O RING 43.69 IDX3DIA	

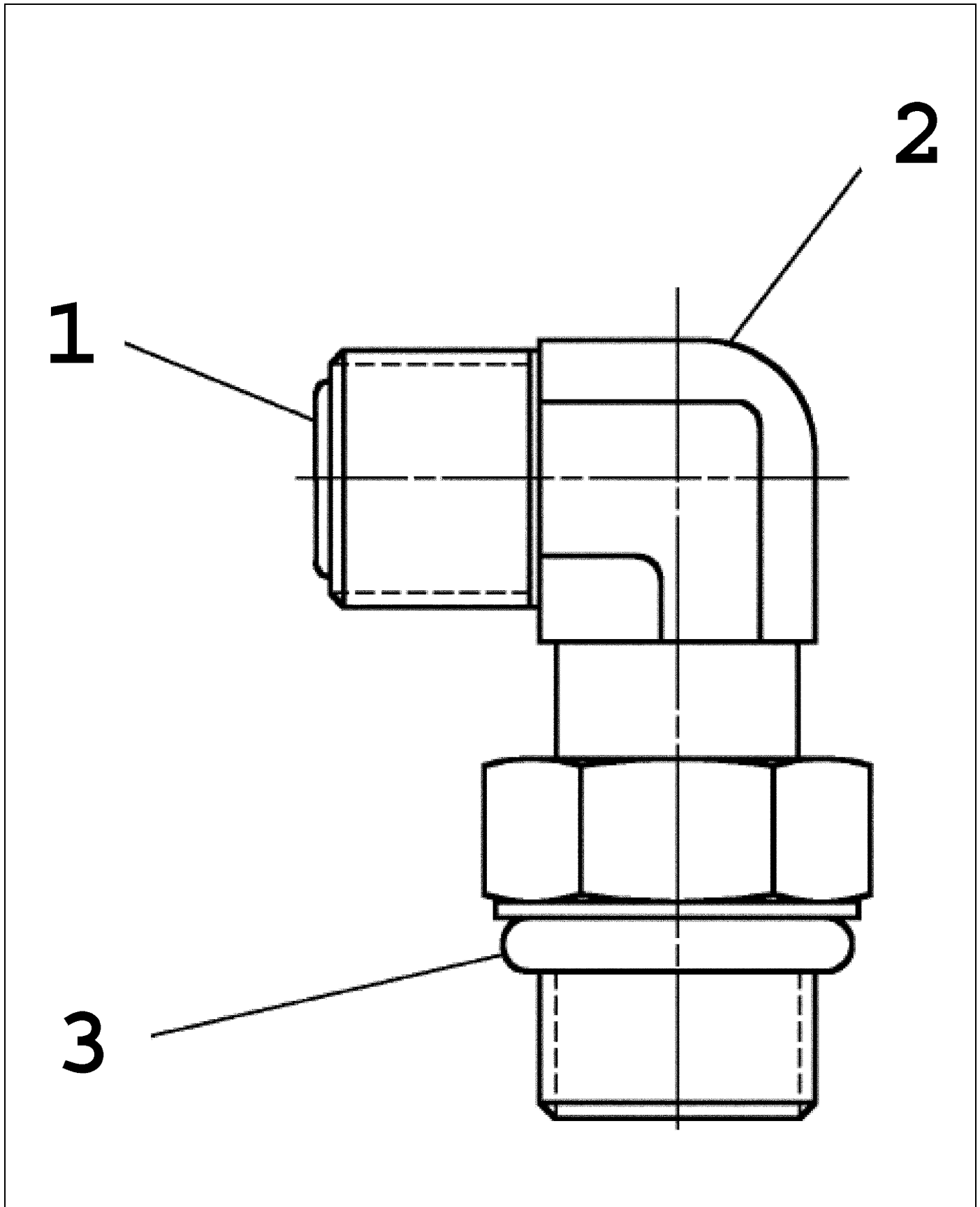
CONNECTOR AS-STR-12STOR-8ORFS



400414X1-01--.TIF

CONNECTOR AS-STR-12STOR-8ORFS

ITEM	PART #	QTY	DESCRIPTION	COMMENTS
1	400415X1	1	CONNECTOR-STR-12STOR-8ORFS	
2	400416X1	1	SEAL-O-RING 23.47IDX2.95DIA	
3	CH6V-8398	1	SEAL-O-RING-16.03ODX1.78DIA	

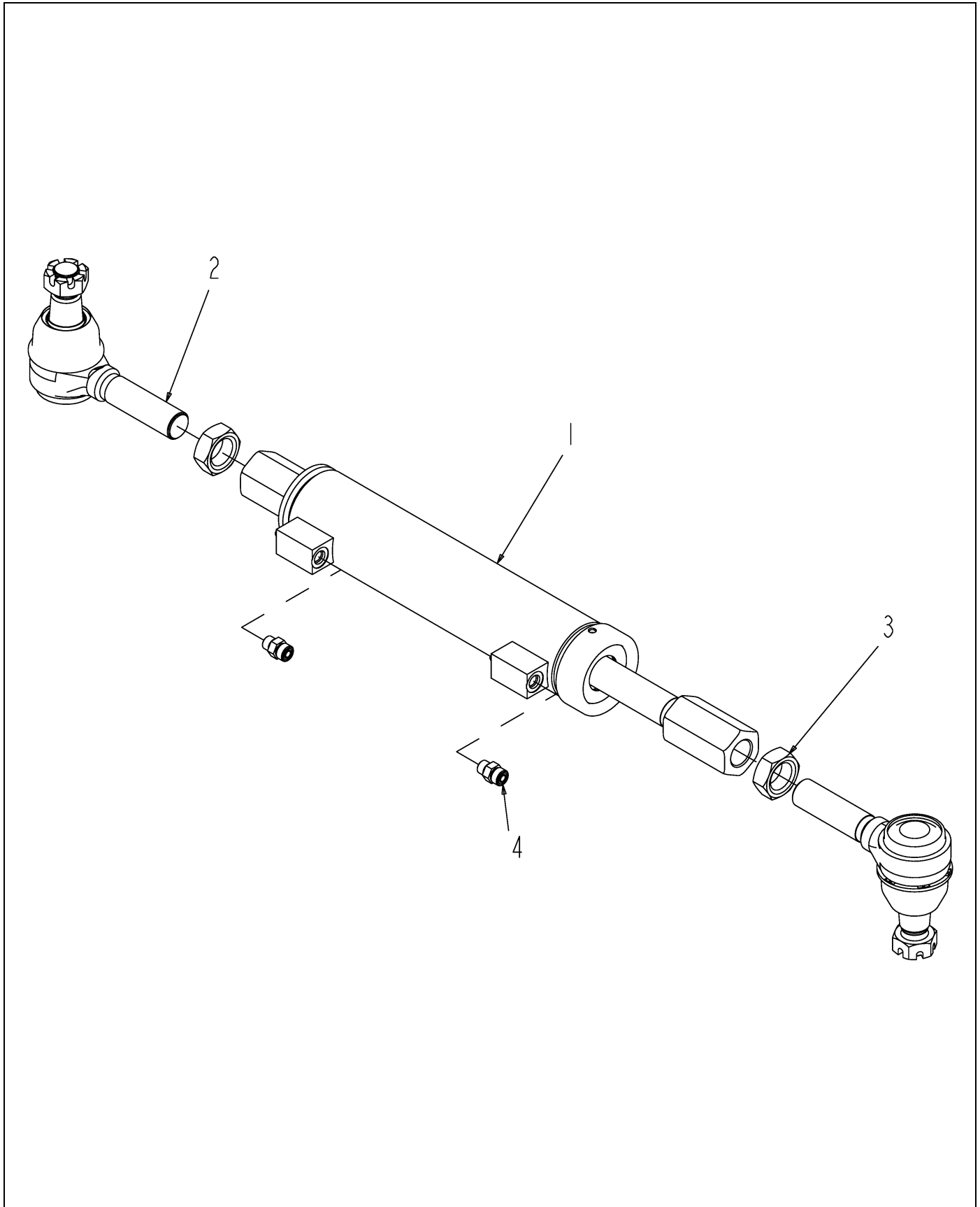


CH205-3692-02-K903-.tif

ELBOW AS-90 DEGREE 6 ORFS X 10 STOR

ITEM	PART #	QTY	DESCRIPTION	COMMENTS
1	400378X1	1	SEAL-O-RING 12.83 ODX1.78 DIA	
2	CH9X-2134	1	ELBOW AS-90° 6 ORFS X 10 STOR	
3	400319X1	1	SEAL-O-RING 19.18IDXDIA2.46	

CYLINDER ASM-STEERING, REAR

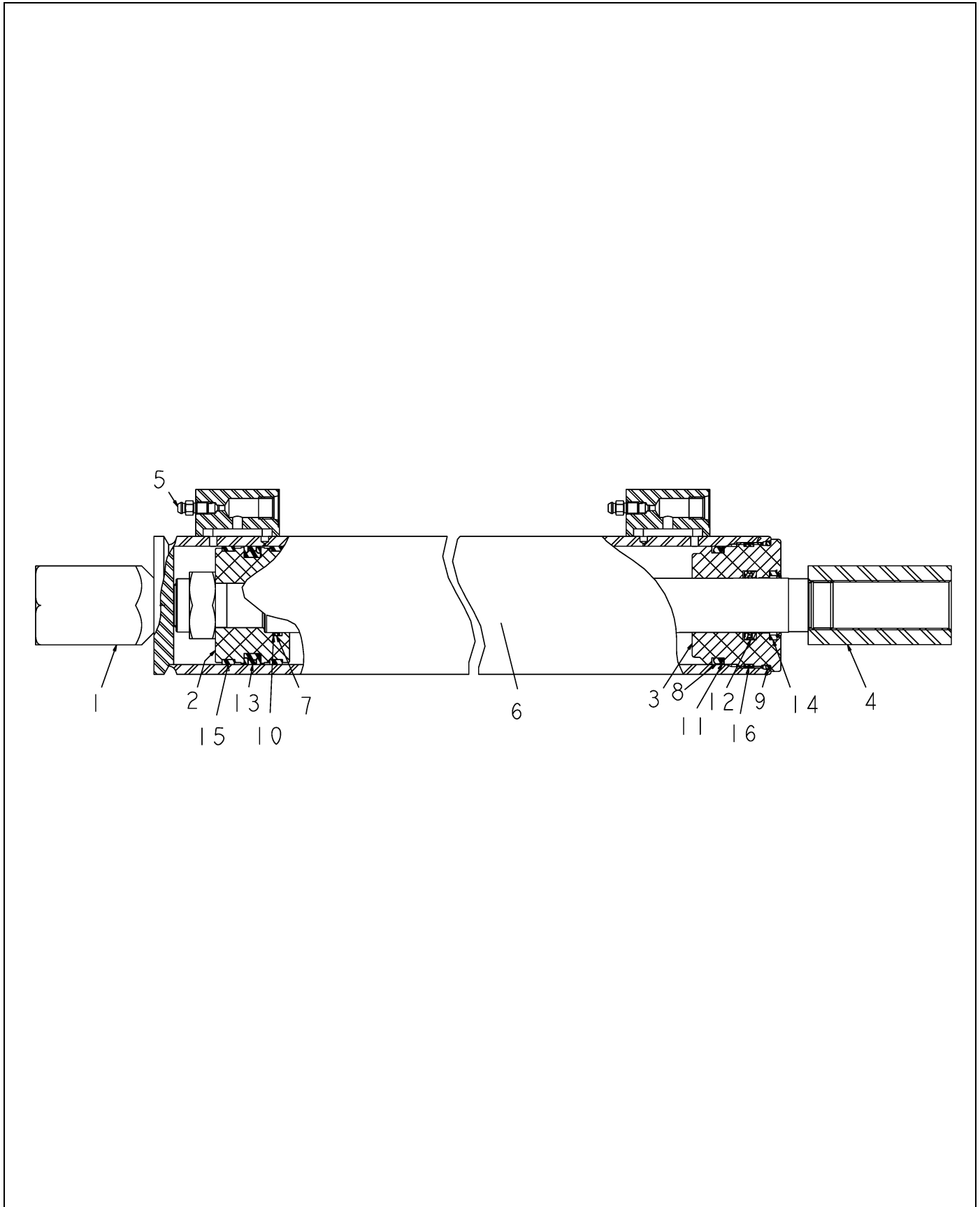


509915D1-01-N308-.TIF

CYLINDER ASM-STEERING, REAR

ITEM	PART #	QTY	DESCRIPTION	COMMENTS
1	AG424623	1	CYLINDER-HYD,3.00X12.00X1.38	SEE PAGE 5-38
2	AG523559	2	JOINT-BALL,42K YIELD	
3	AG561828	2	NUT 1.25-12NF HEX ZN JAM G5	
4	400638X1	2	CONNECTOR AS-STR-6 R/B400367X1	

CYLINDER-HYD,3.00X12.00X1.38

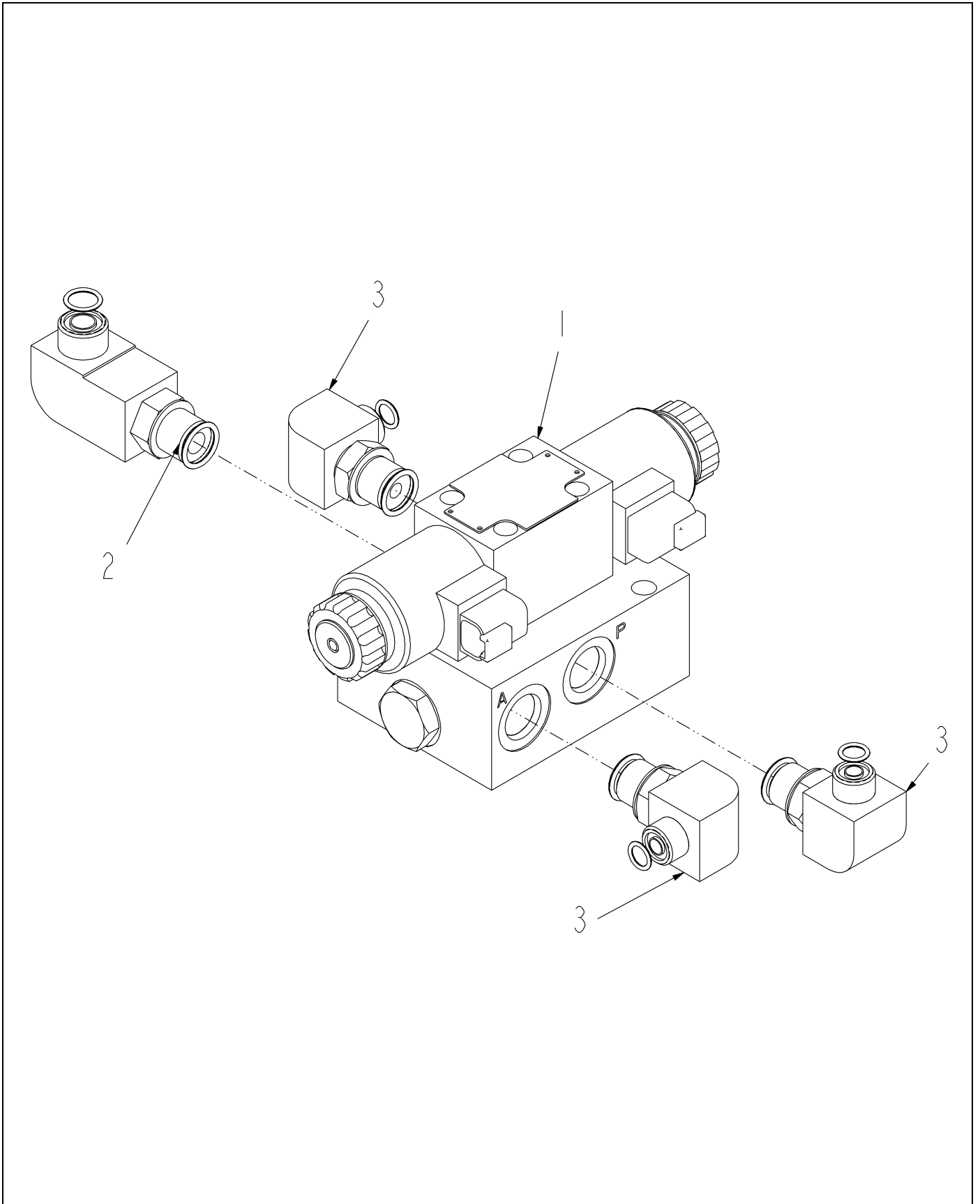


424623-A.TIF

CYLINDER-HYD,3.00X12.00X1.38

ITEM	PART #	QTY	DESCRIPTION	COMMENTS
1	AG126258	1	TUBE WELDMENT	
2	AG126259	1	PISTON	
3	AG727112	1	GLAND/HEAD	
3	AG126262	1	HEAD GLAND	
4	AG126260	1	ROD WELDMENT	
5	AG129928	2	SCREW/BLEEDER	
6	AG121380	1	KIT-SEAL,CYLINDER 424621/623	[A]
	FOOTNOTE [A]		SEAL KIT CONTAINS ITEMS 7-16	

VALVE ASM-4 WHL STR

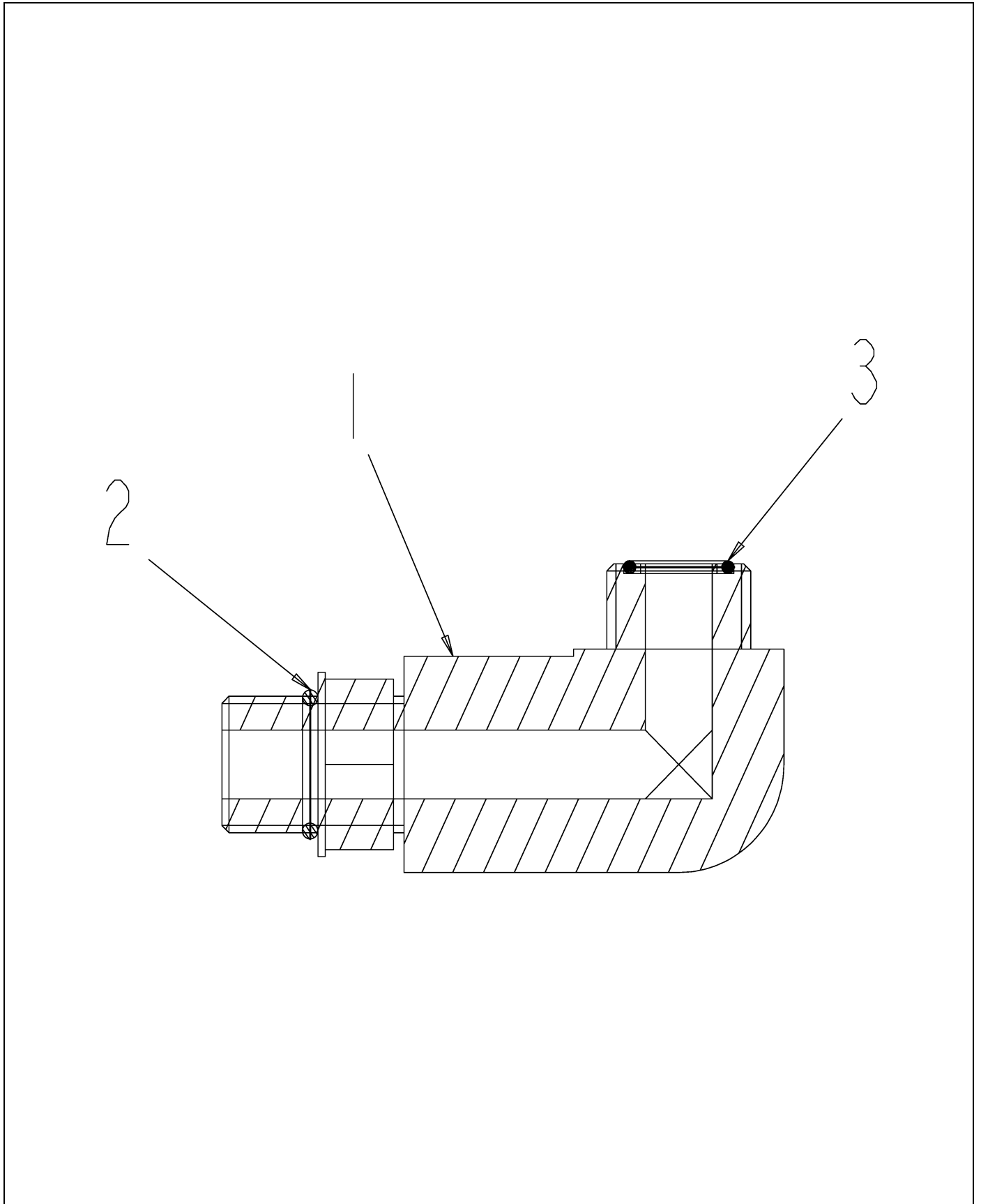


511616D1-02-R245-.TIF

VALVE ASM-4 WHL STR

ITEM	PART #	QTY	DESCRIPTION	COMMENTS
1	AG125819	1	VALVE, HYD, 4X4 STEER, W/CHECK	SEE PAGE 5-91
2	CH148-8346	1	ELBOW AS-90° 8ORFS X 8STOR	SEE PAGE 5-40
3	CH148-8374	3	ELBOW AS-90° 6ORFS X 8STOR	SEE PAGE 5-41

ELBOW AS-90 DEGREE 8ORFS X 8STOR

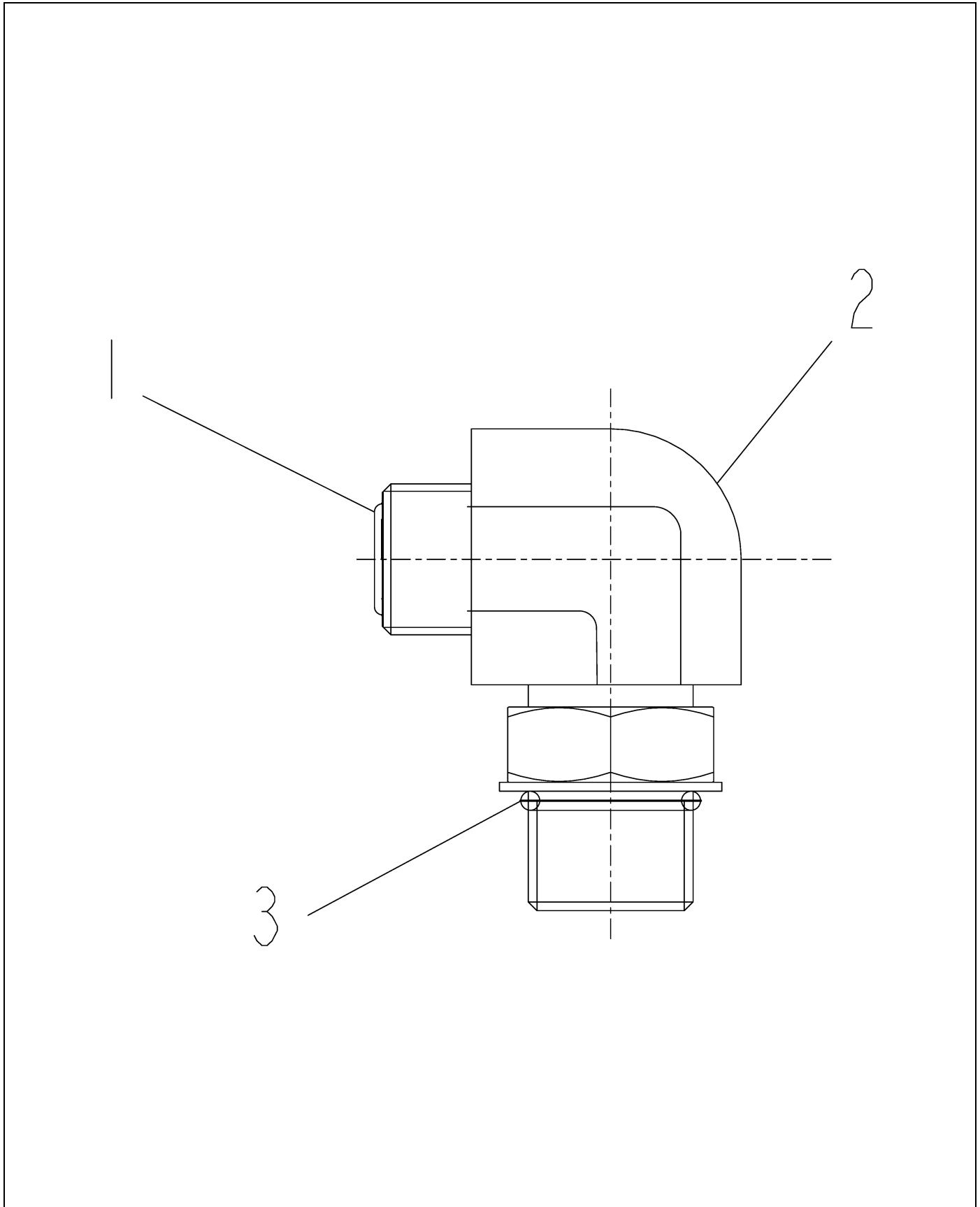


CH148-8346-01-.TIF

ELBOW AS-90 DEGREE 8ORFS X 8STOR

ITEM	PART #	QTY	DESCRIPTION	COMMENTS
1	CH8T-1686	1	ELBOW-90° 8ORFS X 8STOR	
2	CH3K-0360	1	SEAL-O-RING 16.36IDX2.21DIA	
3	CH6V-8398	1	SEAL-O-RING-16.03ODX1.78DIA	

ELBOW AS-90 DEGREE 6ORFS X 8STOR

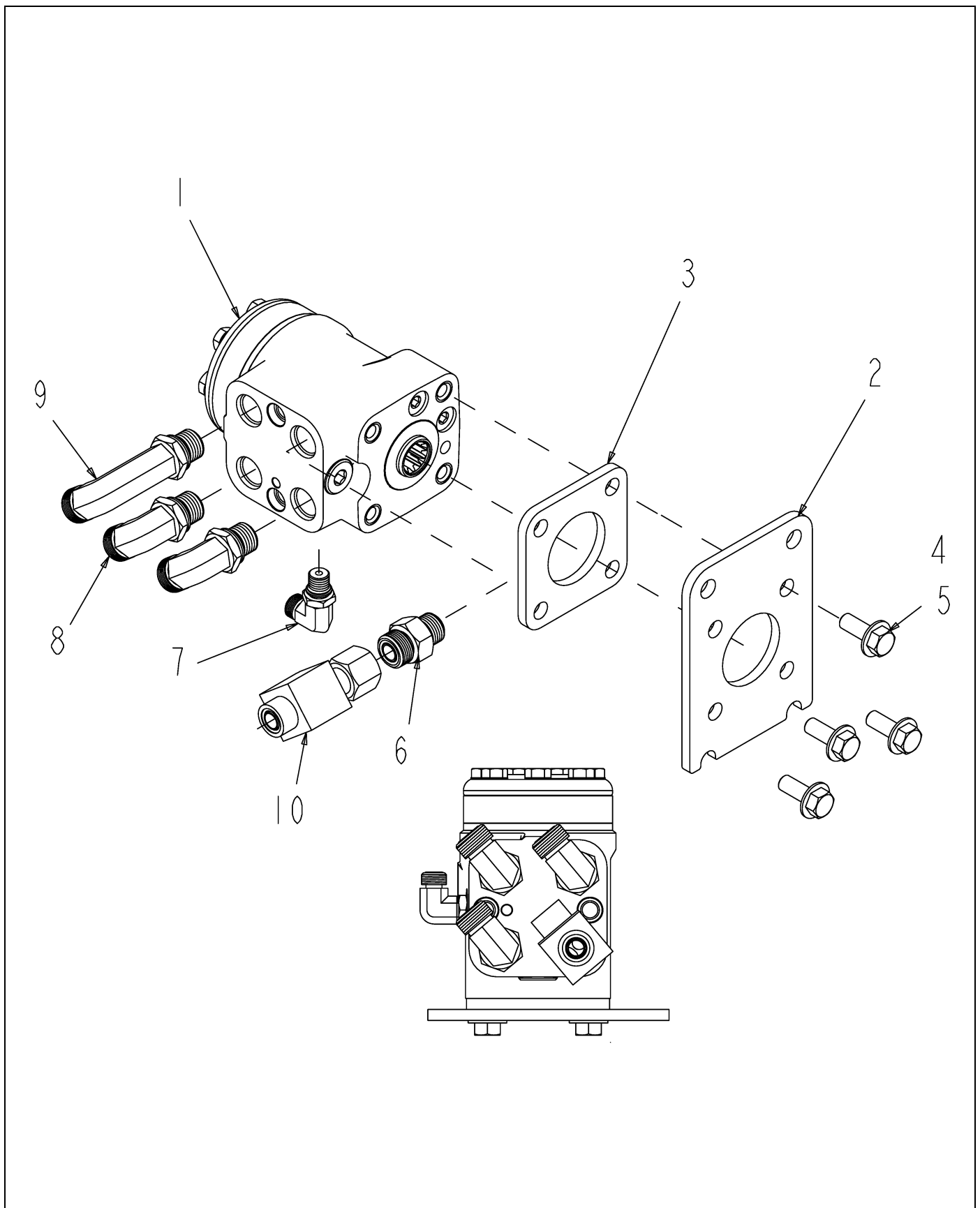


CH148-8374-01-.TIF

ELBOW AS-90 DEGREE 6ORFS X 8STOR

ITEM	PART #	QTY	DESCRIPTION	COMMENTS
1	400378X1	1	SEAL-O-RING 12.83 ODX1.78 DIA	
2	CH6V-8723	1	ELBOW-90° 6ORFS X 8STOR	
3	CH3K-0360	1	SEAL-O-RING 16.36IDX2.21DIA	

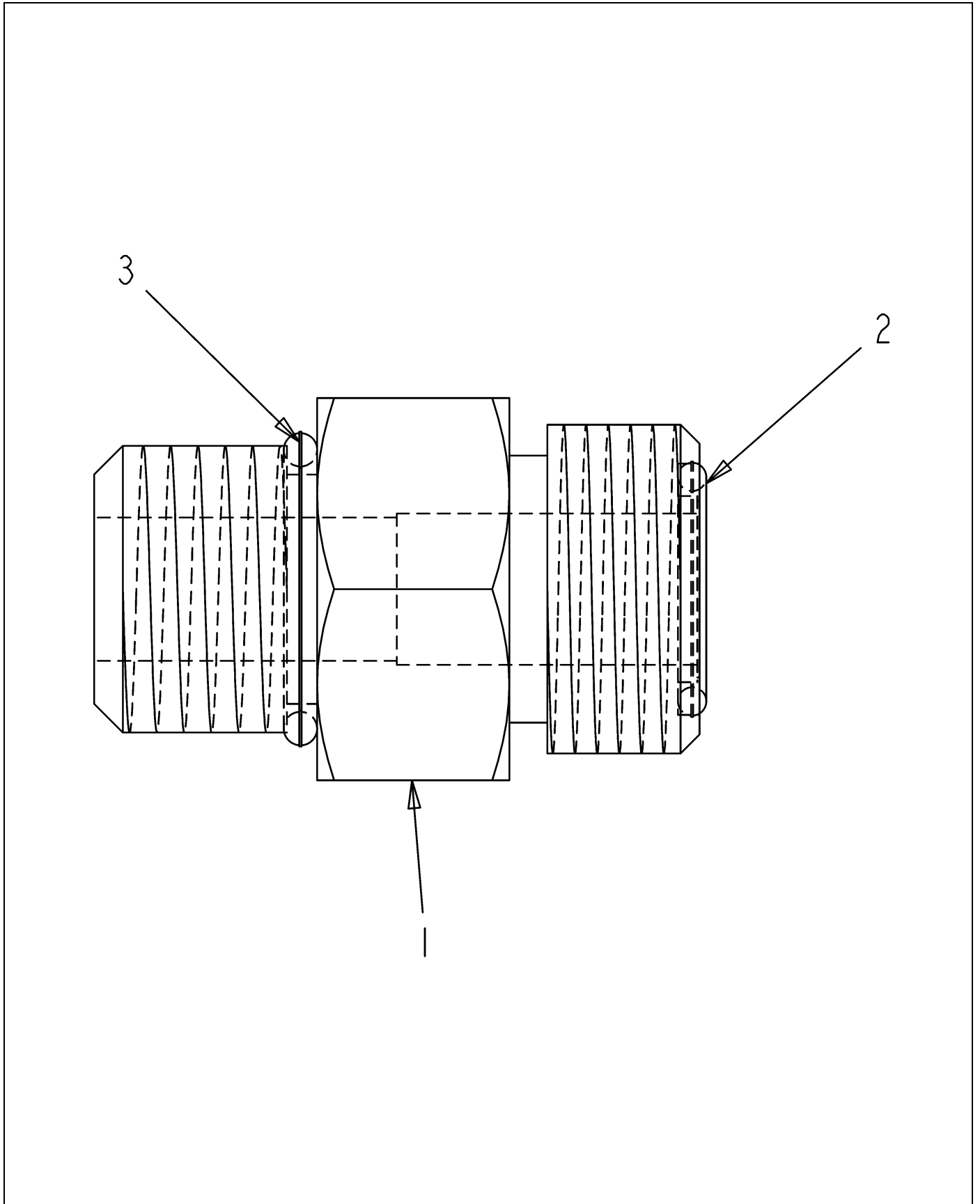
HYD STEERING ORBITROL ASM



511778D1-01-N308-.TIF

HYD STEERING ORBITROL ASM

ITEM	PART #	QTY	DESCRIPTION	COMMENTS
1	WR123746	1	STEER UNIT-OSPQ,125/250	
2	AG236672	1	PLATE-MTG,STEERING ORBITROL	
3	AG236673	1	SPACER-STEERING ORBITROL	
4	AG512885	-	LOCTITE ADHESIVE SEALANT BLUE	
5	AG520689	4	BOLT-M10-1.5X25,CL8.8,ZN,FLG	
6	401028X1	1	ADAP ASM-M18X1.5MOR X -80RFS	SEE PAGE 5-43
7	401280X1	1	ELBOW ASM-90D M12X1.5 X 4STOR	SEE PAGE 5-44
8	401282X1	2	ELBOW ASM-90D M18X1.5 X 8STOR	SEE PAGE 5-45
9	401284X1	1	ELBOW-ASM-LG90 M18X1.5 X STOR	SEE PAGE 5-46
10	CH148-8444	1	TEE-SWIVEL 3X -8 ORFS	

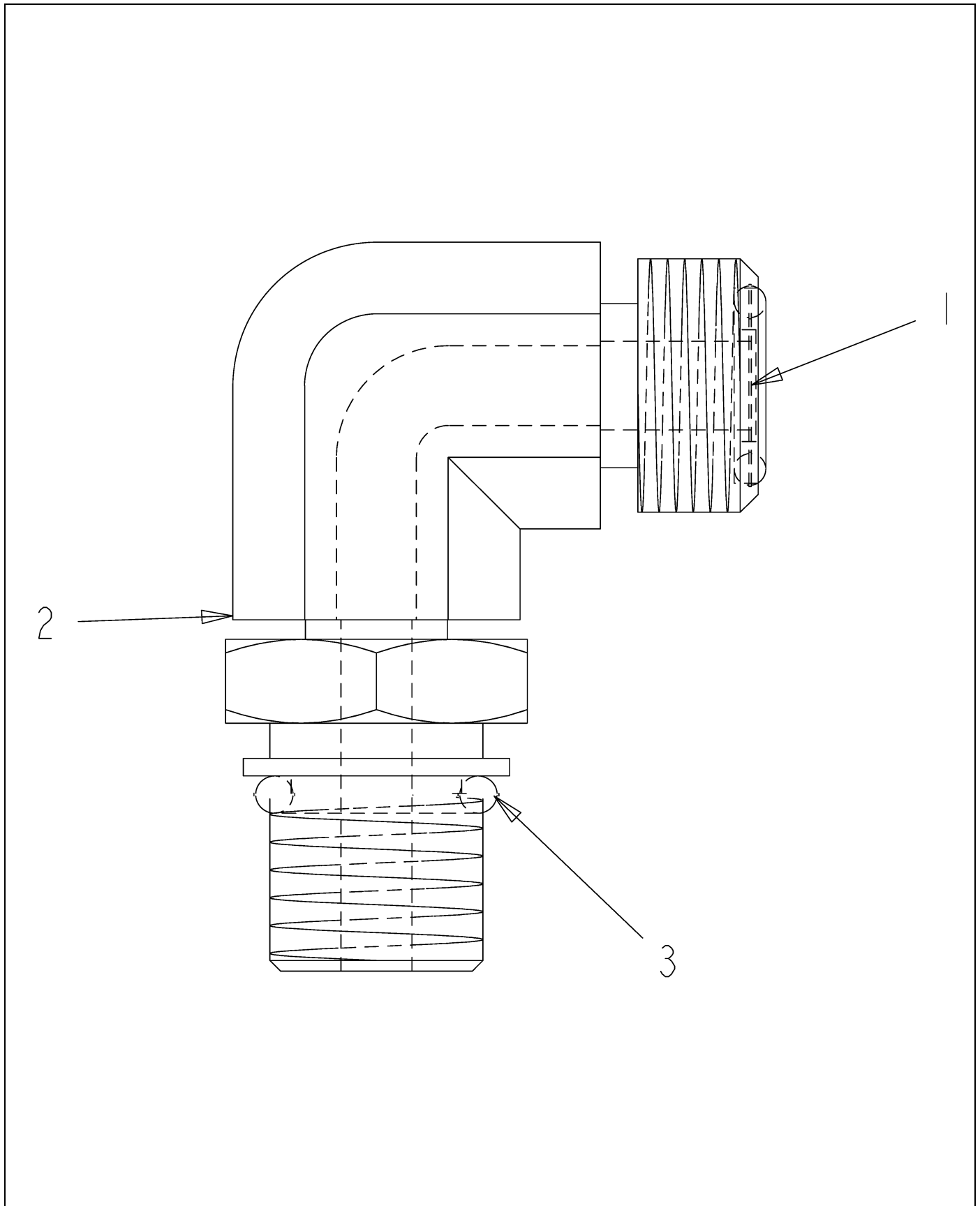


401028X1-01-M746-.TIF

ADAP ASM-M18X1.5MOR X -80RFS

ITEM	PART #	QTY	DESCRIPTION	COMMENTS
1	401027X1	1	ADAP-STR,M18X1.5MOR X -80RFS	
2	CH6V-8398	1	SEAL-O-RING-16.03ODX1.78DIA	
3	CH8T-7524	1	SEAL-O-RING 15.4 R/B 401378X1	

ELBOW ASM-90D M12X1.5 X 4STOR

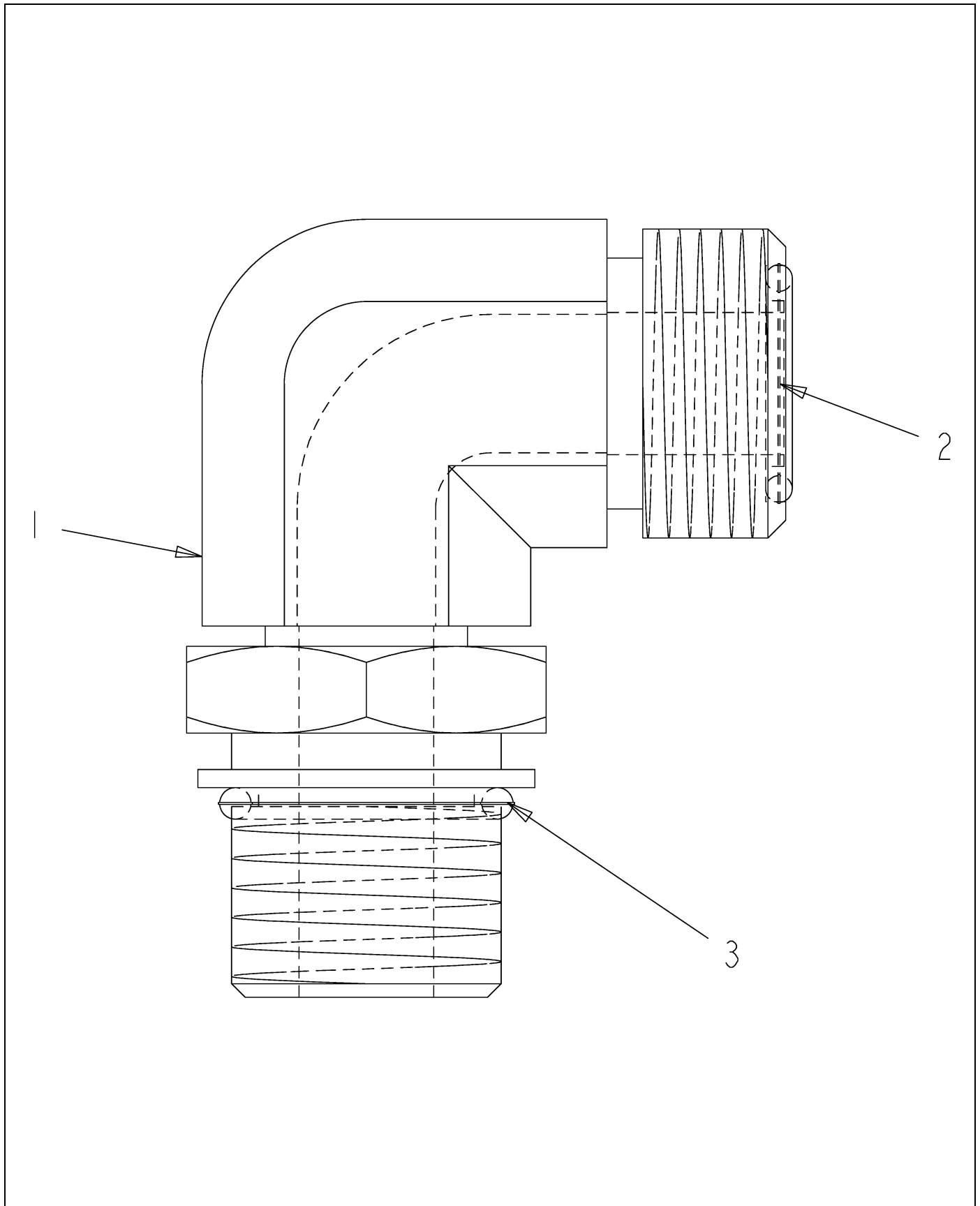


401280X1-01-N308-.TIF

ELBOW ASM-90D M12X1.5 X 4STOR

ITEM	PART #	QTY	DESCRIPTION	COMMENTS
1	400377X1	1	SEAL-O-RING 11.23 ODX1.78 DIA	
2	401279X1	1	ELBOW-90D M12X1.5 X 4STOR	
3	CH6V-9028	1	SEAL-O RING 9.4 R/B 401375X1	

ELBOW ASM-90D M18X1.5 X 8STOR

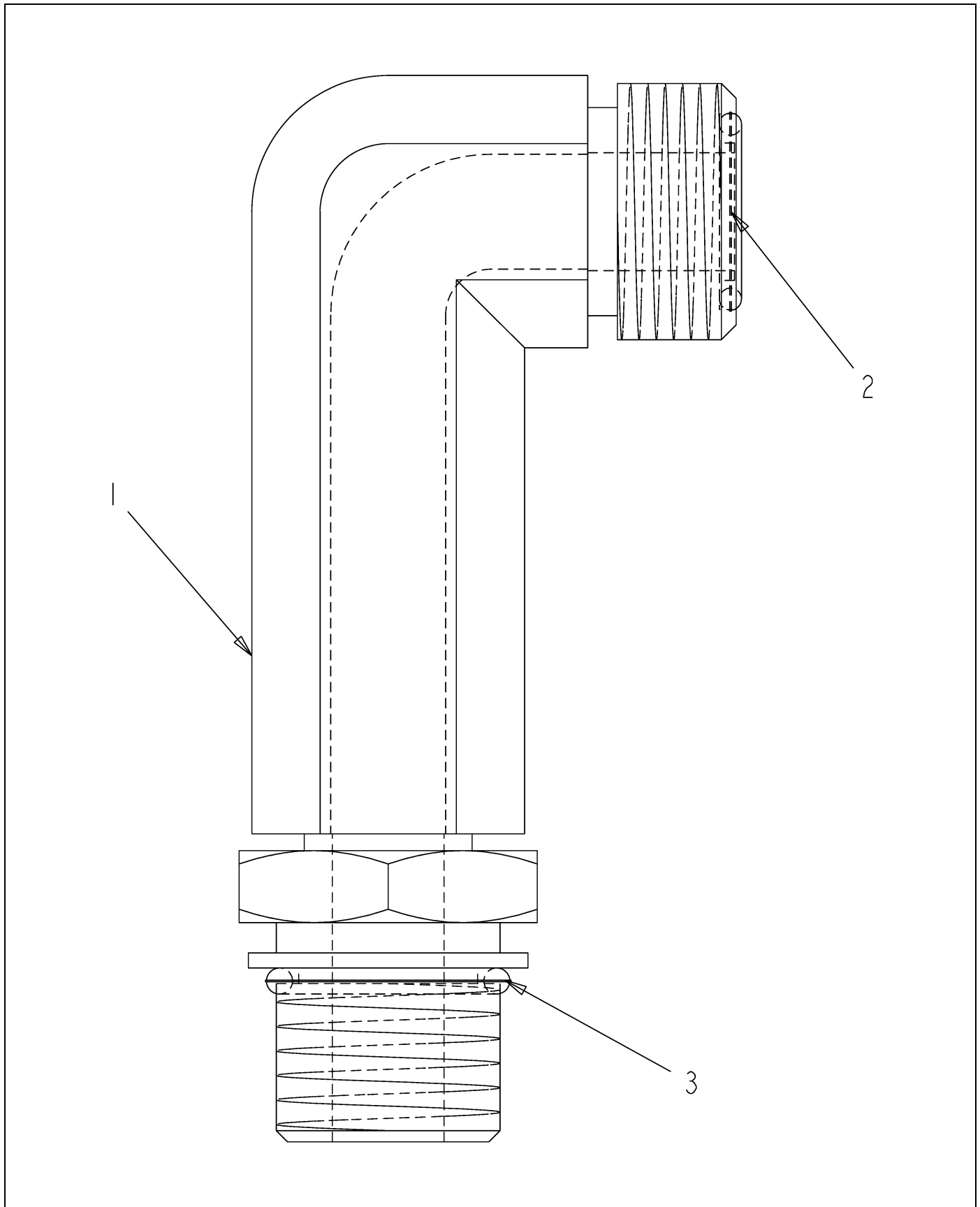


401282X1-01-N308.TIF

ELBOW ASM-90D M18X1.5 X 8STOR

ITEM	PART #	QTY	DESCRIPTION	COMMENTS
1	401281X1	1	ELBOW -90D M18X1.5 X 8STOR	
2	CH6V-8398	1	SEAL-O-RING-16.03ODX1.78DIA	
3	CH8T-7524	1	SEAL-O-RING 15.4 R/B 401378X1	

ELBOW-ASM-LG90 M18X1.5 X STOR

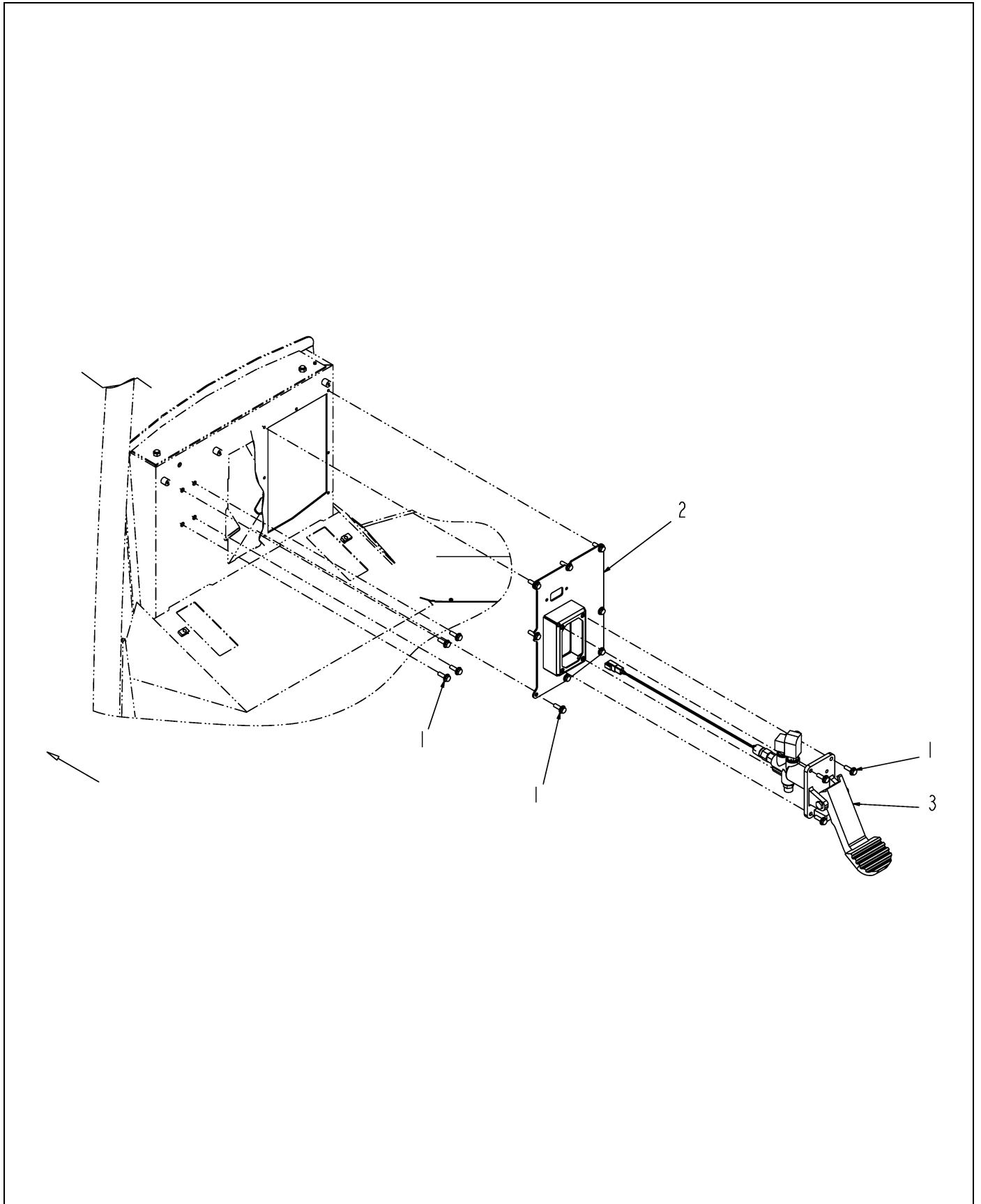


401284X1-01-N308-.TIF

ELBOW-ASM-LG90 M18X1.5 X STOR

ITEM	PART #	QTY	DESCRIPTION	COMMENTS
1	401283X1	1	ELBOW-LG90 M18X1.5 X 8STOR	
2	CH6V-8398	1	SEAL-O-RING-16.03ODX1.78DIA	
3	CH8T-7524	1	SEAL-O-RING 15.4 R/B 401378X1	

BRAKE VALVE INSTL-HYD

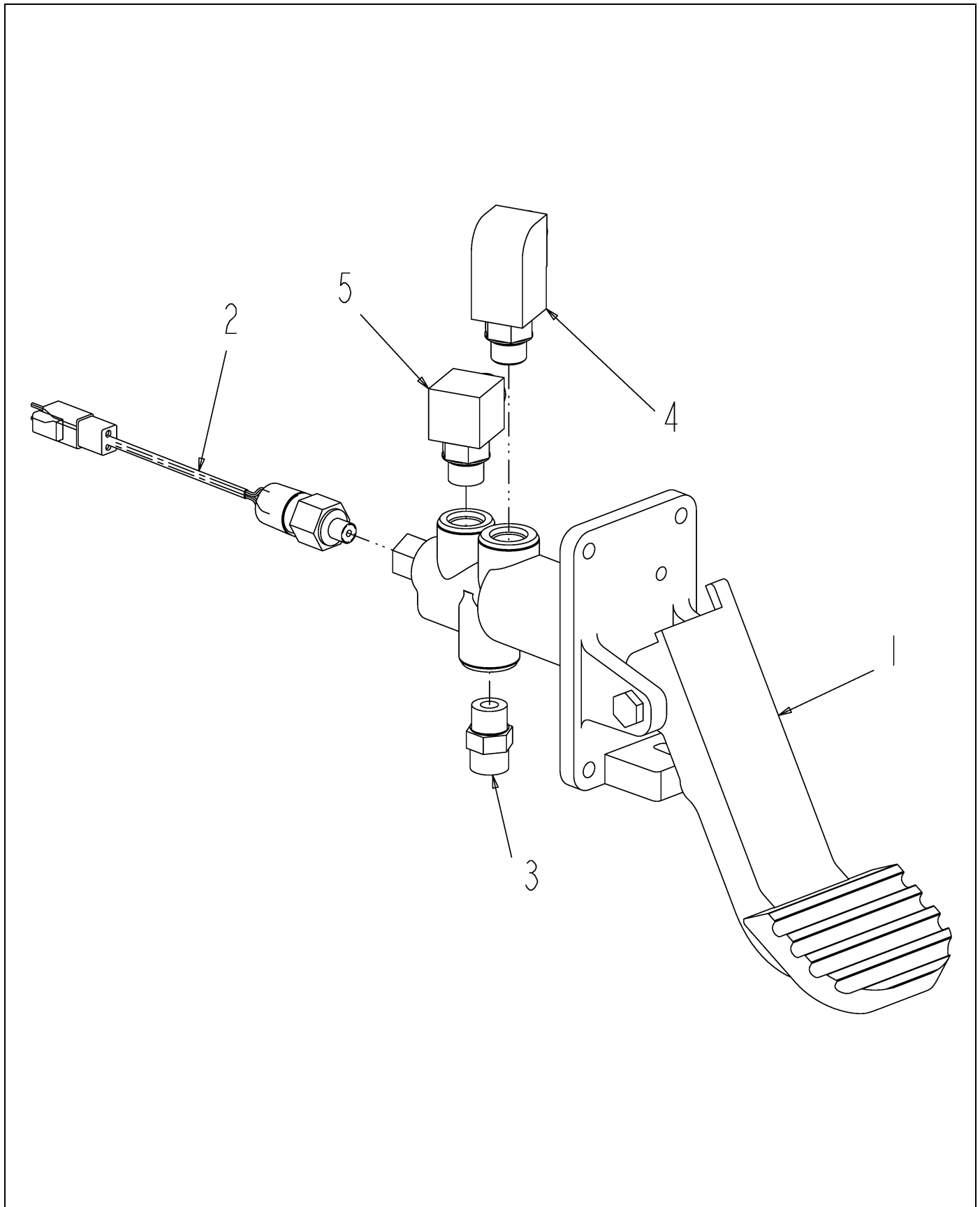


511779D1-01-N308-.TIF

BRAKE VALVE INSTL-HYD

ITEM	PART #	QTY	DESCRIPTION	COMMENTS
1	AG522855	16	BOLT-M8-1.25X25,CL10.9,BLK,FLG	
2	504376D1	1	BRKT WLDMT-BRAKE,HYD	
3	511780D1	1	BRAKE VALVE ASM-HYD	SEE PAGE 5-48

BRAKE VALVE ASM-HYD

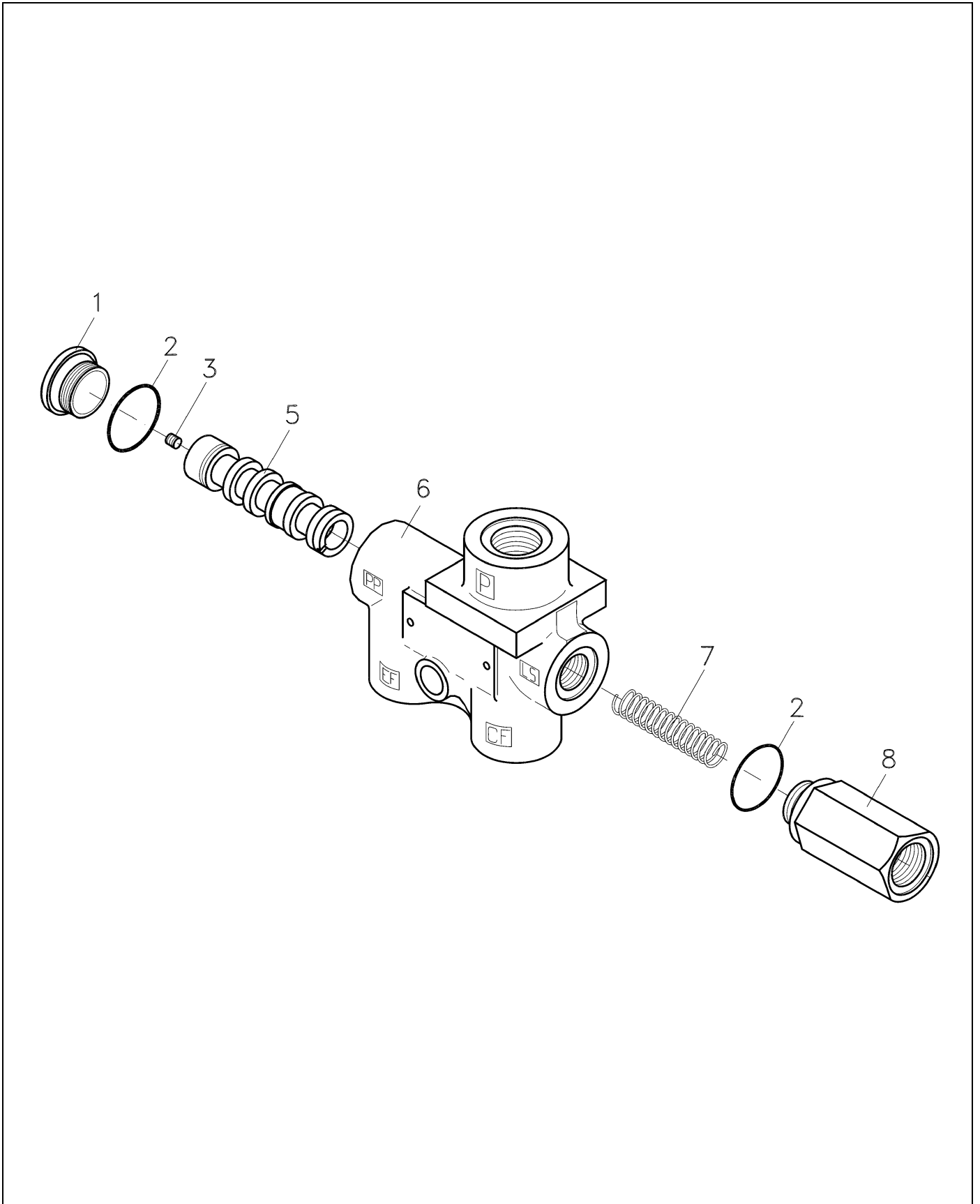


511780D1-01-N308-.TIF

BRAKE VALVE ASM-HYD

ITEM	PART #	QTY	DESCRIPTION	COMMENTS
1	AG424306	1	VALVE-HYD,BRAKE,REV MODULATING	[A]
2	504765D1	1	SWITCH-PRESSURE,-04MO-R,232F	
3	CH148-8340	1	CONNECTOR AS -8ORFS-8STOR	
4	CH148-8346	1	ELBOW AS-90° 8ORFS X 8STOR	SEE PAGE 5-40
5	CH148-8364	1	ELBOW AS-90D 8STOR-8ORFS	
	FOOTNOTE [A]		AG726958 - REPAIR KIT	

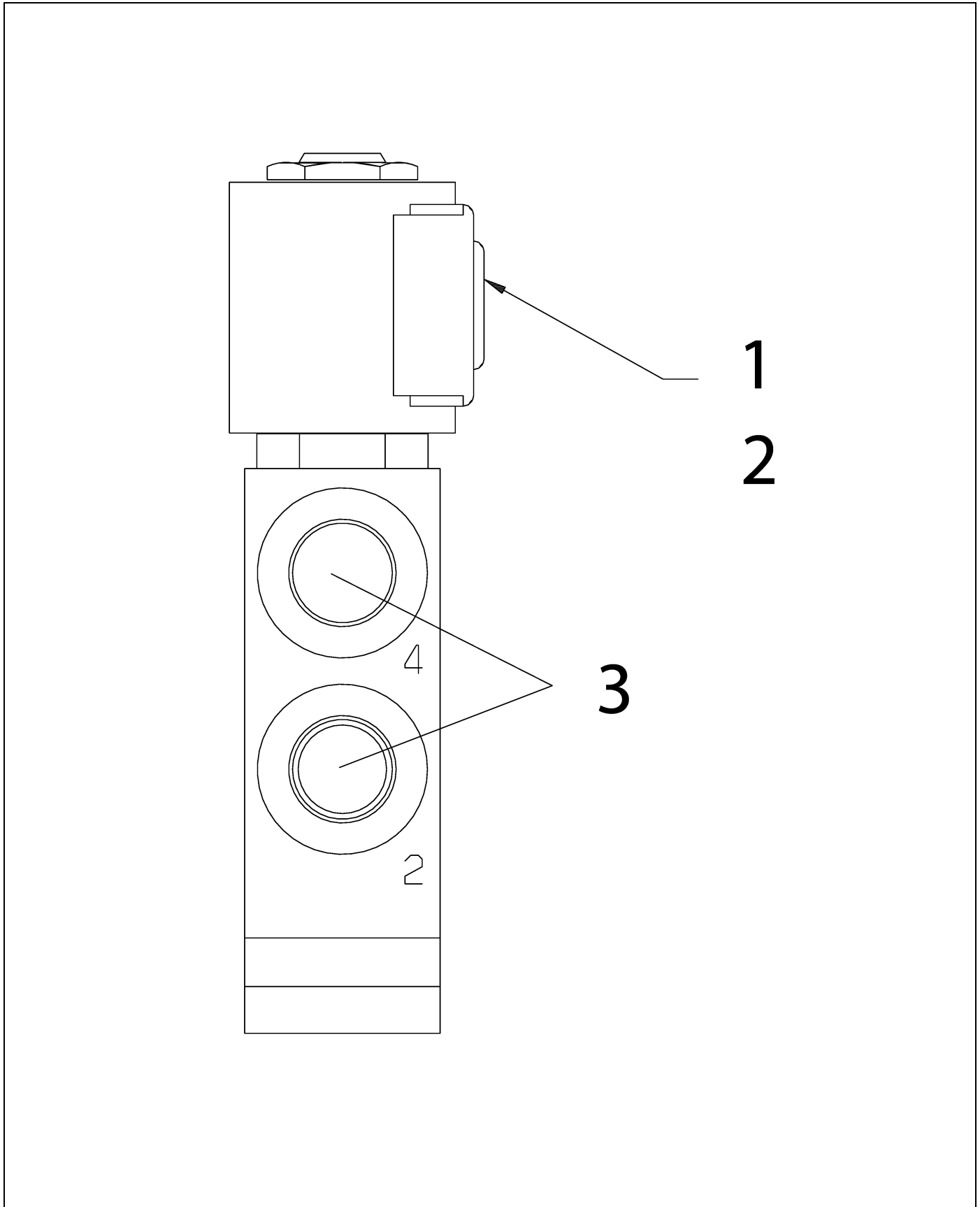
VALVE-PRIORITY, OLS 80,80 L/MIN



120959.tif

VALVE-PRIORITY,OLS 80,80 L/MIN

ITEM	PART #	QTY	DESCRIPTION	COMMENTS
0	AG727672	1	INDICATOR / ELECTRICAL	
1	AG133559	1	INTERNAL PP-PLUG	
2	AG133560	2	O-RING	
3	AG133561	1	ORIFICE SCREW (PP)	
4	NS	-	NON-SERVICEABLE PART	
5	NS	-	NON-SERVICEABLE PART	
6	NS	-	NON-SERVICEABLE PART	
7	AG133562	1	SPRING 7 BAR	
8	AG133563	1	EXTERNAL LS PLUG 7/16-20 UNF	

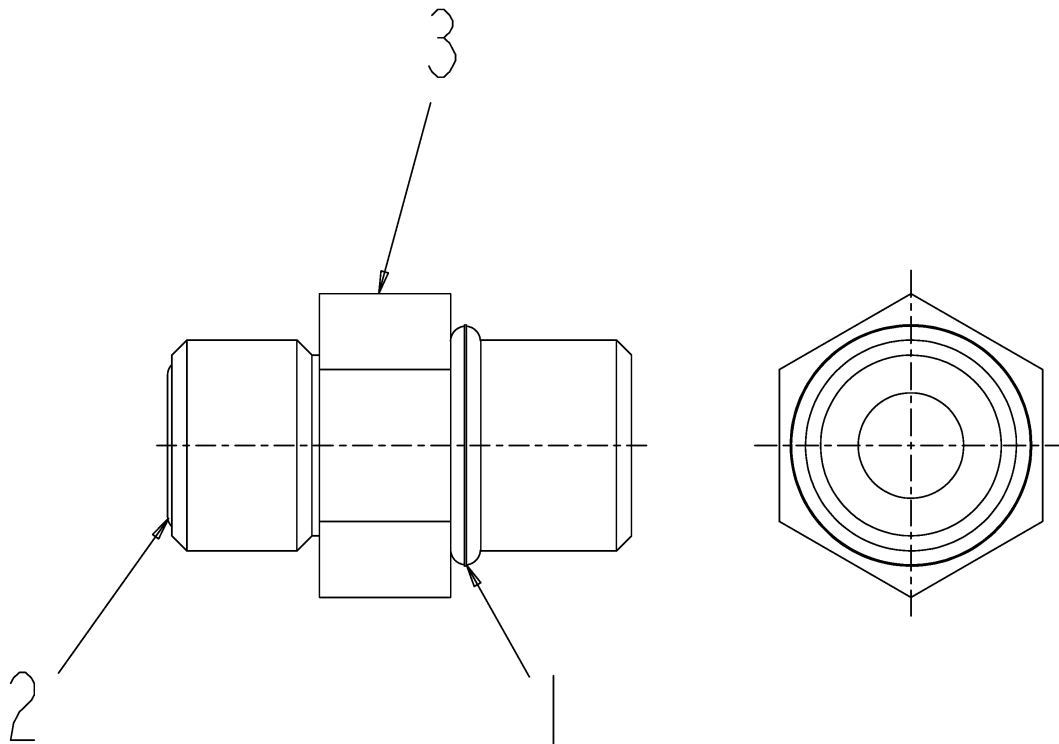


328478-B.TIF

VALVE-HYD,LADDER CONT

ITEM	PART #	QTY	DESCRIPTION	COMMENTS
1	AG718058	1	CARTRIDGE- 4 POSITION, 2 WAY	
2	AG522976	1	COIL-HYD,08,DIODE,MP	
3	AG520434	2	PLATE-ORIFICE,2 WAY,THREADED	

CONNECTOR AS-STR-6STOR-40ORFS

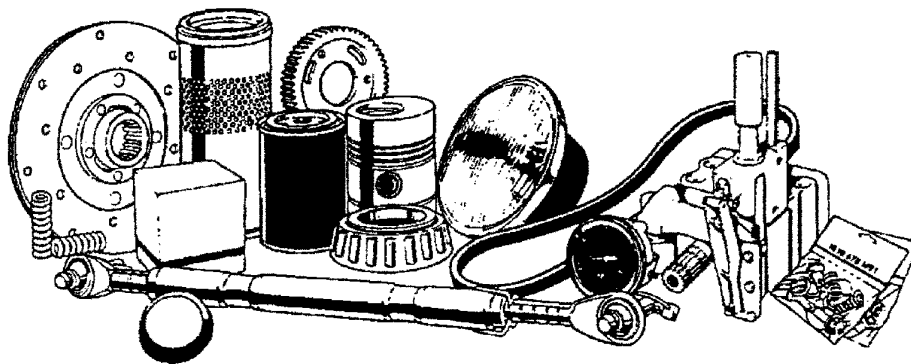


400630X1-01-.TIF

CONNECTOR AS-STR-6STOR-40ORFS

ITEM	PART #	QTY	DESCRIPTION	COMMENTS
1	400318X1	1	SEAL-O-RING 11.89IDXDIA1.98	
2	400377X1	1	SEAL-O-RING 11.23 ODX1.78 DIA	
3	400629X1	1	CONNECTOR-STR-6STOR-4ORFS	

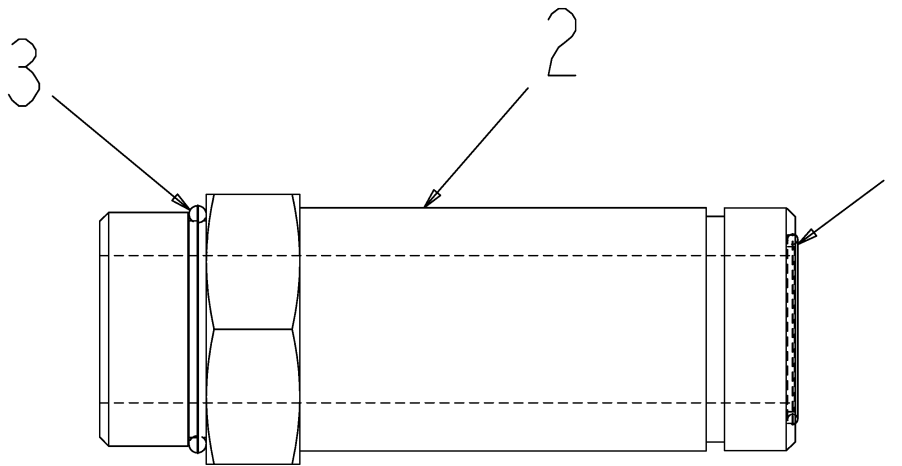
**Please refer to the
Bill Of Material
on the opposite page
for related Installations,
Assemblies, or Parts**



400650X1-02-R163-.tif

ELBOW AS.-90DEG 4STOR X 4ORFS

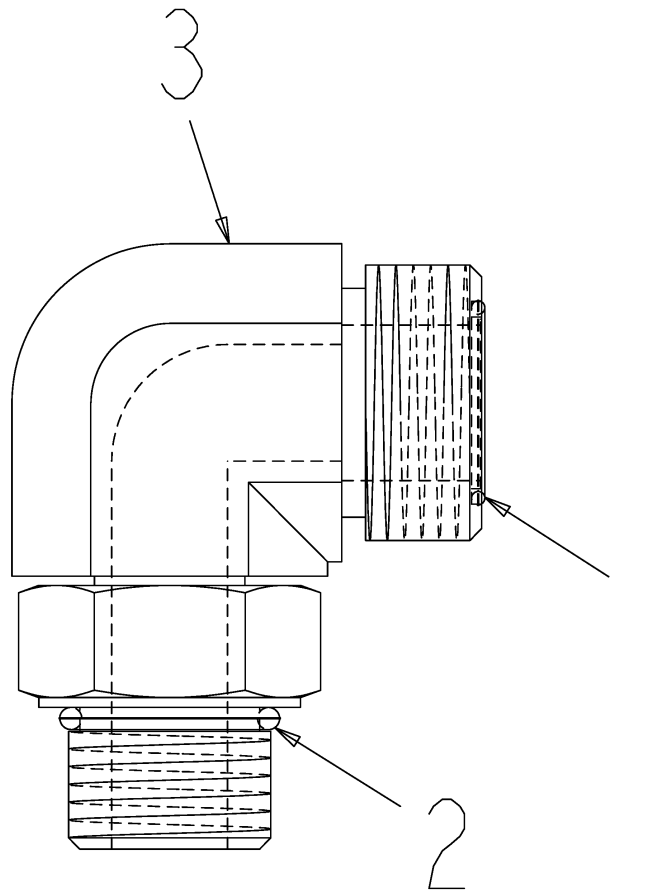
ITEM	PART #	QTY	DESCRIPTION	COMMENTS
1	CH6V-8628	1	ELBOW-90 DEG 4STOR X 4ORFS	
2	400361X1	1	SEAL-O-RING 8.92 IDX1.83 DIA	
3	400377X1	1	SEAL-O-RING 11.23 ODX1.78 DIA	



401011X1-01-M718-.TIF

ADAP ASM-LONG,-20MOR X -200RFS

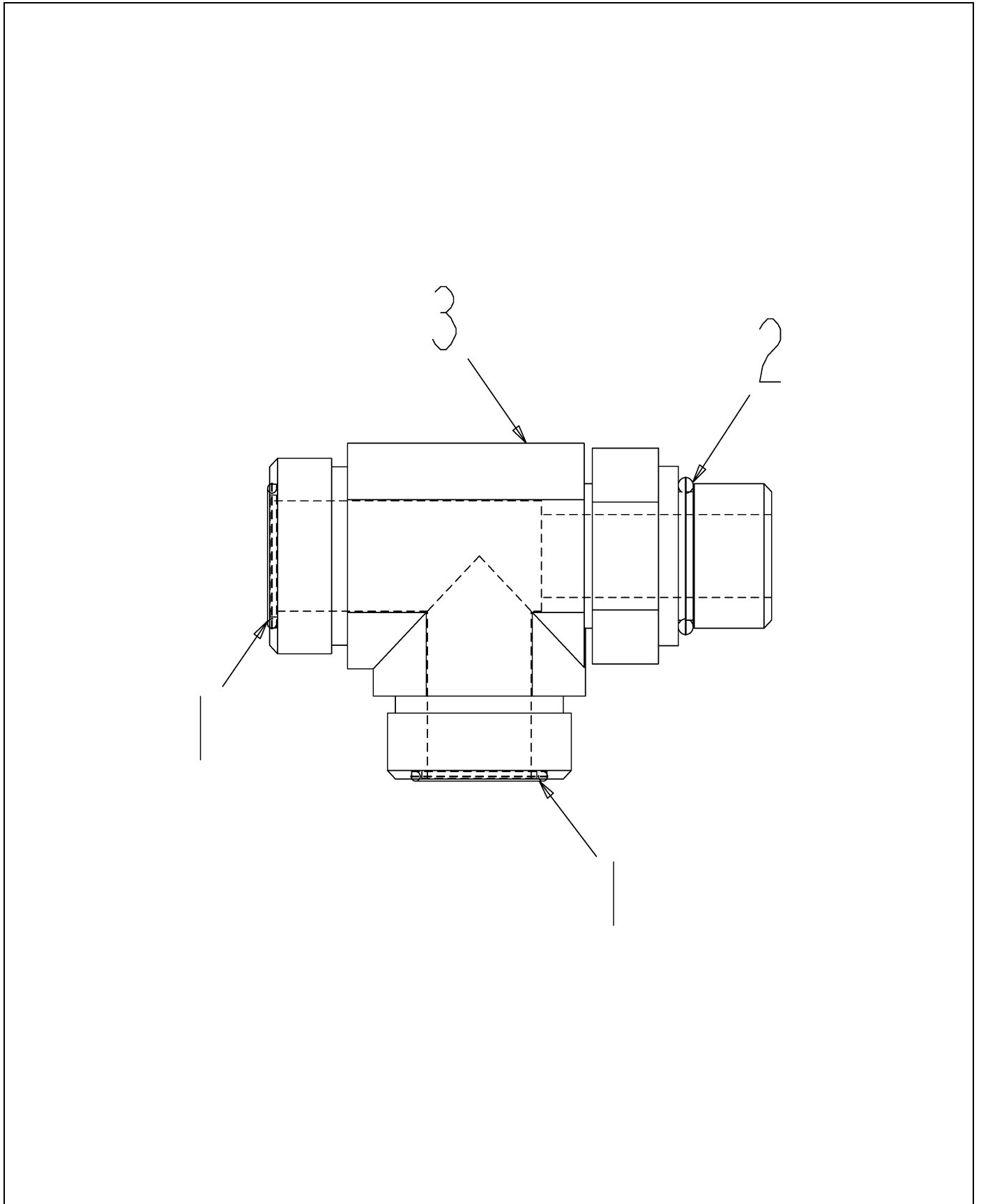
ITEM	PART #	QTY	DESCRIPTION	COMMENTS
1	400365X1	1	SEAL-O-RING 33.57 ODX1.78 DIA	
2	401010X1	1	ADAP-LONG,-20MOR X -200RFS	
3	CH2S-4078	1	SEAL-O-RING 37.46IDX3DIA	



401013X1-01-M718-.TIF

ELBOW ASM-90D-12MORX-160RFS

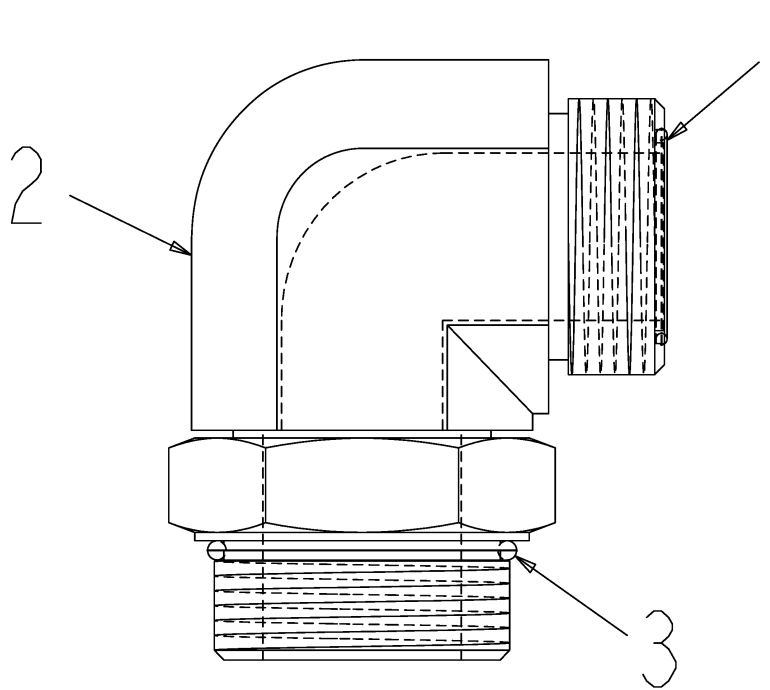
ITEM	PART #	QTY	DESCRIPTION	COMMENTS
1	400123X1	1	SEAL-O RING-27.22ODX1.78 DIA	
2	400416X1	1	SEAL-O-RING 23.47IDX2.95DIA	
3	401012X1	1	ELBOW-90D,-12MOR X -160RFS	



401015X1-01-M718-.TIF

TEE ASM-RUN,-12MORX-160RFS

ITEM	PART #	QTY	DESCRIPTION	COMMENTS
1	400123X1	2	SEAL-O RING-27.22ODX1.78 DIA	
2	400416X1	1	SEAL-O-RING 23.47IDX2.95DIA	
3	401014X1	1	TEE-RUN, -12MOR X -160RFS	

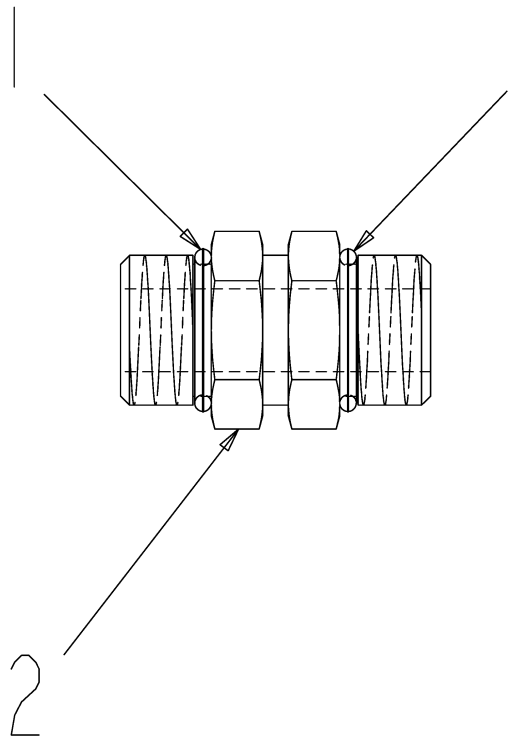


401021X1-01-M718-.TIF

ELBOW ASM-90D,-24MOR X -200RFS

ITEM	PART #	QTY	DESCRIPTION	COMMENTS
1	400365X1	1	SEAL-O-RING 33.57 ODX1.78 DIA	
2	401020X1	1	ELBOW-90D,-24MOR X -200RFS	
3	CH6K-6307	1	SEAL-O RING 43.69 IDX3DIA	

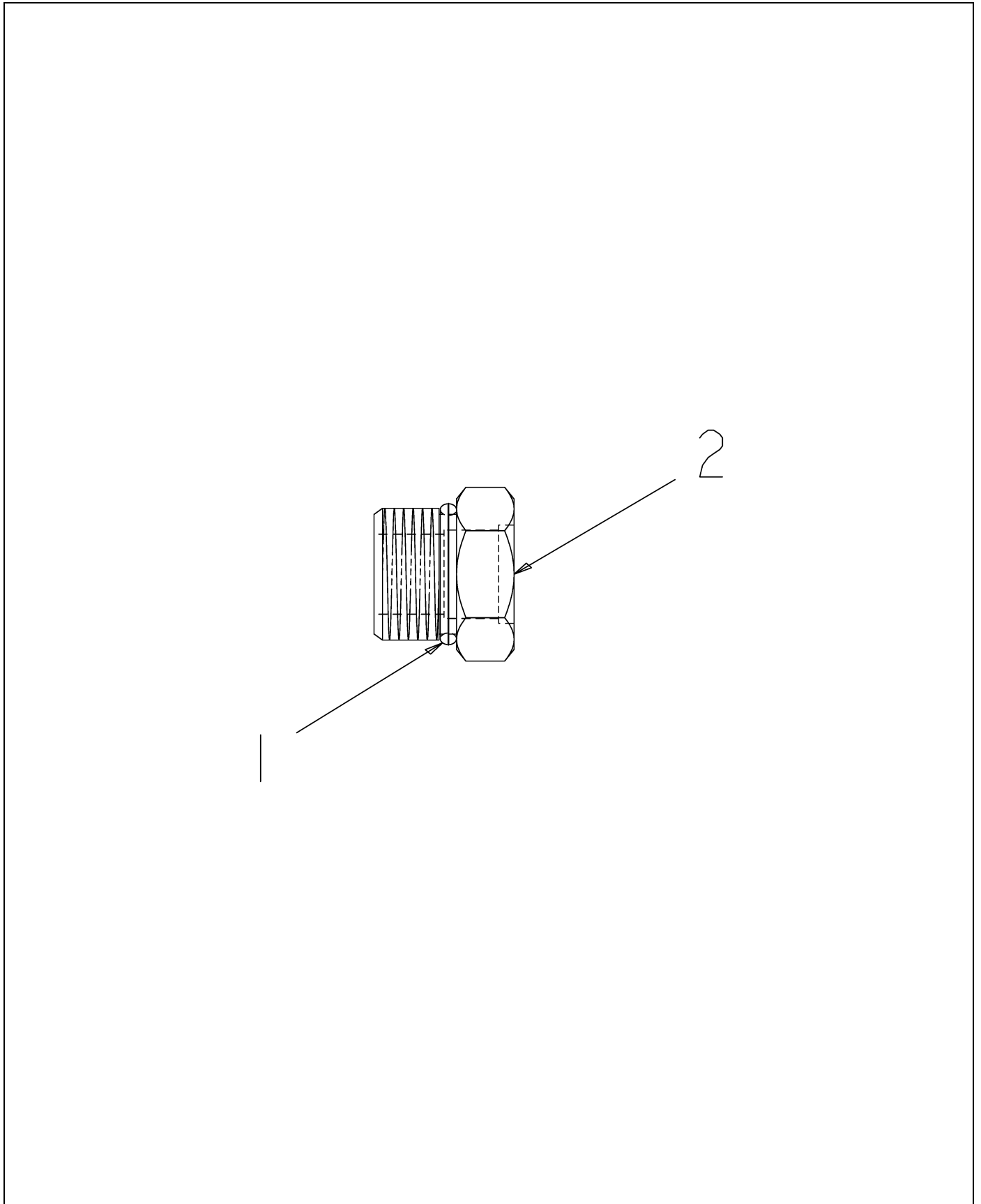
UNION ASM,-10 STOR X-10 STOR



401255X1-02-N846-.TIF

UNION ASM,-10 STOR X-10 STOR

ITEM	PART #	QTY	DESCRIPTION	COMMENTS
1	400319X1	2	SEAL-O-RING 19.18IDX DIA2.46	
2	401254X1	1	UNION,-10 STOR X-10 STOR	

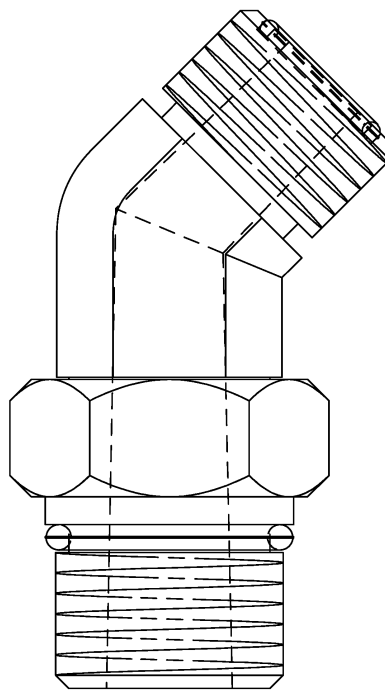


401257X1-02-N846-.TIF

ADAP ASM,-16STOR X -10FEM STOR

ITEM	PART #	QTY	DESCRIPTION	COMMENTS
1	400376X1	1	SEAL-O-RING 29.74 IDX2.95 DIA	
2	401256X1	1	ADAPTER,-16STOR X -FEM STOR	

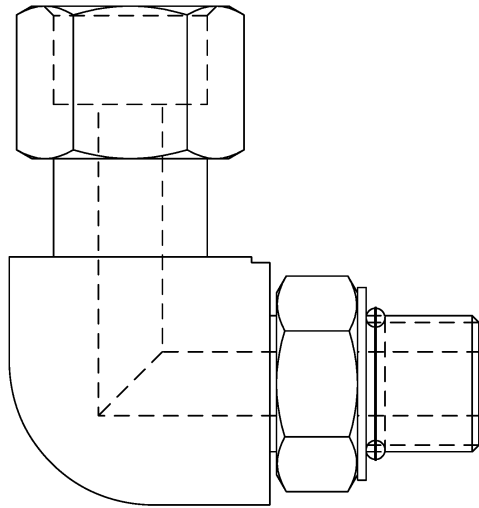
ELBOW ASM-45D,-10MOR X-8ORFS



401259X1-01-N308-.TIF

ELBOW ASM-45D,-10MOR X-8ORFS

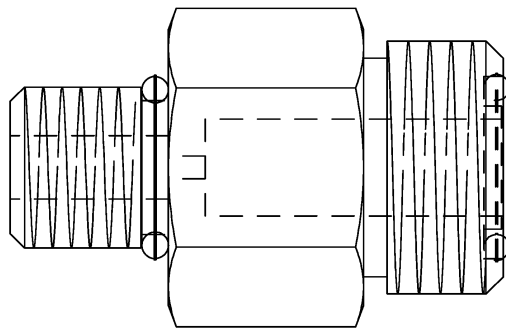
ITEM	PART #	QTY	DESCRIPTION	COMMENTS
1	400319X1	1	SEAL-O-RING 19.18IDXDIA2.46	
2	401258X1	1	ELBOW-45D,-10MOR X-8ORFS	
3	CH6V-8398	1	SEAL-O-RING-16.03ODX1.78DIA	



401263X1-01-N308-.TIF

ELBOW AS-90D 6STORX6 ORFS SWVL

ITEM	PART #	QTY	DESCRIPTION	COMMENTS
1	400318X1	1	SEAL-O-RING 11.89IDXDIA1.98	
2	CH8T-0788	1	ELBOW-90DEG 6STORX6 ORFS SWVL	

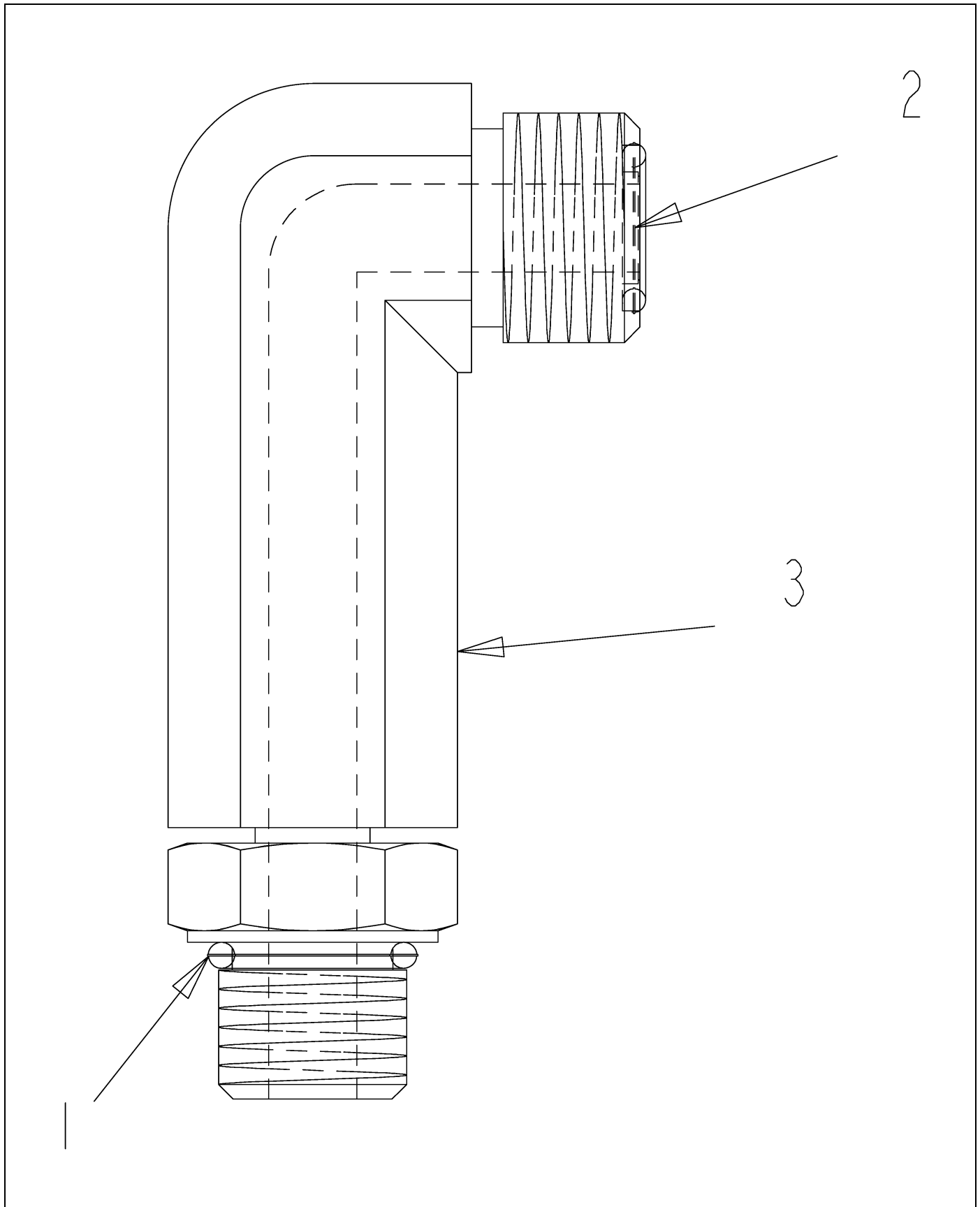


401265X1-01-N308-.TIF

ADP AS-RST,-04STORX-06ORFS.062

ITEM	PART #	QTY	DESCRIPTION	COMMENTS
1	400361X1	1	SEAL-O-RING 8.92 IDX1.83 DIA	
2	400378X1	1	SEAL-O-RING 12.83 ODX1.78 DIA	
3	401264X1	1	ADAP-RST,-04STORX-06ORFS,.062	

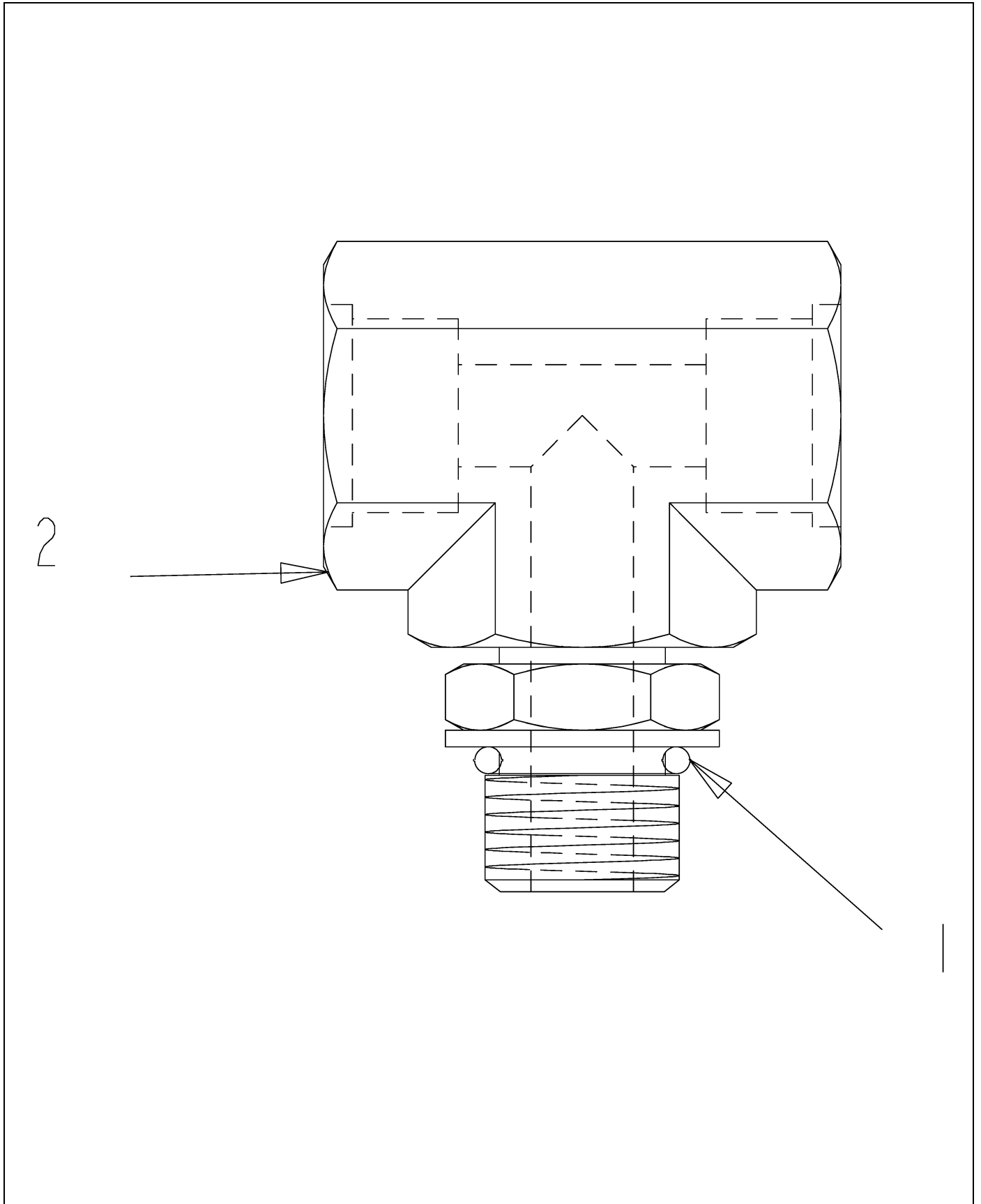
ELBOW ASM-90L,-06STOR X-06ORFS



401293X1-01-N308-.TIF

ELBOW ASM-90L,-06STOR X-06ORFS

ITEM	PART #	QTY	DESCRIPTION	COMMENTS
1	400318X1	1	SEAL-O-RING 11.89IDXDIA1.98	
2	400378X1	1	SEAL-O-RING 12.83 ODX1.78 DIA	
3	401340X1	1	ELBOW-90L,-06STOR X-06ORFS	

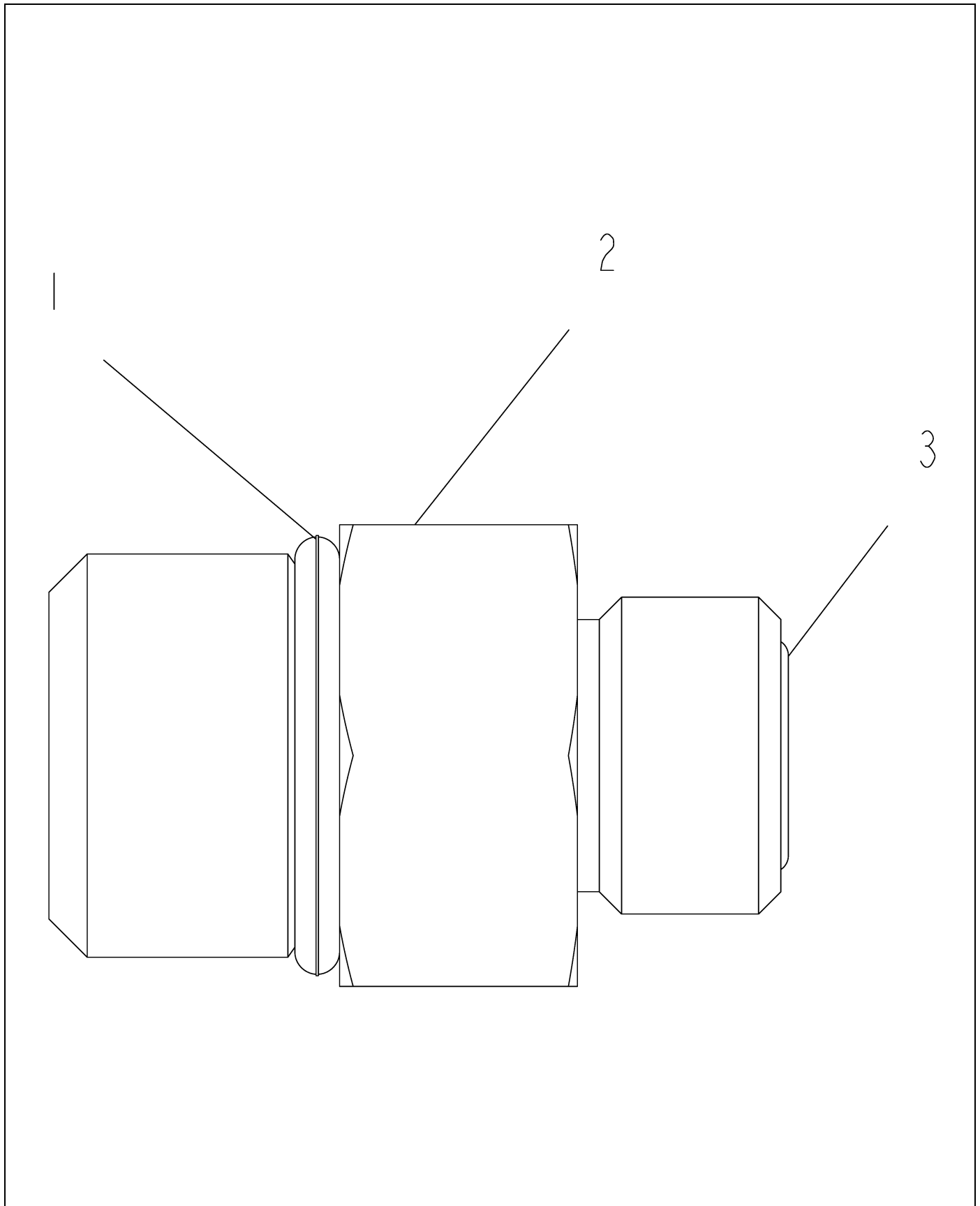


401338X1-01-N308-.TIF

TEE-AS-BR,-6 STOR X-6 FEM STOR

ITEM	PART #	QTY	DESCRIPTION	COMMENTS
1	400318X1	1	SEAL-O-RING 11.89IDXDIA1.98	
2	401337X1	1	TEE-BR,-06 STOR X-6 FEM STOR	

CONNECTOR AS-6ORFSX10STOR

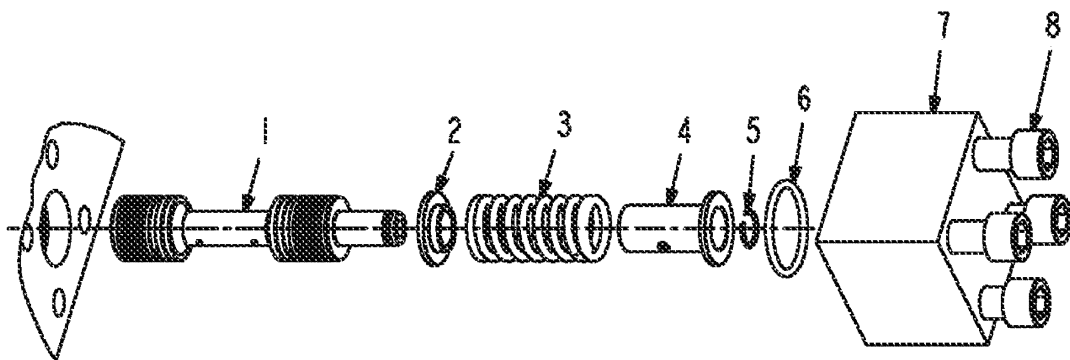


500533D1-01-.TIF

CONNECTOR AS-6ORFSX10STOR

ITEM	PART #	QTY	DESCRIPTION	COMMENTS
1	400319X1	1	SEAL-O-RING 19.18IDXDIA2.46	
2	500534D1	1	CONNECTOR-O-RING PORT TO ORFS	
3	400378X1	1	SEAL-O-RING 12.83 ODX1.78 DIA	

BLOCK-HYD LOOP FLUSH

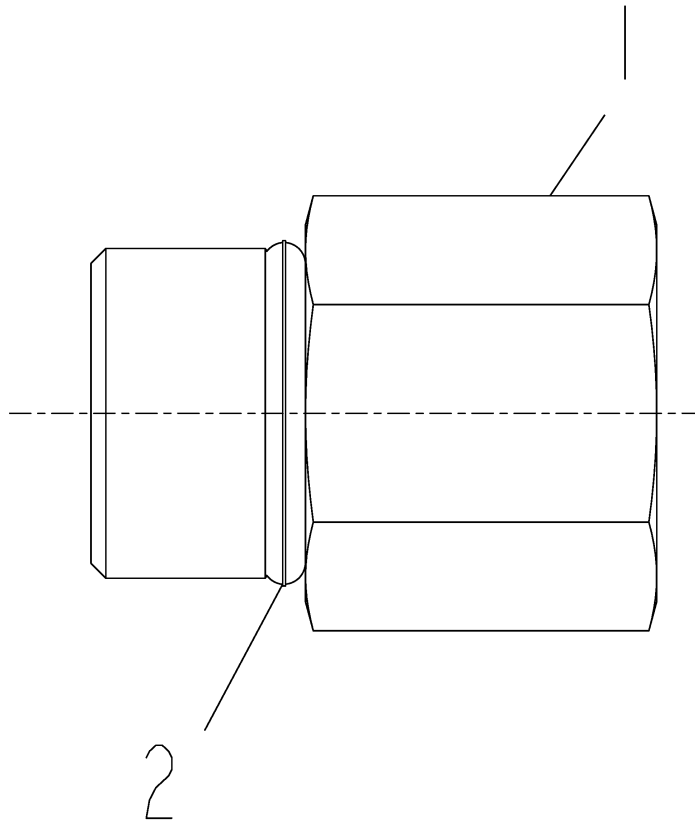


508770D1-02-N960-.TIF

BLOCK-HYD LOOP FLUSH

ITEM	PART #	QTY	DESCRIPTION	COMMENTS
1	401268X1	1	SPOOL	
2	401269X1	1	RETAINER-SHORT	
3	401270X1	1	SPRING	
4	401271X1	1	RETAINER-TALL	
5	401272X1	1	CLIP	
6	401273X1	1	O-RING,28.24IDX2.62MM,BUNA-N90	
7	401274X1	1	CAP	
8	401275X1	4	SHCS, ZINC PLATED	

ADAPTER AS-6 STOR X 4 STOR

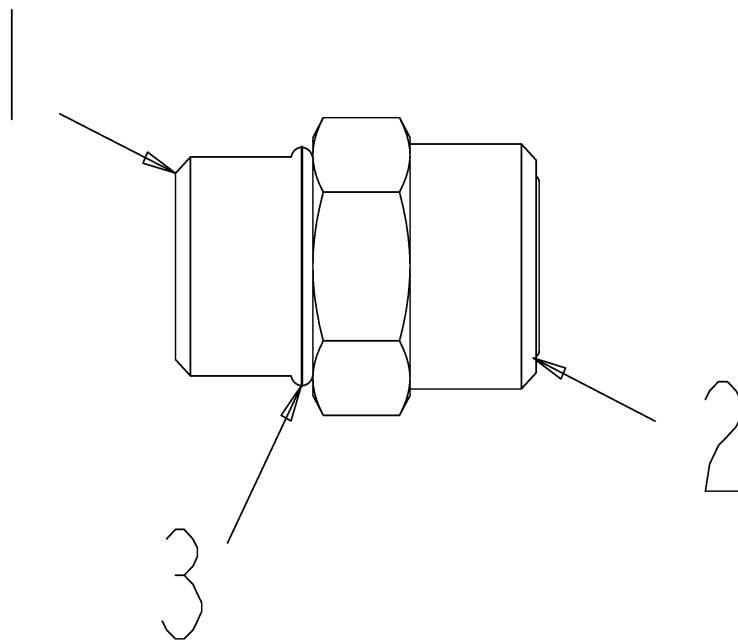


CH148-8305-01-.TIF

ADAPTER AS-6 STOR X 4 STOR

ITEM	PART #	QTY	DESCRIPTION	COMMENTS
1	CH5P-9617	1	ADAPTER-6 STOR X 4 STOR	
2	400318X1	1	SEAL-O-RING 11.89IDXDIA1.98	

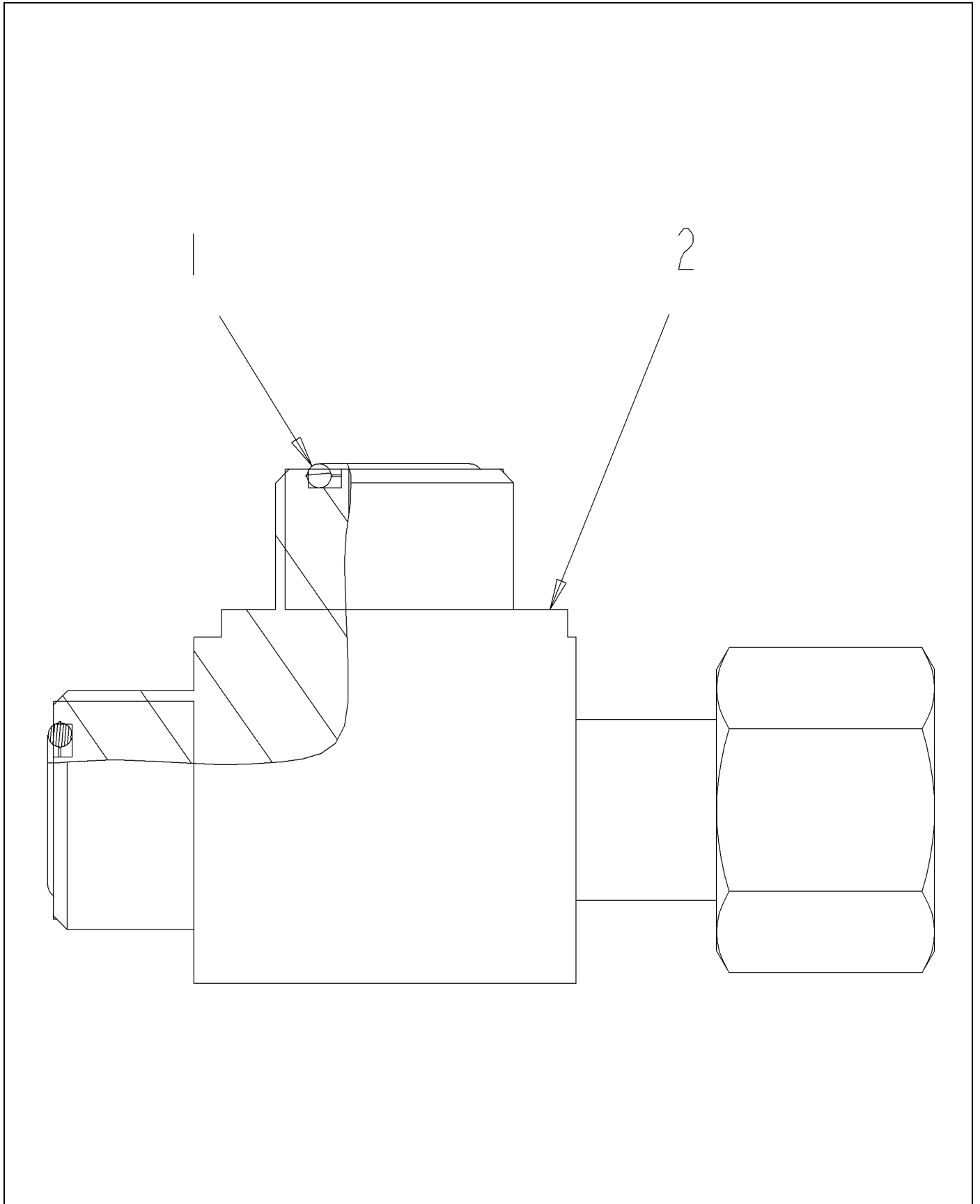
CONNECTOR AS-12 ORFSX 12STOR



CH148-8327-01-.TIF

CONNECTOR AS-12 ORFSX 12STOR

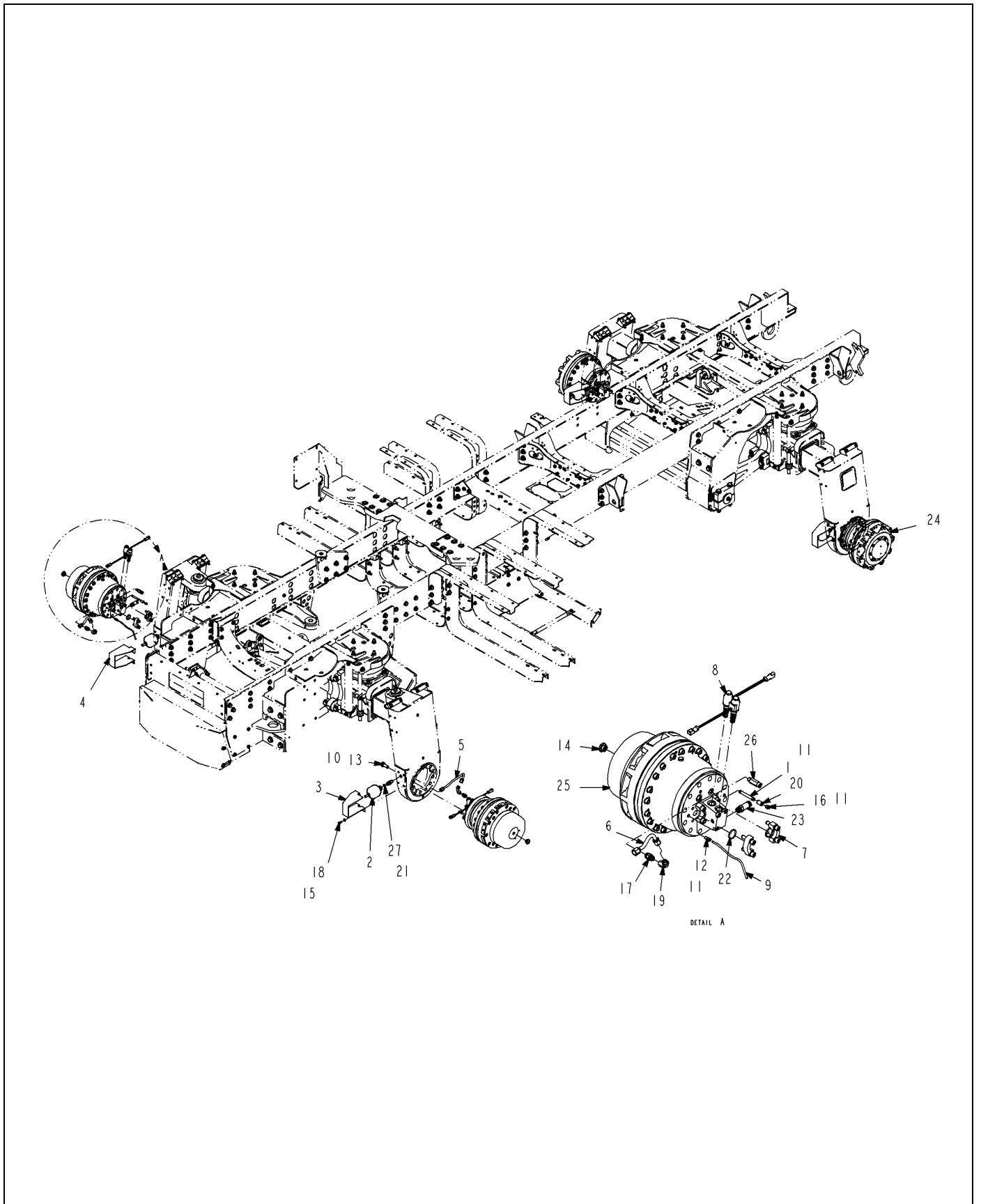
ITEM	PART #	QTY	DESCRIPTION	COMMENTS
1	CH6V-8637	1	CONNECTOR-12 ORFSX 12STOR	
2	400366X1	1	SEAL-O-RING 22.5 ODX1.78 DIA	
3	400416X1	1	SEAL-O-RING 23.47IDX2.95DIA	



CH148-8433-01-.TIF

TEE AS-6 ORFSX3

ITEM	PART #	QTY	DESCRIPTION	COMMENTS
1	400378X1	2	SEAL-O-RING 12.83 ODX1.78 DIA	
2	CH6V-9836	1	TEE-6 ORFS X 3	

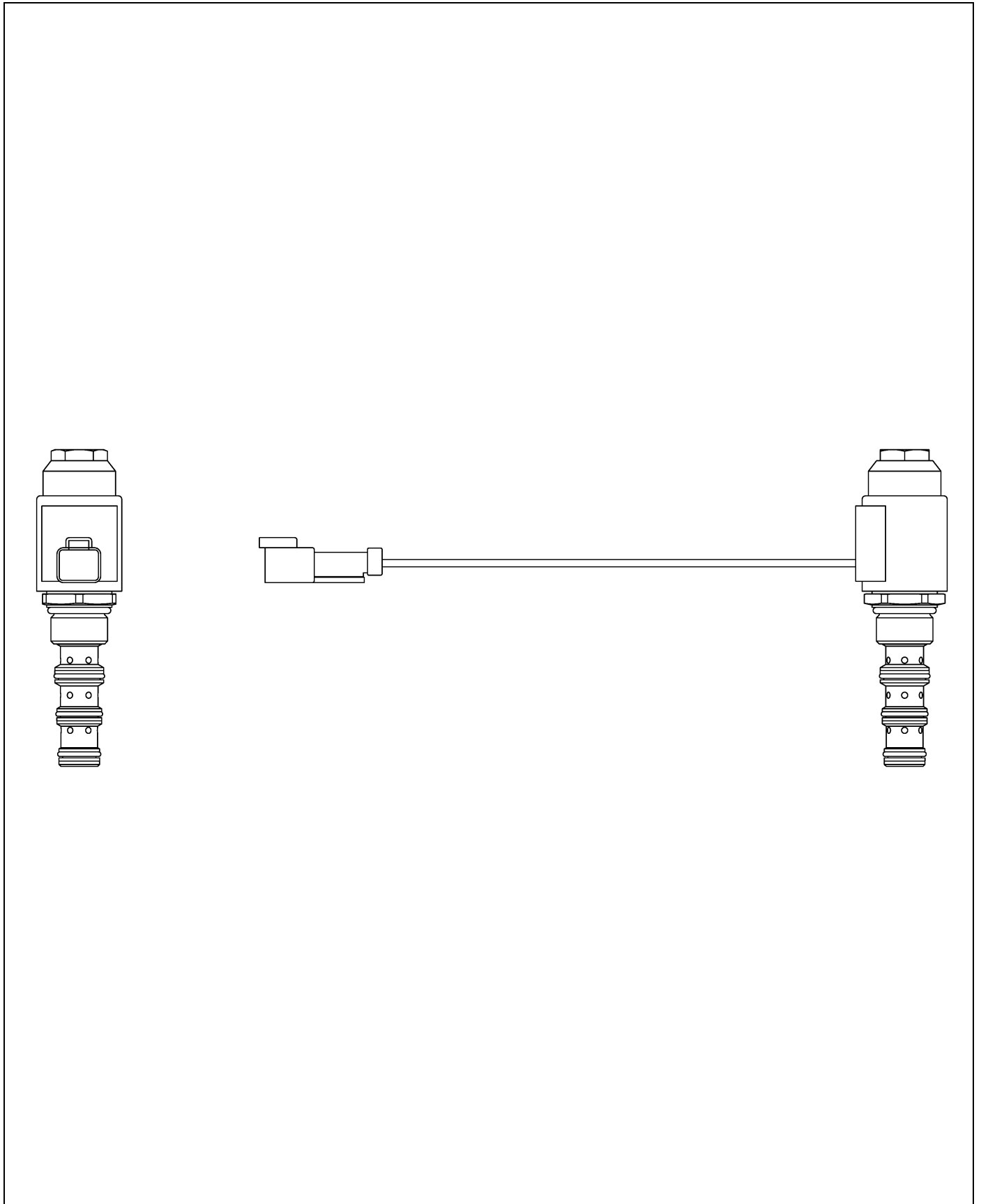


509905D1-04-R383-.TIF

HYD INSTL-WHEEL MOTORS

ITEM	PART #	QTY	DESCRIPTION	COMMENTS
1	AG056441	4	NIPPLE,EXTRA HEAVY .125X3.00	
2	AG130461	4	ACCUMULATOR-08FB,21 IN,30PSI	
3	AG130481	2	BRKT-ACCUMULATOR,1264,LEFT	
4	AG130482	2	BRKT-ACCUMULATOR,1264,RIGHT	
5	AG134679	2	TUBE-HYD,ACCUMULATOR,LH	
6	AG134680	2	TUBE-HYD,ACCUMULATOR,RH	
7	AG136629	4	KIT-SPLIT FLH,-16CODE62,METRIC	SEE PAGE 5-71
8	AG136630	8	VALVE ASM-SHIFT,WHEEL MOTOR	SEE PAGE 5-70
9	AG511021	-	TUBING 0.25 OD NYLON BLACK [BULK: 5 FT]	
10	AG512885	AR	LOCTITE ADHESIVE SEALANT BLUE	
11	AG513916	AR	LOCTITE HYD SEALANT BROWN	
12	AG518421	4	COUPLING .25 AIR QUICK METAL	
13	AG522364	48	BOLT-M20-1.5X45.0CL10.9,ZN,HHD	
14	AG524574	2	BREATHER-WHEEL MOTOR	
15	AG550191	12	WASHER 0.37 LK ZN REG	
16	AG550280	-	FITTING LUB.12-27NPTFX0.68	
17	AG551139	4	ADAP STR 0.50MO-R X 0.50 MJIC	[A]
18	AG551503	12	BOLT 0.37-16NCX 0.75 G5 ZN HHD	
19	AG555169	4	ELBOW -8FJS90 X -8MJ	
20	AG556475	4	COUPLING 0.12NPS PIPE STEEL PL	
21	AG562229	4	ADAP STR-8MJBHX-8MJ	
22	AG609418	4	O-RING,32.92IDX3.53MM,BUNA-N90	
23	401009X1	4	ADAP ASM-LONG,-08MOR X -08ORFS	SEE PAGE 5-72
24	507867D1	2	MOTOR,BBC05,2271CC,3 SP,NO BRK	SEE PAGE 5-96
25	509916D1	2	MOTOR,BBC05,2271CC,4 SP,BRAKE	SEE PAGE 5-97
26	CH164-9869	2	CONNECTOR AS-6STOR X 6ORFS	
27	CH3K-0360	4	SEAL-O-RING 16.36IDX2.21DIA	
	FOOTNOTE [A]		AG713670-O-RING	

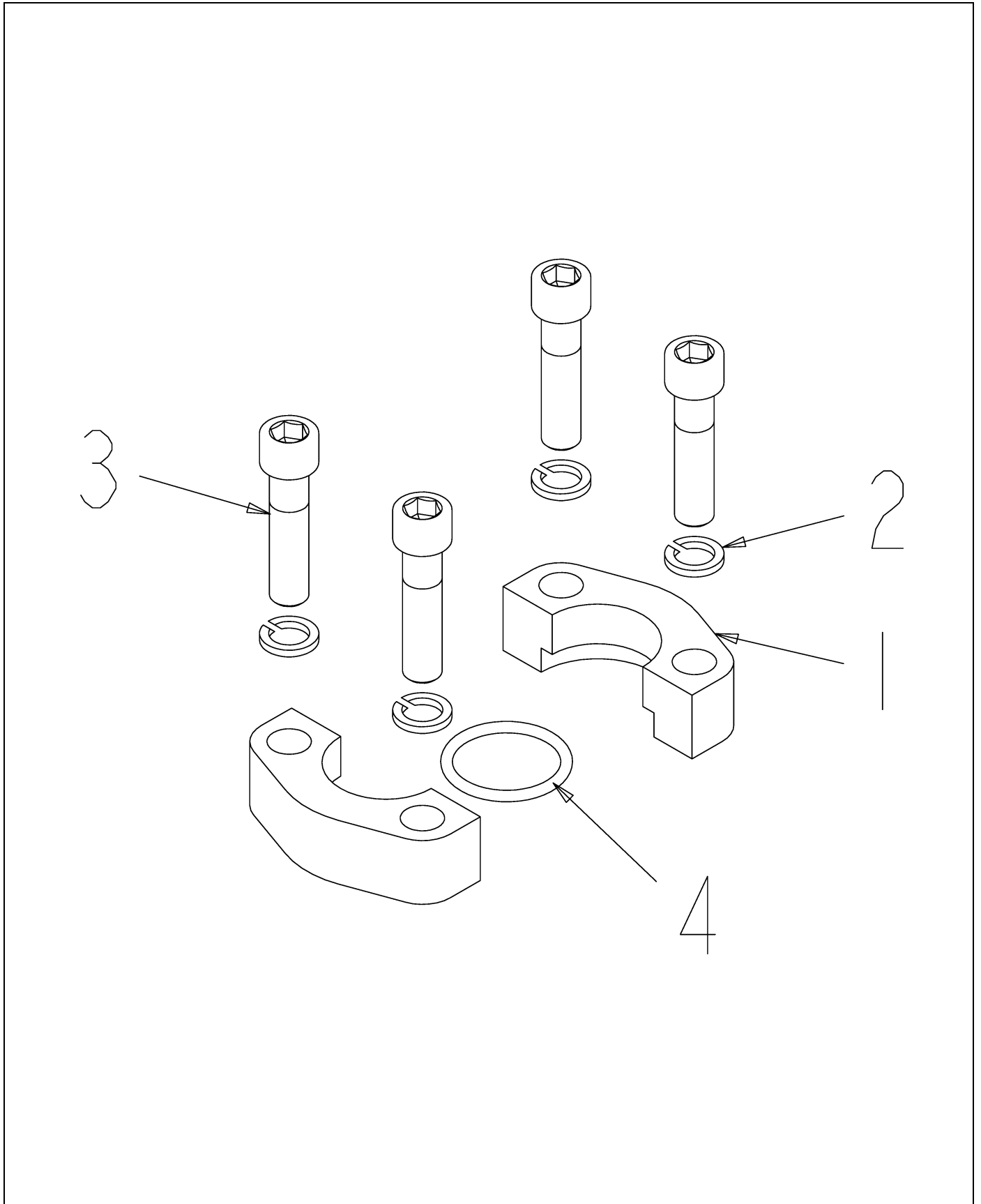
VALVE ASM-SHIFT,WHEEL MOTOR



136630-03-N118-.TIF

VALVE ASM-SHIFT,WHEEL MOTOR

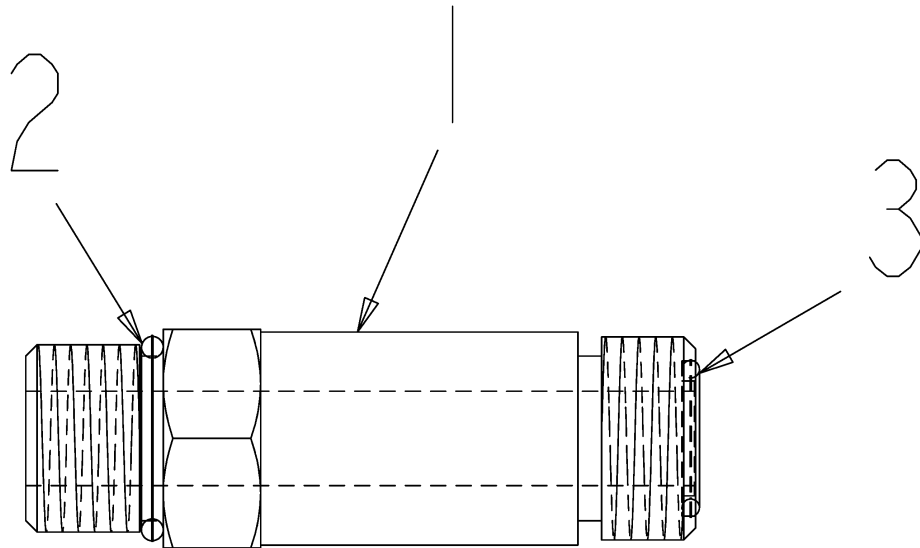
ITEM	PART #	QTY	DESCRIPTION	COMMENTS
0	AG136125	1	VALVE-SHIFT,WHEEL MOTOR	
0	AG136779	1	COIL,12 VDC,LEAD W/DEUTCH,08	
0	AG330116	1	KIT/SEAL	



136629-01-M631-.TIF

KIT-SPLIT FLH,-16CODE62,METRIC

ITEM	PART #	QTY	DESCRIPTION	COMMENTS
1	WR122574	2	FLANGE-SPLIT, CODE 62,-16,M12	
2	AG136402	4	WASHER-M12,LK,DIN 7980,ZN	
3	AG136403	4	SCR M12-1.75X25,ISO4762,12.9ZN	
4	AG609418	1	O-RING,32.92IDX3.53MM,BUNA-N90	

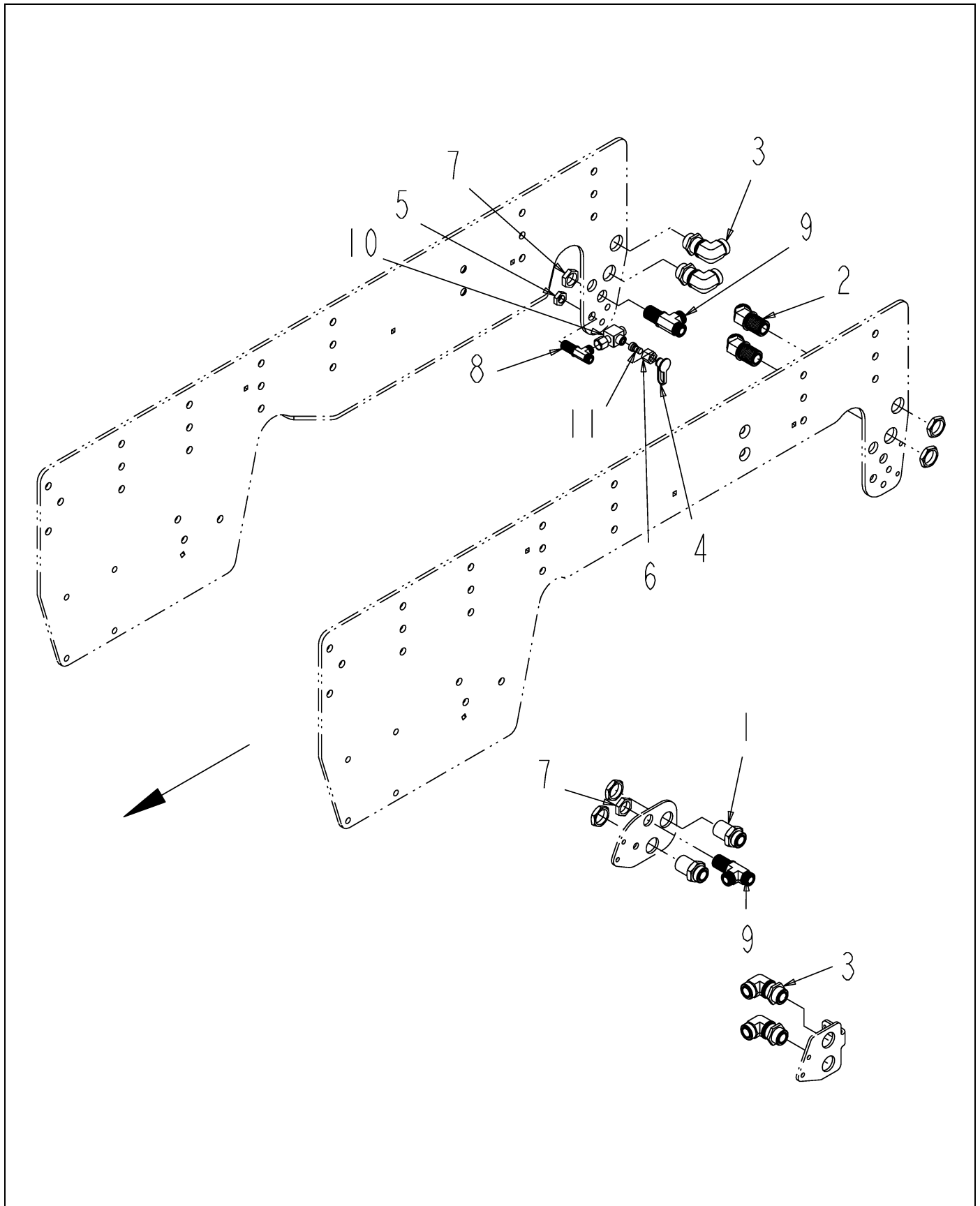


401009X1-01-M718-.TIF

ADAP ASM-LONG,-08MOR X -08ORFS

ITEM	PART #	QTY	DESCRIPTION	COMMENTS
1	401008X1	1	ADAP-LONG,-08MOR X -09ORFS	
2	CH3K-0360	1	SEAL-O-RING 16.36IDX2.21DIA	
3	CH6V-8398	1	SEAL-O-RING-16.03ODX1.78DIA	

HYD INSTL-BULKHEAD FITTINGS

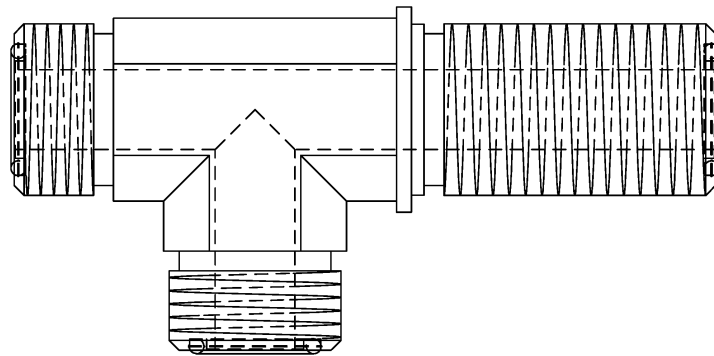


509910D1-02-N960-.TIF

HYD INSTL-BULKHEAD FITTINGS

ITEM	PART #	QTY	DESCRIPTION	COMMENTS
1	AG133222	2	UNION BLKHD-16ORFS	
2	AG133225	2	UNION BLKHD 45D-16ORFS	
3	AG521140	4	UNION BLKHD 90D-16ORFS	
4	400323X1	1	CAP-DUST 12.6 DIA -RUBBER	
5	400348X1	1	NUT-BULKHEAD 13/16-16	
6	400607X1	1	NUT-ORFS 13/16-16 PLATED	
7	400961X1	2	BULKHEAD NUT-12ORFS	
8	401211X1	1	TEE ASM-BLKHD, -8 ORFS	SEE PAGE 5-74
9	401213X1	2	TEE ASM-BLKHD, -12 ORFS	SEE PAGE 5-75
10	CH148-8444	1	TEE-SWIVEL 3X -8 ORFS	
11	CH8C-6416	1	NIPPLE AS-QUICK DISC -4 & ORNG	

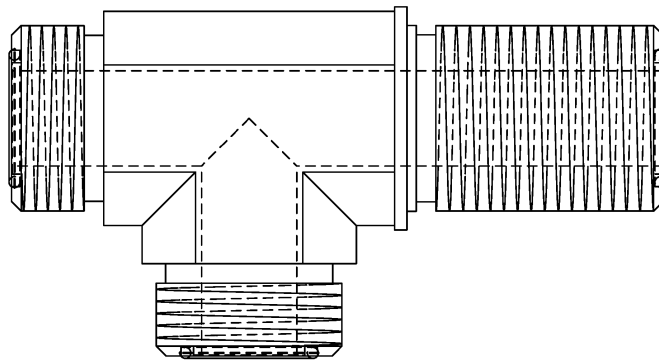
TEE ASM-BLKHD, -8 ORFS



401211X1-01-N154-.TIF

TEE ASM-BLKHD, -8 ORFS

ITEM	PART #	QTY	DESCRIPTION	COMMENTS
1	401212X1	1	TEE-BLKHD, -8 ORFS	
2	CH6V-8398	3	SEAL-O-RING-16.03ODX1.78DIA	

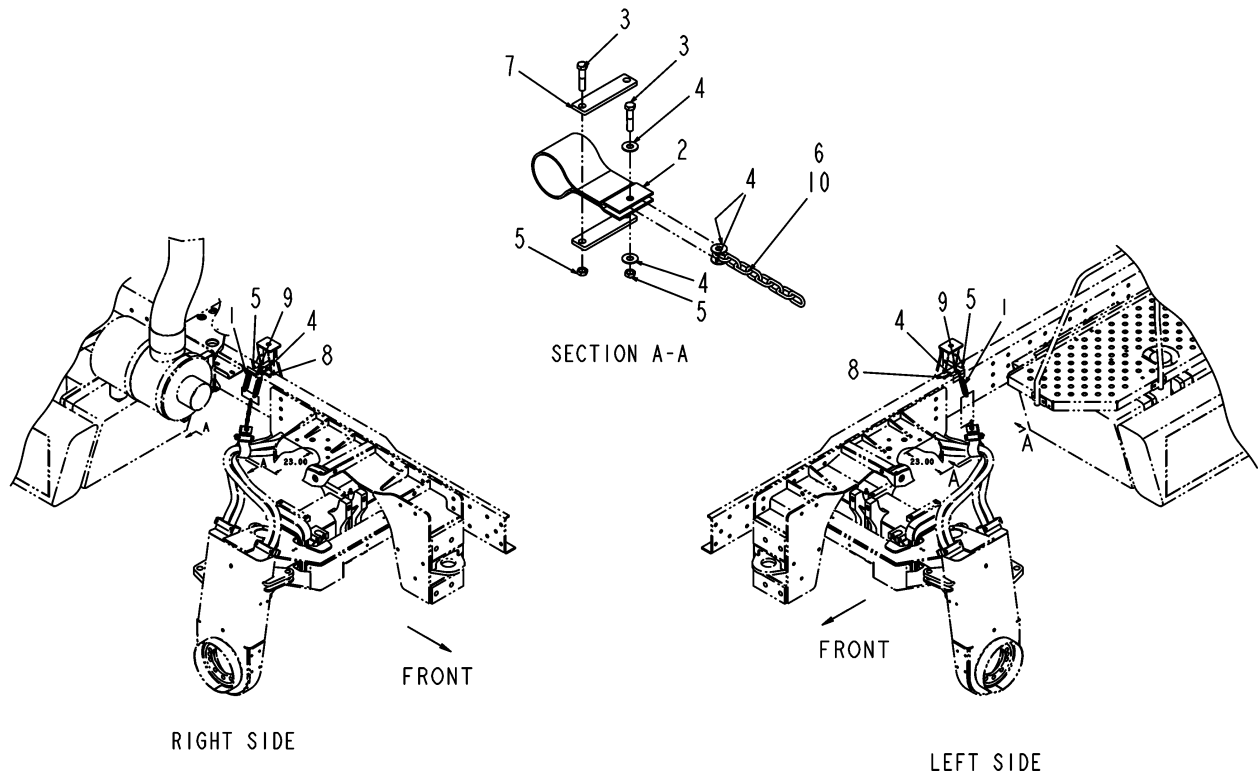


401213X1-01-N154-.TIF

TEE ASM-BLKHD, -12 ORFS

ITEM	PART #	QTY	DESCRIPTION	COMMENTS
1	400366X1	3	SEAL-O-RING 22.5 ODX1.78 DIA	
2	401214X1	1	TEE-BLKHD, -12 ORFS	

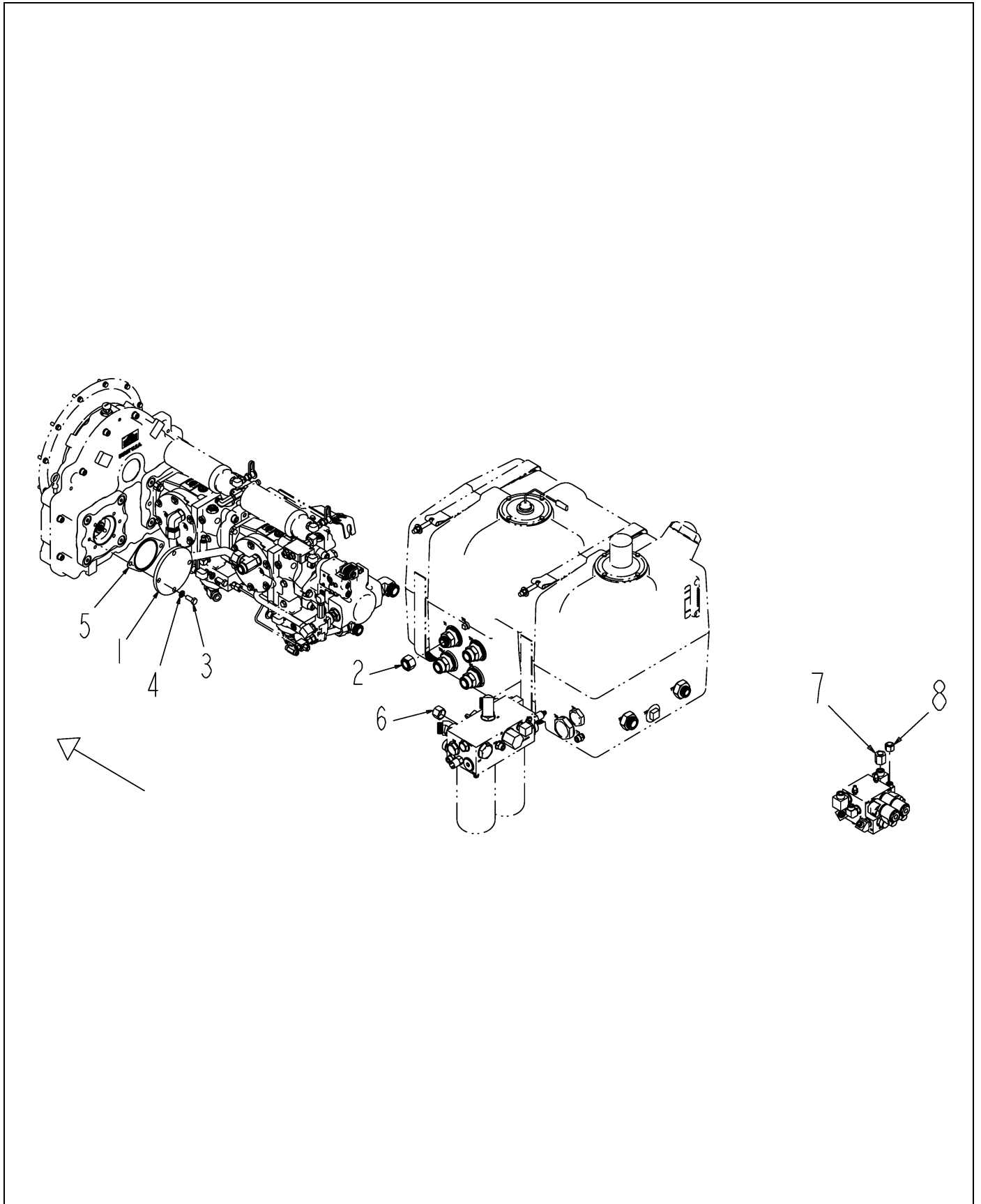
SPRT ASM-HOSE,DRIVE,FRONT



125252-C-L322-.TIF

SPRT ASM-HOSE,DRIVE,FRONT

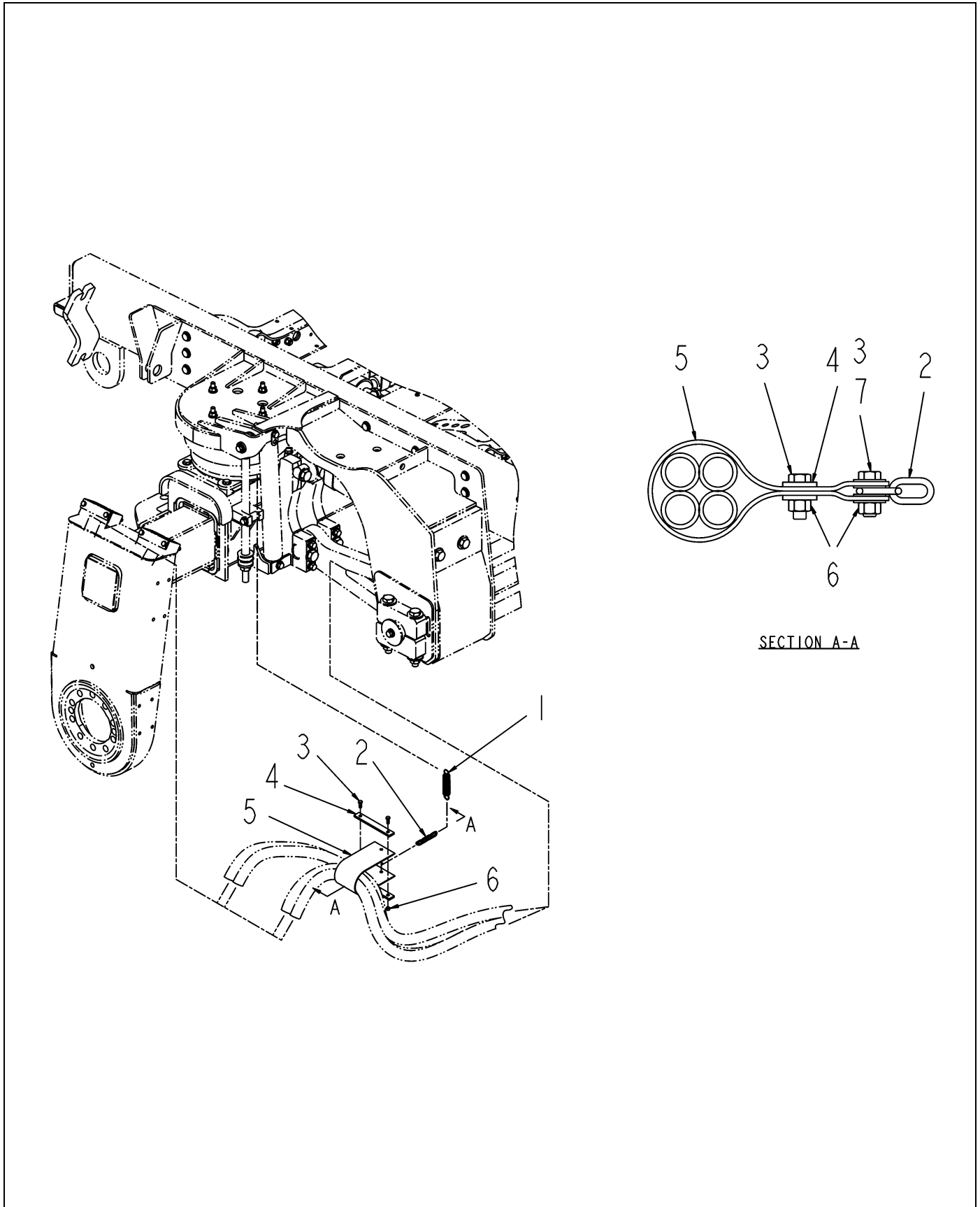
ITEM	PART #	QTY	DESCRIPTION	COMMENTS
1	AG517097	3	SPRING COIL EXTENSION	
2	AG238315	2	STRAP-HOSE HANGER	
3	AG515277	6	BOLT 0.37-16NCX 1.75 S.S. HHD	
4	AG562073	10	WASHER 0.37 FL SS REG TYPE-B	
5	AG515140	8	NUT 0.37-16NC HEX SS HVY NY	
6	AG114698	1	CHAIN HOLD-UP (2 LINKS)	
7	AG237961	4	PLATE-COVER	[A]
8	AG604167	2	BOLT 0.37-16NCX 1.25 S.S. HHD	
9	AG263132	2	WASHER-DOUBLE HOLE,.50	
10	AG215938	1	CHAIN 8 LINK	
	FOOTNOTE [A]		PLATE THAT COVER BOLTS - AG237959	



513132D1-01-N670-.TIF

HYD INSTL-DRY SYSTEM

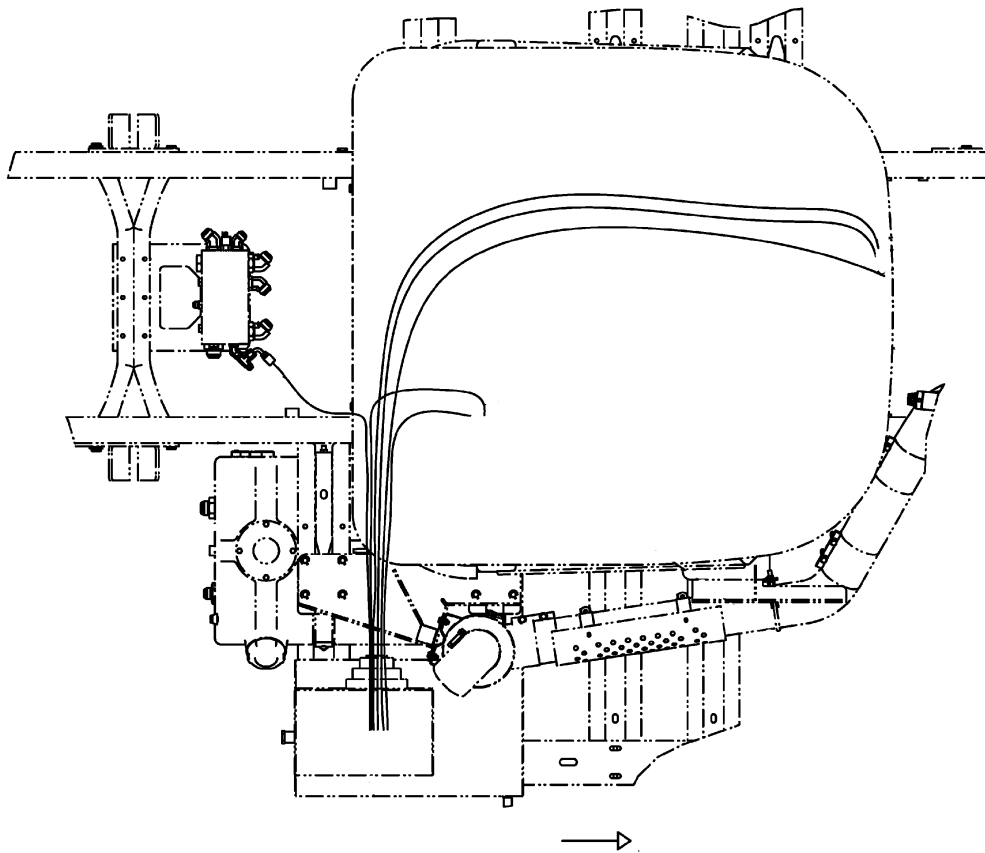
ITEM	PART #	QTY	DESCRIPTION	COMMENTS
1	AG328690	1	COVER-PUMP,B PAD	
2	AG519381	1	CAP ORFS -16	
3	AG550256	2	BOLT.50-13NCX1.25 G5 ZN HHD	
4	AG550264	2	WASHER 0.50 LK ZN REG	
5	AG714101	1	GASKET PUMP	[A]
6	400107X1	1	CAP AS 19.05 OD TUBE	
7	400645X1	1	CAP AS-12.7 OD-8 ORFS	
8	CH6V-9829	1	CAP AS-9.52 OD	
	FOOTNOTE [A]		COVER PLATE - AG106560	



130276-B-1.TIF

SUPPORT ASM-HOSE,DRIVE,REAR

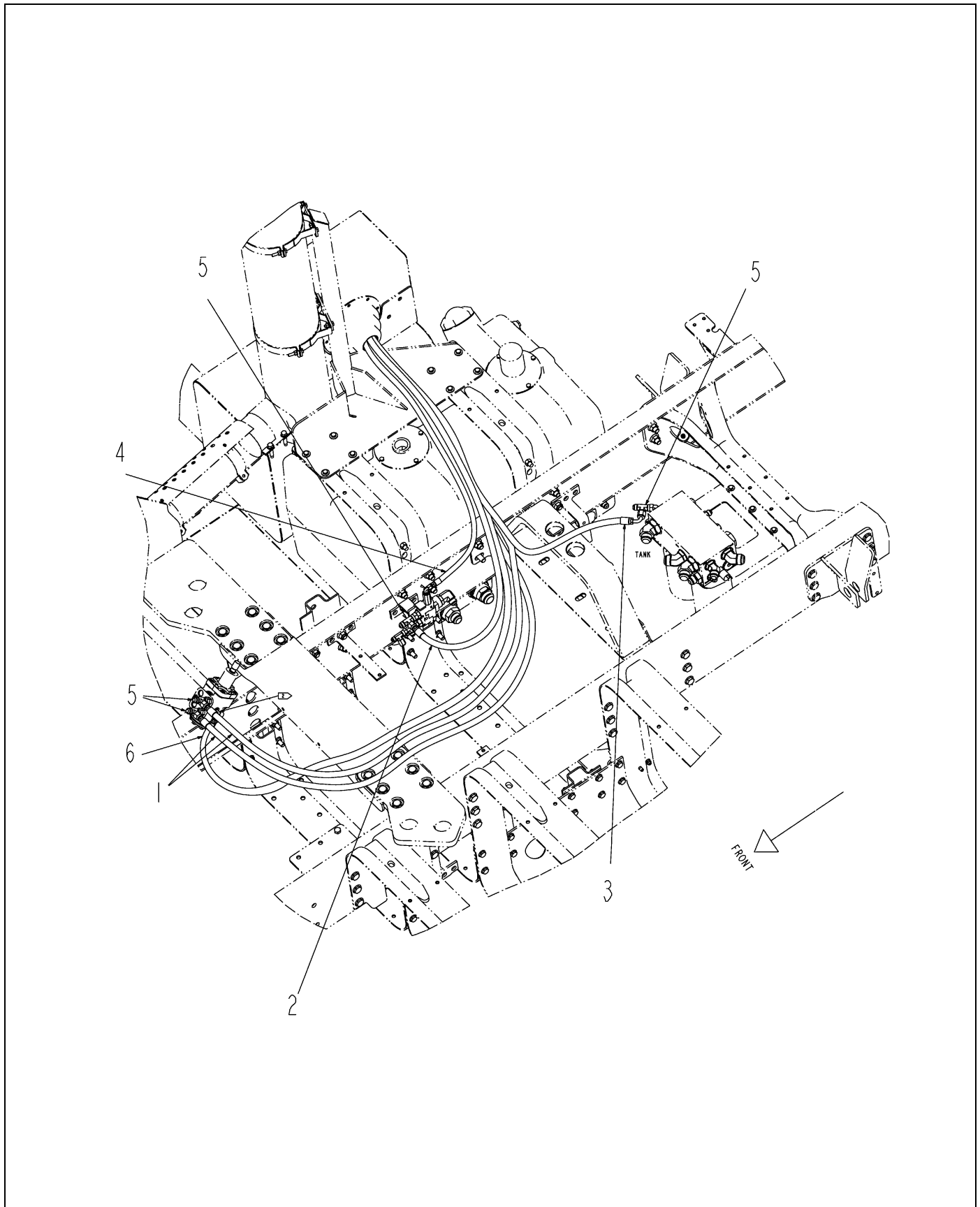
ITEM	PART #	QTY	DESCRIPTION	COMMENTS
1	AG517097	2	SPRING COIL EXTENSION	
2	AG140050	2	CHAIN PROOF COIL 0.18	
3	AG515277	6	BOLT 0.37-16NCX 1.75 S.S. HHD	
4	AG237961	4	PLATE-COVER	[A]
5	AG238315	2	STRAP-HOSE HANGER	
6	AG515140	6	NUT 0.37-16NC HEX SS HVY NY	
7	AG562073	8	WASHER 0.37 FL SS REG TYPE-B	
	FOOTNOTE [A]		PLATE THAT COVER BOLTS - AG237959	



135061-01-M367-01.tif

PLMB INSTL-STEERING,HYD

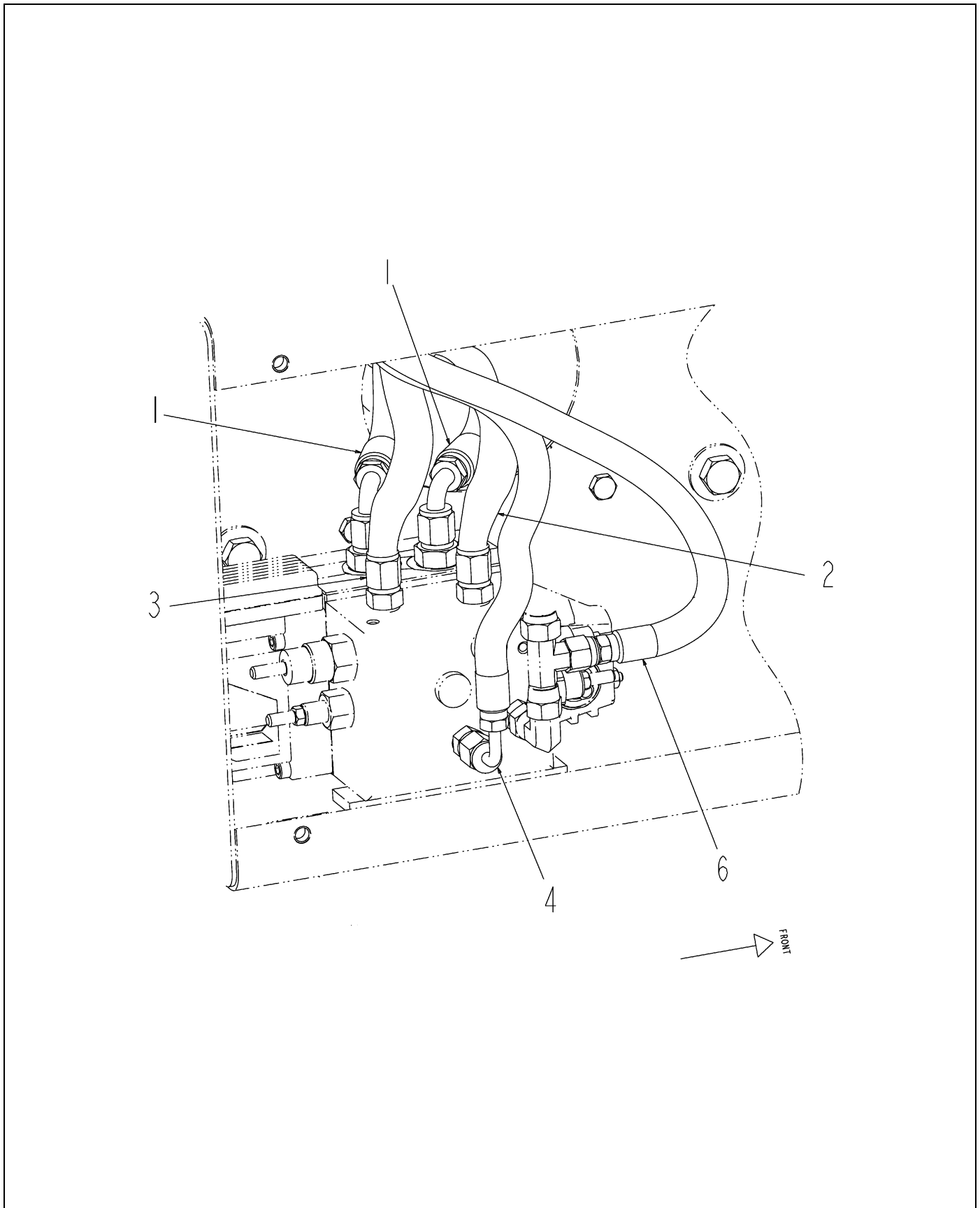
ITEM	PART #	QTY	DESCRIPTION	COMMENTS
	FOOTNOTE		ASSEMBLY DETAIL IMAGE, SEE RELATED PAGES FOR FURTHER BREAKDOWNS	



135061-01-M367-02.tif

PLMB INSTL-STEERING,HYD

ITEM	PART #	QTY	DESCRIPTION	COMMENTS
1	AG134593	2	HOSE ASM-6X68.00 8FJS/FJS90	
2	AG134594	1	HOSE ASM-6X28.00 8FJS/FJS	
3	AG134595	1	HOSE ASM-6X38.00 FJS/FJS90	
4	AG134596	1	HOSE ASM-4X56.00 FJS/6FJS	
5	AG560278	4	TEE 0.50JIC SWIVELX0.50 JIC(2)	
6	503524D1	1	HOSE ASM-4X118.00 FJS/6FJS	

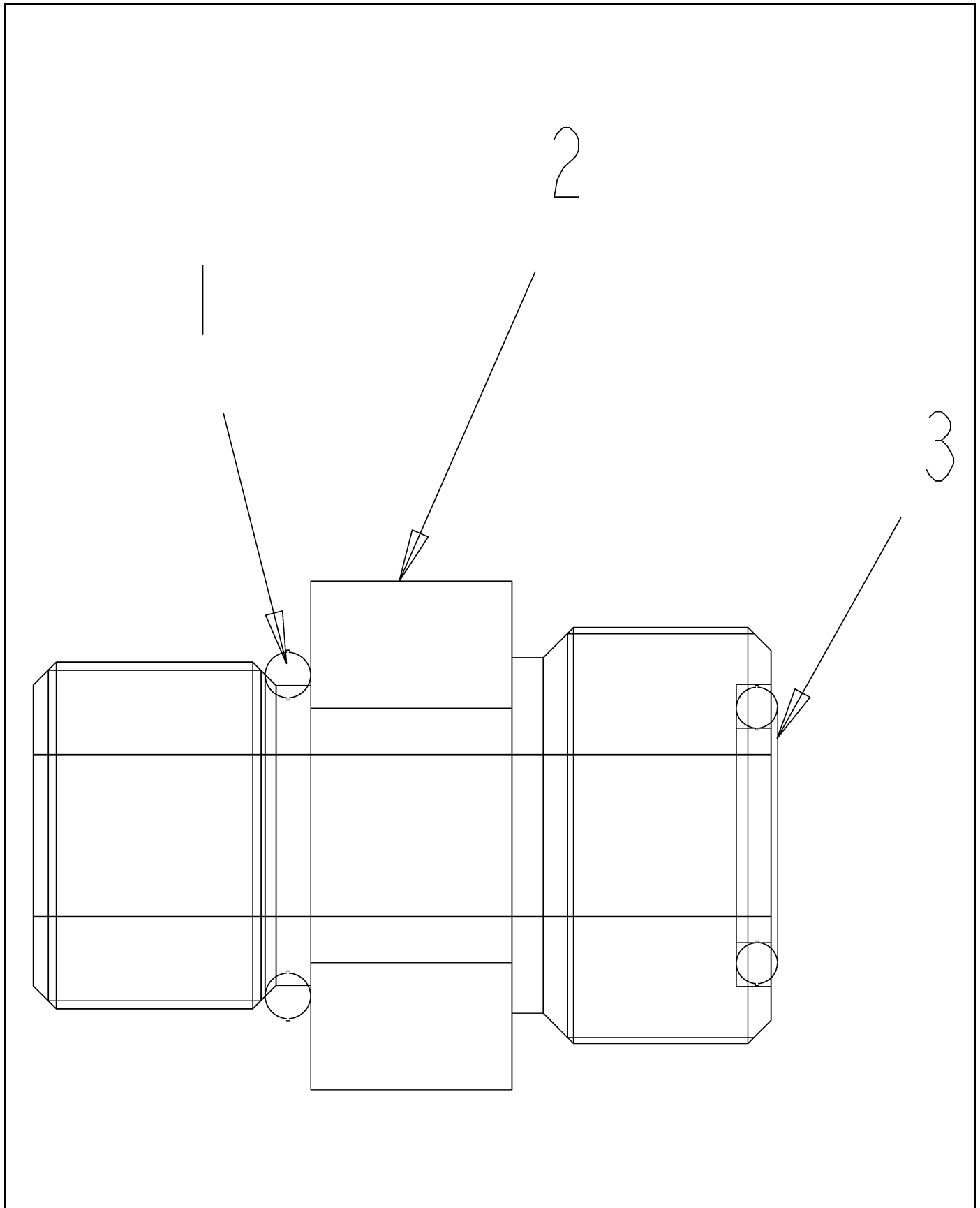


135061-01-M367-03.tif

PLMB INSTL-STEERING,HYD

ITEM	PART #	QTY	DESCRIPTION	COMMENTS
1	AG134593	2	HOSE ASM-6X68.00 8FJS/FJS90	
2	AG134594	1	HOSE ASM-6X28.00 8FJS/FJS	
3	AG134595	1	HOSE ASM-6X38.00 FJS/FJS90	
4	AG134596	1	HOSE ASM-4X56.00 FJS/6FJS	
6	503524D1	1	HOSE ASM-4X118.00 FJS/6FJS	

CONNECTOR AS-6 STOR -6 ORFS

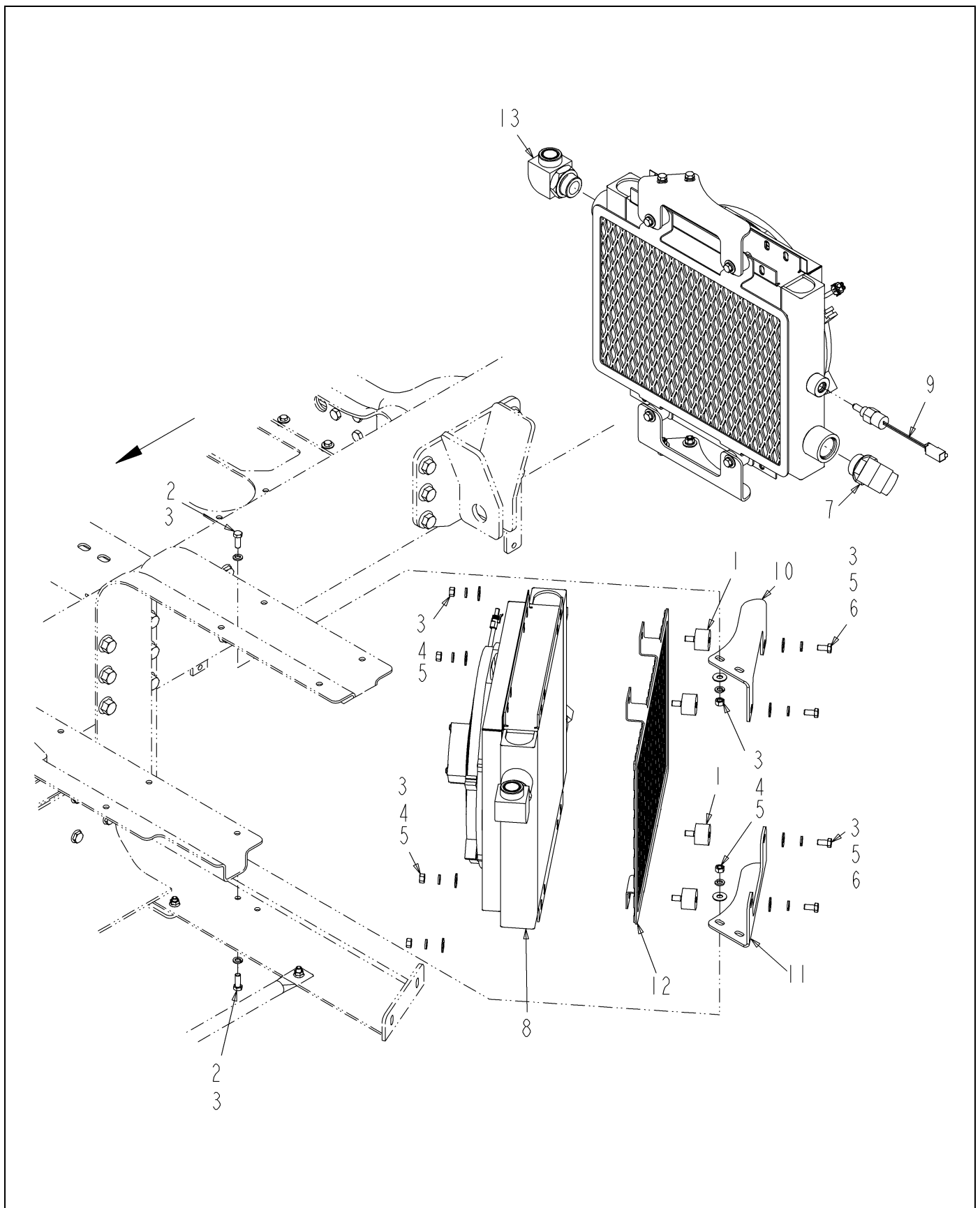


400367X1-01-.TIF

CONNECTOR AS-6 STOR -6 ORFS

ITEM	PART #	QTY	DESCRIPTION	COMMENTS
1	400318X1	1	SEAL-O-RING 11.89IDXDIA1.98	
2	400372X1	1	CONNECTOR-STR -6 STOR -6 ORFS	
3	400378X1	1	SEAL-O-RING 12.83 ODX1.78 DIA	

COOLER INSTL, HYD

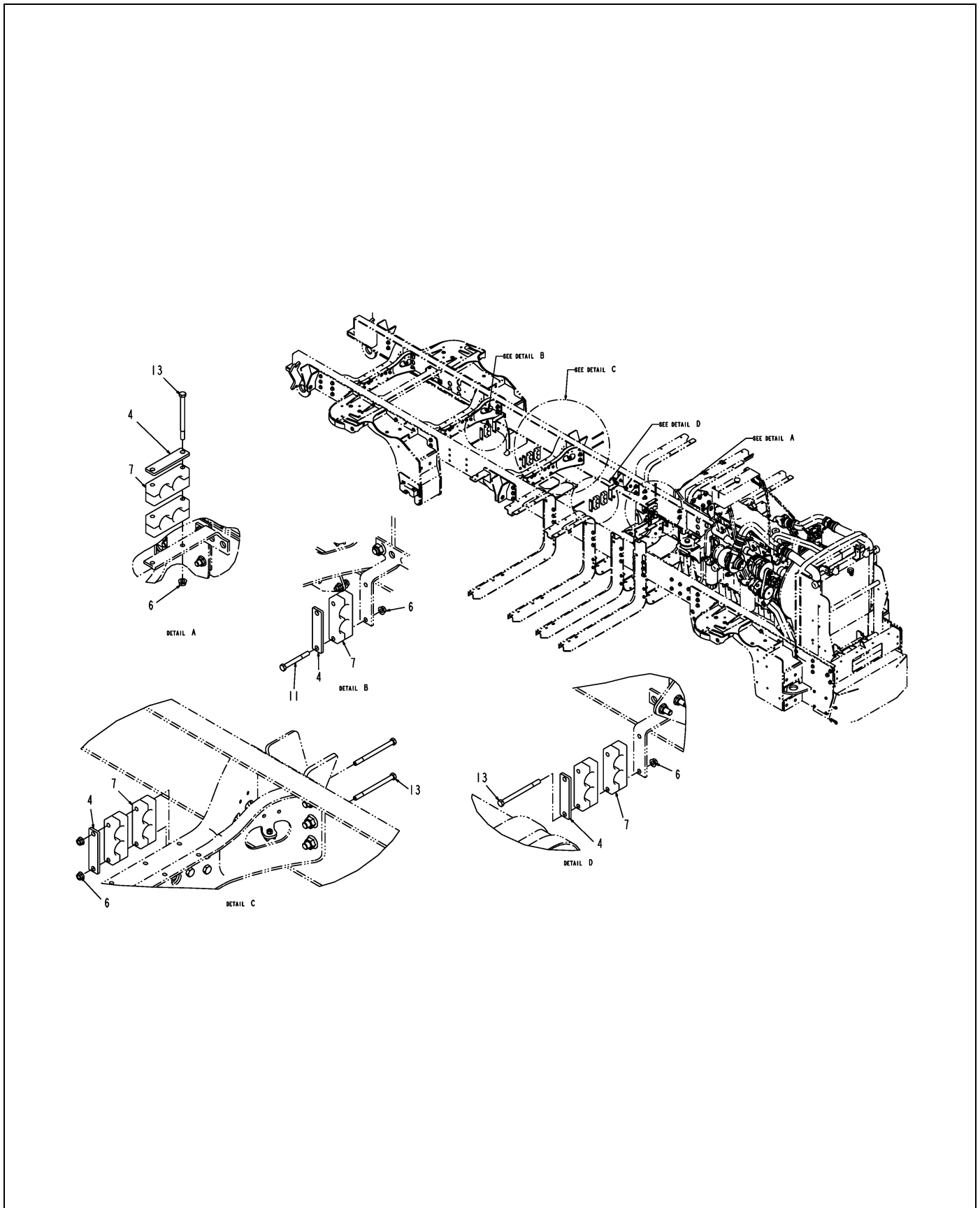


515877D1-02-R298-.TIF

COOLER INSTL, HYD

ITEM	PART #	QTY	DESCRIPTION	COMMENTS
1	AG522327	4	ISOLATOR-RUBBER,1.50 OD, .38-16	
2	AG562048	4	BOLT 0.37-16NCX 1.00 S.S. HHD	
3	AG562050	16	WASHER 0.37 LK SS REG	
4	AG562065	8	NUT 0.37-16NC HEX SS REG	
5	AG562073	12	WASHER 0.37 FL SS REG TYPE-B	
6	AG562120	4	BOLT 0.37-16NCX 0.75 S.S. HHD	
7	401296X1	1	ELBOW ASM-45D,-20STOR X-20ORFS	
8	514536D1	1	COOLER-HYD,W/FAN,AKG DCS-20	
9	514537D1	1	SWITCH-TEMP,140F,-8 STOR	
10	515481D1	1	BRACKET-COOLER,BOTTOM	
11	515482D1	1	BRACKET-COOLER, TOP	
12	515485D1	1	GUARD-OIL COOLER	
13	CH148-8356	1	ELBOW AS-90-20ORFS X 20STOR	

HYD INSTL-HOSE CLAMPS

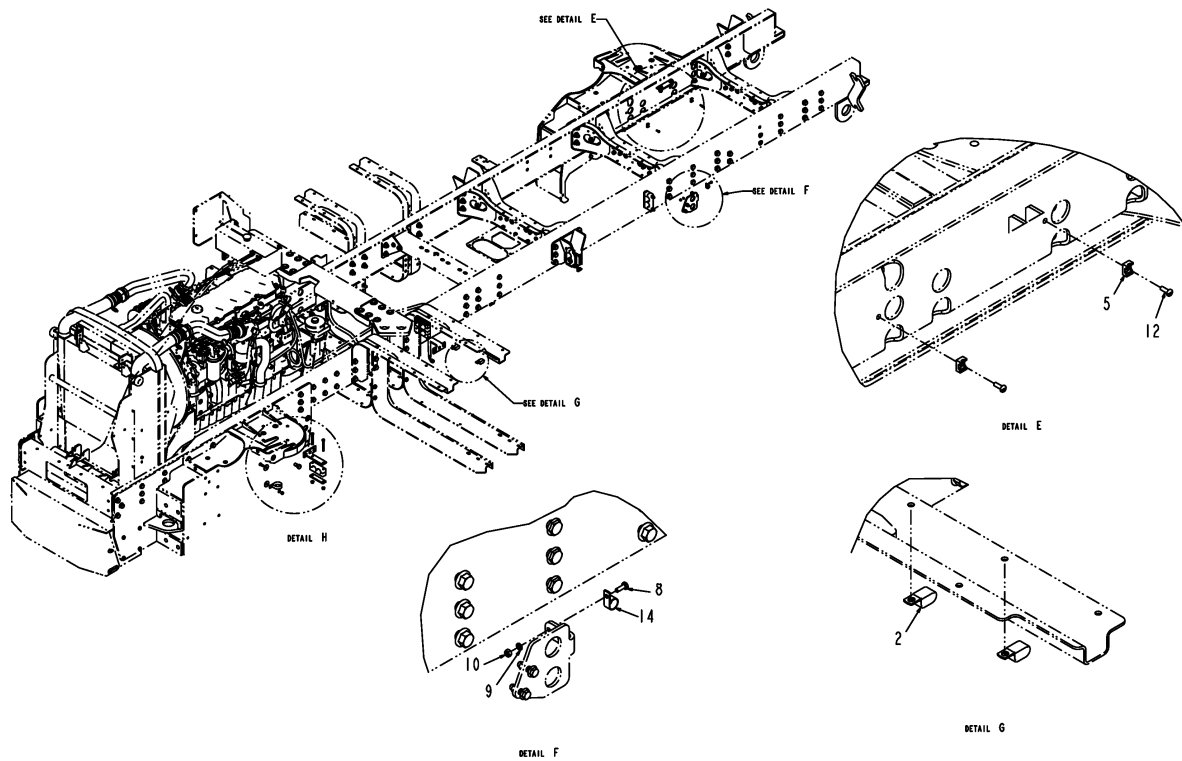


509909D1-01-N308-01.TIF

HYD INSTL-HOSE CLAMPS

ITEM	PART #	QTY	DESCRIPTION	COMMENTS
4	AG237961	5	PLATE-COVER	[A]
6	AG520885	10	NUT-.38-16,G5,ZN,FLG,H	
7	AG521587	8	CLAMP-TWIN,1.50,POLY	
11	AG551058	4	BOLT 0.37-16NCX 3.25 G5 ZN HHD	
13	AG553662	6	BOLT 0.37-16NCX 5.00 G5 ZN HHD	
	FOOTNOTE [A]		PLATE THAT COVER BOLTS - AG237959	

HYD INSTL-HOSE CLAMPS

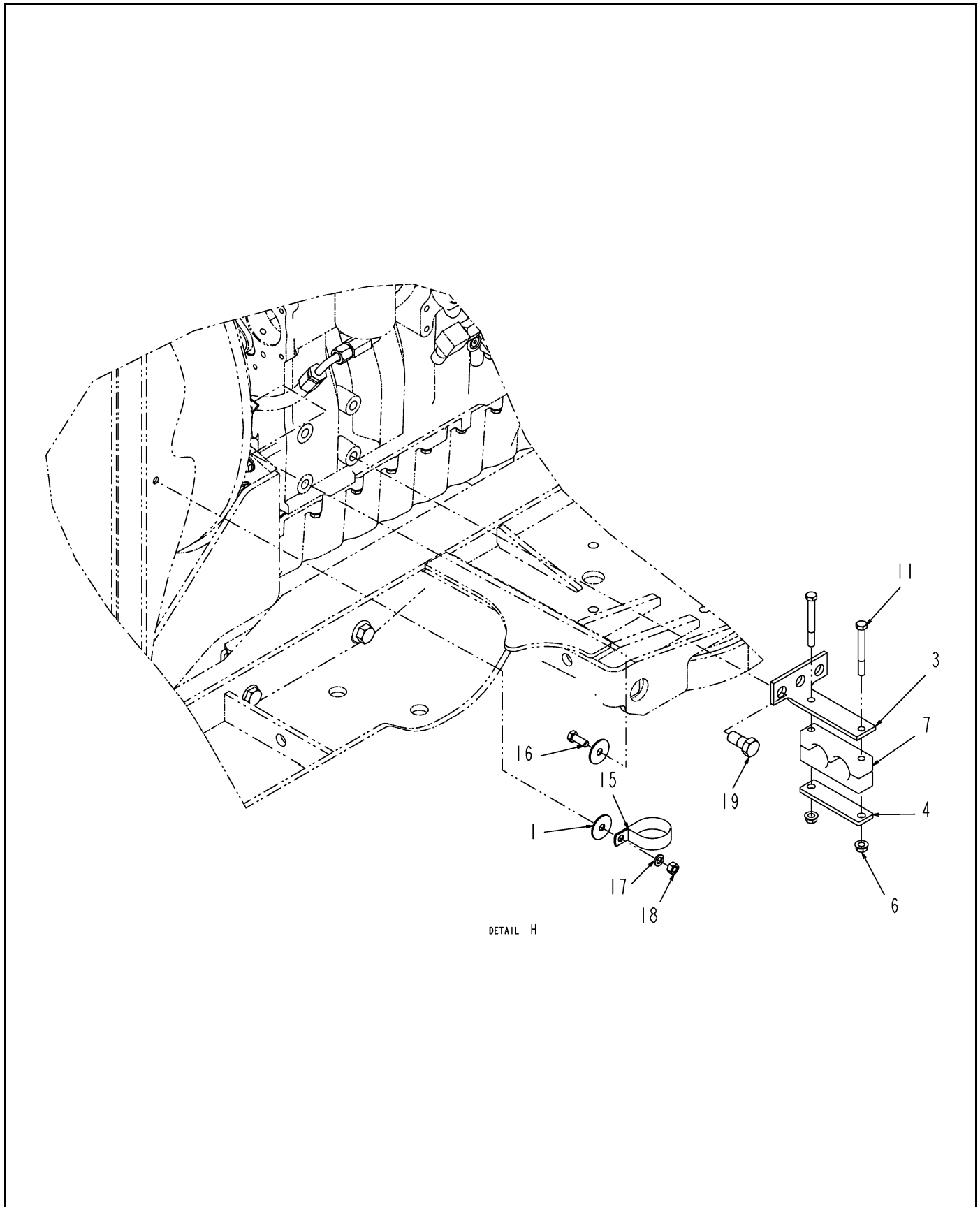


509909D1-01-N308-02.TIF

HYD INSTL-HOSE CLAMPS

ITEM	PART #	QTY	DESCRIPTION	COMMENTS
2	WR55247	2	CLAMP-SUPPORT CUSHION DBL	
5	AG518618	2	MOUNTING BASE SCREW .25	
8	AG550485	1	BOLT 0.25-20NCX 0.75 G5 ZN HHD	
9	AG550493	1	WASHER 0.25 LK ZN REG	
10	AG550612	1	NUT 0.25-20NC HEX ZN REG	
12	AG551341	2	SCREW .25-20X.75MA ZN SL PHD(D)	
14	AG561489	1	CLAMP 0.75 COATED HOSE	

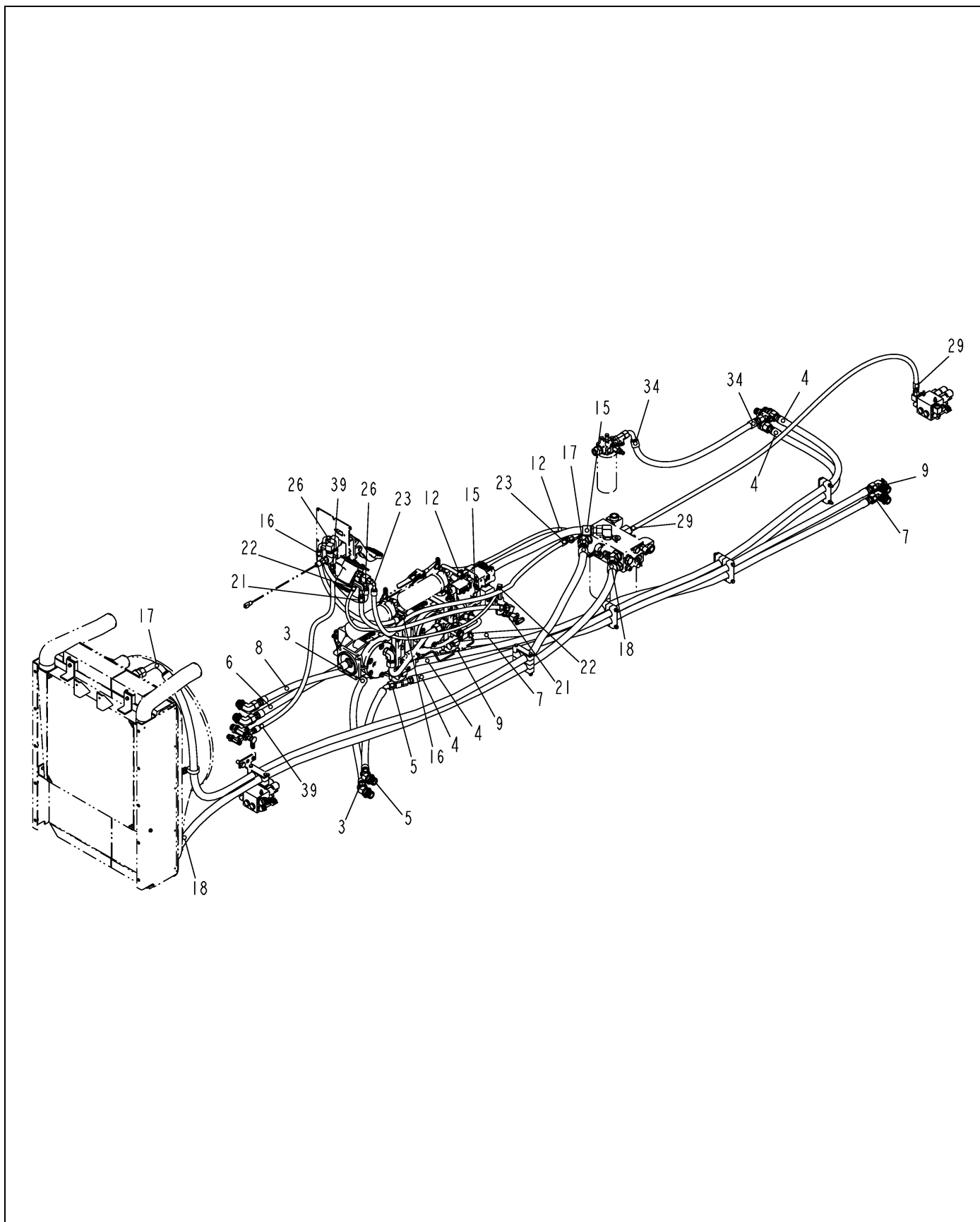
HYD INSTL-HOSE CLAMPS



509909D1-01-N308-03.TIF

HYD INSTL-HOSE CLAMPS

ITEM	PART #	QTY	DESCRIPTION	COMMENTS
1	WR19092	2	WASHER-FENDER, 3/8 ID	
3	AG125833	1	BRACKET-HOSE SUPPORT	
4	AG237961	5	PLATE-COVER	[A]
6	AG520885	10	NUT-.38-16,G5,ZN,FLG,H	
7	AG521587	8	CLAMP-TWIN,1.50,POLY	
11	AG551058	4	BOLT 0.37-16NCX 3.25 G5 ZN HHD	
15	AG561793	1	CLAMP-HOSE,2,.75 WIDE,RUB-COAT	
16	AG562048	1	BOLT 0.37-16NCX 1.00 S.S. HHD	
17	AG562050	1	WASHER 0.37 LK SS REG	
18	AG562065	1	NUT 0.37-16NC HEX SS REG	
19	AG563016	1	BOLT HHD M16-2X35MM 8.8 ZN	
	FOOTNOTE [A]		PLATE THAT COVER BOLTS - AG237959	



509911D1-03-R151-01.TIF

HYD INSTL-HOSES

ITEM	PART #	QTY	DESCRIPTION	COMMENTS
3	512162D1	-	HOSE ASM,-12X38 ORFS45/16ORFS	
4	512163D1	-	HOSE ASM,-12X140 ORFS/16ORFS	
5	512164D1	-	HOSE ASM,-12X34 ORFS45/16ORFS	
6	512166D1	-	HOSE ASM,-12X41 ORFS/16ORFS	
7	512167D1	-	HOSE ASM,-12X104 ORFS/16ORFS	
8	512168D1	-	HOSE ASM,-12X41.5 ORFS/16ORFS	
9	512169D1	-	HOSE ASM,-12X101 ORFS/16ORFS	
12	512172D1	-	HOSE ASM,-6X51 ORFS/8ORFS	
15	512175D1	-	HOSE ASM,-16X38 ORFS45/ORFS	
16	512176D1	-	HOSE ASM,-8X37 6ORFS/ORFS90	
17	512178D1	-	HOSE ASM,-16X168 ORFS90/ORFS	
18	512179D1	-	HOSE ASM,-16X136 ORFS/ORFS45	
21	512182D1	-	HOSE ASM,-8X58 ORFS/ORFS	
22	512183D1	-	HOSE ASM,-4X62 ORFS/ORFS	
23	512184D1	-	HOSE ASM,-8X100 ORFS90/ORFS	
24	512185D1	-	HOSE ASM,-6X160 8ORFS/ORFS	
26	512188D1	-	HOSE ASM,-8X29 ORFS90/ORFS	
29	512191D1	-	HOSE ASM,-8X109 ORFS/ORFS90	
34	512196D1	-	HOSE ASM,-12X36 ORFS/ORFS90	
39	512201D1	-	HOSE ASM,-8X58 ORFS/ORFS	
42	512204D1	-	HOSE ASM,-6X25 ORFS/ORFS	

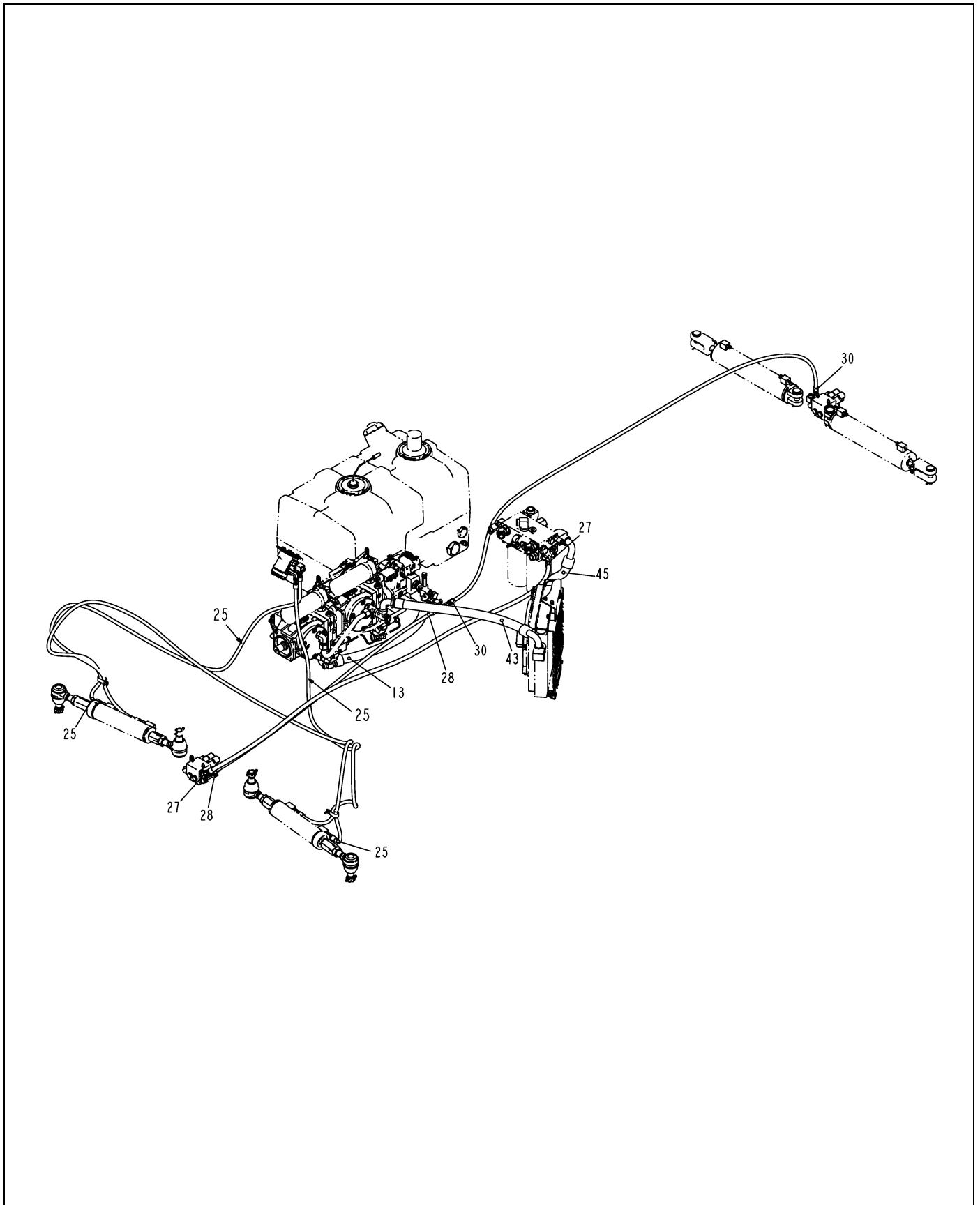


509911D1-03-R151-02.TIF

HYD INSTL-HOSES

ITEM	PART #	QTY	DESCRIPTION	COMMENTS
1	AG136774	-	HOSE ASM -12X97 16ORFS/16FL90	
2	AG136775	-	HOSE ASM -12X85 16ORFS/16FL90	
10	512170D1	-	HOSE ASM,-4X73 ORFS/ORFS90	
11	512171D1	-	HOSE ASM,-4X64 ORFS/ORFS90	
32	512194D1	-	HOSE ASM,-8X104 ORFS90/12ORFS	
33	512195D1	-	HOSE ASM,-8X137 ORFS90/12ORFS	
35	512197D1	-	HOSE ASM,-8X93 ORFS90/12ORFS	
36	512198D1	-	HOSE ASM,-8X120 ORFS90/12ORFS	
40	512202D1	-	HOSE ASM,-6X109 8ORFS/ORFS90	
41	512203D1	-	HOSE ASM,-6X136 8ORFS/ORFS90	
43	516508D1	-	HOSE ASM,-20X35 ORFS90/16ORF90	

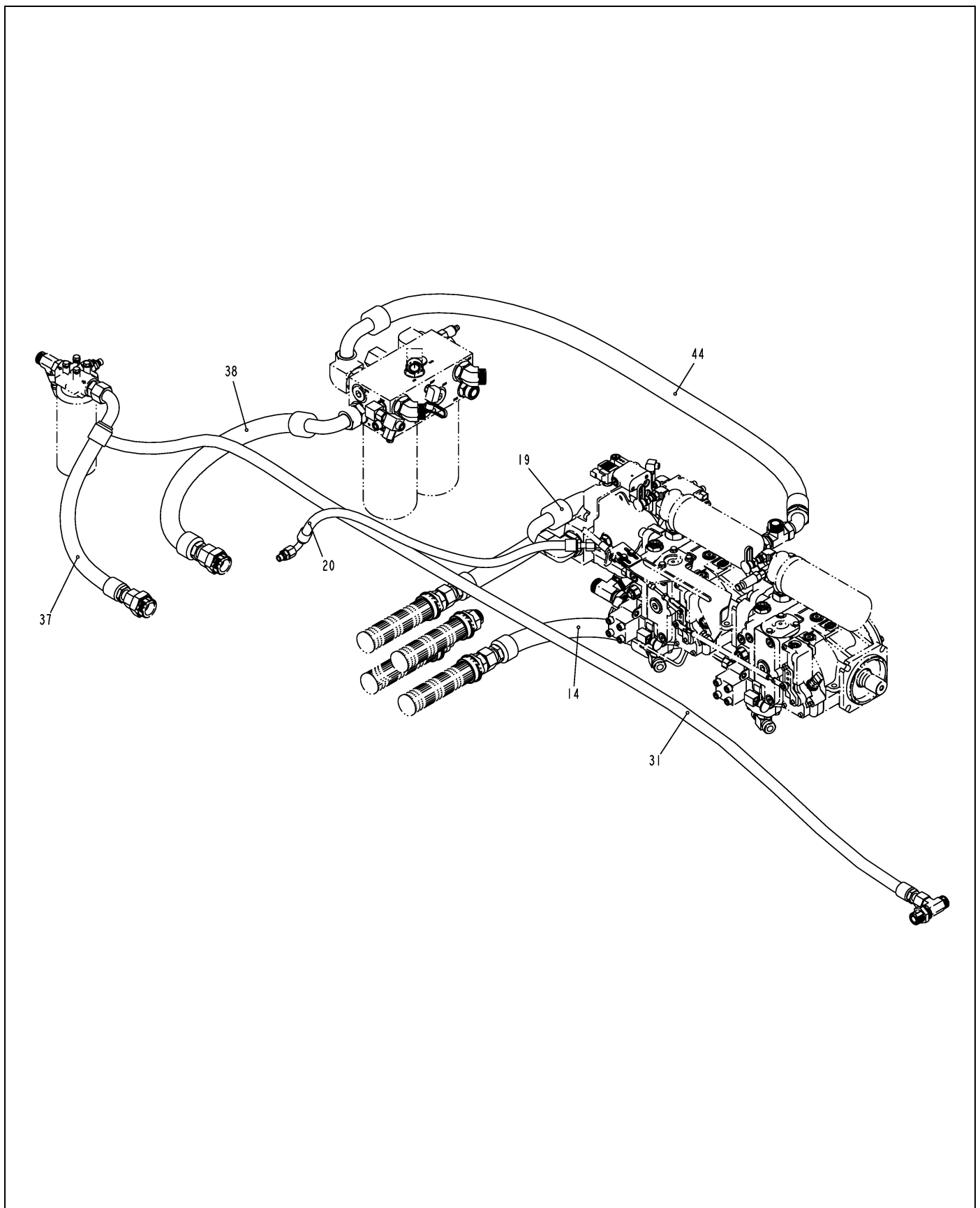
HYD INSTL-HOSES



509911D1-03-R151-03.TIF

HYD INSTL-HOSES

ITEM	PART #	QTY	DESCRIPTION	COMMENTS
13	512173D1	-	HOSE ASM,-20X49.5 ORFS90/ORFS	
25	512186D1	-	HOSE ASM,-6X210 ORFS/ORFS	
27	512189D1	-	HOSE ASM,-8X111 ORFS/ORFS45	
28	512190D1	-	HOSE ASM,-6X77 ORFS/ORFS	
30	512192D1	-	HOSE ASM,-6X142 ORFS/ORFS	
43	516508D1	-	HOSE ASM,-20X35 ORFS90/16ORF90	
45	516510D1	-	HOSE ASM,-20X26 ORFS90/ORFS	

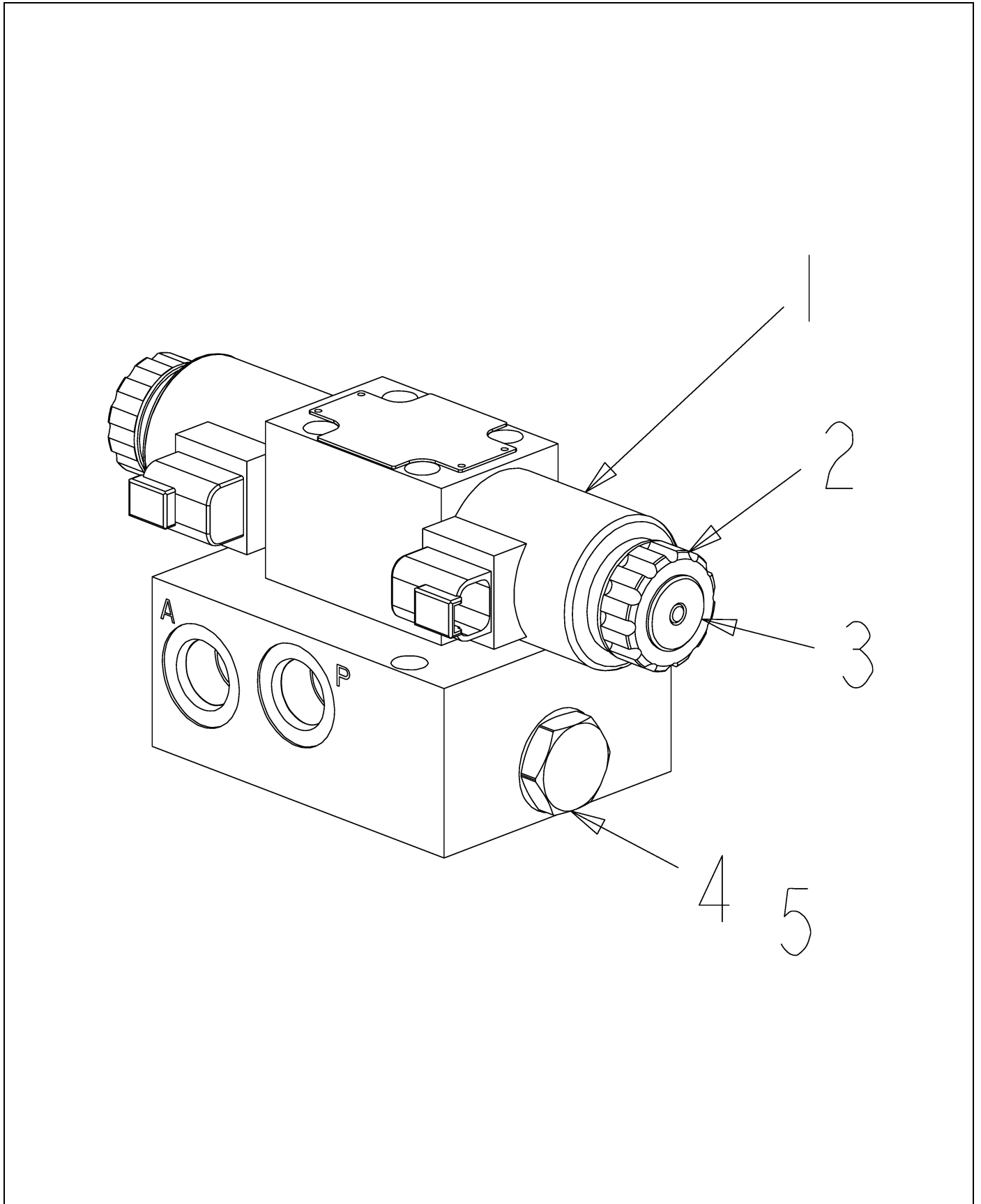


509911D1-03-R151-04.TIF

HYD INSTL-HOSES

ITEM	PART #	QTY	DESCRIPTION	COMMENTS
14	512174D1	-	HOSE ASM,-20X28 ORFS90/ORFS	
19	512180D1	-	HOSE ASM,-20X37 ORFS90/ORFS	
20	512181D1	-	HOSE ASM,-8X43 ORFS/ORFS90	
31	512193D1	-	HOSE ASM,-12X122 ORFS/ORFS	
37	512199D1	-	HOSE ASM,-16X26 ORFS90/ORFS	
38	512200D1	-	HOSE ASM,-20X34 ORFS90/ORFS	
44	516509D1	-	HOSE ASM,-20X63 ORFS90/16ORF45	

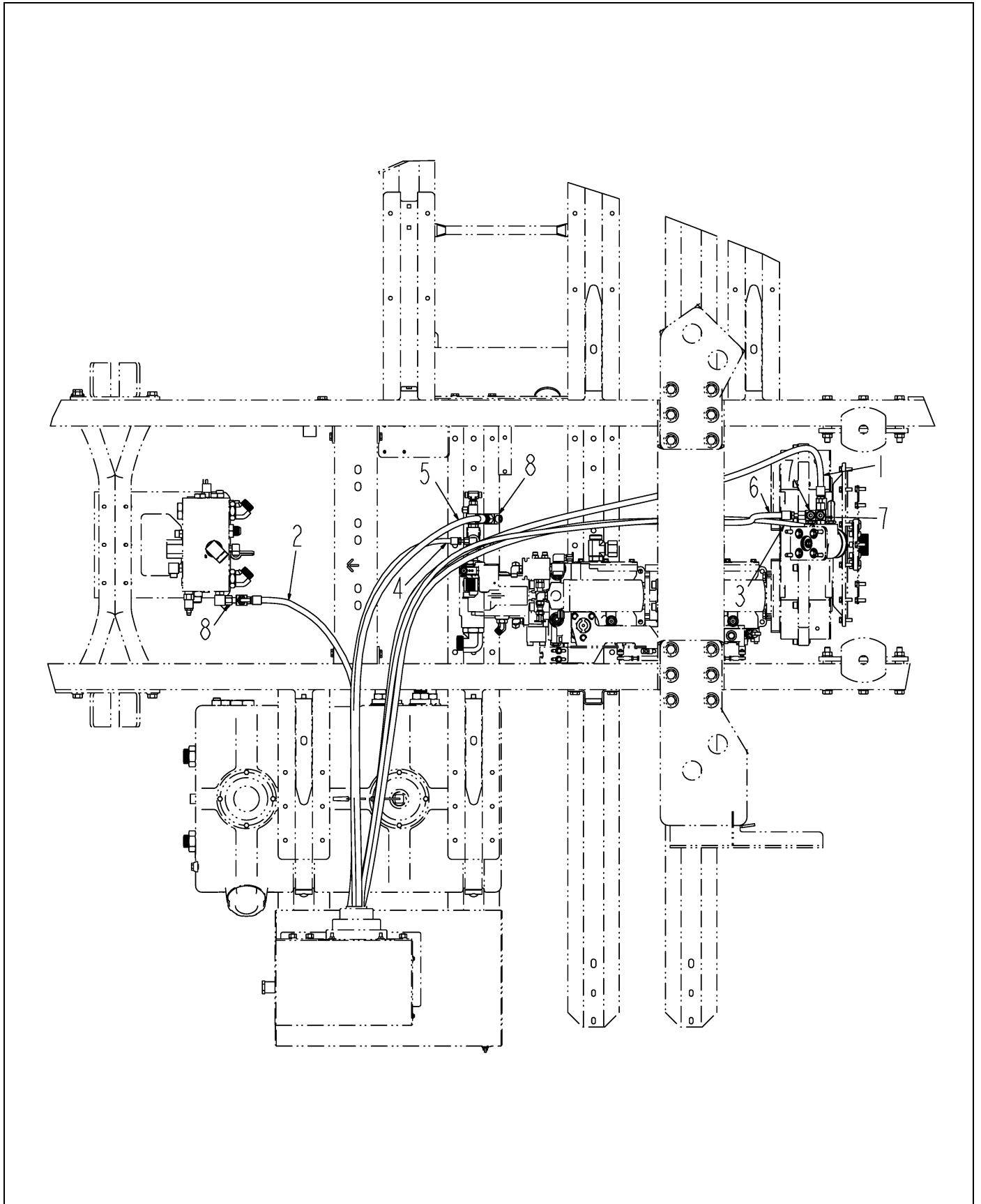
VALVE, HYD, 4X4 STEER, W/CHECK



125819-A-L109-.TIF

VALVE, HYD, 4X4 STEER, W/CHECK

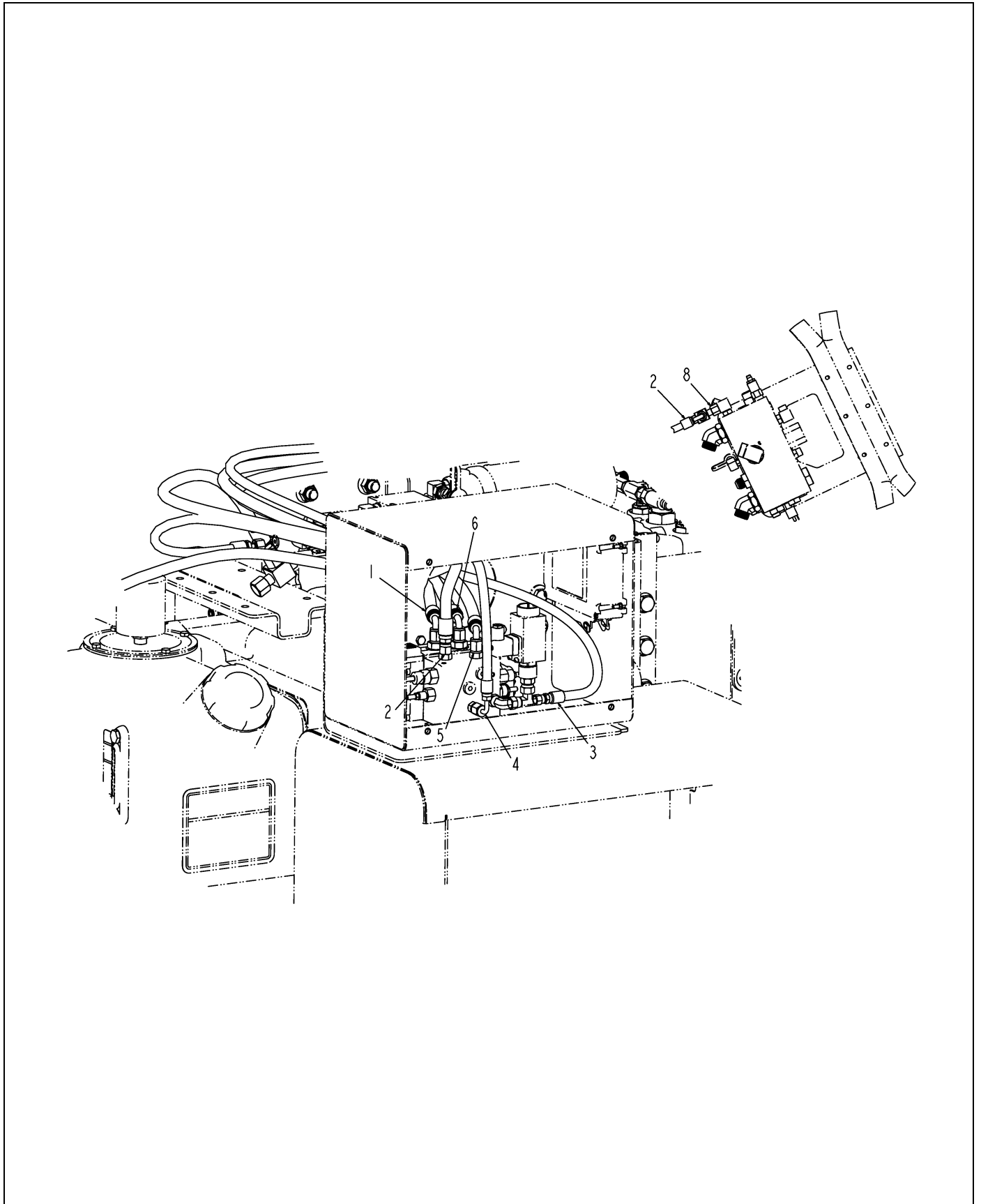
ITEM	PART #	QTY	DESCRIPTION	COMMENTS
1	AG122784	-	E-COIL	
2	AG122785	-	E-COIL NUT	
3	AG122786	-	CARTRIGE	
4	AG125827	-	THERMAL RELIEF/CHECK (125819)	
5	AG125828	-	PISTON (125819)	



513257D1-01-N670-01.TIF

HYD INSTL-AUTOGUIDE,1286C

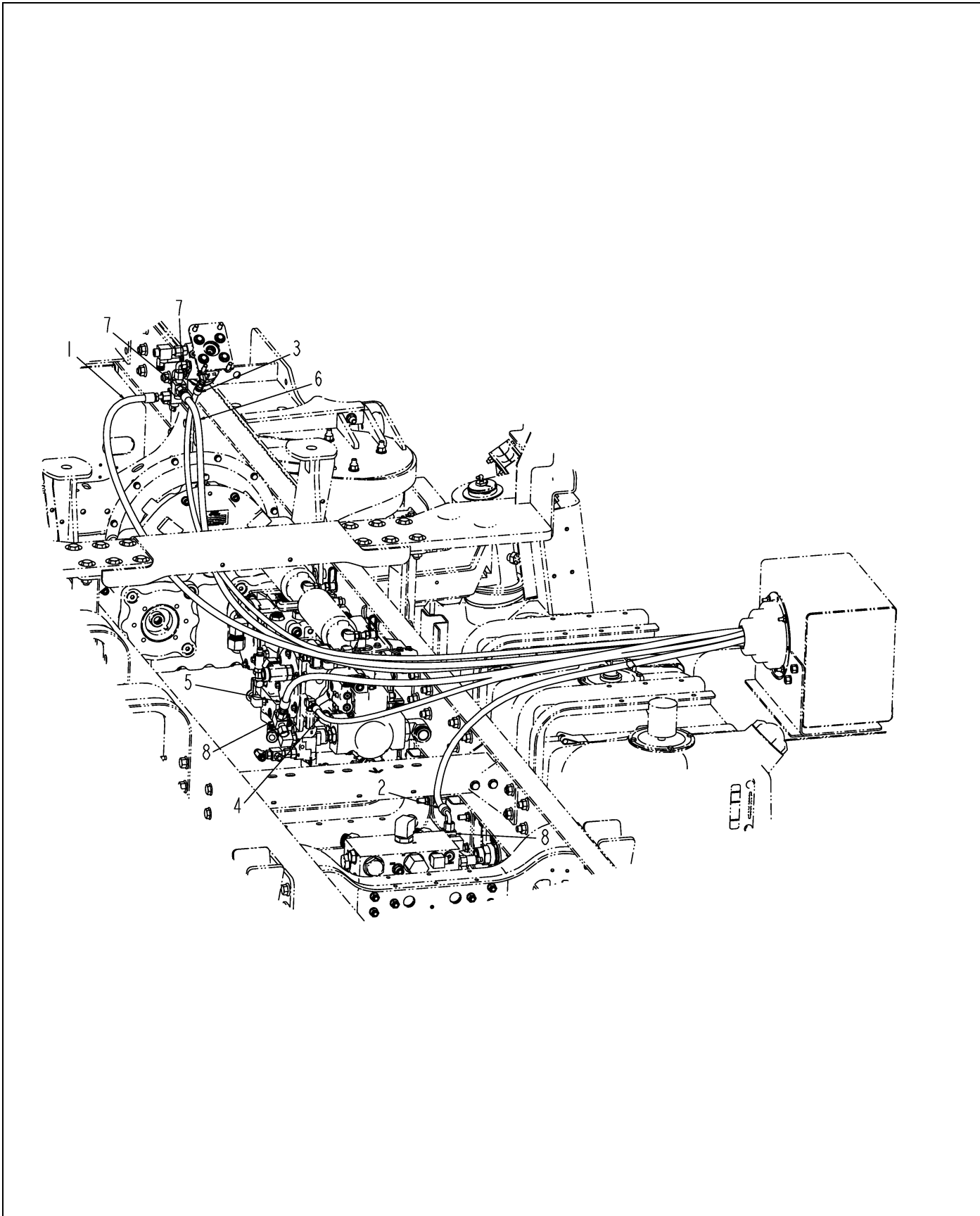
ITEM	PART #	QTY	DESCRIPTION	COMMENTS
1	513250D1	1	HOSE ASM,-6X111 8ORFS/FJS90	
2	513251D1	1	HOSE ASM,-6X63 8ORFS90/FJS	
3	513252D1	1	HOSE ASM,-4X120 ORFS/6FJS	
4	513253D1	1	HOSE ASM,-4X72 ORFS/6FJS90	
5	513254D1	1	HOSE ASM,-6X68 8ORFS/FJS90	
6	513255D1	1	HOSE ASM,-6X105 8ORFS/FJS90	
7	CH148-8444	2	TEE-SWIVEL 3X -8 ORFS	
8	CH6V-9837	2	TEE-SWIVEL 3X -8 ORFS	



513257D1-01-N670-02.TIF

HYD INSTL-AUTOGUIDE,1286C

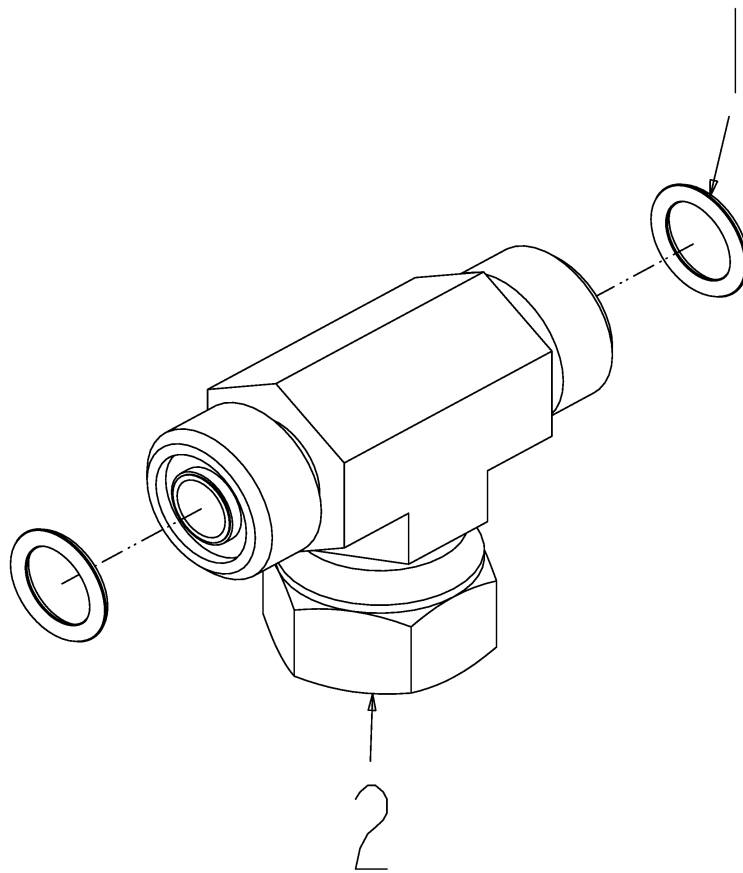
ITEM	PART #	QTY	DESCRIPTION	COMMENTS
1	513250D1	1	HOSE ASM,-6X111 8ORFS/FJS90	
2	513251D1	1	HOSE ASM,-6X63 8ORFS90/FJS	
3	513252D1	1	HOSE ASM,-4X120 ORFS/6FJS	
4	513253D1	1	HOSE ASM,-4X72 ORFS/6FJS90	
5	513254D1	1	HOSE ASM,-6X68 8ORFS/FJS90	
6	513255D1	1	HOSE ASM,-6X105 8ORFS/FJS90	
8	CH6V-9837	2	TEE-SWIVEL 3X -8 ORFS	



513257D1-01-N670-03.TIF

HYD INSTL-AUTOGUIDE,1286C

ITEM	PART #	QTY	DESCRIPTION	COMMENTS
1	513250D1	1	HOSE ASM,-6X111 8ORFS/FJS90	
2	513251D1	1	HOSE ASM,-6X63 8ORFS90/FJS	
3	513252D1	1	HOSE ASM,-4X120 ORFS/6FJS	
4	513253D1	1	HOSE ASM,-4X72 ORFS/6FJS90	
5	513254D1	1	HOSE ASM,-6X68 8ORFS/FJS90	
6	513255D1	1	HOSE ASM,-6X105 8ORFS/FJS90	
7	CH148-8444	2	TEE-SWIVEL 3X -8 ORFS	
8	CH6V-9837	2	TEE-SWIVEL 3X -8 ORFS	

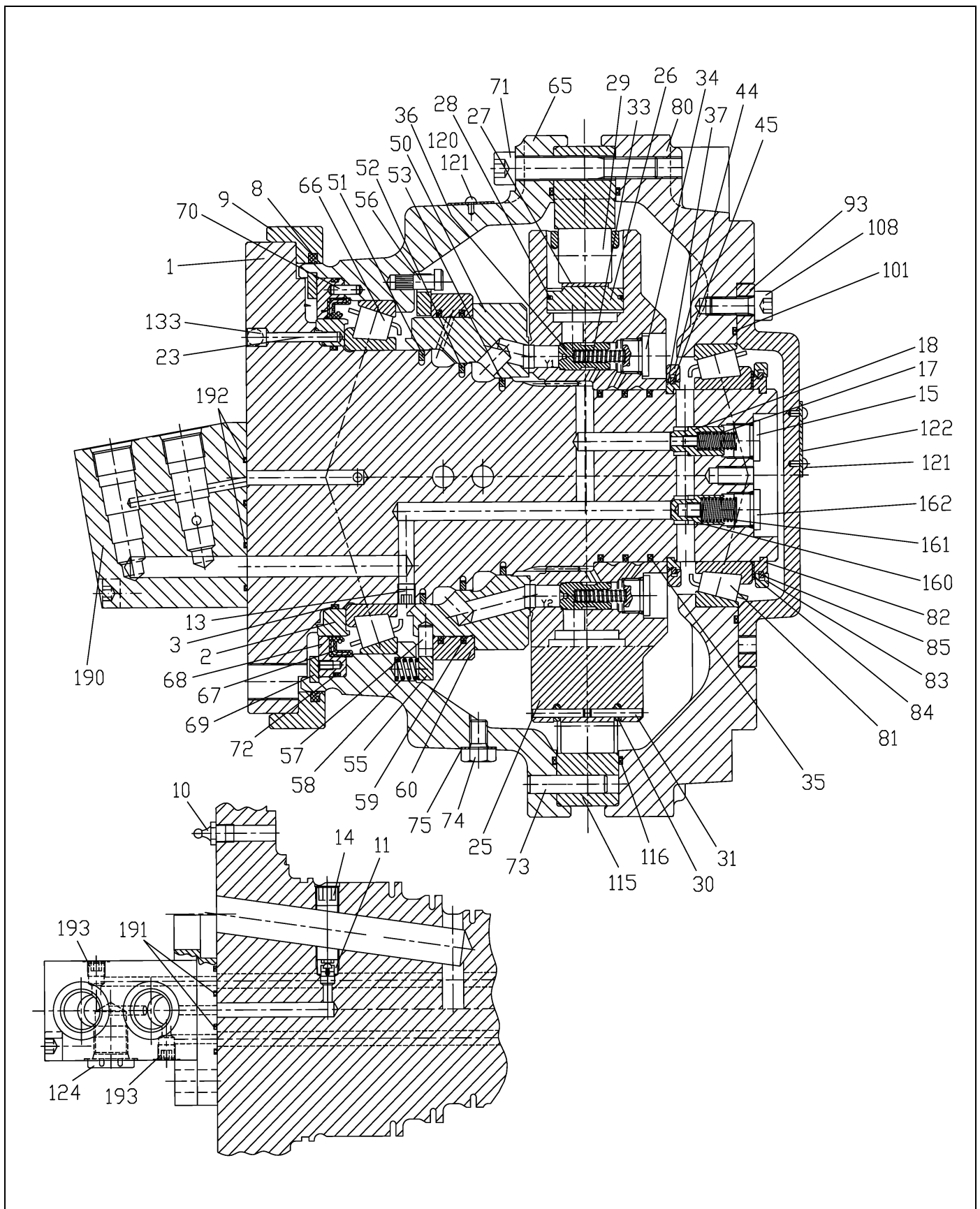


401071X1-01-N801-.TIF

TEE AS.-60RFS

ITEM	PART #	QTY	DESCRIPTION	COMMENTS
1	400378X1	2	SEAL-O-RING 12.83 ODX1.78 DIA	
2	401070X1	1	TEE,-60RFS SWIVEL	

MOTOR,BBC05,2271CC,3 SP,NO BRK

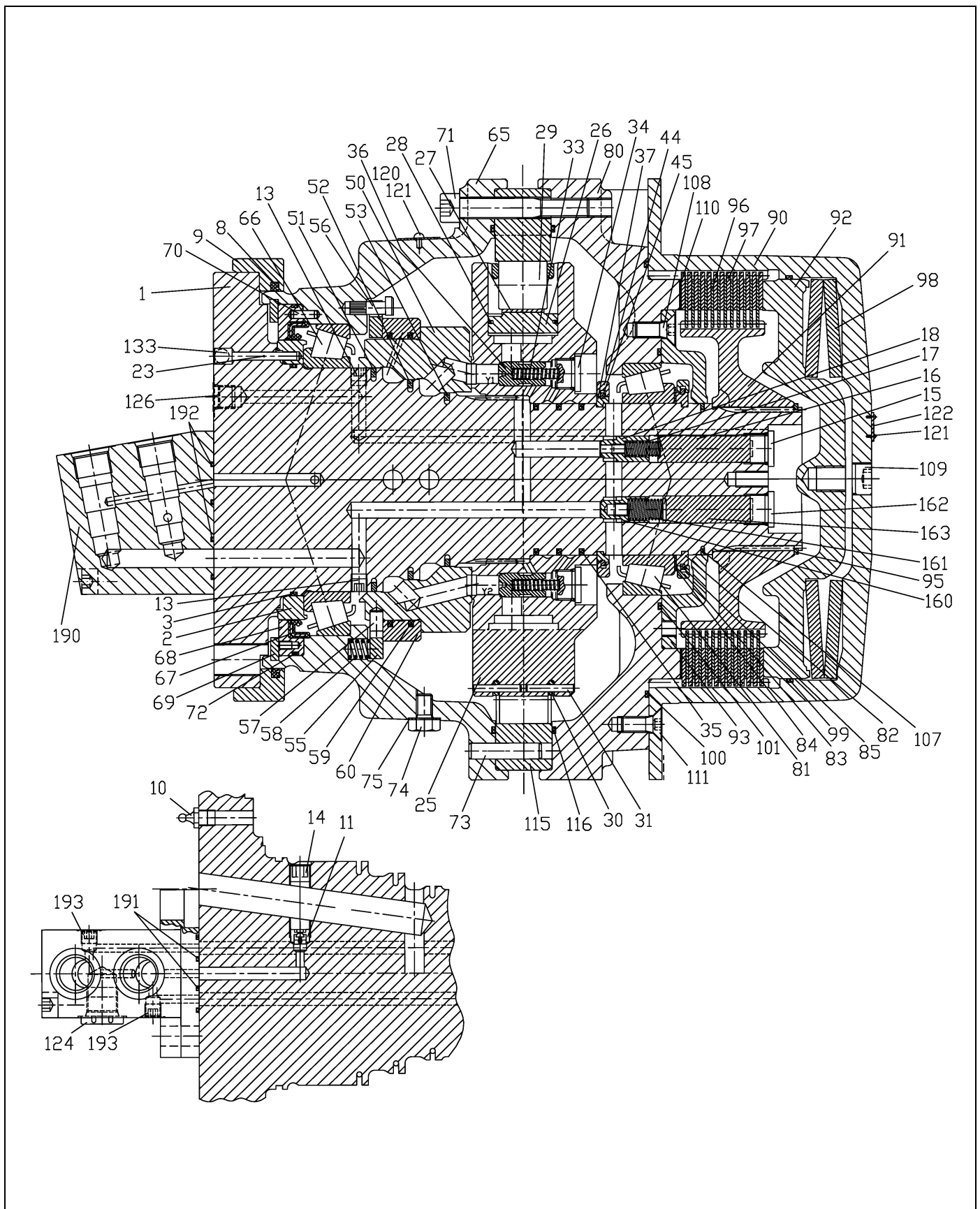


507867D1.TIF

MOTOR,BBC05,2271CC,3 SP,NO BRK

ITEM	PART #	QTY	DESCRIPTION	COMMENTS
1	AG331743	1	SHAFT/WHEEL MOTOR	
2	AG137232	1	COLLAR	
3	AG715270	1	O RING	
8	AG723865	1	SEALING RING	
9	AG331742	1	RING/GREASE	
10	AG726285	2	GREASE ZERK	
11	AG726286	2	VALVE, CHECK	
13	AG717101	1	PLUG-EXPANDER	
14	AG726289	2	TAPER PLUG	
15	AG723863	1	PLUG (CASE PRESSURE)	
17	AG723855	1	SPRING	
18	AG723856	1	CHECK VALVE (CASE PRESSURE)	
23	AG725290	1	PIN	
25	AG331741	1	BLOCK/CYL	
26	AG726292	12	PISTON	
27	AG723965	12	PISTON RING	
28	AG726301	12	PIN	
29	AG726304	12	CAM ROLLER	
30	AG723967	2	RING/GUIDE	
31	AG726328	8	PIN	
33	AG723969	6	SPRING	
34	AG723968	6	PLUG	
35	AG726329	3	SEALING/RING	
36	AG723972	6	POPPET SPOOL	
37	AG725277	1	SNAP RING-8.3MM	
44	AG058532	1	LOCKING RING	
45	AG726339	1	RETAINING RING	
50	AG723852	1	DISTRIBUTOR	
51	AG726963	1	RING/SEALING-NITRATED	
52	AG726964	1	RING/SEALING-NITRATED	
53	AG726962	1	RING/SEALING-NITRATED	
55	AG723848	1	CONNECTING RING	
56	AG715330	2	PIN	
57	AG715331	2	GUIDE PIN	
58	AG713281	8	SPRING TIMING	
59	AG726331	2	SEALING RING	
60	AG723843	1	SUPPORT RING	
65	AG723844	1	REAR COVER	
66	AG715302	1	BEARING	
67	AG727056	1	SEAL/SHAFT - BLACK	[A]
68	AG723949	1	SUPPORTING RING	
69	AG726334	1	RETAINING RING	
70	AG726335	1	PIN	
71	AG726336	20	SCREW	
72	AG726337	1	O RING	
73	AG715337	1	PIN	
74	AG713497	2	BLEED SCREW	
75	AG713525	2	WASHER	
79	AG331738	1	ORING	
80	AG331739	1	COVER/HUB	
81	AG726338	1	AXIAL SPACER	
82	AG725285	1	SNAP RING-9.2MM	
82	AG725292	1	SNAP RING,9.3MM	
82	AG725284	1	SNAP RING-9.1MM	
82	AG725283	1	SNAP RING-8.9MM	
82	AG725282	1	SNAP RING-8.8MM	
82	AG725281	1	SNAP RING-8.7MM	
82	AG725280	1	SNAP RING-8.6MM	
82	AG725279	1	SNAP RING-8.5MM	
82	AG058531	1	RETAINING RING	

MOTOR,BBC05,2271CC,4 SP,BRAKE

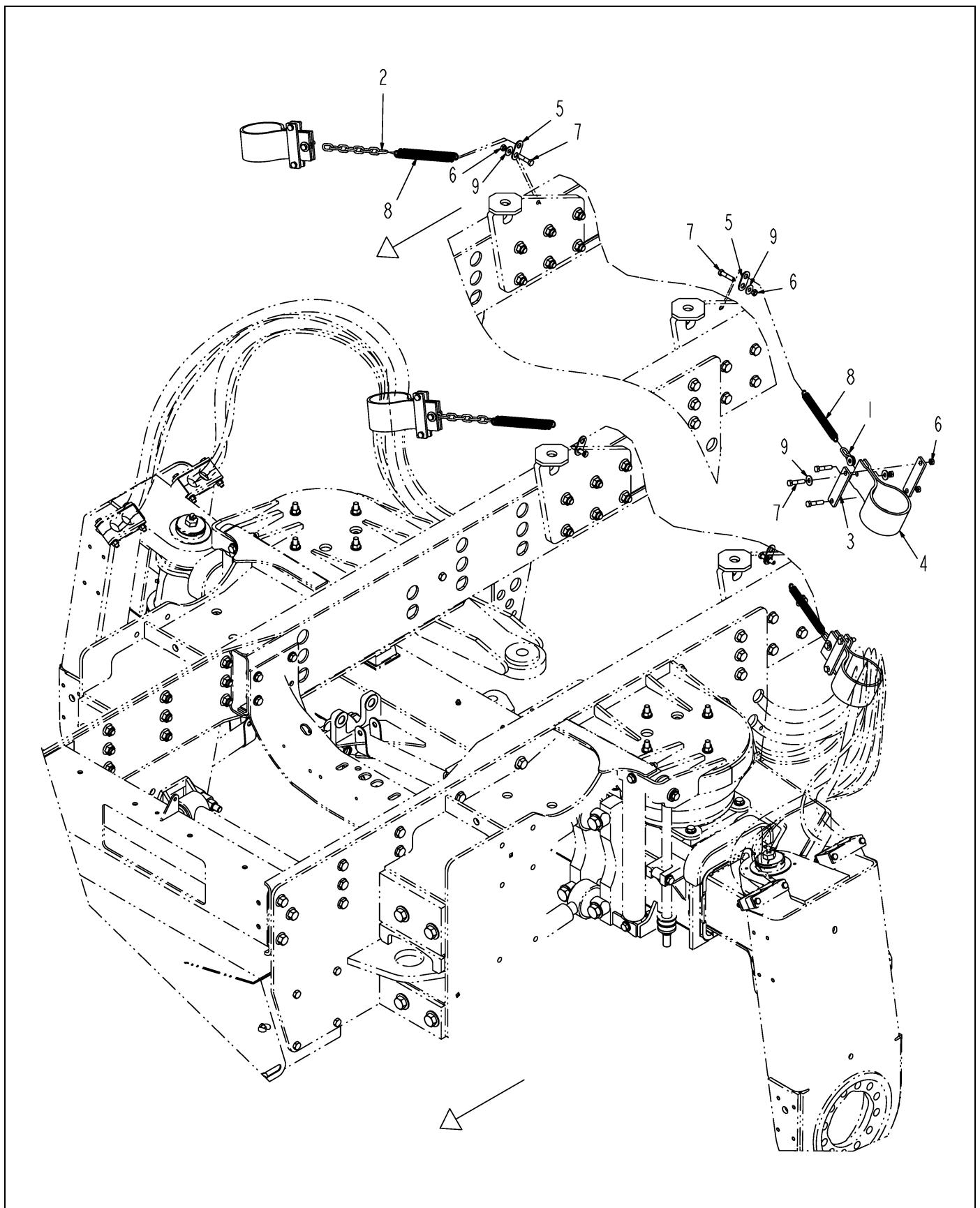


509916D1.TIF

MOTOR,BBC05,2271CC,4 SP,BRAKE

ITEM	PART #	QTY	DESCRIPTION	COMMENTS
1	AG331744	1	SHAFT/WHEEL MOTOR	
2	AG137232	1	COLLAR	
3	AG715270	1	O RING	
8	AG723865	1	SEALING RING	
9	AG331742	1	RING/GREASE	
10	AG726285	2	GREASE ZERK	
11	AG726286	2	VALVE, CHECK	
13	AG717101	1	PLUG-EXPANDER	
14	AG726289	2	TAPER PLUG	
15	AG723863	1	PLUG (CASE PRESSURE)	
16	AG723864	1	PLUG (CASE PRESSURE)	
17	AG723855	1	SPRING	
18	AG723856	1	CHECK VALVE (CASE PRESSURE)	
23	AG725290	1	PIN	
25	AG331735	1	BLOCK/CYL 4SPDB	
26	AG726292	12	PISTON	
27	AG723965	12	PISTON RING	
28	AG726301	12	PIN	
29	AG726304	12	CAM ROLLER	
30	AG723967	2	RING/GUIDE	
31	AG726328	8	PIN	
33	AG723969	9	SPRING	
34	AG723968	9	PLUG	
35	AG726329	3	SEALING/RING	
36	AG723972	9	POPPET SPOOL	
37	AG725277	1	SNAP RING-8.3MM	
44	AG058532	1	LOCKING RING	
45	AG726339	1	RETAINING RING	
50	AG723852	1	DISTRIBUTOR	
51	AG726963	1	RING/SEALING-NITRATED	
52	AG726964	1	RING/SEALING-NITRATED	
53	AG726962	1	RING/SEALING-NITRATED	
55	AG723848	1	CONNECTING RING	
56	AG715330	2	PIN	
57	AG715331	2	GUIDE PIN	
58	AG713281	8	SPRING TIMING	
59	AG726331	2	SEALING RING	
60	AG723843	1	SUPPORT RING	
65	AG723844	1	REAR COVER	
66	AG715302	1	BEARING	
67	AG727651	1	KIT / SEAL W/SC-SR	[A]
68	AG723949	1	SUPPORTING RING	
69	AG726334	1	RETAINING RING	
70	AG726335	1	PIN	
71	AG726336	20	SCREW	
72	AG726337	1	O RING	
73	AG715337	1	PIN	
74	AG713497	2	BLEED SCREW	
75	AG713525	2	WASHER	
79	AG331738	1	ORING	
80	AG331740	1	COVER/HUB W/B	
81	AG726338	1	AXIAL SPACER	
82	AG725285	1	SNAP RING-9.2MM	
82	AG725284	1	SNAP RING-9.1MM	
82	AG725292	1	SNAP RING,9.3MM	
82	AG058531	1	RETAINING RING	
82	AG725283	1	SNAP RING-8.9MM	
82	AG725282	1	SNAP RING-8.8MM	
82	AG725281	1	SNAP RING-8.7MM	
82	AG725280	1	SNAP RING-8.6MM	

SUPPORT ASM-FRONT HOSES

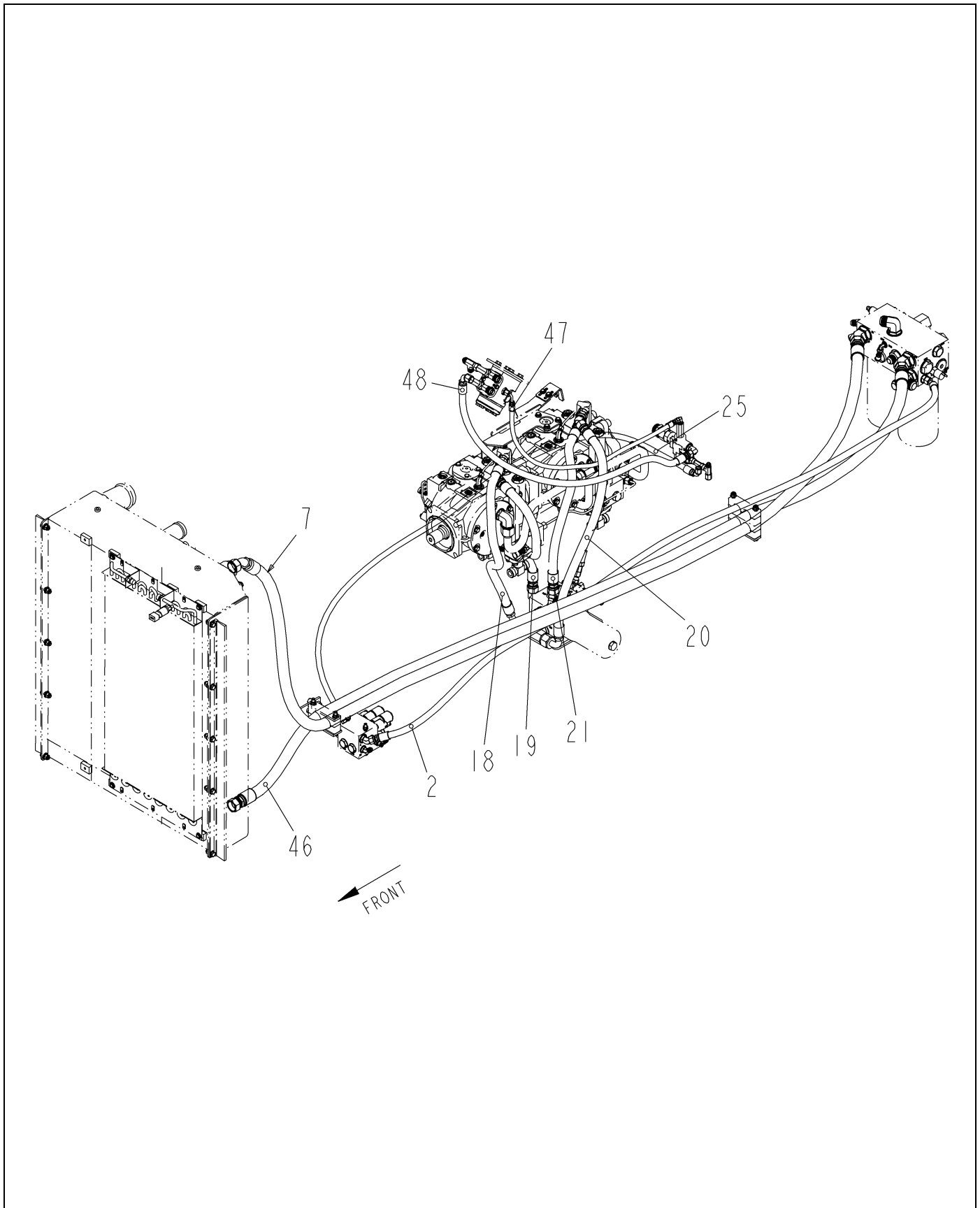


509130D1-03-R129-.TIF

SUPPORT ASM-FRONT HOSES

ITEM	PART #	QTY	DESCRIPTION	COMMENTS
1	AG114698	1	CHAIN HOLD-UP (2 LINKS)	
2	AG215938	1	CHAIN 8 LINK	
3	AG237961	4	PLATE-COVER	[A]
4	AG238315	2	STRAP-HOSE HANGER	
5	AG263132	2	WASHER-DOUBLE HOLE,.50	
6	AG515140	8	NUT 0.37-16NC HEX SS HVY NY	
7	AG515277	8	BOLT 0.37-16NCX 1.75 S.S. HHD	
8	AG517097	3	SPRING COIL EXTENSION	
9	AG562073	10	WASHER 0.37 FL SS REG TYPE-B	
	FOOTNOTE [A]		PLATE THAT COVER BOLTS - AG237959	

HOSE INSTL

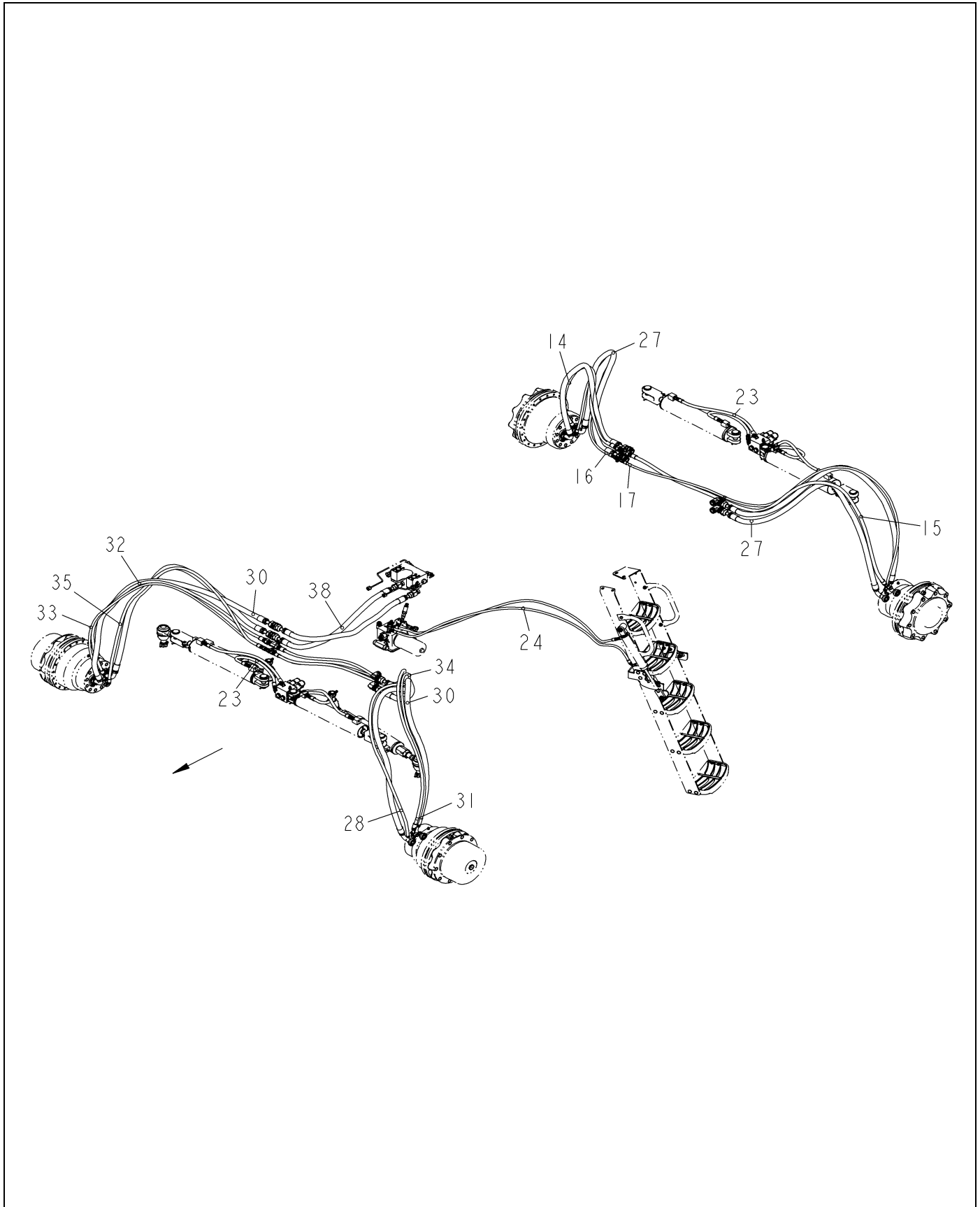


509410D1-02-R220-01.TIF

HOSE INSTL

ITEM	PART #	QTY	DESCRIPTION	COMMENTS
2	AG125138	-	HOSE ASM-8X107.00 FJS/FJS45	
7	AG130297	-	HOSE ASM -16 X 158 FJS/FJS45	
18	AG135578	-	HOSE ASM-12X33 FJS/16FJS90	
19	AG135579	-	HOSE ASM-12X27.00 FJS/FJS	
20	AG135580	-	HOSE ASM-12X45.00 FJS/16FJS	
21	AG135581	-	HOSE ASM-12X38.00 FJS/FJS	
25	AG233215	-	HOSE ASM -6 100.00 RIAT	
46	507965D1	-	HOSE ASM -16X131 FJS/FJS	
47	507966D1	-	HOSE ASM -4X48 JIC/-5 JIC90	
48	507998D1	-	HOSE ASM -8X62 FJS/FJS90	

HOSE INSTL

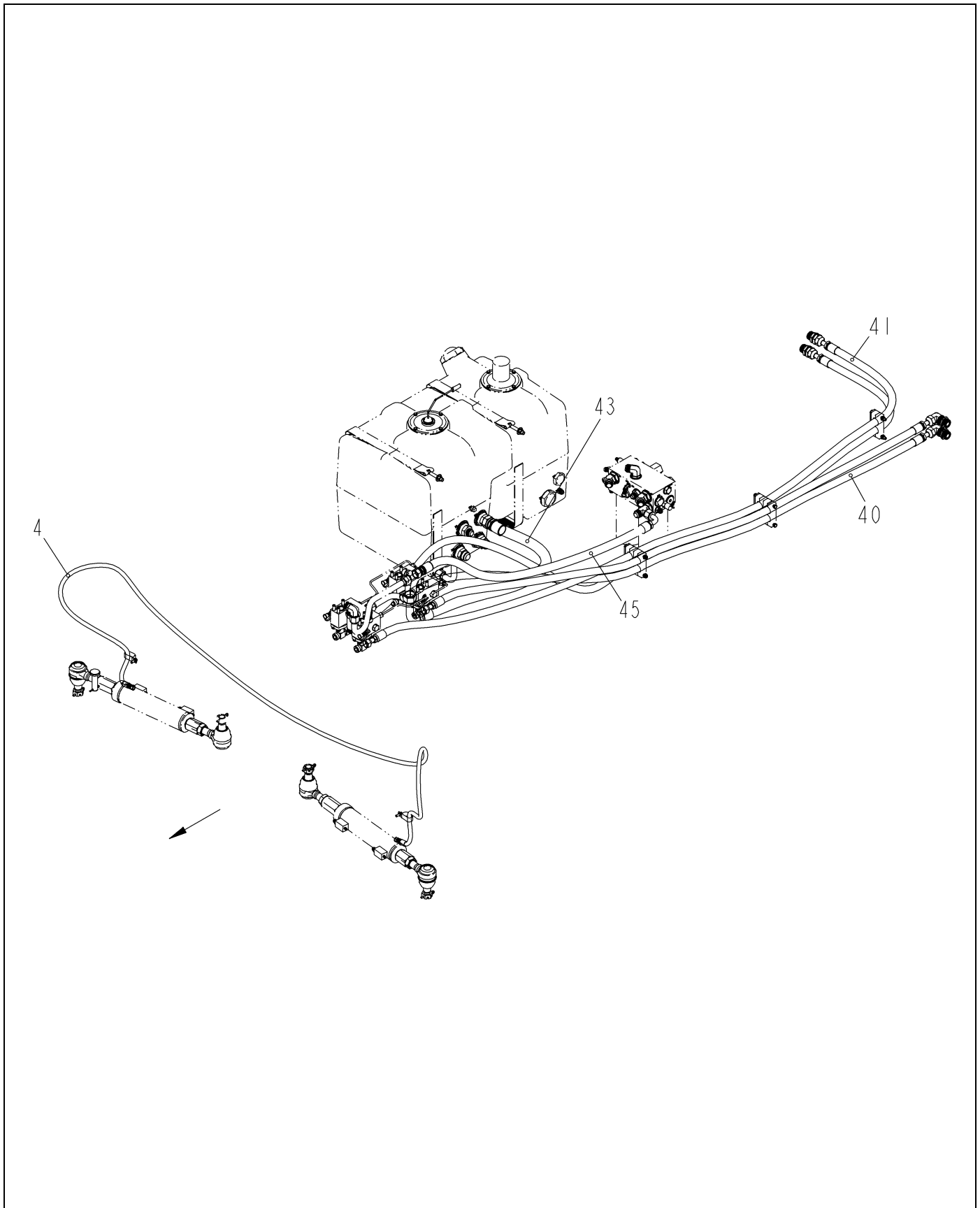


509410D1-02-R220-02.TIF

HOSE INSTL

ITEM	PART #	QTY	DESCRIPTION	COMMENTS
14	AG133268	-	HOSE ASM -8X88.00 FJS/FJS90	
15	AG133269	-	HOSE ASM -8X116.00 FJS/FJS90	
16	AG133270	-	HOSE ASM -4X90.00 FJS/FJS90	
17	AG133271	-	HOSE ASM -4X122.00 FJS/FJS90	
23	AG220601	-	HOSE ASM -6 28.00 R1AT	
24	AG231239	-	HOSE ASM -4 72.00 R1AT	
27	AG237290	-	HOSE ASM -12X85,FORFS/FL90	
28	AG237293	-	HOSE ASM -6X136.00,FJS/FJS90	
30	AG260060	-	HOSE ASM -12X97.00 FORFS/FL90	
31	AG260063	-	HOSE ASM -8X129.00 FJS/FJS90	
32	AG260107	-	HOSE ASM -8X98.00 FJS/FJS90	
33	AG260919	-	HOSE ASM -4X99.00 FJS/FJS90	
34	AG260921	-	HOSE ASM -4X132.00 FJS/FJS90	
35	AG261515	-	HOSE ASM -6X109.00 FJS/FJS90	
38	507957D1	-	HOSE ASM-12X38 FORFS/16FORFS	

HOSE INSTL

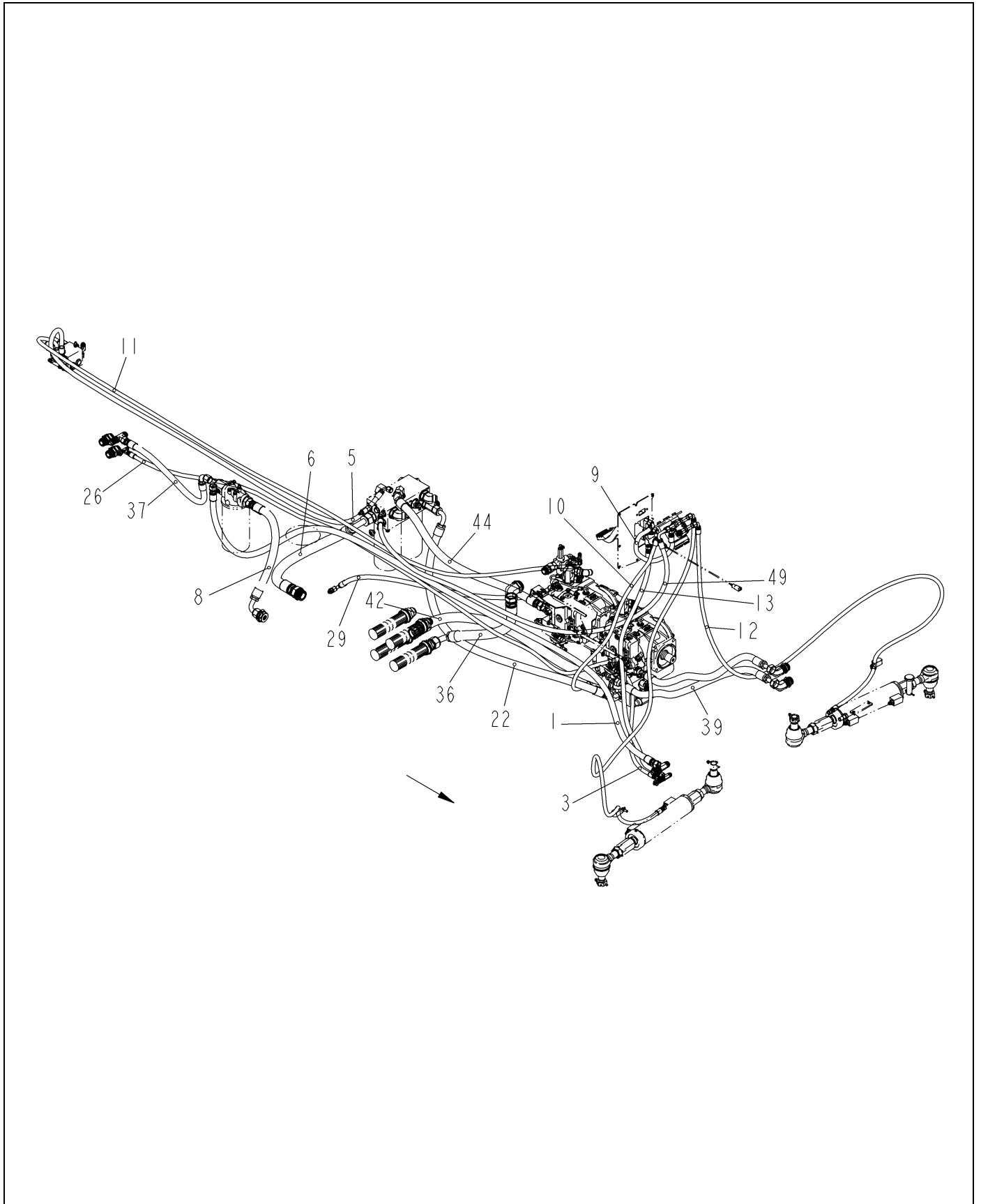


509410D1-02-R220-03.TIF

HOSE INSTL

ITEM	PART #	QTY	DESCRIPTION	COMMENTS
4	AG129283	-	HOSE ASM -6X210.00,FJS/FJS	
40	507959D1	-	HOSE ASM-12X108 FORFS/16FORFS	
41	507960D1	-	HOSE ASM-12X150 FORFS/16FORFS	
43	507962D1	-	HOSE ASM -20X49.5 FJS/FJS90L	
45	507964D1	-	HOSE ASM -16X51 FJS/FJS90	

HOSE INSTL

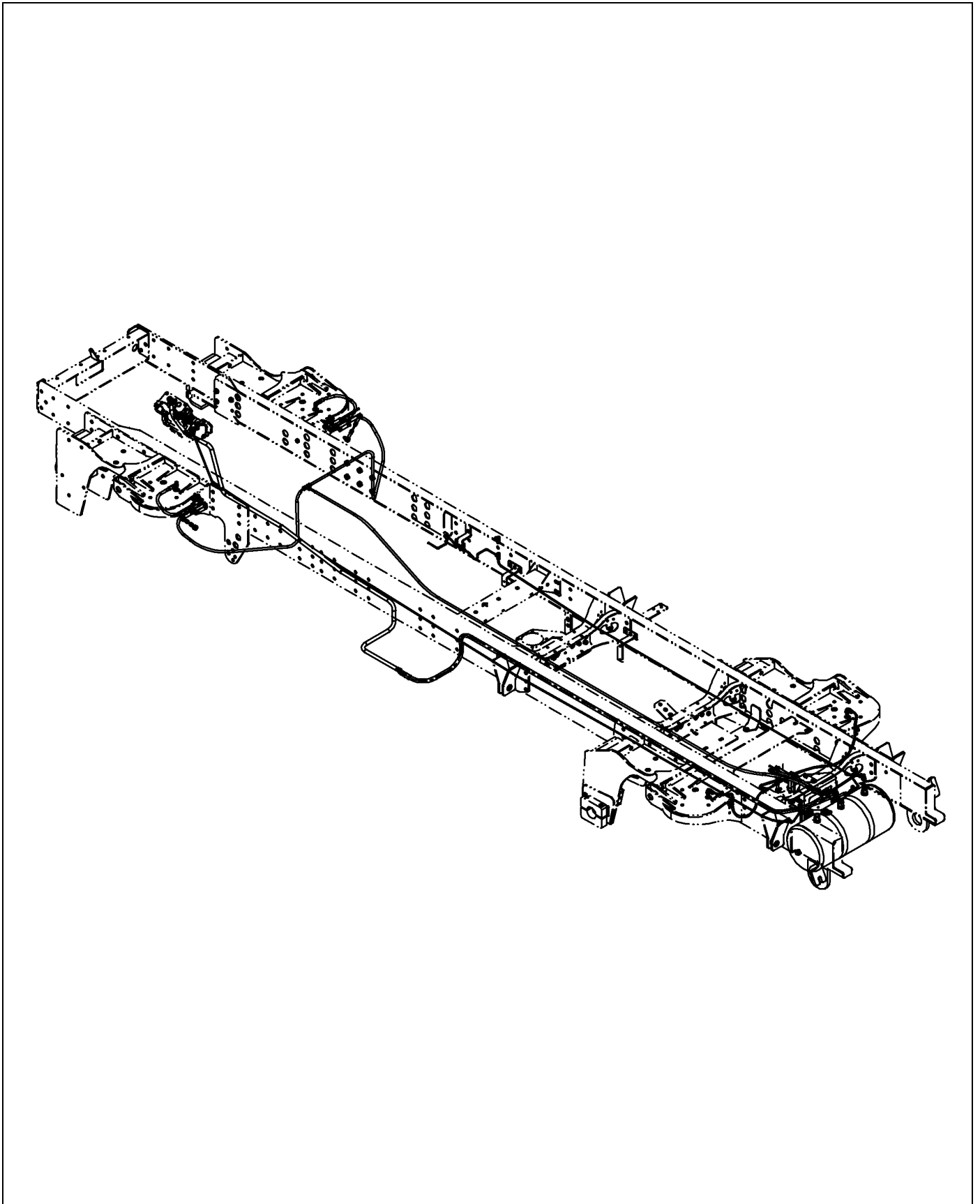


509410D1-02-R220-04.TIF

HOSE INSTL

ITEM	PART #	QTY	DESCRIPTION	COMMENTS
1	AG121986	-	HOSE ASM -12X121.00 FJS/FJS	
3	WR129227	-	HOSE ASM -6X36.00 FJS/FJS90	
5	AG130288	-	HOSE ASM-8 X 109 FJS/FJS90	
6	AG130294	-	HOSE ASM -20 X 32.5 FJS/FJS	
8	AG130299	-	HOSE ASM-16 X 26.00 FJS/FJS90	
9	AG130317	-	HOSE ASM -8 X 23 FJS/12FJS90	
10	AG130318	-	HOSE ASM -6 X 72 FJS/8FJS90	
11	AG130319	-	HOSE ASM-6 X 144.5 FJS/FJS90	
12	AG130329	-	HOSE ASM -6 X 160 FJS/8FJS90	
13	AG130332	-	HOSE ASM -8 X 70.5 FJS/FJS	
22	AG135588	-	HOSE ASM-16X71.00 FJS/FJS	
26	AG235986	-	HOSE ASM -6X133.00 FJS/FJS90L	
29	AG239658	-	HOSE ASM -8X52 FJS/FJS90	
36	AG261908	-	HOSE ASM -20X20.00 FJS/FJS90	
37	AG263282	-	HOSE ASM-12X36 R1AT FJS/FJS90	
39	507958D1	-	HOSE ASM-12X44 FORFS/16FORFS	
42	507961D1	-	HOSE ASM-20X34.5 FJS/FJS90L	
44	507963D1	-	HOSE ASM -16X39 FJS/FJS45	
49	512394D1	-	HOSE ASM -8X109.00 FJS/FJS90	

AIR SYSTEM INSTL-CHASSIS	6-1
AIR SYSTEM INSTL-CHASSIS	6-2
AIR SYSTEM INSTL-CHASSIS	6-3
AIR SYSTEM INSTL-CHASSIS	6-4
AIR SYSTEM INSTL-CHASSIS	6-5
AIR SYSTEM INSTL-CHASSIS	6-6
VLV INSTL-AIR HGT CONT,1264	6-7
VLV INSTL-AIR HGT CONT,1264	6-8
VLV INSTL-AIR HGT CONT,1264	6-9
VALVE ASM-CONTROL,REAR	6-10
VALVE ASM-CONTROL,FRONT,RH	6-11
VALVE ASM-CONTROL,FRONT,LH	6-12
SOLENOID-RWK,EXH BRAKE	6-13
OPT-HIGH VOLUME AIR SYSTEM	6-14
RESERVOIR ASM-AIR,HI-VOL,10L	6-15
DRYER-AIR,SINGLE CANISTER	6-16
RESERVOIR ASM-AIR,STD,48L	6-17
GOVERNOR AIR	6-18
SOLENOID INSTL-HORN,AIR	6-19
FITING INSTL-AIRLINE,CAB,1274C	6-20

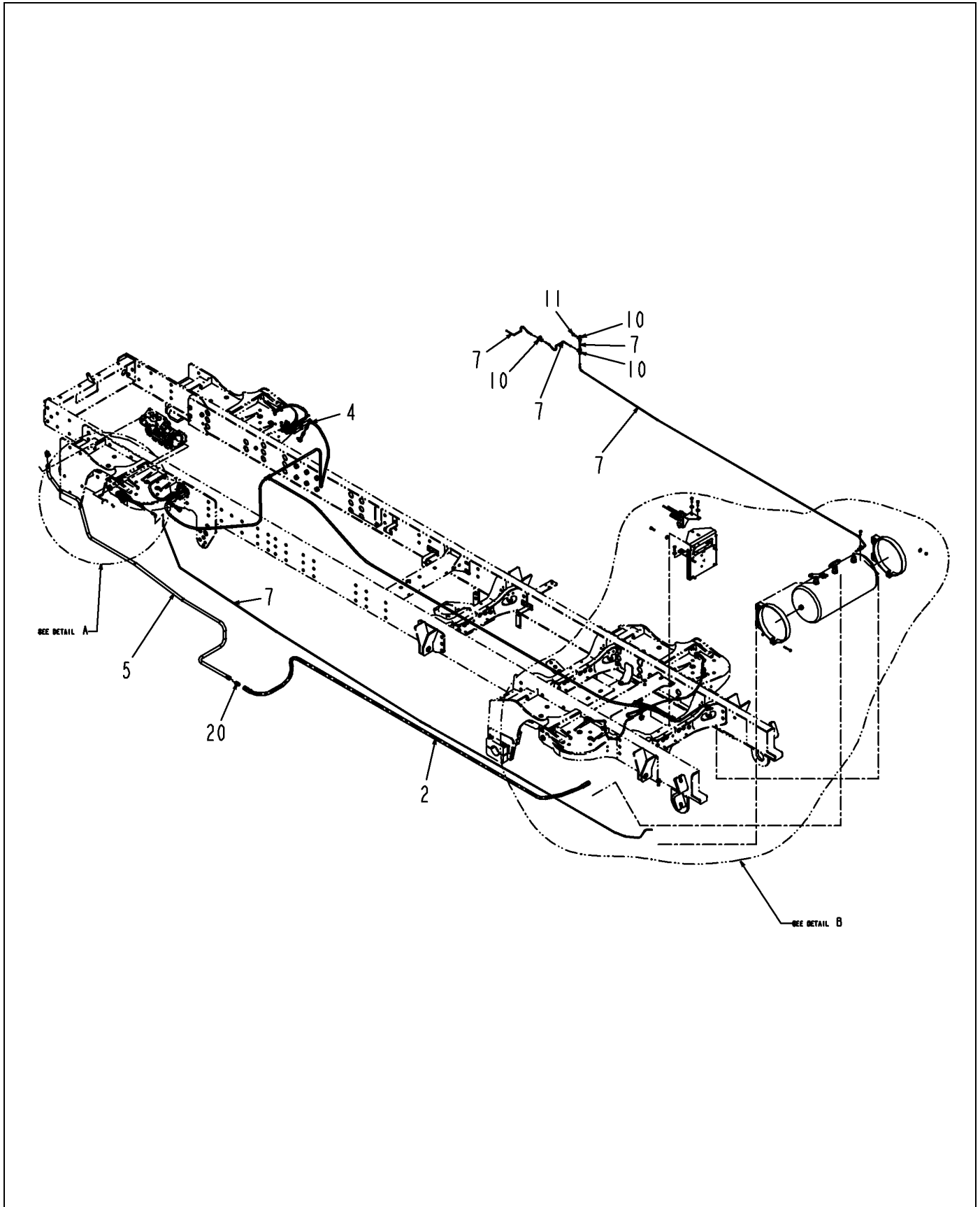


504809D1-06-R375-01.TIF

AIR SYSTEM INSTL-CHASSIS

ITEM	PART #	QTY	DESCRIPTION	COMMENTS
	FOOTNOTE		ASSEMBLY DETAIL IMAGE, SEE RELATED PAGES FOR FURTHER BREAKDOWNS	

AIR SYSTEM INSTL-CHASSIS

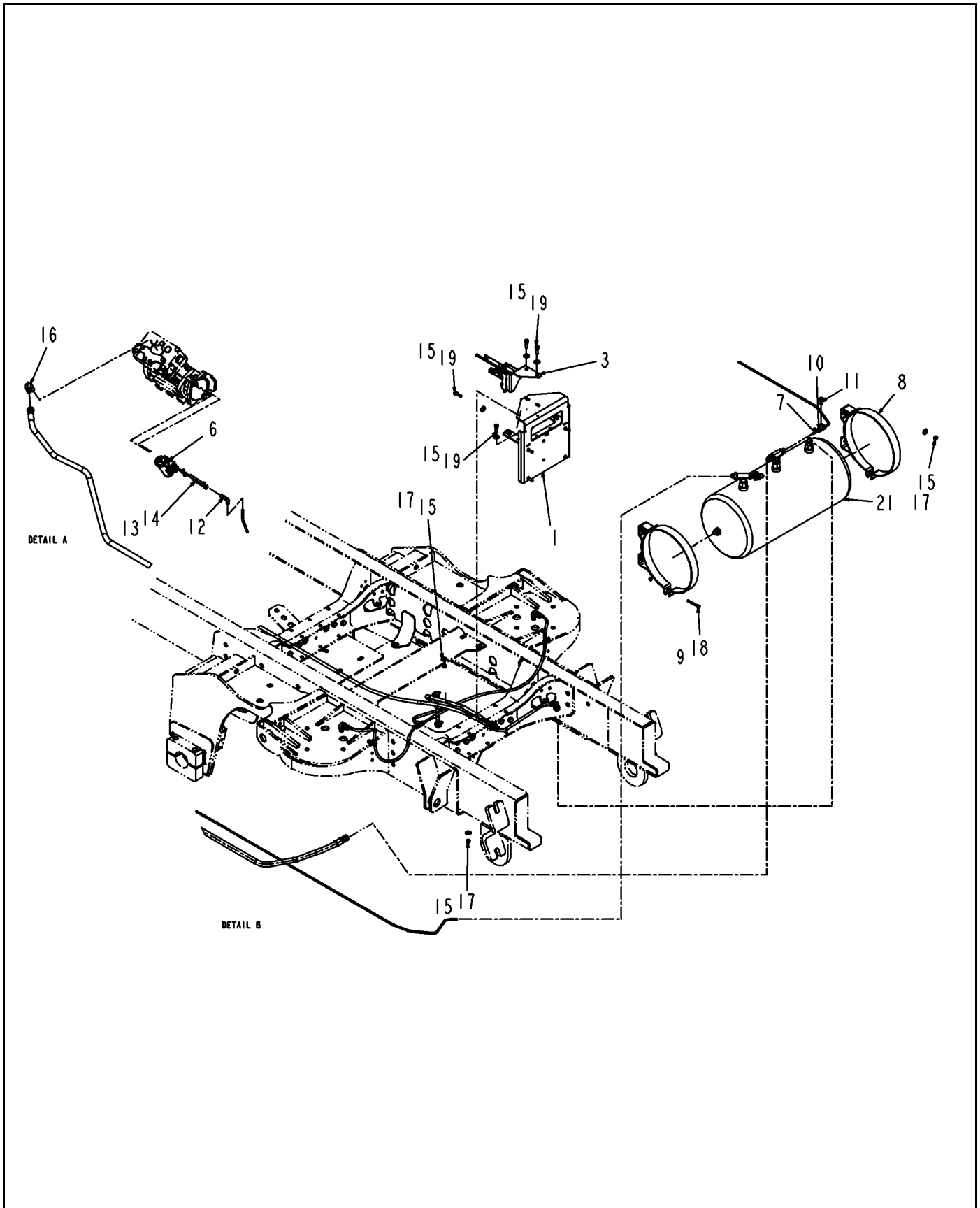


504809D1-06-R375-02.TIF

AIR SYSTEM INSTL-CHASSIS

ITEM	PART #	QTY	DESCRIPTION	COMMENTS
2	AG130212	-	HOSE ASM-8X140 FJS/FJS	
4	AG130350	1	VLV INSTL-AIR HGT CONT,1264	SEE PAGE 6-9
5	AG224865	-	HOSE ASM -8 X 102.00 TEFLON/SS	
7	AG511021	-	TUBING 0.25 OD NYLON BLACK [BULK: 33.500 FT]	
10	AG516206	4	TEE UNION 0.25 TUBE AUTO LOCK	
11	AG516431	2	PLUG STEM 0.25 (AUTOLOCK)	
20	AG561780	1	ADAP STR 0.50MJIC X 0.50MJIC	

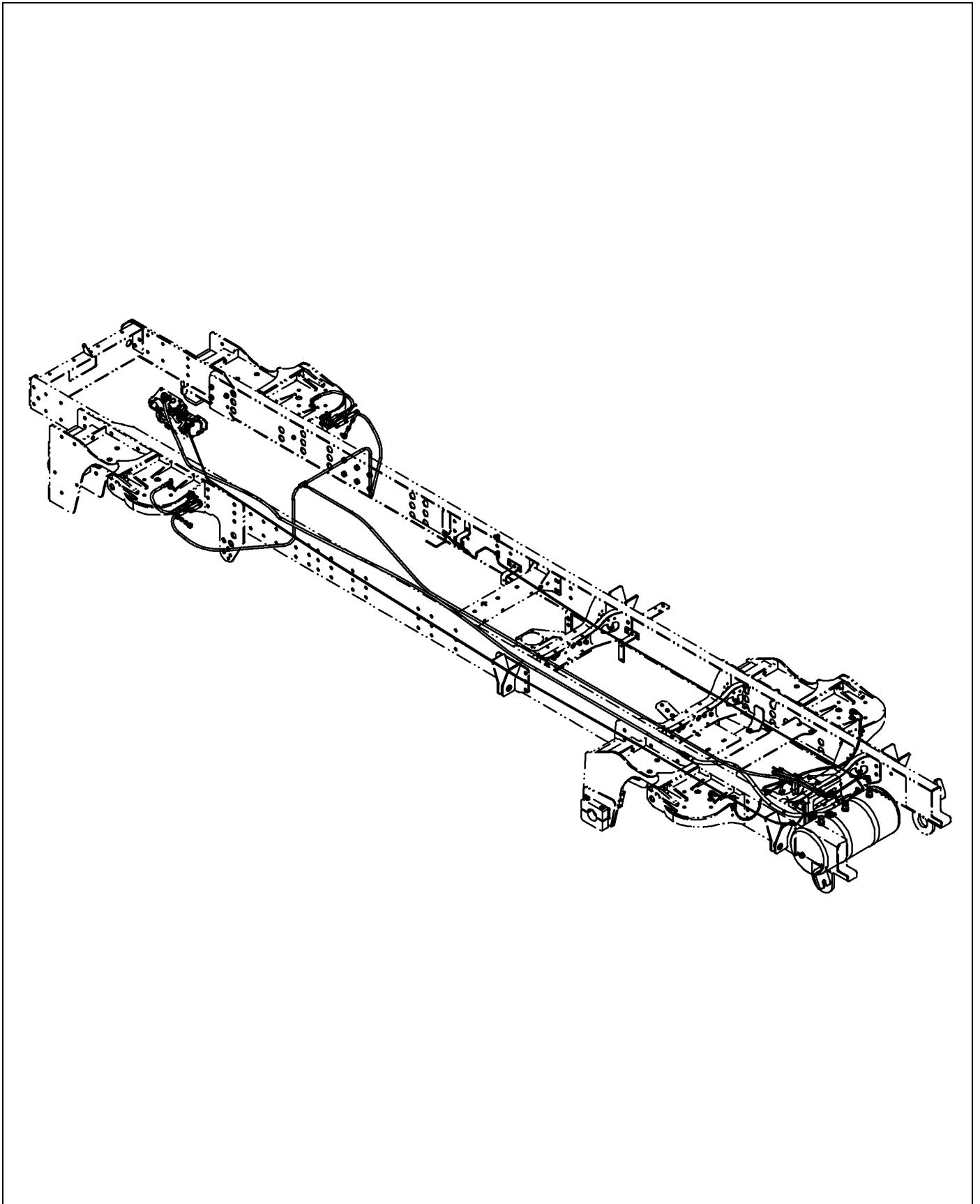
AIR SYSTEM INSTL-CHASSIS



504809D1-06-R375-03.TIF

AIR SYSTEM INSTL-CHASSIS

ITEM	PART #	QTY	DESCRIPTION	COMMENTS
1	AG130208	1	SUPPORT WLDMT-AIR TANK,51L	
3	AG130348	1	BRKT-VALVE MTG,HGT CTRL,REAR	
6	AG511005	1	GOVERNOR AIR	SEE PAGE 6-18
7	AG511021	-	TUBING 0.25 OD NYLON BLACK [BULK: 33.500 FT]	
8	AG514451	2	BAND ASM-AIR CLEANER 11.81DIAY	
9	AG515123	2	NUT 0.25-20NC HEX SS REG	
10	AG516206	4	TEE UNION 0.25 TUBE AUTO LOCK	
11	AG516431	2	PLUG STEM 0.25 (AUTOLOCK)	
12	AG522196	1	ELBOW-90D,SWVL,L,.12MNPTFX.25T	
13	AG550205	2	WASHER 0.31 LK ZN REG	
14	AG550906	2	BOLT 0.31-18NCX 3.00 G5 ZN HHD	
15	AG551015	20	WASHER 0.31 FL ZN REG TYPE-B	
16	AG552860	1	ELBOW -8MP90 X -8MJ	
17	AG557668	10	NUT 0.31-18NC HEX ZN C-LK	
18	AG561528	2	BOLT 0.25-20NCX 2.50 G5 ZN HHD	
19	AG561728	10	BOLT 0.31-18NCX 1.25 G8 ZN HHD	
21	504808D1	1	RESERVOIR ASM-AIR,STD,48L	SEE PAGE 6-17

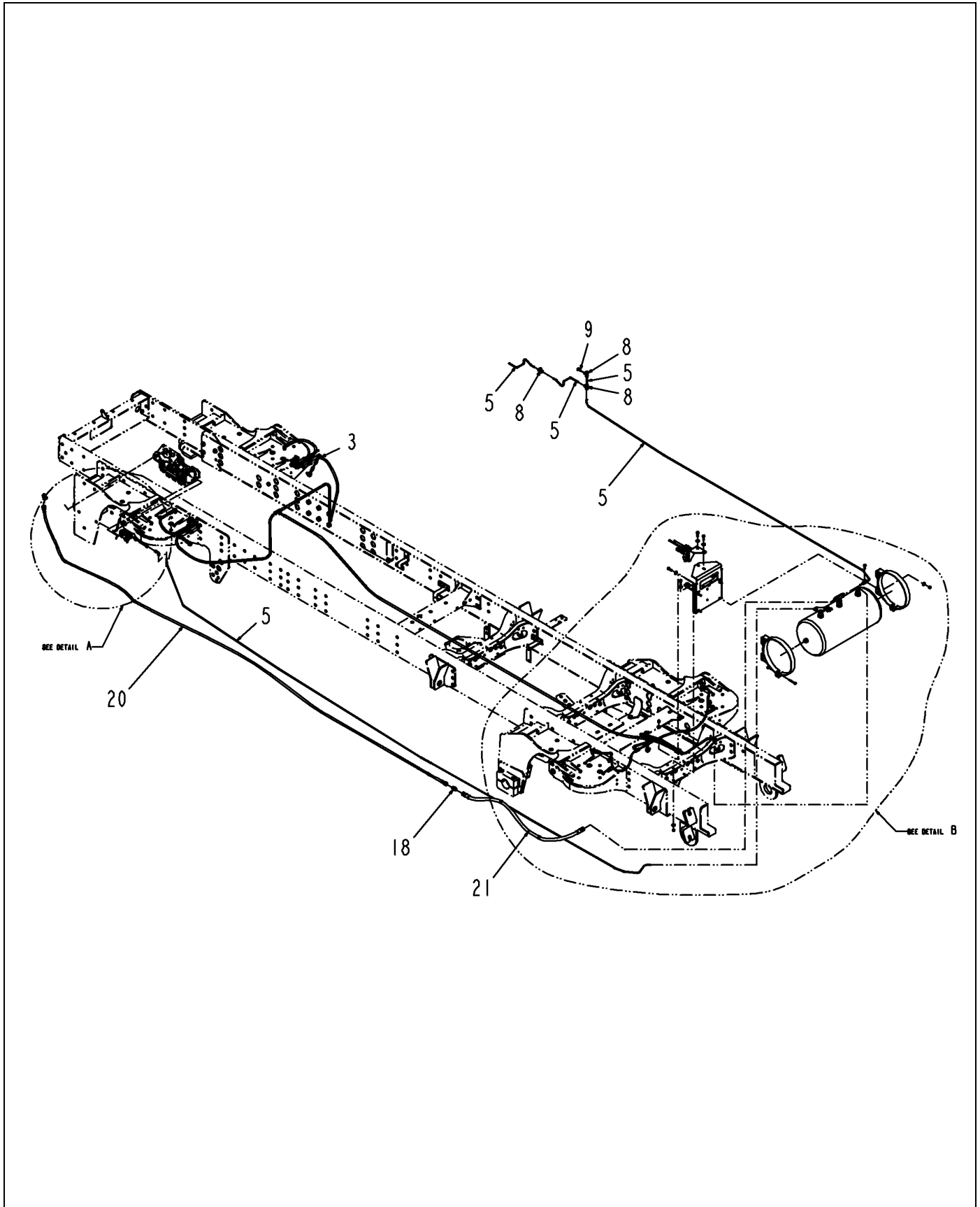


515408D1-02-R375-01.TIF

AIR SYSTEM INSTL-CHASSIS

ITEM	PART #	QTY	DESCRIPTION	COMMENTS
	FOOTNOTE		ASSEMBLY DETAIL IMAGE, SEE RELATED PAGES FOR FURTHER BREAKDOWNS	
	FOOTNOTE		Effective S/N (Txx1001) and up.	

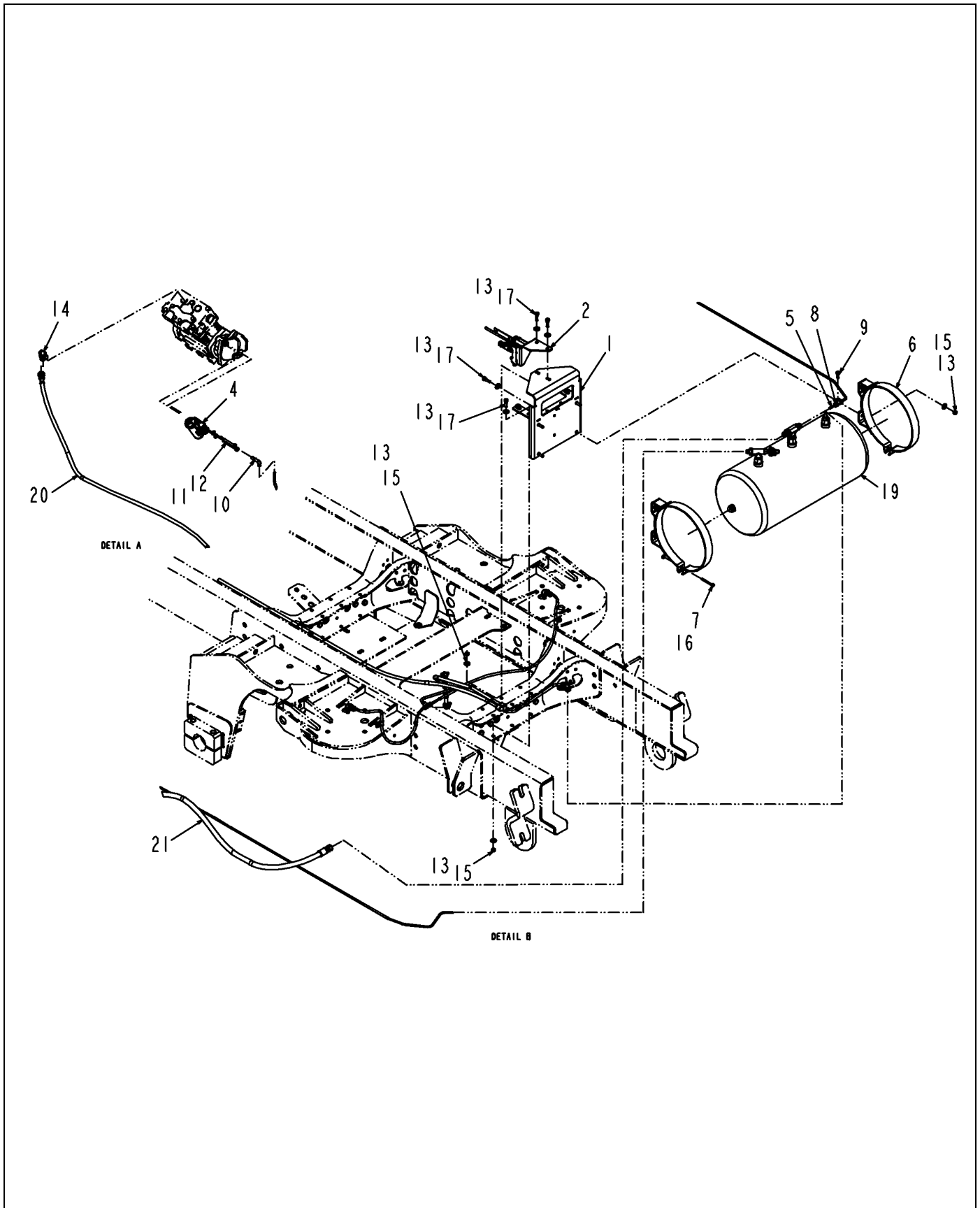
AIR SYSTEM INSTL-CHASSIS



515408D1-02-R375-02.TIF

AIR SYSTEM INSTL-CHASSIS

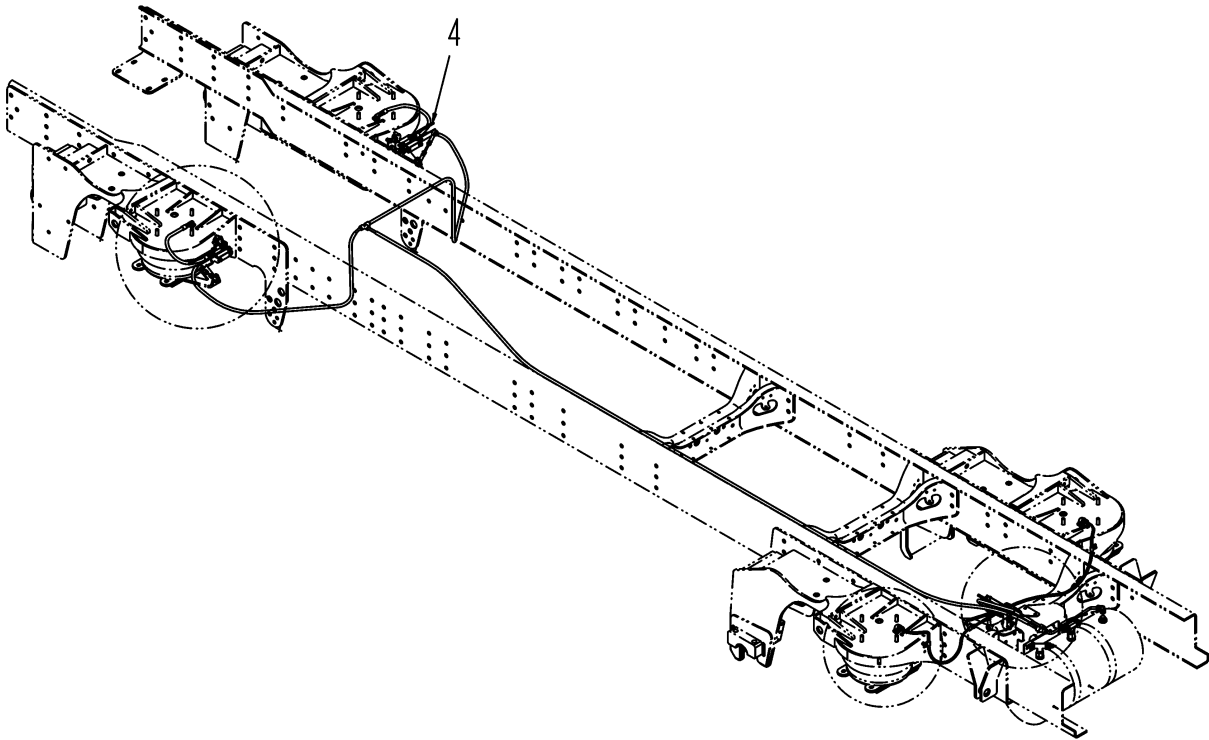
ITEM	PART #	QTY	DESCRIPTION	COMMENTS
3	AG130350	1	VLV INSTL-AIR HGT CONT,1264	SEE PAGE 6-9
5	AG511021	-	TUBING 0.25 OD NYLON BLACK [BULK: 33.500 FT]	
8	AG516206	4	TEE UNION 0.25 TUBE AUTO LOCK	
9	AG516431	2	PLUG STEM 0.25 (AUTOLOCK)	
18	AG561780	1	ADAP STR 0.50MJIC X 0.50MJIC	
20	515403D1	-	HOSE ASM -8X182.64 TEFLON SS	
21	515409D1	-	HOSE ASM-8X48.32 FJS/FJS	
	FOOTNOTE		Effective S/N (Txx1001) and up.	



515408D1-02-R375-03.TIF

AIR SYSTEM INSTL-CHASSIS

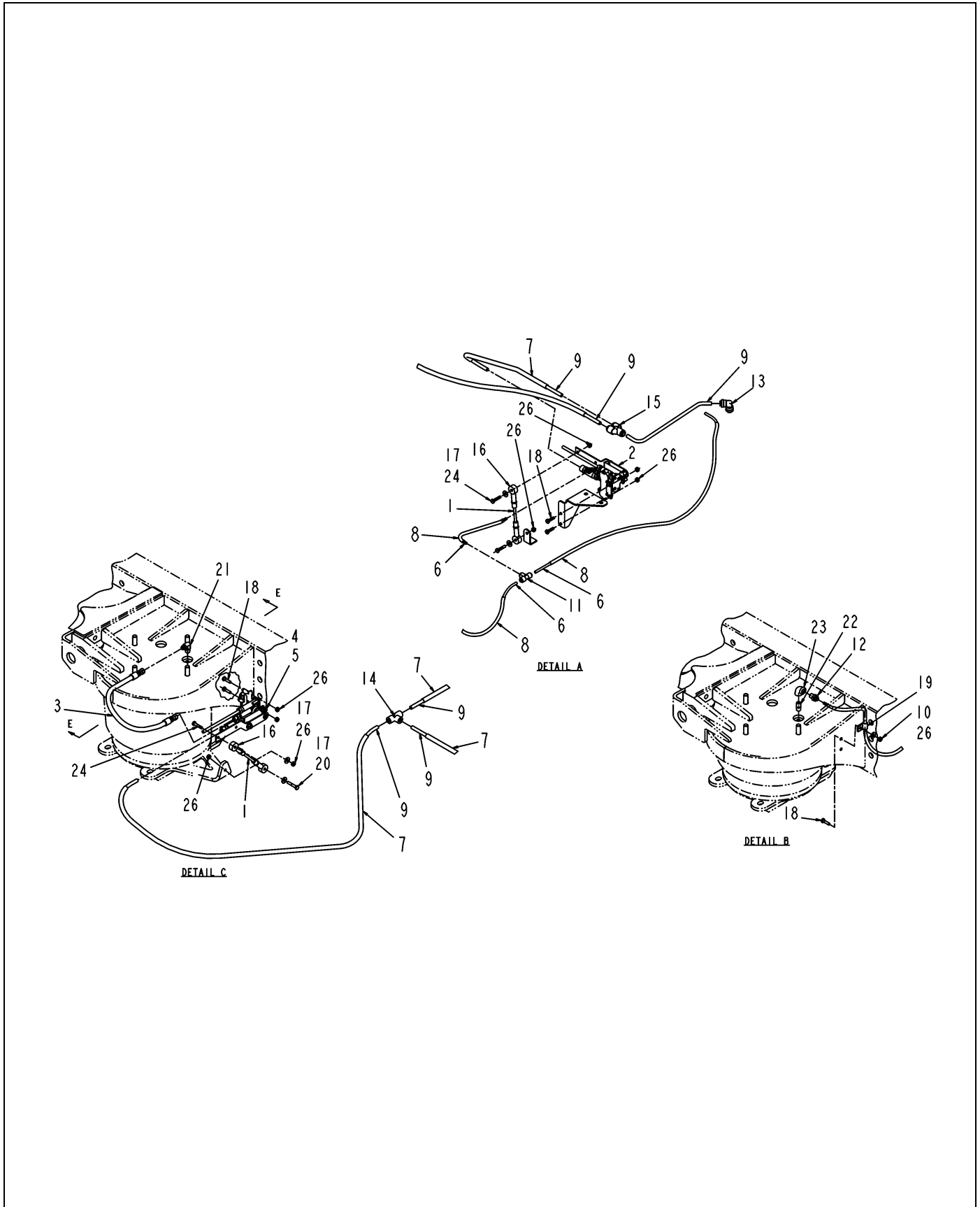
ITEM	PART #	QTY	DESCRIPTION	COMMENTS
1	AG130208	1	SUPPORT WLDMT-AIR TANK,51L	
2	AG130348	1	BRKT-VALVE MTG,HGT CTRL,REAR	
4	AG511005	1	GOVERNOR AIR	SEE PAGE 6-18
5	AG511021	-	TUBING 0.25 OD NYLON BLACK [BULK: 33.500 FT]	
6	AG514451	2	BAND ASM-AIR CLEANER 11.81DIAY	
7	AG515123	2	NUT 0.25-20NC HEX SS REG	
8	AG516206	4	TEE UNION 0.25 TUBE AUTO LOCK	
9	AG516431	2	PLUG STEM 0.25 (AUTOLOCK)	
10	AG522196	1	ELBOW-90D,SWVL,L,.12MNPTFX.25T	
11	AG550205	2	WASHER 0.31 LK ZN REG	
12	AG550906	2	BOLT 0.31-18NCX 3.00 G5 ZN HHD	
13	AG551015	20	WASHER 0.31 FL ZN REG TYPE-B	
14	AG552860	1	ELBOW -8MP90 X -8MJ	
15	AG557668	10	NUT 0.31-18NC HEX ZN C-LK	
16	AG561528	2	BOLT 0.25-20NCX 2.50 G5 ZN HHD	
17	AG561728	10	BOLT 0.31-18NCX 1.25 G8 ZN HHD	
19	504808D1	1	RESERVOIR ASM-AIR,STD,48L	SEE PAGE 6-17
20	515403D1	-	HOSE ASM -8X182.64 TEFLON SS	
21	515409D1	-	HOSE ASM-8X48.32 FJS/FJS	
	FOOTNOTE		Effective S/N (Txx1001) and up.	



130350-05-M703-01.TIF

VLV INSTL-AIR HGT CONT,1264

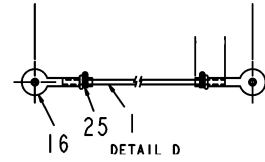
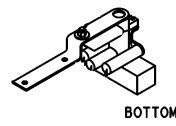
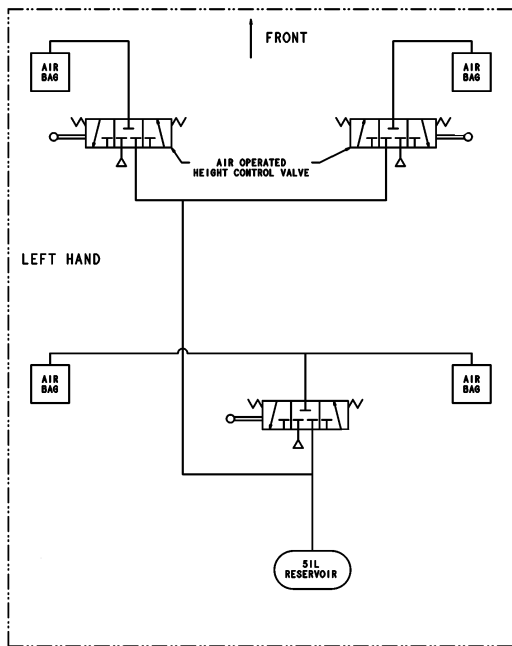
ITEM	PART #	QTY	DESCRIPTION	COMMENTS
4	AG326064	1	VALVE ASM-CONTROL,FRONT,RH	SEE PAGE 6-11



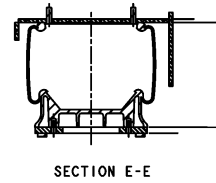
130350-05-M703-02.TIF

VLV INSTL-AIR HGT CONT,1264

ITEM	PART #	QTY	DESCRIPTION	COMMENTS
1	AG109897	3	ROD-CONNECTING,LINK,END	
2	AG130351	1	VALVE ASM-CONTROL,REAR	SEE PAGE 6-10
3	AG220024	2	HOSE ASM -4 18.00 R1AT	
4	AG326064	1	VALVE ASM-CONTROL,FRONT,RH	SEE PAGE 6-11
5	AG326121	1	VALVE ASM-CONTROL,FRONT,LH	SEE PAGE 6-12
6	AG511021	-	TUBING 0.25 OD NYLON BLACK [BULK: 7.334 FT]	
7	AG512249	-	FLEX GUARD .500LCP [BULK: 27.084 FT]	
8	AG512273	-	FLEX GUARD .350LCP [BULK: 6.417 FT]	
9	AG514288	-	TUBING-THERMOPLASTIC,J844-B, [BULK: 30.750 FT]	
10	AG515121	2	WASHER 0.25 FL SS REG TYPE-B	
11	AG516206	1	TEE UNION 0.25 TUBE AUTO LOCK	
12	AG516233	2	CONN STR .25 TUBE X .25 NPT AL	
13	AG516476	1	ELBOW UNION 0.37 TUBE AUTOLOCK	
14	AG516478	1	TEE UNION 0.37 TUBE AUTO LOCK	
15	AG518764	1	Y UNION	
16	AG522813	6	LINK-CONNECTING,END	
17	AG550507	6	WASHER 0.25 FL ZN REG TYPE-B	
18	AG550698	8	BOLT 0.25-20NCX 1.00 G5 ZN HHD	
19	AG550892	2	CLAMP 0.31 COATED HOSE CO	
20	AG550949	2	BOLT 0.25-20NCX 1.50 G5 ZN HHD	
21	AG553522	2	ELBOW -4MP90 X -4MJ	
22	AG555193	2	NIPPLE .25NPT X .87CLS WR ST	
23	AG555215	2	ELBOW 90D 0.25NPT MAL IR PL	
24	AG558788	4	BOLT 0.25-20NCX 1.25 G5 ZN HHD	
26	AG604216	14	NUT 0.25-20NC HEX ZN REG NY	
26	6515575	6	CLAMP-HOSE R/B 561025	



RIGHT HAND

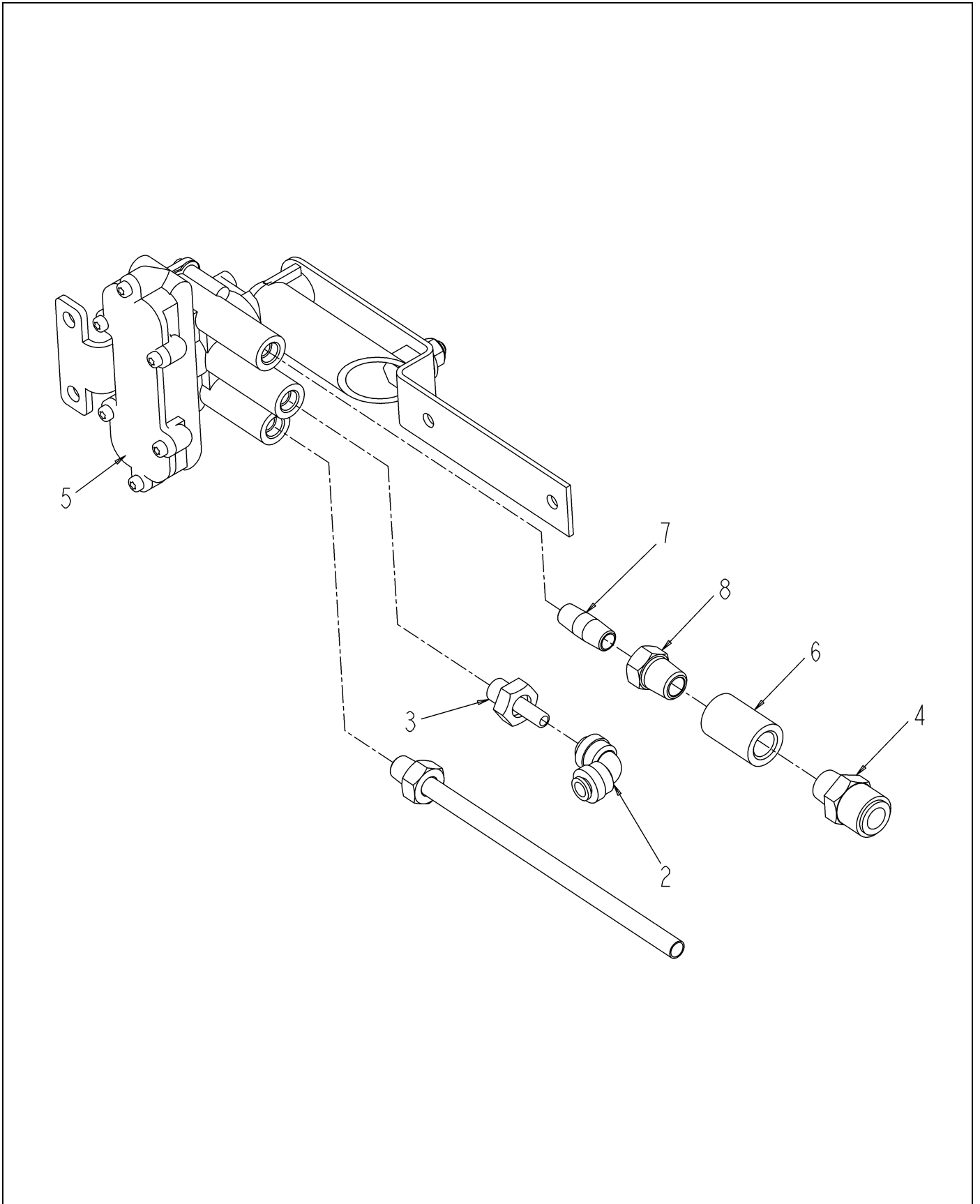


130350-05-M703-03.TIF

VLV INSTL-AIR HGT CONT,1264

ITEM	PART #	QTY	DESCRIPTION	COMMENTS
1	AG109897	3	ROD-CONNECTING,LINK,END	
16	AG522813	6	LINK-CONNECTING,END	
25	AG561025	6	CLAMP HOSE .218 TO .625 U5S	

VALVE ASM-CONTROL,REAR

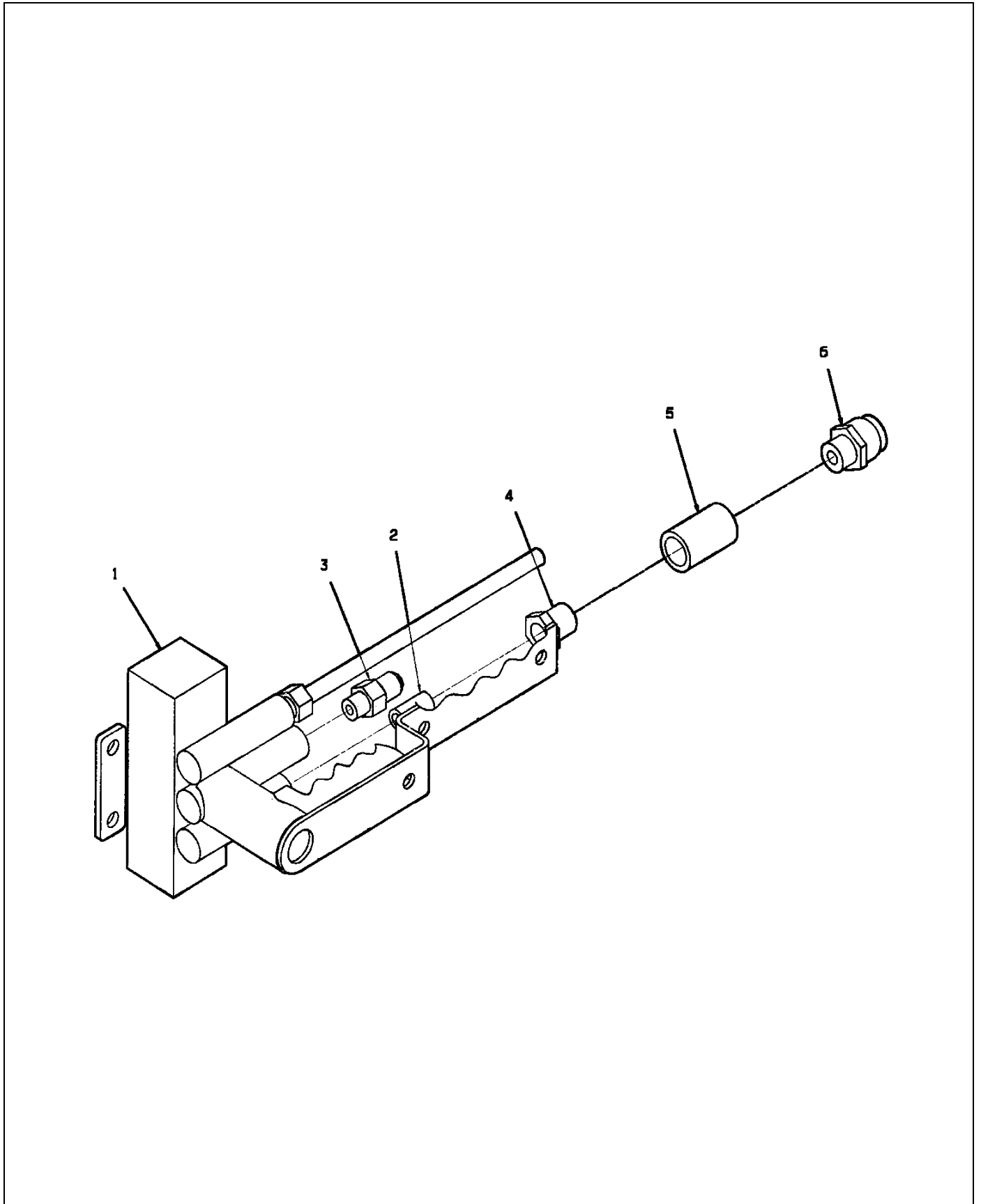


130351.TIF

VALVE ASM-CONTROL,REAR

ITEM	PART #	QTY	DESCRIPTION	COMMENTS
1	AG513916	AR	LOCTITE HYD SEALANT BROWN	
2	AG516229	1	ELBOW,UNION 0.25TUBE AUTO LCK	
3	AG516231	1	STEM MALE TUBE 0.25X0.12	
4	AG516481	1	CONNECTOR M 0.38X0.25NPT AUTLK	
5	AG522349	1	VALVE-CONTROL,HEIGHT,CR	
6	AG553115	1	COUPLING 0.25NPS PIPE STEEL PL	
7	AG556696	1	NIPPLE .12NPT X .75CLS WR ST	
8	AG558486	1	BUSHG 0.25X 0.12NPT HX REDG	

VALVE ASM-CONTROL,FRONT,RH

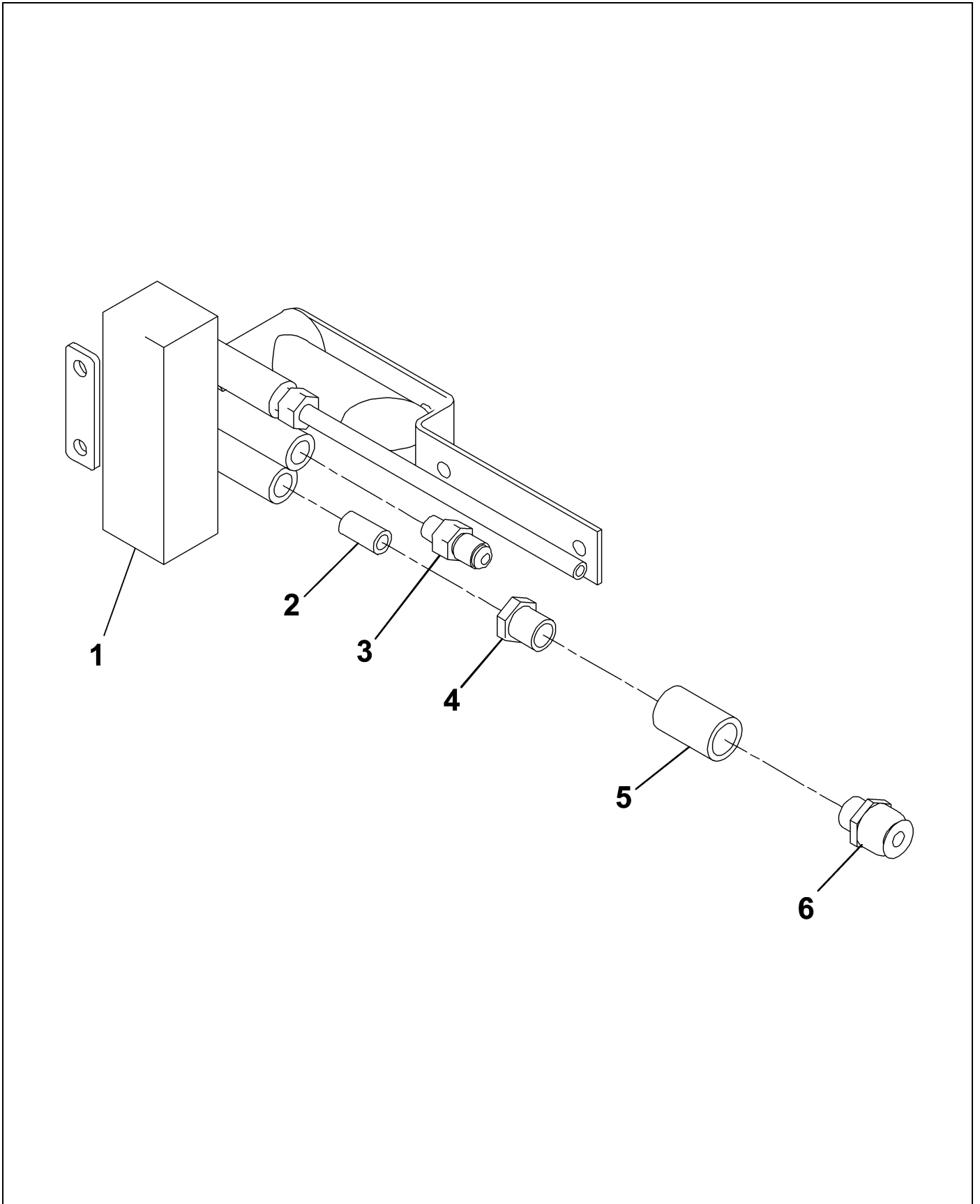


326064-B-1.TIF

VALVE ASM-CONTROL,FRONT,RH

ITEM	PART #	QTY	DESCRIPTION	COMMENTS
1	AG522349	1	VALVE-CONTROL,HEIGHT,CR	
2	AG556696	1	NIPPLE .12NPT X .75CLS WR ST	
3	AG553530	1	ADAP STR -2MP X -4MJ	
4	AG558486	1	BUSHG 0.25X 0.12NPT HX REDG	
5	AG553115	1	COUPLING 0.25NPS PIPE STEEL PL	
6	AG516481	1	CONNECTOR M 0.38X0.25NPT AUTLK	
7	AG513916	AR	LOCTITE HYD SEALANT BROWN	

VALVE ASM-CONTROL,FRONT,LH

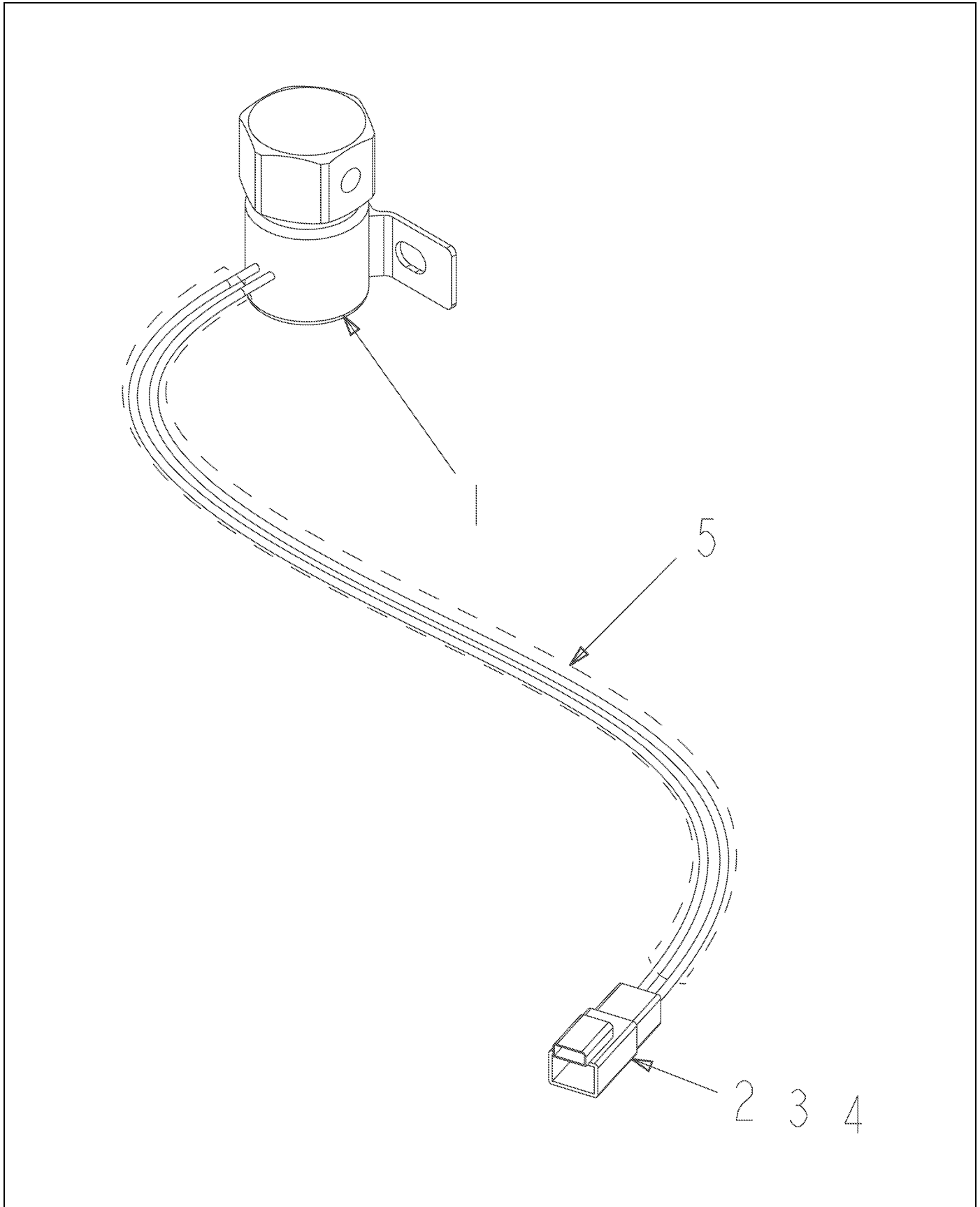


326121.TIF

VALVE ASM-CONTROL,FRONT,LH

ITEM	PART #	QTY	DESCRIPTION	COMMENTS
1	AG522349	1	VALVE-CONTROL,HEIGHT,CR	
2	AG556696	1	NIPPLE .12NPT X .75CLS WR ST	
3	AG553530	1	ADAP STR -2MP X -4MJ	
4	AG558486	1	BUSHG 0.25X 0.12NPT HX REDG	
5	AG553115	1	COUPLING 0.25NPS PIPE STEEL PL	
6	AG516481	1	CONNECTOR M 0.38X0.25NPT AUTLK	
7	AG513916	AR	LOCTITE HYD SEALANT BROWN	

SOLENOID-RWK,EXH BRAKE

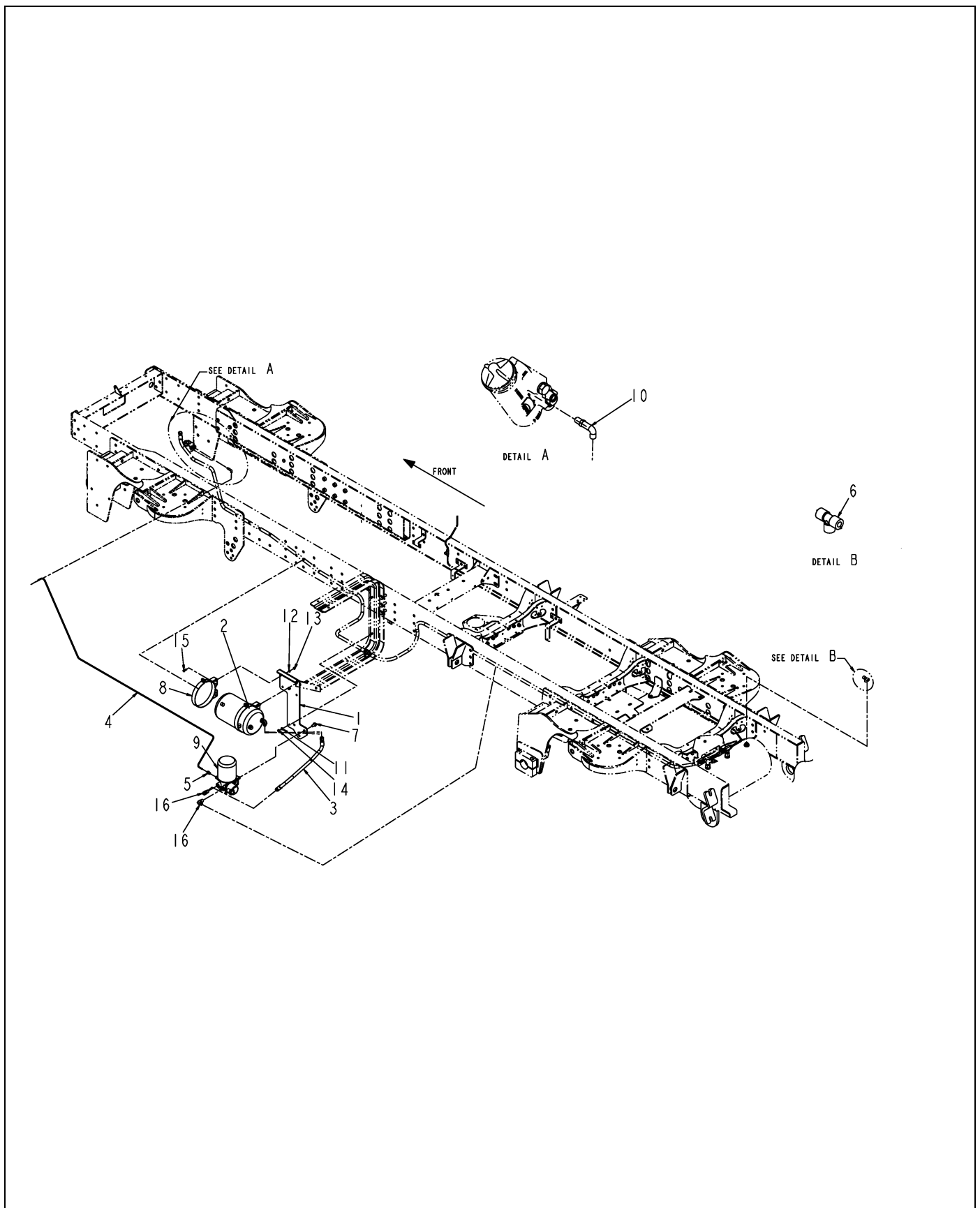


125078-03-N992-.TIF

SOLENOID-RWK,EXH BRAKE

ITEM	PART #	QTY	DESCRIPTION	COMMENTS
1	AG130409	1	VALVE-SOLENOID,EXHAUST BRAKE	
2	AG523363	1	CONN-RCPT,2WAY,18-14GA	
3	AG523366	1	LOCK-RCPT,2WAY	
4	AG523375	2	TERMINAL-PIN,16-18GA,NICKEL	
5	AG562330	-	FLEX GUARD .250 [BULK: 1.500 FT]	

OPT-HIGH VOLUME AIR SYSTEM

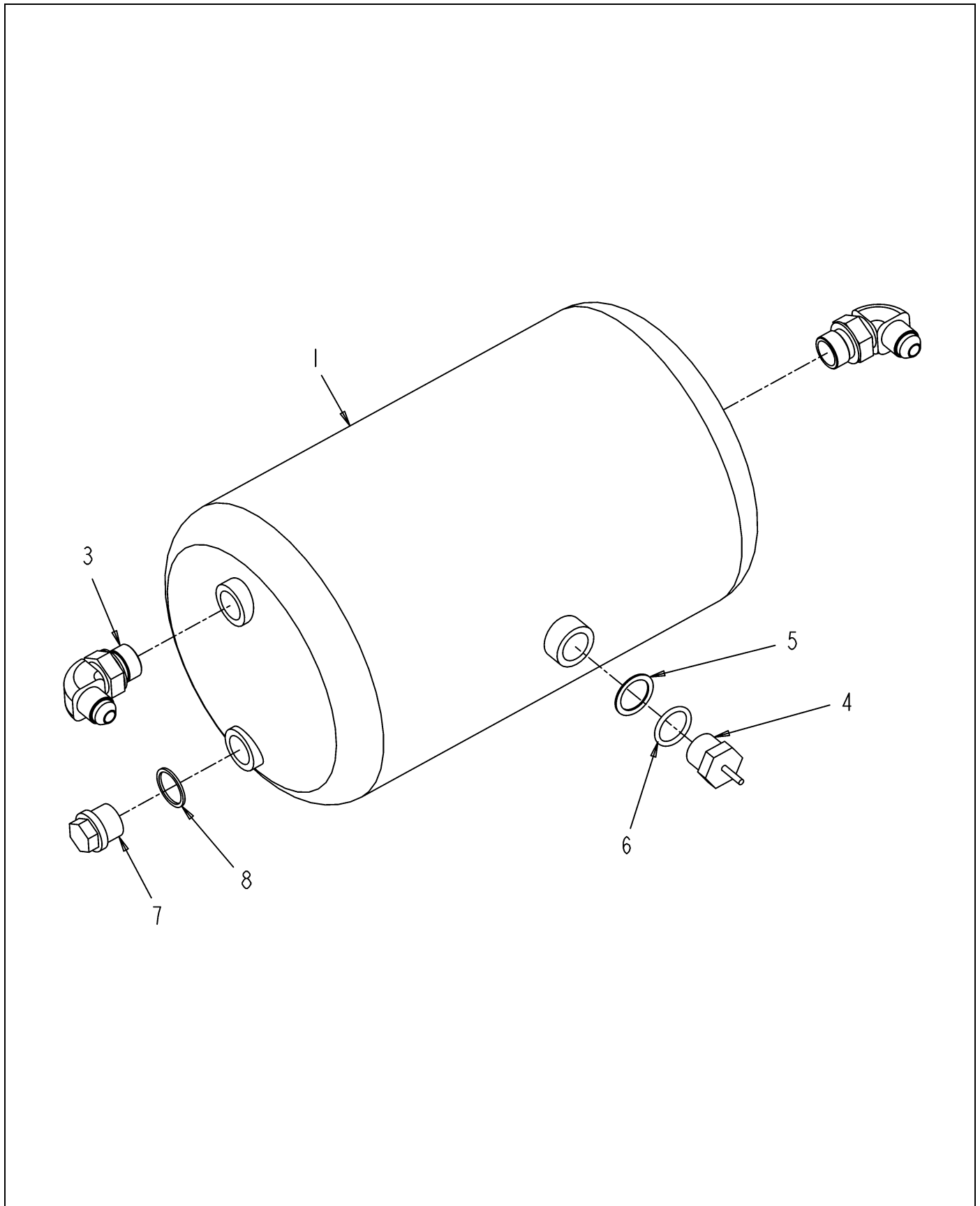


130100-07-N601-.tif

OPT-HIGH VOLUME AIR SYSTEM

ITEM	PART #	QTY	DESCRIPTION	COMMENTS
1	AG123982	1	PLATE-MTG,AIR DRYER/TANK	
2	AG130158	1	RESERVOIR ASM-AIR,HI-VOL,10L	SEE PAGE 6-15
3	AG130217	1	HOSE ASM-8X25.29 FJS/FJS	
4	AG511021	-	TUBING 0.25 OD NYLON BLACK [BULK: 15.250 FT]	
5	AG516233	1	CONN STR .25 TUBE X .25 NPT AL	
6	AG516478	1	TEE UNION 0.37 TUBE AUTO LOCK	
7	AG520627	3	BOLT-.50-13X1.00,G5,ZN,FLG,HHD	
8	AG520940	2	BAND-MOUNTING	
9	AG520964	1	DRYER-AIR,SINGLE CANISTER	SEE PAGE 6-16
10	AG522196	1	ELBOW-90D,SWVL,L,.12MNPTFX.25T	
11	AG550191	2	WASHER 0.37 LK ZN REG	
12	AG550205	4	WASHER 0.31 LK ZN REG	
13	AG550213	4	NUT 0.31-18NC HEX ZN REG	
14	AG550825	2	NUT 0.37-16NC HEX ZN REG	
15	AG551252	4	BOLT 0.31-18NCX 1.00 G5 ZN HHD	
16	AG552860	2	ELBOW -8MP90 X -8MJ	

RESERVOIR ASM-AIR,HI-VOL,10L

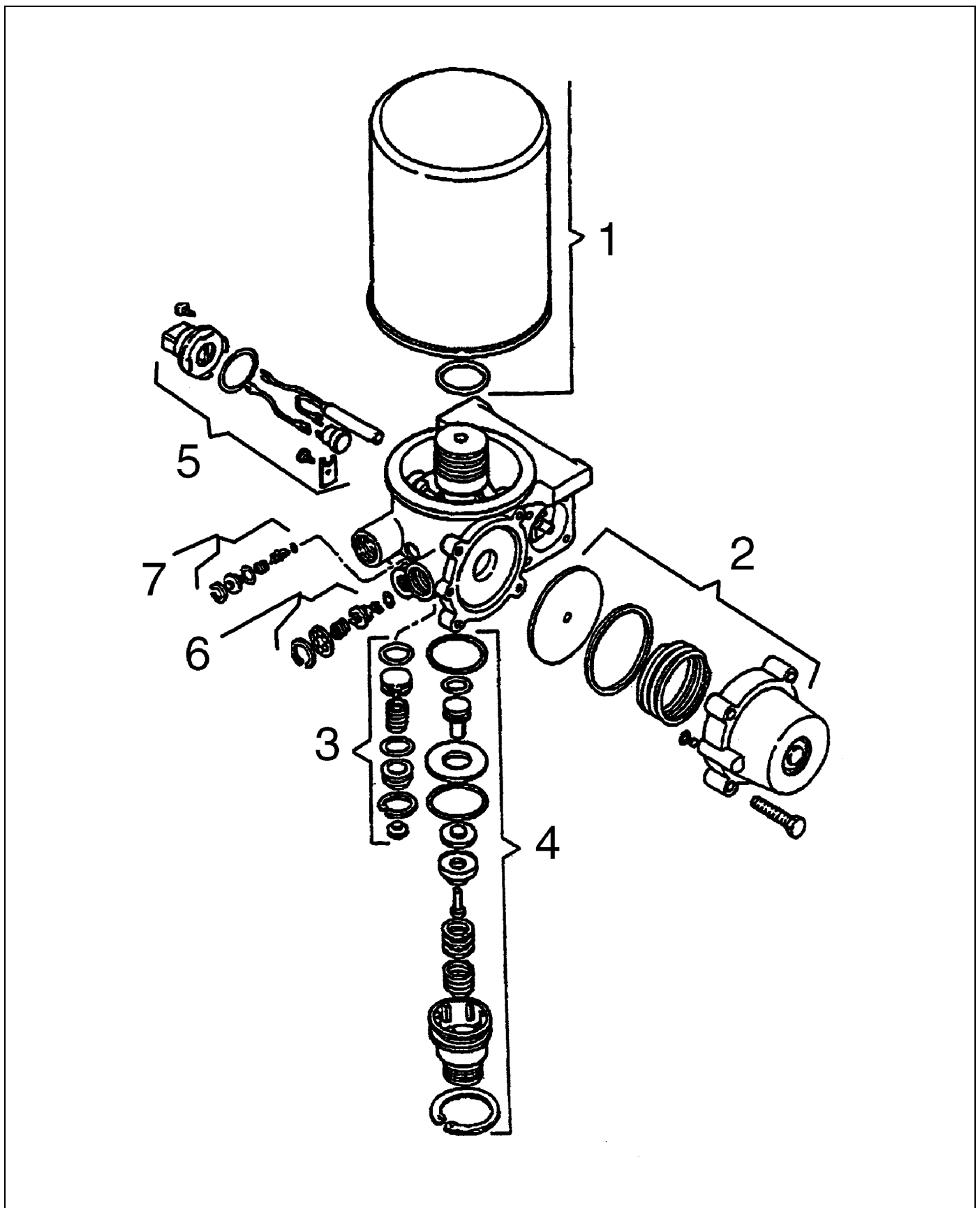


130158-C-1.TIF

RESERVOIR ASM-AIR,HI-VOL,10L

ITEM	PART #	QTY	DESCRIPTION	COMMENTS
1	AG129187	AR	PIPE SEALANT-FLEX BLACK	
2	AG134007	1	RESERVOIR-AIR,HOMOLOCAION,10L	
3	AG520923	2	ELBOW-90D,.75-16MJIC 22-1.5	
4	AG609681	1	DRAIN VALVE	
5	AG609682	1	THRUST RING M-22	
6	AG609683	1	O RING M-22	
7	AG609797	1	PLUG METRIC 22-1.5 ZN	
8	AG609798	1	WASHER METRIC 22 ZN	

DRYER-AIR, SINGLE CANISTER

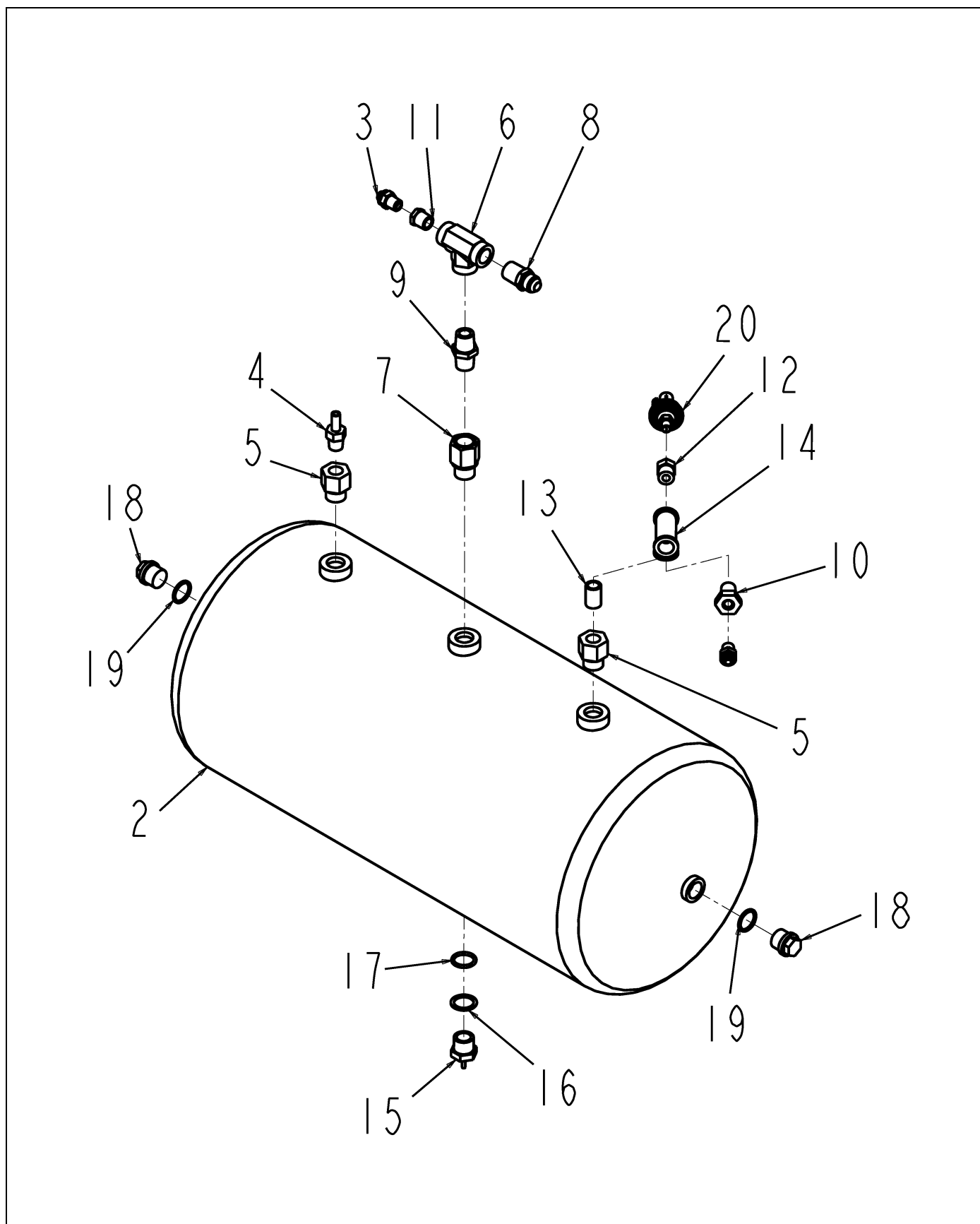


520964.TIF

DRYER-AIR,SINGLE CANISTER

ITEM	PART #	QTY	DESCRIPTION	COMMENTS
1	AG610106	1	DESICCANT CANISTER	
2	AG723382	1	VALVE KIT-REGENERATION 520964	
3	AG723383	1	KIT-TURBO VALVE 520964	
4	AG724201	1	REPAIR KIT	
5	AG723385	1	HEATER KIT 12V (520964)	
6	AG723386	1	KIT-CHECK VALVE OUTLET 520964	
7	AG723380	1	KIT-BYPASS 520964	

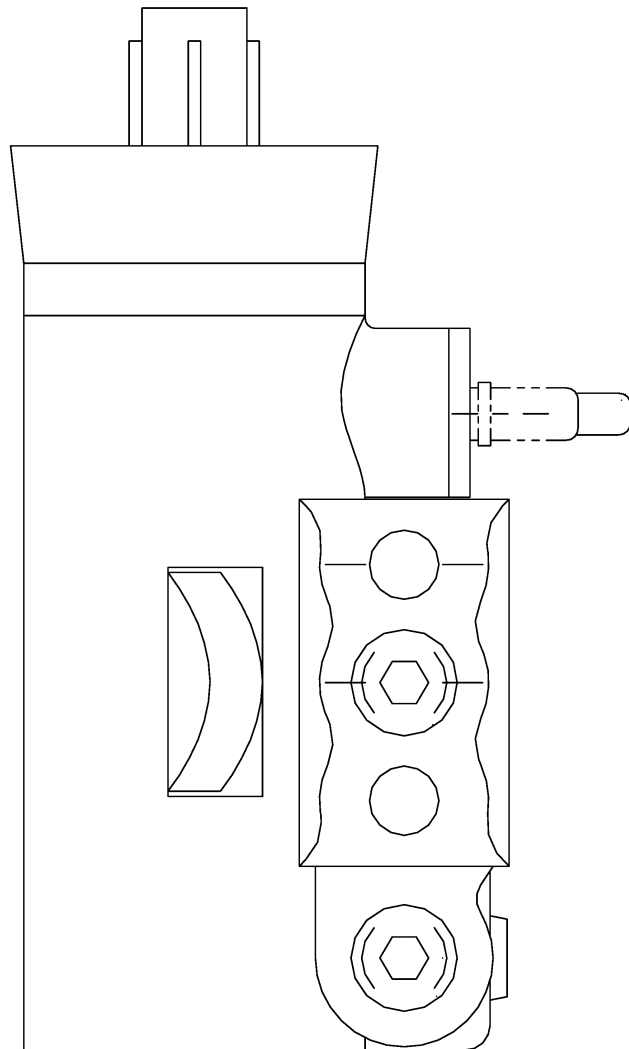
RESERVOIR ASM-AIR,STD,48L



504808D1-01-M656.TIF

RESERVOIR ASM-AIR,STD,48L

ITEM	PART #	QTY	DESCRIPTION	COMMENTS
1	AG129187	AR	PIPE SEALANT-FLEX BLACK	
2	AG134337	1	RESERVOIR-AIR,HOMOLOGATION,48L	
3	AG516233	2	CONN STR .25 TUBE X .25 NPT AL	
4	AG516475	1	STEM ADAPTER 0.37X0.37	
5	AG517938	2	ADPTR STR M22-1.5 OR X0.37FNPT	
6	AG518541	1	TEE -8 NPT STEEL	
7	AG520924	1	ADAPT-STR .50FNPT 22-1.5MNPT	
8	AG552461	1	ADAP STR 0.50MNPT X 0.50MJIC	
9	AG553492	1	NIPPLE .50NPT X 1.12CLS WR ST	
10	AG553549	1	BUSHG 0.37X 0.25NPT REDG ST	
11	AG554057	1	BUSHG 0.50X 0.25NPT REDG ST	
12	AG555045	1	BUSHG 0.38X 0.12NPT HX REG PL	
13	AG555290	1	NIPPLE .37NPT X 1.00CLS WR ST	
14	AG556580	1	TEE 0.37NPT PIPE MAL IR PL	
15	AG609681	1	DRAIN VALVE	
16	AG609682	1	THRUST RING M-22	
17	AG609683	1	O RING M-22	
18	AG609797	2	PLUG METRIC 22-1.5 ZN	
19	AG609798	2	WASHER METRIC 22 ZN	
20	504807D1	1	SWITCH-PRESSURE,-02MNPT,60 PSI	

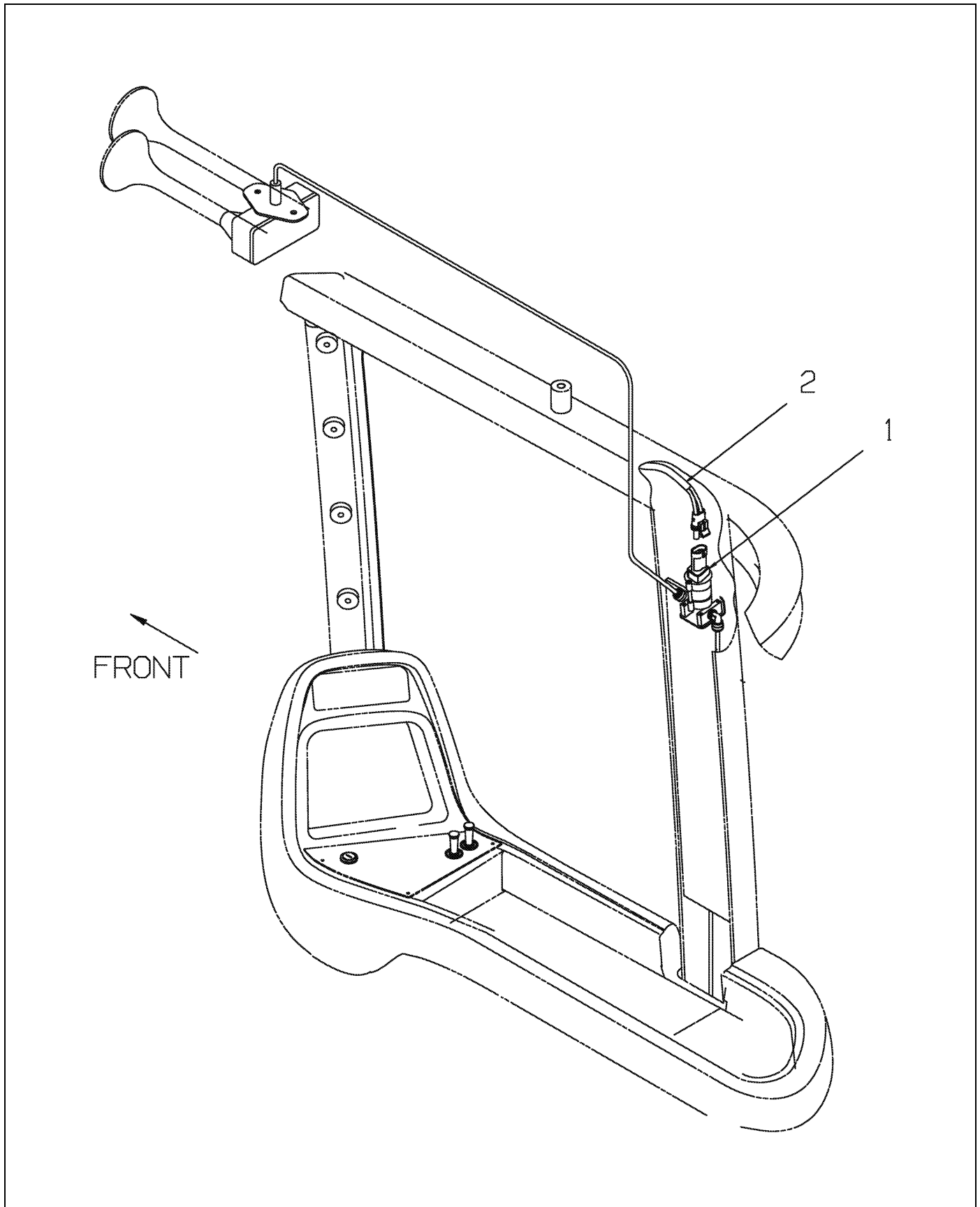


511005-F.tif

GOVERNOR AIR

ITEM	PART #	QTY	DESCRIPTION	COMMENTS
0	AG604110	1	GASKET AIR GOV BENDIX	
0	AG609024	4	PLUG-PIPE,0.12NPT,HEX SOC HD	
0	AG702187	1	BREATHER FOR 511005 GOVERNOR	
0	AG726897	1	GOVERNOR/AIR	

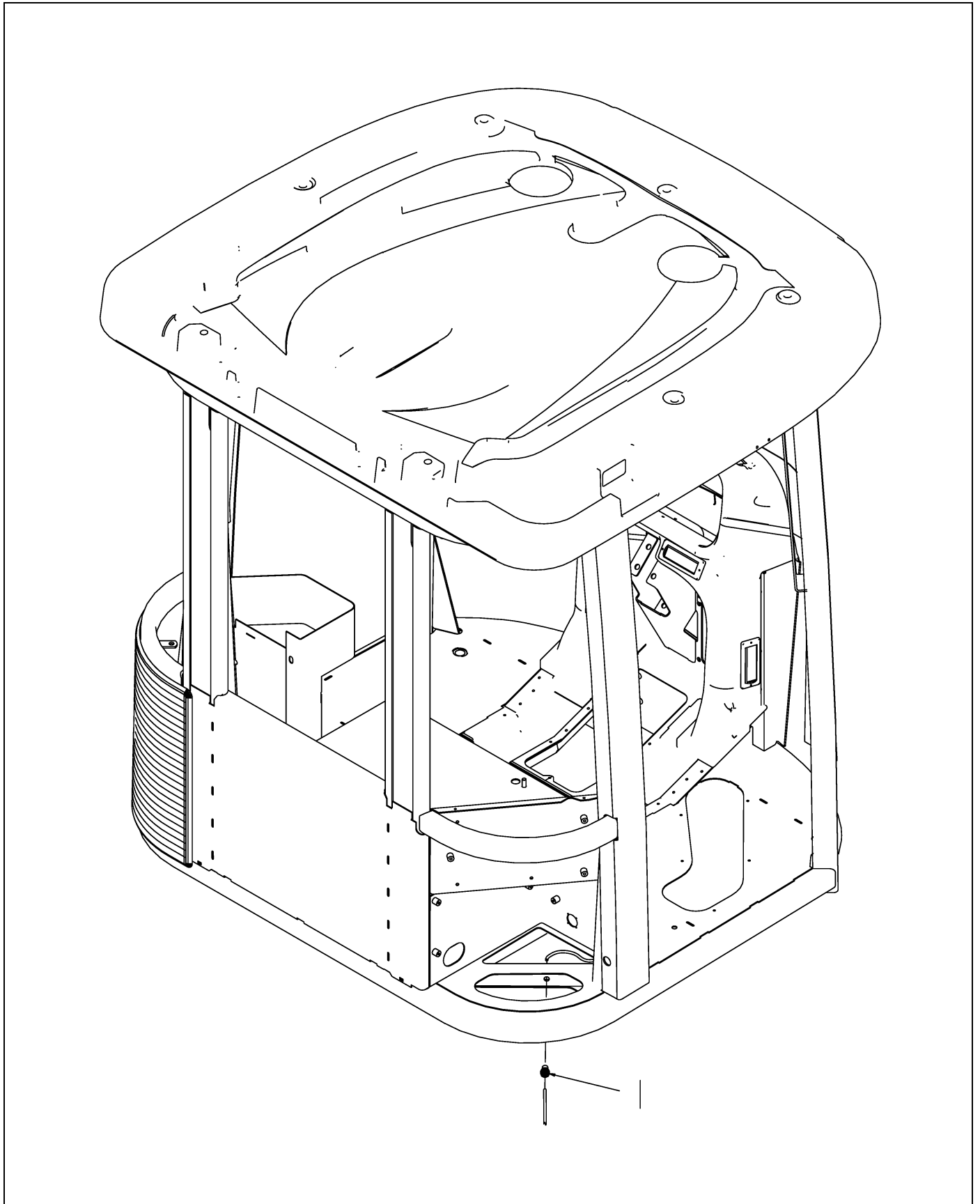
SOLENOID INSTL-HORN,AIR



425041-A-H556-.TIF

SOLENOID INSTL-HORN,AIR

ITEM	PART #	QTY	DESCRIPTION	COMMENTS
1	AG524338	1	VALVE-SOLENOID,12V	
2	AG504499	-	HARNES-ROOF,MAIN	



505955D1-01-M712-.TIF

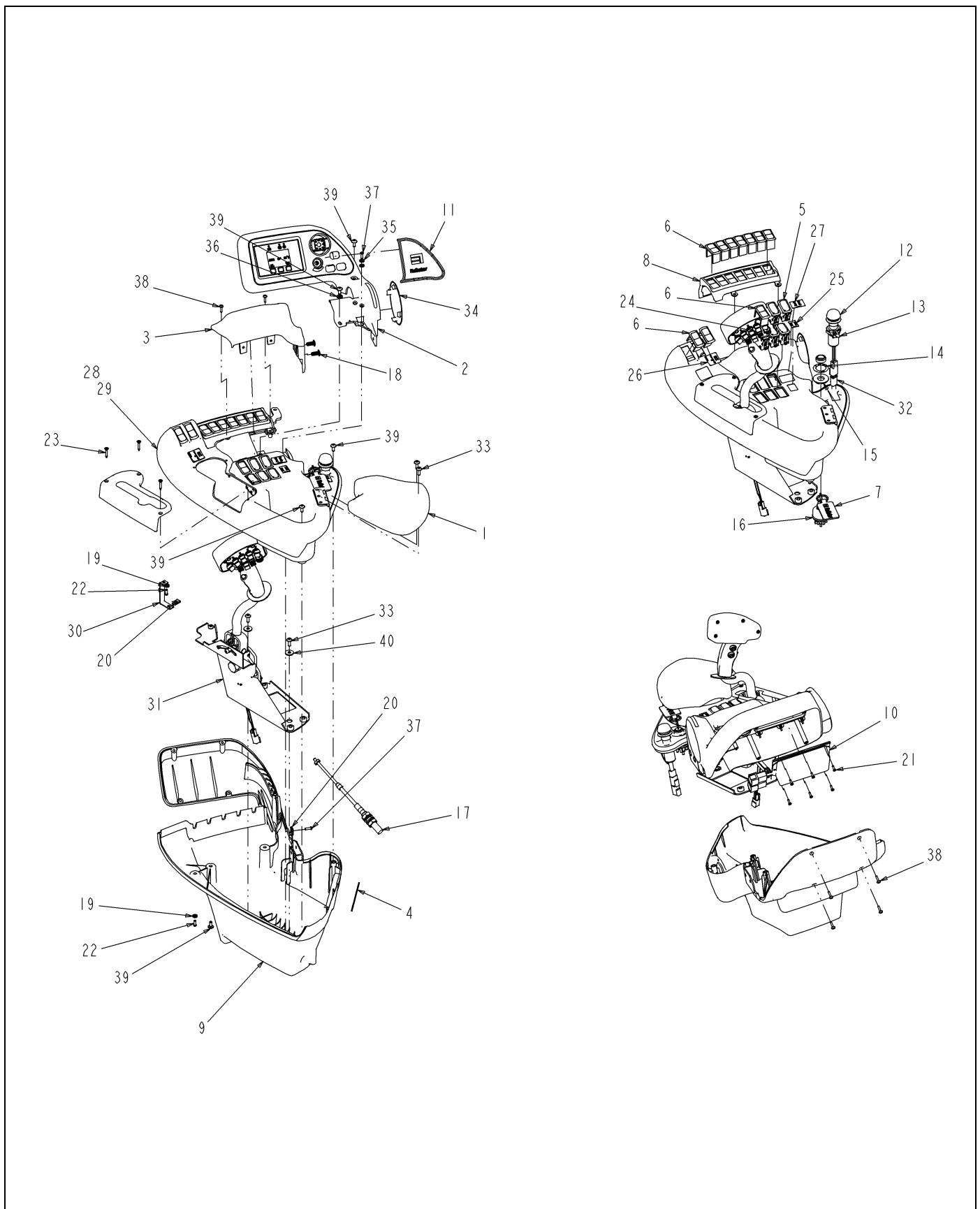
FITING INSTL-AIRLINE,CAB,1274C

ITEM	PART #	QTY	DESCRIPTION	COMMENTS
1	AG518668	1	UNION BULKHEAD 0.25 TUBE	

ARMREST ASM-RG,2WS,5 SECT	7-1
ARMREST INSTL-RG,2WS,5 SECT	7-2
ARMREST ASM-RG,4WS,5 SECT	7-3
ARMREST INSTL-RG,4WS,5 SECT	7-4
HANDLE ASM-HYDRO,5 SECT	7-5
ARMREST ASM-RG,2WS,7 SECT	7-6
ARMREST INSTL-RG,2WS,7 SECT	7-7
ARMREST ASM-RG,4WS,7 SECT	7-8
ARMREST INSTL-RG,4WS,7 SECT	7-9
HANDLE ASM-HYDRO,7 SECT	7-10
ARMREST INSTL-RG,4WS,7 SECT	7-11
ARMREST ASM-RG,4WS,7 SECT	7-12
ARMREST INSTL-RG,2WS,7 SECT	7-13
ARMREST ASM-RG,2WS,7 SECT	7-14
ARMREST INSTL-RG,4WS,5 SECT	7-15
ARMREST ASM-RG,4WS,5 SECT	7-16
ARMREST INSTL-RG,2WS,5 SECT	7-17
ARMREST ASM-RG,2WS,5 SECT	7-18
FACEPLATE/ASSY	7-19
GUIDE/SHOULDER BOLT-KIT	7-20
CABLE/ATTACH-WSHR-COTTRPIN KIT	7-21
HNDL/ASSY/NOBRKT/NOFACEPLT KIT	7-22
REVERSE/SWITCH-KIT	7-23
AXLE/NUT-KIT	7-24
FACEPLATE/ASSY	7-25
HARNESS INSTL-ARMREST,RG	7-26
INSTL-CAB,BLKHD,2WS	7-27
MIRROR INSTL-CAB,RG	7-28
MIRROR ASM-LH/RH,RG	7-29
MIRROR ASM-LH,RG	7-30
MIRROR ASM-RH,RG	7-31
HARN INSTL-CENTER CONSOLE,RG	7-32
CAB ASM-RG1286/SS	7-33
DASH INSTL-CENTER CONS,1286C	7-34
ASM-DASH CLUSTER,1286C	7-35
DASH INSTL-CENTER CONSOLE	7-36
ASM-DASH CLUSTER	7-37
PANEL INSTL-TRIM,LIQ	7-38
PANEL ASM-GAUGE,LIQ,TG	7-39
PANEL INSTL-TRIM,NL	7-40
LIGHTER ASM-CIGAR	7-41
CABLE ASM	7-42
STD ISOLATOR CAB MOUNTING	7-43
AIR RIDE CAB MOUNT	7-44
SUSPENSION-CAB,NON ADJUSTABLE	7-45
HARNESS INSTL-CAB,RG1286/SS	7-46
HARNESS INSTL-CAB,RG1286/SS	7-47
HARNESS INSTL-CAB,RG1286/SS	7-48
HARNESS INSTL-CAB,RG1286/SS	7-49
PANEL INSTL-TRIM,DRY	7-50
PANEL ASM-GAUGE,LIQ,RG	7-51

PANEL INSTL-TRIM,COMBO	7-52
PANEL INSTL-TRIM,COMBO,RG	7-53
PANEL INSTL-TRIM,LIQ,RG	7-54
CAB ASM-ROGATOR	7-55
FLOORMAT INSTL-CAB,UPGRADE,RG	7-56
ELEC INSTL SATELLITE RADIO-RG	7-57
INSTL-RADIO,NON-DOMESTIC	7-58
INSTL-RADIO,DOMESTIC	7-59
INSTL-RADIO,KIT XM	7-60
INSTL-RADIO,KIT SIRIUS	7-61
INNER ROOF	7-62
OUTER ROOF	7-63
WINDOW GLASS RH	7-64
ROOF INNER	7-65
CONTROLS FRONT	7-66
STEERING COLUMN/COVERS	7-67
HVAC	7-68
HVAC/W/AND W/O ATC	7-69
HVAC/W/AND W/O ATC	7-70
HVAC/W/AND W/O ATC	7-71
WIPER	7-72
INTERIOR TRIM	7-73
FLOORMATS/COVERS	7-74
CAB ELECTRICAL	7-75
AUDIO	7-76
ELECTRICAL ROOF	7-77
CAB GLASS	7-78
BARRIER INSTL-HEAT	7-79
CAB ASSY-ROGATOR	7-80
WINDSHIELD WASH-FLUID FILL	7-81
BLKHD INSTL-CABLE,HYDRO	7-82
DOOR INSTL	7-83
DOOR ASM	7-84
KIT-EXTRA KEY	7-85
KEY RWK	7-86
SEAT INSTL-BASIC	7-87
SEAT ASM-BASIC,AIR	7-88
ASM/SUSP. AIR 2000	7-89
ASM/SUSP. AIR 2000	7-90
SEAT INSTL-DELUXE	7-91
SEAT ASM-DELUXE,SEMI ACTIVE	7-92
ASM/SUSPENSION SEMI ACTIVE	7-93
KIT-SUSPENSION,SEMI ACTIVE	7-94
KIT-SEAT AS. UPPER	7-95
KIT-CUSHION,SEAT,SST	7-96
KIT-ARM REST AS. (LH)	7-97
KIT-SEAT TOP, SST	7-98
KIT-SUSPENSION GP (SEAT)	7-99
KIT-BACK,UPPER	7-100

ARMREST ASM-RG,2WS,5 SECT

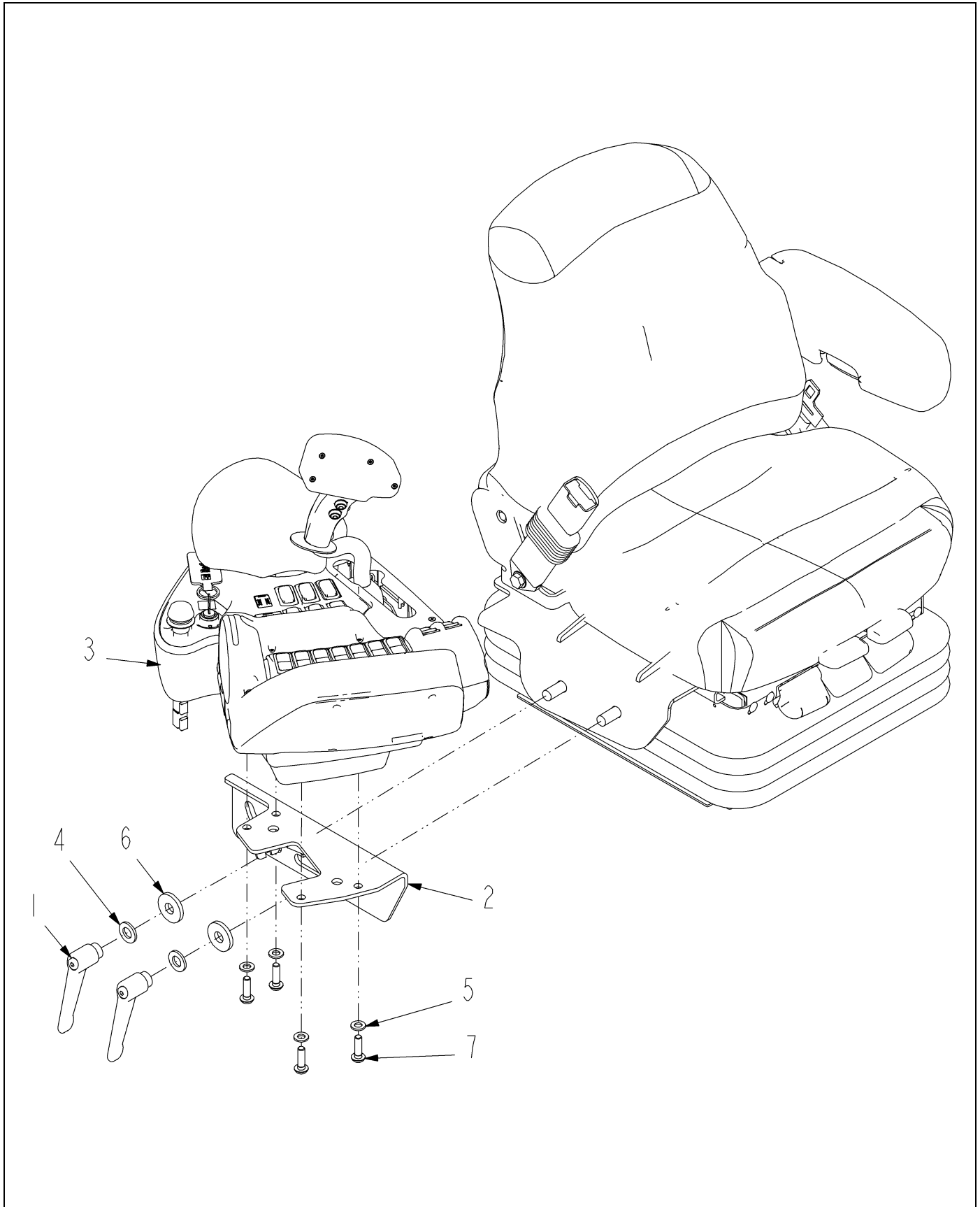


518720D1-01-R261-.TIF

ARMREST ASM-RG,2WS,5 SECT

ITEM	PART #	QTY	DESCRIPTION	COMMENTS
1	162-6738	1	PAD AS-ARM	
2	164-7042	1	HOUSING AS-RH MONITOR	
3	166-4608	1	PAD-PALM	
4	221-5433	1	COVER	
5	AG124432	4	SWITCH-RKR,(ON)-OFF-(ON),CS-L	
6	AG124437	10	PLUG-HOLE,SWITCH,CS-L	
7	AG129805	1	KEYCHAIN-LEATHER,RG	
8	AG134566	1	HOUSING-SWITCH,ARMREST	
9	AG134569	1	CONSOLE-BOTTOM,ARMREST	
10	AG135397	1	DISPLAY-LCD,TRANS	
11	AG135402	1	DECAL-DISPLAY,ARMREST,RG	
12	AG135988	1	SWITCH-PUSH BUTTON	
13	AG135990	1	DECAL-SWITCH,LOCK-OUT	
14	AG135991	1	DECAL-SWITCH,IGNITION	
15	AG135995	1	PLUG-ADAPTER,IGN SW	
16	AG520862	1	SWITCH-IGN,KEYED DIFFERENT	
17	AG521284	1	CABLE-PUSH/PULL,105.00,4.00TRV	
18	400110X1	2	CLIP-TREE 8MM DIA X 3-12MM THK	
19	400310X1	2	WASHER	
20	400356X1	2	CLIP-SPRING M5X.8-6H	
21	400835X1	6	SCREW #6-19X12.7 PAN THD CTG	
22	400836X1	2	SCREW-PAN M5X0.8X14 CROSS	
23	401278X1	3	SCREW, #10 PLASTITE BLACK 25MM	
24	504953D1	1	SWITCH-RKR,MOMENTARY,THROTTLE	
25	504954D1	1	DECAL-TRACK ADJUST,REAR	
26	504955D1	1	DECAL-HYDRO HANDLE	
27	504959D1	1	DECAL-TRACK ADJUST,FRONT	
28	504960D1	1	HARNESS INSTL-ARMREST,RG	SEE PAGE 7-26
29	511759D1	1	CONSOLE-TOP,ARMREST	
30	511764D1	1	BRKT, SUPPORT	
31	515928D1	1	HANDLE ASM-HYDRO,5 SECT	SEE PAGE 7-5
32	518651D1	1	HARN-RESISTOR,IN LINE,20 OHM	
33	CH207-2021	4	SCREW-K70-3.14 TORX	
34	CH214-1071	1	PLUG	
35	CH2A-3211	2	WASHER-5.5IDX12.3ODX0.8MM	
36	CH5P-0537	1	WASHER-HARD 7.2IDX14.5ODX2MM	
37	CH8T-6693	2	SCREW-PAN M5X0.8X16 CROSS	
38	CH9X-1046	6	SCREW-M4X0.7X18MM TORX	
39	CH9X-2044	5	SCREW-M6X1X16MM TRUSS HEAD	
40	CH9X-6165	2	WASHER-6.5IDX22ODX2.5MM	
	FOOTNOTE		1ST USED ON A00SSLNSS11296,A1286ENS001044,A1286PN001047A,A1286J NS001049,A1286CNS001045,A1286KNS001051A	

ARMREST INSTL-RG,2WS,5 SECT

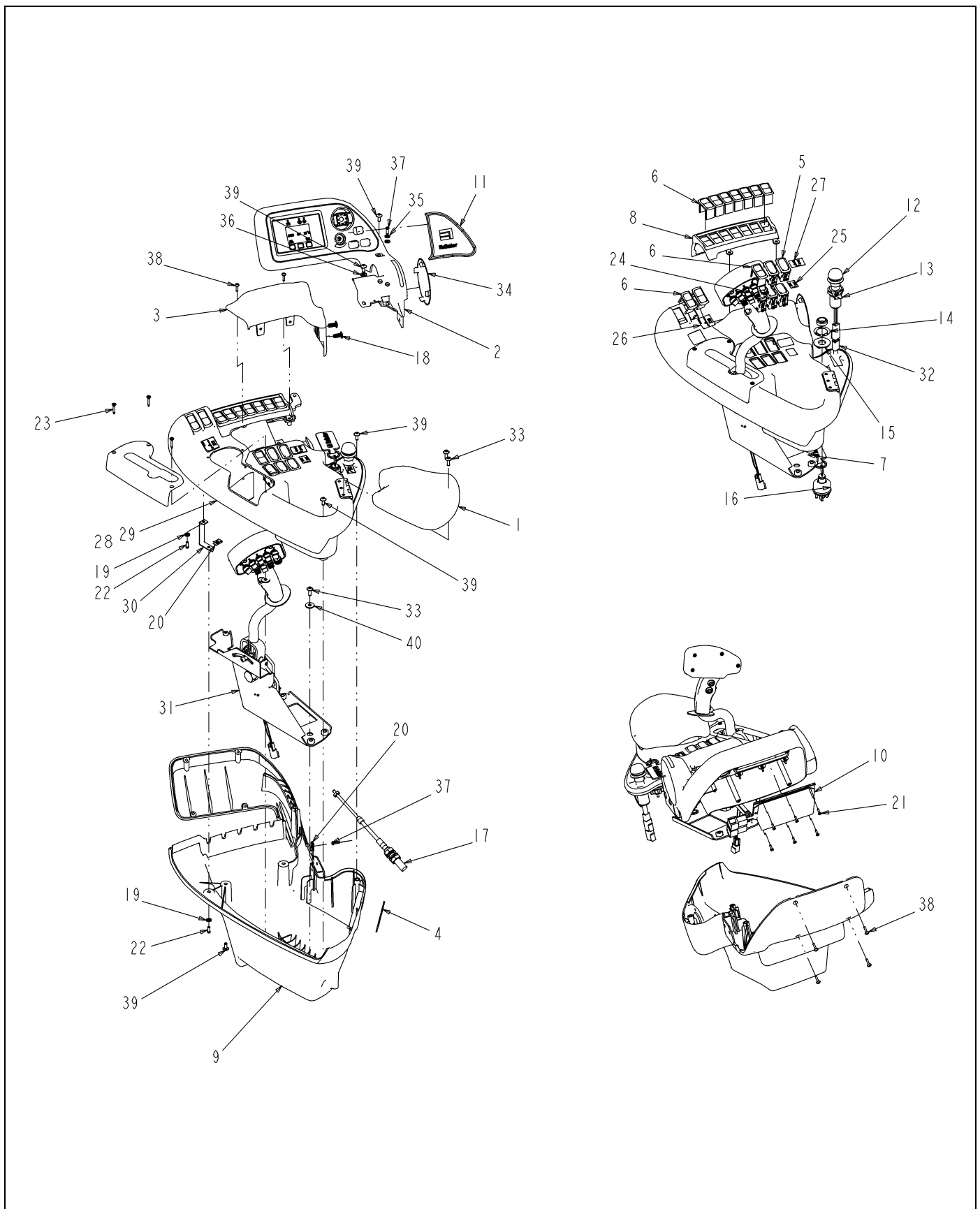


512010D1-03-R261-.TIF

ARMREST INSTL-RG,2WS,5 SECT

ITEM	PART #	QTY	DESCRIPTION	COMMENTS
1	500854D1	2	LEVER	
2	508624D1	1	BRKT WLDMT-MTG, ARMREST, RG	
3	518720D1	1	ARMREST ASM-RG,2WS,5 SECT	SEE PAGE 7-1
4	CH5P-8247	2	WASHER-HARD 17IDX32ODX3.5MM	
5	CH6V-5839	4	WASHER-HARD 11IDX21ODX2.5MM	
6	CH7X-0583	2	WASHER-HARD 17IDX45ODX6MM	
7	CH9X-2039	4	SCREW-M10X1.5X35MM TRUSS HEAD	

ARMREST ASM-RG,4WS,5 SECT

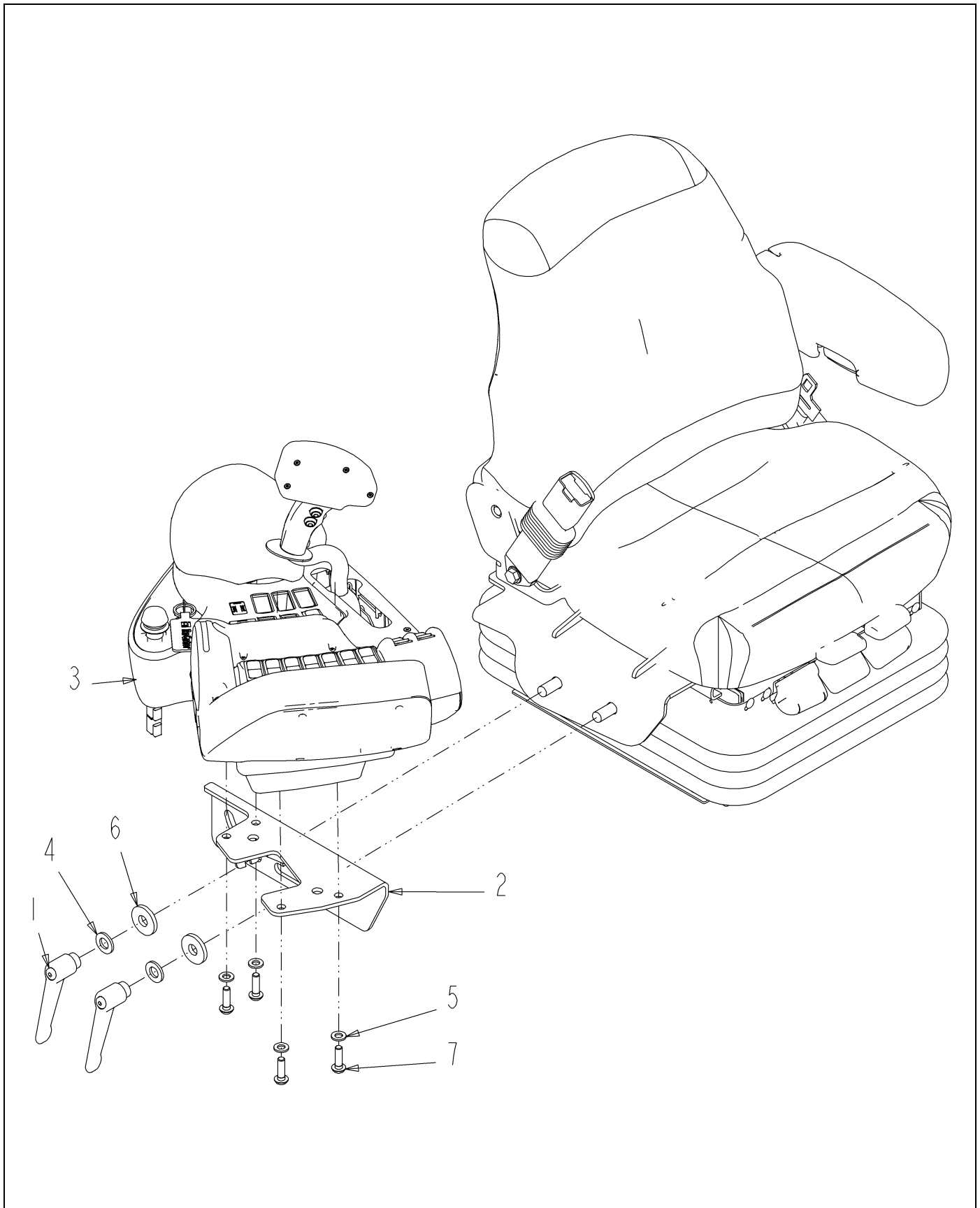


518722D1-01-R261-.TIF

ARMREST ASM-RG,4WS,5 SECT

ITEM	PART #	QTY	DESCRIPTION	COMMENTS
1	162-6738	1	PAD AS-ARM	
2	164-7042	1	HOUSING AS-RH MONITOR	
3	166-4608	1	PAD-PALM	
4	221-5433	1	COVER	
5	AG124432	4	SWITCH-RKR,(ON)-OFF-(ON),CS-L	
6	AG124437	10	PLUG-HOLE,SWITCH,CS-L	
7	AG129805	1	KEYCHAIN-LEATHER,RG	
8	AG134566	1	HOUSING-SWITCH,ARMREST	
9	AG134569	1	CONSOLE-BOTTOM,ARMREST	
10	AG135397	1	DISPLAY-LCD,TRANS	
11	AG135402	1	DECAL-DISPLAY,ARMREST,RG	
12	AG135988	1	SWITCH-PUSH BUTTON	
13	AG135990	1	DECAL-SWITCH,LOCK-OUT	
14	AG135991	1	DECAL-SWITCH,IGNITION	
15	AG135995	1	PLUG-ADAPTER,IGN SW	
16	AG520862	1	SWITCH-IGN,KEYED DIFFERENT	
17	AG521284	1	CABLE-PUSH/PULL,105.00,4.00TRV	
18	400110X1	2	CLIP-TREE 8MM DIA X 3-12MM THK	
19	400310X1	2	WASHER	
20	400356X1	2	CLIP-SPRING M5X.8-6H	
21	400835X1	6	SCREW #6-19X12.7 PAN THD CTG	
22	400836X1	2	SCREW-PAN M5X0.8X14 CROSS	
23	401278X1	3	SCREW, #10 PLASTITE BLACK 25MM	
24	504953D1	1	SWITCH-RKR,MOMENTARY,THROTTLE	
25	504954D1	1	DECAL-TRACK ADJUST,REAR	
26	504955D1	1	DECAL-HYDRO HANDLE	
27	504959D1	1	DECAL-TRACK ADJUST,FRONT	
28	504960D1	1	HARNES INSTL-ARMREST,RG	SEE PAGE 7-26
29	511759D1	1	CONSOLE-TOP,ARMREST	
30	511764D1	1	BRKT, SUPPORT	
31	515928D1	1	HANDLE ASM-HYDRO,5 SECT	SEE PAGE 7-5
32	518651D1	1	HARN-RESISTOR,IN LINE,20 OHM	
33	CH207-2021	4	SCREW-K70-3.14 TORX	
34	CH214-1071	1	PLUG	
35	CH2A-3211	2	WASHER-5.5IDX12.3ODX0.8MM	
36	CH5P-0537	1	WASHER-HARD 7.2IDX14.5ODX2MM	
37	CH8T-6693	2	SCREW-PAN M5X0.8X16 CROSS	
38	CH9X-1046	6	SCREW-M4X0.7X18MM TORX	
39	CH9X-2044	5	SCREW-M6X1X16MM TRUSS HEAD	
40	CH9X-6165	2	WASHER-6.5IDX22ODX2.5MM	

ARMREST INSTL-RG,4WS,5 SECT

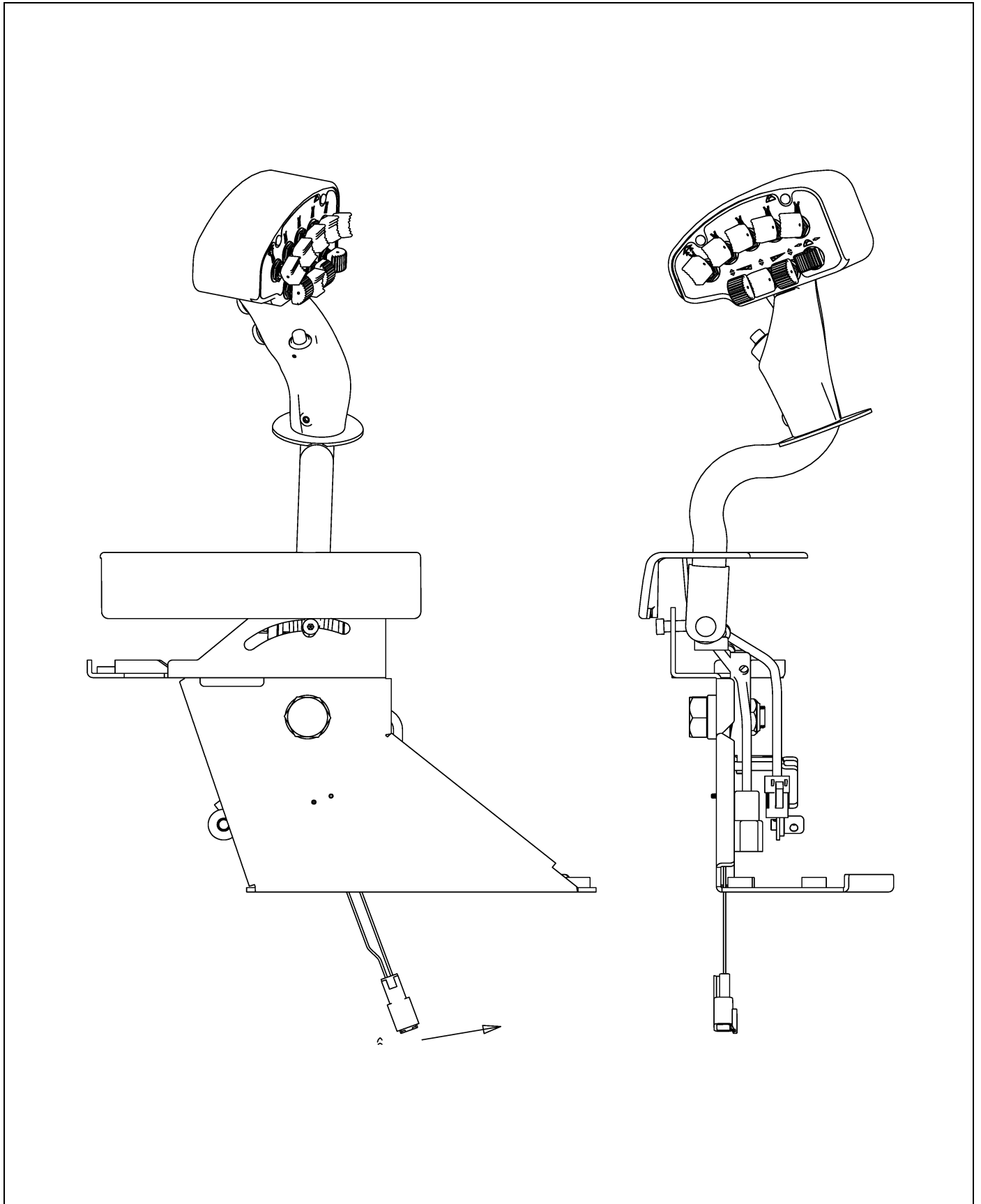


512009D1-03-R261-.TIF

ARMREST INSTL-RG,4WS,5 SECT

ITEM	PART #	QTY	DESCRIPTION	COMMENTS
1	500854D1	2	LEVER	
2	508624D1	1	BRKT WLDMT-MTG, ARMREST, RG	
3	518722D1	1	ARMREST ASM-RG,4WS,5 SECT	SEE PAGE 7-3
4	CH5P-8247	2	WASHER-HARD 17IDX32ODX3.5MM	
5	CH6V-5839	4	WASHER-HARD 11IDX21ODX2.5MM	
6	CH7X-0583	2	WASHER-HARD 17IDX45ODX6MM	
7	CH9X-2039	4	SCREW-M10X1.5X35MM TRUSS HEAD	

HANDLE ASM-HYDRO,5 SECT

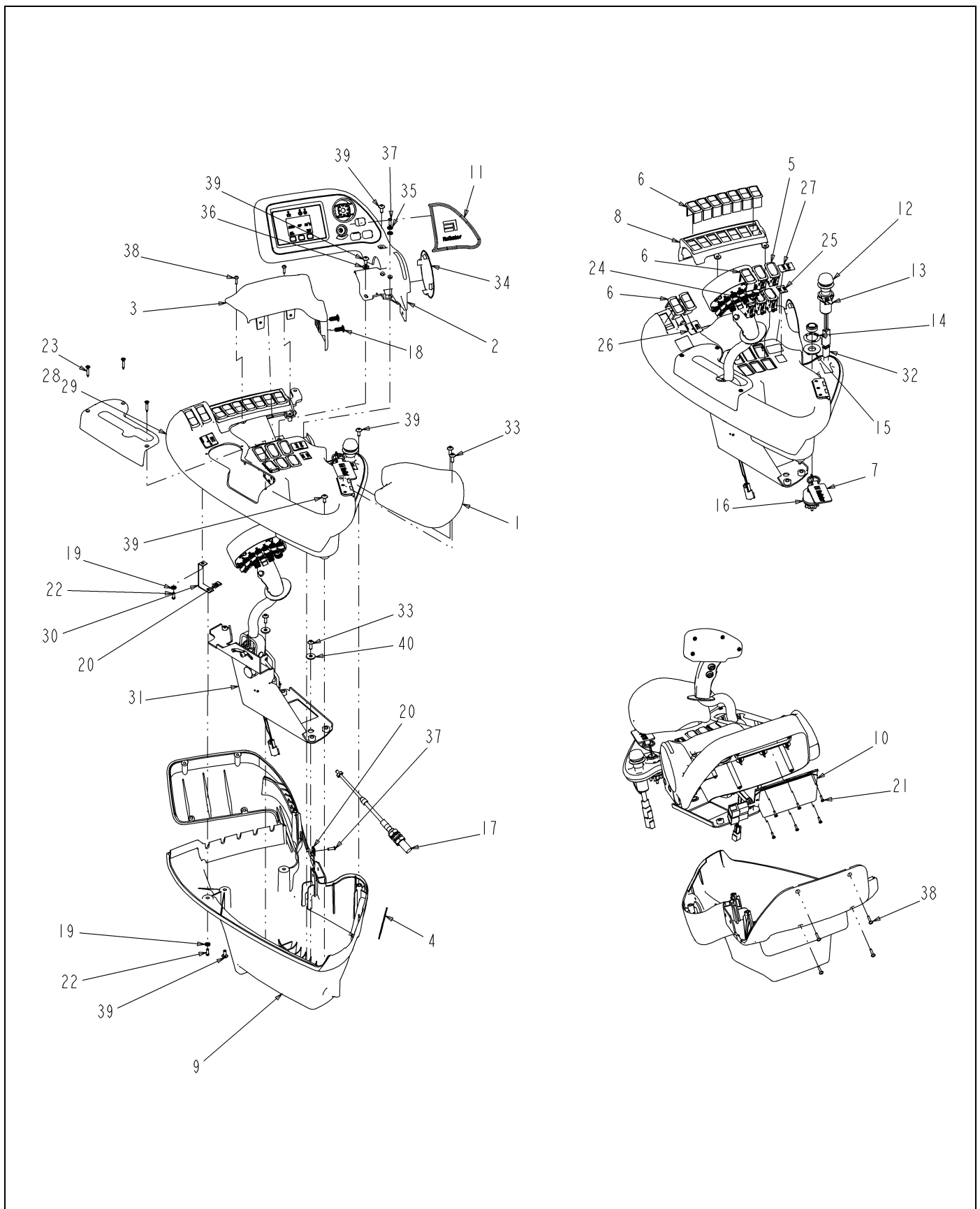


515928D1-01-N970-.TIF

HANDLE ASM-HYDRO,5 SECT

ITEM	PART #	QTY	DESCRIPTION	COMMENTS
0	AG331659	-	FACEPLATE/ASSY	SEE PAGE 7-19
0	AG331663	-	GUIDE/SHOULDER BOLT - KIT	SEE PAGE 7-20
0	AG331664	-	CABLE/ATTACH-WSHR-COTTRPIN KIT	SEE PAGE 7-21
0	AG331665	-	HNDL/ASSY/NOBRKT/NOFACEPLT KIT	SEE PAGE 7-22
0	AG331666	-	REVERSE/SWITCH-KIT	SEE PAGE 7-23
0	AG331667	-	AXLE/NUT-KIT	SEE PAGE 7-24

ARMREST ASM-RG,2WS,7 SECT

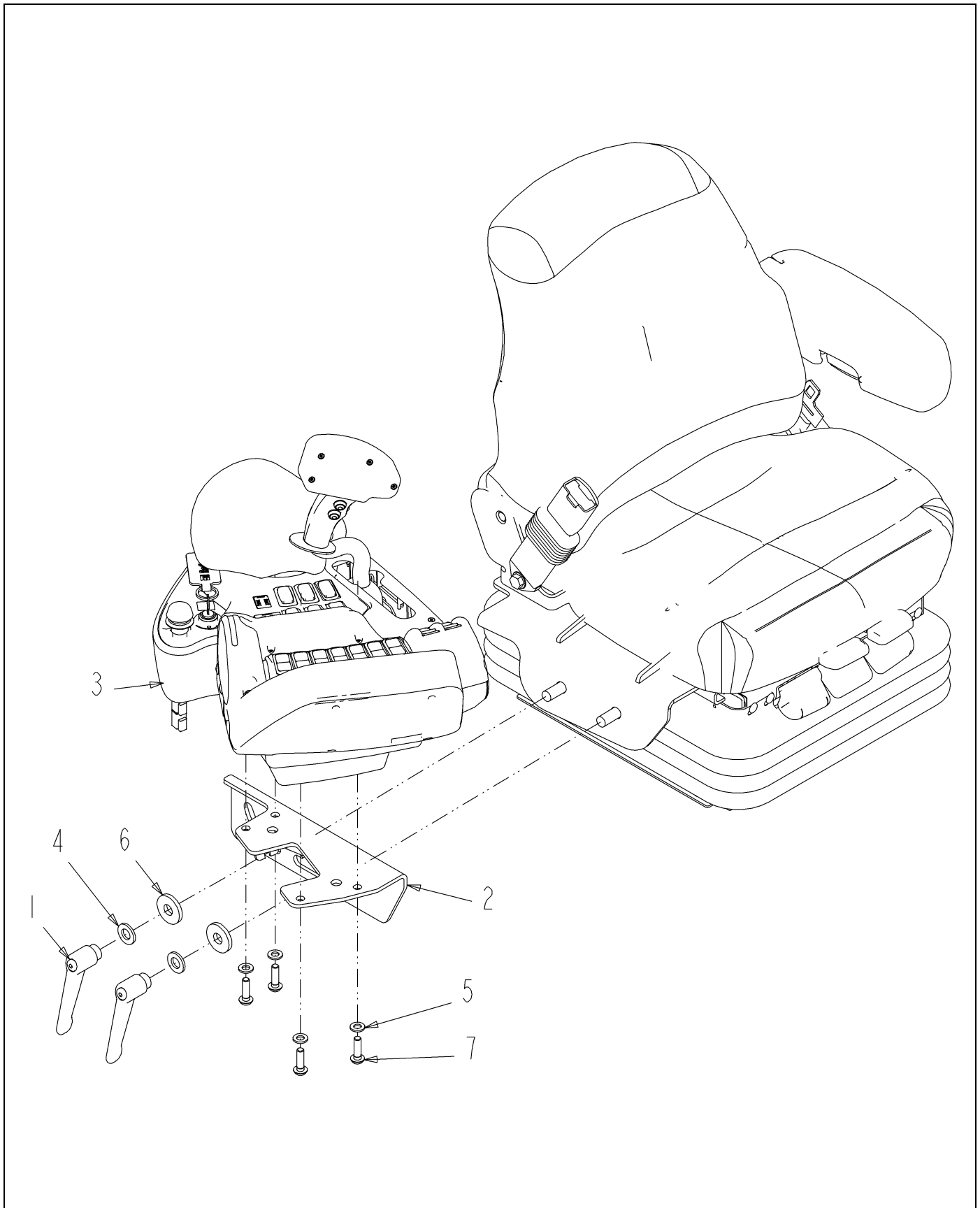


518721D1-01-R261-.TIF

ARMREST ASM-RG,2WS,7 SECT

ITEM	PART #	QTY	DESCRIPTION	COMMENTS
1	162-6738	1	PAD AS-ARM	
2	164-7042	1	HOUSING AS-RH MONITOR	
3	166-4608	1	PAD-PALM	
4	221-5433	1	COVER	
5	AG124432	4	SWITCH-RKR,(ON)-OFF-(ON),CS-L	
6	AG124437	10	PLUG-HOLE,SWITCH,CS-L	
7	AG129805	1	KEYCHAIN-LEATHER,RG	
8	AG134566	1	HOUSING-SWITCH,ARMREST	
9	AG134569	1	CONSOLE-BOTTOM,ARMREST	
10	AG135397	1	DISPLAY-LCD,TRANS	
11	AG135402	1	DECAL-DISPLAY,ARMREST,RG	
12	AG135988	1	SWITCH-PUSH BUTTON	
13	AG135990	1	DECAL-SWITCH,LOCK-OUT	
14	AG135991	1	DECAL-SWITCH,IGNITION	
15	AG135995	1	PLUG-ADAPTER,IGN SW	
16	AG520862	1	SWITCH-IGN,KEYED DIFFERENT	
17	AG521284	1	CABLE-PUSH/PULL,105.00,4.00TRV	
18	400110X1	2	CLIP-TREE 8MM DIA X 3-12MM THK	
19	400310X1	2	WASHER	
20	400356X1	2	CLIP-SPRING M5X.8-6H	
21	400835X1	6	SCREW #6-19X12.7 PAN THD CTG	
22	400836X1	2	SCREW-PAN M5X0.8X14 CROSS	
23	401278X1	3	SCREW, #10 PLASTITE BLACK 25MM	
24	504953D1	1	SWITCH-RKR,MOMENTARY,THROTTLE	
25	504954D1	1	DECAL-TRACK ADJUST,REAR	
26	504955D1	1	DECAL-HYDRO HANDLE	
27	504959D1	1	DECAL-TRACK ADJUST,FRONT	
28	504960D1	1	HARNESS INSTL-ARMREST,RG	SEE PAGE 7-26
29	511759D1	1	CONSOLE-TOP,ARMREST	
30	511764D1	1	BRKT, SUPPORT	
31	515929D1	1	HANDLE ASM-HYDRO,7 SECT	SEE PAGE 7-10
32	518651D1	1	HARN-RESISTOR,IN LINE,20 OHM	
33	CH207-2021	4	SCREW-K70-3.14 TORX	
34	CH214-1071	1	PLUG	
35	CH2A-3211	2	WASHER-5.5IDX12.3ODX0.8MM	
36	CH5P-0537	1	WASHER-HARD 7.2IDX14.5ODX2MM	
37	CH8T-6693	2	SCREW-PAN M5X0.8X16 CROSS	
38	CH9X-1046	6	SCREW-M4X0.7X18MM TORX	
39	CH9X-2044	5	SCREW-M6X1X16MM TRUSS HEAD	
40	CH9X-6165	2	WASHER-6.5IDX22ODX2.5MM	
	FOOTNOTE		EFF. S/N A1286CNS001053	

ARMREST INSTL-RG,2WS,7 SECT

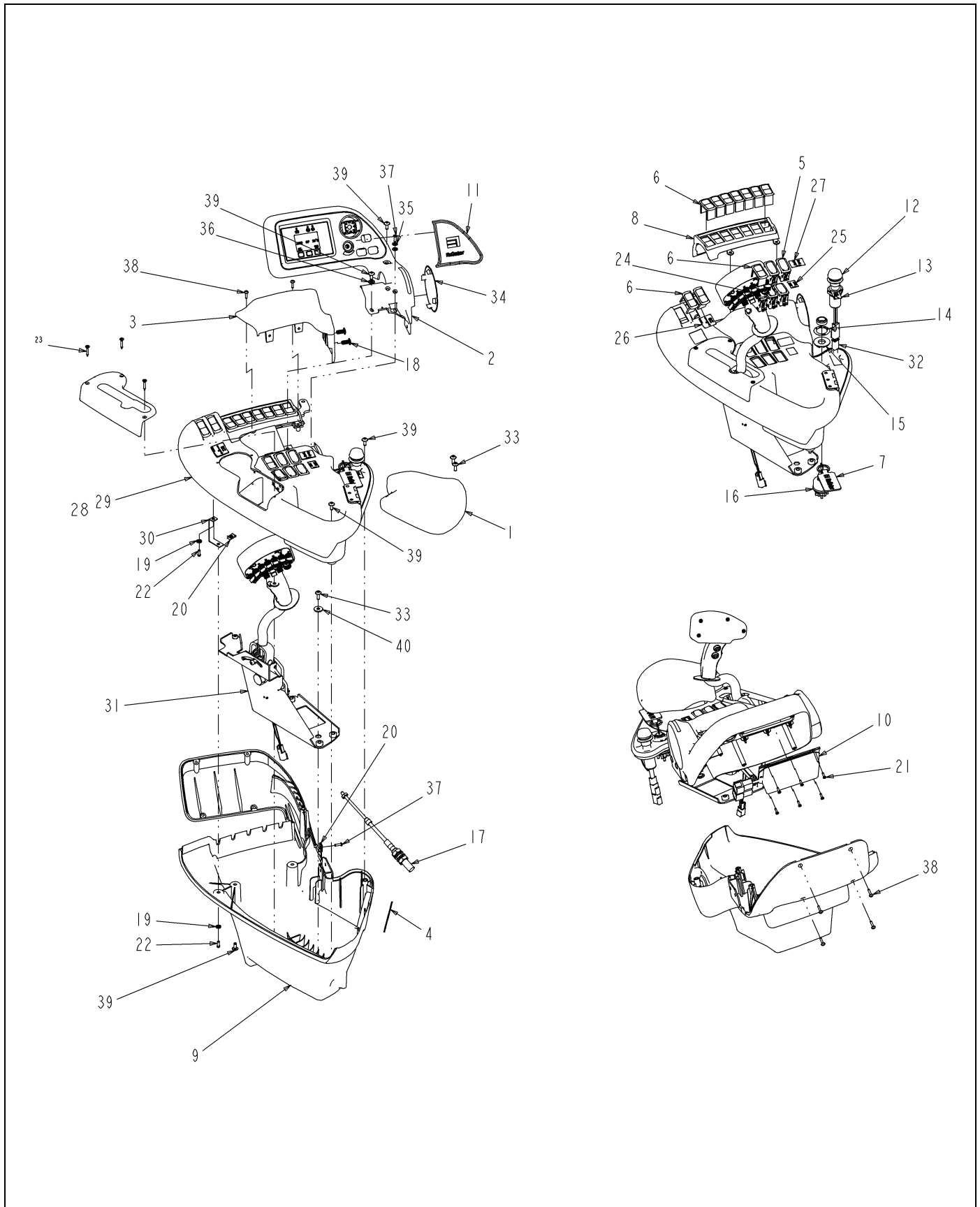


512008D1-03-R261-.TIF

ARMREST INSTL-RG,2WS,7 SECT

ITEM	PART #	QTY	DESCRIPTION	COMMENTS
1	500854D1	2	LEVER	
2	508624D1	1	BRKT WLDMT-MTG, ARMREST, RG	
3	518721D1	1	ARMREST ASM-RG,2WS,7 SECT	SEE PAGE 7-6
4	CH5P-8247	2	WASHER-HARD 17IDX32ODX3.5MM	
5	CH6V-5839	4	WASHER-HARD 11IDX21ODX2.5MM	
6	CH7X-0583	2	WASHER-HARD 17IDX45ODX6MM	
7	CH9X-2039	4	SCREW-M10X1.5X35MM TRUSS HEAD	

ARMREST ASM-RG,4WS,7 SECT

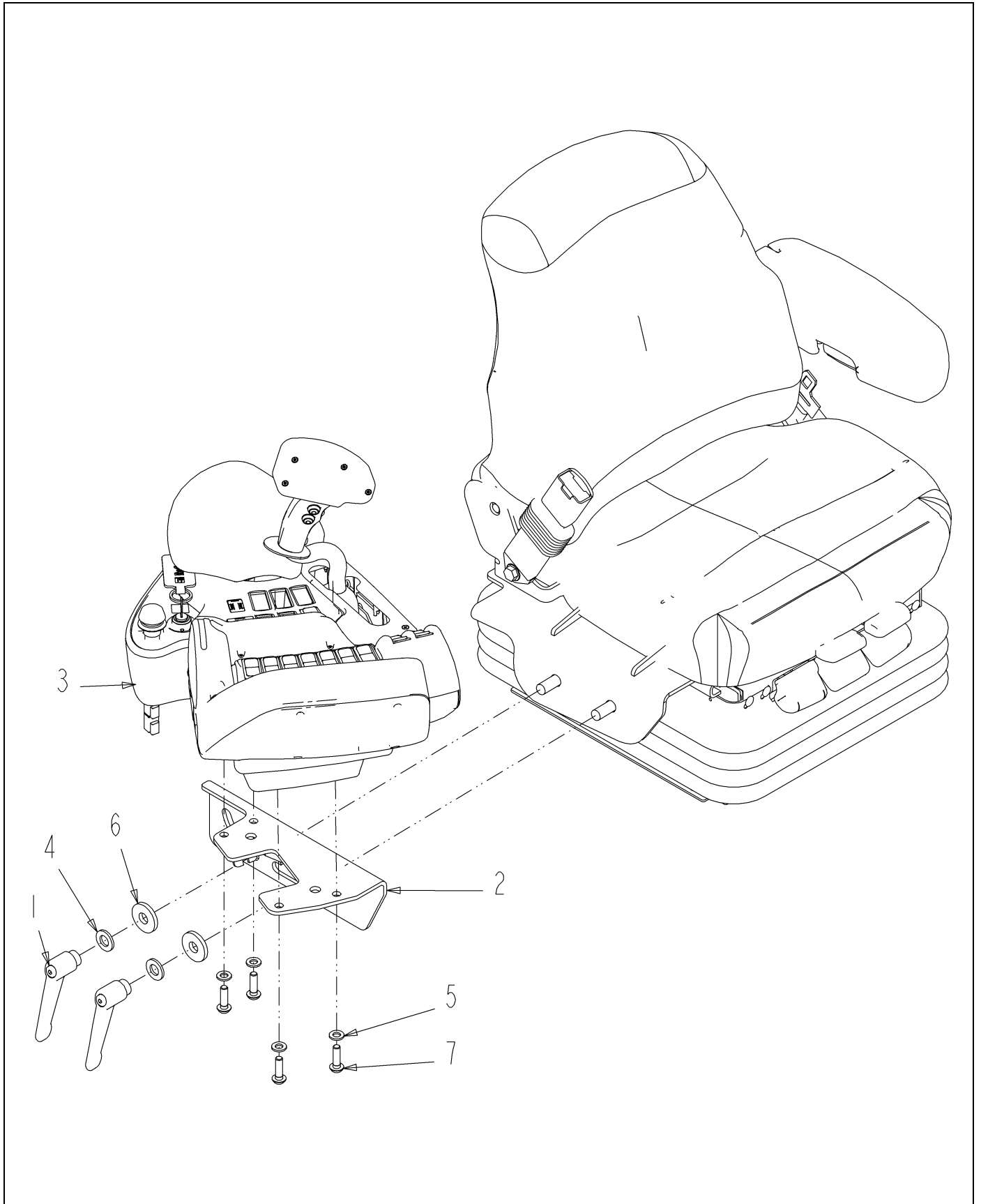


518723D1-01-R261-.TIF

ARMREST ASM-RG,4WS,7 SECT

ITEM	PART #	QTY	DESCRIPTION	COMMENTS
1	162-6738	1	PAD AS-ARM	
2	164-7042	1	HOUSING AS-RH MONITOR	
3	166-4608	1	PAD-PALM	
4	221-5433	1	COVER	
5	AG124432	4	SWITCH-RKR,(ON)-OFF-(ON),CS-L	
6	AG124437	10	PLUG-HOLE,SWITCH,CS-L	
7	AG129805	1	KEYCHAIN-LEATHER,RG	
8	AG134566	1	HOUSING-SWITCH,ARMREST	
9	AG134569	1	CONSOLE-BOTTOM,ARMREST	
10	AG135397	1	DISPLAY-LCD,TRANS	
11	AG135402	1	DECAL-DISPLAY,ARMREST,RG	
12	AG135988	1	SWITCH-PUSH BUTTON	
13	AG135990	1	DECAL-SWITCH,LOCK-OUT	
14	AG135991	1	DECAL-SWITCH,IGNITION	
15	AG135995	1	PLUG-ADAPTER,IGN SW	
16	AG520862	1	SWITCH-IGN,KEYED DIFFERENT	
17	AG521284	1	CABLE-PUSH/PULL,105.00,4.00TRV	
18	400110X1	2	CLIP-TREE 8MM DIA X 3-12MM THK	
19	400310X1	2	WASHER	
20	400356X1	2	CLIP-SPRING M5X.8-6H	
21	400835X1	6	SCREW #6-19X12.7 PAN THD CTG	
22	400836X1	2	SCREW-PAN M5X0.8X14 CROSS	
23	401278X1	3	SCREW, #10 PLASTITE BLACK 25MM	
24	504953D1	1	SWITCH-RKR,MOMENTARY,THROTTLE	
25	504954D1	1	DECAL-TRACK ADJUST,REAR	
26	504955D1	1	DECAL-HYDRO HANDLE	
27	504959D1	1	DECAL-TRACK ADJUST,FRONT	
28	504960D1	1	HARNES INSTL-ARMREST,RG	SEE PAGE 7-26
29	511759D1	1	CONSOLE-TOP,ARMREST	
30	511764D1	1	BRKT, SUPPORT	
31	515929D1	1	HANDLE ASM-HYDRO,7 SECT	SEE PAGE 7-10
32	518651D1	1	HARN-RESISTOR,IN LINE,20 OHM	
33	CH207-2021	4	SCREW-K70-3.14 TORX	
34	CH214-1071	1	PLUG	
35	CH2A-3211	2	WASHER-5.5IDX12.3ODX0.8MM	
36	CH5P-0537	1	WASHER-HARD 7.2IDX14.5ODX2MM	
37	CH8T-6693	2	SCREW-PAN M5X0.8X16 CROSS	
38	CH9X-1046	6	SCREW-M4X0.7X18MM TORX	
39	CH9X-2044	5	SCREW-M6X1X16MM TRUSS HEAD	
40	CH9X-6165	2	WASHER-6.5IDX22ODX2.5MM	

ARMREST INSTL-RG,4WS,7 SECT

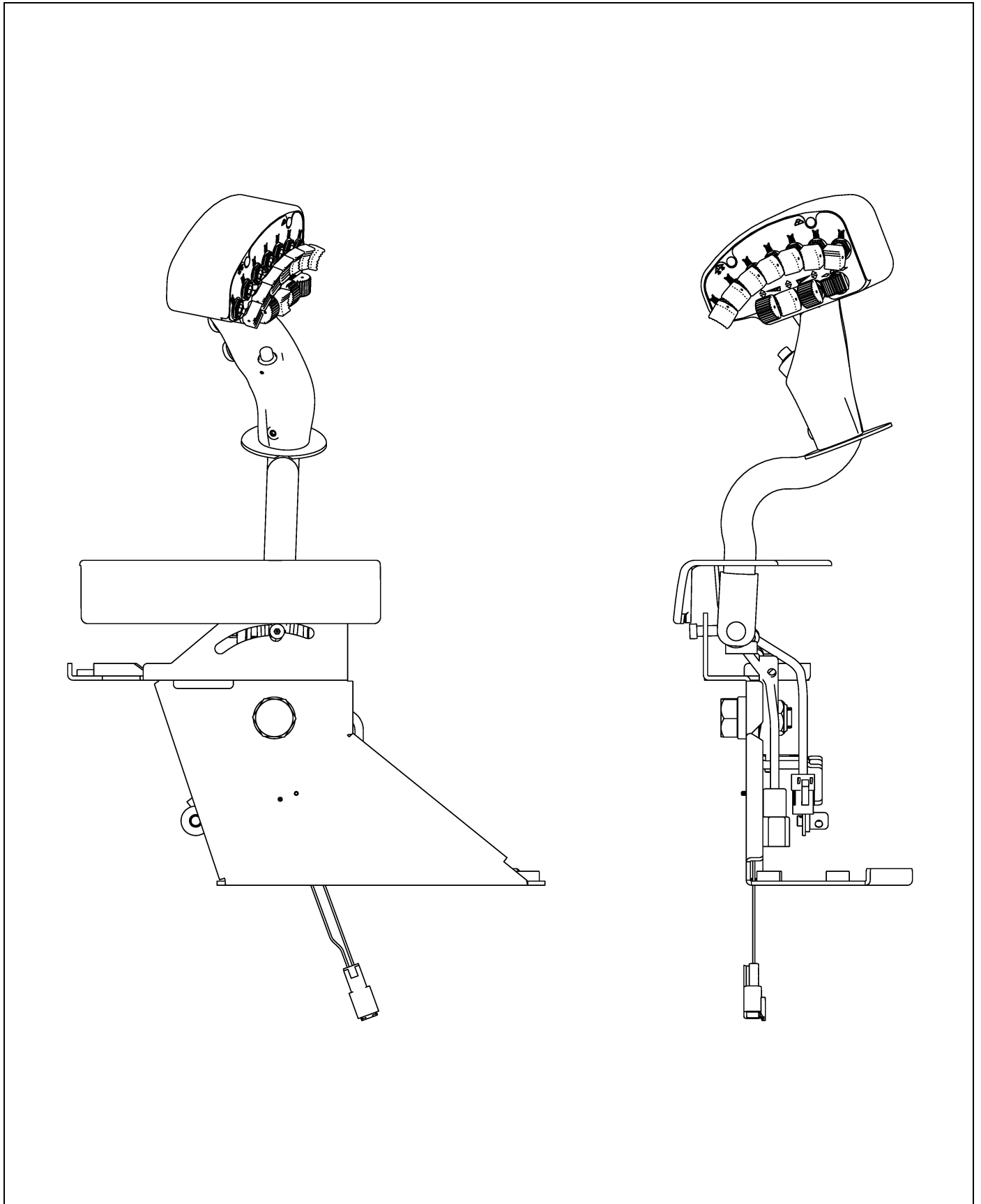


512007D1-03-R261-.TIF

ARMREST INSTL-RG,4WS,7 SECT

ITEM	PART #	QTY	DESCRIPTION	COMMENTS
1	500854D1	2	LEVER	
2	508624D1	1	BRKT WLDMT-MTG, ARMREST, RG	
3	518723D1	1	ARMREST ASM-RG,4WS,7 SECT	SEE PAGE 7-8
4	CH5P-8247	2	WASHER-HARD 17IDX32ODX3.5MM	
5	CH6V-5839	4	WASHER-HARD 11IDX21ODX2.5MM	
6	CH7X-0583	2	WASHER-HARD 17IDX45ODX6MM	
7	CH9X-2039	4	SCREW-M10X1.5X35MM TRUSS HEAD	

HANDLE ASM-HYDRO,7 SECT

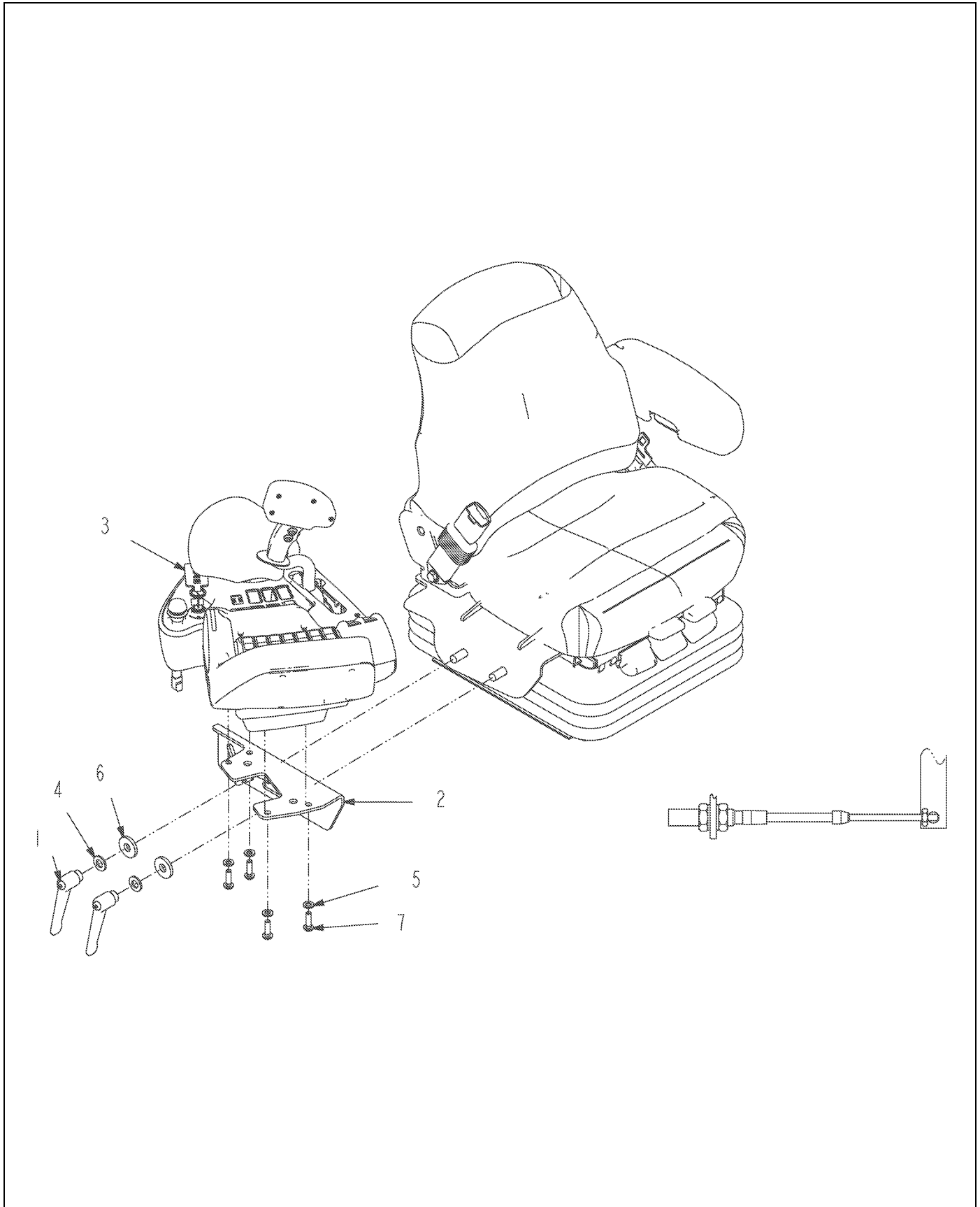


515929D1-01-N970-.TIF

HANDLE ASM-HYDRO,7 SECT

ITEM	PART #	QTY	DESCRIPTION	COMMENTS
0	AG331663	-	GUIDE/SHOULDER BOLT - KIT	SEE PAGE 7-20
0	AG331664	-	CABLE/ATTACH-WSHR-COTTRPIN KIT	SEE PAGE 7-21
0	AG331665	-	HNDL/ASSY/NOBRKT/NOFACEPLT KIT	SEE PAGE 7-22
0	AG331666	-	REVERSE/SWITCH-KIT	SEE PAGE 7-23
0	AG331667	-	AXLE/NUT-KIT	SEE PAGE 7-24
0	AG331668	-	FACEPLATE/ASSY	SEE PAGE 7-25

ARMREST INSTL-RG,4WS,7 SECT

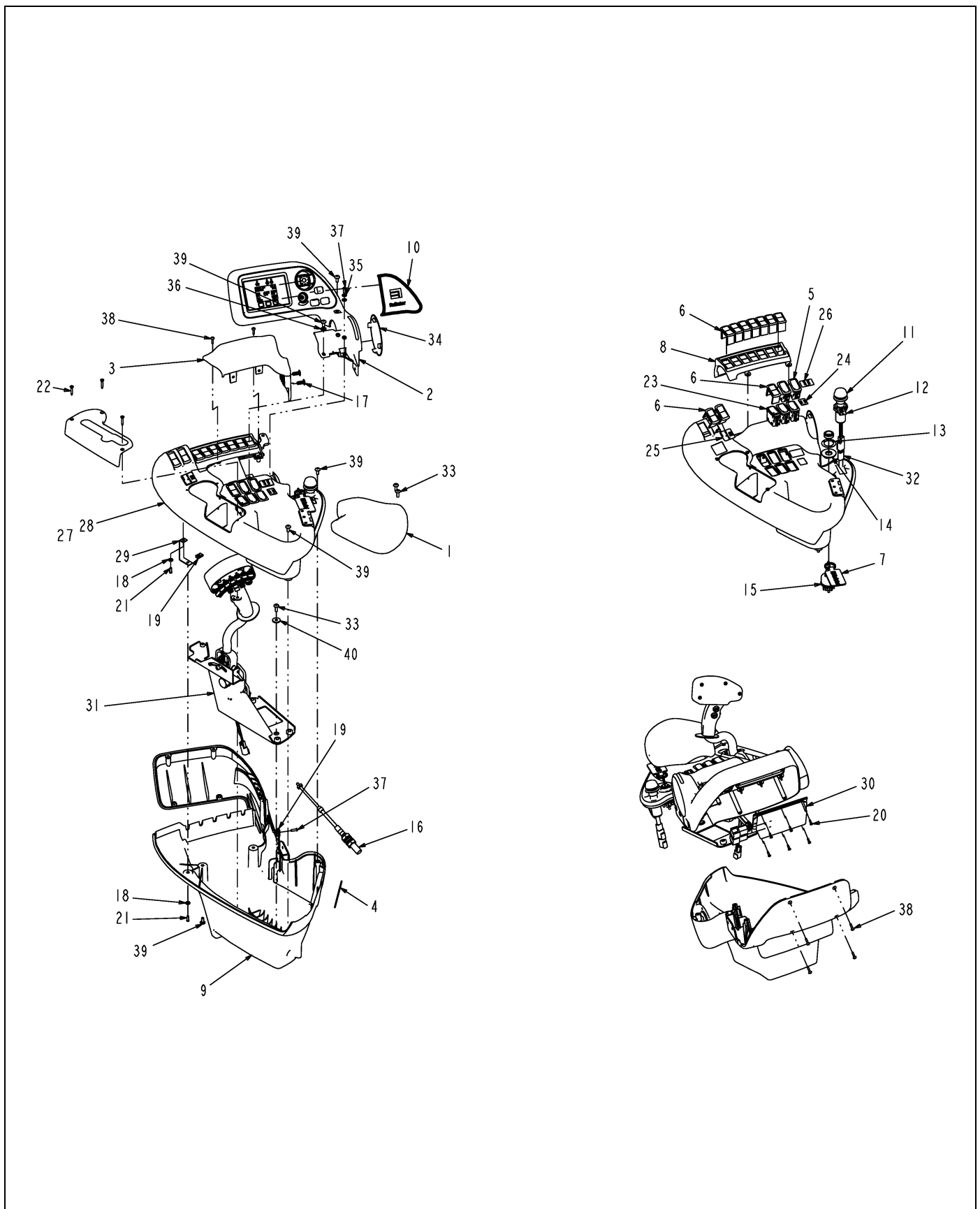


515477D1-01-N909-.TIF

ARMREST INSTL-RG,4WS,7 SECT

ITEM	PART #	QTY	DESCRIPTION	COMMENTS
1	500854D1	2	LEVER	
2	508624D1	1	BRKT WLDMT-MTG, ARMREST, RG	
3	515473D1	1	ARMREST ASM-RG,4WS,7 SECT	SEE PAGE 7-12
4	CH5P-8247	2	WASHER-HARD 17IDX32ODX3.5MM	
5	CH6V-5839	4	WASHER-HARD 11IDX21ODX2.5MM	
6	CH7X-0583	2	WASHER-HARD 17IDX45ODX6MM	
7	CH9X-2039	4	SCREW-M10X1.5X35MM TRUSS HEAD	

ARMREST ASM-RG,4WS,7 SECT

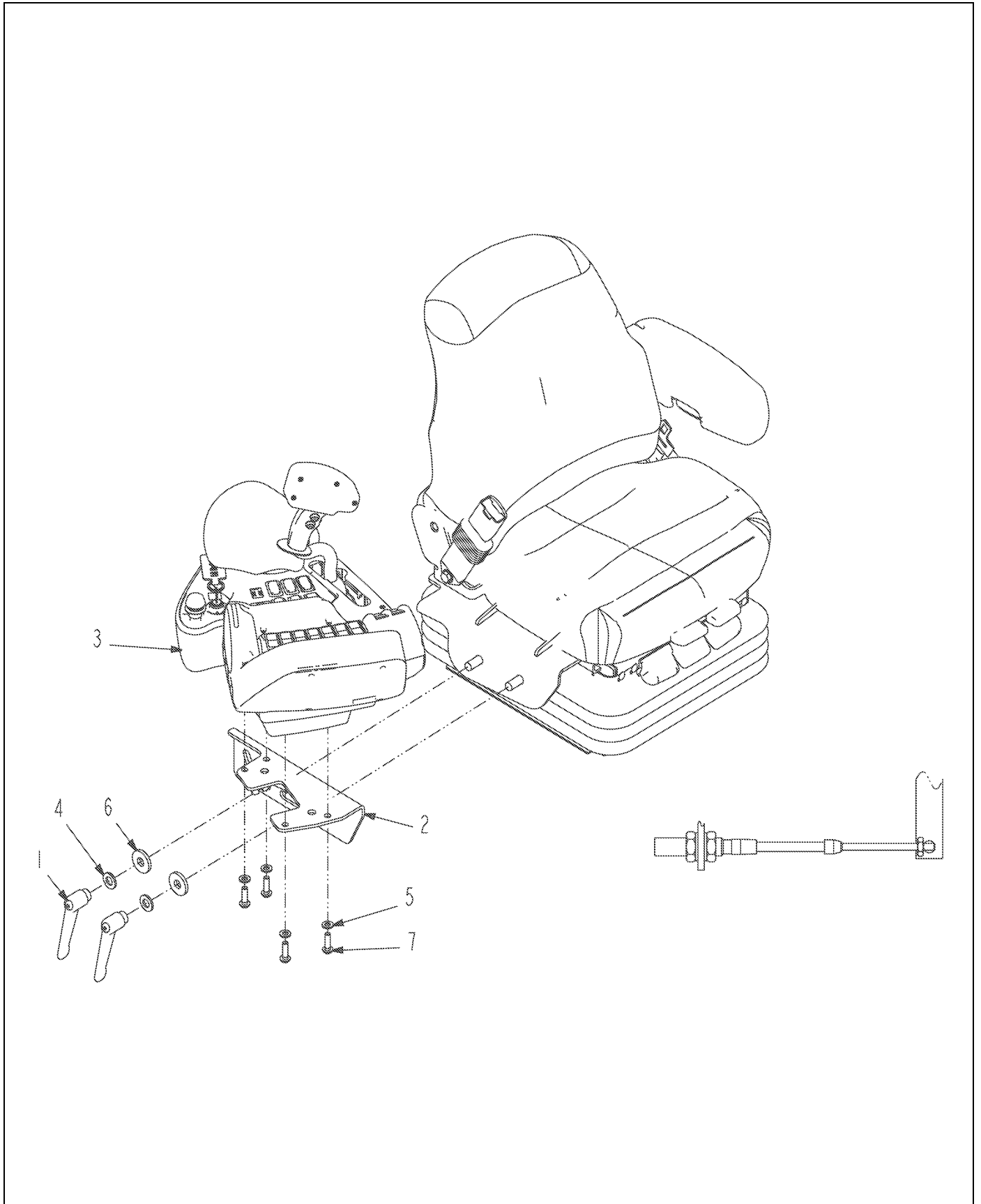


515473D1-02-R261-.TIF

ARMREST ASM-RG,4WS,7 SECT

ITEM	PART #	QTY	DESCRIPTION	COMMENTS
1	162-6738	1	PAD AS-ARM	
2	164-7042	1	HOUSING AS-RH MONITOR	
3	166-4608	1	PAD-PALM	
4	221-5433	1	COVER	
5	AG124432	4	SWITCH-RKR,(ON)-OFF-(ON),CS-L	
6	AG124437	10	PLUG-HOLE,SWITCH,CS-L	
7	AG129805	1	KEYCHAIN-LEATHER,RG	
8	AG134566	1	HOUSING-SWITCH,ARMREST	
9	AG134569	1	CONSOLE-BOTTOM,ARMREST	
10	AG135402	1	DECAL-DISPLAY,ARMREST,RG	
11	AG135988	1	SWITCH-PUSH BUTTON	
12	AG135990	1	DECAL-SWITCH,LOCK-OUT	
13	AG135991	1	DECAL-SWITCH,IGNITION	
14	AG135995	1	PLUG-ADAPTER,IGN SW	
15	AG520862	1	SWITCH-IGN,KEYED DIFFERENT	
16	AG521284	1	CABLE-PUSH/PULL,105.00,4.00TRV	
17	400110X1	2	CLIP-TREE 8MM DIA X 3-12MM THK	
18	400310X1	2	WASHER	
19	400356X1	2	CLIP-SPRING M5X.8-6H	
20	400835X1	6	SCREW #6-19X12.7 PAN THD CTG	
21	400836X1	2	SCREW-PAN M5X0.8X14 CROSS	
22	401278X1	3	SCREW, #10 PLASTITE BLACK 25MM	
23	504953D1	1	SWITCH-RKR,MOMENTARY,THROTTLE	
24	504954D1	1	DECAL-TRACK ADJUST,REAR	
25	504955D1	1	DECAL-HYDRO HANDLE	
26	504959D1	1	DECAL-TRACK ADJUST,FRONT	
27	504960D1	1	HARNES INSTL-ARMREST,RG	SEE PAGE 7-26
28	511759D1	1	CONSOLE-TOP,ARMREST	
29	511764D1	1	BRKT, SUPPORT	
30	515357D1	1	MODULE-DISPLAY,ARMREST	
31	515929D1	1	HANDLE ASM-HYDRO,7 SECT	SEE PAGE 7-10
32	518651D1	1	HARN-RESISTOR,IN LINE,20 OHM	
33	CH207-2021	4	SCREW-K70-3.14 TORX	
34	CH214-1071	1	PLUG	
35	CH2A-3211	2	WASHER-5.5IDX12.3ODX0.8MM	
36	CH5P-0537	1	WASHER-HARD 7.2IDX14.5ODX2MM	
37	CH8T-6693	2	SCREW-PAN M5X0.8X16 CROSS	
38	CH9X-1046	6	SCREW-M4X0.7X18MM TORX	
39	CH9X-2044	6	SCREW-M6X1X16MM TRUSS HEAD	
40	CH9X-6165	2	WASHER-6.5IDX22ODX2.5MM	

ARMREST INSTL-RG,2WS,7 SECT

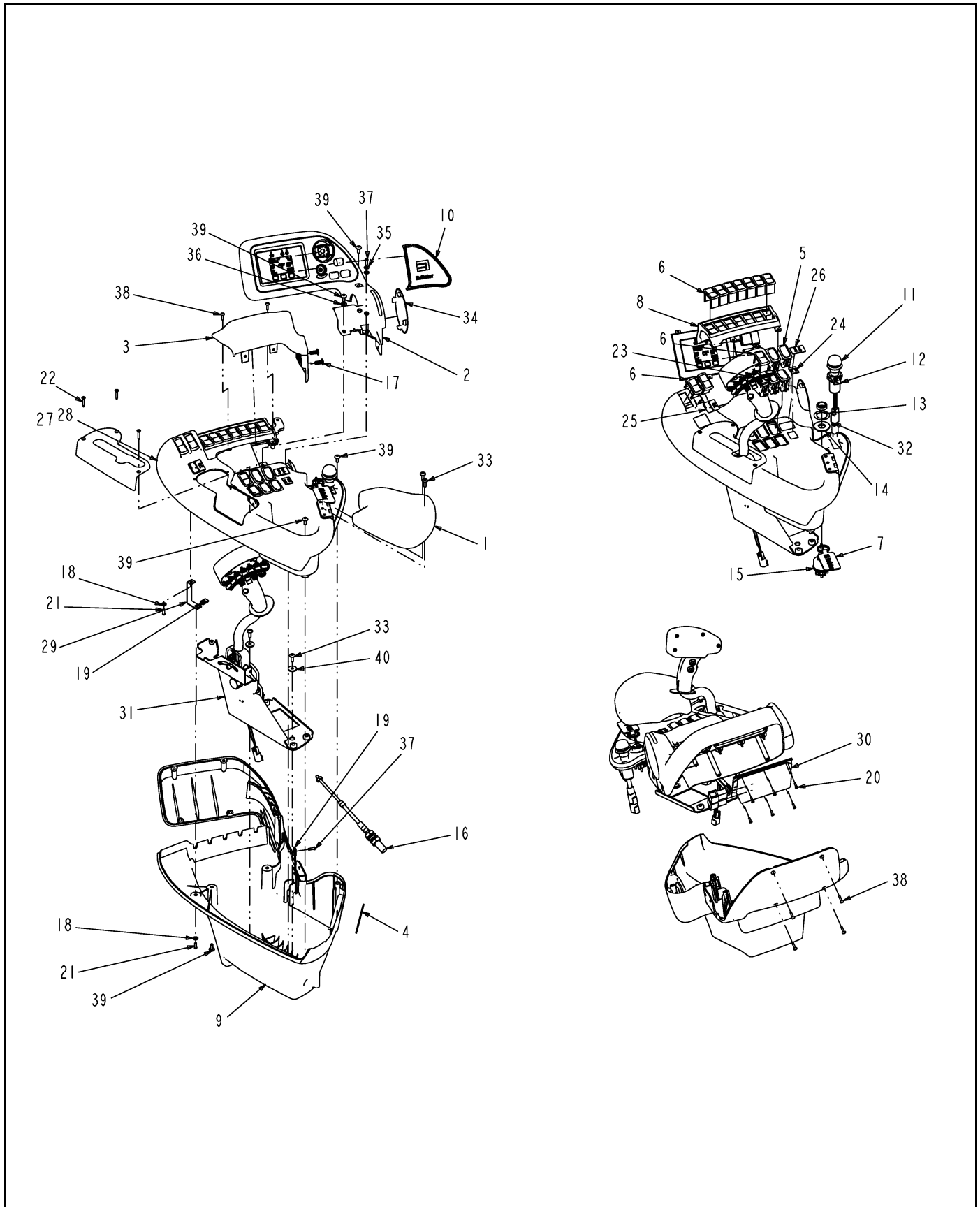


515478D1-01-N909-.TIF

ARMREST INSTL-RG,2WS,7 SECT

ITEM	PART #	QTY	DESCRIPTION	COMMENTS
1	500854D1	2	LEVER	
2	508624D1	1	BRKT WLDMT-MTG, ARMREST, RG	
3	515474D1	1	ARMREST ASM-RG,2WS,7 SECT	SEE PAGE 7-14
4	CH5P-8247	2	WASHER-HARD 17IDX32ODX3.5MM	
5	CH6V-5839	4	WASHER-HARD 11IDX21ODX2.5MM	
6	CH7X-0583	2	WASHER-HARD 17IDX45ODX6MM	
7	CH9X-2039	4	SCREW-M10X1.5X35MM TRUSS HEAD	

ARMREST ASM-RG,2WS,7 SECT

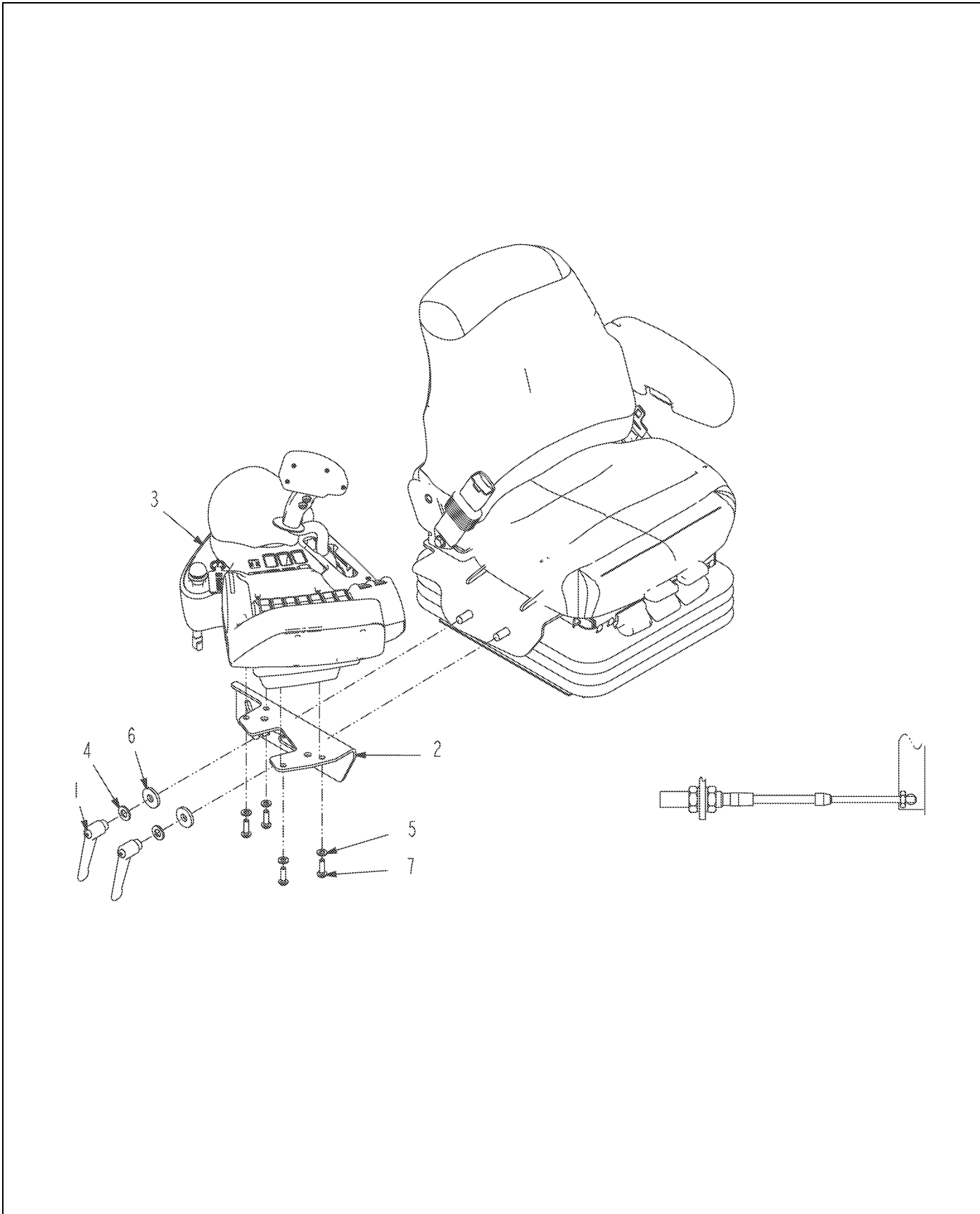


515474D1-02-R261-.TIF

ARMREST ASM-RG,2WS,7 SECT

ITEM	PART #	QTY	DESCRIPTION	COMMENTS
1	162-6738	1	PAD AS-ARM	
2	164-7042	1	HOUSING AS-RH MONITOR	
3	166-4608	1	PAD-PALM	
4	221-5433	1	COVER	
5	AG124432	4	SWITCH-RKR,(ON)-OFF-(ON),CS-L	
6	AG124437	10	PLUG-HOLE,SWITCH,CS-L	
7	AG129805	1	KEYCHAIN-LEATHER,RG	
8	AG134566	1	HOUSING-SWITCH,ARMREST	
9	AG134569	1	CONSOLE-BOTTOM,ARMREST	
10	AG135402	1	DECAL-DISPLAY,ARMREST,RG	
11	AG135988	1	SWITCH-PUSH BUTTON	
12	AG135990	1	DECAL-SWITCH,LOCK-OUT	
13	AG135991	1	DECAL-SWITCH,IGNITION	
14	AG135995	1	PLUG-ADAPTER,IGN SW	
15	AG520862	1	SWITCH-IGN,KEYED DIFFERENT	
16	AG521284	1	CABLE-PUSH/PULL,105.00,4.00TRV	
17	400110X1	2	CLIP-TREE 8MM DIA X 3-12MM THK	
18	400310X1	2	WASHER	
19	400356X1	2	CLIP-SPRING M5X.8-6H	
20	400835X1	6	SCREW #6-19X12.7 PAN THD CTG	
21	400836X1	2	SCREW-PAN M5X0.8X14 CROSS	
22	401278X1	3	SCREW, #10 PLASTITE BLACK 25MM	
23	504953D1	1	SWITCH-RKR,MOMENTARY,THROTTLE	
24	504954D1	1	DECAL-TRACK ADJUST,REAR	
25	504955D1	1	DECAL-HYDRO HANDLE	
26	504959D1	1	DECAL-TRACK ADJUST,FRONT	
27	504960D1	1	HARNES INSTL-ARMREST,RG	SEE PAGE 7-26
28	511759D1	1	CONSOLE-TOP,ARMREST	
29	511764D1	1	BRKT, SUPPORT	
30	515357D1	1	MODULE-DISPLAY,ARMREST	
31	515929D1	1	HANDLE ASM-HYDRO,7 SECT	SEE PAGE 7-10
32	518651D1	1	HARN-RESISTOR,IN LINE,20 OHM	
33	CH207-2021	4	SCREW-K70-3.14 TORX	
34	CH214-1071	1	PLUG	
35	CH2A-3211	2	WASHER-5.5IDX12.3ODX0.8MM	
36	CH5P-0537	1	WASHER-HARD 7.2IDX14.5ODX2MM	
37	CH8T-6693	2	SCREW-PAN M5X0.8X16 CROSS	
38	CH9X-1046	6	SCREW-M4X0.7X18MM TORX	
39	CH9X-2044	6	SCREW-M6X1X16MM TRUSS HEAD	
40	CH9X-6165	2	WASHER-6.5IDX22ODX2.5MM	

ARMREST INSTL-RG,4WS,5 SECT

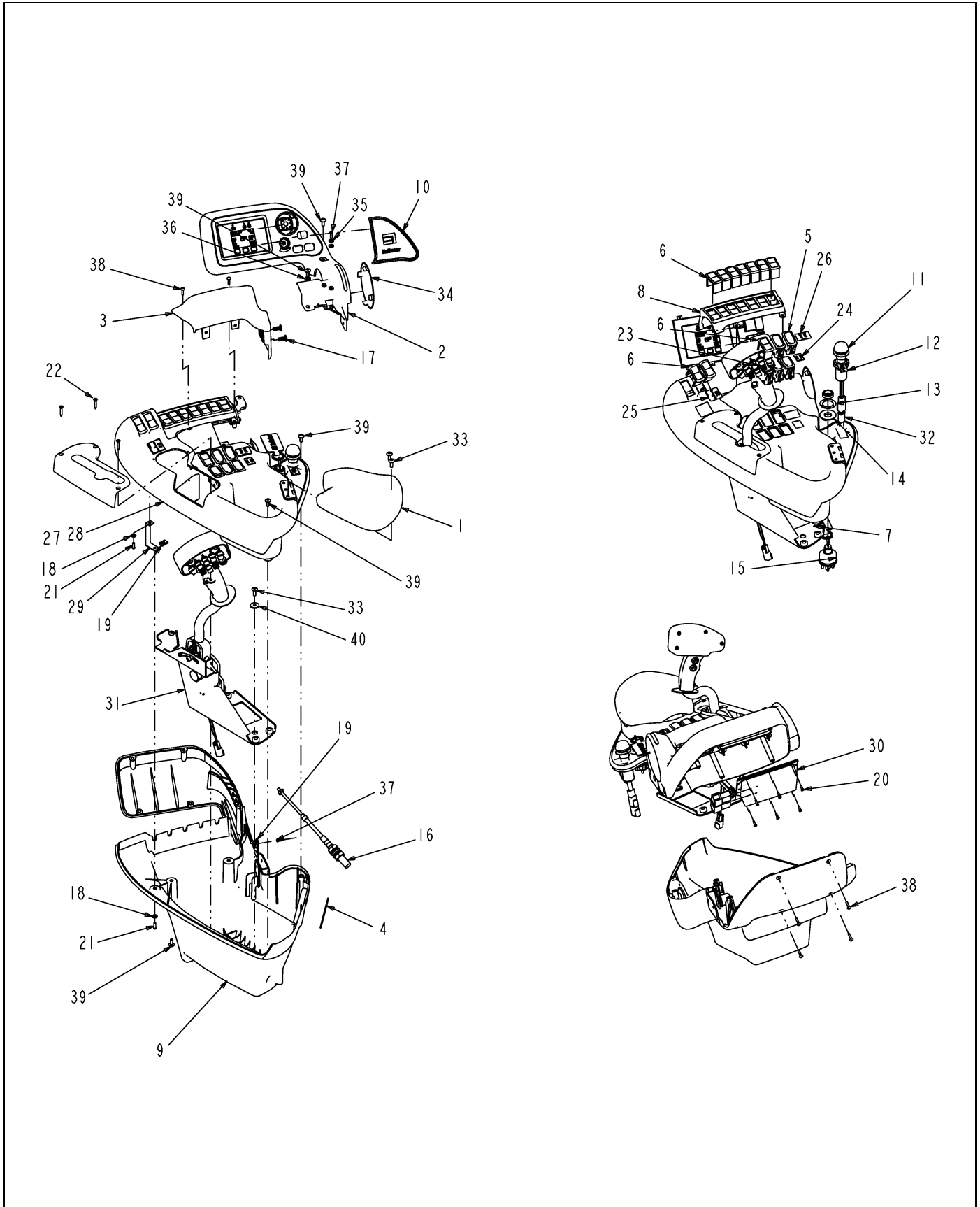


515479D1-01-N909-.TIF

ARMREST INSTL-RG,4WS,5 SECT

ITEM	PART #	QTY	DESCRIPTION	COMMENTS
1	500854D1	2	LEVER	
2	508624D1	1	BRKT WLDMT-MTG, ARMREST, RG	
3	515475D1	1	ARMREST ASM-RG,4WS,5 SECT	SEE PAGE 7-16
4	CH5P-8247	2	WASHER-HARD 17IDX32ODX3.5MM	
5	CH6V-5839	4	WASHER-HARD 11IDX21ODX2.5MM	
6	CH7X-0583	2	WASHER-HARD 17IDX45ODX6MM	
7	CH9X-2039	4	SCREW-M10X1.5X35MM TRUSS HEAD	

ARMREST ASM-RG,4WS,5 SECT

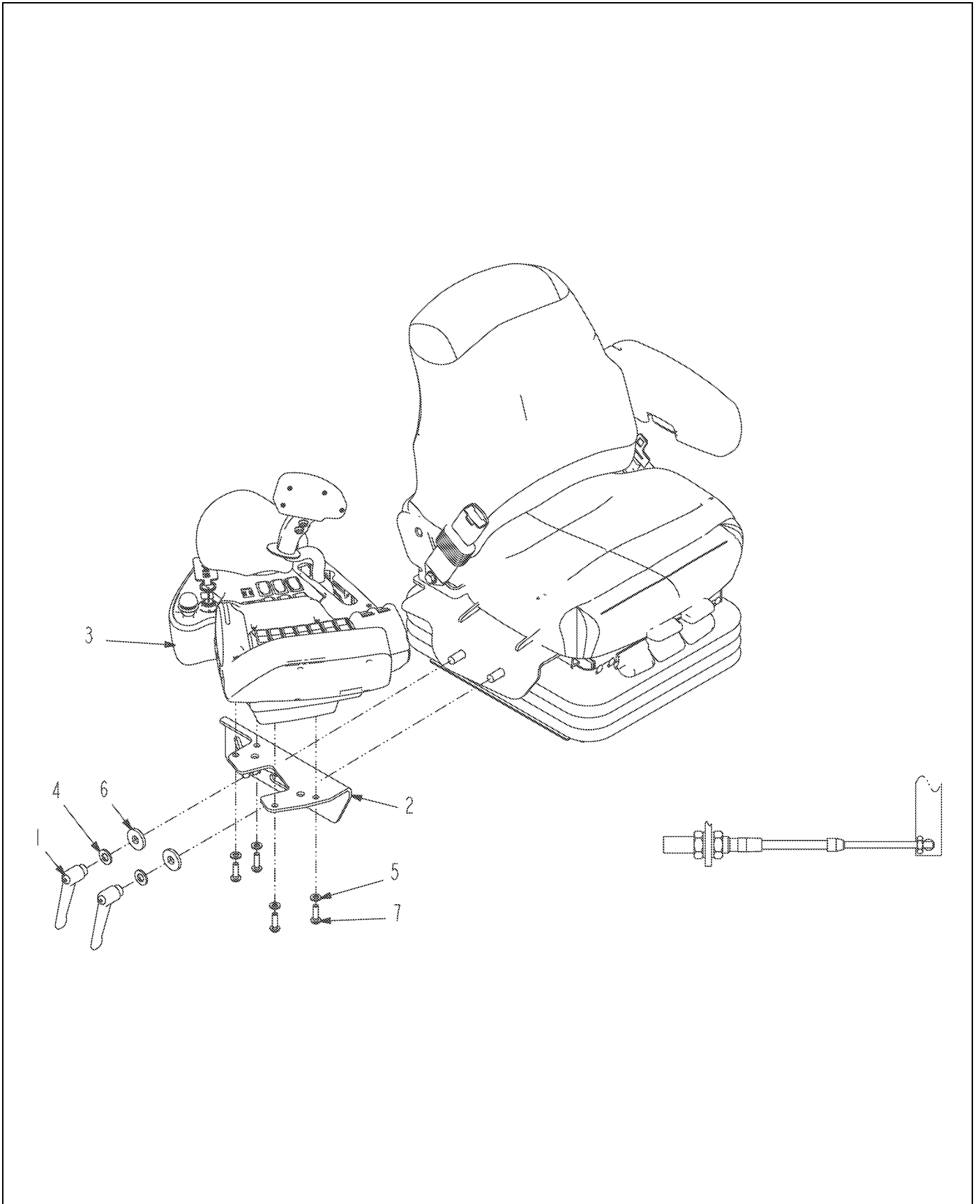


515475D1-02-R261-.TIF

ARMREST ASM-RG,4WS,5 SECT

ITEM	PART #	QTY	DESCRIPTION	COMMENTS
1	162-6738	1	PAD AS-ARM	
2	164-7042	1	HOUSING AS-RH MONITOR	
3	166-4608	1	PAD-PALM	
4	221-5433	1	COVER	
5	AG124432	4	SWITCH-RKR,(ON)-OFF-(ON),CS-L	
6	AG124437	10	PLUG-HOLE,SWITCH,CS-L	
7	AG129805	1	KEYCHAIN-LEATHER,RG	
8	AG134566	1	HOUSING-SWITCH,ARMREST	
9	AG134569	1	CONSOLE-BOTTOM,ARMREST	
10	AG135402	1	DECAL-DISPLAY,ARMREST,RG	
11	AG135988	1	SWITCH-PUSH BUTTON	
12	AG135990	1	DECAL-SWITCH,LOCK-OUT	
13	AG135991	1	DECAL-SWITCH,IGNITION	
14	AG135995	1	PLUG-ADAPTER,IGN SW	
15	AG520862	1	SWITCH-IGN,KEYED DIFFERENT	
16	AG521284	1	CABLE-PUSH/PULL,105.00,4.00TRV	
17	400110X1	2	CLIP-TREE 8MM DIA X 3-12MM THK	
18	400310X1	2	WASHER	
19	400356X1	2	CLIP-SPRING M5X.8-6H	
20	400835X1	6	SCREW #6-19X12.7 PAN THD CTG	
21	400836X1	2	SCREW-PAN M5X0.8X14 CROSS	
22	401278X1	3	SCREW, #10 PLASTITE BLACK 25MM	
23	504953D1	1	SWITCH-RKR,MOMENTARY,THROTTLE	
24	504954D1	1	DECAL-TRACK ADJUST,REAR	
25	504955D1	1	DECAL-HYDRO HANDLE	
26	504959D1	1	DECAL-TRACK ADJUST,FRONT	
27	504960D1	1	HARNES INSTL-ARMREST,RG	SEE PAGE 7-26
28	511759D1	1	CONSOLE-TOP,ARMREST	
29	511764D1	1	BRKT, SUPPORT	
30	515357D1	1	MODULE-DISPLAY,ARMREST	
31	515928D1	1	HANDLE ASM-HYDRO,5 SECT	SEE PAGE 7-5
32	518651D1	1	HARN-RESISTOR,IN LINE,20 OHM	
33	CH207-2021	4	SCREW-K70-3.14 TORX	
34	CH214-1071	1	PLUG	
35	CH2A-3211	2	WASHER-5.5IDX12.3ODX0.8MM	
36	CH5P-0537	1	WASHER-HARD 7.2IDX14.5ODX2MM	
37	CH8T-6693	2	SCREW-PAN M5X0.8X16 CROSS	
38	CH9X-1046	6	SCREW-M4X0.7X18MM TORX	
39	CH9X-2044	6	SCREW-M6X1X16MM TRUSS HEAD	
40	CH9X-6165	2	WASHER-6.5IDX22ODX2.5MM	

ARMREST INSTL-RG,2WS,5 SECT

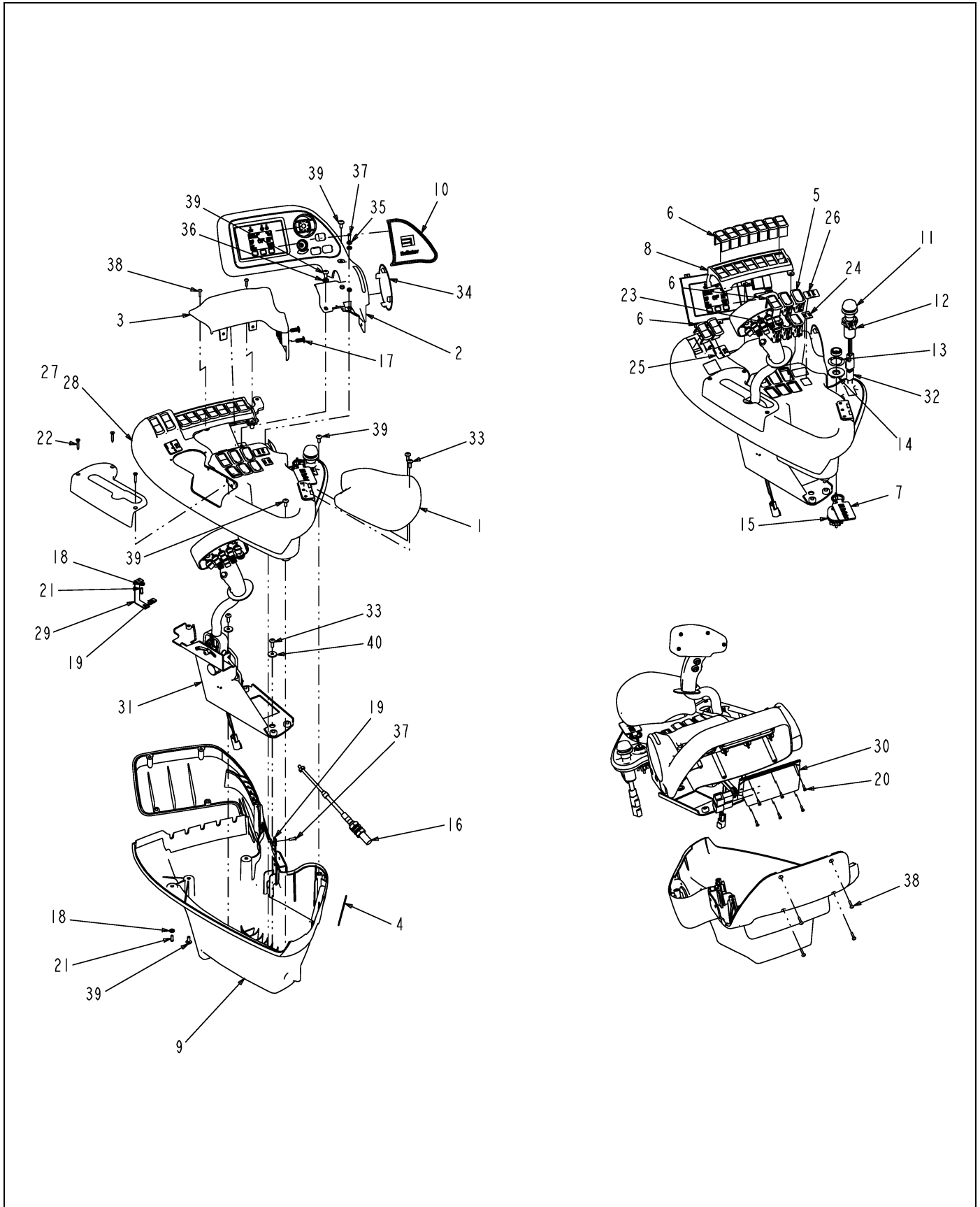


515480D1-01-N909-.TIF

ARMREST INSTL-RG,2WS,5 SECT

ITEM	PART #	QTY	DESCRIPTION	COMMENTS
1	500854D1	2	LEVER	
2	508624D1	1	BRKT WLDMT-MTG, ARMREST, RG	
3	515476D1	1	ARMREST ASM-RG,2WS,5 SECT	SEE PAGE 7-18
4	CH5P-8247	2	WASHER-HARD 17IDX32ODX3.5MM	
5	CH6V-5839	4	WASHER-HARD 11IDX21ODX2.5MM	
6	CH7X-0583	2	WASHER-HARD 17IDX45ODX6MM	
7	CH9X-2039	4	SCREW-M10X1.5X35MM TRUSS HEAD	

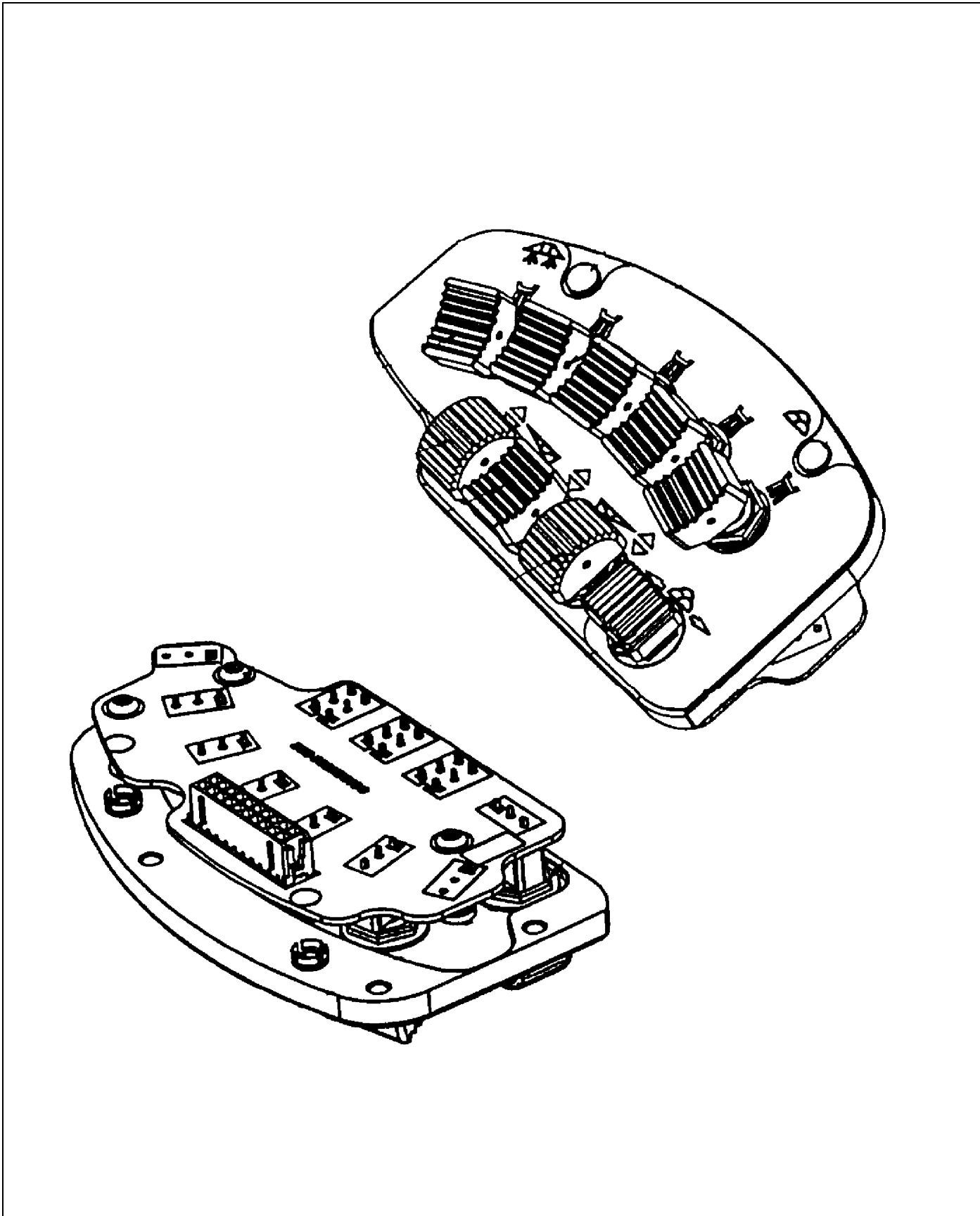
ARMREST ASM-RG,2WS,5 SECT



515476D1-02-R261-.TIF

ARMREST ASM-RG,2WS,5 SECT

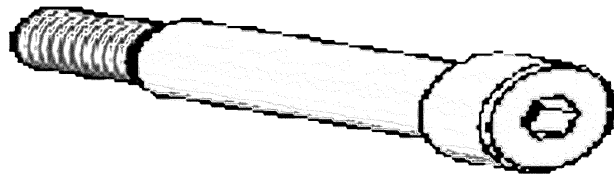
ITEM	PART #	QTY	DESCRIPTION	COMMENTS
1	162-6738	1	PAD AS-ARM	
2	164-7042	1	HOUSING AS-RH MONITOR	
3	166-4608	1	PAD-PALM	
4	221-5433	1	COVER	
5	AG124432	4	SWITCH-RKR,(ON)-OFF-(ON),CS-L	
6	AG124437	10	PLUG-HOLE,SWITCH,CS-L	
7	AG129805	1	KEYCHAIN-LEATHER,RG	
8	AG134566	1	HOUSING-SWITCH,ARMREST	
9	AG134569	1	CONSOLE-BOTTOM,ARMREST	
10	AG135402	1	DECAL-DISPLAY,ARMREST,RG	
11	AG135988	1	SWITCH-PUSH BUTTON	
12	AG135990	1	DECAL-SWITCH,LOCK-OUT	
13	AG135991	1	DECAL-SWITCH,IGNITION	
14	AG135995	1	PLUG-ADAPTER,IGN SW	
15	AG520862	1	SWITCH-IGN,KEYED DIFFERENT	
16	AG521284	1	CABLE-PUSH/PULL,105.00,4.00TRV	
17	400110X1	2	CLIP-TREE 8MM DIA X 3-12MM THK	
18	400310X1	2	WASHER	
19	400356X1	2	CLIP-SPRING M5X.8-6H	
20	400835X1	6	SCREW #6-19X12.7 PAN THD CTG	
21	400836X1	2	SCREW-PAN M5X0.8X14 CROSS	
22	401278X1	3	SCREW, #10 PLASTITE BLACK 25MM	
23	504953D1	1	SWITCH-RKR,MOMENTARY,THROTTLE	
24	504954D1	1	DECAL-TRACK ADJUST,REAR	
25	504955D1	1	DECAL-HYDRO HANDLE	
26	504959D1	1	DECAL-TRACK ADJUST,FRONT	
27	504960D1	1	HARNES INSTL-ARMREST,RG	SEE PAGE 7-26
28	511759D1	1	CONSOLE-TOP,ARMREST	
29	511764D1	1	BRKT, SUPPORT	
30	515357D1	1	MODULE-DISPLAY,ARMREST	
31	515928D1	1	HANDLE ASM-HYDRO,5 SECT	SEE PAGE 7-5
32	518651D1	1	HARN-RESISTOR,IN LINE,20 OHM	
33	CH207-2021	4	SCREW-K70-3.14 TORX	
34	CH214-1071	1	PLUG	
35	CH2A-3211	2	WASHER-5.5IDX12.3ODX0.8MM	
36	CH5P-0537	1	WASHER-HARD 7.2IDX14.5ODX2MM	
37	CH8T-6693	2	SCREW-PAN M5X0.8X16 CROSS	
38	CH9X-1046	6	SCREW-M4X0.7X18MM TORX	
39	CH9X-2044	6	SCREW-M6X1X16MM TRUSS HEAD	
40	CH9X-6165	2	WASHER-6.5IDX22ODX2.5MM	



331659.tif

FACEPLATE/ASSY

ITEM	PART #	QTY	DESCRIPTION	COMMENTS
0	514285D1 FOOTNOTE	-	DECAL-MULTIFUNCTION,5-SECT NOT SERVICEABLE. INCLUDES SWITCHES, BUTTONS, FACEPLATE, PCB AND OVERLAY.	

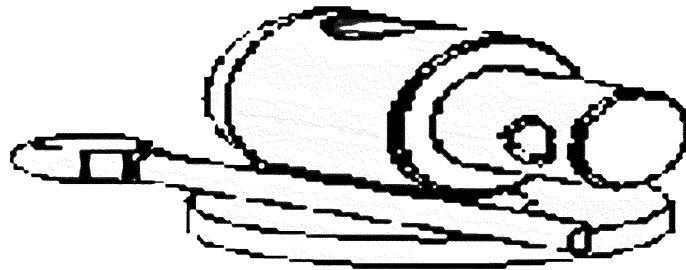


331663.tif

GUIDE/SHOULDER BOLT-KIT

ITEM	PART #	QTY	DESCRIPTION	COMMENTS
0	NS FOOTNOTE	-	NON-SERVICEABLE PART INCLUDES GUIDE SHOULDER BOLT.	

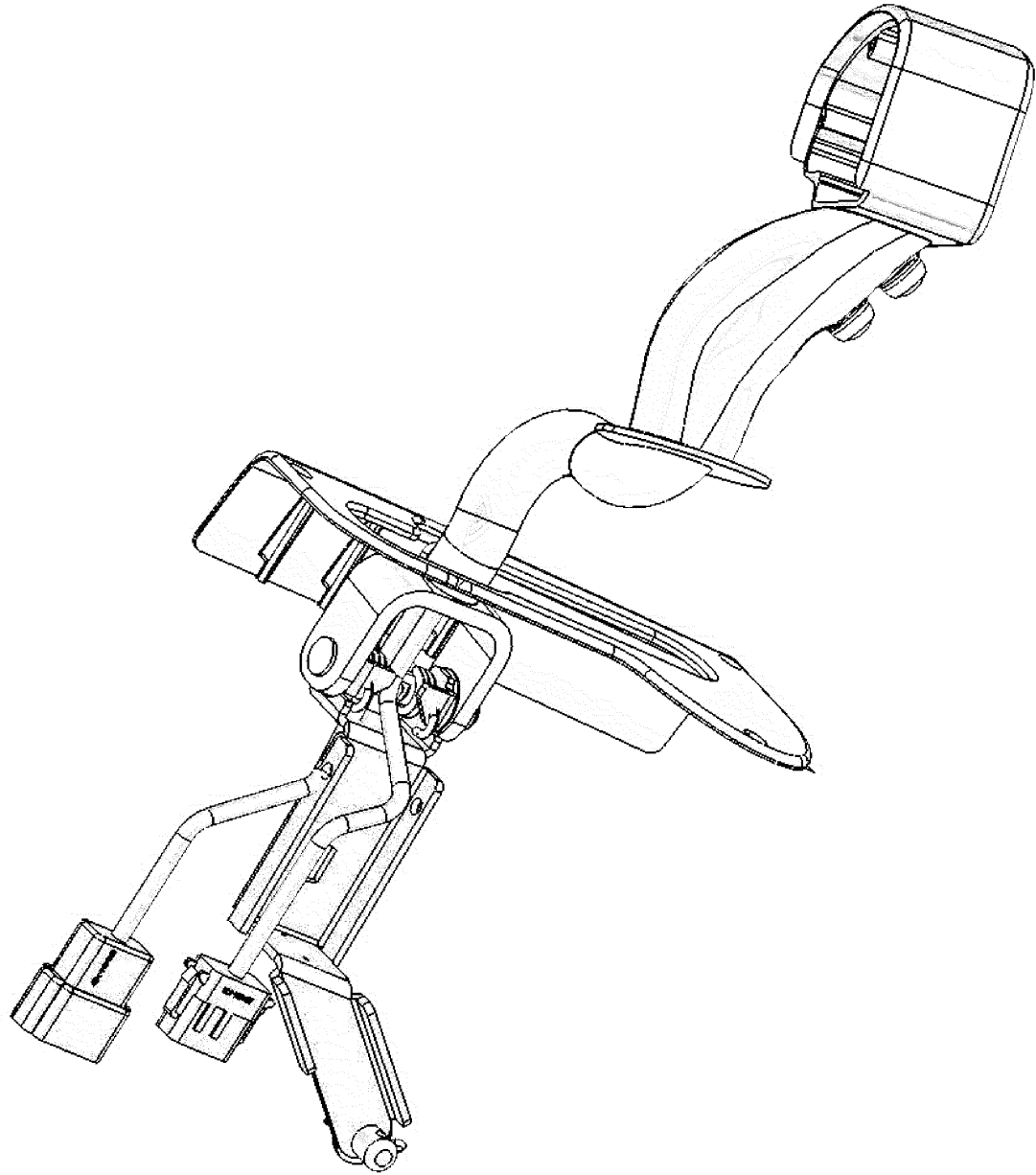
CABLE/ATTACH-WSHR-COTTRPIN KIT



331664.tif

CABLE/ATTACH-WSHR-COTTRPIN KIT

ITEM	PART #	QTY	DESCRIPTION	COMMENTS
0	NS FOOTNOTE	-	NON-SERVICEABLE PART INCLUDES CLEVIS, WASHER AND COTTER PIN.	

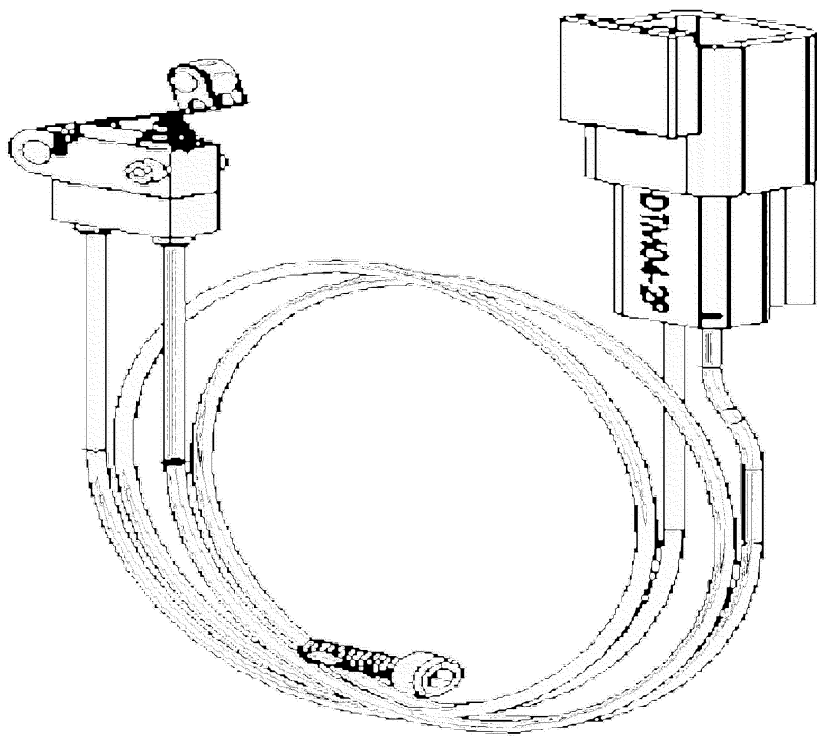


331665.tif

HNDL/ASSY/NOBRKT/NOFACEPLT KIT

ITEM	PART #	QTY	DESCRIPTION	COMMENTS
0	NS FOOTNOTE	-	NON-SERVICEABLE PART INCLUDES HANDLE, TUBE, Z PLATE, HARNESS, SPRINGS, NO FACEPLATE ASSEMBLY.	

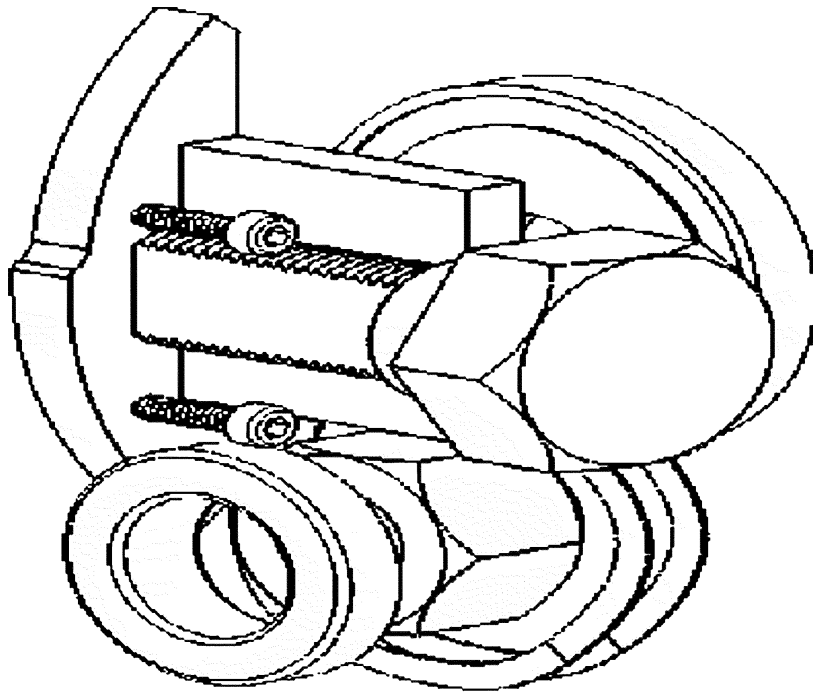
REVERSE/SWITCH-KIT



331666.tif

REVERSE/SWITCH-KIT

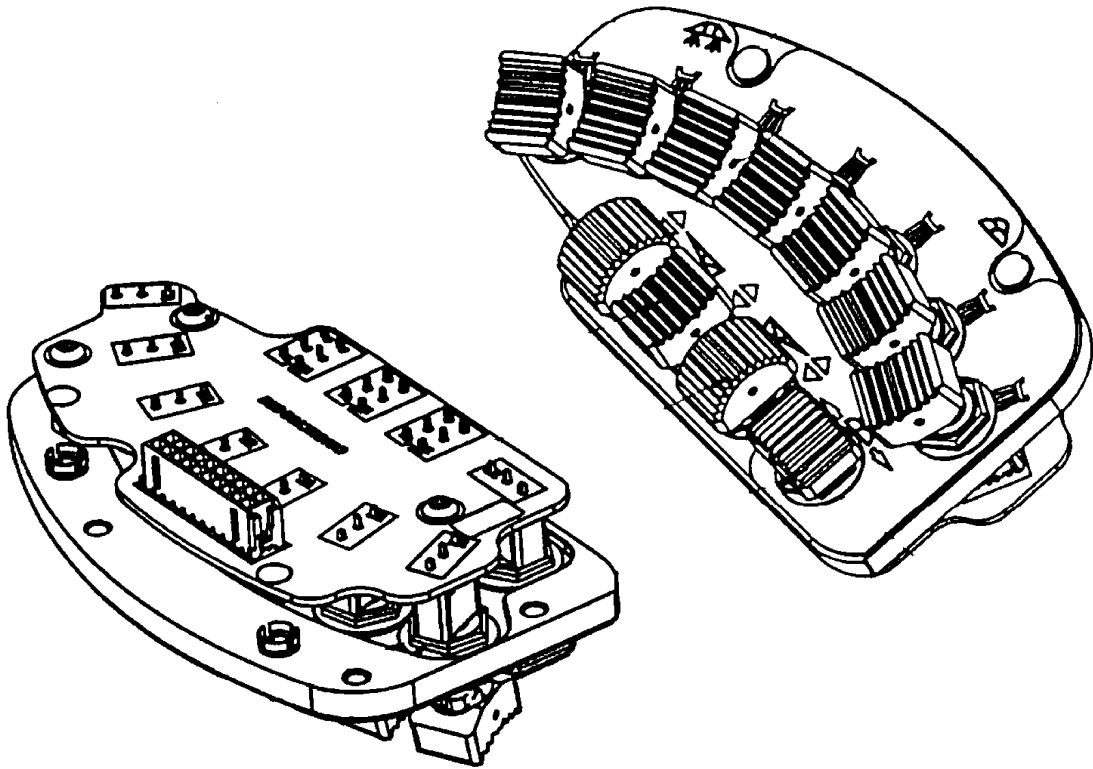
ITEM	PART #	QTY	DESCRIPTION	COMMENTS
0	NS FOOTNOTE	-	NON-SERVICEABLE PART INCLUDES REVERSE SWITCH AND HARNESS.	



331667.tif

AXLE/NUT-KIT

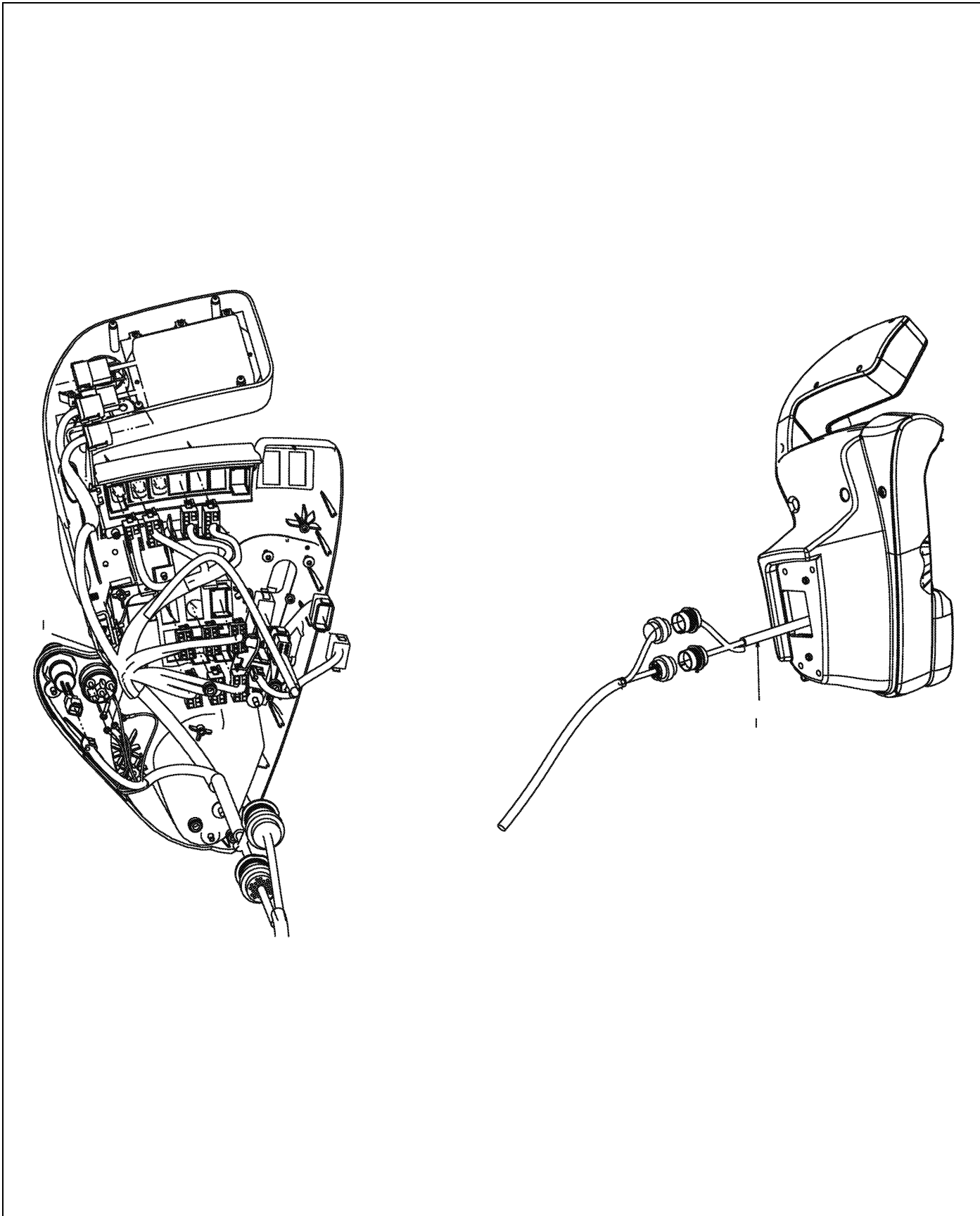
ITEM	PART #	QTY	DESCRIPTION	COMMENTS
0	NS FOOTNOTE	-	NON-SERVICEABLE PART INCLUDES CAM, TENSION SPRINGS, AXLE, WASHER AND NUT.	



331668.tif

FACEPLATE/ASSY

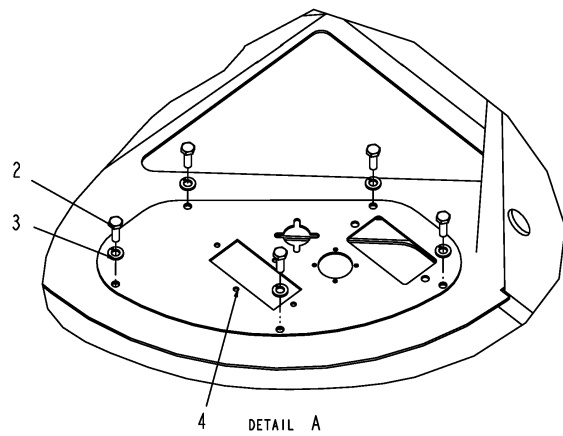
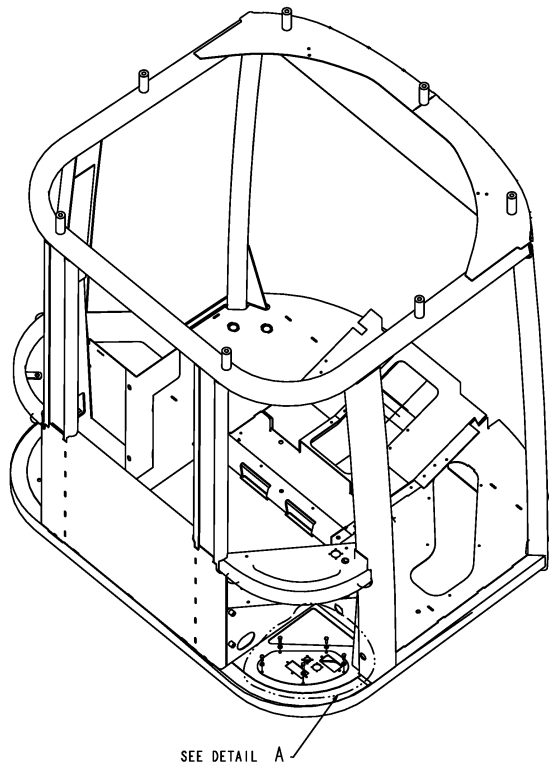
ITEM	PART #	QTY	DESCRIPTION	COMMENTS
0	514286D1 FOOTNOTE	-	DECAL-MULTIFUNCTION,7-SECT NOT SERVICEABLE. INCLUDES SWITCHES, BUTTONS, FACEPLATE, PCB AND OVERLAY.	



504960D1-03-N507-.TIF

HARNESS INSTL-ARMREST, RG

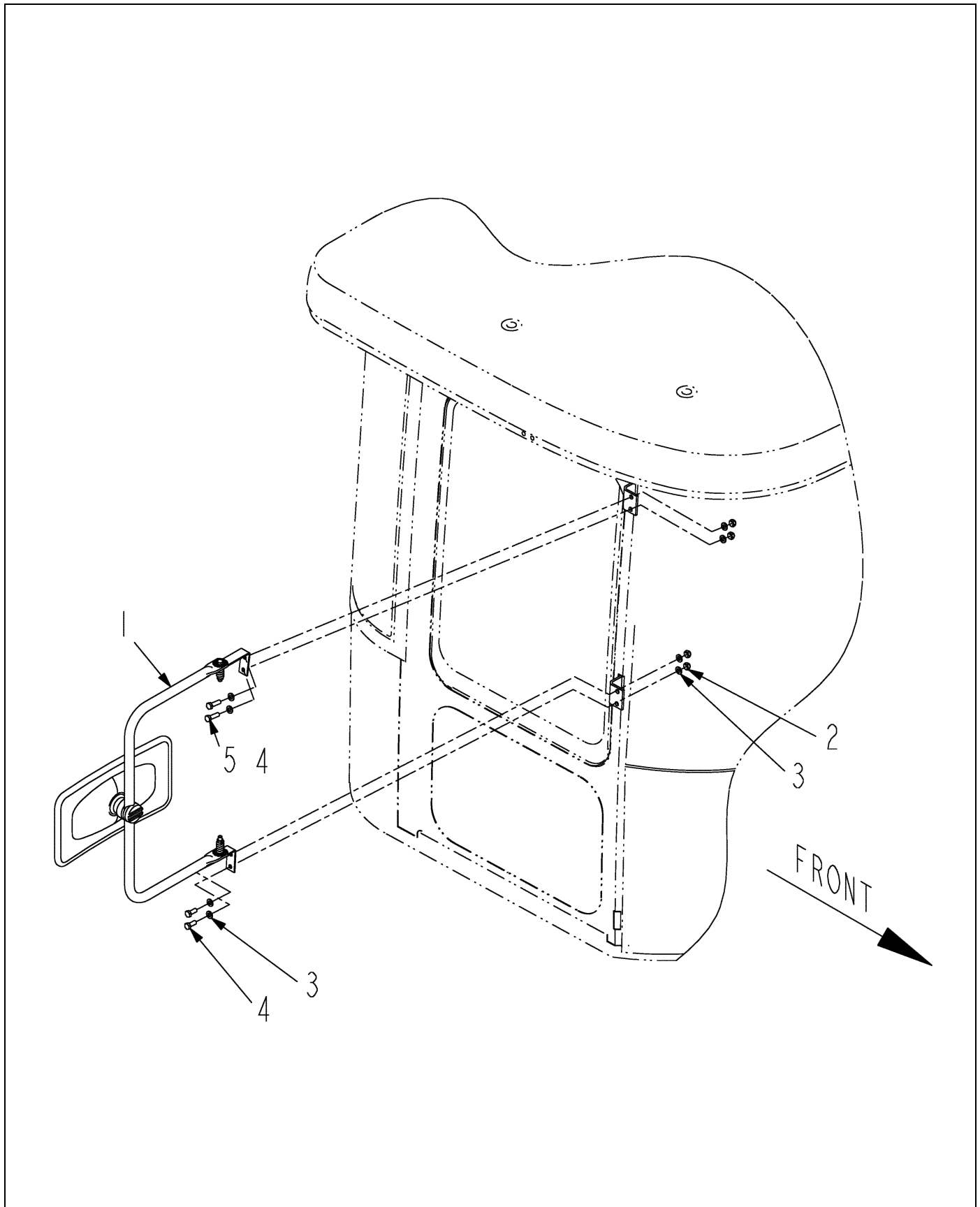
ITEM	PART #	QTY	DESCRIPTION	COMMENTS
1	503997D1	1	HARNESS-ARMREST,1274C	



504363D1-01-M545.TIF

INSTL-CAB,BLKHD,2WS

ITEM	PART #	QTY	DESCRIPTION	COMMENTS
1	AG136004	1	ARMREST ASM-RG,2W R/B512010D1	
2	AG562327	5	BOLT M6-1.00X20MM G8.8 ZN HHD	
3	AG562792	5	WASHER LOCK M6 SPRING ZN	
4	504361D1	1	PLATE-BLKHD,RG,2WS	

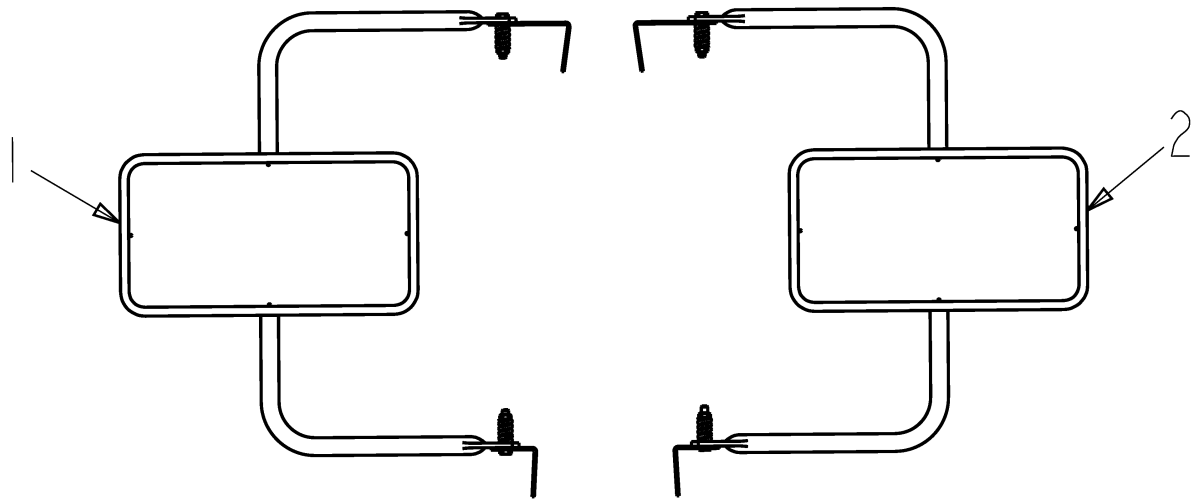


134298-02-N153-.TIF

MIRROR INSTL-CAB, RG

ITEM	PART #	QTY	DESCRIPTION	COMMENTS
1	AG134306	1	MIRROR ASM-LH/RH, RG	SEE PAGE 7-29
2	AG520875	8	NUT-M10-1.5,H,SS,NYLON INS	
3	AG520878	16	WASHER-FLAT,M10,SS,REG	
4	AG521010	6	BOLT-M10-1.5X25,A2,SS,HHD	
5	AG521059	2	BOLT-M10-1.5X35,A2,SS,HHD	

MIRROR ASM-LH/RH, RG

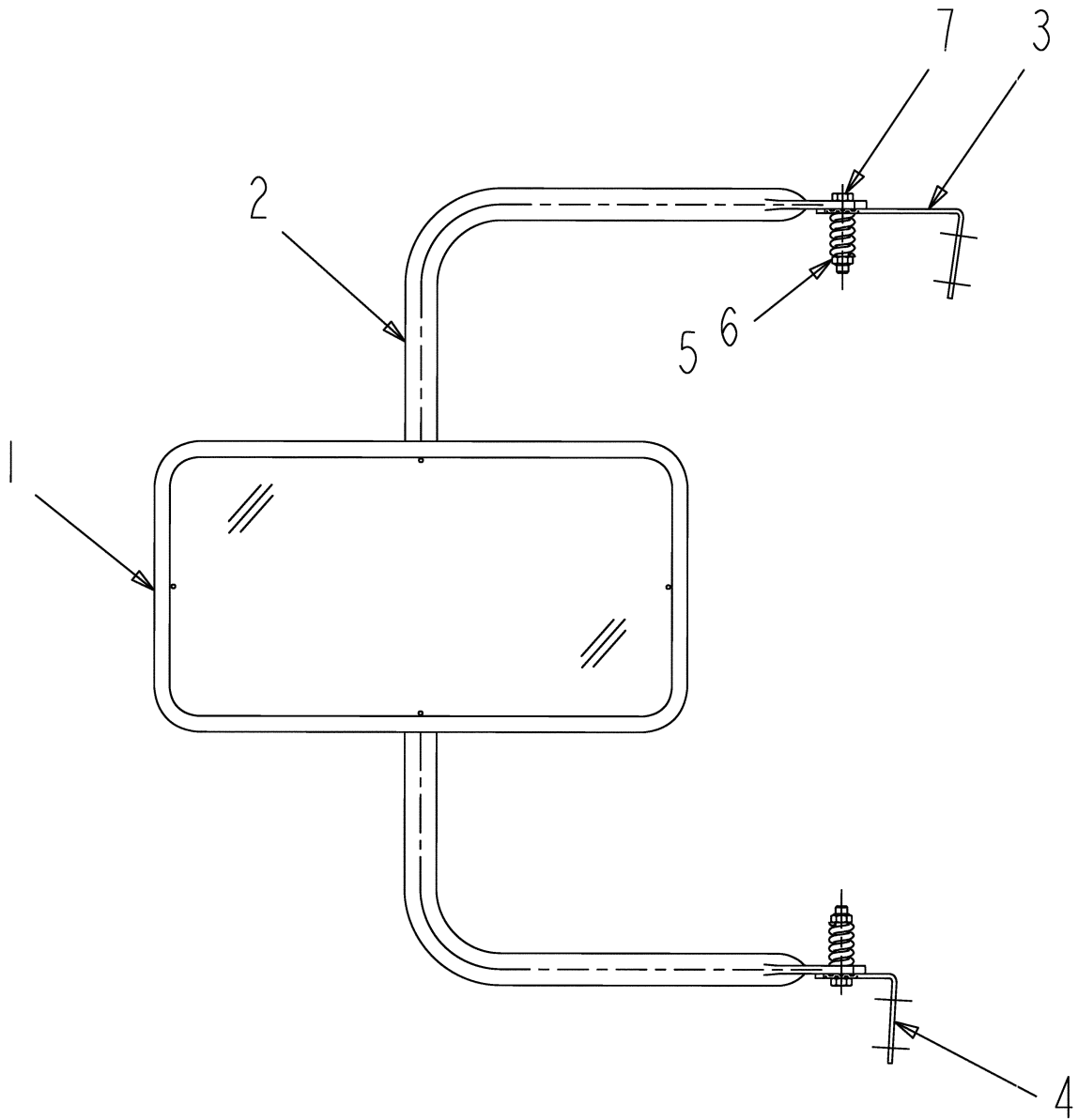


134306-A.TIF

MIRROR ASM-LH/RH,RG

ITEM	PART #	QTY	DESCRIPTION	COMMENTS
1	AG134299	1	MIRROR ASM-LH,RG	SEE PAGE 7-30
2	AG134300	1	MIRROR ASM-RH,RG	SEE PAGE 7-31

MIRROR ASM-LH,RG

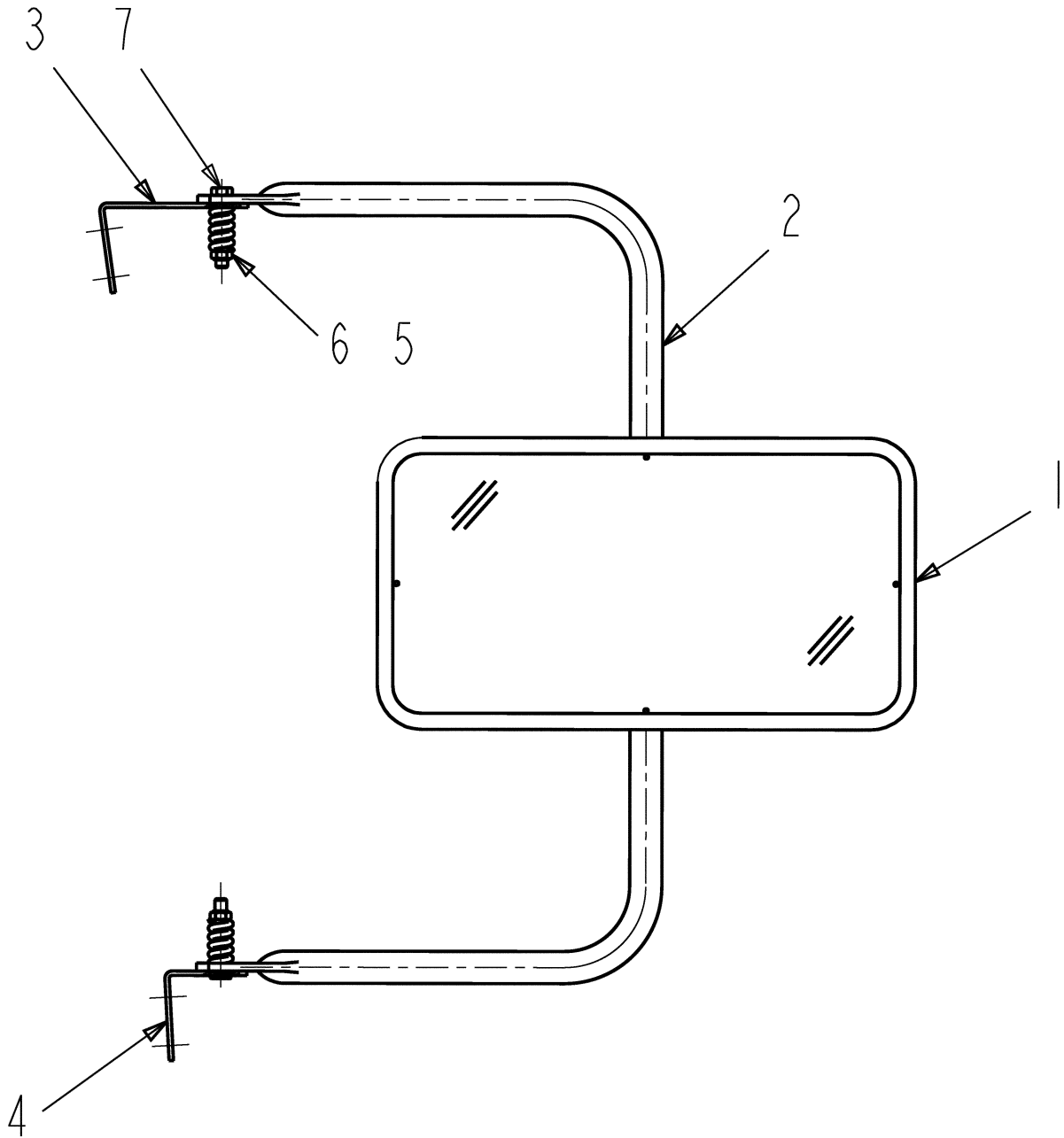


134299.TIF

MIRROR ASM-LH,RG

ITEM	PART #	QTY	DESCRIPTION	COMMENTS
1	AG134301	1	MHA-BLACK PLASTIC,#510,1.00	
2	AG134302	1	LOOP-SST,23.59X13.19,BLK	
3	AG134303	1	BRKT-MTG,SST,82,BLK,COINED	
4	AG134304	1	BRKT-MTG,SST,82,BLK,COINED	
5	AG134305	2	SPRING-COMP,SST,1.35X.38ID	
6	AG515140	2	NUT 0.37-16NC HEX SS HVY NY	
7	AG522969	2	BOLT-.38-16X2.25,SS,HHD	

MIRROR ASM-RH,RG

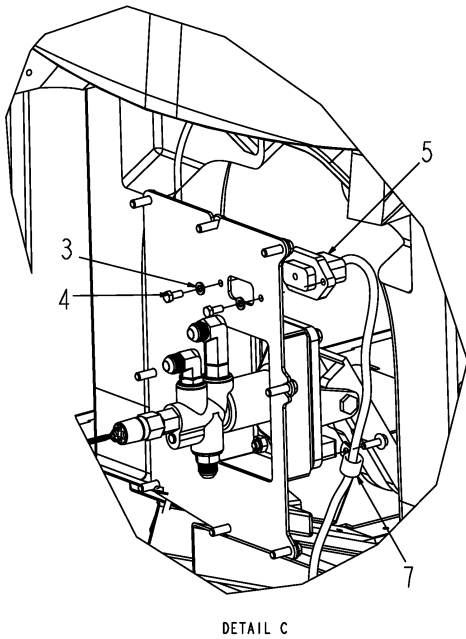
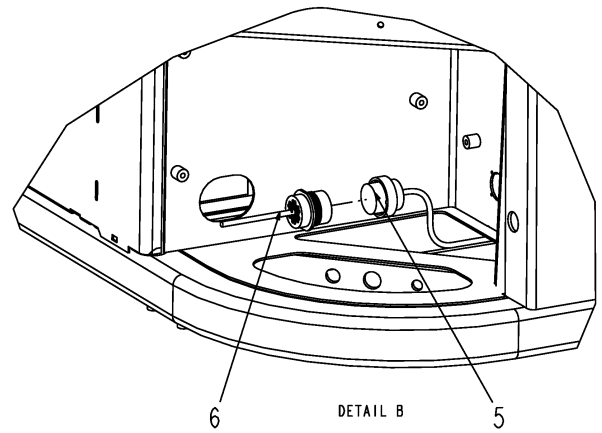
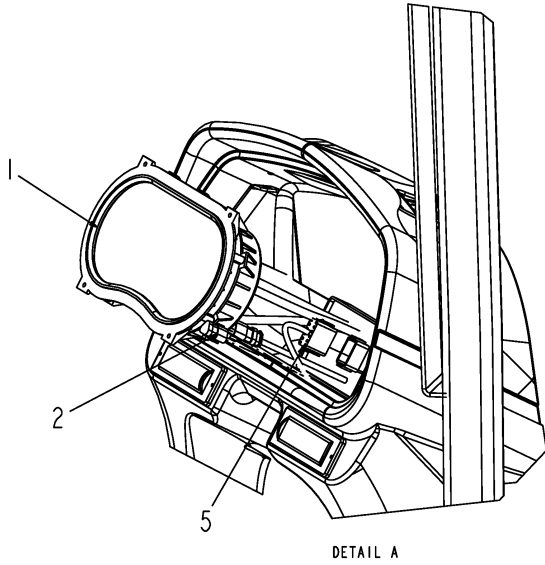


134300-A.TIF

MIRROR ASM-RH,RG

ITEM	PART #	QTY	DESCRIPTION	COMMENTS
1	AG134301	1	MHA-BLACK PLASTIC,#510,1.00	
2	AG134302	1	LOOP-SST,23.59X13.19,BLK	
3	AG134303	1	BRKT-MTG,SST,82,BLK,COINED	
4	AG134304	1	BRKT-MTG,SST,82,BLK,COINED	
5	AG134305	2	SPRING-COMP,SST,1.35X.38ID	
6	AG515140	2	NUT 0.37-16NC HEX SS HVY NY	
7	AG522969	2	BOLT-.38-16X2.25,SS,HHD	

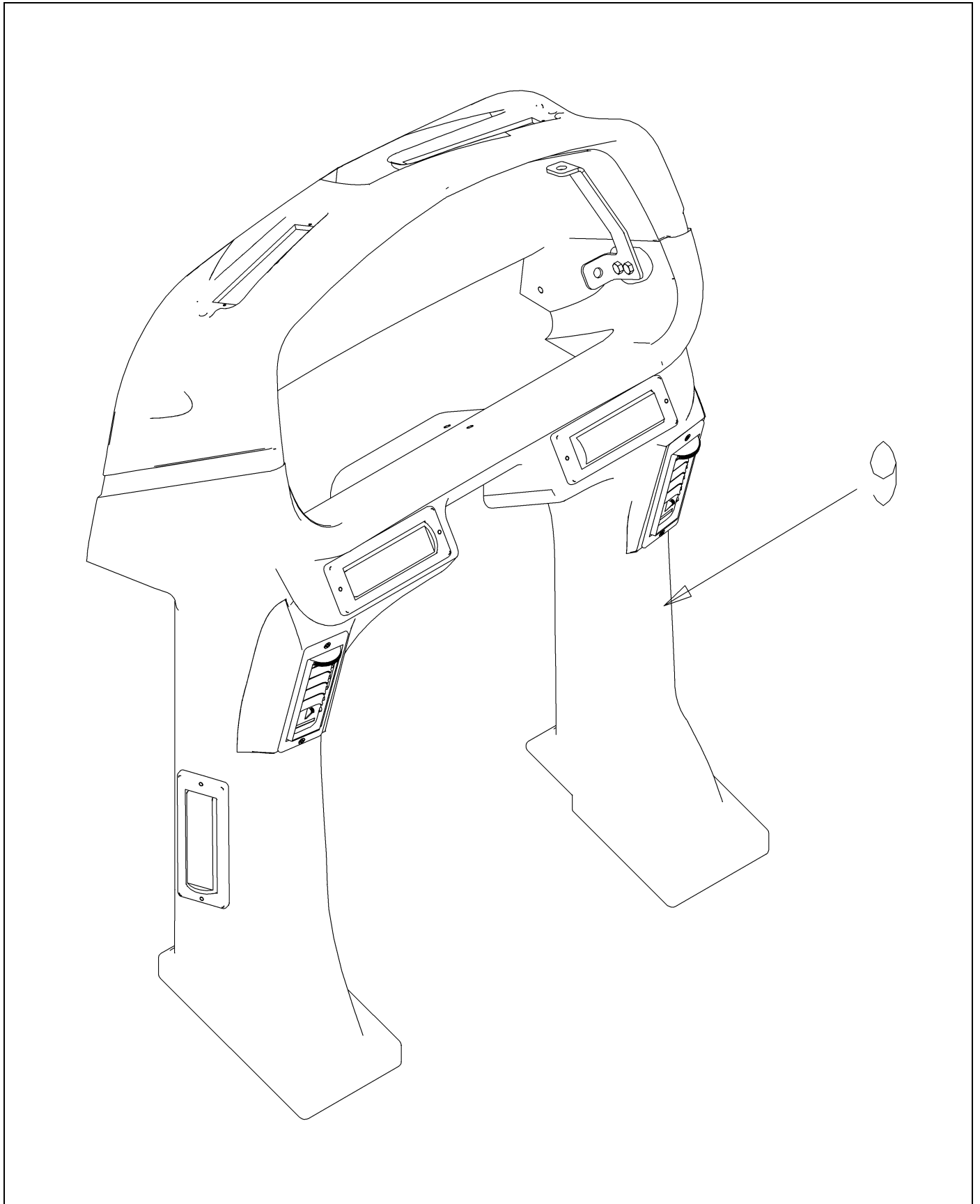
HARN INSTL-CENTER CONSOLE, RG



504378D1-03-N547-02.TIF

HARN INSTL-CENTER CONSOLE, RG

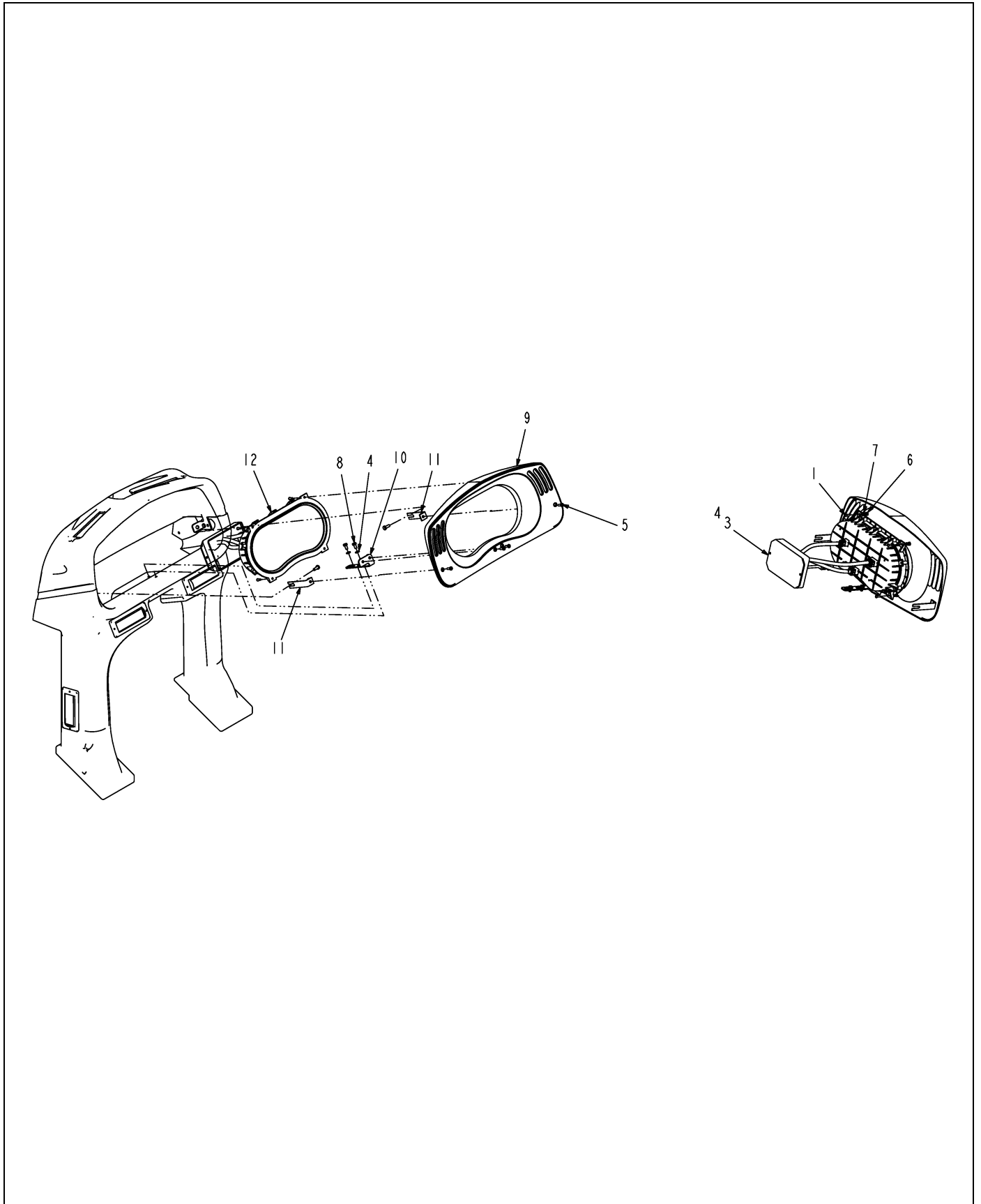
ITEM	PART #	QTY	DESCRIPTION	COMMENTS
1	AG136217	-	DASH INSTL-CENTER CONSOLE	SEE PAGE 7-36
2	AG522410	1	TERMINATOR-PLUG,3WAY,J1939	
3	AG550493	2	WASHER 0.25 LK ZN REG	
4	AG562639	2	BOLT M6 1.00X12MM G8.8 ZN HHD	
5	504002D1	1	HARNES-CENTER CONSOLE, 1274C	
6	512665D1	-	HARNES-ADAPTER, 1274C	
7	AG562237	1	CLAMP CTD 0.75IDX0.75WIDE	



515252D1-02-R175-04.TIF

CAB ASM-RG1286/SS

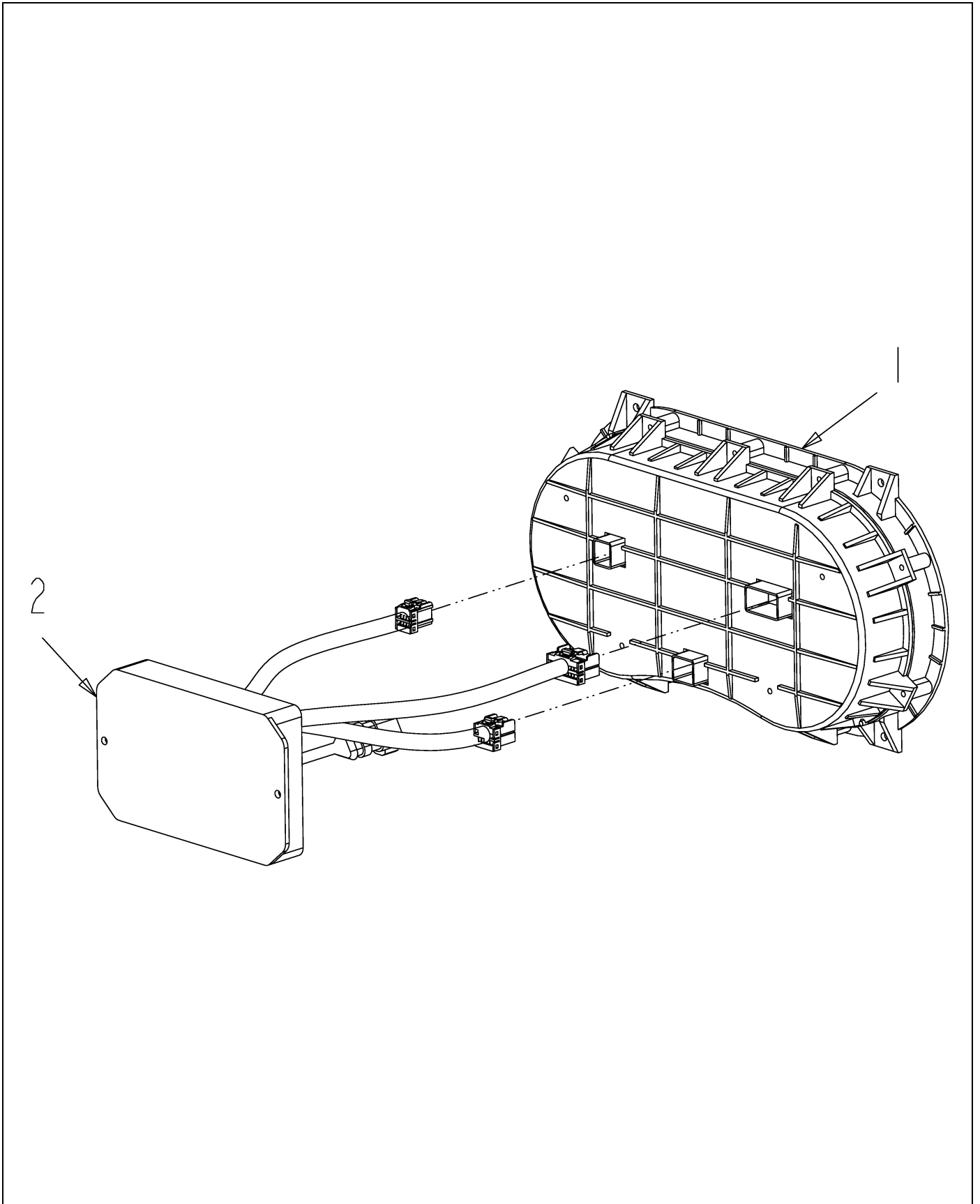
ITEM	PART #	QTY	DESCRIPTION	COMMENTS
1	515253D1	1	HARNES-ROOF,MAIN	
2	AG132631	1	HARNES-ROOF,INNER,REAR	
3	515254D1	1	HARNES-ROOF,INNER,FRONT	
4	AG425041	1	SOLENOID INSTL-HORN,AIR	SEE PAGE 6-19
5	AG523347	1	FILTER-AIR,NEW CAB,RECIRC	
6	AG523348	1	FILTER-AIR,NEW CAB,VAPOR/DUST	
7	513965D1	1	ANTENNA-RADIO	
8	505828D1	1	INNER ROOF	
9	508989D1	1	CONSOLE-FRONT,CRENLO 129198	
10	516507D1	1	DOOR ASM-LH	



516966D1-01-N881-.TIF

DASH INSTL-CENTER CONS,1286C

ITEM	PART #	QTY	DESCRIPTION	COMMENTS
1	AG029233	4	SCREW MACH RDHD SL ZN 8-32X.50	
2	AG515927	-	FASTNR VELCRO HOOK BLK 1X25YDS [BULK: 8 FT]	
3	AG515928	-	FASTNR VELCRO LOOP BLK 1X25YDS [BULK: 8 FT]	
4	AG520879	2	WASHER-FLAT,M6,ZN,REG	
5	AG523508	4	SCR-M5-0.8X16,CL10.9,BLK,BHHS	
6	AG550922	4	NUT #8-32NC HEX ZN REG	
7	AG562066	4	WASHER #8 LK SS REG	
8	AG562639	2	BOLT M6 1.00X12MM G8.8 ZN HDD	
9	505810D1	1	PANEL-GAGE SURROUND	
10	505835D2	1	BRKT WLDMT-MTG,CTR,PNL,DASH	
11	505837D1	2	BRKT WLDMT-MTG,PNL,DASH	
12	516435D1	1	ASM-DASH CLUSTER,1286C	SEE PAGE 7-35

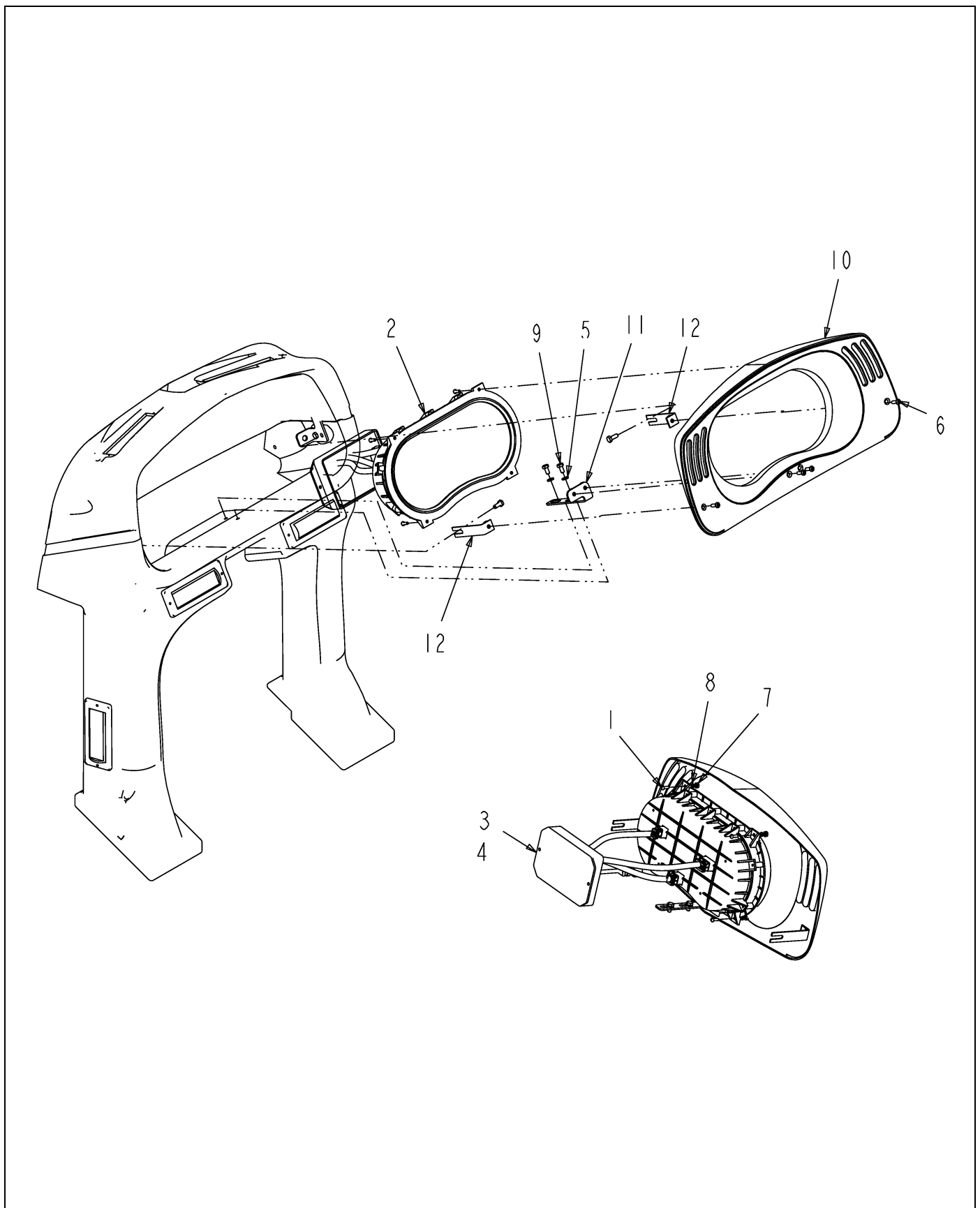


516435D1-01-N881-.TIF

ASM-DASH CLUSTER,1286C

ITEM	PART #	QTY	DESCRIPTION	COMMENTS
1	AG131482	1	INSTRUMENT CLUSTER-WHITE	
2	516429D1	1	DRIVER-GAUGE,CAN,PRICOL,1286C	

DASH INSTL-CENTER CONSOLE

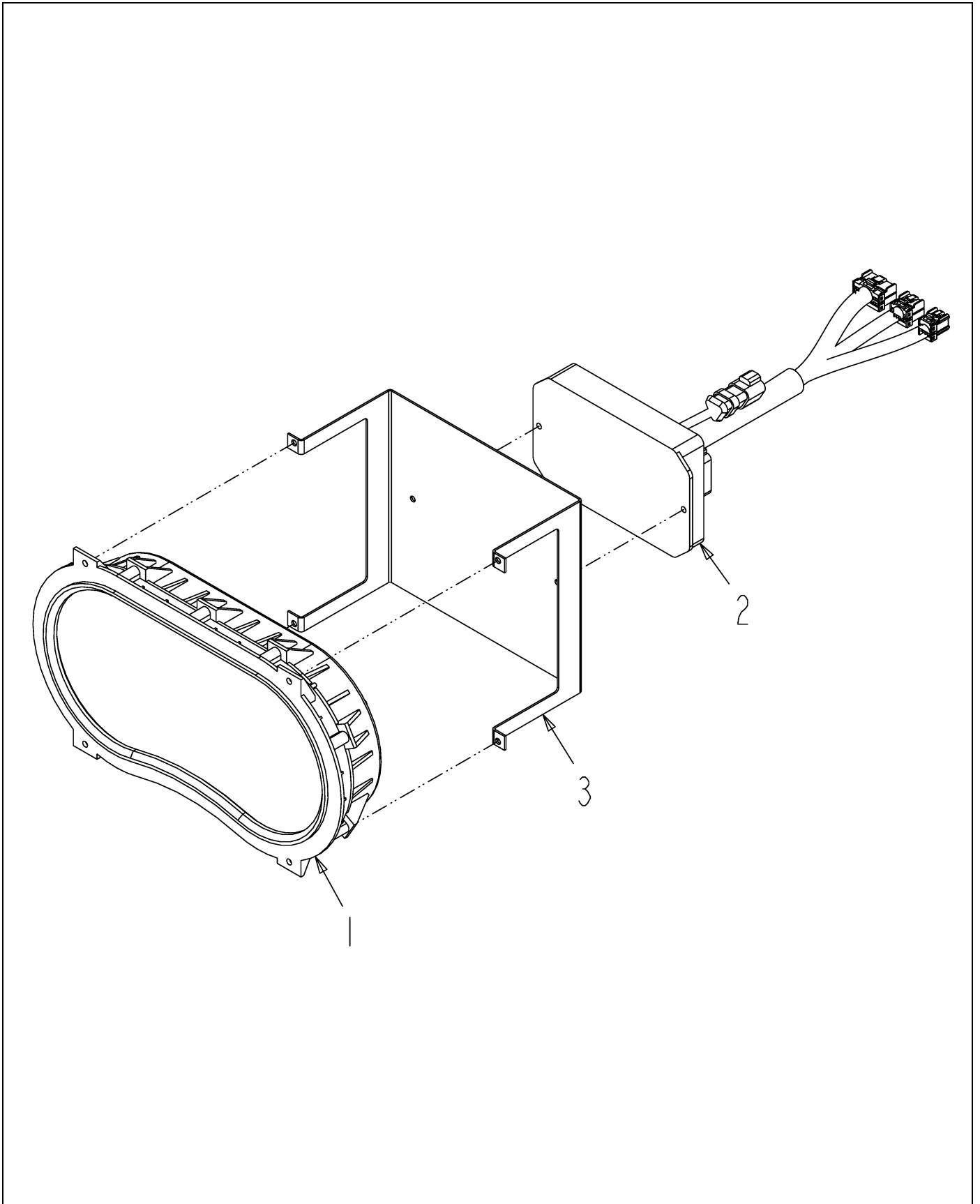


136217-04-N361-.TIF

DASH INSTL-CENTER CONSOLE

ITEM	PART #	QTY	DESCRIPTION	COMMENTS
1	AG029233	4	SCREW MACH RDHD SL ZN 8-32X.50	
2	AG135412	1	ASM-DASH CLUSTER	SEE PAGE 7-37
3	AG515927	-	FASTNR VELCRO HOOK BLK 1X25YDS [BULK: 8 FT]	
4	AG515928	-	FASTNR VELCRO LOOP BLK 1X25YDS [BULK: 8 FT]	
5	AG520879	2	WASHER-FLAT,M6,ZN,REG	
6	AG523508	4	SCR-M5-0.8X16,CL10.9,BLK,BHHS	
7	AG550922	4	NUT #8-32NC HEX ZN REG	
8	AG562066	4	WASHER #8 LK SS REG	
9	AG562639	2	BOLT M6 1.00X12MM G8.8 ZN HHD	
10	505810D1	1	PANEL-GAGE SURROUND	
11	505835D2	1	BRKT WLDMT-MTG,CTR,PNL,DASH	
12	505837D1	2	BRKT WLDMT-MTG,PNL,DASH	

ASM-DASH CLUSTER

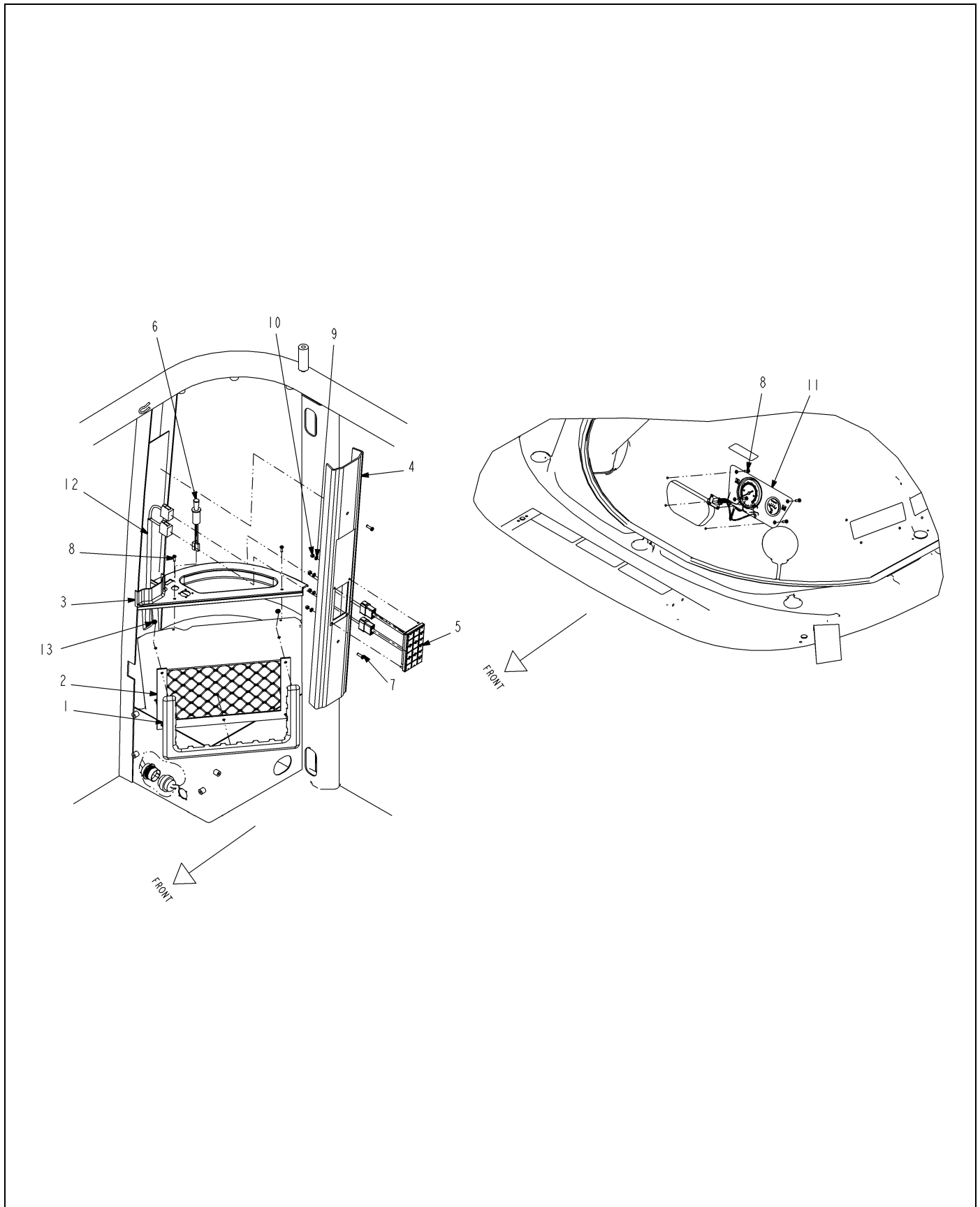


135412-A-M401.TIF

ASM-DASH CLUSTER

ITEM	PART #	QTY	DESCRIPTION	COMMENTS
1	AG131482	1	INSTRUMENT CLUSTER-WHITE	
2	AG132671	1	DRIVER-GAUGE,CAN,PRICOL	
3	NS	1	NON-SERVICEABLE PART	

PANEL INSTL-TRIM,LIQ

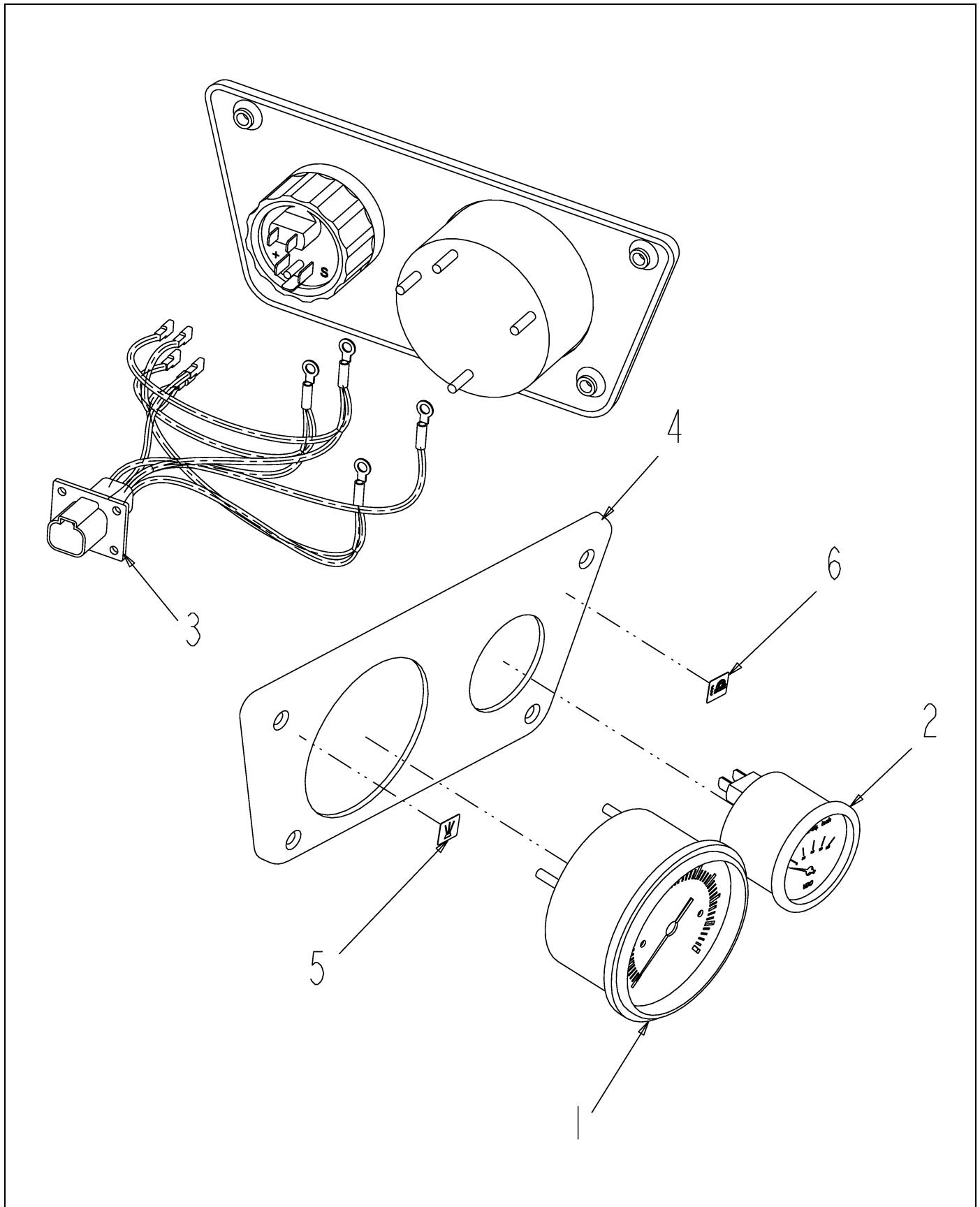


505126D1-04-R266-.TIF

PANEL INSTL-TRIM,LIQ

ITEM	PART #	QTY	DESCRIPTION	COMMENTS
1	180-2825	1	RETAINER (CARGO NET)	
1	AG136213	1	PANEL INSTL-TRIM,LIQ	SEE PAGE 9-4
2	184-1704	1	HOLDER-NET	
3	AG134573	1	COVER-CORNER,RH	
4	AG136000	1	TRIM-B POST,RH,W/KEYBOARD	
5	AG136294	1	KEYPAD-RUBBER,LIQ SYSTEM	
6	AG520848	1	LIGHTER ASM-CIGAR	SEE PAGE 7-41
7	AG521730	2	SCR-M6-1.0X20,CL10.9,BLK,BHHS	
8	AG523508	6	SCR-M5-0.8X16,CL10.9,BLK,BHHS	
9	AG562196	4	WASHER #8 FL ZN SAE TYPE-A	
10	AG563175	4	NUT #4-40NC HEX SS REG NY	
11	506247D1	1	PANEL ASM-GAUGE,LIQ,RG	SEE PAGE 7-51
12	518844D1	5	HARNES-KEYPAD,RG	
13	CH5V-1496	5	RETAINER-6.4 DIA STUD 13.5 OD	

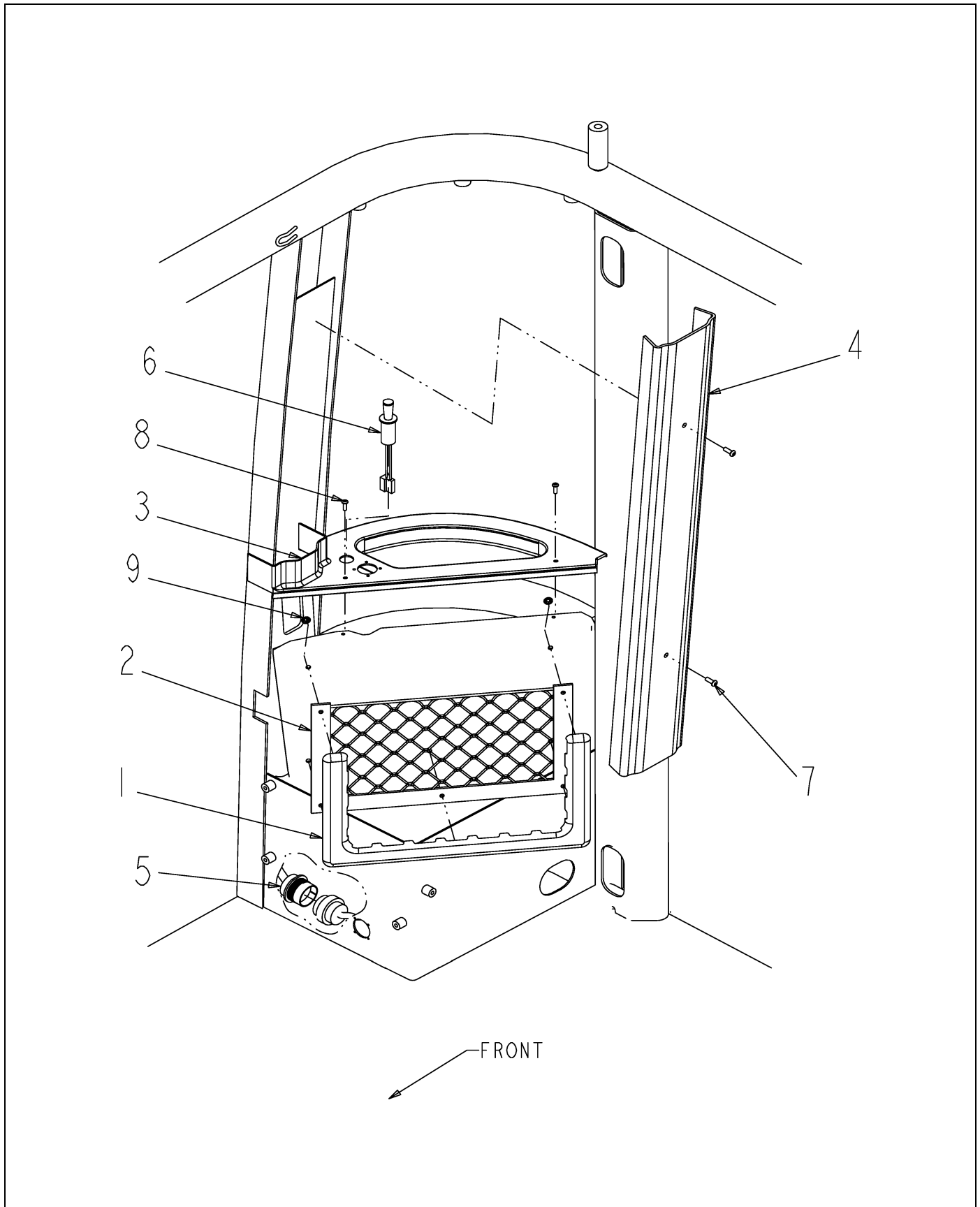
PANEL ASM-GAUGE,LIQ,TG



509014D1-01-N222.TIF

PANEL ASM-GAUGE,LIQ,TG

ITEM	PART #	QTY	DESCRIPTION	COMMENTS
1	AG520671	1	GAUGE-PRESSURE,0-100	
2	AG521016	1	GAUGE-PRESS, 0-150PSI	
3	503645D1	1	HARNESS-GAUGE,PRESSURE	
4	505811D1	1	PANEL-PRESSURE GAGE SURROUND	
5	505829D1	1	DECAL-PRESSURE	
6	505830D1	1	DECAL-PUMP	

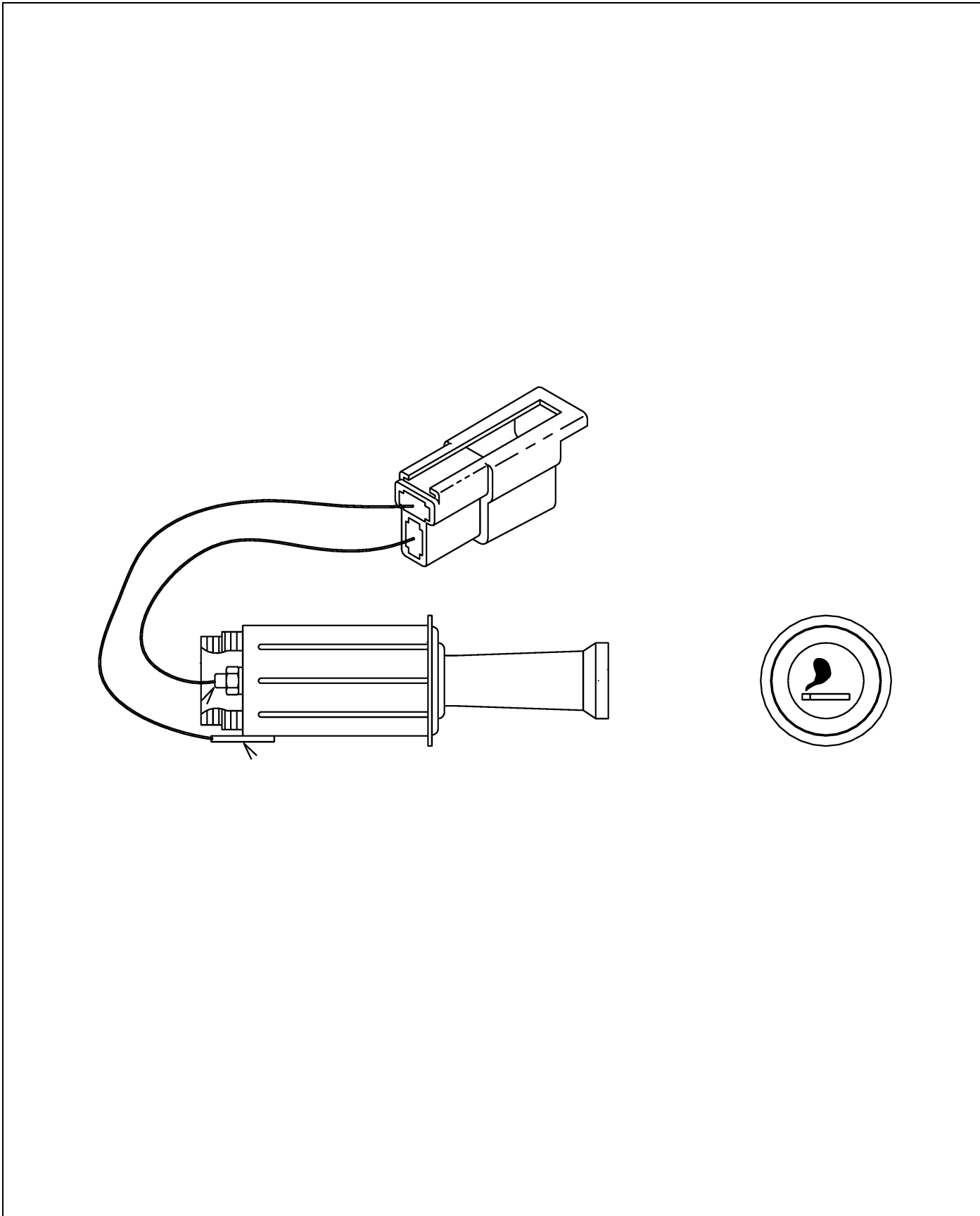


136211-02-M621-.TIF

PANEL INSTL-TRIM,NL

ITEM	PART #	QTY	DESCRIPTION	COMMENTS
1	180-2825	1	RETAINER (CARGO NET)	
2	184-1704	1	HOLDER-NET	
3	AG134573	1	COVER-CORNER,RH	
4	AG135396	1	TRIM-B POST,RH	
5	AG136306	1	HARNES-JUMPER,NL	
6	AG520848	1	LIGHTER ASM-CIGAR	SEE PAGE 7-41
7	AG520911	2	SCR-M6-1.0X16,CL10.9,BLK,BHHS	
8	AG523508	6	SCR-M5-0.8X16,CL10.9,BLK,BHHS	
9	CH5V-1496	5	RETAINER-6.4 DIA STUD 13.5 OD	

LIGHTER ASM-CIGAR

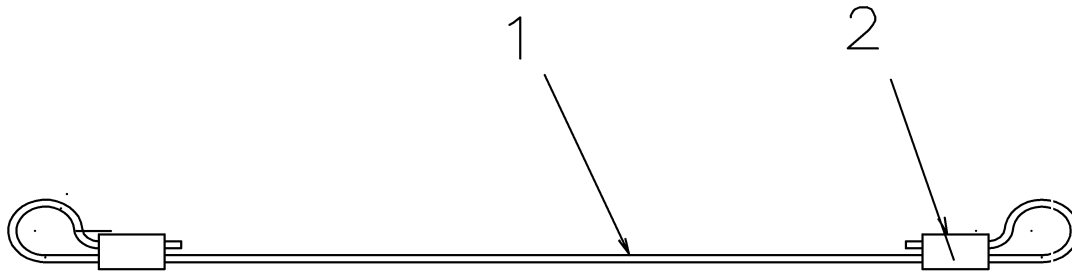


520848-C.TIF

LIGHTER ASM-CIGAR

ITEM	PART #	QTY	DESCRIPTION	COMMENTS
1	AG610513	1	LIGHTER-CIGAR (520848)	
2	AG610514	1	HARNESS-ADAPTER (520848)	

CABLE ASM

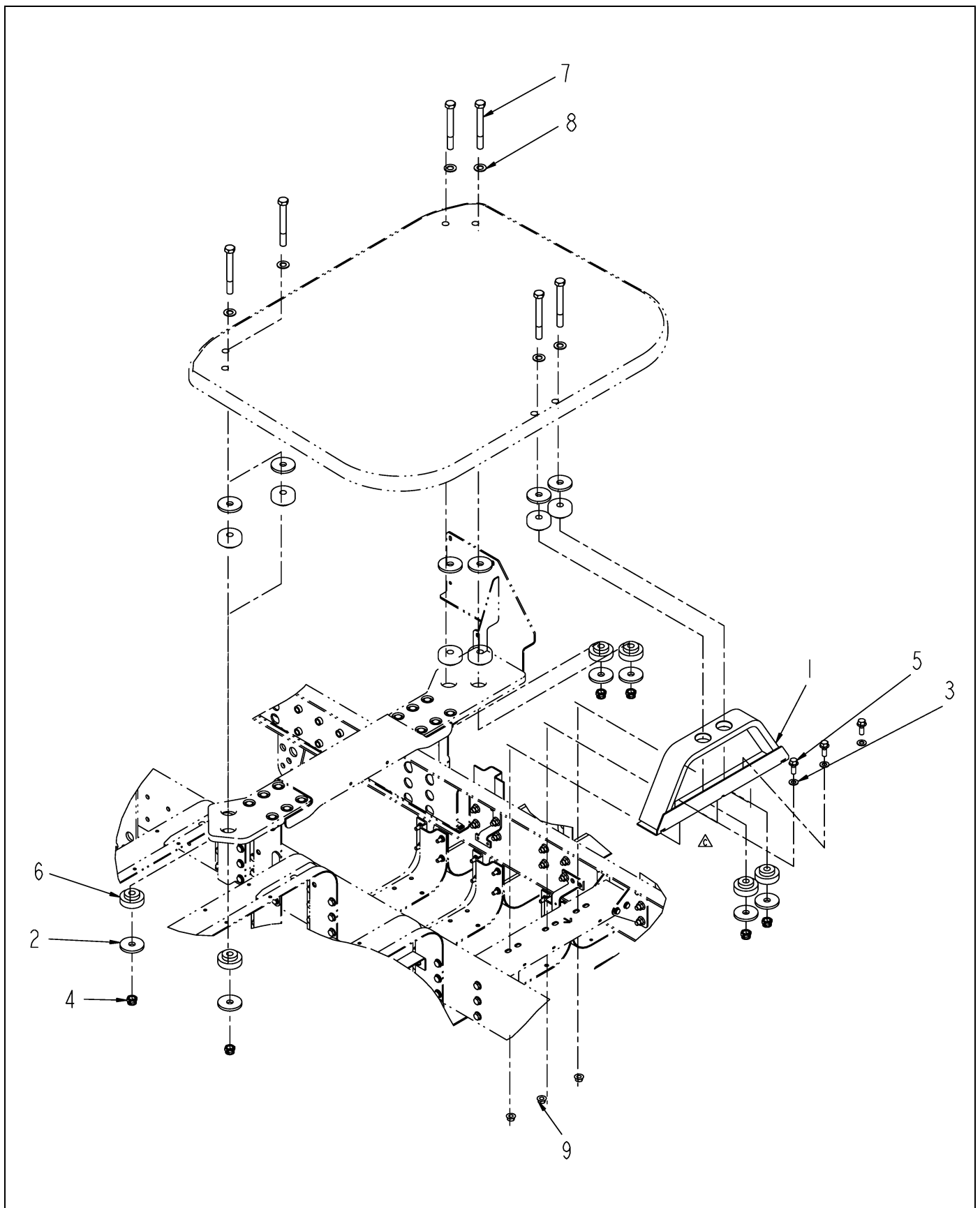


217181-B.TIF

CABLE ASM

ITEM	PART #	QTY	DESCRIPTION	COMMENTS
1	AG107437	1	CABLE NYLON COATED	
2	AG515981	2	COMPRESSION SLEEVE	

STD ISOLATOR CAB MOUNTING

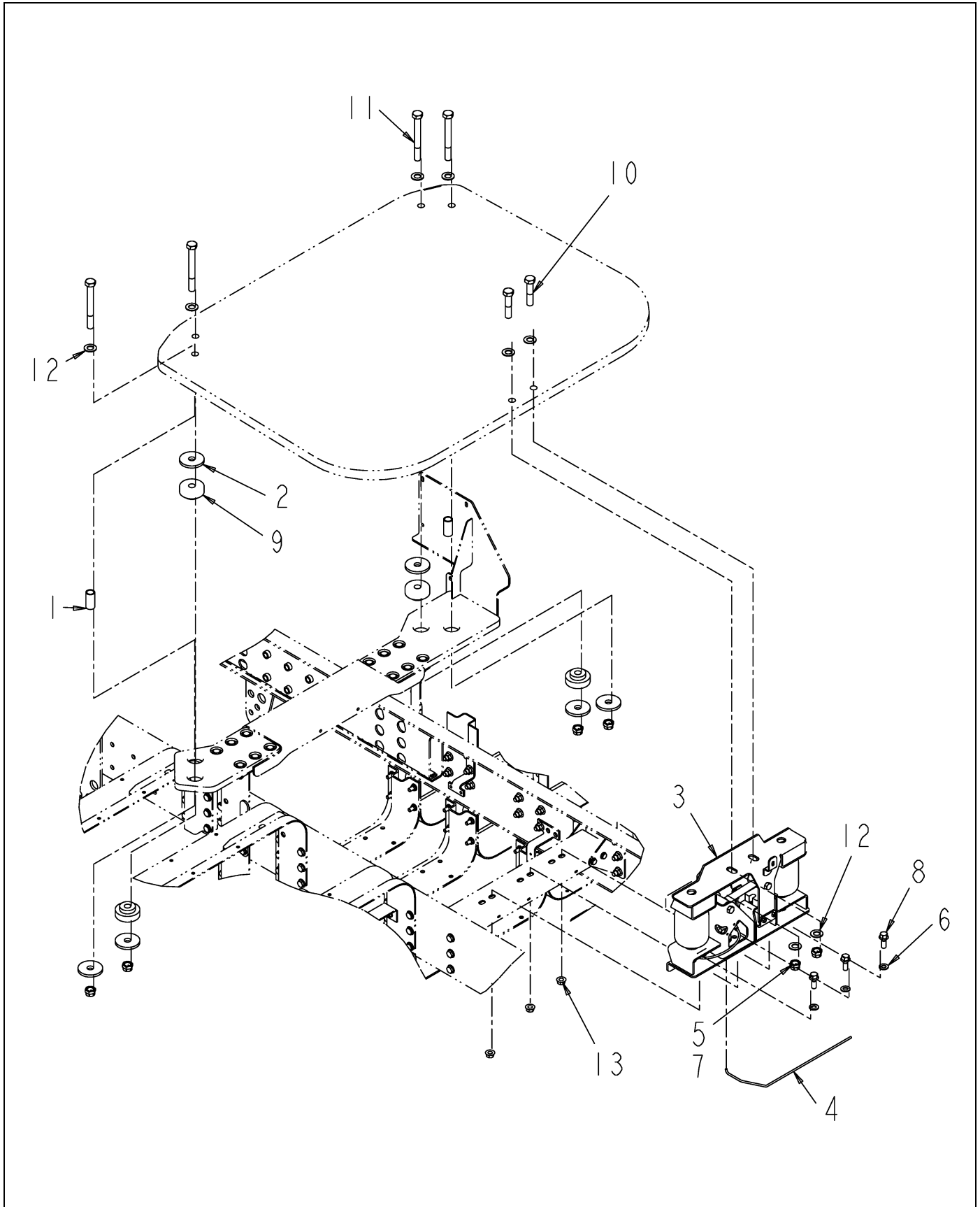


130060-05-N714-.TIF

STD ISOLATOR CAB MOUNTING

ITEM	PART #	QTY	DESCRIPTION	COMMENTS
1	AG130122	1	MT MLDMT-CAB,REAR	
2	AG236575	12	SLUG-ISOLATOR,CAB MT	
3	AG515180	3	WASHER 0.62 FL ZN SAE TYP-A G8	
4	AG516176	6	NUT 0.87-9NC HVY HX FLEX LK PL	
5	AG517556	3	BOLT 0.62-18 X 1.75 G8 HX FLG	
6	AG520640	12	ISOLATOR-SHOCK	
7	AG561699	6	BOLT 0.87- 9NCX 7.50 G8 ZN HHD	
8	AG606258	6	WASHER 1.75ODX0.93ID G8 ZN	
9	AG609313	3	NUT HX FLG 0.62-18NF	

AIR RIDE CAB MOUNT

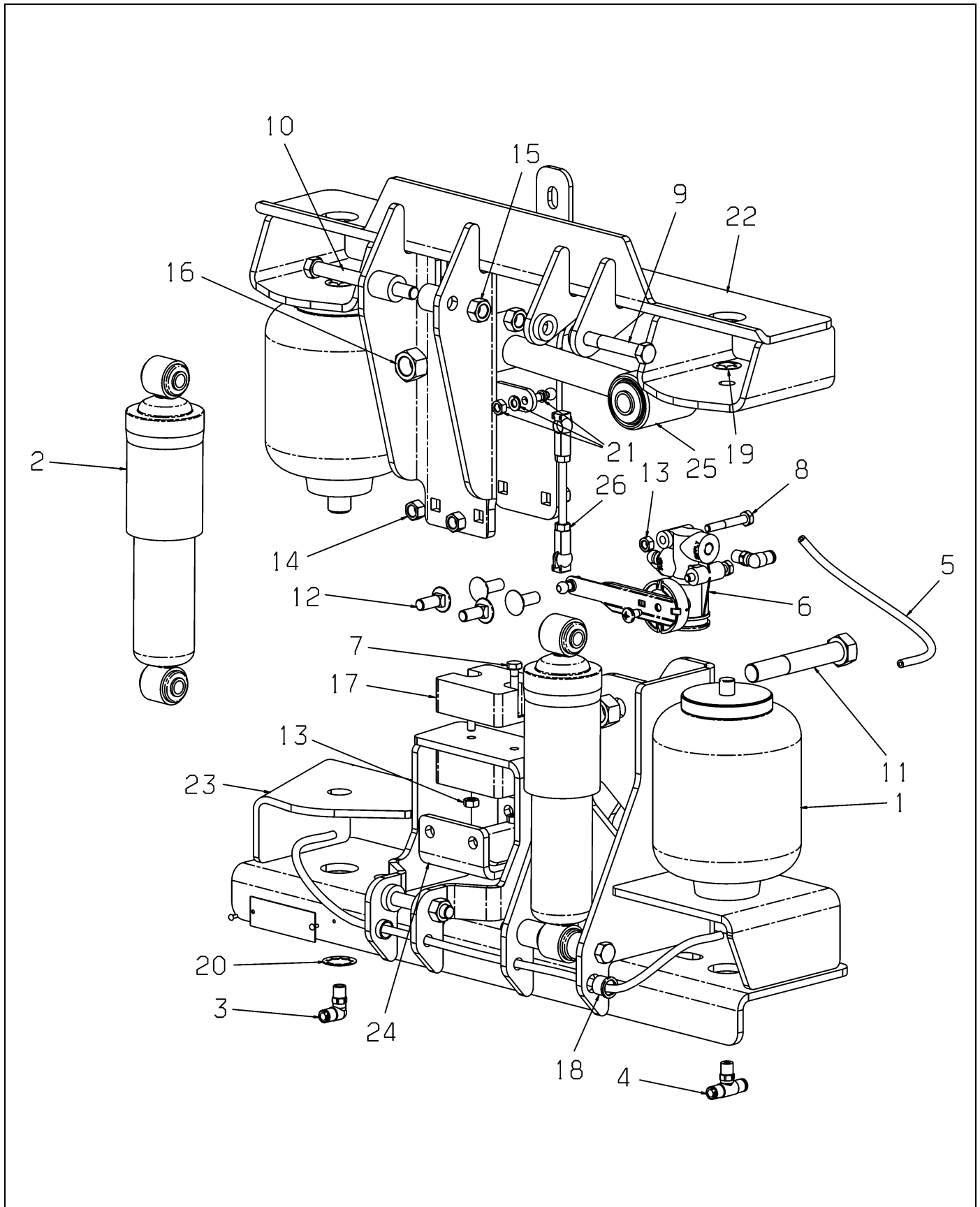


130061-09-N740-.TIF

AIR RIDE CAB MOUNT

ITEM	PART #	QTY	DESCRIPTION	COMMENTS
1	AG126414	2	TUBE-SPACER	
2	AG236575	6	SLUG-ISOLATOR,CAB MT	
3	AG504398	1	SUSPENSION-CAB,NON ADJUSTABLE	SEE PAGE 7-45
4	AG511021	-	TUBING 0.25 OD NYLON BLACK [BULK: 2 FT]	
5	AG512885	AR	LOCTITE ADHESIVE SEALANT BLUE	
6	AG515180	3	WASHER 0.62 FL ZN SAE TYP-A G8	
7	AG516176	6	NUT 0.87-9NC HVY HX FLEX LK PL	
8	AG517556	3	BOLT 0.62-18 X 1.75 G8 HX FLG	
9	AG520640	4	ISOLATOR-SHOCK	
10	AG521357	2	BOLT-.88-9X4.00,G8,ZN,HHD	
11	AG561699	4	BOLT 0.87- 9NCX 7.50 G8 ZN HHD	
12	AG606258	8	WASHER 1.75ODX0.93ID G8 ZN	
13	AG609313	3	NUT HX FLG 0.62-18NF	

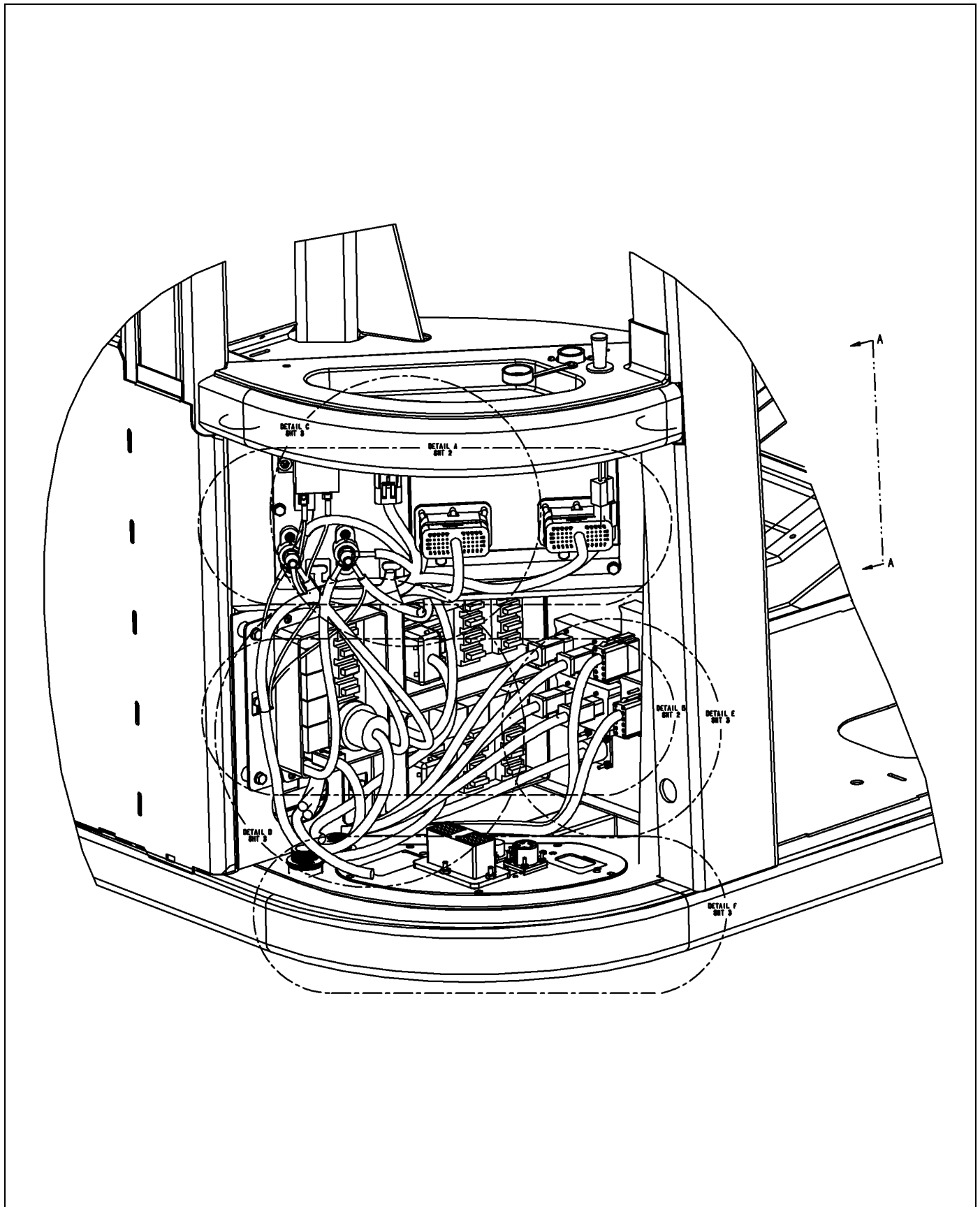
SUSPENSION-CAB, NON ADJUSTABLE



504398.TIF

SUSPENSION-CAB, NON ADJUSTABLE

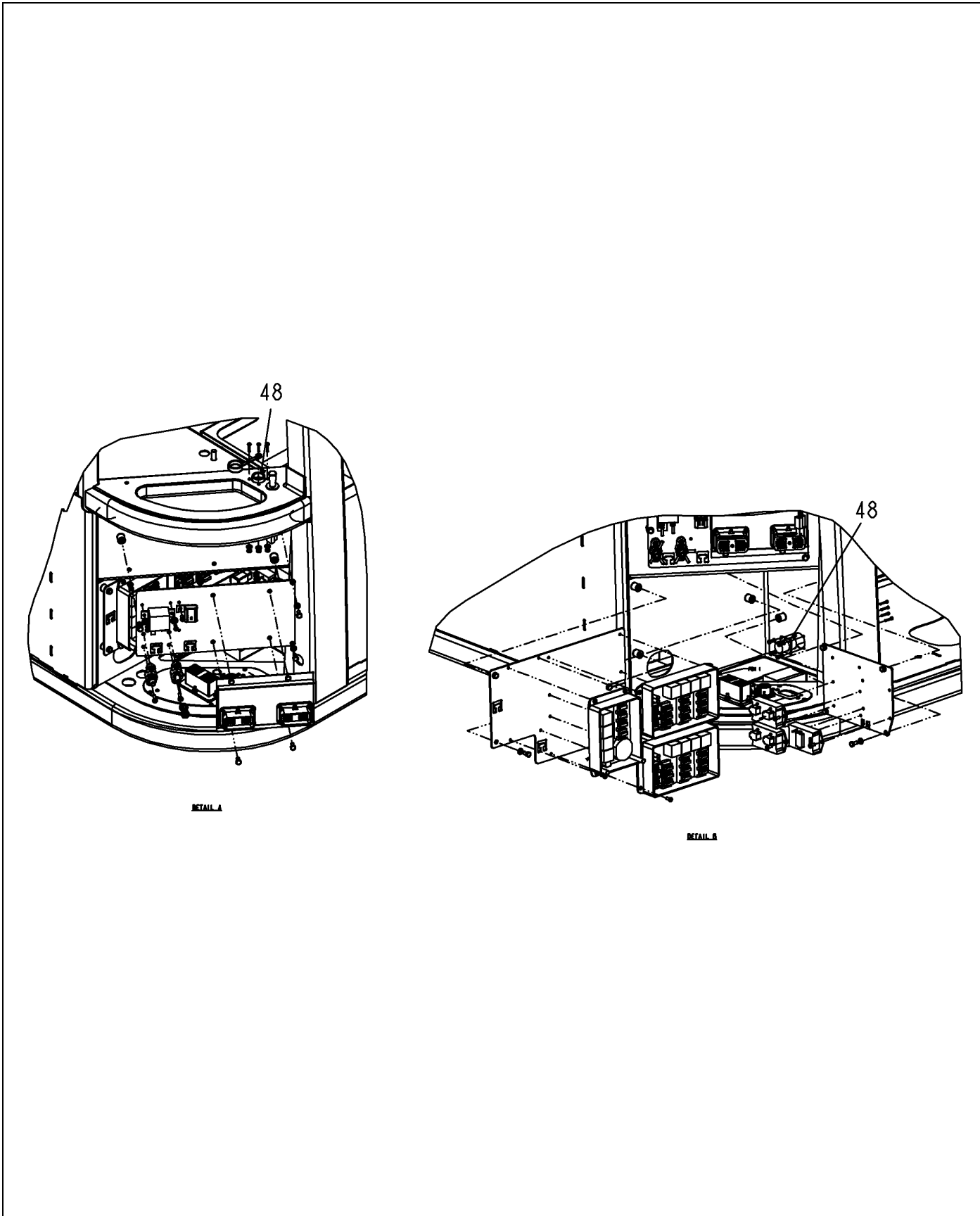
ITEM	PART #	QTY	DESCRIPTION	COMMENTS
1	AG721858	2	SPRING-AIR CAB	[A]
2	AG725626	2	SHOCK ABSORBER	
3	AG721837	3	ELBOW/MUSTANG RG	
4	AG725624	1	BRANCH TEE, 1/4TB, 1/8M-NPT, PI	
5	AG518622	-	TUBING AIRLINE 0.25OD POLTHN [BULK: 2.800 FT]	
6	AG727018	1	VALVE/HEIGHT CONTROL	
7	AG550698	2	BOLT 0.25-20NCX 1.00 G5 ZN HHD	
8	AG561874	2	BOLT 0.25-20NCX 1.75 G5 ZN HHD	
9	AG727021	2	SCREW/CAP HEX	
10	AG727022	2	SCREW/CAP HEX	
12	AG556300	4	BOLT 0.37-16NCX 1.00 G5 ZN CRG	
13	AG558699	4	NUT 0.25-20NC HEX ZN C-LK	
14	AG557676	4	NUT 0.37-16NC HEX ZN C-LK	
15	AG727023	4	NUT/CENTER LOCK	
16	AG727024	2	NUT/CENTER LOCK	
17	AG721855	2	BUMPER	
18	AG727025	2	VALVE/HEIGHT CONTROL	
19	AG726999	2	RING/RETAINING	
20	AG727004	2	RING/RETAINING	
21	AG721854	2	KIT-PIVOT BALL	
22	AG727003	1	BRACKET/CAB MOUNT	
23	AG727002	1	BRACKET/FRAME MOUNT	
24	AG727001	1	PLATE/BUMPER CONTACT	
25	AG727000	1	ROD/CONTROL LATERAL	
26	AG721853	1	LINKAGE-VALVE 4.50	
	FOOTNOTE [A]		AG722592 - AIR FITTING	



515256D1-02-R158-01.TIF

HARNESS INSTL-CAB, RG1286/SS

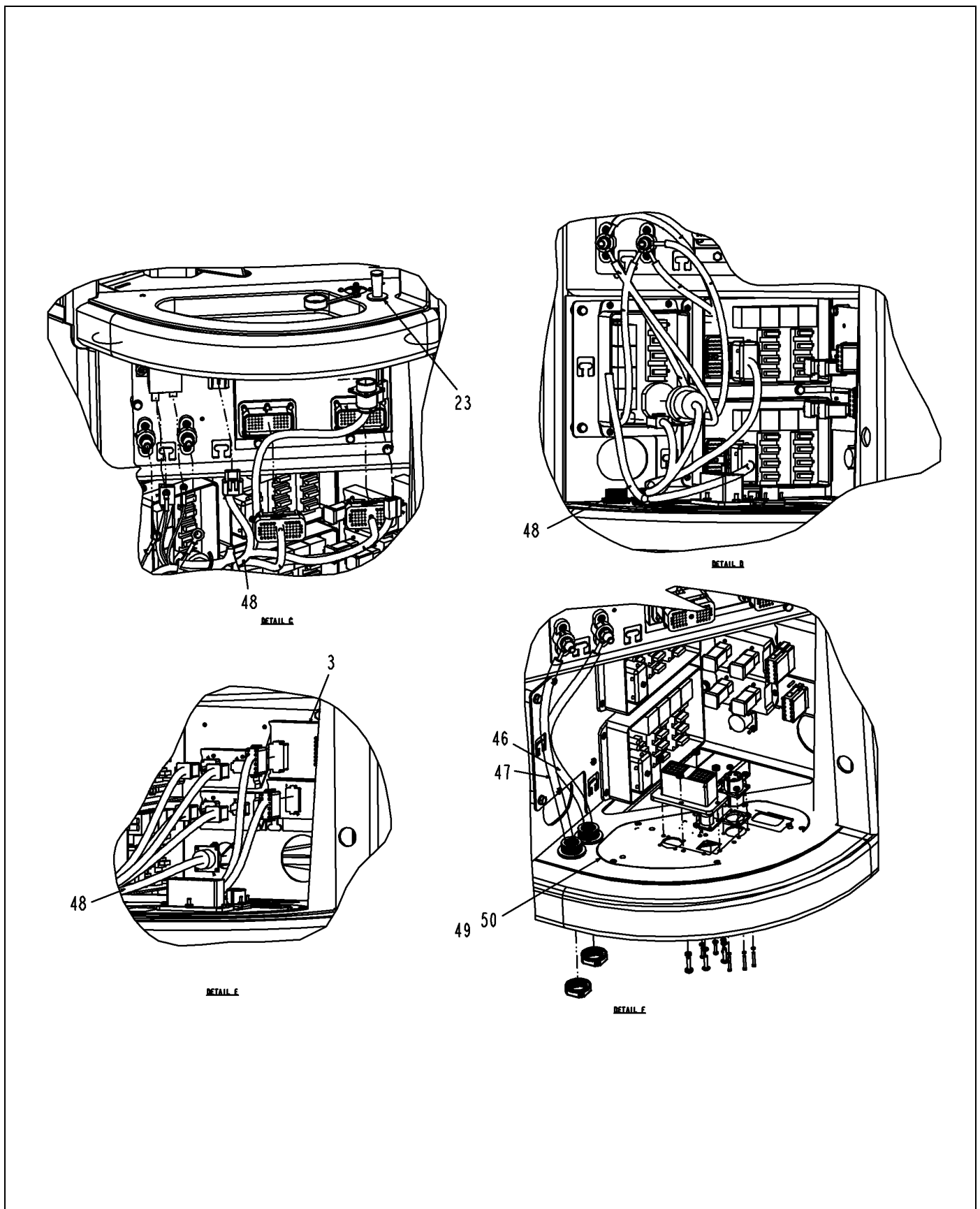
ITEM	PART #	QTY	DESCRIPTION	COMMENTS
	FOOTNOTE		ASSEMBLY DETAIL IMAGE, SEE RELATED PAGES FOR FURTHER BREAKDOWNS	



515256D1-02-R158-02.TIF

HARNESS INSTL-CAB, RG1286/SS

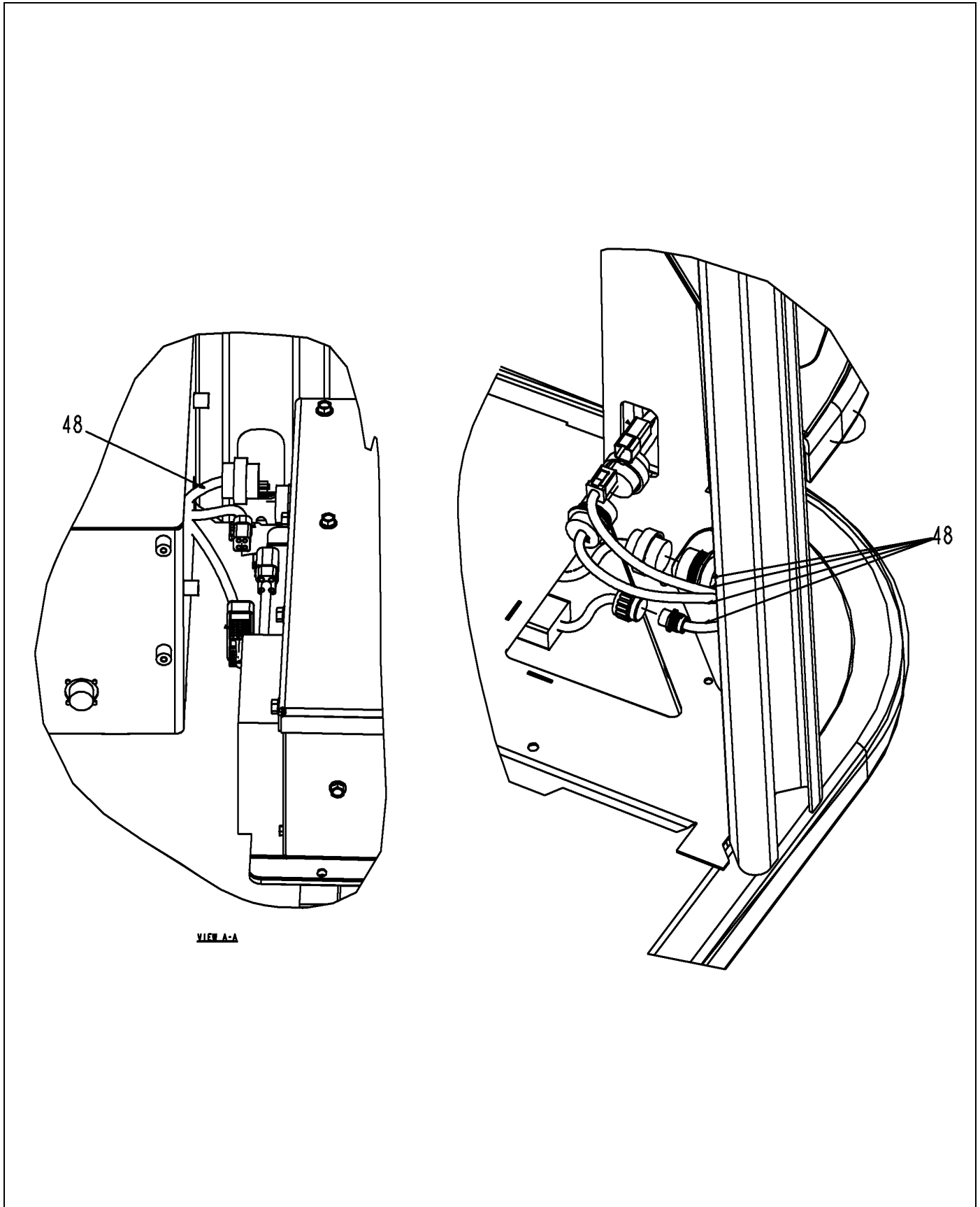
ITEM	PART #	QTY	DESCRIPTION	COMMENTS
1	AG029293	21	SCREW 10-24X0.50 TAP IWHTD	
2	515100D1	1	INSTL-MASTER MODULE,AED	
4	AG121749	1	MODULE-RELAY,4 PACK,NO	
5	AG121750	2	MODULE-RELAY,2 PACK	
6	AG124451	2	MODULE-POWER DIST,11 FUSE	SEE PAGE 9-7
7	AG124452	1	MODULE-POWER DIST,HI CURRENT	SEE PAGE 9-8
8	AG134570	1	PLATE-MTG, TOP	
9	AG134571	1	PLATE-MTG, FRONT	
10	AG134572	1	PLATE-MTG, SIDE	
11	AG516864	1	RELAY-ELEC, 12VDC, 75AMP	
12	AG517156	4	SCREW #6-32X.75 MA RDHD SLOTZN	
13	AG517157	4	NUT #6-32NC HEX ZN REG	
14	AG517158	4	WASHER #6 FL ZN REG TYPE-B	
15	AG518673	8	NUT #4-40NC HEX SS REG	
16	AG518674	8	WASHER LOCK #4 REG SS	
17	AG518676	8	SCREW #4-40NCX 0.75 HXSHD SS	
18	AG520052	1	CAP METRI PACK 630 P2S 2-WAY	
19	AG520092	1	JUNCTION BLOCK-STUD TYPE, BLK	
20	AG520093	1	JUNCTION BLOCK-STUD TYPE, RED	
21	AG520140	2	FUSE 1A BLADE ATC	
22	AG520318	1	CAP-SEALING, SIZE 17	
24	AG520962	1	AMPLIFIER-RADAR	
25	AG550914	4	WASHER #8 LK ZN REG	
26	AG550922	4	NUT #8-32NC HEX ZN REG	
27	AG553670	2	WASHER #10 FL ZN REG TYPE-B	
28	AG560227	4	SCREW 8-32X 0.75 MA ZN SL PHD	
29	AG562050	2	WASHER 0.37 LK SS REG	
30	AG562061	4	NUT #10-24NC HEX SS REG	
31	AG562065	2	NUT 0.37-16NC HEX SS REG	
32	AG562081	4	WASHER #10 LK SS REG	
33	AG562639	14	BOLT M6 1.00X12MM G8.8 ZN HHD	
34	AG562792	14	WASHER LOCK M6 SPRING ZN	
35	AG562793	4	NUT HEX M6 X 1.00	
36	AG562928	1	FUSE 25A BLADE ATC	
37	AG562929	1	FUSE 20A BLADE ATC	
38	AG562930	11	FUSE 15A BLADE ATC	
39	AG562931	7	FUSE 10A BLADE ATC	
40	AG562933	4	FUSE 5A BLADE ATC	
41	AG563094	4	SCREW 10-24X0.75 PH PHS SS	
42	AG563174	8	WASHER #4 FL SS NAR TYPE-B	
43	AG563175	4	NUT #4-40NC HEX SS REG NY	
44	AG710181	4	SCREW #4-40 X .50LG PAN HD SS	
45	503607D1	1	GASKET-NEOPRENE, HD10-5	
48	515257D1	1	HARNESS-ADAPTER, RG1286/SS	
	FOOTNOTE [A]		AG719617 - RELAYS (4)	



515256D1-02-R158-03.TIF

HARNESS INSTL-CAB, RG1286/SS

ITEM	PART #	QTY	DESCRIPTION	COMMENTS
3	AG121748	-	MODULE-FLASHER,DUAL RATE	
23	AG520848	-	LIGHTER ASM-CIGAR	SEE PAGE 7-41
46	503609D1	1	CABLE-PWR,STUD/BLKHD	
47	503610D1	1	CABLE-GND,STUD/BLKHD	
48	515257D1	1	HARNESS-ADAPTER, RG1286/SS	
49	504010D1	-	PLATE-BLKHD, RG, 4WS	
50	504361D1	-	PLATE-BLKHD, RG, 2WS	

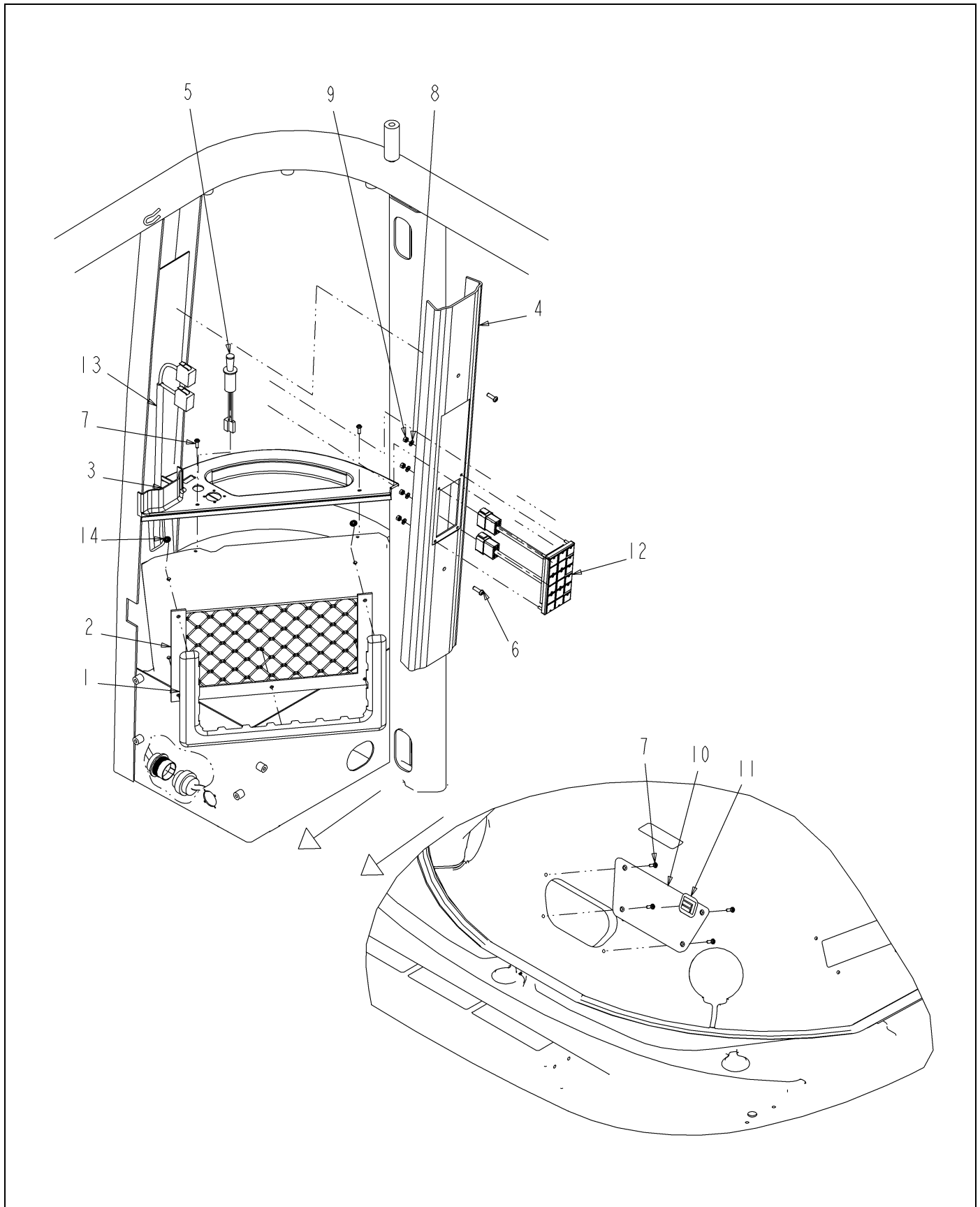


515256D1-02-R158-04.TIF

HARNESS INSTL-CAB, RG1286/SS

ITEM	PART #	QTY	DESCRIPTION	COMMENTS
48	515257D1	1	HARNESS-ADAPTER, RG1286/SS	

PANEL INSTL-TRIM,DRY

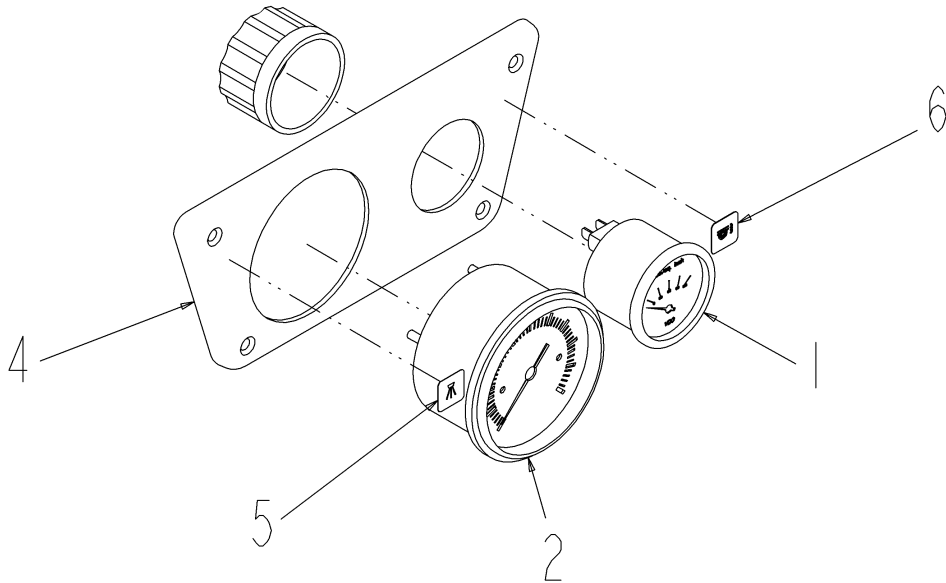
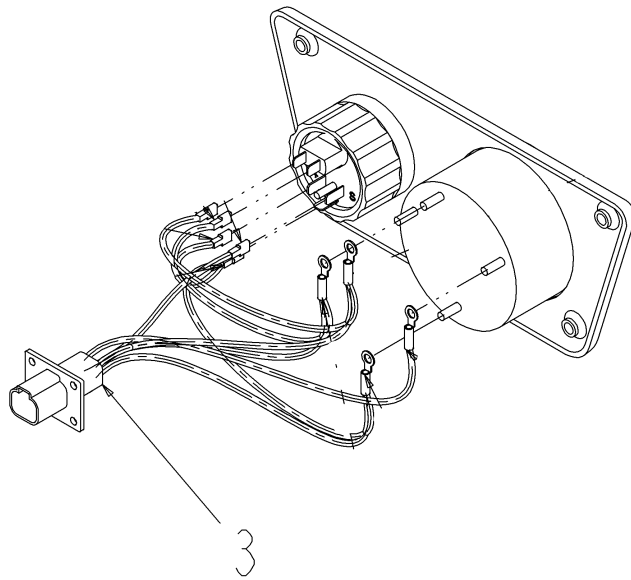


505125D1-04-R266-.TIF

PANEL INSTL-TRIM,DRY

ITEM	PART #	QTY	DESCRIPTION	COMMENTS
1	180-2825	1	RETAINER (CARGO NET)	
2	184-1704	1	HOLDER-NET	
3	AG134573	1	COVER-CORNER,RH	
4	AG136000	1	TRIM-B POST,RH,W/KEYBOARD	
5	AG520848	1	LIGHTER ASM-CIGAR	SEE PAGE 7-41
6	AG521730	2	SCR-M6-1.0X20,CL10.9,BLK,BHHS	
7	AG523508	6	SCR-M5-0.8X16,CL10.9,BLK,BHHS	
8	AG562196	4	WASHER #8 FL ZN SAE TYPE-A	
9	AG563175	4	NUT #4-40NC HEX SS REG NY	
10	505812D1	1	PANEL-ACHCHEM LOGO	
11	505831D1	1	DECAL-LOGO	
12	506181D1	1	KEYPAD-RUBBER,A/M 180	
13	518844D1	1	HARNESS-KEYPAD,RG	
14	CH5V-1496	5	RETAINER-6.4 DIA STUD 13.5 OD	

PANEL ASM-GAUGE,LIQ,RG

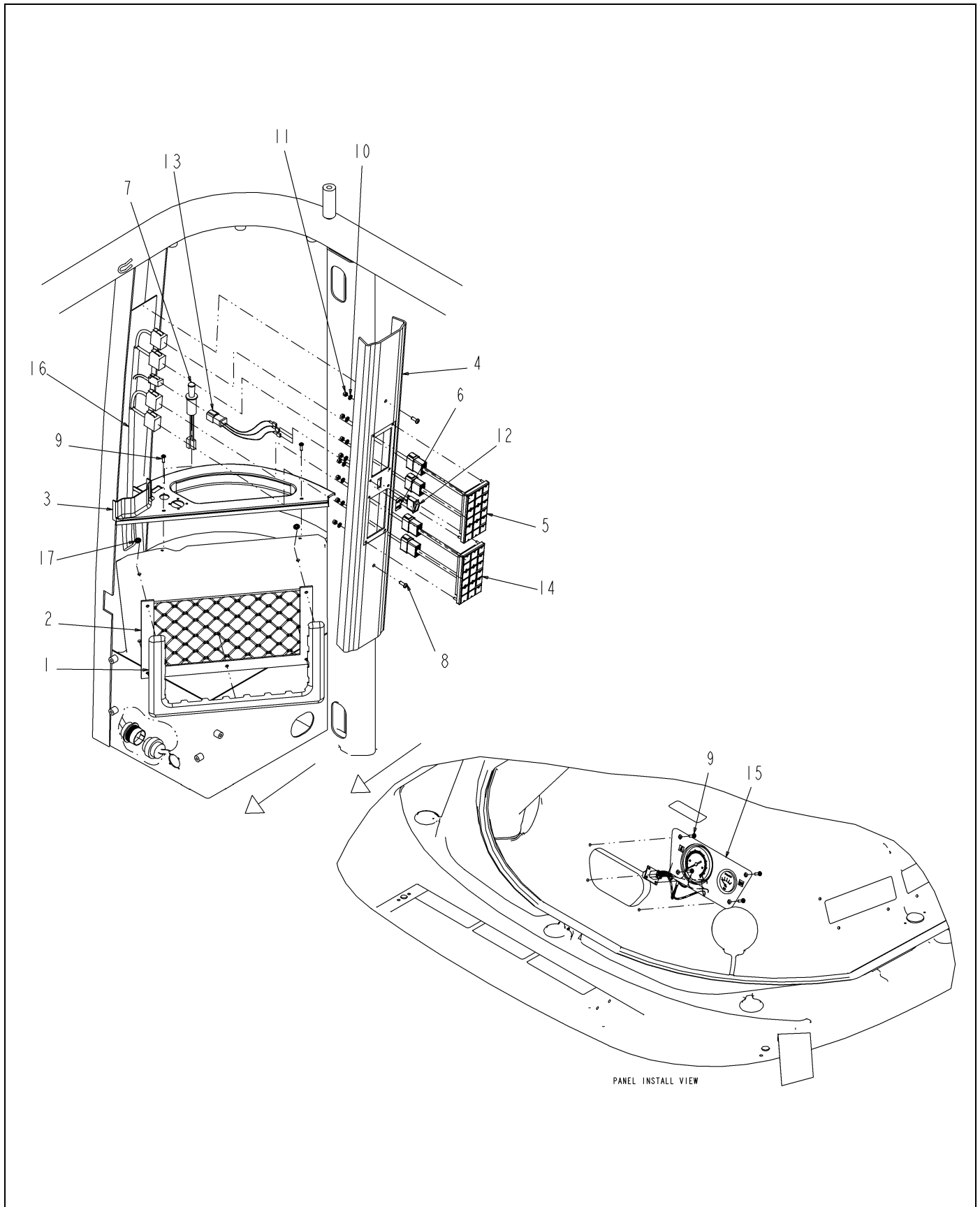


506247D1-01-M856.TIF

PANEL ASM-GAUGE,LIQ,RG

ITEM	PART #	QTY	DESCRIPTION	COMMENTS
1	AG521016	1	GAUGE-PRESS, 0-150PSI	
2	AG522487	1	GAUGE-PRESSURE,0-150 PSI	
3	503645D1	1	HARNESS-GAUGE,PRESSURE	
4	505811D1	1	PANEL-PRESSURE GAGE SURROUND	
5	505829D1	1	DECAL-PRESSURE	
6	505830D1	1	DECAL-PUMP	

PANEL INSTL-TRIM,COMBO

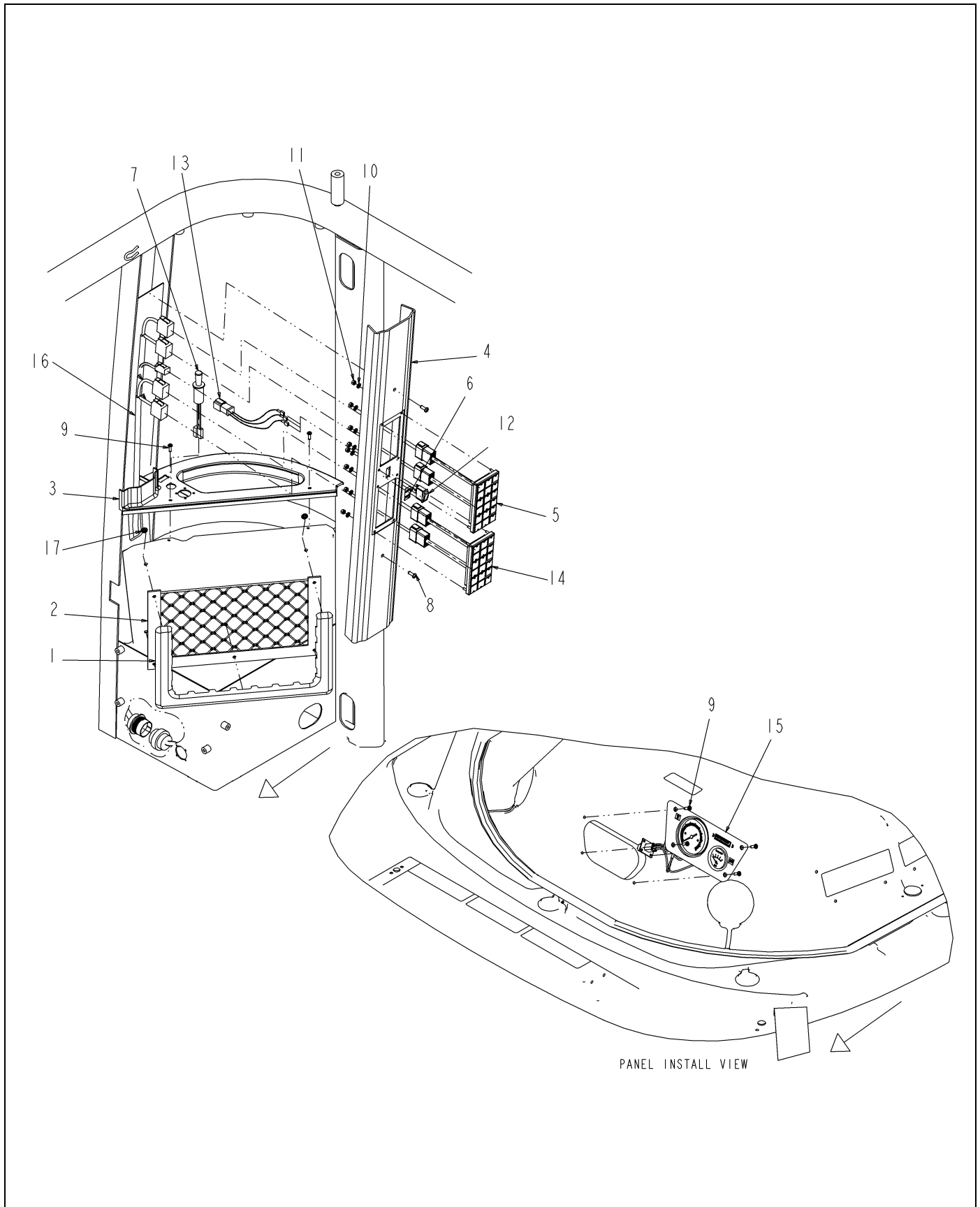


505127D1-03-R266-.TIF

PANEL INSTL-TRIM,COMBO

ITEM	PART #	QTY	DESCRIPTION	COMMENTS
1	180-2825	1	RETAINER (CARGO NET)	
2	184-1704	1	HOLDER-NET	
3	AG134573	1	COVER-CORNER,RH	
4	AG136001	1	TRIM-B POST,RH,W/DUAL KEYPAD	
5	AG136294	1	KEYPAD-RUBBER,LIQ SYSTEM	
6	AG136307	1	DECAL-SWITCH,COMBO	
7	AG520848	1	LIGHTER ASM-CIGAR	SEE PAGE 7-41
8	AG520911	2	SCR-M6-1.0X16,CL10.9,BLK,BHHS	
9	AG523508	6	SCR-M5-0.8X16,CL10.9,BLK,BHHS	
10	AG562196	8	WASHER #8 FL ZN SAE TYPE-A	
11	AG563175	8	NUT #4-40NC HEX SS REG NY	
12	503694D1	1	SWITCH-RKR,ON-ON,OTTO	
13	503695D1	1	HARNES-SWITCH,COMBO	
14	506181D1	1	KEYPAD-RUBBER,A/M 180	
15	506247D1	1	PANEL ASM-GAUGE,LIQ,RG	SEE PAGE 7-51
16	518844D1	1	HARNES-KEYPAD,RG	
17	CH5V-1496	5	RETAINER-6.4 DIA STUD 13.5 OD	

PANEL INSTL-TRIM,COMBO,RG

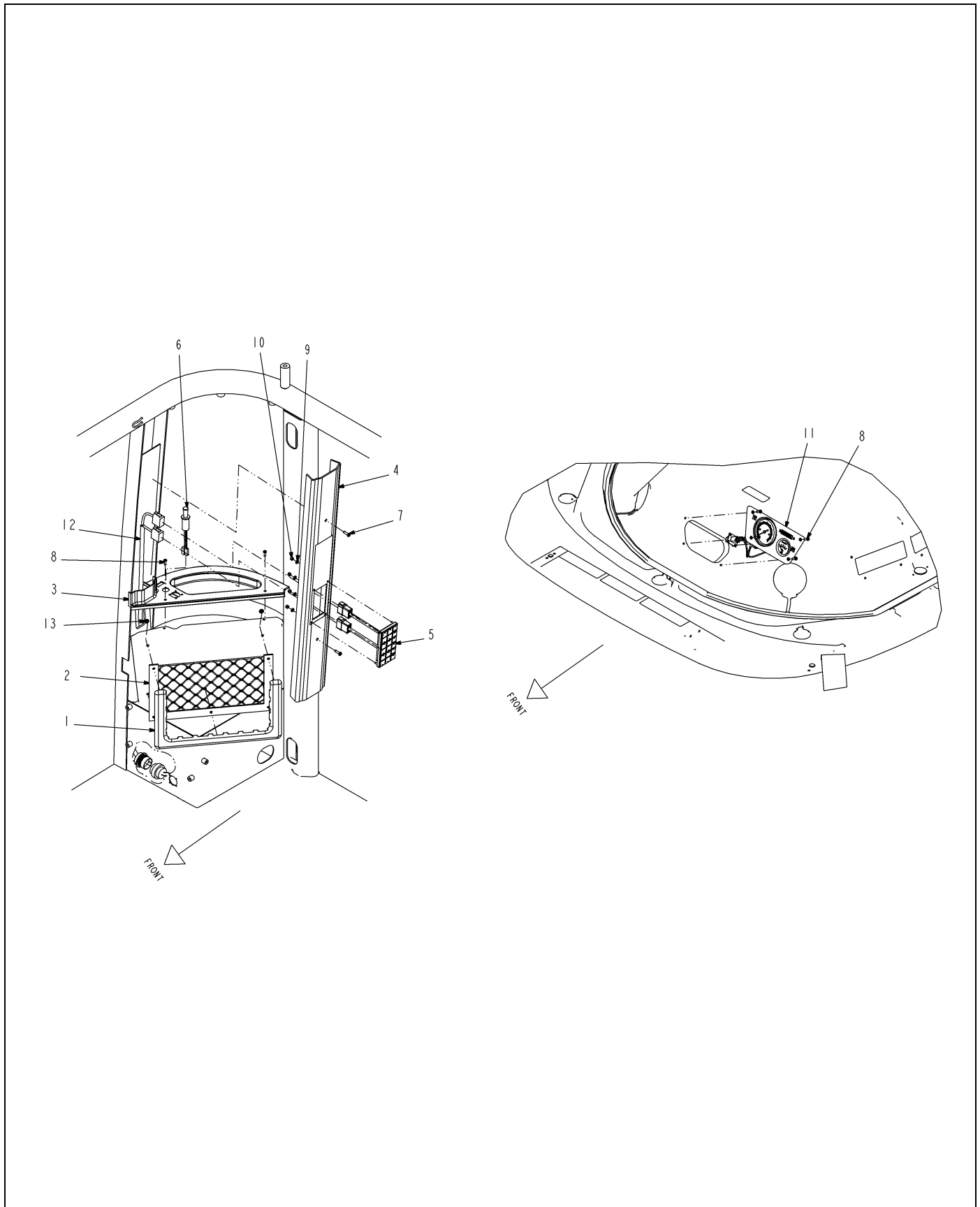


515339D1-02-R266-.TIF

PANEL INSTL-TRIM,COMBO,RG

ITEM	PART #	QTY	DESCRIPTION	COMMENTS
1	180-2825	1	RETAINER (CARGO NET)	
2	184-1704	1	HOLDER-NET	
3	AG134573	1	COVER-CORNER,RH	
4	AG136001	1	TRIM-B POST,RH,W/DUAL KEYPAD	
5	AG136294	1	KEYPAD-RUBBER,LIQ SYSTEM	
6	AG136307	1	DECAL-SWITCH,COMBO	
7	AG520848	1	LIGHTER ASM-CIGAR	SEE PAGE 7-41
8	AG520911	2	SCR-M6-1.0X16,CL10.9,BLK,BHHS	
9	AG523508	6	SCR-M5-0.8X16,CL10.9,BLK,BHHS	
10	AG562196	8	WASHER #8 FL ZN SAE TYPE-A	
11	AG563176	8	NUT #8-32NC HEX SS REG NY	
12	503694D1	1	SWITCH-RKR,ON-ON,OTTO	
13	503695D1	1	HARNES-SWITCH,COMBO	
14	506181D1	1	KEYPAD-RUBBER,A/M 180	
15	515249D1	1	PANEL ASM-GAUGE/LIGHTBAR	
16	518844D1	1	HARNES-KEYPAD,RG	
17	CH5V-1496	5	RETAINER-6.4 DIA STUD 13.5 OD	

PANEL INSTL-TRIM,LIQ,RG

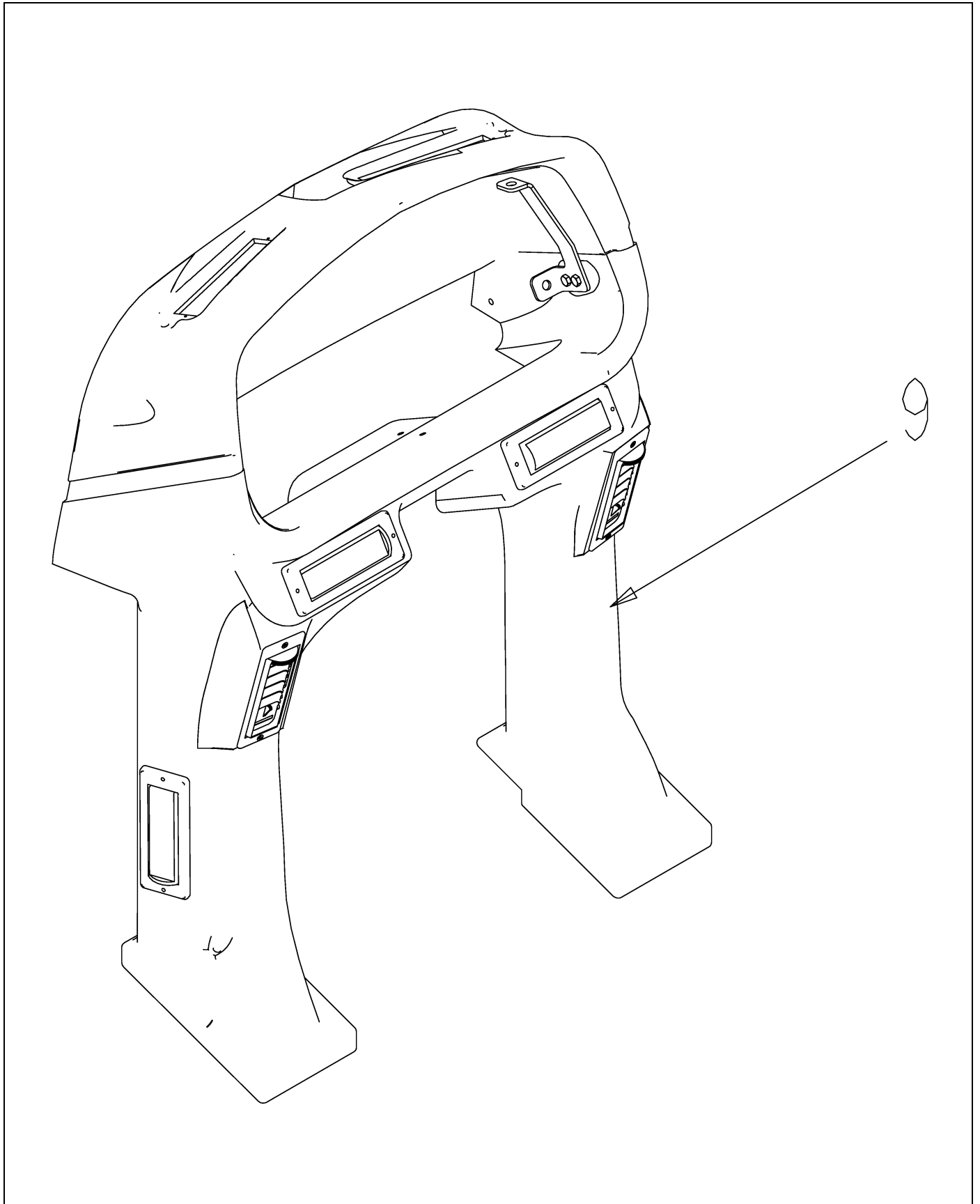


515248D1-02-R266-.TIF

PANEL INSTL-TRIM,LIQ,RG

ITEM	PART #	QTY	DESCRIPTION	COMMENTS
1	180-2825	1	RETAINER (CARGO NET)	
2	184-1704	1	HOLDER-NET	
3	AG134573	1	COVER-CORNER,RH	
4	AG136000	1	TRIM-B POST,RH,W/KEYBOARD	
5	AG136294	1	KEYPAD-RUBBER,LIQ SYSTEM	
6	AG520848	1	LIGHTER ASM-CIGAR	SEE PAGE 7-41
7	AG521730	2	SCR-M6-1.0X20,CL10.9,BLK,BHHS	
8	AG523508	6	SCR-M5-0.8X16,CL10.9,BLK,BHHS	
9	AG562196	4	WASHER #8 FL ZN SAE TYPE-A	
10	AG563176	4	NUT #8-32NC HEX SS REG NY	
11	515249D1	1	PANEL ASM-GAUGE/LIGHTBAR	
12	518844D1	1	HARNESS-KEYPAD,RG	
13	CH5V-1496	5	RETAINER-6.4 DIA STUD 13.5 OD	

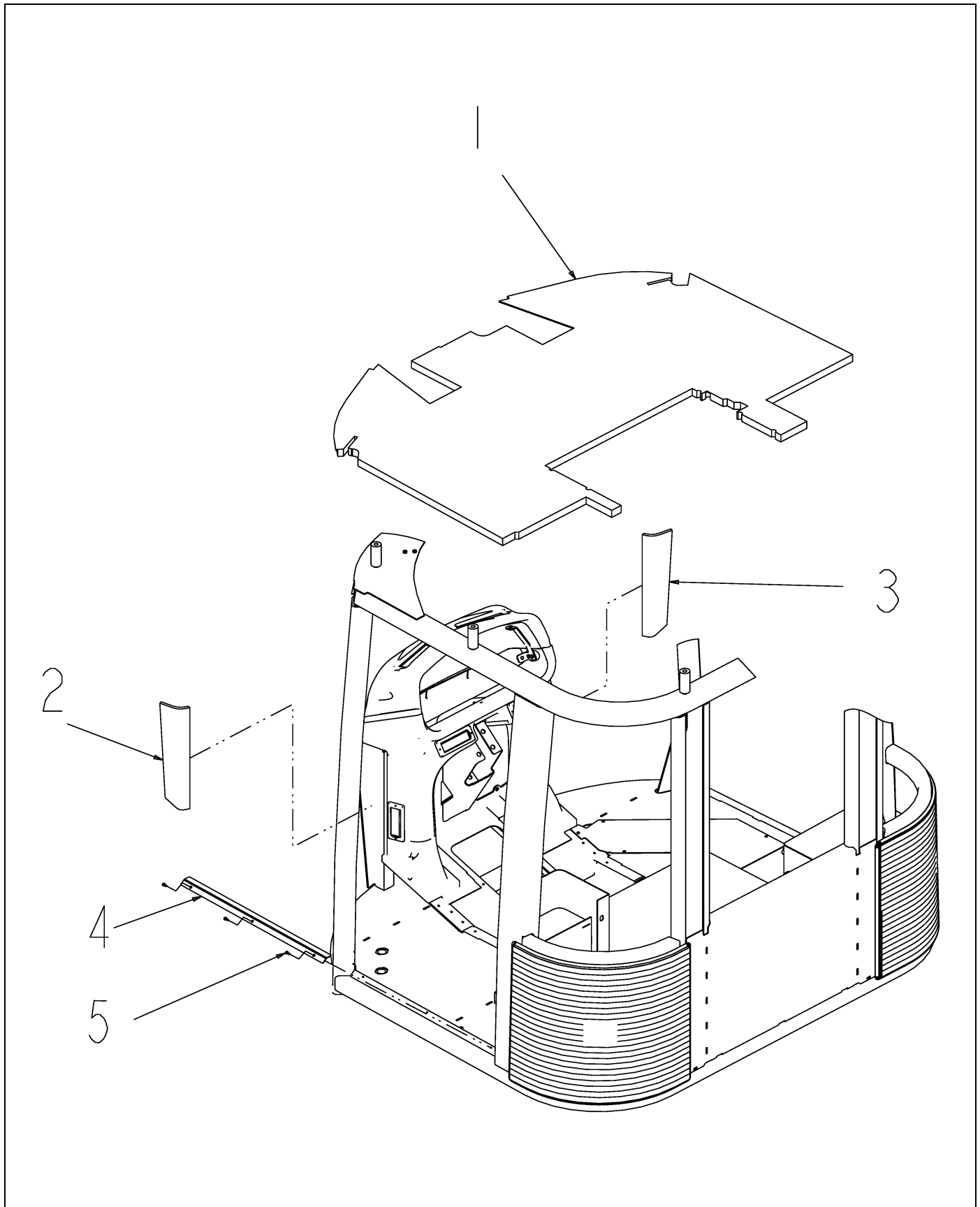
CAB ASM-ROGATOR



508991D1-01-N199.TIF

CAB ASM-ROGATOR

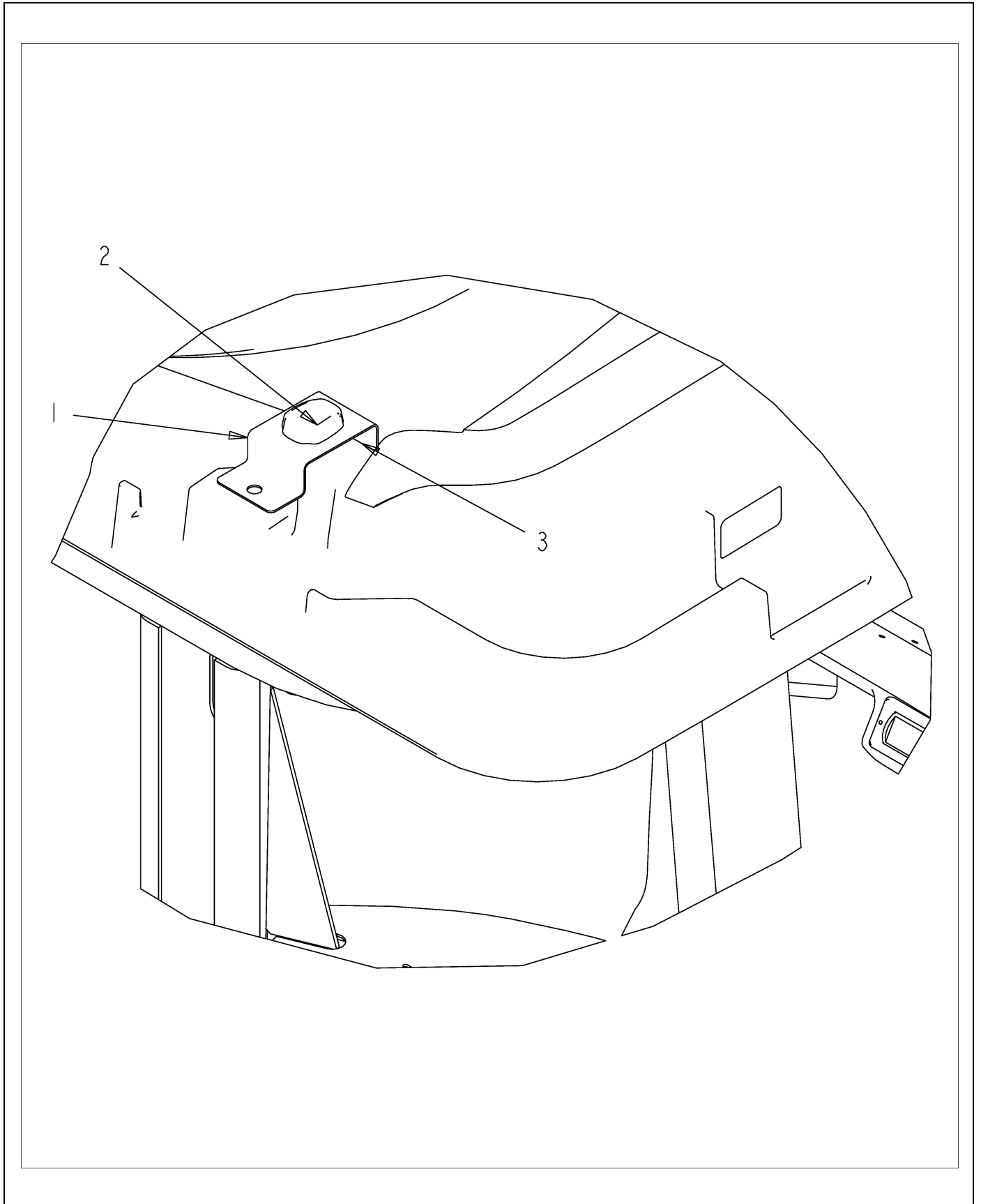
ITEM	PART #	QTY	DESCRIPTION	COMMENTS
0	AG425230	-	BARRIER INSTL-HEAT	SEE PAGE 7-79
0	AG331312	-	FLOORMATS/COVERS	SEE PAGE 7-74
0	AG331311	-	CONTROLS/FRONT	SEE PAGE 7-66
0	AG135998	-	FLOORMAT INSTL-CAB,UPGRADE,RG	SEE PAGE 7-56
0	AG136342	-	INSTL-RADIO,DOMESTIC	
0	AG136343	-	INSTL-RADIO,NON-DOM	
0	AG136346	-	INSTL-RADIO,XM SAT	
0	AG136347	-	INSTL-RADIO,SIRIUS SAT	
0	AG137292	-	CAB/INTERIOR ROOF	
0	AG330239	-	OUTER ROOF	SEE PAGE 7-63
0	AG330240	-	WINDOW GLASS RH	SEE PAGE 7-64
0	AG330241	-	ROOF INNER	SEE PAGE 7-65
0	AG330243	-	STEERING COLUMN/COVERS	SEE PAGE 7-67
0	AG330244	-	HVAC/FILTERS	SEE PAGE 7-68
0	AG330245	-	WIPER	SEE PAGE 7-72
0	AG330246	-	INTERIOR TRIM	SEE PAGE 7-73
0	AG330248	-	CAB ELECTRICAL	SEE PAGE 7-75
0	AG330249	-	AUDIO	SEE PAGE 7-76
0	AG330250	-	ELECTRICAL ROOF	SEE PAGE 7-77
0	AG330512	-	CAB GLASS	SEE PAGE 7-78
0	AG331131	-	INNER ROOF	SEE PAGE 7-62
1	AG131425	1	HARNES-ROOF,MAIN	
2	AG132631	1	HARNES-ROOF,INNER,REAR	
3	AG132641	1	HARNES-ROOF,INNER,FRONT	
4	AG425041	1	SOLENOID INSTL-HORN,AIR	SEE PAGE 6-19
5	AG523347	1	FILTER-AIR,NEW CAB,RECIRC	
6	AG523348	1	FILTER-AIR,NEW CAB,VAPOR/DUST	
7	513965D1	1	ANTENNA-RADIO	
8	505828D1	1	INNER ROOF	
9	508989D1	1	CONSOLE-FRONT,CRENLO 129198	



135998-03-N247-.TIF

FLOORMAT INSTL-CAB,UPGRADE,RG

ITEM	PART #	QTY	DESCRIPTION	COMMENTS
1	AG135997	1	FLOORMAT-CAB,UPGRADE,RG	
2	AG260449	1	FOAM-FIREWALL,LH	
3	AG260450	1	FOAM-FIREWALL,RH	
4	AG521791	1	PLATE-THRESHOLD	
5	AG521792	3	SCR-10-24X.63,SS,PNH,TC,SLFTPG	

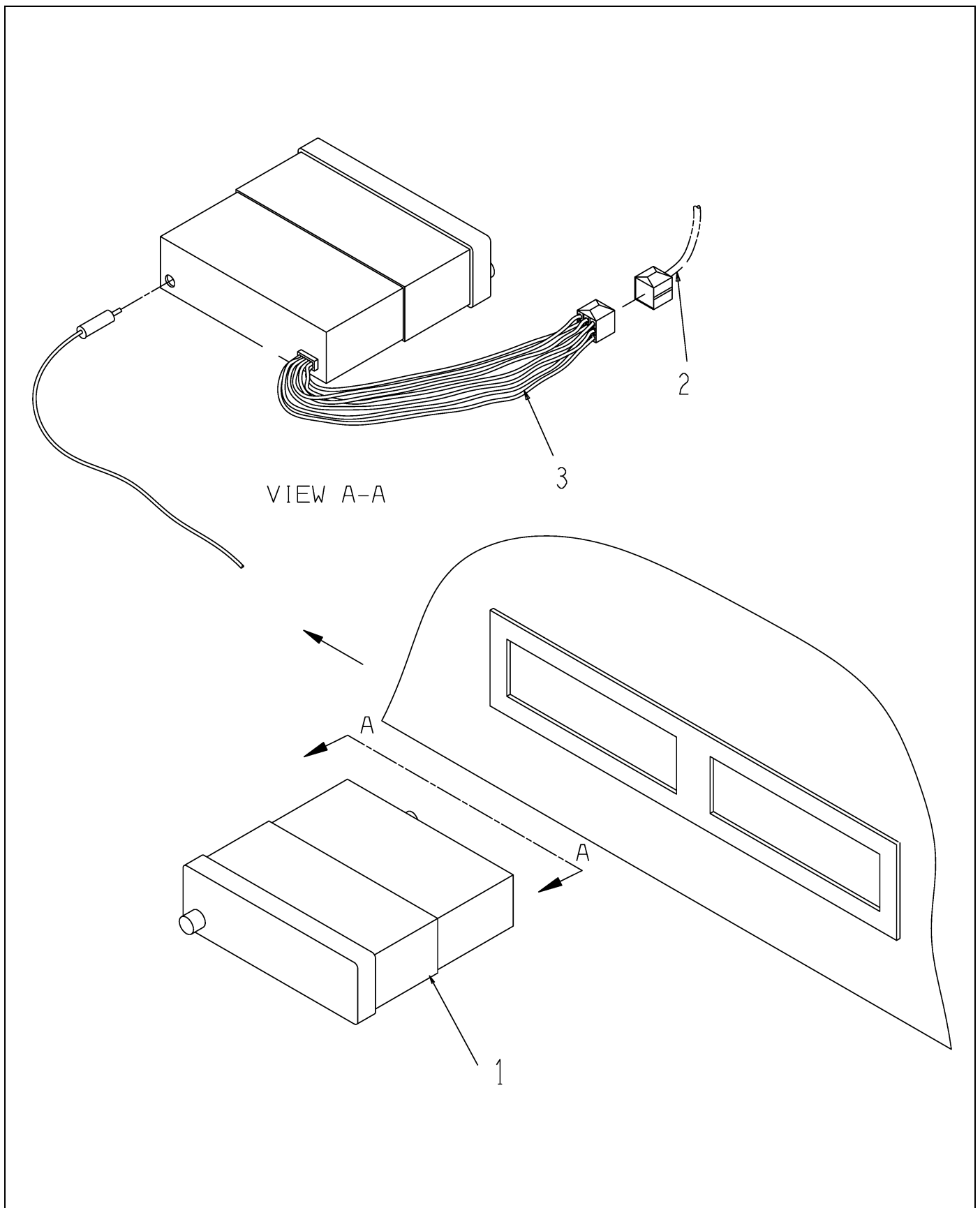


516703D1-01-R038-.TIF

ELEC INSTL SATELLITE RADIO-RG

ITEM	PART #	QTY	DESCRIPTION	COMMENTS
1	516702D1	1	BRACKET SATELLITE RADIO ANT-RG	
2	509637D1	1	SATELLITE-RADIO ANTENNA	
3	AG517560	-	EDGE LINER [BULK: 0.400 FT]	

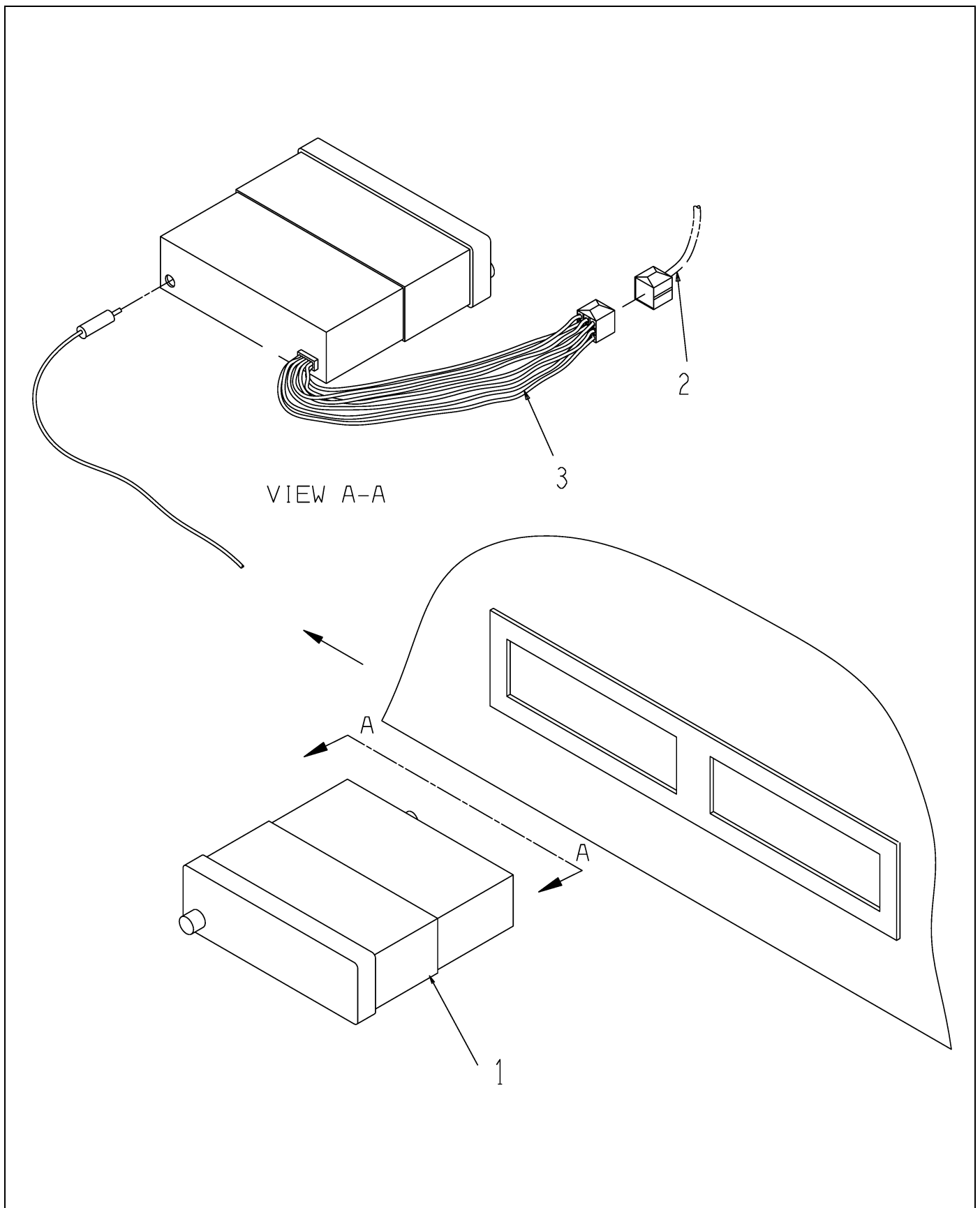
INSTL-RADIO, NON-DOMESTIC



516704D1-01-R038-.TIF

INSTL-RADIO, NON-DOMESTIC

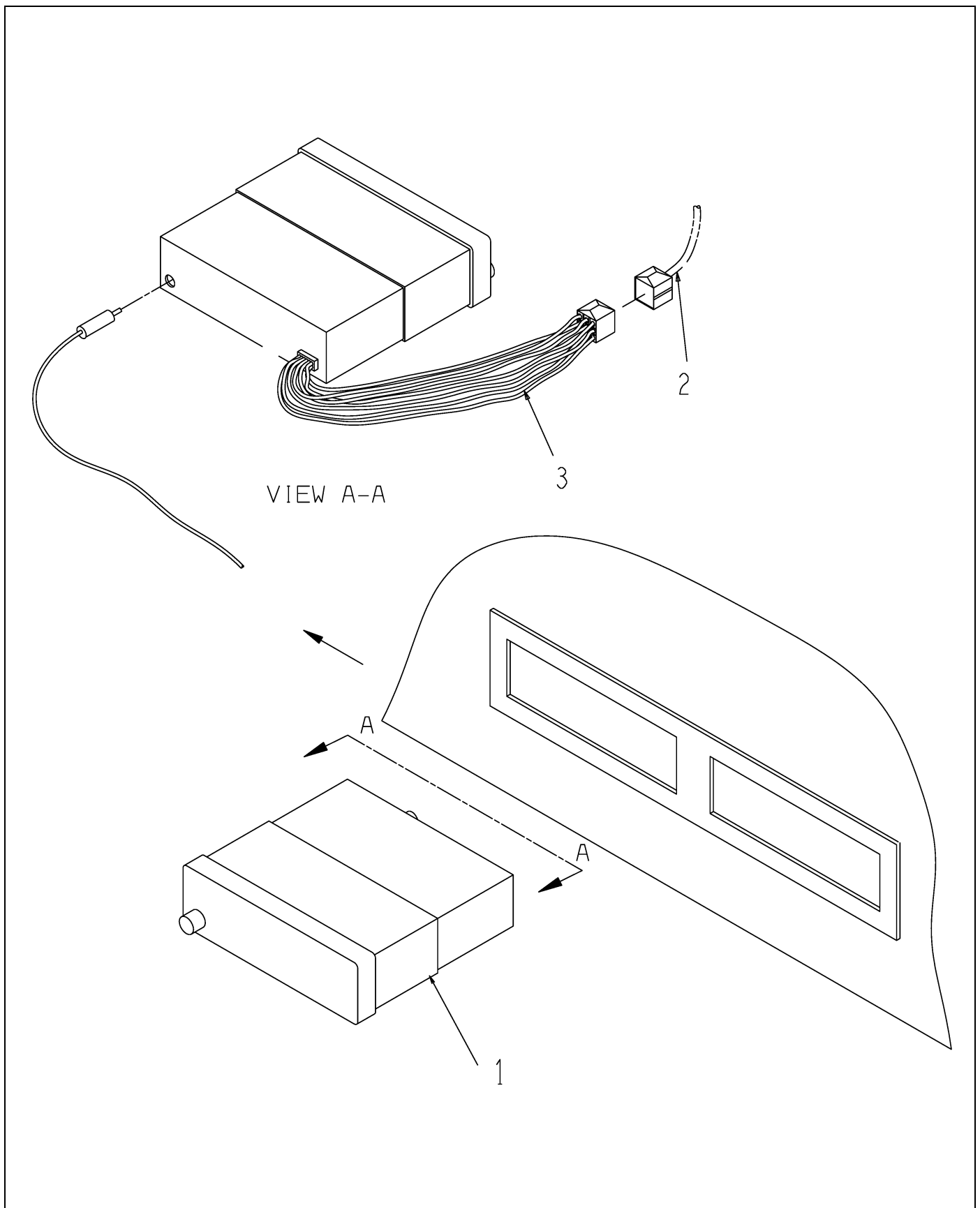
ITEM	PART #	QTY	DESCRIPTION	COMMENTS
1	509632D1	1	RADIO-CD	
2	AG131425	-	HARNESS-ROOF,MAIN	
3	514906D1	1	HARNESS AS.-RADIO ADAPTER	



516705D1-01-R038-.TIF

INSTL-RADIO,DOMESTIC

ITEM	PART #	QTY	DESCRIPTION	COMMENTS
1	509632D1	1	RADIO-CD	
2	AG131425	-	HARNES-ROOF,MAIN	
3	514906D1	1	HARNES AS.-RADIO ADAPTER	

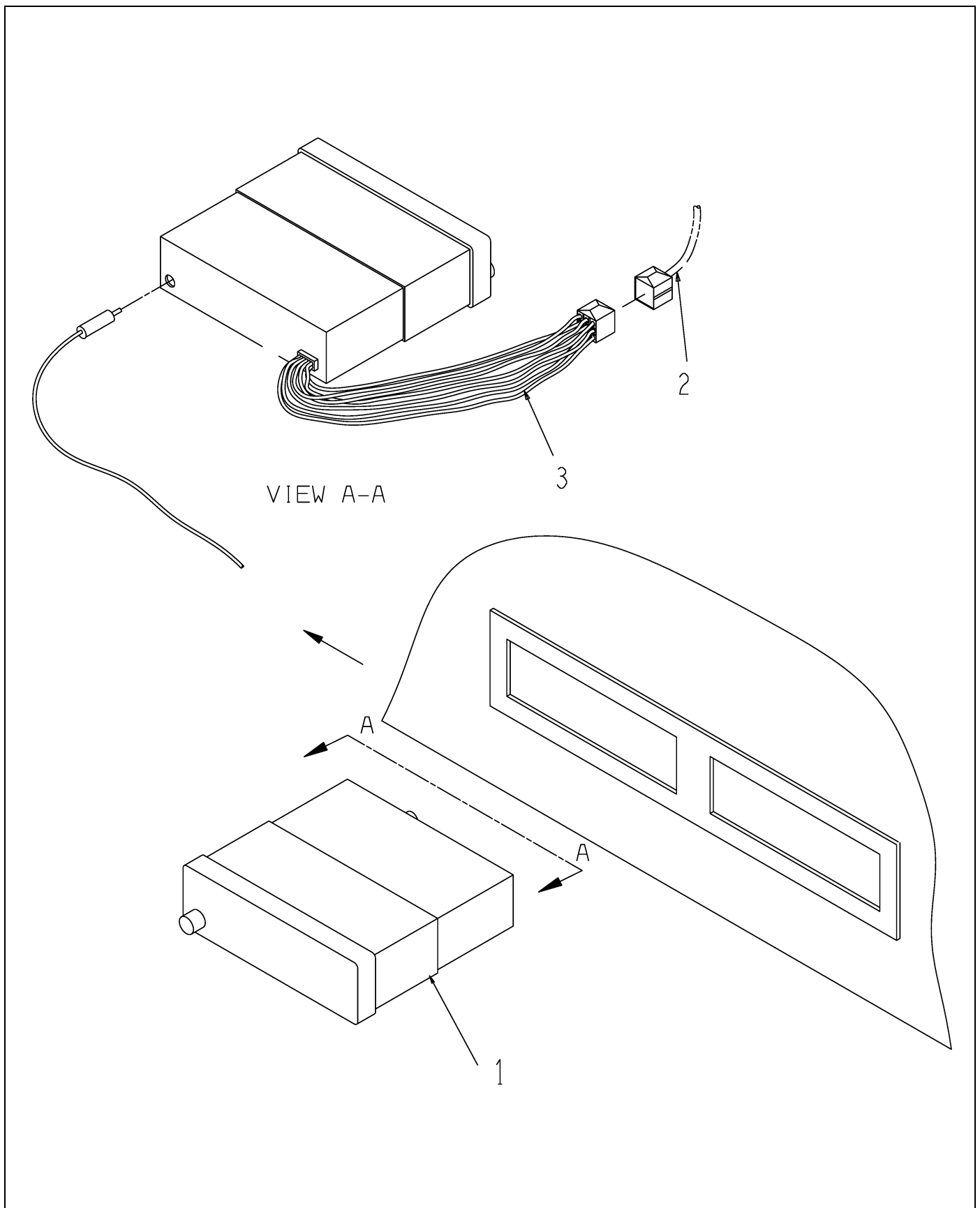


516714D1-01-R038-.TIF

INSTL-RADIO,KIT XM

ITEM	PART #	QTY	DESCRIPTION	COMMENTS
1	509630D1	1	RADIO-CD (XM)	[A]
2	AG131425	-	HARNES-ROOF,MAIN	
3	514906D1	1	HARNES AS.-RADIO ADAPTER	
	FOOTNOTE [A]		S/N ..Txx1001	

INSTL-RADIO,KIT SIRIUS

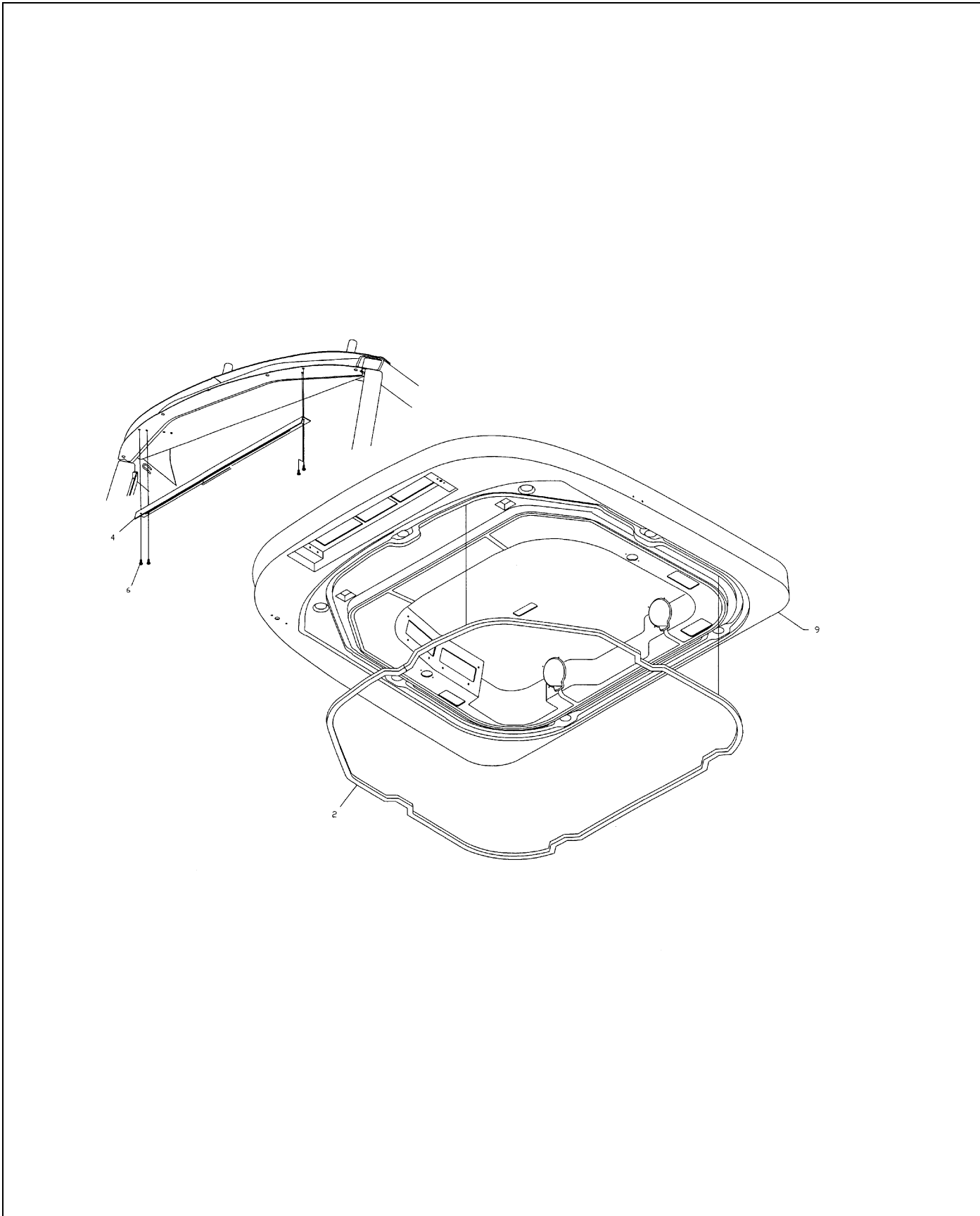


516715D1-01-R038-.TIF

INSTL-RADIO,KIT SIRIUS

ITEM	PART #	QTY	DESCRIPTION	COMMENTS
1	509631D1	1	RADIO-CD (SIRIUS)	
2	AG131425	-	HARNES-ROOF,MAIN	
3	514906D1	1	HARNES AS.-RADIO ADAPTER	

INNER ROOF

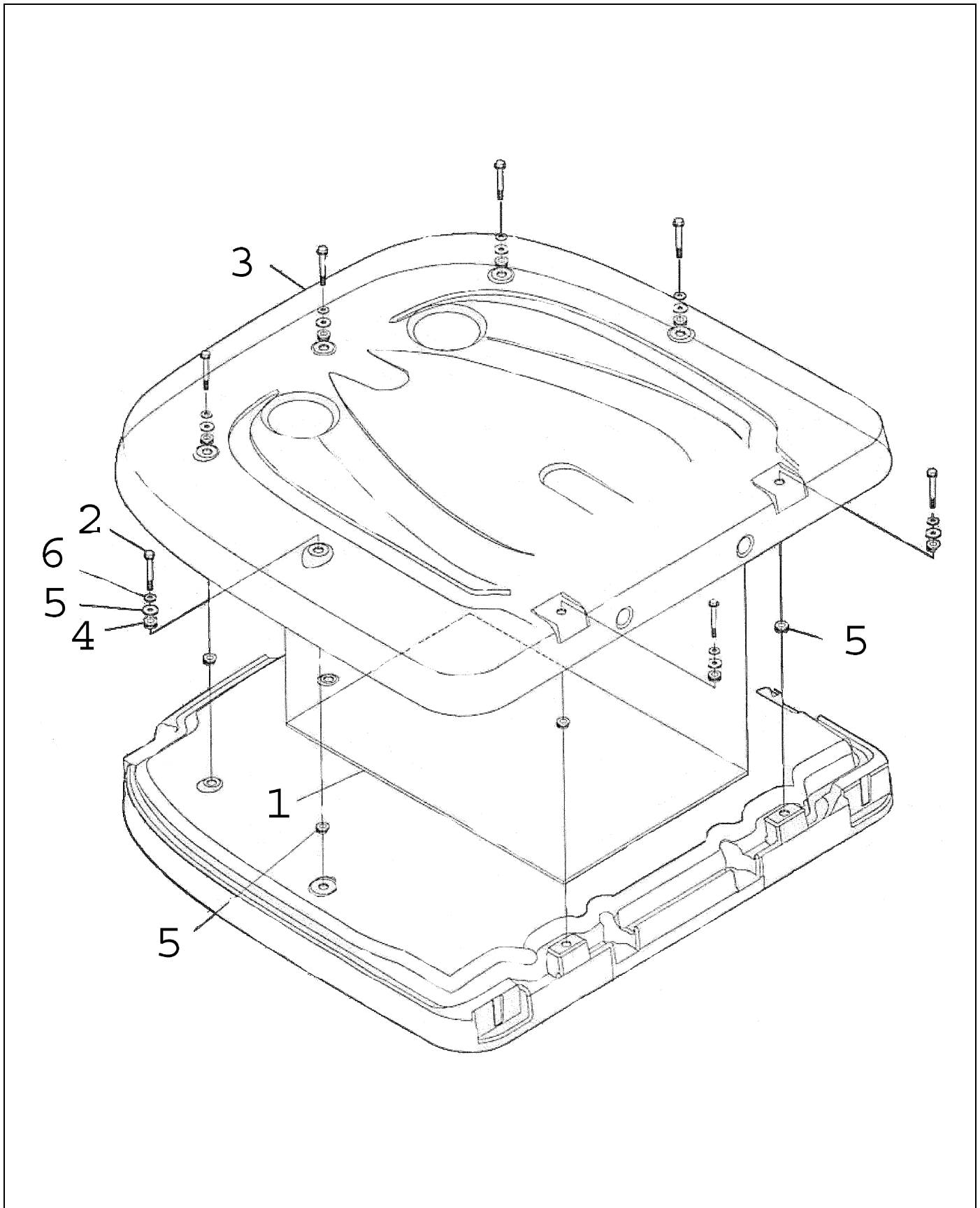


331131.tif

INNER ROOF

ITEM	PART #	QTY	DESCRIPTION	COMMENTS
2	AG718381	AR	SEAL-BULB	
4	AG718383	1	SUNVISOR-SCISSORS	
6	AG721718	4	SCREW,M4PH MACHINED	
9	AG331132	1	HEADLINER/W INNER ROOF	

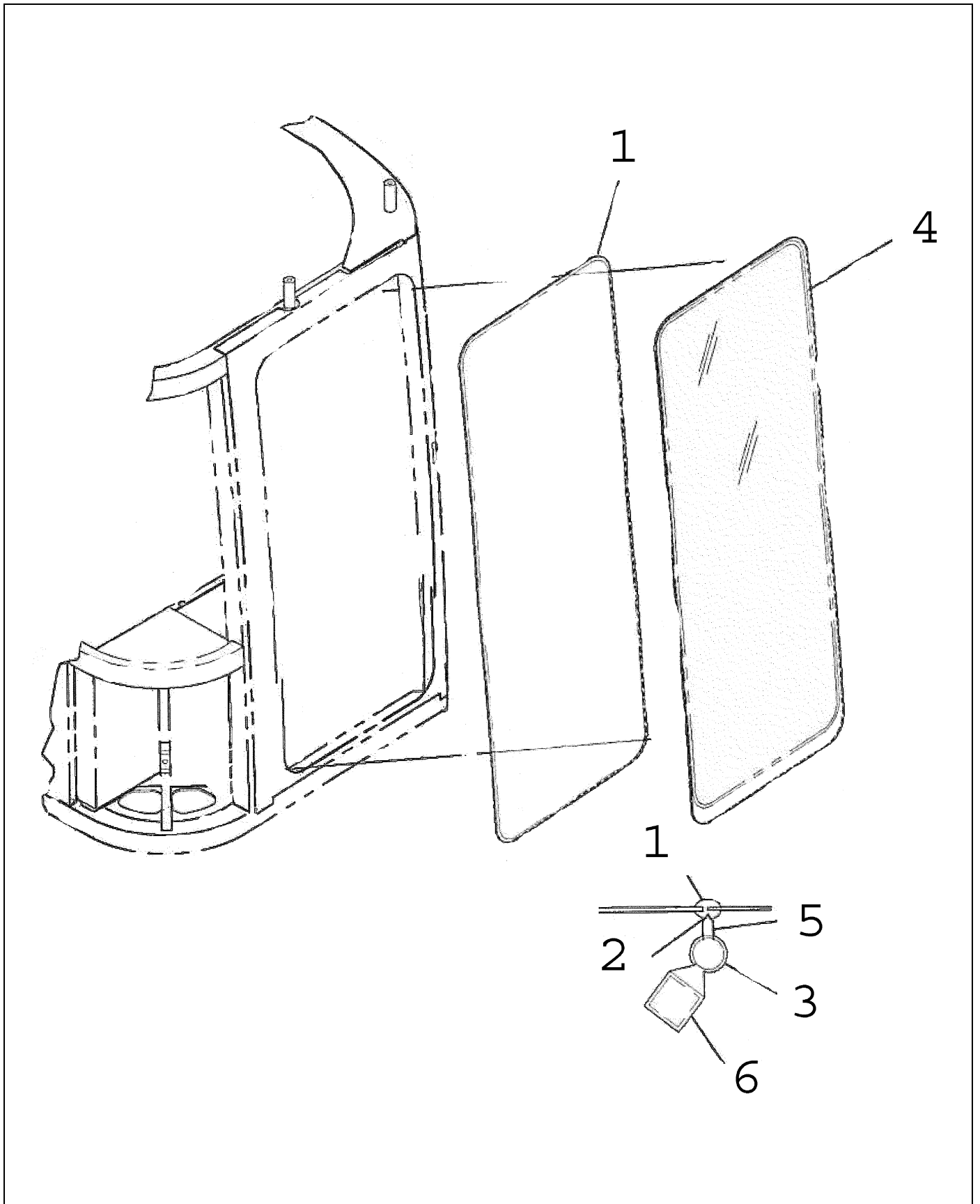
OUTER ROOF



330239.TIF

OUTER ROOF

ITEM	PART #	QTY	DESCRIPTION	COMMENTS
1	AG330251	1	MAT/ROOF INSULATION	
2	AG722382	7	BOLT-M12-1.75X100	
3	AG143465	1	ROOF-OUTER, NON-DOMESTIC	
4	AG721848	7	GROMMET-11/16ID OUTER ROFF ASM	
5	AG721909	23	WASHER NY M12	
6	AG061265	7	WASHER/BONDED	

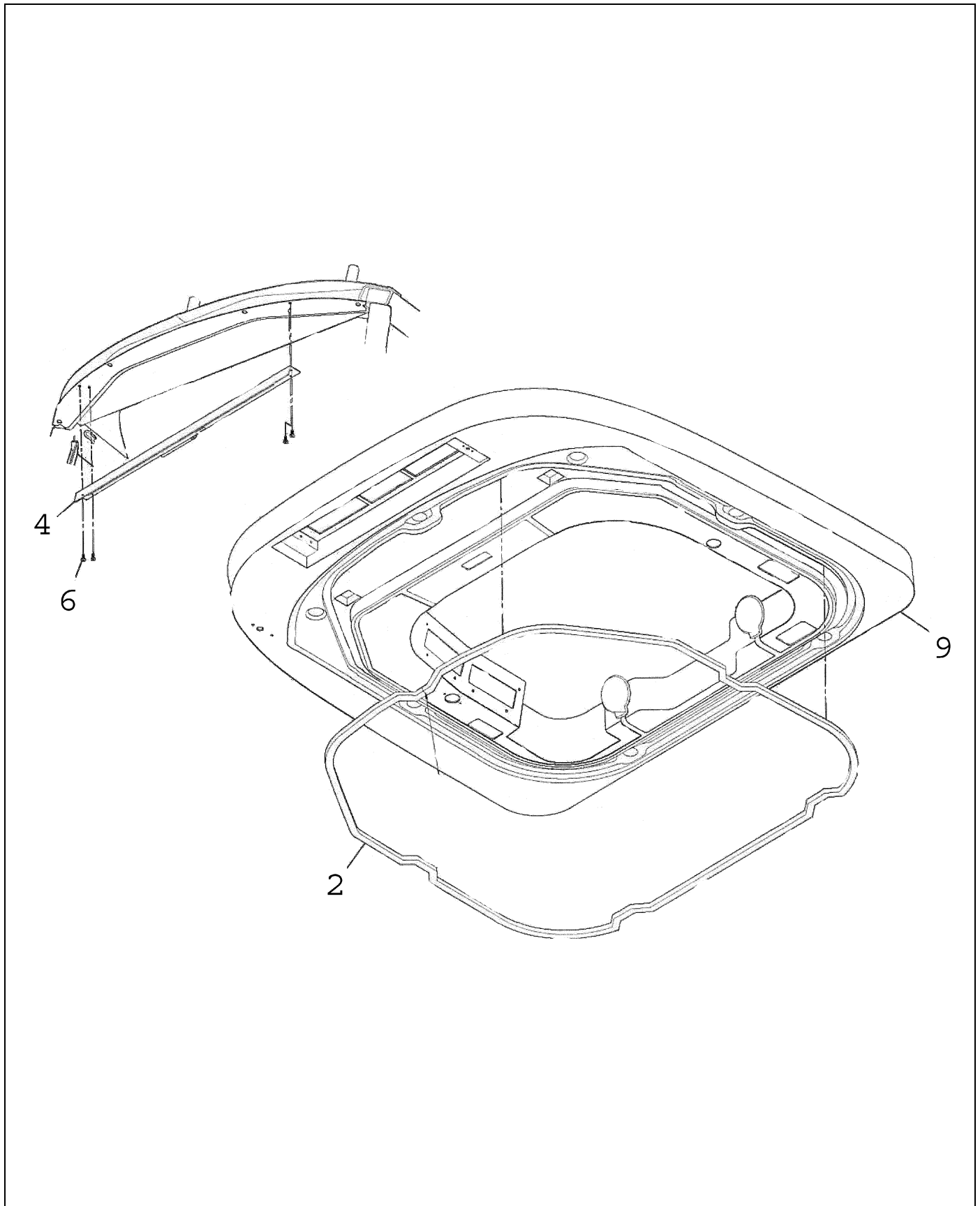


330240.TIF

WINDOW GLASS RH

ITEM	PART #	QTY	DESCRIPTION	COMMENTS
1	AG718372	AR	SEAL-WINDOW	
2	AG718373	AR	SEAL-LOCKING	
3	AG718382	1	MAT,HEADLINER ASSEMBLY	
4	AG330252	1	GLASS/RH SIDE	
5	AG718377	1	FILM-INSTRUCTION	
6	AG718383	1	SUNVISOR-SCISSORS	

ROOF INNER

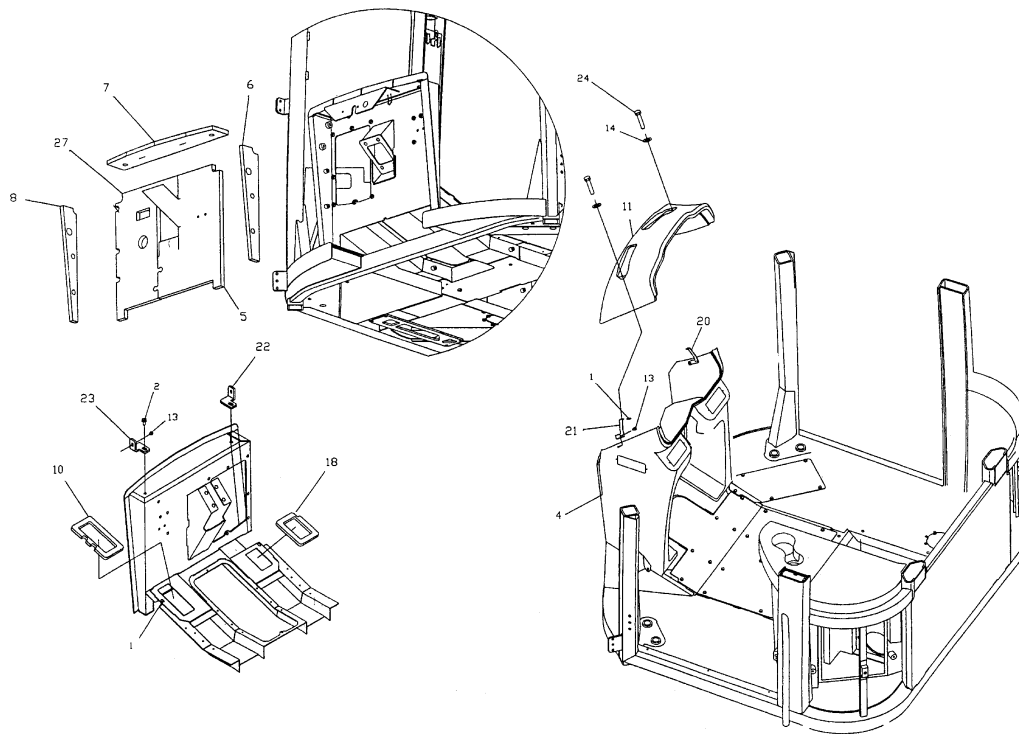


330241.TIF

ROOF INNER

ITEM	PART #	QTY	DESCRIPTION	COMMENTS
2	AG718381	16	SEAL-BULB	
4	AG718383	1	SUNVISOR-SCISSORS	
6	AG721718	4	SCREW,M4PH MACHINED	
9	AG330253	1	HEADLINER	

CONTROLS FRONT

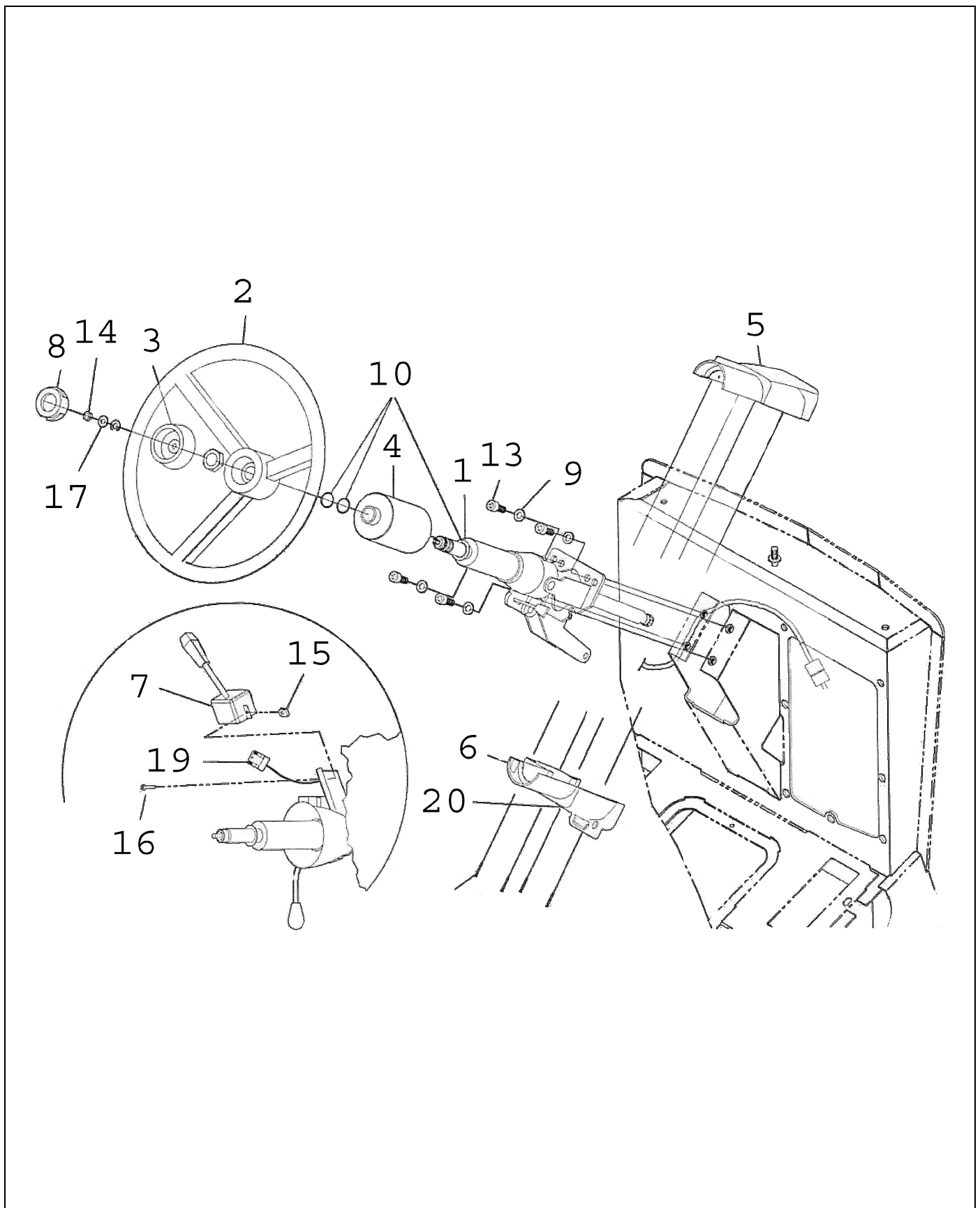


331311.tif

CONTROLS FRONT

ITEM	PART #	QTY	DESCRIPTION	COMMENTS
1	AG330254	4	PALNUT	
2	AG330255	2	SCREW/M8 HEX FLANGE	
3	AG330475	4	SCREW/M6 HEX FLANGE	
4	AG331314	1	CONSOLE/CTR BASE ROGATOR	
5	AG331315	1	INSUL/FRONT LH FIREWALL	
6	AG331316	1	INSUL/SIDE LH FIREWALL	
7	AG331317	1	INSUL/TOP FIREWALL	
8	AG331318	1	INSUL/SIDE RH FIREWALL	
10	AG139315	1	GASKET/FRONT CONSOLE	
11	AG330258	1	CONSOLE/TOP	
13	AG331319	4	SCREW/M6X12	
14	AG331320	4	WASHER/FLAT 6.4	
16	AG331321	2	SCREW/M6X100 HXHD	
18	AG331322	1	GASKET/FRT CONS ROGATOR	
20	AG331323	1	BRKT/MTG CONSOLE FRT RH	
21	AG331324	1	BRKT/MTG CONSOLE FRT LH	
22	AG331325	1	BRACKET/MTG CONSOLE RH	
23	AG331326	1	BRACKET/MTG CONSOLE LH	
24	AG331327	2	SCREW/M6 HEX HD	
26	AG331328	2	SCREW/HEX FLG M6	
27	AG331329	1	INSUL/FRONT RH FIREWALL	

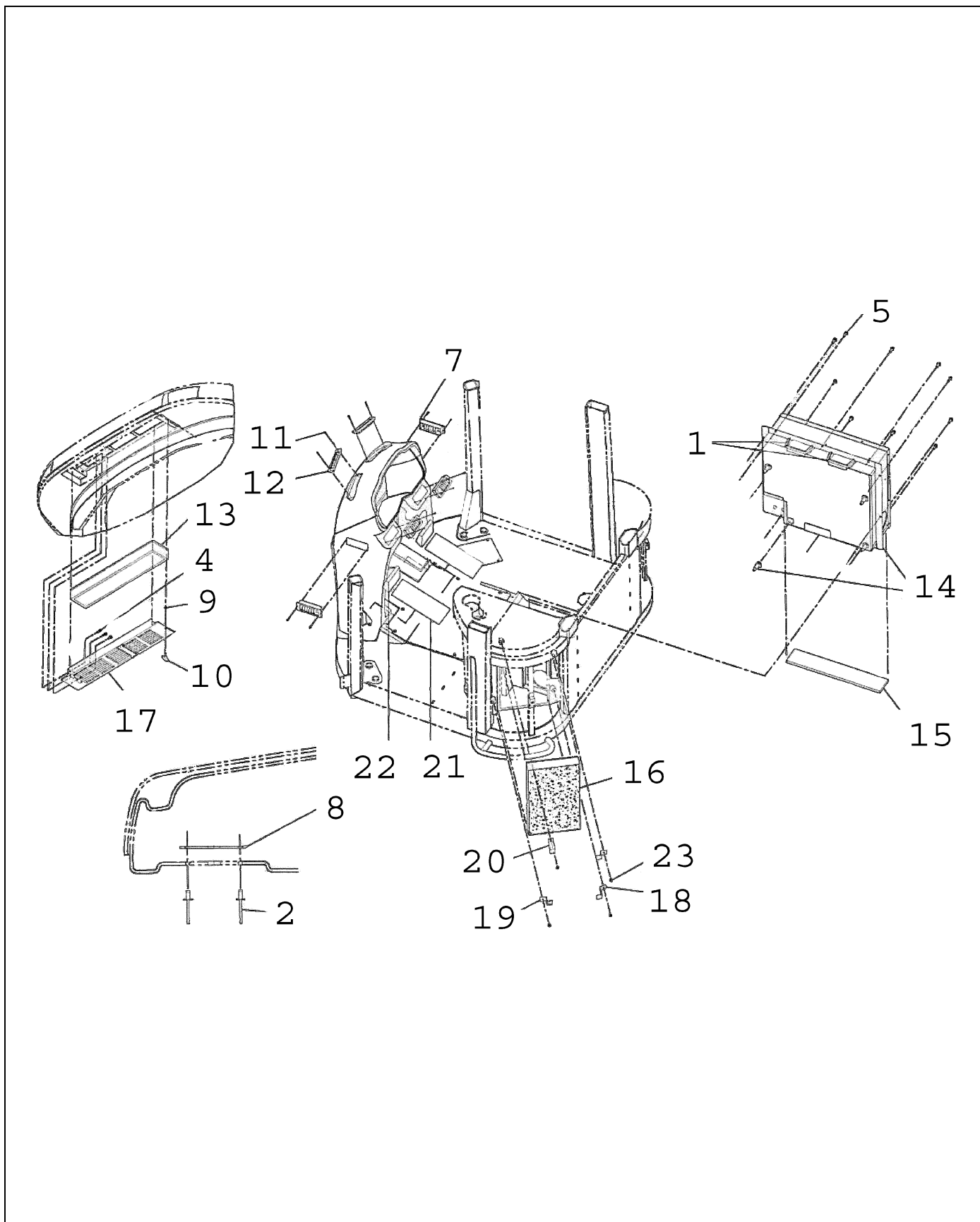
STEERING COLUMN/COVERS



330243.TIF

STEERING COLUMN/COVERS

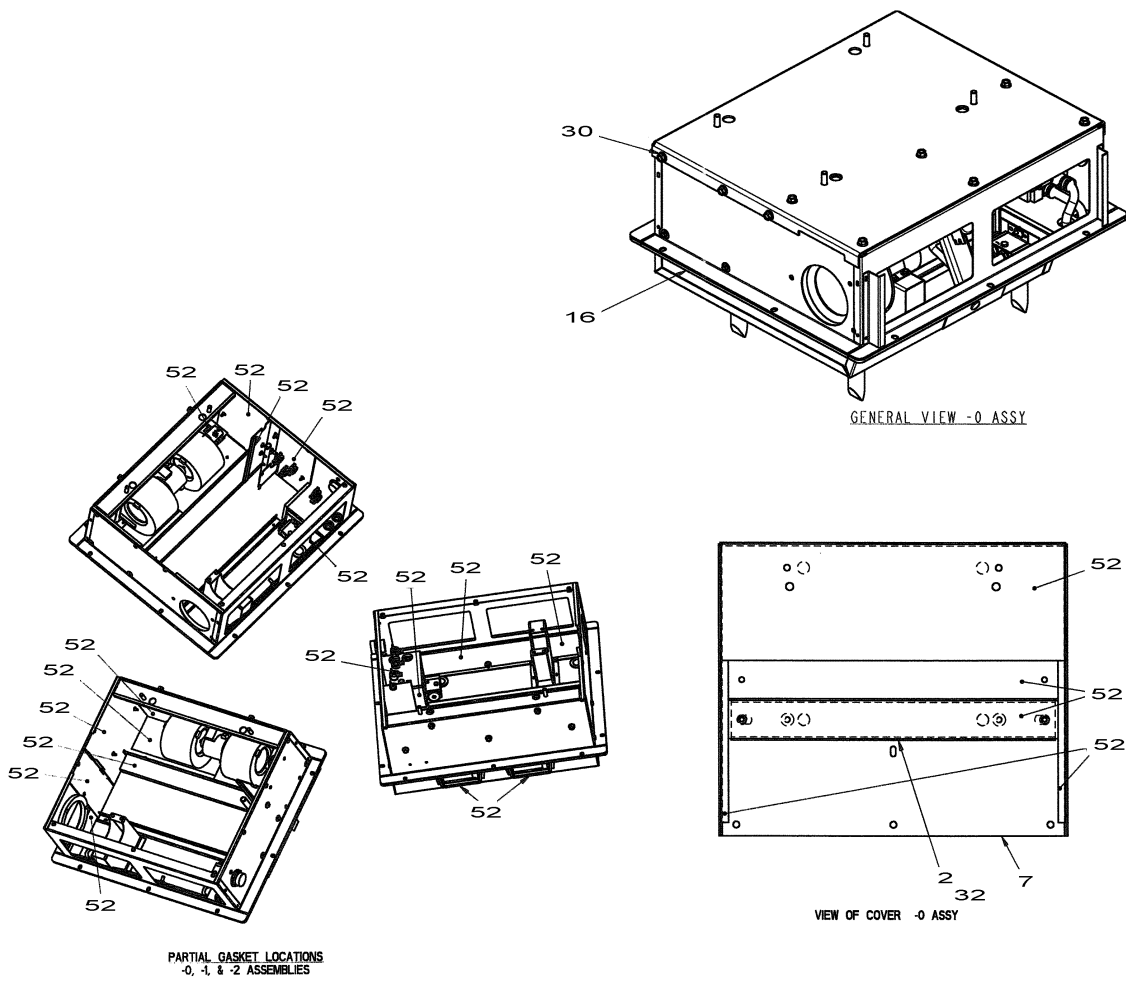
ITEM	PART #	QTY	DESCRIPTION	COMMENTS
1	AG330440	1	STEERING ASY/COLUMN	
2	AG330441	1	STEERING WHEEL	
3	AG330442	1	KNOB/ADJUSTER	
4	AG721720	1	COVER-TELESCOPE	
5	AG721721	1	COLUMN COVER,UPPER	
6	AG721723	1	COLUMN COVER,LOWER	
7	AG719075	1	SWITCH-TURN SIGNAL	
8	AG721722	1	HUB CAP	
9	AG330443	4	WASHER	
10	AG330444	3	PACKING/O-RING	
13	AG330445	4	SCREW/M 10 X 25	
14	AG330446	1	NUT/LOCK HEX	
15	AG330447	2	NUT/SWITCH MTG	
16	AG721718	2	SCREW,M4PH MACHINED	
17	AG330448	2	WASHER FLAT M8	
18	AG719989	4	SCREW-OVAL HEAD	
19	AG722182	1	PLUG-COLD SWITCH	
20	AG330449	1	DECAL/OVAL	



330244.TIF

HVAC

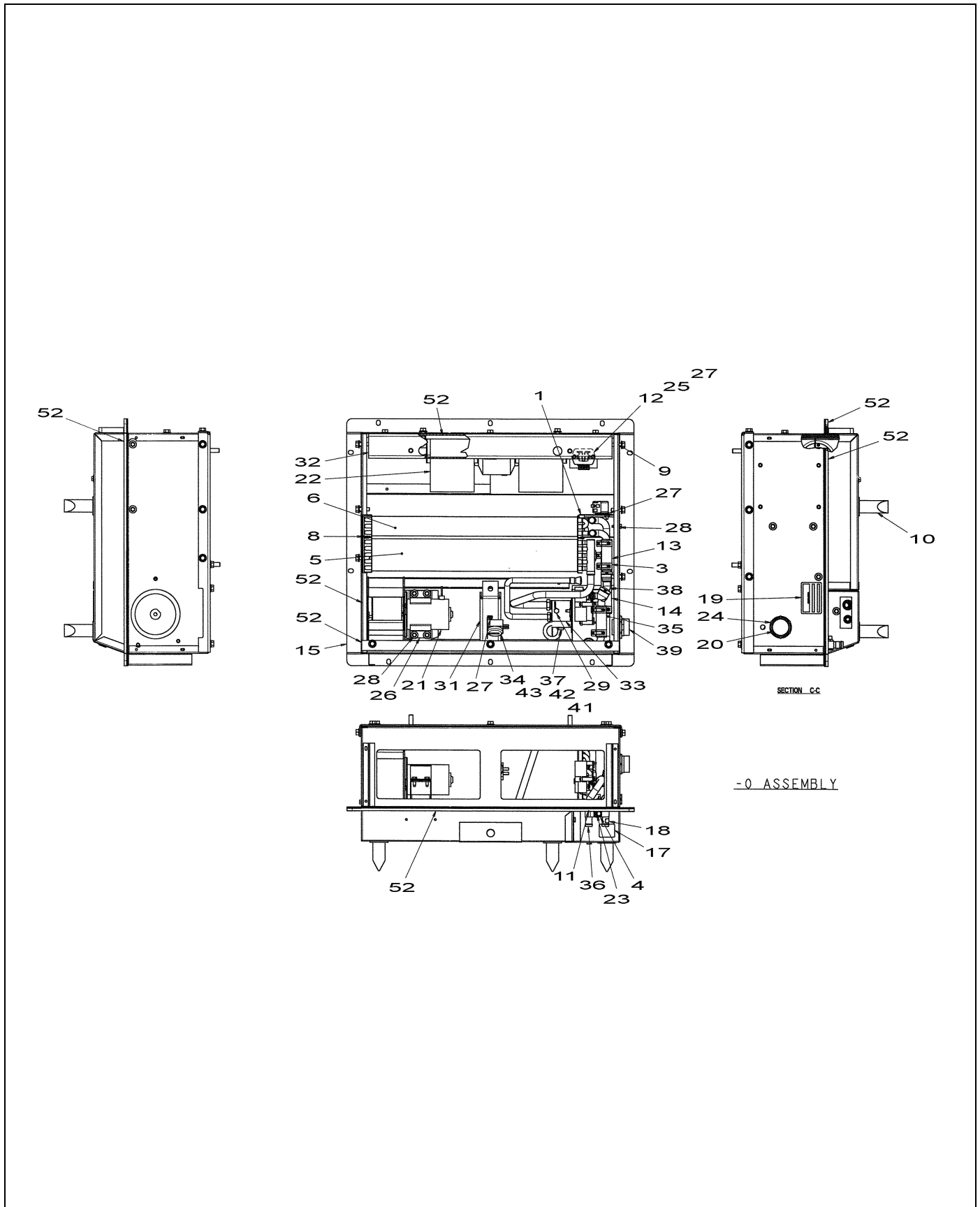
ITEM	PART #	QTY	DESCRIPTION	COMMENTS
2	AG330450	2	RIVET/BLIND	
4	AG330451	3	SCREW/HEX M6	
5	AG330452	10	SCREW/M8	
7	AG718279	4	LOUVER-HVAC	
8	AG718296	1	RECEPTACLE-FLAT	
9	AG330453	1	RETAINER/PUSH ON	
10	AG718333	1	SCREW-WING,SS	
11	AG719990	12	SCREW #6X.50	
12	AG718280	2	LOUVER-AIR	
13	AG718281	1	FILTER-PARTICLE	
14	AG330454	1	HEATER/HVAC	
15	AG523347	1	FILTER-AIR,NEW CAB,RECIRC	
16	AG523348	1	FILTER-AIR,NEW CAB,VAPOR/DUST	
17	AG718304	1	HOUSING-ASM FILTER	
18	AG330455	1	BRACKET/FILTER	
19	AG718314	2	BRACKET-FILTER,RH	
20	AG718313	1	BRACKET-FILTER,LH	
21	AG330456	2	LINER/AIR CHANNEL	
22	AG330457	2	WEDGE/AIR CHANNEL	
23	AG330458	4	SCREW/HD MACHINE	



330738-A-01.tif

HVAC/W/AND W/O ATC

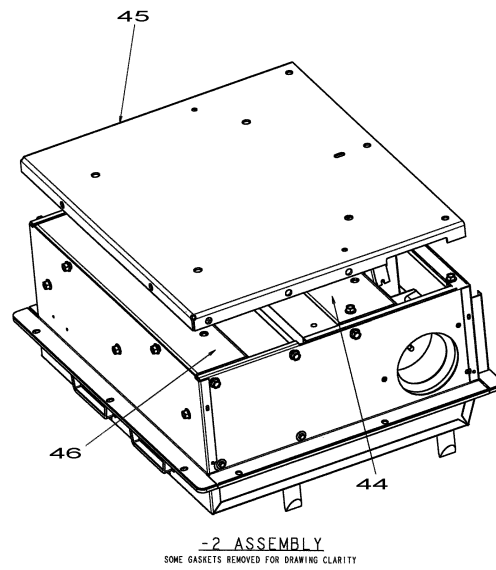
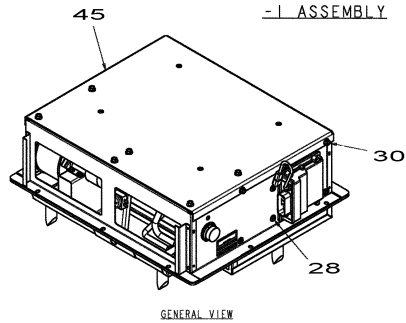
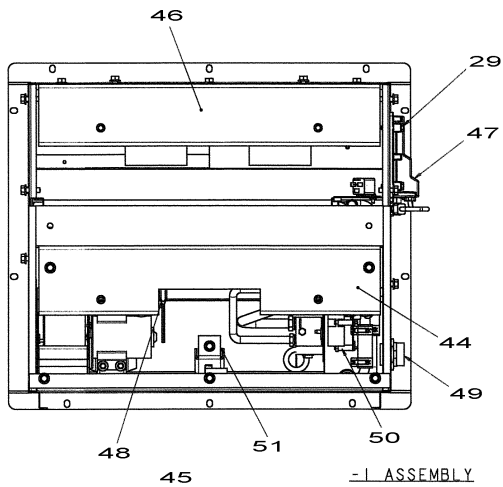
ITEM	PART #	QTY	DESCRIPTION	COMMENTS
0	AG330742	AR	SEALANT/TAMPER PROOF	
0	AG330741	AR	SEALANT/ADHESIVE	
2	AG132143	1	BRACKET	
16	AG330739	1	KIT/GASKET	
30	AG330747	18	SCREW/M8X1.25 HEX WSHR HEAD	
52	AG330739	AR	KIT/GASKET	



330738-A-02.tif

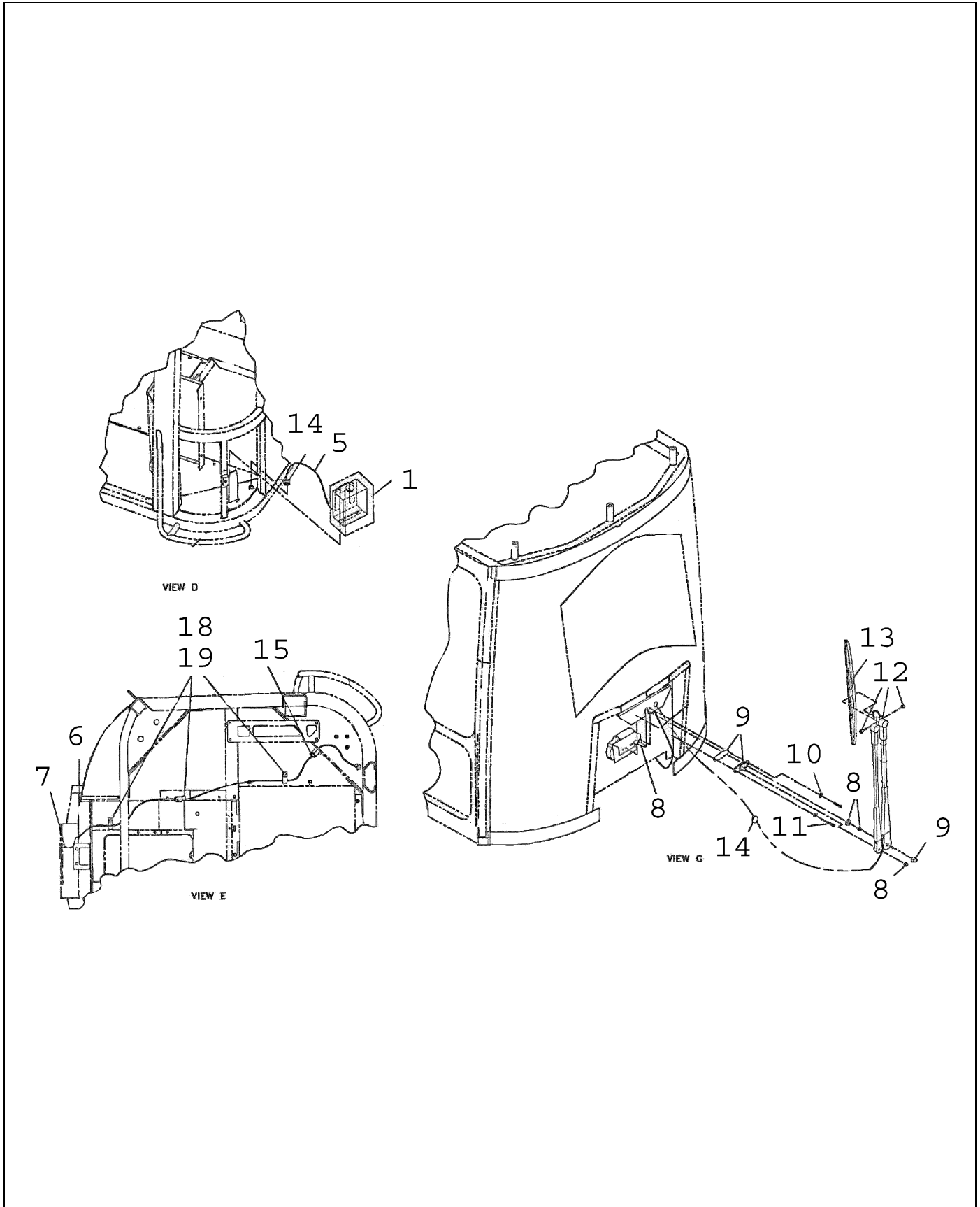
HVAC/W/AND W/O ATC

ITEM	PART #	QTY	DESCRIPTION	COMMENTS
1	AG330767	1	ANGLE/CORE SEAL ASM	
3	AG330766	6	CLAMP/SPRING BAND	
4	AG719303	2	CLAMP TUBE .62 DIA	
5	AG330764	1	EVAPORATOR/CORE	
6	AG727097	1	CORE/HEATER R4460	
10	AG330759	4	FITTING/DRAIN-DUCK BILL	
11	AG727096	2	GROMMET	
12	502269D1	1	RELAY GUARD	
13	AG330757	2	HOSE/HEATER 5/8 ID X .94	
14	AG330756	1	HOSE/HEATER 8/8 ID X .94	
20	AG330754	1	WASHER/LOCK	
21	AG718805	1	MOTOR BLOWER ASM PRESSURE	
22	AG330576	1	MOTOR/BLOWER FAN	
23	AG330753	2	NUT/M8 W/CONICAL WASHER	
24	AG330752	1	NUT/PANEL	
25	AG718806	1	RESISTOR-SPEED CONTROL	
26	AG330751	1	RETAINER/MOTOR	
27	AG330750	6	SCREW/M5X.86G HEX WSHR HD	
28	AG330749	12	SCREW/M6X1.0-6G	
29	AG330748	1	SCREW/M8X1.00 5G METRIC HEX HD	
34	AG718798	1	THERMOSTAT	
35	AG718788	1	TUBE-HEATER,INLET	
36	AG718789	1	TUBE-HEATER,OUTLET	
37	AG718801	1	VALVE-EXPANSION	
38	AG718787	1	VALVE-WATER,ELECTRONIC	
39	AG727094	1	HARNES/WIRE	
41	AG330221	1	O-RING/#8	
42	AG330220	1	O-RING/#10	
43	AG330744	1	TUBE/1/8 ID	
52	AG330739	AR	KIT/GASKET	



HVAC/W/AND W/O ATC

ITEM	PART #	QTY	DESCRIPTION	COMMENTS
28	AG330749	12	SCREW/M6X1.0-6G	
29	AG330748	1	SCREW/M8X1.00 5G METRIC HEX HD	
30	AG330747	18	SCREW/M8X1.25 HEX WSHR HEAD	
44	507159D1	1	CHANNEL ASM-COVER	
45	507158D1	1	COVER-ASM	
46	507160D1	1	SUPPORT-ASM	
47	AG330743	1	CONTROL/AUTO TEMP ECU MODULE	
48	AG330219	1	THERMOSTAT/PROBE	
49	AG330218	1	HARNES/WIRE ASM ATC	
50	AG330209	1	VALVE/WATER ELECTRONIC	
51	AG330740	1	COVER ASM/SUPPORT	

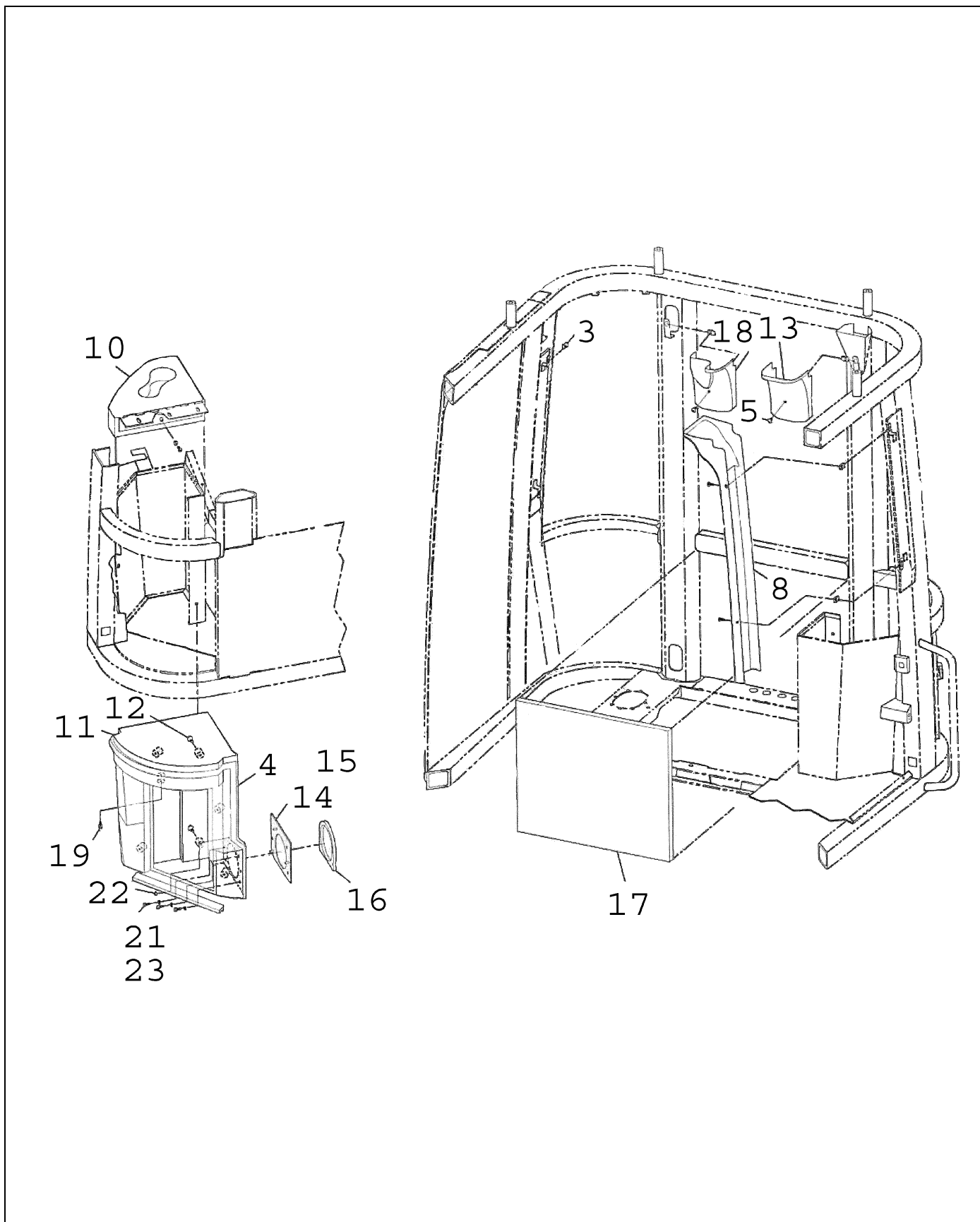


330245.TIF

WIPER

ITEM	PART #	QTY	DESCRIPTION	COMMENTS
1	AG718456	1	WINDSHIELD WASHER	
5	AG330459	AR	HOSE/WINDSHIELD WASHER	
7	AG330460	1	CONNECTOR/HOSE	
9	AG718288	1	KIT-PANTOGRAPH	
10	AG330461	2	WASHER/LOCK .25	
11	AG330462	2	SCREW/.25-28X.75	
12	AG718289	1	WIPER ARM-PANTO	
13	AG718290	1	WIPER BLADE ASM	[A]
18	AG330463	3	CLIP/.687 DIA.	
19	AG330464	3	SCREW/M6X16 HX	
	FOOTNOTE [A]		NOZZLE KIT - AG606844	

INTERIOR TRIM

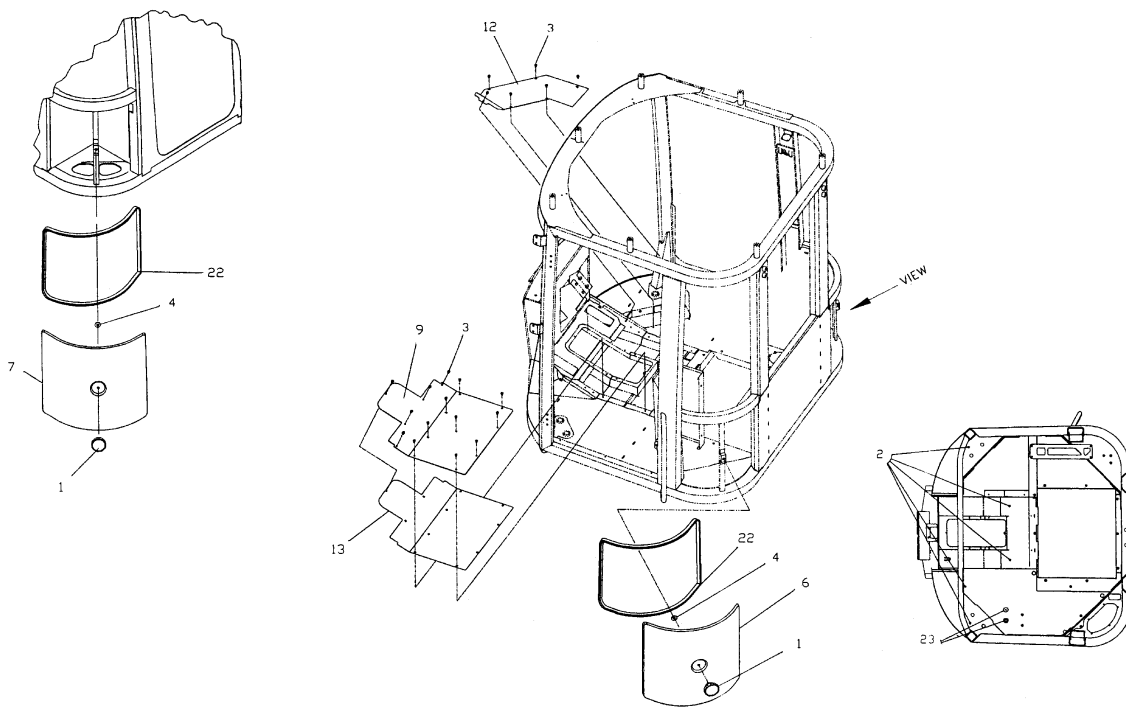


330246.TIF

INTERIOR TRIM

ITEM	PART #	QTY	DESCRIPTION	COMMENTS
3	AG330254	6	PALNUT	
4	AG330465	10	GASKET/BULD SEAL	
5	AG330466	4	SCREW/M6X16	
8	AG330467	1	TRIM/B-POST LH	
10	AG330468	1	LID/BEVERAGE HOLDER	
11	AG330469	1	STORAGE UNIT/LH	
12	AG330255	2	SCREW/M8 HEX FLANGE	
13	AG330471	1	TRIM/C-POST LH .25	
14	AG330472	1	COVER/LH BACKUP	
15	AG330473	6	SEALANT/SOFT PUTTY	
16	AG718315	1	GASKET-INTERFACE	
17	AG718316	1	UPHOLSTERY-REAR	
18	AG330474	1	TRIM/C-POST RH .25	
19	AG330475	1	SCREW/M6 HEX FLANGE	
21	AG330476	3	SCREW/M6 HEX FLANGE	
22	AG330477	3	NUT/TORQUE FLANGE M6	
23	AG330478	3	WASHER/.266 ID	

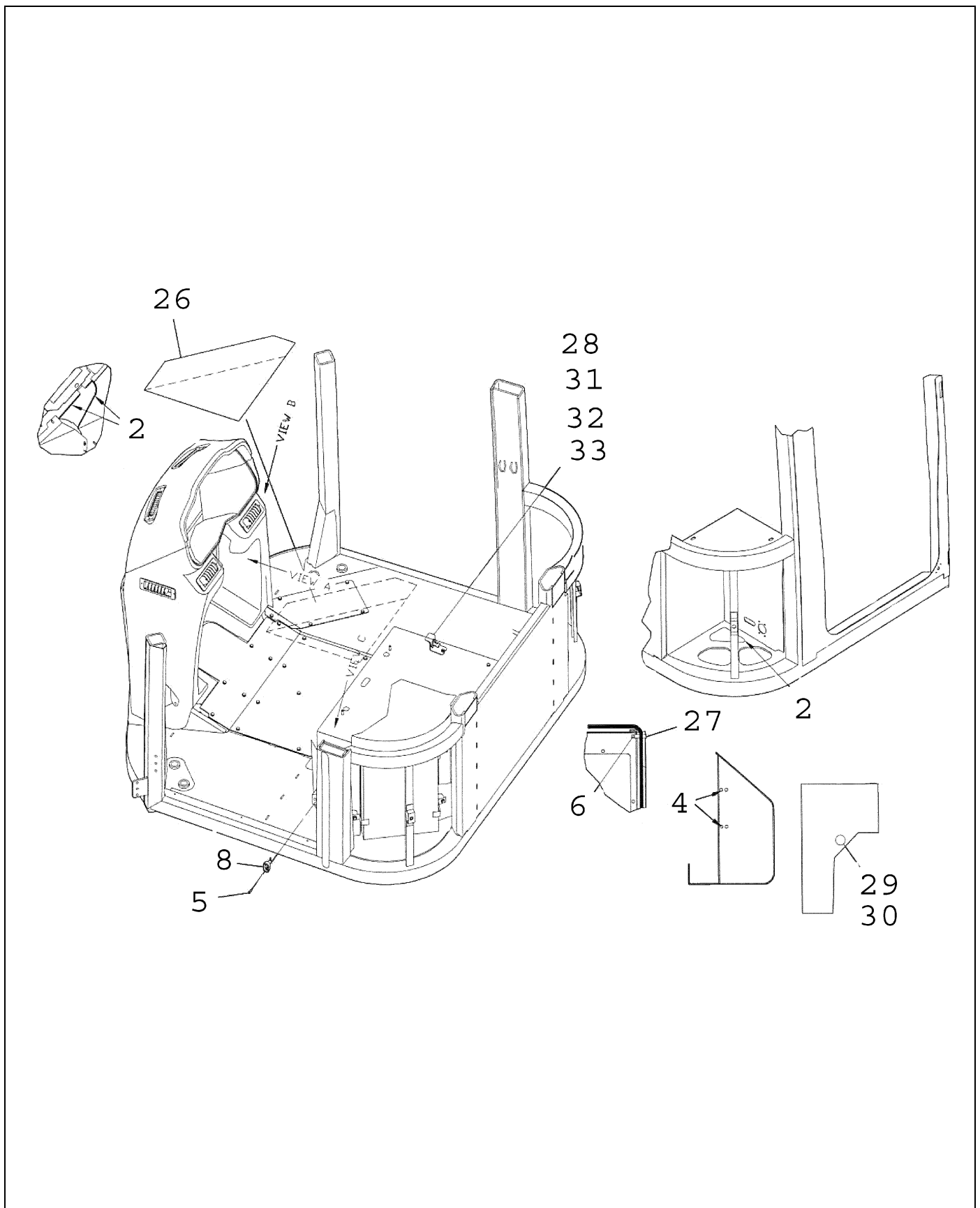
FLOORMATS/COVERS



331312.tif

FLOORMATS/COVERS

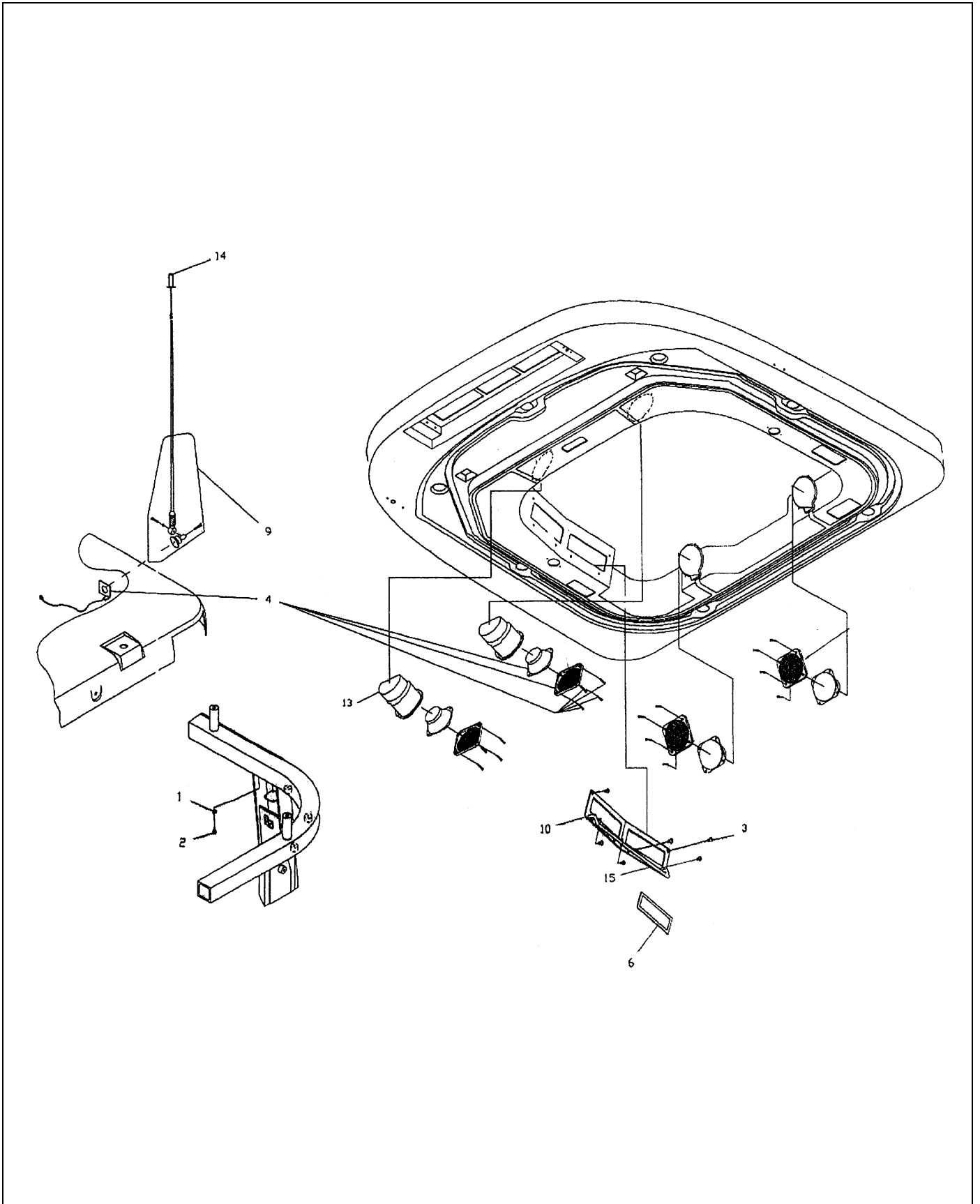
ITEM	PART #	QTY	DESCRIPTION	COMMENTS
1	AG723805	2	KNOB FLATED W/.37-16 STUD	
3	AG330408	20	FRAME/FAN ASM 304 30 IN CONV	
4	AG719383	2	WASHER NYLON	
6	AG718319	1	DOOR-REAR,LH	
7	AG718322	1	DOOR-REAR,RH	
9	AG718325	1	PLATE-THRESHOLD	
12	506983D1	1	PLATE-FLOOR CAB	
13	AG718327	1	GASKET-TRANS ACC	
22	AG718381	14	SEAL-BULB	
23	AG331330	4	DECAL	



330248.TIF

CAB ELECTRICAL

ITEM	PART #	QTY	DESCRIPTION	COMMENTS
2	AG330482	AR	GASKET/PUSH ON	
4	AG330483	8	TIE/6.75 LG	
5	AG330484	1	SCREW/TAPPING	
6	AG330475	1	SCREW/M6 HEX FLANGE	
8	AG719141	1	SWITCH DOOR 8103	
26	AG330485	1	LINER/WIREWAY	
27	AG330486	1	WIRE CLAMP/FRT CNSL	
28	AG330487	1	BRACKET	
29	AG521578	1	RECEPTICLE-POWER,AUXILARY	
30	AG330488	1	PLUG/PLASTIC	
31	AG330489	1	SENSOR	
32	AG330490	1	CLIP	
33	AG330491	1	WASHER/M16	

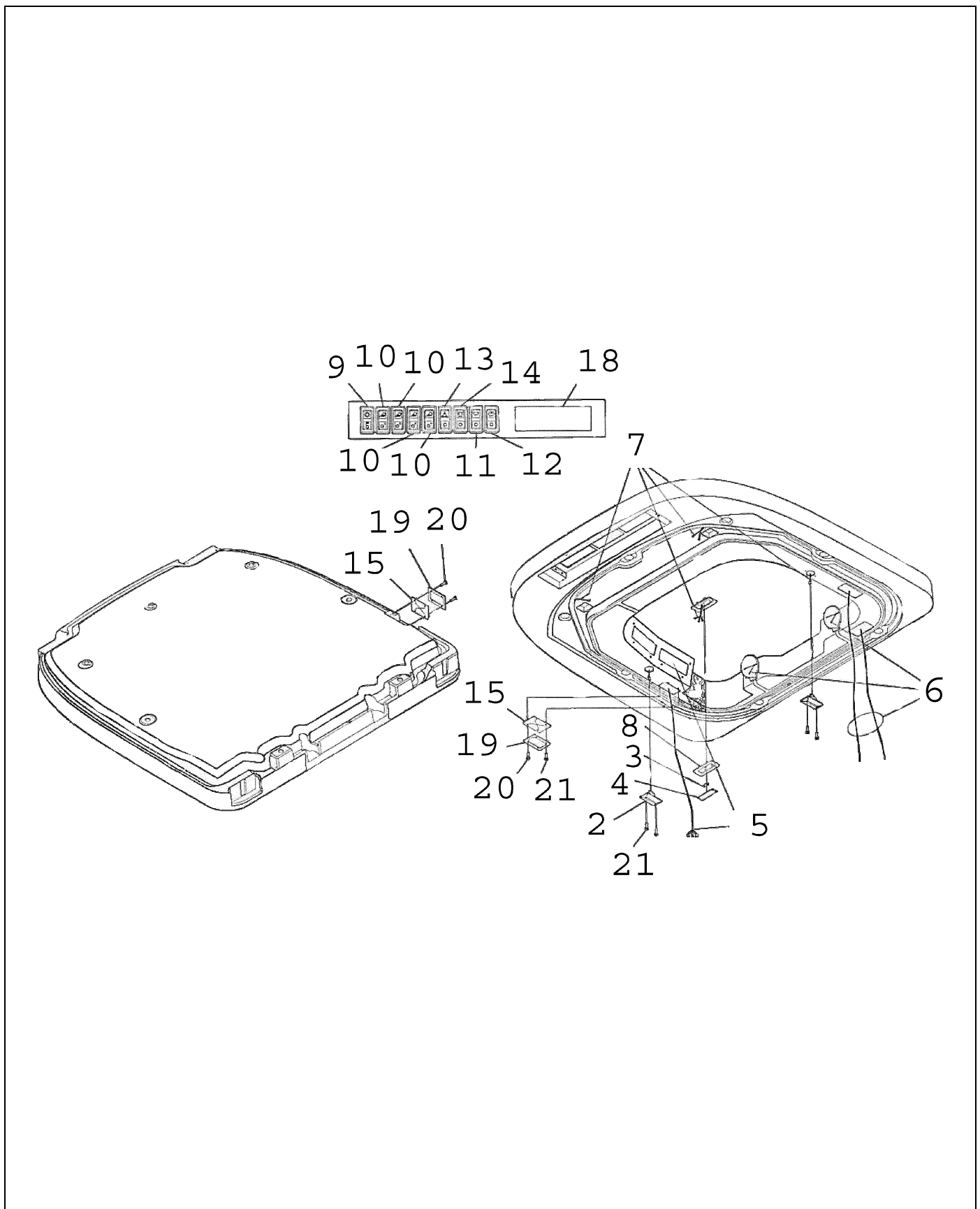


330249.tif

AUDIO

ITEM	PART #	QTY	DESCRIPTION	COMMENTS
1	AG330492	1	WASHER/SS LOCK	
2	AG330493	1	SCREW/HEX M8X16X1.25P SS	
3	AG330494	12	SPEAKER/CONE	
4	AG330466	1	SCREW/M6X16	
6	AG721447	1	PLATE-RADAR FILLER	
9	AG718339	1	ANTENNA-RADIO	
10	AG718340	1	RADIO-BEZEL,PAIN	
14	AG330495	1	SHIELD/PAINT	
15	AG330496	1	HEATER/AC BEZEL LH	

ELECTRICAL ROOF

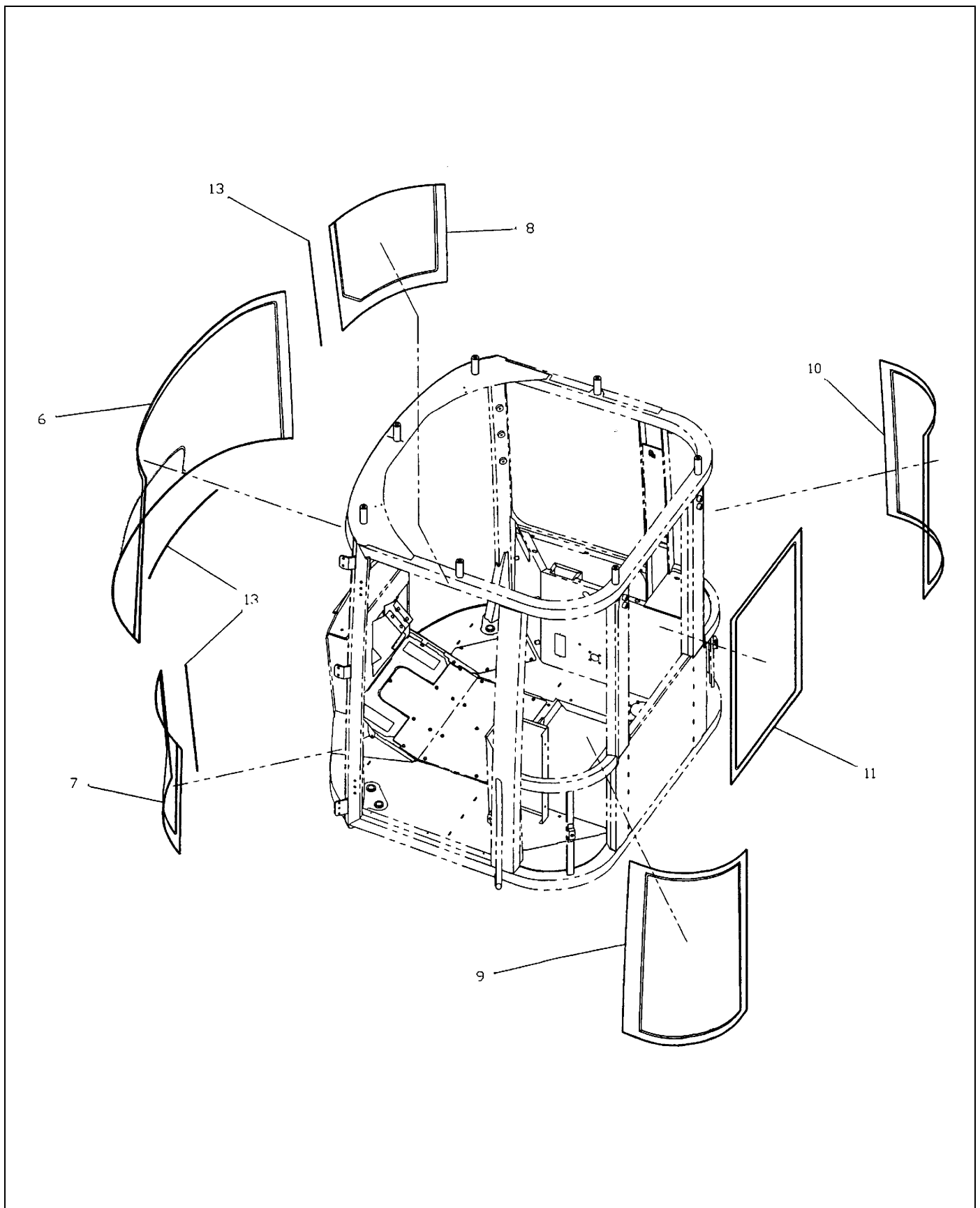


330250.TIF

ELECTRICAL ROOF

ITEM	PART #	QTY	DESCRIPTION	COMMENTS
2	AG725237	2	DOME LIGHT ASSY	
3	AG724807	1	LAMP,12V	
4	AG722838	1	HOUSING-DOME LAMP	
5	AG330497	1	HARNES/ROOF MAIN	
6	AG330498	1	HARNES/ROOF REAR	
7	AG330499	1	HARNES/ROOF FRONT	
8	AG726134	1	BRKT-DOME LIGHT	
9	AG330500	1	SWITCH/ROAD LIGHT	
10	AG330501	4	SWITCH/WORK LIGHT	
11	AG330502	1	SWITCH/WIPER	
12	AG330503	1	SWITCH/WASHER	
13	AG330504	1	SWITCH/HAZARD	
14	AG330505	1	SWITCH/BEACON	
15	AG330506	2	SEAL/RUBBER	
18	AG330507	1	CONTROLS/HVAC	
19	AG330508	2	PLATE/WIRE ACCES	
20	AG330509	6	SCREW/SHT MTL #8 X .62	
21	AG330510	6	SCREW/#6 X 1.00	

CAB GLASS

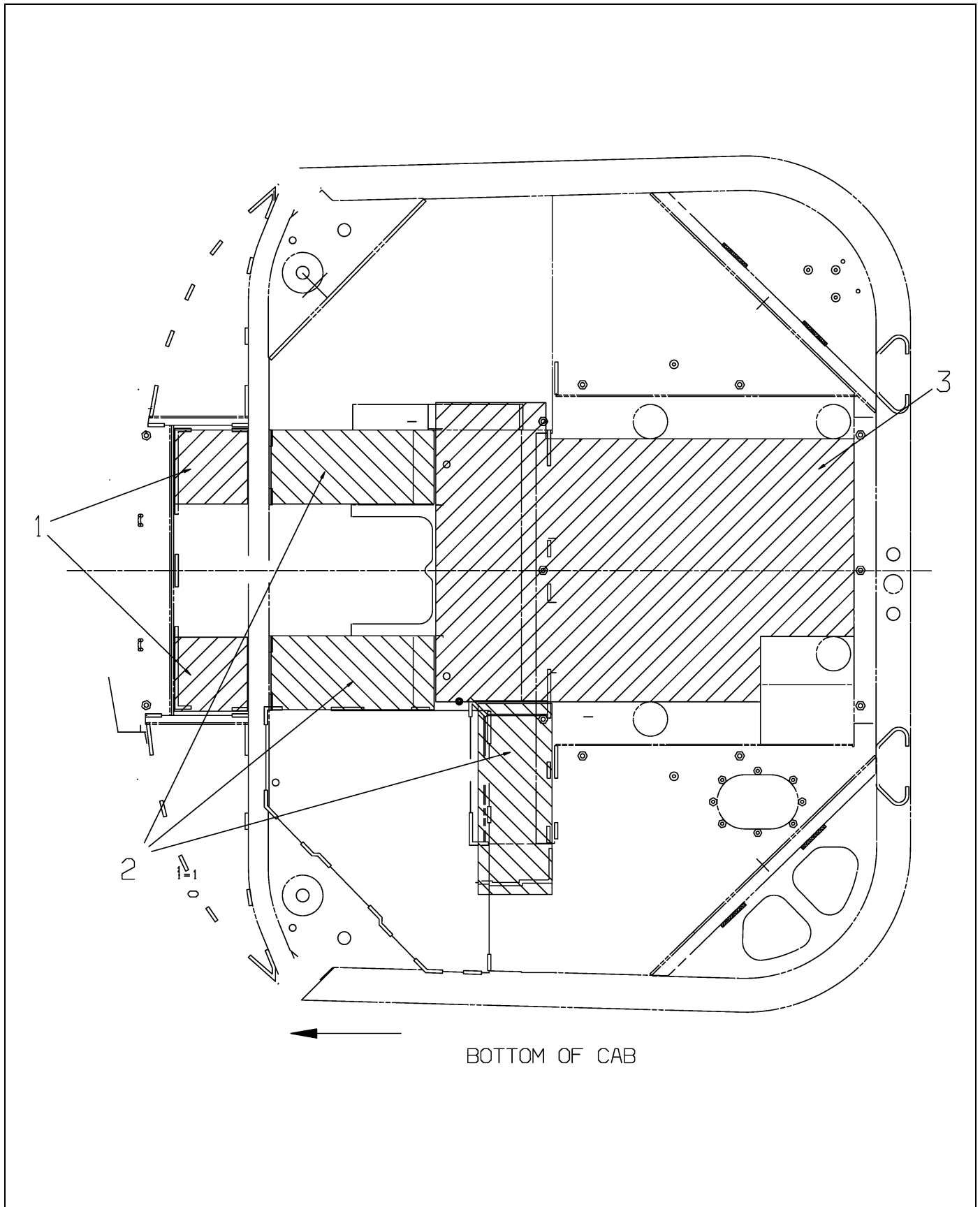


330512.tif

CAB GLASS

ITEM	PART #	QTY	DESCRIPTION	COMMENTS
0	AG718370	AR	H-SEAL,WINDSHIELD	
4	AG725113	40	SPACER-FOR FRONT WINDSHIELD	
6	AG718364	1	GLASS-WINDSHIELD	
7	AG330524	1	GLASS/LH FRT LWR	
8	AG330525	1	GLASS/RH FRT LWR	
9	AG718367	1	GLASS-LH,REAR	
10	AG718368	1	GLASS-RH,REAR	
11	AG718369	1	GLASS-REAR	
13	AG718371	AR	SEAL-WINDOW GLASS	

BARRIER INSTL-HEAT

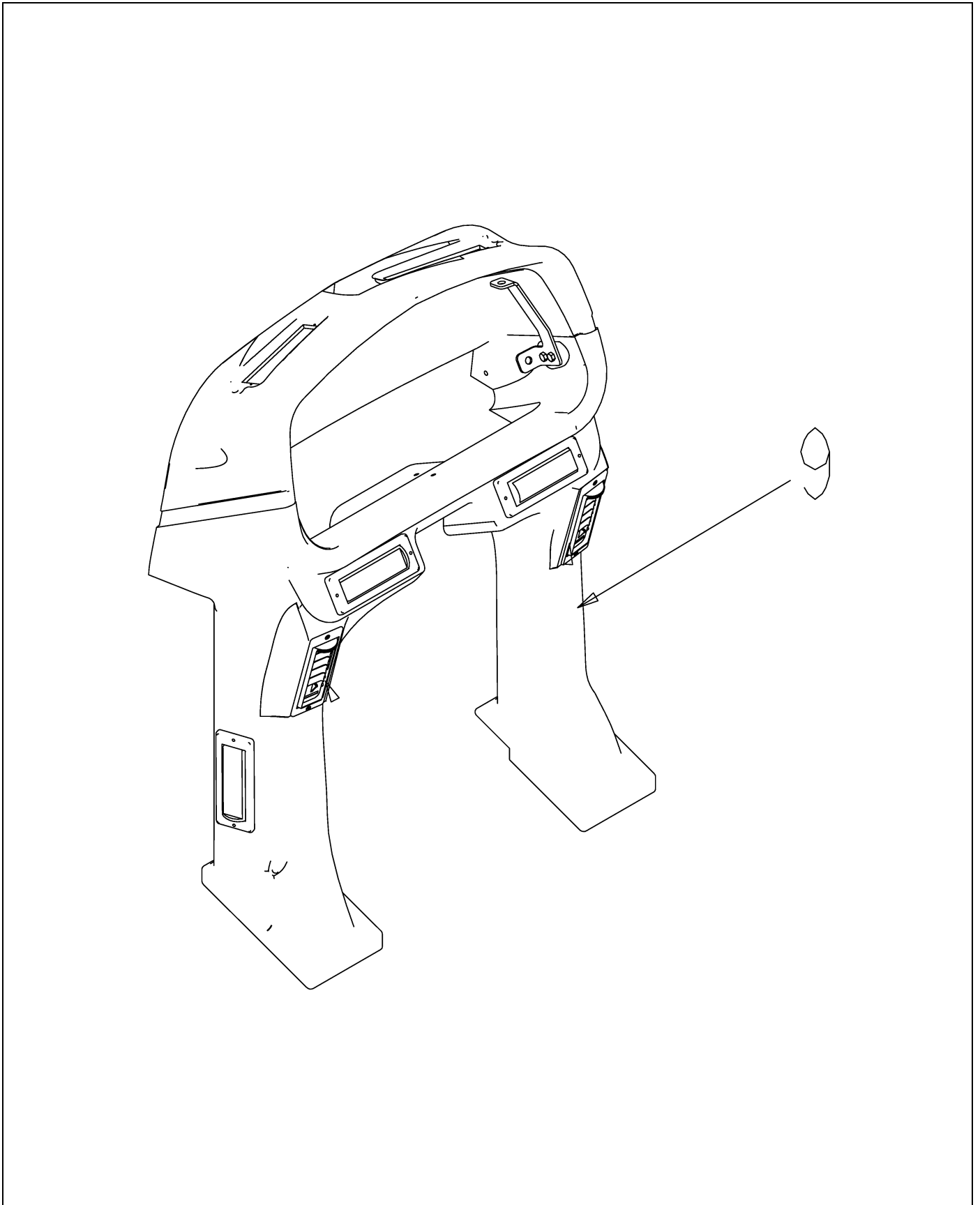


425230-A-H735-.TIF

BARRIER INSTL-HEAT

ITEM	PART #	QTY	DESCRIPTION	COMMENTS
1	AG263105	2	BARRIER-HEAT,CAB,FRONT	
2	AG328660	3	BARRIER-HEAT,CAB,DUCT	
3	AG328661	1	BARRIER-HEAT,CAB,REAR	

CAB ASSY-ROGATOR

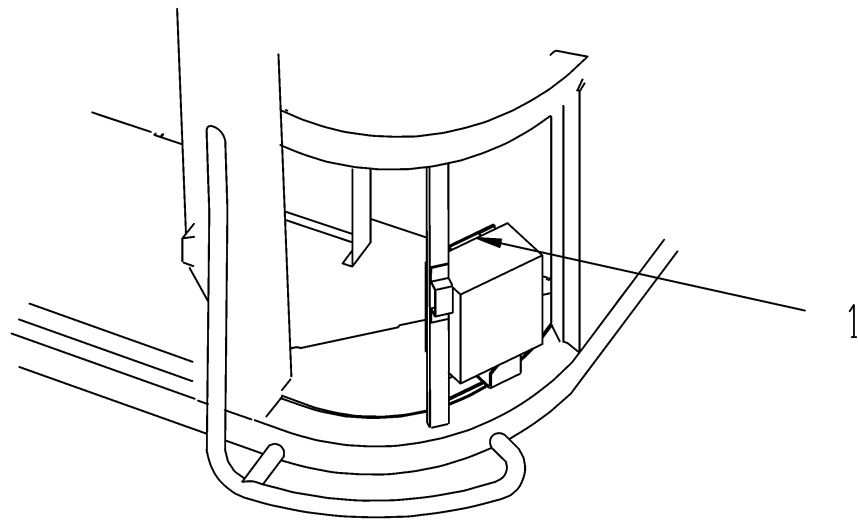


516505D1-01-R015-04.TIF

CAB ASSY-ROGATOR

ITEM	PART #	QTY	DESCRIPTION	COMMENTS
0	AG331706	9	PLUG/PLASTIC- REAR	
0	AG330479	14	PLUG/BUTTON 50 HOLE	
1	AG131425	1	HARNESS-ROOF,MAIN	
2	AG132631	1	HARNESS-ROOF,INNER,REAR	
3	AG132641	1	HARNESS-ROOF,INNER,FRONT	
4	AG425041	1	SOLENOID INSTL-HORN,AIR	SEE PAGE 6-19
5	AG523347	1	FILTER-AIR,NEW CAB,RECIRC	
6	AG523348	1	FILTER-AIR,NEW CAB,VAPOR/DUST	
7	513965D1	1	ANTENNA-RADIO	
8	505828D1	1	INNER ROOF	
9	508989D1	1	CONSOLE-FRONT,CRENLO 129198	
10	516507D1	1	DOOR ASM-LH	

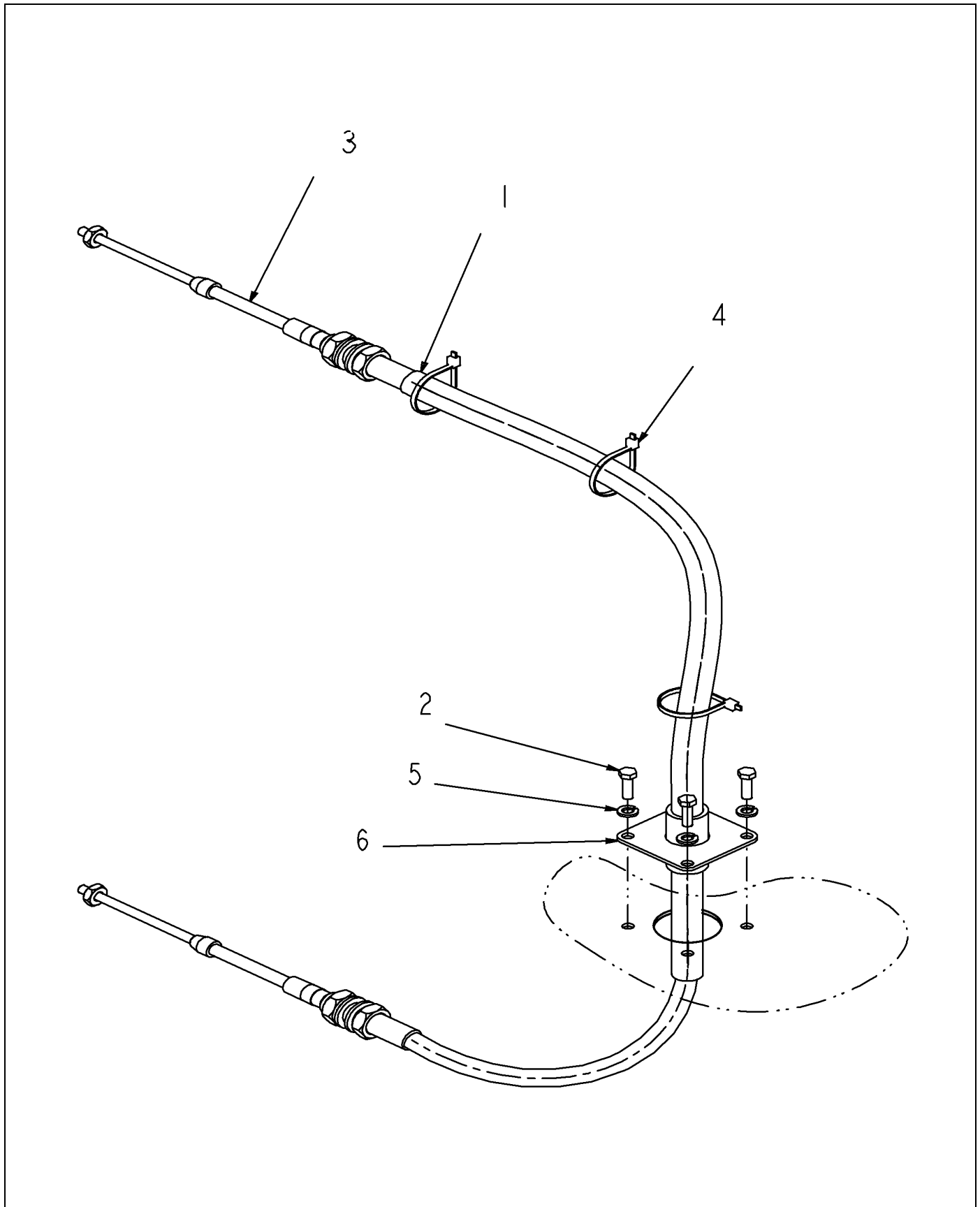
WINDSHIELD WASH-FLUID FILL



120485-A-1.TIF

WINDSHIELD WASH-FLUID FILL

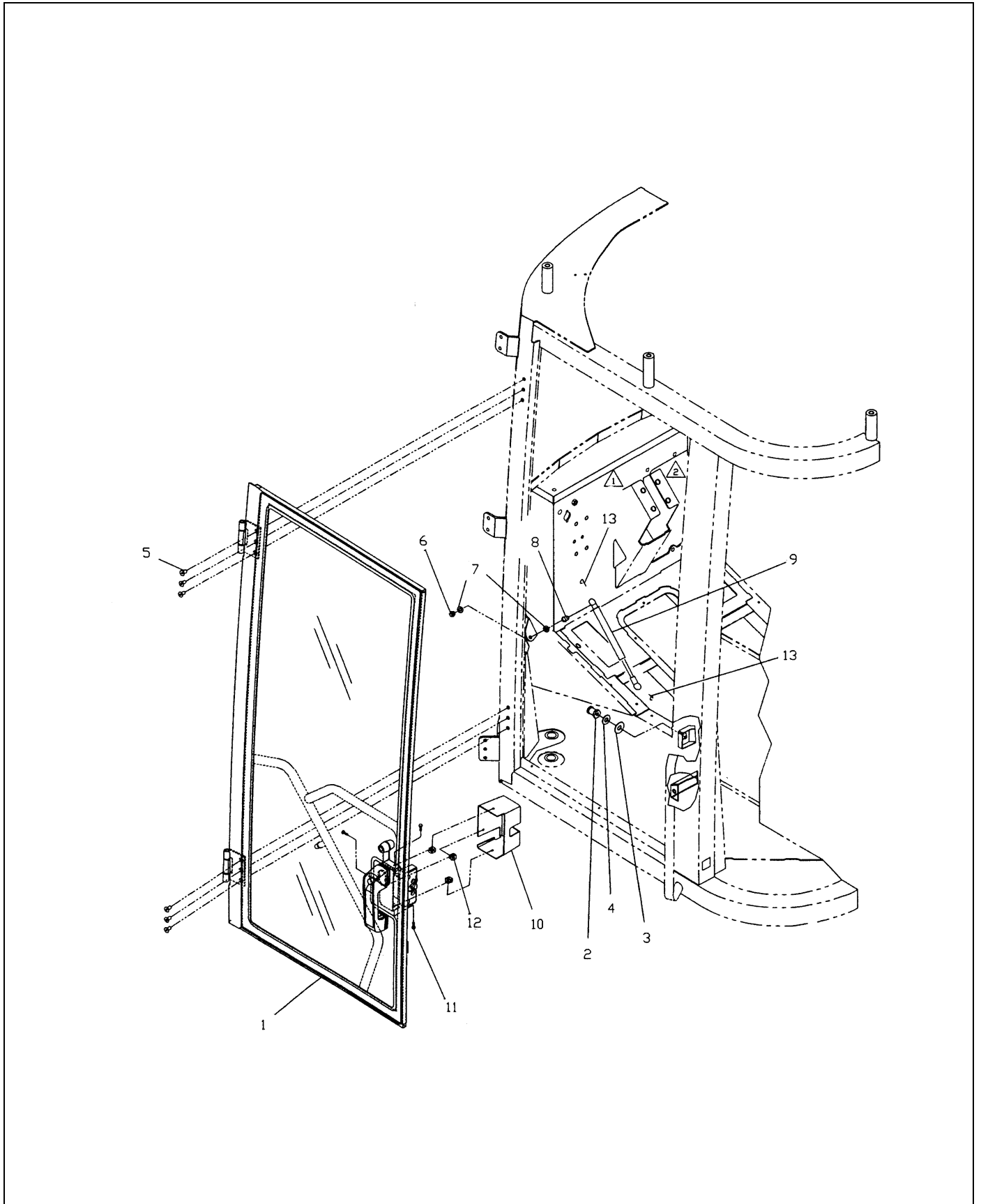
ITEM	PART #	QTY	DESCRIPTION	COMMENTS
1	AG524510	-	FLUID-WINDSHIELD WASHER [BULK: 0.250 GA]	



505490D1-03-N247-.TIF

BLKHD INSTL-CABLE,HYDRO

ITEM	PART #	QTY	DESCRIPTION	COMMENTS
1	AG237566	1	HOSE RWK-VINYL,CLEAR	
2	AG520745	4	BOLT-M6-1.0X20,,SS,HHD	
3	AG521284	-	CABLE-PUSH/PULL,105.00,4.00TRV	
4	AG553557	AR	TIE CABLE 7.37 .06-1.37 BLACK	
6	505489D1	1	PLATE WLDMT-BLKHD,HYDRO CABLE	
6	AG562792	4	WASHER LOCK M6 SPRING ZN	

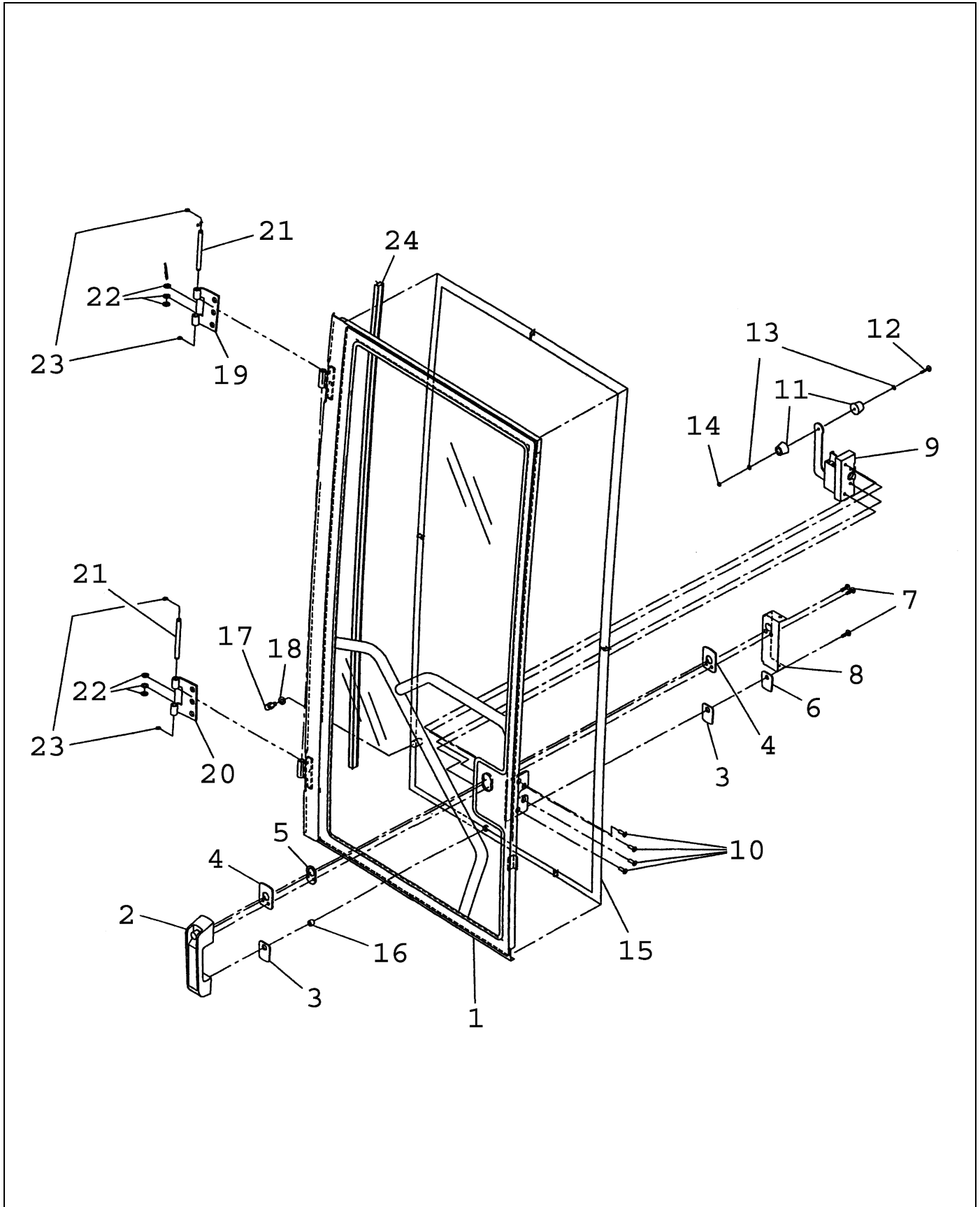


330511.TIF

DOOR INSTL

ITEM	PART #	QTY	DESCRIPTION	COMMENTS
1	516507D1	1	DOOR ASM-LH	
2	AG718354	1	STRIKER-BOLT,FEMALE	
3	AG718355	1	SHIM-DOOR STRIKE	
4	AG718356	1	SHIM-.06X.50,ID	
5	AG725132	6	SCREW,M8X1.25	
6	AG718357	1	NUT-STOP,NYLON,M	
7	AG718358	2	WASHER-FLAT,#8	
8	AG718404	1	STUD-BALL,M13	
9	AG718361	1	GAS SPRING-DOOR	
10	AG138062	1	COVER/DOOR LATCH	
11	AG138063	3	SCREW/#10-32X5/8 PH BLK	
12	AG138064	3	AHWX-092-003219	
13	AG718362	2	RING-SAFETY	

DOOR ASM

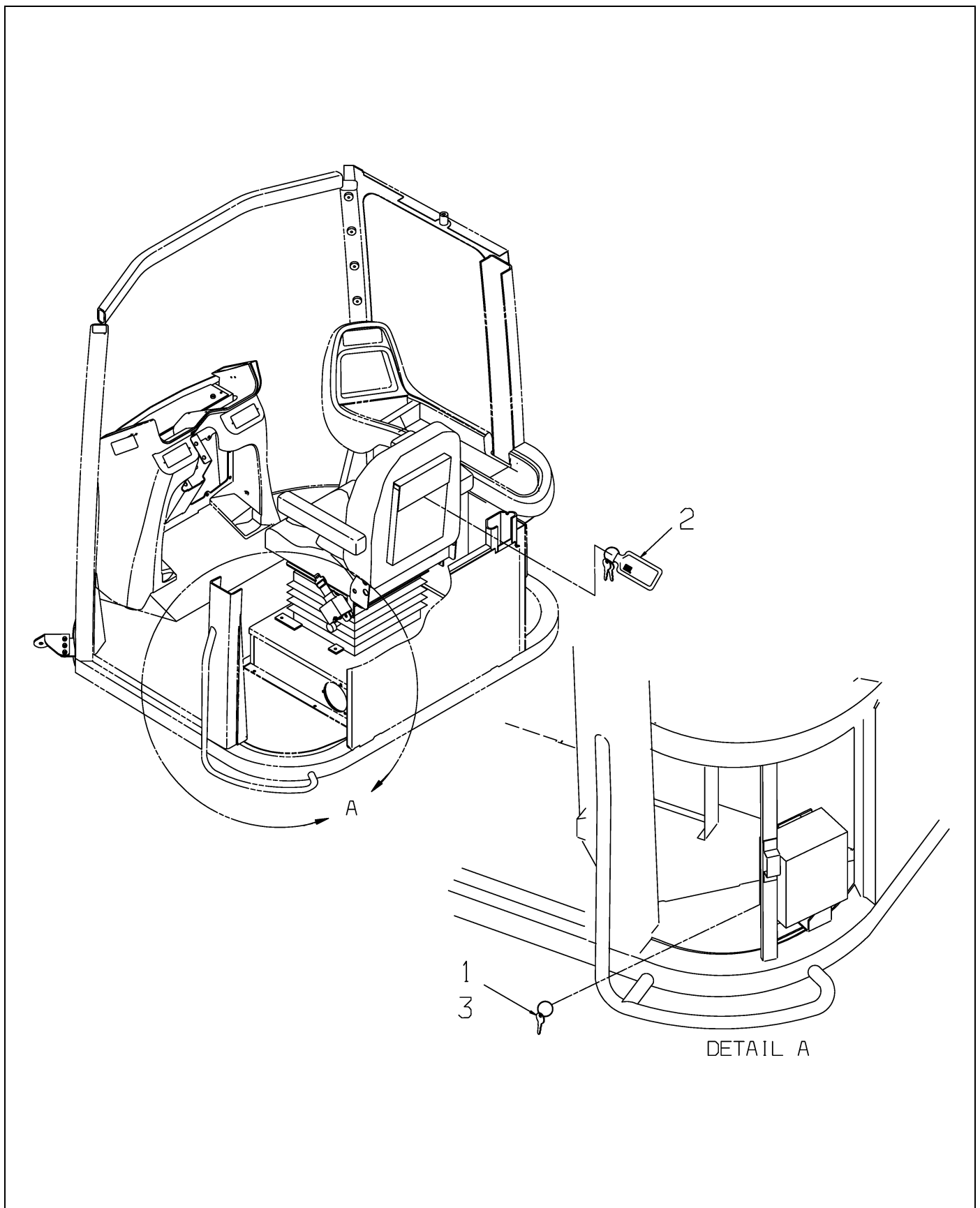


725126.TIF

DOOR ASM

ITEM	PART #	QTY	DESCRIPTION	COMMENTS
1	516506D1	1	DOOR ASM-LH	
2	AG131377	1	HANDLE/DOOR	
3	AG718348	2	GASKET-DOOR HANDLE	
4	AG718349	2	GASKET-DOOR HANDLE	
5	AG718356	1	SHIM-.06X.50,ID	
6	AG718395	1	SPACER-DOOR HANDLE	
7	AG727483	3	SCREW/M6X20	
8	AG718394	1	BRACKET-PAINTED,RH	
9	AG718396	1	LATCH,RH	
10	AG718397	4	SCREW-BOTTOM	
11	AG718351	2	KNOB-LATCH HANDLE	
12	AG718399	1	SCREW-RDHD MACHINE	
13	AG718400	2	WASHER	
14	AG718401	1	NUT-HEX,#8-32TH	
15	AG718402	1	GASKET-DOOR	
16	AG718403	1	SPACER-WINDOW DO	
17	AG718404	1	STUD-BALL,M13	
18	AG718358	1	WASHER-FLAT,#8	
19	AG718405	1	HINGE ASM-UPPER	
20	AG718406	1	HINGE ASM-LOWER	
21	AG718407	2	PIN-DOOR HINGE	
22	AG718408	6	SPACER-BODY DOOR	
23	AG718352	4	RING-RETAINER	

KIT-EXTRA KEY

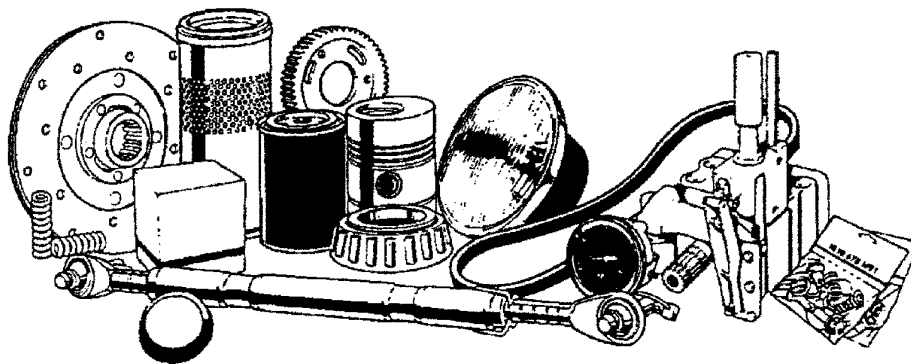


413123-B-H456-.TIF

KIT-EXTRA KEY

ITEM	PART #	QTY	DESCRIPTION	COMMENTS
1	AG120354	1	KEY RWK	SEE PAGE 7-86
2	AG523691	1	KEYCHAIN-LEATHER	
3	AG559024	1	TIE CABLE 15.0 .06-4.00 BLACK	

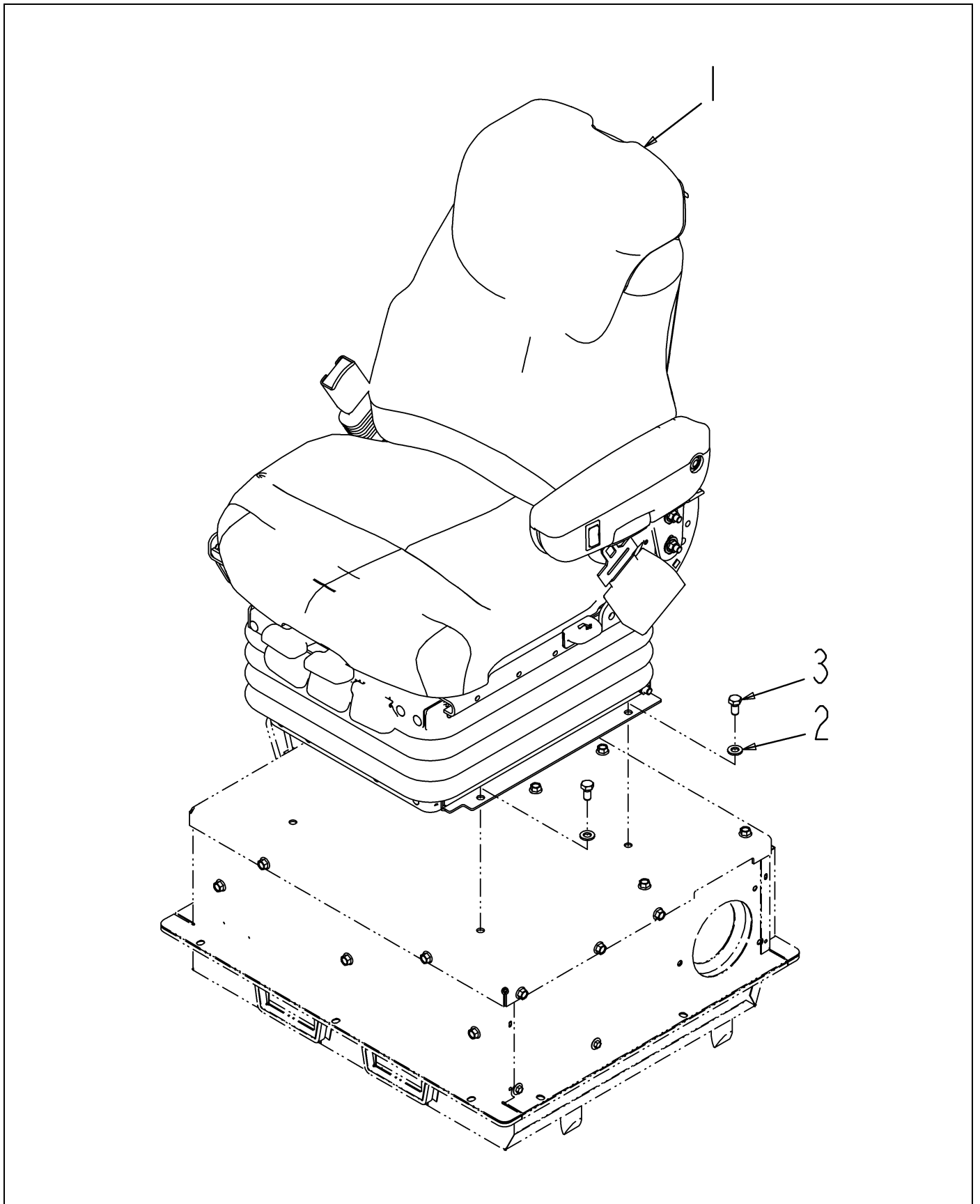
**Please refer to the
Bill Of Material
on the opposite page
for related Installations,
Assemblies, or Parts**



120354-A.TIF

KEY RWK

ITEM	PART #	QTY	DESCRIPTION	COMMENTS
1	AG524244	1	KEY-BLANK	

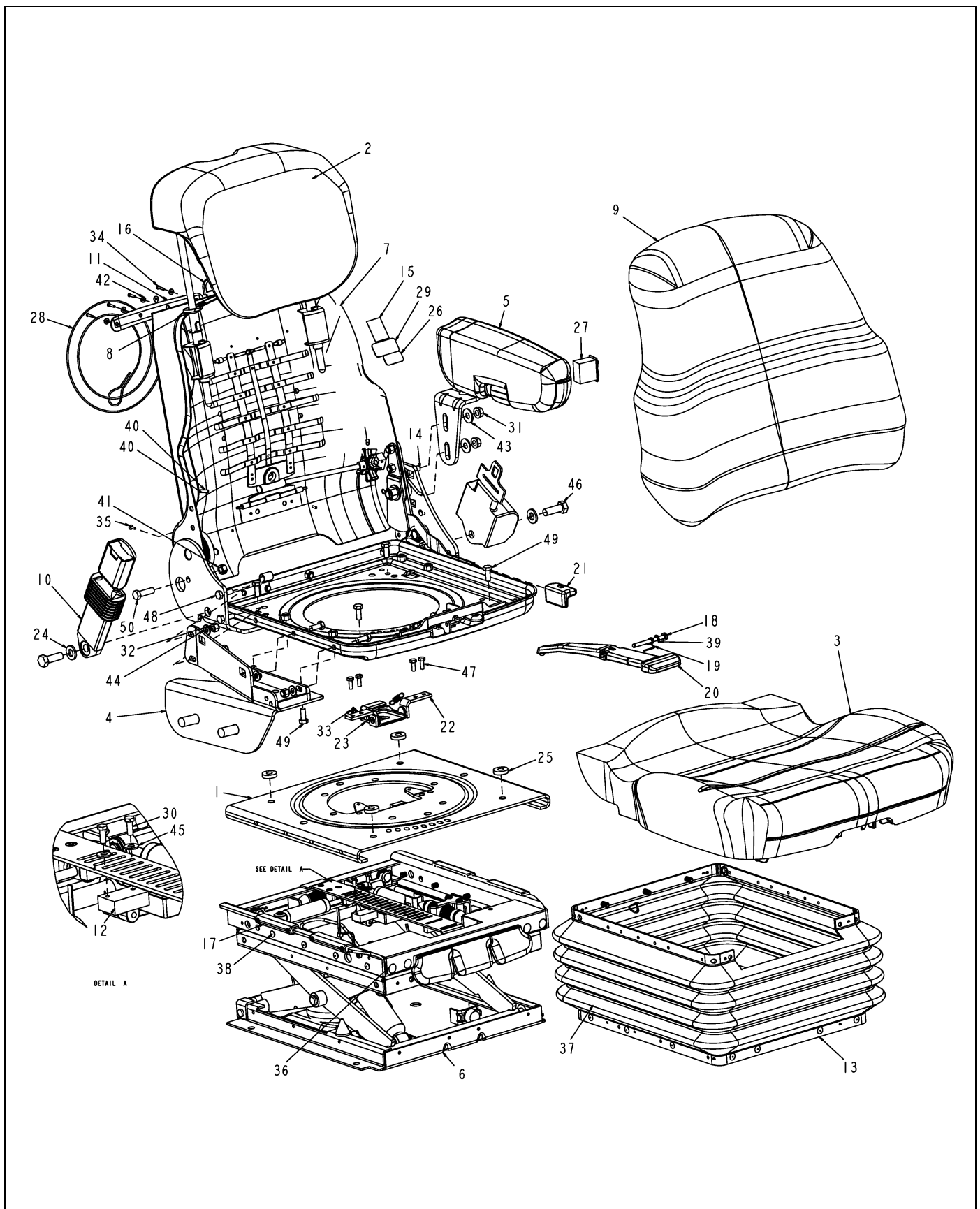


507624D1-01-K970.TIF

SEAT INSTL-BASIC

ITEM	PART #	QTY	DESCRIPTION	COMMENTS
1	507626D1	1	SEAT ASM-BASIC,AIR	SEE PAGE 7-88
2	CH6V-5839	4	WASHER-HARD 11IDX21ODX2.5MM	
3	400167X1	4	BOLT-M10X1.5X20 PH&O HHD 10.9	

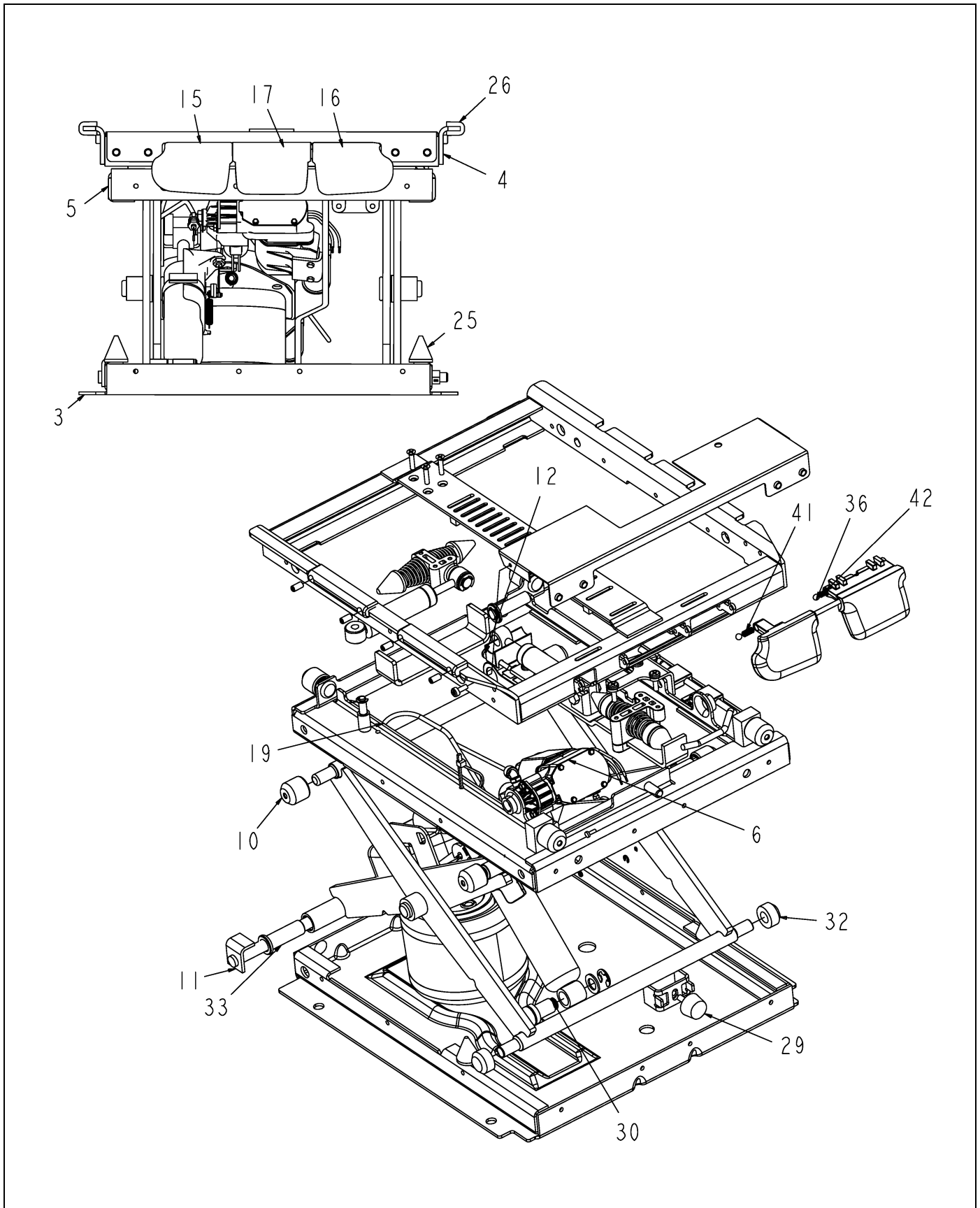
SEAT ASM-BASIC,AIR



507626D1-02-N445-02.TIF

SEAT ASM-BASIC,AIR

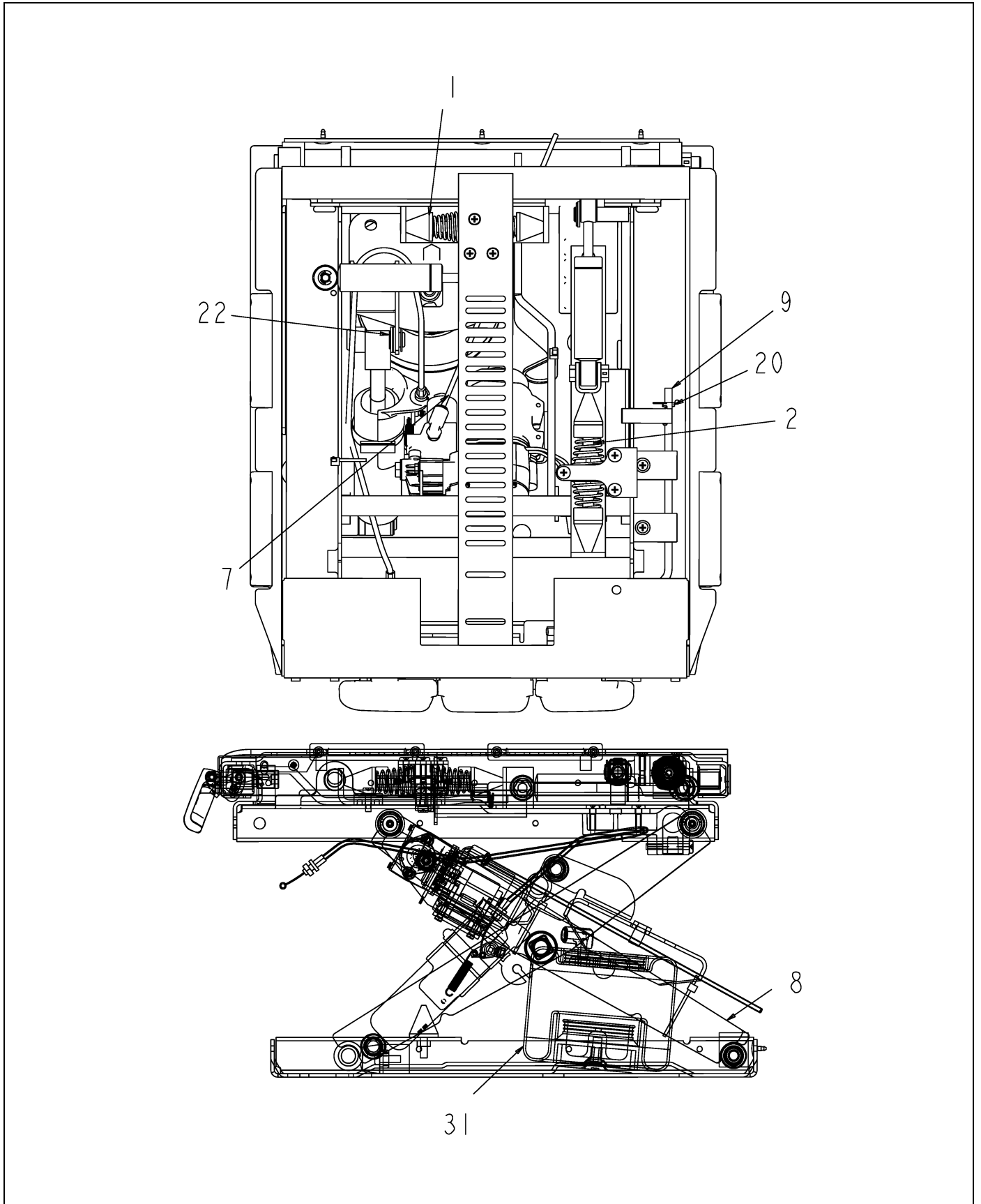
ITEM	PART #	QTY	DESCRIPTION	COMMENTS
0	197-4521	1	KIT-RECLINER KNOB	
2	508234D1	1	KIT-BACK,UPPER	SEE PAGE 7-100
3	508236D1	1	KIT-CUSHION,SEAT,SST	SEE PAGE 7-96
4	502927D1	1	KIT-BRACKET AS. (CONSOLE RH)	
5	502928D1	1	KIT-ARM REST AS. (LH)	SEE PAGE 7-97
6	501900D1	1	KIT-SUSPENSION GP (SEAT)	SEE PAGE 7-99
7	508230D1	1	KIT-SEAT TOP, SST	SEE PAGE 7-98
9	508258D1	1	KIT-CUSHION,BACK,SST	
10	197-4527	1	KIT - SEAT BELT	
11	501899D1	1	KIT-MANUAL HOLDER	
12	513835D1	1	KIT-SLIDE STOP	
13	197-4546	1	KIT-BOOT	
14	502928D1	2	KIT-ARM REST AS. (LH)	SEE PAGE 7-97
16	501899D1	1	KIT-MANUAL HOLDER	
17	501902D1	1	KIT-HARNESS (SUSPENSION)	
18	197-4526	1	KIT-LEVER AS.	
18	197-4525	1	KIT-LEVER AS.	
19	197-4525	1	KIT-LEVER AS.	
20	197-4526	1	KIT-LEVER AS.	
21	197-4521	1	KIT-RECLINER KNOB	
21	197-4520	1	KIT-RECLINER AS.	
22	197-4529	1	KIT-SLIDE LATCH AS.	
23	197-4529	1	KIT-SLIDE LATCH AS.	
27	197-4519	1	KIT - SWITCH AS.	
27	502928D1	1	KIT-ARM REST AS. (LH)	SEE PAGE 7-97
31	502928D1	2	KIT-ARM REST AS. (LH)	SEE PAGE 7-97
33	197-4529	2	KIT-SLIDE LATCH AS.	
34	501899D1	4	KIT-MANUAL HOLDER	
36	197-4544	4	KIT-BOOT BUTTONS	
37	197-4544	3	KIT-BOOT BUTTONS	
38	197-4544	22	KIT-BOOT BUTTONS	
39	197-4526	1	KIT-LEVER AS.	
42	501899D1	4	KIT-MANUAL HOLDER	
43	502928D1	2	KIT-ARM REST AS. (LH)	SEE PAGE 7-97



137715-A-1.TIF

ASM/SUSP. AIR 2000

ITEM	PART #	QTY	DESCRIPTION	COMMENTS
0	AG332240	-	DAMPER/FORE-AFT-ISOLATER	
0	AG332239	-	DAMPER/INFINITE ADJUSTABLE	
3	AG137817	1	WLDMT/HOUSING LOWER	
6	AG137818	1	ASM/COMPRESSOR W/SOLENOID	
10	AG137801	8	ROLLER ASM/DELTRIN WIDE	
11	AG137802	1	WLDMT/SHAFT BEARING	
12	AG137803	1	SPACER/IOLATER	
15	AG137821	1	KNOB/ADJ SHOCK	
16	AG137807	1	KNOB/FOR-AFT ISOLATER BLACK	
17	AG137808	1	KNOW/LATERAL ISOLATER	
19	AG137822	1	CABLE/ADJ SHOCK ABSORBER	
25	AG137810	2	BUMPER/DOWNSTOP	
26	AG137811	4	PUCK/SLIDER ADJ	
29	AG137812	1	BUMPER	
30	AG137825	1	BEARING/SHOCK ABSORBER	
36	AG137814	4	BEARING/BALL .255 IN DIA	
41	AG137816	1	SPRING/COMPRESSION	
42	AG137718	3	SPRING/COMPRESSION	

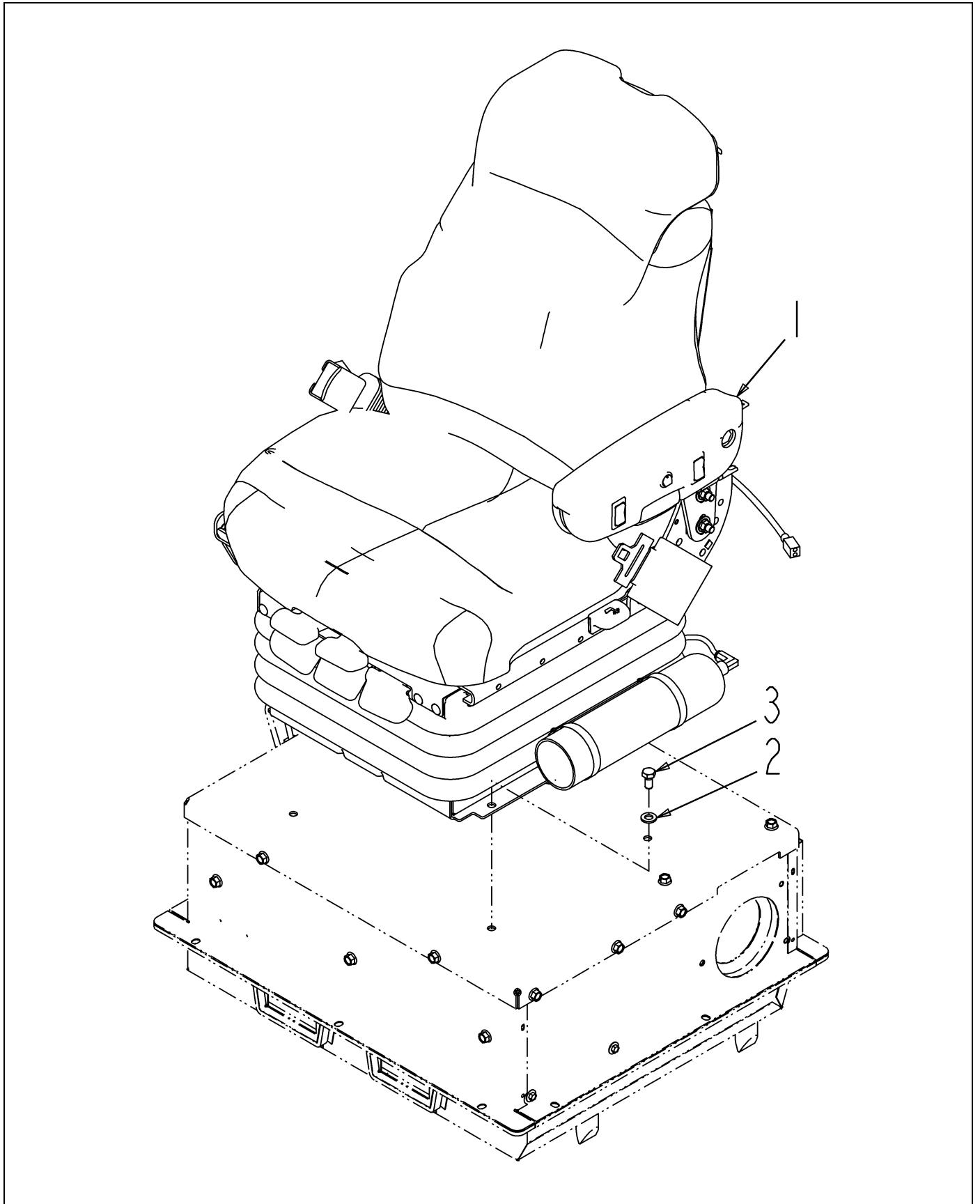


137715-A-2.TIF

ASM/SUSP. AIR 2000

ITEM	PART #	QTY	DESCRIPTION	COMMENTS
1	AG137794	1	ASM/SPRING ISOLATER	
7	AG137819	1	SHOCK/BRKT ASM	
8	AG137820	1	WLDMT/ARM SUSPENSION	
9	AG137800	1	WLDMT/LEVER	
20	AG137823	1	SPRING	
22	AG137824	1	SLEEVE/SHOCK UPPDER BRNG	
31	AG137813	1	AIRSPRING	

SEAT INSTL-DELUXE

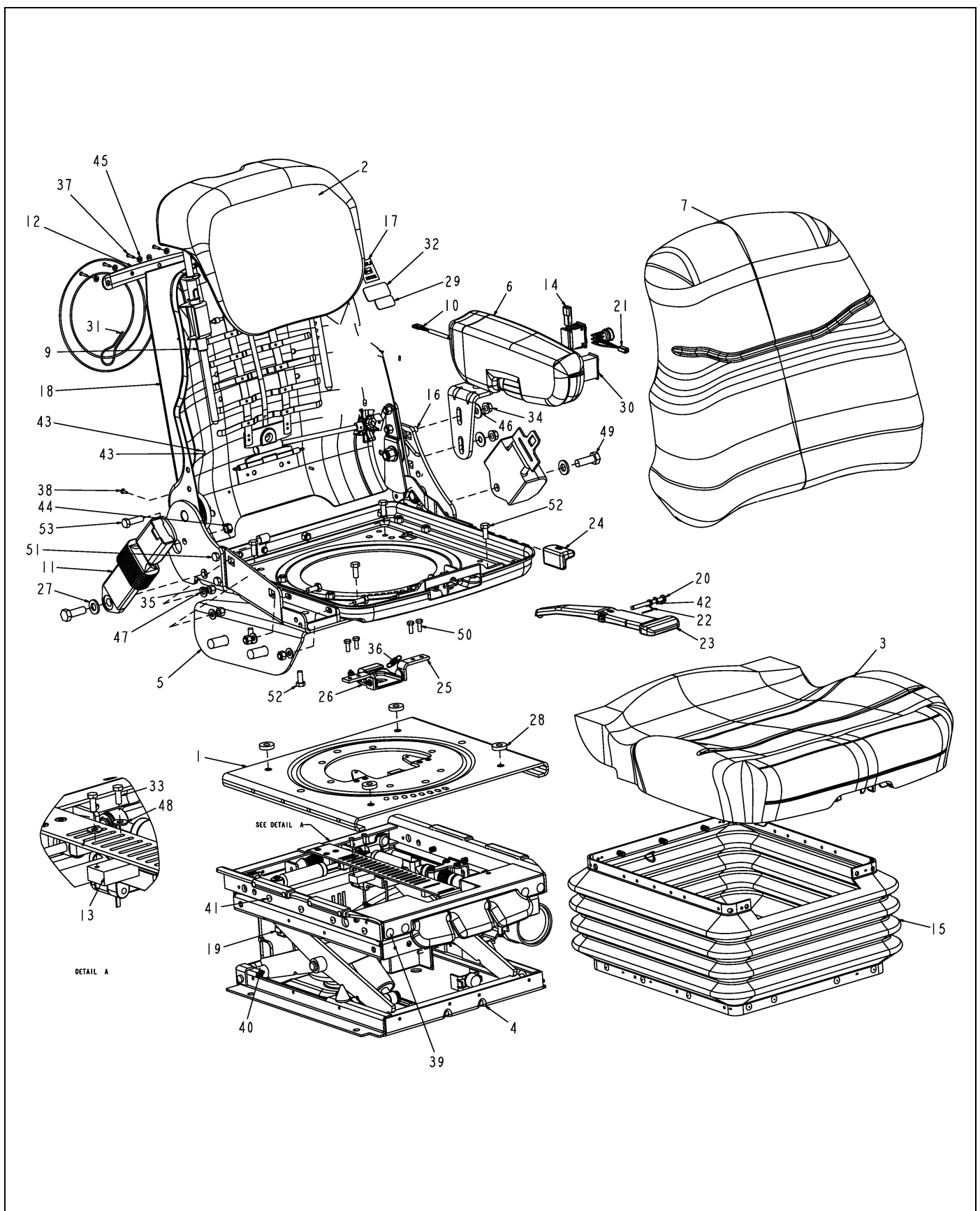


507625D1-01-K970.TIF

SEAT INSTL-DELUXE

ITEM	PART #	QTY	DESCRIPTION	COMMENTS
1	507627D1	1	SEAT ASM-DELUXE,SEMI ACTIVE	SEE PAGE 7-92
2	CH6V-5839	4	WASHER-HARD 11IDX21ODX2.5MM	
3	400167X1	4	BOLT-M10X1.5X20 PH&O HHD 10.9	

SEAT ASM-DELUXE, SEMI ACTIVE

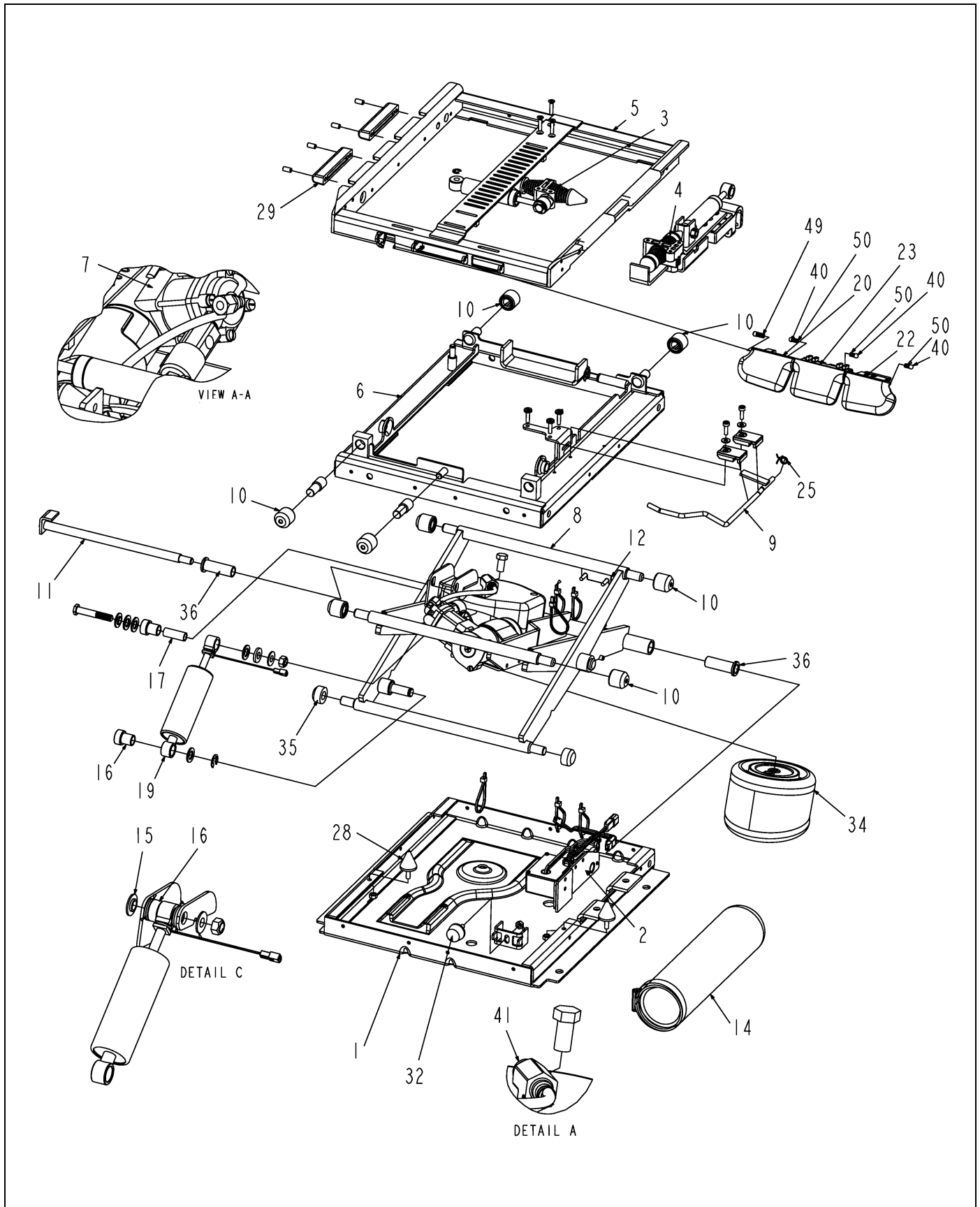


507627D1-02-N445-02.TIF

SEAT ASM-DELUXE,SEMI ACTIVE

ITEM	PART #	QTY	DESCRIPTION	COMMENTS
0	197-4519	1	KIT - SWITCH AS.	
0	513835D1	1	KIT-SLIDE STOP	
0	197-4520	1	KIT-RECLINER AS.	
0	508237D1	1	KIT-CUSHION,SEAT,SST	
0	197-4521	1	KIT-RECLINER KNOB	
0	508234D1	1	KIT-BACK,UPPER	SEE PAGE 7-100
0	197-4525	1	KIT-LEVER AS.	
0	508233D1	1	KIT-SUSPENSION,SEMI ACTIVE	SEE PAGE 7-94
0	508230D1	1	KIT-SEAT TOP, SST	SEE PAGE 7-98
0	502929D1	1	KIT-SWITCH AS. (HEATER)	
0	197-4526	1	KIT-LEVER AS.	
0	502928D1	1	KIT-ARM REST AS. (LH)	SEE PAGE 7-97
0	502927D1	1	KIT-BRACKET AS. (CONSOLE RH)	
0	197-4527	1	KIT - SEAT BELT	
0	501911D1	1	KIT-BACK CUSHION AS.	
0	197-4529	1	KIT-SLIDE LATCH AS.	
0	501902D1	1	KIT-HARNES (SUSPENSION)	
0	501900D1	1	KIT-SUSPENSION GP (SEAT)	SEE PAGE 7-99
0	501899D1	1	KIT-MANUAL HOLDER	
0	197-4544	1	KIT-BOOT BUTTONS	
0	197-4546	1	KIT-BOOT	
2	508234D1	-	KIT-BACK,UPPER	SEE PAGE 7-100
3	508237D1	-	KIT-CUSHION,SEAT,SST	
4	508233D1	-	KIT-SUSPENSION,SEMI ACTIVE	SEE PAGE 7-94
5	502927D1	-	KIT-BRACKET AS. (CONSOLE RH)	
6	502928D1	-	KIT-ARM REST AS. (LH)	SEE PAGE 7-97
7	501911D1	-	KIT-BACK CUSHION AS.	
8	508230D1	-	KIT-SEAT TOP, SST	SEE PAGE 7-98
10	502928D1	-	KIT-ARM REST AS. (LH)	SEE PAGE 7-97
11	197-4527	-	KIT - SEAT BELT	
12	501899D1	-	KIT-MANUAL HOLDER	
13	513835D1	-	KIT-SLIDE STOP	
14	502928D1	-	KIT-ARM REST AS. (LH)	SEE PAGE 7-97
15	197-4546	-	KIT-BOOT	
16	502928D1	-	KIT-ARM REST AS. (LH)	SEE PAGE 7-97
18	501899D1	-	KIT-MANUAL HOLDER	
19	501902D1	-	KIT-HARNES (SUSPENSION)	
20	197-4526	-	KIT-LEVER AS.	
20	197-4525	-	KIT-LEVER AS.	
21	502928D1	-	KIT-ARM REST AS. (LH)	SEE PAGE 7-97
21	502929D1	-	KIT-SWITCH AS. (HEATER)	
22	197-4525	-	KIT-LEVER AS.	
23	197-4525	-	KIT-LEVER AS.	
24	197-4521	-	KIT-RECLINER KNOB	
24	197-4520	-	KIT-RECLINER AS.	
25	197-4529	-	KIT-SLIDE LATCH AS.	
26	197-4529	-	KIT-SLIDE LATCH AS.	
30	502928D1	-	KIT-ARM REST AS. (LH)	SEE PAGE 7-97
30	197-4519	-	KIT - SWITCH AS.	
34	502928D1	-	KIT-ARM REST AS. (LH)	SEE PAGE 7-97
36	197-4529	-	KIT-SLIDE LATCH AS.	
37	501899D1	-	KIT-MANUAL HOLDER	
38	501899D1	-	KIT-MANUAL HOLDER	
39	197-4544	-	KIT-BOOT BUTTONS	
40	197-4544	-	KIT-BOOT BUTTONS	
41	197-4544	-	KIT-BOOT BUTTONS	
42	197-4526	-	KIT-LEVER AS.	
45	501899D1	-	KIT-MANUAL HOLDER	
46	502928D1	-	KIT-ARM REST AS. (LH)	SEE PAGE 7-97

ASM/SUSPENSION SEMI ACTIVE

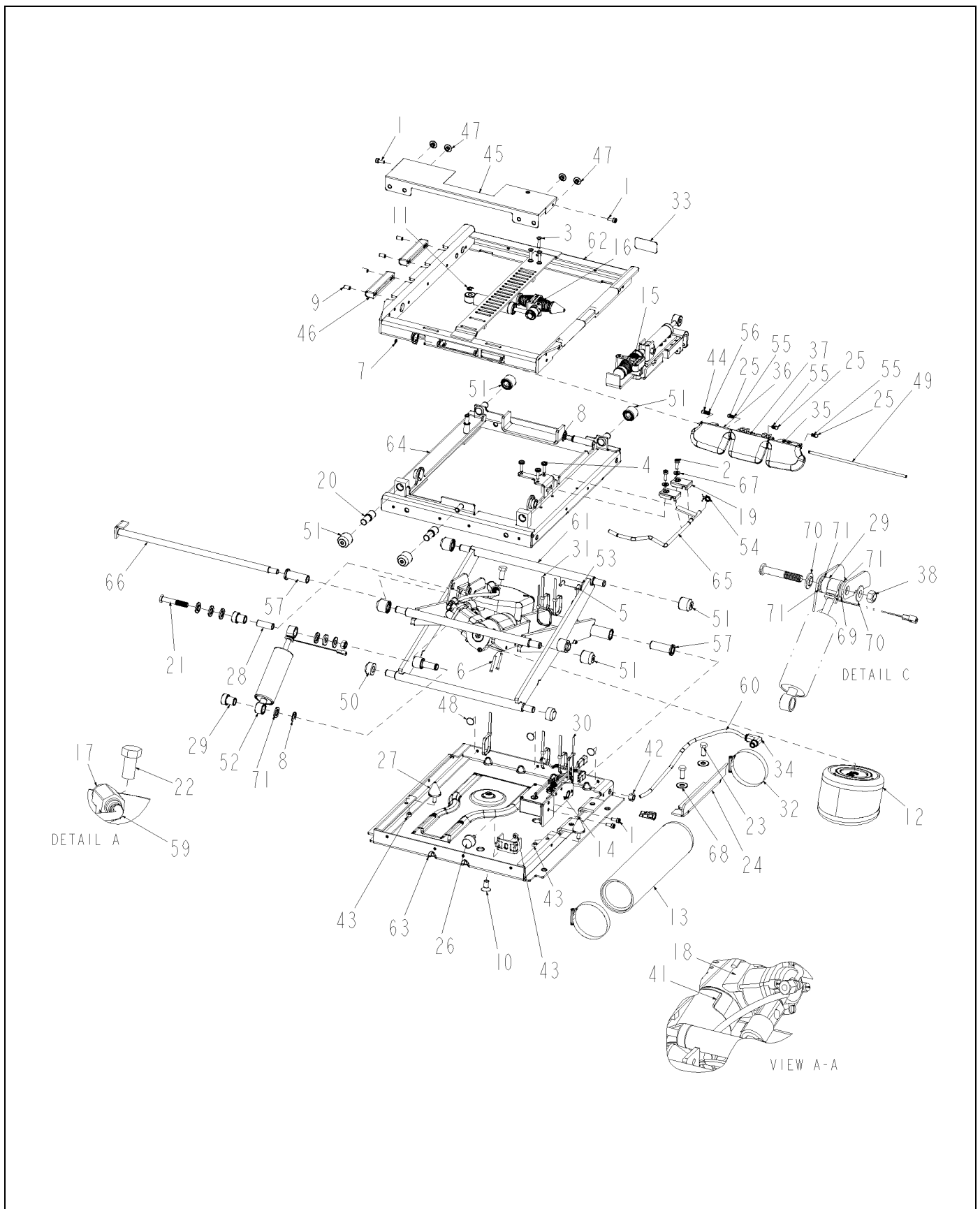


137744-A.TIF

ASM/SUSPENSION SEMI ACTIVE

ITEM	PART #	QTY	DESCRIPTION	COMMENTS
1	AG137792	1	WLDMT/HOUSING LOWER	
2	AG137793	1	ASM/CONTROL DAMPING	
3	AG137794	1	ASM/SPRING ISOLATER	
4	AG137795	1	ASM/ISOLATER FOR-AFT	
5	AG137796	1	WLDMT/FRAME ISOLATER LATERAL	
6	AG137797	1	WLDMT/HOUSING UPPER	
7	AG137798	1	ASM/COMPRESSOR W/SOLENOID	
8	AG137799	1	WLDMT/ARM SUSP	
9	AG137800	1	WLDMT/LEVER	
10	AG137801	8	ROLLER ASM/DELTRIN WIDE	
11	AG137802	1	WLDMT/SHAFT BEARING	
12	AG137803	1	SPACER/ISOLATER	
14	AG137804	1	AIRTANK	
15	AG137821	1	KNOB/ADJ SHOCK	
16	AG137805	2	BUSHING/SHOCK MOUNT	
17	AG137826	2	BUSHING/SHOCK	
19	501917D1	1	KIT-SHOCK AS. (SUSP)	
20	AG137806	1	KNOB/BLANK	
22	AG137807	1	KNOB/FOR-AFT ISOLATER BLACK	
23	AG137808	1	KNOW/LATERAL ISOLATER	
25	AG137809	1	SPRING	
28	AG137810	2	BUMPER/DOWNSTOP	
29	AG137811	4	PUCK/SLIDER ADJ	
30	AG137825	1	BEARING/SHOCK ABSORBER	
32	AG137812	1	BUMPER	
34	AG137813	1	AIRSPRING	
40	AG137814	3	BEARING/BALL .255 IN DIA	
41	AG137815	1	ASM/TEE	
49	AG137816	1	SPRING/COMPRESSION	
50	AG137718	3	SPRING/COMPRESSION	

KIT-SUSPENSION,SEMI ACTIVE

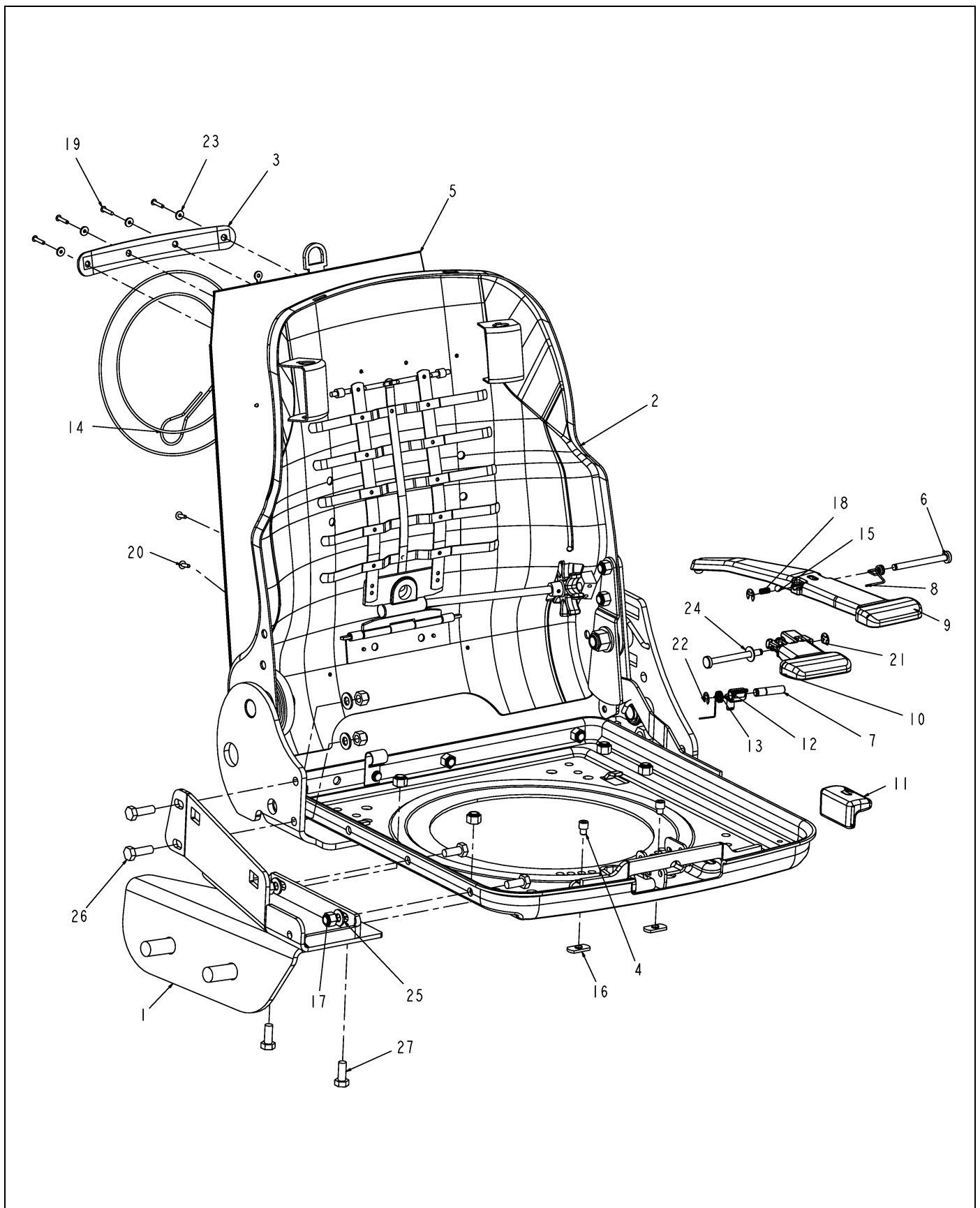


508233D1-01-M866-.TIF

KIT-SUSPENSION,SEMI ACTIVE

ITEM	PART #	QTY	DESCRIPTION	COMMENTS
34	AG332252	1	ELBOW/90 DEG (508233D1)	

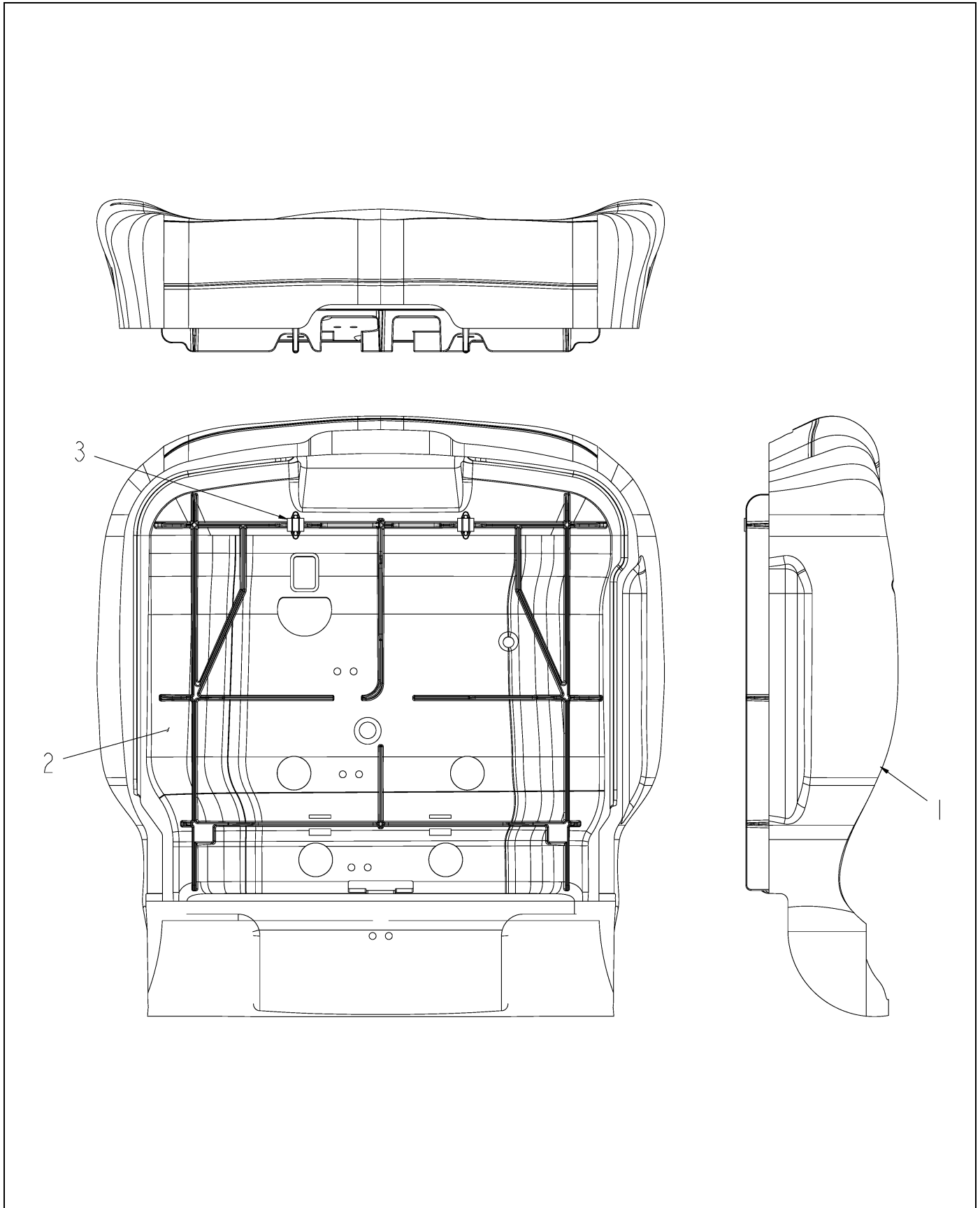
KIT-SEAT AS. UPPER



502925D1-01-K791.TIF

KIT-SEAT AS. UPPER

ITEM	PART #	QTY	DESCRIPTION	COMMENTS
3	AG330847	1	SUPPORT/MANUAL HOLDER	
5	AG330848	1	ASSY/MANUAL HOLDER	
6	AG330849	2	PIN/HANDLE	
14	AG330850	1	LANYARD	
16	AG330851	2	TAB/WELDNUT 1/4 IN - 20	
17	AG330852	4	LOCKNUT/NYLOC M8 X 1.25	
19	AG330853	4	POT/RIVET .125	
20	AG330854	2	POP/RIVET .127	
21	AG330855	2	RETAINING/RING 1/4 IN	
22	AG330856	2	RETAINING/RING 5/16 IN	
23	AG330857	4	WASHER/FLAT .1251D	
24	AG330858	1	WASHER/FLAT .2811D	
25	AG330859	4	WASHER/FLAT .3441D	
26	AG330860	2	BOLT/HEX M8 X 1.25 X 25LG	
27	AG330861	4	BOLT/HEX M8 X 1.25 20 LG	

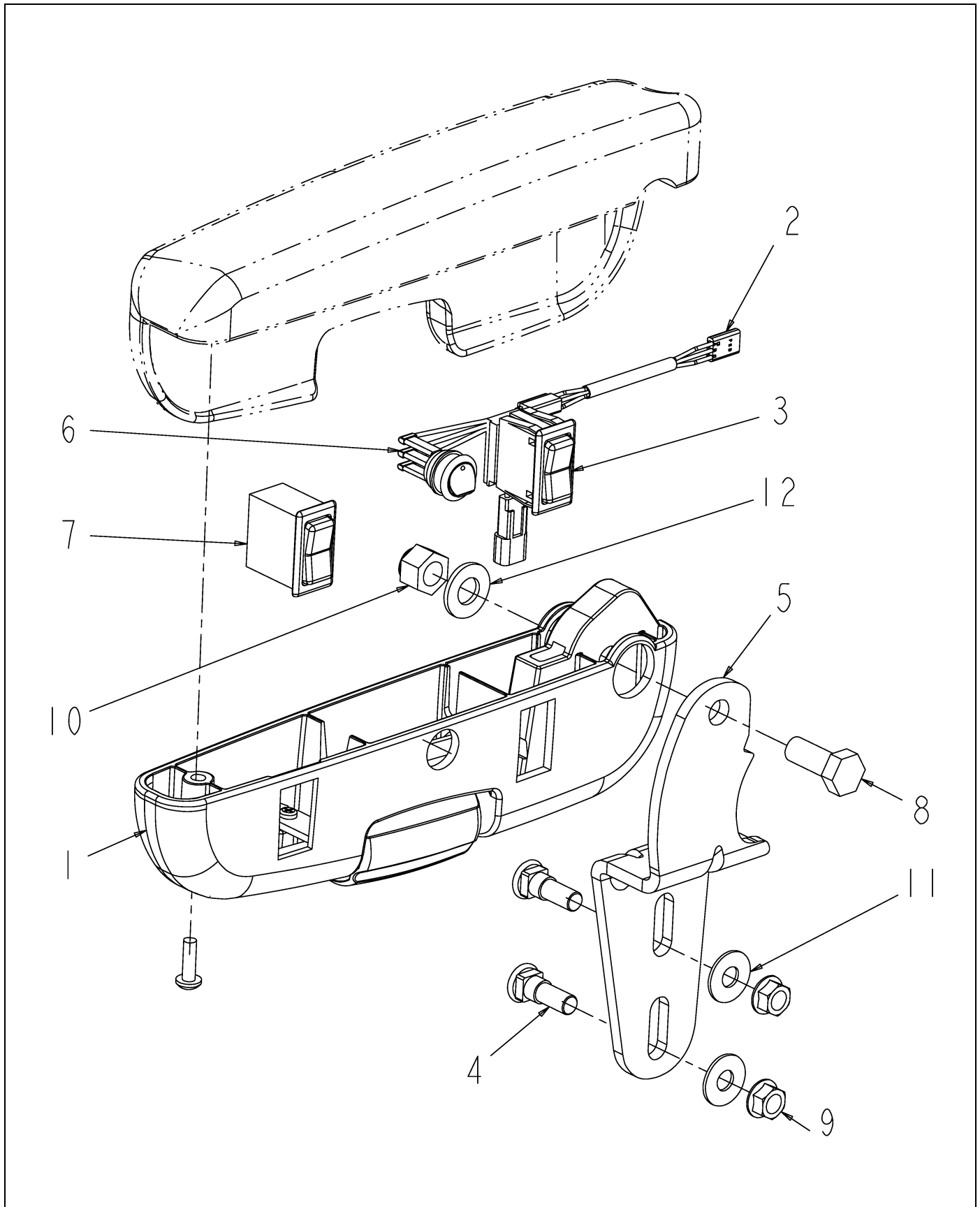


508236D1-01-M866-.TIF

KIT-CUSHION,SEAT,SST

ITEM	PART #	QTY	DESCRIPTION	COMMENTS
1	AG330844	1	PAD/SEAT	
2	AG330845	1	INSERT/CUSHION STAPLE	
3	AG330846	2	CLIP/RETAINER	

KIT-ARM REST AS. (LH)

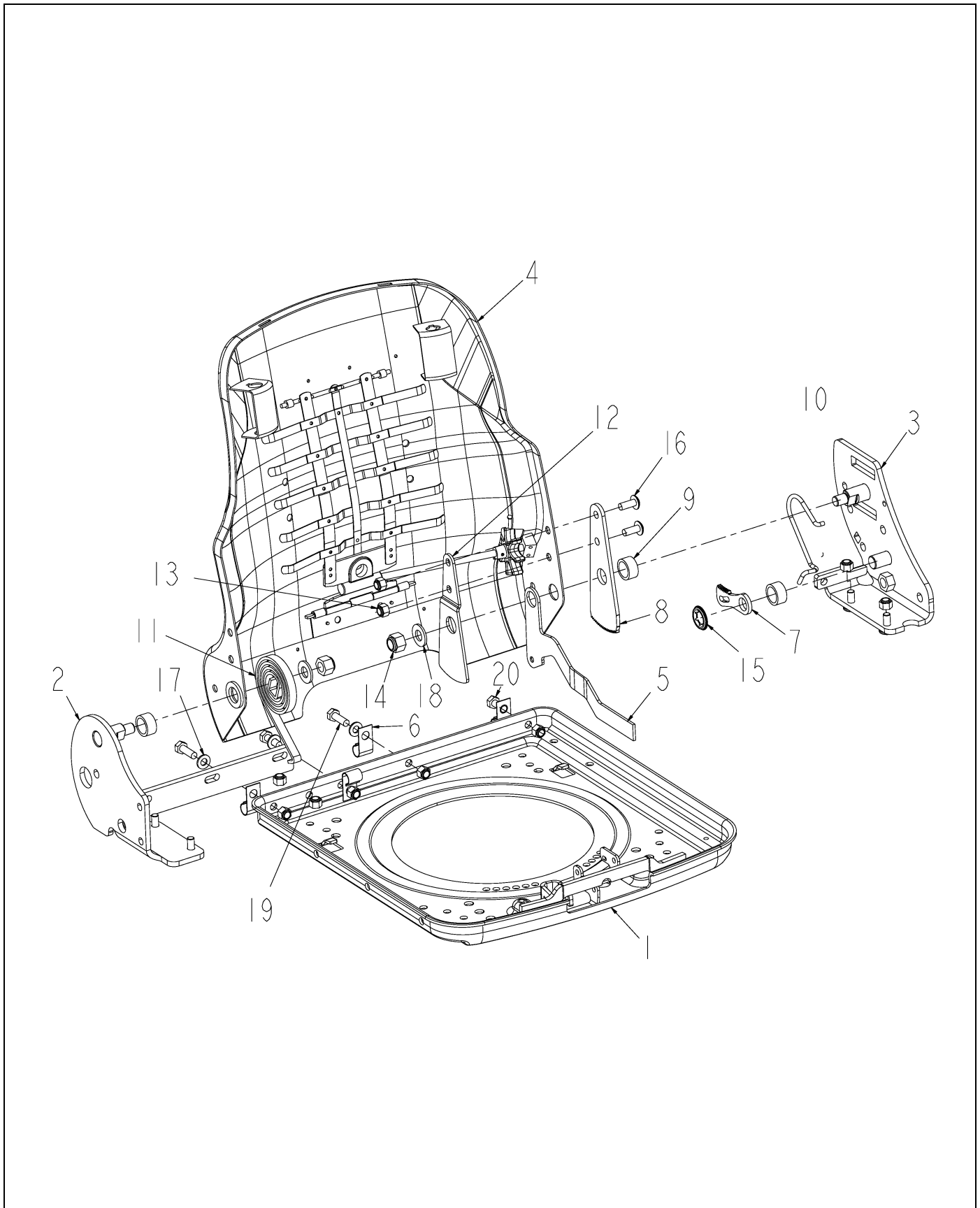


502928D1-01-K791.TIF

KIT-ARM REST AS. (LH)

ITEM	PART #	QTY	DESCRIPTION	COMMENTS
1	AG330813	1	ARMREST/ASSY LH	
2	AG330578	1	HARNESS/WIRE	
3	AG137735	1	SWITCH/ROCKER	
5	AG330815	1	ARMREST/BRKT LH	
6	AG330816	1	HEATER/SWITCH	
7	AG137722	1	SWITCH/ROCKER	
8	AG330817	1	BOLT/FLANGE - M12 X 1.75	
9	AG330818	2	NUT/FLANGE 3/8 - 16	
10	AG330819	1	LOCKNUT/NYLOC INS M12 X 1.75	
11	AG330820	2	WASHER/FLAT .4061D	
12	AG330821	1	WASHER/FLAT .5311D	

KIT-SEAT TOP, SST

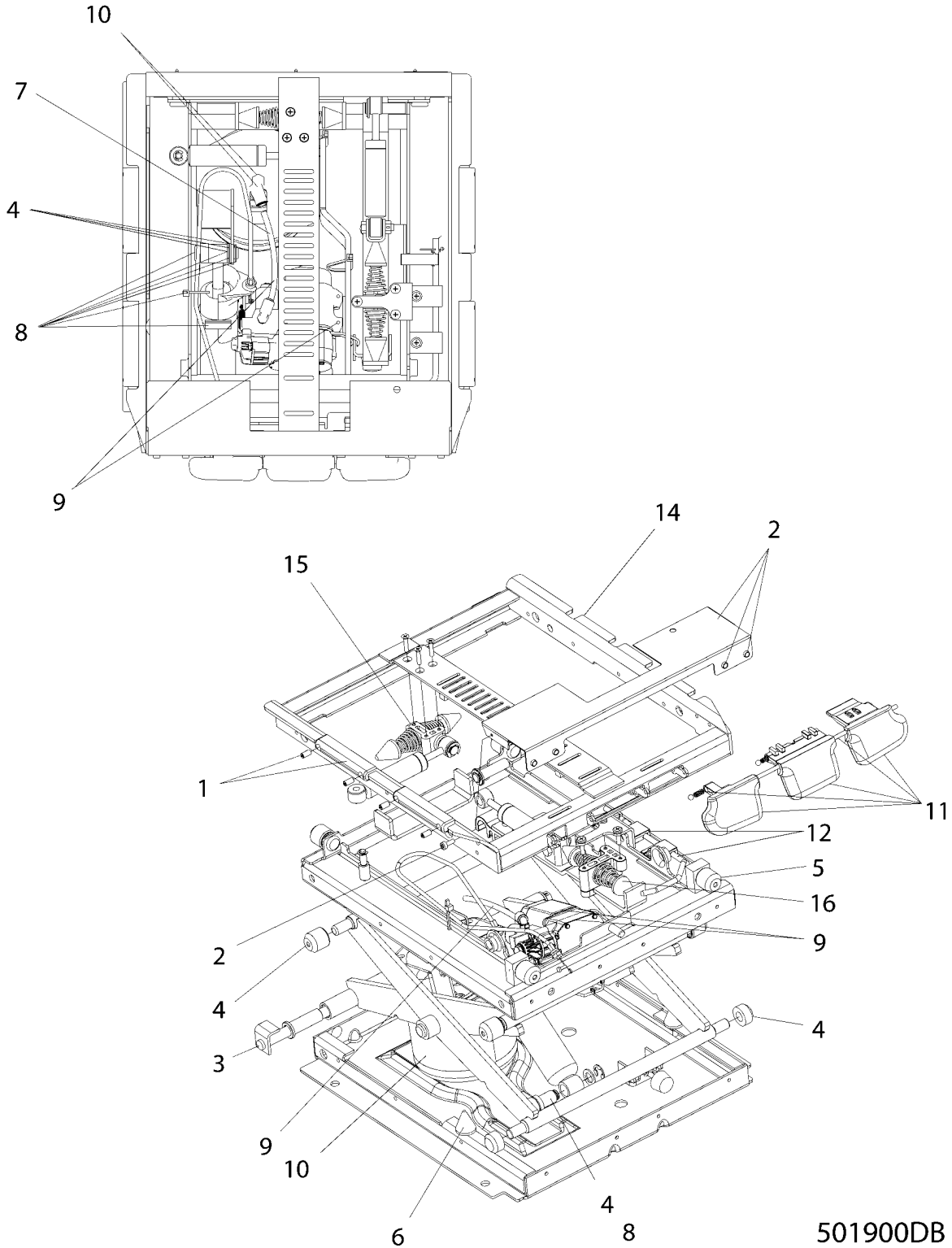


508230D1-01-M866-.TIF

KIT-SEAT TOP, SST

ITEM	PART #	QTY	DESCRIPTION	COMMENTS
1	AG330822	1	SEAT/PAN WMNT	
2	AG330823	1	BRKT/SIDE WMNT	
3	AG330824	1	BRKT/SIDE LH WMNT	
4	AG330825	1	PAN/BACK KIT	
5	AG330826	1	LEVER/RECLINER WMNT	
6	AG330827	4	CLIP/J SHORT	
7	AG330828	1	LATCH/RECLINER SST-FLS	
8	AG330829	1	SECTOR/RECLINER SST-FLS	
9	AG330830	3	SPACER	
10	AG330831	1	LEVER/SPRING RELEASE	
11	AG330832	1	SPRING/BACK TILT SST	
12	AG330833	1	COVER	
13	AG330834	10	LOCKNUT/NYLOC M8 X 1.25	
15	AG330835	1	PUSHNUT/FASTENER	
17	AG330837	3	WASHER/FLAT .3441D	
18	AG330836	2	SCREW/TORX M8 X 1.25 X 20	
19	AG330838	3	BOLT/HEX M8 X 1.25 X 25LG	
20	AG330839	1	BOLT/HEX M8 X 1.25 X 20LG	

KIT-SUSPENSION GP (SEAT)

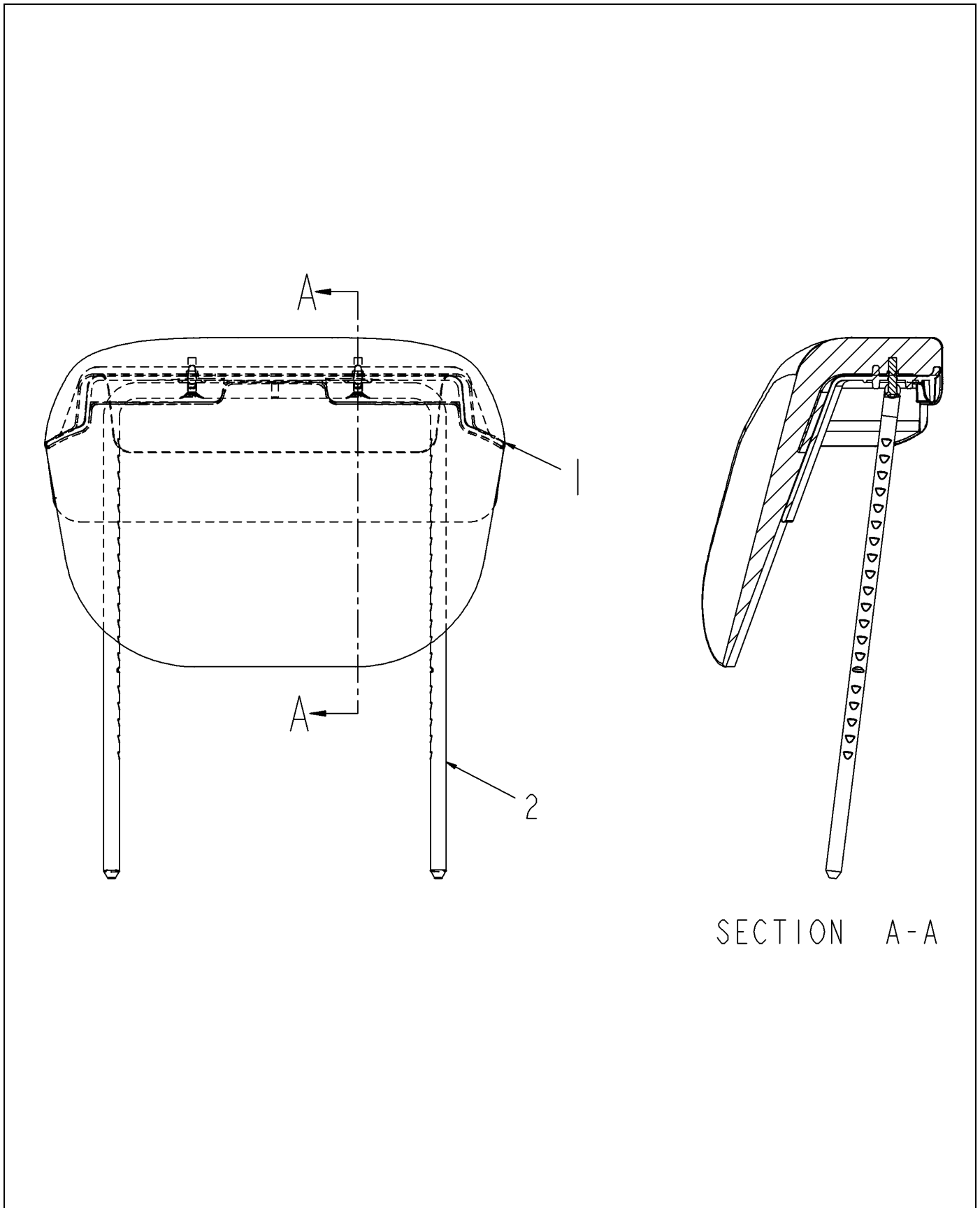


501900DB

501900D1.TIF

KIT-SUSPENSION GP (SEAT)

ITEM	PART #	QTY	DESCRIPTION	COMMENTS
0	197-4530	1	KIT-PUCK AS. (SLIDE)	
0	197-4531	1	KIT-COVER PLATE AS.	
0	197-4532	1	KIT - BEARING SHAFT	
0	197-4533	1	KIT-ROLLER BEARINGS	
0	197-4534	1	KIT-ISOLATOR ROLLER	
0	197-4537	1	KIT-BUMPER AS. (SUSP)	
0	197-4538	1	KIT-AIRLINE AS.	
0	197-4539	1	KIT-SHOCK AS. (SUSP)	
0	197-4540	1	KIT-COMPRESSOR AS	
0	197-4541	1	KIT-AIR SPRING AS.	
0	197-4545	1	KIT-KNOBS AS.	
0	197-4547	1	KIT - FORE/AFT	
0	501902D1	1	KIT-HARNESS (SUSPENSION)	
0	501903D1	1	KIT-HOUSING AS.	
0	501907D2	1	KIT-SPRING & SHOCK AS.	



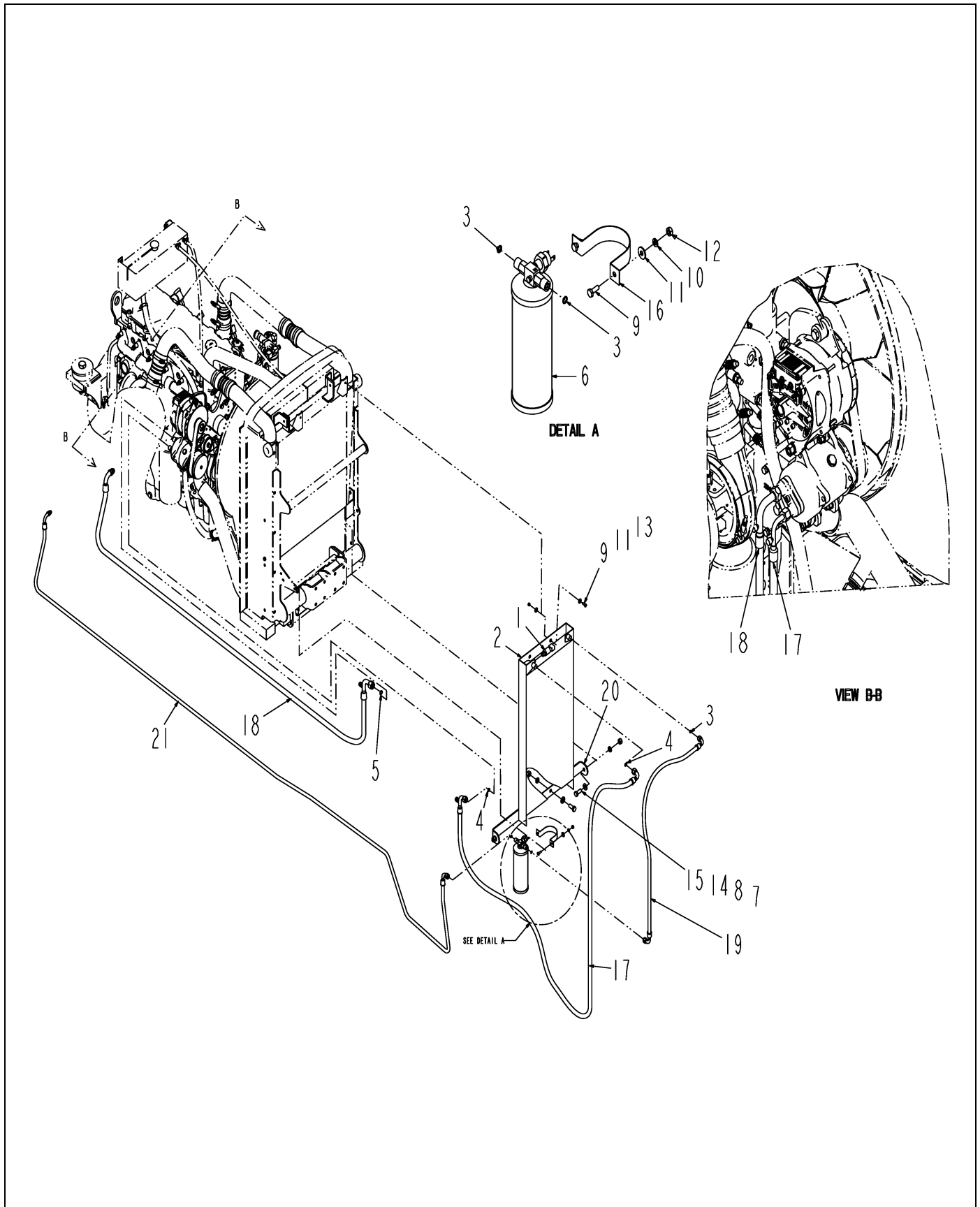
508234D1-01-M866-.TIF

KIT-BACK,UPPER

ITEM	PART #	QTY	DESCRIPTION	COMMENTS
1	AG330813	1	ARMREST/ASSY LH	
5	AG330815	1	ARMREST/BRKT LH	
6	AG330816	1	HEATER/SWITCH	
8	AG330817	1	BOLT/FLANGE - M12 X 1.75	
9	AG330818	2	NUT/FLANGE 3/8 - 16	
10	AG330819	1	LOCKNUT/NYLOC INS M12 X 1.75	
11	AG330820	2	WASHER/FLAT .4061D	
12	AG330821	1	WASHER/FLAT .5311D	

A/C INSTL	8-1
SWITCH ASM-A/C,HIGH PRESS	8-2
RECEIVER DEHYDRATOR	8-3



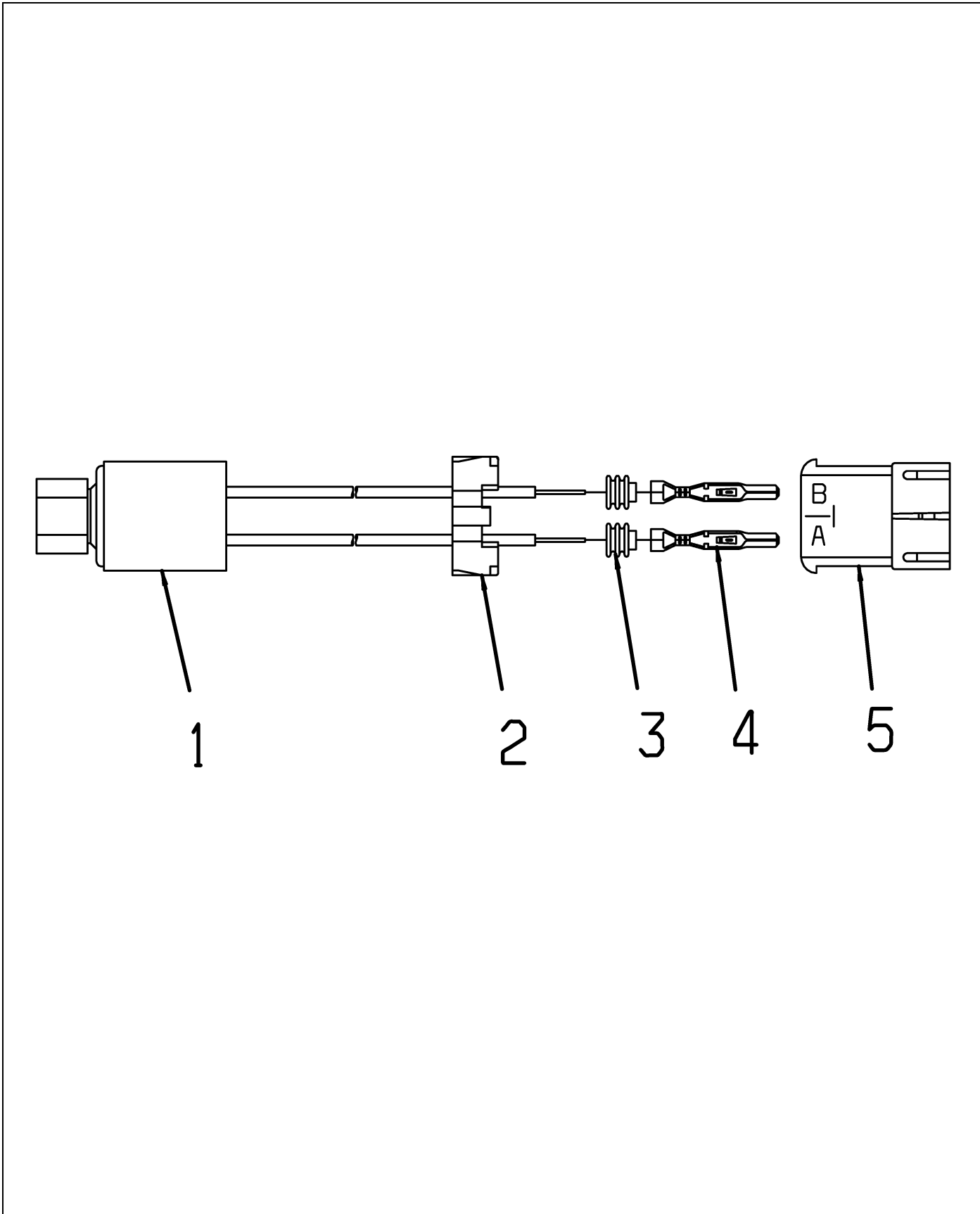


512783D1-03-N843-.TIF

A/C INSTL

ITEM	PART #	QTY	DESCRIPTION	COMMENTS
1	AG262906	1	SWITCH ASM-A/C,HIGH PRESS	SEE PAGE 8-2
2	AG420834	1	COIL-CONDENSOR	
3	AG518524	3	O-RING -06	
4	AG518525	2	O-RING -08	
5	AG518526	1	O-RING -10	
6	AG519278	1	RECEIVER DEHYDRATOR	SEE PAGE 8-3
7	AG550124	4	NUT 0.50-13NC HEX ZN REG	
8	AG550264	4	WASHER 0.50 LK ZN REG	
9	AG550485	4	BOLT 0.25-20NCX 0.75 G5 ZN HHD	
10	AG550493	2	WASHER 0.25 LK ZN REG	
11	AG550507	6	WASHER 0.25 FL ZN REG TYPE-B	
12	AG550612	2	NUT 0.25-20NC HEX ZN REG	
13	AG558699	2	NUT 0.25-20NC HEX ZN C-LK	
14	AG561617	4	WASHER 0.50 FL ZN SAE TYPE-A	
15	AG606734	4	BOLT 0.50-13NCX 1.25 G8 ZN HHD	
16	AG704540	1	CLAMP BRACKET DRIER	
17	513135D1	1	HOSE ASM-A/C(R13A)-8 X 106.00	
18	513136D1	1	HOSE ASM-A/C (R134A)-12	
19	513137D1	1	HOSE ASM-A/C (R134A)-6 X 35.00	
20	513149D1	1	BRACKET, A/C INSTL.	
21	516591D1	1	HOSE ASM-A/C (R134A)-6	

SWITCH ASM-A/C,HIGH PRESS



262906-A.TIF

SWITCH ASM-A/C,HIGH PRESS

ITEM	PART #	QTY	DESCRIPTION	COMMENTS
1	AG524291	1	SWITCH-A/C,HIGH PRESSURE	
2	AG520260	1	LOCK-METRIPACK,280/2 WIRE	
3	AG515765	2	SEAL CABLE GREY REEL 14 GA	
4	AG519288	2	TERM METRI-PACK M280/20-16 GA	
5	AG517616	1	CONNECTOR MA 2 WAY 280 SEALED	

RECEIVER DEHYDRATOR

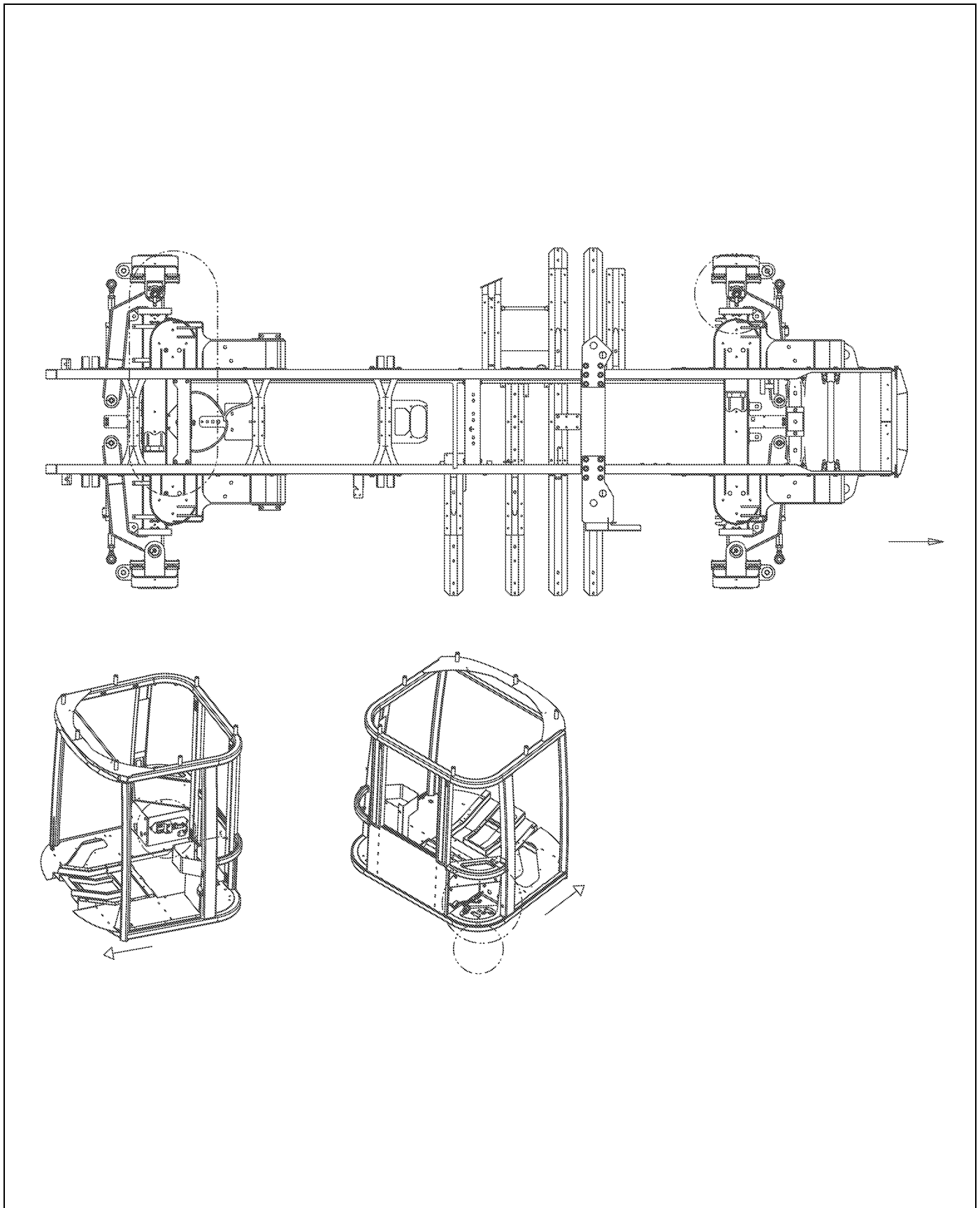


519278.TIF

RECEIVER DEHYDRATOR

ITEM	PART #	QTY	DESCRIPTION	COMMENTS
0	AG518524	2	O-RING -06	
0	AG607237	1	SWITCH FREON PRESSURE (514632)	

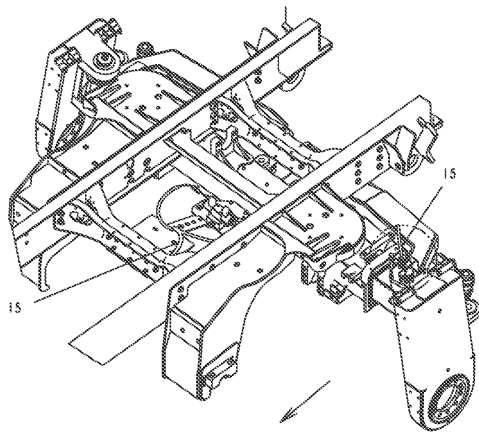
INSTL-ELECTRICAL,4WS	9-1
INSTL-ELECTRICAL,4WS	9-2
INSTL-ELECTRICAL,4WS	9-3
PANEL INSTL-TRIM,LIQ	9-4
KIT-ELECTRICAL,CAB	9-5
HARNESS POWER	9-6
MODULE-POWER DIST,11 FUSE	9-7
MODULE-POWER DIST,HI CURRENT	9-8
BATTERY CABLE INSTL-1274C,"06	9-9
BATTERY CABLE INSTL-1274C,"06	9-10
BATTERY CABLE INSTL-1274C,"06	9-11
BATTERY CABLE INSTL-1274C,"06	9-12
ASM-GND STUD,RG	9-13
BATTERY-INSTL,1274C,"06	9-14
SUPPRESSOR DIODE	9-15
ASM-RELAY,FIREWALL	9-16
ASM-I/O,CHASSIS,6SPD,RG	9-17
HARN INSTL-CHAS,1286C,NON DOM	9-18
HARN INSTL-CHAS,1286C,NON DOM	9-19
HARN INSTL-CHAS,1286C,NON DOM	9-20
HARN INSTL-CHAS,1286C,NON DOM	9-21
HARN INSTL-CHAS,1286C,NON DOM	9-22
HARN INSTL-CHAS,1286C,NON DOM	9-23
HARN INSTL-CHAS,1286C,NON DOM	9-24
HARN INSTL-CHAS,1286C,NON DOM	9-25
HARN INSTL-CHAS,1286C,NON DOM	9-26
HARNESS INSTL-CHASSIS,1286C	9-27
HARNESS INSTL-CHASSIS,1286C	9-28
HARNESS INSTL-CHASSIS,1286C	9-29
HARNESS INSTL-CHASSIS,1286C	9-30
HARNESS INSTL-CHASSIS,1286C	9-31
HARNESS INSTL-CHASSIS,1286C	9-32
HARNESS INSTL-CHASSIS,1286C	9-33
HARNESS INSTL-CHASSIS,1286C	9-34
HARNESS INSTL-CHASSIS,1286C	9-35
RESISTOR ASM-680 OHM,4 PRONG	9-36
FLASHER INSTL-DOMESTIC	9-37
FLASHER INSTL-NON DOMESTIC	9-38
INSTL-ELEC,BACKUP ALARM,12XX	9-39
INSTL-ELEC,BACKUP ALARM,12XX	9-40
ASM-I/O,CHASSIS,RG	9-41
HARNESS INSTL-NO WL,LIGHT BAR	9-42
RADAR GROUP	9-43
INSTL-BATTERY,THIRD,COLD START	9-44
INSTL-TIMER,PC,PUMP	9-45
HARNESS INSTL-PROD CONT,RG	9-46
HARNESS INSTL-PROD CONT,RG	9-47
HARNESS INSTL-PROD CONT,RG	9-48
HARNESS INSTL-PROD CONT,RG	9-49
HARNESS INSTL-PROD CONT,RG	9-50
HARNESS INSTL-PROD CONT,RG	9-51



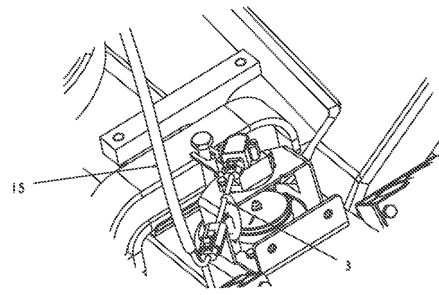
504362D1-03-N547-01.TIF

INSTL-ELECTRICAL,4WS

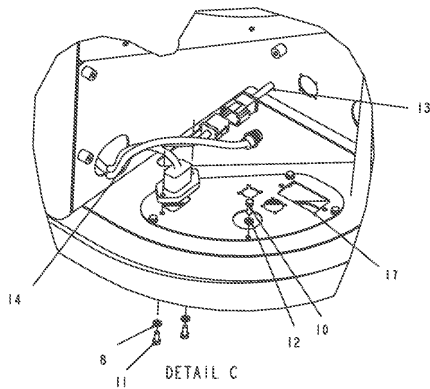
ITEM	PART #	QTY	DESCRIPTION	COMMENTS
7	AG520962	-	AMPLIFIER-RADAR	
8	AG550493	2	WASHER 0.25 LK ZN REG	
18	504961D1	1	ARMREST INSTL-RG,4WR/B512009D1	



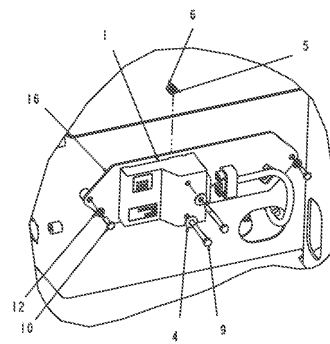
DETAIL A



DETAIL B



DETAIL C

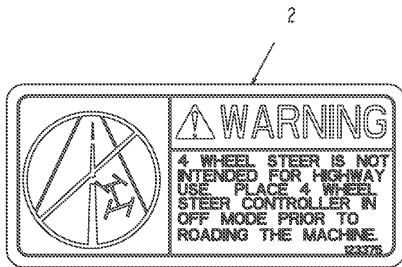


DETAIL D

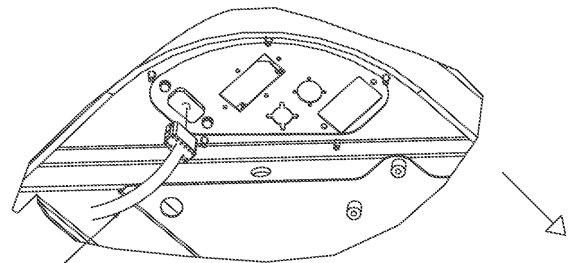
504362D1-03-N547-02.TIF

INSTL-ELECTRICAL,4WS

ITEM	PART #	QTY	DESCRIPTION	COMMENTS
1	AG120949	1	CONTROLLER-4WS	
3	AG126115	2	HARNESS-4WS,SENSOR FILTER	
4	AG515121	2	WASHER 0.25 FL SS REG TYPE-B	
5	AG515122	2	WASHER 0.25 LK SS REG	
6	AG515123	2	NUT 0.25-20NC HEX SS REG	
8	AG550493	2	WASHER 0.25 LK ZN REG	
9	AG562099	2	BOLT 0.25-20NCX 2.50 SS HHD	
10	AG562327	7	BOLT M6-1.00X20MM G8.8 ZN HHD	
11	AG562639	2	BOLT M6 1.00X12MM G8.8 ZN HHD	
12	AG562792	7	WASHER LOCK M6 SPRING ZN	
13	512665D1	1	HARNESS-ADAPTER,1274C	
14	504007D1	1	HARNESS-4WS,IN CAB,1274C	
15	504008D1	1	HARNESS-4WS,CHASSIS,1274C	
16	504009D1	1	BRKT-CONTROLLER,4WS,06	
17	504010D1	1	PLATE-BLKHD,RG,4WS	



VIEW E-E



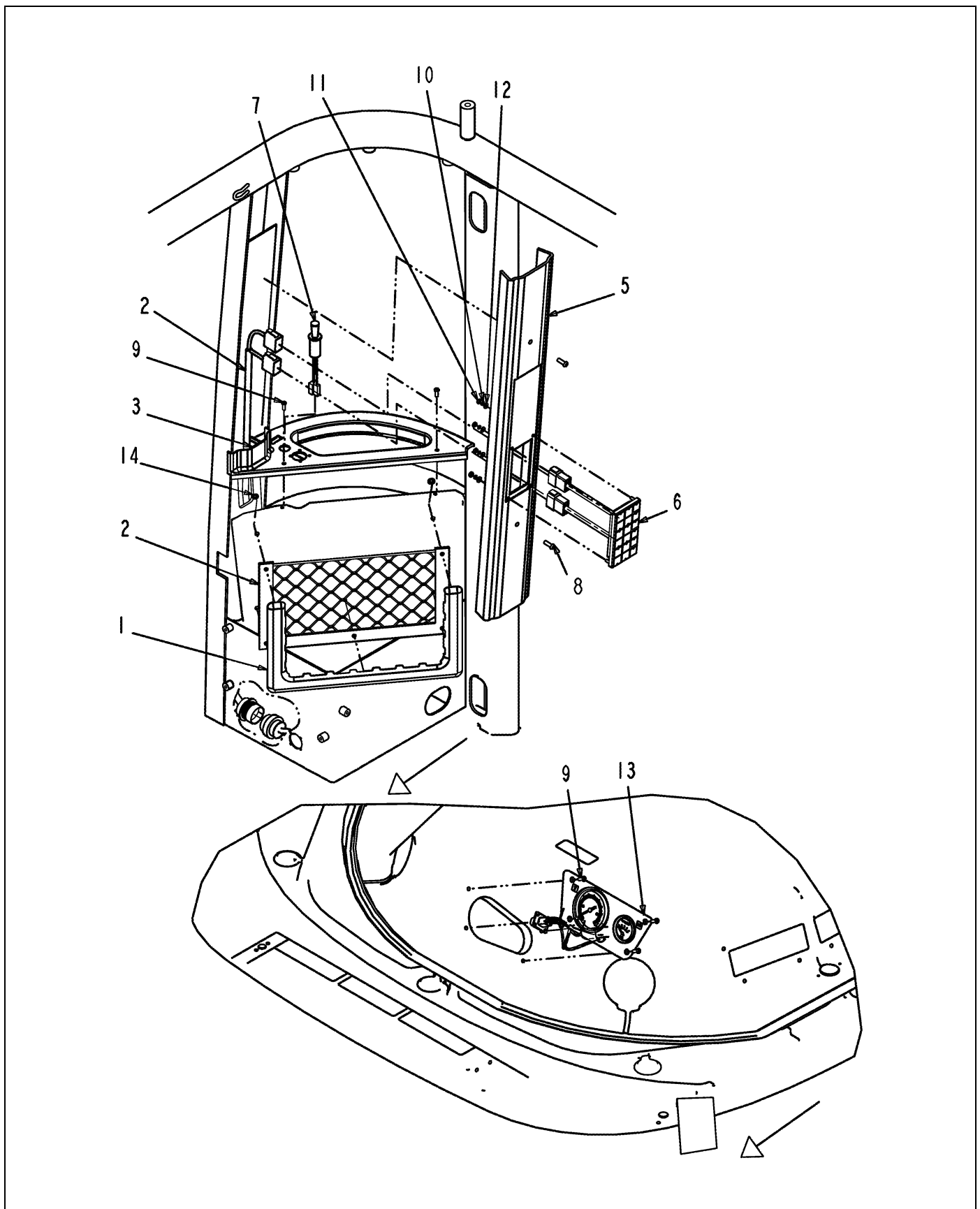
15

DETAIL F

504362D1-03-N547-03.TIF

INSTL-ELECTRICAL,4WS

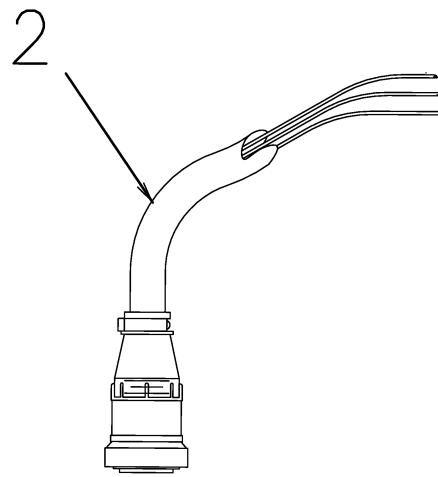
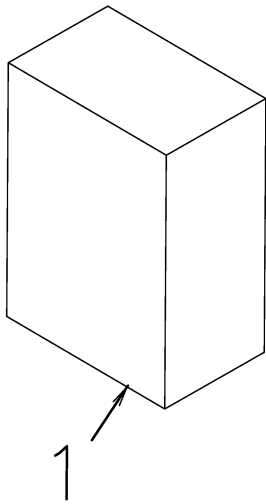
ITEM	PART #	QTY	DESCRIPTION	COMMENTS
2	AG123375	1	DECAL-4WS WARNING	
15	504008D1	1	HARNES-4WS,CHASSIS,1274C	



136213-05-N736-.TIF

PANEL INSTL-TRIM,LIQ

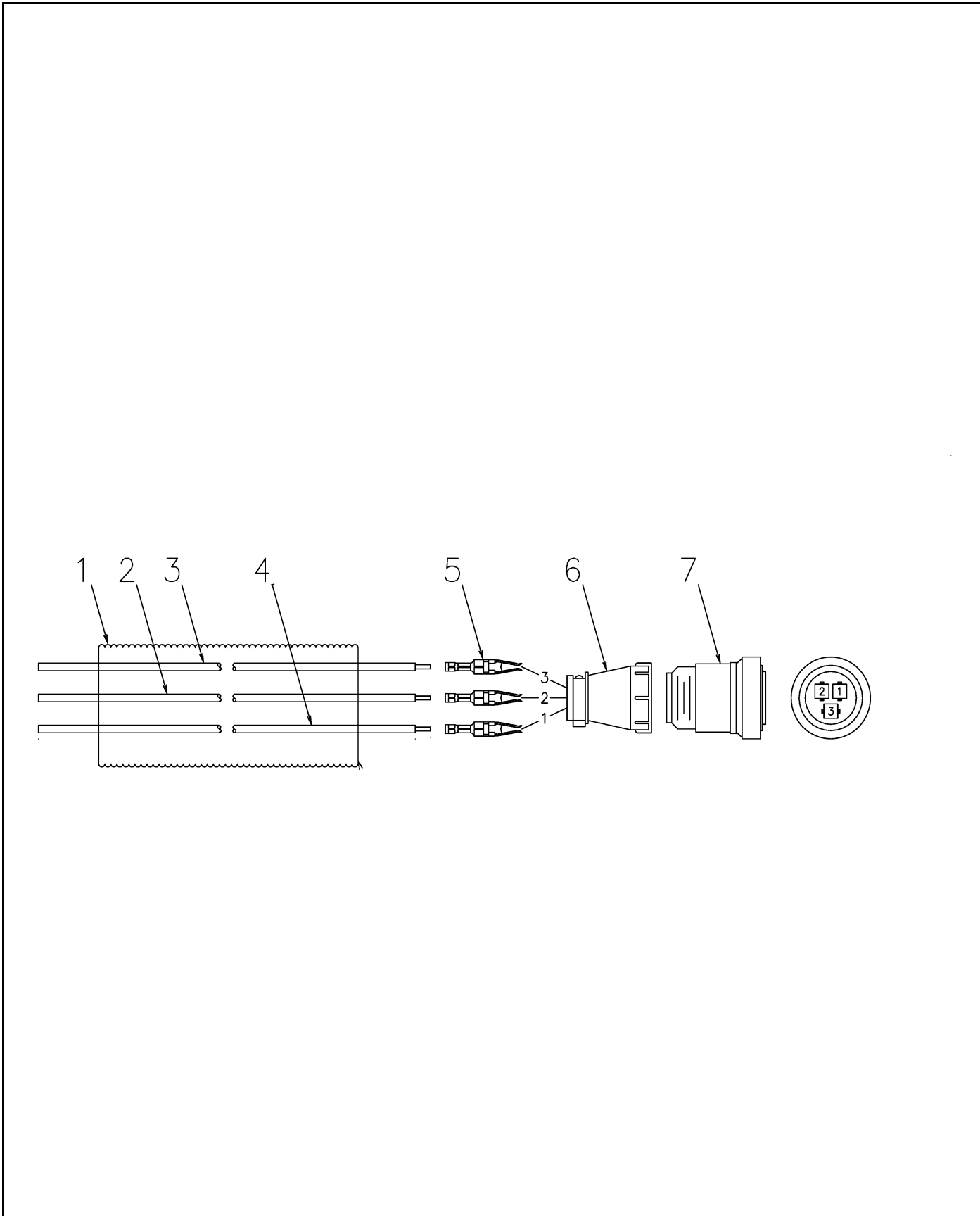
ITEM	PART #	QTY	DESCRIPTION	COMMENTS
1	180-2825	1	RETAINER (CARGO NET)	
2	184-1704	1	HOLDER-NET	
3	AG134573	1	COVER-CORNER,RH	
4	AG135548	1	HARNES-SWITCHES,SYSTEM	
5	AG136000	1	TRIM-B POST,RH,W/KEYBOARD	
6	AG136294	1	KEYPAD-RUBBER,LIQ SYSTEM	
7	AG520848	1	LIGHTER ASM-CIGAR	SEE PAGE 7-41
8	AG521730	2	SCR-M6-1.0X20,CL10.9,BLK,BHHS	
9	AG523508	6	SCR-M5-0.8X16,CL10.9,BLK,BHHS	
10	AG550914	4	WASHER #8 LK ZN REG	
11	AG550922	4	NUT #8-32NC HEX ZN REG	
12	AG562196	4	WASHER #8 FL ZN SAE TYPE-A	
13	509014D1	1	PANEL ASM-GAUGE,LIQ,TG	SEE PAGE 7-39
14	CH5V-1496	5	RETAINER-6.4 DIA STUD 13.5 OD	



KIT-ELECTRICAL,CAB

ITEM	PART #	QTY	DESCRIPTION	COMMENTS
1	AG521668	1	KIT-FUSE	
2	AG233356	1	HARNESS POWER	SEE PAGE 9-6

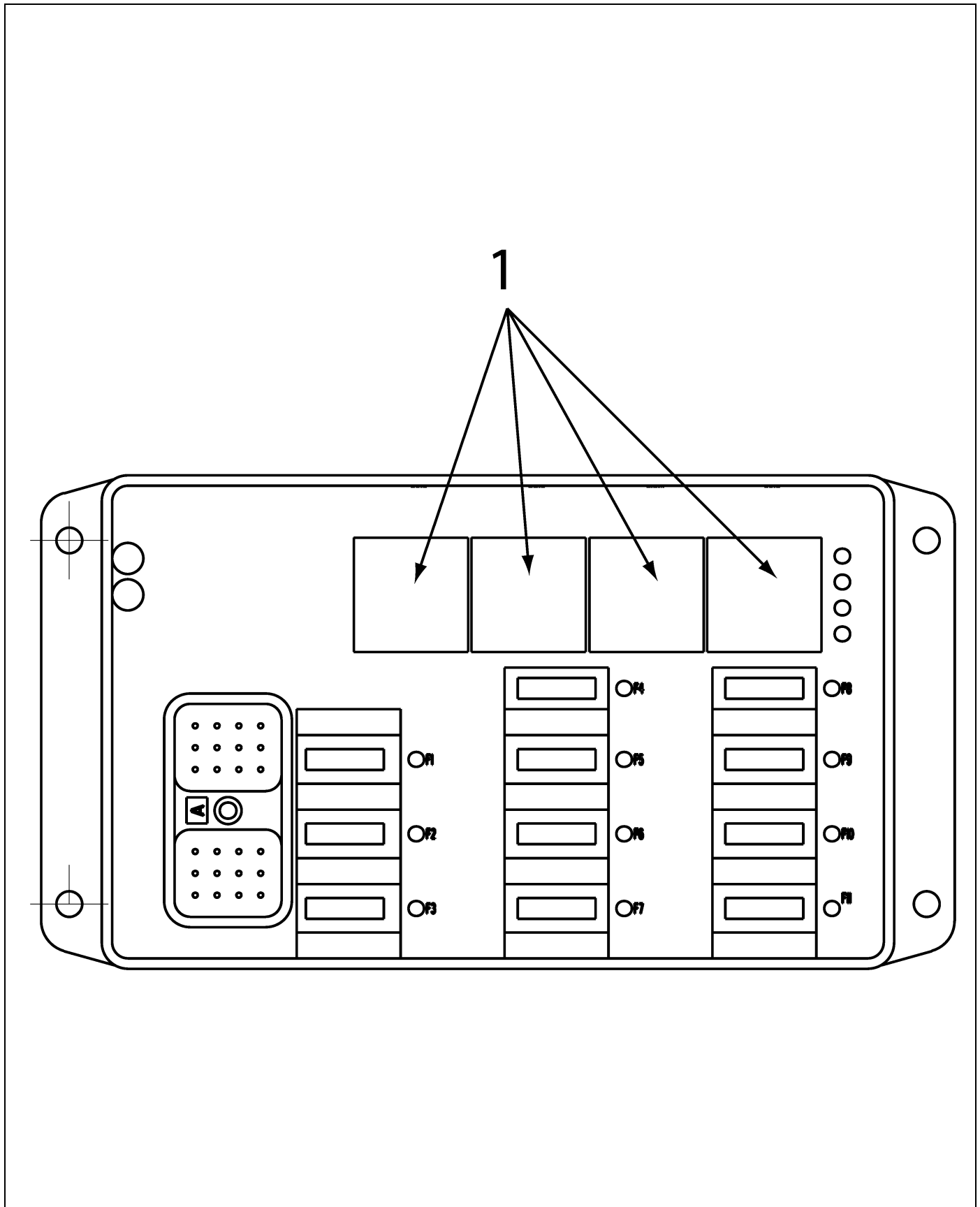
HARNESS POWER



233356-A.tif

HARNESS POWER

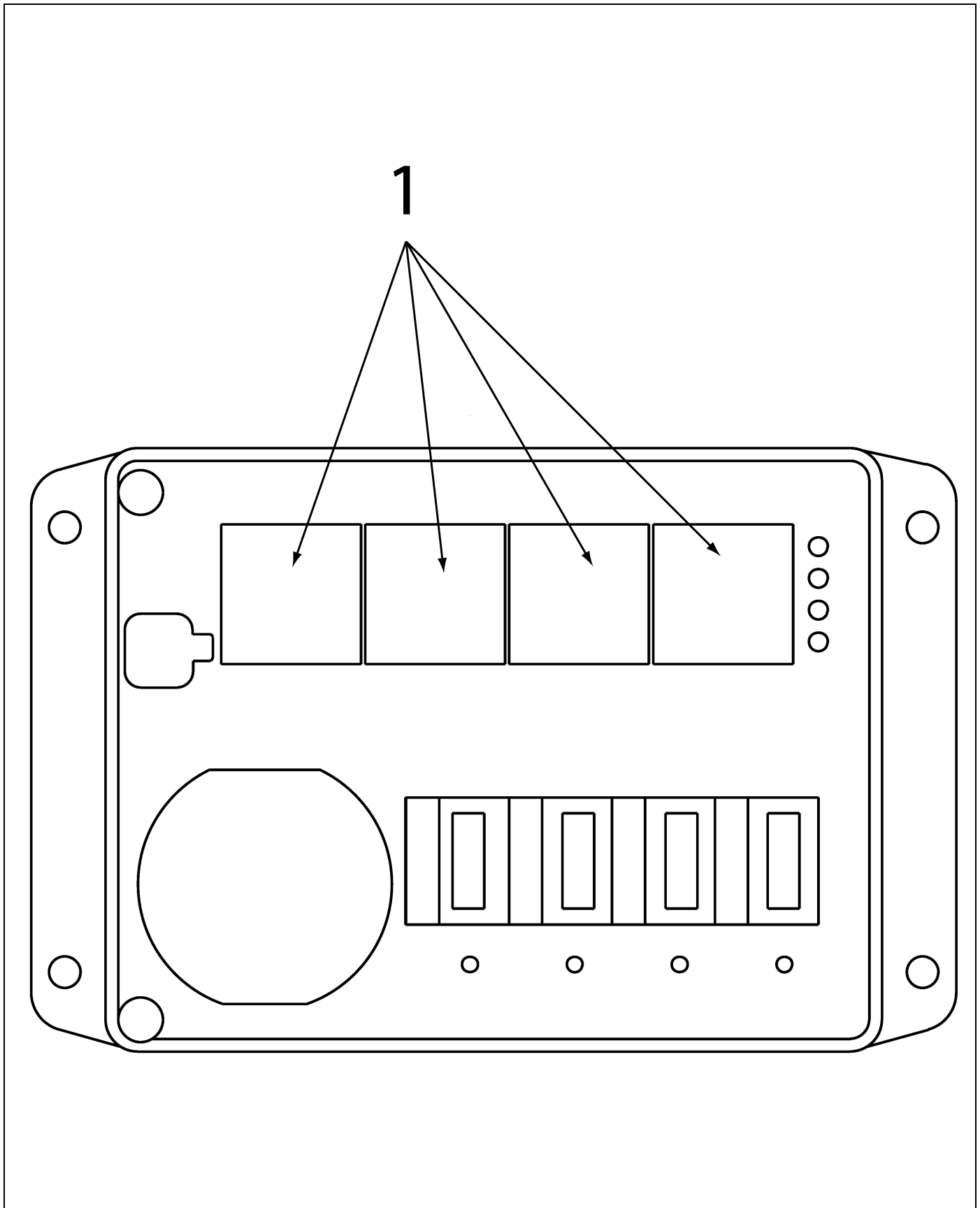
ITEM	PART #	QTY	DESCRIPTION	COMMENTS
1	AG512273	-	FLEX GUARD .350LCP [BULK: 2.833 FT]	
2	AG561897	-	WIRE 14 GA GXL BULK RED [BULK: 3 FT]	
3	AG561896	-	WIRE 14 GA GXL BULK BLACK [BULK: 3 FT]	
4	AG562323	-	WIRE 14 GA GXL BULK WHITE [BULK: 3 FT]	
5	AG517362	3	CONTACT TYPE XII FEMALE	
6	AG517369	1	CABLE CLAMP SZ 17 SMALL SHELL	
7	AG519129	1	CONNECTOR STD SEX PLUG 17-3	



124451.TIF

MODULE-POWER DIST,11 FUSE

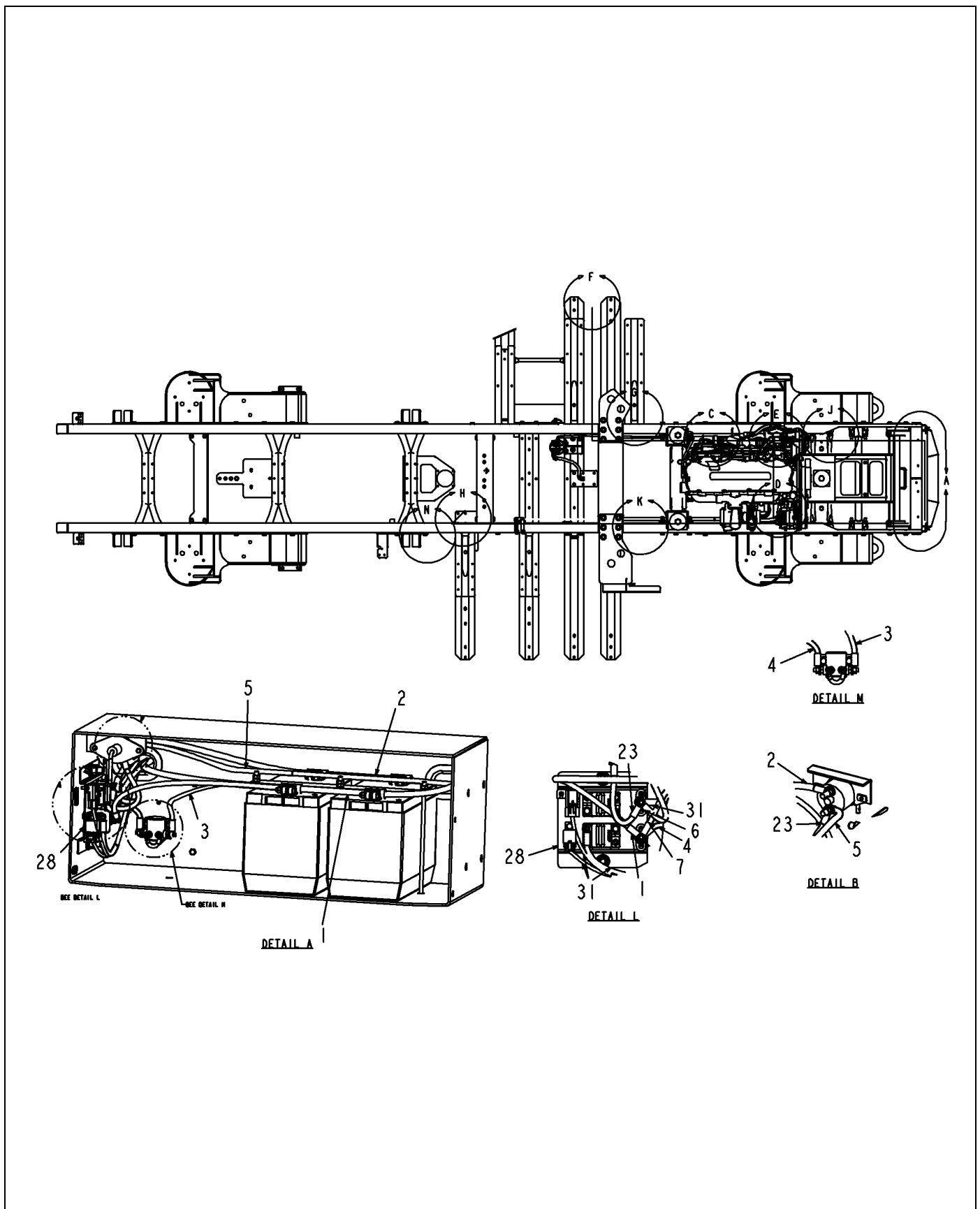
ITEM	PART #	QTY	DESCRIPTION	COMMENTS
1	AG719617	4	RELAY 40/30A	



124452.TIF

MODULE-POWER DIST,HI CURRENT

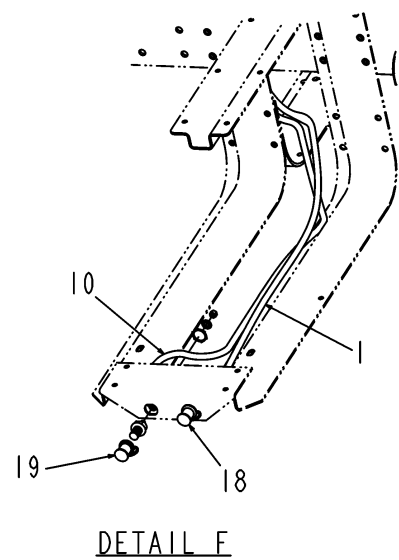
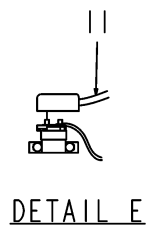
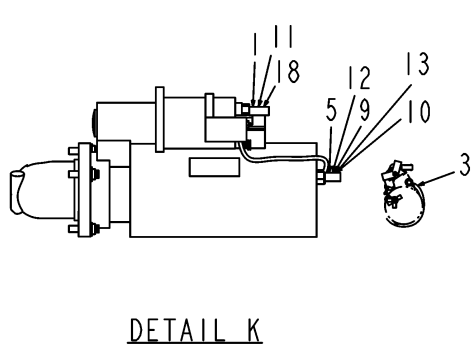
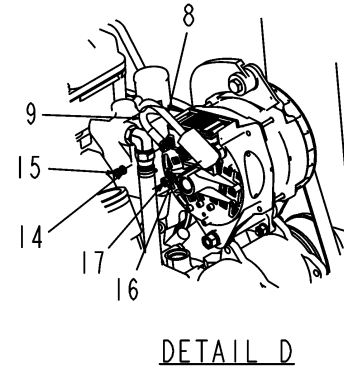
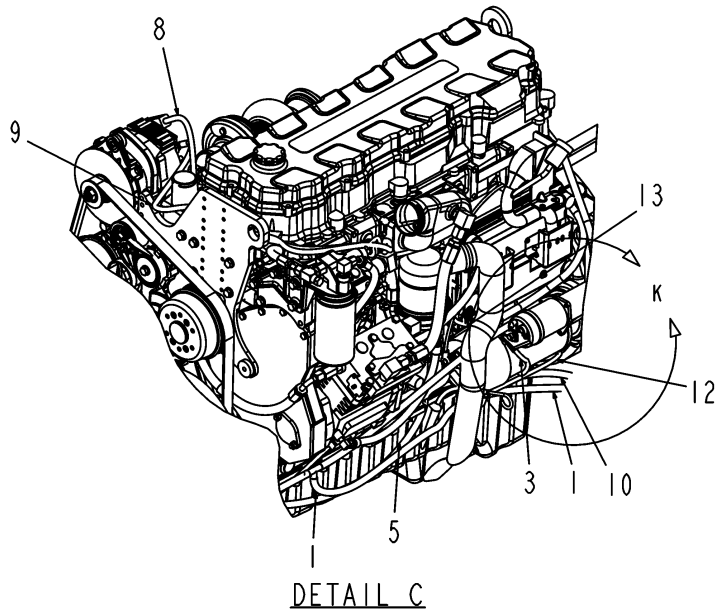
ITEM	PART #	QTY	DESCRIPTION	COMMENTS
1	AG719617	4	RELAY 40/30A	



504369D1-02-N192-01.TIF

BATTERY CABLE INSTL-1274C,"06

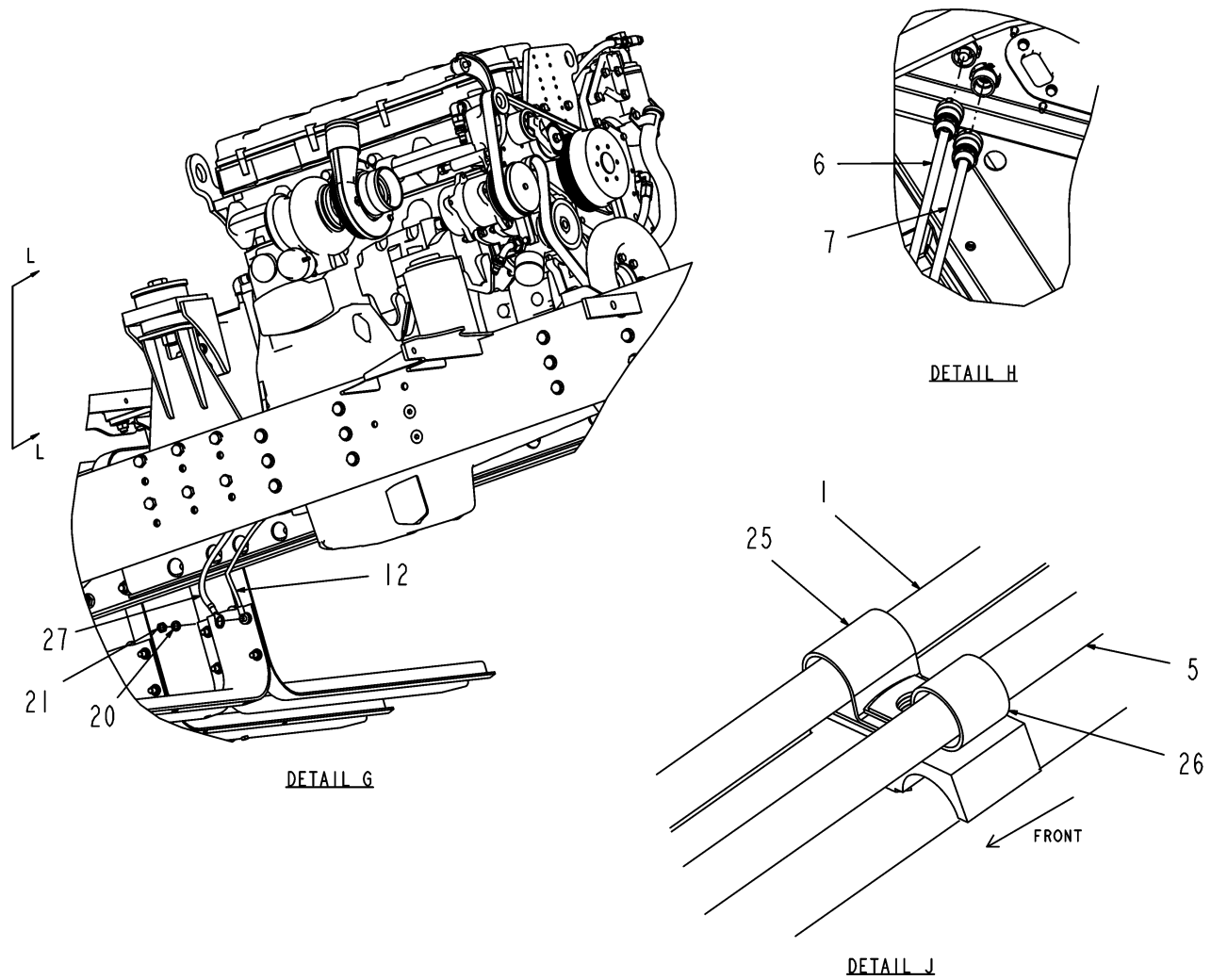
ITEM	PART #	QTY	DESCRIPTION	COMMENTS
1	AG126389	1	CABLE-BATTERY,POSITIVE	
2	AG123422	1	CABLE-BATTERY,NEGATIVE,1264	
3	AG123423	1	CABLE-MAG SW,STR SOLENOID	
4	AG126391	1	CABLE-MAG SW,STUD	
5	AG123425	1	CABLE-BATTERY,NEG,STARTER	
6	504000D1	1	CABLE-GROUND,CAB	
7	503999D1	1	CABLE-POWER,CAB	
23	509745D1	1	CABLE-DISCONNECT,STUD,GND	
24	AG518989	AR	SEALANT NONCORROSIVE 10.3 OZ	
28	509540D1	1	ASM-GND STUD,RG	SEE PAGE 9-13
31	509746D1	1	HARNESS-PWR/GND,SYS,RG	



504369D1-02-N192-02.TIF

BATTERY CABLE INSTL-1274C,"06

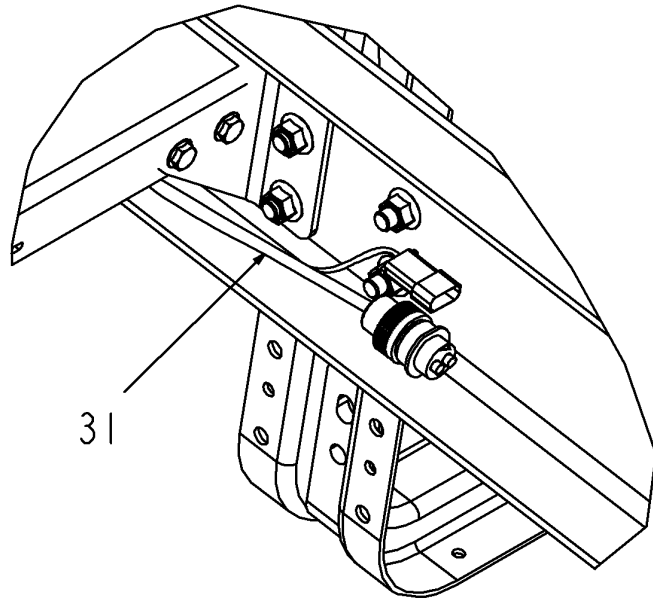
ITEM	PART #	QTY	DESCRIPTION	COMMENTS
1	AG126389	1	CABLE-BATTERY,POSITIVE	
3	AG123423	1	CABLE-MAG SW,STR SOLENOID	
5	AG123425	1	CABLE-BATTERY,NEG,STARTER	
8	AG123428	1	CABLE-ALTERNATOR,POS	
9	AG123429	1	CABLE-ALTERNATOR,NEG	
10	AG123430	1	CABLE-AUX PWR,NEG	
11	AG123432	1	CABLE-GRID HEATER,PWR	
13	AG123434	1	CABLE-ECM,GND	
14	AG515122	1	WASHER 0.25 LK SS REG	
15	AG515123	1	NUT 0.25-20NC HEX SS REG	
16	AG562051	1	WASHER 0.31 LK SS REG	
17	AG562090	1	NUT 0.31-18NC HEX SS REG	
18	AG522297	1	TERM-JUMPER,BATTERY,POS	
19	AG522298	1	TERM-JUMPER,BATTERY,NEG	



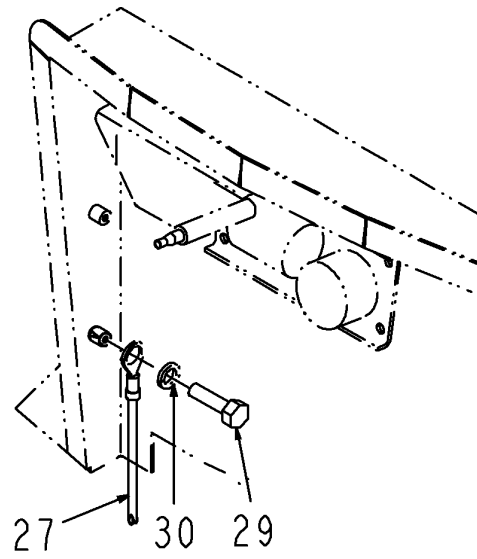
504369D1-02-N192-03.TIF

BATTERY CABLE INSTL-1274C,"06

ITEM	PART #	QTY	DESCRIPTION	COMMENTS
1	AG126389	1	CABLE-BATTERY,POSITIVE	
5	AG123425	1	CABLE-BATTERY,NEG,STARTER	
6	504000D1	1	CABLE-GROUND,CAB	
7	503999D1	1	CABLE-POWER,CAB	
20	AG562053	1	WASHER 0.50 LK SS REG	
21	AG562128	1	NUT 0.50-20NF HEX SS REG	
25	AG561753	1	CLAMP-HOSE,1,1 WIDE,RUB-COAT	
26	AG562237	1	CLAMP CTD 0.75IDX0.75WIDE	
27	504001D1	1	CABLE-GROUND,CAB,TG	



DETAIL N

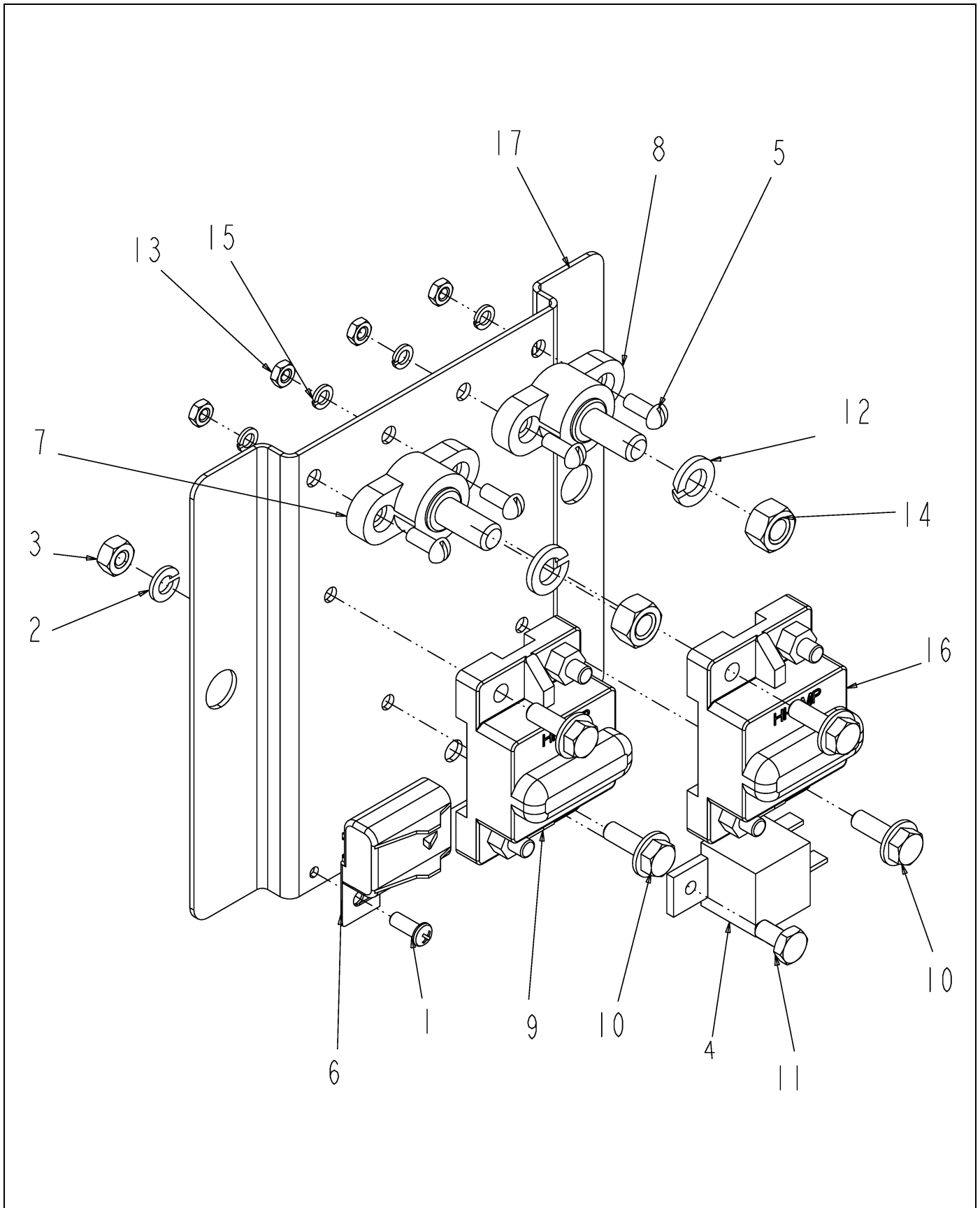


DETAIL K

504369D1-02-N192-04.TIF

BATTERY CABLE INSTL-1274C,"06

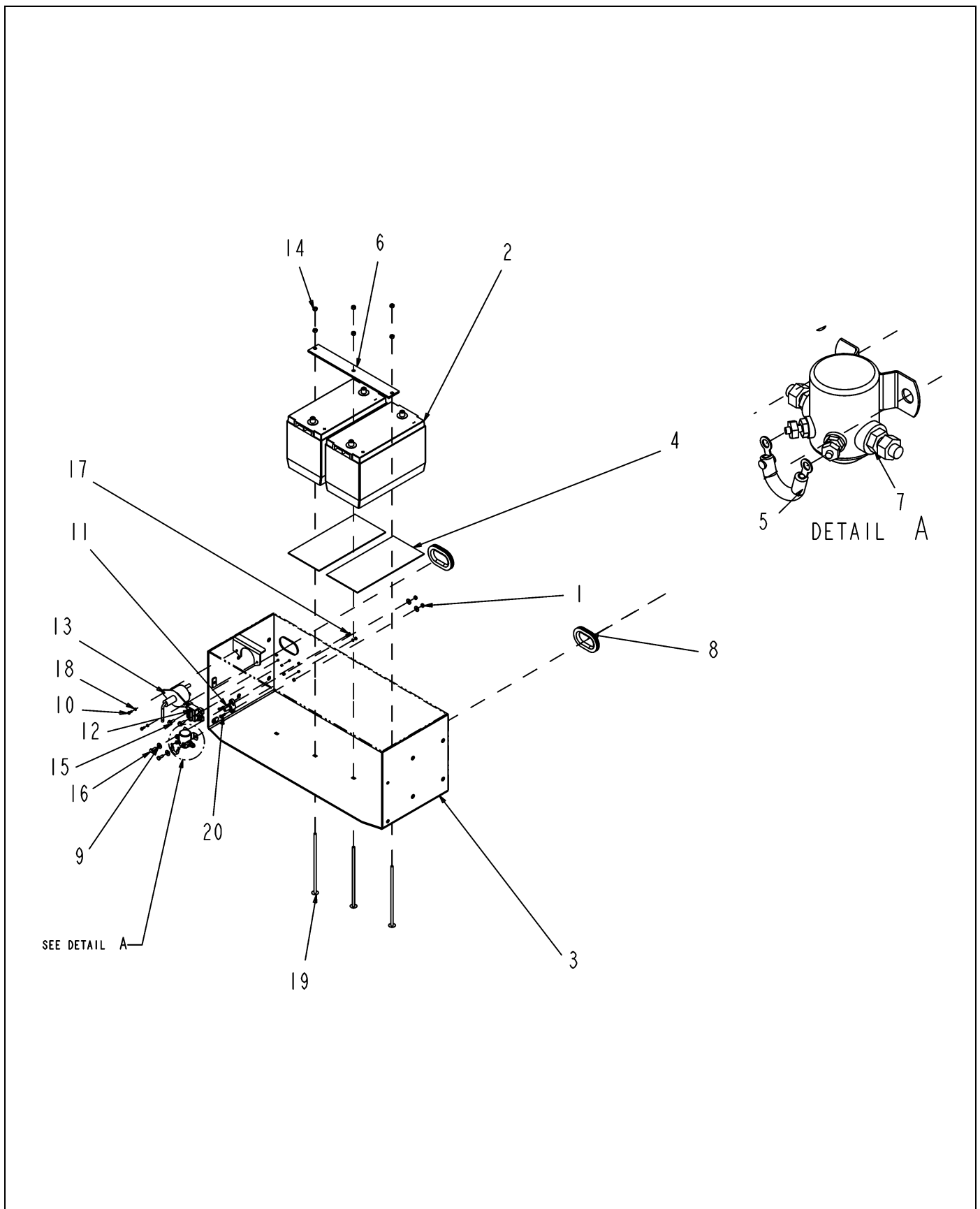
ITEM	PART #	QTY	DESCRIPTION	COMMENTS
27	504001D1	1	CABLE-GROUND,CAB,TG	
29	AG521728	1	BOLT-M6-1.0X16,,SS,HHD	
30	AG562792	1	WASHER LOCK M6 SPRING ZN	
31	509746D1	1	HARNES-PWR/GND,SYS,RG	



509540D1-01-N192.TIF

ASM-GND STUD, RG

ITEM	PART #	QTY	DESCRIPTION	COMMENTS
1	AG029293	1	SCREW 10-24X0.50 TAP IWHD	
2	AG515122	1	WASHER 0.25 LK SS REG	
3	AG515123	1	NUT 0.25-20NC HEX SS REG	
4	AG515756	1	RELAY,ELECTRICAL	
5	AG517975	4	SCREW 10-24NCX0.50 RD HD SS	
6	AG520052	1	CAP METRI PACK 630 P2S 2-WAY	
7	AG520092	1	JUNCTION BLOCK-STUD TYPE,BLK	
8	AG520093	1	JUNCTION BLOCK-STUD TYPE,RED	
9	AG520675	1	BREAKER-CIRCUIT,100AMP MANUAL	
10	AG561905	4	SCREW .25-20X 0.75 TAP ZN IWHD	
11	AG562047	1	BOLT 0.25-20NCX 0.50 SS HHD	
12	AG562050	2	WASHER 0.37 LK SS REG	
13	AG562061	4	NUT #10-24NC HEX SS REG	
14	AG562065	2	NUT 0.37-16NC HEX SS REG	
15	AG562081	4	WASHER #10 LK SS REG	
16	AG610606	1	CIRCUIT BREAKER,40A (523314)	
17	509539D1	1	BRKT-GND STUD, RG	

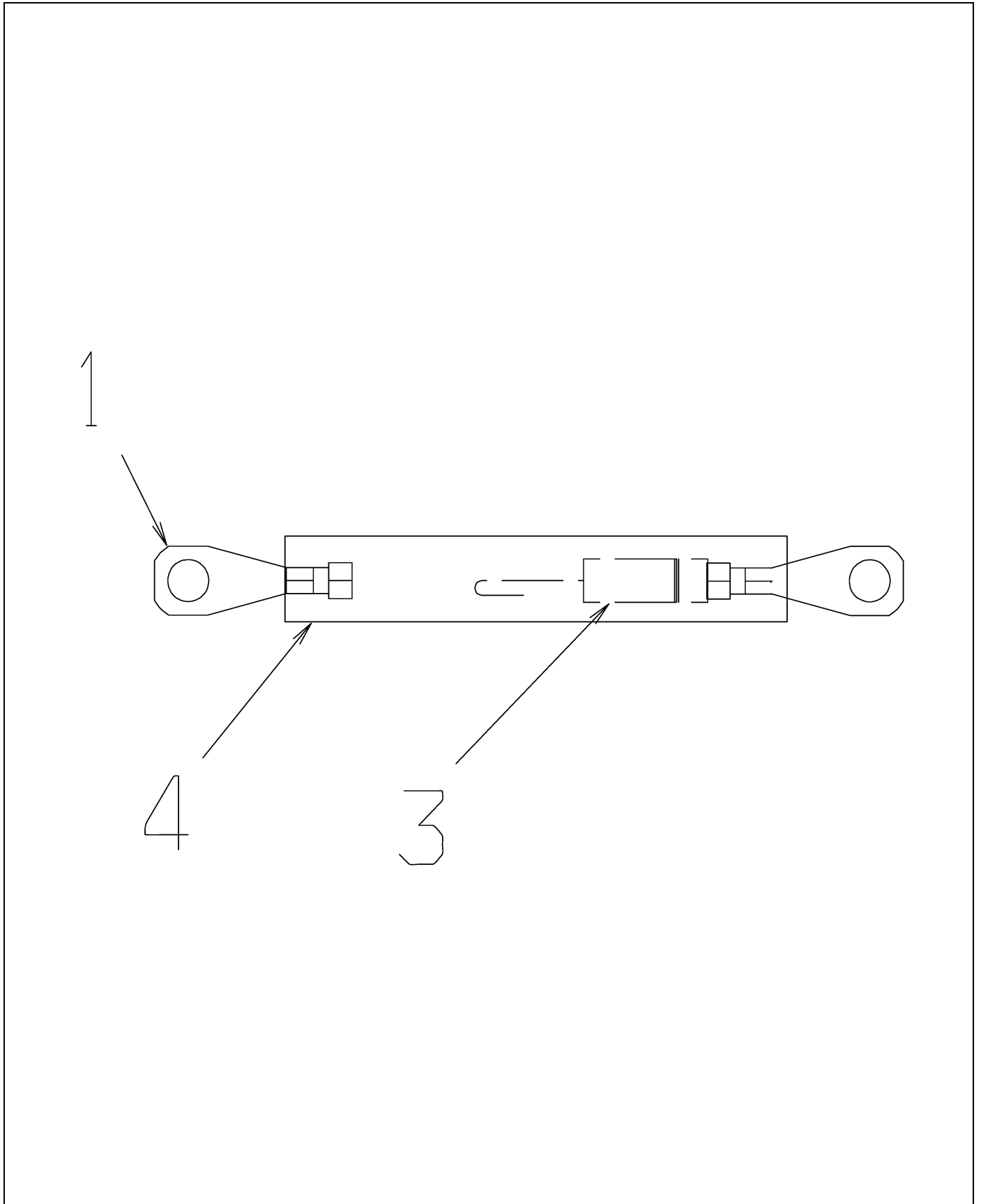


504371D1-01-M545-.TIF

BATTERY-INSTL,1274C,"06

ITEM	PART #	QTY	DESCRIPTION	COMMENTS
1	AG027275	2	NUT 0.25-20NC HEX SS REG NY	
2	AG123761	2	BATTERY-GROUP 31	
3	AG130037	-	BOX WLDMT-BATTERY	
4	AG223413	2	MAT BATTERY	
5	AG232490	1	SUPPRESSOR DIODE	SEE PAGE 9-15
6	AG239926	1	STRAP-HLDN,BATTERY	
7	AG510734	1	SWITCH MAGNETIC	
8	AG515121	4	WASHER 0.25 FL SS REG TYPE-B	
9	AG517657	2	SCREW #10-24X0.50 MACH HHD SS	
10	AG520910	1	SWITCH-BATTERY,SHUTOFF	
11	AG550213	6	NUT 0.31-18NC HEX ZN REG	
12	AG562054	2	BOLT 0.25-20NCX 0.75 SS HHD	
13	AG562081	2	WASHER #10 LK SS REG	
15	520070D1	2	GROMMET-INSULATION,RUBBER	

SUPPRESSOR DIODE

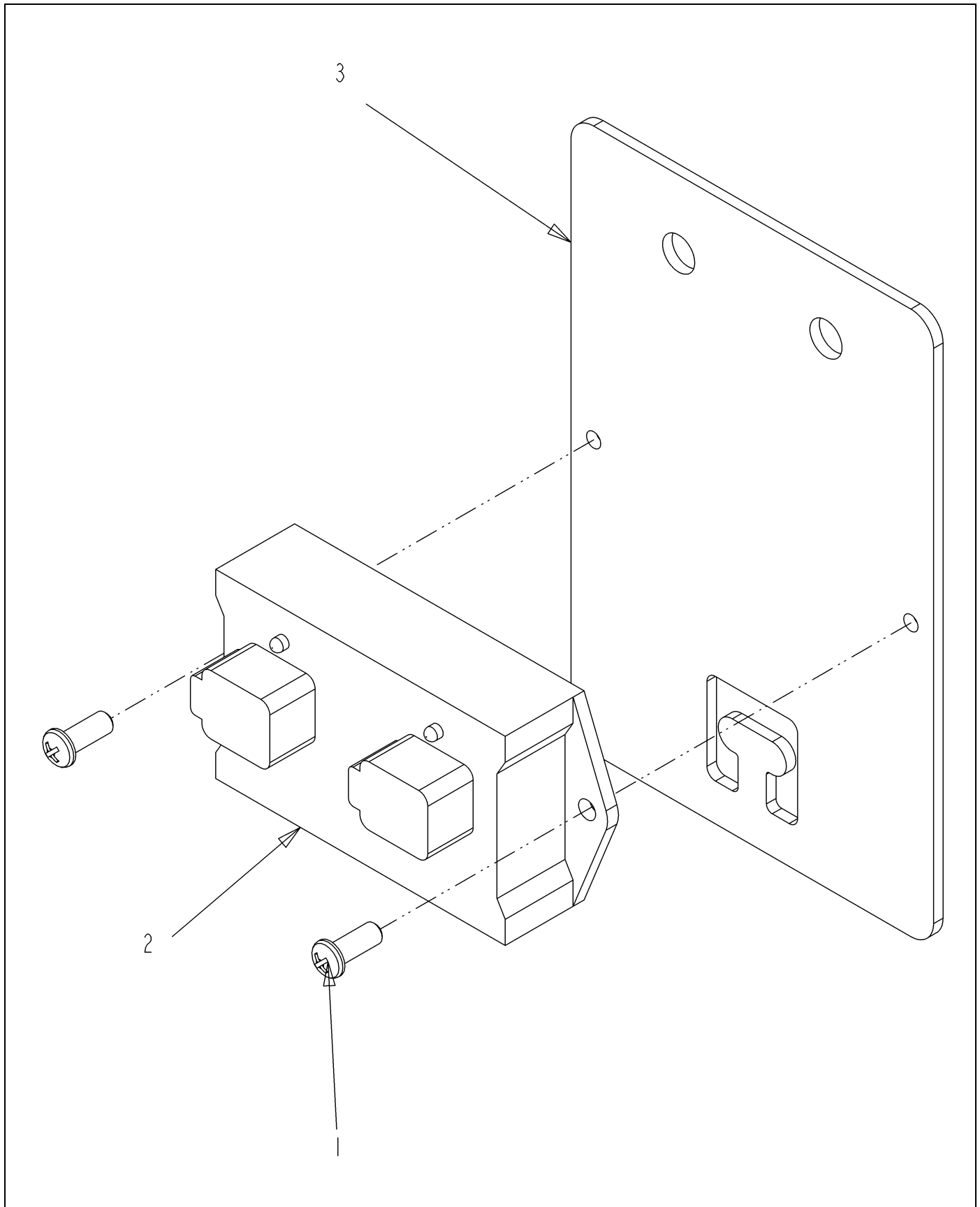


232490-C.TIF

SUPPRESSOR DIODE

ITEM	PART #	QTY	DESCRIPTION	COMMENTS
1	AG610401	2	TERM-RING,SAE B104 (503295)	
3	AG516865	1	SILICON RECTIFIER DIODE	
4	AG517550	-	TUBING HEAT SHRINK W/SEAL 1/4 [BULK: 0.166 FT]	

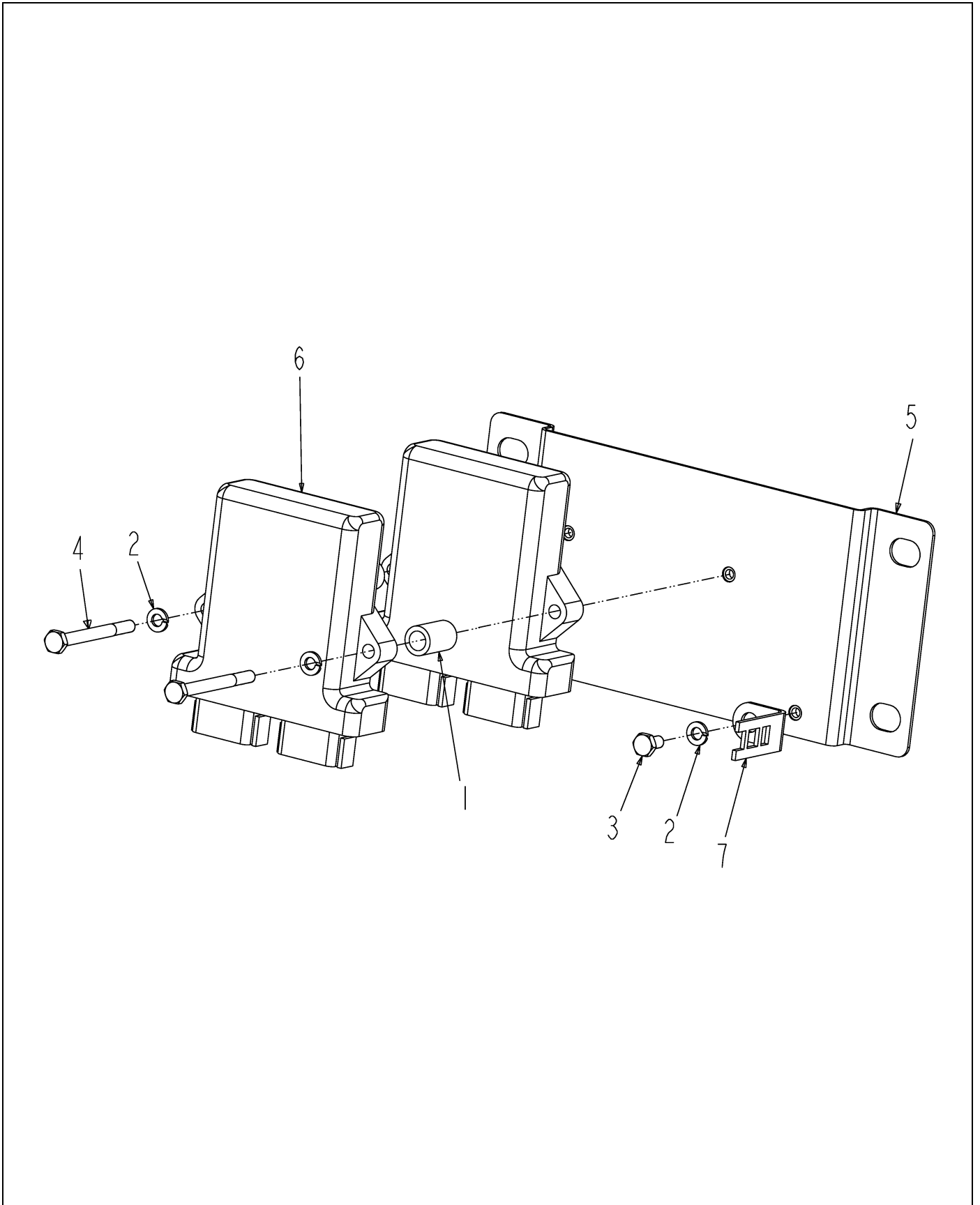
ASM-RELAY,FIREWALL



132694.TIF

ASM-RELAY,FIREWALL

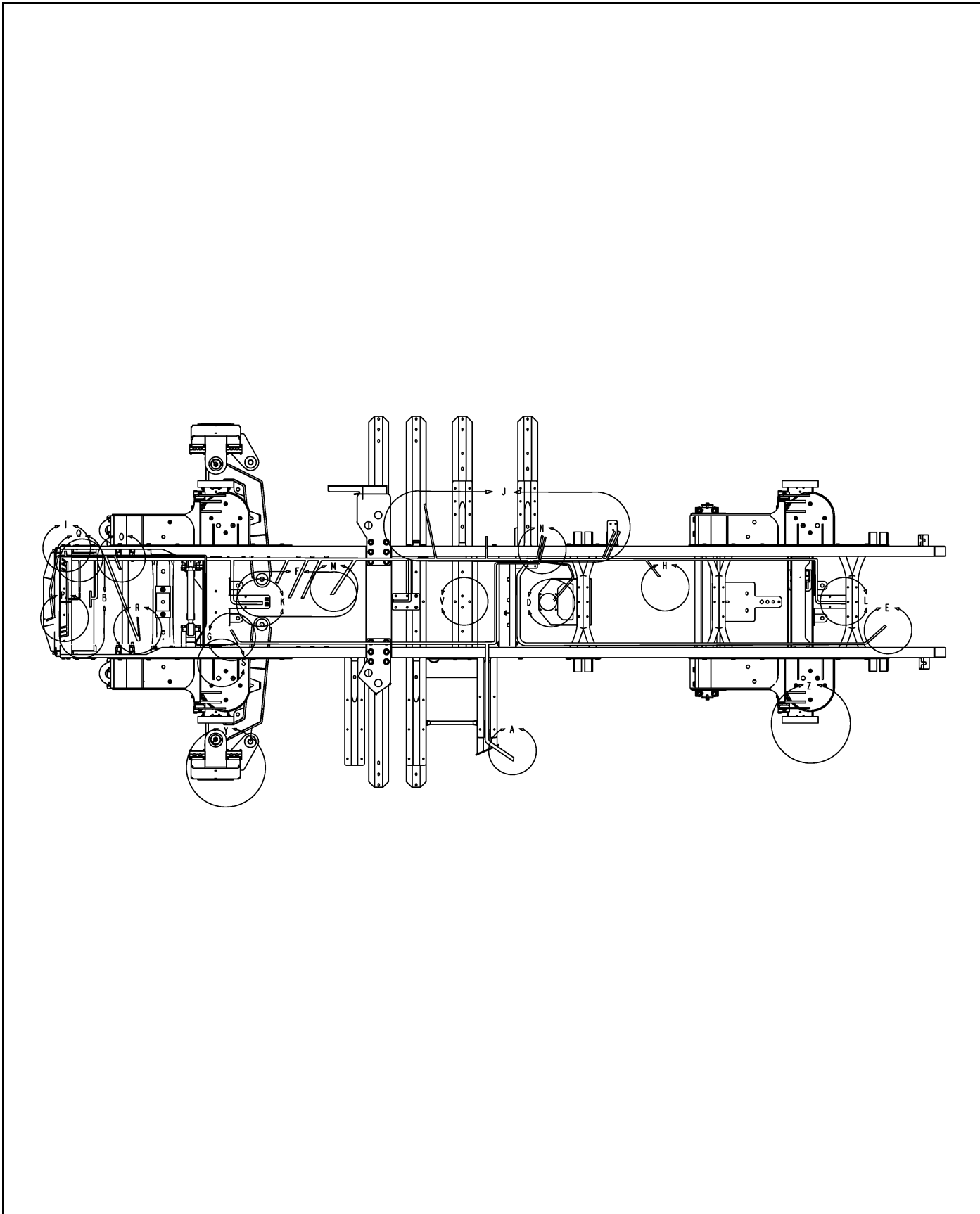
ITEM	PART #	QTY	DESCRIPTION	COMMENTS
1	AG029293	2	SCREW 10-24X0.50 TAP IWHHD	
2	AG121750	1	MODULE-RELAY,2 PACK	
3	AG132693	1	PLATE-RELAY,FIREWALL	



509507D1-02-N969-.TIF

ASM-I/O,CHASSIS,6SPD,RG

ITEM	PART #	QTY	DESCRIPTION	COMMENTS
1	AG108980	2	TUBE STANDOFF	
2	AG515122	3	WASHER 0.25 LK SS REG	
3	AG562047	1	BOLT 0.25-20NCX 0.50 SS HHD	
4	AG562129	2	BOLT 0.25-20NCX 2.75 SS HHD	
6	516006D1	2	MODULE ASM-I/O,CAN	
6	509506D1	1	WLDMT-BRKT,TA,I/O,FRONT	
7	CH132-5789	1	CLIP-LADDER 90°X47.5MM V COAT	

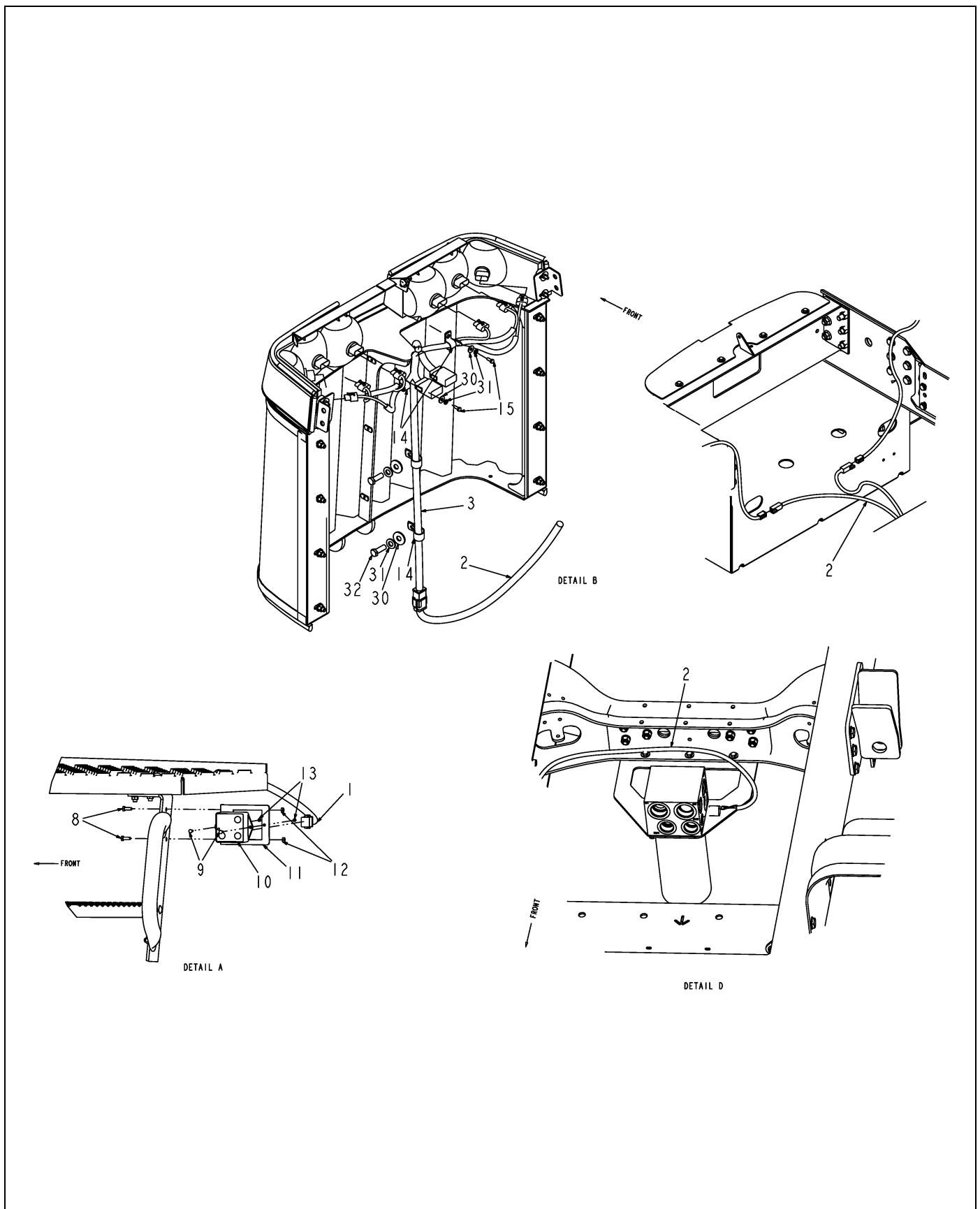


512377D1-04-R065-01.TIF

HARN INSTL-CHAS,1286C,NON DOM

ITEM	PART #	QTY	DESCRIPTION	COMMENTS
1	512379D1	1	HARN-ENG ELECTRONICS,TIII,RG	
7	AG518989	AR	SEALANT NONCORROSIVE 10.3 OZ	

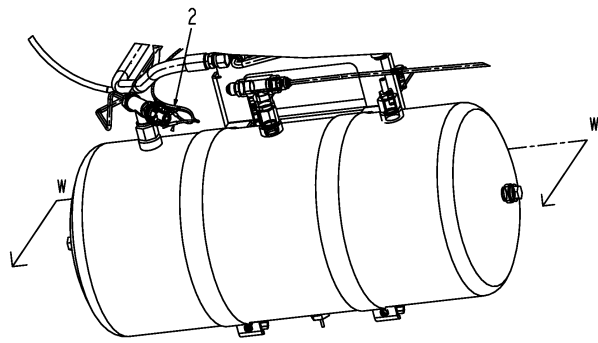
HARN INSTL-CHAS,1286C,NON DOM



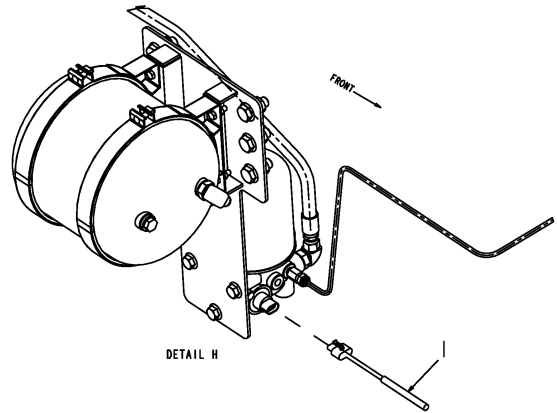
512377D1-04-R065-02.TIF

HARN INSTL-CHAS,1286C,NON DOM

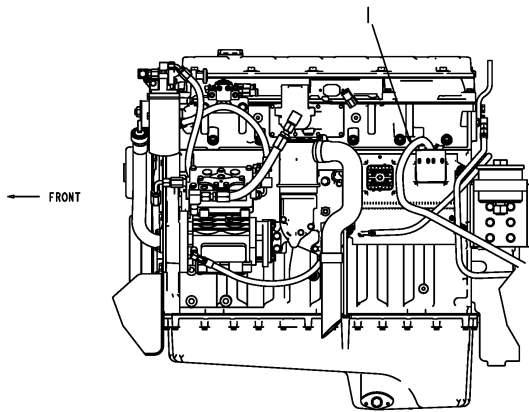
ITEM	PART #	QTY	DESCRIPTION	COMMENTS
1	512379D1	1	HARN-ENG ELECTRONICS,TIII,RG	
2	515569D1	1	HARNESS-I/O,CHASSIS,RG	
3	AG122019	1	HARNESS-ROAD LIGHTS,864	
8	AG562054	2	BOLT 0.25-20NCX 0.75 SS HHD	
9	AG562067	2	SCREW 8-32X 0.75 MA SS SL RHD	
10	AG121751	1	MODULE-REMOTE THROTTLE	
11	AG122239	1	BRACKET-REMOT THROTTLE MODULE	
12	AG027275	2	NUT 0.25-20NC HEX SS REG NY	
13	AG563176	2	NUT #8-32NC HEX SS REG NY	
14	AG562237	4	CLAMP CTD 0.75IDX0.75WIDE	
15	AG562327	2	BOLT M6-1.00X20MM G8.8 ZN HHD	
30	AG550507	4	WASHER 0.25 FL ZN REG TYPE-B	
31	AG550493	4	WASHER 0.25 LK ZN REG	
32	AG550485	2	BOLT 0.25-20NCX 0.75 G5 ZN HHD	



DETAIL E



DETAIL H

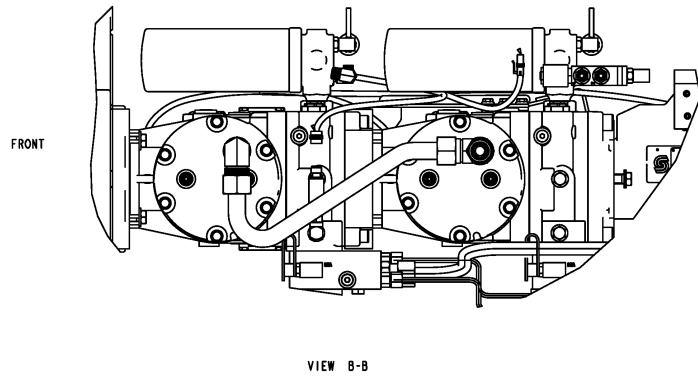
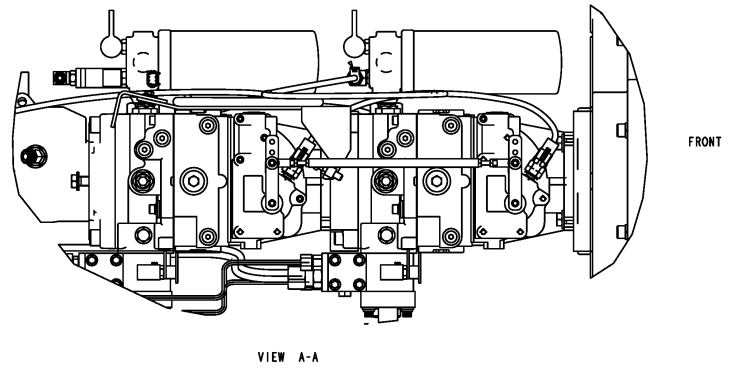
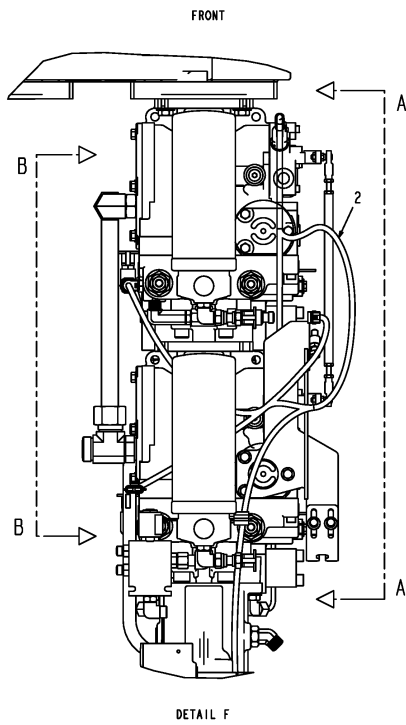


DETAIL G

512377D1-04-R065-03.TIF

HARN INSTL-CHAS,1286C,NON DOM

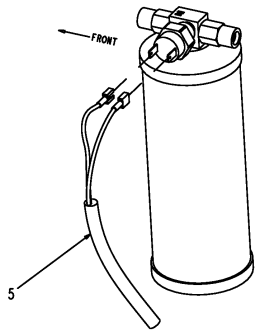
ITEM	PART #	QTY	DESCRIPTION	COMMENTS
1	512379D1	1	HARN-ENG ELECTRONICS,TIII,RG	



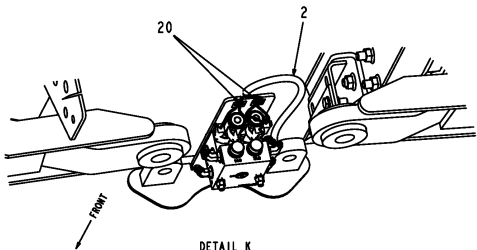
512377D1-04-R065-04.TIF

HARN INSTL-CHAS,1286C,NON DOM

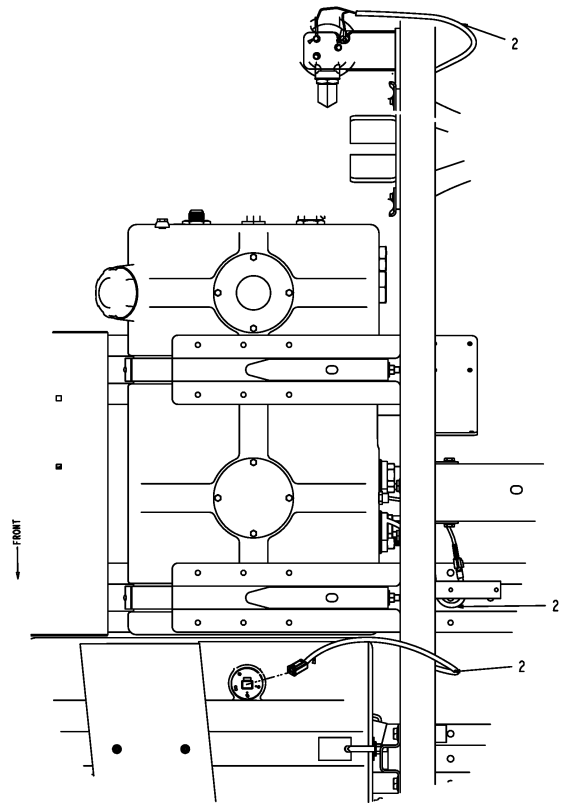
ITEM	PART #	QTY	DESCRIPTION	COMMENTS
2	515569D1	1	HARNES-I/O,CHASSIS,RG	



DETAIL I



DETAIL K

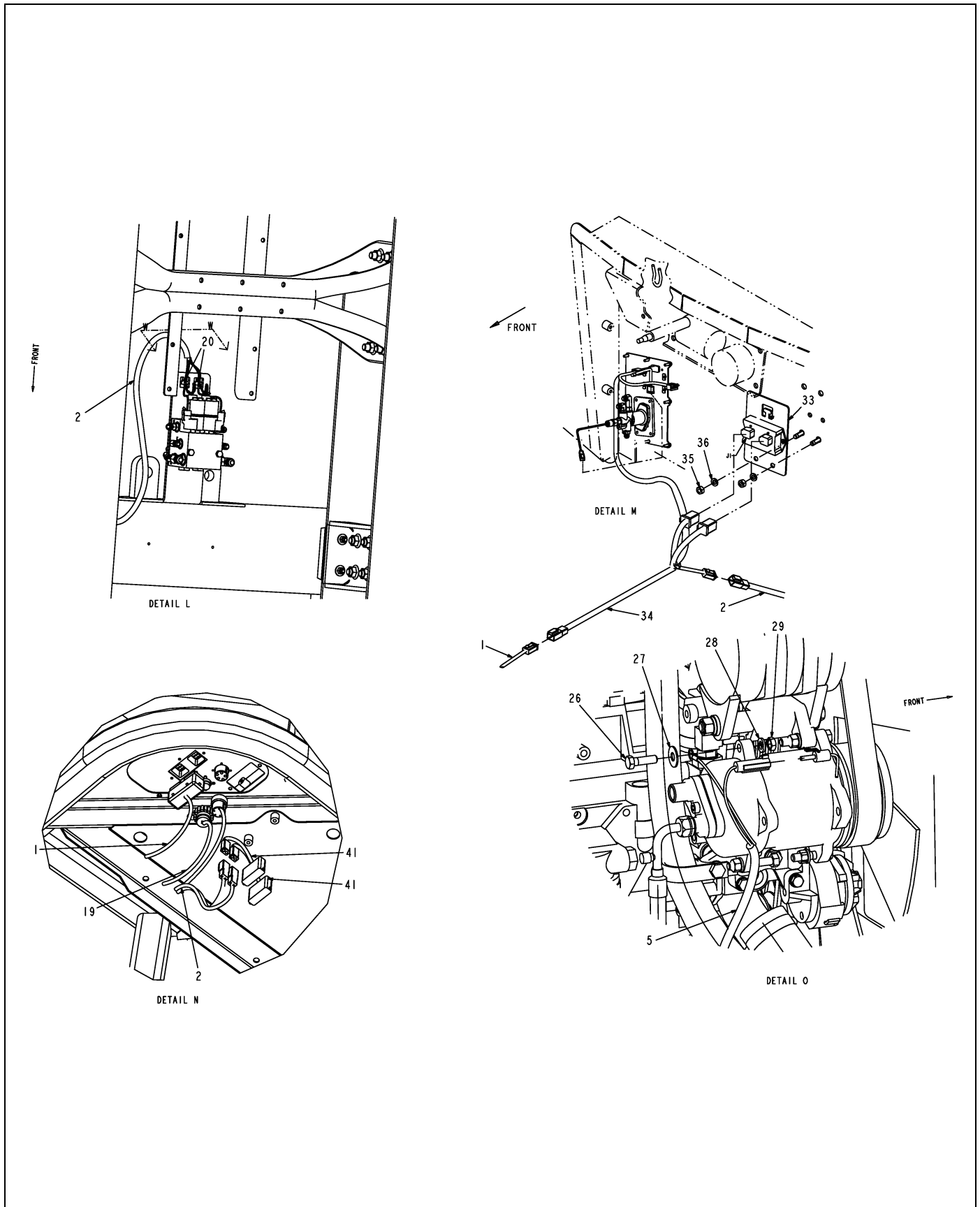


DETAIL J

512377D1-04-R065-05.TIF

HARN INSTL-CHAS,1286C,NON DOM

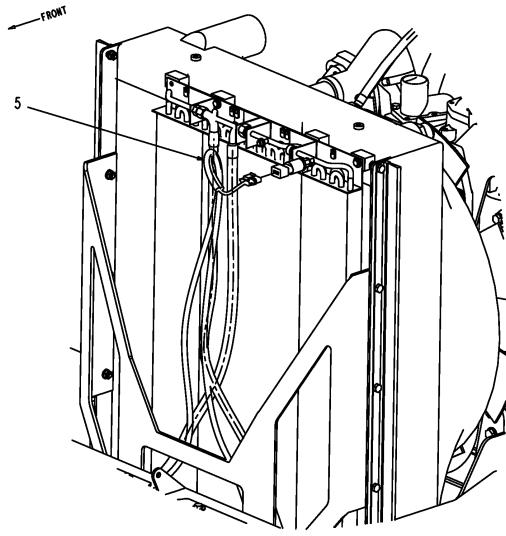
ITEM	PART #	QTY	DESCRIPTION	COMMENTS
2	515569D1	1	HARNES-I/O,CHASSIS,RG	
5	503994D1	1	HARN-ENGINE ELCTRICAL,RG	
20	AG553557	AR	TIE CABLE 7.37 .06-1.37 BLACK	



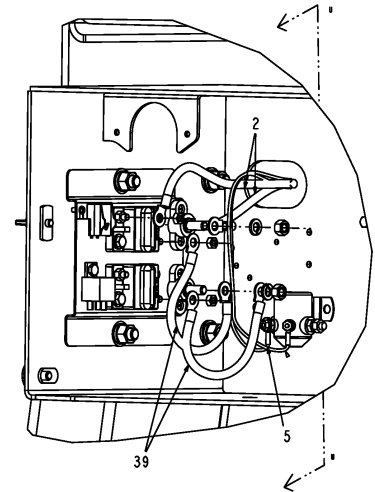
512377D1-04-R065-06.TIF

HARN INSTL-CHAS,1286C,NON DOM

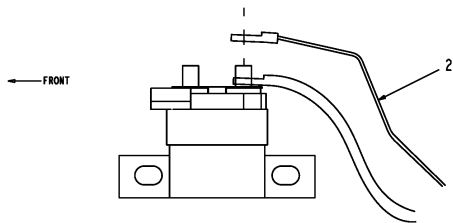
ITEM	PART #	QTY	DESCRIPTION	COMMENTS
1	512379D1	1	HARN-ENG ELECTRONICS,TIII,RG	
2	515569D1	1	HARNESS-I/O,CHASSIS,RG	
5	503994D1	1	HARN-ENGINE ELCTRICAL,RG	
19	AG520859	-	RADAR-DJ,7.5FT	
20	AG553557	AR	TIE CABLE 7.37 .06-1.37 BLACK	
26	AG604167	1	BOLT 0.37-16NCX 1.25 S.S. HHD	
27	AG562072	1	WASHER 0.37 FL SS SAE TYPE-A	
28	AG562050	1	WASHER 0.37 LK SS REG	
29	AG562065	1	NUT 0.37-16NC HEX SS REG	
33	AG132694	1	ASM-RELAY,FIREWALL	SEE PAGE 9-16
34	503996D1	1	HARN-HP DERATE,WIPER/BRAKE	
35	AG520772	2	NUT-M8-1.25,,SS,HHD	
36	AG562051	2	WASHER 0.31 LK SS REG	
41	AG128409	2	HARNESS-I/O,LOAD,SIMULATOR	



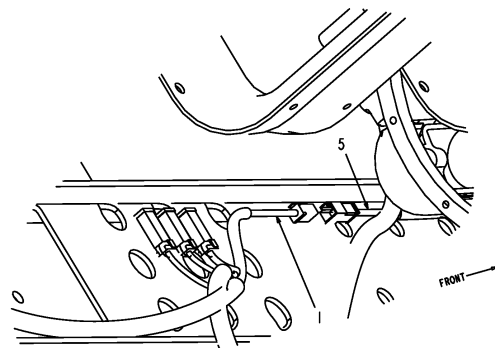
DETAIL P



DETAIL Q



DETAIL R

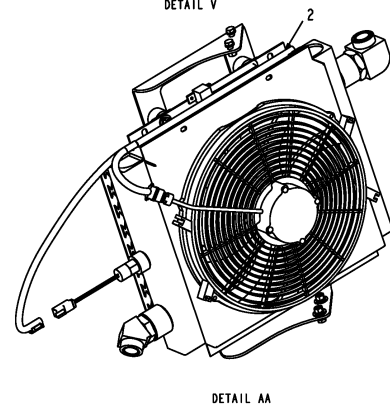
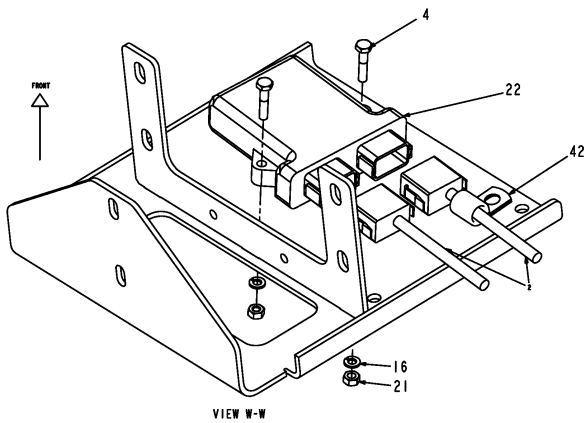
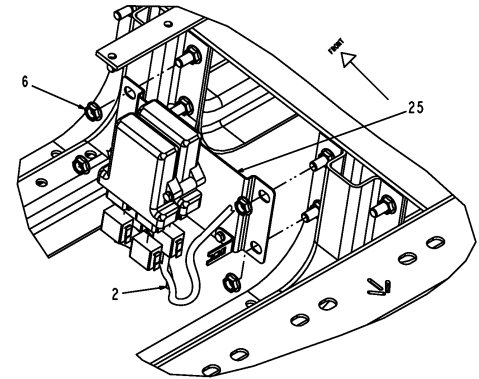
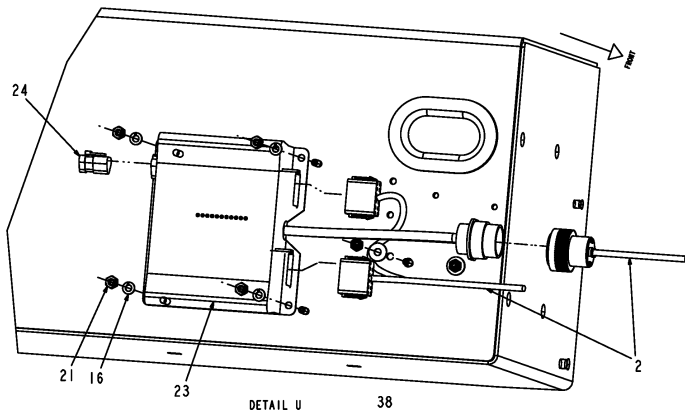


DETAIL S

512377D1-04-R065-07.TIF

HARN INSTL-CHAS,1286C,NON DOM

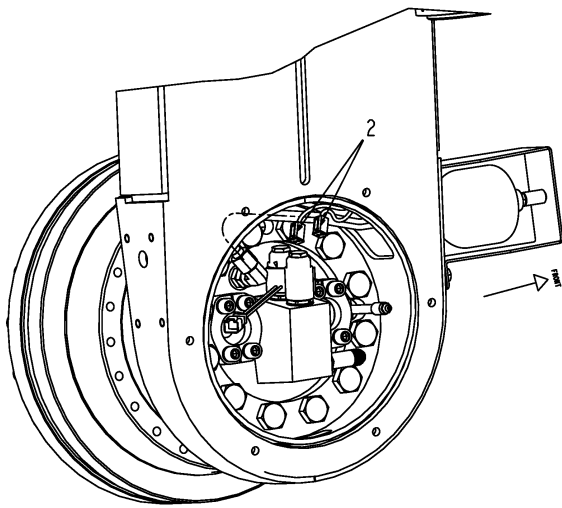
ITEM	PART #	QTY	DESCRIPTION	COMMENTS
1	512379D1	1	HARN-ENG ELECTRONICS,TIII,RG	
2	515569D1	1	HARNESS-I/O,CHASSIS,RG	
5	503994D1	1	HARN-ENGINE ELCTRICAL,RG	
39	503884D1	2	CABLE-POWER,ROLL TARP	



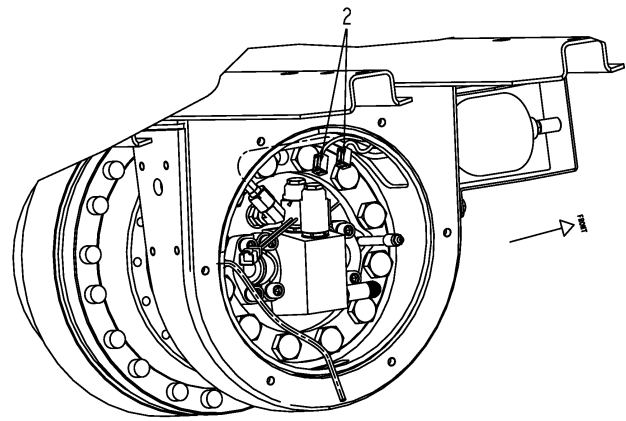
512377D1-04-R065-08.TIF

HARN INSTL-CHAS,1286C,NON DOM

ITEM	PART #	QTY	DESCRIPTION	COMMENTS
2	515569D1	1	HARNES-I/O,CHASSIS,RG	
4	AG561952	2	BOLT 0.25-20NCX 1.25 SS HHD	
6	AG606489	4	NUT HX FLG 0.50-20NF	
16	AG515122	6	WASHER 0.25 LK SS REG	
21	AG515123	6	NUT 0.25-20NC HEX SS REG	
22	516006D1	1	MODULE ASM-I/O,CAN	
23	AG128285	1	MODULE-I/O,HIGH,CURRENT	
24	AG522410	1	TERMINATOR-PLUG,3WAY,J1939	
25	509507D1	1	ASM-I/O,CHASSIS,6SPD,RG	SEE PAGE 9-17
42	WR55233	1	CLAMP-SUPPORT CUSHION,	



DETAIL Z

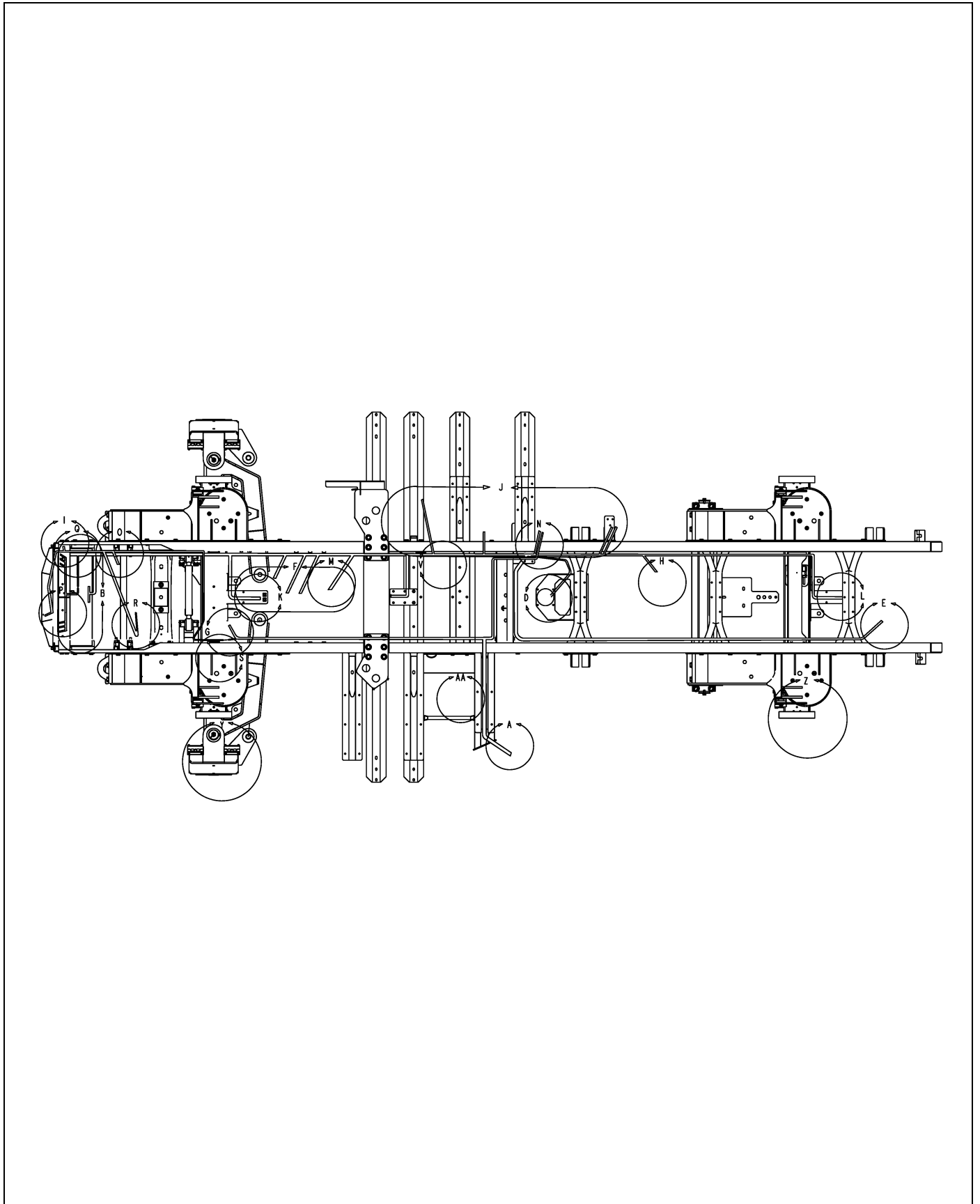


DETAIL Y

512377D1-04-R065-09.TIF

HARN INSTL-CHAS,1286C,NON DOM

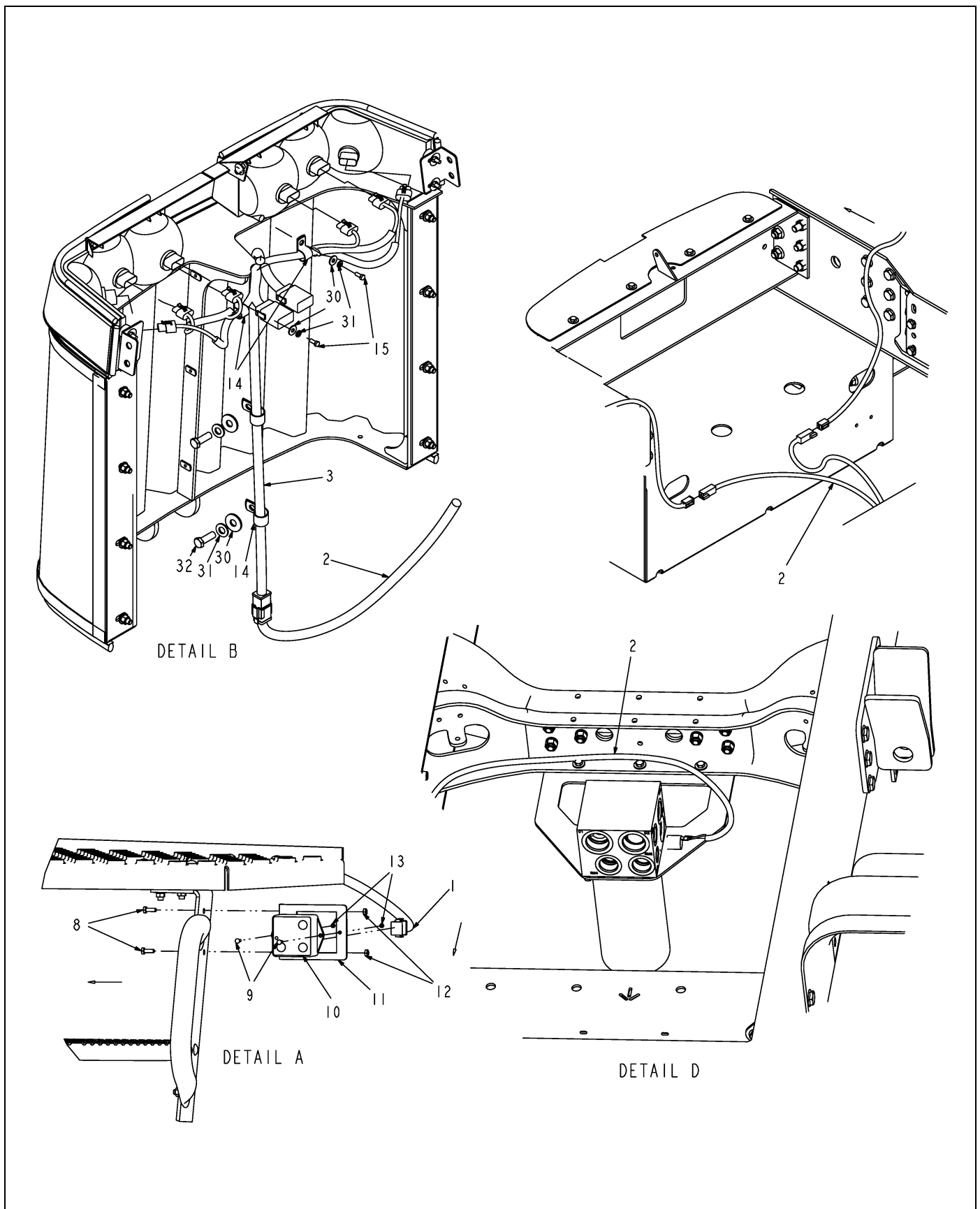
ITEM	PART #	QTY	DESCRIPTION	COMMENTS
2	515569D1	1	HARNES-I/O,CHASSIS,RG	



512378D1-04-R065-01.TIF

HARNESS INSTL-CHASSIS,1286C

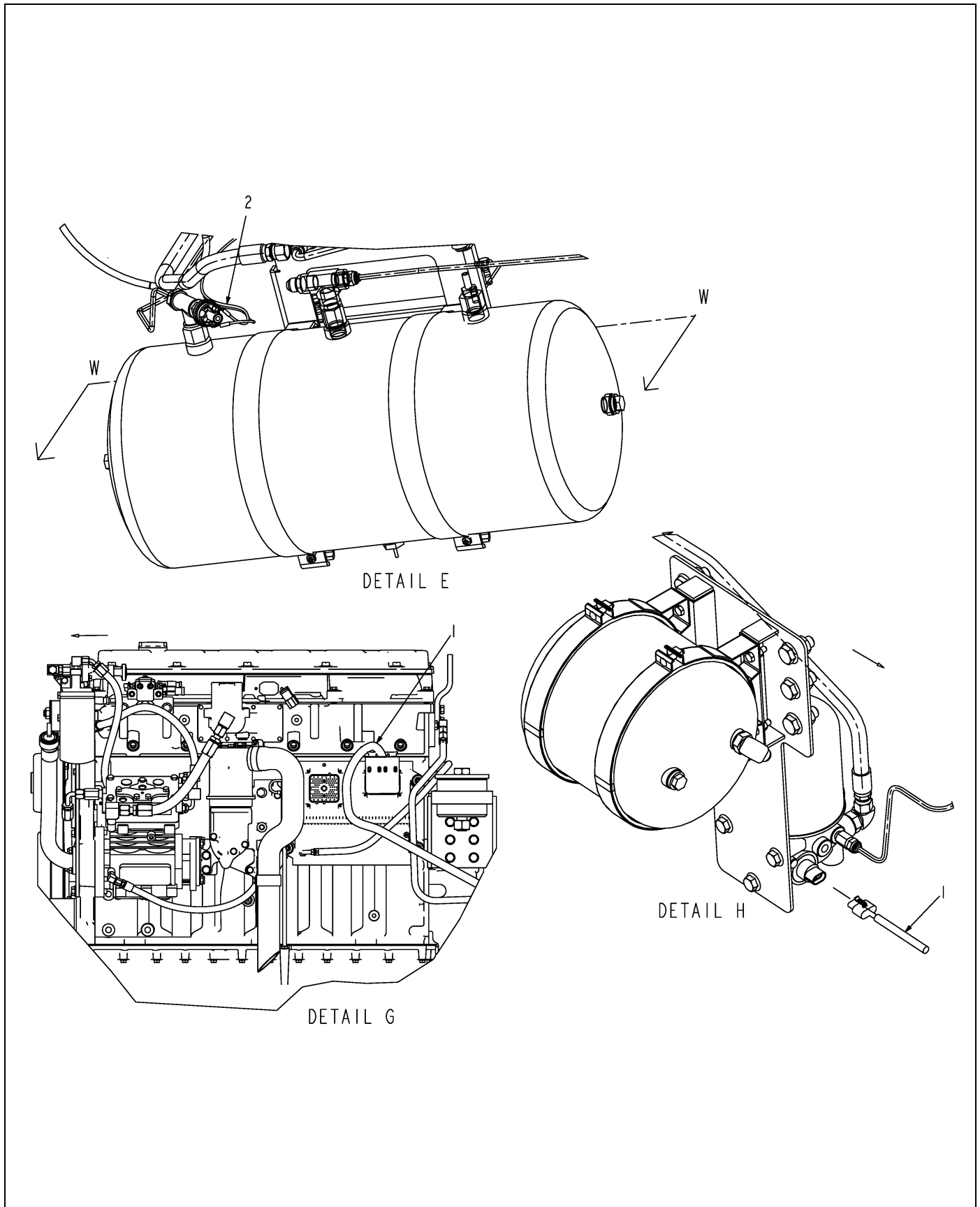
ITEM	PART #	QTY	DESCRIPTION	COMMENTS
	FOOTNOTE		ASSEMBLY DETAIL IMAGE, SEE RELATED PAGES FOR FURTHER BREAKDOWNS	



512378D1-04-R065-02.TIF

HARNES INSTL-CHASSIS,1286C

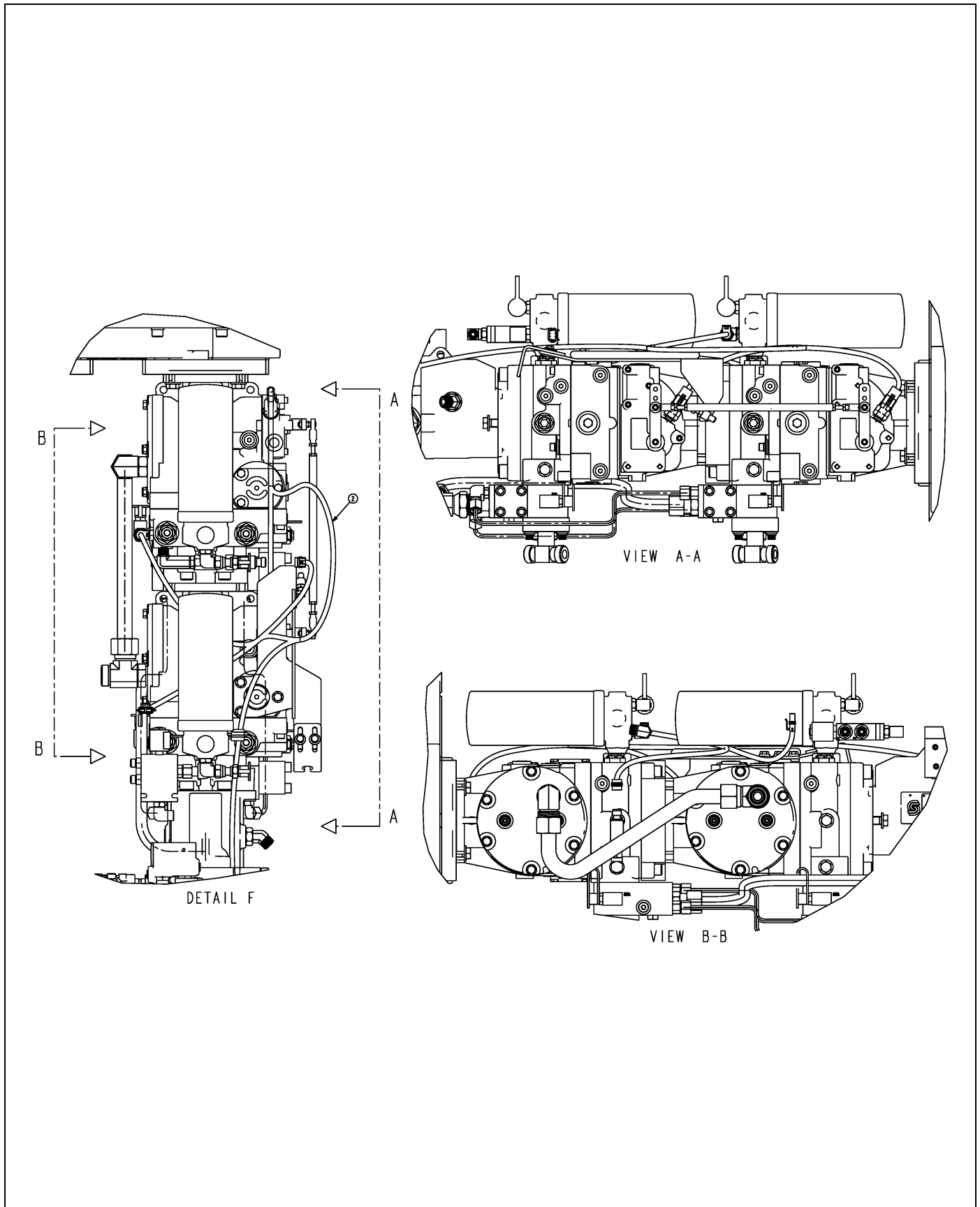
ITEM	PART #	QTY	DESCRIPTION	COMMENTS
1	512379D1	1	HARN-ENG ELECTRONICS,TIII,RG	
2	515568D1	1	HARNES-I/O,CHASSIS,RG	
3	AG122019	1	HARNES-ROAD LIGHTS,864	
7	AG518989	AR	SEALANT NONCORROSIVE 10.3 OZ	
8	AG562054	2	BOLT 0.25-20NCX 0.75 SS HHD	
9	AG562067	2	SCREW 8-32X 0.75 MA SS SL RHD	
10	AG121751	1	MODULE-REMOTE THROTTLE	
11	AG122239	1	BRACKET-REMOT THROTTLE MODULE	
12	AG027275	2	NUT 0.25-20NC HEX SS REG NY	
13	AG563176	2	NUT #8-32NC HEX SS REG NY	
14	AG562237	4	CLAMP CTD 0.75IDX0.75WIDE	
15	AG562327	2	BOLT M6-1.00X20MM G8.8 ZN HHD	
30	AG550507	4	WASHER 0.25 FL ZN REG TYPE-B	
31	AG550493	4	WASHER 0.25 LK ZN REG	
32	AG550485	2	BOLT 0.25-20NCX 0.75 G5 ZN HHD	



512378D1-04-R065-03.TIF

HARNESSTL-CHASSIS,1286C

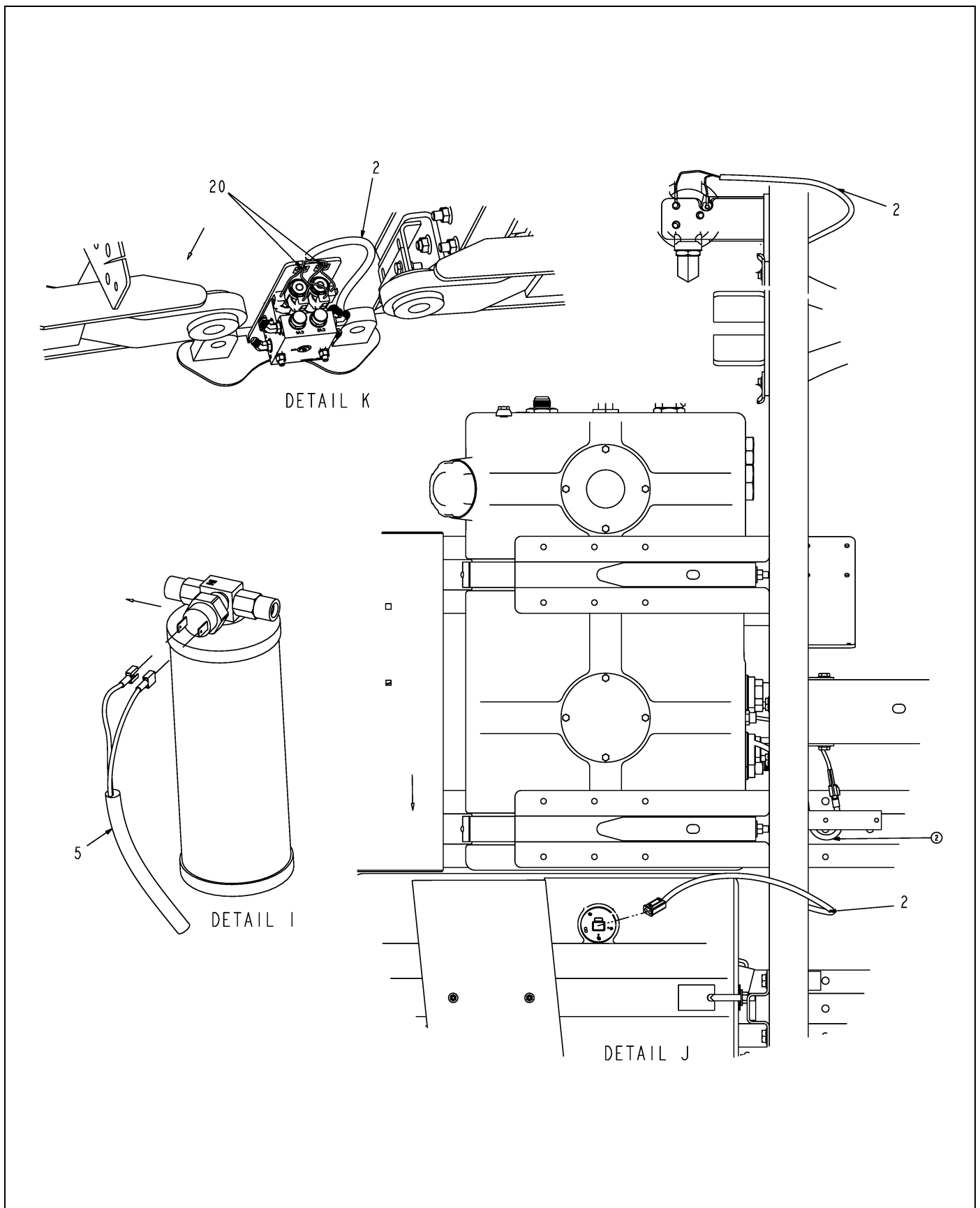
ITEM	PART #	QTY	DESCRIPTION	COMMENTS
1	512379D1	1	HARN-ENG ELECTRONICS,TIII,RG	
2	515568D1	1	HARNESSTL-CHASSIS,1286C	



512378D1-04-R065-04.TIF

HARNESS INSTL-CHASSIS,1286C

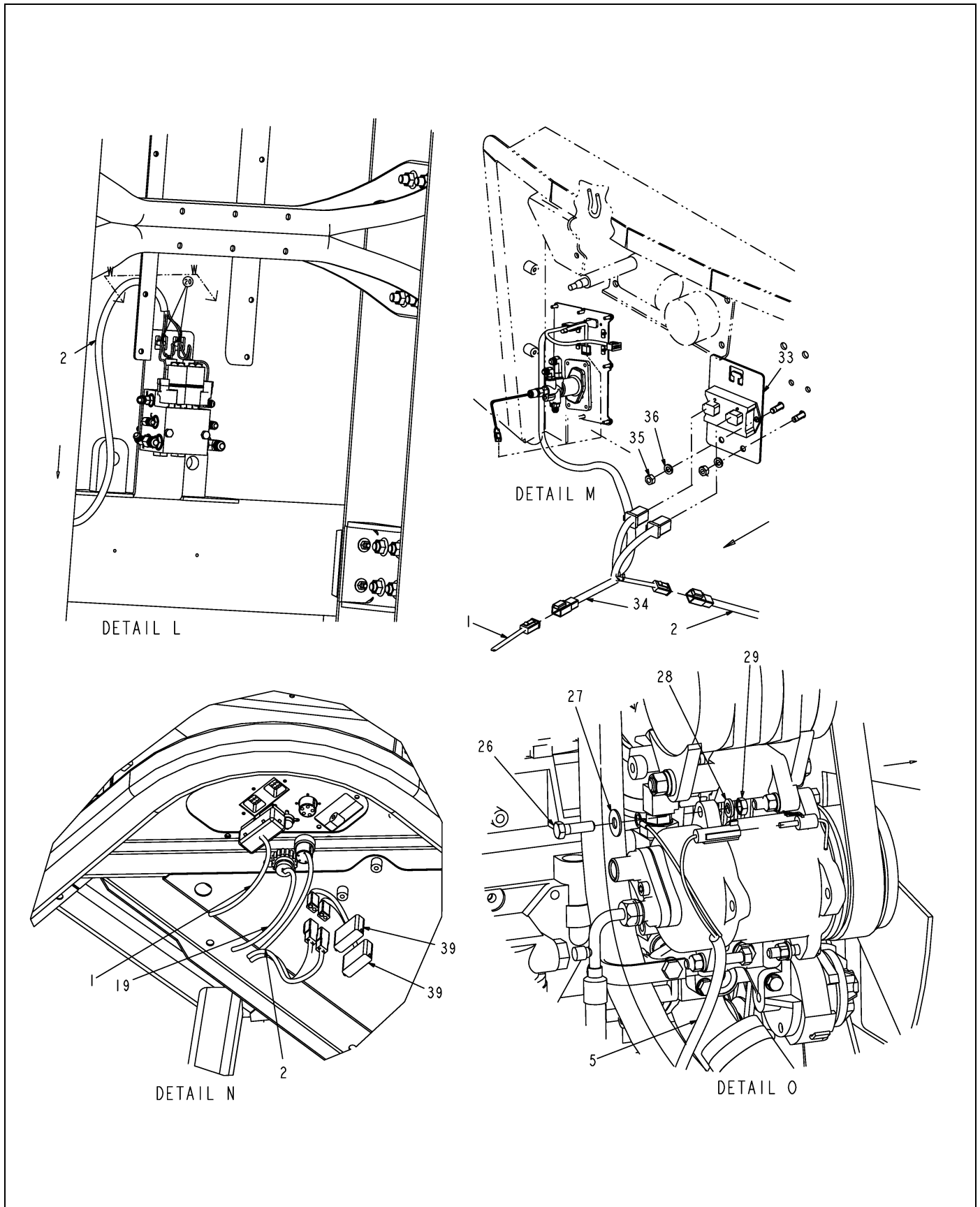
ITEM	PART #	QTY	DESCRIPTION	COMMENTS
2	515568D1	1	HARNESS-I/O,CHASSIS,RG	



512378D1-04-R065-05.TIF

HARNESS INSTL-CHASSIS,1286C

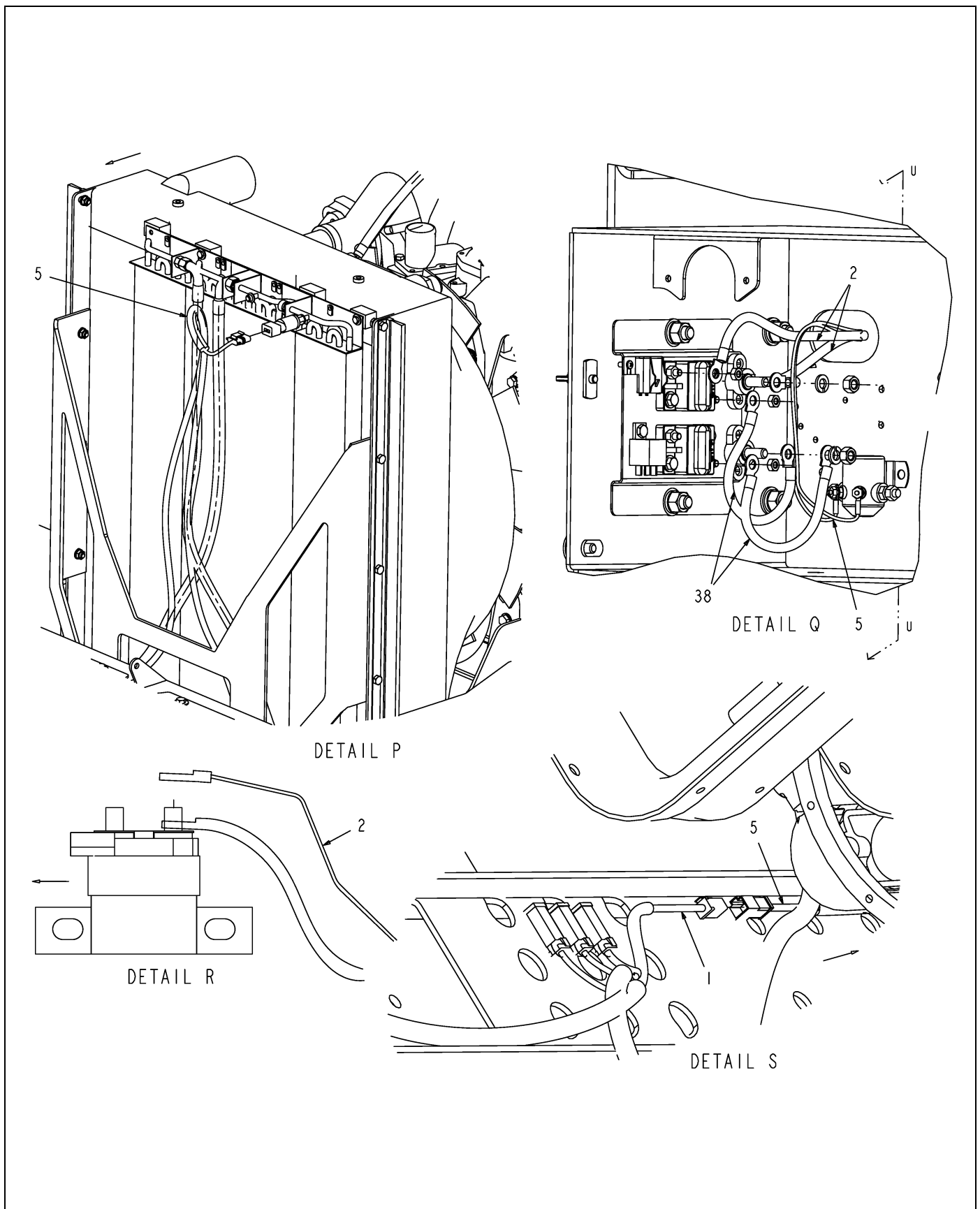
ITEM	PART #	QTY	DESCRIPTION	COMMENTS
2	515568D1	1	HARNESS-I/O,CHASSIS,RG	
5	503994D1	1	HARN-ENGINE ELCTRICAL,RG	
20	AG553557	AR	TIE CABLE 7.37 .06-1.37 BLACK	



512378D1-04-R065-06.TIF

HARNESSTL-CHASSIS,1286C

ITEM	PART #	QTY	DESCRIPTION	COMMENTS
1	512379D1	1	HARN-ENG ELECTRONICS,TIII,RG	
2	515568D1	1	HARNESSTL-CHASSIS,RG	
5	503994D1	1	HARN-ENGINE ELCTRICAL,RG	
19	AG520859	-	RADAR-DJ,7.5FT	
26	AG604167	1	BOLT 0.37-16NCX 1.25 S.S. HHD	
27	AG562072	1	WASHER 0.37 FL SS SAE TYPE-A	
28	AG562050	1	WASHER 0.37 LK SS REG	
29	AG562065	1	NUT 0.37-16NC HEX SS REG	
33	AG132694	1	ASM-RELAY,FIREWALL	SEE PAGE 9-16
34	503996D1	1	HARN-HP DERATE,WIPER/BRAKE	
35	AG520772	2	NUT-M8-1.25,,SS,HHD	
36	AG562051	2	WASHER 0.31 LK SS REG	
39	AG128409	2	HARNESSTL-LOAD,SIMULATOR	

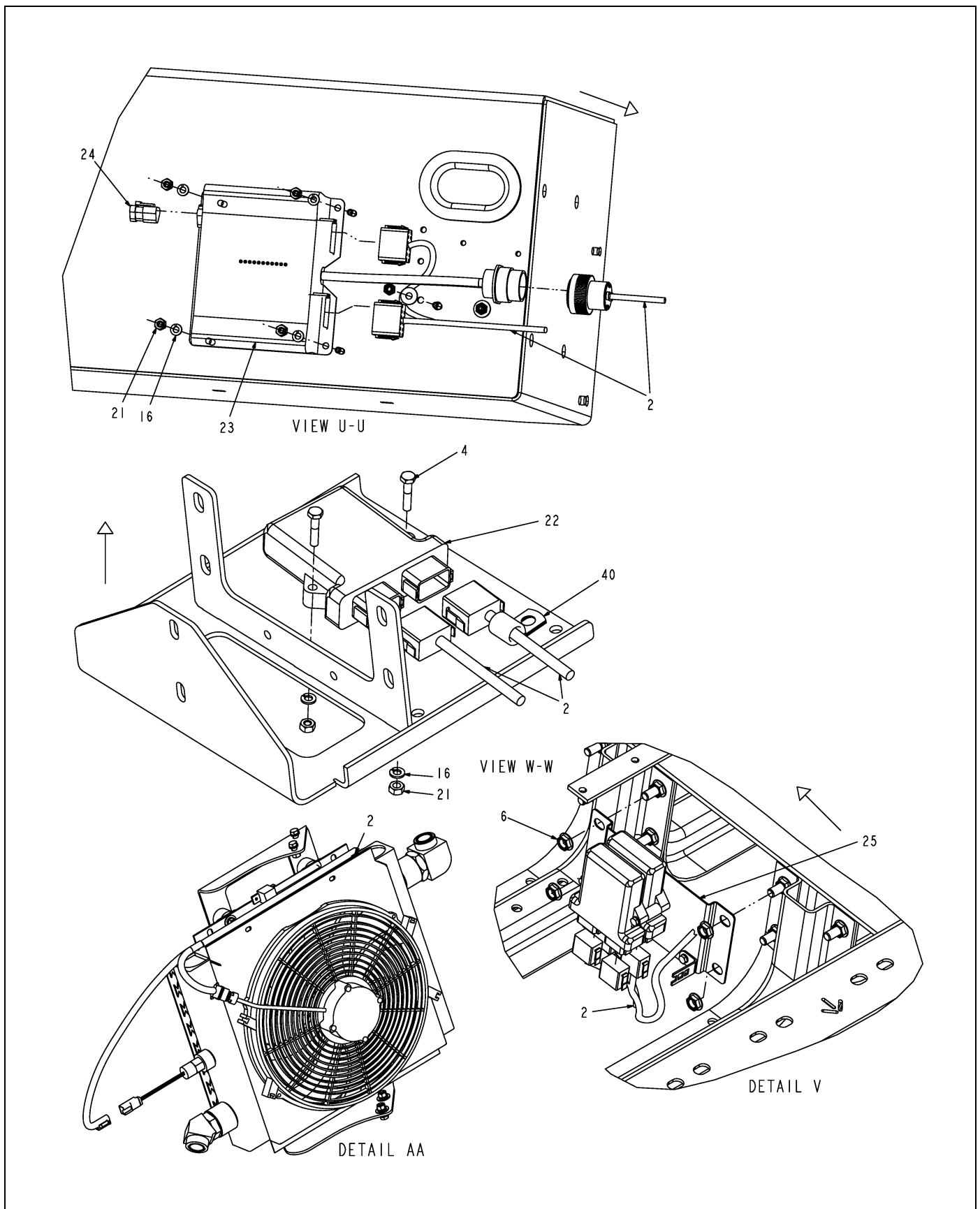


512378D1-04-R065-07.TIF

HARNESS INSTL-CHASSIS,1286C

ITEM	PART #	QTY	DESCRIPTION	COMMENTS
1	512379D1	1	HARN-ENG ELECTRONICS,TIII,RG	
2	515568D1	1	HARNESS-I/O,CHASSIS,RG	
5	503994D1	1	HARN-ENGINE ELCTRICAL,RG	
38	503884D1	2	CABLE-POWER,ROLL TARP	

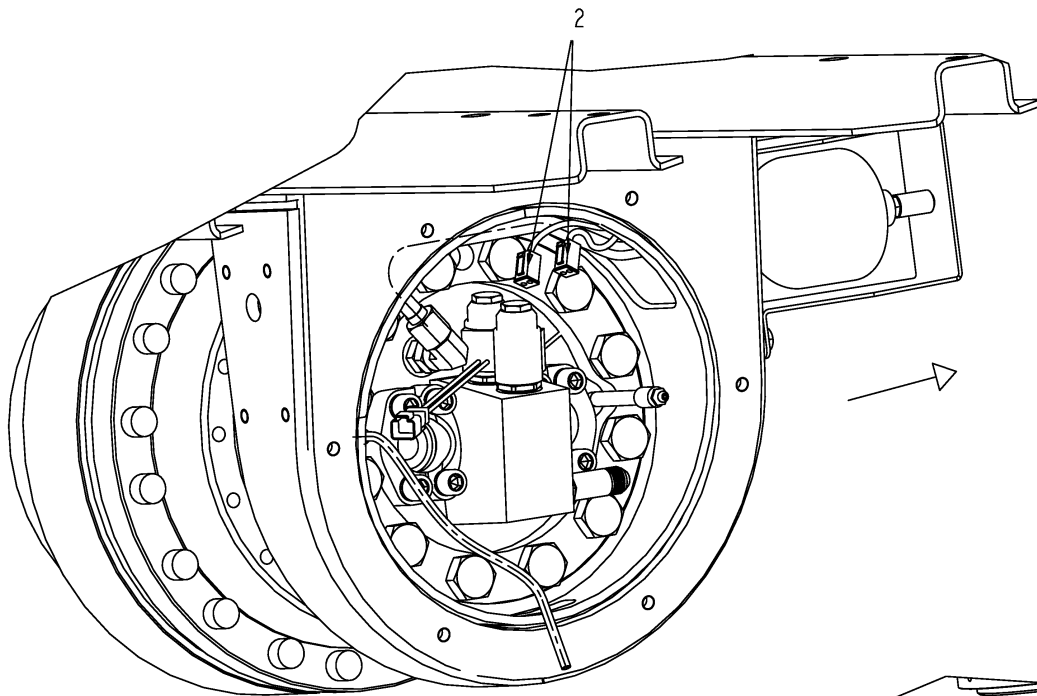
HARNESS INSTL-CHASSIS,1286C



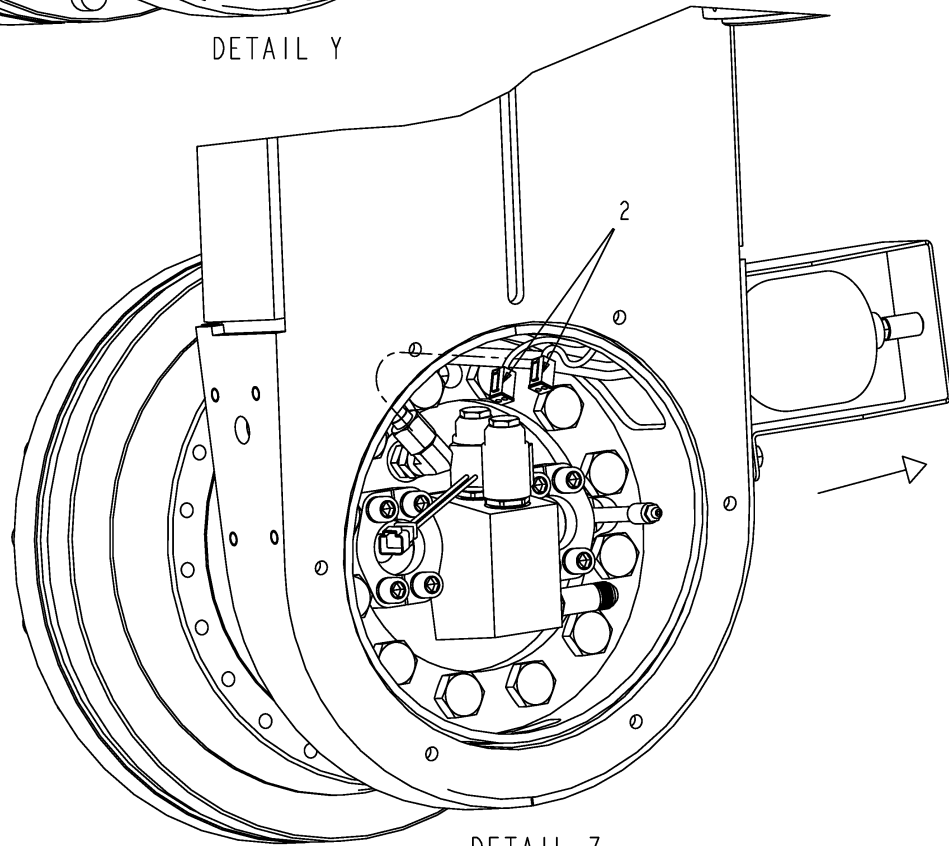
512378D1-04-R065-08.TIF

HARNESSTL-CHASSIS,1286C

ITEM	PART #	QTY	DESCRIPTION	COMMENTS
2	515568D1	1	HARNESSTL-CHASSIS,RG	
4	AG561952	2	BOLT 0.25-20NCX 1.25 SS HHD	
6	AG606489	4	NUT HX FLG 0.50-20NF	
16	AG515122	6	WASHER 0.25 LK SS REG	
21	AG515123	6	NUT 0.25-20NC HEX SS REG	
22	516006D1	1	MODULE ASM-I/O,CAN	
23	AG128285	1	MODULE-I/O,HIGH,CURRENT	
24	AG522410	1	TERMINATOR-PLUG,3WAY,J1939	
25	509507D1	1	ASM-I/O,CHASSIS,6SPD,RG	SEE PAGE 9-17
40	WR55233	1	CLAMP-SUPPORT CUSHION,	



DETAIL Y



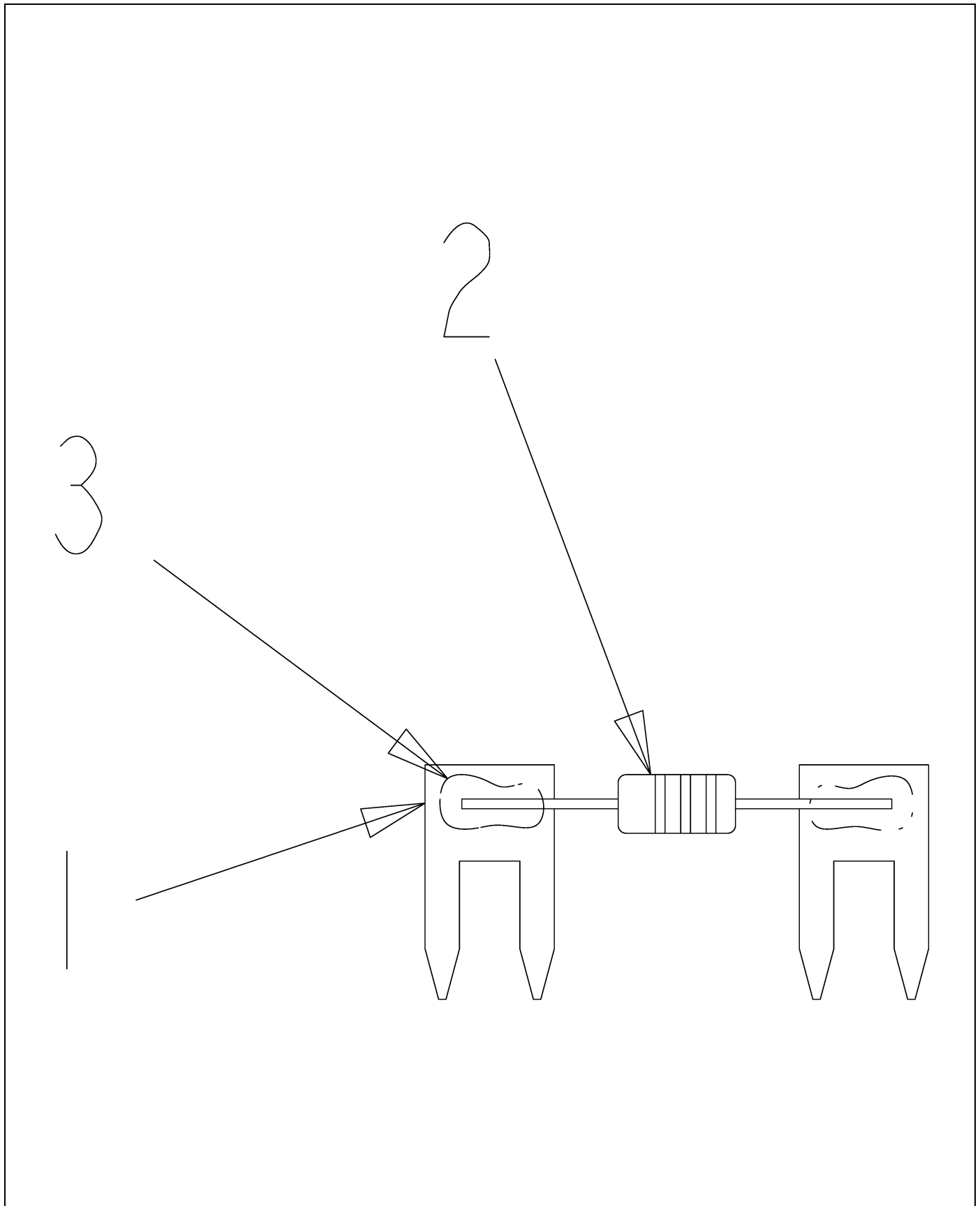
DETAIL Z

512378D1-04-R065-09.TIF

HARNESS INSTL-CHASSIS,1286C

ITEM	PART #	QTY	DESCRIPTION	COMMENTS
2	515568D1	1	HARNESS-I/O,CHASSIS,RG	

RESISTOR ASM-680 OHM,4 PRONG

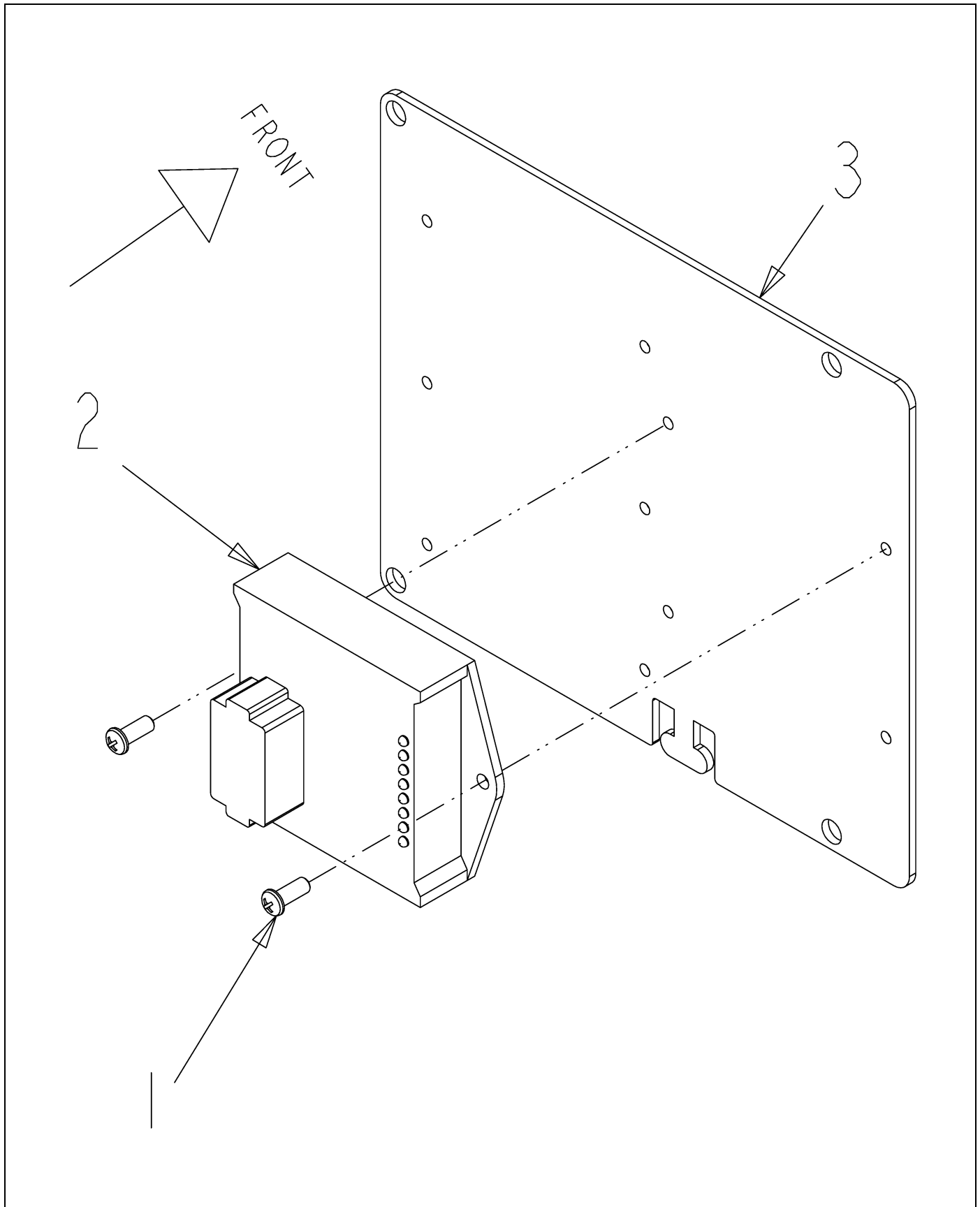


125381-A-J985-.TIF

RESISTOR ASM-680 OHM,4 PRONG

ITEM	PART #	QTY	DESCRIPTION	COMMENTS
1	AG519702	2	BUSS BAR-2 GANG SPLICE PACK	
2	AG517694	1	RESISTOR 680 OHM	
3	AG519757	AR	SOLDER H2O SOLUBLE FLUX CORE	

FLASHER INSTL-DOMESTIC

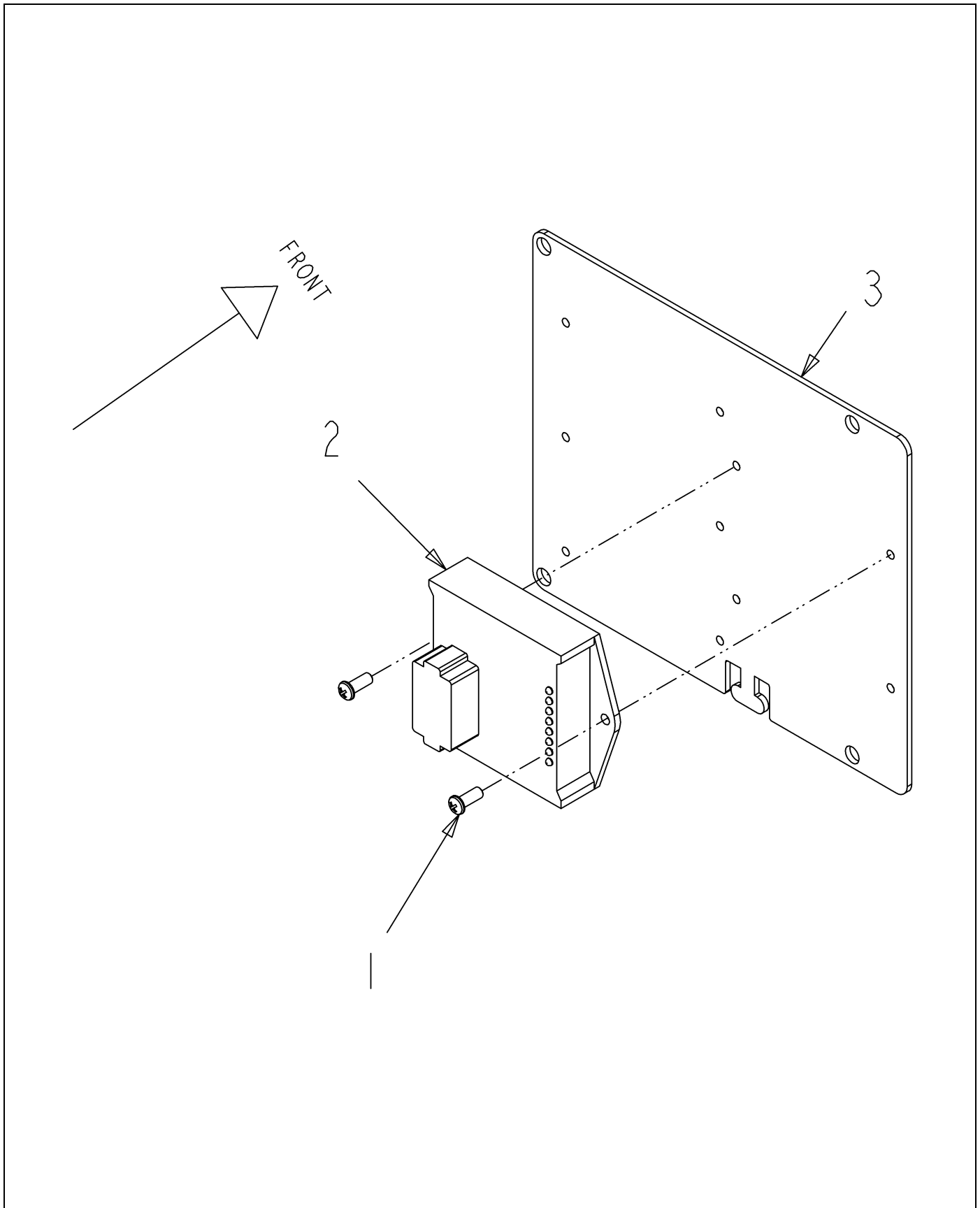


134781-01-M232.TIF

FLASHER INSTL-DOMESTIC

ITEM	PART #	QTY	DESCRIPTION	COMMENTS
1	AG029293	2	SCREW 10-24X0.50 TAP IWHHD	
2	AG121748	1	MODULE-FLASHER,DUAL RATE	
3	AG134571	-	PLATE-MTG,FRONT	

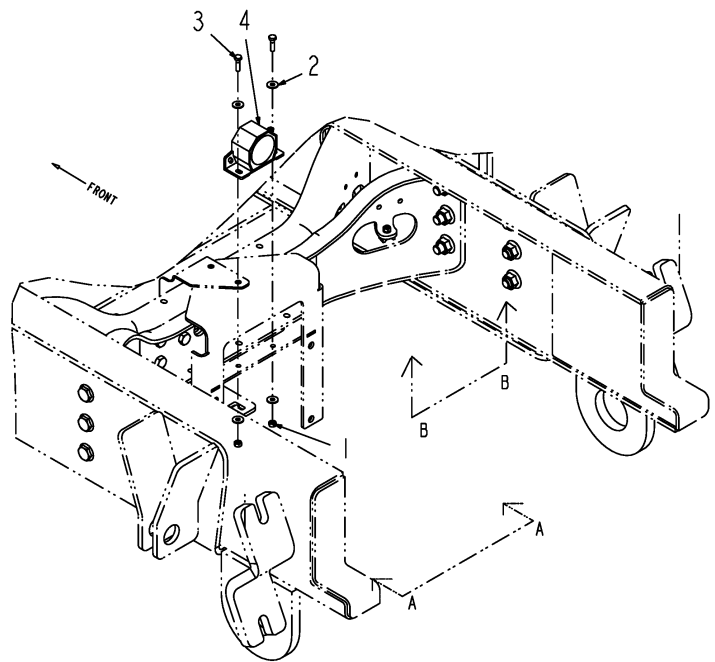
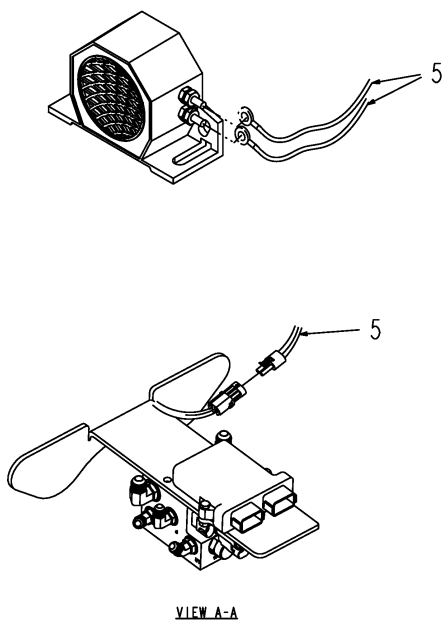
FLASHER INSTL-NON DOMESTIC



134782-01-M232-.TIF

FLASHER INSTL-NON DOMESTIC

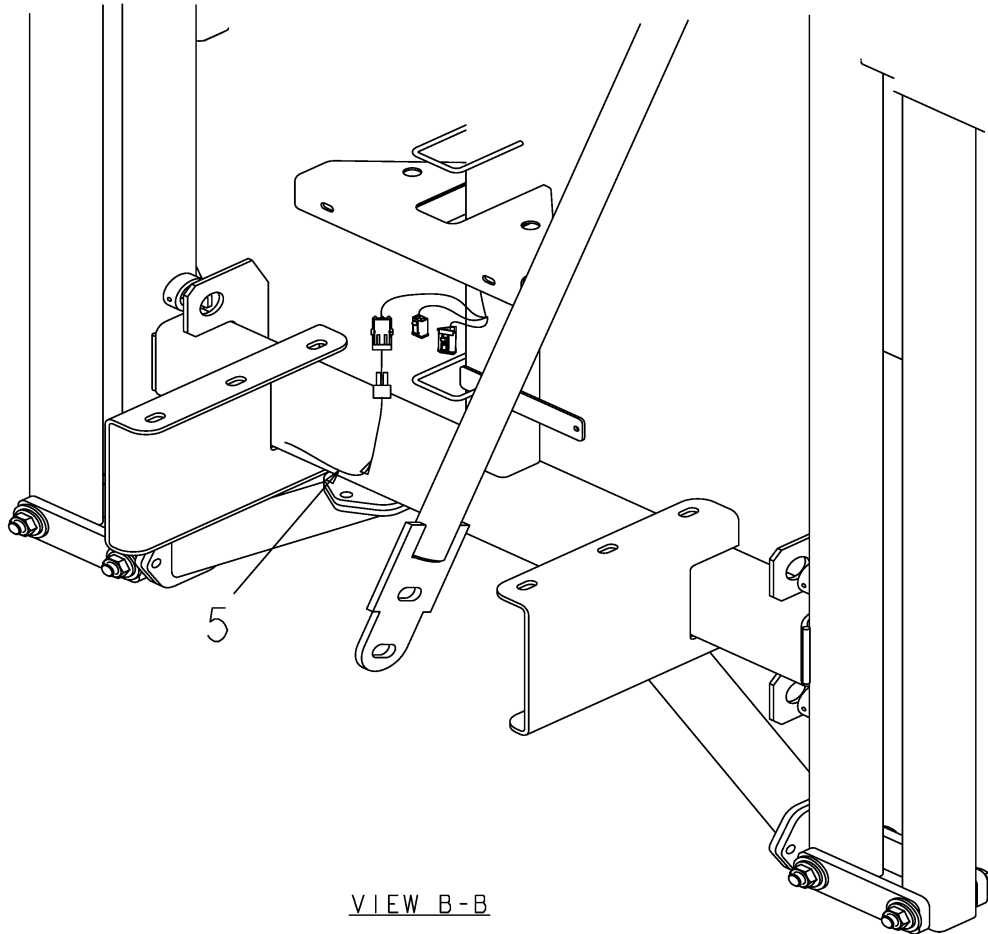
ITEM	PART #	QTY	DESCRIPTION	COMMENTS
1	AG029293	2	SCREW 10-24X0.50 TAP IWHHH	
2	AG129242	1	MODULE-FLASHER,EURO	
3	AG134571	-	PLATE-MTG,FRONT	



506006D1-01-M712-01.TIF

INSTL-ELEC, BACKUP ALARM, 12XX

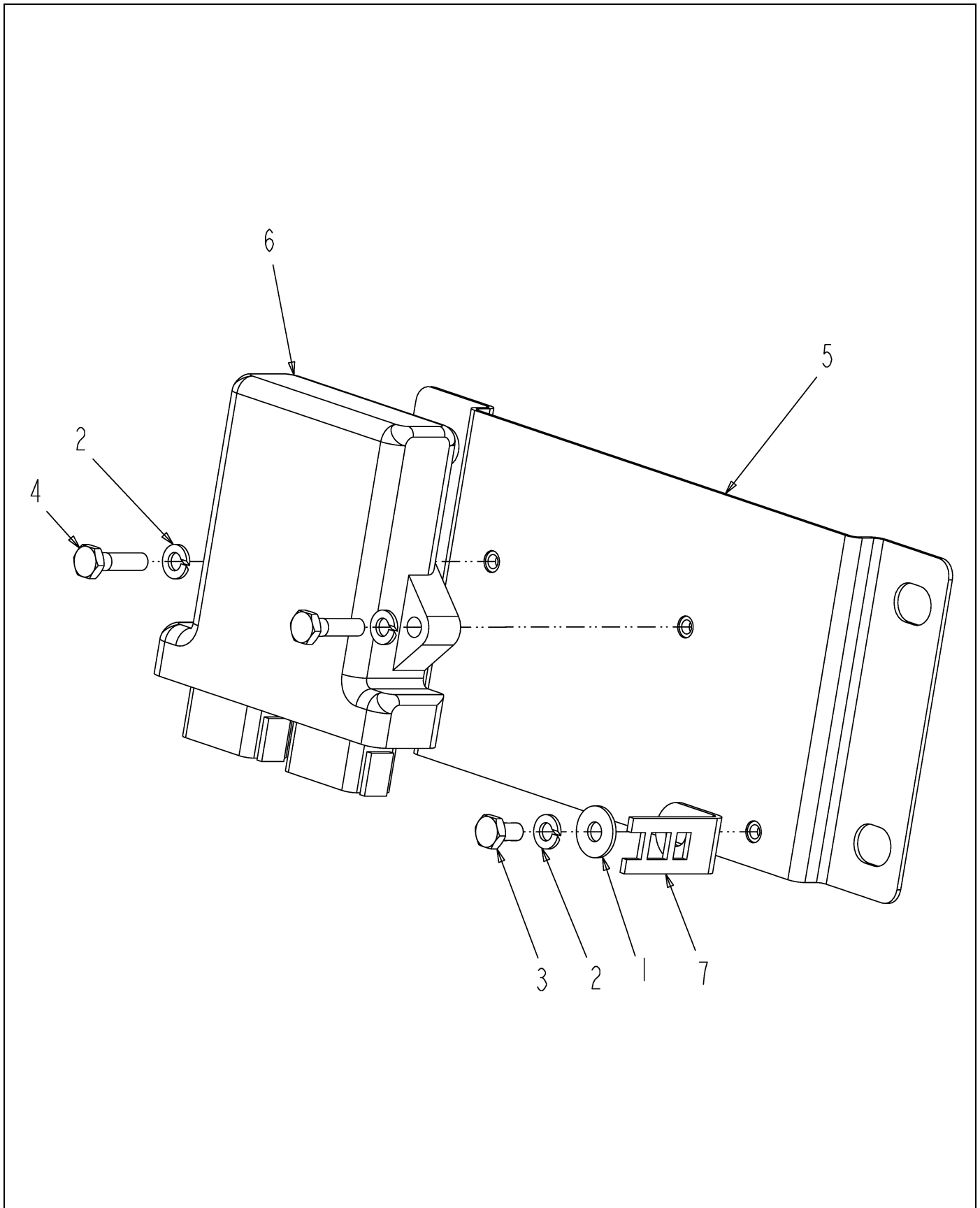
ITEM	PART #	QTY	DESCRIPTION	COMMENTS
1	WR11494	2	NUT-CENTERLOCK, 1/4	
2	AG550507	4	WASHER 0.25 FL ZN REG TYPE-B	
3	AG550698	2	BOLT 0.25-20NCX 1.00 G5 ZN HHD	
4	6579858	1	ALARM-BACKUP	
5	505374D1	1	HARNES-BACKUP, 8/10X4, RG	



506006D1-01-M712-02.TIF

INSTL-ELEC, BACKUP ALARM, 12XX

ITEM	PART #	QTY	DESCRIPTION	COMMENTS
5	505374D1	1	HARNES-BACKUP,8/10X4,RG	

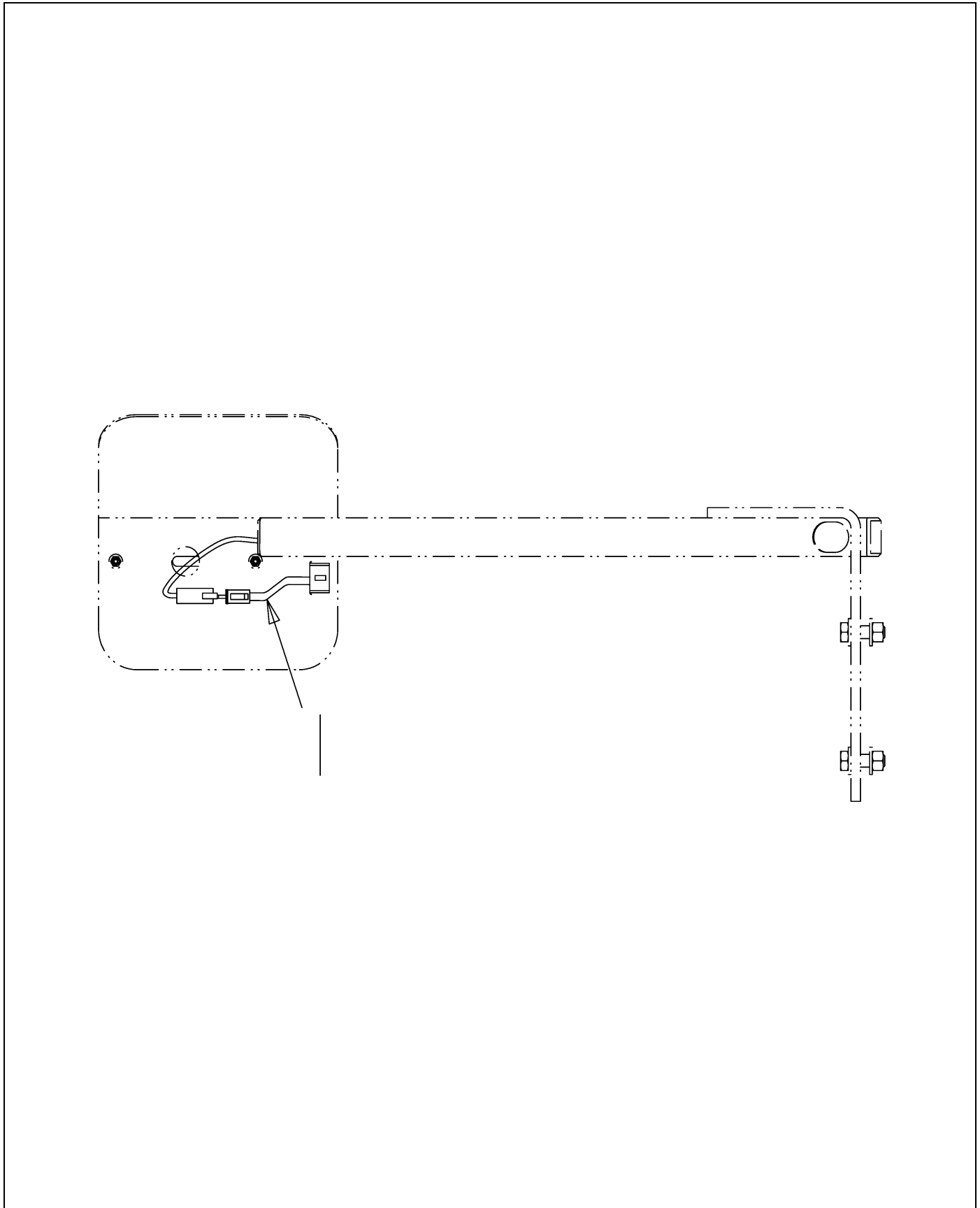


509504D1-03-R065-.TIF

ASM-I/O,CHASSIS,RG

ITEM	PART #	QTY	DESCRIPTION	COMMENTS
1	AG515121	1	WASHER 0.25 FL SS REG TYPE-B	
2	AG515122	3	WASHER 0.25 LK SS REG	
3	AG562047	1	BOLT 0.25-20NCX 0.50 SS HHD	
4	AG562064	2	BOLT 0.25-20NCX 1.00 SS HHD	
5	509506D1	1	WLDMT-BRKT,TA,I/O,FRONT	
6	516006D1	1	MODULE ASM-I/O,CAN	
7	CH132-5789	1	CLIP-LADDER 90°X47.5MM V COAT	

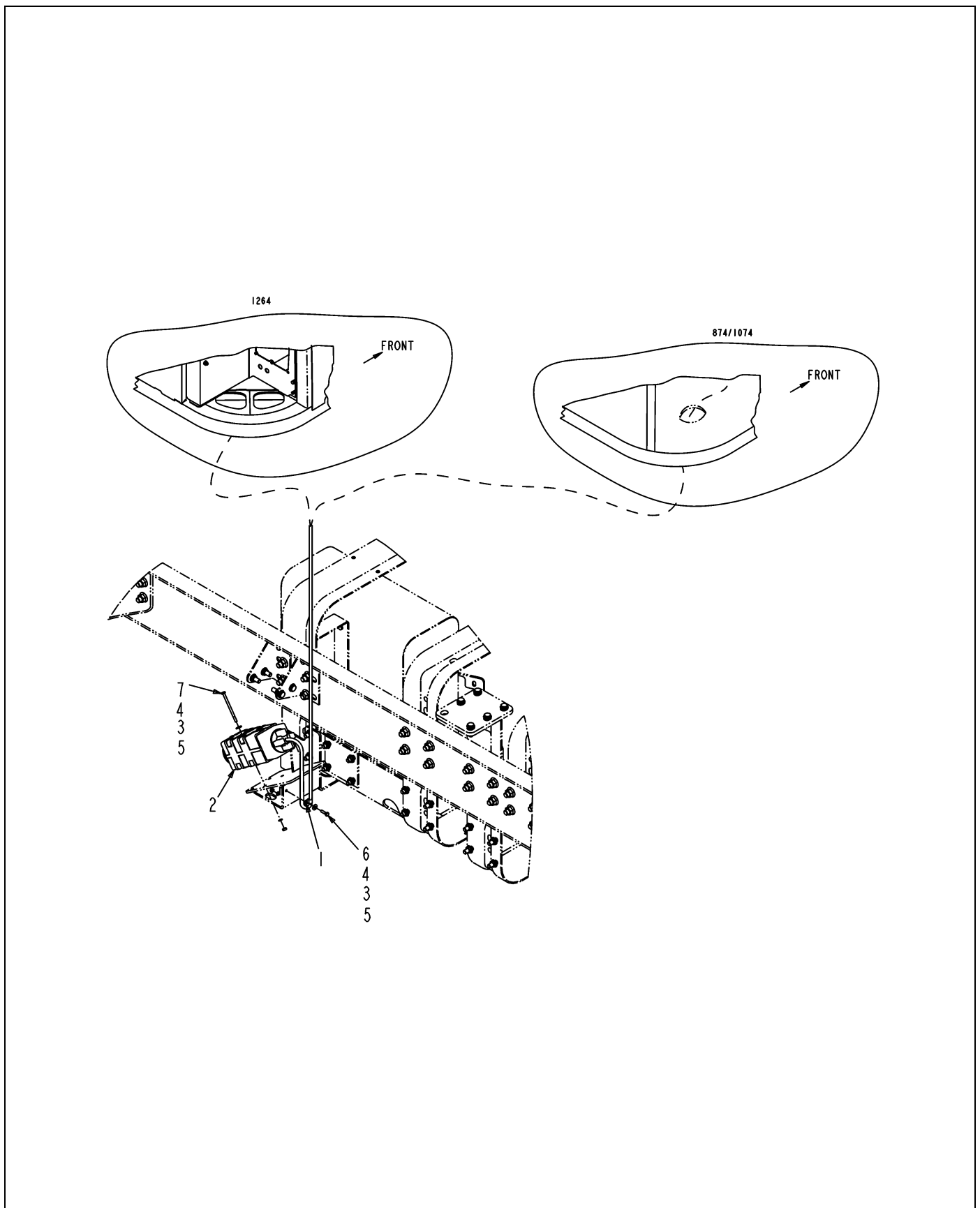
HARNESS INSTL-NO WL,LIGHT BAR



512405D1-01-N733-.TIF

HARNESS INSTL-NO WL,LIGHT BAR

ITEM	PART #	QTY	DESCRIPTION	COMMENTS
1	AG128409	2	HARNESS-I/O,LOAD,SIMULATOR	
2	512395D1 FOOTNOTE	-	LIGHT BAR INSTL Effective S/N (Txx1001) and up.	SEE PAGE 10-15

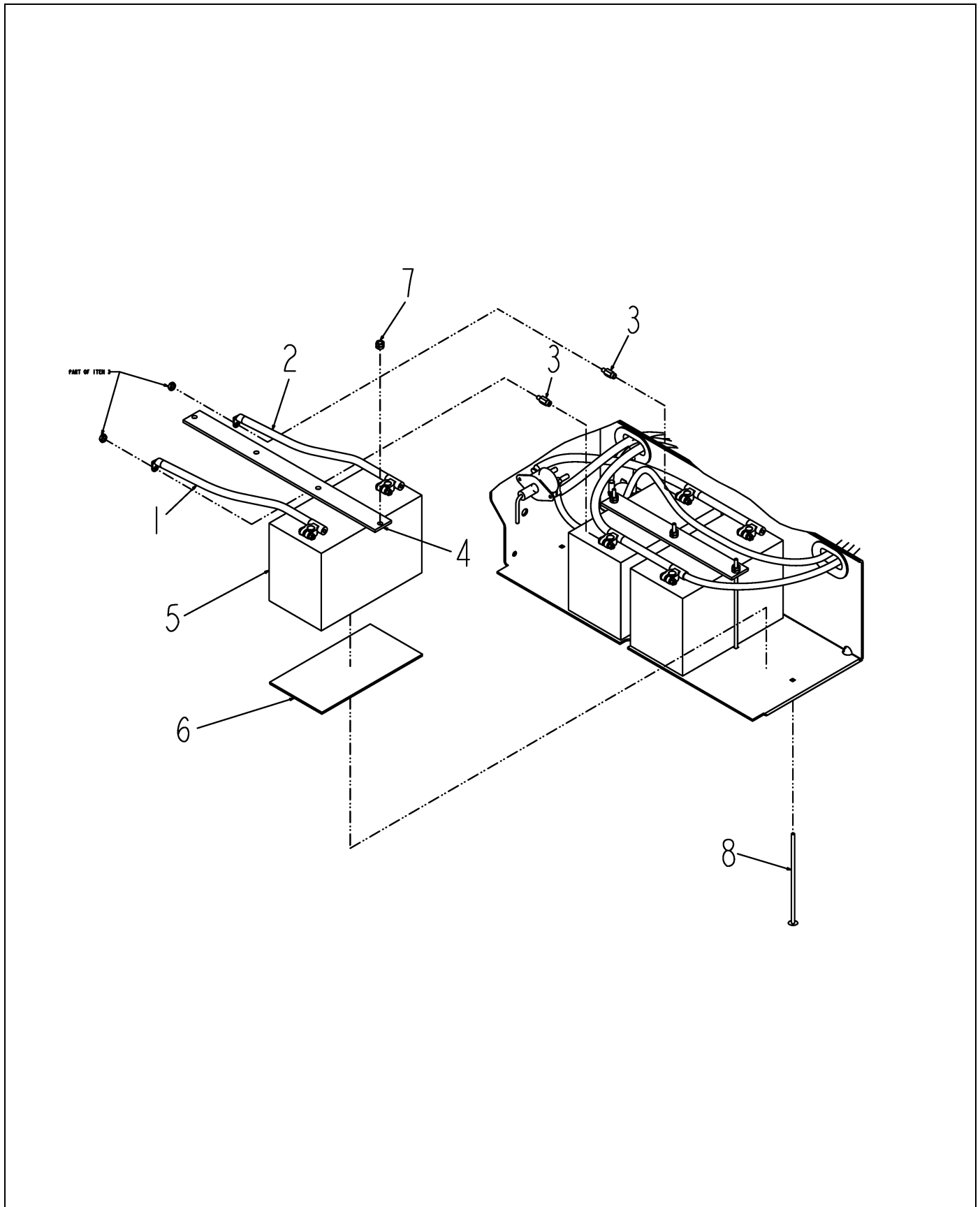


132597-A.TIF

RADAR GROUP

ITEM	PART #	QTY	DESCRIPTION	COMMENTS
1	AG010351	1	CLAMP LOOM 0.43 PER DWG (D)	
2	AG520859	1	RADAR-DJ,7.5FT	
3	AG550493	5	WASHER 0.25 LK ZN REG	
4	AG550507	5	WASHER 0.25 FL ZN REG TYPE-B	
5	AG550612	5	NUT 0.25-20NC HEX ZN REG	
6	AG550698	1	BOLT 0.25-20NCX 1.00 G5 ZN HHD	
7	AG562148	4	BOLT 0.25-20NCX 4.00 G5 ZN HHD	

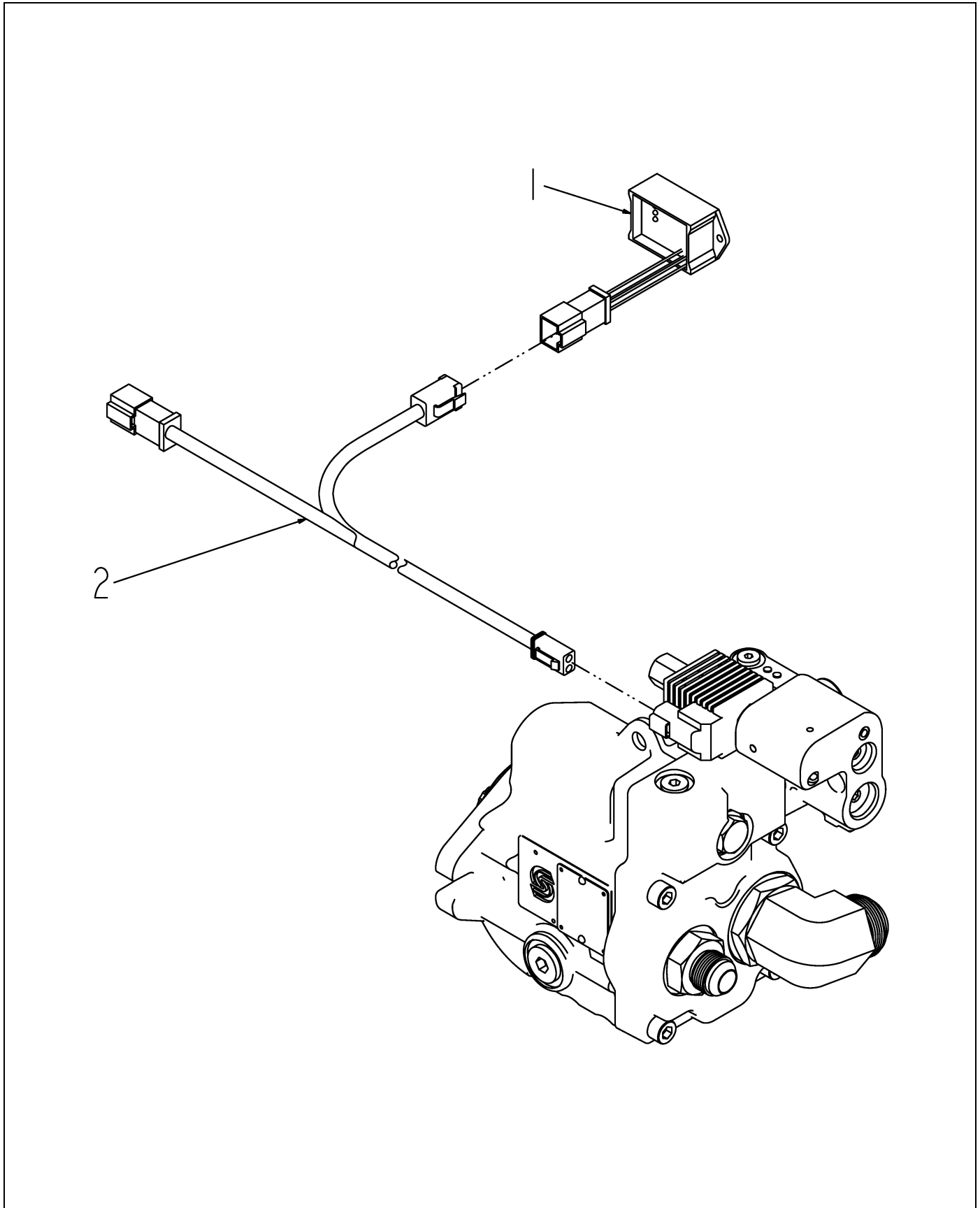
INSTL-BATTERY,THIRD,COLD START



125145-A-1.TIF

INSTL-BATTERY,THIRD,COLD START

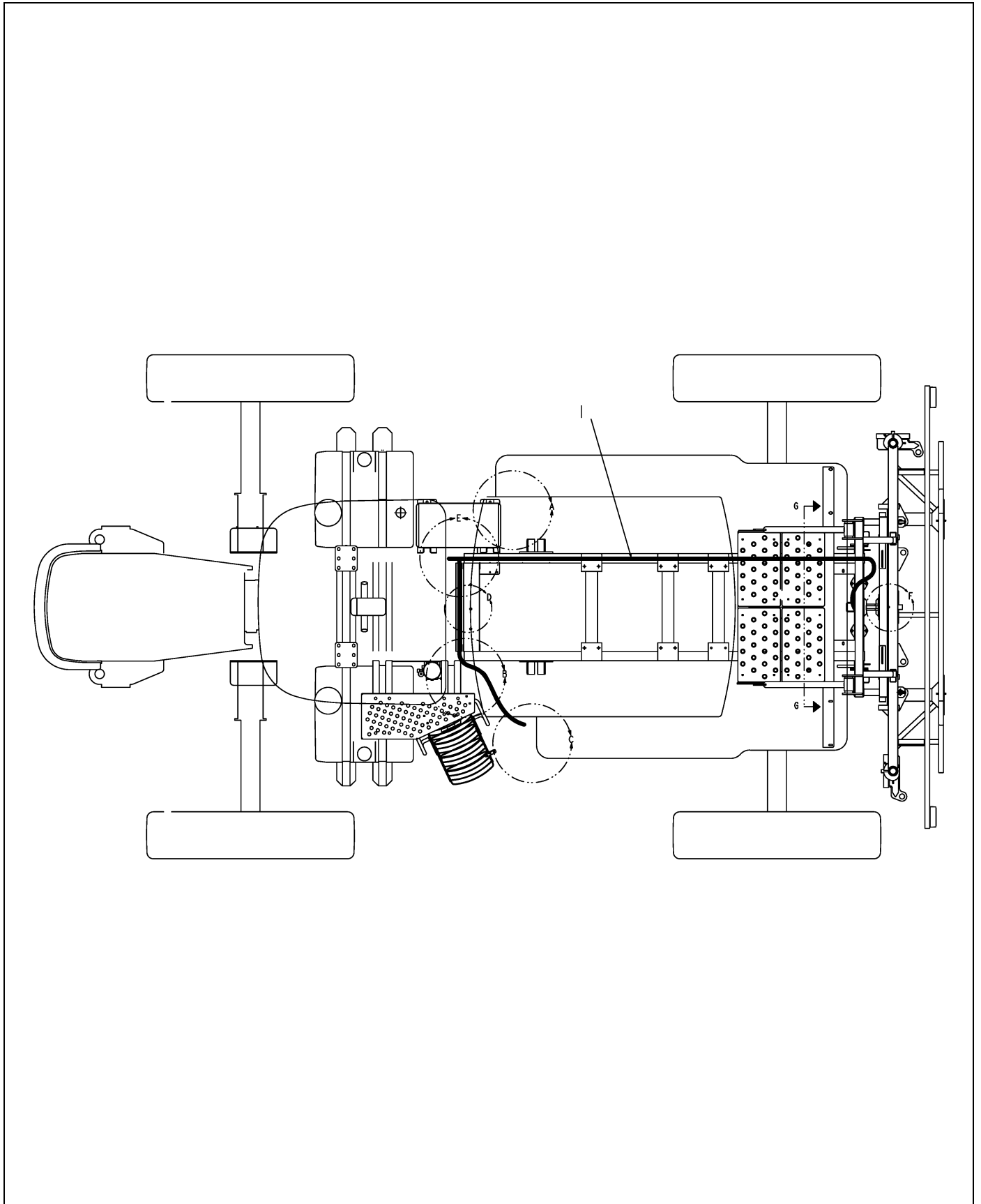
ITEM	PART #	QTY	DESCRIPTION	COMMENTS
1	AG125764	1	CABLE-3RD BATTERY,POS	
2	AG125765	1	CABLE-3RD BATTERY,NEG	
3	AG125908	2	EXTENDER-BATTERY BOLT	
4	AG125909	1	STRAP-HLDN,3 BATTERY	
5	AG123761	1	BATTERY-GROUP 31	
6	AG223413	1	MAT BATTERY	
7	AG562090	2	NUT 0.31-18NC HEX SS REG	
8	AG523581	1	BOLT 0.31-18NCX10.00 SS CRG	



124729-A.TIF

INSTL-TIMER,PC,PUMP

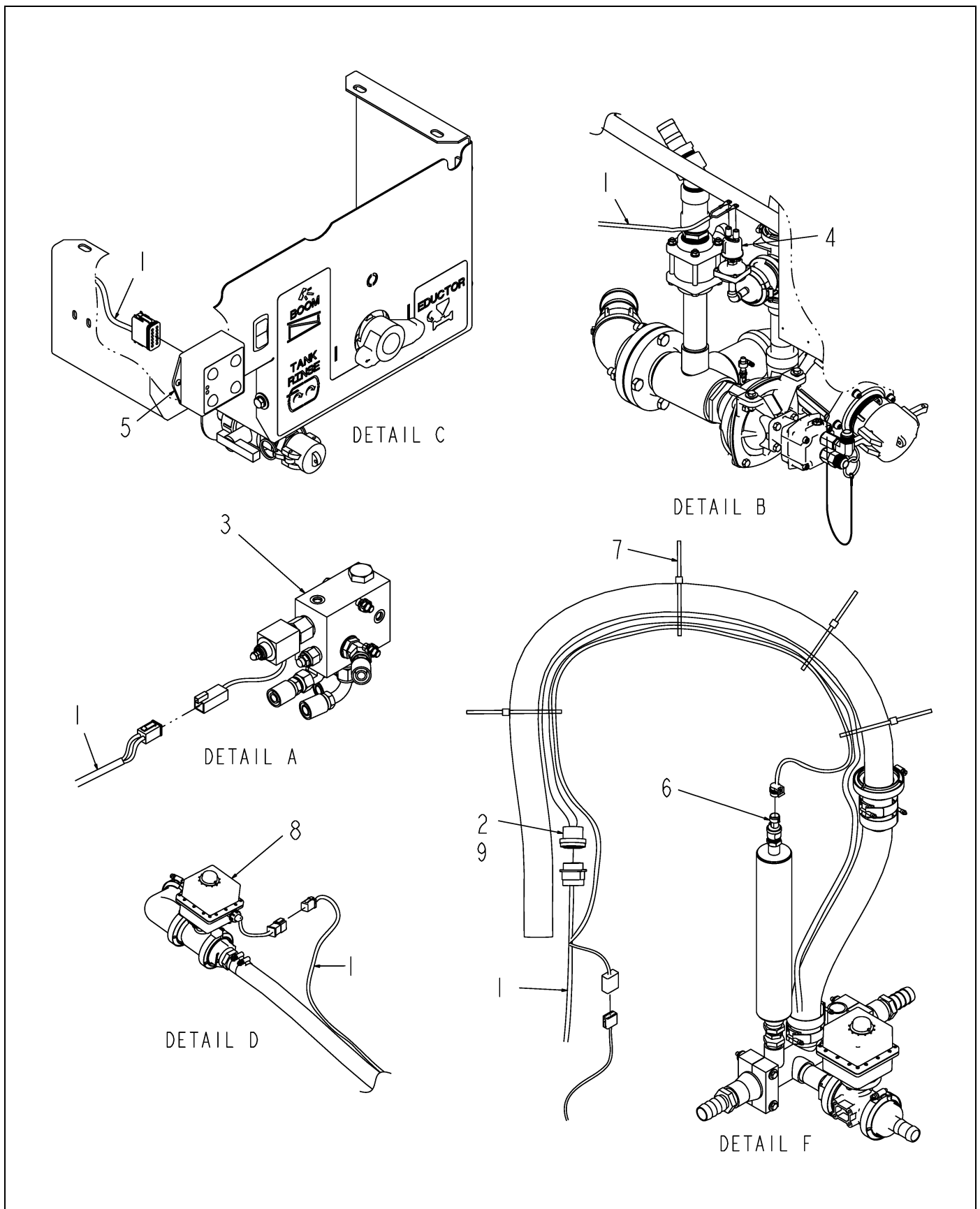
ITEM	PART #	QTY	DESCRIPTION	COMMENTS
1	AG125069	1	MODULE-BYPASS,TIMER	
2	AG125070	1	HARNESS-BYPASS,COMMON	



511817D1-02-R065-01.TIF

HARNESS INSTL-PROD CONT,RG

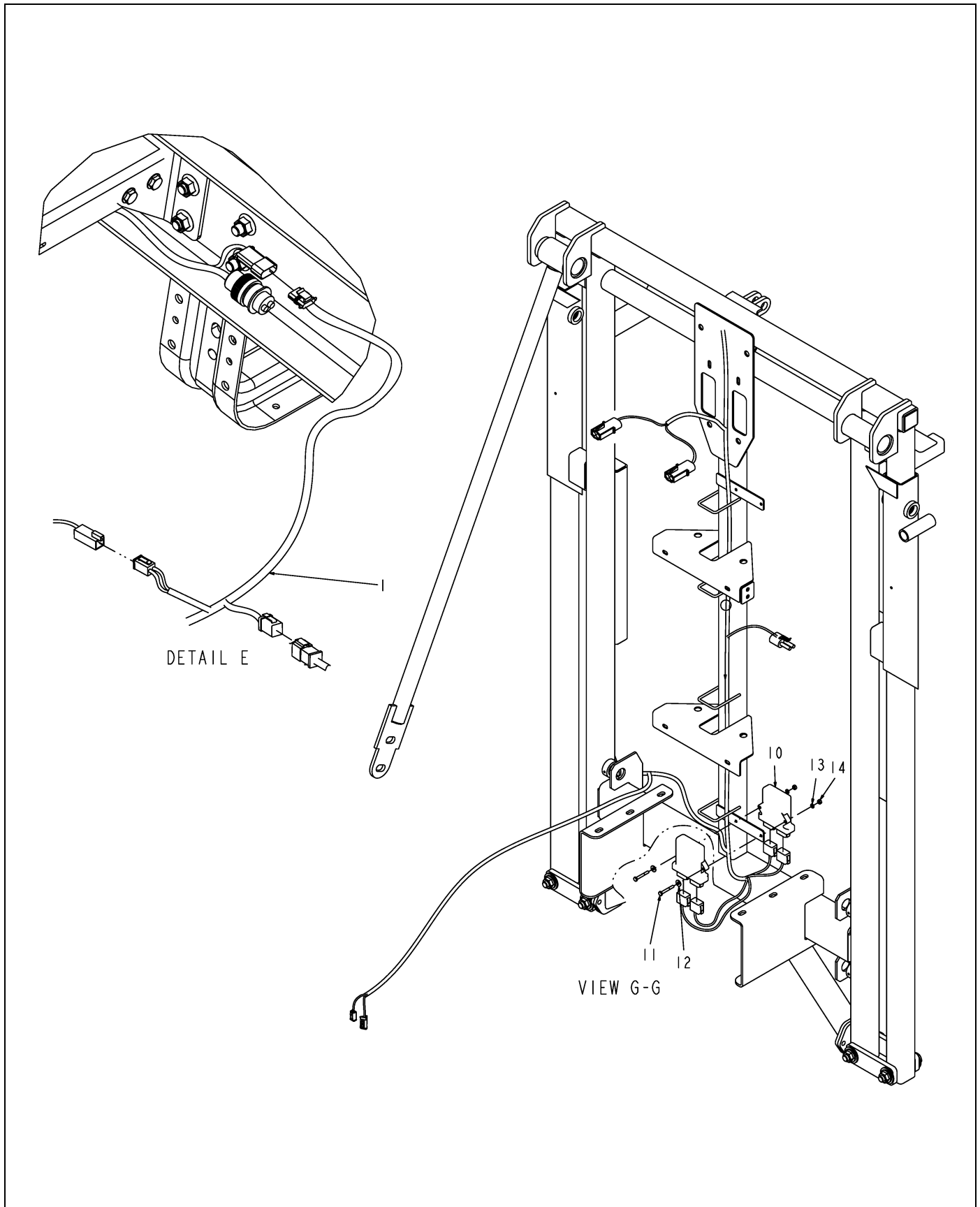
ITEM	PART #	QTY	DESCRIPTION	COMMENTS
1	511623D1	1	HARNESS-PRODUCT CONTROL(SYS)	



511817D1-02-R065-02.TIF

HARNESS INSTL-PROD CONT, RG

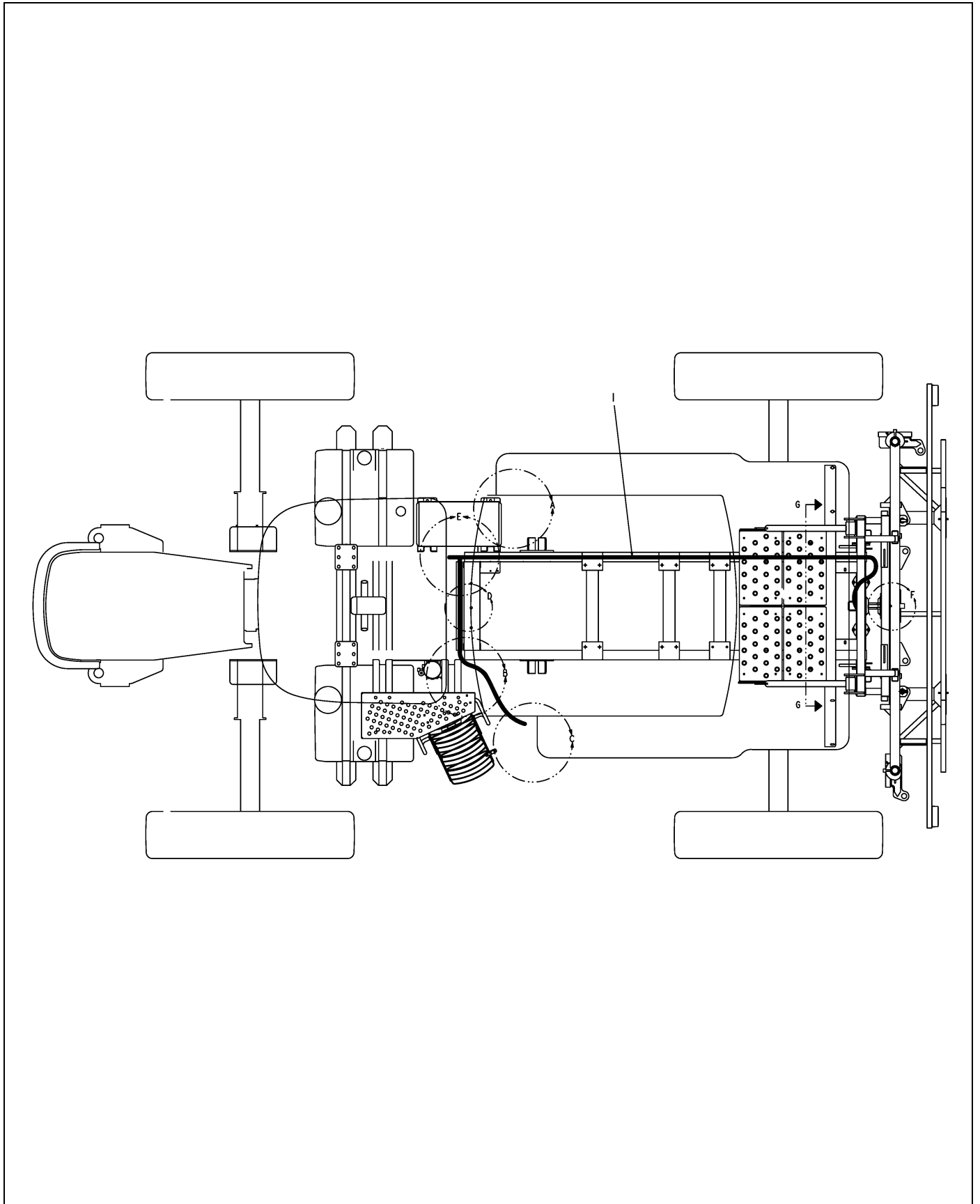
ITEM	PART #	QTY	DESCRIPTION	COMMENTS
1	511623D1	1	HARNESS-PRODUCT CONTROL(SYS)	
2	AG504299	-	HARNESS-ELEC BM SECT VLV(SYS)	
3	AG424287	-	VALVE-HYD,PWM,LIQ SYS,15 GPM	
4	AG521017	-	SENDER-PRESSURE,0-150PSI,GRD	
5	509280D1	-	MODULE-CTRL,PLMB,PROD,LIQ SYS	
6	AG524270	-	TRANSDUCER-PRES R/B 517405D1	
7	AG554278	6	TIE CABLE 11.0 .06-3.06 BLACK	
8	AG523925	-	VALVE-ELEC,REG,2.0FLGX1.0FNPT	
9	505270D1	-	HARNESS-BSO VLV,7 SECT	
	FOOTNOTE [A]		NEW VOLTAGE REGULATOR ADDED TO ACTUATOR. USED IN S/N 114543,114548,114550,114552	
	FOOTNOTE [A]		AND NUMBER 114891 AND ABOVE.	



511817D1-02-R065-03.TIF

HARNES INSTL-PROD CONT, RG

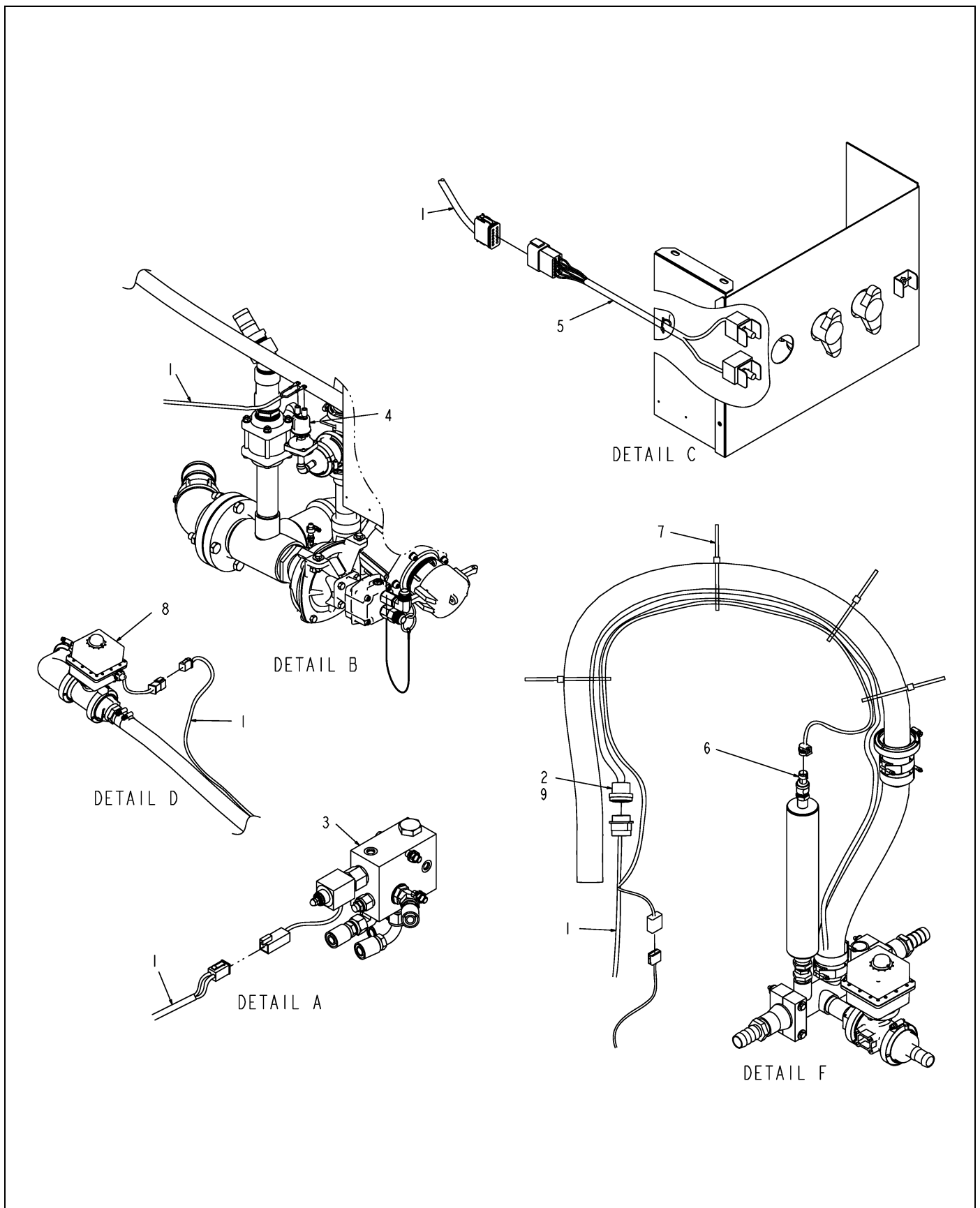
ITEM	PART #	QTY	DESCRIPTION	COMMENTS
1	511623D1	1	HARNES-PRODUCT CONTROL(SYS)	
10	516006D1	2	MODULE ASM-I/O,CAN	
11	AG518491	2	BOLT 0.25-20NCX 2.00 SS HHD	
12	AG515121	2	WASHER 0.25 FL SS REG TYPE-B	
13	AG515122	2	WASHER 0.25 LK SS REG	
14	AG515123	2	NUT 0.25-20NC HEX SS REG	



514865D1-02-R065-01.TIF

HARNESS INSTL-PROD CONT,RG

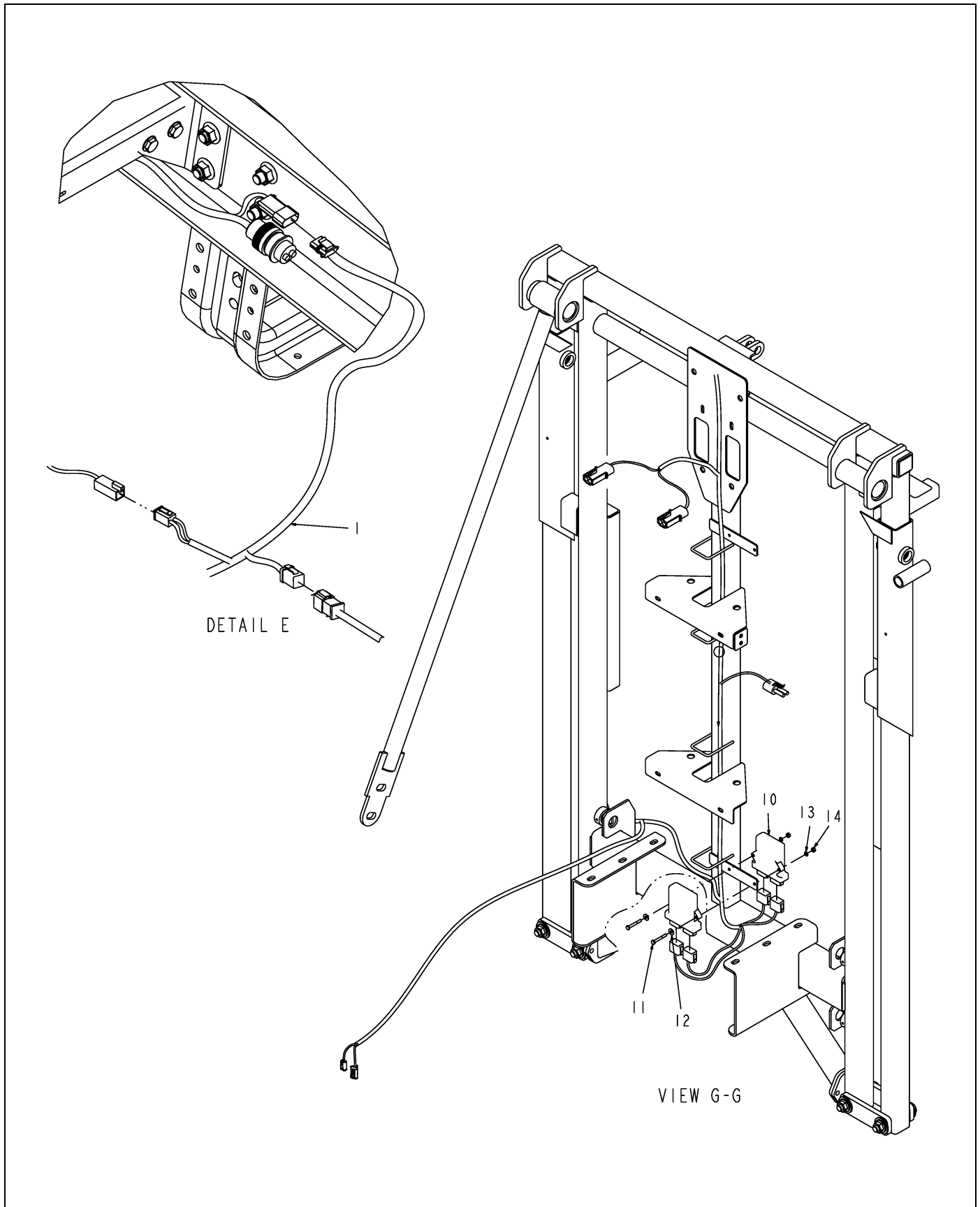
ITEM	PART #	QTY	DESCRIPTION	COMMENTS
1	514866D1	1	HARNESS-PRODUCT CONTROL(SYS)	



514865D1-02-R065-02.TIF

HARNESS INSTL-PROD CONT, RG

ITEM	PART #	QTY	DESCRIPTION	COMMENTS
1	514866D1	1	HARNESS-PRODUCT CONTROL(SYS)	
2	AG504299	-	HARNESS-ELEC BM SECT VLV(SYS)	
3	AG424287	-	VALVE-HYD,PWM,LIQ SYS,15 GPM	
4	AG521017	-	SENDER-PRESSURE,0-150PSI,GRD	
5	514867D1	1	SWITCH INSTL-PUMP/SPARGER	
6	AG524270	-	TRANSDUCER-PRES R/B 517405D1	
7	AG554278	6	TIE CABLE 11.0 .06-3.06 BLACK	
8	AG523925	-	VALVE-ELEC,REG,2.0FLGX1.0FNPT	
9	505270D1	-	HARNESS-BSO VLV,7 SECT	
	FOOTNOTE [A]		NEW VOLTAGE REGULATOR ADDED TO ACTUATOR. USED IN S/N 114543,114548,114550,114552	
	FOOTNOTE [A]		AND NUMBER 114891 AND ABOVE.	



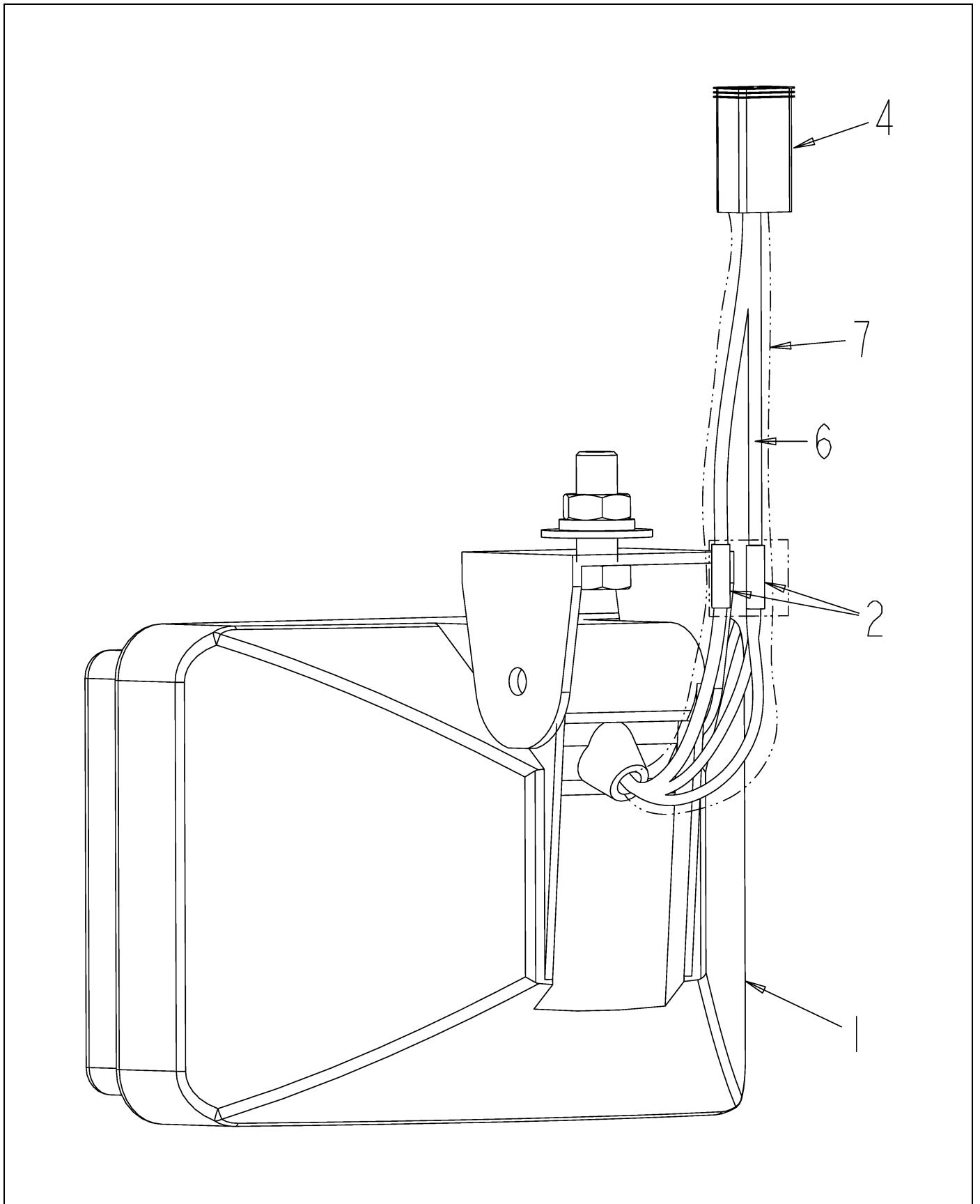
514865D1-02-R065-03.TIF

HARNES INSTL-PROD CONT, RG

ITEM	PART #	QTY	DESCRIPTION	COMMENTS
1	514866D1	1	HARNES-PRODUCT CONTROL(SYS)	
10	516006D1	2	MODULE ASM-I/O,CAN	
11	AG518491	12	BOLT 0.25-20NCX 2.00 SS HHD	
12	AG515121	2	WASHER 0.25 FL SS REG TYPE-B	
13	AG515122	2	WASHER 0.25 LK SS REG	
14	AG515123	2	NUT 0.25-20NC HEX SS REG	

WORK LIGHT-DOUBLE BEAM,RWK	10-1
WORK LIGHT-DOUBLE BEAM,2X55W	10-2
LIGHT INSTL-WORK, BOOM REST	10-3
LIGHT INSTL-HID, BOOM REST	10-4
HARNESS INSTL-NO WL, BOOM REST	10-5
LIGHT INSTL-HID,BOOM REST	10-6
HARNESS INSTL-NO WL,BOOM REST	10-7
LIGHT INSTL-WORK,BOOM REST	10-8
HEADLIGHT-LEFT,HELLA	10-9
HEADLIGHT-RIGHT,HELLA	10-10
HID INSTL-CAB,REAR	10-11
HID INSTL-ABOVE CAB,REAR	10-12
RWK-WORK LIGHT,HID	10-13
WL INSTL-CAB,REAR	10-14
LIGHT BAR INSTL	10-15
LIGHT INSTL-WORK,LIGHT BAR	10-16
LIGHT INSTL-HID,LIGHT BAR	10-17
LIGHT BAR INSTL	10-18
LIGHT INSTL-WORK, LIGHT BAR	10-19
LIGHT INSTL-HID, LIGHT BAR	10-20
HARNESS INSTL-NO WL, LIGHT BAR	10-21
LAMP-WARNING,AMBER	10-22
ASM-HEADLIGHT,ELEC,LH	10-23
ASM-HEADLIGHT,ELEC,RH	10-24
LAMP-WORK,OVAL,TRAP LENS	10-25
NO WL-INSTL	10-26
WL INSTL-TOOL BOX	10-27
WL INSTL-TOOL BOX,HID	10-28
TAILLIGHT INSTL-LED,NL	10-29

WORK LIGHT-DOUBLE BEAM,RWK

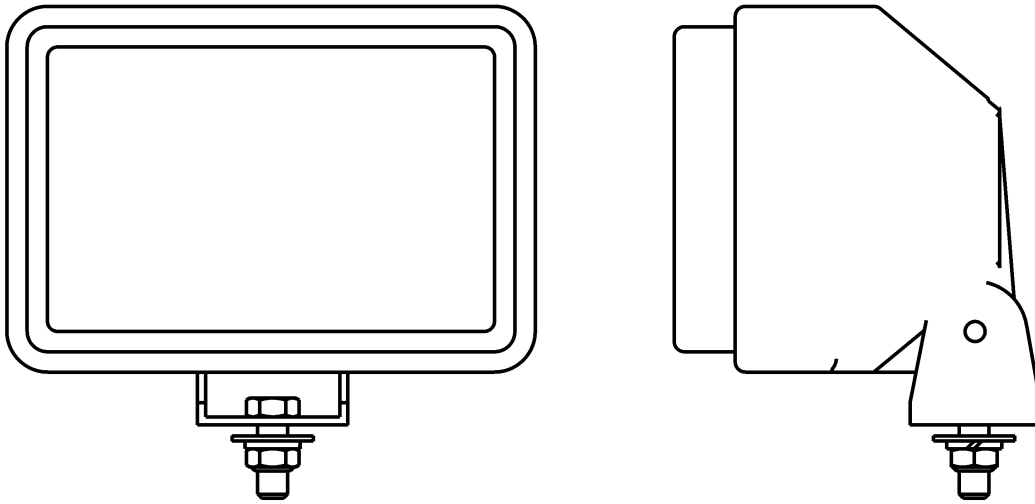


123364-04-N851-.TIF

WORK LIGHT-DOUBLE BEAM,RWK

ITEM	PART #	QTY	DESCRIPTION	COMMENTS
1	AG123363	1	WORK LIGHT-DOUBLE BEAM,2X55W	SEE PAGE 10-2
2	AG520099	2	CONN BUTT 14-16 GA NON-INSUL	
3	AG523376	2	TERMINAL-SOCKET,14-16GA	
4	AG523362	1	CONN-PLUG,2WAY,18-14GA	
5	AG523365	1	LOCK-PLUG,2WAY	
6	AG561897	-	WIRE 14 GA GXL BULK RED [BULK: 0.340 FT]	
7	AG512273	-	FLEX GUARD .350LCP [BULK: 0.500 FT]	
8	AG561896	-	WIRE 14 GA GXL BULK BLACK [BULK: 0.340 FT]	

WORK LIGHT-DOUBLE BEAM,2X55W

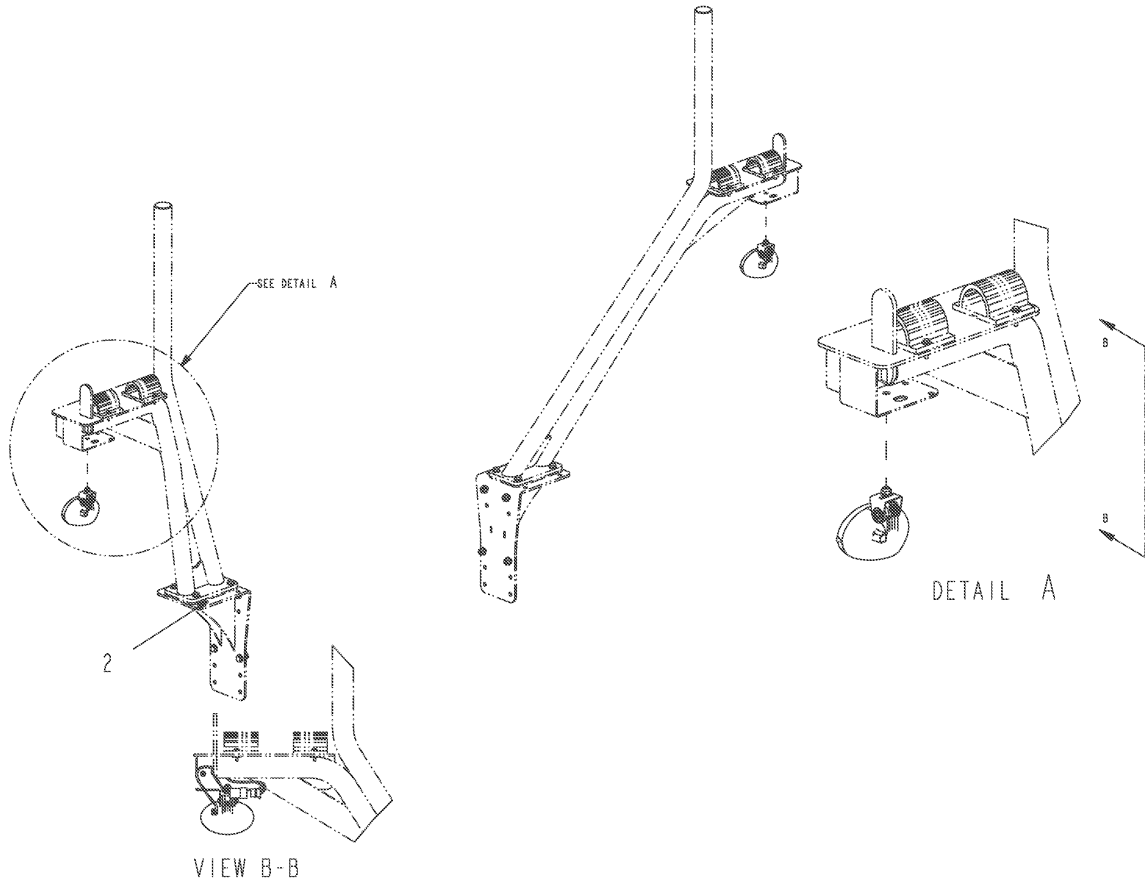


123363-A.TIF

WORK LIGHT-DOUBLE BEAM,2X55W

ITEM	PART #	QTY	DESCRIPTION	COMMENTS
0	AG133566	1	12V 55W H3 BULB	

LIGHT INSTL-WORK, BOOM REST

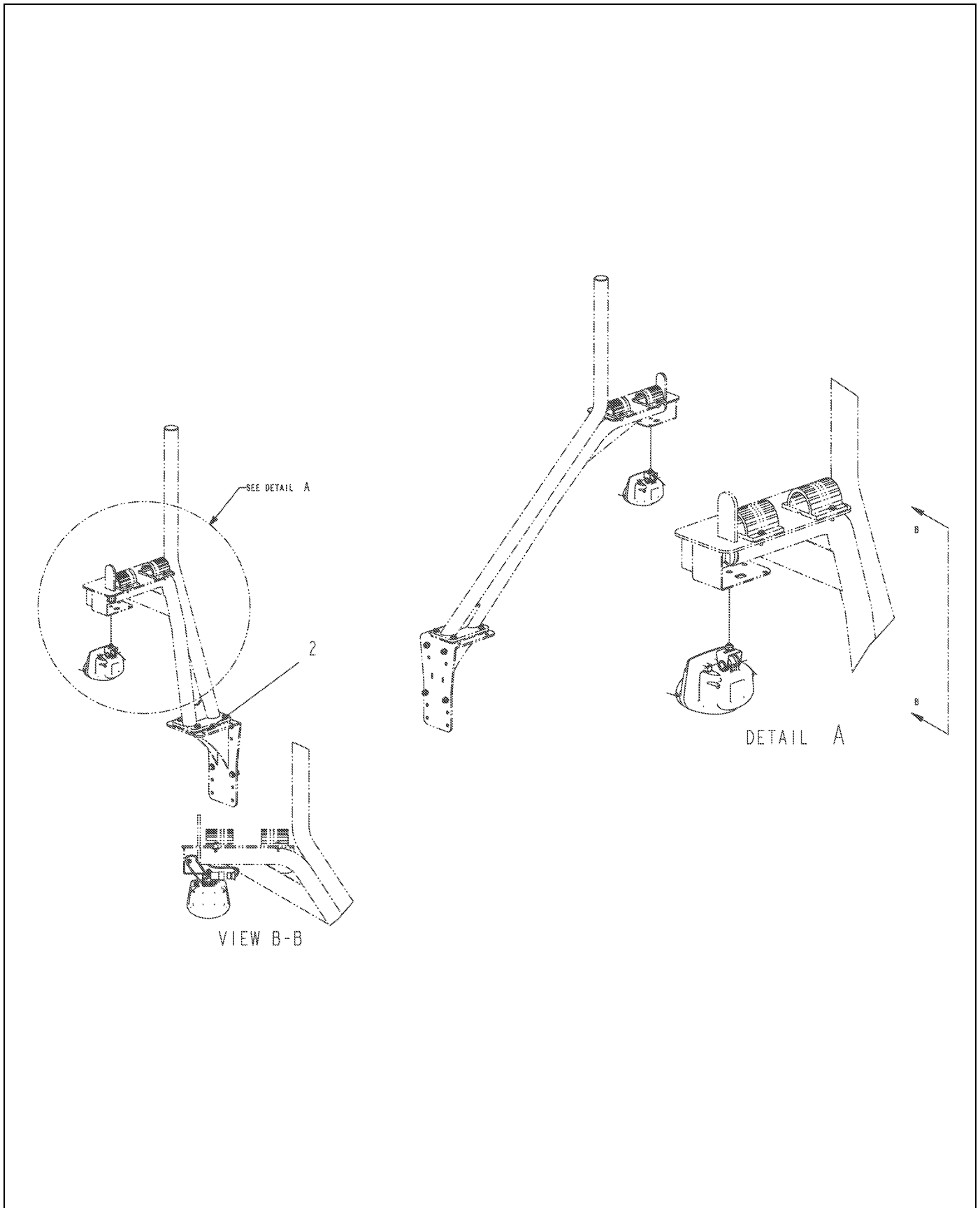


516804D1-01-N770-.TIF

LIGHT INSTL-WORK, BOOM REST

ITEM	PART #	QTY	DESCRIPTION	COMMENTS
1	515469D1	2	LGT-WORK,DUAL BEAM,PENDENT MNT	
2	516803D1 FOOTNOTE	-	BOOM REST INSTL Effective S/N (Txx1001) and up.	SEE PAGE 11-4

LIGHT INSTL-HID, BOOM REST

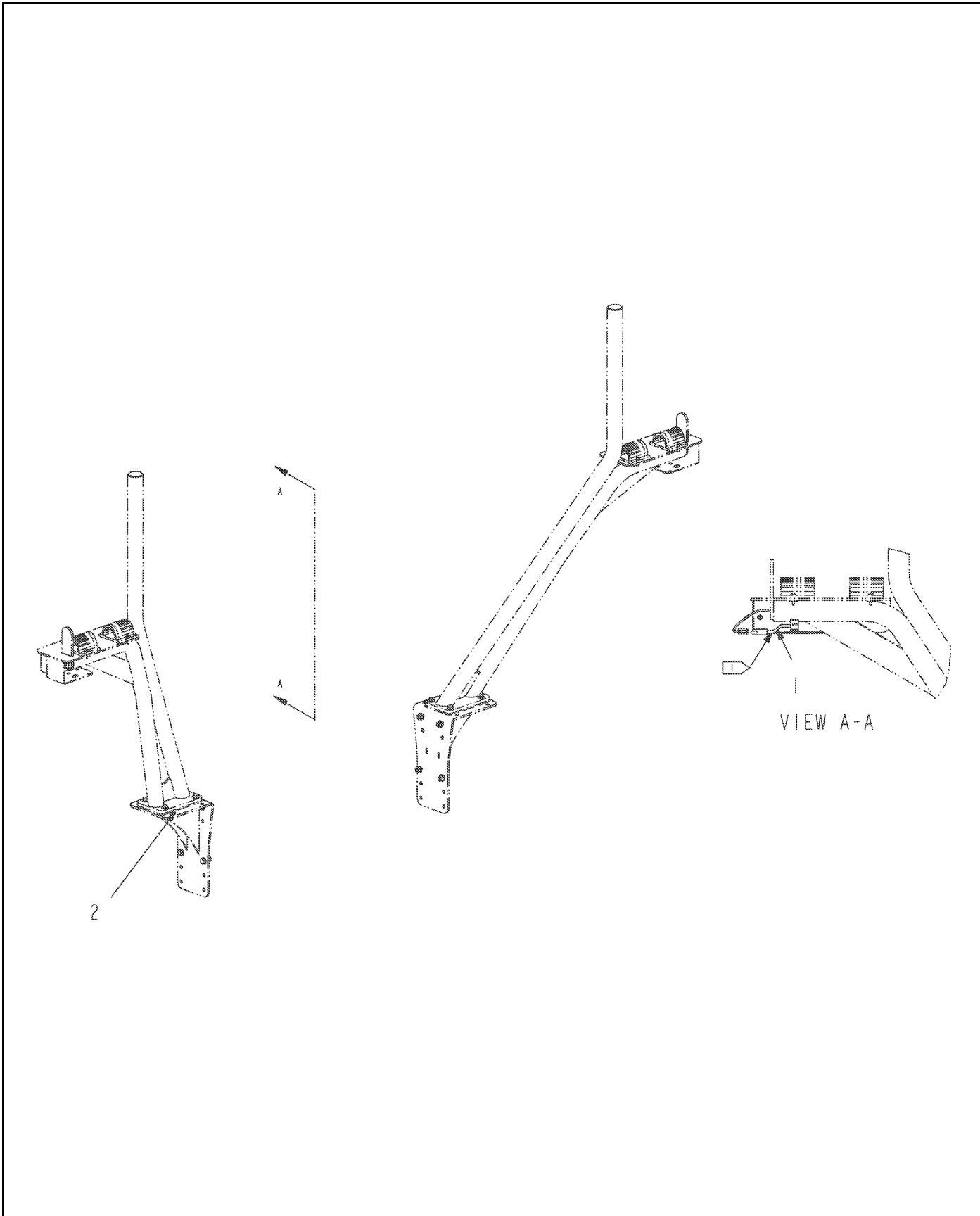


516805D1-01-N770-.TIF

LIGHT INSTL-HID, BOOM REST

ITEM	PART #	QTY	DESCRIPTION	COMMENTS
1	515468D1	2	LIGHT-WORK,HID,PENDENT MOUNT	
2	516803D1 FOOTNOTE	-	BOOM REST INSTL Effective S/N (Txx1001) and up.	SEE PAGE 11-4

HARNESSTL-NO WL, BOOM REST

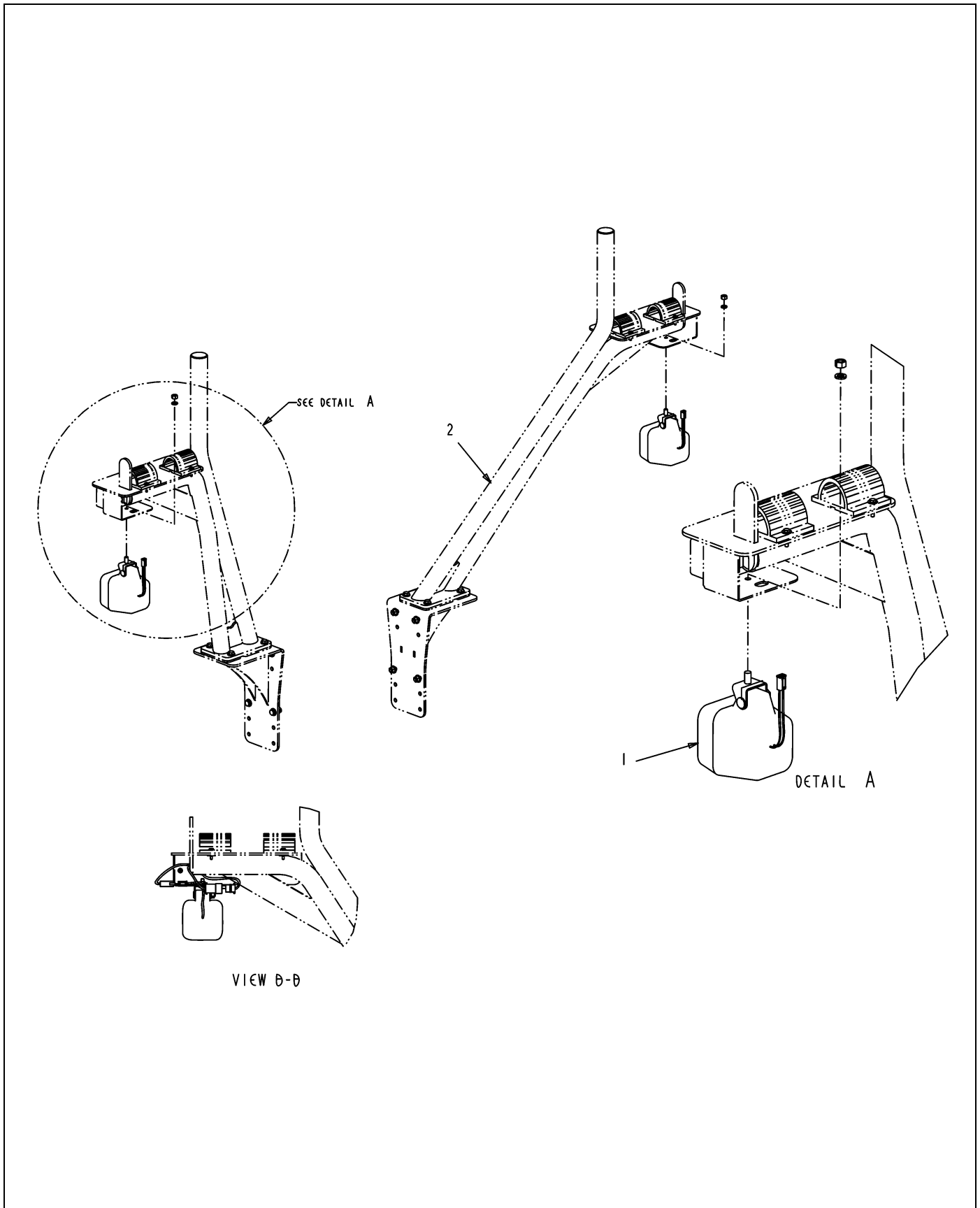


516806D1-01-N770-.TIF

HARNESS INSTL-NO WL, BOOM REST

ITEM	PART #	QTY	DESCRIPTION	COMMENTS
1	515894D1	2	HARNESS-I/O, LOAD STIMULATOR	
2	516803D1	-	BOOM REST INSTL	SEE PAGE 11-4
	FOOTNOTE		Effective S/N (Txx1001) and up.	

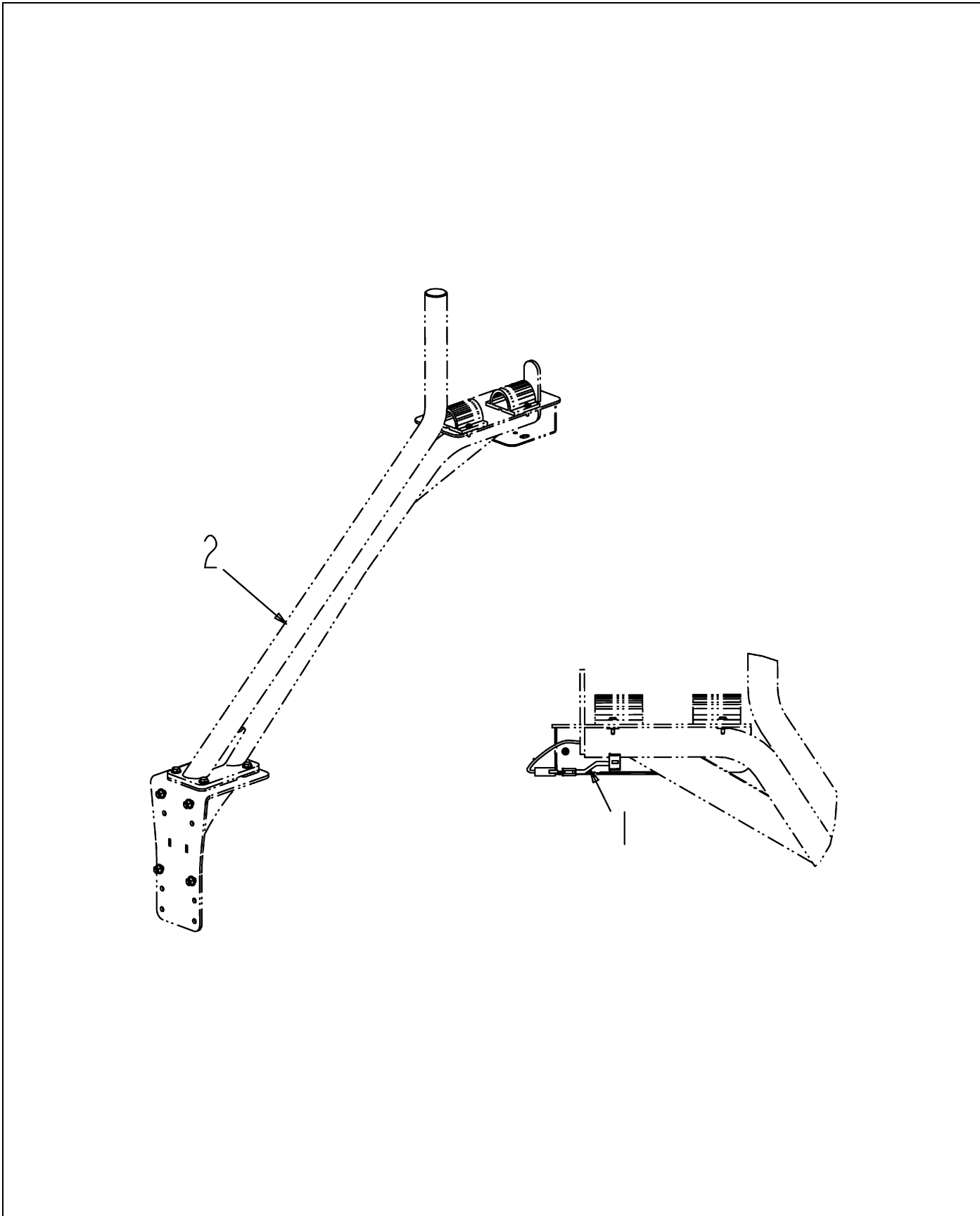
LIGHT INSTL-HID,BOOM REST



505028D1-01-M681-.TIF

LIGHT INSTL-HID,BOOM REST

ITEM	PART #	QTY	DESCRIPTION	COMMENTS
1	AG129822	2	RWK-WORK LIGHT,HID	SEE PAGE 10-13
2	503537D1	-	BOOMREST INSTL	SEE PAGE 11-3

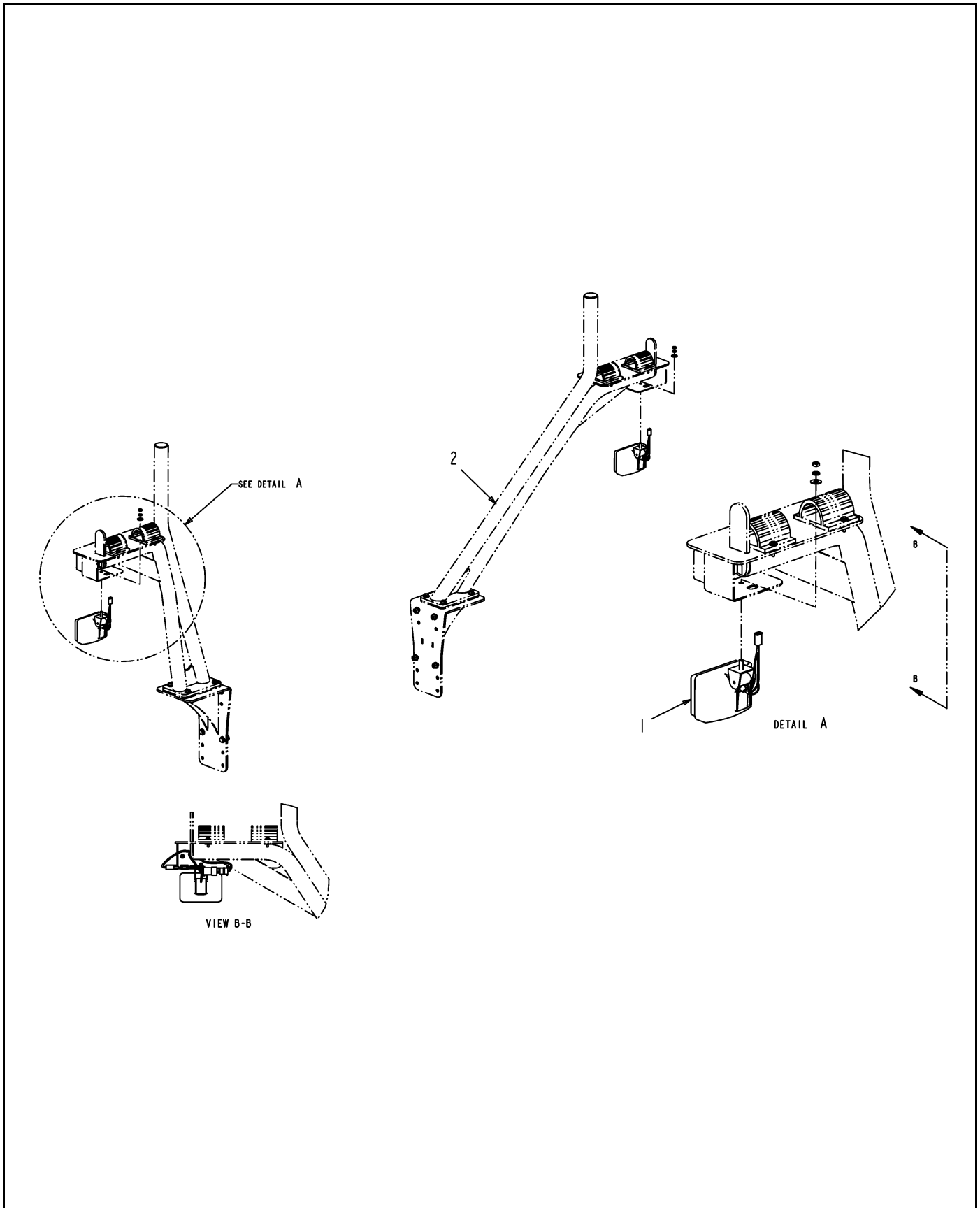


505029D1-01-M681.tif

HARNESS INSTL-NO WL,BOOM REST

ITEM	PART #	QTY	DESCRIPTION	COMMENTS
1	AG128409	1	HARNESS-I/O,LOAD,SIMULATOR	
2	503537D1	-	BOOMREST INSTL	SEE PAGE 11-3

LIGHT INSTL-WORK,BOOM REST

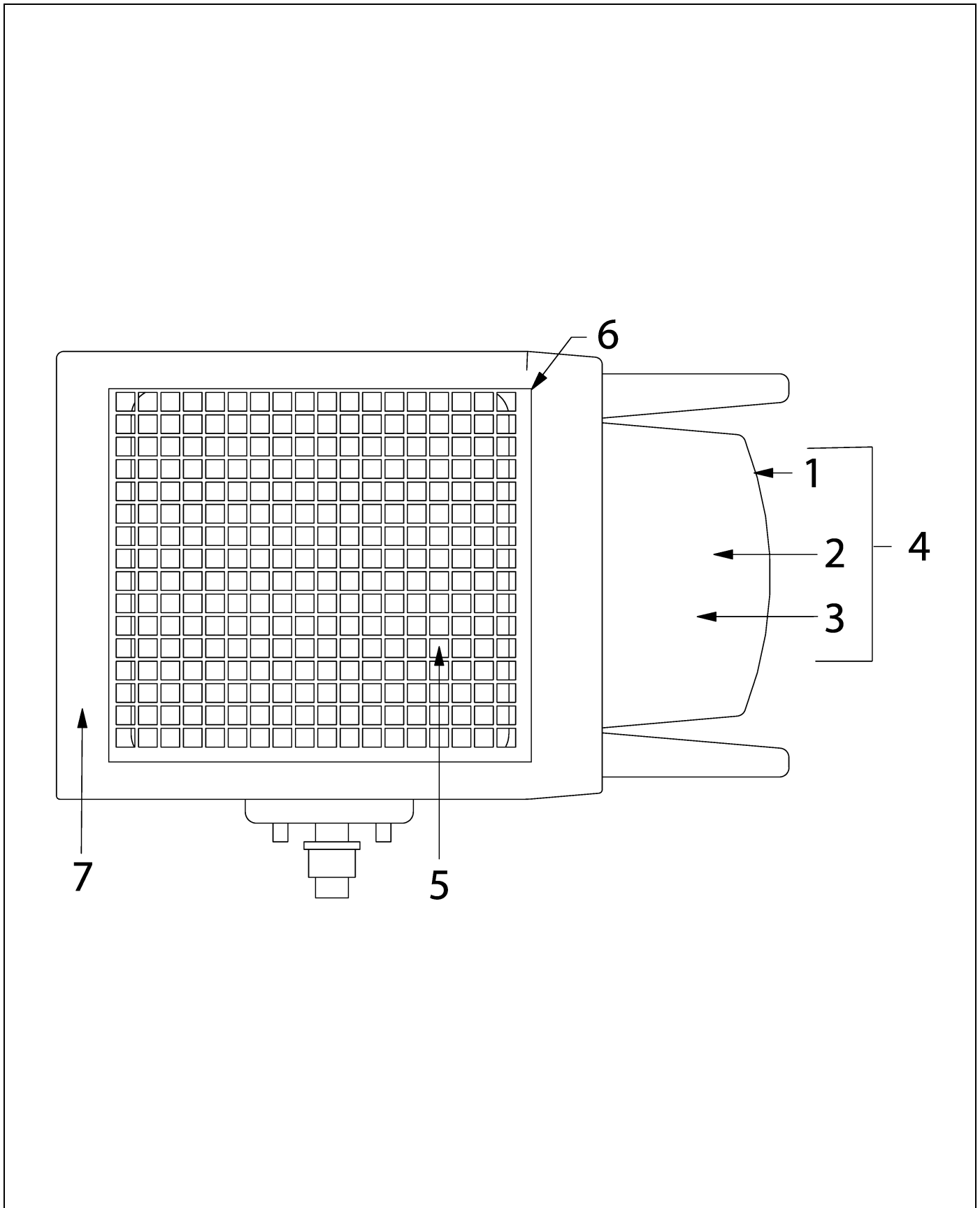


503538D1-01-M681-.TIF

LIGHT INSTL-WORK,BOOM REST

ITEM	PART #	QTY	DESCRIPTION	COMMENTS
1	AG123364	2	WORK LIGHT-DOUBLE BEAM,RWK	SEE PAGE 10-1
2	503537D1	-	BOOMREST INSTL	SEE PAGE 11-3

HEADLIGHT-LEFT,HELLA

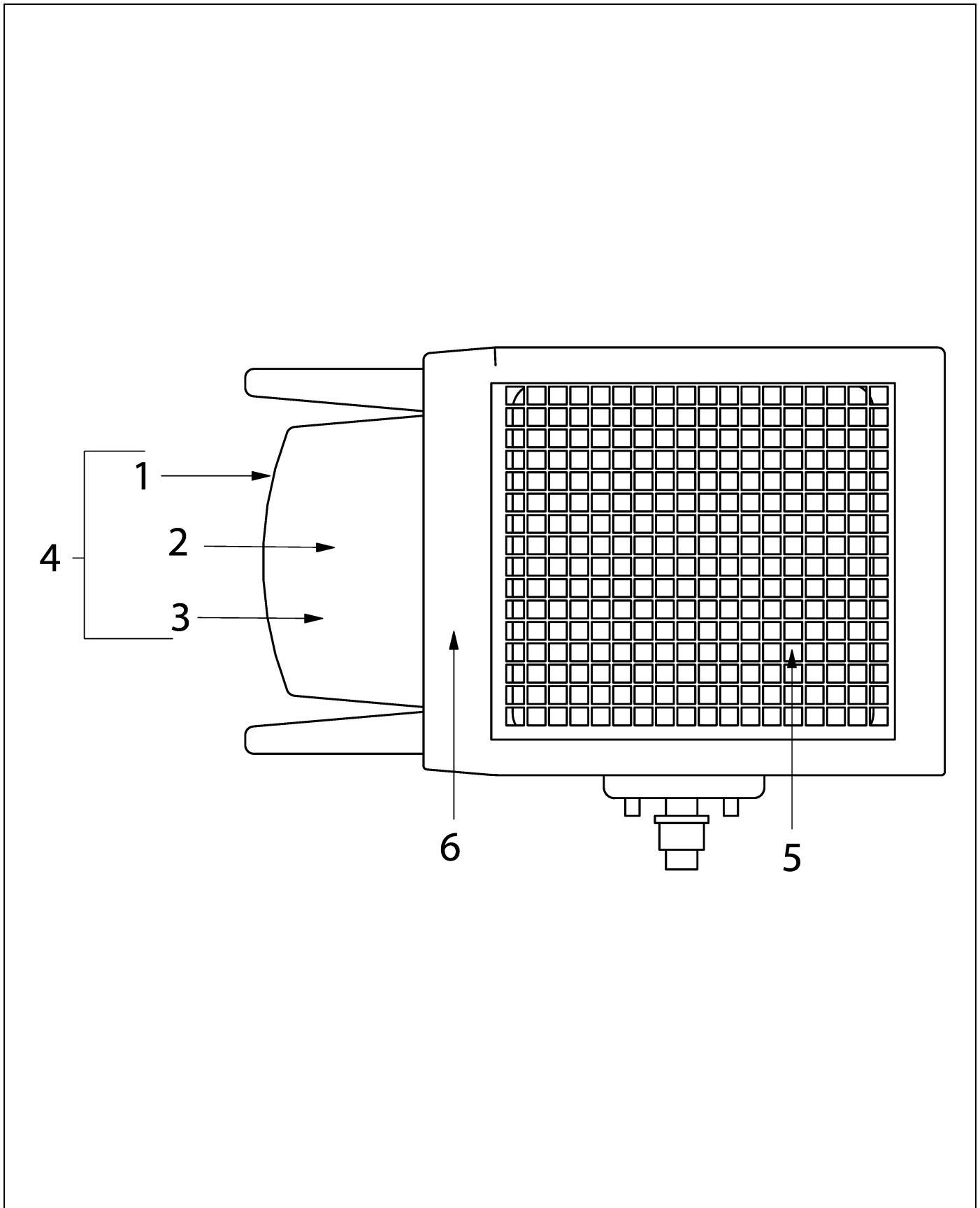


519211-E.TIF

HEADLIGHT-LEFT,HELLA

ITEM	PART #	QTY	DESCRIPTION	COMMENTS
0	AG609867	1	BULB-12V 60/55W (HEADLAMP)	
1	AG714377	1	LENS LH SIGNAL	
2	AG609868	1	BULB,12V 4W (PARKLAMP)	
3	AG609869	1	BULB-12V 21W (SIGNAL)	
4	AG711440	1	SIGNAL LENS LH 516572	
5	AG715514	1	BULB 517372	
6	AG725774	1	GRILL	
7	AG718252	1	LAMP ASM	

HEADLIGHT-RIGHT,HELLA

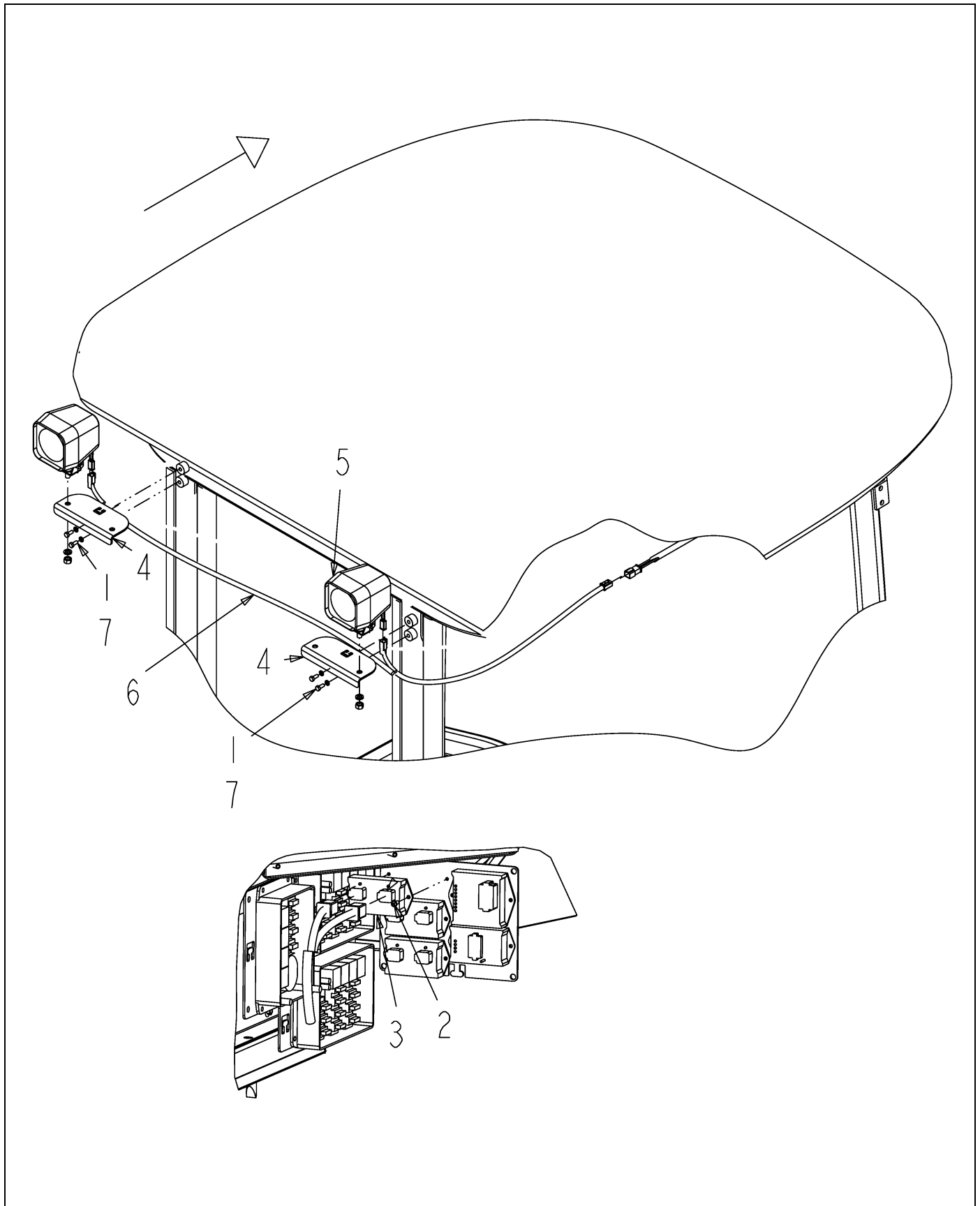


519210-E.TIF

HEADLIGHT-RIGHT,HELLA

ITEM	PART #	QTY	DESCRIPTION	COMMENTS
0	AG609867	1	BULB-12V 60/55W (HEADLAMP)	
1	AG714377	1	LENS LH SIGNAL	
2	AG609868	1	BULB,12V 4W (PARKLAMP)	
3	AG609869	1	BULB-12V 21W (SIGNAL)	
4	AG711440	1	SIGNAL LENS LH 516572	
5	AG715514	1	BULB 517372	
6	AG718252	1	LAMP ASM	

HID INSTL-CAB,REAR

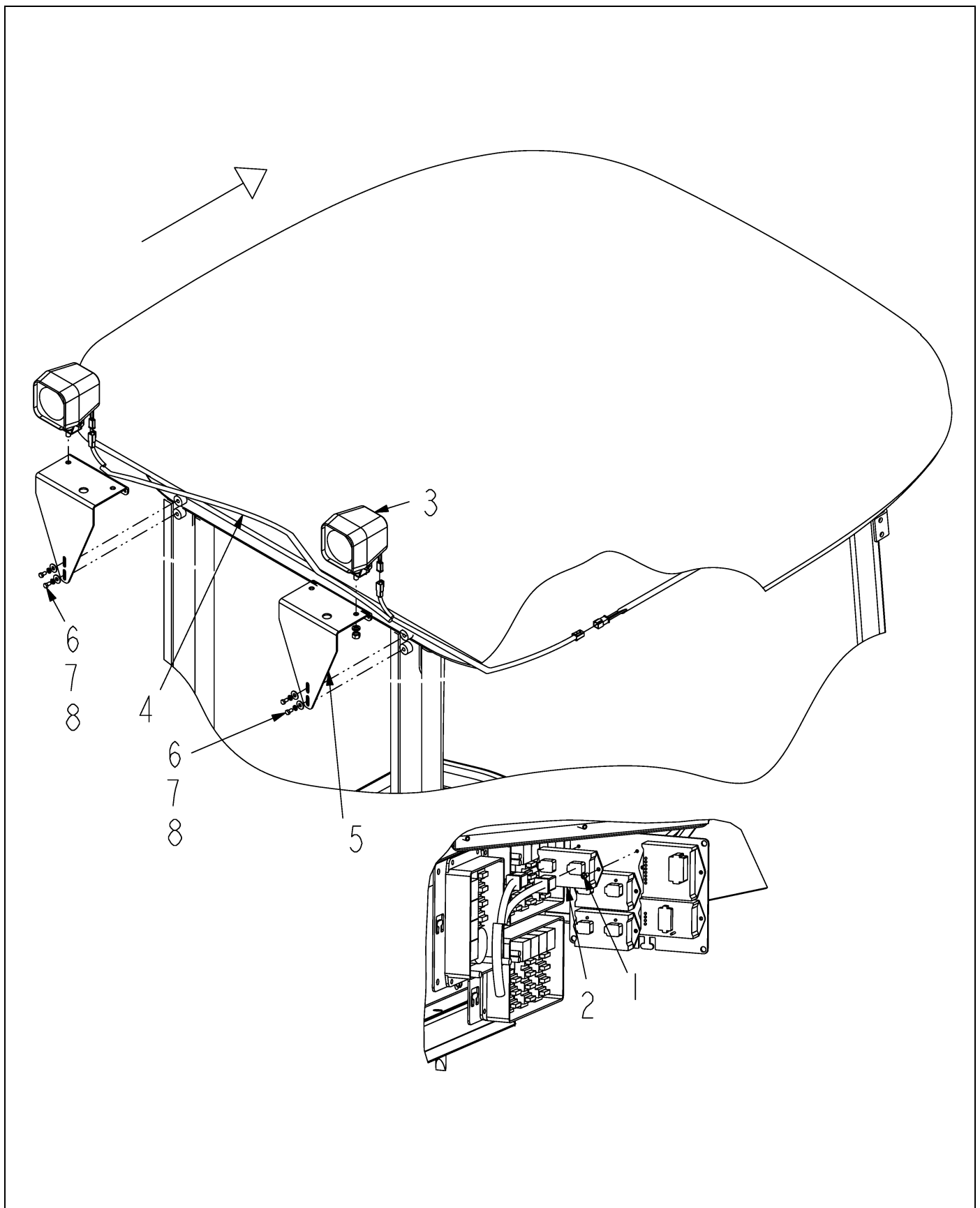


134780-02-M592-.TIF

HID INSTL-CAB,REAR

ITEM	PART #	QTY	DESCRIPTION	COMMENTS
1	AG028995	4	BOLT,M8-1.25 X 20 CL8.8	
2	AG029293	2	SCREW 10-24X0.50 TAP IWHHHD	
3	AG121750	1	MODULE-RELAY,2 PACK	
4	AG128276	2	WLDMT-WL,CAB,MINI	
5	AG129822	2	RWK-WORK LIGHT,HID	SEE PAGE 10-13
6	AG134870	1	HARNES-REAR CAB,HID	
7	AG561679	4	WASHER LOCK M8 ZN	

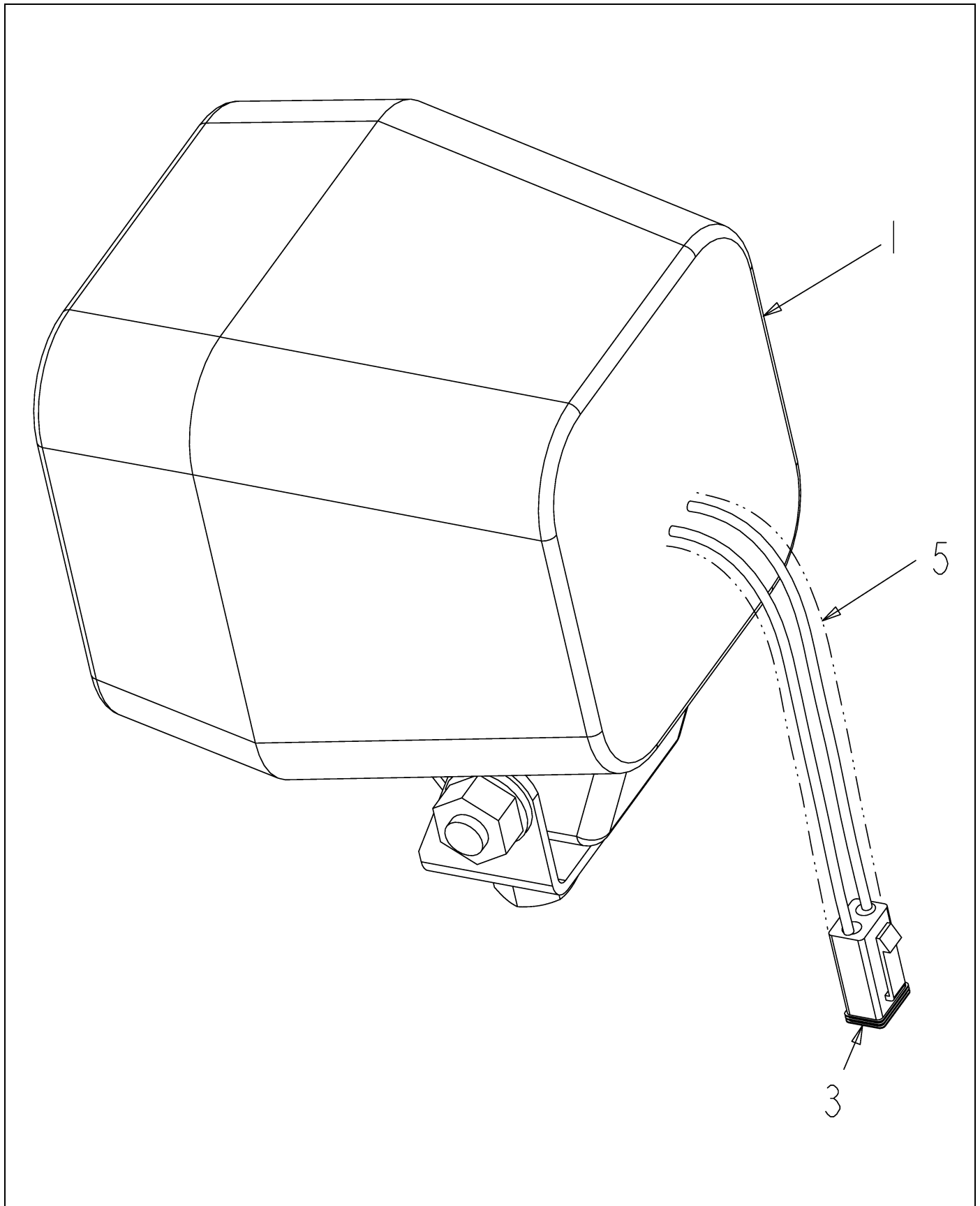
HID INSTL-ABOVE CAB,REAR



134786-02-R128-.TIF

HID INSTL-ABOVE CAB,REAR

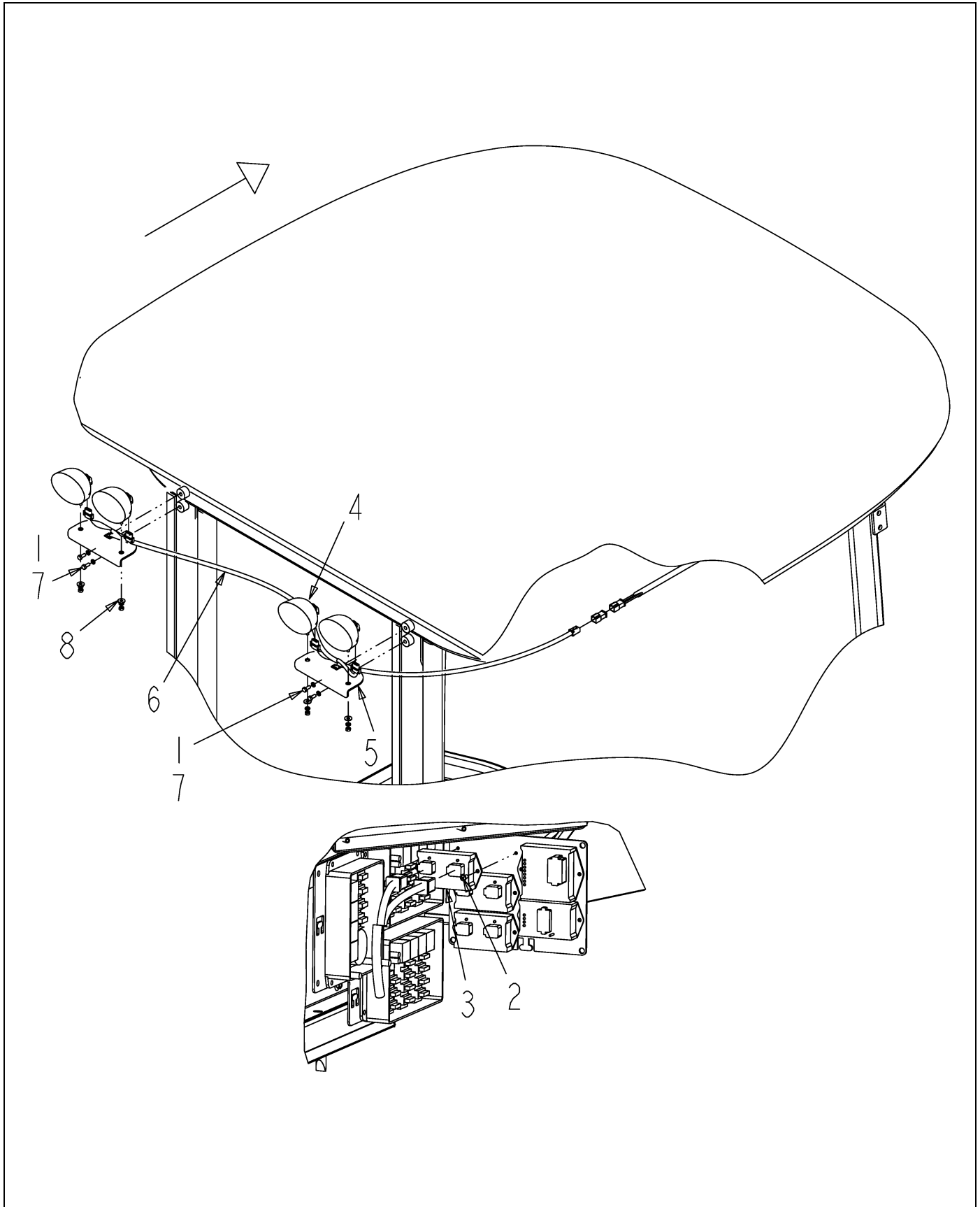
ITEM	PART #	QTY	DESCRIPTION	COMMENTS
1	AG029293	2	SCREW 10-24X0.50 TAP IWHHH	
2	AG121750	1	MODULE-RELAY,2 PACK	
3	AG129822	2	RWK-WORK LIGHT,HID	SEE PAGE 10-13
4	AG134870	1	HARNES-REAR CAB,HID	
5	503454D1	2	BRKT-WL,,REAR,,ABOVE CAB	
6	AG518055	4	BOLT M8-1.25X20MM A-2#304SSHHD	
7	AG562051	4	WASHER 0.31 LK SS REG	
8	AG562073	4	WASHER 0.37 FL SS REG TYPE-B	



129822-02-N942-.TIF

RWK-WORK LIGHT,HID

ITEM	PART #	QTY	DESCRIPTION	COMMENTS
1	AG129821	1	WORK LIGHT-HID	
2	AG523374	2	TERML-SOCK16-18GASO	
3	AG523362	1	CONN-PLUG,2WAY,18-14GA	
3	AG523365	1	LOCK-PLUG,2WAY	
5	AG512273	-	FLEX GUARD .350LCP [BULK: 0.500 FT]	

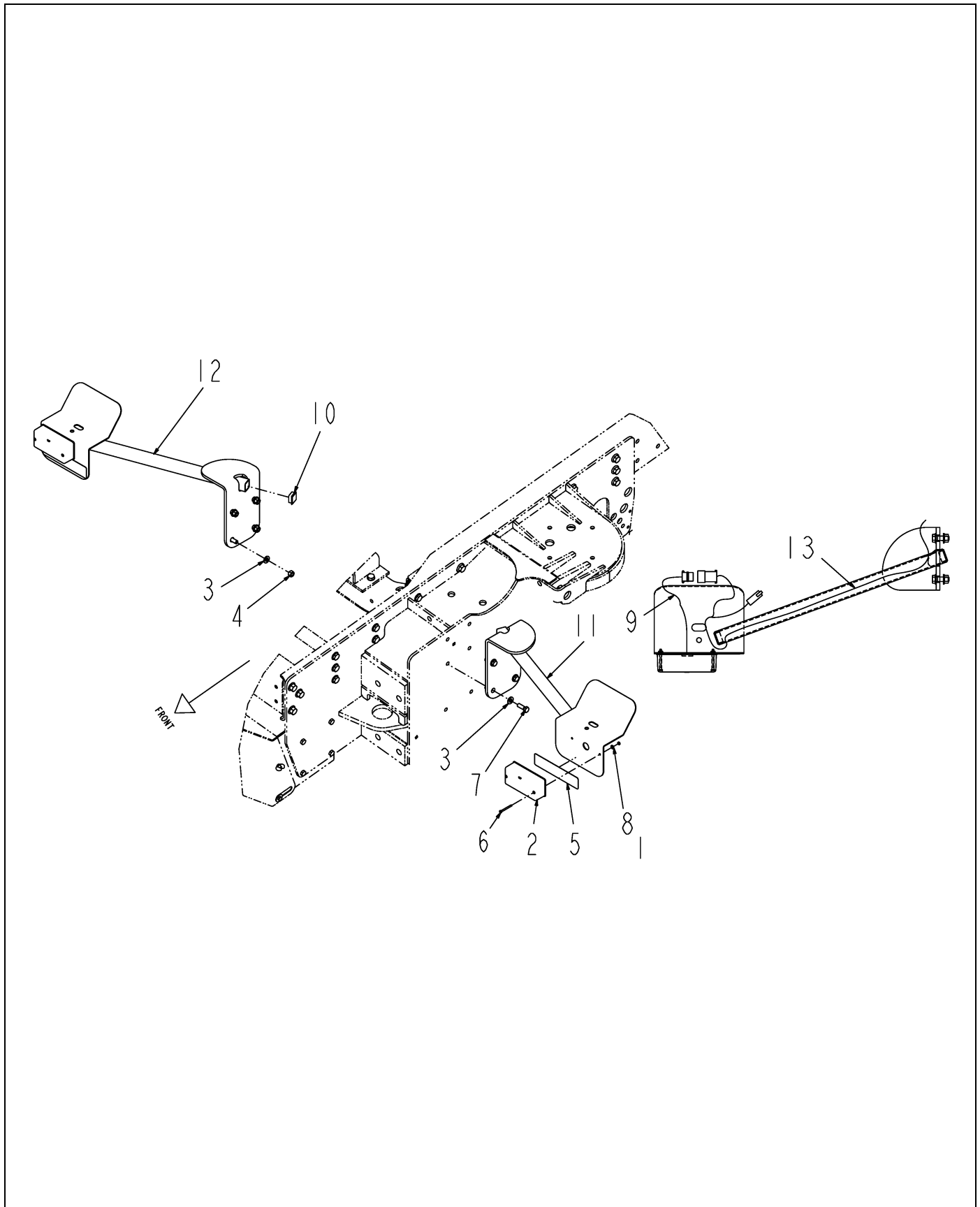


134784-02-M723-.TIF

WL INSTL-CAB,REAR

ITEM	PART #	QTY	DESCRIPTION	COMMENTS
1	AG028995	4	BOLT,M8-1.25 X 20 CL8.8	
2	AG029293	2	SCREW 10-24X0.50 TAP IWHHD	
3	AG121750	1	MODULE-RELAY,2 PACK	
4	AG122573	4	LAMP-WORK,OVAL,TRAP LENS	SEE PAGE 10-25
5	AG128276	2	WLDMT-WL,CAB,MINI	
6	AG134871	1	HARNES-REAR CAB,WL	
7	AG561679	4	WASHER LOCK M8 ZN	
8	AG562074	4	WASHER 0.31 FL SS REG TYPE-B	

LIGHT BAR INSTL

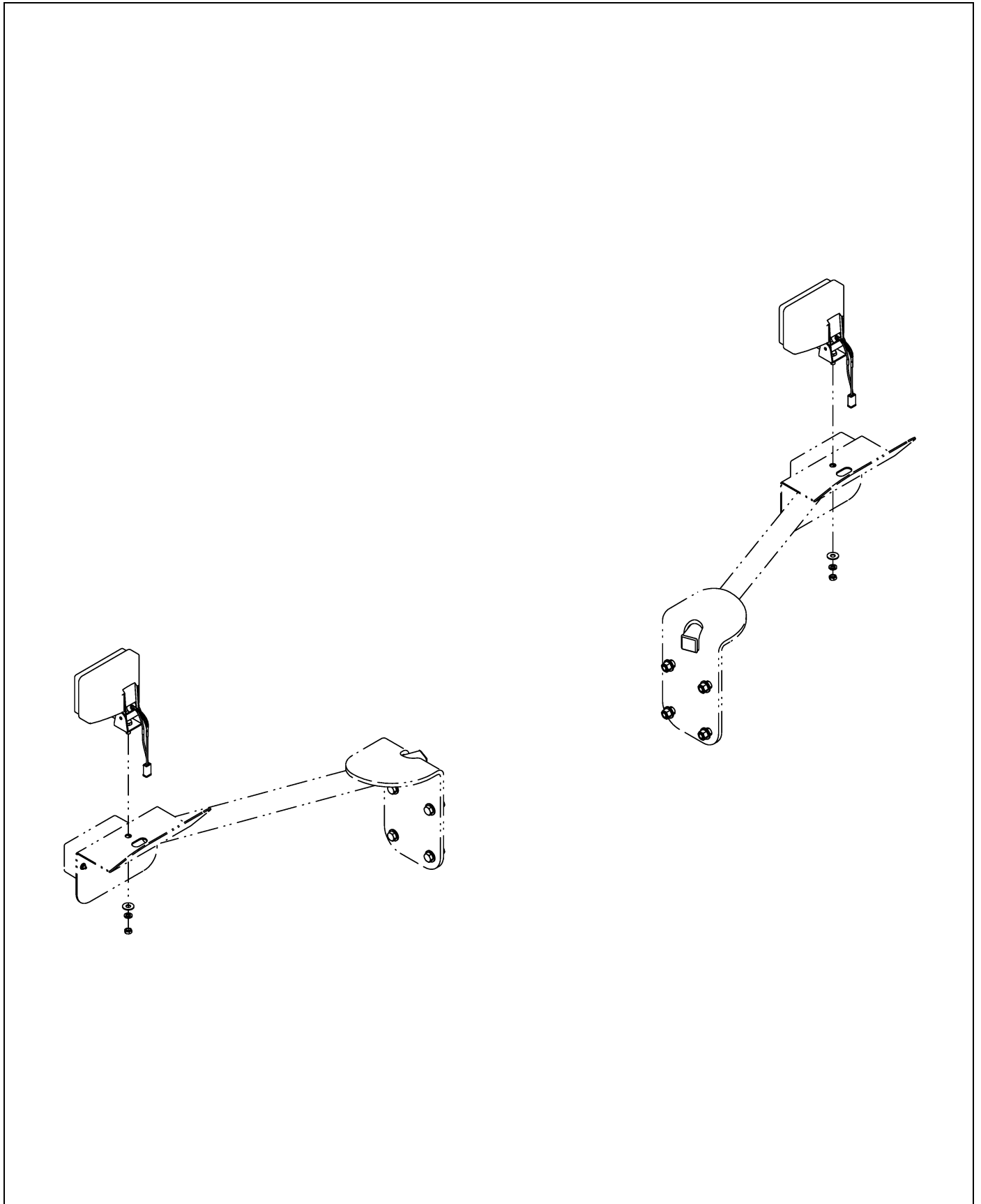


512395D1-01-N733-.TIF

LIGHT BAR INSTL

ITEM	PART #	QTY	DESCRIPTION	COMMENTS
1	AG027274	4	NUT #10-24NC HEX SS REG NY	
2	AG327247	2	LAMP-WARNING,AMBER	SEE PAGE 10-22
3	AG514554	16	WASHER 0.50 FL ZN SAE TYP-A G8	
4	AG520614	8	NUT-.50-13,G8,ZN,HH,C-LK	
5	AG523590	2	REFLECTOR-YELLOW,2.0X9.0	
6	AG523814	4	SCR-10-24X2.25,PPH,SS	
7	AG559237	8	BOLT 0.50-13NCX 1.50 G8 ZN HHD	
8	AG562082	4	WASHER #10 FL SS REG TYPE-B	
9	AG562330	-	FLEX GUARD .250 [BULK: 13.750 FT]	
10	512383D1	4	PLUG-1.5 SQTUBE, .120IN WALL	
11	512396D1	1	WLDMT-LIGHT BAR,LH	
12	512397D1	1	WLDMT-LIGHT BAR,RH	
13	512515D1	2	HARNES-LIGHT BAR	

LIGHT INSTL-WORK,LIGHT BAR

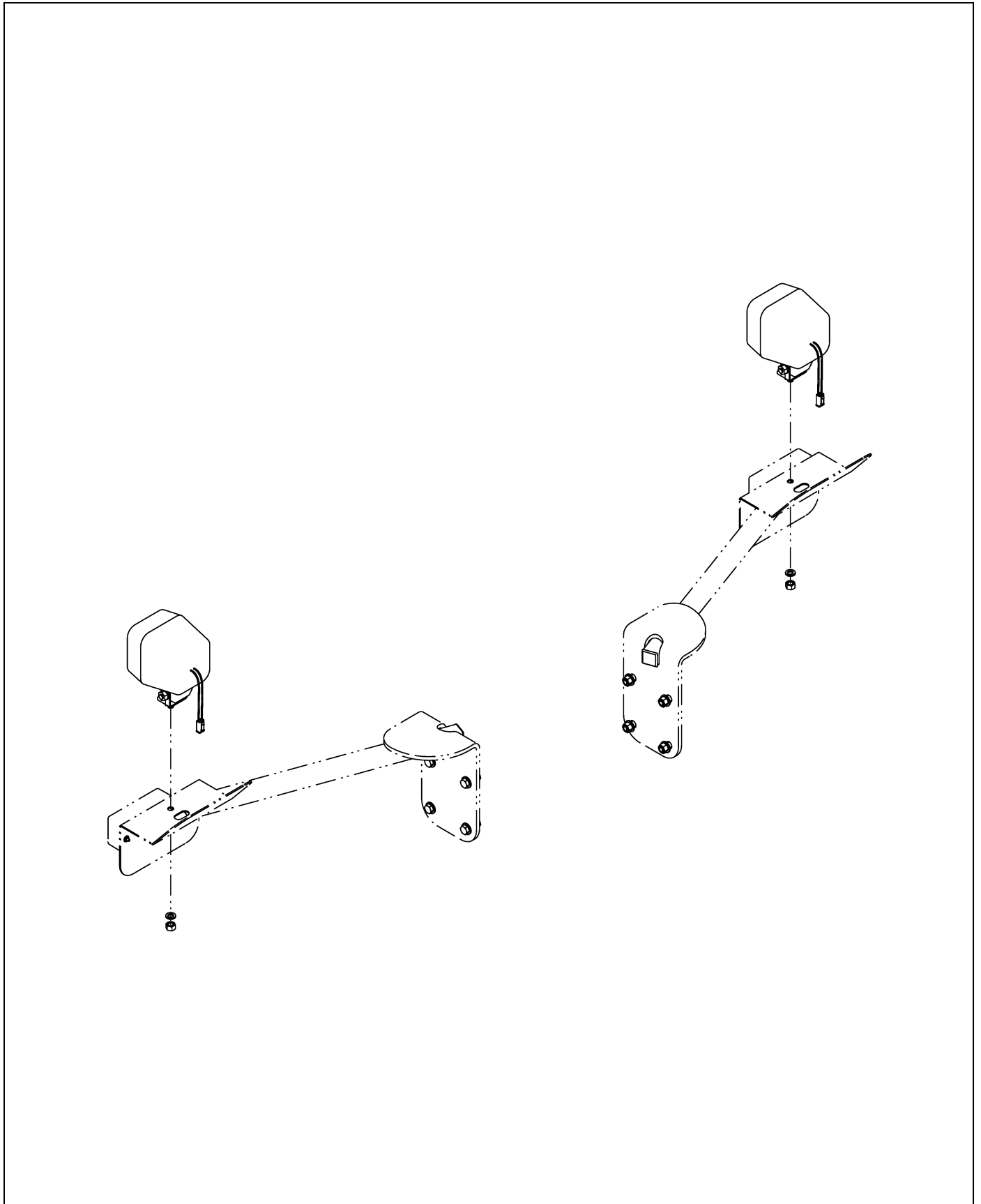


512403D1-01-N733-.TIF

LIGHT INSTL-WORK,LIGHT BAR

ITEM	PART #	QTY	DESCRIPTION	COMMENTS
1	512395D1	-	LIGHT BAR INSTL	SEE PAGE 10-15
2	513876D1	2	WORK LIGHT-DOUBLE BEAM,RWK	

LIGHT INSTL-HID,LIGHT BAR

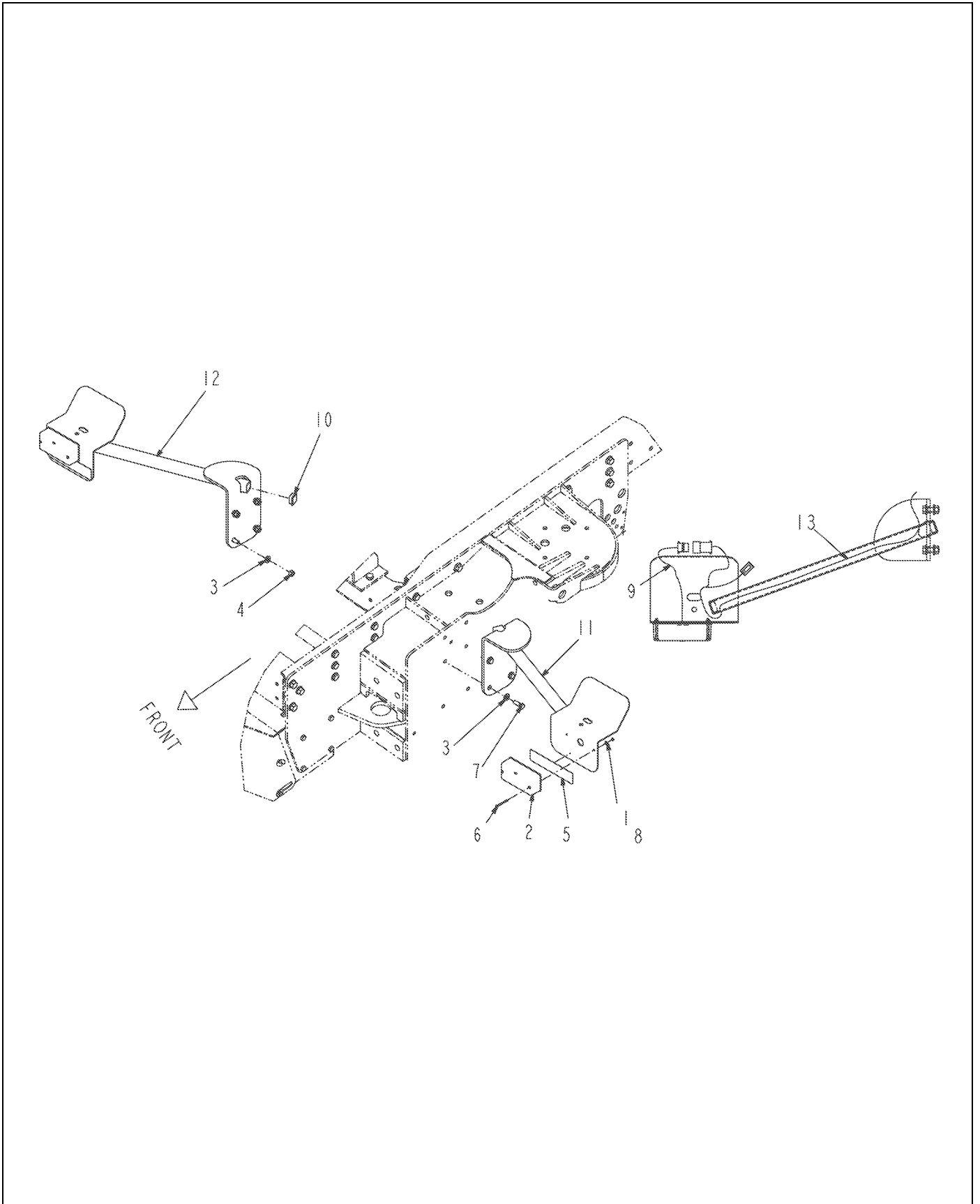


512404D1-01-N733.TIF

LIGHT INSTL-HID,LIGHT BAR

ITEM	PART #	QTY	DESCRIPTION	COMMENTS
1	513877D1	2	RWK-WORK LIGHT,HID	
2	512395D1	-	LIGHT BAR INSTL	SEE PAGE 10-15

LIGHT BAR INSTL

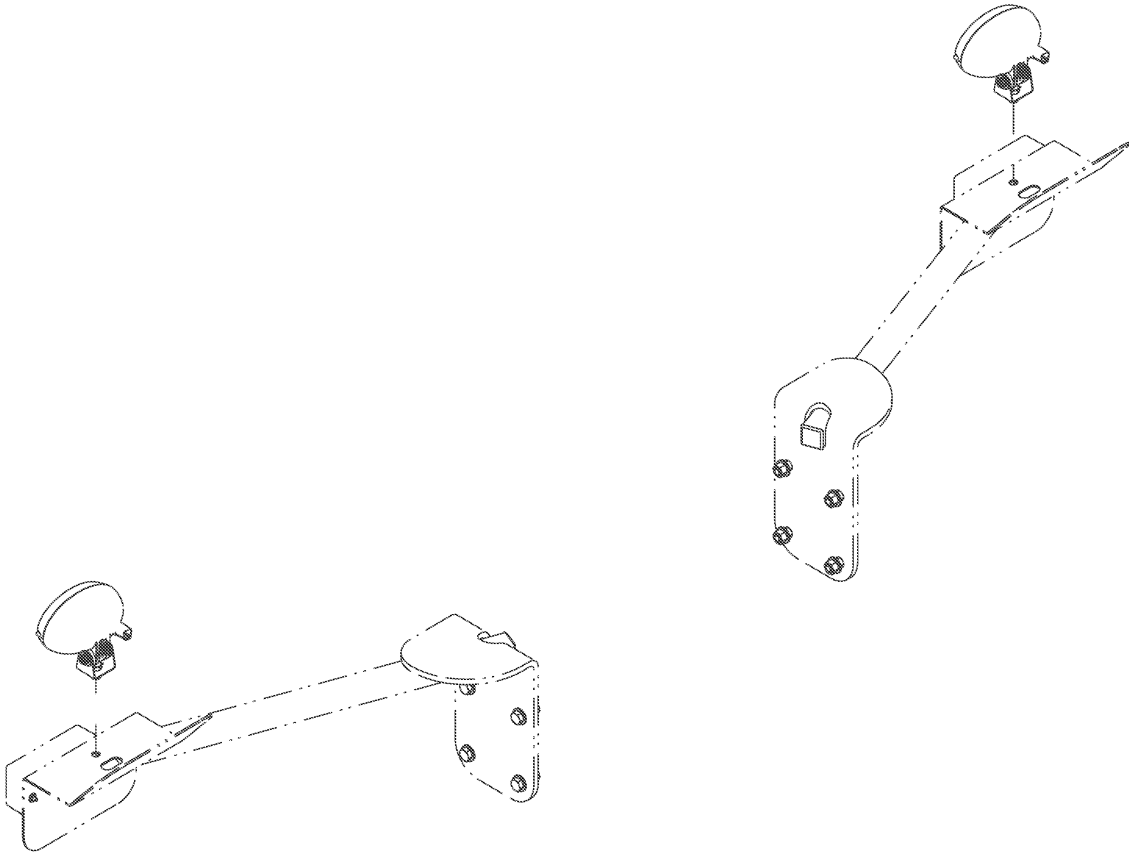


516808D1-01-N770-.TIF

LIGHT BAR INSTL

ITEM	PART #	QTY	DESCRIPTION	COMMENTS
1	AG027274	4	NUT #10-24NC HEX SS REG NY	
2	AG327247	2	LAMP-WARNING,AMBER	SEE PAGE 10-22
3	AG514554	16	WASHER 0.50 FL ZN SAE TYP-A G8	
4	AG520614	8	NUT-.50-13,G8,ZN,HH,C-LK	
5	AG523590	2	REFLECTOR-YELLOW,2.0X9.0	
6	AG523814	4	SCR-10-24X2.25,PPH,SS	
7	AG559237	8	BOLT 0.50-13NCX 1.50 G8 ZN HHD	
8	AG562082	4	WASHER #10 FL SS REG TYPE-B	
9	AG562330	-	FLEX GUARD .250 [BULK: 13.750 FT]	
10	512383D1	4	PLUG-1.5 SQTUBE, .120IN WALL	
11	512396D1	1	WLDMT-LIGHT BAR,LH	
12	512397D1	1	WLDMT-LIGHT BAR,RH	
13	516816D1	2	HARNESS-LIGHT BAR	
	FOOTNOTE		Effective S/N (Txx1001) and up.	

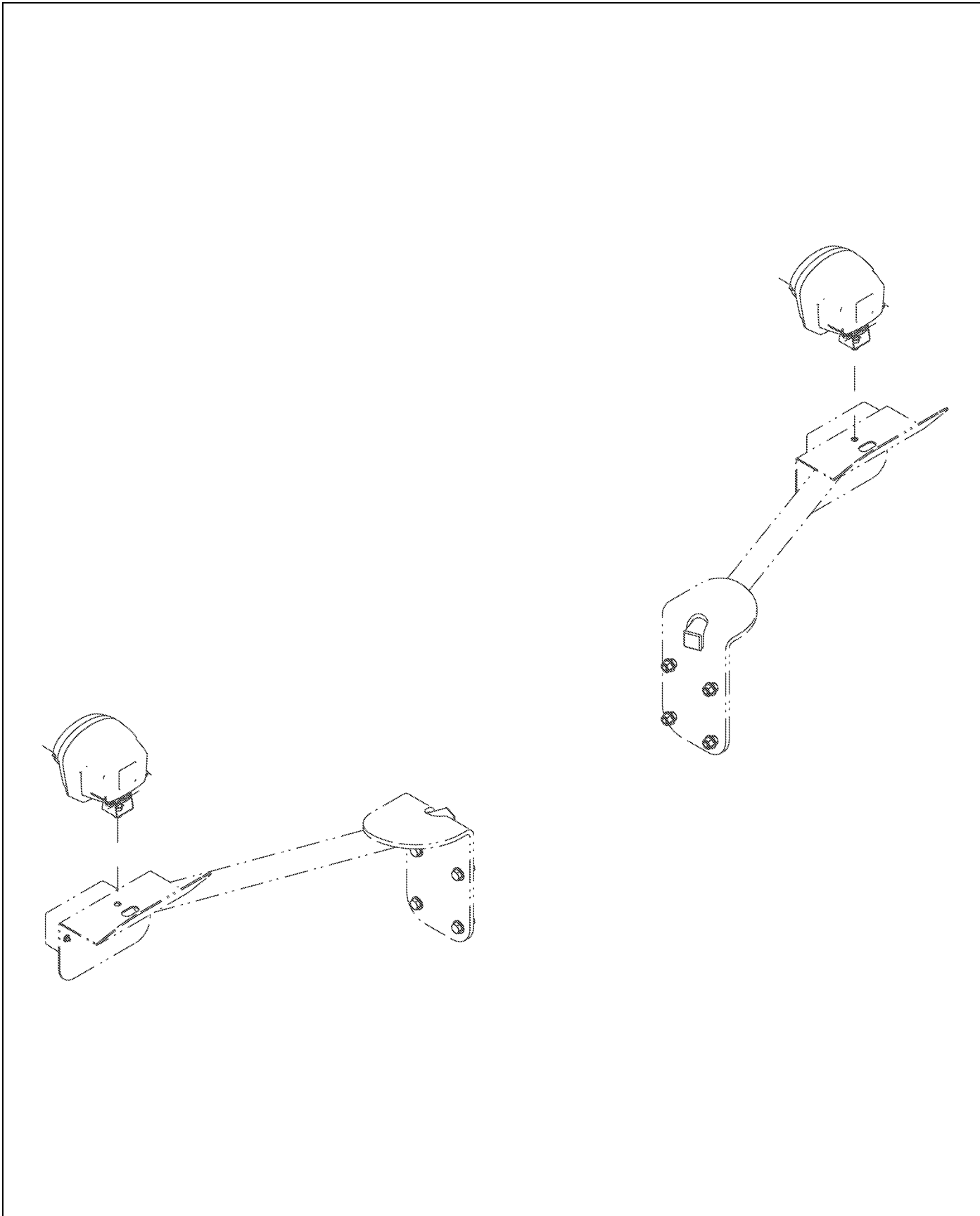
LIGHT INSTL-WORK, LIGHT BAR



516809D1-01-N770-.TIF

LIGHT INSTL-WORK, LIGHT BAR

ITEM	PART #	QTY	DESCRIPTION	COMMENTS
1	515470D1	2	WORK LIGHT-DUAL BEAM	
2	516808D1 FOOTNOTE	-	LIGHT BAR INSTL Effective S/N (Txx1001) and up.	SEE PAGE 10-18

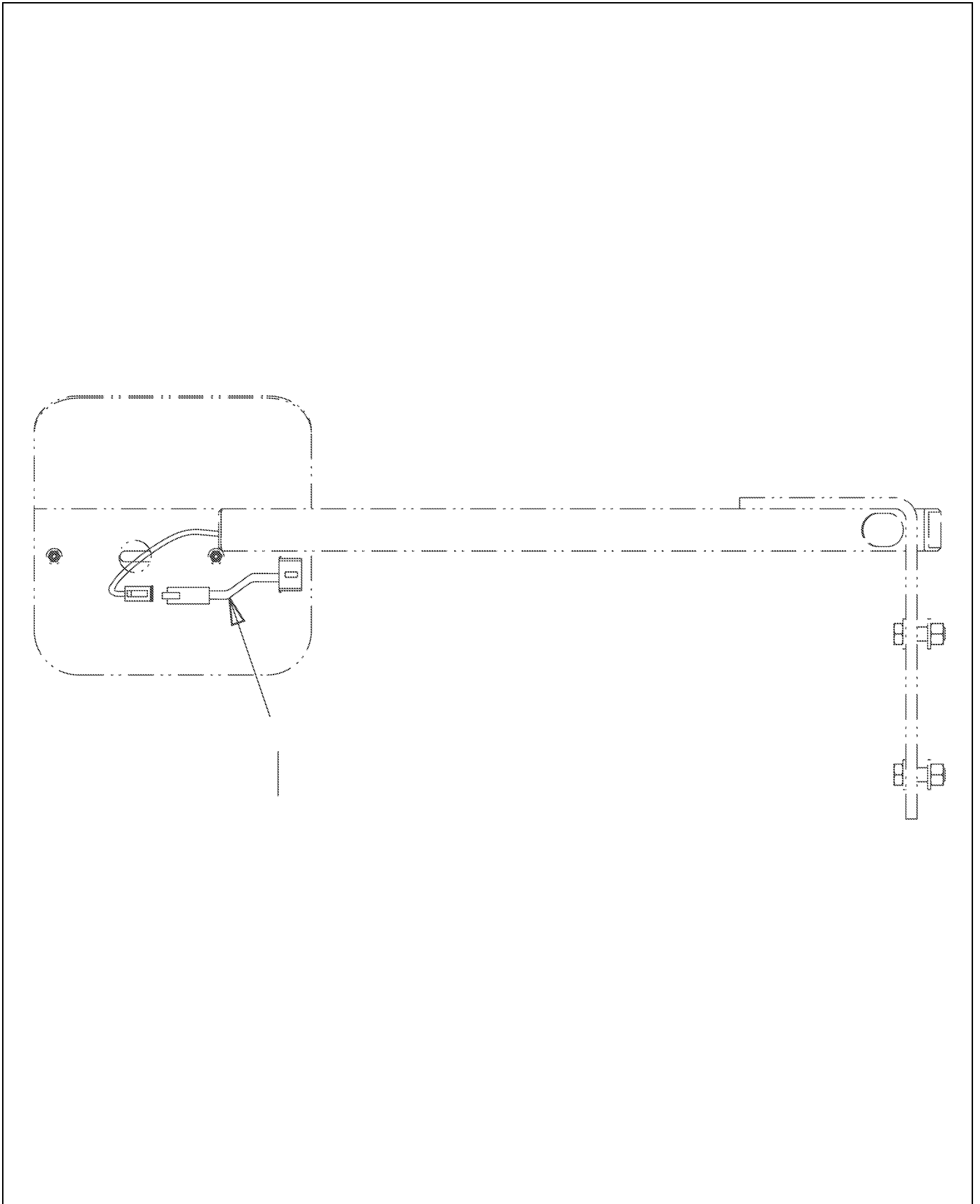


516810D1-01-N770-.TIF

LIGHT INSTL-HID, LIGHT BAR

ITEM	PART #	QTY	DESCRIPTION	COMMENTS
1	509644D1	2	LIGHT-WORK,HID	
2	516808D1 FOOTNOTE	-	LIGHT BAR INSTL Effective S/N (Txx1001) and up.	SEE PAGE 10-18

HARNESS INSTL-NO WL, LIGHT BAR

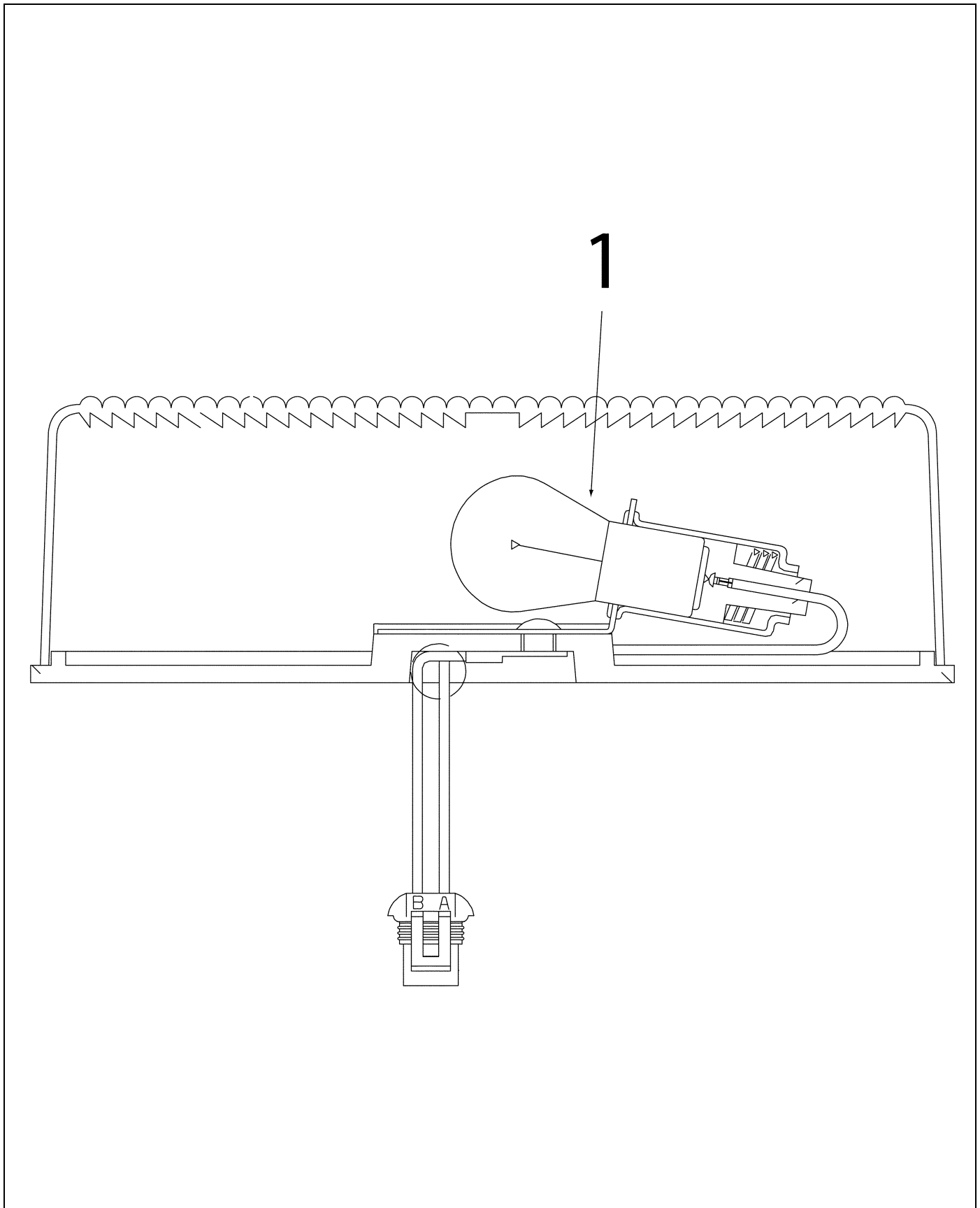


516811D1-01-N770-.TIF

HARNESS INSTL-NO WL, LIGHT BAR

ITEM	PART #	QTY	DESCRIPTION	COMMENTS
1	515894D1	2	HARNESS-I/O, LOAD STIMULATOR	
2	516808D1 FOOTNOTE	-	LIGHT BAR INSTL Effective S/N (Txx1001) and up.	SEE PAGE 10-18

LAMP-WARNING,AMBER

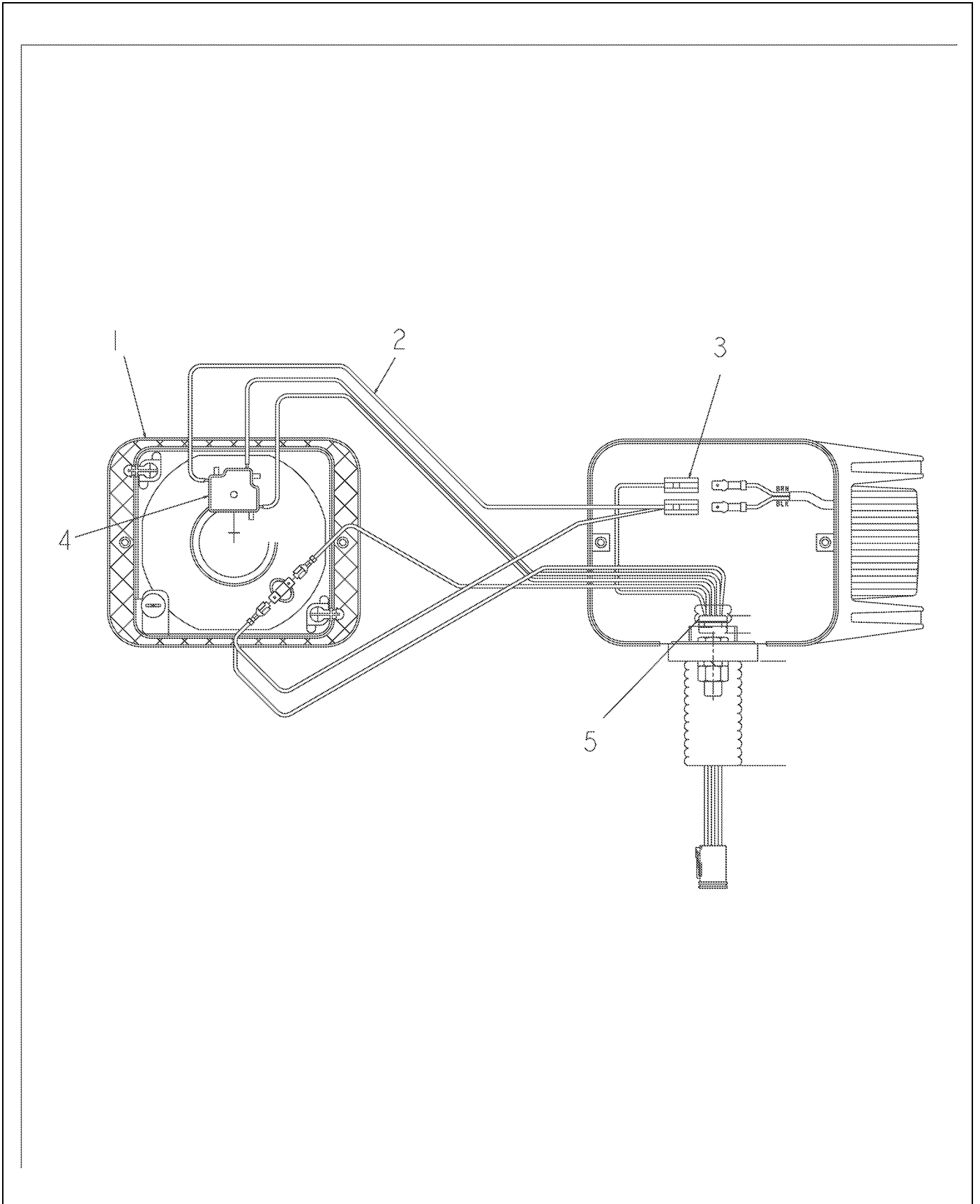


327247-A.TIF

LAMP-WARNING,AMBER

ITEM	PART #	QTY	DESCRIPTION	COMMENTS
1	AG721040	1	BULB FRONT #1156 TURN SIGNAL	

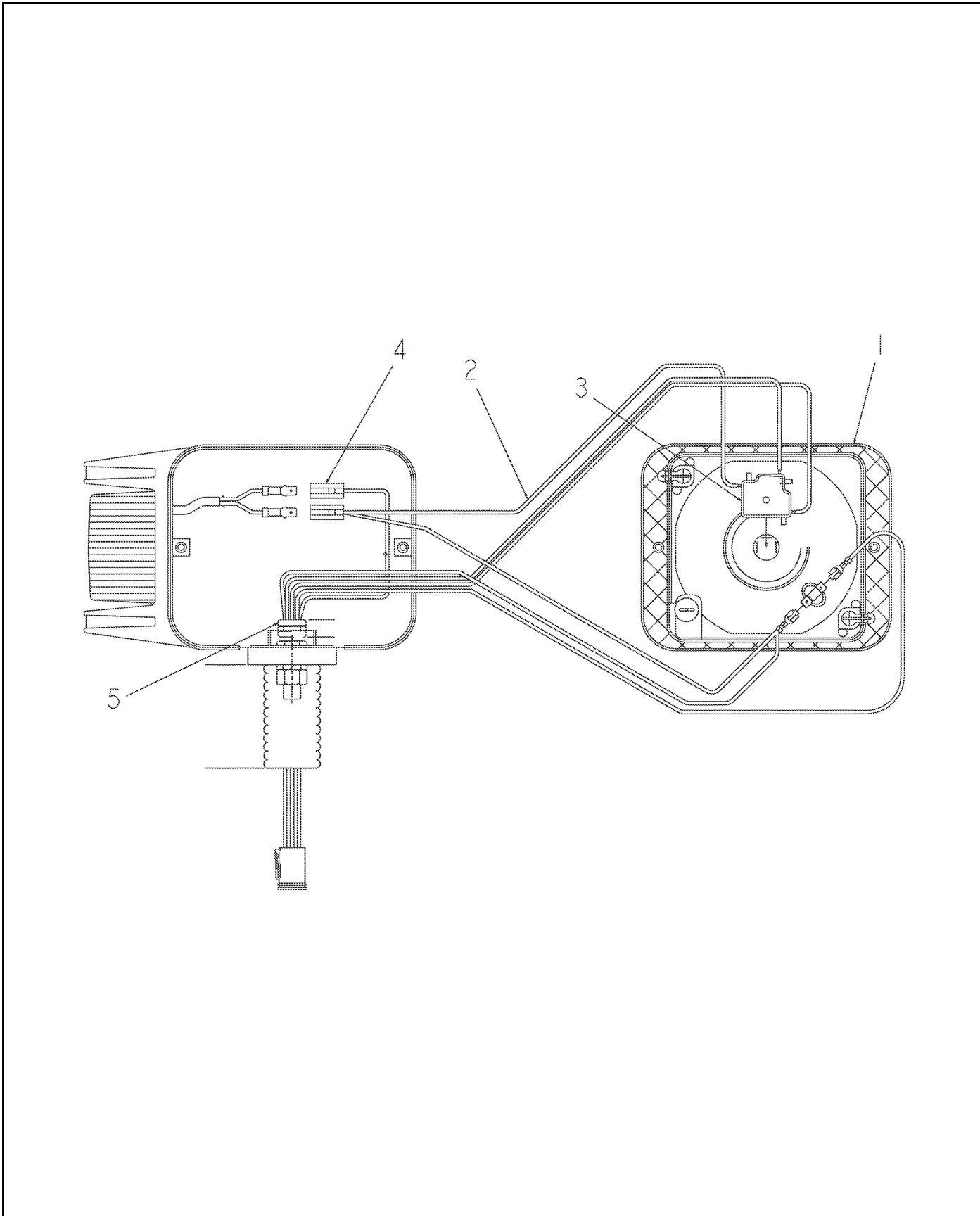
ASM-HEADLIGHT,ELEC,LH



505698D1-01-M712.TIF

ASM-HEADLIGHT,ELEC,LH

ITEM	PART #	QTY	DESCRIPTION	COMMENTS
1	AG519211	1	HEADLIGHT-LEFT,HELLA	SEE PAGE 10-9
2	505540D1	1	HARNES-HEADLIGHT,NON DOM	
3	AG515203	2	BODY CONNECTOR MALE 1-CONTACT	
4	AG609486	1	HEADLAMP CONNECTOR 517372	
5	AG518038	1	GROMMET INSULATION 0.50 ID	

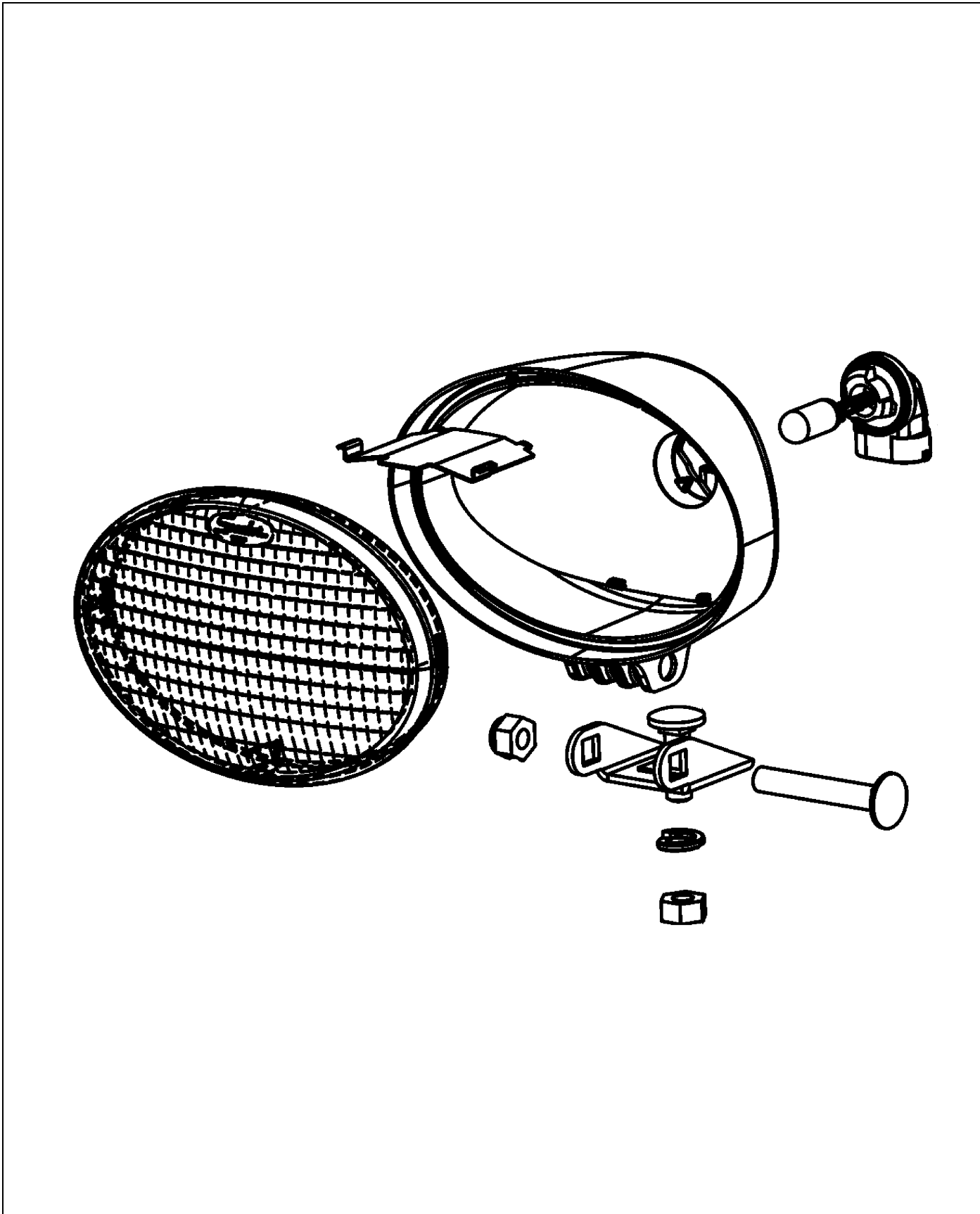


505699D1-01-M712.TIF

ASM-HEADLIGHT,ELEC,RH

ITEM	PART #	QTY	DESCRIPTION	COMMENTS
1	AG519210	1	HEADLIGHT-RIGHT,HELLA	SEE PAGE 10-10
2	505540D1	1	HARNES-HEADLIGHT,NON DOM	
3	AG609486	1	HEADLAMP CONNECTOR 517372	
4	AG515203	2	BODY CONNECTOR MALE 1-CONTACT	
5	AG518038	1	GROMMET INSULATION 0.50 ID	

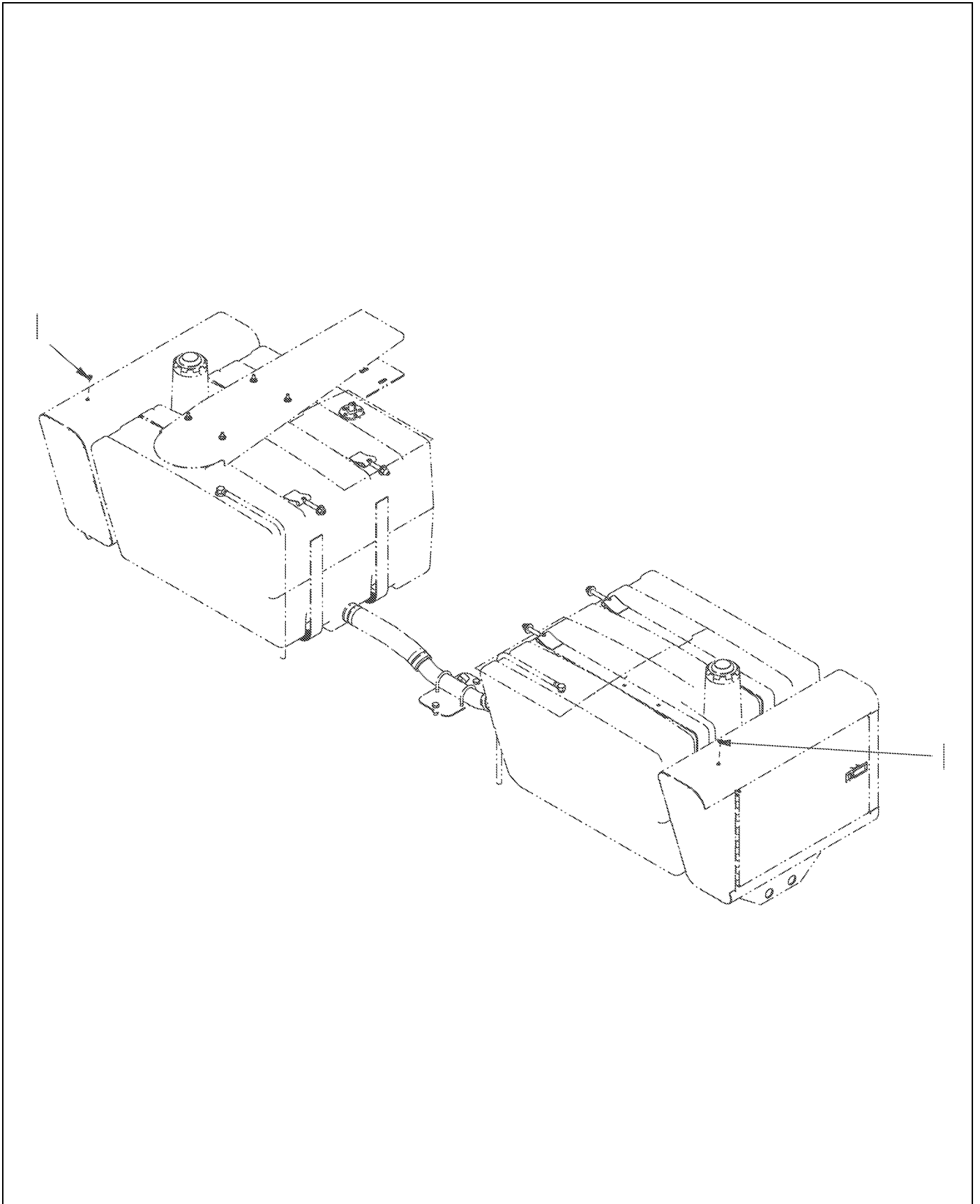
LAMP-WORK, OVAL, TRAP LENS



122573-D.tif

LAMP-WORK,OVAL,TRAP LENS

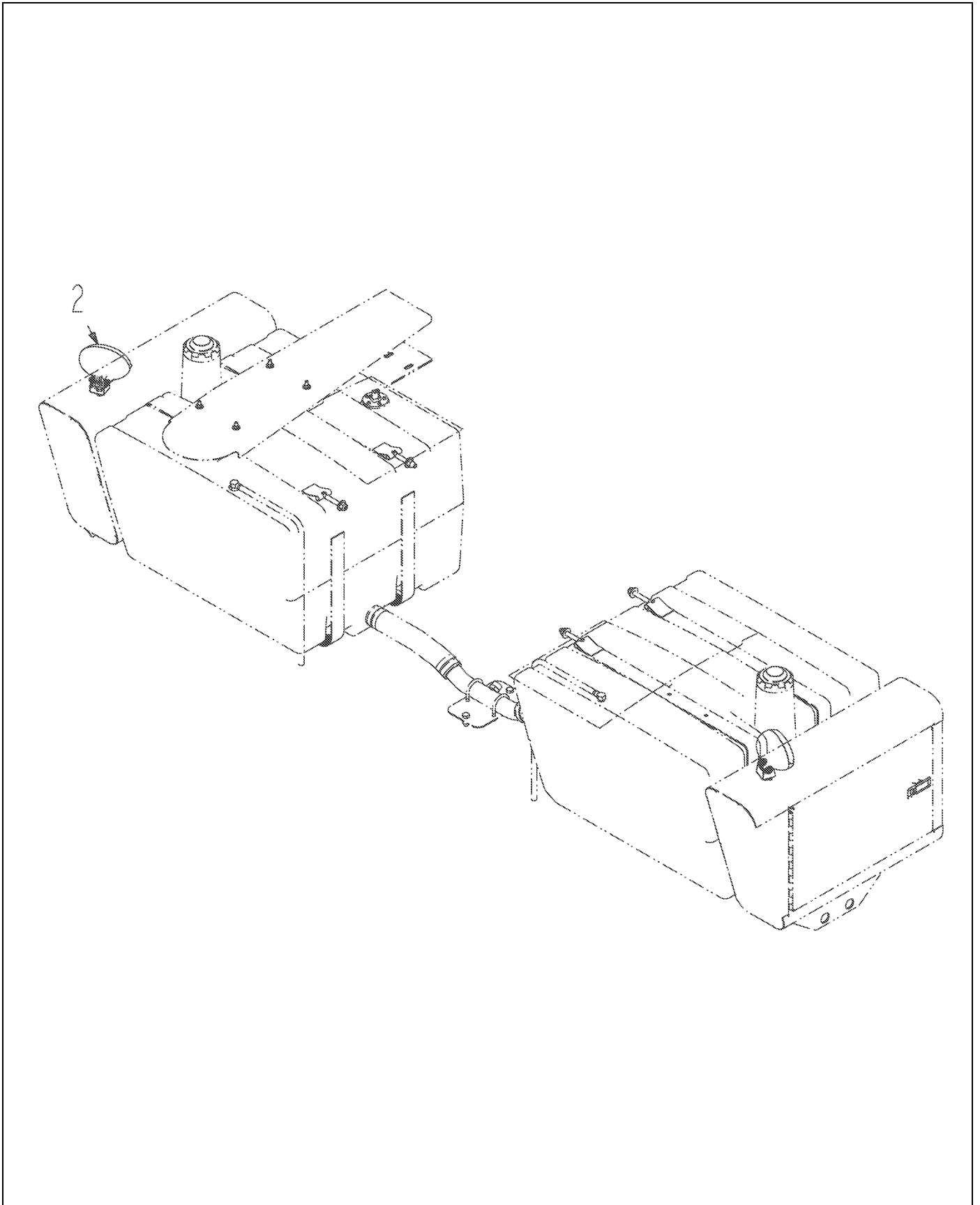
ITEM	PART #	QTY	DESCRIPTION	COMMENTS
1	AG520989	1	LAMP-HALOGEN,3.90 AMPS	



515460D1-01-N770-.TIF

NO WL-INSTL

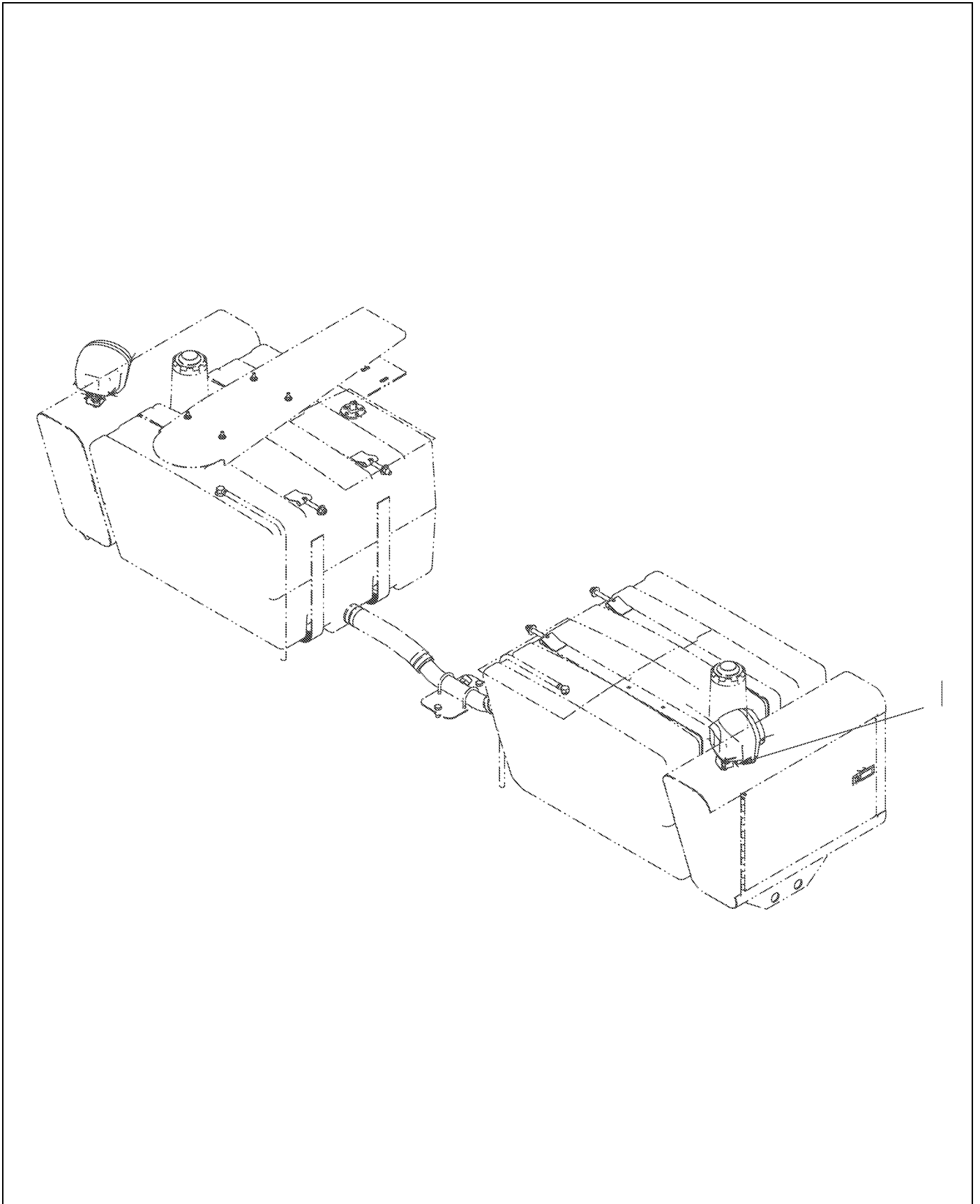
ITEM	PART #	QTY	DESCRIPTION	COMMENTS
1	AG604415 FOOTNOTE	2	PLUG BLK HOLE 0.43 Effective S/N (Txx1001) and up.	



515461D1-01-N770-.TIF

WL INSTL-TOOL BOX

ITEM	PART #	QTY	DESCRIPTION	COMMENTS
1	515464D1	1	WL-INSTL, TOOLBOX	
2	515470D1	2	WORK LIGHT-DUAL BEAM	
	FOOTNOTE		Effective S/N (Txx1001) and up.	

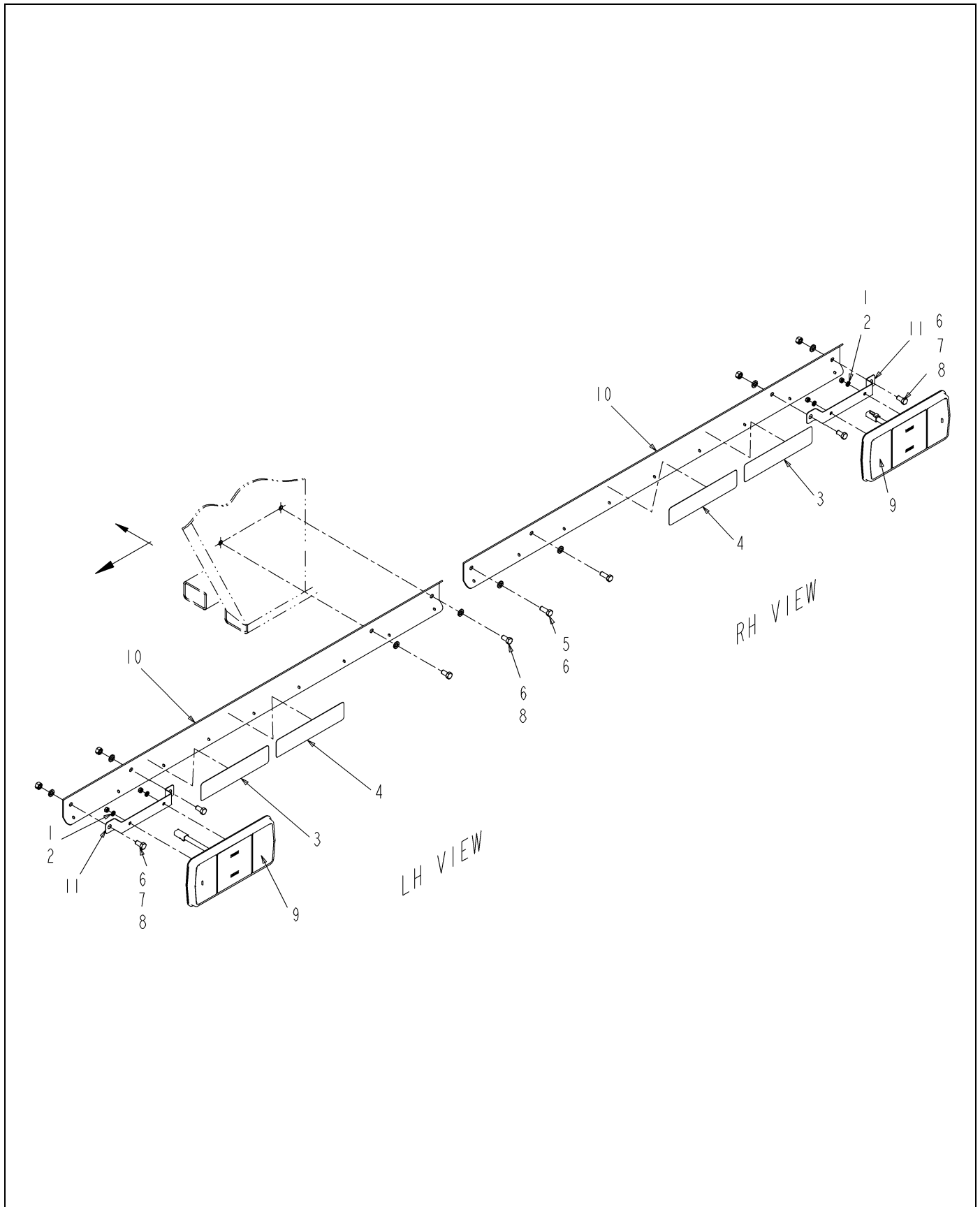


515462D1-01-N770-.TIF

WL INSTL-TOOL BOX,HID

ITEM	PART #	QTY	DESCRIPTION	COMMENTS
1	509644D1	2	LIGHT-WORK,HID	
2	515464D1	1	WL-INSTL, TOOLBOX	
	FOOTNOTE		Effective S/N (Txx1001) and up.	

TAILLIGHT INSTL-LED,NL



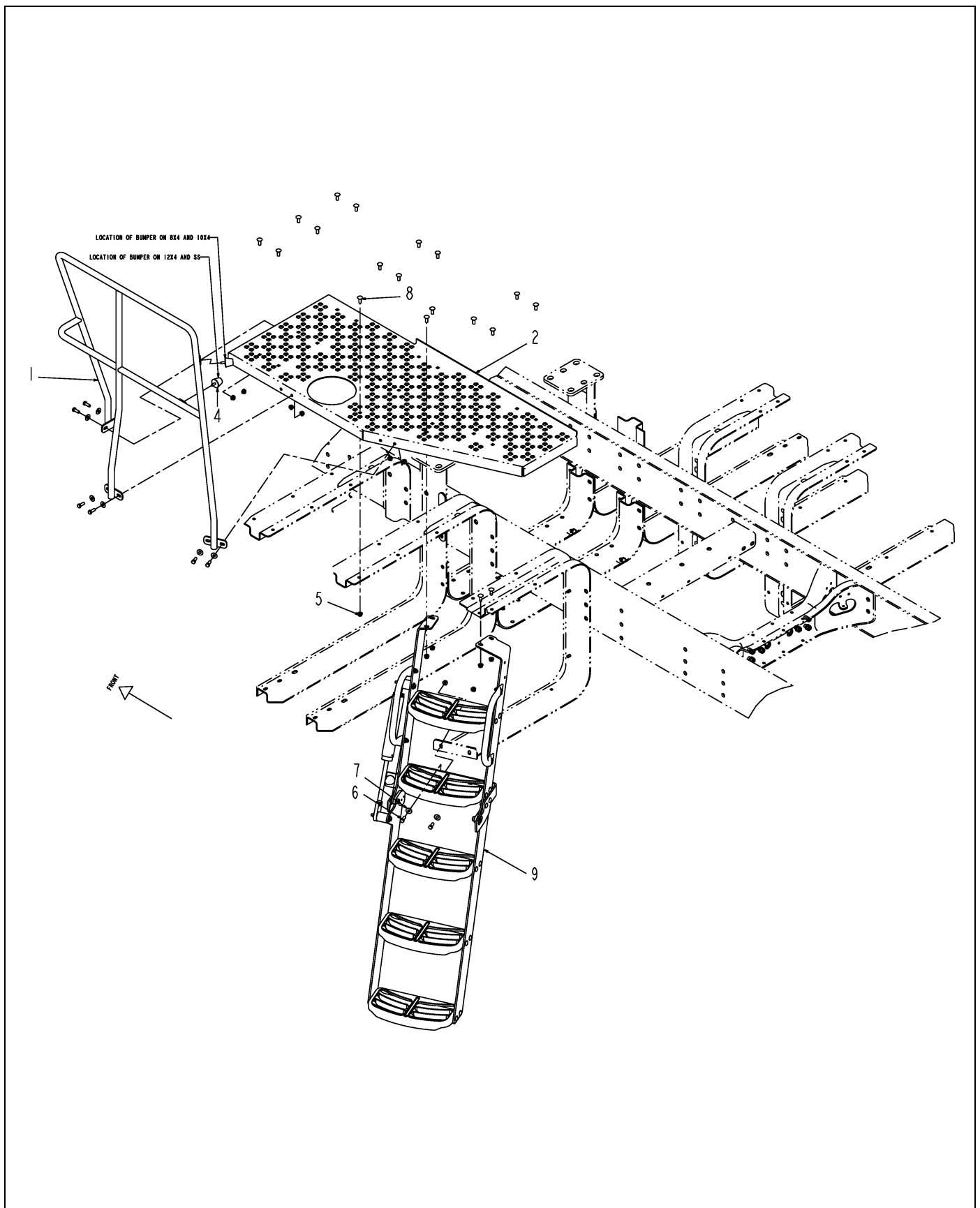
504751D1-03-R173-.TIF

TAILLIGHT INSTL-LED,NL

ITEM	PART #	QTY	DESCRIPTION	COMMENTS
1	AG522242	4	WASHER-LK,M6,SS	
2	AG522243	4	NUT-M6-1.0,SS,H	
3	AG523361	2	TAPE-REFLECTIVE,RED,DOT-C2	
4	AG523591	2	REFLECTOR-FLUOR RED/ORN2.0X9.0	
5	AG562048	2	BOLT 0.37-16NCX 1.00 S.S. HHD	
6	AG562050	8	WASHER 0.37 LK SS REG	
7	AG562065	4	NUT 0.37-16NC HEX SS REG	
8	AG562120	6	BOLT 0.37-16NCX 0.75 S.S. HHD	
9	503685D1	2	ASM-TLLT,LED,SPEAKER	
10	504749D1	2	CHANNEL-EXTENSION,TAILLIGHT	
11	504750D1	2	BRACKET-TAILLIGHT	

PLATFORM INSTL-ENTRANCE	11-1
LADDER ASM-ENTRANCE	11-2
BOOMREST INSTL	11-3
BOOM REST INSTL	11-4
BOOMREST INSTL-RH OFS, 12X4/SS	11-5
BOOMREST INSTL-NON DOM,12X4/SS	11-6
CABINET ASM-TOOL BOX,LH	11-7
CABINET-TOOL,LH	11-8
CABINET ASM-TOOL BOX,RH	11-9
CABINET-TOOL,RH	11-10
NON-DOMESTIC GROUP,12XX	11-11
HOOD/BUMPER INSTL	11-12
HOOD/GRILLE ASM	11-13
BOOMREST INSTL-120"BM,12X4	11-14
BOOMREST INSTL-120" BM,12X	11-15
CABINET ASM	11-16
SUPPORT ASM-HOOD REAR	11-17

PLATFORM INSTL-ENTRANCE

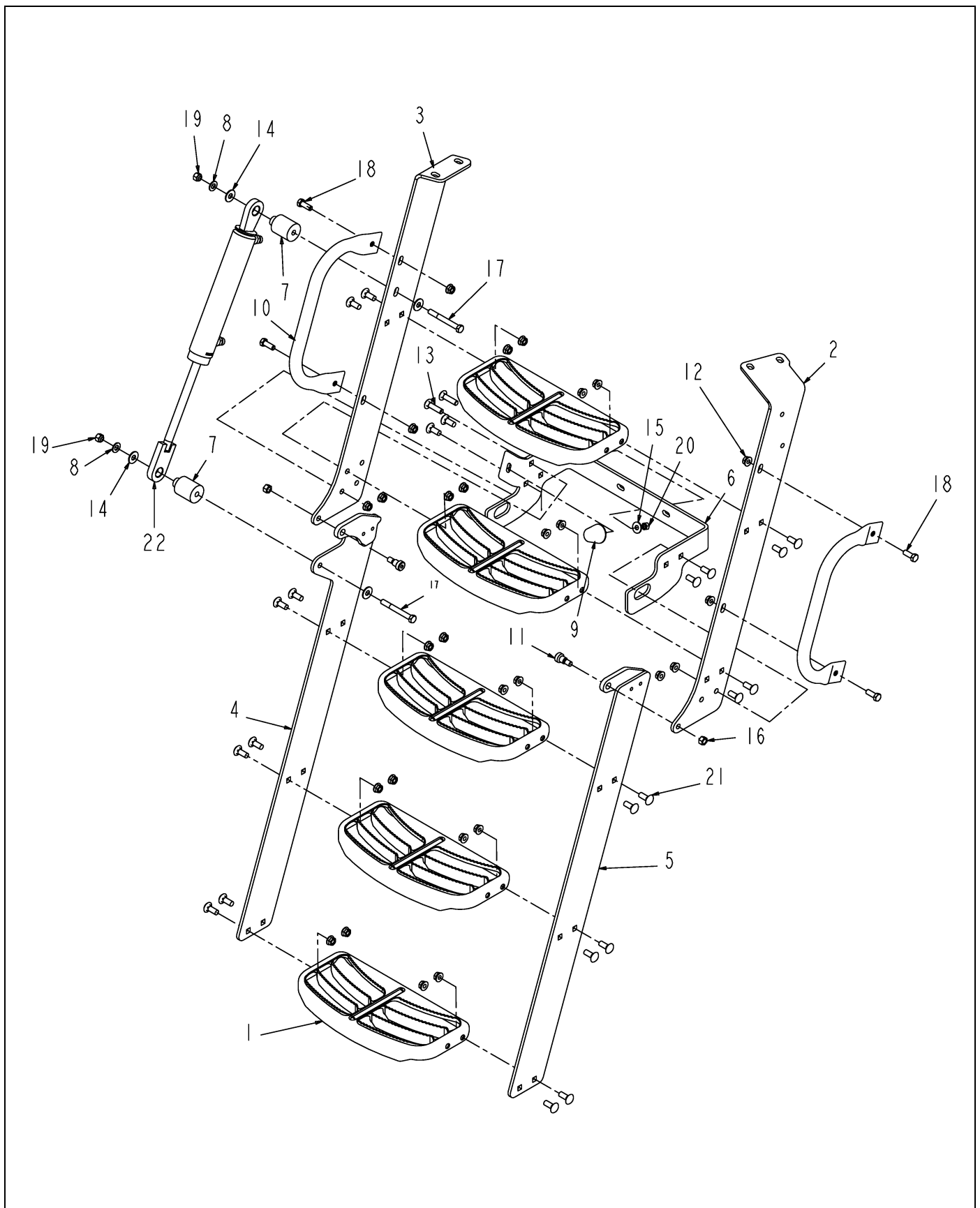


512473D1-01-N308-.TIF

PLATFORM INSTL-ENTRANCE

ITEM	PART #	QTY	DESCRIPTION	COMMENTS
1	AG130020	1	HANDRAIL WLDMT-PLATFORM	
2	AG130449	1	PLATFORM-ENTRANCE, CAB	
3	AG512885	-	LOCTITE ADHESIVE SEALANT BLUE	
4	AG519802	1	BUMPER, RUBBER VIBRATION	
5	AG522562	27	NUT-.38-16,SS,SFLG,H	
6	AG562048	8	BOLT 0.37-16NCX 1.00 S.S. HHD	
7	AG562073	8	WASHER 0.37 FL SS REG TYPE-B	
8	AG609084	19	BOLT 0.37-16NCX 1.00 SS CRG	
9	512474D1	1	LADDER ASM-ENTRANCE	SEE PAGE 11-2

LADDER ASM-ENTRANCE

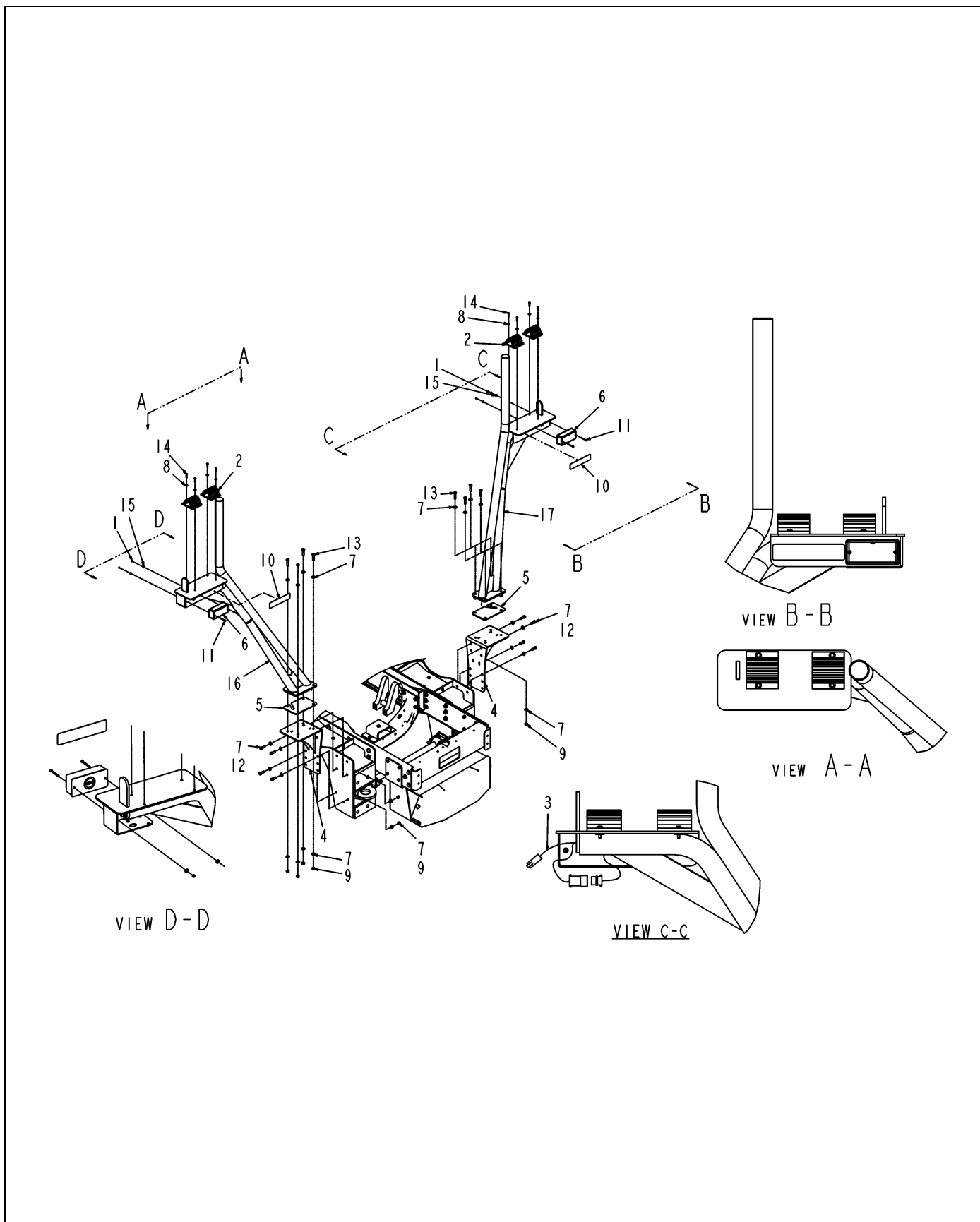


512474D1-01-N308-.TIF

LADDER ASM-ENTRANCE

ITEM	PART #	QTY	DESCRIPTION	COMMENTS
1	AG130450	5	STEP-ENTRANCE,STAMPED,STEEL	
2	AG132277	1	STRINGER-LADDER,UPPER,RH	
3	AG132278	1	STRINGER-LADDER,UPPER,LH	
4	AG132280	1	STRINGER WLDMT-LADDER,LWR,LH	
5	AG132281	1	STRINGER WLDMT-LADDER,LWR,RH	
6	AG132283	1	BRACKET-LADDER SUPPORT	
7	AG262883	2	SPACER-UPPER,LADDER	
8	AG514559	2	WASHER 0.37 FL ZN SAE TYP-A G8	
9	AG519802	1	BUMPER, RUBBER VIBRATION	
10	AG520929	2	HANDLE-TUBULAR	
11	AG521342	2	BOLT-.38-16X.50DX.50,S,SH	
12	AG522562	28	NUT-.38-16,SS,SFLG,H	
13	AG522572	2	BOLT-.38-16X1.50,SS,CRG	
14	AG551007	4	WASHER 0.37 FL ZN REG TYPE-B	
15	AG551015	1	WASHER 0.31 FL ZN REG TYPE-B	
16	AG557676	2	NUT 0.37-16NC HEX ZN C-LK	
17	AG562013	2	BOLT 0.37-16NCX 3.25 G8 ZN HHD	
18	AG562048	4	BOLT 0.37-16NCX 1.00 S.S. HHD	
19	AG601411	2	NUT 0.37-16NC HEX ZN REG NY	
20	AG601888	1	NUT 0.31-18NC HEX ZN REG NY	
21	AG609084	22	BOLT 0.37-16NCX 1.00 SS CRG	
22	512475D1	1	CYLINDER ASM-HYD,LADDER	SEE PAGE 5-6

BOOMREST INSTL

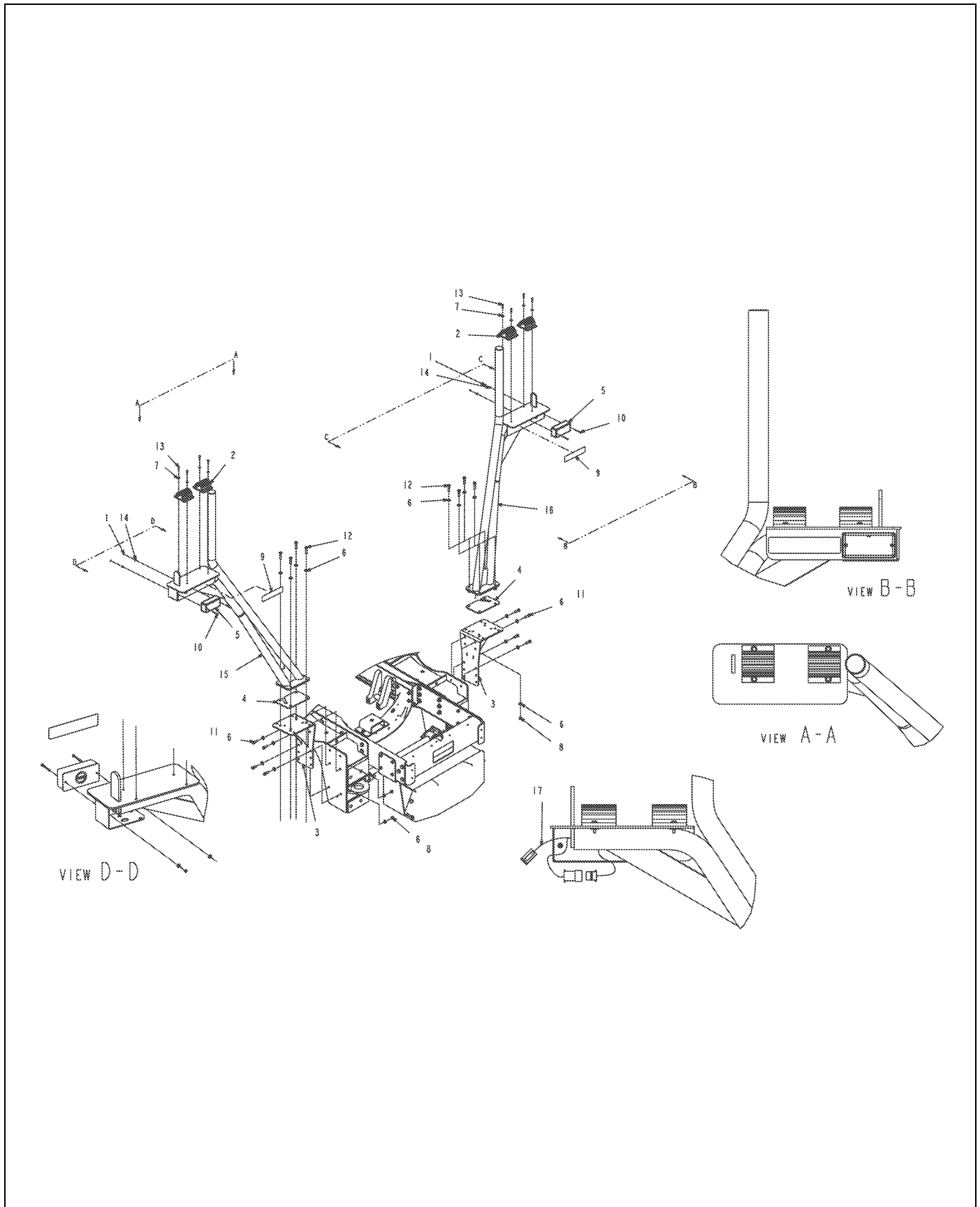


503537D1-02-M895-.TIF

BOOMREST INSTL

ITEM	PART #	QTY	DESCRIPTION	COMMENTS
1	AG027274	4	NUT #10-24NC HEX SS REG NY	
2	AG109953	4	BUMPER-BOOM RACK	
3	AG123077	2	HARNES-BOOMREST	
4	AG123213	2	BRKT WLDMT-BOOMREST MTG,1264	
5	AG262556	2	PLATE-SPACER,BOOMREST	
6	AG327247	2	LAMP-WARNING,AMBER	SEE PAGE 10-22
7	AG514554	32	WASHER 0.50 FL ZN SAE TYP-A G8	
8	AG515121	8	WASHER 0.25 FL SS REG TYPE-B	
9	AG520614	16	NUT-.50-13,G8,ZN,HH,C-LK	
10	AG523590	2	REFLECTOR-YELLOW,2.0X9.0	
11	AG523814	4	SCR-10-24X2.25,PPH,SS	
12	AG559237	8	BOLT 0.50-13NCX 1.50 G8 ZN HHD	
13	AG561665	8	BOLT 0.50-13NCX 2.00 G8 ZN HHD	
14	AG561952	8	BOLT 0.25-20NCX 1.25 SS HHD	
15	AG562082	4	WASHER #10 FL SS REG TYPE-B	
16	506465D1	1	BOOMREST WLDMT-RH	
17	506466D1	1	BOOMREST WLDMT-LH	

BOOM REST INSTL

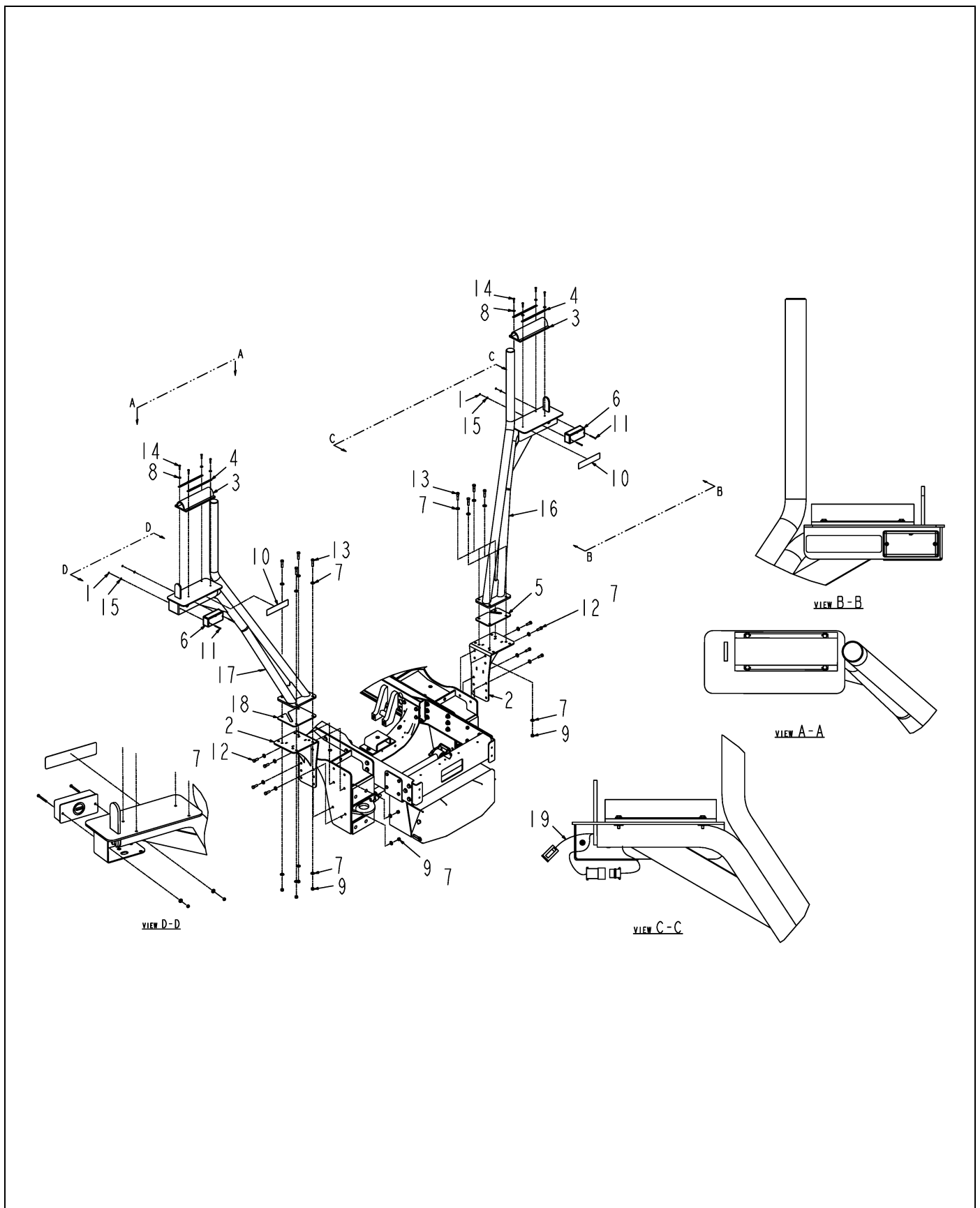


516803D1-01-N770-.TIF

BOOM REST INSTL

ITEM	PART #	QTY	DESCRIPTION	COMMENTS
1	AG027274	4	NUT #10-24NC HEX SS REG NY	
2	AG109953	4	BUMPER-BOOM RACK	
3	AG123213	2	BRKT WLDMT-BOOMREST MTG,1264	
4	AG262556	2	PLATE-SPACER,BOOMREST	
5	AG327247	2	LAMP-WARNING,AMBER	SEE PAGE 10-22
6	AG514554	32	WASHER 0.50 FL ZN SAE TYP-A G8	
7	AG515121	8	WASHER 0.25 FL SS REG TYPE-B	
8	AG520614	16	NUT-.50-13,G8,ZN,HH,C-LK	
9	AG523590	2	REFLECTOR-YELLOW,2.0X9.0	
10	AG523814	4	SCR-10-24X2.25,PPH,SS	
11	AG559237	8	BOLT 0.50-13NCX 1.50 G8 ZN HHD	
12	AG561665	8	BOLT 0.50-13NCX 2.00 G8 ZN HHD	
13	AG561952	8	BOLT 0.25-20NCX 1.25 SS HHD	
14	AG562082	4	WASHER #10 FL SS REG TYPE-B	
15	506465D1	1	BOOMREST WLDMT-RH	
16	506466D1	1	BOOMREST WLDMT-LH	
17	516815D1	2	HARNES-BOOM REST	
	FOOTNOTE		Effective S/N (Txx1001) and up.	

BOOMREST INSTL-RH OFS, 12X4/SS

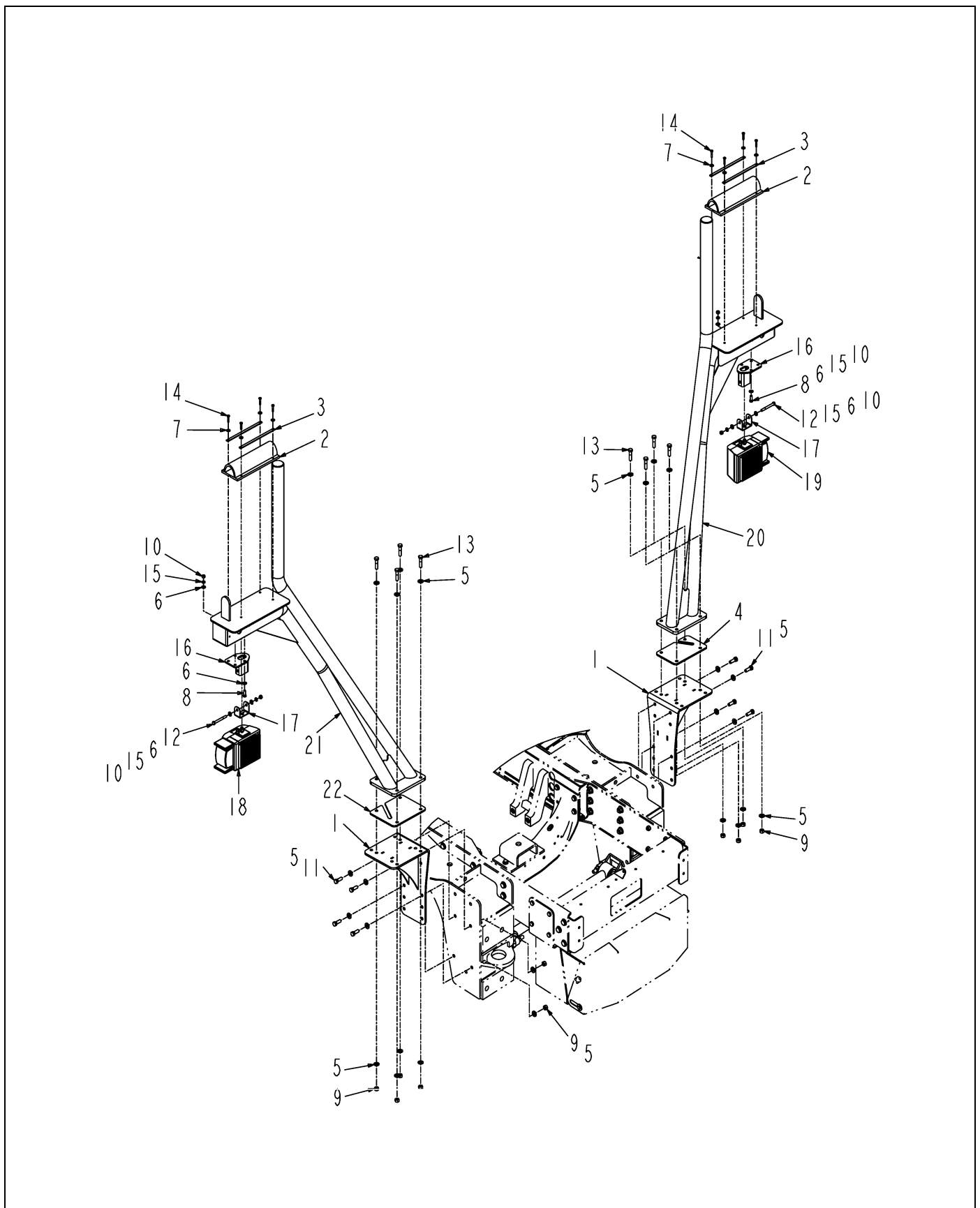


516812D1-01-N770-.TIF

BOOMREST INSTL-RH OFS, 12X4/SS

ITEM	PART #	QTY	DESCRIPTION	COMMENTS
1	AG027274	4	NUT #10-24NC HEX SS REG NY	
2	AG123213	2	BRKT WLDMT-BOOMREST MTG,1264	
3	WR136831	2	BUMPER-12.25,BOOM REST	
4	WR136832	4	STRAP-RETAINER,BUMPER	
5	AG262556	2	PLATE-SPACER,BOOMREST	
6	AG327247	2	LAMP-WARNING,AMBER	SEE PAGE 10-22
7	AG514554	32	WASHER 0.50 FL ZN SAE TYP-A G8	
8	AG515121	8	WASHER 0.25 FL SS REG TYPE-B	
9	AG520614	16	NUT-.50-13,G8,ZN,HH,C-LK	
10	AG523590	2	REFLECTOR-YELLOW,2.0X9.0	
11	AG523814	4	SCR-10-24X2.25,PPH,SS	
12	AG559237	8	BOLT 0.50-13NCX 1.50 G8 ZN HHD	
13	AG561665	8	BOLT 0.50-13NCX 2.00 G8 ZN HHD	
14	AG561952	8	BOLT 0.25-20NCX 1.25 SS HHD	
15	AG562082	4	WASHER #10 FL SS REG TYPE-B	
16	506466D1	1	BOOMREST WLDMT-LH	
17	513328D1	1	BOOMREST WLDMT-OFS,RH	
18	513329D1	1	PLATE-SPACER,BOOMREST,OFS	
19	516815D1	2	HARNES-BOOM REST	

BOOMREST INSTL-NON DOM,12X4/SS

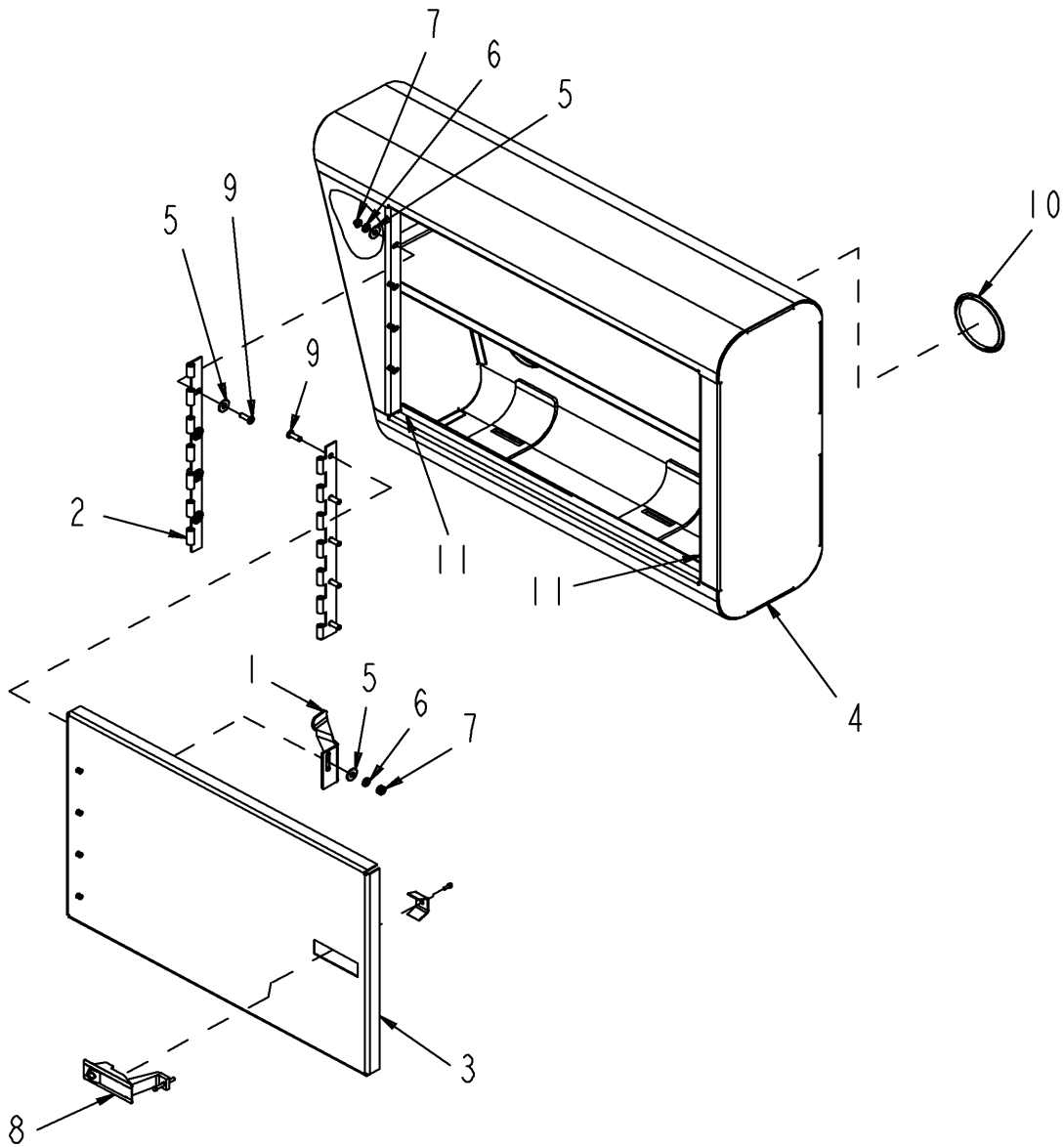


513330D1-01-N673-.TIF

BOOMREST INSTL-NON DOM,12X4/SS

ITEM	PART #	QTY	DESCRIPTION	COMMENTS
1	AG109906	1	CAP-END,RND,2.25X12GA	
2	AG123194	1	TUBE-BOOMREST,OUTER,RH	
3	AG123196	1	GUSSET-SUPPORT,BOOMREST,RH	
4	AG123198	1	GUSSET-BOOMREST,RH	
5	AG262518	1	PLATE-BOOMREST,STOP	
6	AG327954	1	PLATE-BUMPER,MTG	
7	AG424432	1	PLATE-MTG,LIGHT,RH	
8	AG607298	4	NUT WELD .25-20NC	
9	506463D1	1	TUBE-BOOMREST,INNER,RH	
10	513327D1	1	PLATE-BOOMREST,BOTTOM,OFS	

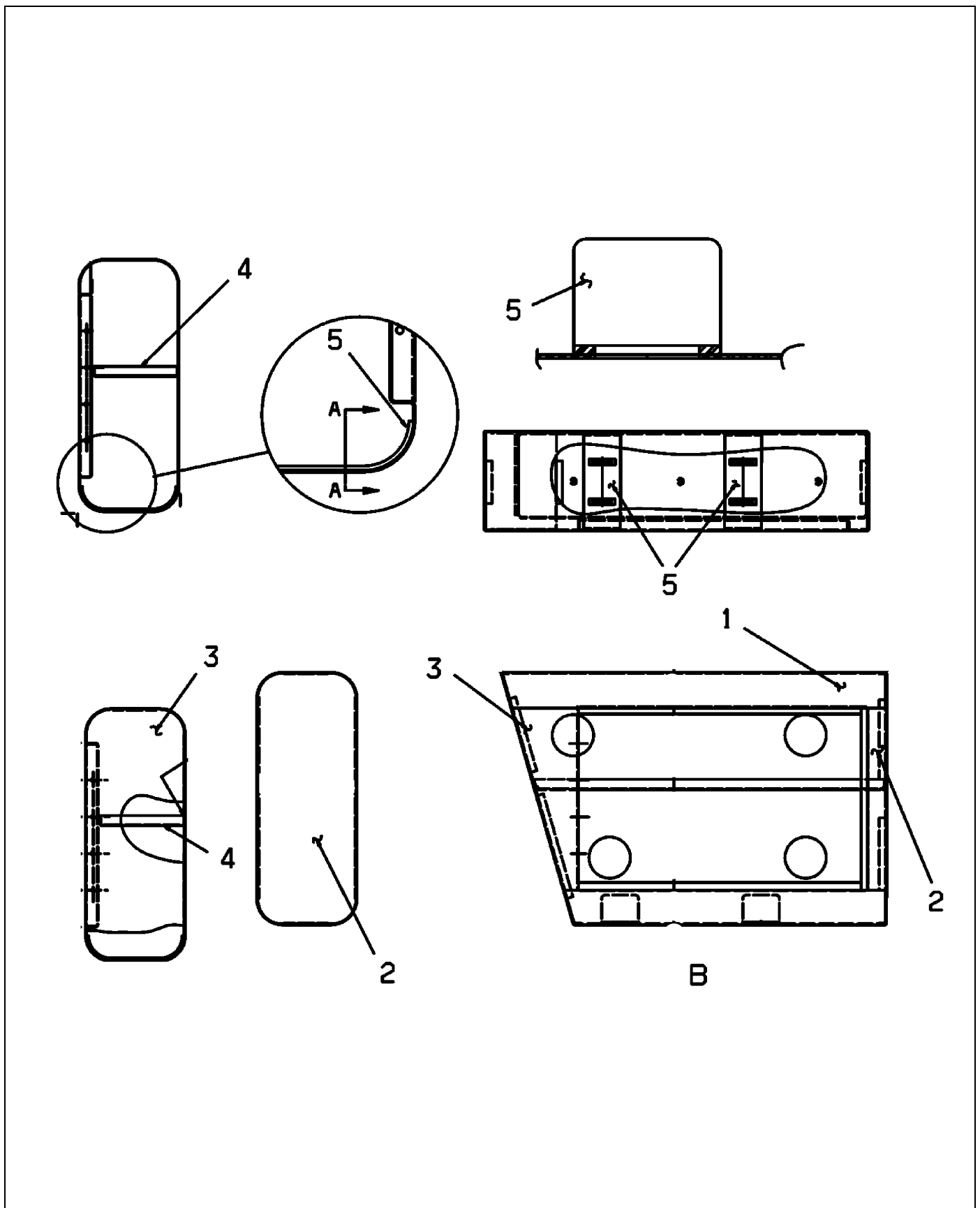
CABINET ASM-TOOL BOX,LH



325049-06-N729-.TIF

CABINET ASM-TOOL BOX,LH

ITEM	PART #	QTY	DESCRIPTION	COMMENTS
0	AG844463	-	DOOR KEY (605666)	
1	AG260223	1	PLATE-DOOR STOP,LEFT	
2	AG324178	1	HINGE-PRESSURE WASHER	
3	AG421609	1	COVER-CABINET,PRESSURE WASHER	
4	AG502783	1	CABINET-TOOL,LH	SEE PAGE 11-8
5	AG515121	13	WASHER 0.25 FL SS REG TYPE-B	
6	AG515122	9	WASHER 0.25 LK SS REG	
7	AG515123	9	NUT 0.25-20NC HEX SS REG	
8	AG519481	1	LATCH LEVER ADJUSTABLE	
9	AG521048	9	SCR-.25-20NCX.75,SS,BTN HD,SKT	
10	AG522742	4	PLUG-BLK,HOLE,3.375,POLY	
11	AG607312	-	INSL SELF ADHES 0.12THKX0.50WD [BULK: 5 FT]	

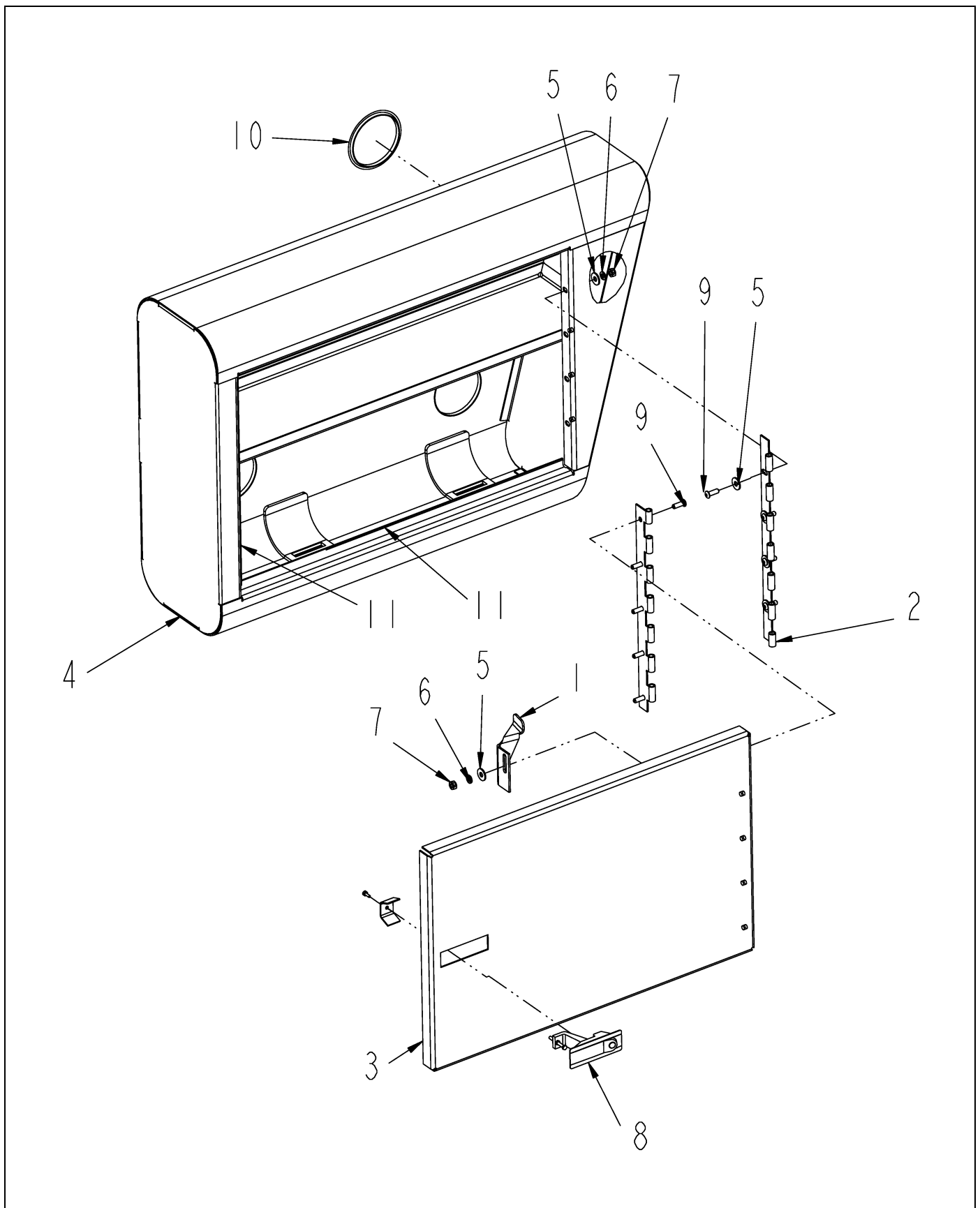


502783-K.tif

CABINET-TOOL,LH

ITEM	PART #	QTY	DESCRIPTION	COMMENTS
1	AG260944	2	CABINET-STRIP,REINFORCING	
2	AG326571	1	CABINET-END	
3	AG326572	1	CABINET-SHELF	
4	AG326573	1	CABINET-SHELL,LH	
5	AG503689	1	CABINET-SHELL,LH	

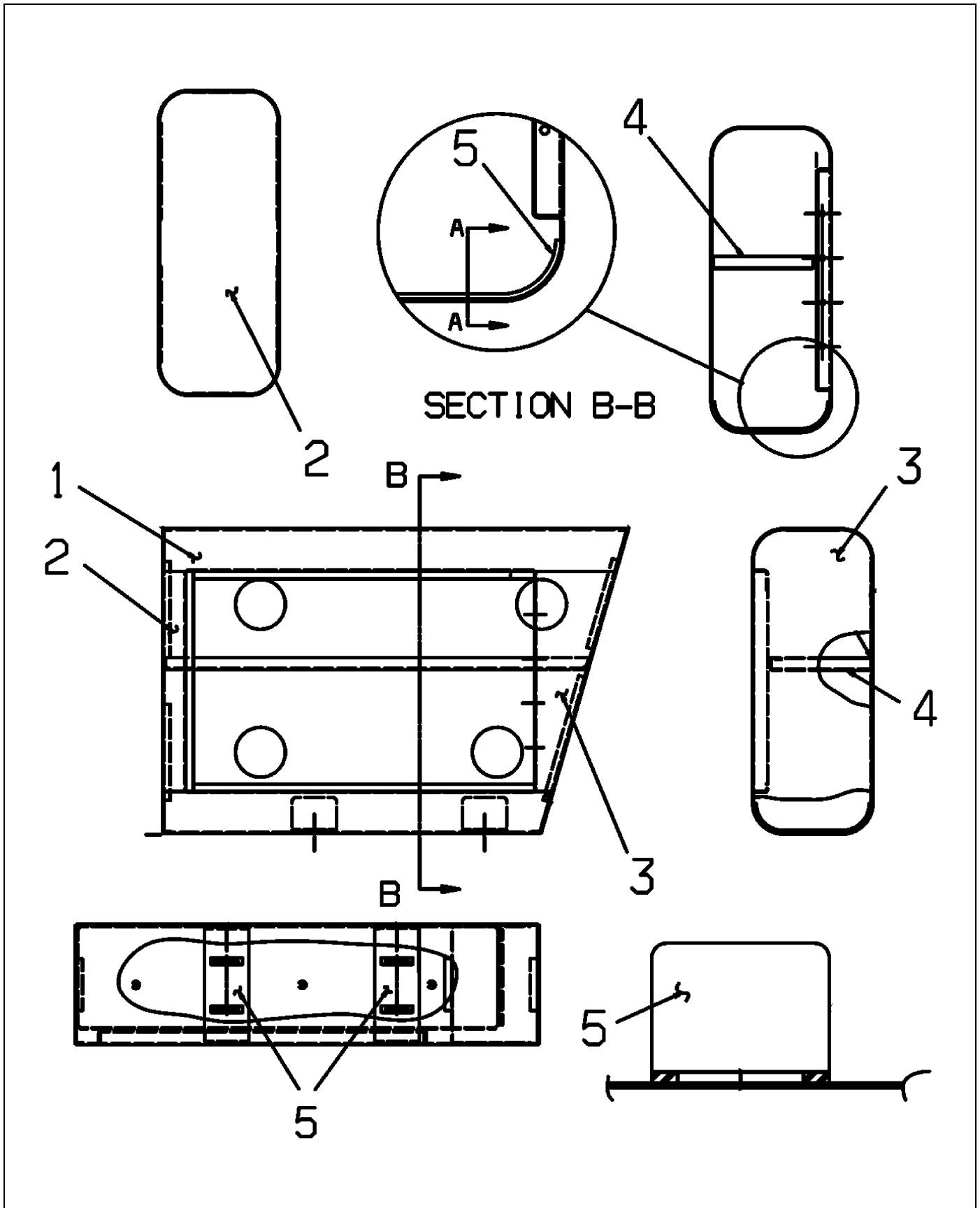
CABINET ASM-TOOL BOX,RH



325050-07-N729-.TIF

CABINET ASM-TOOL BOX,RH

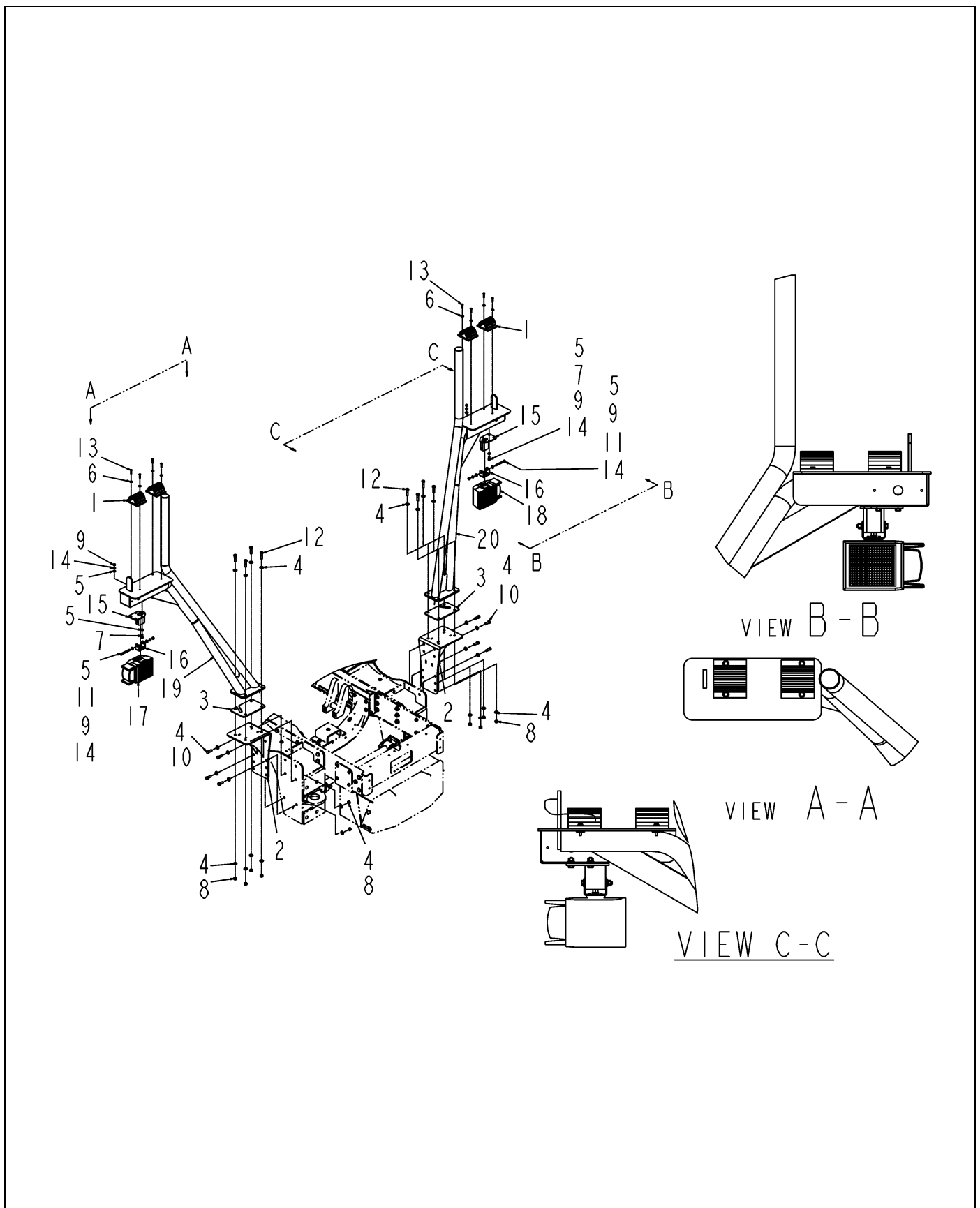
ITEM	PART #	QTY	DESCRIPTION	COMMENTS
1	AG260222	1	PLATE-DOOR STOP,RIGHT	
2	AG324178	1	HINGE-PRESSURE WASHER	
3	AG421609	1	COVER-CABINET,PRESSURE WASHER	
4	AG502782	1	CABINET-TOOL,RH	SEE PAGE 11-10
5	AG515121	13	WASHER 0.25 FL SS REG TYPE-B	
6	AG515122	9	WASHER 0.25 LK SS REG	
7	AG515123	9	NUT 0.25-20NC HEX SS REG	
8	AG519481	1	LATCH LEVER ADJUSTABLE	
8	AG844463	1	DOOR KEY (605666)	
9	AG521048	9	SCR-.25-20NCX.75,SS,BTN HD,SKT	
10	AG522742	4	PLUG-BLK,HOLE,3.375,POLY	
11	AG607312	-	INSL SELF ADHES 0.12THKX0.50WD [BULK: 5 FT]	



502782-L.tif

CABINET-TOOL,RH

ITEM	PART #	QTY	DESCRIPTION	COMMENTS
1	AG260944	2	CABINET-STRIP,REINFORCING	
2	AG326570	1	CABINET-END,ANGLED,RH	
3	AG326571	1	CABINET-END	
4	AG326572	1	CABINET-SHELF	
5	AG503688	1	CABINET-SHELL,RH	

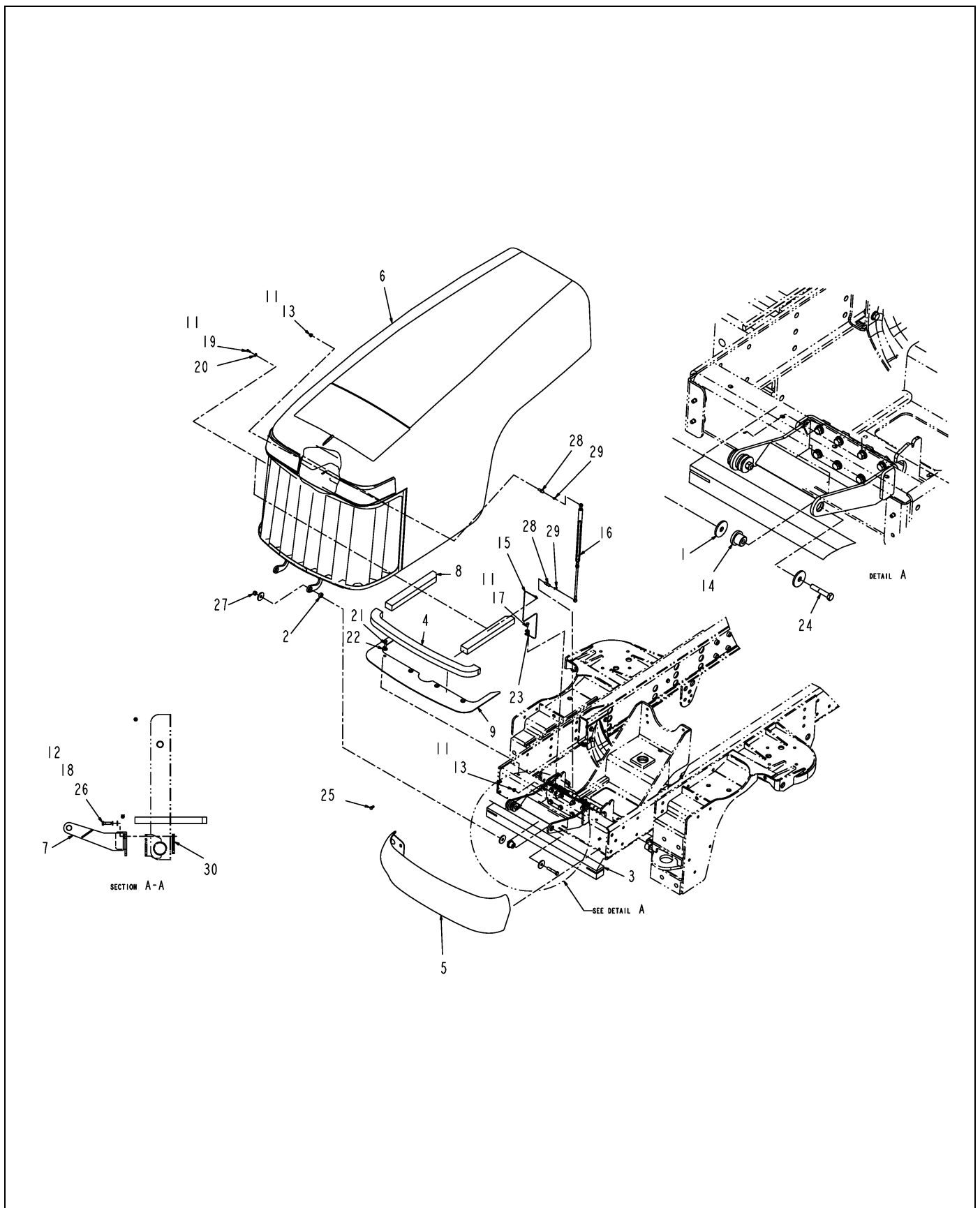


506034D1-03-M895-.TIF

NON-DOMESTIC GROUP,12XX

ITEM	PART #	QTY	DESCRIPTION	COMMENTS
1	AG109953	4	BUMPER-BOOM RACK	
2	AG123213	2	BRKT WLDMT-BOOMREST MTG,1264	
3	AG262556	2	PLATE-SPACER,BOOMREST	
4	AG514554	32	WASHER 0.50 FL ZN SAE TYP-A G8	
5	AG514559	16	WASHER 0.37 FL ZN SAE TYP-A G8	
6	AG515121	8	WASHER 0.25 FL SS REG TYPE-B	
7	AG518500	6	BOLT 0.37-16NCX 1.00 G8 ZN HHD	
8	AG520614	16	NUT-.50-13,G8,ZN,HH,C-LK	
9	AG523259	8	NUT-.37-16,G8,ZN,H	
10	AG559237	8	BOLT 0.50-13NCX 1.50 G8 ZN HHD	
11	AG560456	2	BOLT 0.37-16NCX 3.50 G8 ZN HHD	
12	AG561665	8	BOLT 0.50-13NCX 2.00 G8 ZN HHD	
13	AG561952	8	BOLT 0.25-20NCX 1.25 SS HHD	
14	AG562050	8	WASHER 0.37 LK SS REG	
15	505366D1	2	WLDMT-TUV,LIGHT,MTG	
16	505369D1	2	PLATE-LIGHT,ATTACH	
17	505698D1	1	ASM-HEADLIGHT,ELEC,LH	SEE PAGE 10-23
18	505699D1	1	ASM-HEADLIGHT,ELEC,RH	SEE PAGE 10-24
19	506465D1	1	BOOMREST WLDMT-RH	
20	506466D1	1	BOOMREST WLDMT-LH	

HOOD/BUMPER INSTL

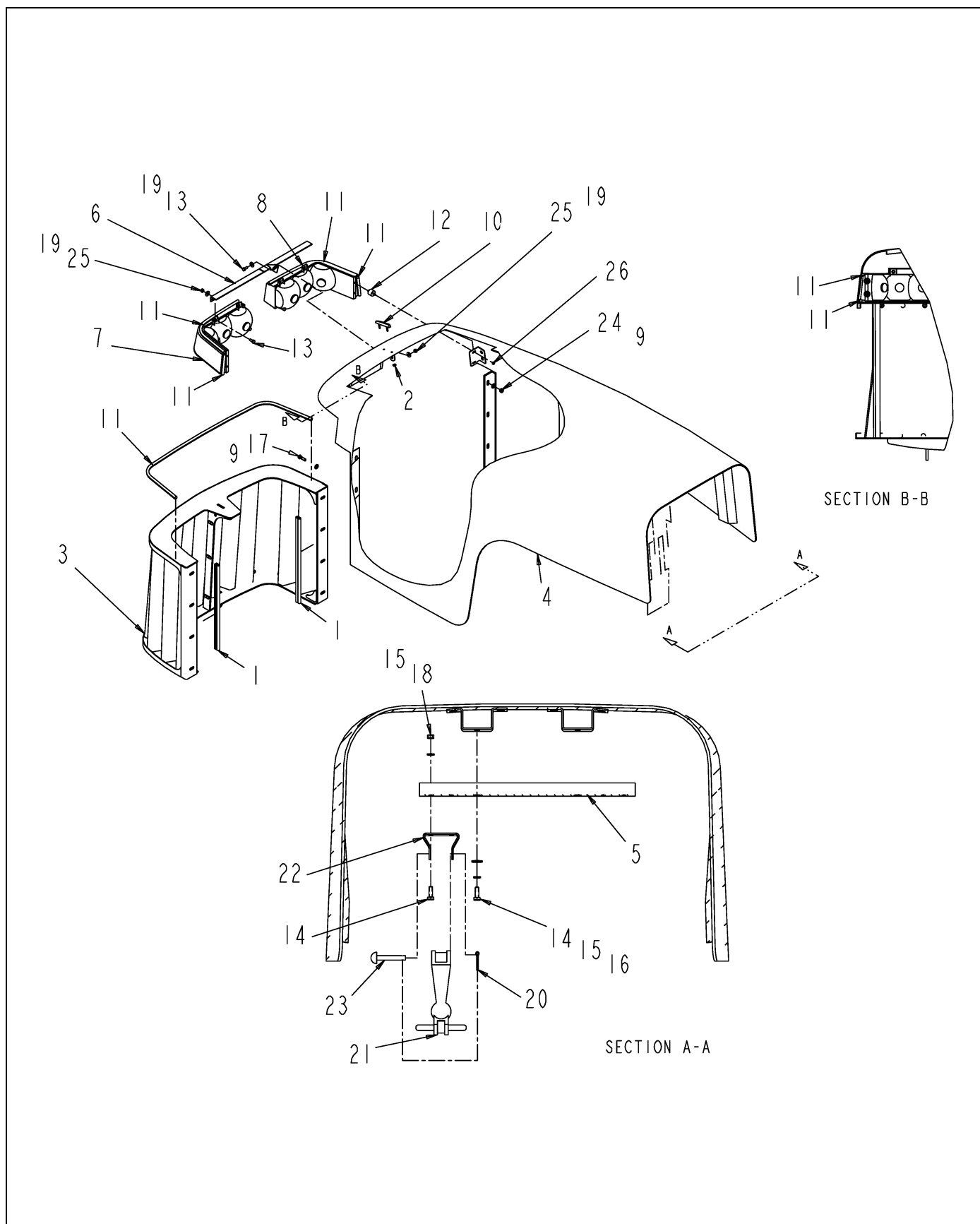


126408-08-N354-.TIF

HOOD/BUMPER INSTL

ITEM	PART #	QTY	DESCRIPTION	COMMENTS
1	AG109445	6	WASHER-SHOCK MOUNT	
2	AG120283	2	BUSHING-HOOD HINGE	
3	AG121906	1	BARRIER-RECIRC,FRONT,FOAM	
4	AG121910	1	BARRIER-RECIRC,HOOD	
5	AG122221	1	COVER-BUMPER,MOLDED,SHORT	
6	AG126409	1	HOOD/GRILLE ASM	SEE PAGE 11-13
7	AG126411	1	WLDMT-HOOD MOUNT	
8	AG127719	2	BARRIER-RECIRC,GRILLE BOTTOM	
9	AG130446	1	PLATE,RECIRC AIR BLOCK	
10	AG512346	AR	3M 1300 YELLOW ADHESIVE (GAL)	
11	AG512885	AR	LOCTITE ADHESIVE SEALANT BLUE	
12	AG514554	8	WASHER 0.50 FL ZN SAE TYP-A G8	
13	AG518511	2	NUT FLANGE .38-24 UNF	
14	AG519742	2	MOUNT-CENTER BONDED	
15	AG521657	1	TETHER-HOOD,.06DIAX26.50,SS	
16	AG522406	1	SPRING-GAS,250LB,10.00 STROKE	
17	AG550183	1	BOLT 0.31-18NCX 0.75 G5 ZN HHD	
18	AG550264	8	WASHER 0.50 LK ZN REG	
19	AG550485	1	BOLT 0.25-20NCX 0.75 G5 ZN HHD	
20	AG550507	1	WASHER 0.25 FL ZN REG TYPE-B	
21	AG550779	4	BOLT 0.37-16NCX 1.50 G5 ZN HHD	
22	AG551007	4	WASHER 0.37 FL ZN REG TYPE-B	
23	AG551015	1	WASHER 0.31 FL ZN REG TYPE-B	
24	AG551392	2	BOLT 0.50-13NCX 2.75 G5 ZN HHD	
25	AG551503	4	BOLT 0.37-16NCX 0.75 G5 ZN HHD	
26	AG553956	8	BOLT 0.50-13NCX 1.75 G5 ZN HHD	
27	AG601152	2	NUT 0.50-13NC HEX ZN REG NY	
28	6586162	2	BALL STUD	
29	6646598	2	CLIP-STUD	
30	504443D1	4	PLATE-MOUNT,HOOD	

HOOD/GRILLE ASM

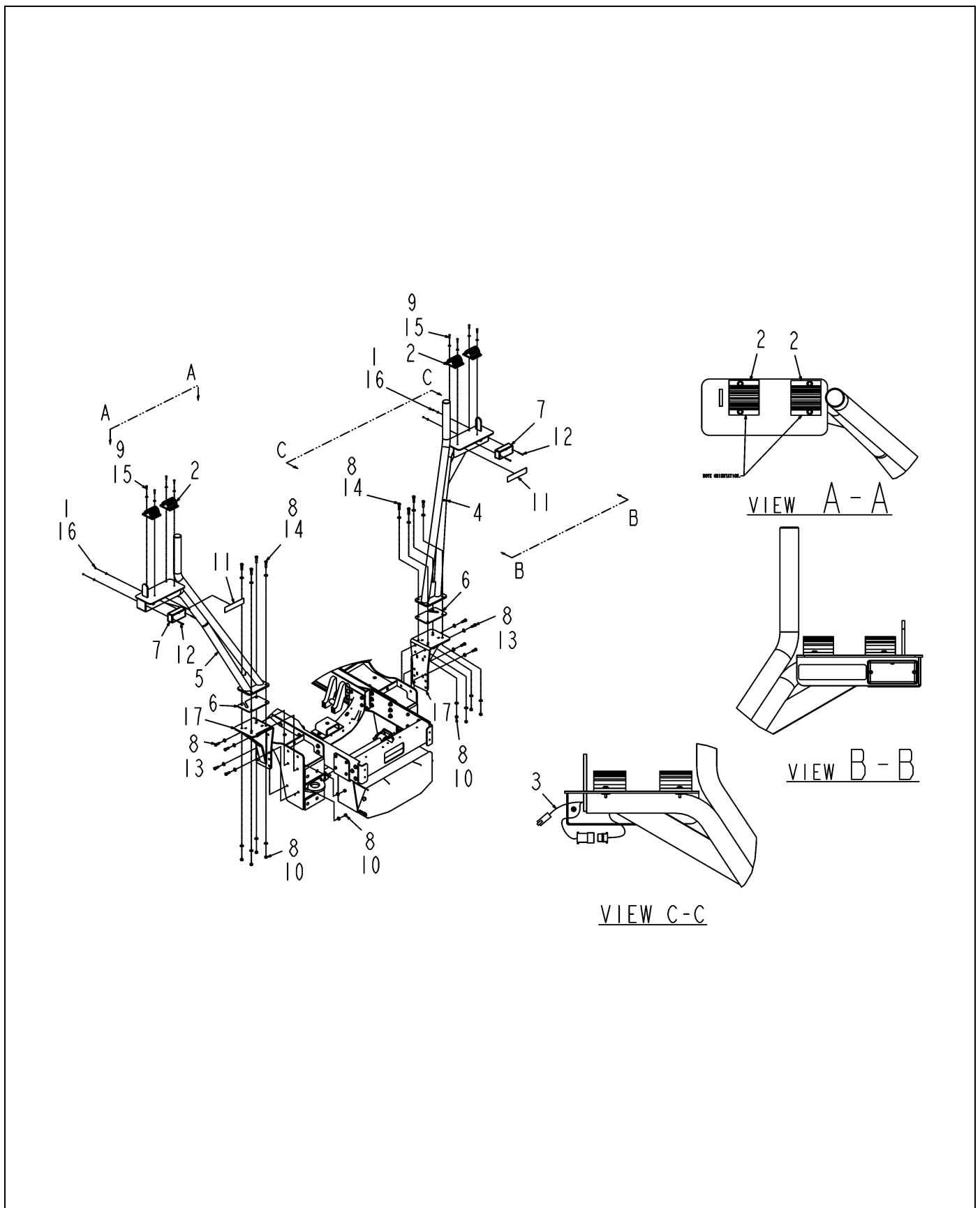


126409-03-N971-.TIF

HOOD/GRILLE ASM

ITEM	PART #	QTY	DESCRIPTION	COMMENTS
1	WR36036	-	SEAL-BULB,90 DEG, 1/4CLIP [BULK: 3 FT]	
2	AG123817	2	NUT-M5 PALNUT, SELF TAP	
3	AG126410	1	GRILLE WLDMT	
4	AG130151	1	HOOD-ENGINE,ROGATOR	
5	AG260905	1	CHANNEL-TIEDOWN,HOOD	
6	AG262234	1	PIVOT WLDMT-ADJUST,HEADLIGHT	
7	AG327683	1	HEADLIGHT-HALOGEN,WRAPPING,LH	[A]
8	AG327684	1	HEADLIGHT-HALOGEN,WRAPPING,RH	[B]
9	AG514559	16	WASHER 0.37 FL ZN SAE TYP-A G8	
10	AG521283	1	SIGHT-HOOD	
11	AG521420	-	SEAL-RUBBER [BULK: 7.834 FT]	
12	AG523877	4	MOUNT-STUD,CYLINDRICAL,M6-1.00	
13	AG550183	5	BOLT 0.31-18NCX 0.75 G5 ZN HHD	
14	AG550485	6	BOLT 0.25-20NCX 0.75 G5 ZN HHD	
15	AG550493	6	WASHER 0.25 LK ZN REG	
16	AG550507	2	WASHER 0.25 FL ZN REG TYPE-B	
17	AG550515	8	BOLT 0.37-16NCX 1.25 G5 ZN HHD	
18	AG550612	4	NUT 0.25-20NC HEX ZN REG	
19	AG551015	6	WASHER 0.31 FL ZN REG TYPE-B	
20	AG554855	2	PIN COTTER 0.12X1.00 ZN	
21	AG600008	2	HOOK RUBBER 510327 (P)	
22	AG600024	2	BRACKET ANCHOR 510327 (P)	
23	AG601225	2	PIN ANCHOR 510327 W/O CTKEY(P)	
24	AG601411	8	NUT 0.37-16NC HEX ZN REG NY	
25	AG601888	5	NUT 0.31-18NC HEX ZN REG NY	
26	AG713398	4	LOCK NUT M6	
	FOOTNOTE [A]		FOR REPLACEMENT BULB USE AG523906	
	FOOTNOTE [B]		FOR REPLACEMENT BULB USE AG523906	

BOOMREST INSTL-120"BM,12X4

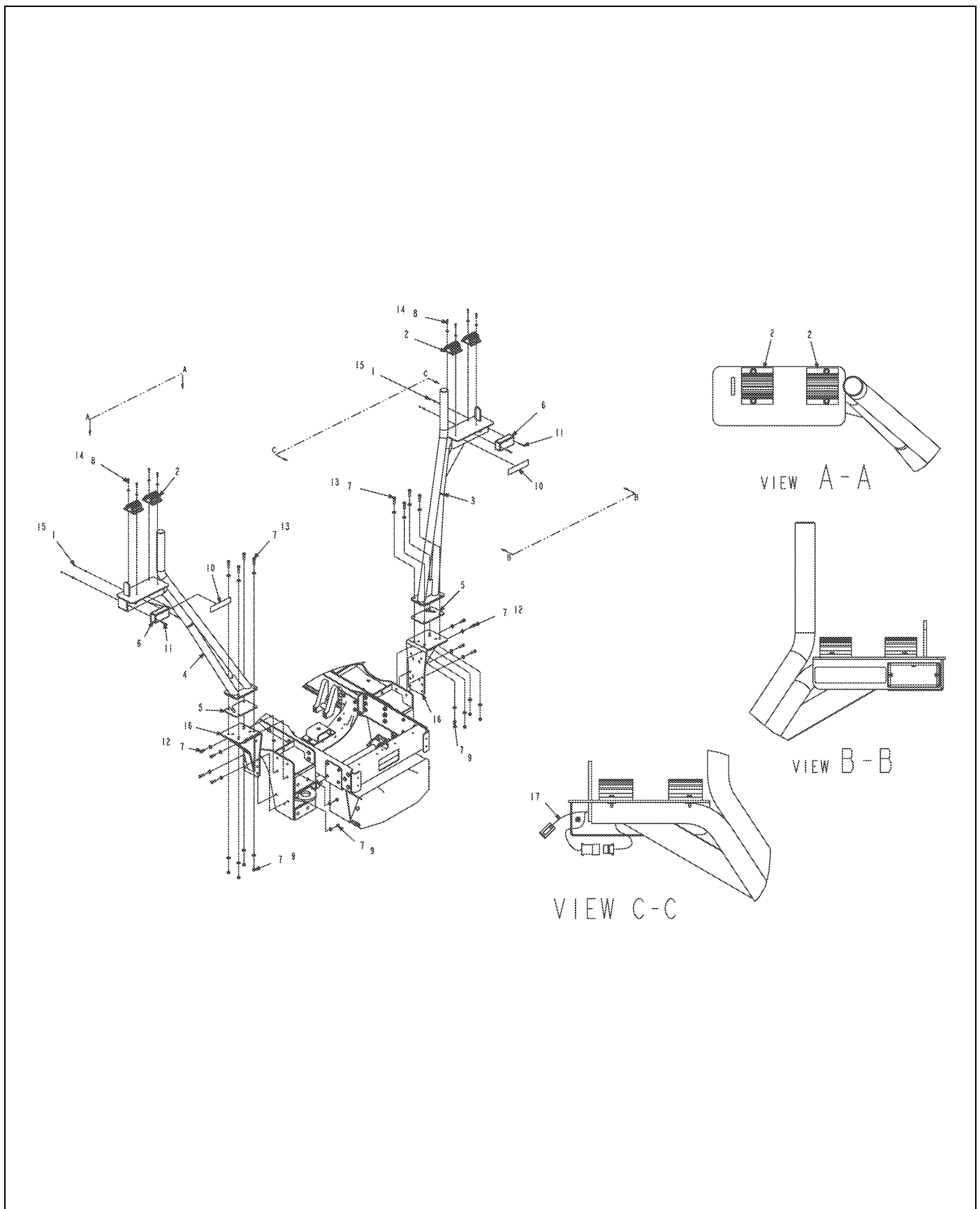


506684D1-01-M919-.TIF

BOOMREST INSTL-120"BM,12X4

ITEM	PART #	QTY	DESCRIPTION	COMMENTS
1	AG027274	4	NUT #10-24NC HEX SS REG NY	
2	AG109953	4	BUMPER-BOOM RACK	
3	AG123077	2	HARNES-BOOMREST	
4	AG123189	1	BOOMREST WLDMT-LH	
5	AG123190	1	BOOMREST WLDMT-RH	
6	AG262556	2	PLATE-SPACER,BOOMREST	
7	AG327247	2	LAMP-WARNING,AMBER	SEE PAGE 10-22
8	AG514554	32	WASHER 0.50 FL ZN SAE TYP-A G8	
9	AG515121	8	WASHER 0.25 FL SS REG TYPE-B	
10	AG520614	16	NUT-.50-13,G8,ZN,HH,C-LK	
11	AG523590	2	REFLECTOR-YELLOW,2.0X9.0	
12	AG523814	4	SCR-10-24X2.25,PPH,SS	
13	AG559237	8	BOLT 0.50-13NCX 1.50 G8 ZN HHD	
14	AG561665	8	BOLT 0.50-13NCX 2.00 G8 ZN HHD	
15	AG561952	8	BOLT 0.25-20NCX 1.25 SS HHD	
16	AG562082	4	WASHER #10 FL SS REG TYPE-B	
17	506686D1	2	BRKT WLDMT-MTG,BOOMREST,12X4	

BOOMREST INSTL-120" BM,12X

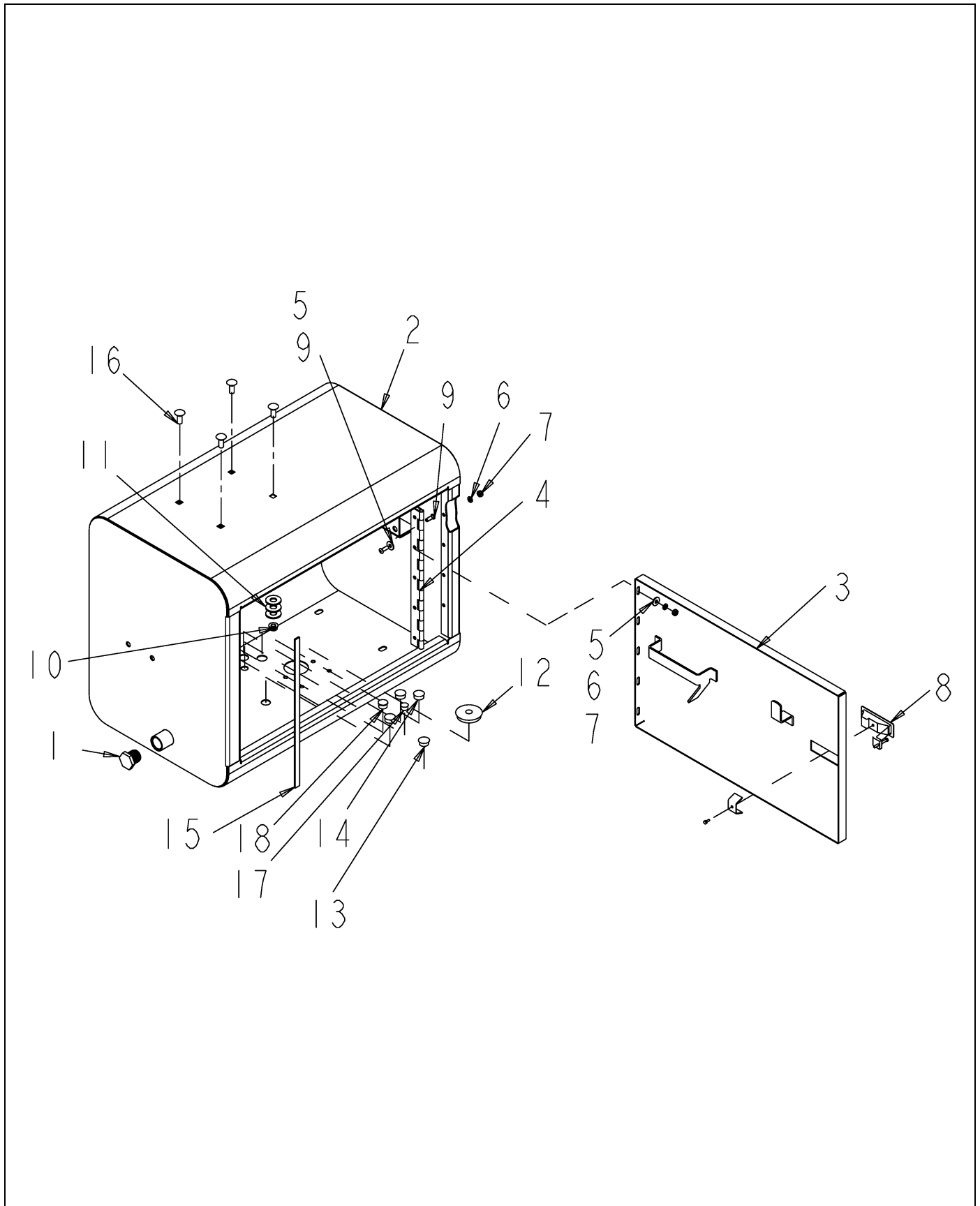


516807D1-01-N770-.TIF

BOOMREST INSTL-120" BM,12X

ITEM	PART #	QTY	DESCRIPTION	COMMENTS
1	AG027274	4	NUT #10-24NC HEX SS REG NY	
2	AG109953	4	BUMPER-BOOM RACK	
3	AG123189	1	BOOMREST WLDMT-LH	
4	AG123190	1	BOOMREST WLDMT-RH	
5	AG262556	2	PLATE-SPACER,BOOMREST	
6	AG327247	2	LAMP-WARNING,AMBER	SEE PAGE 10-22
7	AG514554	32	WASHER 0.50 FL ZN SAE TYP-A G8	
8	AG515121	8	WASHER 0.25 FL SS REG TYPE-B	
9	AG520614	16	NUT-.50-13,G8,ZN,HH,C-LK	
10	AG523590	2	REFLECTOR-YELLOW,2.0X9.0	
11	AG523814	4	SCR-10-24X2.25,PPH,SS	
12	AG559237	8	BOLT 0.50-13NCX 1.50 G8 ZN HHD	
13	AG561665	8	BOLT 0.50-13NCX 2.00 G8 ZN HHD	
14	AG561952	8	BOLT 0.25-20NCX 1.25 SS HHD	
15	AG562082	4	WASHER #10 FL SS REG TYPE-B	
16	506686D1	2	BRKT WLDMT-MTG,BOOMREST,12X4	
17	516815D1	2	HARNES-BOOM REST	

CABINET ASM

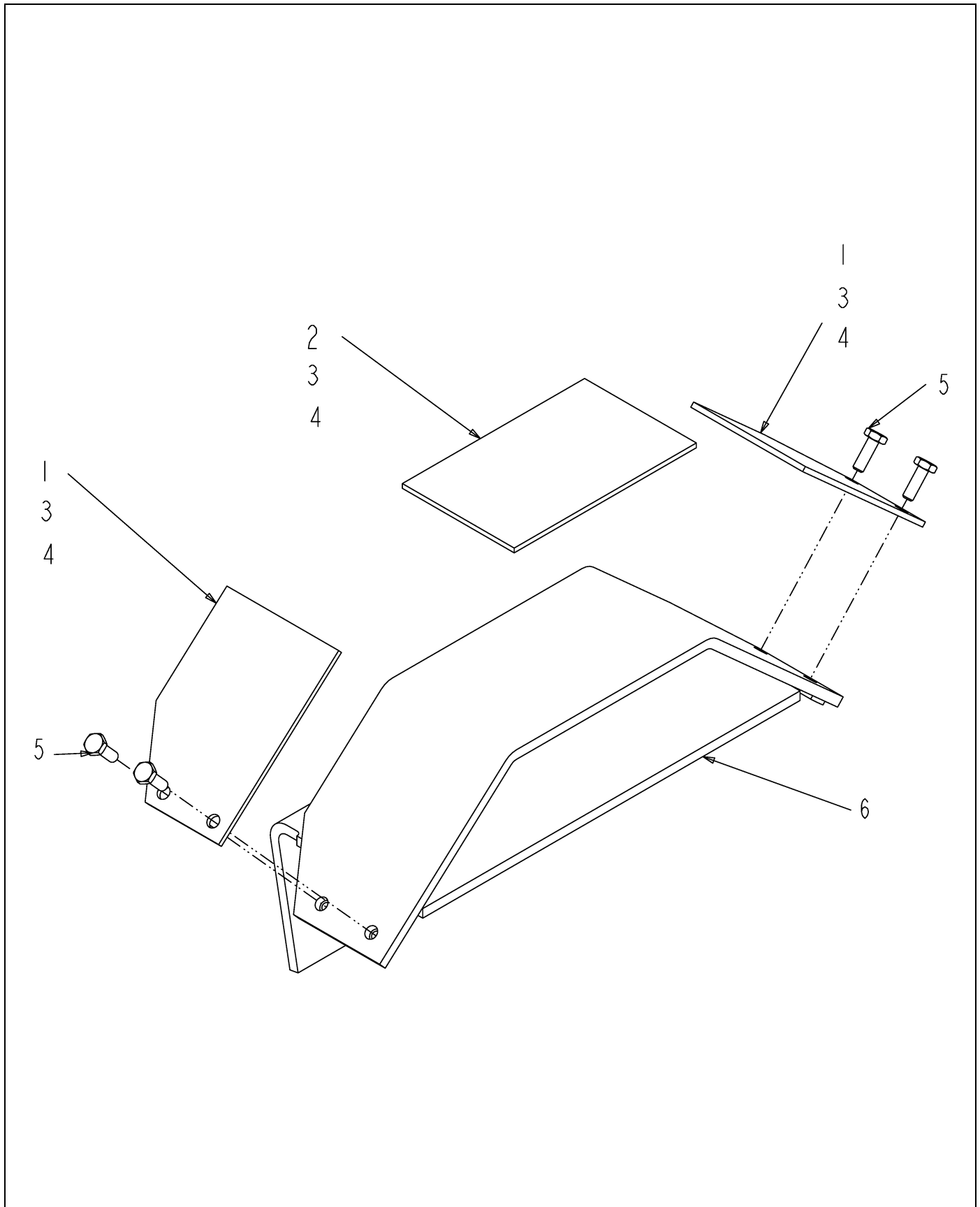


121586-06-R177-.TIF

CABINET ASM

ITEM	PART #	QTY	DESCRIPTION	COMMENTS
1	AG051134	1	PLUG-PIPE,HEX,0.75NPT,PP	
2	AG120755	1	CABINET WLDMT-WASHER,PRESS	
3	AG121136	1	COVER WLDMT-CABINET,P/W WAND	
4	AG324178	1	HINGE-PRESSURE WASHER	
5	AG515121	9	WASHER 0.25 FL SS REG TYPE-B	
6	AG515122	9	WASHER 0.25 LK SS REG	
7	AG515123	9	NUT 0.25-20NC HEX SS REG	
8	AG519481	1	LATCH LEVER ADJUSTABLE	
9	AG521048	9	SCR-.25-20NCX.75,SS,BTN HD,SKT	
10	AG522562	4	NUT-.38-16,SS,SFLG,H	
11	AG562046	12	WASHER 0.50 FL SS REG TYPE-B	
12	AG562388	1	PLUG BLACK 2.00 PLASTIC	
13	AG604416	1	PLUG BLK HOLE 0.75	
14	AG606730	3	PLUG BLK HOLE 0.81 PLASTIC	
15	AG607312	-	INSL SELF ADHES 0.12THKX0.50WD [BULK: 1.310 FT]	
16	AG609084	4	BOLT 0.37-16NCX 1.00 SS CRG	
17	AG609855	1	PLUG BLK .56 PLASTIC	
18	6513640	1	PLUG	

SUPPORT ASM-HOOD REAR



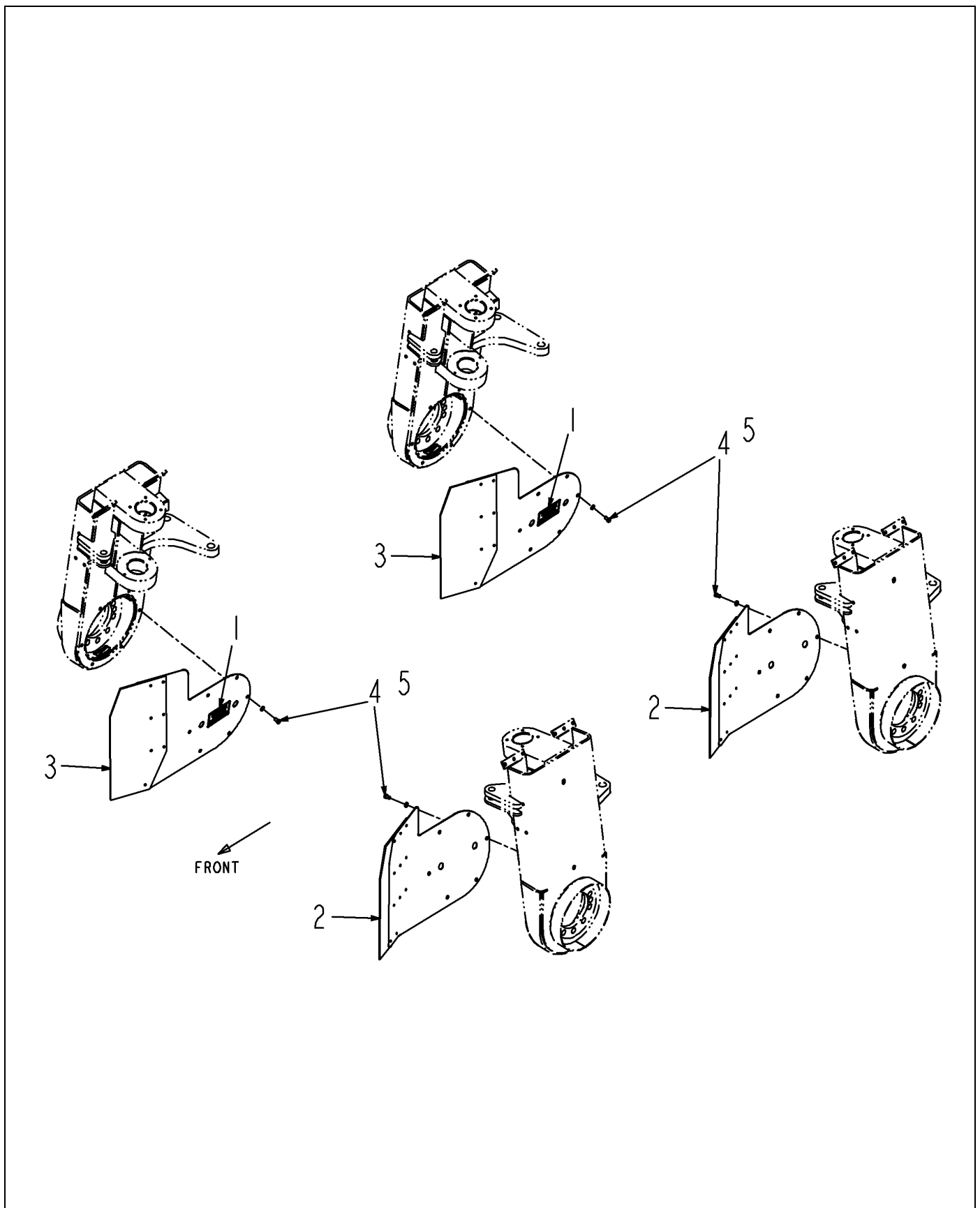
511487D1-01-N389.TIF

SUPPORT ASM-HOOD REAR

ITEM	PART #	QTY	DESCRIPTION	COMMENTS
1	AG261591	2	PLATE-WEAR,HOOD,SIDE	
2	AG261592	1	PLATE-WEAR,HOOD,TOP	
3	AG523200	AR	3M 94 1/2 PT TAPE PRIMER	
4	AG523201	-	TAPE-ADHESIVE,4.00,HIGH BOND [BULK: 1.330 FT]	
5	AG550485	4	BOLT 0.25-20NCX 0.75 G5 ZN HHD	
6	511486D1	1	SUPPORT WLDMT-HOOD,REAR	

DEFLECTOR INSTL-CROP	12-1
DEFLECTOR ASM-CROP,LH	12-2
DEFLECTOR ASM-CROP,RH	12-3
OPT-TIRE,TTN 380/90R46,168,R1S	12-4
RIM/TIRE ASM-380/90R46 R1S,LH	12-5
RIM/TIRE ASM-380/90R46 R1S,RH	12-6
OPT-TIRE,TTN 480/80R42,166A8/B	12-7
RIM/TIRE ASM-480/80R42,LH	12-8
RIM/TIRE ASM-480/80R42,RH	12-9
OPT-TIRE,TTN 24.5R32, 5ST	12-10
RIM/TIRE ASM-24.5-32,LH	12-11
RIM/TIRE ASM-24.5-32,RH	12-12
OPT-TIRE,GY 380/90R46,168,R1	12-13
RIM/TIRE ASM-380/90R46 R1,LH	12-14
RIM/TIRE ASM-380/90R46 R1,RH	12-15
PLATE INSTL-COVER,WHEEL LEG	12-16
HARDWARE INSTL-WHEEL	12-17

DEFLECTOR INSTL-CROP

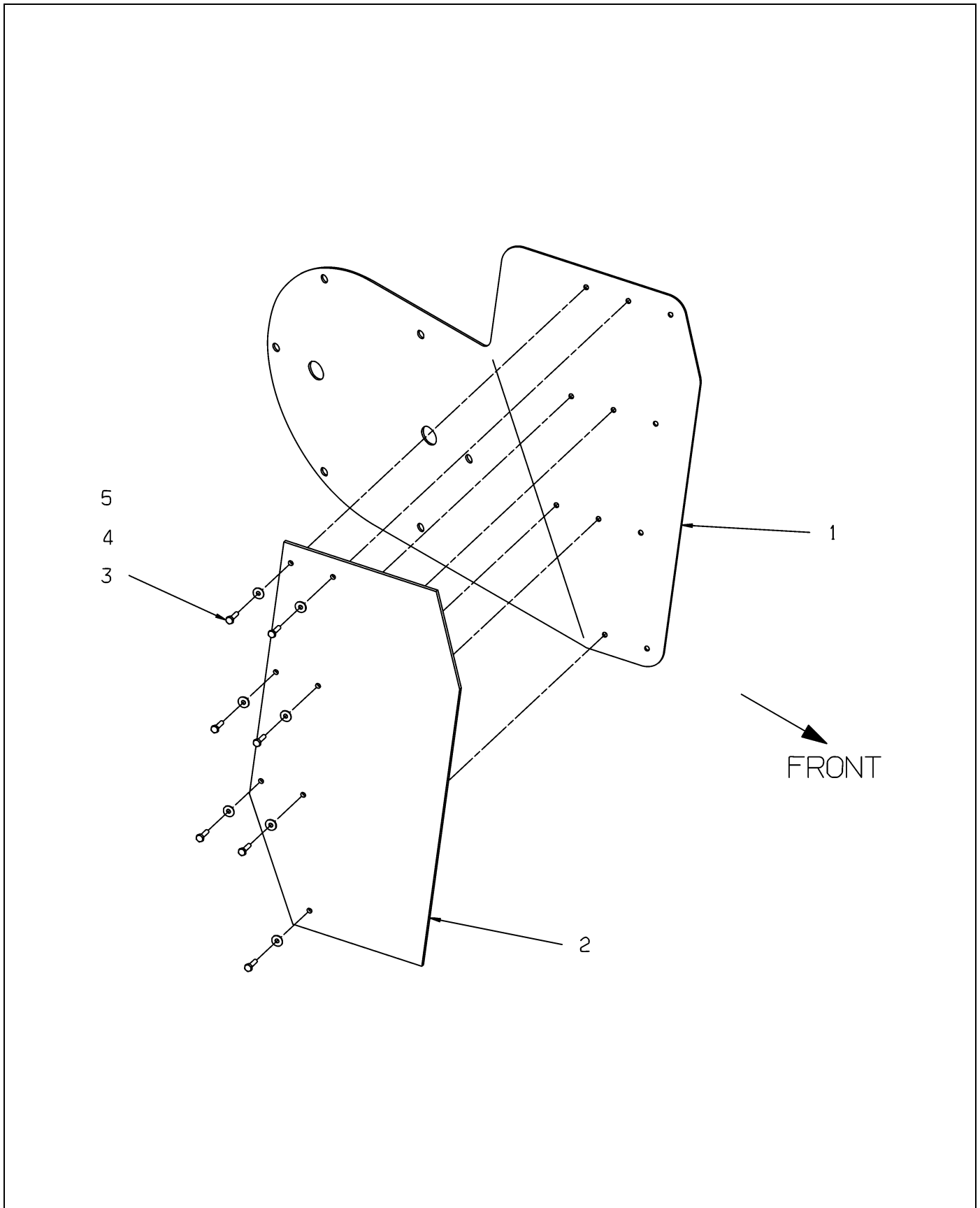


124709-B-M184-.TIF

DEFLECTOR INSTL-CROP

ITEM	PART #	QTY	DESCRIPTION	COMMENTS
1	AG133275	4	DECAL-GREASE,WHEEL MOTORS	
2	AG325649	2	DEFLECTOR ASM-CROP,LH	SEE PAGE 12-2
3	AG325650	2	DEFLECTOR ASM-CROP,RH	SEE PAGE 12-3
4	AG550167	24	BOLT 0.37-16NCX 0.62 G5 ZN HHD	
5	AG550191	24	WASHER 0.37 LK ZN REG	

DEFLECTOR ASM-CROP,LH

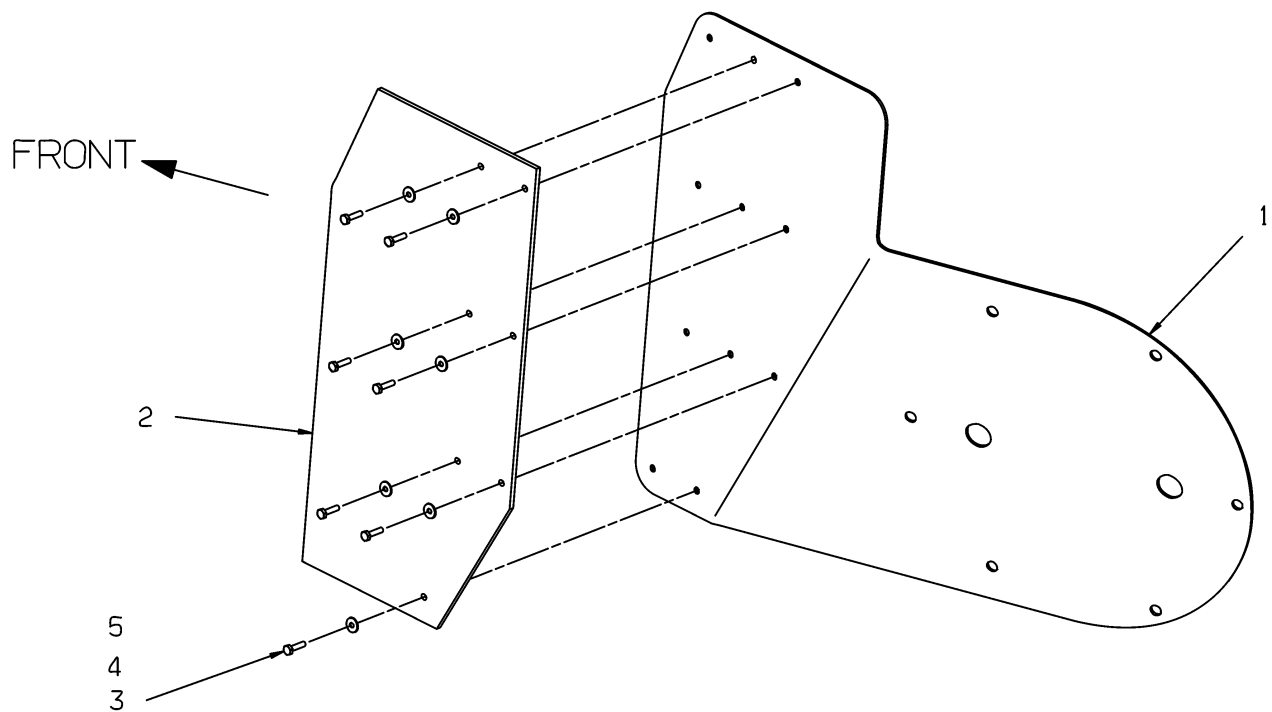


325649-B-1.TIF

DEFLECTOR ASM-CROP,LH

ITEM	PART #	QTY	DESCRIPTION	COMMENTS
1	AG422725	1	BRACKET-CROP DEFLECTOR,LH	
2	AG325661	1	DEFLECTOR-CROP,LH	
3	AG563094	7	SCREW 10-24X0.75 PH PHS SS	
4	AG562082	7	WASHER #10 FL SS REG TYPE-B	
5	AG027274	7	NUT #10-24NC HEX SS REG NY	

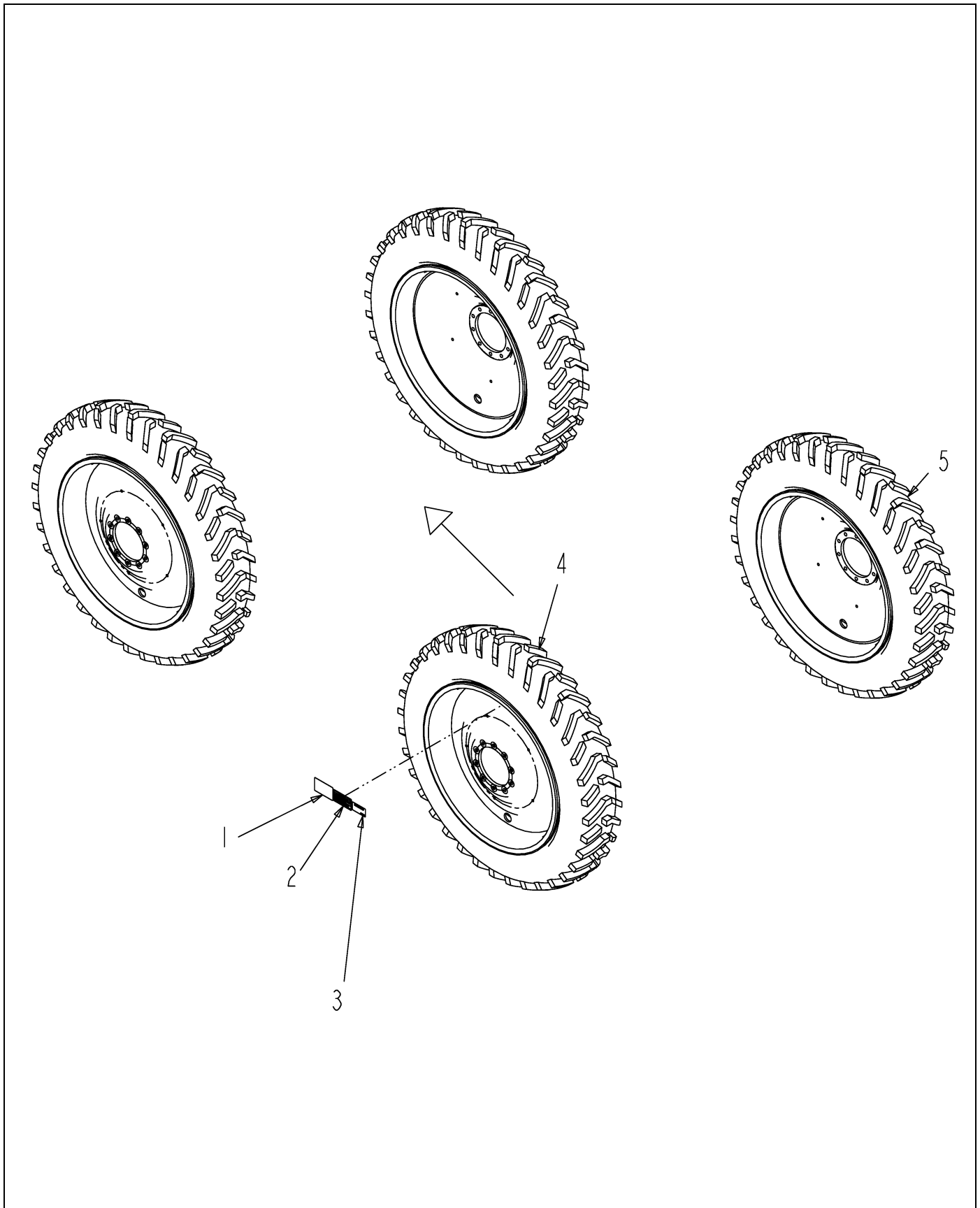
DEFLECTOR ASM-CROP,RH



325650-B-1.TIF

DEFLECTOR ASM-CROP,RH

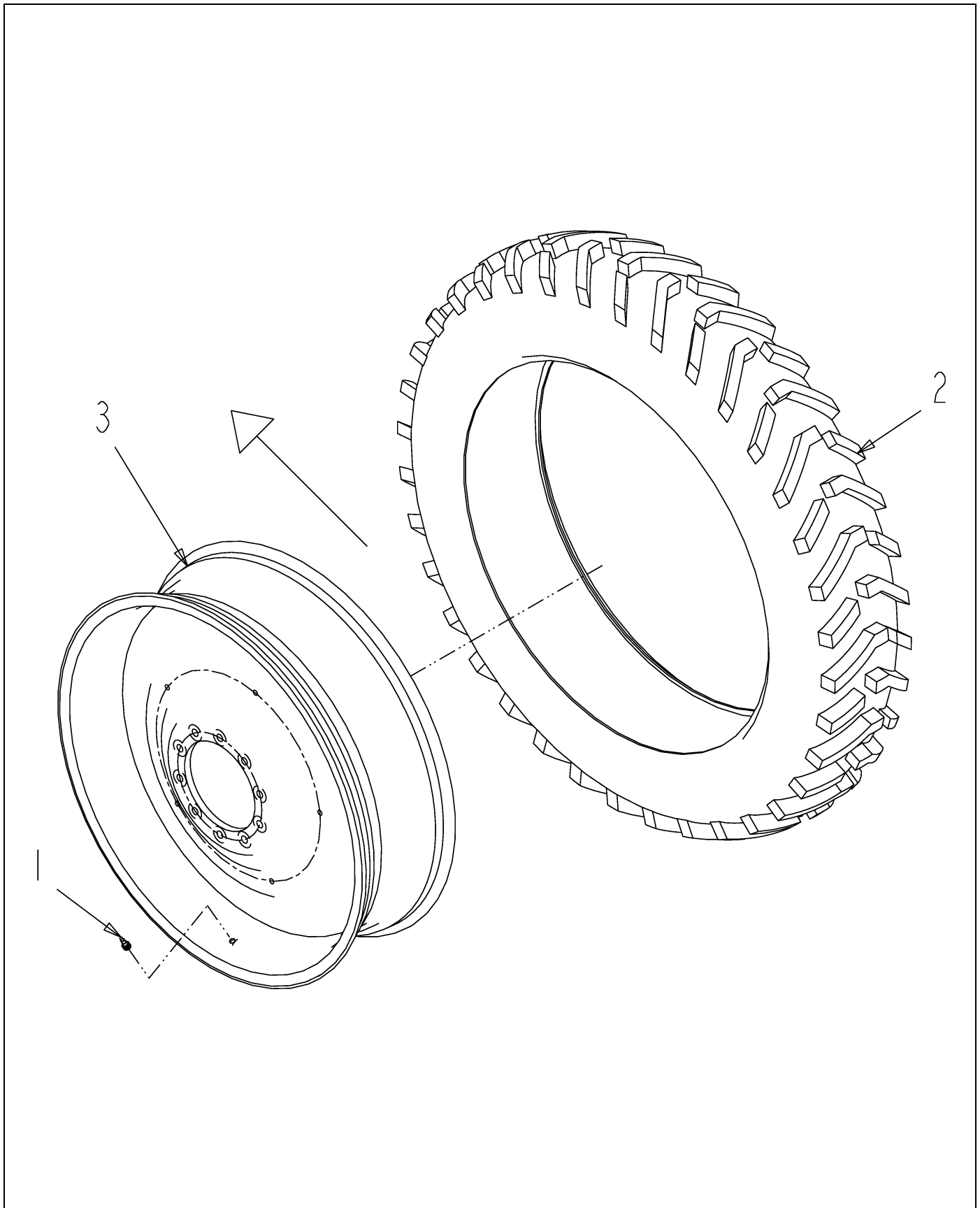
ITEM	PART #	QTY	DESCRIPTION	COMMENTS
1	AG422724	1	BRACKET-CROP DEFLECTOR,RH	
2	AG325660	1	DEFLECTOR-CROP,RH	
3	AG563094	7	SCREW 10-24X0.75 PH PHS SS	
4	AG562082	7	WASHER #10 FL SS REG TYPE-B	
5	AG027274	7	NUT #10-24NC HEX SS REG NY	



511665D1-01-N579-.TIF

OPT-TIRE,TTN 380/90R46,168,R1S

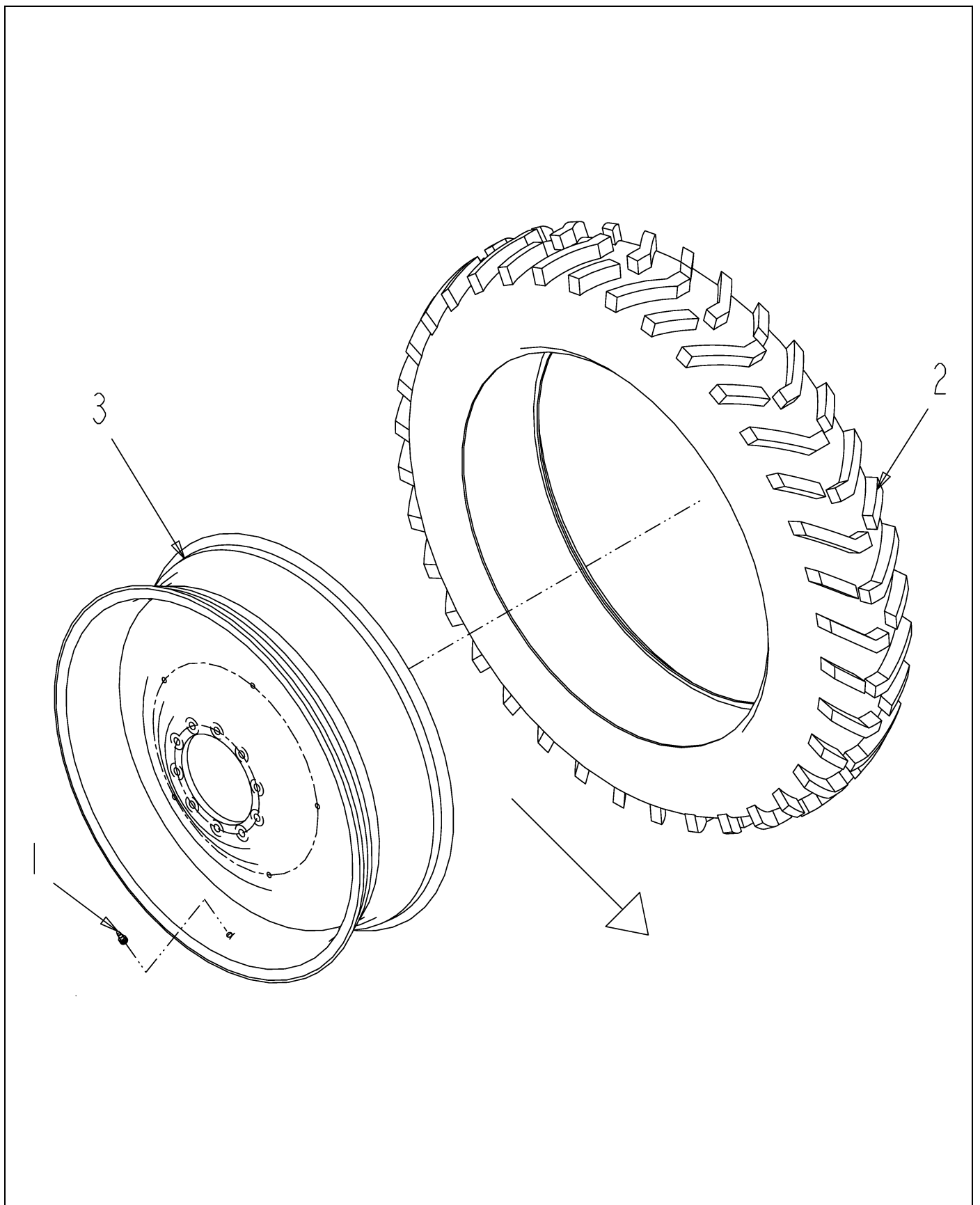
ITEM	PART #	QTY	DESCRIPTION	COMMENTS
1	AG121905	4	DECAL-WARNING,TIRE INFL	
2	AG125836	4	DECAL-CAUTION,WHEEL MTG	
3	AG262948	4	DECAL-WARNING,REPL TIRE,ENG	
4	512541D1	2	RIM/TIRE ASM-380/90R46 R1S,LH	SEE PAGE 12-5
5	512542D1	2	RIM/TIRE ASM-380/90R46 R1S,RH	SEE PAGE 12-6



512541D1-01-N579-.TIF

RIM/TIRE ASM-380/90R46 R1S,LH

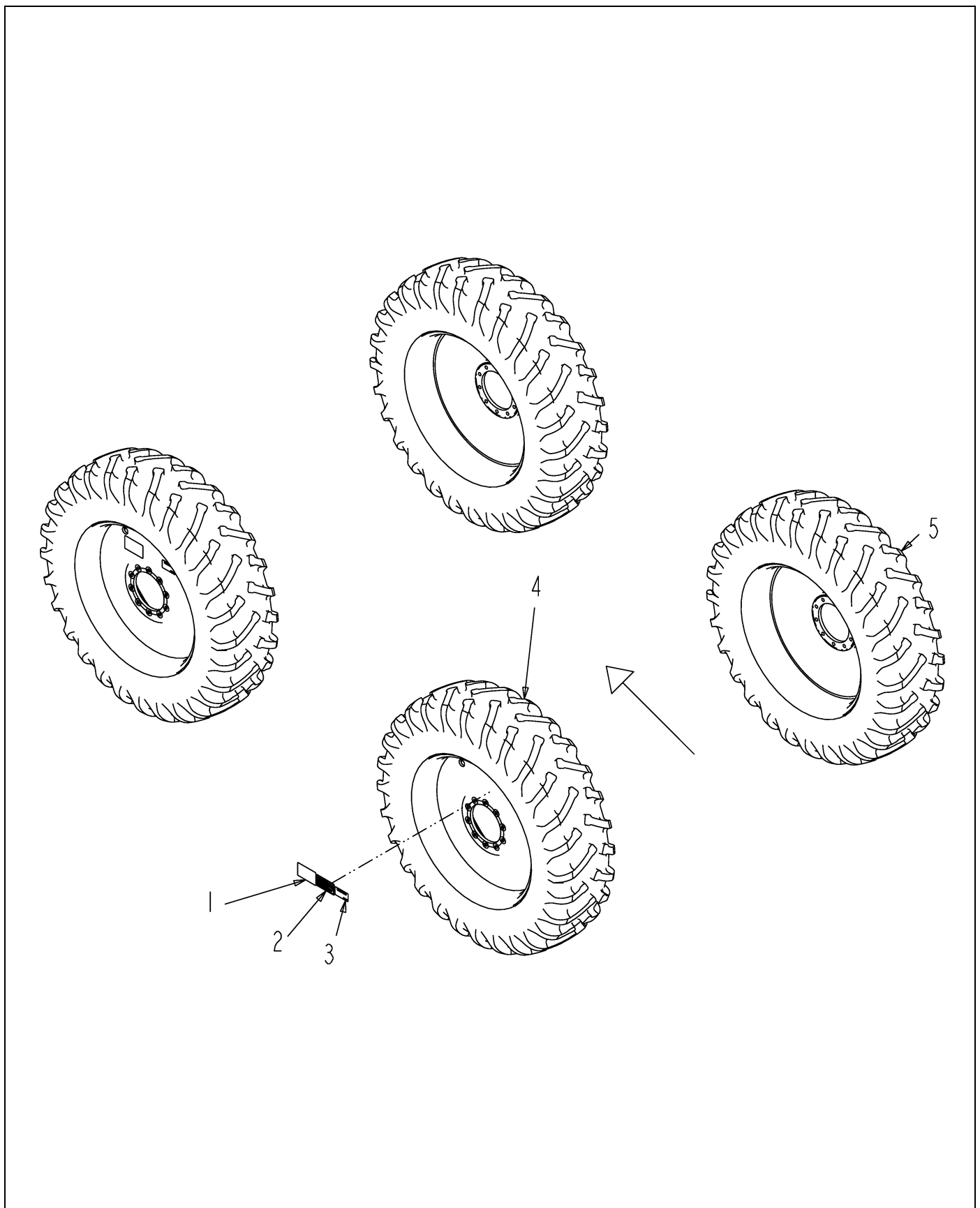
ITEM	PART #	QTY	DESCRIPTION	COMMENTS
1	AG517766	1	VALVE TIRE	
2	504742D1	1	TIRE-380/90R46,R1S,168A8,B,TTN	
3	512286D1	1	WHEEL-46XDW13A,4.92 IN,10 HOLE	



512542D1-01-N579-.TIF

RIM/TIRE ASM-380/90R46 R1S,RH

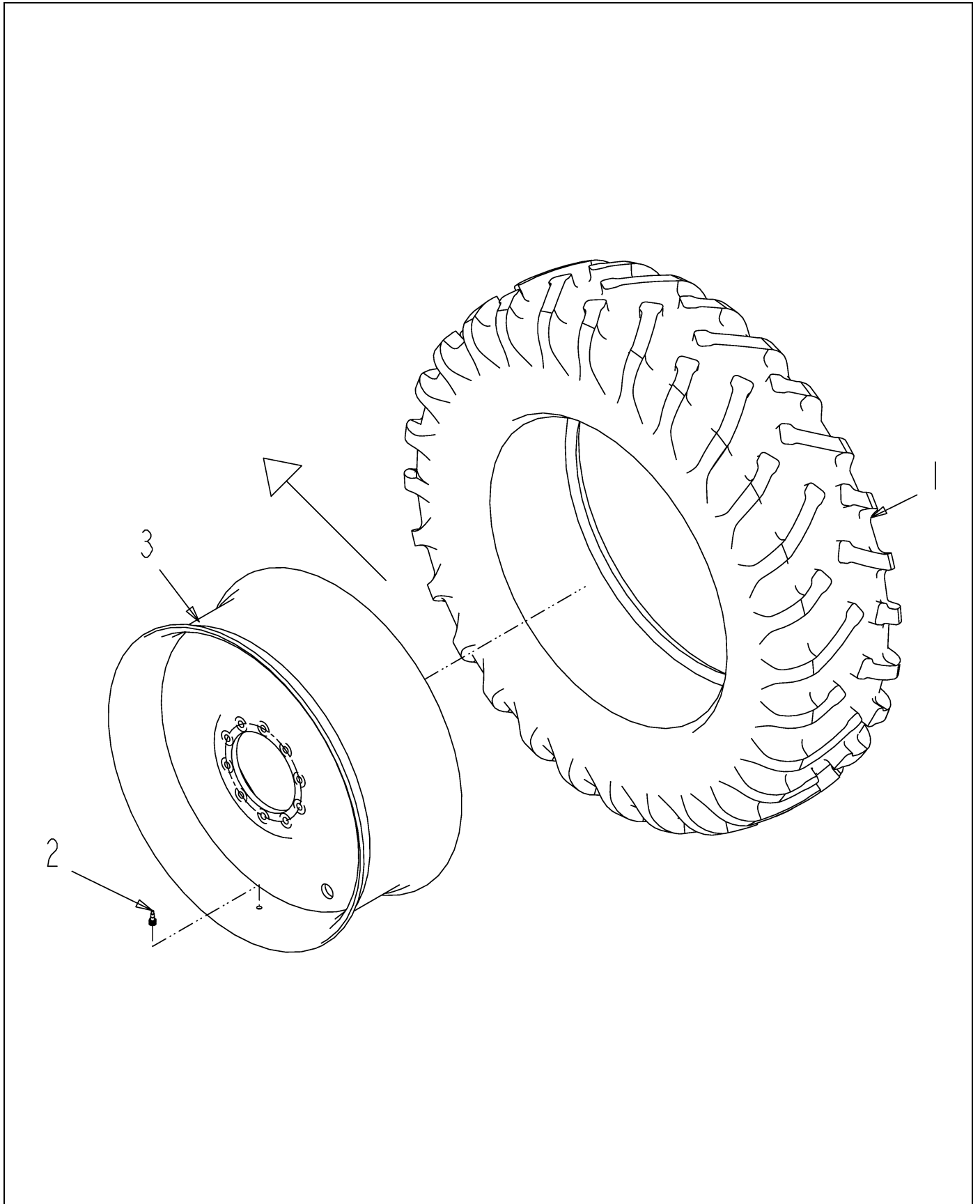
ITEM	PART #	QTY	DESCRIPTION	COMMENTS
1	AG517766	1	VALVE TIRE	
2	504742D1	1	TIRE-380/90R46,R1S,168A8,B,TTN	
3	512286D1	1	WHEEL-46XDW13A,4.92 IN,10 HOLE	



511666D1-01-N579-.TIF

OPT-TIRE,TTN 480/80R42,166A8/B

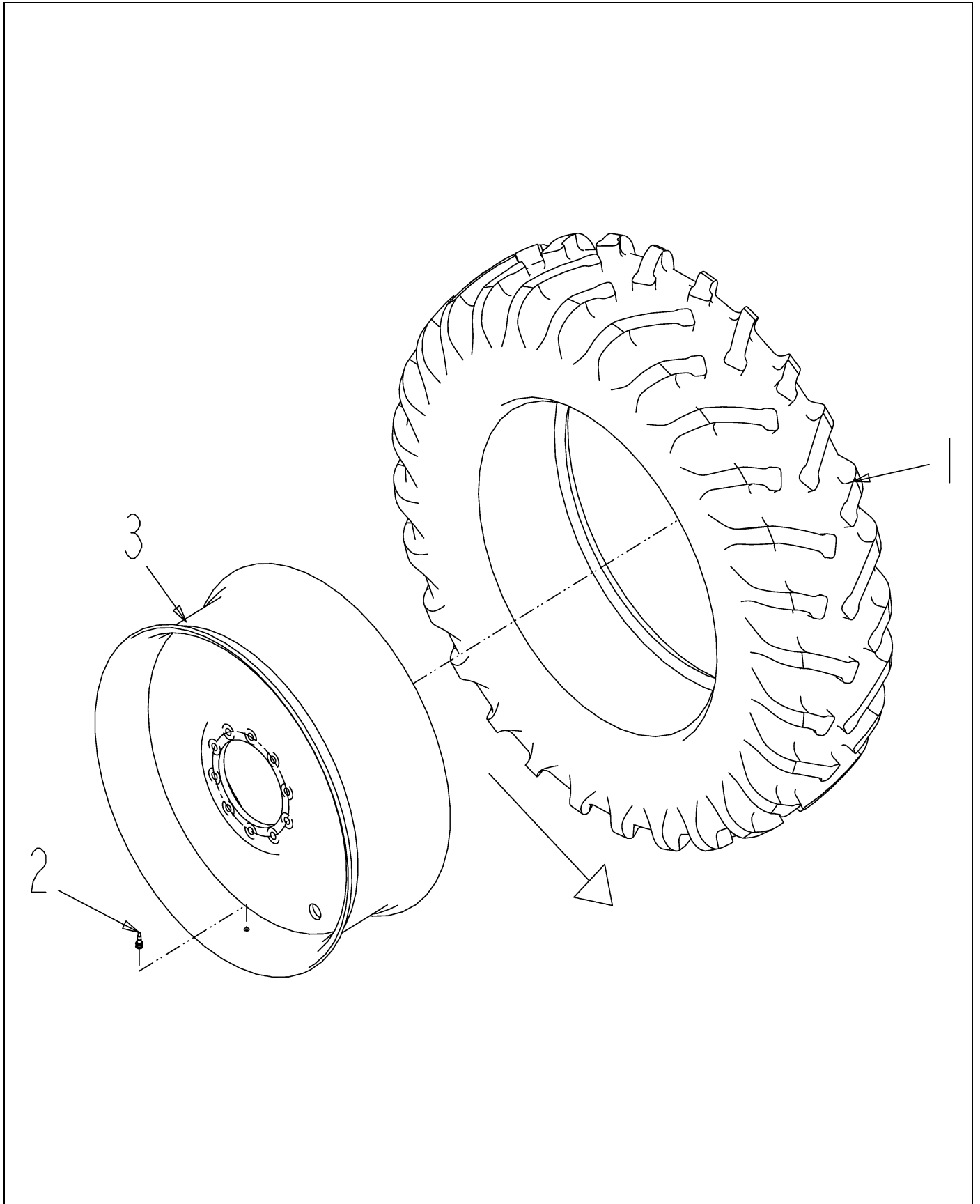
ITEM	PART #	QTY	DESCRIPTION	COMMENTS
1	AG121905	4	DECAL-WARNING,TIRE INFL	
2	AG125836	4	DECAL-CAUTION,WHEEL MTG	
3	AG262948	4	DECAL-WARNING,REPL TIRE,ENG	
4	512536D1	2	RIM/TIRE ASM-480/80R42,LH	SEE PAGE 12-8
5	512537D1	2	RIM/TIRE ASM-480/80R42,RH	SEE PAGE 12-9



512536D1-01-N579-.TIF

RIM/TIRE ASM-480/80R42,LH

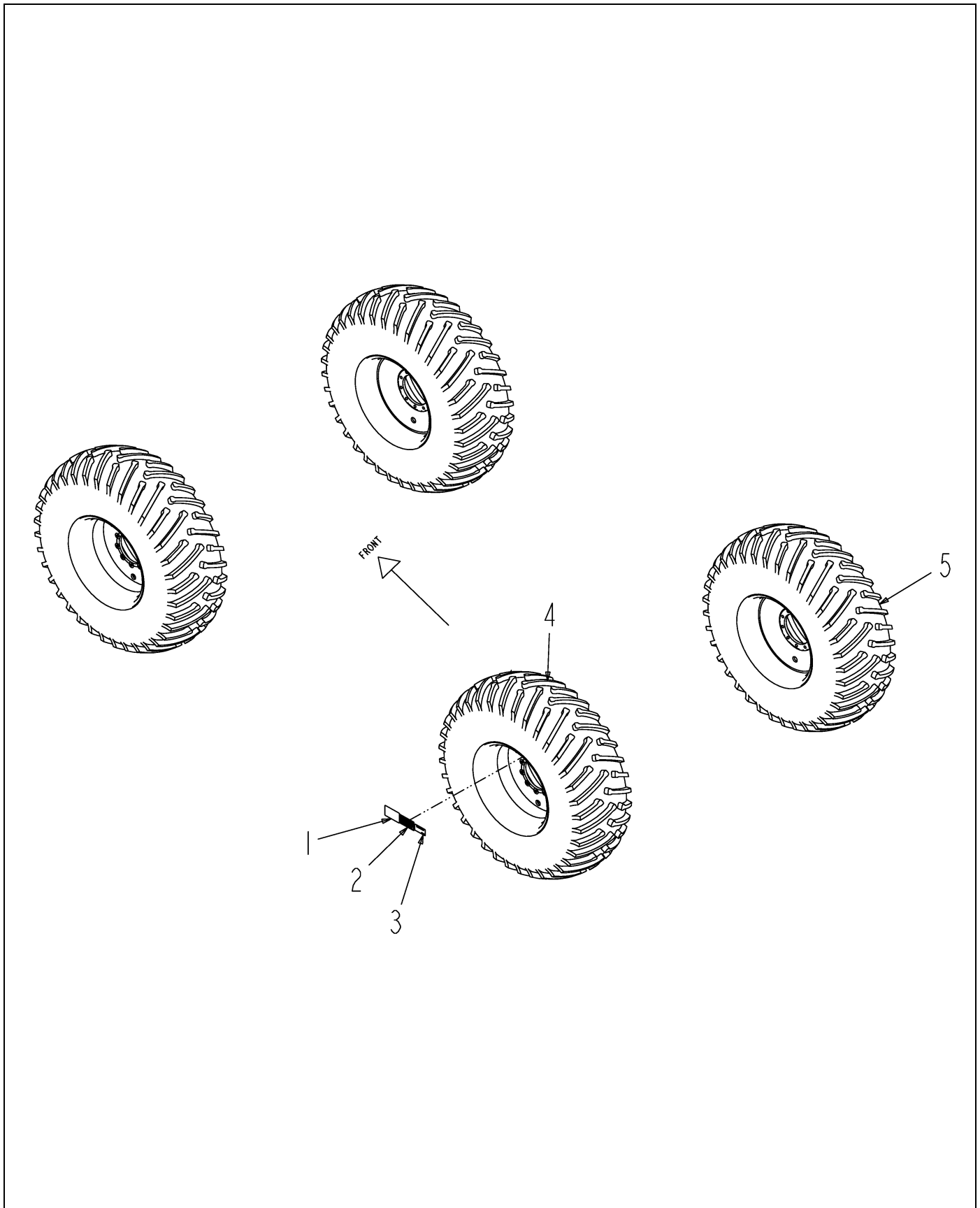
ITEM	PART #	QTY	DESCRIPTION	COMMENTS
1	AG133232	1	TIRE-RADIAL,480/80R42-166A8 R1	
2	AG517766	1	VALVE TIRE	
3	512529D1	1	WHEEL-42XWH16,2.92 IN,10 HOLE	



512537D1-01-N579-.TIF

RIM/TIRE ASM-480/80R42,RH

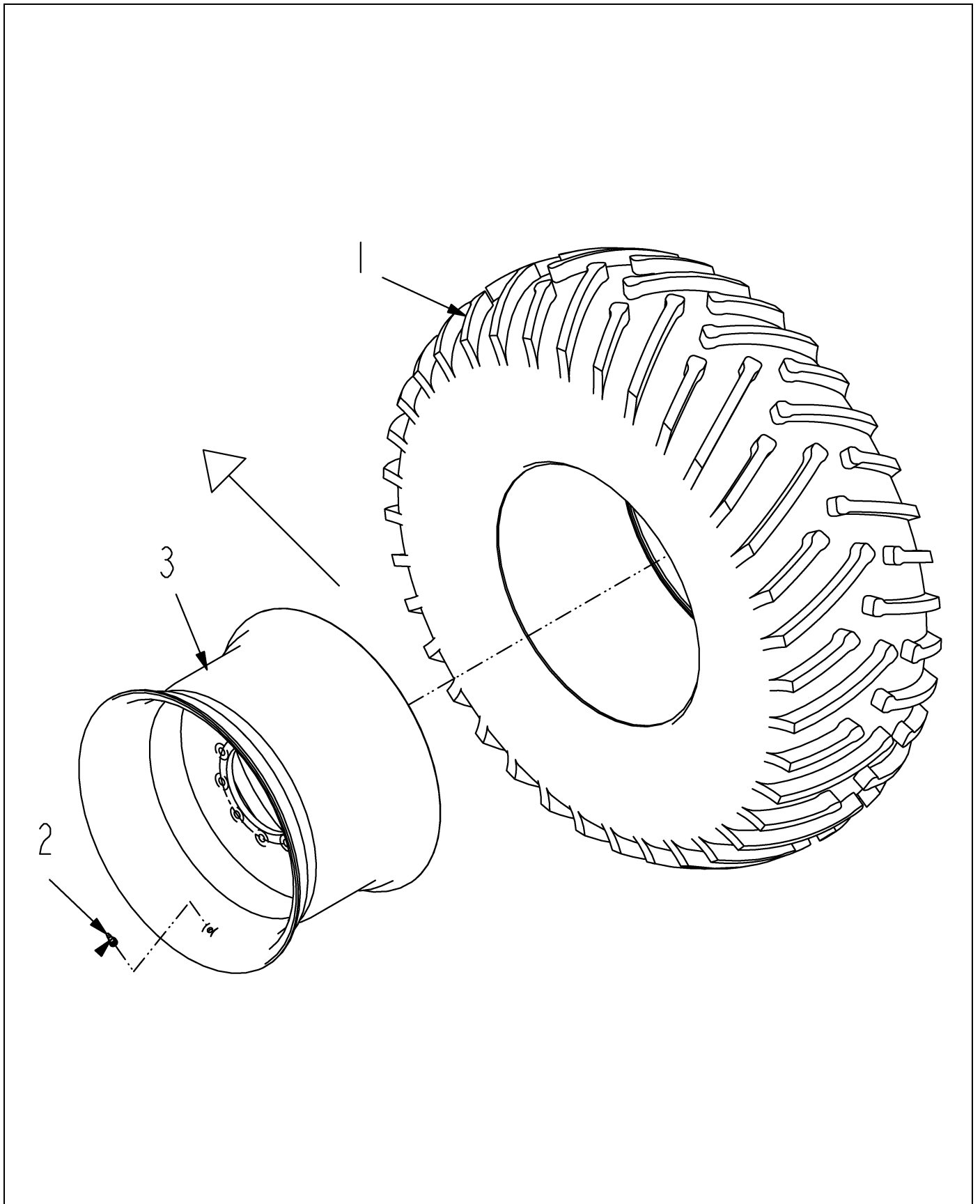
ITEM	PART #	QTY	DESCRIPTION	COMMENTS
1	AG133232	1	TIRE-RADIAL,480/80R42-166A8 R1	
2	AG517766	1	VALVE TIRE	
3	512529D1	1	WHEEL-42XWH16,2.92 IN,10 HOLE	



511667D1-01-N579-.TIF

OPT-TIRE,TTN 24.5R32, 5ST

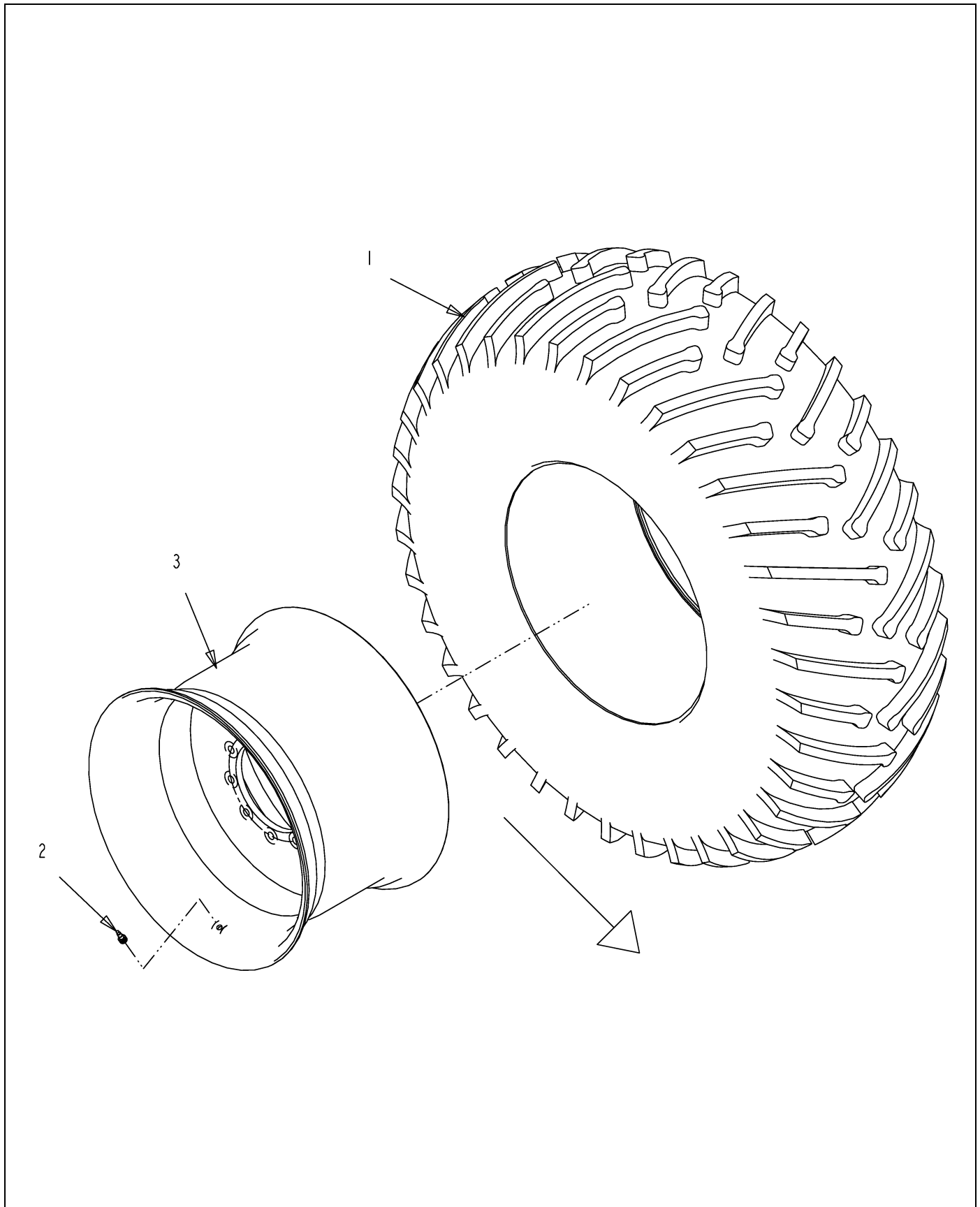
ITEM	PART #	QTY	DESCRIPTION	COMMENTS
1	AG121905	4	DECAL-WARNING,TIRE INFL	
2	AG125836	4	DECAL-CAUTION,WHEEL MTG	
3	AG262948	4	DECAL-WARNING,REPL TIRE,ENG	
4	512534D1	2	RIM/TIRE ASM-24.5-32,LH	SEE PAGE 12-11
5	512535D1	2	RIM/TIRE ASM-24.5-32,RH	SEE PAGE 12-12



512534D1-01-N579-.TIF

RIM/TIRE ASM-24.5-32,LH

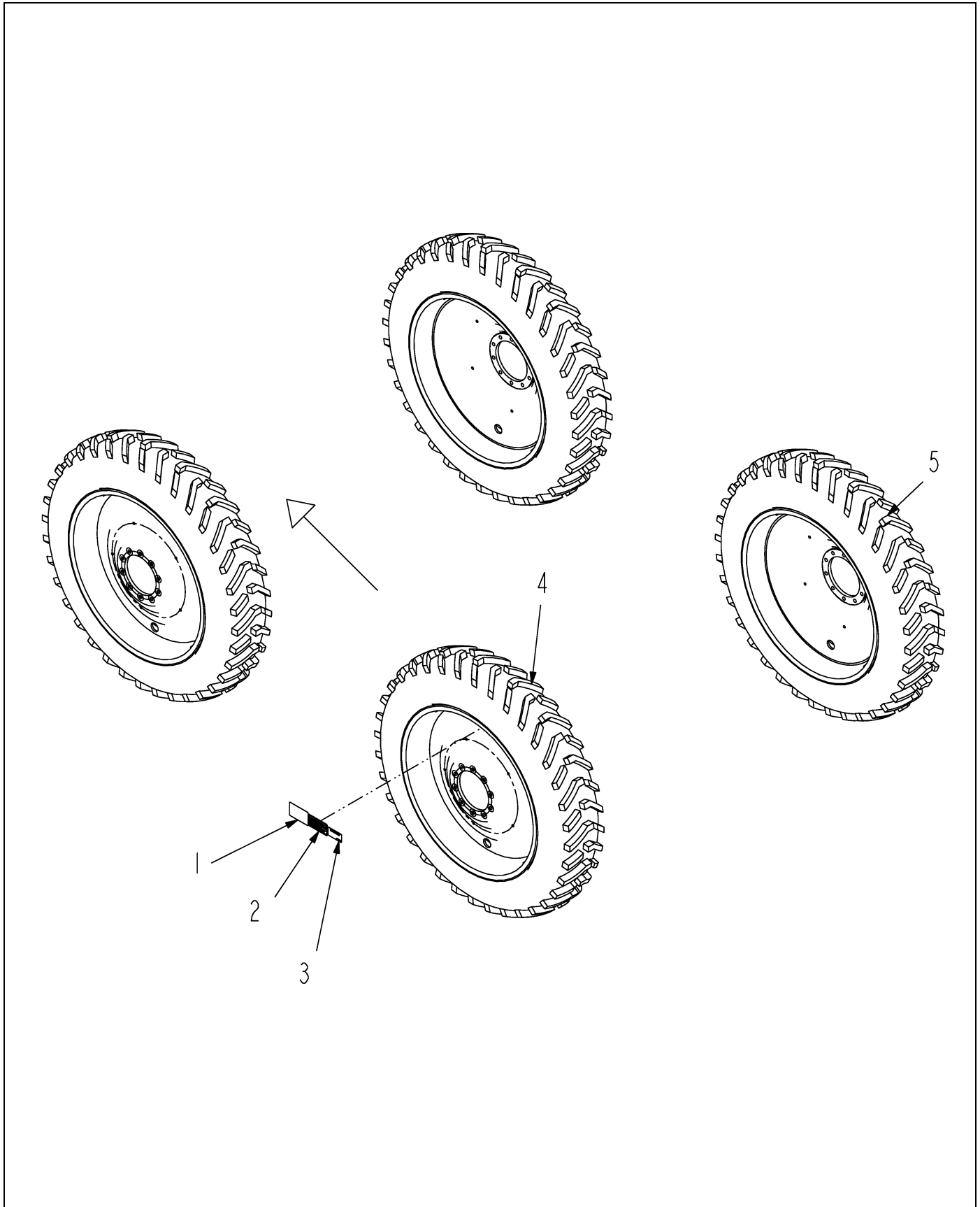
ITEM	PART #	QTY	DESCRIPTION	COMMENTS
1	AG126420	1	TIRE-24.5-32,TITAN RADIAL	
2	AG517766	1	VALVE TIRE	
3	512530D1	1	WHEEL-32XDW21A,.33 IN,10 HOLE	



512535D1-01-N579-.TIF

RIM/TIRE ASM-24.5-32,RH

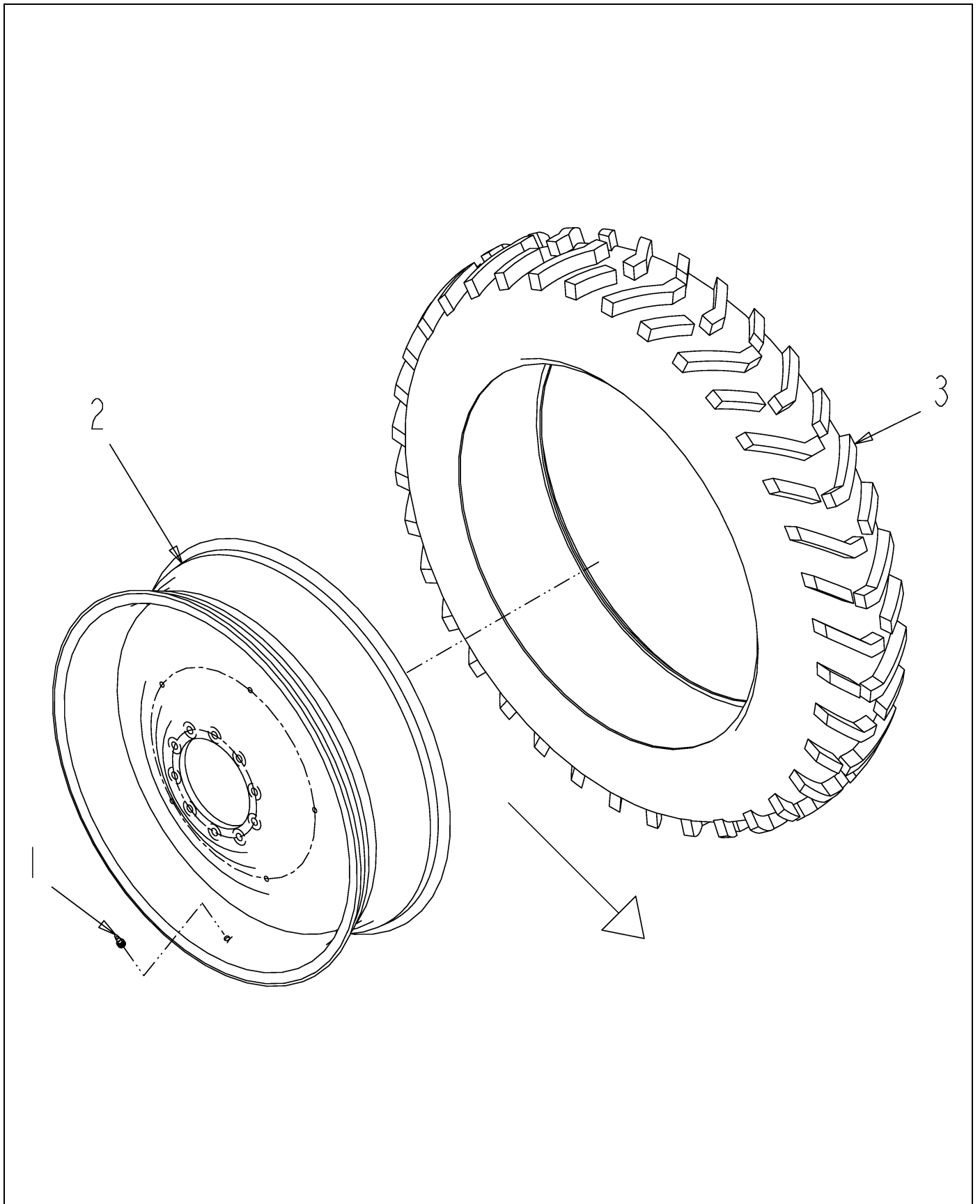
ITEM	PART #	QTY	DESCRIPTION	COMMENTS
1	AG126420	1	TIRE-24.5-32,TITAN RADIAL	
2	AG517766	1	VALVE TIRE	
3	512530D1	1	WHEEL-32XDW21A,.33 IN,10 HOLE	



512637D1-01-N579-.TIF

OPT-TIRE,GY 380/90R46,168,R1

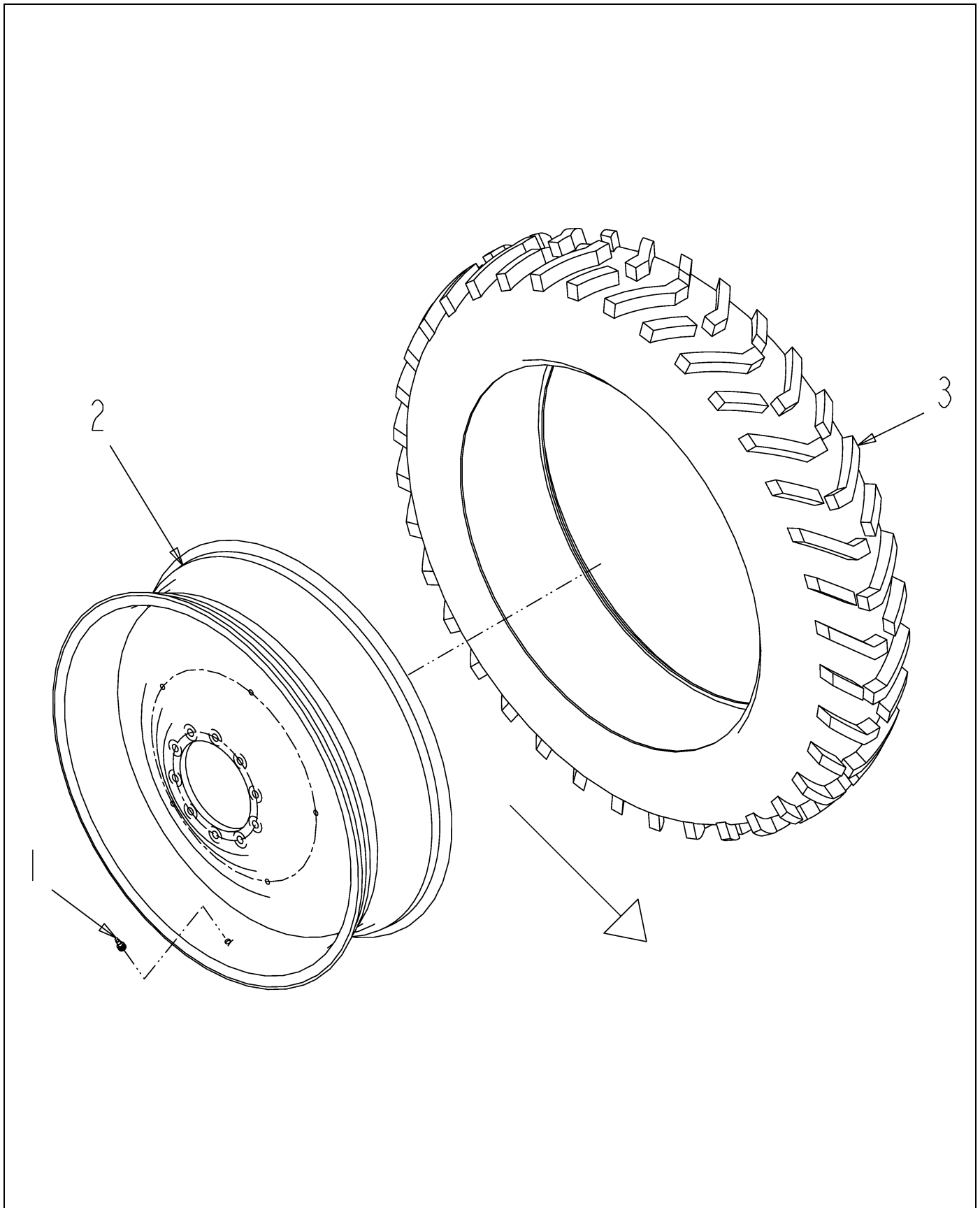
ITEM	PART #	QTY	DESCRIPTION	COMMENTS
1	AG121905	4	DECAL-WARNING,TIRE INFL	
2	AG125836	4	DECAL-CAUTION,WHEEL MTG	
3	AG262948	4	DECAL-WARNING,REPL TIRE,ENG	
4	512638D1	2	RIM/TIRE ASM-380/90R46 R1,LH	SEE PAGE 12-14
5	512639D1	2	RIM/TIRE ASM-380/90R46 R1,RH	SEE PAGE 12-15



512638D1-01-N579-.TIF

RIM/TIRE ASM-380/90R46 R1,LH

ITEM	PART #	QTY	DESCRIPTION	COMMENTS
1	AG517766	1	VALVE TIRE	
2	512286D1	1	WHEEL-46XDW13A,4.92 IN,10 HOLE	
3	512616D1	1	TIRE-380/90R46,R1,168A8/B,GY	

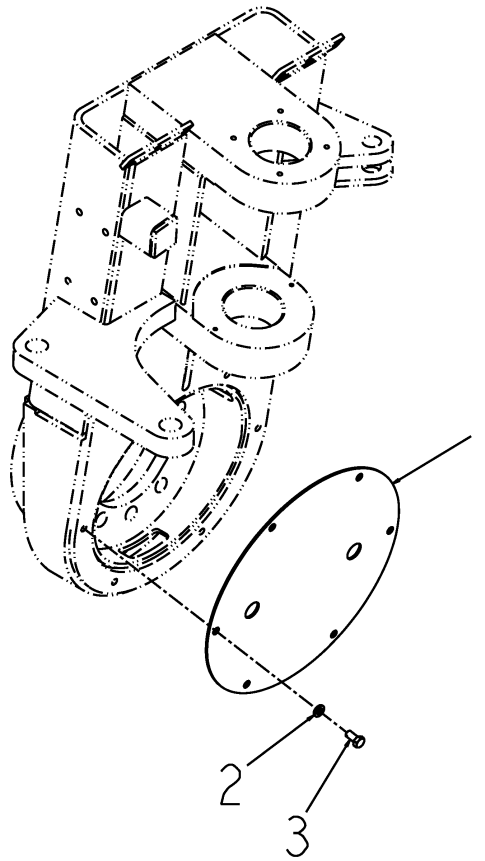


512639D1-01-N579-.TIF

RIM/TIRE ASM-380/90R46 R1,RH

ITEM	PART #	QTY	DESCRIPTION	COMMENTS
1	AG517766	1	VALVE TIRE	
2	512286D1	1	WHEEL-46XDW13A,4.92 IN,10 HOLE	
3	512616D1	1	TIRE-380/90R46,R1,168A8/B,GY	

PLATE INSTL-COVER,WHEEL LEG

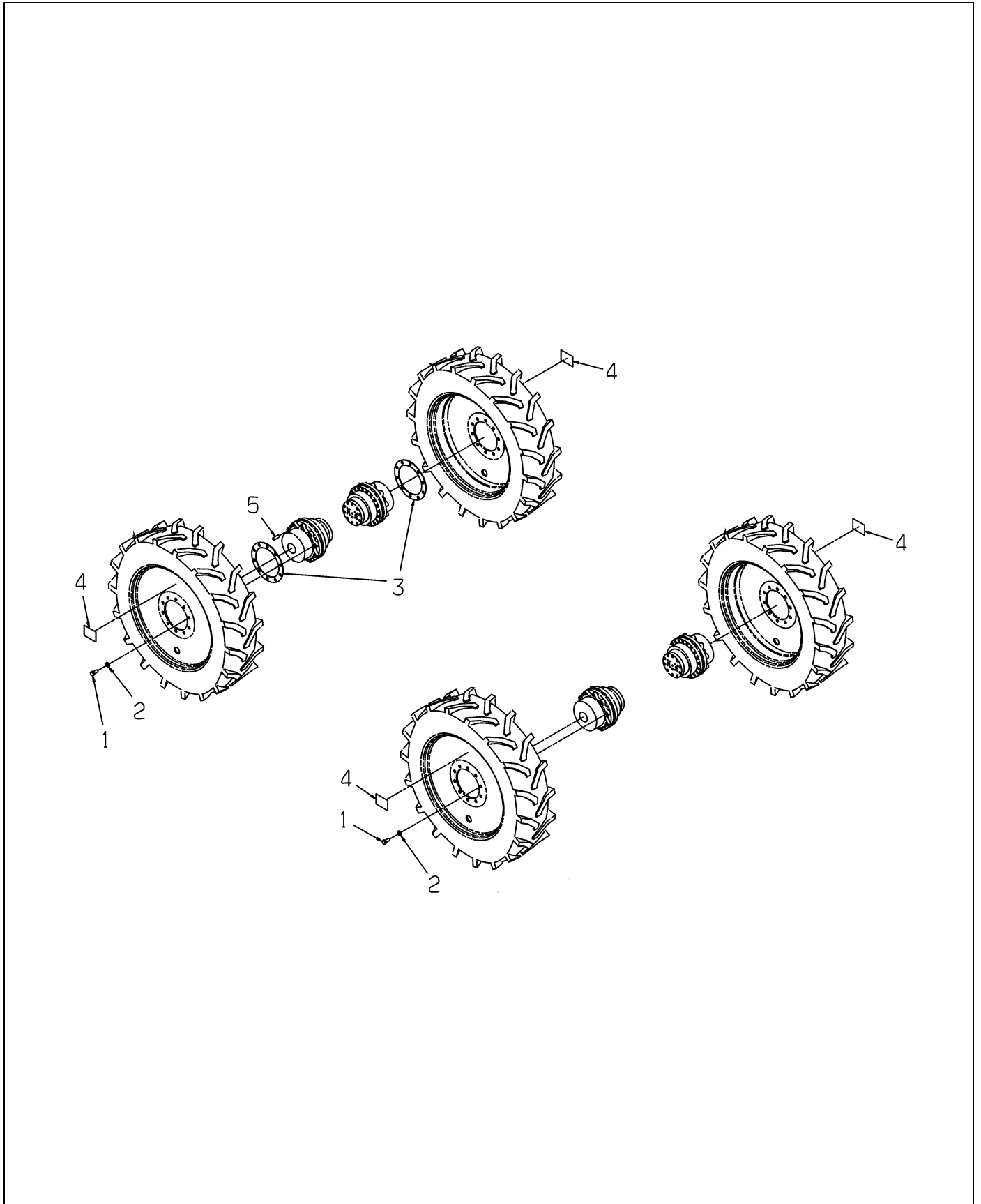


124708-A.TIF

PLATE INSTL-COVER,WHEEL LEG

ITEM	PART #	QTY	DESCRIPTION	COMMENTS
0	AG133275	4	DECAL-GREASE,WHEEL MOTORS	
1	AG239684	4	PLATE-COVER,WHEEL LEG	
2	AG550191	24	WASHER 0.37 LK ZN REG	
3	AG550167	24	BOLT 0.37-16NCX 0.62 G5 ZN HHD	

HARDWARE INSTL-WHEEL



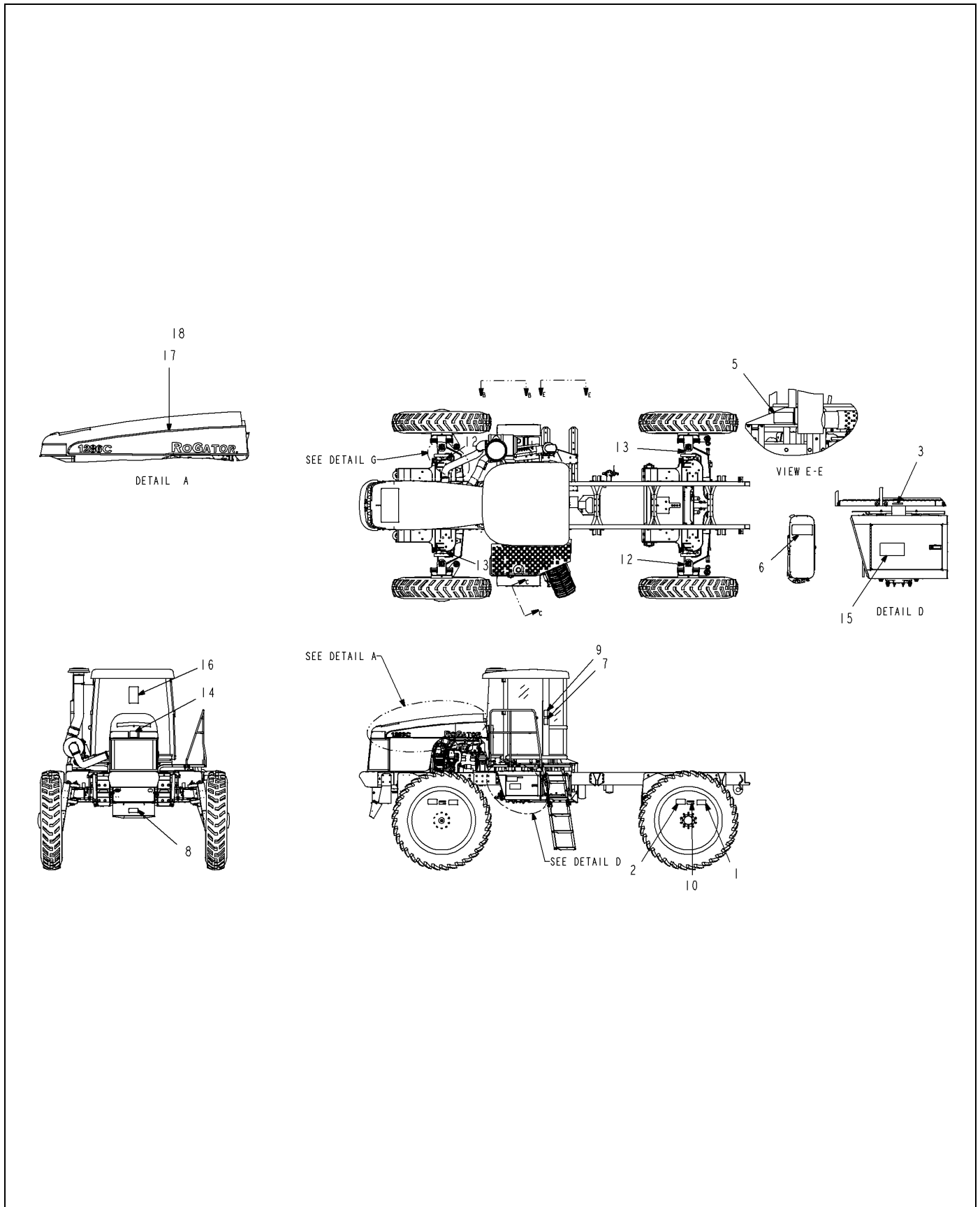
125829-B-1.tif

HARDWARE INSTL-WHEEL

ITEM	PART #	QTY	DESCRIPTION	COMMENTS
1	AG125830	40	BOLT-M22-1.5X60,CL10.9,HHD,BLK	
2	AG523369	40	WASHER-FL,..94,HARD	
3	AG239437	2	SPACER-WHEEL MTG,REAR	
4	AG125836	-	DECAL-CAUTION,WHEEL MTG	
5	AG261904	-	STUD-ALIGNMENT,RIM INSTL	

DECAL INSTL-CHASSIS 1286C	13-1
PPO DECAL INSTL-CAB,FLCN98-"00	13-2
DECAL INSTL-CAB,1274C	13-3
DECAL INSTL-CAB,1274C	13-4

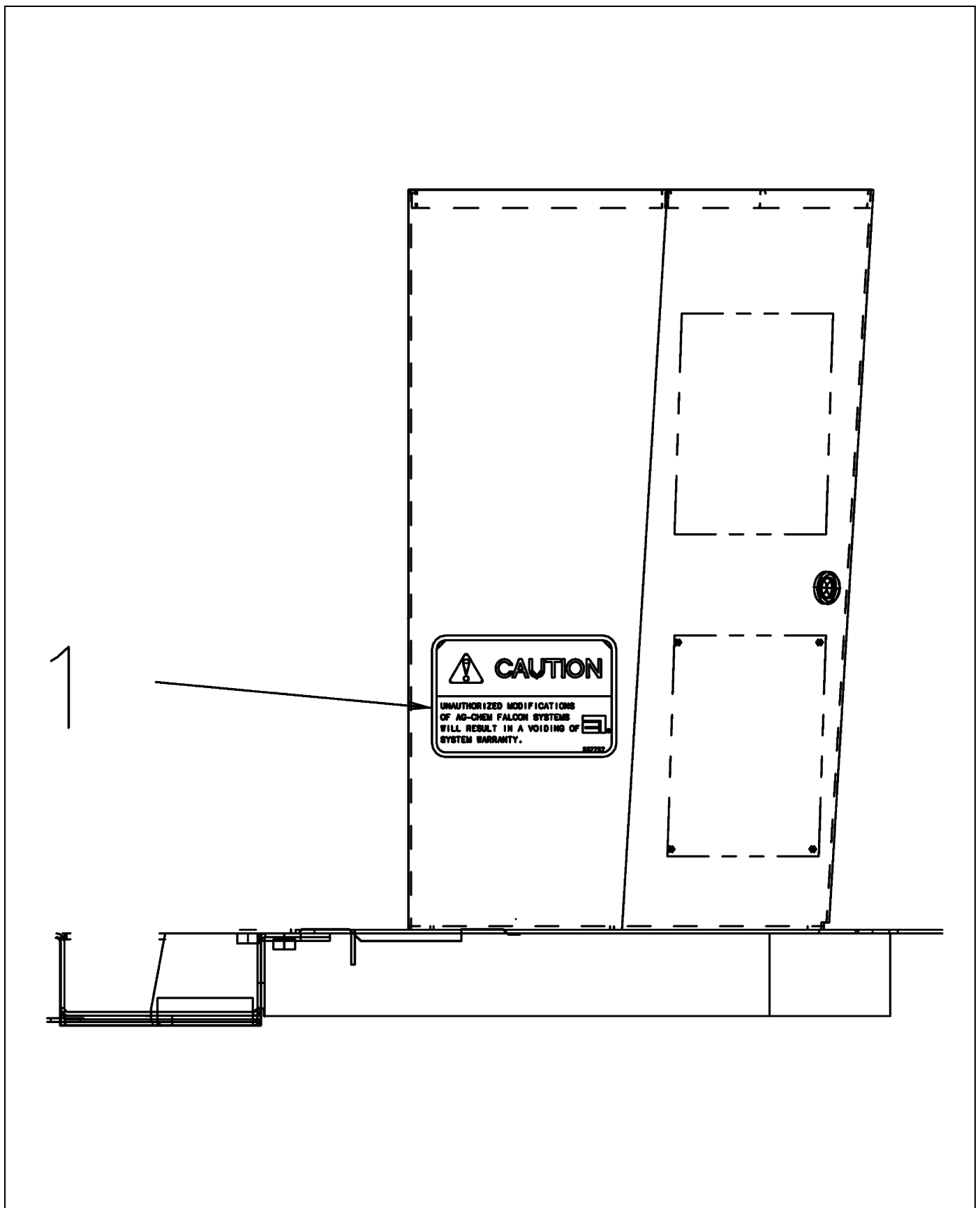
DECAL INSTL-CHASSIS 1286C



511670D1-04-R331-01.TIF

DECAL INSTL-CHASSIS 1286C

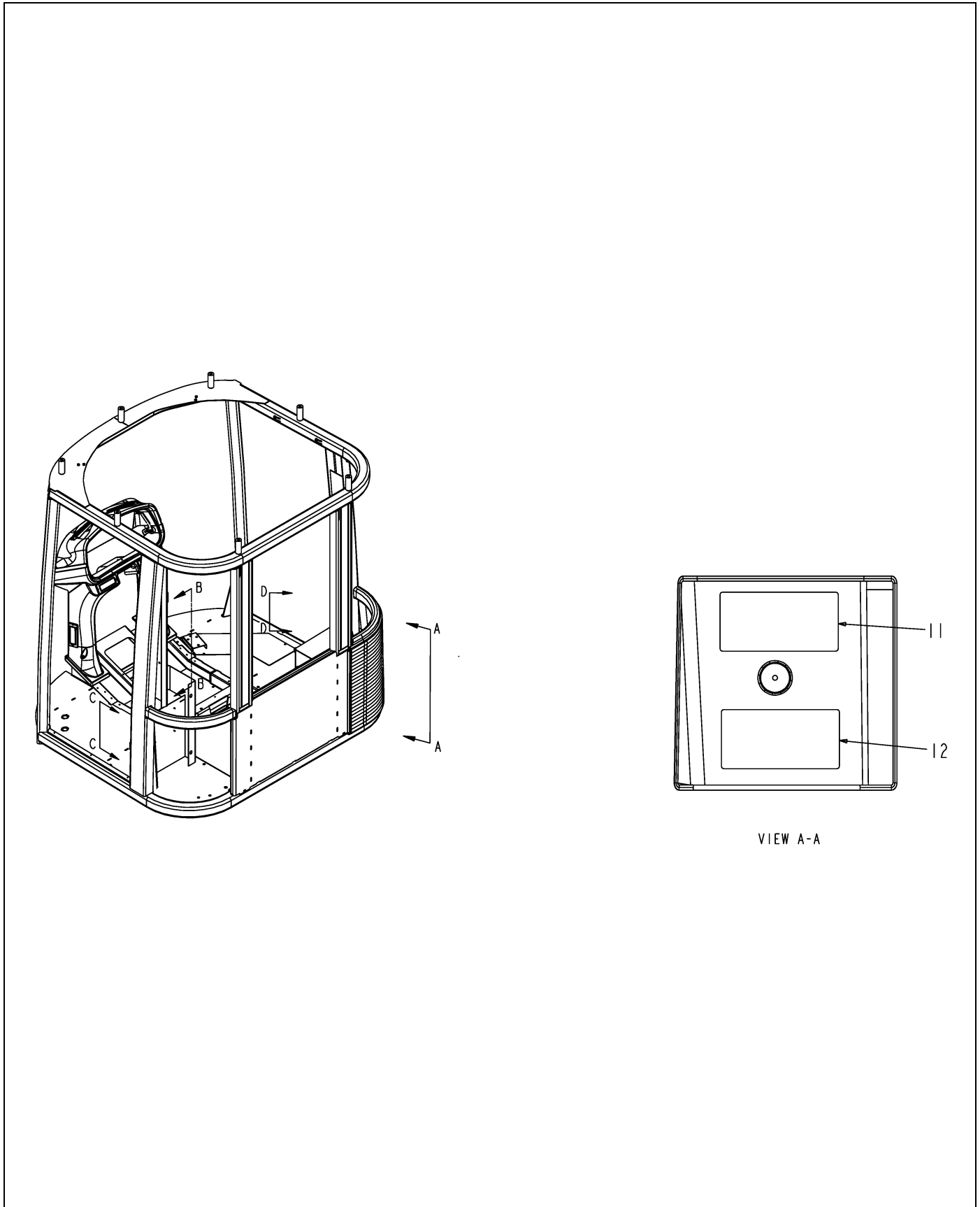
ITEM	PART #	QTY	DESCRIPTION	COMMENTS
1	AG121905	-	DECAL-WARNING,TIRE INFL	
2	AG125836	-	DECAL-CAUTION,WHEEL MTG	
3	AG223224	1	DECAL FUEL	[A]
4	AG235004	1	DECAL WARNING ETHER	
5	AG238366	1	DECAL-HAZARD,HOT SURF,MUF,SYM	
6	AG238762	1	DECAL-WARNING,HP FLUID	
7	AG238783	1	DECAL-WARNING,BOOM MOTION	
8	AG238814	1	DECAL-IMPORTANT,ELEC DISC	
9	AG260051	1	DECAL-CAUTION,READ OPR MNL	
10	AG262948	-	DECAL-WARNING,REPL TIRE,ENG	
11	AG263013	1	DECAL-CAUTION,LADDER,FOLD	
12	AG309499	2	DECAL AXLE SPACING LH	
13	AG309500	2	DECAL AXLE SPACING RH	
14	AG324206	1	DECAL-COWLING,FRONT	
15	AG325260	1	DECAL-TERMINAL,BATTERY	
16	AG523281	1	SHEET-INSTR,SHIPPING HEIGHT	
17	512381D1	1	DECAL - HOOD, RG 1286C, LH	
18	512382D1	1	DECAL - HOOD, RG 1286C, RH	
	FOOTNOTE [A]		SPANISH DECAL: AG237868	



421582-A.tif

PPO DECAL INSTL-CAB,FLCN98-"00

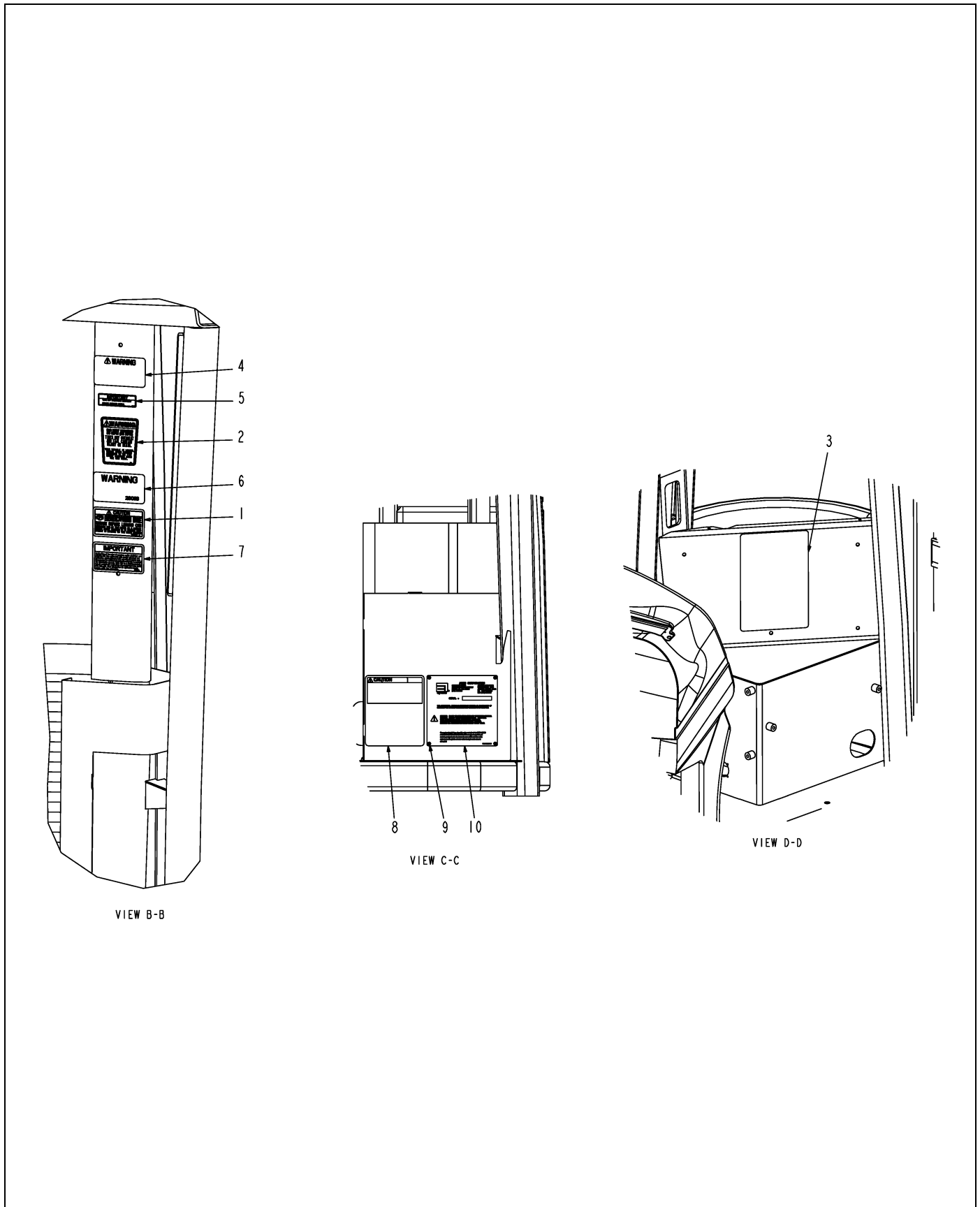
ITEM	PART #	QTY	DESCRIPTION	COMMENTS
1	AG237727	1	DECAL-FLCN MODIFICATIONS	



504373D1-03-N079-01.TIF

DECAL INSTL-CAB,1274C

ITEM	PART #	QTY	DESCRIPTION	COMMENTS
11	504367D1	1	DECAL-FUSE PANEL,1274C,06	
12	504368D1	1	DECAL-RELAY PANEL,1274C,06	

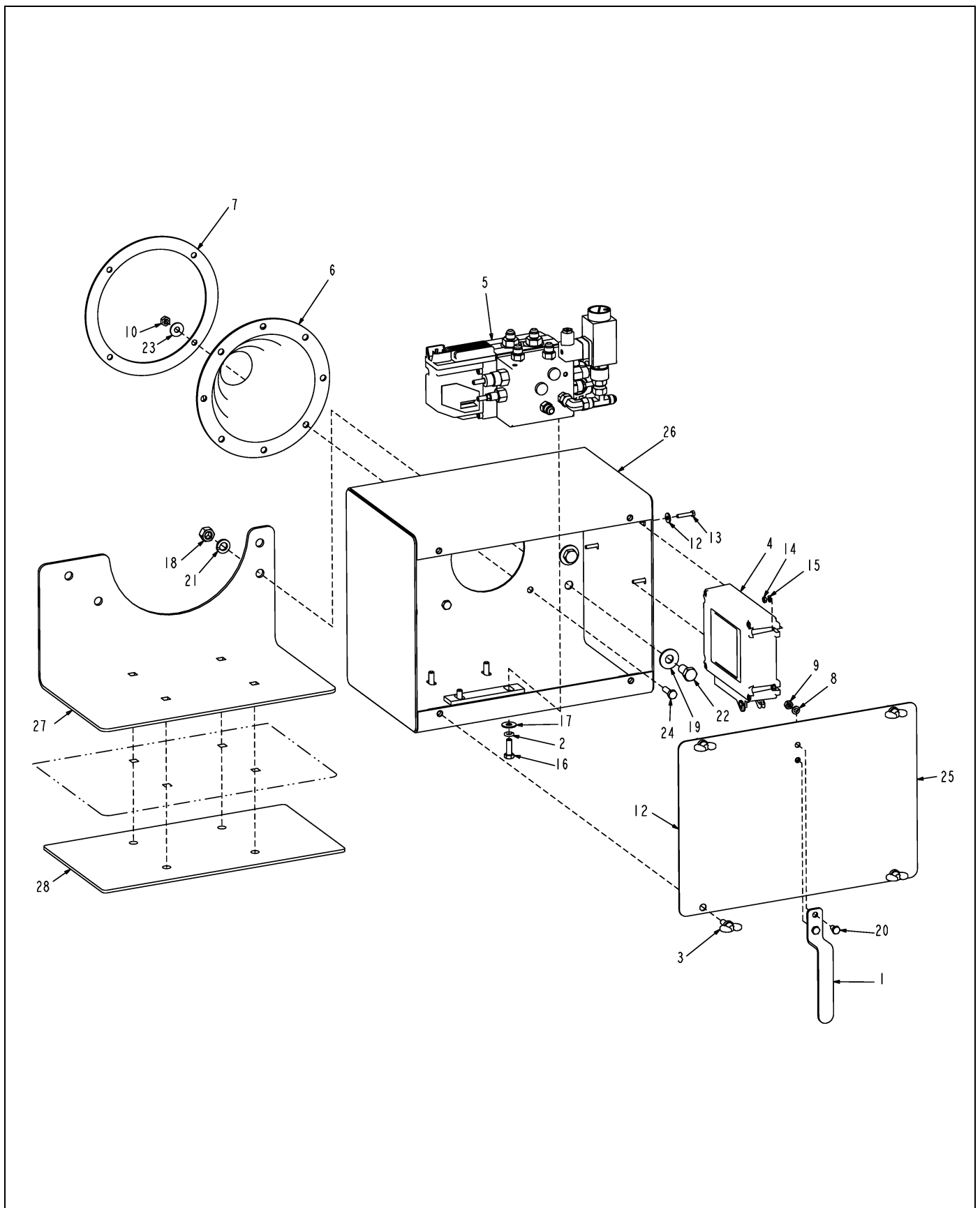


504373D1-03-N079-02.TIF

DECAL INSTL-CAB,1274C

ITEM	PART #	QTY	DESCRIPTION	COMMENTS
1	AG125818	1	DECAL-CAUTION,PARKING BRAKE	
2	AG236694	1	DECAL-WARNING,DO NOT EXCEED 30	
3	AG236845	1	DECAL-CORPORATION	
4	AG238819	1	DECAL-WARNING,ELEC SHOCK	
5	AG239436	1	DECAL-IMPORTANT,ELEC EQUIPMENT	
6	AG260116	1	DECAL-WARNING,DOWNSHIFT TO LOW	
7	AG260885	1	DECAL-IMPORTANT,SPREAD RES	
8	AG326801	1	DECAL-CAUTION,CAB FILTERS	
9	AG561884	4	RIVET POP 0.12X0.25 DOME-HD ST	
10	503580D1	1	PLATE-NUMBER, SERIAL	

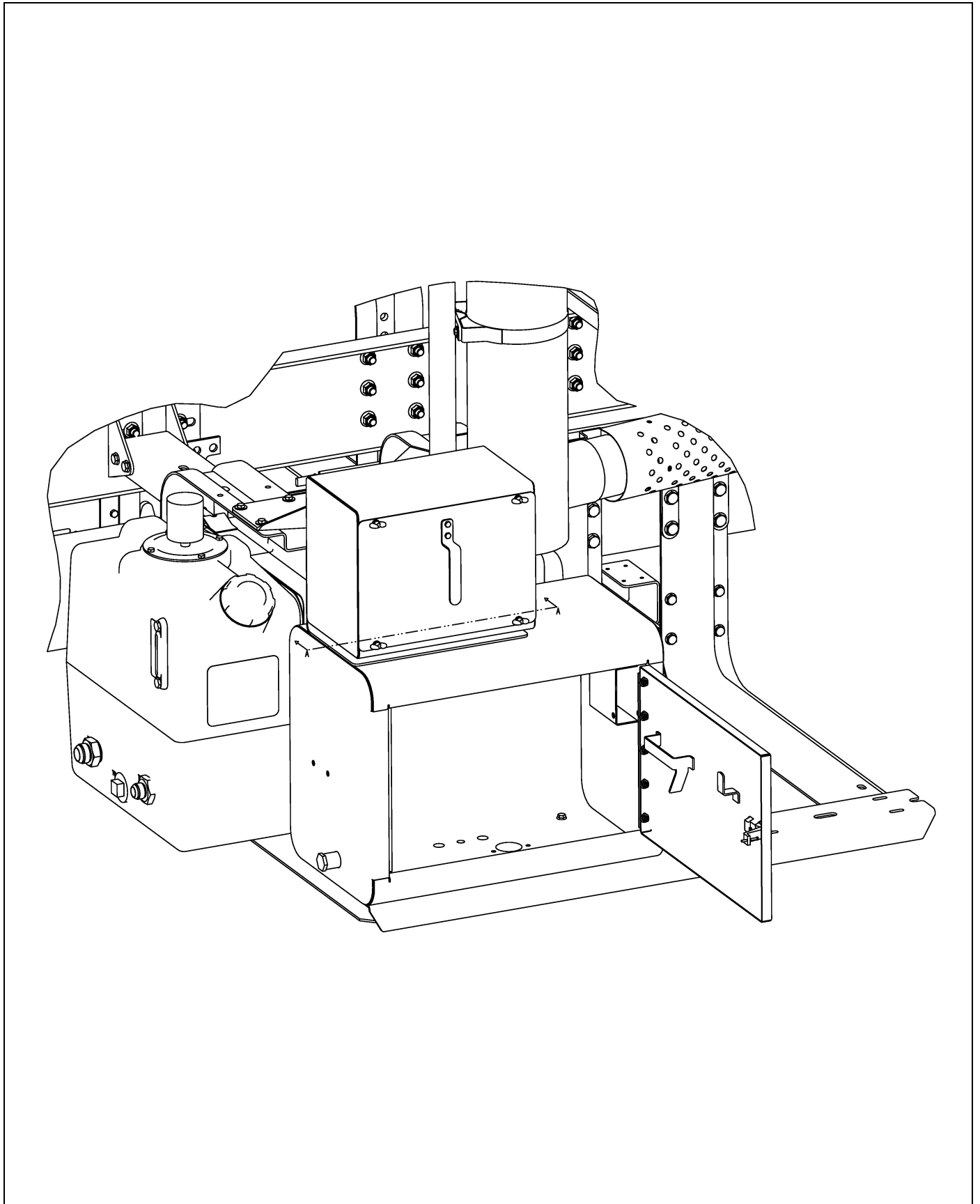
INSTL-HYD VALVE-VIU,RG	14-1
INSTL-HYD VALVE-VIU,RG	14-2
VALVE BANK-HYD,AUTOGUIDE,RG	14-3
CONTROLLER INSTL-RAVEN VIPER	14-4
CONSOLE KIT-VIPER W/CABLE,1VRA	14-5
CONSOLE KIT-VIPER,VER SPN	14-6
AUTO-GUIDE TOP DOCK	14-7
BRACKET INSTL-CAB,TOPDOCK	14-8
VIU KIT	14-9
CONTROLLER INSTL-RAVEN 4000	14-10
NODE INSTL-BOOM/SPEED,RVN	14-11
ANTENNA INSTL-STRLNK	14-12
ANTENNA-STRLNK,GPS/DGPS(523353	14-13
INSTL-BRACKET,TERMINAL	14-14
CAB ASM-CONT,FLCN II	14-15
CAB ASM-CONT,FLCN II	14-16
KEYBOARD ASM-FLCN II	14-17
SOFTWARE PKG-FLCN CONTROL	14-18
HARN INSTL-CAB,AUTOGUIDE,RG	14-19
HARN INSTL-CAB,AUTOGUIDE,RG	14-20
HARN INSTL-CAB,AUTOGUIDE,RG	14-21
HARN INSTL-CAB,AUTOGUIDE,RG	14-22
SWITCH INSTL-AUTOGUIDE	14-23
OPT-NO CONTROLLER	14-24
RECEIVER INSTL-10HZ,STRLNK	14-25
HARNESS INSTL-ANTENNA/RCVR	14-26
REMOTE BOX/CABLE INSTL-STRLNK	14-27
REMOTE BOX/CABLE INSTL-STRLNK	14-28
LIGHTBAR INSTL-,RG	14-29
RECEIVER INSTL-GPS,PHOENIX 300	14-30
ANTENNA INSTL-GPS,PHOENIX 300	14-31
KIT-GPS,PHOENIX 300	14-32
TERMINAL KIT	14-33
OPT-GPS, PHOENIX 200, RG/TG	14-34
OPT-GPS, PHOENIX 200, RG/TG	14-35
OPT-ENVISIO,RG/TG	14-36
MOUNT-SUCTION CUP,RAM	14-37
SENSOR INSTL-TILT,RG/TG	14-38
KIT-LIGHTBAR,RGL600	14-39



134179-03-N523-01.TIF

INSTL-HYD VALVE-VIU,RG

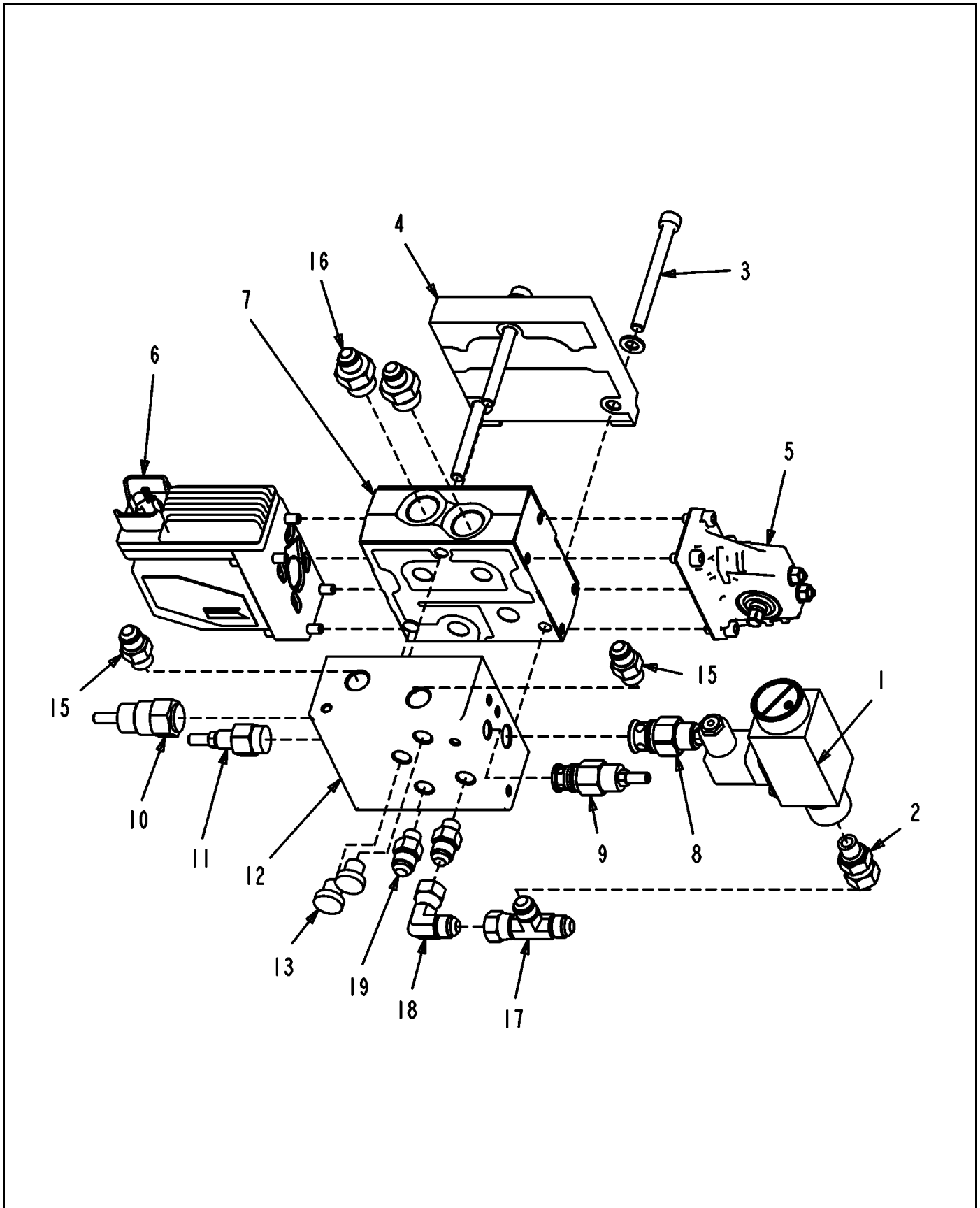
ITEM	PART #	QTY	DESCRIPTION	COMMENTS
1	AG122059	1	HANDLE,ELECTRICAL BOX	
2	AG125897	4	WASHER-LOCK,M8	
3	AG133274	4	SCREW-THUMB,.31-18NCX.75 ZY	
4	AG133992	1	VIU KIT	SEE PAGE 14-9
5	AG134180	1	VALVE BANK-HYD,AUTOGUIDE,RG	SEE PAGE 14-3
6	AG209519	1	BOOT CYLINDER	
7	AG237750	1	WASHER-BOOT	
8	AG515122	2	WASHER 0.25 LK SS REG	
9	AG515123	2	NUT 0.25-20NC HEX SS REG	
10	AG516403	4	NUT 0.31-18NC HEX SS REG NY	
11	AG516877	AR	INSULATION SELF ADH POLY.25X1 IN	
12	AG522244	4	WASHER-FL,M5,SS,REG	
13	AG522245	4	BOLT-M5-0.8X25,SS,HHD	
14	AG522246	4	NUT-M5-0.8,SS,H	
15	AG522247	4	WASHER-LK,M5,SS,REG	
16	AG524341	4	BOLT-M8,1.25X25MM,SS,HHD	
17	AG551015	4	WASHER 0.31 FL ZN REG TYPE-B	
18	AG562045	4	NUT 0.50-13NC HEX SS REG	
19	AG562046	4	WASHER 0.50 FL SS REG TYPE-B	
20	AG562047	2	BOLT 0.25-20NCX 0.50 SS HHD	
21	AG562053	4	WASHER 0.50 LK SS REG	
22	AG562062	4	BOLT 0.50-13NCX 1.00 SS HHD	
23	AG562074	4	WASHER 0.31 FL SS REG TYPE-B	
24	AG562076	4	BOLT 0.31-18NCX 1.00 SS HHD	
25	502977D1	1	PLATE-DOOR	
26	502981D1	1	WLDMT-CABINET,AUTOGUIDE	
27	503062D1	1	BRACKET-MOUNTING,AUTOGUIDE	
28	503568D1	1	PLATE-SUPPORT,AUTOGUIDE,RG	



134179-03-N523-02.TIF

INSTL-HYD VALVE-VIU,RG

ITEM	PART #	QTY	DESCRIPTION	COMMENTS
	FOOTNOTE		ASSEMBLY DETAIL IMAGE, SEE RELATED PAGES FOR FURTHER BREAKDOWNS	

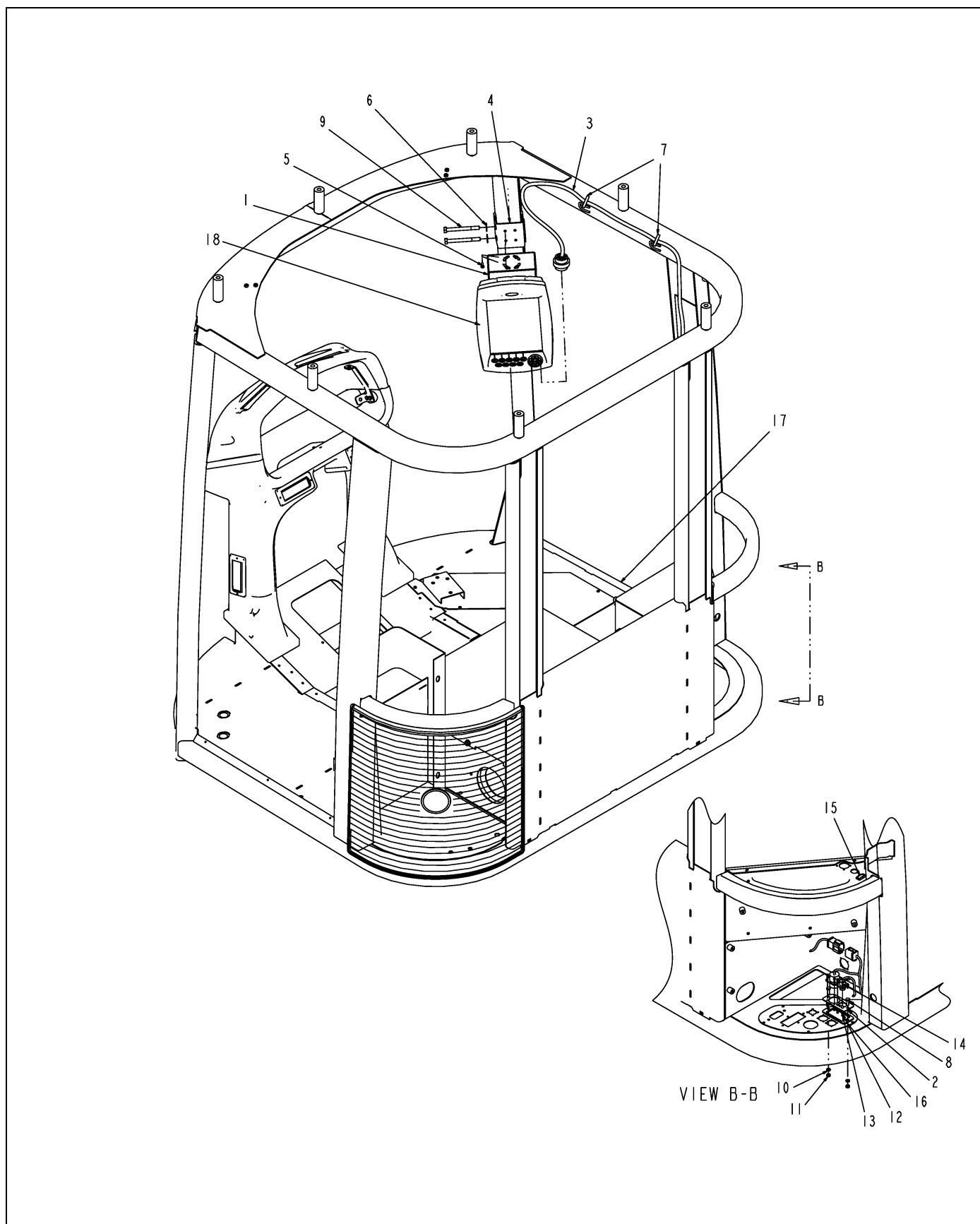


134180-01-M367-.tif

VALVE BANK-HYD,AUTOGUIDE,RG

ITEM	PART #	QTY	DESCRIPTION	COMMENTS
1	AG125848	1	SWITCH-PRESSURE 0.25F	
2	AG125849	1	ADAPTER-PRESSURE SWITCH	
3	AG129546	3	SCREW-CAP,M8X80,GR 12.9,BLACK	
4	AG129547	1	SECTION-END,PVS,NO CONNECTIONS	
5	AG129548	1	ACTUATOR-MECHANICAL,PVM	
6	AG129549	1	ACTUATOR-ON/OFF,PVEO,12V	
7	AG129550	1	SECTION-WORK,PVB	
8	AG129551	1	VALVE-DIRECTIONAL,3-WAY	
9	AG129552	1	VALVE-REDUCING,PRESSURE	
10	AG129553	1	VALVE-RELIEF	
11	AG129554	1	VALVE-RELIEF	
12	AG129555	1	SECTION B-INLET,CUSTOM,BEELINE	
13	AG129556	2	PLUG-HEX,-6	
14	AG520880	3	WASHER-FL,M8,ZN,REG	
15	AG560693	2	ADAP STR 0.37MO-R X 0.37MJIC	SEE PAGE 5-10
16	AG561308	2	ADAP STR 0.50MO-R X 0.37MJIC	
17	AG561391	1	TEE 0.37FJIC SW X 0.37MJIC(2)	
18	AG561629	1	ELBOW -6FJS90X -6MJ	
19	AG562009	2	ADAP STR 0.25MO-R X 0.37MJIC	

CONTROLLER INSTL-RAVEN VIPER

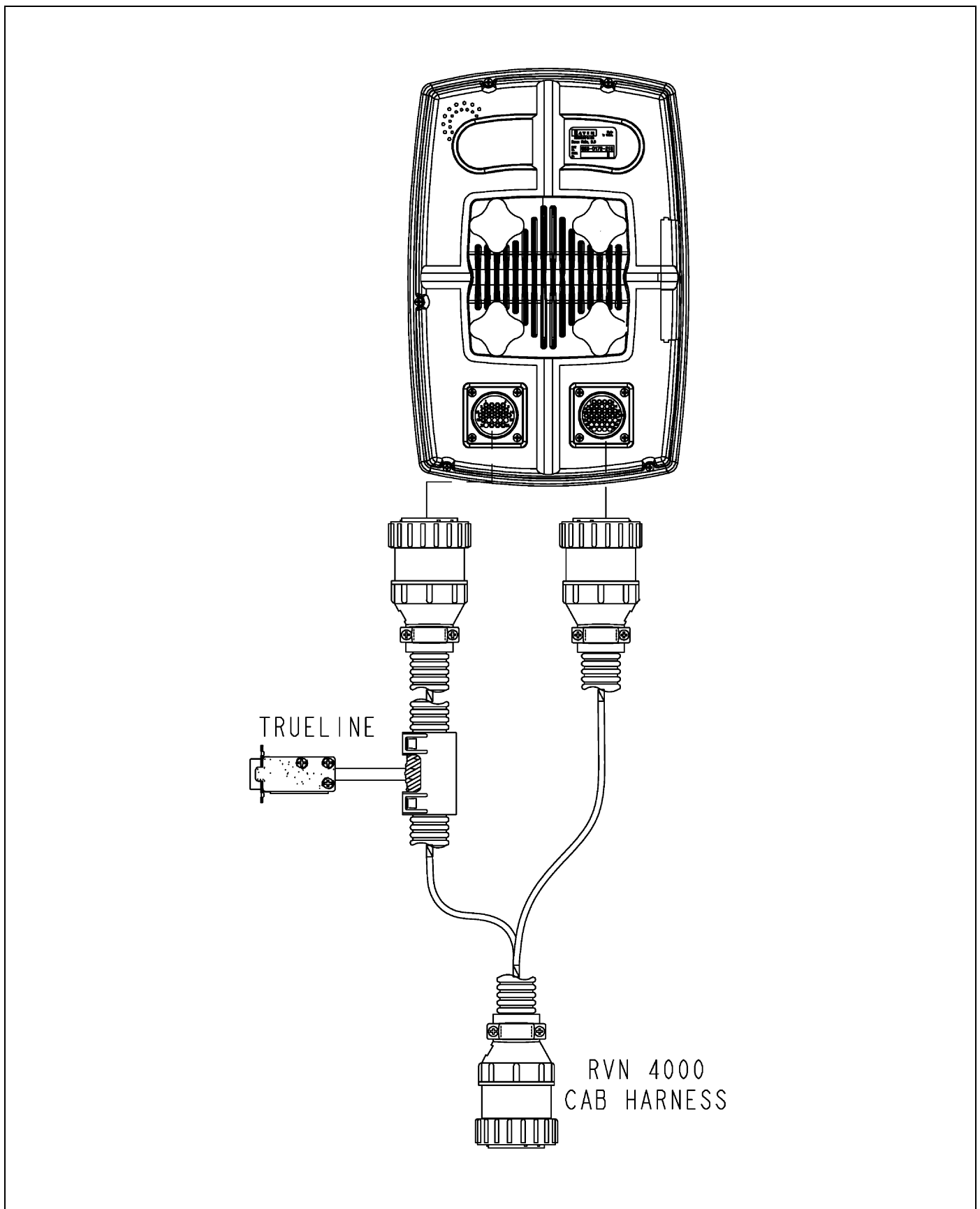


136296-06-N901.TIF

CONTROLLER INSTL-RAVEN VIPER

ITEM	PART #	QTY	DESCRIPTION	COMMENTS
1	AG127137	1	BRKT WLDMT-CONSOLE MOUNT	
2	AG136223	1	PLATE-BLKHD,RAVEN	
3	AG136332	1	HARNES-CONSOLE,RAVEN 4K/VIPER	
4	AG326925	1	CLAMP WLDMT-MTG,CTRL/MONITOR	
5	AG523508	4	SCR-M5-0.8X16,CL10.9,BLK,BHHS	
6	AG551007	2	WASHER 0.37 FL ZN REG TYPE-B	
7	AG553557	AR	TIE CABLE 7.37 .06-1.37 BLACK	
8	AG562327	2	BOLT M6-1.00X20MM G8.8 ZN HHD	
9	AG562364	2	BOLT M10-1.5X100MM G8.8 ZN HHD	
10	AG562792	2	WASHER LOCK M6 SPRING ZN	
11	AG562793	2	NUT HEX M6 X 1.00	
12	AG563174	8	WASHER #4 FL SS NAR TYPE-B	
13	AG563175	8	NUT #4-40NC HEX SS REG NY	
14	AG710181	8	SCREW #4-40 X .50LG PAN HD SS	
15	505218D1	1	PLUG	
16	507775D1	1	GASKET-PLATE,BLKHD	
17	512221D1	1	NODE INSTL-BOOM/SPEED,RVN	SEE PAGE 14-11
18	515186D1	1	KIT-CONSOLE,VIPER	

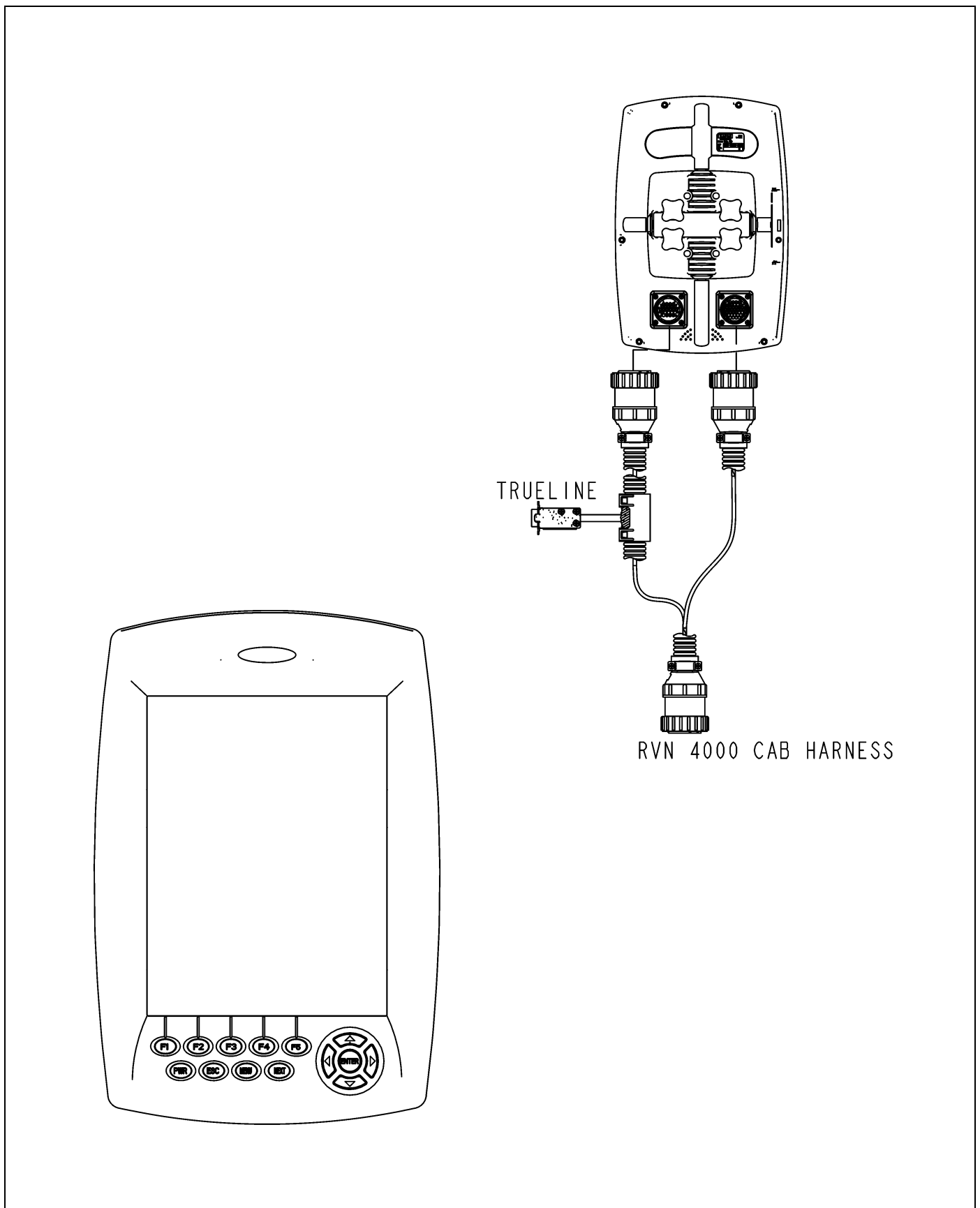
CONSOLE KIT-VIPER W/CABLE,1VRA



131382-A-L863-.tif

CONSOLE KIT-VIPER W/CABLE,1VRA

ITEM	PART #	QTY	DESCRIPTION	COMMENTS
0	AG131376	1	SOFTWARE-VIPER,SINGLE VRA	
0	AG131378	1	MANUAL-OPR,RVN VIPER	
0	AG131379	1	FLASHDISK-64 MEG	
0	AG131383	1	HARN-ADAPT,VIPER TO RVN4000	
0	506138D1	1	CONSOLE KIT-VIPER, R/B 131382	SEE PAGE 14-6

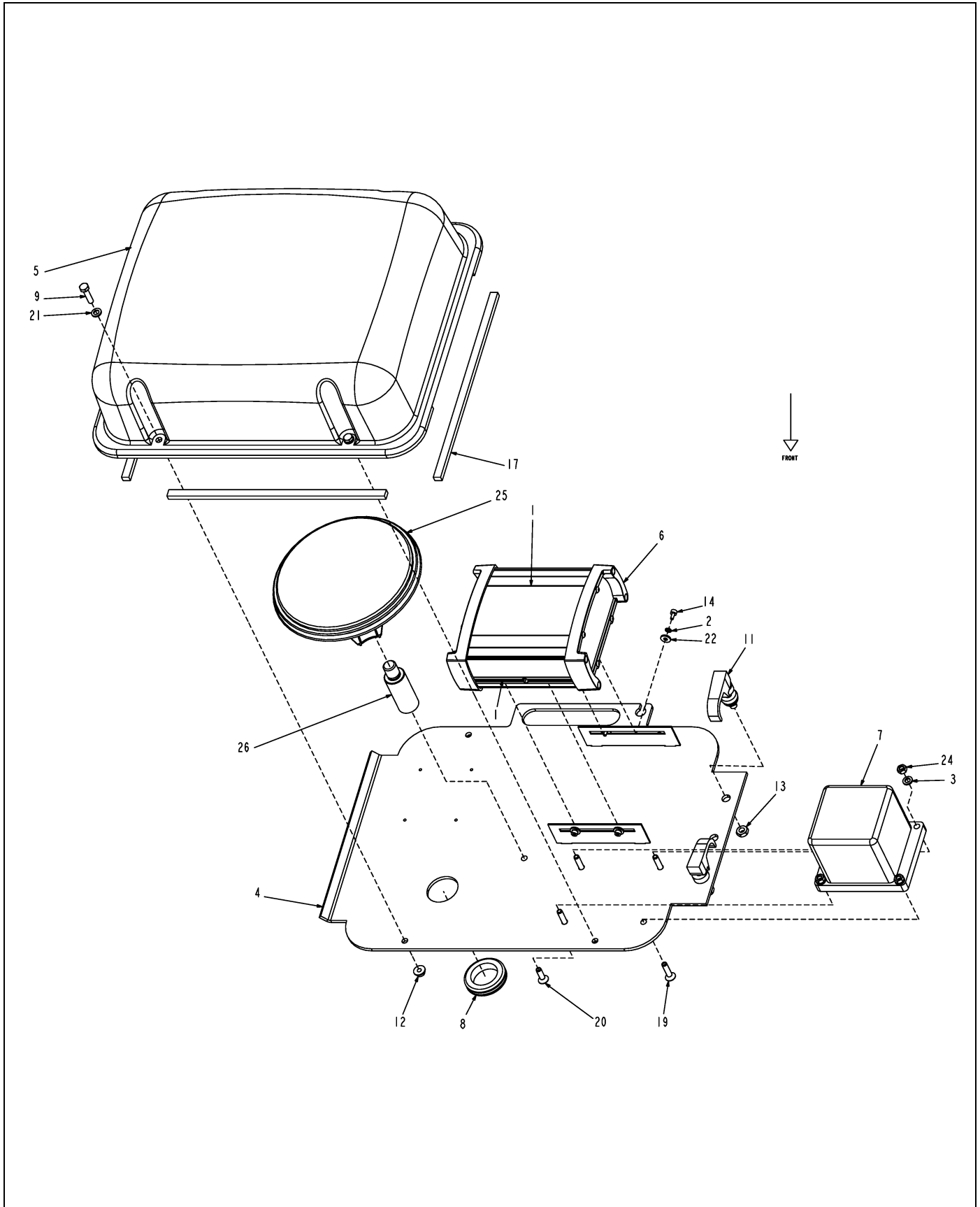


506138D1-01-M852-.TIF

CONSOLE KIT-VIPER,VER SPN

ITEM	PART #	QTY	DESCRIPTION	COMMENTS
0	AG131376	1	SOFTWARE-VIPER,SINGLE VRA	
0	AG131378	1	MANUAL-OPR,RVN VIPER	
0	AG131379	1	FLASHDISK-64 MEG	
0	AG131383	1	HARN-ADAPT,VIPER TO RVN4000	
0	AG136736	1	CONSOLE-RVN VIPER R/B 727381	

AUTO-GUIDE TOP DOCK

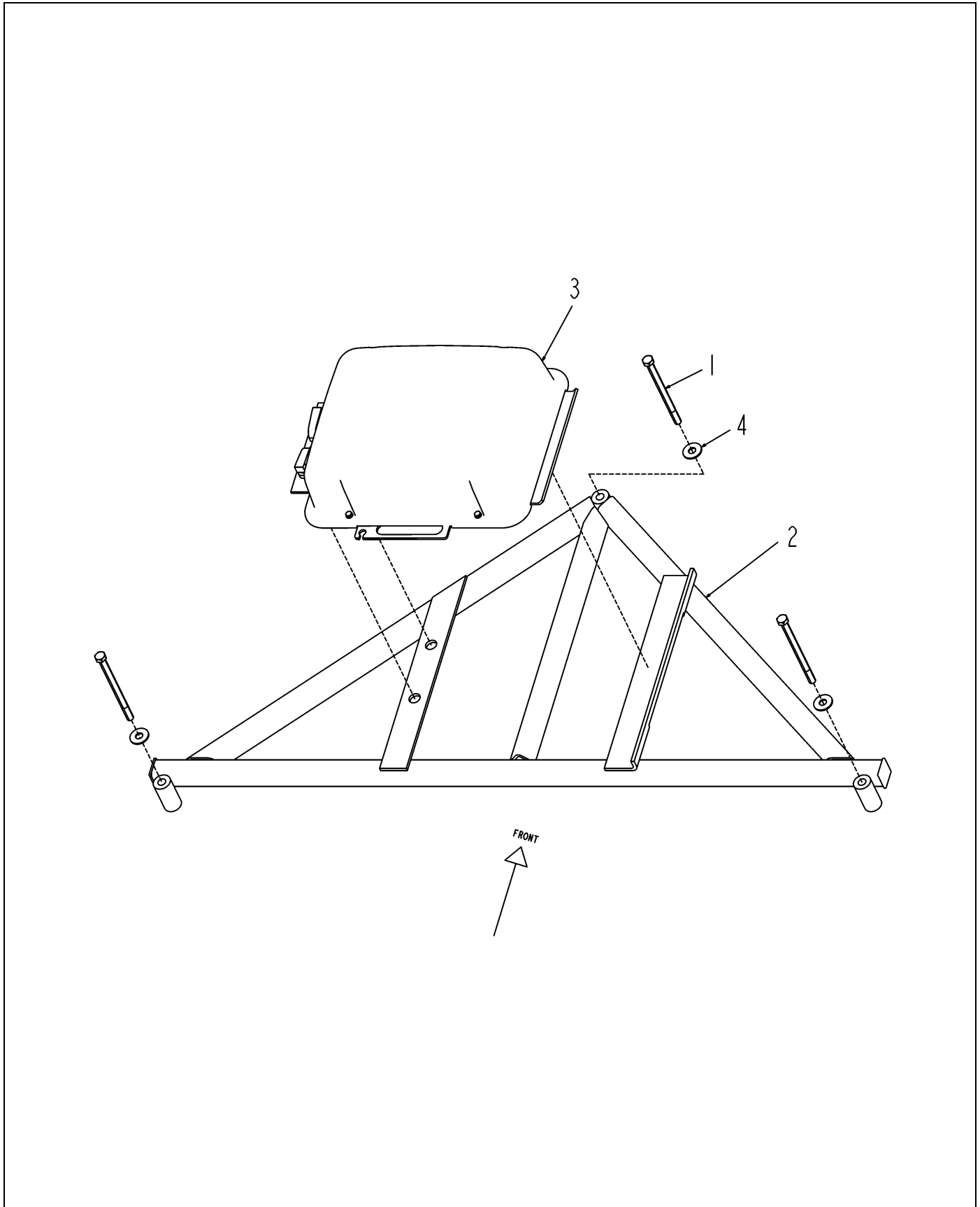


129525-05-N459-.TIF

AUTO-GUIDE TOP DOCK

ITEM	PART #	QTY	DESCRIPTION	COMMENTS
1	WR55070	4	NUT-HEX,M4 CL10	
2	WR55102	4	WASHER-LOCK SPRING,4MM ID	
3	WR55104	4	WSHR-LK SPRNG,6MM ID R/B562792	
4	AG129526	1	BASE PLATE ASM	
5	AG129529	1	TOP-DOCK LID	
6	AG129531	1	GPS RECEIVER	
7	AG129532	1	GYROSCOPE	
8	AG129534	1	GROMMET	
9	AG129535	4	BOLT M6 X 1 X 25 FTC R/B133899	
10	AG129537	1	HARNES,RECEIVER TO DMU	
11	AG129539	2	LATCH-SWELL	
12	AG129540	4	NUT M6 X1.0,FL,NYLOC	
13	AG129542	2	NUT 5/16-24 HJN GR2	
14	AG129543	4	SCREW M4, 0.7 X 8	
15	AG129557	1	HARNES-CAN CABLE TOP DOCK	
16	AG132409	1	HARNES-GPS ANTENNA	
17	AG132436	4	SEAL-TOPDOCK LID	
18	AG132465	1	SOFTWARE-B3 CONTROLLER	
19	AG133899	5	SCREW-FLHD M6X1X25 MM	
20	AG133994	1	SCREW-FLHD M6X1X20 MM	
21	AG520879	4	WASHER-FLAT,M6,ZN,REG	
22	AG524123	4	WASHER-FL,M4,ZN,REG	
23	AG553557	AR	TIE CABLE 7.37 .06-1.37 BLACK	
24	AG562793	4	NUT HEX M6 X 1.00	
25	72571055	1	MOUNT AS.-ANTENNA	
26	72571115	1	MOUNT - GPS ANTENNA	

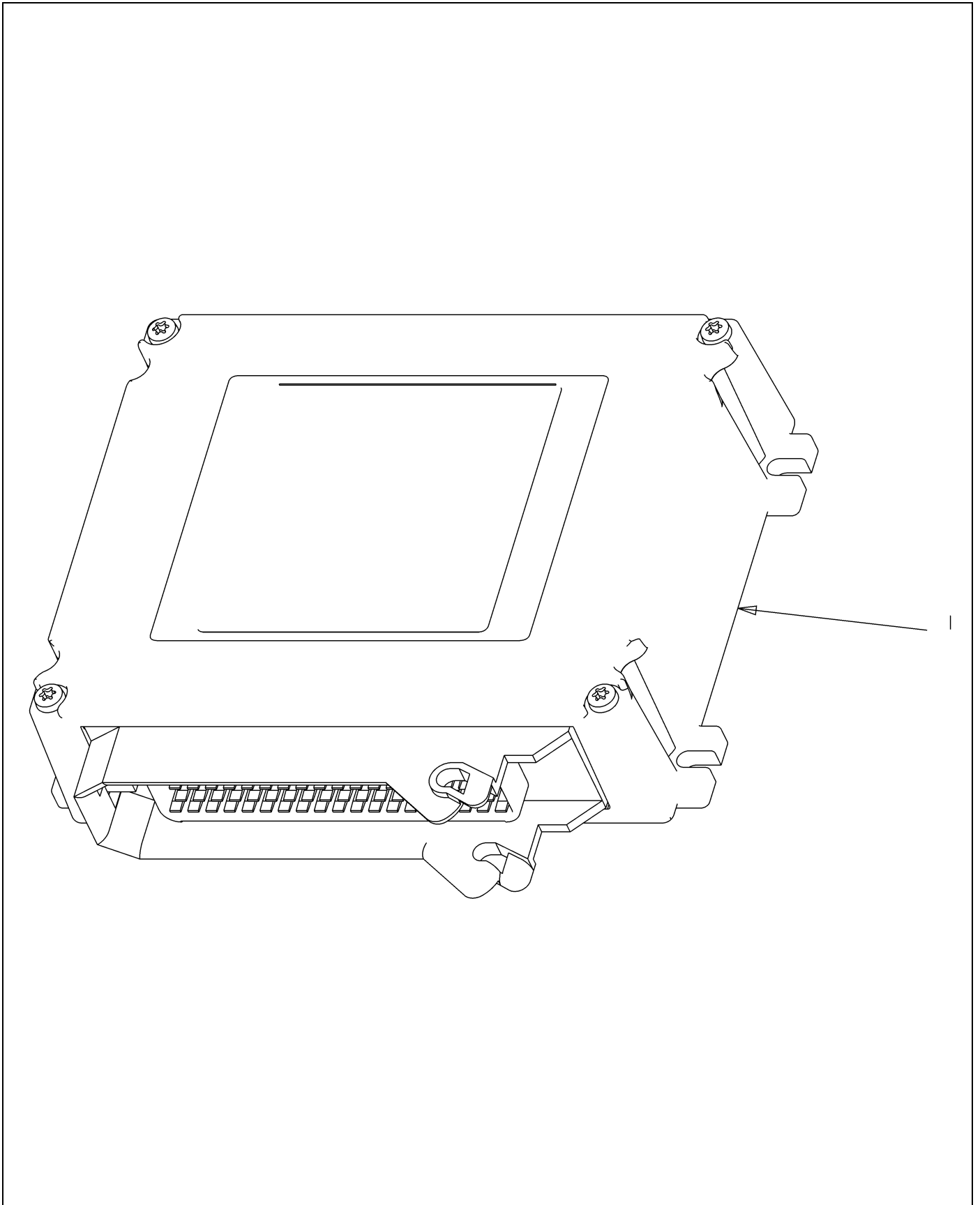
BRACKET INSTL-CAB, TOPDOCK



125703-D.TIF

BRACKET INSTL-CAB, TOPDOCK

ITEM	PART #	QTY	DESCRIPTION	COMMENTS
1	WR55065	3	SCREW-CAP HEX M12 X 170	
2	AG125863	1	BRACKET-CAB, TOPDOCK	
3	AG129525	1	AUTO-GUIDE TOP DOCK	SEE PAGE 14-7
4	AG562790	3	WASHER FL METRIC#12 GEN PUR ZN	

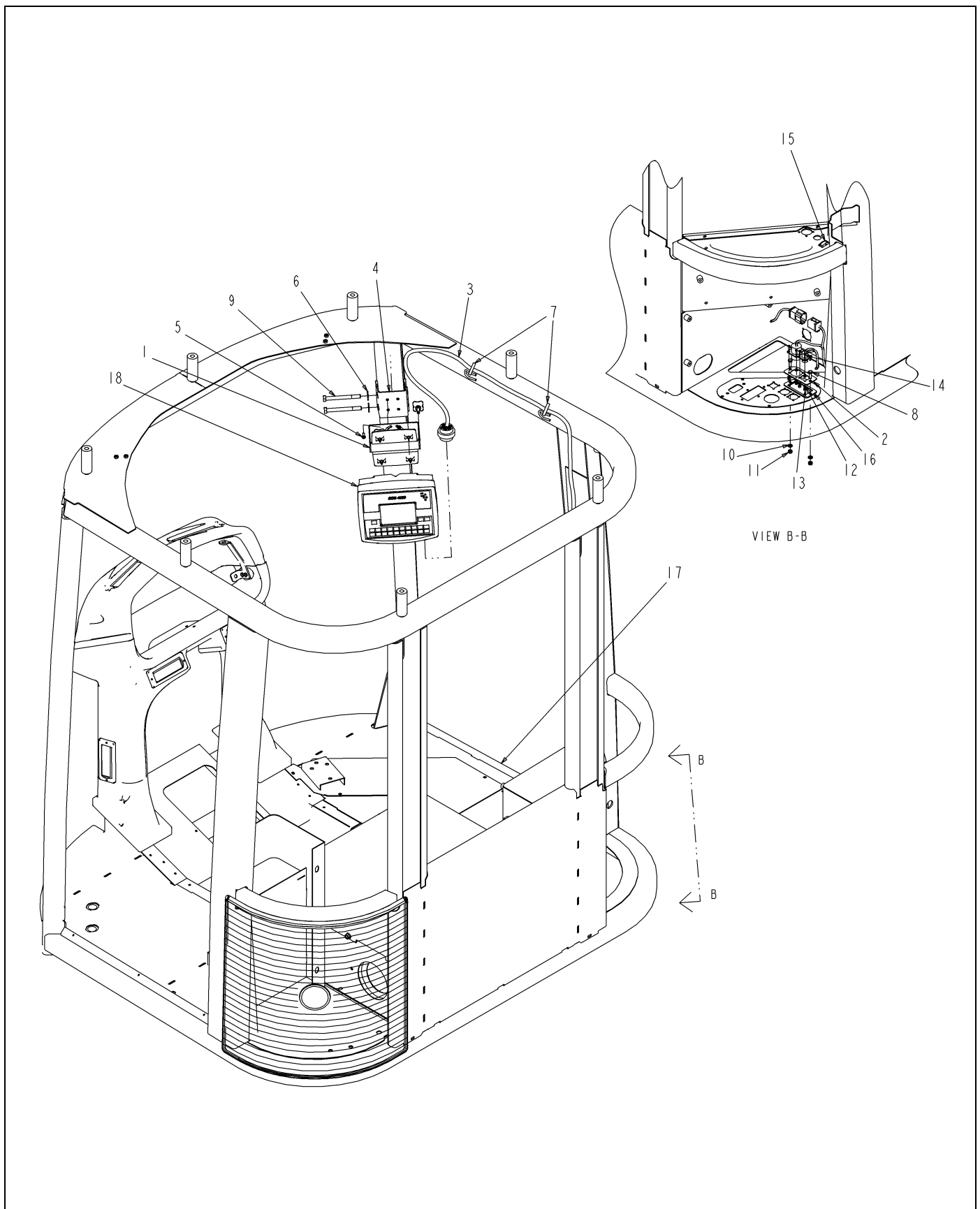


133992.TIF

VIU KIT

ITEM	PART #	QTY	DESCRIPTION	COMMENTS
0	AG132499	1	SOFTWARE,VIU,AG	
1	AG125707	1	VIU-BEELINE,AUTOGUIDE	

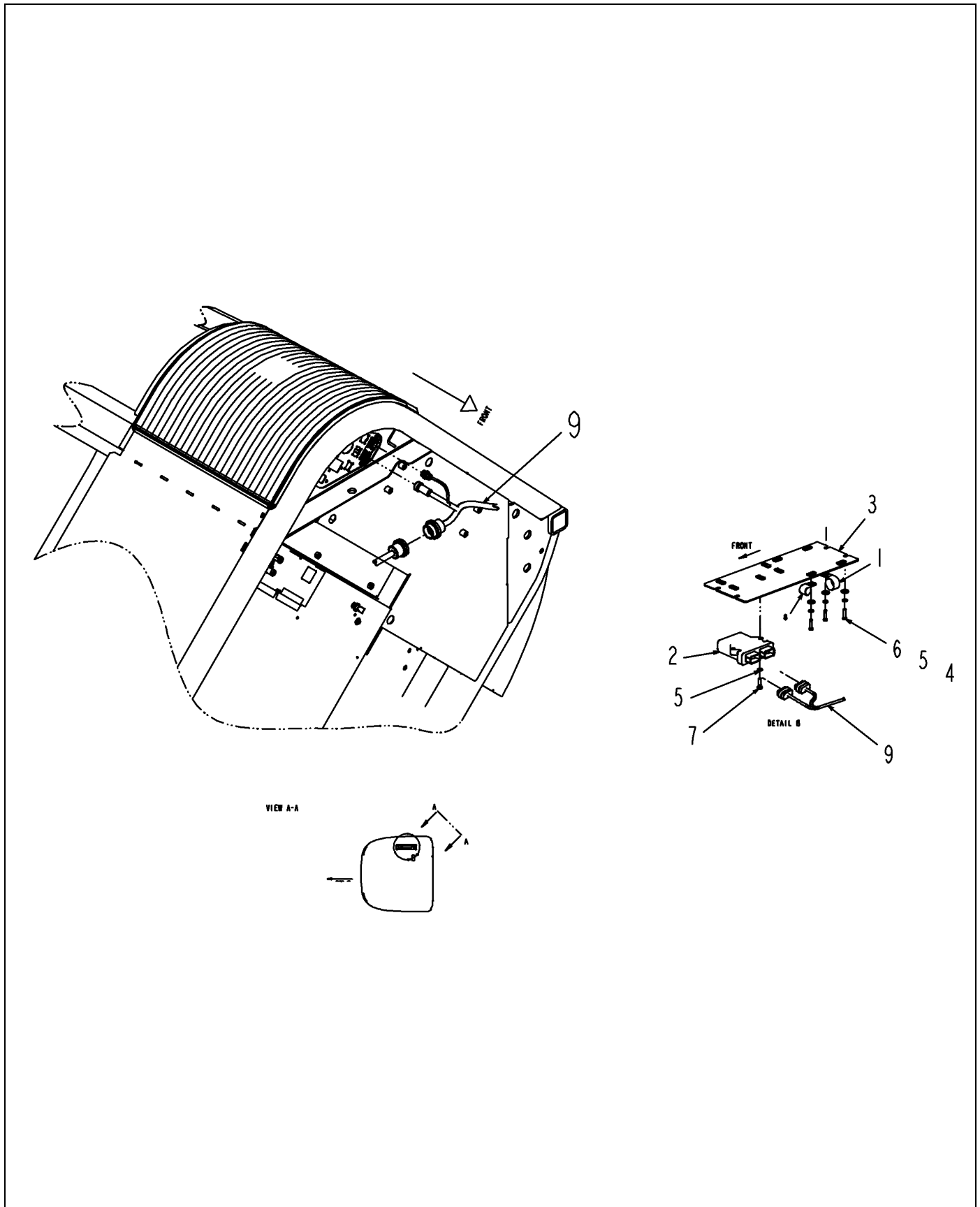
CONTROLLER INSTL-RAVEN 4000



136295-05-R225-.TIF

CONTROLLER INSTL-RAVEN 4000

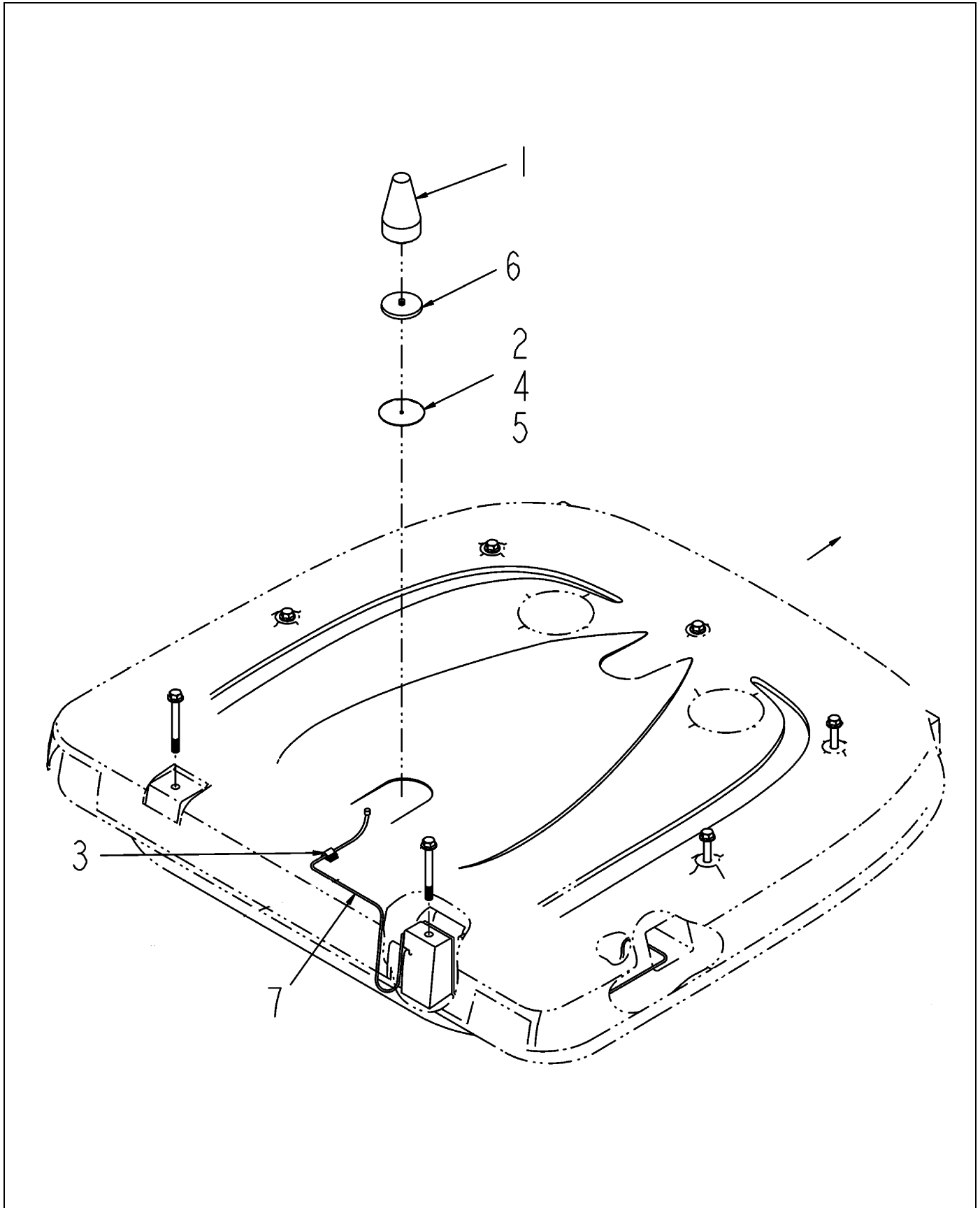
ITEM	PART #	QTY	DESCRIPTION	COMMENTS
1	AG127137	1	BRKT WLDMT-CONSOLE MOUNT	
2	AG136223	1	PLATE-BLKHD,RAVEN	
3	AG136332	1	HARNES-CONSOLE,RAVEN 4K/VIPER	
4	AG326925	1	CLAMP WLDMT-MTG,CTRL/MONITOR	
5	AG523508	4	SCR-M5-0.8X16,CL10.9,BLK,BHHS	
6	AG551007	2	WASHER 0.37 FL ZN REG TYPE-B	
7	AG553557	AR	TIE CABLE 7.37 .06-1.37 BLACK	
8	AG562327	2	BOLT M6-1.00X20MM G8.8 ZN HHD	
9	AG562364	2	BOLT M10-1.5X100MM G8.8 ZN HHD	
10	AG562792	2	WASHER LOCK M6 SPRING ZN	
11	AG562793	2	NUT HEX M6 X 1.00	
12	AG563174	8	WASHER #4 FL SS NAR TYPE-B	
13	AG563175	8	NUT #4-40NC HEX SS REG NY	
14	AG710181	8	SCREW #4-40 X .50LG PAN HD SS	
15	505218D1	1	PLUG	
16	507775D1	1	GASKET-PLATE,BLKHD	
17	512221D1	1	NODE INSTL-BOOM/SPEED,RVN	SEE PAGE 14-11
18	518447D1	1	CONSOLE-RAVEN 5000	



512221D1-03-R358-.TIF

NODE INSTL-BOOM/SPEED,RVN

ITEM	PART #	QTY	DESCRIPTION	COMMENTS
1	AG010359	1	CLAMP LOOM 1.25 PER DWG	
2	AG126233	1	NODE-BOOM/SPEED,RVN	
3	AG423671	1	PLATE WLDMT-MTG,NODE	
4	AG515121	5	WASHER 0.25 FL SS REG TYPE-B	
5	AG515122	7	WASHER 0.25 LK SS REG	
6	AG522068	5	BOLT-M6-1.0X25,SS,HHD	
7	AG562064	2	BOLT 0.25-20NCX 1.00 SS HHD	
8	AG562237	1	CLAMP CTD 0.75IDX0.75WIDE	
9	512220D1	1	HARNESS-NODE,BOOM/SPEED,RVN	

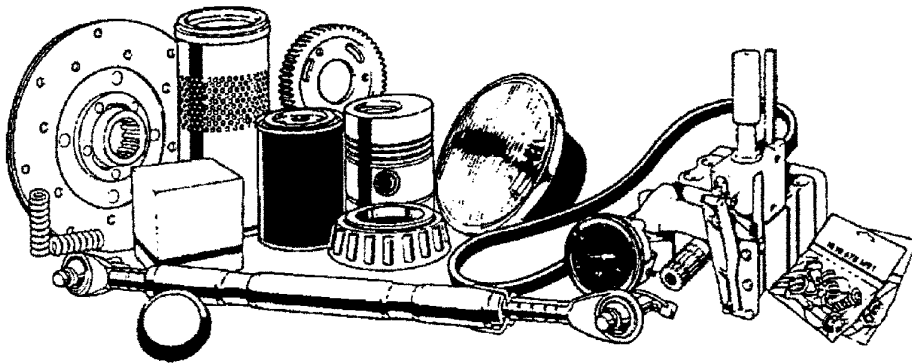


413114-B-1.tif

ANTENNA INSTL-STRLNK

ITEM	PART #	QTY	DESCRIPTION	COMMENTS
1	AG610619	-	ANTENNA-STRLNK,GPS/DGPS(523353	SEE PAGE 14-13
2	AG120615	1	DISC-MTG,ANTENNA,GPS	
3	AG562938	3	CABLE CLIP .50 ADH BACK SVR MT	
4	AG523201	-	TAPE-ADHESIVE,4.00,HIGH BOND [BULK: 0.330 FT]	
5	AG523200	-	3M 94 1/2 PT TAPE PRIMER	
6	AG610621	-	MAGNET-MTG,ANTENNA (523353)	
7	AG610620	-	CABLE-ANTENNA,15FT (523335)	

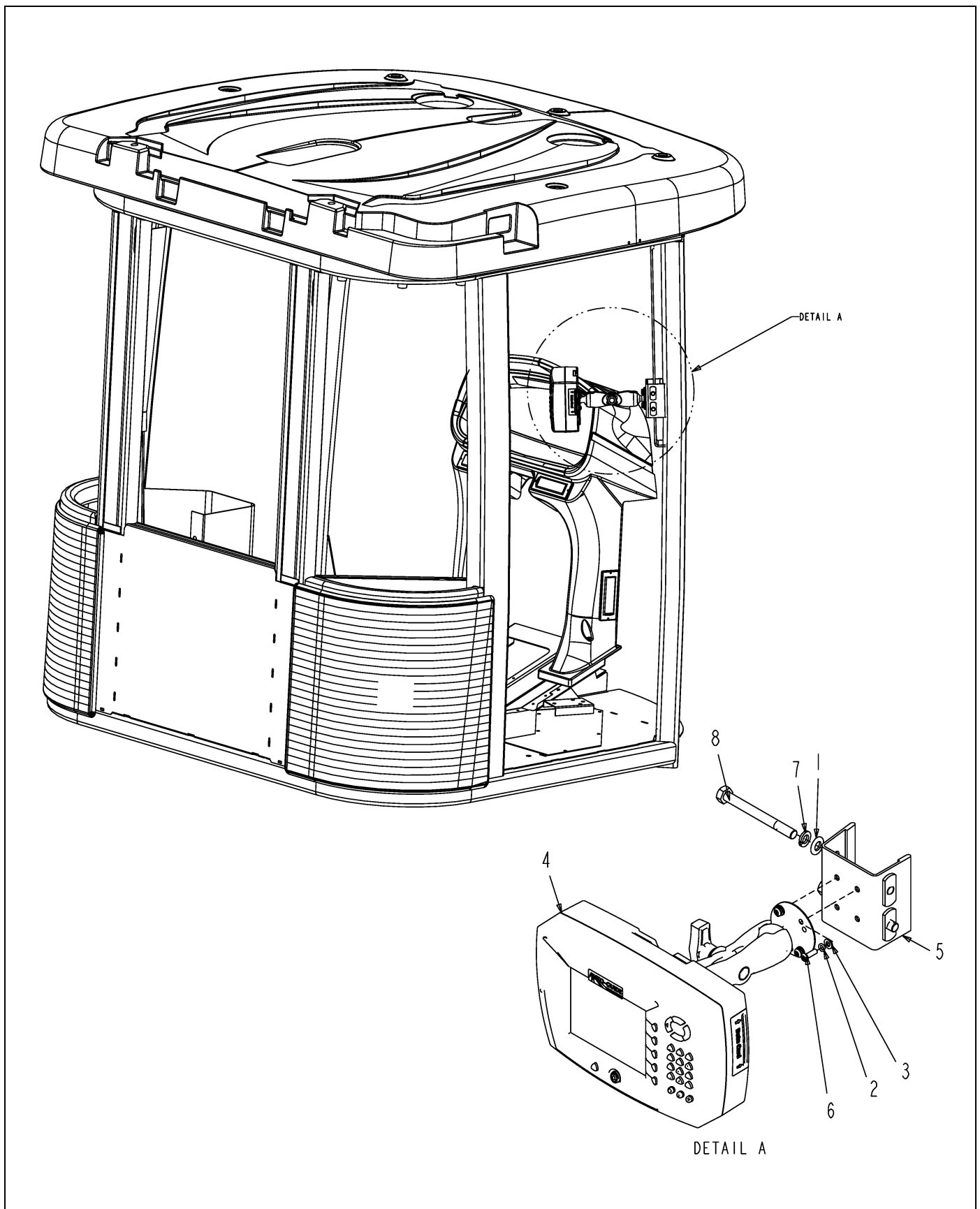
**Please refer to the
Bill Of Material
on the opposite page
for related Installations,
Assemblies, or Parts**



610619-A.TIF

ANTENNA-STRLNK,GPS/DGPS(523353

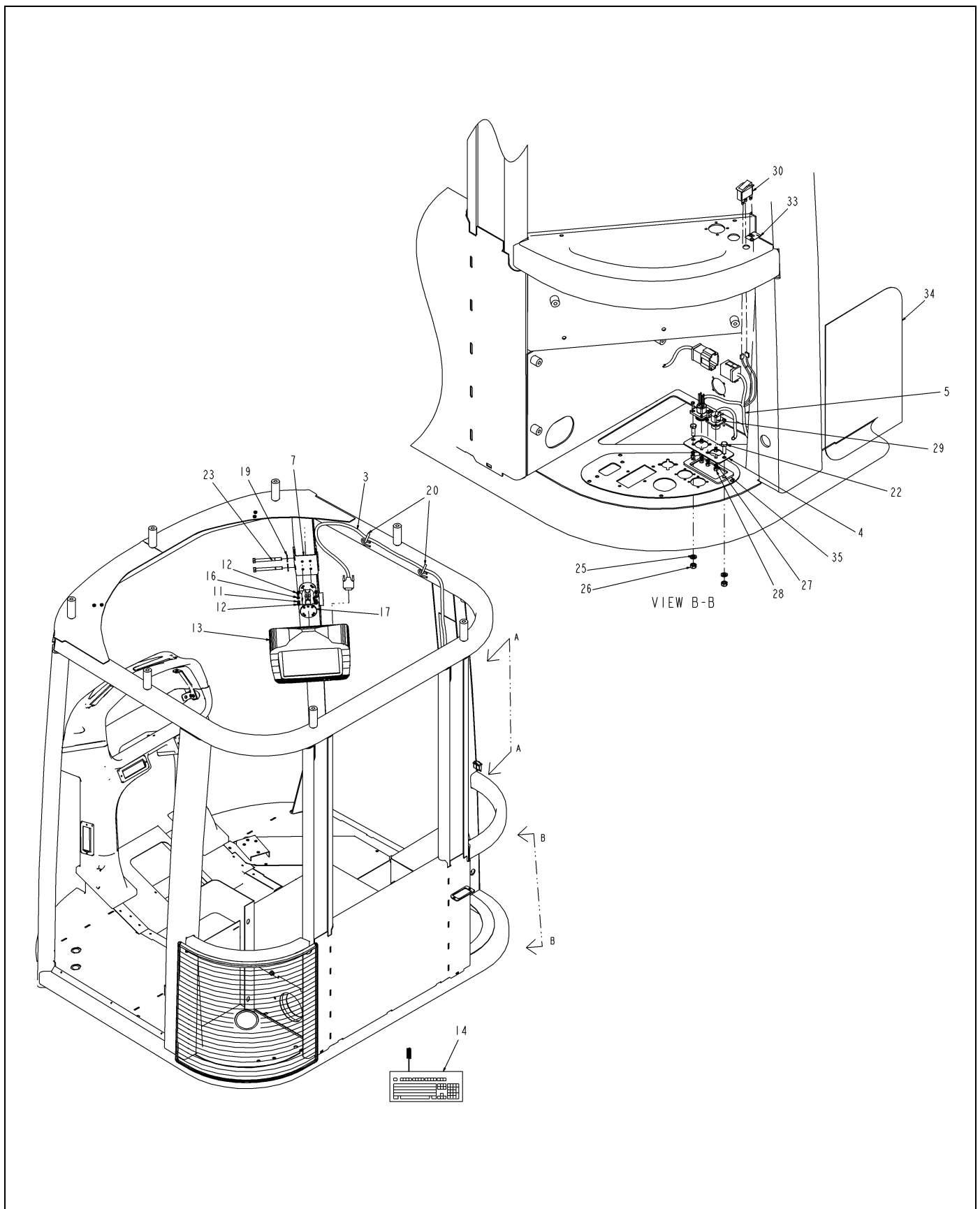
ITEM	PART #	QTY	DESCRIPTION	COMMENTS
0	AG137145	1	ANT. CABLE/25FT	



503365D1-03-N975-.TIF

INSTL-BRACKET,TERMINAL

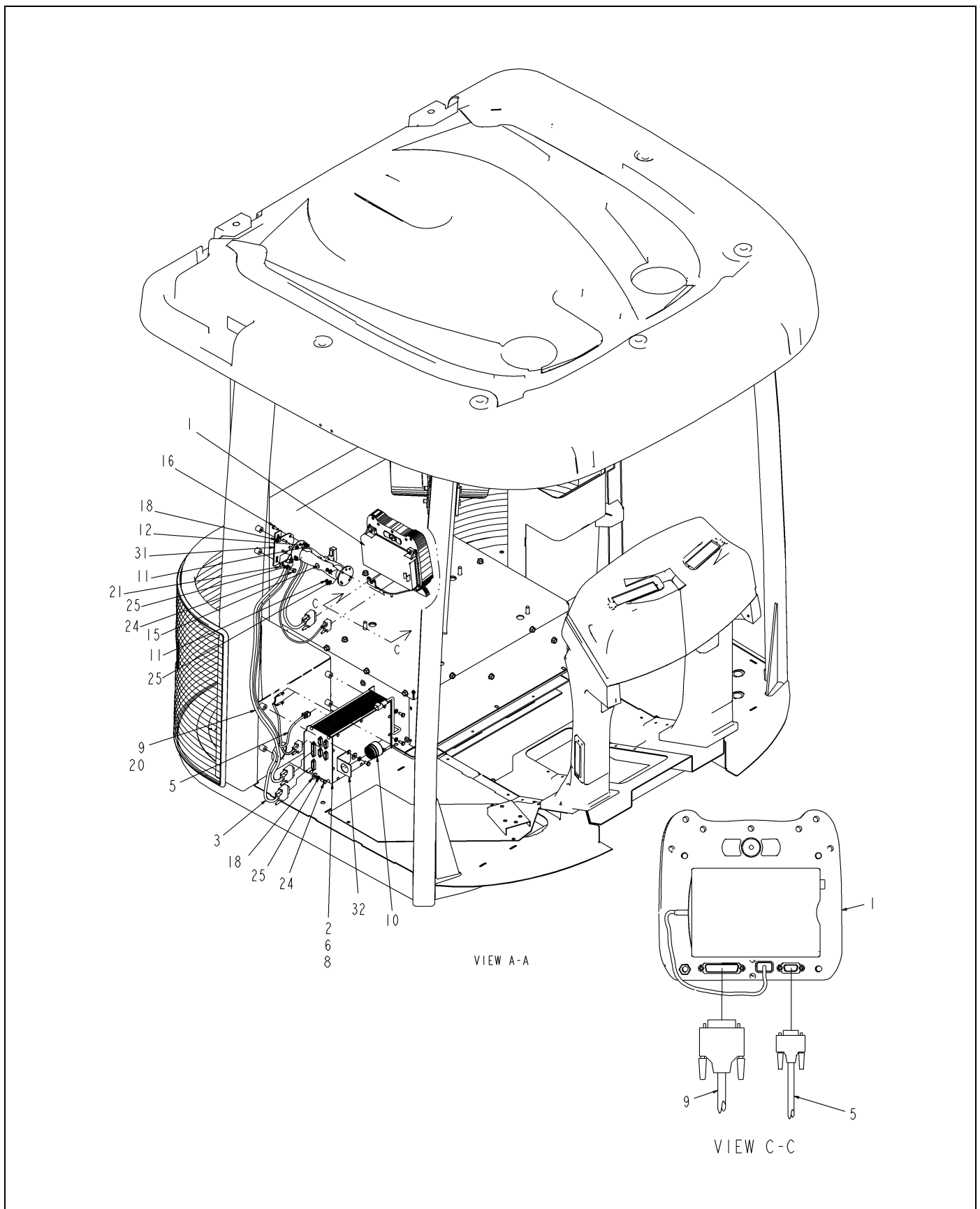
ITEM	PART #	QTY	DESCRIPTION	COMMENTS
1	WR55075	2	WASHER-FL,M10,ZN,REG	
2	AG125889	4	WASHER-SPRING,M5,ZINC	
3	AG125890	4	WASHER FLAT,M5X100ODX1THK,ZINC	
4	AG133891	1	TERMINAL KIT	SEE PAGE 14-33
5	AG326925	1	CLAMP WLDMT-MTG,CTRL/MONITOR	
6	AG523508	4	SCR-M5-0.8X16,CL10.9,BLK,BHHS	
7	AG550191	2	WASHER 0.37 LK ZN REG	
8	AG562364	2	BOLT M10-1.5X100MM G8.8 ZN HDD	



503539D1-04-R245-01.TIF

CAB ASM-CONT,FLCN II

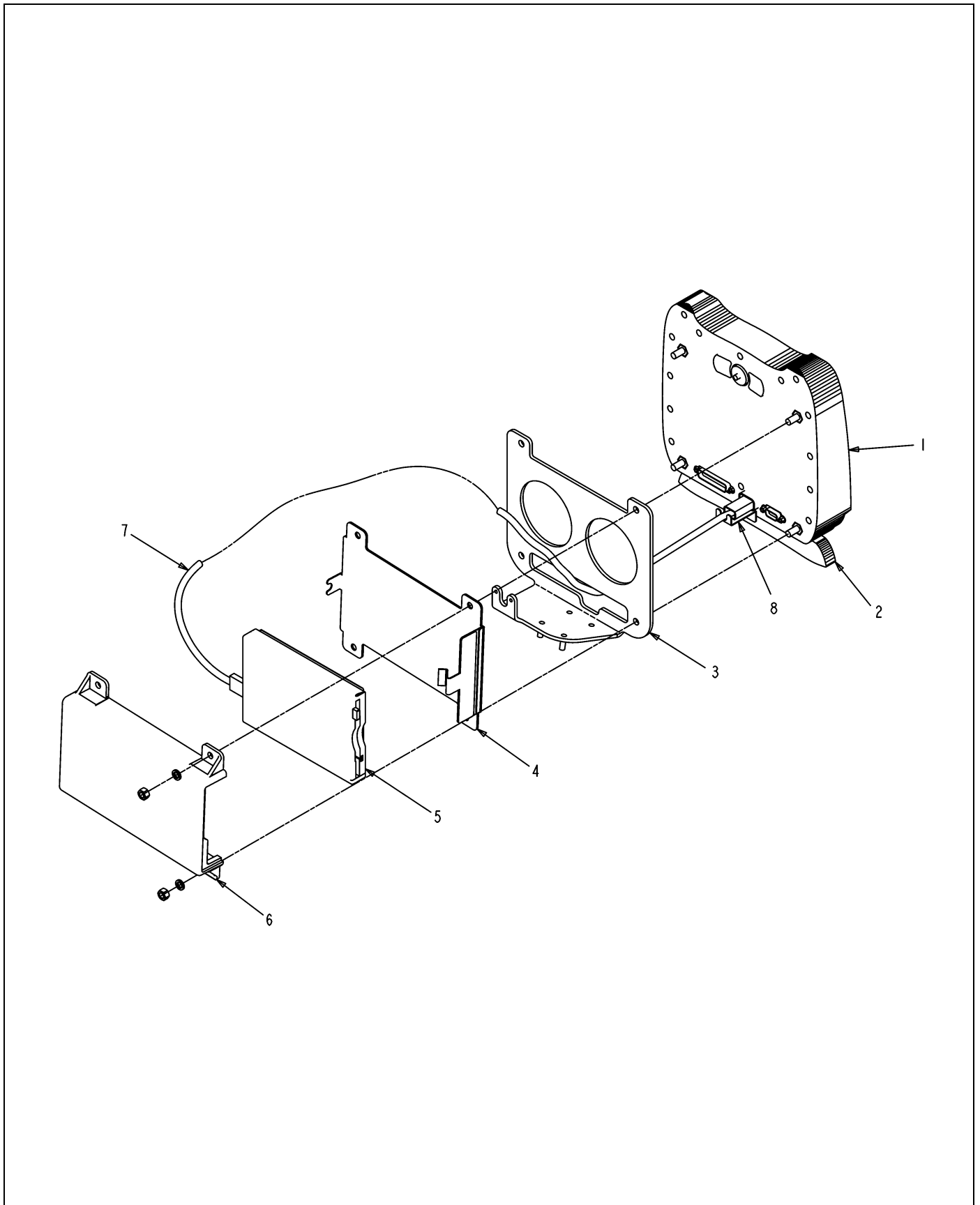
ITEM	PART #	QTY	DESCRIPTION	COMMENTS
3	AG126441	1	HARNES-MONITOR,FLCN II,120.00	
4	AG136222	1	PLATE-BLKHD,FALCON	
5	AG136351	1	HARNES-CAB,FLCN II	
7	AG326925	1	CLAMP WLDMT-MTG,CTRL/MONITOR	
11	AG522246	12	NUT-M5-0.8,SS,H	
12	AG522247	12	WASHER-LK,M5,SS,REG	
13	AG522992	1	MONITOR-FLCN II	
14	AG523407	1	KEYBOARD-COMP,PS2	
16	AG523508	8	SCR-M5-0.8X16,CL10.9,BLK,BHHS	
17	AG523549	1	CLAMP ASM-MTG,BALL,4.00	
19	AG551007	2	WASHER 0.37 FL ZN REG TYPE-B	
20	AG553557	AR	TIE CABLE 7.37 .06-1.37 BLACK	
22	AG562327	2	BOLT M6-1.00X20MM G8.8 ZN HHD	
23	AG562364	2	BOLT M10-1.5X100MM G8.8 ZN HHD	
25	AG562792	12	WASHER LOCK M6 SPRING ZN	
26	AG562793	2	NUT HEX M6 X 1.00	
27	AG563174	8	WASHER #4 FL SS NAR TYPE-B	
28	AG563175	8	NUT #4-40NC HEX SS REG NY	
29	AG710181	8	SCREW #4-40 X .50LG PAN HD SS	
30	503694D1	1	SWITCH-RKR,ON-ON,OTTO	
33	504615D1	1	DECAL-SWITCH,FLCN II	
34	505190D1	1	DECAL - GLASS	
35	507775D1	1	GASKET-PLATE,BLKHD	



503539D1-04-R245-02.TIF

CAB ASM-CONT,FLCN II

ITEM	PART #	QTY	DESCRIPTION	COMMENTS
1	AG122317	1	KEYBOARD ASM-FLCN II	SEE PAGE 14-17
2	AG122318	1	SERVER-FLCN II+	
3	AG126441	1	HARNES-MONITOR,FLCN II,120.00	
5	AG136351	1	HARNES-CAB,FLCN II	
6	AG262316	1	SOFTWARE PKG-FLCN CONTROL	SEE PAGE 14-18
8	AG327156	1	SHEET INSTL-NODE SEQ	
9	AG423570	1	HARNES-KEYBOARD,FLCN II	
10	AG512451	1	SONALERT	
11	AG522246	12	NUT-M5-0.8,SS,H	
12	AG522247	12	WASHER-LK,M5,SS,REG	
15	AG523464	1	CLAMP ASM-MTG,BALL,7.50	
16	AG523508	8	SCR-M5-0.8X16,CL10.9,BLK,BHHS	
18	AG550507	3	WASHER 0.25 FL ZN REG TYPE-B	
20	AG553557	AR	TIE CABLE 7.37 .06-1.37 BLACK	
21	AG561489	1	CLAMP 0.75 COATED HOSE	
24	AG562639	6	BOLT M6 1.00X12MM G8.8 ZN HHD	
25	AG562792	12	WASHER LOCK M6 SPRING ZN	
31	503973D1	1	BRKT-MTG,KYBD,FLCN II	
32	503974D1	1	BRKT-MTG,ALARM,FLCN	
	FOOTNOTE [A]		AG135093 - DRIVE-SOLID STATE, FALCON II +	

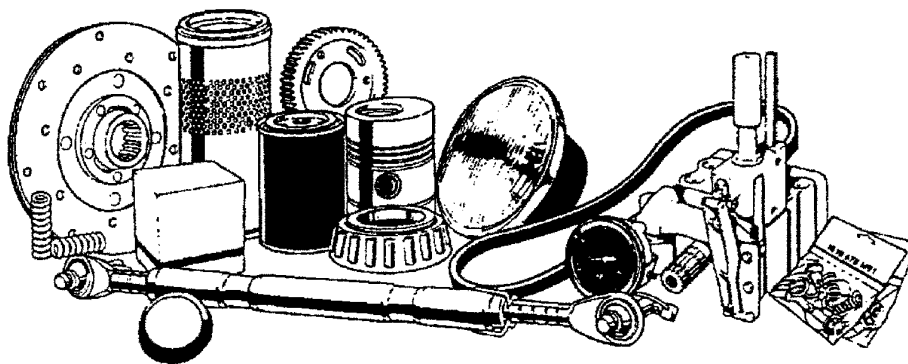


122317-A-1.TIF

KEYBOARD ASM-FLCN II

ITEM	PART #	QTY	DESCRIPTION	COMMENTS
1	AG129927	-	KEYBOARD-FLCN II	
2	AG610616	-	DOOR-KEYBOARD (523349)	
3	AG425228	-	BRKT-MTG,KEYBOARD,FLCN II	
4	AG523433	-	DOOR/GASKET ASM-FLOPPY 326992	
5	AG523326	-	DISC DRIVE-3.50 FLOPPY,USB	
6	AG523340	-	ENCLOSURE-DRIVE,FLOPPY	
7	AG261218	-	HARNESS-FLOPPY DRIVE,USB	
8	AG523434	-	CLAMP-CABLE,USB 326992	

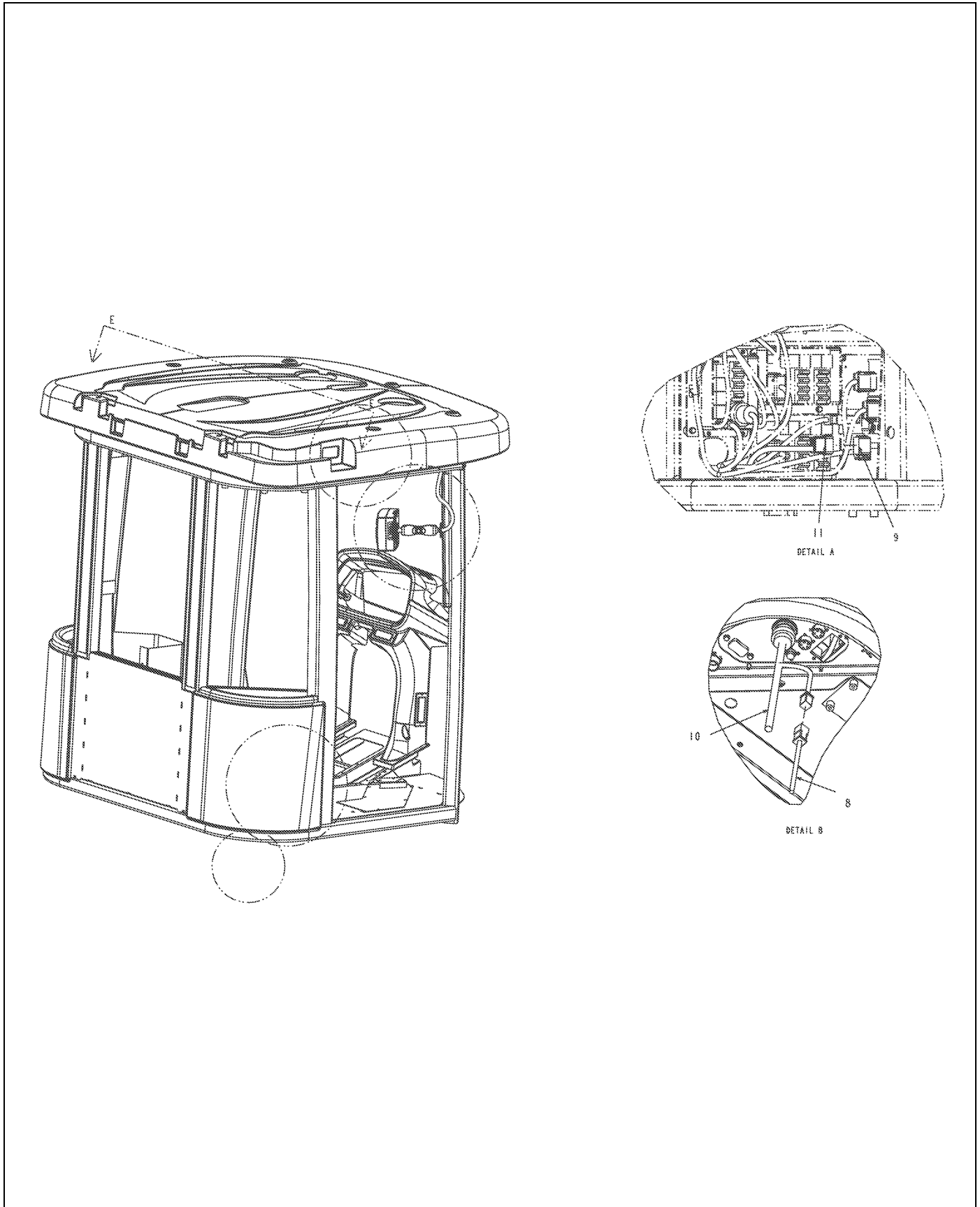
**Please refer to the
Bill Of Material
on the opposite page
for related Installations,
Assemblies, or Parts**



262316-09-M709.tif

SOFTWARE PKG-FLCN CONTROL

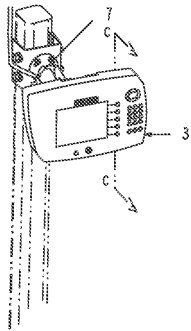
ITEM	PART #	QTY	DESCRIPTION	COMMENTS
1	AG054173	1	PROTECTOR SHEET POLY 9X11.25	
2	AG134109	1	SOFTWARE-FLCN II,VERSION 2.2	



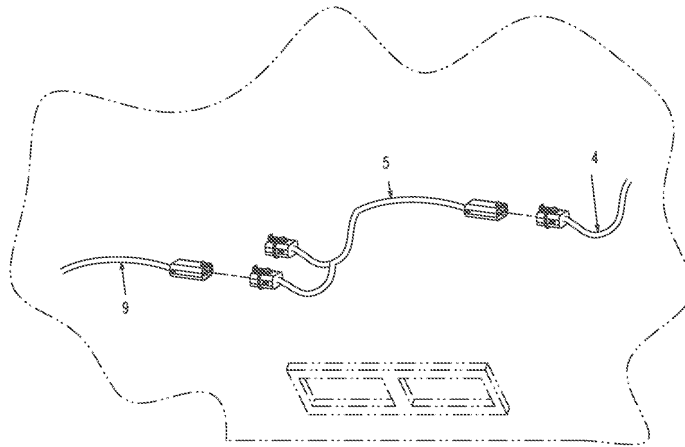
504822D1-03-N547-01.TIF

HARN INSTL-CAB,AUTOGUIDE,RG

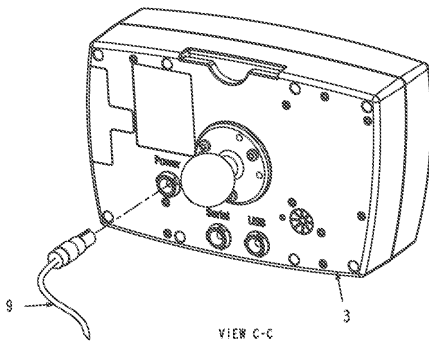
ITEM	PART #	QTY	DESCRIPTION	COMMENTS
6	AG135421	1	SWITCH INSTL-AUTOGUIDE	SEE PAGE 14-23
8	503032D1	1	HARNESS-VIU,9203,TG	
9	503094D1	1	HARNESS-CAB,AUTOGUIDE	
10	503993D1	-	HARNESS-ENG ELECTRONICS,CHAS	
11	512665D1	-	HARNESS-ADAPTER,1274C	



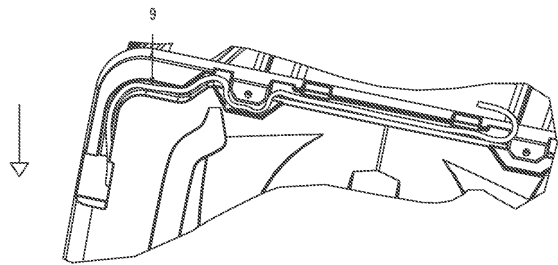
DETAIL C



DETAIL D



VIEW C-C

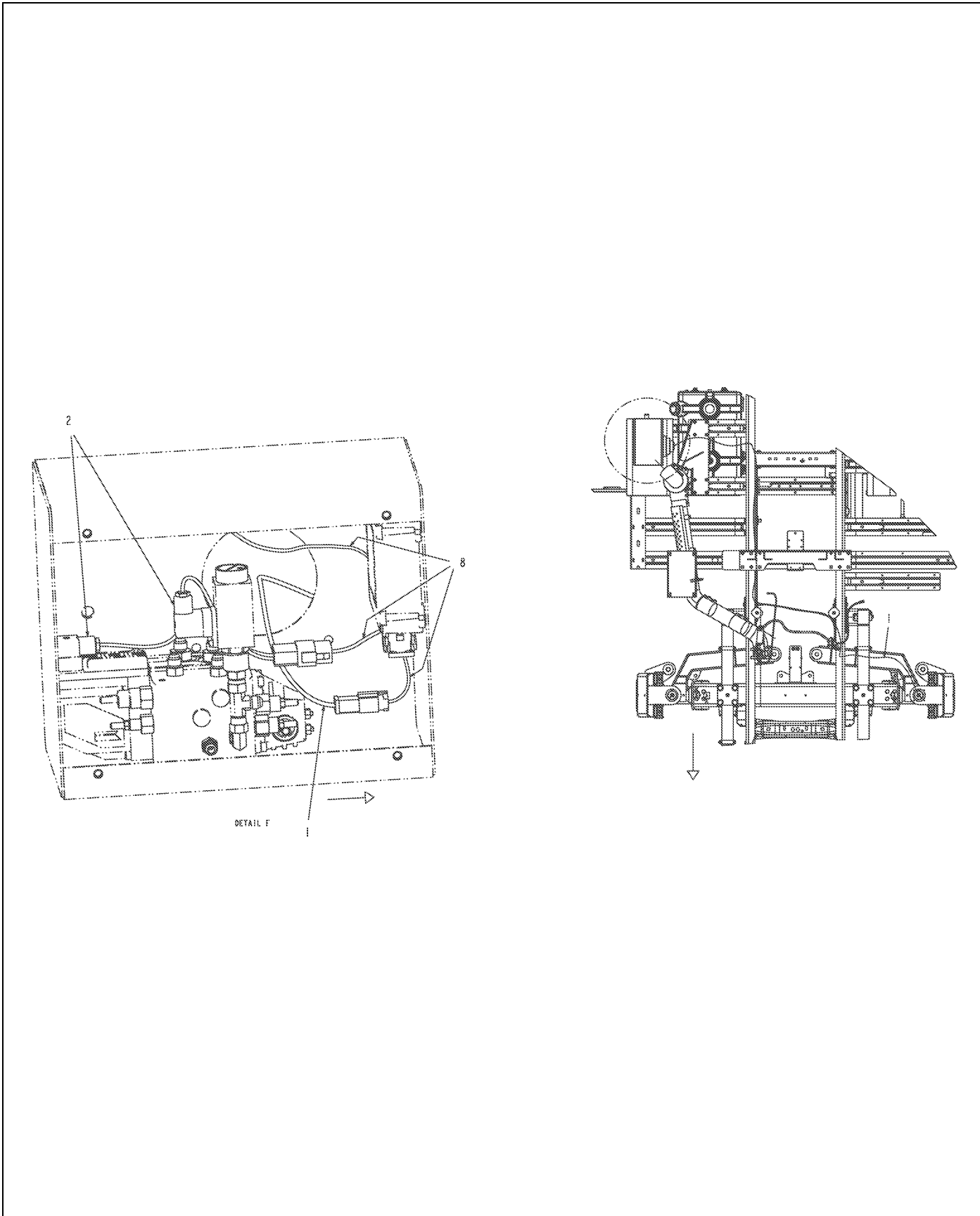


VIEW E-E

504822D1-03-N547-02.TIF

HARN INSTL-CAB,AUTOGUIDE,RG

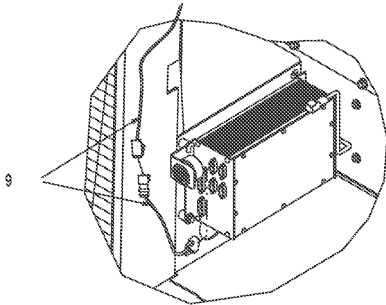
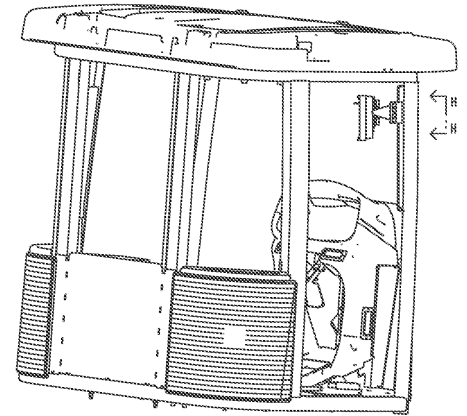
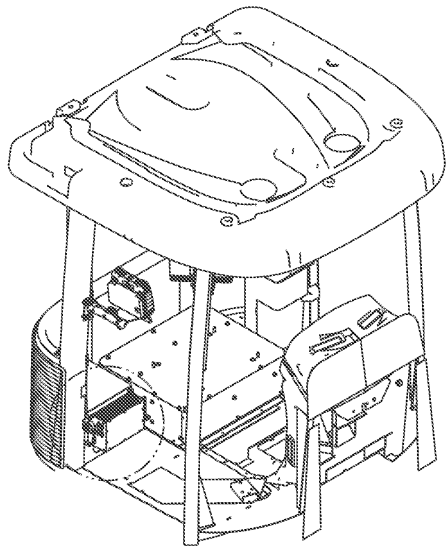
ITEM	PART #	QTY	DESCRIPTION	COMMENTS
3	AG129560	-	AUTO-GUIDE TERMINAL	
4	AG131425	-	HARNES-ROOF,MAIN	
5	AG134156	1	HARNES-ADAPTOR,T,GPS	
7	AG553557	AR	TIE CABLE 7.37 .06-1.37 BLACK	
9	503094D1	1	HARNES-CAB,AUTOGUIDE	



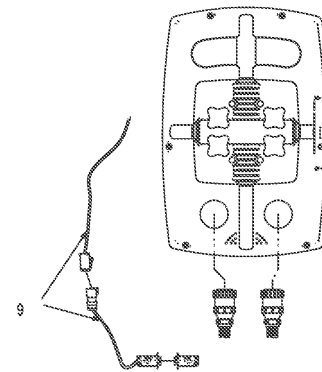
504822D1-03-N547-03.TIF

HARN INSTL-CAB,AUTOGUIDE,RG

ITEM	PART #	QTY	DESCRIPTION	COMMENTS
1	AG125706	-	HARN-WHEEL ANGLE SENSOR,TG,3WL	
2	AG125708	1	CABLE-SOLENOID	
8	503032D1	1	HARNES-VIU,9203,TG	



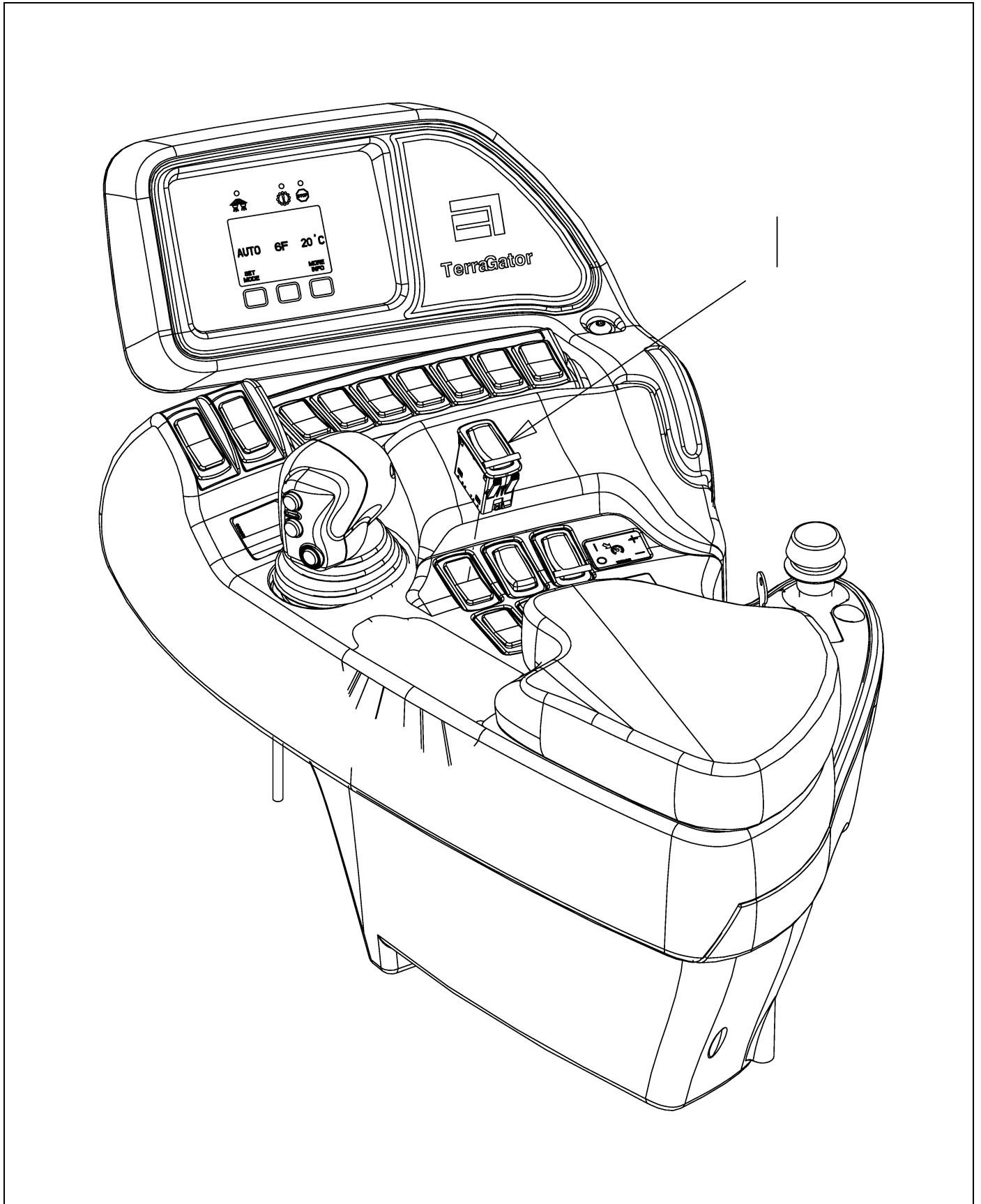
DETAIL G



504822D1-03-N547-04.TIF

HARN INSTL-CAB,AUTOGUIDE,RG

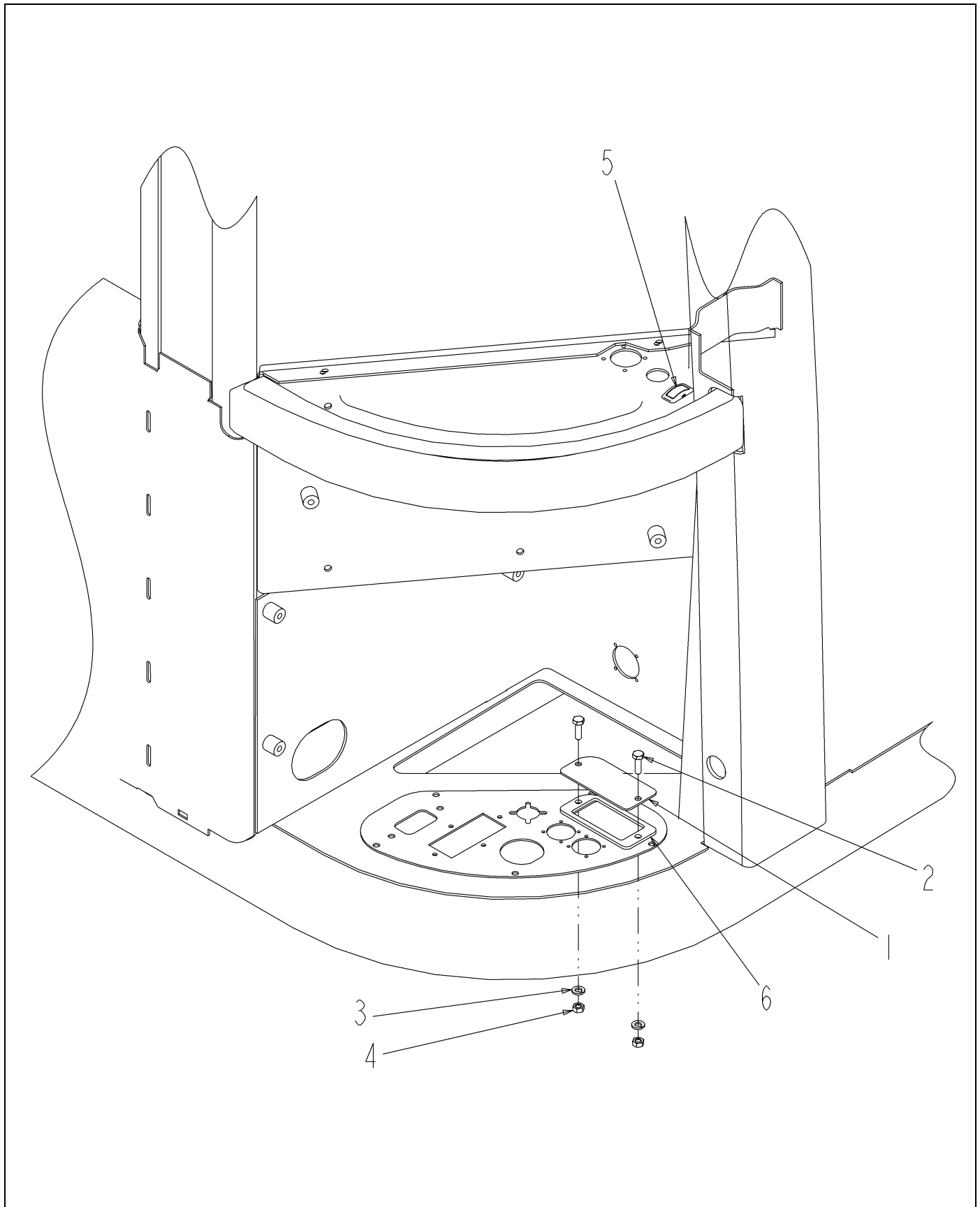
ITEM	PART #	QTY	DESCRIPTION	COMMENTS
9	503094D1	1	HARNES-CAB,AUTOGUIDE	



135421-01-M388.TIF

SWITCH INSTL-AUTOGUIDE

ITEM	PART #	QTY	DESCRIPTION	COMMENTS
1	AG129570	1	SWITCH-RKR,OFF-ON-ON,AS,CS-L	

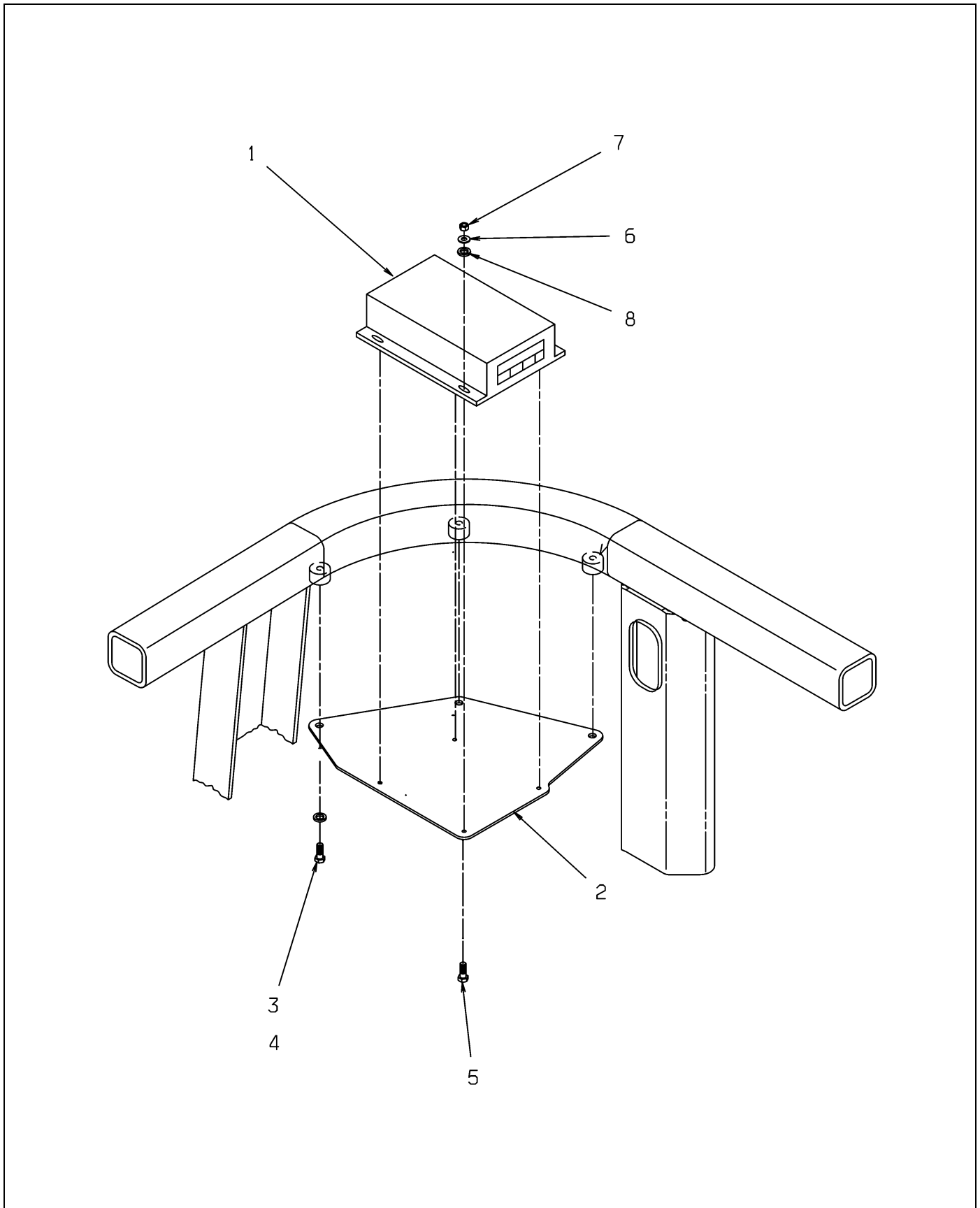


136298-03-N005.TIF

OPT-NO CONTROLLER

ITEM	PART #	QTY	DESCRIPTION	COMMENTS
1	AG136224	1	PLATE-BLKHD,BLANK	
2	AG562327	2	BOLT M6-1.00X20MM G8.8 ZN HHD	
3	AG562792	2	WASHER LOCK M6 SPRING ZN	
4	AG562793	2	NUT HEX M6 X 1.00	
5	505218D1	1	PLUG	
6	507775D1	1	GASKET-PLATE,BLKHD	

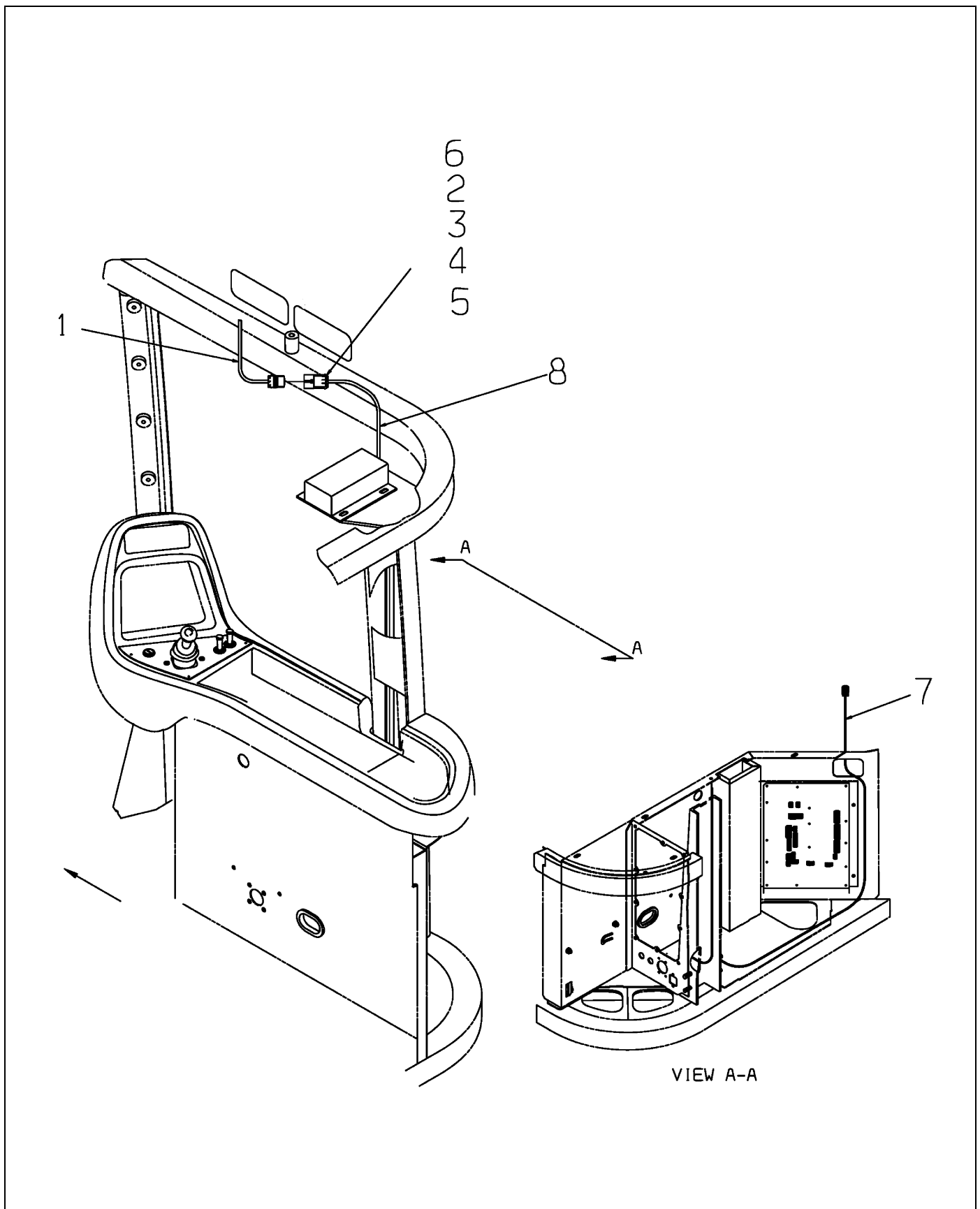
RECEIVER INSTL-10HZ,STRLNK



313737-B-1.TIF

RECEIVER INSTL-10HZ,STRLNK

ITEM	PART #	QTY	DESCRIPTION	COMMENTS
1	AG610617	-	RCVR-STRLNK,10HZ (523359)	
2	AG325309	1	BRACKET-MTG,RECEIVER	
3	AG562644	3	SCREW SOC HD CAP M8-1.25X20MM	
4	AG561679	3	WASHER LOCK M8 ZN	
5	AG550930	4	SCREW 8-32 X.75 MA ZN SL RD HD	
6	AG550914	4	WASHER #8 LK ZN REG	
7	AG550922	4	NUT #8-32NC HEX ZN REG	
8	AG562196	4	WASHER #8 FL ZN SAE TYPE-A	

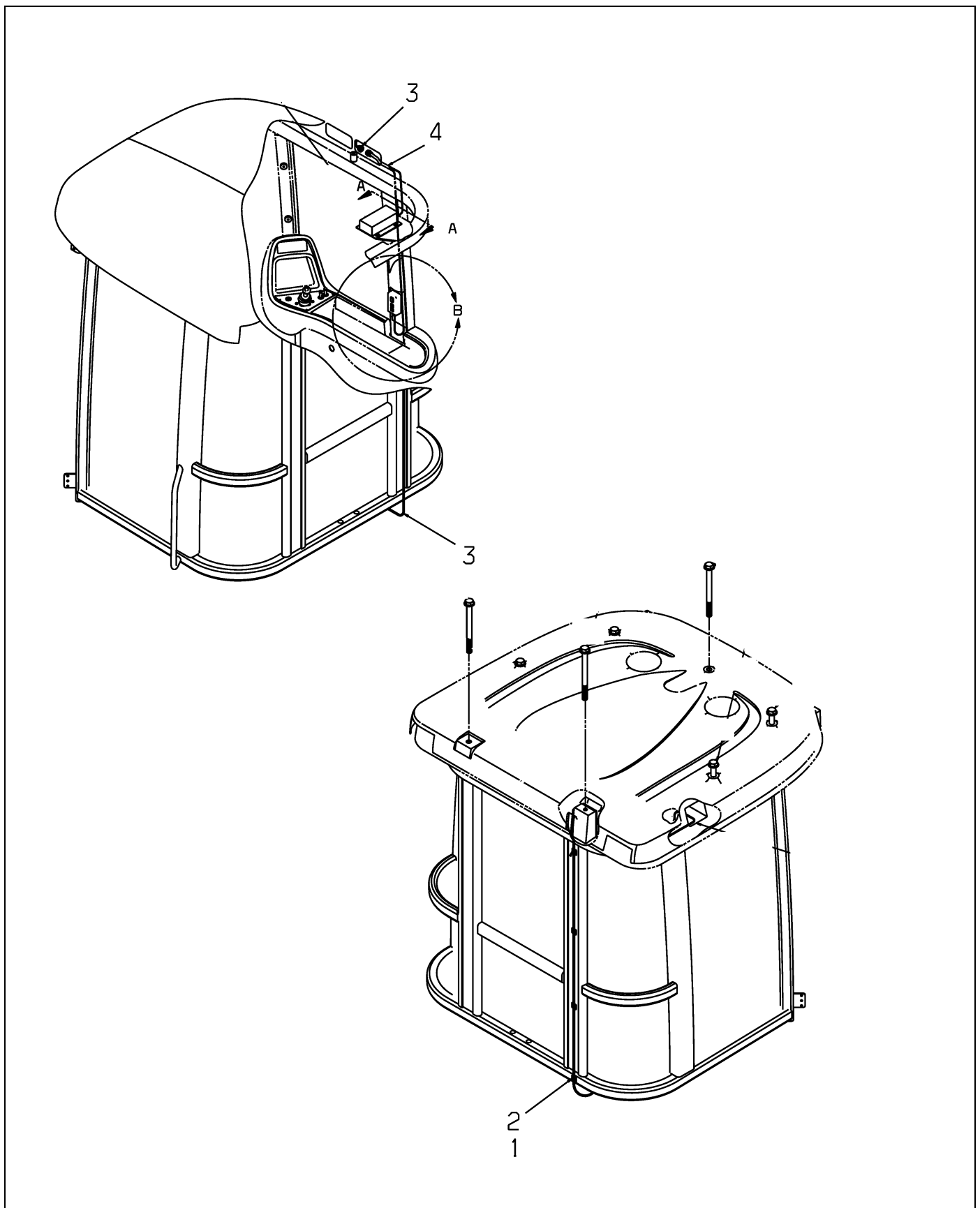


413113-D.tif

HARNESS INSTL-ANTENNA/RCVR

ITEM	PART #	QTY	DESCRIPTION	COMMENTS
1	AG501903	-	HARNESS-ROOF,INNER MAIN	
2	AG517618	1	CONNECTOR MA 3 WAY 280 SEALED	
3	AG520270	1	LOCK-METRIPACK,280/3 WAY	
4	AG515764	2	SEAL CABLE GREEN REEL 18-16 GA	
5	AG519288	2	TERM METRI-PACK M280/20-16 GA	
6	AG515766	1	CAVITY PLUG	
7	AG123946	-	CABLE-DATA,7 FT	
8	AG610624	-	CABLE-POWER,RCVR (523353)	

REMOTE BOX/CABLE INSTL-STRLNK

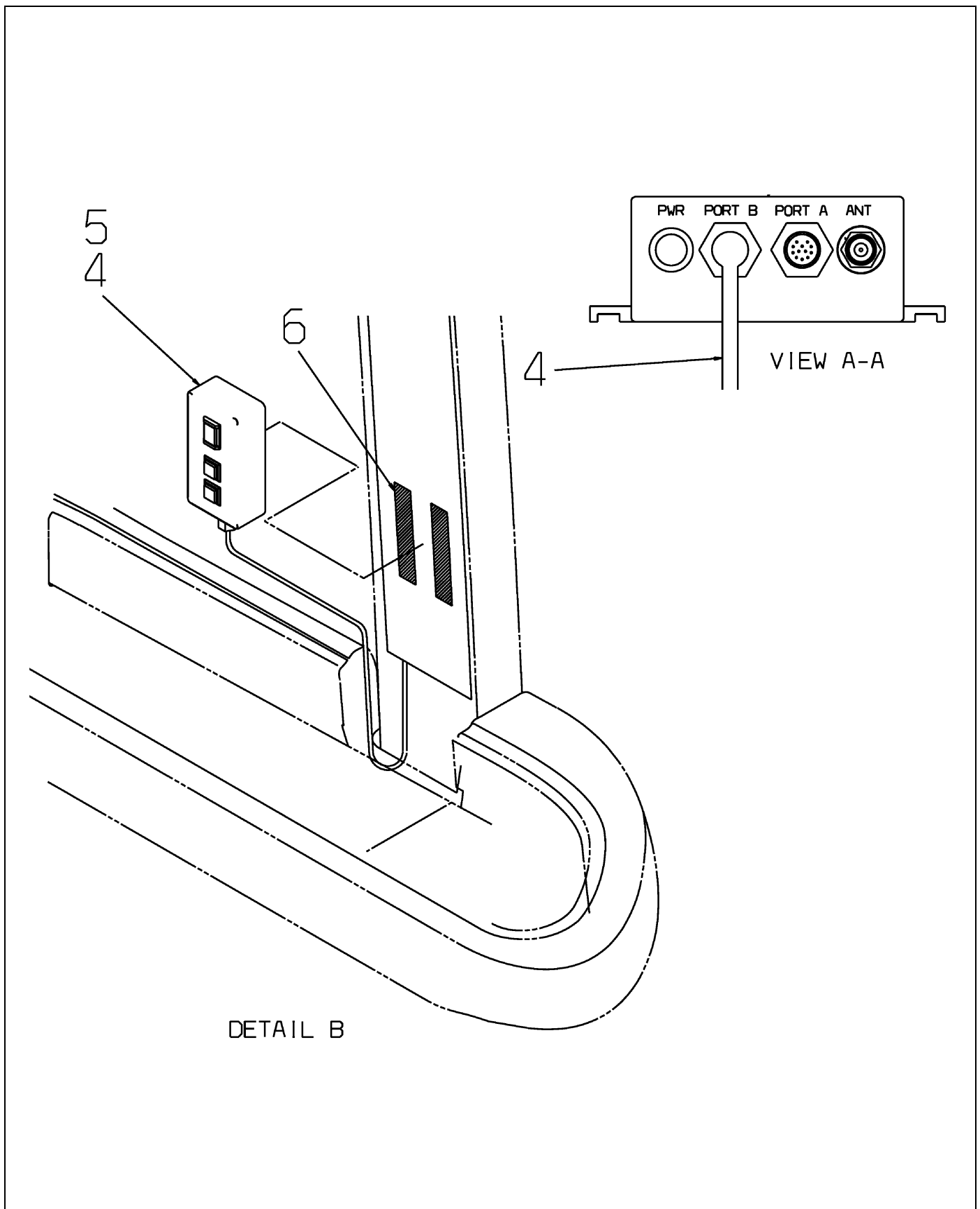


424288-1.TIF

REMOTE BOX/CABLE INSTL-STRLNK

ITEM	PART #	QTY	DESCRIPTION	COMMENTS
1	AG517942	4	MOUNT WIRE TIE ADHESIVE B 4WAY	
2	AG553557	4	TIE CABLE 7.37 .06-1.37 BLACK	
3	AG610787	-	CABLE-LIGHTBAR,28 FT	
4	AG610788	-	BOX-BUTTON,LIGHTBAR	

REMOTE BOX/CABLE INSTL-STRLNK

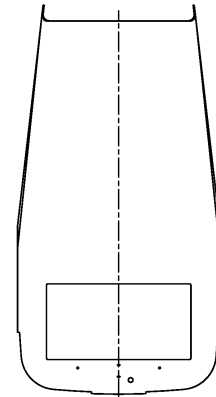
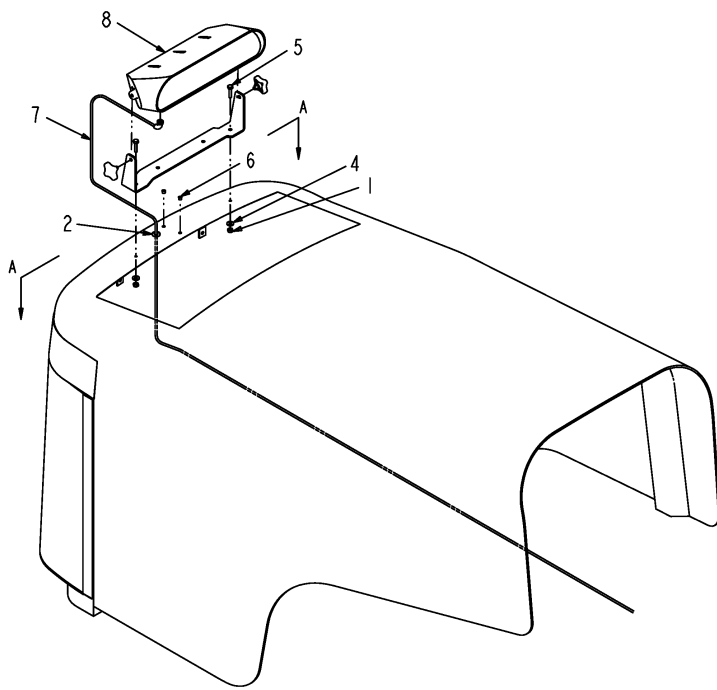


424288-2.tif

REMOTE BOX/CABLE INSTL-STRLNK

ITEM	PART #	QTY	DESCRIPTION	COMMENTS
4	AG610788	-	BOX-BUTTON,LIGHTBAR	
5	AG515928	-	FASTNR VELCRO LOOP BLK 1X25YDS [BULK: 0.525 FT]	
6	AG515927	-	FASTNR VELCRO HOOK BLK 1X25YDS [BULK: 0.525 FT]	

LIGHTBAR INSTL-,RG

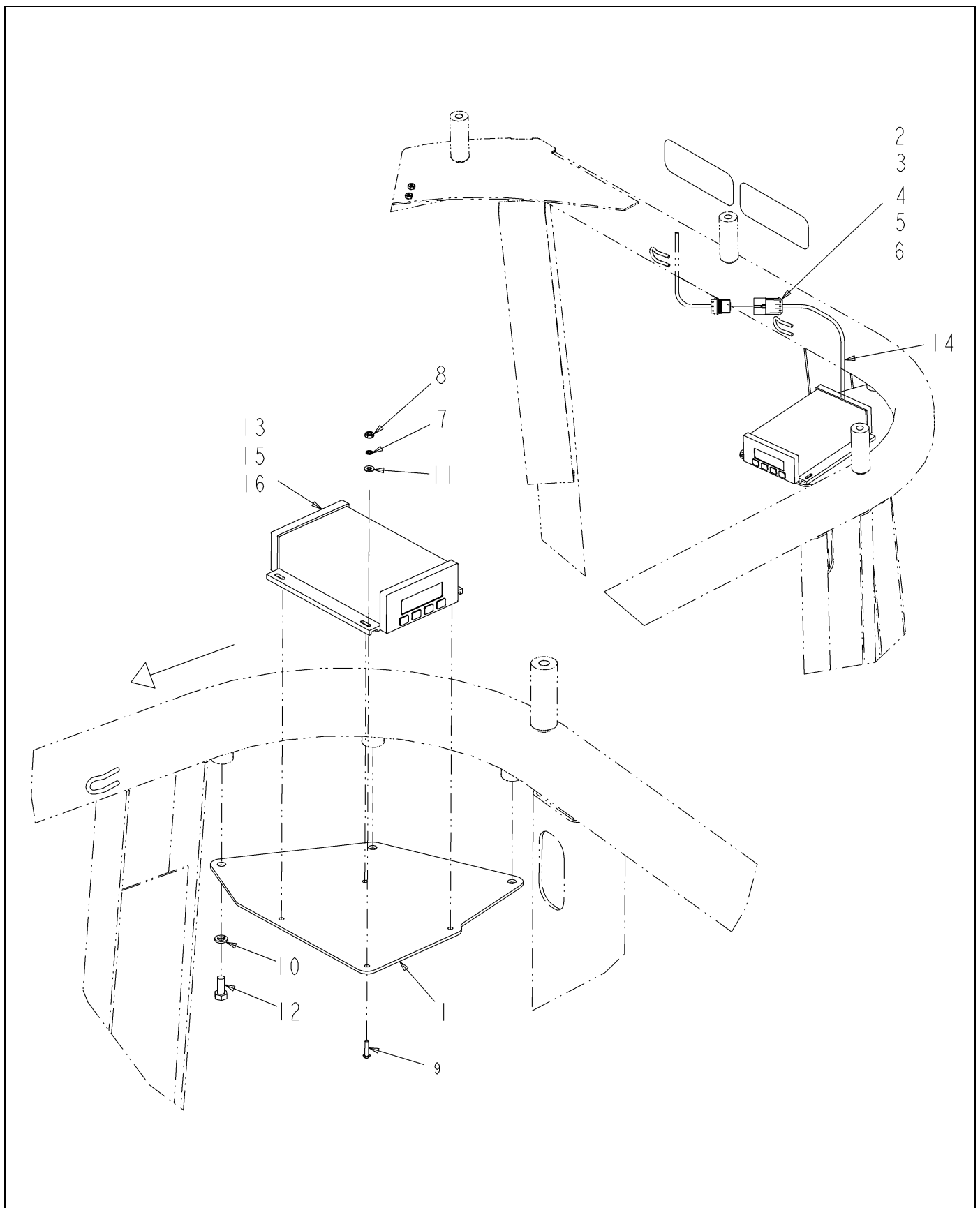


VIEW A-A

424290-F.TIF

LIGHTBAR INSTL-,RG

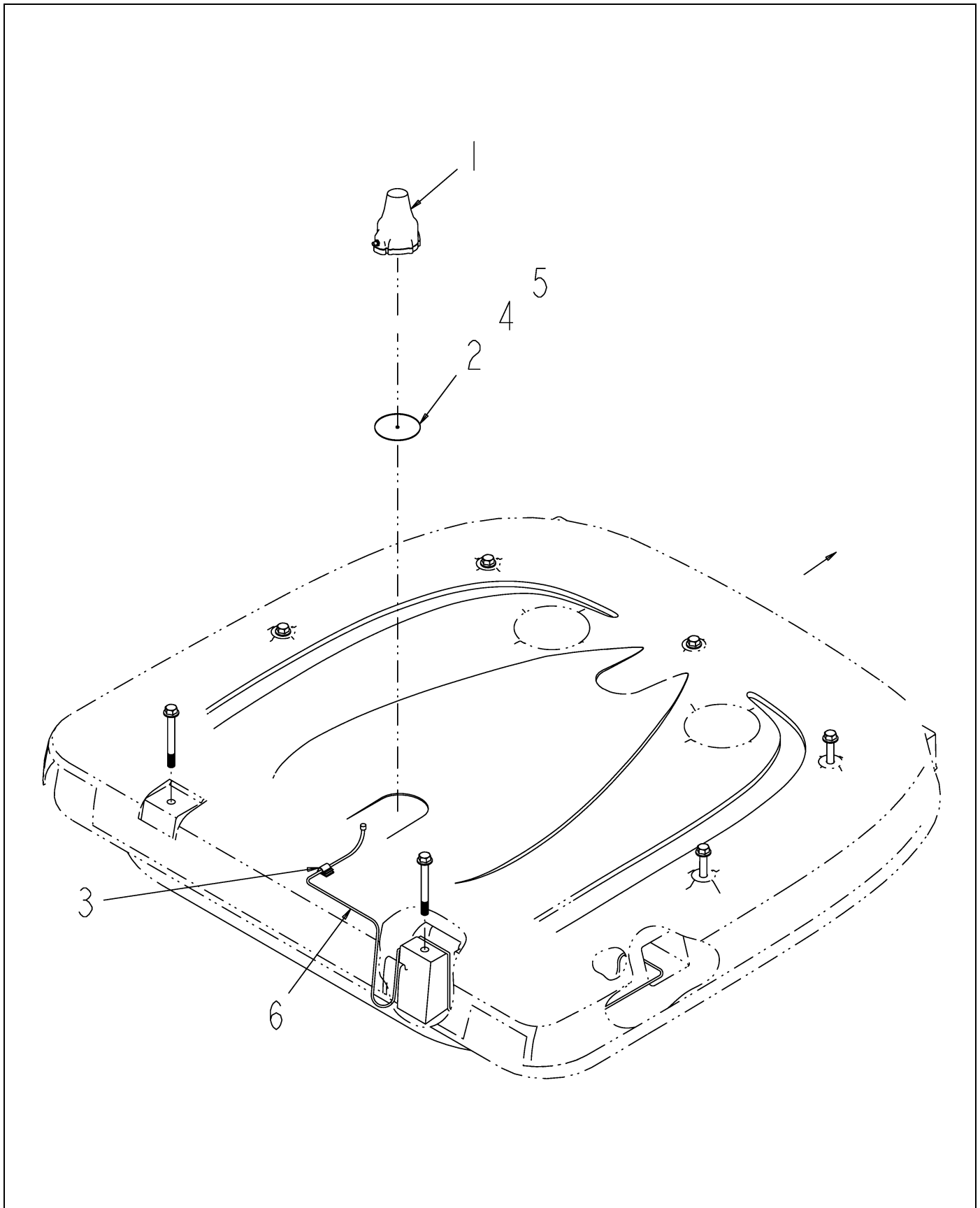
ITEM	PART #	QTY	DESCRIPTION	COMMENTS
1	AG027274	2	NUT #10-24NC HEX SS REG NY	
2	AG522907	1	GROMMET-RUBBER	
3	AG553557	AR	TIE CABLE 7.37 .06-1.37 BLACK	
4	AG562082	4	WASHER #10 FL SS REG TYPE-B	
5	AG562127	2	SCREW 10-24X1.00 MACH HHD SS	
6	AG604414	2	PLUG BLK HOLE 0.25	
7	AG610787	-	CABLE-LIGHTBAR,28 FT	
8	AG133612	-	LIGHTBAR-RGL600T	



515145D1-02-N828-.TIF

RECEIVER INSTL-GPS,PHOENIX 300

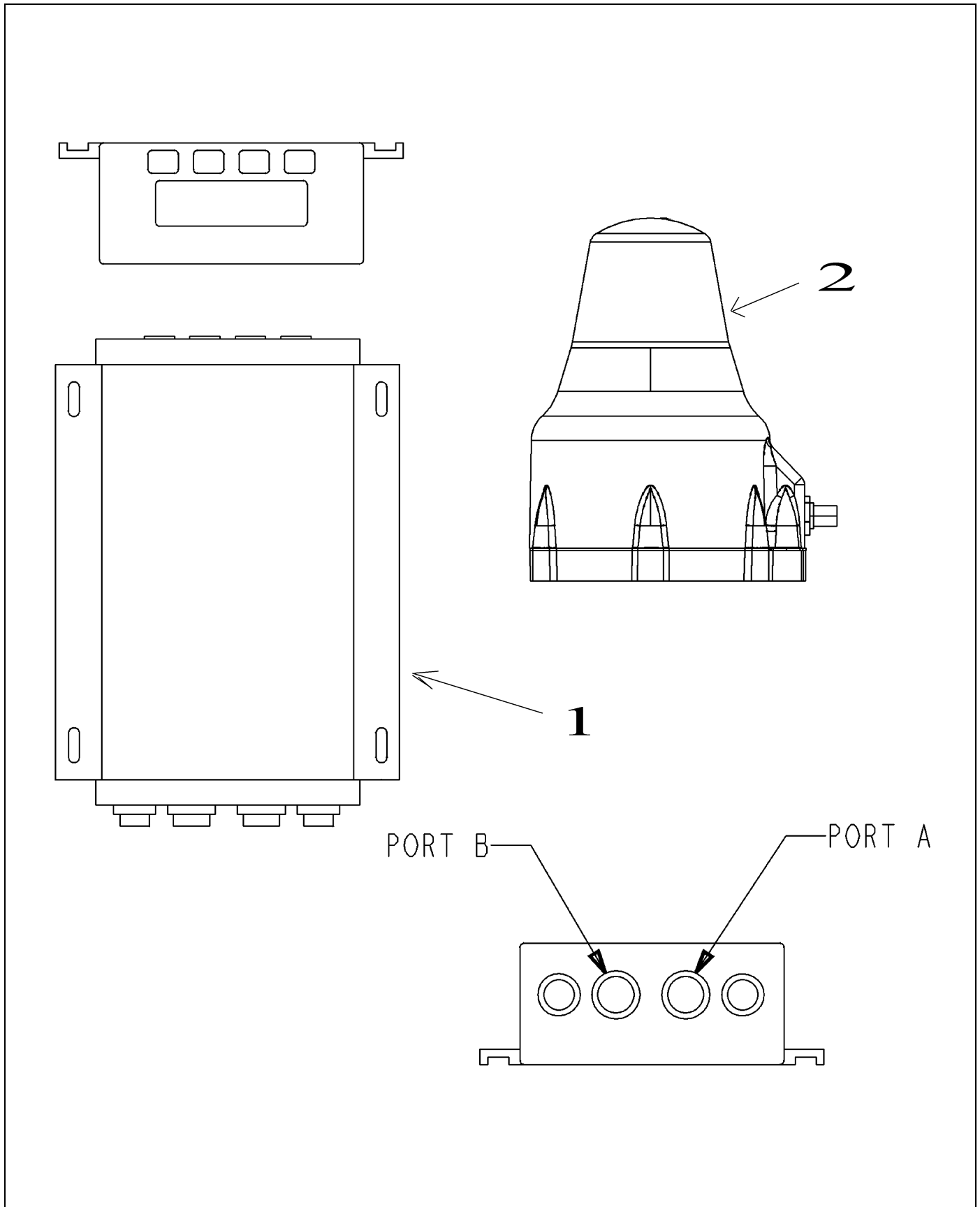
ITEM	PART #	QTY	DESCRIPTION	COMMENTS
1	AG325309	1	BRACKET-MTG,RECEIVER	
2	AG515764	2	SEAL CABLE GREEN REEL 18-16 GA	
3	AG515766	1	CAVITY PLUG	
4	AG517618	1	CONNECTOR MA 3 WAY 280 SEALED	
5	AG519288	2	TERM METRI-PACK M280/20-16 GA	
6	AG520270	1	LOCK-METRI-PACK,280/3 WAY	
7	AG550914	4	WASHER #8 LK ZN REG	
8	AG550922	4	NUT #8-32NC HEX ZN REG	
9	AG550930	4	SCREW 8-32 X.75 MA ZN SL RD HD	
10	AG561679	3	WASHER LOCK M8 ZN	
11	AG562196	4	WASHER #8 FL ZN SAE TYPE-A	
12	AG562644	3	SCREW SOC HD CAP M8-1.25X20MM	
13	514825D1	-	RECEIVER-GPS,PHOENIX 300	
14	AG610624	-	CABLE-POWER,RCVR (523353)	
15	AG123946	-	CABLE-DATA,7 FT	
16	AG058428	-	CABLE PC INTERFACE 210 M/S	



515146D1-01-N884-.TIF

ANTENNA INSTL-GPS,PHOENIX 300

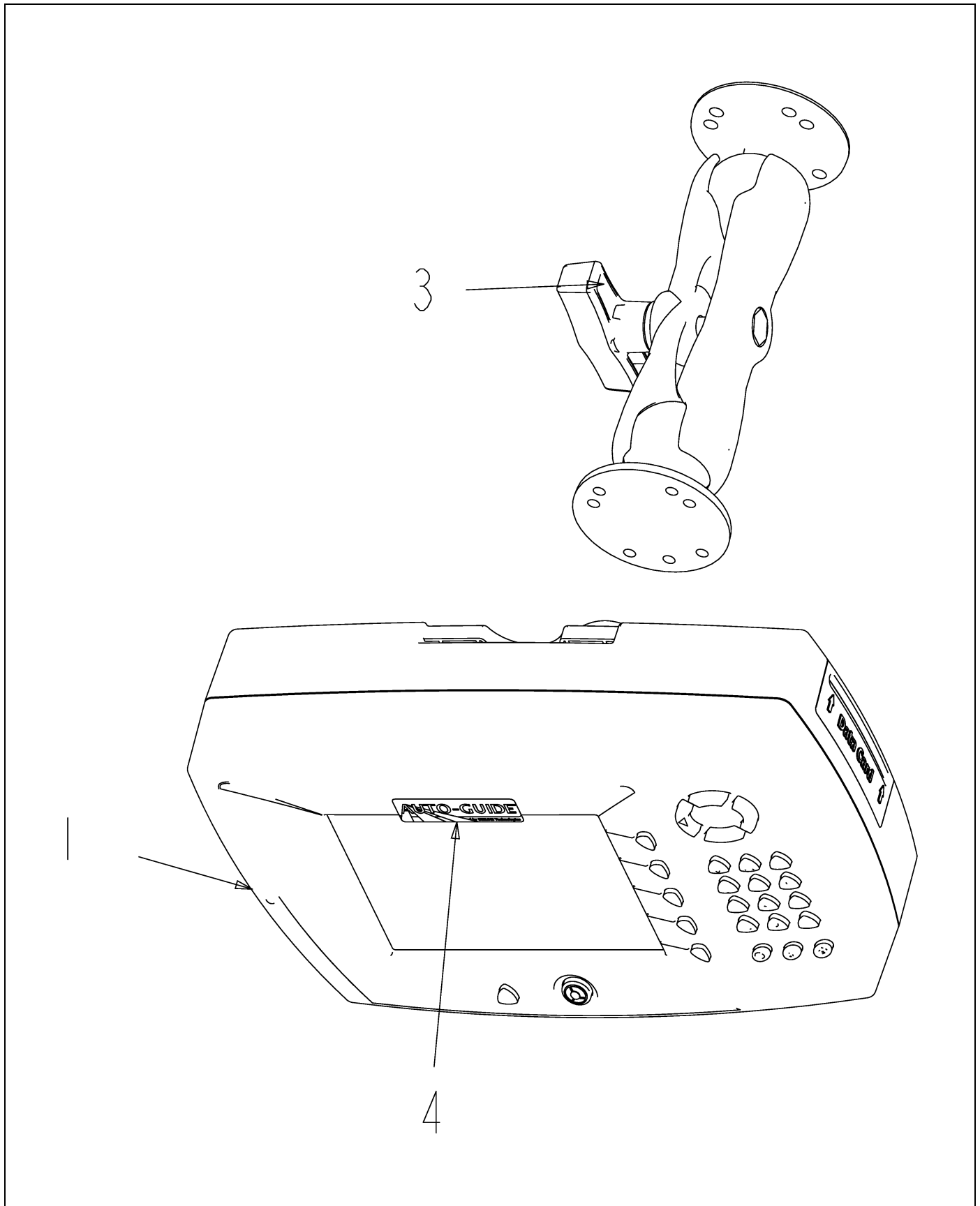
ITEM	PART #	QTY	DESCRIPTION	COMMENTS
1	514826D1	-	ANTENNA-GPS,PHOENIX 300	
2	AG120615	1	DISC-MTG,ANTENNA,GPS	
3	AG562938	3	CABLE CLIP .50 ADH BACK SVR MT	
4	AG523201	-	TAPE-ADHESIVE,4.00,HIGH BOND [BULK: 0.330 FT]	
5	AG523200	AR	3M 94 1/2 PT TAPE PRIMER	
6	AG610620	-	CABLE-ANTENNA,15FT (523335)	



514824D1-01-N884-02.TIF

KIT-GPS,PHOENIX 300

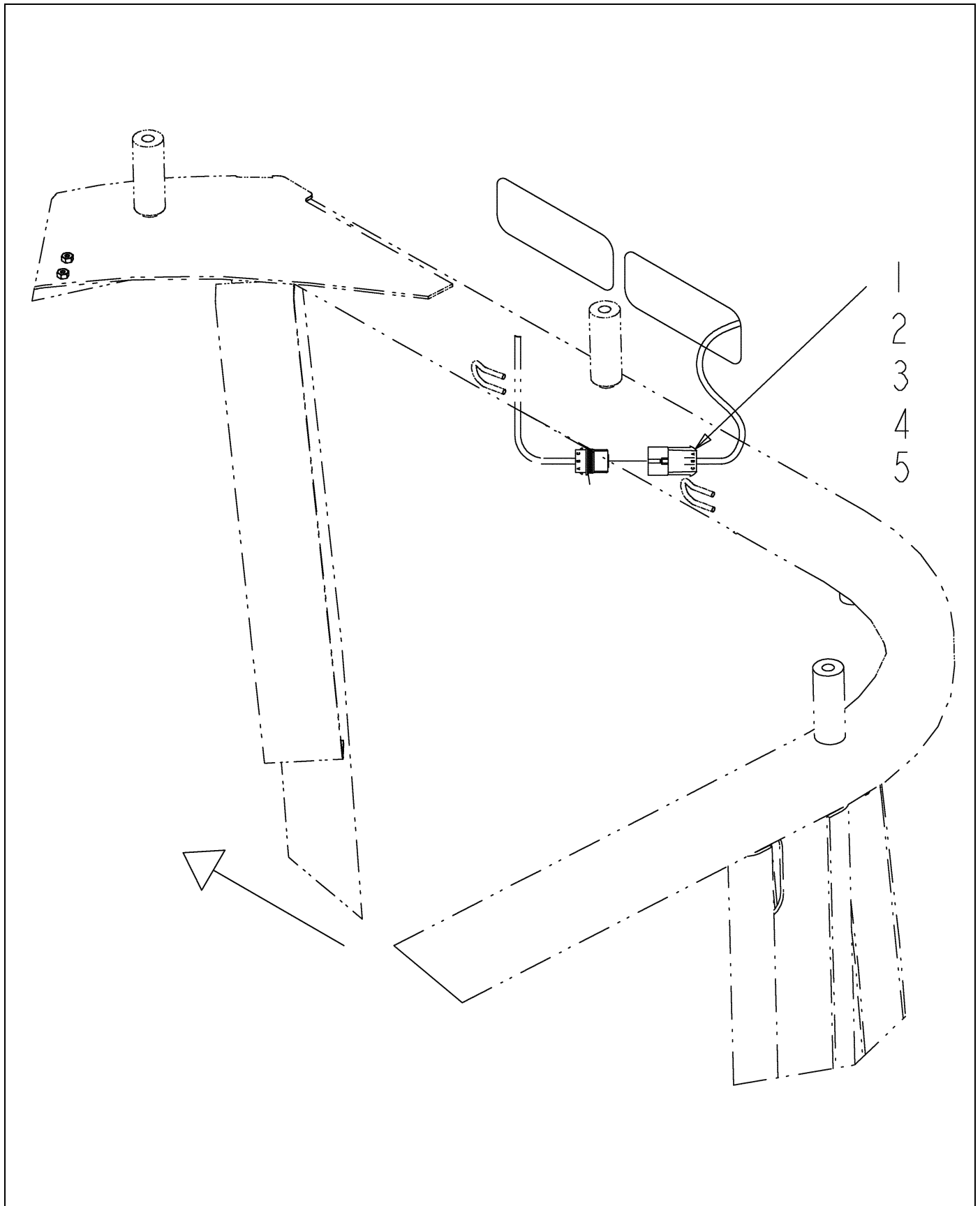
ITEM	PART #	QTY	DESCRIPTION	COMMENTS
0	AG058428	1	CABLE PC INTERFACE 210 M/S	
0	AG123946	1	CABLE-DATA,7 FT	
0	AG610624	1	CABLE-POWER,RCVR (523353)	
0	AG610620	1	CABLE-ANTENNA,15FT (523335)	
0	514827D1	1	MANUAL-GPS,PHOENIX 300	
1	514825D1	1	RECEIVER-GPS,PHOENIX 300	
2	514826D1	1	ANTENNA-GPS,PHOENIX 300	



133891-04-N844-.TIF

TERMINAL KIT

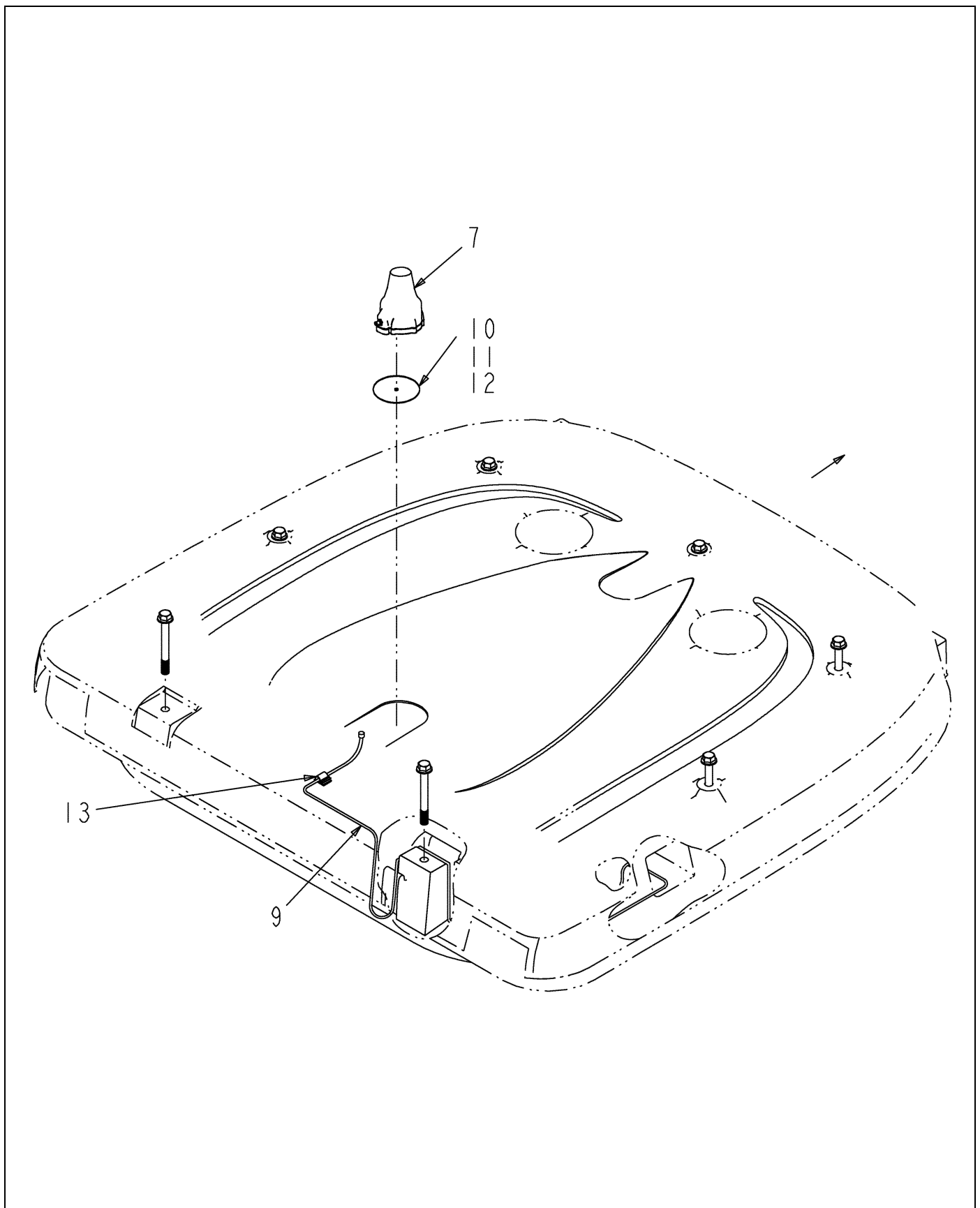
ITEM	PART #	QTY	DESCRIPTION	COMMENTS
1	AG129560	1	AUTO-GUIDE TERMINAL	
2	AG132498	1	SOFTWARE,TERMINAL,AG	
3	AG523464	1	CLAMP ASM-MTG,BALL,7.50	
4	72571170	1	DECAL - AUTO GUIDE	



516412D1-01-R107-01.TIF

OPT-GPS, PHOENIX 200, RG/TG

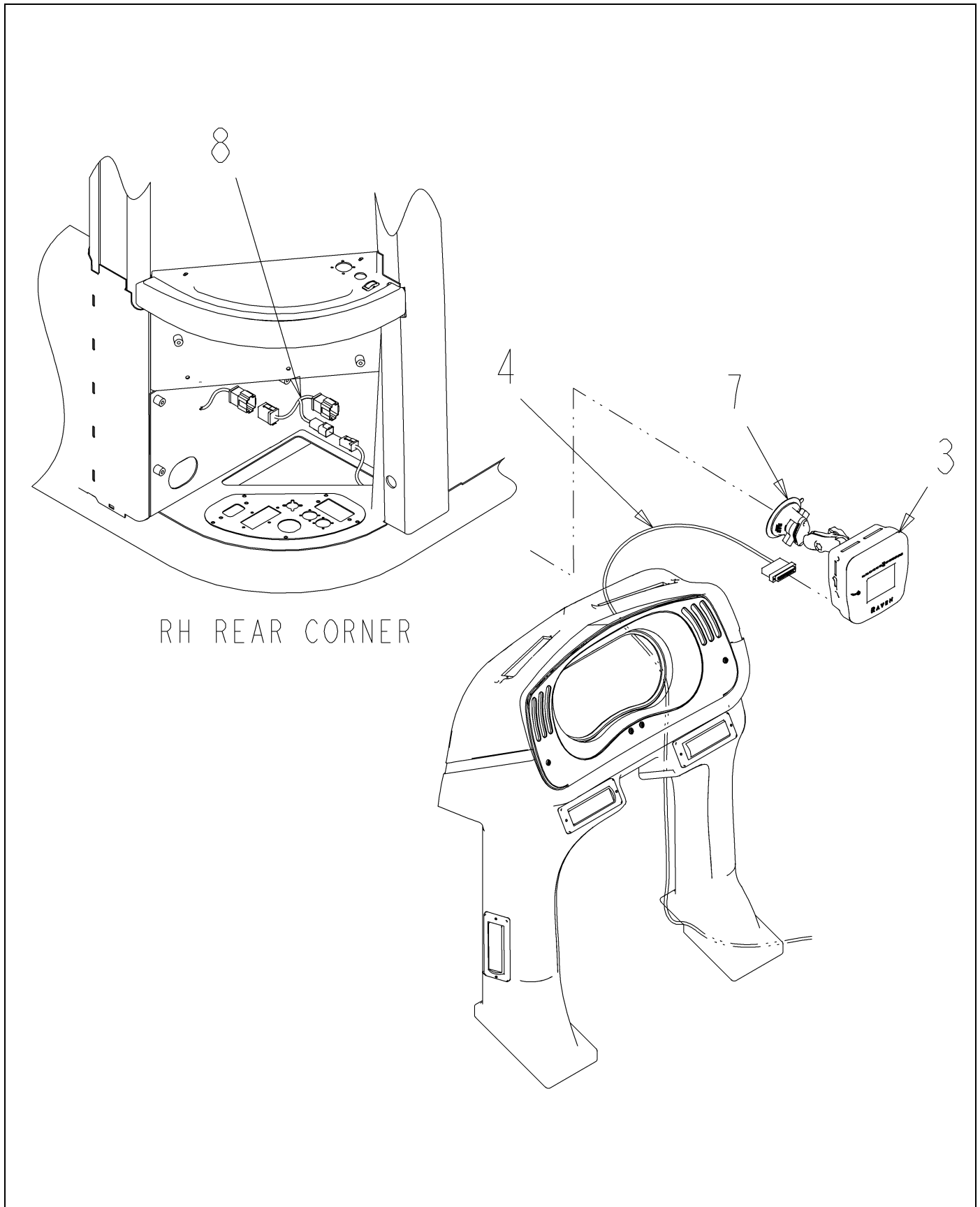
ITEM	PART #	QTY	DESCRIPTION	COMMENTS
1	AG515764	2	SEAL CABLE GREEN REEL 18-16 GA	
2	AG515766	1	CAVITY PLUG	
3	AG517618	1	CONNECTOR MA 3 WAY 280 SEALED	
4	AG519288	2	TERM METRI-PACK M280/20-16 GA	
5	AG520270	1	LOCK-METRIPACK,280/3 WAY	
6	514828D1	1	KIT-GPS,PHOENIX 200	
8	514831D1	-	MANUAL-GPS,PHOENIX 200	



516412D1-01-R107-02.TIF

OPT-GPS, PHOENIX 200, RG/TG

ITEM	PART #	QTY	DESCRIPTION	COMMENTS
7	514829D1	-	ANTENNA-GPS,PHOENIX 200	
9	514830D1	-	CABLE-GPS,PHOENIX 200	
10	AG120615	1	DISC-MTG,ANTENNA,GPS	
11	AG523201	-	TAPE-ADHESIVE,4.00,HIGH BOND [BULK: 0.330 FT]	
12	AG523200	AR	3M 94 1/2 PT TAPE PRIMER	
13	AG562938	3	CABLE CLIP .50 ADH BACK SVR MT	

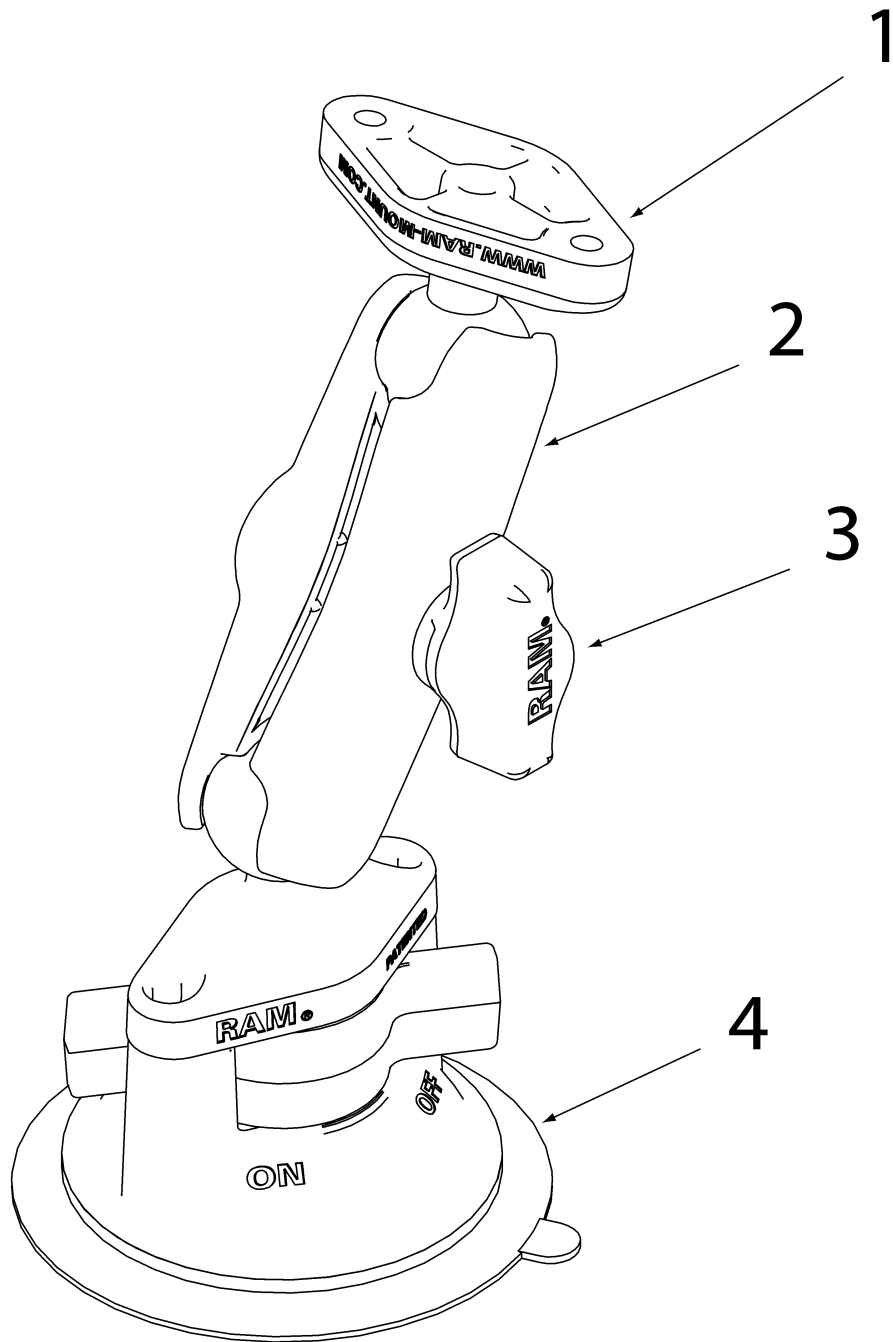


514598D1-01-N828-.TIF

OPT-ENVISIO, RG/TG

ITEM	PART #	QTY	DESCRIPTION	COMMENTS
1	AG058428	-	CABLE PC INTERFACE 210 M/S	
2	514592D1	1	KIT-ENVISIO PLUS, RAVEN	
3	514593D1	-	CONSOLE-ENVIZIO PLUS	
4	514594D1	-	CABLE-CONSOLE, ENVISIO	
5	514596D1	-	CABLE-CAN, 6 FT , W/TEE	
6	514823D1	-	MANUAL-ENVISIO	
7	517898D1	1	MOUNT-SUCTION CUP, RAM	SEE PAGE 14-37
8	518014D1	1	HARNESS-ADAPT, ENVISIO, RG/TG	

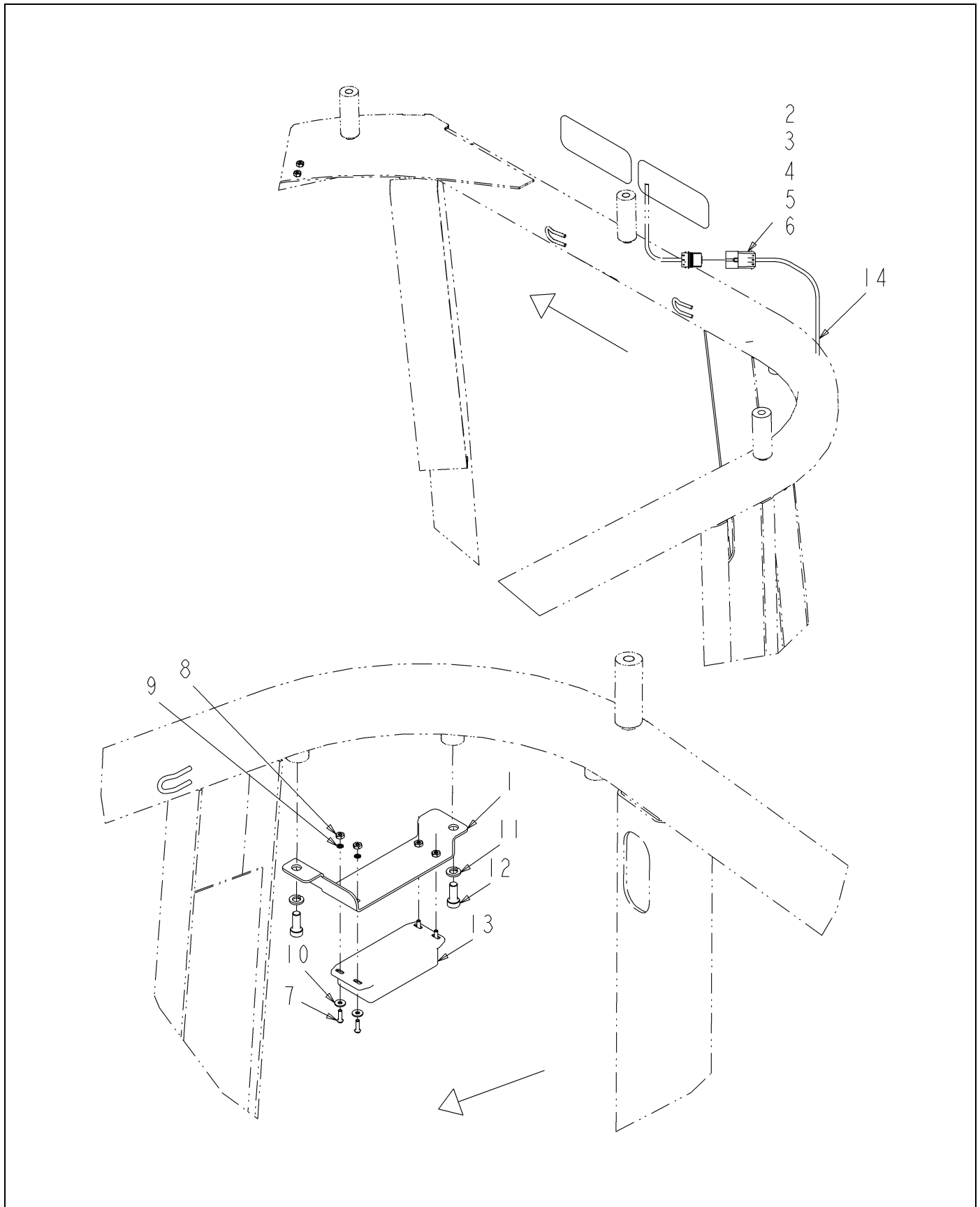
MOUNT-SUCTION CUP, RAM



517898D1-01-N828-.TIF

MOUNT-SUCTION CUP, RAM

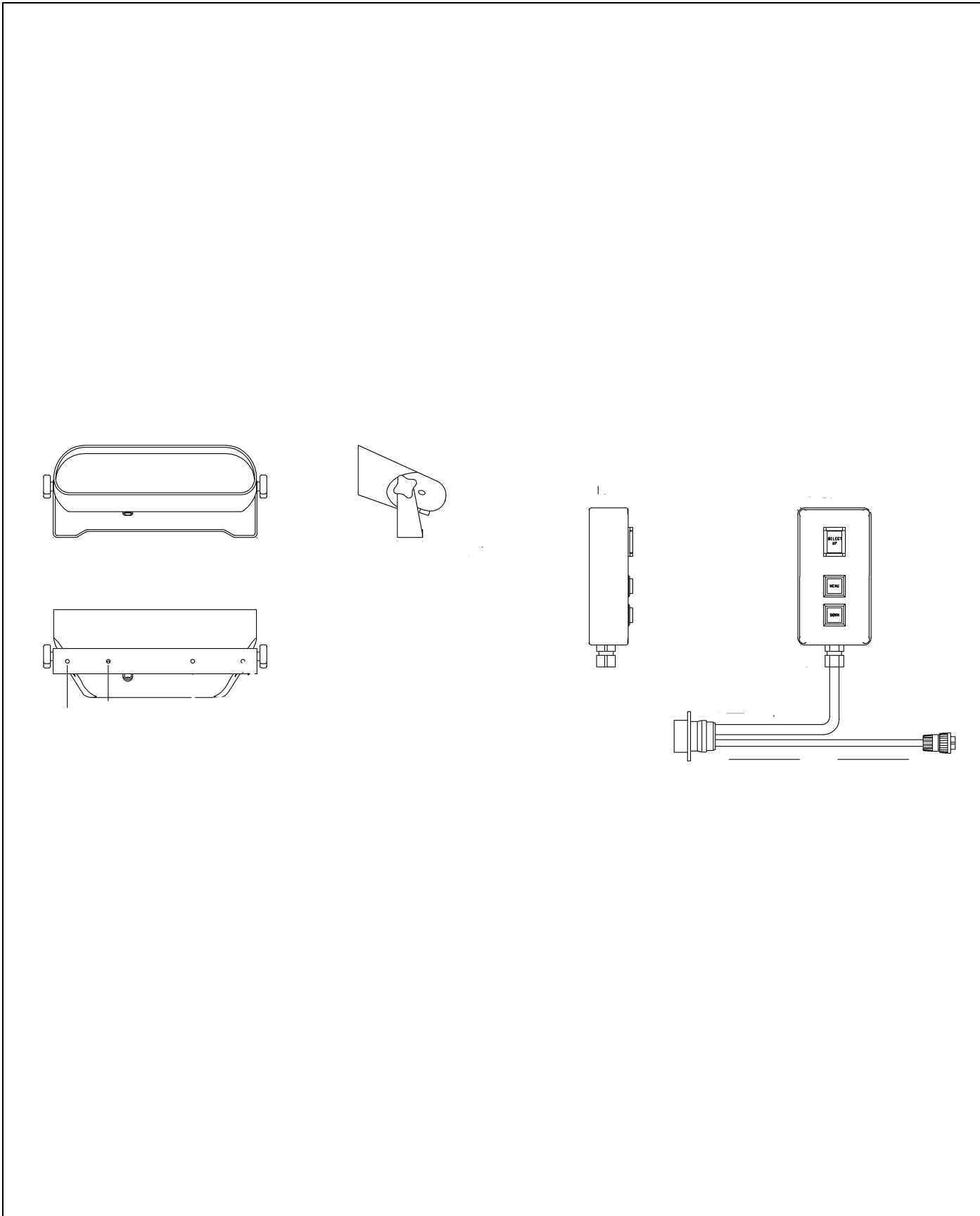
ITEM	PART #	QTY	DESCRIPTION	COMMENTS
0	AG332295	1	STAINLESS/STEEL SPRING	
0	AG332294	1	1 3/4 IN HEX BOLT	
0	AG332293	1	STAINLESS/STEEL WASHER	
0	AG332292	1	THICK/BLACK NYLON WASHER	
1	AG332288	2	2.5 IN X1 5/16 IN BASE W/BALL	
2	AG332289	1	DBL SOCKET-ARM-FOR 1 IN BALLS	[A]
2	AG332296	2	SOCKET/ARM SIDE - PIECE	
3	AG332290	1	KNOB	
4	AG332291	1	3.3 IN DIA-SUCTION CUPW/TWISTLOCK	
	FOOTNOTE [A]		INCLUDES WASHERS, SPRING, BOLT, SOCKET ARM SIDE PIECES AND KNOB.	



517891D1-01-N828-.TIF

SENSOR INSTL-TILT,RG/TG

ITEM	PART #	QTY	DESCRIPTION	COMMENTS
1	517882D1	1	BRKT-MTG,TILT SENSOR	
2	AG515764	2	SEAL CABLE GREEN REEL 18-16 GA	
3	AG515766	1	CAVITY PLUG	
4	AG517618	1	CONNECTOR MA 3 WAY 280 SEALED	
5	AG519288	2	TERM METRI-PACK M280/20-16 GA	
6	AG520270	1	LOCK-METRIPACK,280/3 WAY	
7	AG000748	4	SCREW #6-32X.50 MA RDHD SS	
8	AG517157	4	NUT #6-32NC HEX ZN REG	
9	AG517158	4	WASHER #6 FL ZN REG TYPE-B	
10	AG517159	4	WASHER #6 LK ZN REG	
11	AG561679	2	WASHER LOCK M8 ZN	
12	AG562644	2	SCREW SOC HD CAP M8-1.25X20MM	
13	517804D1	-	SENSOR-TILT	
14	517805D1	-	CABLE-SENSOR,TILT	
15	517803D1	1	KIT-SENSOR,TILT	



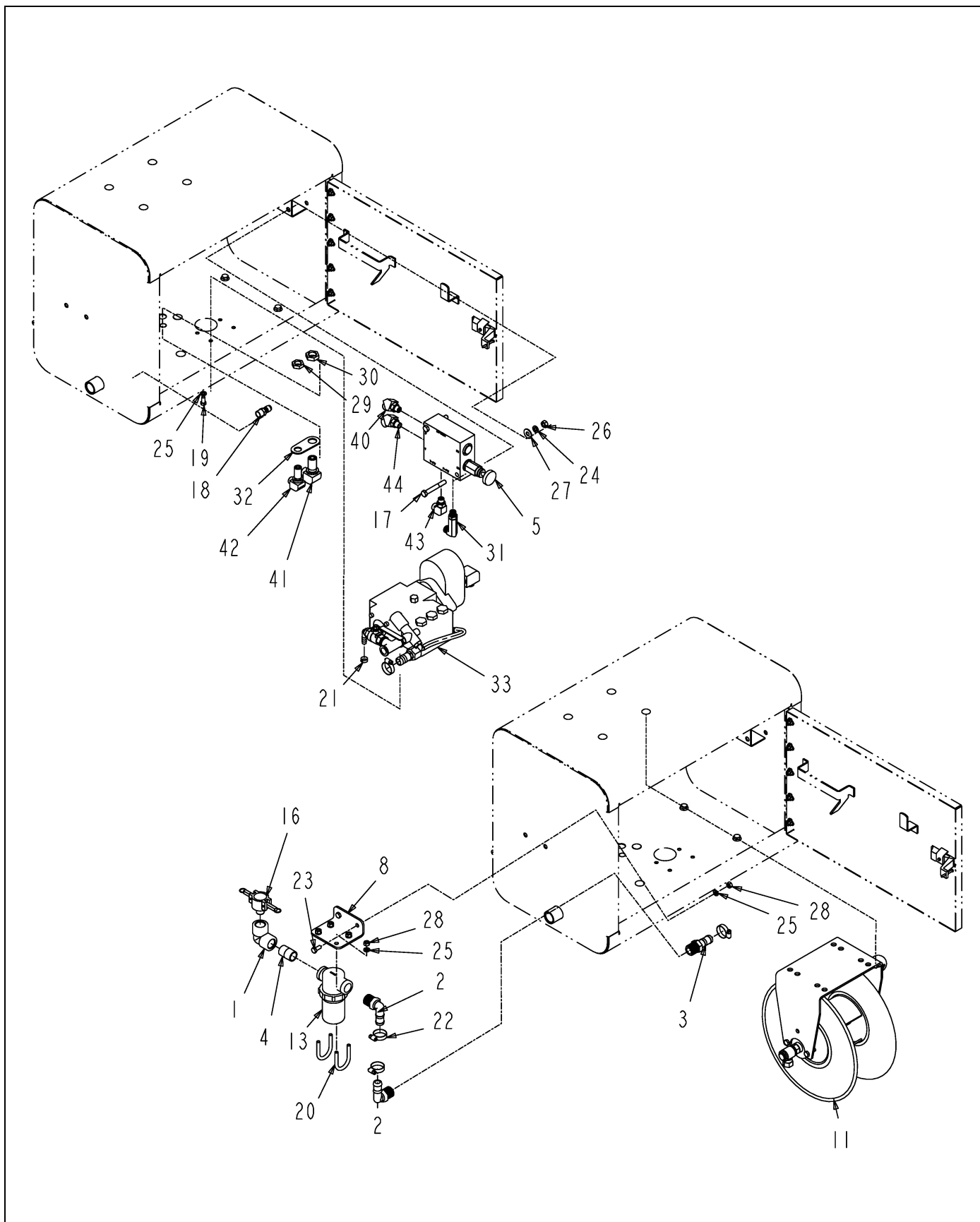
517815D1-01-N828-.TIF

KIT-LIGHTBAR,RGL600

ITEM	PART #	QTY	DESCRIPTION	COMMENTS
0	517816D1	-	CABLE-ADAPTER,CONXALL TO DB9	
0	517817D1	-	LIGHTBAR-RGL 600	
0	AG610787	-	CABLE-LIGHTBAR,28 FT	
0	AG610788	-	BOX-BUTTON,LIGHTBAR	
0	AG610792	-	MANUAL-LIGHTBAR,RGL 600	

PRESSURE WASHER INSTL	15-1
PRESSURE WASHER INSTL	15-2
PRESSURE WASHER ASM	15-3
PUMP AND MOTOR-WASHER,PRESSURE	15-4
PUMP-WASHER,PRESSURE (423766)	15-5
MOTOR-PRESSURE WASHER (423766)	15-6
REEL ASM-PRESSURE WASHER	15-7
INSTL-HEATER,HYD TANK	15-8
OPTION FENDERS	15-9
SENSOR ASM-STEER	15-10
INSTL-WHEEL ANGLE SENSOR,RG	15-11
INSTL-ELECTRICAL,2WS	15-12
STEERING 2 WHEEL	15-13
INSTL-ELECTRICAL,4WS	15-14
INSTL-ELECTRICAL,4WS	15-15
INSTL-ELECTRICAL,4WS	15-16
STEERING 2 WHEEL	15-17
CHASSIS ASM-REAR SUSP.4WHL STR	15-18
CHASSIS ASM-REAR SUSP.4WHL STR	15-19
CHASSIS ASM-REAR SUSP,4WHL STR	15-20
CHASSIS ASM-REAR SUSP,4WHL STR	15-21
COMPONENT INSTL-4 WHL STR	15-22
HOSE INSTL-4 WHL STR	15-23
OPT-HIGH VOLUME AIR SYSTEM	15-24
RESERVOIR ASM-AIR,HI-VOL,10L	15-25
CABINET OPTION-P/W	15-26
OPTION-50HR FILTER KIT	15-27
OPTION-500HR FILTER KIT	15-28

PRESSURE WASHER INSTL

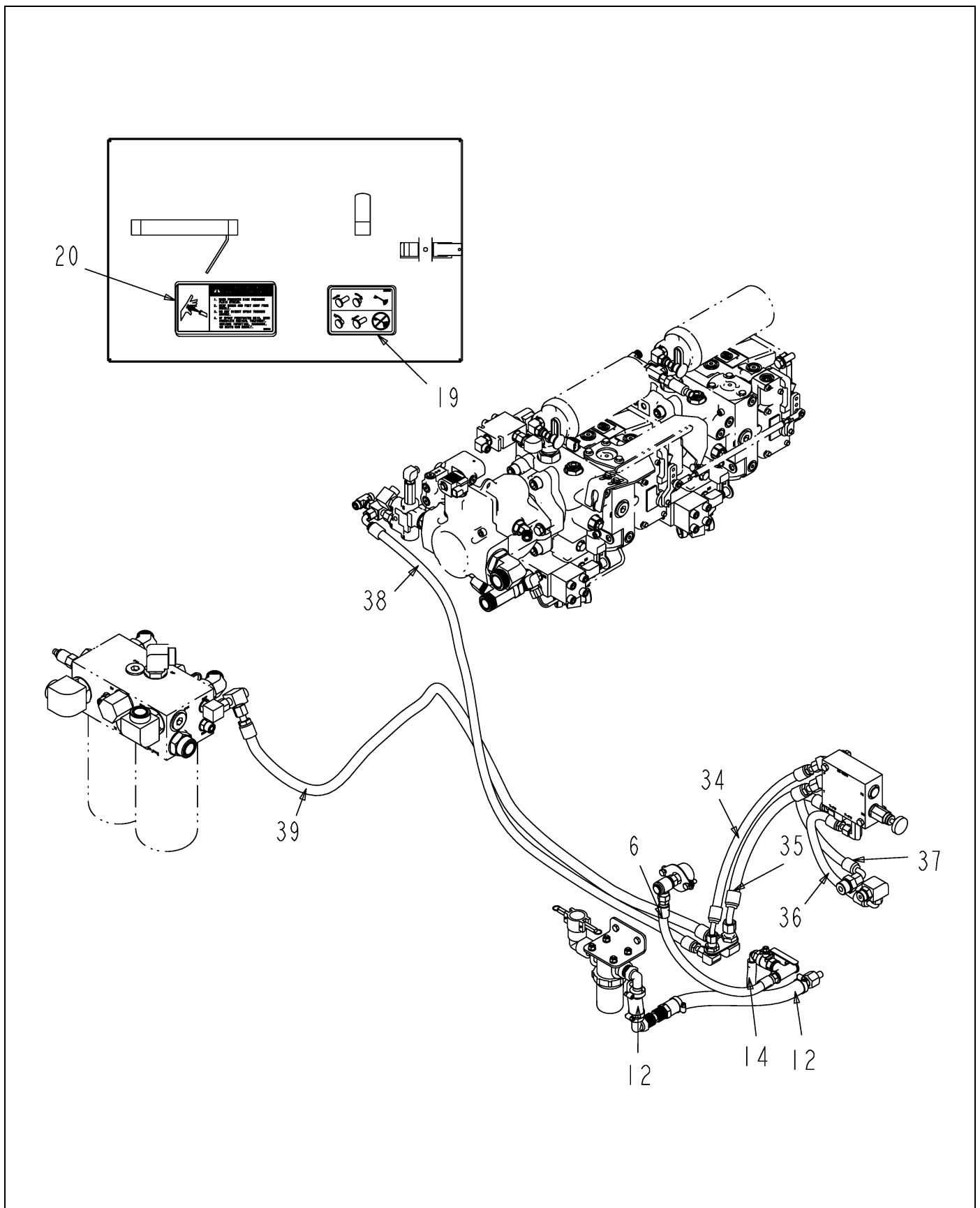


511525D1-02-N960-01.TIF

PRESSURE WASHER INSTL

ITEM	PART #	QTY	DESCRIPTION	COMMENTS
1	400347X1	1	NUT-BULKHEAD 11/16-16	
1	AG051126	1	ELBOW-PIPE,0.75FNPT,90D,PP	
1	CH148-8377	1	ELBOW AS-90° BLKHD -6 ORFS	
2	AG051142	2	ELBOW 90D 0.75NPTX0.75 BARB PP	
3	AG051179	1	BARB-HOSE,0.75MNPTX0.75BARB,PP	
4	AG051903	1	NIPPLE 0.75NPTX 1.37CLS 304SS	
5	AG120948	1	BLOCK-HYD,PW CONTROL	
7	AG129187	-	PIPE SEALANT-FLEX BLACK	
8	AG236870	1	SUPPORT-FILTER	
9	AG238749	1	DECAL-PW CONTROL,SYM	
10	AG238760	1	DECAL-WARNING,HP WASHER	
11	AG502076	1	REEL ASM-PRESSURE WASHER	SEE PAGE 15-7
13	AG513640	1	STRAINER IN-LINE 3/4 NPT NY	
15	AG513916	-	LOCTITE HYD SEALANT BROWN	
16	AG514534	1	COUPLER ASM .75CAM FEX.75M NPT	
17	AG515141	2	BOLT 0.37-16NCX 2.75 S.S. HHD	
18	AG516790	1	NIPPLE 0.38 S. S.	
19	AG518071	4	BOLT M8-1.25X14MM A-2#304SSHHD	
20	AG551864	2	BOLT-U .31-18X1.38X 2.19RD ZN	
21	AG561025	1	CLAMP HOSE .218 TO .625 U5S	
22	AG561229	4	CLAMP 0.68-1.25 HOSE 12HS	
23	AG562049	2	BOLT 0.31-18NCX 0.75 SS HHD	
24	AG562050	2	WASHER 0.37 LK SS REG	
25	AG562051	10	WASHER 0.31 LK SS REG	
26	AG562065	2	NUT 0.37-16NC HEX SS REG	
27	AG562073	2	WASHER 0.37 FL SS REG TYPE-B	
28	AG562090	6	NUT 0.31-18NC HEX SS REG	
30	400348X1	1	NUT-BULKHEAD 13/16-16	
31	401293X1	1	ELBOW ASM-90L,-06STOR X-06ORFS	SEE PAGE 5-62
32	512410D1	1	PLATE-BACKING, BLKHD FITTINGS	
33	512411D1	1	PRESSURE WASHER ASM	SEE PAGE 15-3
40	CH148-8353	1	ELBOW AS-45° 6STOR X 6ORFS	
41	CH148-8375	1	ELBOW AS-90° BLKHD -8 ORFS	
43	CH148-8378	1	ELBOW AS-90-6STOR X 6ORFS	
44	CH164-5624	1	ELBOW AS-45° 6STOR X 8ORFS	

PRESSURE WASHER INSTL

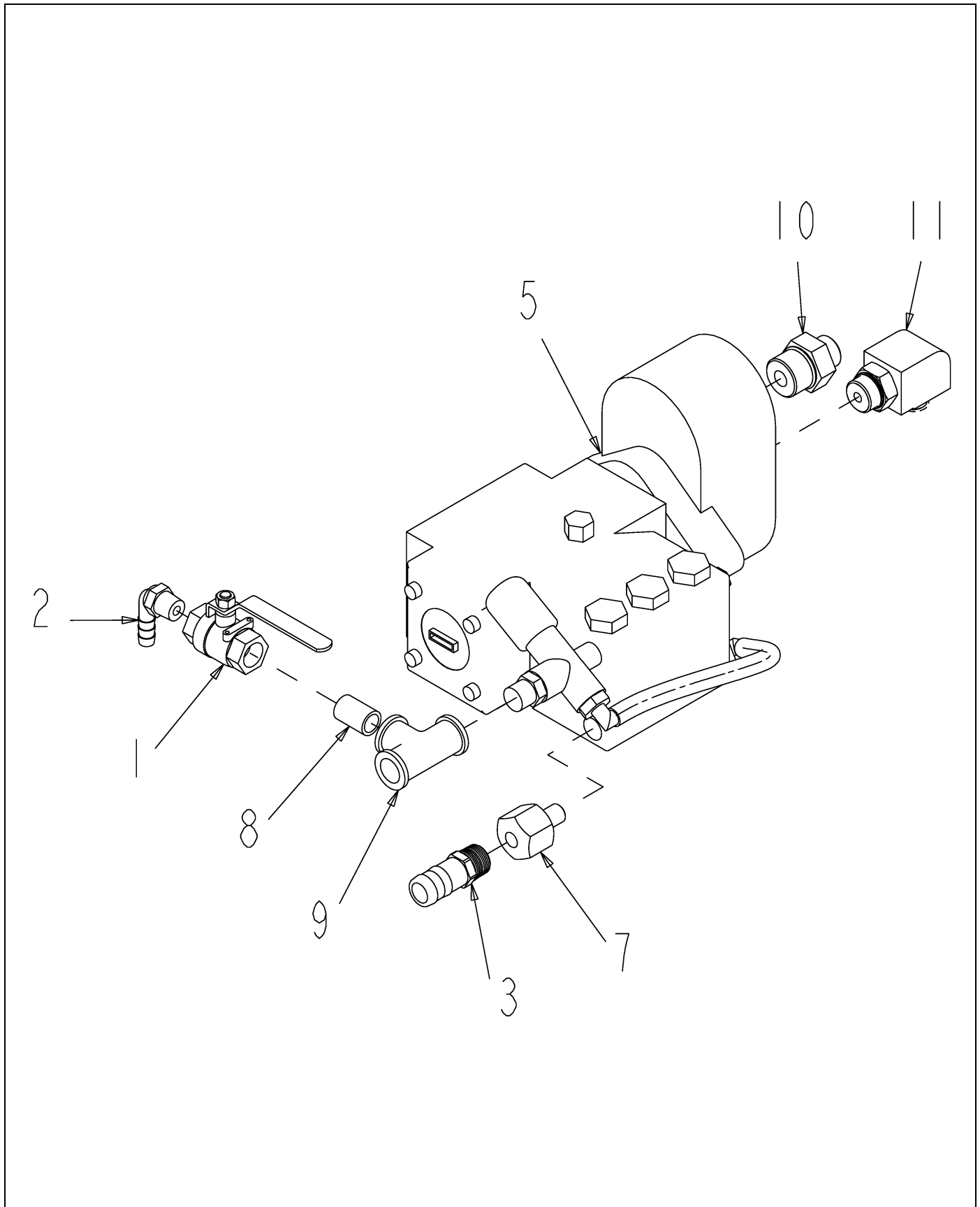


511525D1-02-N960-02.TIF

PRESSURE WASHER INSTL

ITEM	PART #	QTY	DESCRIPTION	COMMENTS
6	AG122081	1	HOSE ASM -6 X 16.00 R1AT MP/MP	
12	AG513385	-	HOSE,MED.PRESS 0.75 2BRD EPDM [BULK: 17.500 FT]	
14	AG513689	-	HOSE 0.37 2BRD EPDM [BULK: 5 FT]	
19	AG518071	4	BOLT M8-1.25X14MM A-2#304SSHHD	
20	AG551864	2	BOLT-U .31-18X1.38X 2.19RD ZN	
34	512425D1	1	HOSE ASM--06X19.0 ORFS/ORFS45	
35	512426D1	1	HOSE ASM,-08X16.0 ORFS/ORFS45	
36	512427D1	1	HOSE ASM,-06X18.0 ORFS/ORFS90	
37	512428D1	1	HOSE ASM,-06X16.0 ORFS/8ORFS90	
38	512429D1	1	HOSE ASM,-06X60.0 ORFS/ORFS90	
39	512430D1	1	HOSE ASM,-08X60.0 ORFS/ORFS	

PRESSURE WASHER ASM

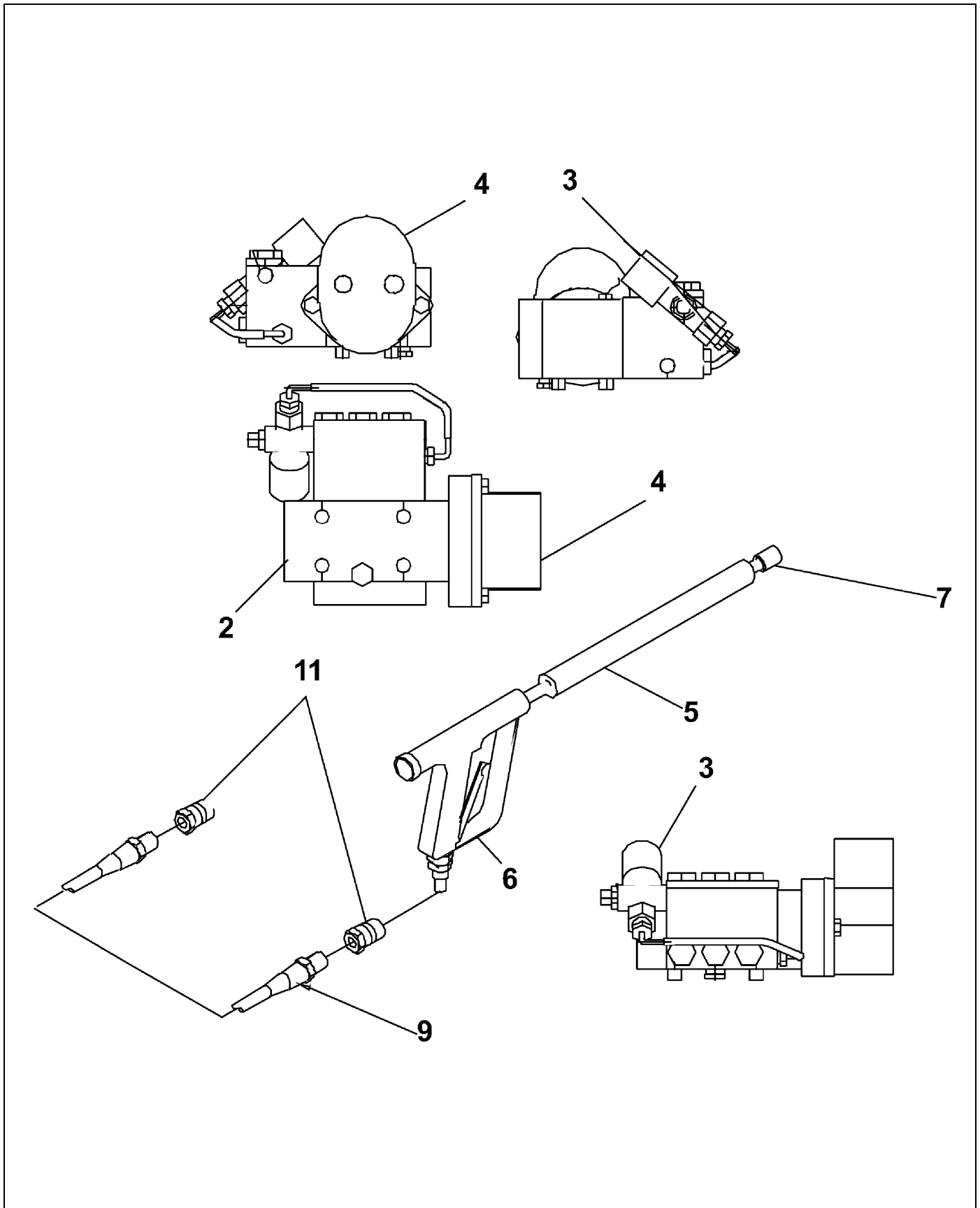


512411D1-01-N308-.TIF

PRESSURE WASHER ASM

ITEM	PART #	QTY	DESCRIPTION	COMMENTS
1	AG007785	1	VALVE STAINLESS STEEL 0.375	
2	AG051137	1	ELBOW 90D 0.38NPTX0.38BARB PP	
3	AG051177	1	BARB-HOSE,0.50MNPTX0.75BARB,PP	
4	AG129187	-	PIPE SEALANT-FLEX BLACK	
5	AG423766	1	PUMP & MOTOR-WASHER,PRESSURE	SEE PAGE 15-4
6	AG513916	-	LOCTITE HYD SEALANT BROWN	
7	AG523771	1	ADPTR STR -8FP X -6MP SS	
8	AG555290	1	NIPPLE .37NPT X 1.00CLS WR ST	
9	AG556580	1	TEE 0.37NPT PIPE MAL IR PL	
10	400414X1	1	CONNECTOR AS-STR-12STOR-8ORFS	SEE PAGE 5-35
11	CH205-3692	1	ELBOW AS-90° 6 ORFS X 10 STOR	SEE PAGE 5-36

PUMP AND MOTOR-WASHER, PRESSURE

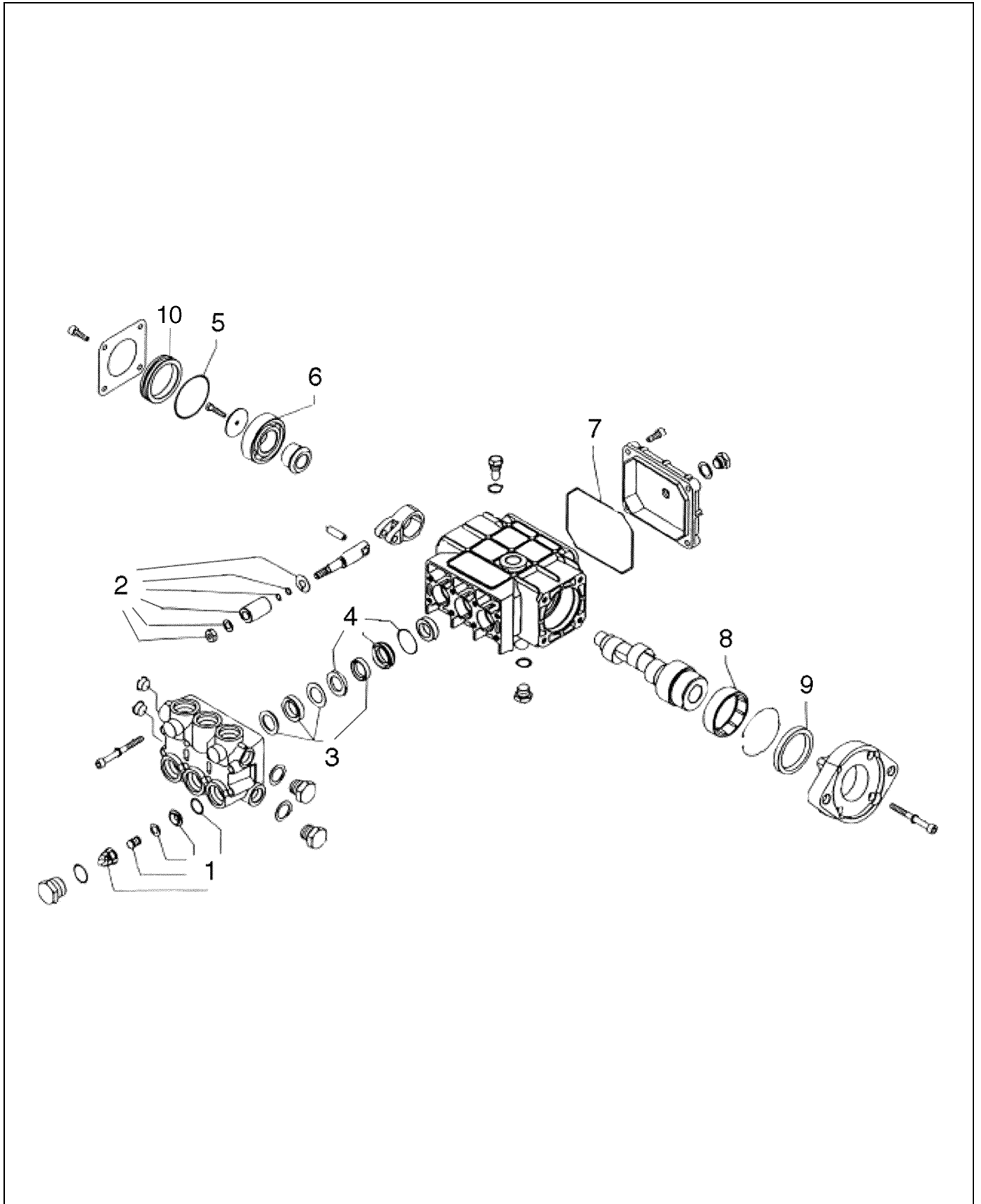


423766-E.tif

PUMP AND MOTOR-WASHER,PRESSURE

ITEM	PART #	QTY	DESCRIPTION	COMMENTS
2	AG610649	1	PUMP-WASHER,PRESSURE (423766)	SEE PAGE 15-5
3	AG610650	1	UNLOADER-WASHER,PRESS (423766)	
4	AG610656	1	MOTOR-PRESSURE WASHER (423766)	SEE PAGE 15-6
5	AG610652	1	WAND-WASHER,PRESS (423766)	
6	AG610651	1	GUN-SPRAY (423766)	
7	AG610653	1	PROTECTOR-NOZZLE (423766)	
8	AG610654	1	NOZZLE-SPRAY (423766)	
9	AG610655	1	HOSE-.38 X 50FT (423766)	
10	AG610657	1	COUPLER-QUICK,.38 MALE(423766)	
11	AG610658	1	COUPLER-QUICK,.38 FE (423766)	

PUMP-WASHER,PRESSURE (423766)

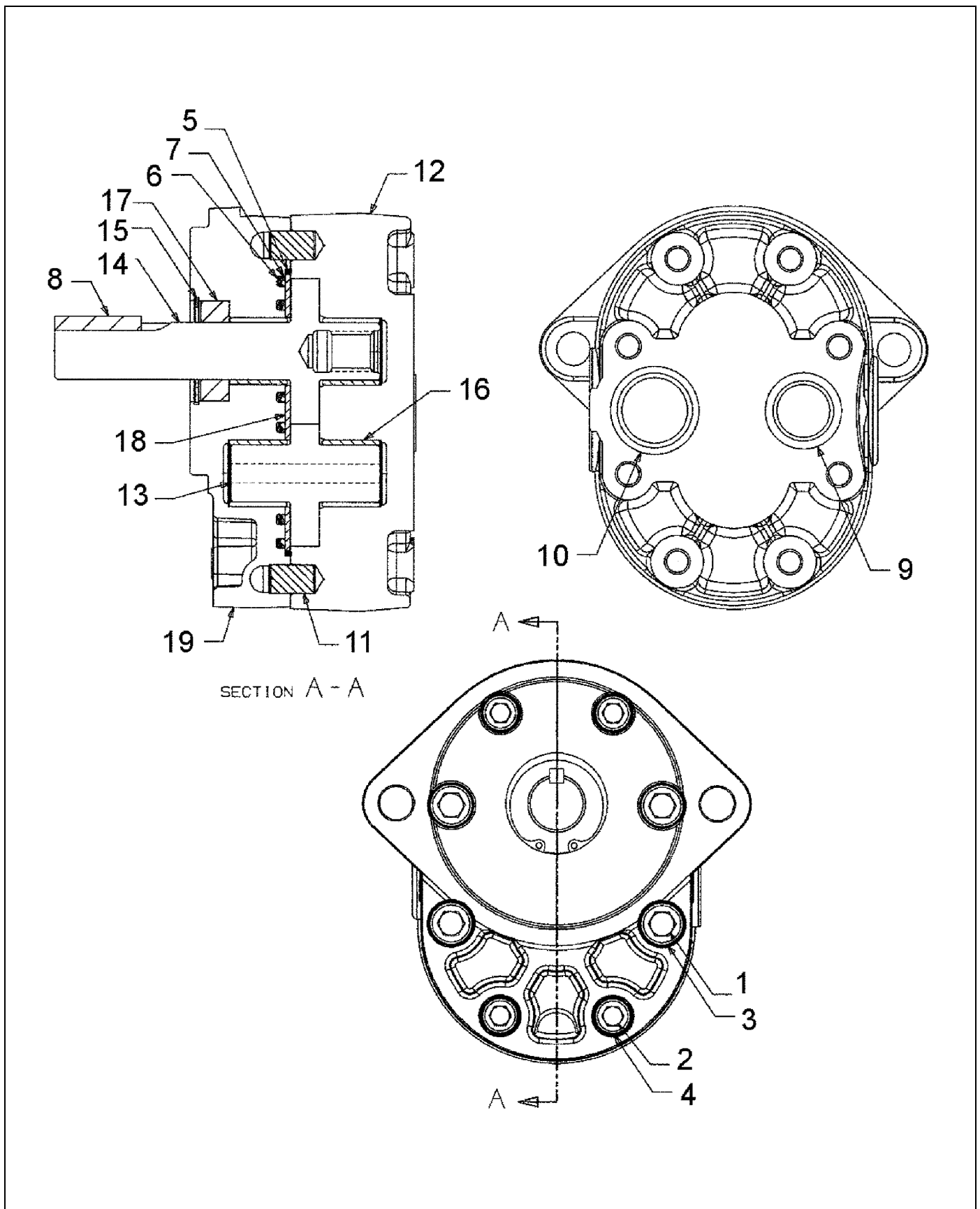


610649.TIF

PUMP-WASHER,PRESSURE (423766)

ITEM	PART #	QTY	DESCRIPTION	COMMENTS
1	AG724680	1	VALVE KIT	610649
2	AG724670	1	KIT-PLUNGER ORING	
3	AG724669	1	SEAL KIT	
4	AG724668	1	BRASS KIT	
5	AG727488	1	O-RING/ (610649)	
6	AG727486	1	BEARING/ (610649)	
7	AG727487	1	O-RING/ (610649)	
8	AG061244	1	BEARING/PRESS,WASH	
9	AG727484	1	SEAL / (610649)	
10	AG727485	1	BEARING/CVR (610649)	

MOTOR-PRESSURE WASHER (423766)

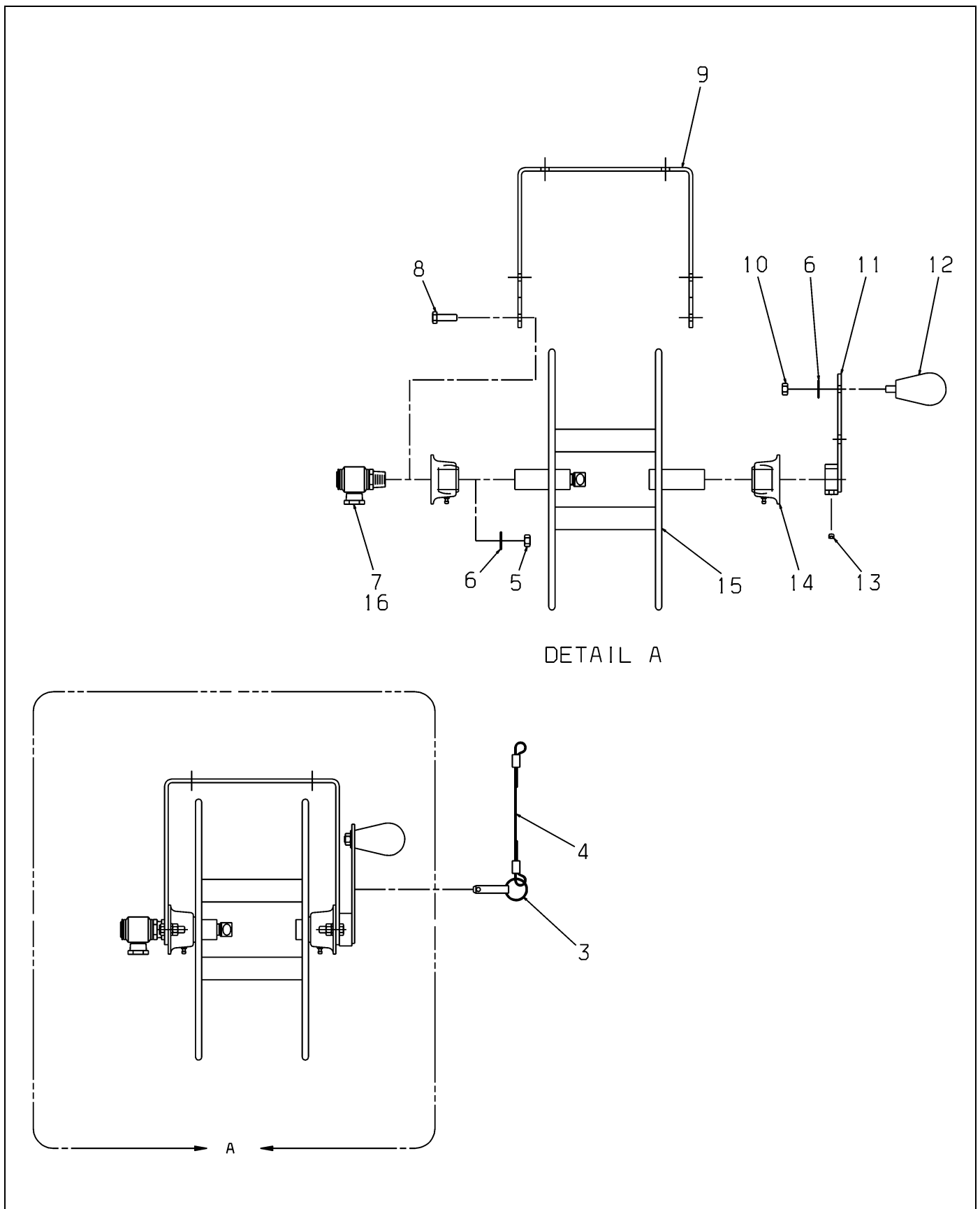


610656.tif

MOTOR-PRESSURE WASHER (423766)

ITEM	PART #	QTY	DESCRIPTION	COMMENTS
0	AG132200	-	KIT, REPAIR SEAL	
1	AG132181	4	SCREW	
2	AG132182	4	SCREW	
3	AG132183	4	WASHER	
4	AG132184	4	WASHER	
5	AG132185	1	RING, SEAL	
6	AG132186	1	SEAL	
7	AG132187	1	SEAL	
8	AG132188	1	KEY	
9	AG132189	1	CAPLUG	
10	AG132190	1	CAP, PLUG	
11	AG132191	2	PIN, DOWEL	
12	AG132192	1	COVER	
13	AG132193	1	GEAR, IDLER SHAFT	
14	AG132194	1	GEAR, SHAFT DRVIE	
15	AG132195	1	RING, RETAINER	
16	AG132196	4	SLEEVE, BEARING	
17	AG132197	1	SEAL	
18	AG132198	1	PLATE, WEAR	
19	AG132199	1	BODY	

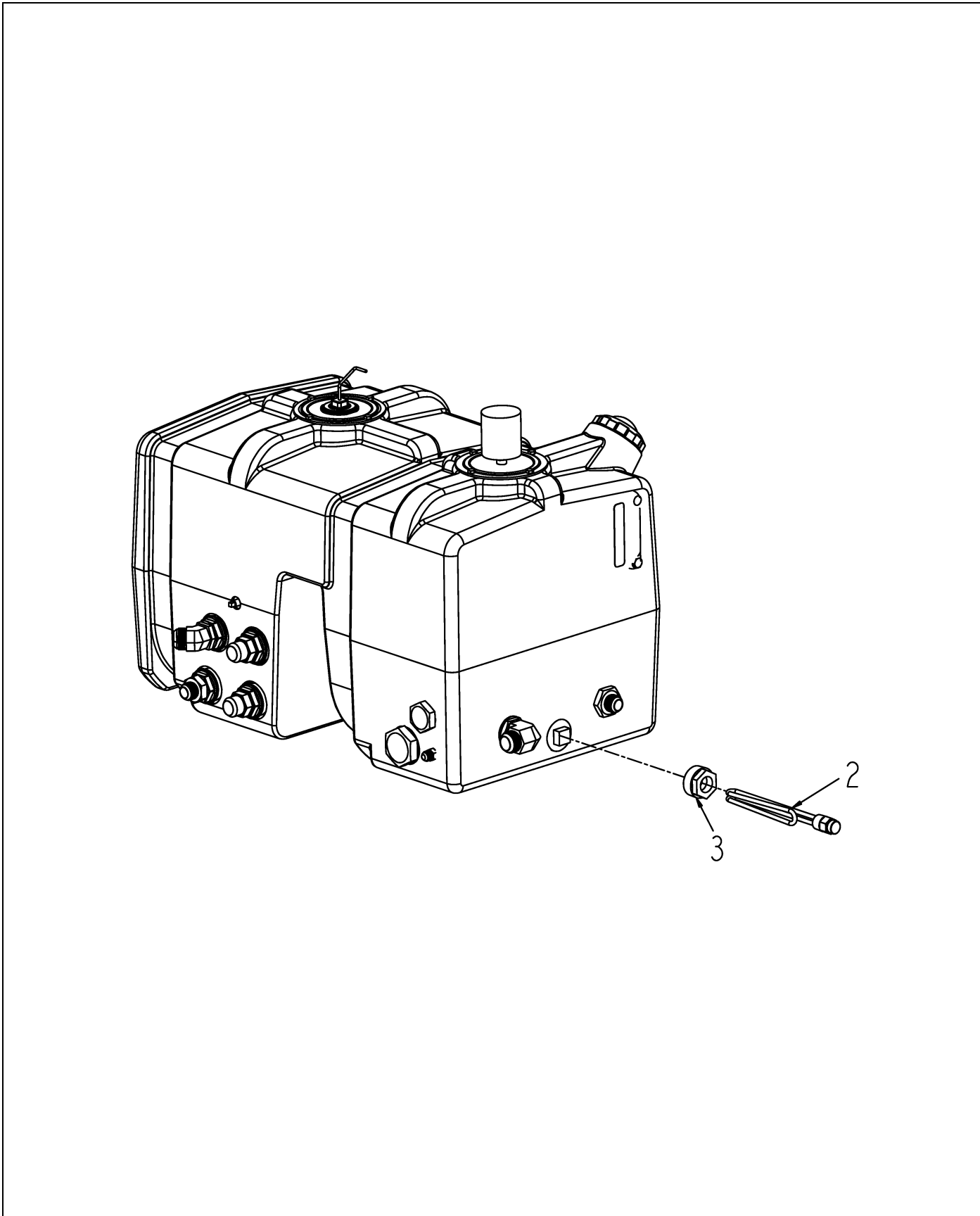
REEL ASM-PRESSURE WASHER



502076-C.TIF

REEL ASM-PRESSURE WASHER

ITEM	PART #	QTY	DESCRIPTION	COMMENTS
3	AG515980	1	QUICK RELEASE PIN 0.38 DIA	
4	AG217181	1	CABLE ASM	SEE PAGE 7-42
5	AG562090	4	NUT 0.31-18NC HEX SS REG	
6	AG562074	5	WASHER 0.31 FL SS REG TYPE-B	
7	AG520937	1	ADPTR-SWVL90D,.38FPTX.38MPT MV	
8	AG562076	4	BOLT 0.31-18NCX 1.00 SS HHD	
9	AG421061	1	BRACKET-HOSE REEL MTG	
10	AG557668	1	NUT 0.31-18NC HEX ZN C-LK	
11	AG236879	1	HANDLE WLDMT-HOSE REEL	
12	AG520933	1	KNOB-PHENOLIC .31-18X.50 STUD	
13	AG560707	1	SCREW .25-20X 0.37 SET PL CPSH	
14	AG520934	2	BEARING-FLANGE,1.00 (518030)	
15	AG323492	1	REEL WLDMT-PRESSURE WASHER	
16	AG513916	AR	LOCTITE HYD SEALANT BROWN	

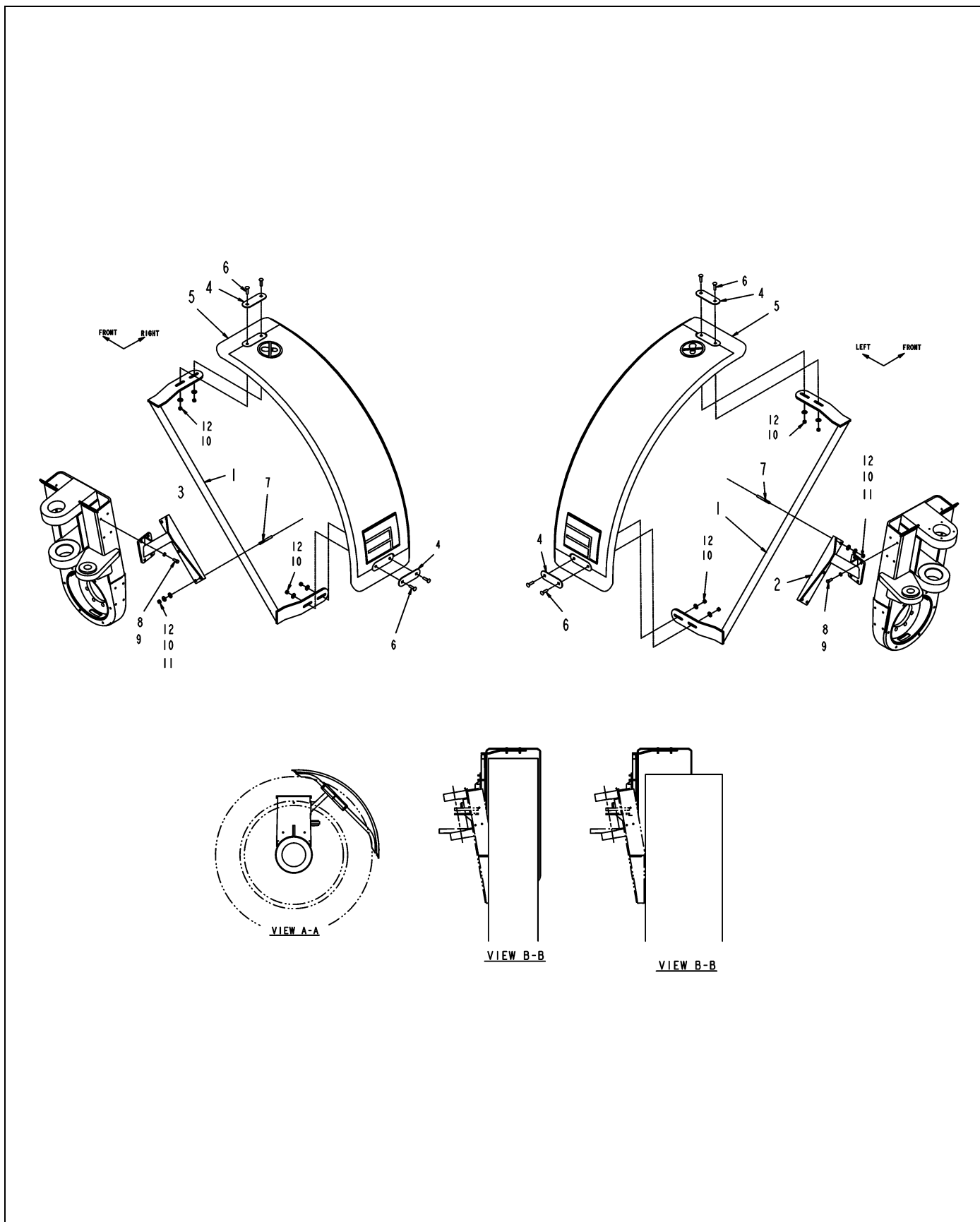


124728-A.TIF

INSTL-HEATER,HYD TANK

ITEM	PART #	QTY	DESCRIPTION	COMMENTS
0	AG513916	AR	LOCTITE HYD SEALANT BROWN	
2	AG516461	1	HEATER HYD OIL	[A]
3	AG552291	1	BUSHG 2.00X 1.00NPT REDG ML	
	FOOTNOTE [A]		CORD ONLY - AG719385	

OPTION FENDERS

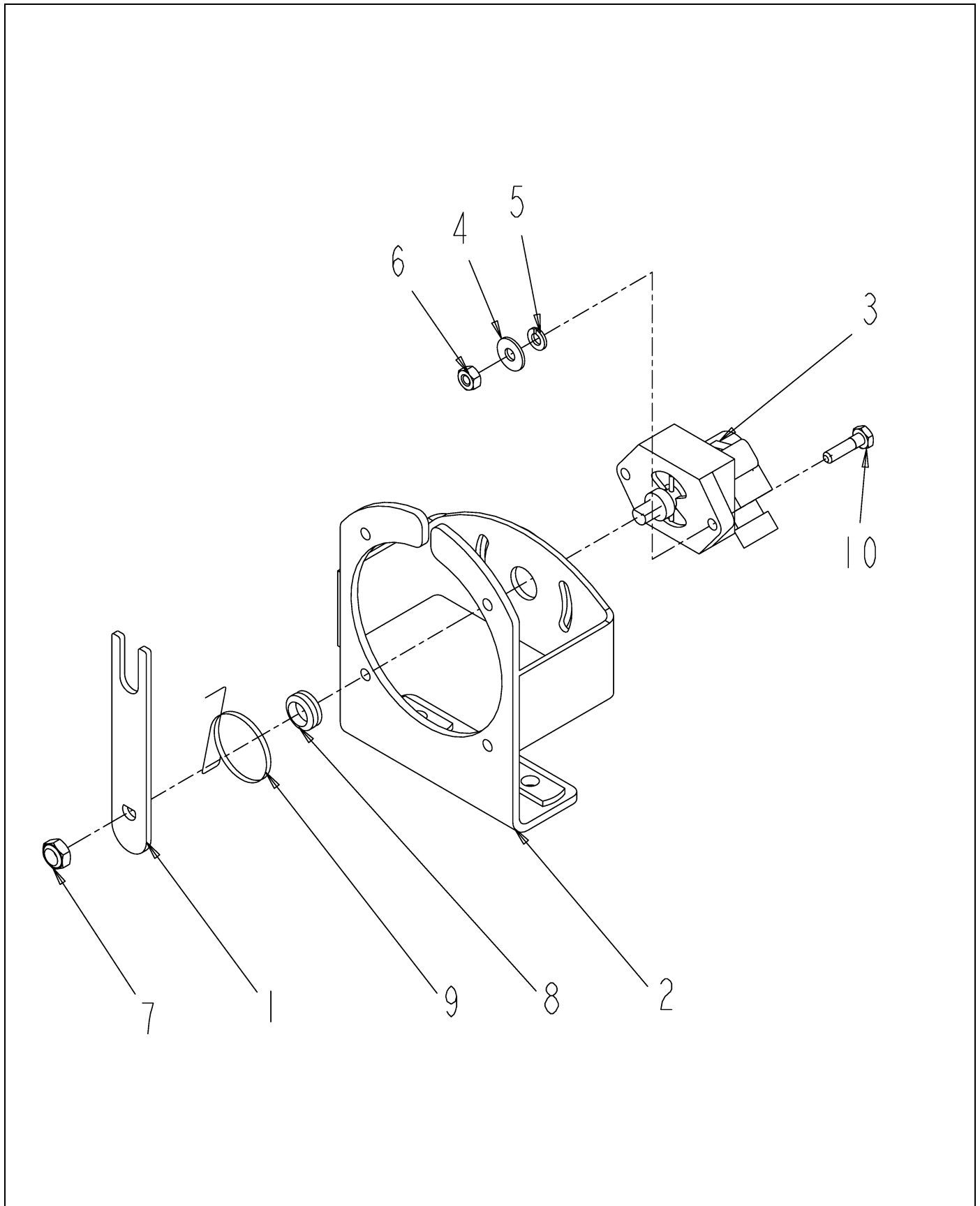


127221-02-M603-.TIF

OPTION FENDERS

ITEM	PART #	QTY	DESCRIPTION	COMMENTS
1	AG127032	4	SUPPORT WLDMT-FENDER	
2	AG127034	2	BRACKET WLDMT-MTG,FENDER,LH	
3	AG127035	2	BRACKET WLDMT-MTG,FENDER,RH	
4	AG236763	8	PLATE-MOUNTING,FENDER	
5	AG501958	4	FENDER-ROGATOR,POLY	
6	AG520944	16	BOLT-.38-16X1.5,G5,BLK,CRG	
7	AG522511	12	BOLT-U,,38-16X1.56WX2.0L,G5,ZN	
8	AG550175	16	BOLT 0.37-16NCX 1.00 G5 ZN HHD	
9	AG550191	16	WASHER 0.37 LK ZN REG	
10	AG551007	40	WASHER 0.37 FL ZN REG TYPE-B	
11	AG562438	24	WASHER 0.37 EXT-INT TOOTH ZN L	
12	AG601411	40	NUT 0.37-16NC HEX ZN REG NY	

SENSOR ASM-STEER

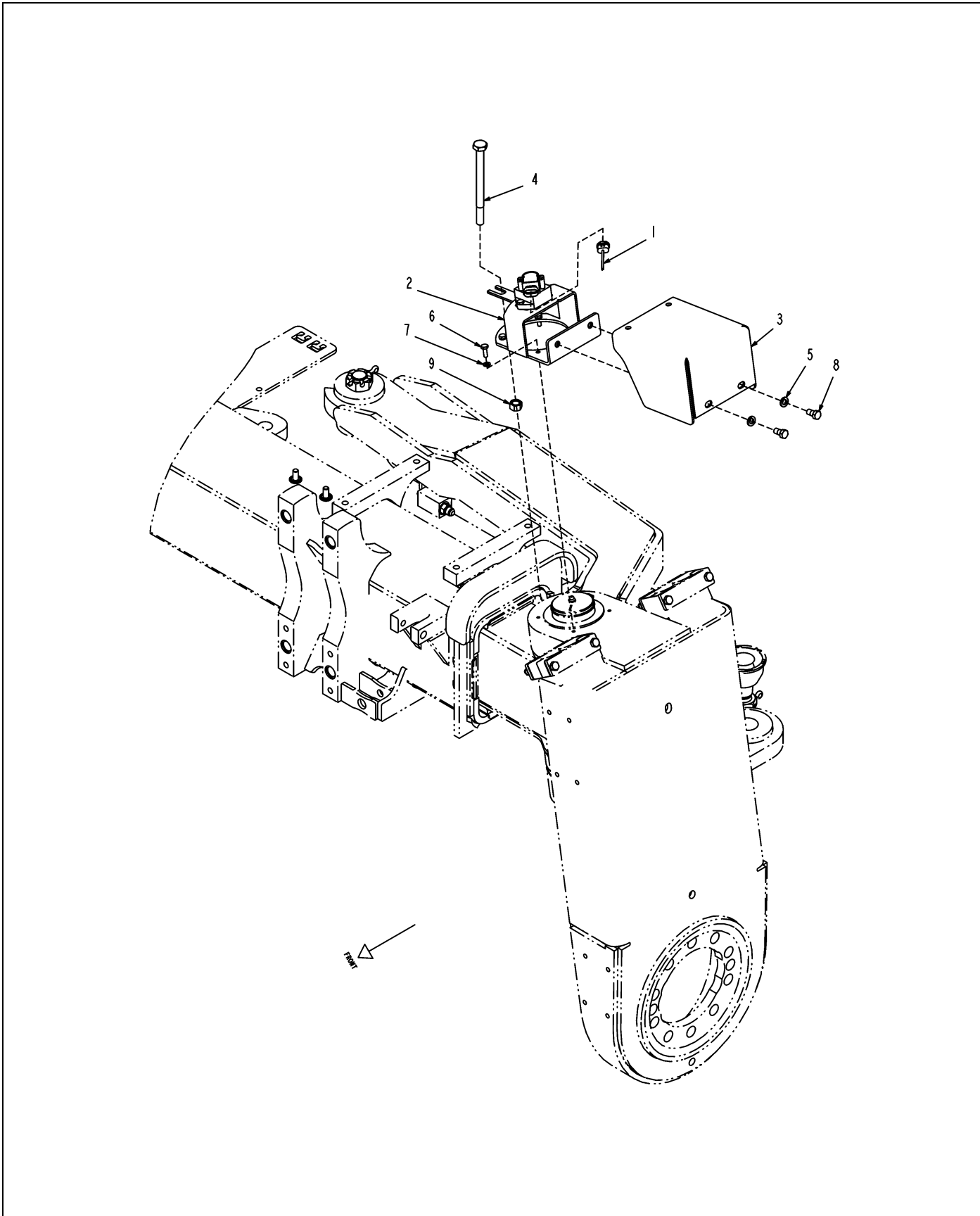


328021-B-M365-.TIF

SENSOR ASM-STEER

ITEM	PART #	QTY	DESCRIPTION	COMMENTS
1	AG262480	1	ARM-LEVER,SENSOR,STEER	
2	AG327962	1	BRACKET-MTG,SENSOR,STEER	
3	AG424577	1	SENSOR-STEER	[A]
4	AG515121	2	WASHER 0.25 FL SS REG TYPE-B	
5	AG515122	2	WASHER 0.25 LK SS REG	
6	AG515123	2	NUT 0.25-20NC HEX SS REG	
7	AG524075	1	NUT-.38-24,G2,THIN HEX,NYLOK	
8	AG524139	1	SEAL-SHAFT,V RING	
9	AG524140	1	SPRING-TOR,1.575DX.075WD	
10	AG562064	2	BOLT 0.25-20NCX 1.00 SS HHD	
	FOOTNOTE [A]		AG523861 - SENSOR ONLY	

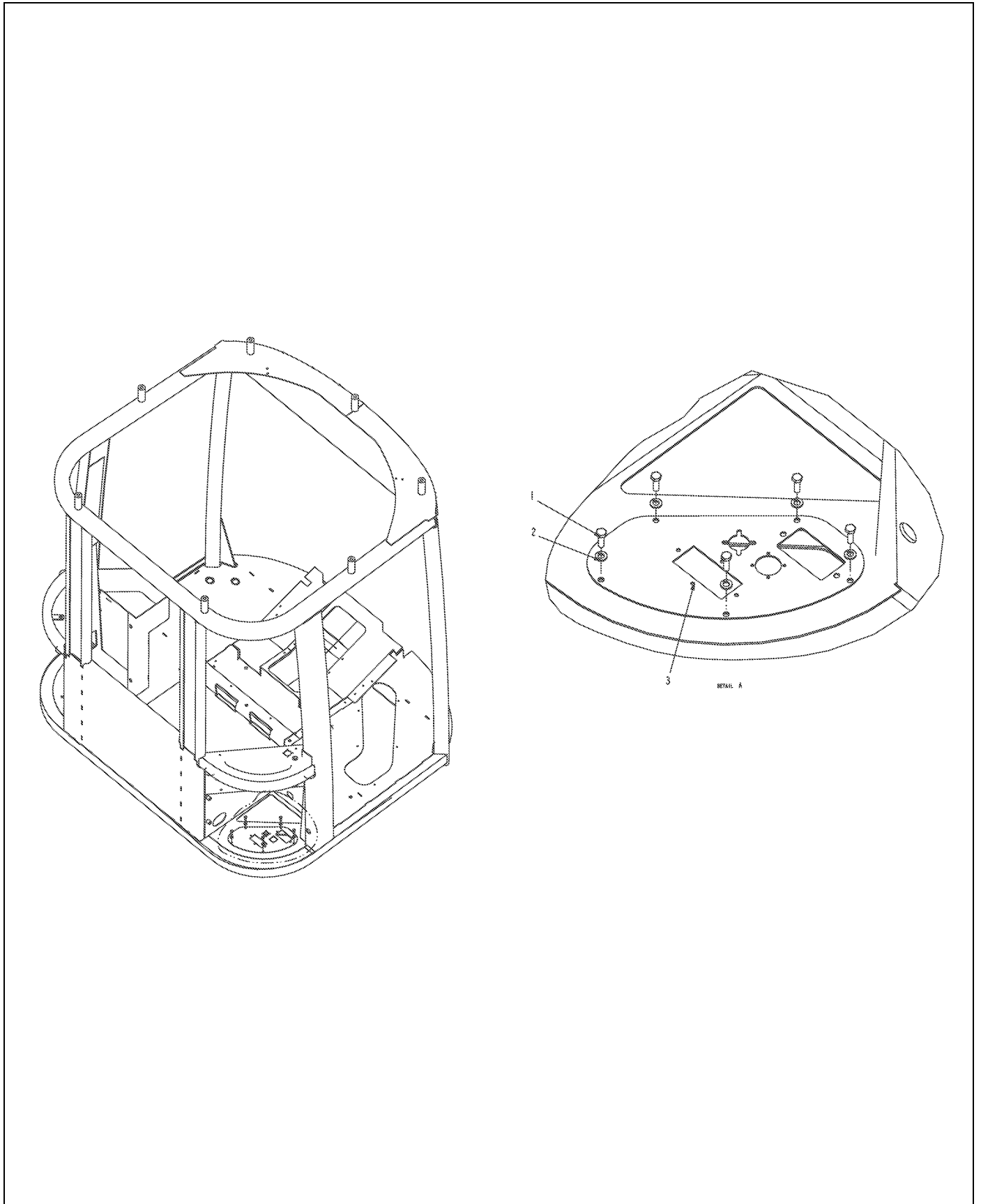
INSTL-WHEEL ANGLE SENSOR, RG



135121-01-M367-.TIF

INSTL-WHEEL ANGLE SENSOR, RG

ITEM	PART #	QTY	DESCRIPTION	COMMENTS
1	AG125706	1	HARN-WHEEL ANGLE SENSOR, TG, 3WL	
2	AG328021	1	SENSOR ASM-STEER	SEE PAGE 15-10
3	AG424595	1	COVER-SENSOR, STEER	
4	AG524144	1	SCR-.50-20X6.50, G8, ZN, HHD, CA	
5	AG550191	2	WASHER 0.37 LK ZN REG	
6	AG550485	4	BOLT 0.25-20NCX 0.75 G5 ZN HHD	
7	AG550493	4	WASHER 0.25 LK ZN REG	
8	AG551503	2	BOLT 0.37-16NCX 0.75 G5 ZN HHD	
9	AG561400	1	NUT 0.50-20NF HEX ZN REG	
10	AG553557	AR	TIE CABLE 7.37 .06-1.37 BLACK	

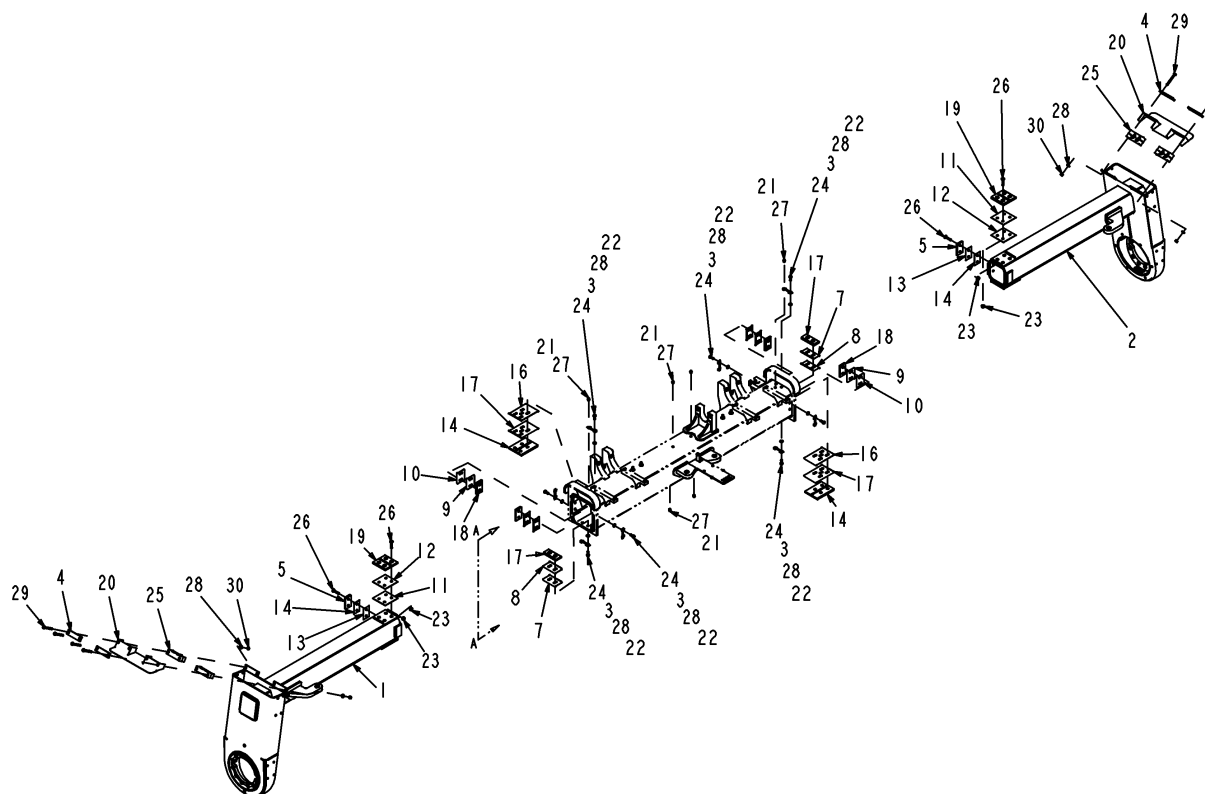


515448D1-01-N507-.TIF

INSTL-ELECTRICAL,2WS

ITEM	PART #	QTY	DESCRIPTION	COMMENTS
1	AG562327	5	BOLT M6-1.00X20MM G8.8 ZN HHD	
2	AG562792	5	WASHER LOCK M6 SPRING ZN	
3	504361D1	1	PLATE-BLKHD,RG,2WS	

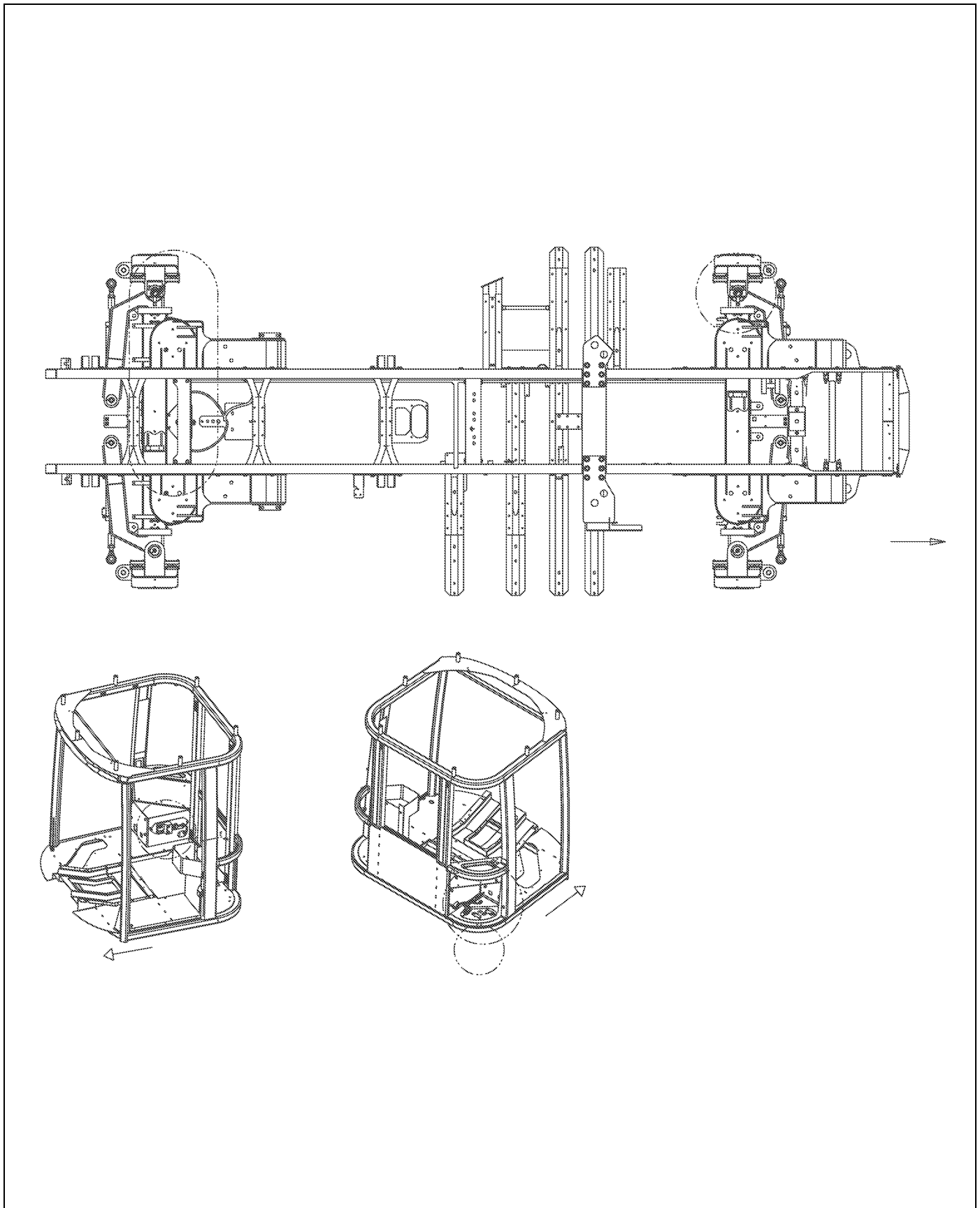
STEERING 2 WHEEL



508183D1-01-M869.TIF

STEERING 2 WHEEL

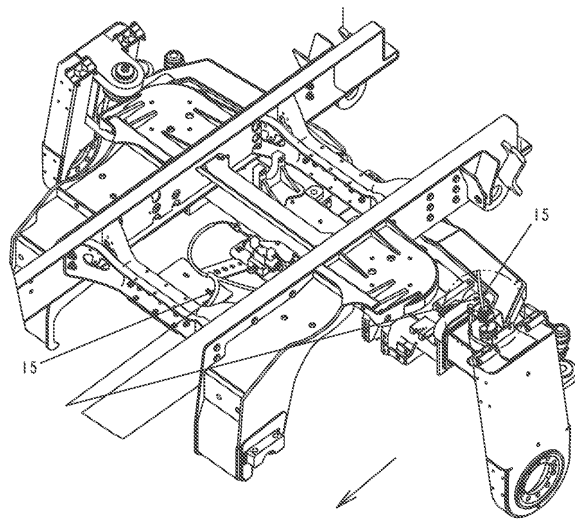
ITEM	PART #	QTY	DESCRIPTION	COMMENTS
1	AG130473	1	LEG WLDMT-WHEEL,LH REAR	
2	AG130474	1	LEG WLDMT-WHEEL,RH REAR	
3	AG233052	10	LOCK STRAP	
4	AG237961	4	PLATE-COVER	[A]
5	AG239383	2	PAD-WEAR,INNER,BOLT ON,SM,,500	
6	AG239389	AR	SHIM-WEAR PAD,BOTTOM,16GA	
7	AG239390	AR	SHIM-WEAR PAD,BOTTOM,20GA	
8	AG239391	AR	SHIM-WEAR PAD,SIDE,16GA	
9	AG239392	AR	SHIM-WEAR PAD,SIDE,20GA	
10	AG260929	AR	SHIM-WEAR PAD,LARGE,20GA	
11	AG260930	AR	SHIM-WEAR PAD,LARGE,16GA	
12	AG260931	AR	SHIM-WEAR PAD,SMALL,20GA	
13	AG260932	AR	SHIM-WEAR PAD,SMALL,16GA	
14	AG325340	2	PAD-WEAR,OUTER,PLASTIC,TOP,,44	
15	AG325341	AR	SHIM-WEAR PAD,TOP,16GA	
16	AG325342	AR	SHIM-WEAR PAD,TOP,20GA	
17	AG325344	2	PAD-WEAR,OUTER,PLASTIC,BOT,,44	
18	AG325345	4	PAD-WEAR,OUTER,PLASTIC,SD,.50	
19	AG326552	2	PAD-WEAR,STEEL,LARGE	
20	AG423319	2	COVER WLDMT-WHEEL LEG,REAR	
21	AG511099	AR	GREASE-MULTI PURPOSE LITH.	
22	AG512885	AR	LOCTITE ADHESIVE SEALANT BLUE	
23	AG518511	12	NUT FLANGE .38-24 UNF	
24	AG519184	20	BOLT 0.37-24NFX 1.00 G5 ZN HHD	
25	AG521587	4	CLAMP-TWIN,1.50,POLY	
26	AG522486	12	SCR-.38-24X2.00,G8,S,FH,CA	
27	AG550280	6	FITTING LUB.12-27NPTFX0.68	
28	AG550981	28	WASHER 0.37 FL ZN NAR TYPE-B	
29	AG551058	8	BOLT 0.37-16NCX 3.25 G5 ZN HHD	
30	AG557676	8	NUT 0.37-16NC HEX ZN C-LK	
	FOOTNOTE [A]		PLATE THAT COVER BOLTS - AG237959	



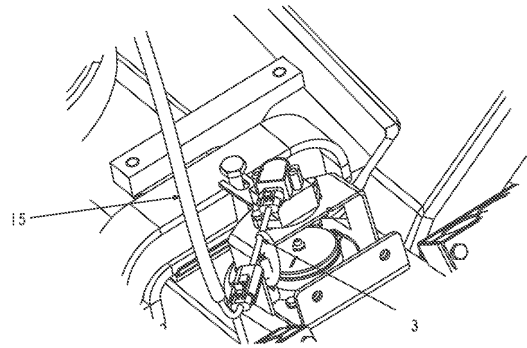
515449D1-01-N507-01.TIF

INSTL-ELECTRICAL,4WS

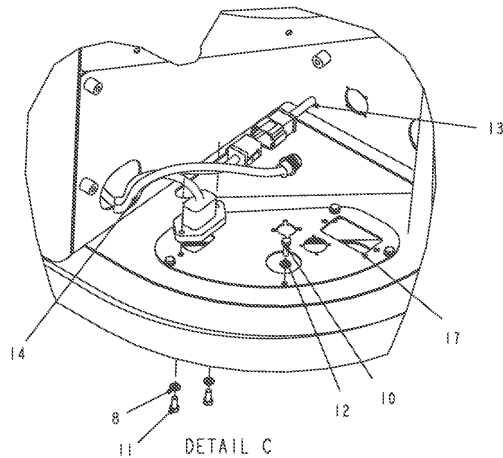
ITEM	PART #	QTY	DESCRIPTION	COMMENTS
	FOOTNOTE		ASSEMBLY DETAIL IMAGE, SEE RELATED PAGES FOR FURTHER BREAKDOWNS	



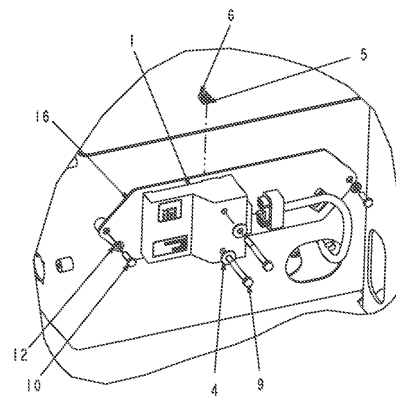
DETAIL A



DETAIL B



DETAIL C

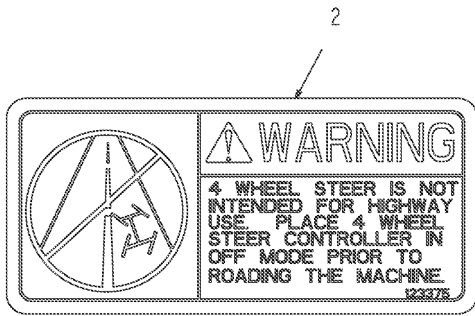


DETAIL D

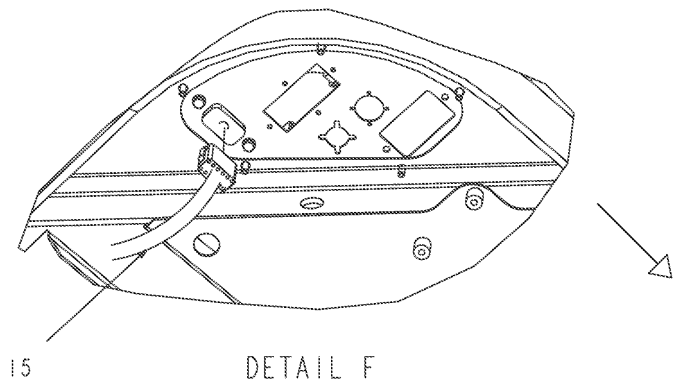
515449D1-01-N507-02.TIF

INSTL-ELECTRICAL,4WS

ITEM	PART #	QTY	DESCRIPTION	COMMENTS
1	AG120949	1	CONTROLLER-4WS	
3	AG126115	2	HARNESS-4WS,SENSOR FILTER	
4	AG515121	2	WASHER 0.25 FL SS REG TYPE-B	
5	AG515122	2	WASHER 0.25 LK SS REG	
6	AG515123	2	NUT 0.25-20NC HEX SS REG	
7	AG520962	-	AMPLIFIER-RADAR	
8	AG550493	2	WASHER 0.25 LK ZN REG	
9	AG562099	2	BOLT 0.25-20NCX 2.50 SS HHD	
10	AG562327	7	BOLT M6-1.00X20MM G8.8 ZN HHD	
11	AG562639	2	BOLT M6 1.00X12MM G8.8 ZN HHD	
12	AG562792	7	WASHER LOCK M6 SPRING ZN	
13	512665D1	-	HARNESS-ADAPTER,1274C	
14	504007D1	1	HARNESS-4WS,IN CAB,1274C	
15	504008D1	1	HARNESS-4WS,CHASSIS,1274C	
16	504009D1	1	BRKT-CONTROLLER,4WS,06	
17	504010D1	1	PLATE-BLKHD,RG,4WS	



VIEW E-E

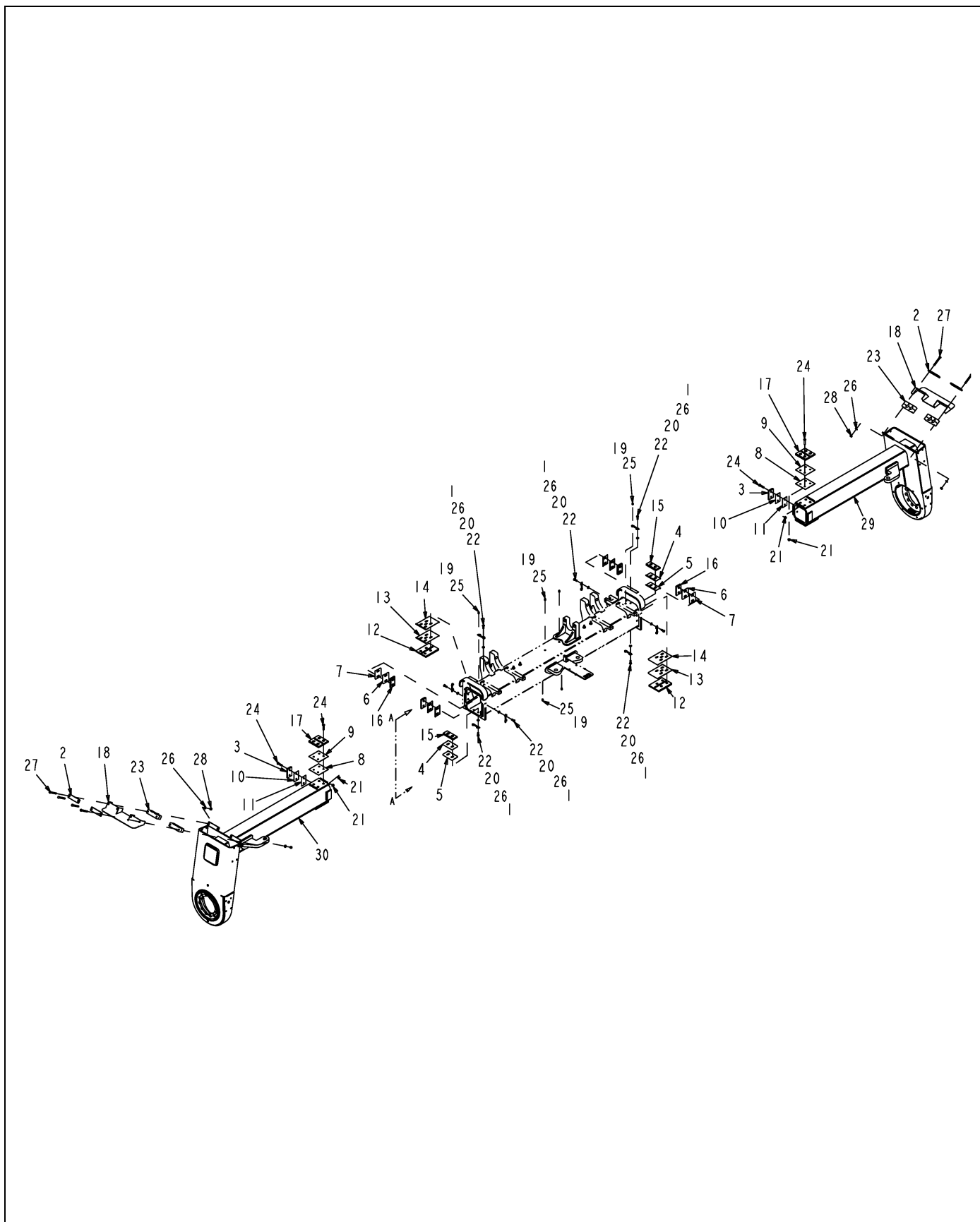


515449D1-01-N507-03.TIF

INSTL-ELECTRICAL,4WS

ITEM	PART #	QTY	DESCRIPTION	COMMENTS
2	AG123375	1	DECAL-4WS WARNING	
15	504008D1	1	HARNESS-4WS,CHASSIS,1274C	

STEERING 2 WHEEL

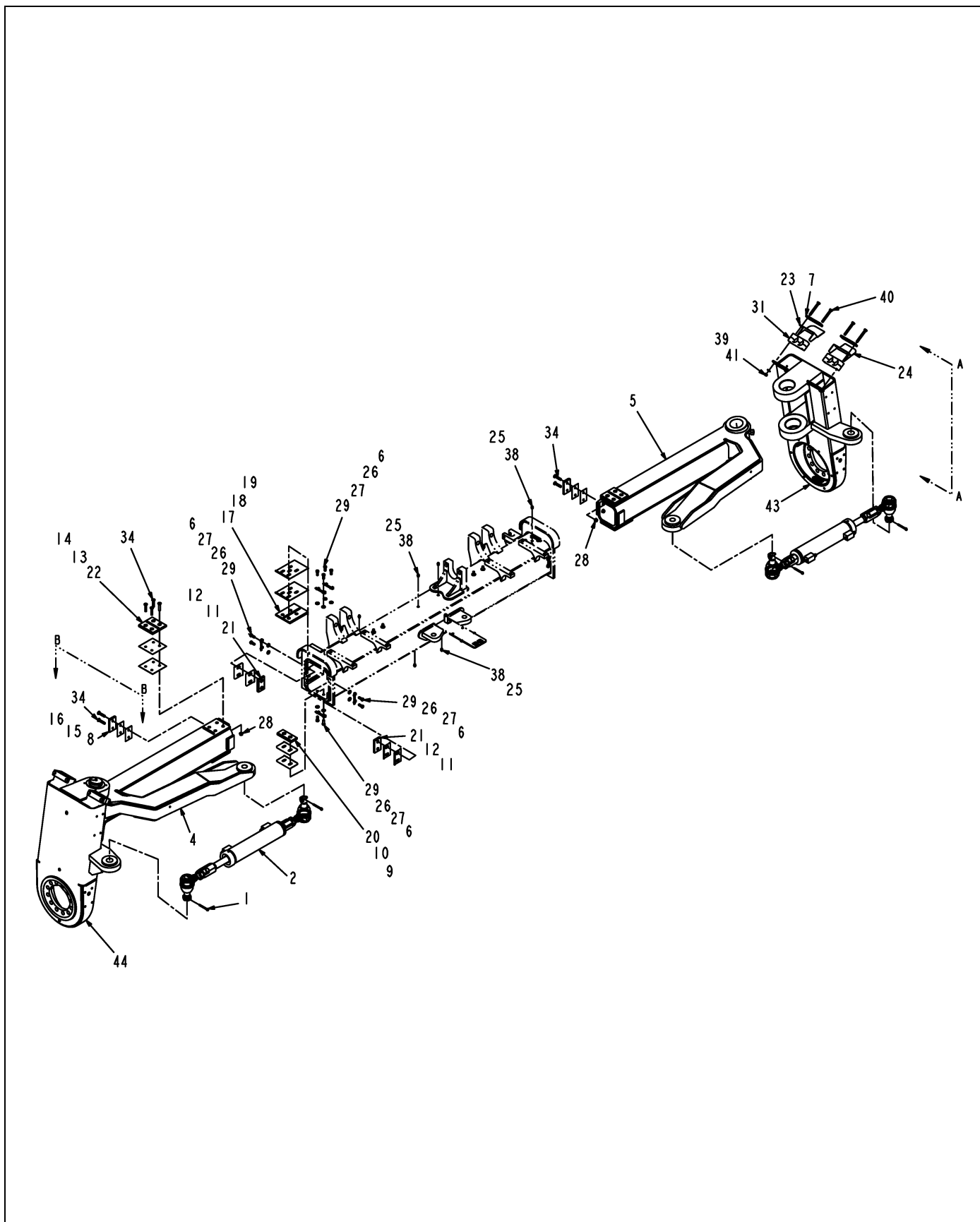


507809D1-02-N146-01.TIF

STEERING 2 WHEEL

ITEM	PART #	QTY	DESCRIPTION	COMMENTS
1	AG233052	10	LOCK STRAP	
2	AG237961	4	PLATE-COVER	[A]
3	AG239383	2	PAD-WEAR,INNER,BOLT ON,SM, .500	
4	AG239389	AR	SHIM-WEAR PAD,BOTTOM,16GA	
5	AG239390	AR	SHIM-WEAR PAD,BOTTOM,20GA	
6	AG239391	AR	SHIM-WEAR PAD,SIDE,16GA	
7	AG239392	AR	SHIM-WEAR PAD,SIDE,20GA	
8	AG260929	AR	SHIM-WEAR PAD,LARGE,20GA	
9	AG260930	AR	SHIM-WEAR PAD,LARGE,16GA	
10	AG260931	AR	SHIM-WEAR PAD,SMALL,20GA	
11	AG260932	AR	SHIM-WEAR PAD,SMALL,16GA	
12	AG325340	2	PAD-WEAR,OUTER,PLASTIC, TOP, .44	
13	AG325341	AR	SHIM-WEAR PAD, TOP, 16GA	
14	AG325342	AR	SHIM-WEAR PAD, TOP, 20GA	
15	AG325344	2	PAD-WEAR,OUTER,PLASTIC,BOT, .44	
16	AG325345	4	PAD-WEAR,OUTER,PLASTIC,SD, .50	
17	AG326552	2	PAD-WEAR,STEEL,LARGE	
18	AG423319	2	COVER WLDMT-WHEEL LEG,REAR	
19	AG511099	AR	GREASE-MULTI PURPOSE LITH.	
20	AG512885	AR	LOCTITE ADHESIVE SEALANT BLUE	
21	AG518511	12	NUT FLANGE .38-24 UNF	
22	AG519184	20	BOLT 0.37-24NFX 1.00 G5 ZN HHD	
23	AG521587	4	CLAMP-TWIN,1.50,POLY	
24	AG522486	12	SCR-.38-24X2.00,G8,S,FH,CA	
25	AG550280	6	FITTING LUB.12-27NPTFX0.68	
26	AG550981	28	WASHER 0.37 FL ZN NAR TYPE-B	
27	AG551058	8	BOLT 0.37-16NCX 3.25 G5 ZN HHD	
28	AG557676	8	NUT 0.37-16NC HEX ZN C-LK	
29	507810D1	1	LEG WLDMT-WHEEL,REAR,RH	
30	507811D1	1	LEG WLDMT-WHEEL,REAR,LH	
	FOOTNOTE [A]		PLATE THAT COVER BOLTS - AG237959	

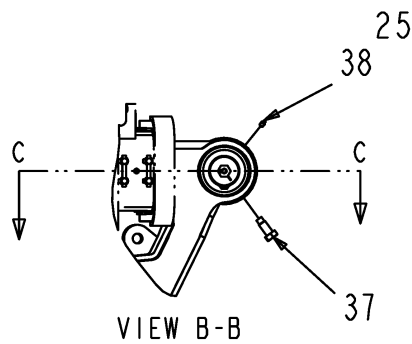
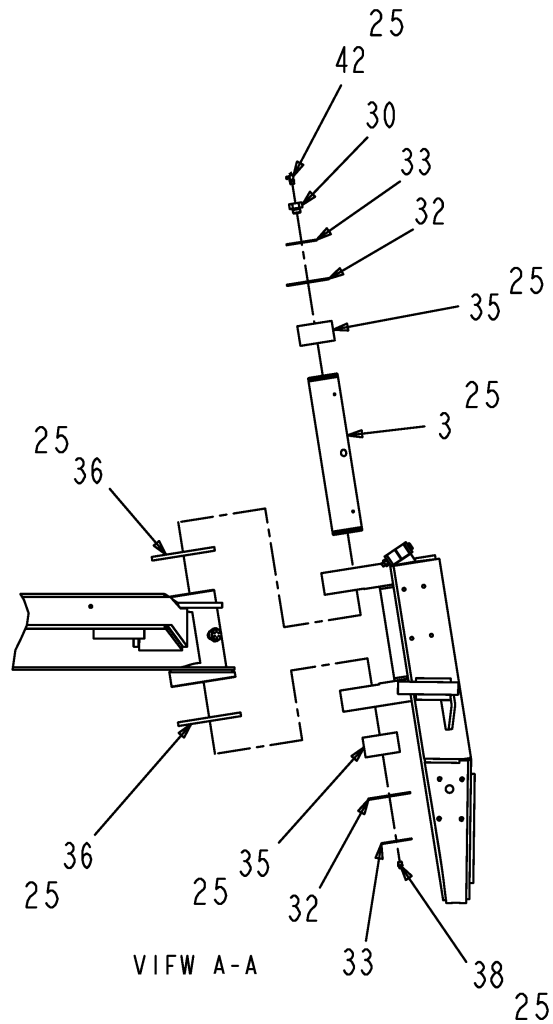
CHASSIS ASM-REAR SUSP.4WHL STR



507805D1-01-M869-01.TIF

CHASSIS ASM-REAR SUSP.4WHL STR

ITEM	PART #	QTY	DESCRIPTION	COMMENTS
1	AG029339	4	PIN COTTER 0.25X2.25	
2	AG130018	2	CYLINDER ASM-STEERING,REAR	
4	AG130354	1	AXLE WLDMT-6X6,STEERABLE,LH	
5	AG130356	1	AXLE WLDMT-6X6,STEERABLE,RH	
6	AG233052	10	LOCK STRAP	
7	AG237961	4	PLATE-COVER	[A]
8	AG239383	2	PAD-WEAR,INNER,BOLT ON,SM,,500	
9	AG239389	AR	SHIM-WEAR PAD,BOTTOM,16GA	
10	AG239390	AR	SHIM-WEAR PAD,BOTTOM,20GA	
11	AG239391	AR	SHIM-WEAR PAD,SIDE,16GA	
12	AG239392	AR	SHIM-WEAR PAD,SIDE,20GA	
13	AG260929	AR	SHIM-WEAR PAD,LARGE,20GA	
14	AG260930	AR	SHIM-WEAR PAD,LARGE,16GA	
15	AG260931	AR	SHIM-WEAR PAD,SMALL,20GA	
16	AG260932	AR	SHIM-WEAR PAD,SMALL,16GA	
17	AG325340	2	PAD-WEAR,OUTER,PLASTIC,TOP,,44	
18	AG325341	AR	SHIM-WEAR PAD,TOP,16GA	
19	AG325342	AR	SHIM-WEAR PAD,TOP,20GA	
20	AG325344	2	PAD-WEAR,OUTER,PLASTIC,BOT,,44	
21	AG325345	4	PAD-WEAR,OUTER,PLASTIC,SD,,50	
22	AG326552	2	PAD-WEAR,STEEL,LARGE	
23	AG423320	2	COVER-WHEEL LEG,RH	
24	AG423321	2	COVER-WHEEL LEG,LH	
25	AG511099	AR	GREASE-MULTI PURPOSE LITH.	
26	AG512885	AR	LOCTITE ADHESIVE SEALANT BLUE	
27	AG514559	20	WASHER 0.37 FL ZN SAE TYP-A G8	
28	AG518511	12	NUT FLANGE .38-24 UNF	
29	AG519184	20	BOLT 0.37-24NFX 1.00 G5 ZN HHD	
31	AG521587	4	CLAMP-TWIN,1.50,POLY	
34	AG522486	12	SCR-.38-24X2.00,G8,S,FH,CA	
38	AG550280	10	FITTING LUB.12-27NPTFX0.68	
39	AG550981	8	WASHER 0.37 FL ZN NAR TYPE-B	
40	AG551058	8	BOLT 0.37-16NCX 3.25 G5 ZN HHD	
41	AG557676	8	NUT 0.37-16NC HEX ZN C-LK	
43	507806D1	1	LEG-WHEEL,STEER,RH,MACHINING	
44	507808D1	1	LEG-WHEEL,STEER,LH,MACHINING	
	FOOTNOTE [A]		PLATE THAT COVER BOLTS - AG237959	

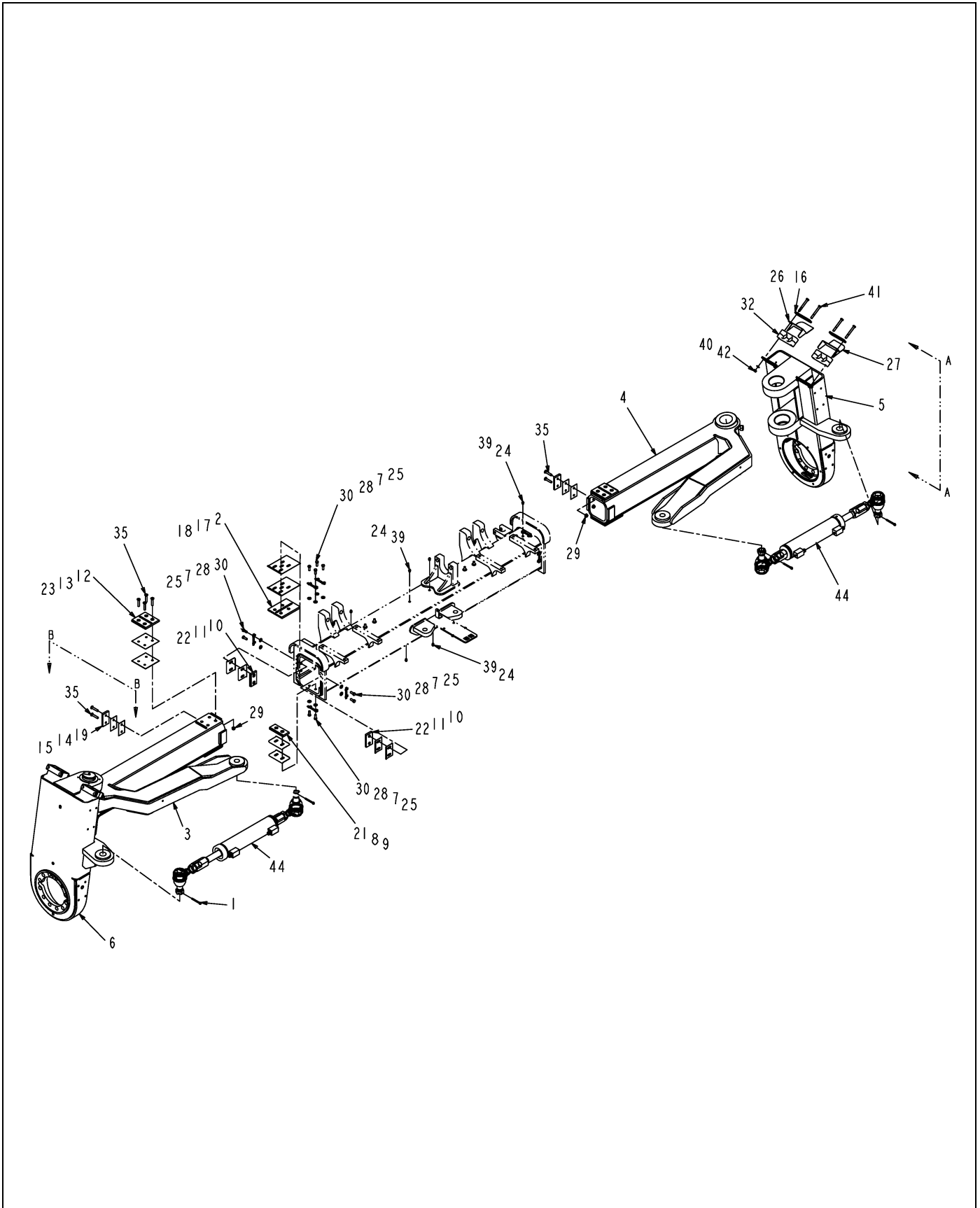


507805D1-01-M869-02.TIF

CHASSIS ASM-REAR SUSP.4WHL STR

ITEM	PART #	QTY	DESCRIPTION	COMMENTS
3	AG130173	2	PIN-KING,3.00	
25	AG511099	AR	GREASE-MULTI PURPOSE LITH.	
30	AG519525	2	BUSHING REDUCER 0.75NCX.125NPT	
32	AG522356	4	BUSHING-MACHINERY,HEAVY,3.00ID	
33	AG522357	4	RING-RETAINING,EXT,3.00 DIA	
35	AG522722	4	BUSHING-JOURNAL,KING PIN	
36	AG522723	4	BUSHING-THRUST,KING PIN	
37	AG524111	2	BOLT	
38	AG550280	10	FITTING LUB.12-27NPTFX0.68	
42	AG559083	2	FITTING LUB 90D 0.125 NPTF	

CHASSIS ASM-REAR SUSP,4WHL STR

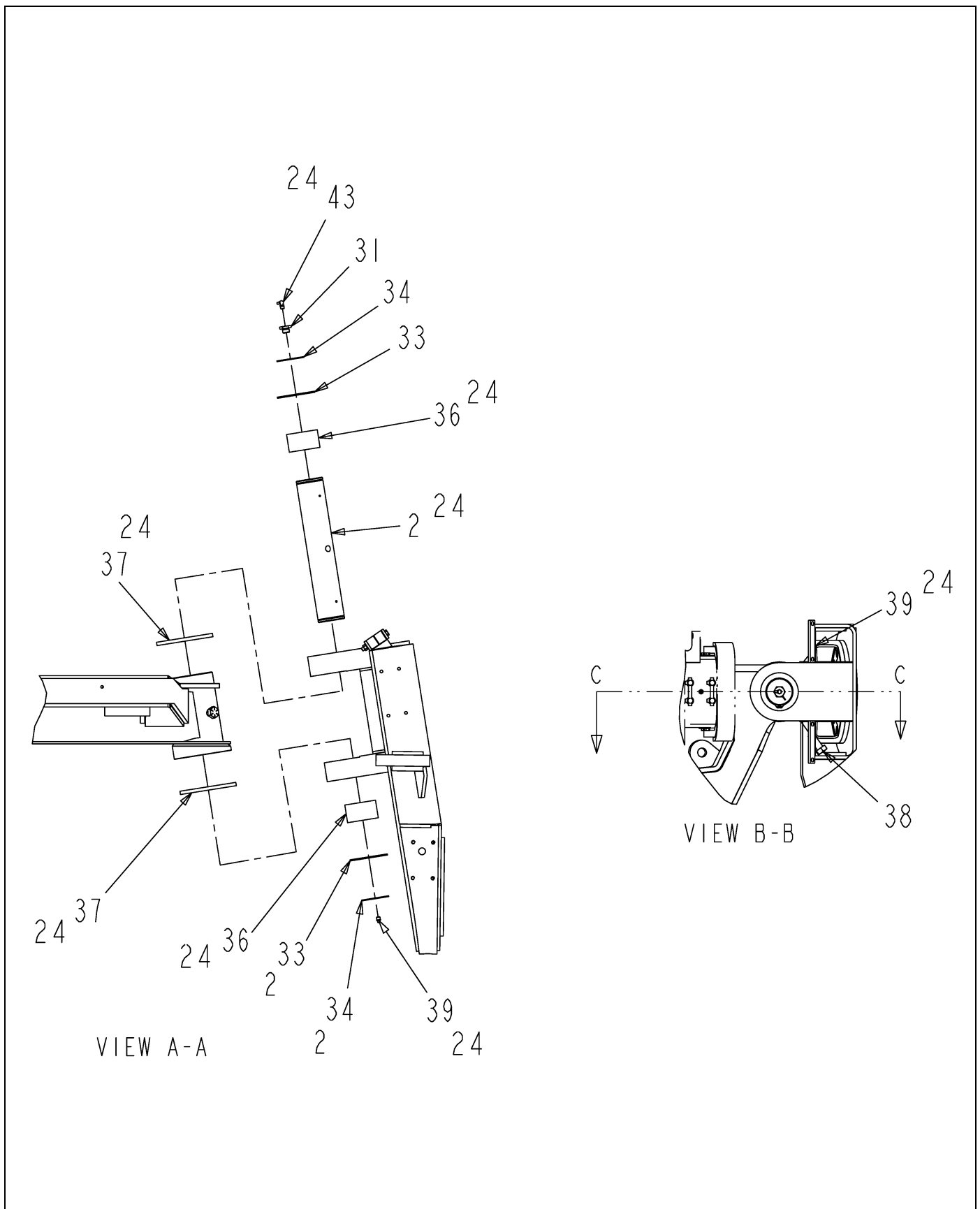


511612D1-02-N800-01.TIF

CHASSIS ASM-REAR SUSP,4WHL STR

ITEM	PART #	QTY	DESCRIPTION	COMMENTS
1	AG029339	4	PIN COTTER 0.25X2.25	
2	AG130173	2	PIN-KING,3.00	
3	AG130354	1	AXLE WLDMT-6X6,STEERABLE,LH	
4	AG130356	1	AXLE WLDMT-6X6,STEERABLE,RH	
5	AG130471	1	LEG-WHEEL,MACHINING,RH REAR	
6	AG130472	1	LEG-WHEEL,MACHINING,LH REAR	
7	AG233052	10	LOCK STRAP	
8	AG239389	AR	SHIM-WEAR PAD,BOTTOM,16GA	
9	AG239390	AR	SHIM-WEAR PAD,BOTTOM,20GA	
10	AG239391	AR	SHIM-WEAR PAD,SIDE,16GA	
11	AG239392	AR	SHIM-WEAR PAD,SIDE,20GA	
12	AG260929	AR	SHIM-WEAR PAD,LARGE,20GA	
13	AG260930	AR	SHIM-WEAR PAD,LARGE,16GA	
14	AG260931	AR	SHIM-WEAR PAD,SMALL,20GA	
15	AG260932	AR	SHIM-WEAR PAD,SMALL,16GA	
16	AG237961	4	PLATE-COVER	[A]
17	AG325341	AR	SHIM-WEAR PAD, TOP, 16GA	
18	AG325342	AR	SHIM-WEAR PAD, TOP, 20GA	
19	AG239383	2	PAD-WEAR, INNER, BOLT ON, SM, .500	
20	AG325340	2	PAD-WEAR, OUTER, PLASTIC, TOP, .44	
21	AG325344	2	PAD-WEAR, OUTER, PLASTIC, BOT, .44	
22	AG325345	4	PAD-WEAR, OUTER, PLASTIC, SD, .50	
23	AG326552	2	PAD-WEAR, STEEL, LARGE	
24	AG511099	AR	GREASE-MULTI PURPOSE LITH.	
25	AG512885	AR	LOCTITE ADHESIVE SEALANT BLUE	
26	AG423320	2	COVER-WHEEL LEG, RH	
27	AG423321	2	COVER-WHEEL LEG, LH	
28	AG514559	20	WASHER 0.37 FL ZN SAE TYP-A G8	
29	AG518511	12	NUT FLANGE .38-24 UNF	
30	AG519184	20	BOLT 0.37-24NFX 1.00 G5 ZN HHD	
32	AG521587	4	CLAMP-TWIN, 1.50, POLY	
35	AG522486	12	SCR-.38-24X2.00, G8, S, FH, CA	
39	AG550280	10	FITTING LUB. 12-27NPTFX0.68	
40	AG550981	8	WASHER 0.37 FL ZN NAR TYPE-B	
41	AG551058	8	BOLT 0.37-16NCX 3.25 G5 ZN HHD	
42	AG557676	8	NUT 0.37-16NC HEX ZN C-LK	
44	509915D1	2	CYLINDER ASM-STEERING, REAR	SEE PAGE 5-37
	FOOTNOTE [A]		PLATE THAT COVER BOLTS - AG237959	

CHASSIS ASM-REAR SUSP,4WHL STR

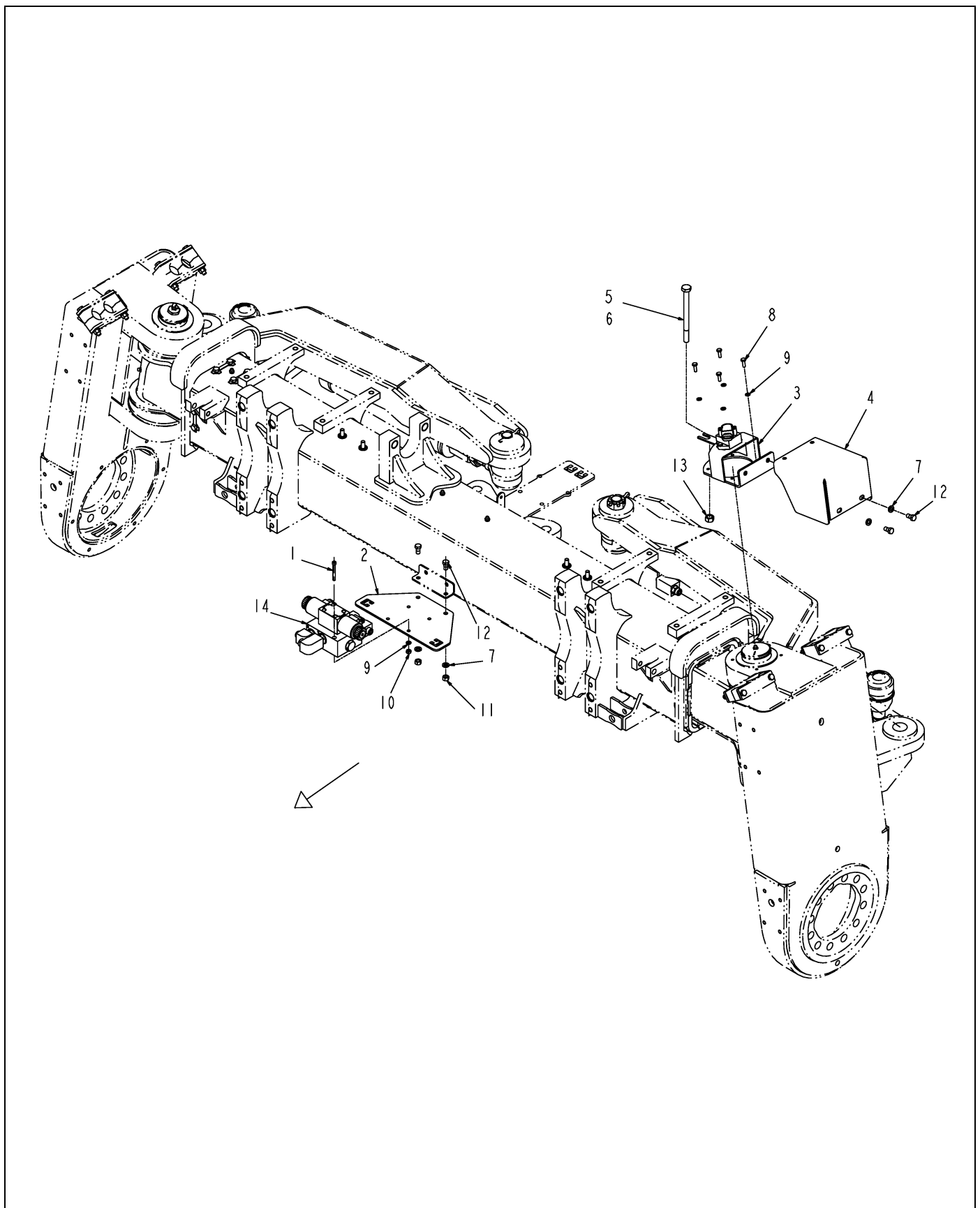


511612D1-02-N800-02.TIF

CHASSIS ASM-REAR SUSP,4WHL STR

ITEM	PART #	QTY	DESCRIPTION	COMMENTS
2	AG130173	2	PIN-KING,3.00	
24	AG511099	AR	GREASE-MULTI PURPOSE LITH.	
31	AG519525	2	BUSHING REDUCER 0.75NCX.125NPT	
33	AG522356	4	BUSHING-MACHINERY,HEAVY,3.00ID	
34	AG522357	4	RING-RETAINING,EXT,3.00 DIA	
36	AG522722	4	BUSHING-JOURNAL,KING PIN	
37	AG522723	4	BUSHING-THRUST,KING PIN	
38	AG524111	2	BOLT	
39	AG550280	10	FITTING LUB.12-27NPTFX0.68	
43	AG559083	2	FITTING LUB 90D 0.125 NPTF	

COMPONENT INSTL-4 WHL STR

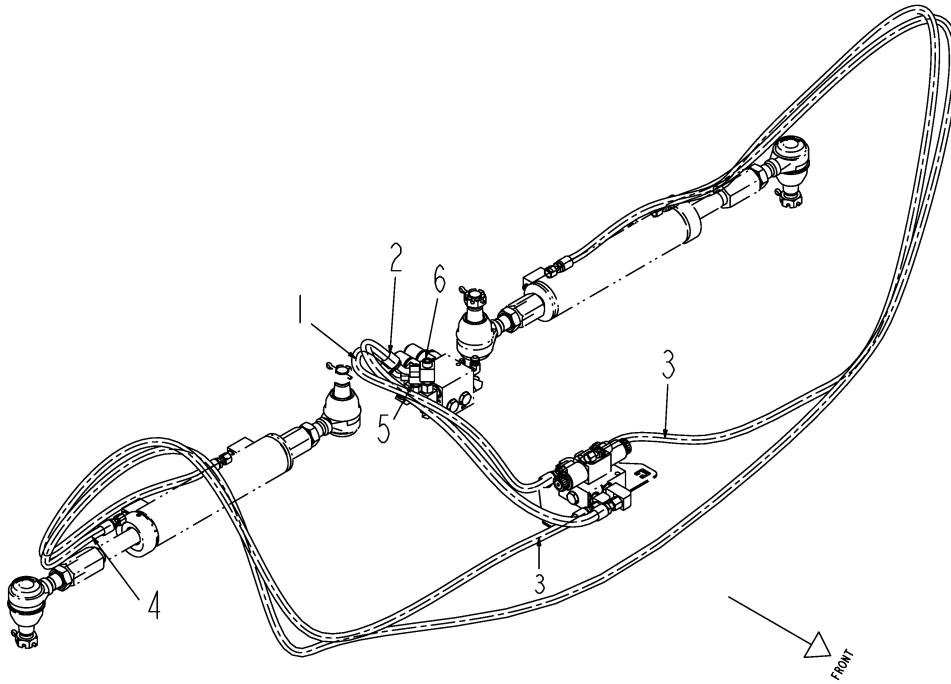


511613D1-01-N308-.TIF

COMPONENT INSTL-4 WHL STR

ITEM	PART #	QTY	DESCRIPTION	COMMENTS
1	AG122778	2	BOLT 0.25-20X2.00 G5 ZN SOC HD	
2	AG122836	1	BRACKET-MTG,PROPORTIONAL VALVE	
3	AG328021	2	SENSOR ASM-STEER	SEE PAGE 15-10
4	AG424595	2	COVER-SENSOR,STEER	
5	AG512885	-	LOCTITE ADHESIVE SEALANT BLUE	
6	AG524144	2	SCR-.50-20X6.50,G8,ZN,HHD,CA	
7	AG550191	6	WASHER 0.37 LK ZN REG	
8	AG550485	8	BOLT 0.25-20NCX 0.75 G5 ZN HHD	
9	AG550493	10	WASHER 0.25 LK ZN REG	
10	AG550612	2	NUT 0.25-20NC HEX ZN REG	
11	AG550825	2	NUT 0.37-16NC HEX ZN REG	
12	AG551503	6	BOLT 0.37-16NCX 0.75 G5 ZN HHD	
13	AG561400	2	NUT 0.50-20NF HEX ZN REG	
14	511616D1	1	VALVE ASM-4 WHL STR	SEE PAGE 5-39

HOSE INSTL-4 WHL STR

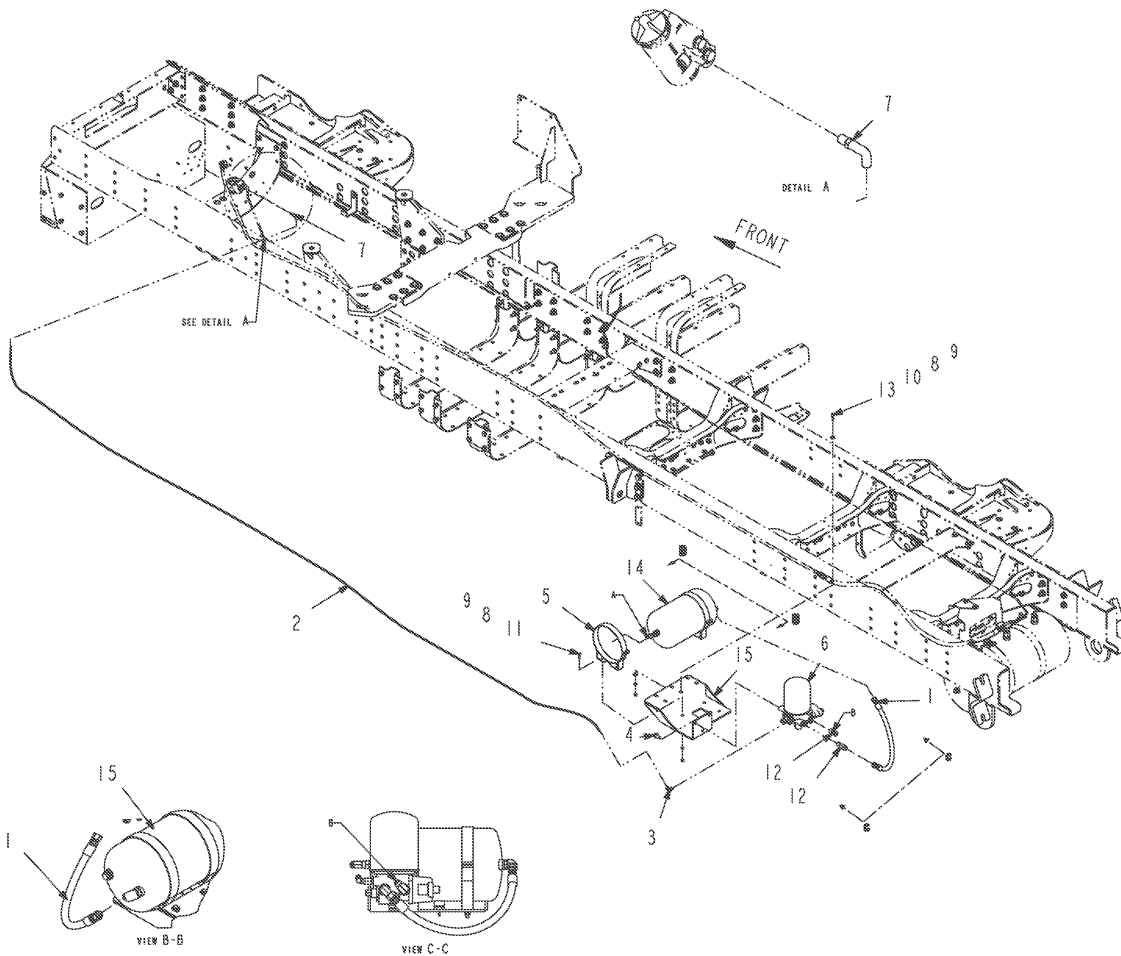


511614D1-01-N308-.TIF

HOSE INSTL-4 WHL STR

ITEM	PART #	QTY	DESCRIPTION	COMMENTS
1	512206D1	-	HOSE ASM,-6 X 39.5 ORFS/ORFS45	
2	512207D1	-	HOSE ASM,-8 X 40.5 ORFS/ORFS45	
3	512208D1	-	HOSE ASM,-06 X 120.0 ORFS/ORFS	
4	512209D1	-	HOSE ASM,-06 X 210.0 ORFS/ORFS	
5	CH148-8433	1	TEE AS-6 ORFS X 3	SEE PAGE 5-68
6	CH148-8444	1	TEE-SWIVEL 3X -8 ORFS	

OPT-HIGH VOLUME AIR SYSTEM

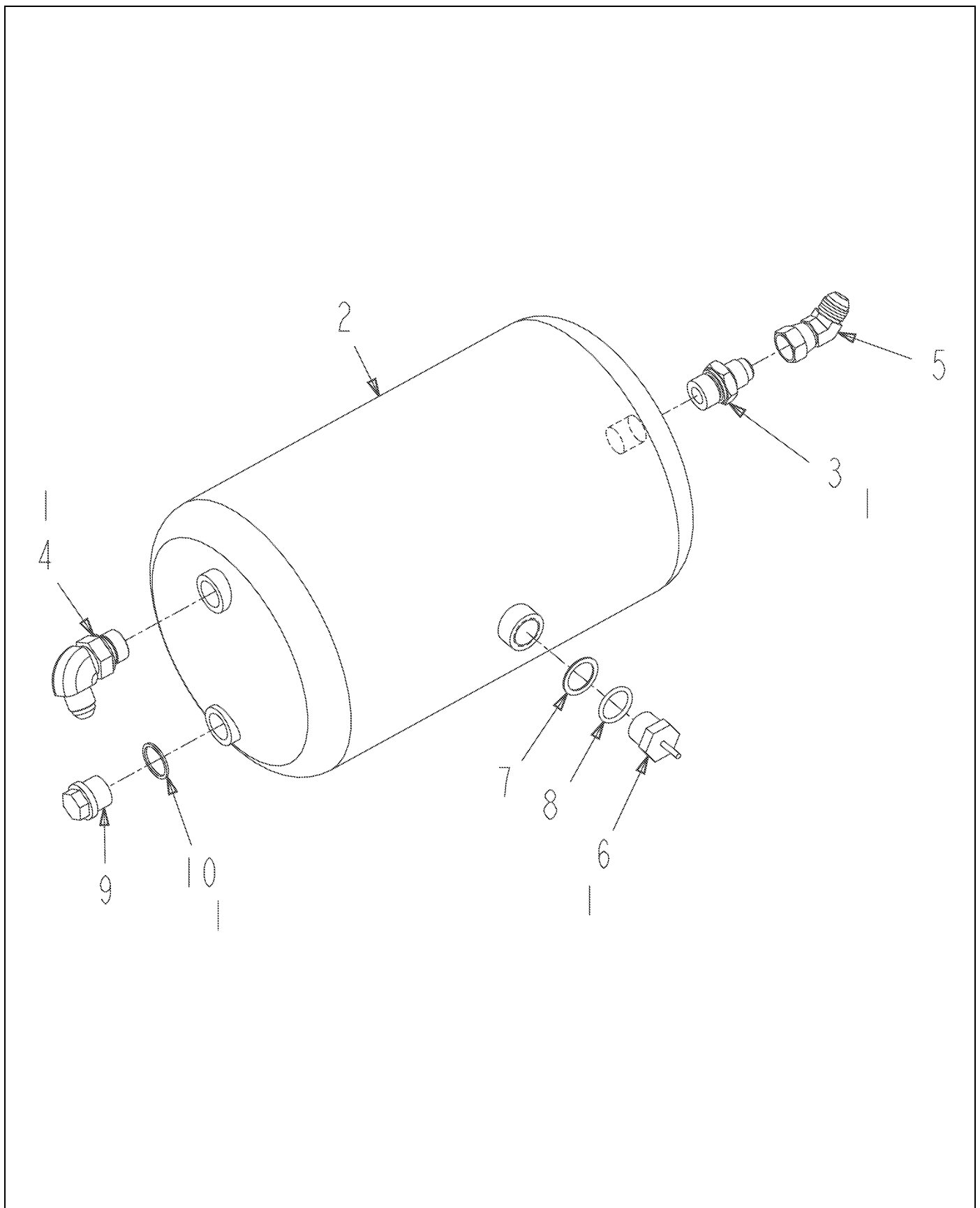


514784D1-01-R006-.TIF

OPT-HIGH VOLUME AIR SYSTEM

ITEM	PART #	QTY	DESCRIPTION	COMMENTS
1	AG130217	1	HOSE ASM-8X25.29 FJS/FJS	
2	AG511021	-	TUBING 0.25 OD NYLON BLACK [BULK: 15.084 FT]	
3	AG516643	1	ELBOW 90D 0.25TUBE X0.25NPT	
4	AG520627	3	BOLT-.50-13X1.00,G5,ZN,FLG,HHD	
5	AG520940	2	BAND-MOUNTING	
6	AG520964	1	DRYER-AIR,SINGLE CANISTER	SEE PAGE 6-16
7	AG522196	1	ELBOW-90D,SWVL,L,,12MNPTFX.25T	
8	AG550205	10	WASHER 0.31 LK ZN REG	
9	AG550213	10	NUT 0.31-18NC HEX ZN REG	
10	AG551015	12	WASHER 0.31 FL ZN REG TYPE-B	
11	AG551252	4	BOLT 0.31-18NCX 1.00 G5 ZN HHD	
12	AG552860	2	ELBOW -8MP90 X -8MJ	
13	AG559105	6	BOLT 0.31-18NCX 1.25 G5 ZN HHD	
14	514787D1	1	RESERVOIR ASM-AIR,HI-VOL,10L	SEE PAGE 15-25
15	515594D1	1	WLDMT-MTG,AIR DRYER/TANK	
	FOOTNOTE		Effective S/N (Txx1001) and up.	

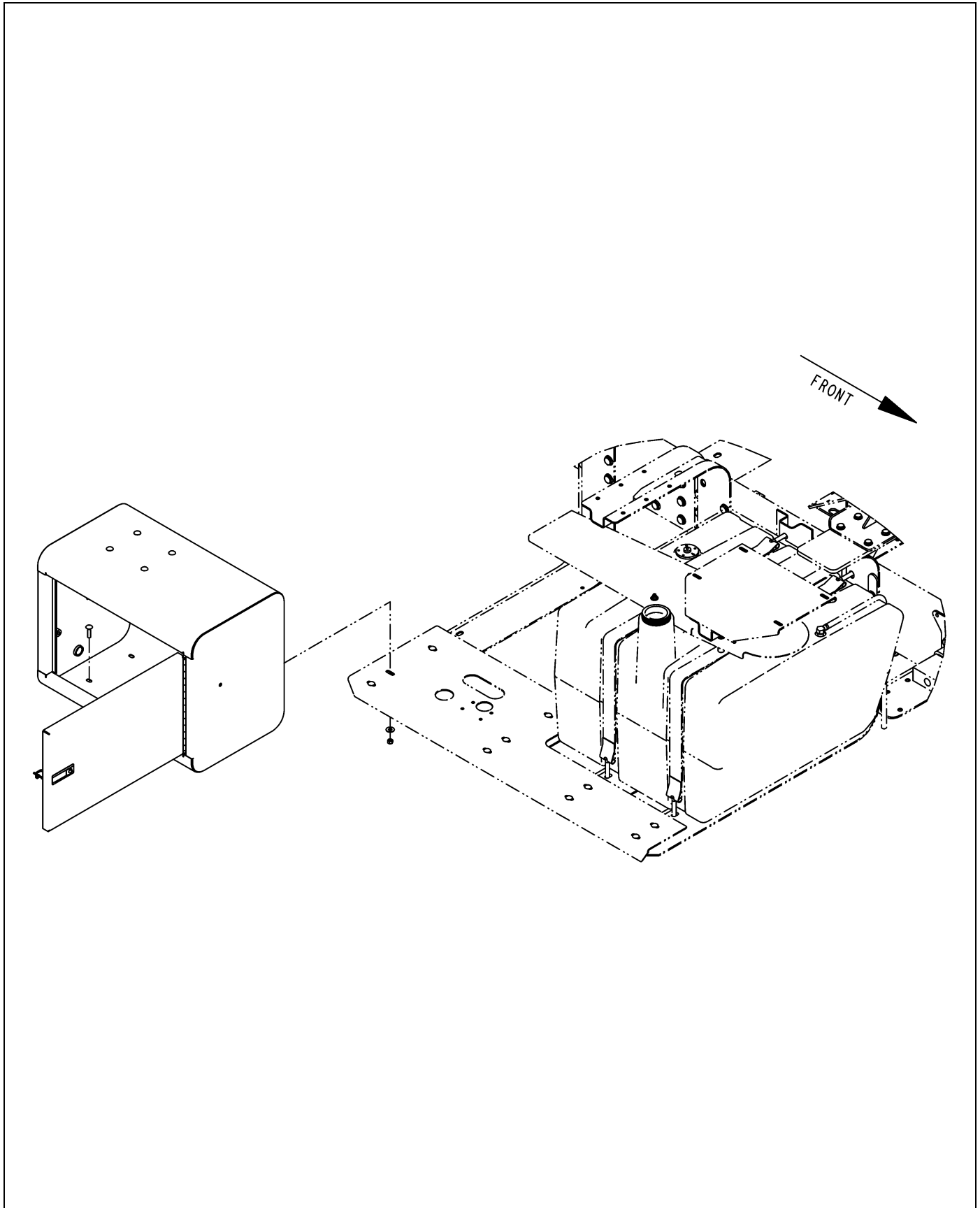
RESERVOIR ASM-AIR,HI-VOL,10L



514787D1-01-R006-.TIF

RESERVOIR ASM-AIR,HI-VOL,10L

ITEM	PART #	QTY	DESCRIPTION	COMMENTS
1	AG129187	AR	PIPE SEALANT-FLEX BLACK	
2	AG134007	1	RESERVOIR-AIR,HOMOLOCAION,10L	
3	AG520922	1	ADAPT STR-.75-16MJIC 22-1.5	
4	AG520923	1	ELBOW-90D,.75-16MJIC 22-1.5	
5	AG561341	1	ELBOW 45D 0.50FJIC SWX0.50MJIC	
6	AG609681	1	DRAIN VALVE	
7	AG609682	1	THRUST RING M-22	
8	AG609683	1	O RING M-22	
9	AG609797	1	PLUG METRIC 22-1.5 ZN	
10	AG609798	1	WASHER METRIC 22 ZN	

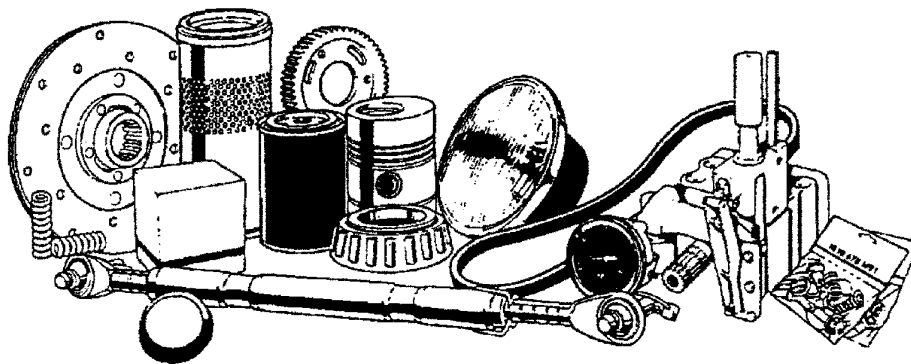


503478D1-01-M431-.TIF

CABINET OPTION-P/W

ITEM	PART #	QTY	DESCRIPTION	COMMENTS
1	AG121586	1	CABINET ASM	SEE PAGE 11-16

**Please refer to the
Bill Of Material
on the opposite page
for related Installations,
Assemblies, or Parts**

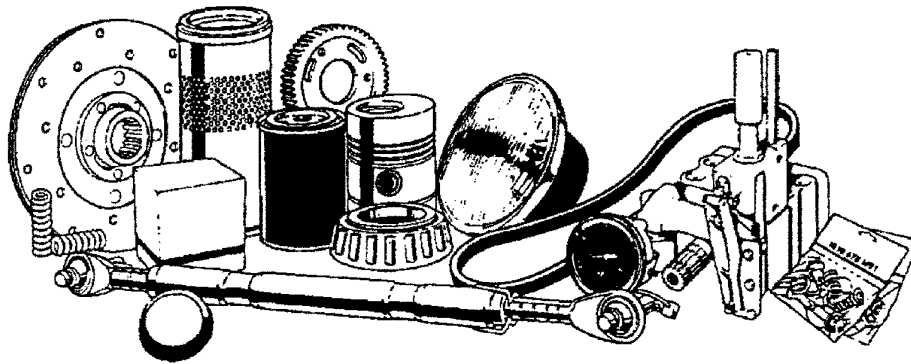


512556D1.tif

OPTION-50HR FILTER KIT

ITEM	PART #	QTY	DESCRIPTION	COMMENTS
1	AG121852	1	FILTER-FUEL,SECONDARY,CAT3126B	
2	AG133231	2	ELEMENT-FILTER,OIL,SAUER PUMP	
3	AG524540	1	STRAINER-INLINE,0.50,100 MESH	
4	AG715586	2	ELEMENT FILTER	
5	512558D1	1	FILTER ELEMENT,1000 PSI	
6	CH1R-0771	1	FILTER AS.- (FWS)	

**Please refer to the
Bill Of Material
on the opposite page
for related Installations,
Assemblies, or Parts**



512557D1.tif

OPTION-500HR FILTER KIT

ITEM	PART #	QTY	DESCRIPTION	COMMENTS
1	AG121778	1	FILTER BREATHER, HYD. TANK	
2	AG121852	2	FILTER-FUEL, SECONDARY, CAT3126B	
3	AG122230	1	FILTER, PRIMARY, AIR 15 IN	
4	AG122231	1	FILTER, SAFETY, AIR, 15 IN	
5	AG133231	4	ELEMENT-FILTER, OIL, SAUER PUMP	
6	AG524540	1	STRAINER-INLINE, 0.50, 100 MESH	
7	AG715586	4	ELEMENT FILTER	
8	504594D1	2	FILTER-ENGINE OIL	
9	512558D1	2	FILTER ELEMENT, 1000 PSI	
10	CH1R-0771	2	FILTER AS.- (FWS)	

NUMERIC INDEX

1077605M1	1-37	166-4608	7-8	400041X1	1-10
1077605M1	1-33	166-4608	7-12	400050X1	1-25
1077605M1	1-39	166-4608	7-14	400059X1	1-9
1077605M1	1-43	180-2825	7-53	400059X1	1-11
1077611M1	1-39	180-2825	9-4	400107X1	5-77
1077611M1	1-33	180-2825	7-52	400110X1	7-3
1077627M1	1-43	180-2825	7-38	400110X1	7-14
1077627M1	1-37	180-2825	7-54	400110X1	7-18
1077628M1	1-43	180-2825	7-50	400110X1	7-12
1077628M1	1-37	180-2825	7-40	400110X1	7-1
1077633M1	1-37	184-1704	7-50	400110X1	7-16
1077633M1	1-43	184-1704	7-54	400110X1	7-6
1077635M1	1-42	184-1704	9-4	400110X1	7-8
1077635M1	1-36	184-1704	7-52	400123X1	5-55
1077636M1	1-43	184-1704	7-40	400123X1	5-54
1077636M1	1-37	184-1704	7-53	400123X1	5-24
1077637M1	1-37	184-1704	7-38	400123X1	5-28
1077637M1	1-43	197-4519	7-92	400123X1	5-25
1077638M1	1-37	197-4519	7-88	400123X1	5-34
1077638M1	1-43	197-4520	7-88	400167X1	7-87
1077656M1	1-41	197-4520	7-92	400167X1	7-91
1077656M1	1-35	197-4521	7-88	400188X1	1-27
1077658M1	1-35	197-4521	7-92	400189X1	1-24
1077658M1	1-41	197-4525	7-88	400287X1	1-11
1077664M1	1-37	197-4525	7-92	400287X1	1-9
1077664M1	1-43	197-4526	7-88	400310X1	7-18
1077666M1	1-39	197-4526	7-92	400310X1	7-16
1077666M1	1-33	197-4527	7-92	400310X1	7-14
1077673M1	1-46	197-4527	7-88	400310X1	7-12
1077673M1	1-34	197-4529	7-92	400310X1	7-1
1077673M1	1-40	197-4529	7-88	400310X1	7-8
1077682M1	1-39	197-4530	7-99	400310X1	7-3
1077682M1	1-33	197-4531	7-99	400310X1	7-6
1077684M1	1-38	197-4532	7-99	400318X1	5-60
1077684M1	1-44	197-4533	7-99	400318X1	5-62
1081721M1	1-41	197-4534	7-99	400318X1	5-32
1081725M1	1-35	197-4537	7-99	400318X1	5-51
1081727M1	1-41	197-4538	7-99	400318X1	5-82
162-6738	7-16	197-4539	7-99	400318X1	5-66
162-6738	7-3	197-4540	7-99	400318X1	5-19
162-6738	7-1	197-4541	7-99	400318X1	5-63
162-6738	7-6	197-4544	7-92	400319X1	5-57
162-6738	7-8	197-4544	7-88	400319X1	5-59
162-6738	7-14	197-4545	7-99	400319X1	5-64
162-6738	7-12	197-4546	7-88	400319X1	5-36
162-6738	7-18	197-4546	7-92	400323X1	5-7
164-7042	7-6	197-4547	7-99	400323X1	5-18
164-7042	7-14	221-5433	7-14	400323X1	1-31
164-7042	7-12	221-5433	7-18	400323X1	1-29
164-7042	7-16	221-5433	7-16	400323X1	5-73
164-7042	7-3	221-5433	7-1	400324X1	5-18
164-7042	7-8	221-5433	7-8	400325X1	5-19
164-7042	7-18	221-5433	7-12	400339X1	1-25
164-7042	7-1	221-5433	7-6	400339X1	1-27
166-4608	7-3	221-5433	7-3	400341X1	1-25
166-4608	7-1	400039X1	1-5	400341X1	1-27
166-4608	7-18	400039X1	1-2	400347X1	15-1
166-4608	7-16	400040X1	1-24	400348X1	5-73
166-4608	7-6	400041X1	1-8	400348X1	15-1

NUMERIC INDEX

400356X1	7-3	400645X1	5-7	401258X1	5-59
400356X1	7-6	400645X1	5-77	401259X1	1-29
400356X1	7-8	400650X1	1-30	401263X1	1-29
400356X1	7-12	400835X1	7-3	401264X1	5-61
400356X1	7-18	400835X1	7-6	401265X1	1-31
400356X1	7-16	400835X1	7-12	401267X1	1-31
400356X1	7-14	400835X1	7-1	401268X1	5-65
400356X1	7-1	400835X1	7-16	401269X1	5-65
400361X1	5-8	400835X1	7-14	401270X1	5-65
400361X1	5-23	400835X1	7-8	401271X1	5-65
400361X1	5-52	400835X1	7-18	401272X1	5-65
400361X1	5-61	400836X1	7-14	401273X1	5-65
400364X1	1-31	400836X1	7-8	401274X1	5-65
400364X1	5-7	400836X1	7-6	401275X1	5-65
400365X1	5-56	400836X1	7-18	401278X1	7-8
400365X1	5-53	400836X1	7-12	401278X1	7-6
400365X1	5-26	400836X1	7-16	401278X1	7-3
400365X1	5-33	400836X1	7-1	401278X1	7-14
400366X1	5-67	400836X1	7-3	401278X1	7-12
400366X1	5-75	400944X1	1-26	401278X1	7-1
400367X1	1-29	400947X1	1-31	401278X1	7-18
400368X1	5-6	400961X1	5-73	401278X1	7-16
400370X1	5-7	400980X1	5-21	401279X1	5-44
400371X1	5-23	400981X1	5-18	401280X1	5-42
400372X1	5-82	401000X1	5-27	401281X1	5-45
400373X1	5-8	401002X1	1-24	401282X1	5-42
400376X1	5-58	401002X1	5-30	401283X1	5-46
400376X1	5-24	401004X1	5-33	401284X1	5-42
400377X1	5-8	401005X1	5-30	401293X1	15-1
400377X1	5-44	401006X1	5-34	401293X1	1-29
400377X1	5-51	401007X1	5-30	401296X1	5-83
400377X1	5-52	401008X1	5-72	401337X1	5-63
400378X1	5-41	401009X1	5-69	401338X1	1-29
400378X1	5-36	401010X1	5-53	401340X1	5-62
400378X1	5-61	401011X1	1-31	401421X1	4-4
400378X1	5-64	401012X1	5-54	401421X1	4-3
400378X1	5-62	401013X1	1-30	401440X1	1-30
400378X1	5-68	401014X1	5-55	401447X1	3-3
400378X1	5-82	401015X1	1-30	500533D1	1-30
400378X1	5-95	401018X1	5-25	500534D1	5-64
400414X1	15-3	401019X1	5-7	500854D1	7-17
400415X1	5-35	401020X1	5-56	500854D1	7-7
400416X1	5-35	401021X1	1-29	500854D1	7-11
400416X1	5-67	401024X1	1-29	500854D1	7-13
400416X1	5-54	401027X1	5-43	500854D1	7-2
400416X1	5-55	401028X1	5-42	500854D1	7-15
400416X1	5-28	401040X1	5-27	500854D1	7-4
400428X1	5-30	401070X1	5-95	500854D1	7-9
400429X1	5-32	401071X1	1-30	501899D1	7-92
400580X1	5-7	401209X1	1-31	501899D1	7-88
400581X1	5-24	401209X1	1-30	501900D1	7-88
400593X1	5-26	401211X1	5-73	501900D1	7-92
400607X1	5-73	401212X1	5-74	501902D1	7-92
400629X1	5-51	401213X1	5-73	501902D1	7-88
400630X1	1-29	401214X1	5-75	501902D1	7-99
400638X1	5-16	401254X1	5-57	501903D1	7-99
400638X1	5-12	401255X1	1-30	501907D2	7-99
400638X1	5-37	401256X1	5-58	501911D1	7-92
400638X1	5-14	401257X1	1-30	501917D1	7-93

NUMERIC INDEX

502269D1	7-70	504008D1	9-3	504960D1	7-1
502927D1	7-92	504008D1	15-15	504960D1	7-8
502927D1	7-88	504009D1	15-15	504960D1	7-3
502928D1	7-92	504009D1	9-2	504960D1	7-6
502928D1	7-88	504010D1	15-15	504960D1	7-18
502929D1	7-92	504010D1	9-2	504960D1	7-16
502977D1	14-1	504010D1	7-48	504960D1	7-14
502981D1	14-1	504361D1	7-48	504961D1	9-1
503032D1	14-21	504361D1	7-27	505190D1	14-15
503032D1	14-19	504361D1	15-12	505218D1	14-10
503062D1	14-1	504367D1	13-3	505218D1	14-4
503094D1	14-19	504368D1	13-3	505218D1	14-24
503094D1	14-20	504376D1	5-47	505249D1	1-8
503094D1	14-22	504443D1	11-12	505251D1	1-23
503454D1	10-12	504594D1	15-28	505253D1	1-25
503458D1	4-4	504594D1	1-12	505254D1	1-25
503524D1	5-80	504594D1	1-14	505254D1	1-26
503524D1	5-81	504615D1	14-15	505270D1	9-47
503537D1	10-8	504742D1	12-5	505270D1	9-50
503537D1	10-6	504742D1	12-6	505366D1	11-11
503537D1	10-7	504749D1	10-29	505369D1	11-11
503568D1	14-1	504750D1	10-29	505374D1	9-39
503580D1	13-4	504765D1	5-48	505374D1	9-40
503607D1	7-47	504807D1	6-17	505489D1	7-82
503609D1	7-48	504808D1	6-6	505540D1	10-24
503610D1	7-48	504808D1	6-3	505540D1	10-23
503645D1	7-39	504953D1	7-1	505571D1	1-3
503645D1	7-51	504953D1	7-14	505573D1	1-26
503685D1	10-29	504953D1	7-8	505574D1	1-26
503694D1	14-15	504953D1	7-3	505576D1	1-24
503694D1	7-52	504953D1	7-12	505577D1	1-10
503694D1	7-53	504953D1	7-18	505577D1	1-8
503695D1	7-53	504953D1	7-6	505651D1	1-12
503695D1	7-52	504953D1	7-16	505651D1	1-14
503884D1	9-24	504954D1	7-8	505698D1	11-11
503884D1	9-33	504954D1	7-16	505699D1	11-11
503973D1	14-16	504954D1	7-12	505810D1	7-34
503974D1	14-16	504954D1	7-6	505810D1	7-36
503993D1	14-19	504954D1	7-18	505811D1	7-39
503994D1	9-33	504954D1	7-3	505811D1	7-51
503994D1	9-32	504954D1	7-1	505812D1	7-50
503994D1	9-31	504954D1	7-14	505828D1	7-33
503994D1	9-22	504955D1	7-8	505828D1	7-80
503994D1	9-23	504955D1	7-1	505828D1	7-55
503994D1	9-24	504955D1	7-3	505829D1	7-51
503996D1	9-32	504955D1	7-12	505829D1	7-39
503996D1	9-23	504955D1	7-18	505830D1	7-39
503997D1	7-26	504955D1	7-6	505830D1	7-51
503999D1	9-11	504955D1	7-14	505831D1	7-50
503999D1	9-9	504955D1	7-16	505835D2	7-36
504000D1	9-11	504959D1	7-18	505835D2	7-34
504000D1	9-9	504959D1	7-14	505837D1	7-36
504001D1	9-12	504959D1	7-3	505837D1	7-34
504001D1	9-11	504959D1	7-8	506138D1	14-5
504002D1	7-32	504959D1	7-1	506166D1	4-1
504007D1	15-15	504959D1	7-6	506181D1	7-53
504007D1	9-2	504959D1	7-12	506181D1	7-50
504008D1	9-2	504959D1	7-16	506181D1	7-52
504008D1	15-16	504960D1	7-12	506247D1	7-38

NUMERIC INDEX

506247D1	7-52	508911D1	5-3	511764D1	7-1
506357D1	1-26	508911D1	5-4	511764D1	7-18
506463D1	11-6	508978D1	1-30	511764D1	7-6
506465D1	11-3	508979D1	1-32	511778D1	3-1
506465D1	11-4	508980D1	1-32	511780D1	5-47
506465D1	11-11	508989D1	7-55	512162D1	5-87
506466D1	11-3	508989D1	7-80	512163D1	5-87
506466D1	11-4	508989D1	7-33	512164D1	5-87
506466D1	11-11	509014D1	9-4	512166D1	5-87
506466D1	11-5	509280D1	9-47	512167D1	5-87
506686D1	11-14	509342D1	1-30	512168D1	5-87
506686D1	11-15	509506D1	9-41	512169D1	5-87
506983D1	7-74	509506D1	9-17	512170D1	5-88
507158D1	7-71	509507D1	9-25	512171D1	5-88
507159D1	7-71	509507D1	9-34	512172D1	5-87
507160D1	7-71	509539D1	9-13	512173D1	5-89
507626D1	7-87	509540D1	9-9	512174D1	5-90
507627D1	7-91	509630D1	7-60	512175D1	5-87
507775D1	14-4	509631D1	7-61	512176D1	5-87
507775D1	14-24	509632D1	7-59	512178D1	5-87
507775D1	14-10	509632D1	7-58	512179D1	5-87
507775D1	14-15	509637D1	7-57	512180D1	5-90
507784D1	1-1	509644D1	10-20	512181D1	5-90
507784D1	1-5	509644D1	10-28	512182D1	5-87
507806D1	15-18	509745D1	9-9	512183D1	5-87
507808D1	15-18	509746D1	9-12	512184D1	5-87
507810D1	15-17	509746D1	9-9	512185D1	5-87
507811D1	15-17	509852D1	1-30	512186D1	5-89
507825D1	2-6	509912D1	5-11	512188D1	5-87
507867D1	5-69	509914D1	5-11	512189D1	5-89
507957D1	5-100	509915D1	15-20	512190D1	5-89
507958D1	5-102	509916D1	5-69	512191D1	5-87
507959D1	5-101	509917D1	5-2	512192D1	5-89
507960D1	5-101	509918D1	5-2	512193D1	5-90
507961D1	5-102	509920D1	5-2	512194D1	5-88
507962D1	5-101	509924D1	5-11	512195D1	5-88
507963D1	5-102	511486D1	11-17	512196D1	5-87
507964D1	5-101	511487D1	2-14	512197D1	5-88
507965D1	5-99	511521D1	1-31	512198D1	5-88
507966D1	5-99	511616D1	15-22	512199D1	5-90
507998D1	5-99	511623D1	9-48	512200D1	5-90
508185D1	2-2	511623D1	9-47	512201D1	5-87
508230D1	7-88	511623D1	9-46	512202D1	5-88
508230D1	7-92	511676D1	1-8	512203D1	5-88
508233D1	7-92	511676D1	1-10	512204D1	5-87
508234D1	7-88	511678D1	2-4	512206D1	15-23
508234D1	7-92	511759D1	7-16	512207D1	15-23
508236D1	7-88	511759D1	7-14	512208D1	15-23
508237D1	7-92	511759D1	7-3	512209D1	15-23
508258D1	7-88	511759D1	7-18	512220D1	14-11
508624D1	7-2	511759D1	7-12	512221D1	14-4
508624D1	7-15	511759D1	7-1	512221D1	14-10
508624D1	7-4	511759D1	7-6	512286D1	12-14
508624D1	7-9	511759D1	7-8	512286D1	12-6
508624D1	7-13	511764D1	7-8	512286D1	12-15
508624D1	7-11	511764D1	7-12	512286D1	12-5
508624D1	7-7	511764D1	7-16	512379D1	9-29
508624D1	7-17	511764D1	7-3	512379D1	9-33
508770D1	1-31	511764D1	7-14	512379D1	9-28

NUMERIC INDEX

512379D1	9-24	513137D1	8-1	514906D1	7-61
512379D1	9-18	513149D1	8-1	514906D1	7-58
512379D1	9-19	513250D1	5-93	515100D1	7-47
512379D1	9-32	513250D1	5-94	515178D1	1-30
512379D1	9-20	513250D1	5-92	515179D1	1-30
512379D1	9-23	513251D1	5-92	515186D1	14-4
512381D1	13-1	513251D1	5-94	515249D1	7-53
512382D1	13-1	513251D1	5-93	515249D1	7-54
512383D1	10-18	513252D1	5-92	515253D1	7-33
512383D1	10-15	513252D1	5-94	515254D1	7-33
512394D1	5-102	513252D1	5-93	515257D1	7-48
512395D1	10-17	513253D1	5-94	515257D1	7-49
512395D1	10-16	513253D1	5-93	515257D1	7-47
512395D1	9-42	513253D1	5-92	515357D1	7-14
512396D1	10-15	513254D1	5-92	515357D1	7-18
512396D1	10-18	513254D1	5-93	515357D1	7-16
512397D1	10-15	513254D1	5-94	515357D1	7-12
512397D1	10-18	513255D1	5-92	515403D1	6-5
512410D1	15-1	513255D1	5-94	515403D1	6-6
512411D1	15-1	513255D1	5-93	515409D1	6-5
512425D1	15-2	513327D1	11-6	515409D1	6-6
512426D1	15-2	513328D1	11-5	515464D1	10-27
512427D1	15-2	513329D1	11-5	515464D1	10-28
512428D1	15-2	513567D1	1-29	515468D1	10-4
512429D1	15-2	513569D1	1-27	515469D1	10-3
512430D1	15-2	513835D1	7-88	515470D1	10-19
512432D1	2-14	513835D1	7-92	515470D1	10-27
512474D1	11-1	513876D1	10-16	515473D1	7-11
512475D1	11-2	513877D1	10-17	515474D1	7-13
512488D1	2-2	513965D1	7-33	515475D1	7-15
512489D1	2-4	513965D1	7-55	515476D1	7-17
512491D1	2-4	513965D1	7-80	515481D1	5-83
512499D1	2-6	514252D1	2-4	515482D1	5-83
512515D1	10-15	514285D1	7-19	515485D1	5-83
512529D1	12-9	514286D1	7-25	515524D1	2-5
512529D1	12-8	514536D1	5-83	515568D1	9-31
512530D1	12-12	514537D1	5-83	515568D1	9-30
512530D1	12-11	514592D1	14-36	515568D1	9-34
512531D1	2-6	514593D1	14-36	515568D1	9-33
512534D1	12-10	514594D1	14-36	515568D1	9-32
512535D1	12-10	514596D1	14-36	515568D1	9-35
512536D1	12-7	514657D1	1-27	515568D1	9-29
512537D1	12-7	514787D1	15-24	515568D1	9-28
512541D1	12-4	514823D1	14-36	515569D1	9-21
512542D1	12-4	514825D1	14-32	515569D1	9-25
512558D1	15-27	514825D1	14-30	515569D1	9-22
512558D1	15-28	514826D1	14-31	515569D1	9-23
512558D1	5-29	514826D1	14-32	515569D1	9-26
512561D1	5-27	514827D1	14-32	515569D1	9-19
512616D1	12-14	514828D1	14-34	515569D1	9-24
512616D1	12-15	514829D1	14-35	515594D1	15-24
512638D1	12-13	514830D1	14-35	515851D1	1-6
512639D1	12-13	514831D1	14-34	515894D1	10-5
512665D1	14-19	514866D1	9-50	515894D1	10-21
512665D1	15-15	514866D1	9-51	515928D1	7-16
512665D1	7-32	514866D1	9-49	515928D1	7-18
512665D1	9-2	514867D1	9-50	515928D1	7-3
513135D1	8-1	514906D1	7-59	515928D1	7-1
513136D1	8-1	514906D1	7-60	515929D1	7-14

NUMERIC INDEX

515929D1	7-12	518651D1	7-3	71374844	1-36
515929D1	7-8	518651D1	7-18	71374844	1-42
515929D1	7-6	518651D1	7-1	71374845	1-36
516006D1	9-48	518651D1	7-6	71374845	1-42
516006D1	9-41	518651D1	7-16	71374846	1-42
516006D1	9-17	518651D1	7-12	71374846	1-36
516006D1	9-25	518651D1	7-8	71374847	1-36
516006D1	9-34	518651D1	7-14	71374847	1-42
516006D1	9-51	518671D1	1-17	71374866	1-40
516007D1	5-7	518690D1	1-10	71374866	1-34
516008D1	5-2	518720D1	7-2	71374867	1-39
516018D1	5-4	518721D1	7-7	71374867	1-33
516019D1	5-4	518722D1	7-4	71374870	1-38
516388D1	4-4	518723D1	7-9	71374870	1-44
516389D1	4-4	518797D1	1-5	71374872	1-36
516429D1	7-35	518844D1	7-50	71374872	1-42
516435D1	7-34	518844D1	7-38	71374873	1-46
516467D1	1-24	518844D1	7-53	71374873	1-39
516506D1	7-84	518844D1	7-52	71374873	1-33
516507D1	7-83	518844D1	7-54	71374875	1-36
516507D1	7-80	518880D1	1-5	71374875	1-42
516507D1	7-33	518881D1	1-6	71374876	1-42
516508D1	5-89	519554D1	1-6	71374876	1-36
516508D1	5-88	519618D1	1-6	71374877	1-42
516509D1	5-90	520070D1	9-14	71374877	1-36
516510D1	5-89	6513640	11-16	71374879	1-36
516591D1	8-1	6515575	6-8	71374879	1-42
516619D1	1-25	6579858	9-39	71374880	1-42
516702D1	7-57	6584225	1-24	71374880	1-36
516792D1	1-12	6586162	11-12	71374881	1-36
516792D1	1-14	6646598	11-12	71374881	1-42
516803D1	10-4	700722966	1-43	71374882	1-33
516803D1	10-3	700723421	1-45	71374882	1-39
516803D1	10-5	700725864	1-35	71374883	1-42
516808D1	10-20	700725864	1-41	71374883	1-36
516808D1	10-19	700725864	1-46	71374884	1-42
516808D1	10-21	700725864	1-33	71374884	1-36
516815D1	11-4	700725864	1-39	71374886	1-36
516815D1	11-15	70928486	1-39	71374886	1-42
516815D1	11-5	70928486	1-33	71374890	1-37
516816D1	10-18	70937632	1-39	71374890	1-43
517122D1	1-9	70937632	1-33	71374891	1-37
517122D1	1-11	71355339	1-39	71374891	1-43
517162D1	4-4	71355339	1-33	71374893	1-44
517162D1	4-3	71355340	1-36	71374893	1-38
517311D1	1-2	71355340	1-42	71374894	1-35
517311D1	1-5	71355391	1-46	71374894	1-38
517408D1	1-29	71358545	1-37	71374894	1-41
517409D1	1-30	71358545	1-43	71374894	1-44
517803D1	14-38	71374834	1-44	71374895	1-44
517804D1	14-38	71374834	1-38	71374895	1-38
517805D1	14-38	71374839	1-39	71374896	1-38
517816D1	14-39	71374839	1-33	71374896	1-44
517817D1	14-39	71374840	1-39	71374897	1-38
517882D1	14-38	71374840	1-33	71374897	1-44
517898D1	14-36	71374842	1-42	71374898	1-44
517980D1	1-17	71374842	1-36	71374898	1-38
518014D1	14-36	71374843	1-36	71374900	1-38
518447D1	14-10	71374843	1-42	71374900	1-44

NUMERIC INDEX

71374901	1-43	AG029293	9-37	AG120558	4-4
71374901	1-37	AG029293	10-12	AG120615	14-35
71374904	1-36	AG029293	10-11	AG120615	14-12
71374904	1-42	AG029293	9-38	AG120615	14-31
71374908	1-40	AG029293	9-16	AG120755	11-16
71374908	1-34	AG029293	9-13	AG120819	2-6
71374909	1-34	AG029293	10-14	AG120948	15-1
71374909	1-40	AG029293	7-47	AG120949	9-2
71374918	1-39	AG029339	15-18	AG120949	15-15
71374918	1-33	AG029339	5-11	AG120959	1-30
71374952	1-37	AG029339	15-20	AG120976	1-10
71374952	1-43	AG051126	15-1	AG120976	1-8
71374958	1-42	AG051134	11-16	AG121136	11-16
71374958	1-36	AG051137	15-3	AG121364	2-4
71374960	1-43	AG051142	15-1	AG121380	5-38
71374960	1-37	AG051177	15-3	AG121380	5-15
71396130	1-37	AG051179	15-1	AG121390	5-5
71396130	1-43	AG051903	15-1	AG121390	5-3
71396133	1-37	AG054173	14-18	AG121483	5-20
71396133	1-43	AG056441	5-69	AG121485	5-20
71396139	1-35	AG058428	14-32	AG121578	5-13
71396139	1-40	AG058428	14-30	AG121582	5-30
71396139	1-34	AG058428	14-36	AG121586	15-26
71396139	1-41	AG058531	5-97	AG121591	5-30
71396140	1-36	AG058531	5-96	AG121748	9-37
71396140	1-42	AG058532	5-96	AG121748	7-48
71396141	1-42	AG058532	5-97	AG121749	7-47
71396141	1-36	AG061244	15-5	AG121750	9-16
71409661	1-35	AG061265	7-63	AG121750	10-12
71409661	1-41	AG107437	7-42	AG121750	10-11
71410770	1-35	AG108980	9-17	AG121750	7-47
71414690	1-45	AG109305	1-29	AG121750	10-14
71774840	1-33	AG109445	11-12	AG121751	9-28
71774840	1-39	AG109742	4-3	AG121751	9-19
72571055	14-7	AG109742	4-4	AG121768	5-31
72571115	14-7	AG109754	4-4	AG121778	15-28
72571170	14-33	AG109754	4-3	AG121778	5-30
AG000748	14-38	AG109812	2-2	AG121806	5-30
AG007785	15-3	AG109897	6-9	AG121851	1-13
AG010351	9-43	AG109897	6-8	AG121852	1-14
AG010359	14-11	AG109902	2-2	AG121852	1-12
AG027274	11-3	AG109903	2-2	AG121852	15-28
AG027274	10-15	AG109906	11-6	AG121852	15-27
AG027274	2-14	AG109937	2-4	AG121905	12-4
AG027274	12-3	AG109948	2-2	AG121905	12-10
AG027274	10-18	AG109953	11-15	AG121905	12-13
AG027274	11-5	AG109953	11-4	AG121905	13-1
AG027274	11-14	AG109953	11-3	AG121905	12-7
AG027274	12-2	AG109953	11-14	AG121906	11-12
AG027274	14-29	AG109953	11-11	AG121910	11-12
AG027274	11-4	AG114533	4-3	AG121986	5-102
AG027274	11-15	AG114533	4-4	AG122019	9-19
AG027275	9-19	AG114698	5-76	AG122019	9-28
AG027275	9-28	AG114698	5-98	AG122058	1-10
AG027275	9-14	AG120252	2-9	AG122058	1-8
AG028995	10-11	AG120283	11-12	AG122059	14-1
AG028995	10-14	AG120354	7-85	AG122064	5-3
AG029233	7-34	AG120463	2-4	AG122065	5-4
AG029233	7-36	AG120558	4-3	AG122065	5-3

NUMERIC INDEX

AG122081	15-2	AG123434	9-10	AG125828	5-91
AG122155	1-30	AG123668	2-6	AG125830	12-17
AG122206	1-11	AG123673	2-6	AG125831	2-6
AG122206	1-9	AG123674	2-6	AG125831	2-5
AG122213	1-21	AG123761	9-44	AG125832	2-5
AG122214	1-21	AG123761	9-14	AG125833	5-86
AG122221	11-12	AG123817	11-13	AG125836	12-4
AG122222	1-8	AG123946	14-30	AG125836	13-1
AG122222	1-10	AG123946	14-32	AG125836	12-13
AG122229	4-3	AG123946	14-26	AG125836	12-10
AG122230	1-22	AG123965	1-29	AG125836	12-17
AG122230	15-28	AG123982	6-14	AG125836	12-7
AG122231	1-22	AG124432	7-14	AG125848	14-3
AG122231	15-28	AG124432	7-3	AG125849	14-3
AG122239	9-19	AG124432	7-8	AG125863	14-8
AG122239	9-28	AG124432	7-18	AG125889	14-14
AG122302	4-4	AG124432	7-6	AG125890	14-14
AG122302	4-3	AG124432	7-12	AG125897	14-1
AG122317	14-16	AG124432	7-1	AG125908	9-44
AG122318	14-16	AG124432	7-16	AG125909	9-44
AG122525	2-5	AG124437	7-12	AG126115	9-2
AG122526	2-5	AG124437	7-14	AG126115	15-15
AG122573	10-14	AG124437	7-1	AG126233	14-11
AG122639	1-29	AG124437	7-6	AG126248	1-46
AG122772	5-14	AG124437	7-8	AG126254	5-17
AG122778	15-22	AG124437	7-18	AG126255	5-17
AG122784	5-91	AG124437	7-3	AG126256	5-17
AG122785	5-91	AG124437	7-16	AG126257	5-17
AG122786	5-91	AG124451	7-47	AG126258	5-38
AG122836	15-22	AG124452	7-47	AG126259	5-38
AG122986	4-3	AG124723	5-30	AG126259	5-15
AG122986	4-4	AG124726	1-24	AG126260	5-38
AG123077	11-14	AG124732	5-30	AG126261	5-15
AG123077	11-3	AG124995	3-2	AG126262	5-38
AG123189	11-15	AG125069	9-45	AG126262	5-15
AG123189	11-14	AG125070	9-45	AG126263	5-15
AG123190	11-15	AG125078	1-5	AG126265	5-9
AG123190	11-14	AG125078	1-1	AG126266	5-9
AG123194	11-6	AG125138	5-99	AG126267	5-9
AG123196	11-6	AG125206	1-10	AG126268	5-13
AG123198	11-6	AG125206	1-8	AG126269	5-13
AG123213	11-4	AG125208	4-3	AG126270	5-13
AG123213	11-3	AG125208	4-4	AG126271	5-13
AG123213	11-11	AG125210	4-3	AG126302	1-11
AG123213	11-5	AG125210	4-4	AG126302	1-9
AG123363	10-1	AG125223	5-16	AG126389	9-11
AG123364	10-8	AG125224	5-17	AG126389	9-10
AG123375	15-16	AG125312	2-15	AG126389	9-9
AG123375	9-3	AG125312	1-30	AG126391	9-9
AG123422	9-9	AG125706	14-21	AG126394	1-1
AG123423	9-10	AG125706	15-11	AG126395	1-3
AG123423	9-9	AG125707	14-9	AG126396	1-4
AG123425	9-9	AG125708	14-21	AG126397	1-4
AG123425	9-11	AG125764	9-44	AG126409	11-12
AG123425	9-10	AG125765	9-44	AG126410	11-13
AG123428	9-10	AG125817	1-26	AG126411	11-12
AG123429	9-10	AG125818	13-4	AG126414	7-44
AG123430	9-10	AG125819	5-39	AG126418	2-14
AG123432	9-10	AG125827	5-91	AG126419	1-10

NUMERIC INDEX

AG126419	1-8	AG129805	7-1	AG130249	2-2
AG126420	12-11	AG129805	7-8	AG130251	1-25
AG126420	12-12	AG129805	7-14	AG130266	1-8
AG126441	14-16	AG129821	10-13	AG130266	1-10
AG126441	14-15	AG129822	10-11	AG130270	2-4
AG127032	15-9	AG129822	10-12	AG130288	5-102
AG127034	15-9	AG129822	10-6	AG130294	5-102
AG127035	15-9	AG129927	14-17	AG130297	5-99
AG127042	1-30	AG129928	5-13	AG130299	5-102
AG127137	14-4	AG129928	5-38	AG130317	5-102
AG127137	14-10	AG130002	2-4	AG130318	5-102
AG127719	11-12	AG130003	2-4	AG130319	5-102
AG128276	10-11	AG130004	2-5	AG130329	5-102
AG128276	10-14	AG130018	15-18	AG130332	5-102
AG128285	9-25	AG130020	11-1	AG130348	6-3
AG128285	9-34	AG130026	2-5	AG130348	6-6
AG128409	9-42	AG130027	2-5	AG130350	6-5
AG128409	9-32	AG130029	2-5	AG130350	6-2
AG128409	10-7	AG130030	2-5	AG130351	6-8
AG128409	9-23	AG130037	2-4	AG130354	15-18
AG129187	15-3	AG130037	9-14	AG130354	15-20
AG129187	6-17	AG130038	2-4	AG130356	15-18
AG129187	15-25	AG130053	2-5	AG130356	15-20
AG129187	15-1	AG130091	1-5	AG130374	1-6
AG129187	6-15	AG130091	1-1	AG130374	1-7
AG129242	9-38	AG130101	2-4	AG130374	1-3
AG129283	5-101	AG130102	2-15	AG130374	1-5
AG129525	14-8	AG130102	2-8	AG130375	1-1
AG129526	14-7	AG130103	2-15	AG130375	1-5
AG129529	14-7	AG130103	2-8	AG130376	1-5
AG129531	14-7	AG130111	4-4	AG130376	1-1
AG129532	14-7	AG130111	4-3	AG130381	1-24
AG129534	14-7	AG130112	2-15	AG130382	1-24
AG129535	14-7	AG130122	7-43	AG130384	1-24
AG129537	14-7	AG130130	2-5	AG130408	1-3
AG129539	14-7	AG130131	2-5	AG130409	6-13
AG129540	14-7	AG130151	11-13	AG130410	1-7
AG129542	14-7	AG130158	6-14	AG130411	1-2
AG129543	14-7	AG130173	15-21	AG130411	1-1
AG129546	14-3	AG130173	15-20	AG130416	1-14
AG129547	14-3	AG130173	15-19	AG130416	1-8
AG129548	14-3	AG130208	6-6	AG130416	1-20
AG129549	14-3	AG130208	6-3	AG130446	11-12
AG129550	14-3	AG130212	6-2	AG130449	11-1
AG129551	14-3	AG130217	15-24	AG130450	11-2
AG129552	14-3	AG130217	6-14	AG130461	5-69
AG129553	14-3	AG130233	1-1	AG130471	15-20
AG129554	14-3	AG130233	1-5	AG130472	15-20
AG129555	14-3	AG130236	1-21	AG130473	15-13
AG129556	14-3	AG130238	1-21	AG130474	15-13
AG129557	14-7	AG130239	1-21	AG130481	5-69
AG129560	14-33	AG130241	1-1	AG130482	5-69
AG129560	14-20	AG130241	1-5	AG131376	14-6
AG129570	14-23	AG130244	1-21	AG131376	14-5
AG129805	7-12	AG130245	1-5	AG131377	7-84
AG129805	7-16	AG130245	1-1	AG131378	14-6
AG129805	7-3	AG130246	1-14	AG131378	14-5
AG129805	7-18	AG130246	1-5	AG131379	14-6
AG129805	7-6	AG130246	1-12	AG131379	14-5

NUMERIC INDEX

AG131383	14-6	AG133231	1-32	AG134566	7-8
AG131383	14-5	AG133231	15-28	AG134566	7-12
AG131425	7-80	AG133231	15-27	AG134566	7-14
AG131425	7-58	AG133232	12-9	AG134566	7-1
AG131425	7-59	AG133232	12-8	AG134566	7-18
AG131425	7-55	AG133268	5-100	AG134566	7-3
AG131425	7-60	AG133269	5-100	AG134566	7-16
AG131425	7-61	AG133270	5-100	AG134569	7-3
AG131425	14-20	AG133271	5-100	AG134569	7-8
AG131482	7-35	AG133274	14-1	AG134569	7-14
AG131482	7-37	AG133274	2-4	AG134569	7-16
AG132143	7-69	AG133275	12-1	AG134569	7-12
AG132181	15-6	AG133275	12-16	AG134569	7-6
AG132182	15-6	AG133277	1-32	AG134569	7-18
AG132183	15-6	AG133278	1-39	AG134569	7-1
AG132184	15-6	AG133278	1-32	AG134570	7-47
AG132185	15-6	AG133278	1-33	AG134571	9-37
AG132186	15-6	AG133279	1-32	AG134571	9-38
AG132187	15-6	AG133559	5-49	AG134571	7-47
AG132188	15-6	AG133560	5-49	AG134572	7-47
AG132189	15-6	AG133561	5-49	AG134573	9-4
AG132190	15-6	AG133562	5-49	AG134573	7-53
AG132191	15-6	AG133563	5-49	AG134573	7-54
AG132192	15-6	AG133566	10-2	AG134573	7-38
AG132193	15-6	AG133612	14-29	AG134573	7-40
AG132194	15-6	AG133715	1-46	AG134573	7-50
AG132195	15-6	AG133716	1-45	AG134573	7-52
AG132196	15-6	AG133718	1-45	AG134593	5-81
AG132197	15-6	AG133719	1-45	AG134593	5-80
AG132198	15-6	AG133720	1-45	AG134594	5-81
AG132199	15-6	AG133891	14-14	AG134594	5-80
AG132200	15-6	AG133899	14-7	AG134595	5-80
AG132277	11-2	AG133992	14-1	AG134595	5-81
AG132278	11-2	AG133994	14-7	AG134596	5-81
AG132280	11-2	AG134007	15-25	AG134596	5-80
AG132281	11-2	AG134007	6-15	AG134676	5-4
AG132283	11-2	AG134109	14-18	AG134676	5-3
AG132292	1-32	AG134156	14-20	AG134678	1-30
AG132409	14-7	AG134180	14-1	AG134679	5-69
AG132436	14-7	AG134299	7-29	AG134680	5-69
AG132465	14-7	AG134300	7-29	AG134870	10-12
AG132498	14-33	AG134301	7-30	AG134870	10-11
AG132499	14-9	AG134301	7-31	AG134871	10-14
AG132593	2-5	AG134302	7-31	AG135396	7-40
AG132631	7-33	AG134302	7-30	AG135397	7-8
AG132631	7-80	AG134303	7-31	AG135397	7-6
AG132631	7-55	AG134303	7-30	AG135397	7-1
AG132641	7-55	AG134304	7-30	AG135397	7-3
AG132641	7-80	AG134304	7-31	AG135402	7-12
AG132671	7-37	AG134305	7-31	AG135402	7-14
AG132693	9-16	AG134305	7-30	AG135402	7-8
AG132694	9-23	AG134306	7-28	AG135402	7-6
AG132694	9-32	AG134337	6-17	AG135402	7-3
AG132925	1-13	AG134381	1-30	AG135402	7-16
AG132926	1-13	AG134384	1-30	AG135402	7-1
AG133222	5-73	AG134396	1-41	AG135402	7-18
AG133225	5-73	AG134396	1-32	AG135412	7-36
AG133231	1-35	AG134396	1-33	AG135421	14-19
AG133231	1-41	AG134566	7-6	AG135548	9-4

NUMERIC INDEX

AG135578	5-99	AG136307	7-53	AG137563	1-35
AG135579	5-99	AG136307	7-52	AG137564	1-41
AG135580	5-99	AG136332	14-4	AG137564	1-35
AG135581	5-99	AG136332	14-10	AG137565	1-39
AG135588	5-102	AG136342	7-55	AG137565	1-33
AG135988	7-6	AG136343	7-55	AG137566	1-42
AG135988	7-3	AG136346	7-55	AG137567	1-34
AG135988	7-18	AG136347	7-55	AG137567	1-40
AG135988	7-14	AG136351	14-15	AG137568	1-39
AG135988	7-8	AG136351	14-16	AG137568	1-33
AG135988	7-16	AG136393	5-4	AG137569	1-39
AG135988	7-12	AG136393	5-3	AG137569	1-33
AG135988	7-1	AG136400	5-30	AG137570	1-39
AG135990	7-8	AG136402	5-71	AG137570	1-33
AG135990	7-12	AG136403	5-71	AG137575	1-37
AG135990	7-14	AG136404	1-31	AG137718	7-89
AG135990	7-6	AG136629	5-69	AG137718	7-93
AG135990	7-16	AG136630	5-69	AG137722	7-97
AG135990	7-1	AG136736	14-6	AG137735	7-97
AG135990	7-3	AG136774	5-88	AG137792	7-93
AG135990	7-18	AG136775	5-88	AG137793	7-93
AG135991	7-12	AG136779	5-70	AG137794	7-93
AG135991	7-14	AG137145	14-13	AG137794	7-90
AG135991	7-16	AG137232	5-96	AG137795	7-93
AG135991	7-6	AG137232	5-97	AG137796	7-93
AG135991	7-8	AG137292	7-55	AG137797	7-93
AG135991	7-1	AG137544	1-42	AG137798	7-93
AG135991	7-18	AG137544	1-36	AG137799	7-93
AG135991	7-3	AG137545	1-36	AG137800	7-93
AG135995	7-8	AG137545	1-42	AG137800	7-90
AG135995	7-14	AG137546	1-43	AG137801	7-89
AG135995	7-12	AG137546	1-37	AG137801	7-93
AG135995	7-18	AG137547	1-43	AG137802	7-89
AG135995	7-1	AG137547	1-37	AG137802	7-93
AG135995	7-3	AG137548	1-37	AG137803	7-89
AG135995	7-16	AG137548	1-43	AG137803	7-93
AG135995	7-6	AG137549	1-41	AG137804	7-93
AG135997	7-56	AG137549	1-35	AG137805	7-93
AG135998	7-55	AG137550	1-41	AG137806	7-93
AG136000	7-54	AG137550	1-35	AG137807	7-93
AG136000	7-50	AG137551	1-41	AG137807	7-89
AG136000	7-38	AG137551	1-35	AG137808	7-93
AG136000	9-4	AG137552	1-35	AG137808	7-89
AG136001	7-53	AG137552	1-41	AG137809	7-93
AG136001	7-52	AG137553	1-41	AG137810	7-89
AG136004	7-27	AG137553	1-35	AG137810	7-93
AG136125	5-70	AG137555	1-41	AG137811	7-89
AG136213	7-38	AG137555	1-35	AG137811	7-93
AG136217	7-32	AG137558	1-41	AG137812	7-89
AG136222	14-15	AG137558	1-35	AG137812	7-93
AG136223	14-4	AG137559	1-34	AG137813	7-93
AG136223	14-10	AG137559	1-40	AG137813	7-90
AG136224	14-24	AG137560	1-34	AG137814	7-89
AG136294	7-53	AG137560	1-40	AG137814	7-93
AG136294	7-54	AG137561	1-34	AG137815	7-93
AG136294	7-52	AG137561	1-40	AG137816	7-93
AG136294	9-4	AG137562	1-40	AG137816	7-89
AG136294	7-38	AG137562	1-34	AG137817	7-89
AG136306	7-40	AG137563	1-41	AG137818	7-89

NUMERIC INDEX

AG137819	7-90	AG237961	15-13	AG260885	13-4
AG137820	7-90	AG237961	15-20	AG260905	11-13
AG137821	7-93	AG237961	15-18	AG260919	5-100
AG137821	7-89	AG237961	5-76	AG260921	5-100
AG137822	7-89	AG237961	5-98	AG260929	15-17
AG137823	7-90	AG237961	5-84	AG260929	15-13
AG137824	7-90	AG237961	5-86	AG260929	15-18
AG137825	7-89	AG237961	15-17	AG260929	15-20
AG137825	7-93	AG238257	5-13	AG260930	15-17
AG137826	7-93	AG238315	5-98	AG260930	15-20
AG138062	7-83	AG238315	5-76	AG260930	15-18
AG138063	7-83	AG238315	5-78	AG260930	15-13
AG138064	7-83	AG238366	13-1	AG260931	15-20
AG138413	5-13	AG238749	15-1	AG260931	15-17
AG139107	5-10	AG238760	15-1	AG260931	15-18
AG139315	7-66	AG238762	13-1	AG260931	15-13
AG140050	5-78	AG238783	13-1	AG260932	15-13
AG143465	7-63	AG238814	13-1	AG260932	15-18
AG200557	2-16	AG238819	13-4	AG260932	15-20
AG200573	2-16	AG239174	2-2	AG260932	15-17
AG209519	14-1	AG239383	15-18	AG260944	11-8
AG215938	5-76	AG239383	15-13	AG260944	11-10
AG215938	5-98	AG239383	15-20	AG261218	14-17
AG217181	15-7	AG239383	15-17	AG261515	5-100
AG220024	6-8	AG239389	15-20	AG261591	11-17
AG220601	5-100	AG239389	15-18	AG261592	11-17
AG223224	13-1	AG239389	15-17	AG261904	12-17
AG223413	9-14	AG239389	15-13	AG261908	5-102
AG223413	9-44	AG239390	15-18	AG262053	3-1
AG224865	6-2	AG239390	15-20	AG262234	11-13
AG231239	5-100	AG239390	15-13	AG262316	14-16
AG232490	9-14	AG239390	15-17	AG262363	2-6
AG232541	5-31	AG239391	15-20	AG262480	15-10
AG233052	15-18	AG239391	15-18	AG262518	11-6
AG233052	15-13	AG239391	15-13	AG262556	11-15
AG233052	15-20	AG239391	15-17	AG262556	11-5
AG233052	15-17	AG239392	15-20	AG262556	11-11
AG233215	5-99	AG239392	15-18	AG262556	11-14
AG233356	9-5	AG239392	15-13	AG262556	11-4
AG235004	13-1	AG239392	15-17	AG262556	11-3
AG235986	5-102	AG239436	13-4	AG262706	2-14
AG236575	7-44	AG239437	12-17	AG262707	2-14
AG236575	7-43	AG239658	5-102	AG262708	2-14
AG236672	5-42	AG239684	12-16	AG262709	2-14
AG236673	5-42	AG239926	9-14	AG262711	2-14
AG236694	13-4	AG260051	13-1	AG262883	11-2
AG236753	4-4	AG260060	5-100	AG262906	8-1
AG236753	4-3	AG260063	5-100	AG262948	12-10
AG236763	15-9	AG260107	5-100	AG262948	13-1
AG236845	13-4	AG260116	13-4	AG262948	12-4
AG236870	15-1	AG260174	2-14	AG262948	12-13
AG236879	15-7	AG260222	11-9	AG262948	12-7
AG237290	5-100	AG260223	11-7	AG263013	13-1
AG237293	5-100	AG260354	2-2	AG263020	5-31
AG237566	7-82	AG260449	7-56	AG263105	7-79
AG237727	13-2	AG260450	7-56	AG263132	5-98
AG237750	14-1	AG260455	2-2	AG263132	2-2
AG237820	2-14	AG260465	2-2	AG263132	5-76
AG237961	5-78	AG260466	2-2	AG263282	5-102

NUMERIC INDEX

AG309499	13-1	AG326925	14-4	AG330441	7-67
AG309500	13-1	AG326925	14-15	AG330442	7-67
AG320830	2-6	AG326925	14-10	AG330443	7-67
AG323492	15-7	AG327156	14-16	AG330444	7-67
AG324178	11-9	AG327247	10-15	AG330445	7-67
AG324178	11-16	AG327247	10-18	AG330446	7-67
AG324178	11-7	AG327247	11-15	AG330447	7-67
AG324206	13-1	AG327247	11-3	AG330448	7-67
AG325049	4-3	AG327247	11-5	AG330449	7-67
AG325050	4-3	AG327247	11-14	AG330450	7-68
AG325217	2-12	AG327247	11-4	AG330451	7-68
AG325217	2-10	AG327663	5-22	AG330452	7-68
AG325260	13-1	AG327663	5-18	AG330453	7-68
AG325309	14-30	AG327683	11-13	AG330454	7-68
AG325309	14-25	AG327684	11-13	AG330455	7-68
AG325340	15-18	AG327703	1-23	AG330456	7-68
AG325340	15-13	AG327751	2-5	AG330457	7-68
AG325340	15-17	AG327819	2-6	AG330458	7-68
AG325340	15-20	AG327892	2-5	AG330459	7-72
AG325341	15-18	AG327954	11-6	AG330460	7-72
AG325341	15-20	AG327962	15-10	AG330461	7-72
AG325341	15-13	AG328021	15-11	AG330462	7-72
AG325341	15-17	AG328021	15-22	AG330463	7-72
AG325342	15-13	AG328134	2-14	AG330464	7-72
AG325342	15-20	AG328135	2-14	AG330465	7-73
AG325342	15-18	AG328136	2-14	AG330466	7-73
AG325342	15-17	AG328660	7-79	AG330466	7-76
AG325344	15-13	AG328661	7-79	AG330467	7-73
AG325344	15-17	AG328690	5-77	AG330468	7-73
AG325344	15-18	AG330073	3-2	AG330469	7-73
AG325344	15-20	AG330074	3-2	AG330471	7-73
AG325345	15-20	AG330075	3-2	AG330472	7-73
AG325345	15-17	AG330077	3-2	AG330473	7-73
AG325345	15-18	AG330116	5-70	AG330474	7-73
AG325345	15-13	AG330209	7-71	AG330475	7-66
AG325588	2-2	AG330218	7-71	AG330475	7-75
AG325649	12-1	AG330219	7-71	AG330475	7-73
AG325650	12-1	AG330220	7-70	AG330476	7-73
AG325660	12-3	AG330221	7-70	AG330477	7-73
AG325661	12-2	AG330239	7-55	AG330478	7-73
AG325895	2-11	AG330240	7-55	AG330479	7-80
AG325896	2-2	AG330241	7-55	AG330482	7-75
AG326053	2-2	AG330243	7-55	AG330483	7-75
AG326064	6-7	AG330244	7-55	AG330484	7-75
AG326064	6-8	AG330245	7-55	AG330485	7-75
AG326116	2-2	AG330246	7-55	AG330486	7-75
AG326121	6-8	AG330248	7-55	AG330487	7-75
AG326552	15-20	AG330249	7-55	AG330488	7-75
AG326552	15-17	AG330250	7-55	AG330489	7-75
AG326552	15-13	AG330251	7-63	AG330490	7-75
AG326552	15-18	AG330252	7-64	AG330491	7-75
AG326570	11-10	AG330253	7-65	AG330492	7-76
AG326571	11-10	AG330254	7-66	AG330493	7-76
AG326571	11-8	AG330254	7-73	AG330494	7-76
AG326572	11-8	AG330255	7-73	AG330495	7-76
AG326572	11-10	AG330255	7-66	AG330496	7-76
AG326573	11-8	AG330258	7-66	AG330497	7-77
AG326801	13-4	AG330408	7-74	AG330498	7-77
AG326925	14-14	AG330440	7-67	AG330499	7-77

NUMERIC INDEX

AG330500	7-77	AG330825	7-98	AG331451	3-2
AG330501	7-77	AG330826	7-98	AG331452	3-2
AG330502	7-77	AG330827	7-98	AG331453	3-2
AG330503	7-77	AG330828	7-98	AG331454	3-2
AG330504	7-77	AG330829	7-98	AG331455	3-2
AG330505	7-77	AG330830	7-98	AG331456	3-2
AG330506	7-77	AG330831	7-98	AG331457	3-2
AG330507	7-77	AG330832	7-98	AG331458	3-2
AG330508	7-77	AG330833	7-98	AG331459	3-2
AG330509	7-77	AG330834	7-98	AG331460	3-2
AG330510	7-77	AG330835	7-98	AG331461	3-2
AG330512	7-55	AG330836	7-98	AG331520	3-2
AG330524	7-78	AG330837	7-98	AG331659	7-5
AG330525	7-78	AG330838	7-98	AG331663	7-10
AG330576	7-70	AG330839	7-98	AG331663	7-5
AG330578	7-97	AG330844	7-96	AG331664	7-5
AG330739	7-70	AG330845	7-96	AG331664	7-10
AG330739	7-69	AG330846	7-96	AG331665	7-10
AG330740	7-71	AG330847	7-95	AG331665	7-5
AG330741	7-69	AG330848	7-95	AG331666	7-5
AG330742	7-69	AG330849	7-95	AG331666	7-10
AG330743	7-71	AG330850	7-95	AG331667	7-5
AG330744	7-70	AG330851	7-95	AG331667	7-10
AG330747	7-71	AG330852	7-95	AG331668	7-10
AG330747	7-69	AG330853	7-95	AG331706	7-80
AG330748	7-70	AG330854	7-95	AG331734	5-96
AG330748	7-71	AG330855	7-95	AG331734	5-97
AG330749	7-70	AG330856	7-95	AG331735	5-97
AG330749	7-71	AG330857	7-95	AG331736	5-97
AG330750	7-70	AG330858	7-95	AG331736	5-96
AG330751	7-70	AG330859	7-95	AG331737	5-97
AG330752	7-70	AG330860	7-95	AG331737	5-96
AG330753	7-70	AG330861	7-95	AG331738	5-97
AG330754	7-70	AG331131	7-55	AG331738	5-96
AG330756	7-70	AG331132	7-62	AG331739	5-96
AG330757	7-70	AG331311	7-55	AG331740	5-97
AG330759	7-70	AG331312	7-55	AG331741	5-96
AG330764	7-70	AG331314	7-66	AG331742	5-97
AG330766	7-70	AG331315	7-66	AG331742	5-96
AG330767	7-70	AG331316	7-66	AG331743	5-96
AG330813	7-100	AG331317	7-66	AG331744	5-97
AG330813	7-97	AG331318	7-66	AG332141	1-45
AG330815	7-97	AG331319	7-66	AG332142	1-46
AG330815	7-100	AG331320	7-66	AG332143	1-46
AG330816	7-100	AG331321	7-66	AG332144	1-46
AG330816	7-97	AG331322	7-66	AG332148	1-45
AG330817	7-97	AG331323	7-66	AG332149	1-45
AG330817	7-100	AG331324	7-66	AG332150	1-45
AG330818	7-97	AG331325	7-66	AG332151	1-45
AG330818	7-100	AG331326	7-66	AG332152	1-45
AG330819	7-100	AG331327	7-66	AG332153	1-45
AG330819	7-97	AG331328	7-66	AG332154	1-45
AG330820	7-97	AG331329	7-66	AG332155	1-45
AG330820	7-100	AG331330	7-74	AG332156	1-45
AG330821	7-97	AG331443	3-2	AG332239	7-89
AG330821	7-100	AG331444	3-2	AG332240	7-89
AG330822	7-98	AG331445	3-2	AG332252	7-94
AG330823	7-98	AG331449	3-2	AG332288	14-37
AG330824	7-98	AG331450	3-2	AG332289	14-37

NUMERIC INDEX

AG332290	14-37	AG425230	7-55	AG512885	1-24
AG332291	14-37	AG501903	14-26	AG512885	1-29
AG332292	14-37	AG501958	15-9	AG512885	1-10
AG332293	14-37	AG502076	15-1	AG512885	15-18
AG332294	14-37	AG502782	11-9	AG512885	2-15
AG332295	14-37	AG502783	11-7	AG512885	15-20
AG332296	14-37	AG503688	11-10	AG512885	11-1
AG332303	1-35	AG503689	11-8	AG512885	15-22
AG332303	1-41	AG503813	2-13	AG512885	2-14
AG332304	1-35	AG504299	9-50	AG512885	5-2
AG332304	1-41	AG504299	9-47	AG512885	15-17
AG332305	1-41	AG504398	7-44	AG512885	2-8
AG332305	1-35	AG504499	6-19	AG512885	11-12
AG332306	1-39	AG504815	4-4	AG512885	15-13
AG332306	1-33	AG504815	4-3	AG512885	5-42
AG332307	1-37	AG504816	4-4	AG512885	1-8
AG332307	1-43	AG504816	4-3	AG513385	15-2
AG332308	1-43	AG510734	9-14	AG513423	1-9
AG332308	1-37	AG510939	4-1	AG513423	1-11
AG332309	1-42	AG510939	4-3	AG513640	15-1
AG332309	1-36	AG510939	1-26	AG513689	15-2
AG332321	1-37	AG510939	4-4	AG513916	15-1
AG332335	1-46	AG510947	4-1	AG513916	6-11
AG407964	2-5	AG511005	6-3	AG513916	6-10
AG420834	8-1	AG511005	6-6	AG513916	6-12
AG421061	15-7	AG511021	5-69	AG513916	15-8
AG421109	1-5	AG511021	6-6	AG513916	15-7
AG421109	1-1	AG511021	6-8	AG513916	4-3
AG421609	11-7	AG511021	15-24	AG513916	4-4
AG421609	11-9	AG511021	7-44	AG513916	15-3
AG422475	2-6	AG511021	1-5	AG513916	5-27
AG422477	2-6	AG511021	6-5	AG513916	5-69
AG422724	12-3	AG511021	6-14	AG513916	5-30
AG422725	12-2	AG511021	6-2	AG514288	6-8
AG423041	2-2	AG511021	6-3	AG514451	6-6
AG423071	2-2	AG511021	1-2	AG514451	6-3
AG423319	15-17	AG511099	15-21	AG514534	15-1
AG423319	15-13	AG511099	15-20	AG514554	2-15
AG423320	15-18	AG511099	15-17	AG514554	11-5
AG423320	15-20	AG511099	2-2	AG514554	11-4
AG423321	15-18	AG511099	15-19	AG514554	11-3
AG423321	15-20	AG511099	15-13	AG514554	11-11
AG423570	14-16	AG511099	15-18	AG514554	10-15
AG423671	14-11	AG511528	1-26	AG514554	1-30
AG423766	15-3	AG512249	6-8	AG514554	10-18
AG424157	5-12	AG512273	10-13	AG514554	2-6
AG424287	9-50	AG512273	6-8	AG514554	2-4
AG424287	9-47	AG512273	9-6	AG514554	2-2
AG424306	5-48	AG512273	10-1	AG514554	2-8
AG424432	11-6	AG512346	4-3	AG514554	11-15
AG424577	15-10	AG512346	1-24	AG514554	11-14
AG424595	15-11	AG512346	4-4	AG514554	11-12
AG424595	15-22	AG512346	11-12	AG514559	11-11
AG424623	5-37	AG512451	14-16	AG514559	15-18
AG424994	5-6	AG512885	5-69	AG514559	1-29
AG425041	7-33	AG512885	7-44	AG514559	15-20
AG425041	7-80	AG512885	1-25	AG514559	11-2
AG425041	7-55	AG512885	1-11	AG514559	11-13
AG425228	14-17	AG512885	1-9	AG514559	1-21

NUMERIC INDEX

AG514771	2-5	AG515180	7-43	AG516780	1-10
AG514814	2-2	AG515180	7-44	AG516780	1-8
AG515121	11-3	AG515180	2-15	AG516790	15-1
AG515121	11-16	AG515203	10-23	AG516864	7-47
AG515121	9-51	AG515203	10-24	AG516865	9-15
AG515121	11-9	AG515210	2-16	AG516874	5-27
AG515121	9-2	AG515277	5-98	AG516877	14-1
AG515121	11-7	AG515277	5-76	AG517097	5-78
AG515121	11-4	AG515277	5-78	AG517097	5-76
AG515121	11-5	AG515756	9-13	AG517097	5-98
AG515121	11-15	AG515764	14-34	AG517156	7-47
AG515121	15-15	AG515764	14-38	AG517157	14-38
AG515121	14-11	AG515764	14-26	AG517157	7-47
AG515121	9-48	AG515764	14-30	AG517158	14-38
AG515121	9-14	AG515765	8-2	AG517158	7-47
AG515121	11-11	AG515766	14-30	AG517159	14-38
AG515121	9-41	AG515766	14-26	AG517362	9-6
AG515121	11-14	AG515766	14-38	AG517369	9-6
AG515121	15-10	AG515766	14-34	AG517550	9-15
AG515121	6-8	AG515927	7-34	AG517556	2-5
AG515122	9-51	AG515927	7-36	AG517556	2-4
AG515122	14-11	AG515927	14-28	AG517556	7-43
AG515122	9-25	AG515928	14-28	AG517556	7-44
AG515122	9-34	AG515928	7-34	AG517560	7-57
AG515122	9-10	AG515928	7-36	AG517616	8-2
AG515122	9-13	AG515980	15-7	AG517618	14-38
AG515122	9-41	AG515981	7-42	AG517618	14-34
AG515122	14-1	AG516176	7-44	AG517618	14-26
AG515122	9-17	AG516176	7-43	AG517618	14-30
AG515122	11-9	AG516193	1-4	AG517657	9-14
AG515122	15-10	AG516206	6-3	AG517694	9-36
AG515122	11-16	AG516206	6-2	AG517766	12-9
AG515122	11-7	AG516206	6-5	AG517766	12-14
AG515122	9-2	AG516206	6-8	AG517766	12-12
AG515122	9-48	AG516206	6-6	AG517766	12-6
AG515122	15-15	AG516229	6-10	AG517766	12-5
AG515123	15-10	AG516231	6-10	AG517766	12-11
AG515123	6-3	AG516233	6-17	AG517766	12-8
AG515123	6-6	AG516233	6-14	AG517766	12-15
AG515123	15-15	AG516233	6-8	AG517938	6-17
AG515123	9-13	AG516403	1-24	AG517942	14-27
AG515123	9-48	AG516403	14-1	AG517975	9-13
AG515123	9-51	AG516431	6-2	AG518038	10-24
AG515123	11-9	AG516431	6-6	AG518038	10-23
AG515123	9-2	AG516431	6-5	AG518055	10-12
AG515123	9-25	AG516431	6-3	AG518071	15-1
AG515123	9-34	AG516461	15-8	AG518071	15-2
AG515123	14-1	AG516475	6-17	AG518292	4-4
AG515123	11-16	AG516476	6-8	AG518292	4-3
AG515123	11-7	AG516478	6-14	AG518361	2-15
AG515123	9-10	AG516478	6-8	AG518361	2-8
AG515140	7-31	AG516481	6-10	AG518421	5-69
AG515140	2-2	AG516481	6-11	AG518491	9-51
AG515140	5-98	AG516481	6-12	AG518491	9-48
AG515140	5-76	AG516637	1-5	AG518500	1-29
AG515140	5-78	AG516637	1-1	AG518500	11-11
AG515140	7-30	AG516642	1-2	AG518511	15-18
AG515141	15-1	AG516642	1-5	AG518511	15-17
AG515180	1-29	AG516643	15-24	AG518511	15-13

NUMERIC INDEX

AG518511	11-12	AG520140	7-47	AG520880	14-3
AG518511	15-20	AG520209	1-25	AG520885	5-84
AG518524	8-3	AG520260	8-2	AG520885	5-86
AG518524	8-1	AG520270	14-26	AG520885	2-5
AG518525	8-1	AG520270	14-34	AG520885	2-6
AG518526	8-1	AG520270	14-30	AG520910	9-14
AG518541	6-17	AG520270	14-38	AG520911	7-53
AG518618	2-7	AG520318	7-47	AG520911	7-52
AG518618	5-85	AG520426	4-1	AG520911	7-40
AG518622	7-45	AG520434	5-50	AG520922	15-25
AG518668	6-20	AG520584	1-8	AG520923	6-15
AG518673	7-47	AG520584	1-10	AG520923	15-25
AG518674	7-47	AG520614	2-15	AG520924	6-17
AG518676	7-47	AG520614	2-8	AG520929	11-2
AG518733	2-2	AG520614	10-15	AG520933	15-7
AG518764	6-8	AG520614	11-15	AG520934	15-7
AG518945	2-7	AG520614	11-3	AG520937	15-7
AG518989	9-18	AG520614	11-11	AG520940	15-24
AG518989	9-28	AG520614	11-14	AG520940	1-2
AG518989	9-9	AG520614	10-18	AG520940	1-5
AG519129	9-6	AG520614	11-5	AG520940	6-14
AG519154	5-7	AG520614	11-4	AG520944	15-9
AG519184	15-18	AG520617	5-30	AG520962	15-15
AG519184	15-17	AG520627	6-14	AG520962	7-47
AG519184	15-13	AG520627	15-24	AG520962	9-1
AG519184	15-20	AG520640	7-43	AG520964	6-14
AG519210	10-24	AG520640	7-44	AG520964	15-24
AG519211	10-23	AG520671	7-39	AG520989	10-25
AG519278	8-1	AG520675	9-13	AG521010	7-28
AG519288	14-34	AG520689	5-42	AG521016	7-51
AG519288	8-2	AG520691	3-1	AG521016	7-39
AG519288	14-26	AG520745	7-82	AG521017	9-47
AG519288	14-38	AG520758	1-21	AG521017	9-50
AG519288	14-30	AG520772	9-32	AG521048	11-7
AG519381	5-77	AG520772	9-23	AG521048	11-9
AG519447	1-11	AG520848	7-53	AG521048	11-16
AG519447	1-9	AG520848	7-54	AG521059	7-28
AG519448	1-9	AG520848	7-38	AG521140	5-73
AG519448	1-11	AG520848	7-48	AG521173	1-21
AG519481	11-16	AG520848	7-52	AG521283	11-13
AG519481	11-9	AG520848	7-50	AG521284	7-1
AG519481	11-7	AG520848	7-40	AG521284	7-14
AG519507	4-1	AG520848	9-4	AG521284	7-12
AG519525	15-21	AG520859	9-23	AG521284	7-16
AG519525	15-19	AG520859	9-43	AG521284	7-3
AG519570	5-30	AG520859	9-32	AG521284	7-8
AG519702	9-36	AG520862	7-8	AG521284	7-82
AG519741	1-25	AG520862	7-3	AG521284	7-6
AG519742	11-12	AG520862	7-16	AG521284	7-18
AG519757	9-36	AG520862	7-6	AG521342	11-2
AG519802	11-1	AG520862	7-14	AG521351	1-26
AG519802	11-2	AG520862	7-1	AG521357	7-44
AG520052	7-47	AG520862	7-18	AG521420	11-13
AG520052	9-13	AG520862	7-12	AG521578	7-75
AG520092	7-47	AG520875	7-28	AG521587	15-13
AG520092	9-13	AG520878	7-28	AG521587	5-86
AG520093	7-47	AG520879	14-7	AG521587	15-20
AG520093	9-13	AG520879	7-34	AG521587	5-84
AG520099	10-1	AG520879	7-36	AG521587	15-17

NUMERIC INDEX

AG521587	15-18	AG522511	15-9	AG523347	7-68
AG521657	11-12	AG522530	2-2	AG523347	7-55
AG521668	9-5	AG522554	1-15	AG523348	7-68
AG521728	9-12	AG522555	1-20	AG523348	7-80
AG521730	7-50	AG522555	1-18	AG523348	7-55
AG521730	7-54	AG522562	11-2	AG523348	7-33
AG521730	9-4	AG522562	11-16	AG523361	10-29
AG521730	7-38	AG522562	11-1	AG523362	4-2
AG521791	7-56	AG522572	11-2	AG523362	10-13
AG521792	7-56	AG522577	2-13	AG523362	10-1
AG522068	14-11	AG522591	1-21	AG523363	6-13
AG522183	4-3	AG522612	2-13	AG523365	10-13
AG522183	4-4	AG522709	2-2	AG523365	10-1
AG522196	6-3	AG522710	2-2	AG523366	6-13
AG522196	6-14	AG522711	2-6	AG523369	12-17
AG522196	6-6	AG522711	2-4	AG523374	10-13
AG522196	15-24	AG522718	2-2	AG523375	6-13
AG522242	10-29	AG522719	2-2	AG523376	10-1
AG522243	10-29	AG522722	15-19	AG523407	14-15
AG522244	14-1	AG522722	15-21	AG523432	1-29
AG522245	14-1	AG522723	15-21	AG523433	14-17
AG522246	14-15	AG522723	15-19	AG523434	14-17
AG522246	14-1	AG522742	11-7	AG523464	14-33
AG522246	14-16	AG522742	11-9	AG523464	14-16
AG522247	14-1	AG522813	6-9	AG523466	1-2
AG522247	14-15	AG522813	6-8	AG523466	1-5
AG522247	14-16	AG522831	2-2	AG523508	7-53
AG522277	2-2	AG522832	2-2	AG523508	7-54
AG522278	2-2	AG522846	2-13	AG523508	14-16
AG522285	2-11	AG522847	2-13	AG523508	14-4
AG522285	2-10	AG522848	2-13	AG523508	7-34
AG522285	2-12	AG522855	5-47	AG523508	14-14
AG522297	9-10	AG522855	1-30	AG523508	14-10
AG522298	9-10	AG522875	2-4	AG523508	9-4
AG522327	5-83	AG522877	2-9	AG523508	7-36
AG522349	6-12	AG522886	2-2	AG523508	7-50
AG522349	6-11	AG522890	2-9	AG523508	7-52
AG522349	6-10	AG522907	14-29	AG523508	14-15
AG522356	15-21	AG522969	7-31	AG523508	7-38
AG522356	15-19	AG522969	7-30	AG523508	7-40
AG522357	15-21	AG522976	5-50	AG523549	14-15
AG522357	15-19	AG522992	14-15	AG523559	5-37
AG522364	5-69	AG523184	2-6	AG523559	5-14
AG522376	1-21	AG523184	2-4	AG523581	9-44
AG522377	1-21	AG523200	14-31	AG523590	11-3
AG522378	1-21	AG523200	14-35	AG523590	11-14
AG522406	11-12	AG523200	14-12	AG523590	10-15
AG522410	7-32	AG523200	11-17	AG523590	10-18
AG522410	9-34	AG523201	14-35	AG523590	11-4
AG522410	9-25	AG523201	14-12	AG523590	11-5
AG522439	4-3	AG523201	14-31	AG523590	11-15
AG522439	4-4	AG523201	11-17	AG523591	10-29
AG522453	4-3	AG523259	11-11	AG523691	7-85
AG522453	4-4	AG523281	13-1	AG523734	1-31
AG522486	15-20	AG523326	14-17	AG523771	15-3
AG522486	15-13	AG523329	2-5	AG523814	11-14
AG522486	15-17	AG523340	14-17	AG523814	11-15
AG522486	15-18	AG523347	7-80	AG523814	11-5
AG522487	7-51	AG523347	7-33	AG523814	10-18

NUMERIC INDEX

AG523814	11-4	AG550205	6-14	AG550485	15-22
AG523814	10-15	AG550205	2-6	AG550485	11-17
AG523814	11-3	AG550205	6-3	AG550485	15-11
AG523877	11-13	AG550205	15-24	AG550485	1-2
AG523919	4-3	AG550205	6-6	AG550493	7-32
AG523919	4-4	AG550205	4-4	AG550493	9-1
AG523925	9-50	AG550205	4-3	AG550493	2-14
AG523925	9-47	AG550205	5-11	AG550493	2-7
AG524075	15-10	AG550205	5-2	AG550493	9-28
AG524111	15-19	AG550205	1-24	AG550493	9-2
AG524111	15-21	AG550213	5-2	AG550493	9-19
AG524123	14-7	AG550213	2-6	AG550493	15-11
AG524139	15-10	AG550213	4-4	AG550493	5-85
AG524140	15-10	AG550213	6-14	AG550493	15-15
AG524144	15-11	AG550213	9-14	AG550493	1-2
AG524144	15-22	AG550213	4-3	AG550493	8-1
AG524199	1-30	AG550213	15-24	AG550493	1-30
AG524244	7-86	AG550248	2-4	AG550493	11-13
AG524270	9-50	AG550256	2-7	AG550493	1-5
AG524270	9-47	AG550256	2-10	AG550493	15-22
AG524291	8-2	AG550256	4-4	AG550493	9-43
AG524338	6-19	AG550256	5-77	AG550507	8-1
AG524341	14-1	AG550256	2-2	AG550507	14-16
AG524510	7-81	AG550256	2-11	AG550507	6-8
AG524539	4-1	AG550256	2-12	AG550507	9-39
AG524540	15-28	AG550256	4-3	AG550507	9-19
AG524540	15-27	AG550264	5-77	AG550507	9-43
AG524540	4-1	AG550264	1-11	AG550507	11-13
AG524574	5-69	AG550264	4-3	AG550507	11-12
AG550124	4-4	AG550264	2-2	AG550507	1-30
AG550124	8-1	AG550264	4-4	AG550507	9-28
AG550124	4-3	AG550264	11-12	AG550507	2-14
AG550124	2-7	AG550264	2-7	AG550515	4-1
AG550124	1-11	AG550264	8-1	AG550515	11-13
AG550124	1-9	AG550264	1-9	AG550515	2-14
AG550167	12-1	AG550264	2-4	AG550558	3-3
AG550167	12-16	AG550280	15-21	AG550612	11-13
AG550175	2-14	AG550280	15-17	AG550612	8-1
AG550175	5-2	AG550280	5-69	AG550612	1-2
AG550175	15-9	AG550280	15-20	AG550612	9-43
AG550175	1-21	AG550280	15-19	AG550612	2-14
AG550183	11-12	AG550280	15-18	AG550612	2-7
AG550183	11-13	AG550280	15-13	AG550612	5-85
AG550183	5-30	AG550353	2-11	AG550612	1-5
AG550191	1-11	AG550353	4-4	AG550612	15-22
AG550191	12-16	AG550353	2-12	AG550671	1-5
AG550191	5-69	AG550353	2-10	AG550671	1-2
AG550191	1-30	AG550353	1-11	AG550698	6-8
AG550191	15-9	AG550353	1-9	AG550698	9-39
AG550191	2-14	AG550353	4-3	AG550698	9-43
AG550191	6-14	AG550485	11-12	AG550698	7-45
AG550191	14-14	AG550485	11-13	AG550779	1-29
AG550191	12-1	AG550485	5-85	AG550779	11-12
AG550191	15-22	AG550485	8-1	AG550809	2-16
AG550191	5-2	AG550485	9-28	AG550817	1-11
AG550191	1-21	AG550485	9-19	AG550817	1-9
AG550191	1-9	AG550485	2-14	AG550825	1-21
AG550191	15-11	AG550485	1-5	AG550825	1-1
AG550191	4-1	AG550485	1-30	AG550825	2-14

NUMERIC INDEX

AG550825	1-9	AG551252	5-11	AG554308	5-11
AG550825	6-14	AG551252	6-14	AG554855	11-13
AG550825	1-11	AG551341	2-7	AG555045	6-17
AG550825	4-1	AG551341	5-85	AG555169	5-69
AG550825	1-5	AG551392	11-12	AG555193	6-8
AG550825	15-22	AG551503	5-2	AG555193	1-24
AG550833	5-30	AG551503	15-22	AG555215	6-8
AG550892	6-8	AG551503	11-12	AG555290	15-3
AG550906	6-6	AG551503	2-14	AG555290	6-17
AG550906	6-3	AG551503	15-11	AG555452	1-29
AG550914	14-30	AG551503	5-69	AG556149	2-2
AG550914	7-47	AG551864	15-1	AG556289	2-6
AG550914	9-4	AG551864	15-2	AG556300	7-45
AG550914	14-25	AG552127	1-9	AG556475	5-69
AG550922	7-36	AG552127	1-11	AG556580	15-3
AG550922	7-34	AG552240	1-11	AG556580	6-17
AG550922	14-25	AG552240	1-9	AG556696	6-12
AG550922	9-4	AG552291	15-8	AG556696	6-11
AG550922	1-19	AG552445	1-1	AG556696	6-10
AG550922	7-47	AG552461	4-3	AG557307	5-30
AG550922	14-30	AG552461	4-4	AG557668	6-6
AG550922	1-16	AG552461	6-17	AG557668	15-7
AG550930	14-25	AG552860	6-6	AG557668	6-3
AG550930	14-30	AG552860	15-24	AG557676	15-13
AG550949	6-8	AG552860	6-14	AG557676	15-18
AG550981	2-14	AG552860	6-3	AG557676	15-20
AG550981	15-13	AG553115	1-24	AG557676	7-45
AG550981	15-20	AG553115	6-12	AG557676	11-2
AG550981	15-18	AG553115	6-11	AG557676	15-17
AG550981	15-17	AG553115	6-10	AG558486	6-11
AG551007	4-4	AG553158	1-24	AG558486	6-12
AG551007	11-2	AG553174	4-3	AG558486	6-10
AG551007	14-4	AG553492	6-17	AG558699	7-45
AG551007	14-10	AG553522	6-8	AG558699	8-1
AG551007	14-15	AG553530	1-2	AG558788	6-8
AG551007	4-3	AG553530	6-12	AG559024	7-85
AG551007	11-12	AG553530	6-11	AG559024	1-5
AG551007	4-1	AG553530	1-5	AG559083	15-19
AG551007	15-9	AG553549	6-17	AG559083	15-21
AG551015	6-3	AG553557	7-82	AG559105	15-24
AG551015	6-6	AG553557	1-4	AG559105	2-6
AG551015	15-24	AG553557	14-4	AG559237	10-15
AG551015	11-12	AG553557	14-27	AG559237	11-11
AG551015	2-6	AG553557	14-7	AG559237	2-6
AG551015	11-13	AG553557	14-29	AG559237	2-15
AG551015	4-4	AG553557	9-31	AG559237	11-15
AG551015	4-3	AG553557	9-23	AG559237	2-4
AG551015	14-1	AG553557	14-20	AG559237	11-5
AG551015	11-2	AG553557	14-16	AG559237	10-18
AG551058	15-20	AG553557	14-10	AG559237	11-4
AG551058	15-13	AG553557	9-22	AG559237	11-3
AG551058	15-17	AG553557	14-15	AG559237	11-14
AG551058	15-18	AG553557	15-11	AG559237	2-8
AG551058	5-84	AG553662	5-84	AG559237	1-30
AG551058	5-86	AG553670	7-47	AG559415	1-26
AG551139	5-69	AG553956	11-12	AG559768	5-11
AG551201	4-4	AG554057	6-17	AG560227	7-47
AG551201	4-3	AG554278	9-47	AG560278	5-80
AG551252	15-24	AG554278	9-50	AG560456	11-11

NUMERIC INDEX

AG560553	1-29	AG561867	4-4	AG562051	9-10
AG560693	14-3	AG561874	7-45	AG562053	9-11
AG560693	4-1	AG561879	5-7	AG562053	14-1
AG560707	15-7	AG561879	5-30	AG562054	9-14
AG560899	5-18	AG561884	13-4	AG562054	9-28
AG561025	6-9	AG561892	2-13	AG562054	9-19
AG561025	4-4	AG561896	9-6	AG562061	7-47
AG561025	15-1	AG561896	10-1	AG562061	9-13
AG561025	1-26	AG561897	9-6	AG562062	14-1
AG561025	4-3	AG561897	10-1	AG562064	9-41
AG561025	4-1	AG561905	9-13	AG562064	14-11
AG561067	5-2	AG561921	1-8	AG562064	15-10
AG561081	5-30	AG561921	1-10	AG562065	7-47
AG561203	1-9	AG561952	11-5	AG562065	10-29
AG561203	1-11	AG561952	11-14	AG562065	5-86
AG561209	1-24	AG561952	11-4	AG562065	9-23
AG561213	1-26	AG561952	9-34	AG562065	9-32
AG561215	1-9	AG561952	11-11	AG562065	9-13
AG561215	1-11	AG561952	11-15	AG562065	5-83
AG561229	15-1	AG561952	11-3	AG562065	15-1
AG561254	1-21	AG561952	9-25	AG562066	7-34
AG561262	2-16	AG562009	14-3	AG562066	7-36
AG561308	14-3	AG562013	11-2	AG562067	9-19
AG561341	15-25	AG562045	14-1	AG562067	9-28
AG561391	14-3	AG562046	14-1	AG562071	1-5
AG561400	15-11	AG562046	11-16	AG562071	1-2
AG561400	15-22	AG562046	2-4	AG562072	9-32
AG561489	5-85	AG562047	14-1	AG562072	9-23
AG561489	14-16	AG562047	9-13	AG562073	5-78
AG561501	2-9	AG562047	9-41	AG562073	5-76
AG561528	6-6	AG562047	9-17	AG562073	1-5
AG561528	6-3	AG562048	1-1	AG562073	1-1
AG561617	8-1	AG562048	10-29	AG562073	1-2
AG561629	14-3	AG562048	2-6	AG562073	15-1
AG561659	1-29	AG562048	11-2	AG562073	5-98
AG561665	11-3	AG562048	2-4	AG562073	1-26
AG561665	11-11	AG562048	5-83	AG562073	11-1
AG561665	11-5	AG562048	1-5	AG562073	10-12
AG561665	11-14	AG562048	11-1	AG562073	5-83
AG561665	11-15	AG562048	5-86	AG562074	1-2
AG561665	11-4	AG562049	15-1	AG562074	15-7
AG561679	10-14	AG562050	5-86	AG562074	1-24
AG561679	10-11	AG562050	1-5	AG562074	10-14
AG561679	14-25	AG562050	11-11	AG562074	14-1
AG561679	14-38	AG562050	1-26	AG562074	1-5
AG561679	14-30	AG562050	15-1	AG562076	1-5
AG561699	7-43	AG562050	9-32	AG562076	15-7
AG561699	7-44	AG562050	1-1	AG562076	1-2
AG561722	4-4	AG562050	9-23	AG562076	14-1
AG561728	6-6	AG562050	7-47	AG562076	1-24
AG561728	6-3	AG562050	9-13	AG562081	9-13
AG561753	9-11	AG562050	5-83	AG562081	9-14
AG561780	6-5	AG562050	10-29	AG562081	7-47
AG561780	6-2	AG562051	9-32	AG562082	12-3
AG561793	5-86	AG562051	15-1	AG562082	12-2
AG561797	4-1	AG562051	9-23	AG562082	2-14
AG561828	5-37	AG562051	10-12	AG562082	10-18
AG561828	5-14	AG562051	1-2	AG562082	11-14
AG561867	4-3	AG562051	1-5	AG562082	11-15

NUMERIC INDEX

AG562082	11-5	AG562490	2-2	AG563176	9-19
AG562082	11-3	AG562551	2-2	AG563176	7-53
AG562082	14-29	AG562568	5-30	AG563176	9-28
AG562082	11-4	AG562639	9-2	AG600008	11-13
AG562082	10-15	AG562639	14-16	AG600016	2-14
AG562086	2-14	AG562639	7-47	AG600024	11-13
AG562090	15-1	AG562639	7-36	AG600660	2-4
AG562090	1-5	AG562639	7-34	AG600849	1-21
AG562090	9-44	AG562639	15-15	AG600857	1-21
AG562090	15-7	AG562639	7-32	AG601152	11-12
AG562090	9-10	AG562644	14-38	AG601152	2-2
AG562090	1-2	AG562644	14-30	AG601152	4-3
AG562099	15-15	AG562644	14-25	AG601152	4-4
AG562099	9-2	AG562789	1-11	AG601217	2-4
AG562120	10-29	AG562789	1-9	AG601225	11-13
AG562120	5-83	AG562790	1-25	AG601411	11-13
AG562120	1-26	AG562790	14-8	AG601411	11-2
AG562121	1-29	AG562792	9-2	AG601411	15-9
AG562127	14-29	AG562792	14-15	AG601411	4-4
AG562128	9-11	AG562792	7-47	AG601411	4-3
AG562129	9-17	AG562792	14-16	AG601888	4-4
AG562148	9-43	AG562792	7-82	AG601888	11-13
AG562196	7-50	AG562792	7-27	AG601888	4-3
AG562196	7-53	AG562792	14-4	AG601888	11-2
AG562196	7-52	AG562792	14-24	AG602124	1-29
AG562196	7-54	AG562792	15-15	AG603864	2-9
AG562196	14-30	AG562792	14-10	AG604110	6-18
AG562196	9-4	AG562792	15-12	AG604167	9-32
AG562196	7-38	AG562792	9-12	AG604167	9-23
AG562196	14-25	AG562793	7-47	AG604167	5-76
AG562229	5-69	AG562793	14-15	AG604184	2-9
AG562237	9-19	AG562793	14-7	AG604203	2-2
AG562237	7-32	AG562793	14-4	AG604216	6-8
AG562237	9-28	AG562793	14-10	AG604414	14-29
AG562237	9-11	AG562793	14-24	AG604415	10-26
AG562237	14-11	AG562928	7-47	AG604416	11-16
AG562323	9-6	AG562929	7-47	AG606258	7-44
AG562327	14-24	AG562930	7-47	AG606258	2-2
AG562327	7-27	AG562931	7-47	AG606258	7-43
AG562327	14-15	AG562933	7-47	AG606489	9-25
AG562327	9-2	AG562938	14-35	AG606489	9-34
AG562327	14-4	AG562938	14-31	AG606489	2-5
AG562327	15-15	AG562938	14-12	AG606730	11-16
AG562327	9-19	AG563016	5-86	AG606734	8-1
AG562327	14-10	AG563094	7-47	AG607237	8-3
AG562327	9-28	AG563094	12-3	AG607298	11-6
AG562327	15-12	AG563094	12-2	AG607312	11-9
AG562330	10-15	AG563174	7-47	AG607312	11-16
AG562330	10-18	AG563174	14-10	AG607312	11-7
AG562330	6-13	AG563174	14-4	AG609024	6-18
AG562364	14-10	AG563174	14-15	AG609084	11-2
AG562364	14-4	AG563175	7-50	AG609084	11-16
AG562364	14-15	AG563175	14-15	AG609084	11-1
AG562364	14-14	AG563175	7-38	AG609311	2-6
AG562372	4-1	AG563175	14-4	AG609311	2-5
AG562388	11-16	AG563175	7-52	AG609311	2-4
AG562438	15-9	AG563175	7-47	AG609312	2-5
AG562463	1-11	AG563175	14-10	AG609312	2-6
AG562463	1-9	AG563176	7-54	AG609312	2-4

NUMERIC INDEX

AG609313	2-5	AG610657	15-4	AG716814	5-20
AG609313	2-6	AG610658	15-4	AG717097	5-97
AG609313	7-44	AG610787	14-27	AG717097	5-96
AG609313	7-43	AG610787	14-29	AG717101	5-97
AG609313	2-4	AG610787	14-39	AG717101	5-96
AG609314	2-6	AG610788	14-39	AG717120	5-97
AG609418	1-31	AG610788	14-27	AG717357	5-29
AG609418	5-71	AG610788	14-28	AG718058	5-50
AG609418	3-3	AG610792	14-39	AG718252	10-10
AG609418	5-69	AG610878	5-9	AG718252	10-9
AG609486	10-24	AG702187	6-18	AG718279	7-68
AG609486	10-23	AG704540	8-1	AG718280	7-68
AG609681	6-17	AG710181	7-47	AG718281	7-68
AG609681	15-25	AG710181	14-4	AG718288	7-72
AG609681	6-15	AG710181	14-10	AG718289	7-72
AG609682	15-25	AG710181	14-15	AG718290	7-72
AG609682	6-17	AG711440	10-10	AG718296	7-68
AG609682	6-15	AG711440	10-9	AG718304	7-68
AG609683	15-25	AG712294	5-97	AG718313	7-68
AG609683	6-15	AG712925	5-13	AG718314	7-68
AG609683	6-17	AG713281	5-97	AG718315	7-73
AG609797	6-15	AG713281	5-96	AG718316	7-73
AG609797	15-25	AG713398	11-13	AG718319	7-74
AG609797	6-17	AG713497	5-97	AG718322	7-74
AG609798	6-15	AG713497	5-96	AG718325	7-74
AG609798	15-25	AG713517	5-97	AG718327	7-74
AG609798	6-17	AG713517	5-96	AG718333	7-68
AG609855	11-16	AG713525	5-96	AG718339	7-76
AG609867	10-9	AG713525	5-97	AG718340	7-76
AG609867	10-10	AG714101	5-77	AG718348	7-84
AG609868	10-9	AG714257	1-39	AG718349	7-84
AG609868	10-10	AG714257	1-30	AG718351	7-84
AG609869	10-9	AG714257	1-32	AG718352	7-84
AG609869	10-10	AG714257	1-33	AG718354	7-83
AG609898	3-3	AG714377	10-9	AG718355	7-83
AG610106	6-16	AG714377	10-10	AG718356	7-84
AG610401	9-15	AG715132	1-13	AG718356	7-83
AG610420	1-22	AG715270	5-96	AG718357	7-83
AG610513	7-41	AG715270	5-97	AG718358	7-83
AG610514	7-41	AG715302	5-97	AG718358	7-84
AG610606	9-13	AG715302	5-96	AG718361	7-83
AG610616	14-17	AG715330	5-97	AG718362	7-83
AG610617	14-25	AG715330	5-96	AG718364	7-78
AG610619	14-12	AG715331	5-97	AG718367	7-78
AG610620	14-12	AG715331	5-96	AG718368	7-78
AG610620	14-32	AG715337	5-97	AG718369	7-78
AG610620	14-31	AG715337	5-96	AG718370	7-78
AG610621	14-12	AG715514	10-10	AG718371	7-78
AG610624	14-26	AG715514	10-9	AG718372	7-64
AG610624	14-30	AG715570	5-20	AG718373	7-64
AG610624	14-32	AG715571	5-20	AG718377	7-64
AG610649	15-4	AG715586	15-28	AG718381	7-74
AG610650	15-4	AG715586	15-27	AG718381	7-62
AG610651	15-4	AG715586	5-3	AG718381	7-65
AG610652	15-4	AG715586	5-4	AG718382	7-64
AG610653	15-4	AG716527	5-96	AG718383	7-65
AG610654	15-4	AG716527	5-97	AG718383	7-64
AG610655	15-4	AG716810	5-20	AG718383	7-62
AG610656	15-4	AG716811	5-3	AG718394	7-84

NUMERIC INDEX

AG718395	7-84	AG723837	5-96	AG725284	5-97
AG718396	7-84	AG723843	5-97	AG725285	5-96
AG718397	7-84	AG723843	5-96	AG725285	5-97
AG718399	7-84	AG723844	5-96	AG725290	5-96
AG718400	7-84	AG723844	5-97	AG725290	5-97
AG718401	7-84	AG723845	5-97	AG725292	5-97
AG718402	7-84	AG723845	5-96	AG725292	5-96
AG718403	7-84	AG723846	5-97	AG725624	7-45
AG718404	7-83	AG723846	5-96	AG725626	7-45
AG718404	7-84	AG723847	5-96	AG725658	5-3
AG718405	7-84	AG723847	5-97	AG725658	5-4
AG718406	7-84	AG723848	5-96	AG725737	5-97
AG718407	7-84	AG723848	5-97	AG725774	10-9
AG718408	7-84	AG723852	5-96	AG726134	7-77
AG718456	7-72	AG723852	5-97	AG726285	5-96
AG718787	7-70	AG723853	5-97	AG726285	5-97
AG718788	7-70	AG723855	5-97	AG726286	5-96
AG718789	7-70	AG723855	5-96	AG726286	5-97
AG718798	7-70	AG723856	5-97	AG726289	5-97
AG718801	7-70	AG723856	5-96	AG726289	5-96
AG718805	7-70	AG723863	5-97	AG726292	5-96
AG718806	7-70	AG723863	5-96	AG726292	5-97
AG719075	7-67	AG723864	5-97	AG726301	5-96
AG719141	7-75	AG723865	5-97	AG726301	5-97
AG719303	7-70	AG723865	5-96	AG726304	5-97
AG719383	7-74	AG723949	5-96	AG726304	5-96
AG719617	9-7	AG723949	5-97	AG726328	5-96
AG719617	9-8	AG723965	5-96	AG726328	5-97
AG719989	7-67	AG723965	5-97	AG726329	5-96
AG719990	7-68	AG723967	5-96	AG726329	5-97
AG721040	10-22	AG723967	5-97	AG726331	5-97
AG721447	7-76	AG723968	5-97	AG726331	5-96
AG721718	7-65	AG723968	5-96	AG726334	5-96
AG721718	7-62	AG723969	5-96	AG726334	5-97
AG721718	7-67	AG723969	5-97	AG726335	5-96
AG721720	7-67	AG723972	5-96	AG726335	5-97
AG721721	7-67	AG723972	5-97	AG726336	5-97
AG721722	7-67	AG724201	6-16	AG726336	5-96
AG721723	7-67	AG724582	1-28	AG726337	5-96
AG721837	7-45	AG724668	15-5	AG726337	5-97
AG721848	7-63	AG724669	15-5	AG726338	5-96
AG721853	7-45	AG724670	15-5	AG726338	5-97
AG721854	7-45	AG724680	15-5	AG726339	5-97
AG721855	7-45	AG724807	7-77	AG726339	5-96
AG721858	7-45	AG725113	7-78	AG726340	5-97
AG721909	7-63	AG725132	7-83	AG726341	5-97
AG722182	7-67	AG725237	7-77	AG726342	5-97
AG722382	7-63	AG725277	5-96	AG726344	5-97
AG722601	1-39	AG725277	5-97	AG726345	5-97
AG722601	1-33	AG725279	5-96	AG726346	5-97
AG722838	7-77	AG725280	5-97	AG726347	5-97
AG723380	6-16	AG725280	5-96	AG726348	5-96
AG723382	6-16	AG725281	5-97	AG726348	5-97
AG723383	6-16	AG725281	5-96	AG726349	5-97
AG723385	6-16	AG725282	5-96	AG726351	5-97
AG723386	6-16	AG725282	5-97	AG726353	5-97
AG723449	5-3	AG725283	5-96	AG726353	5-96
AG723449	5-4	AG725283	5-97	AG726354	5-97
AG723805	7-74	AG725284	5-96	AG726354	5-96

NUMERIC INDEX

AG726359	5-96	AG727297	1-35	AG727672	5-49
AG726360	5-96	AG727299	1-46	AG729196	1-46
AG726360	5-97	AG727483	7-84	AG729197	1-45
AG726378	5-97	AG727484	15-5	AG729198	1-45
AG726897	6-18	AG727485	15-5	AG729199	1-45
AG726962	5-96	AG727486	15-5	AG831500	5-7
AG726962	5-97	AG727487	15-5	AG844463	11-9
AG726963	5-96	AG727488	15-5	AG844463	11-7
AG726963	5-97	AG727508	1-16	CH132-5789	9-41
AG726964	5-97	AG727508	1-19	CH132-5789	9-17
AG726964	5-96	AG727509	1-19	CH148-8305	1-30
AG726999	7-45	AG727509	1-16	CH148-8305	1-29
AG727000	7-45	AG727510	1-19	CH148-8327	1-31
AG727001	7-45	AG727510	1-16	CH148-8334	5-7
AG727002	7-45	AG727511	1-19	CH148-8334	5-30
AG727003	7-45	AG727511	1-16	CH148-8340	5-7
AG727004	7-45	AG727512	1-19	CH148-8340	5-48
AG727018	7-45	AG727512	1-16	CH148-8346	5-39
AG727021	7-45	AG727513	1-16	CH148-8346	5-48
AG727022	7-45	AG727513	1-19	CH148-8353	15-1
AG727023	7-45	AG727514	1-19	CH148-8353	5-22
AG727024	7-45	AG727514	1-16	CH148-8353	5-18
AG727025	7-45	AG727515	1-19	CH148-8356	5-7
AG727054	1-45	AG727515	1-16	CH148-8356	5-83
AG727055	1-45	AG727517	1-16	CH148-8361	1-31
AG727056	5-96	AG727517	1-19	CH148-8364	1-30
AG727057	1-45	AG727518	1-16	CH148-8364	5-7
AG727072	1-45	AG727518	1-19	CH148-8364	5-48
AG727074	1-45	AG727519	1-19	CH148-8364	5-22
AG727078	1-45	AG727519	1-16	CH148-8374	5-39
AG727079	1-45	AG727520	1-19	CH148-8375	15-1
AG727080	1-45	AG727520	1-16	CH148-8377	15-1
AG727081	1-45	AG727521	1-16	CH148-8378	15-1
AG727094	7-70	AG727521	1-19	CH148-8378	5-22
AG727096	7-70	AG727522	1-16	CH148-8378	1-29
AG727097	7-70	AG727522	1-19	CH148-8433	1-30
AG727112	5-38	AG727523	1-16	CH148-8433	15-23
AG727147	5-20	AG727523	1-19	CH148-8444	5-92
AG727187	1-46	AG727524	1-16	CH148-8444	5-42
AG727190	1-46	AG727524	1-19	CH148-8444	5-94
AG727191	1-46	AG727526	1-16	CH148-8444	15-23
AG727192	1-46	AG727526	1-19	CH148-8444	5-73
AG727193	1-46	AG727527	1-16	CH148-8444	5-7
AG727195	1-46	AG727527	1-19	CH164-5624	15-1
AG727199	1-46	AG727528	1-16	CH164-9869	5-69
AG727280	1-45	AG727528	1-19	CH177-9778	1-12
AG727281	1-38	AG727529	1-16	CH177-9778	4-1
AG727281	1-45	AG727529	1-19	CH177-9778	1-14
AG727281	1-46	AG727530	1-19	CH183-3902	5-7
AG727281	1-44	AG727530	1-16	CH1R-0771	15-27
AG727282	1-46	AG727531	1-16	CH1R-0771	1-14
AG727283	1-46	AG727531	1-19	CH1R-0771	4-1
AG727284	1-46	AG727532	1-19	CH1R-0771	1-12
AG727285	1-46	AG727532	1-16	CH1R-0771	15-28
AG727287	1-46	AG727533	1-16	CH205-3692	15-3
AG727288	1-46	AG727533	1-19	CH207-2021	7-8
AG727289	1-46	AG727535	1-19	CH207-2021	7-3
AG727297	1-46	AG727535	1-16	CH207-2021	7-12
AG727297	1-41	AG727651	5-97	CH207-2021	7-14

NUMERIC INDEX

CH207-2021	7-6	CH6V-5839	7-11	CH9X-1046	7-6
CH207-2021	7-18	CH6V-5839	7-13	CH9X-2039	7-7
CH207-2021	7-16	CH6V-5839	7-91	CH9X-2039	7-9
CH207-2021	7-1	CH6V-5839	7-15	CH9X-2039	7-15
CH214-1071	7-3	CH6V-5839	7-7	CH9X-2039	7-13
CH214-1071	7-18	CH6V-5839	7-17	CH9X-2039	7-11
CH214-1071	7-1	CH6V-5839	7-2	CH9X-2039	7-2
CH214-1071	7-6	CH6V-8398	5-59	CH9X-2039	7-4
CH214-1071	7-12	CH6V-8398	5-74	CH9X-2039	7-17
CH214-1071	7-16	CH6V-8398	5-40	CH9X-2044	7-18
CH214-1071	7-14	CH6V-8398	5-46	CH9X-2044	7-14
CH214-1071	7-8	CH6V-8398	5-35	CH9X-2044	7-6
CH2A-3211	7-6	CH6V-8398	5-43	CH9X-2044	7-3
CH2A-3211	7-14	CH6V-8398	5-32	CH9X-2044	7-12
CH2A-3211	7-8	CH6V-8398	5-21	CH9X-2044	7-16
CH2A-3211	7-3	CH6V-8398	5-72	CH9X-2044	7-1
CH2A-3211	7-16	CH6V-8398	5-45	CH9X-2044	7-8
CH2A-3211	7-1	CH6V-8628	5-52	CH9X-2134	5-36
CH2A-3211	7-18	CH6V-8637	5-67	CH9X-6165	7-8
CH2A-3211	7-12	CH6V-8714	5-28	CH9X-6165	7-6
CH2S-4078	5-53	CH6V-8723	5-41	CH9X-6165	7-12
CH2S-4078	5-25	CH6V-9028	5-44	CH9X-6165	7-14
CH3K-0360	5-72	CH6V-9828	1-30	CH9X-6165	7-18
CH3K-0360	5-21	CH6V-9829	5-77	CH9X-6165	7-16
CH3K-0360	5-41	CH6V-9836	5-68	CH9X-6165	7-1
CH3K-0360	5-40	CH6V-9837	5-94	CH9X-6165	7-3
CH3K-0360	5-69	CH6V-9837	5-93	NS	7-37
CH5P-0537	7-3	CH6V-9837	5-92	NS	7-20
CH5P-0537	7-8	CH7X-0583	7-9	NS	7-24
CH5P-0537	7-1	CH7X-0583	7-7	NS	7-21
CH5P-0537	7-14	CH7X-0583	7-11	NS	7-22
CH5P-0537	7-6	CH7X-0583	7-13	NS	7-23
CH5P-0537	7-18	CH7X-0583	7-4	NS	5-49
CH5P-0537	7-12	CH7X-0583	7-17	WR10193	2-15
CH5P-0537	7-16	CH7X-0583	7-2	WR11494	9-39
CH5P-8247	7-17	CH7X-0583	7-15	WR122574	5-71
CH5P-8247	7-15	CH8C-6416	5-73	WR123746	5-42
CH5P-8247	7-11	CH8T-0788	5-60	WR128879	1-31
CH5P-8247	7-2	CH8T-1686	5-40	WR129227	5-102
CH5P-8247	7-13	CH8T-3611	5-26	WR136831	11-5
CH5P-8247	7-4	CH8T-4122	1-30	WR136832	11-5
CH5P-8247	7-9	CH8T-6693	7-6	WR19092	5-86
CH5P-8247	7-7	CH8T-6693	7-1	WR19092	1-24
CH5P-9617	5-66	CH8T-6693	7-12	WR32723	5-7
CH5V-1496	7-50	CH8T-6693	7-18	WR32723	1-31
CH5V-1496	9-4	CH8T-6693	7-8	WR36036	11-13
CH5V-1496	7-40	CH8T-6693	7-14	WR41726	1-41
CH5V-1496	7-38	CH8T-6693	7-16	WR41726	1-35
CH5V-1496	7-52	CH8T-6693	7-3	WR41815	1-30
CH5V-1496	7-54	CH8T-7524	5-43	WR55065	14-8
CH5V-1496	7-53	CH8T-7524	5-46	WR55070	14-7
CH6D-1641	1-9	CH8T-7524	5-45	WR55075	14-14
CH6D-1641	1-11	CH9X-1046	7-18	WR55102	14-7
CH6K-6307	5-34	CH9X-1046	7-8	WR55104	14-7
CH6K-6307	5-33	CH9X-1046	7-1	WR55233	9-34
CH6K-6307	5-56	CH9X-1046	7-3	WR55233	9-25
CH6V-5839	7-9	CH9X-1046	7-16	WR55247	5-85
CH6V-5839	7-4	CH9X-1046	7-12	WR55248	5-11
CH6V-5839	7-87	CH9X-1046	7-14	WR55360	1-29



AGCO Corporation
4205 River Green Parkway
Duluth, GA 30096-2568

©AGCO Corporation, 2006
Printed in U.S.A.