



**GMC**

**2015**

**Duramax Diesel**



# 2015 Chevrolet/GMC Duramax Diesel Supplement

---

<b>In Brief</b> .....	1-1	<b>Vehicle Care</b> .....	10-1
Initial Drive Information .....	1-1	General Information .....	10-1
Performance and Maintenance .....	1-2	Vehicle Checks .....	10-3
<b>Instruments and Controls</b> ....	5-1	<b>Service and Maintenance</b> ...	11-1
Warning Lights, Gauges, and Indicators .....	5-2	General Information .....	11-1
Information Displays .....	5-11	Maintenance Schedule .....	11-3
Vehicle Messages .....	5-12	Special Application Services .....	11-7
Vehicle Personalization .....	5-16	Recommended Fluids .....	11-8
<b>Driving and Operating</b> .....	9-1	Maintenance Records .....	11-12
Starting and Operating .....	9-1	<b>Technical Data</b> .....	12-1
Diesel Particulate Filter .....	9-11	Vehicle Data .....	12-2
Diesel Exhaust Fluid .....	9-13	<b>Index</b> .....	i-1
Brakes .....	9-20		
Fuel .....	9-21		
Towing .....	9-38		
Conversions and Add-Ons ...	9-43		

## ii Introduction

---

The names, logos, emblems, slogans, vehicle model names, and vehicle body designs appearing in this manual including, but not limited to, GM, the GM logo, CHEVROLET, GMC, the CHEVROLET and GMC Truck Emblems, SILVERADO, SIERRA, DENALI, EXPRESS, SAVANA, and Duramax are trademarks and/or service marks of General Motors LLC, its subsidiaries, affiliates, or licensors.

For vehicles first sold in Canada, substitute the name "General Motors of Canada Limited" for GMC and Chevrolet Motor Division wherever it appears in this manual.

This manual describes features that may or may not be on the vehicle because of optional equipment that was not purchased on the vehicle,

model variants, country specifications, features/applications that may not be available in your region, or changes subsequent to the printing of this owner manual.

Refer to the purchase documentation relating to your specific vehicle to confirm the features.

This manual contains information that pertains to the operation of your diesel engine. It also contains your Diesel Maintenance Schedule. The sections in this manual correspond to the sections in your owner manual. This manual, along with your owner manual, will assist you in the proper use and maintenance of your vehicle.

Keep this manual in the vehicle for quick reference.

## Canadian Vehicle Owners

### Propriétaires Canadiens

A French language manual can be obtained from your dealer, at [www.helminc.com](http://www.helminc.com), or from:

On peut obtenir un exemplaire de ce guide en français auprès du concessionnaire ou à l'adresse suivante:

Helm, Incorporated  
Attention: Customer Service  
47911 Halyard Drive  
Plymouth, MI 48170

### Using this Supplement

This supplement contains information specific to the unique components of the vehicle. It does not explain everything you need to know about the vehicle. Read this supplement along with the owner manual to learn about the vehicle's features and controls.

## Index

A good place to look for what you need is the Index in back of this supplement. It is an alphabetical list of what is in the supplement, and the page number where you will find it.



## In Brief

### Initial Drive Information

Transmission ..... 1-1

### Performance and Maintenance

Engine Oil Life System ..... 1-2

Diesel Particulate Filter ..... 1-2

Diesel Exhaust Fluid ..... 1-3

## Initial Drive Information

### Transmission

#### Cold Operation

When temperatures are very cold, the transmission will prevent certain operations to protect against damage. The information below shows shift range availability based on transmission oil temperature:

- All shift ranges available at  $-25^{\circ}\text{C}$  ( $-13^{\circ}\text{F}$ ) or above.
- 2 (Second) and 3 (Third) shift ranges only at  $-35^{\circ}\text{C}$  ( $-31^{\circ}\text{F}$ ) to  $-25^{\circ}\text{C}$  ( $-13^{\circ}\text{F}$ ).
- 2 (Second) shift range only at  $-35^{\circ}\text{C}$  ( $-31^{\circ}\text{F}$ ) or lower.

Torque converter clutch operation will also be prevented when air or transmission oil temperatures are below certain levels.

For areas where ambient temperatures are below  $-40^{\circ}\text{C}$  ( $-40^{\circ}\text{F}$ ), use synthetic transmission fluid approved to Allison Transmission<sup>®</sup> specification TES-295. See *Recommended Fluids and Lubricants on page 11-8* and *Automatic Transmission Fluid on page 10-9*.

#### Adaptive Shift Controls

The shift quality of a new vehicle may not be ideal because the Adaptive Shift Control process may not have determined the best settings for a particular shift or condition. Shift quality will improve with continued driving.

#### Low Traction Mode

Low Traction Mode aids in vehicle acceleration on slippery road surfaces such as ice or snow. By selecting 2 (Second) using Range Selection Mode while at a stop, the transmission will limit torque to the drive wheels to prevent slippage.

### Heater Performance Mode

When cold weather conditions are detected, the transmission raises part throttle upshift points after the 1 (First) to 2 (Second) upshift to increase engine speed. This feature shortens engine and cab warm up times.

When the transmission is in this mode, upshifts may be delayed. This is normal and does not indicate an operational problem.

### Four-Wheel Drive

When operating in 4 ↓ (Four-Wheel-Drive Low), there is a very deep gear reduction. The resulting shifts will feel exaggerated.

## Performance and Maintenance

### Engine Oil Life System

The engine oil life system calculates engine oil life based on vehicle use and displays the CHANGE ENGINE OIL SOON message when it is time to change the engine oil and filter. The oil life system should be reset to 100% only following an oil change. See “Engine Oil Life System” in the owner manual.

### Diesel Particulate Filter

The Duramax engine is equipped with a Diesel Particulate Filter (DPF) that, by design, will filter or trap particulates. The DPF is located under the vehicle in the exhaust system.

Depending on a number of factors monitored by the engine computer, the DPF will need to be cleaned of accumulated solids. When a cleaning is needed, the engine

computer will initiate a cleaning action by warming the exhaust gas temperature. This feature has been designed to operate automatically, with limited operator involvement or awareness.

### Cleaning the DPF (Exhaust Filter)

While the DPF cleaning is automatically controlled by the engine computer, the vehicle will need to operate continuously until the CLEANING EXHAUST FILTER KEEP DRIVING UNTIL MESSAGE IS CLEARED message is no longer displayed. Cleaning occurs most effectively above 48 km/h (30 mph). If the vehicle is returned to idle during the cleaning process, the driver may notice a slightly different sound or a slightly elevated engine idle speed. This is normal. No action is required on the part of the driver during a regular DPF cleaning. See *Diesel Particulate Filter on page 9-11*.

## Special DPF Driver Messages

If the vehicle is used for numerous short trips or extended slow-speed operation, the engine computer may not be able to adequately heat up the exhaust system to clean the DPF effectively. The engine computer has been designed to continuously monitor the condition of the DPF. When the engine computer detects that the DPF is nearly full of particulates and that the vehicle is not being operated in a manner that would allow effective automatic DPF cleaning, the Driver Information Center will display the message CLEANING EXHAUST FILTER KEEP DRIVING UNTIL MESSAGE IS CLEARED.

If the vehicle continues to be driven in a manner that prevents effective DPF cleaning, the DPF will become plugged with particulates. If this occurs, the engine computer will turn on the service engine soon light in the instrument cluster and the DIC will display the message ENGINE POWER IS REDUCED.

See *Diesel Particulate Filter on page 9-11* and *Engine Power Messages on page 5-13*.

## Fuel

### Use Ultra Low Sulfur Diesel Fuel (ULSD)

Use ULSD only. The emission control hardware used on the vehicle may be damaged by using fuel with high sulfur levels. Use only fuel that is dispensed from pumps bearing the ULSD label.

### Do Not Use Low Sulfur Diesel Fuel (LSD)

Do not use fuel that is dispensed from pumps bearing the LSD label.

### Do Not Use Non-Highway Fuel

Fuel labeled as off road or non-highway is typically very high in sulfur content and will damage the emission control system. Non-highway fuel is not intended for use in on-highway vehicles and

does not have the fuel properties needed by the DPF-equipped Duramax diesel.

In addition:

- Use the correct engine oil.
- Do not add gasoline to diesel fuel.
- Do not modify the induction or exhaust systems.

See *Fuel for Diesel Engines on page 9-21* and *Engine Oil on page 10-6*.

## Diesel Exhaust Fluid

Diesel Exhaust Fluid (DEF) is used with diesel engines to reduce the amount of regulated emissions produced. The DEF system must be maintained for the vehicle to run properly.



## 1-4 In Brief

---

### Locating Diesel Exhaust Fluid

DEF can be purchased at a Chevrolet or GMC dealer. It can also be purchased at authorized vehicle and truck dealerships. Additionally, some diesel truck fueling stations or retailers may have DEF for purchase. For vehicles with an active OnStar® subscription, OnStar can help to locate a DEF retailer. See “Customer Assistance Offices” in the owner manual for phone numbers to assist you in contacting a GM dealer. See *Recommended Fluids and Lubricants* on page 11-8.

As the DEF tank becomes low on fluid, warnings begin with approximately 1600 km (1,000 mi) of remaining range. These warnings will increase in intensity as the tank becomes empty. Once the tank is empty, the vehicle speed will be limited. If there is an issue with the quality of the fluid or the exhaust fluid system, warnings will be displayed in the Driver Information Center (DIC). See *Diesel Exhaust Fluid* on page 9-13.

# Instruments and Controls

## Warning Lights, Gauges, and Indicators

- Instrument Cluster ..... 5-2
- Fuel Gauge ..... 5-6
- Engine Oil Pressure Gauge ... 5-7
- Malfunction Indicator Lamp ... 5-8
- Wait-to-Start Light ..... 5-10
- Diesel Exhaust Fluid (DEF)
  - Warning Light ..... 5-11
- Power Take-Off Light ..... 5-11

## Information Displays

- Driver Information
  - Center (DIC) ..... 5-11

## Vehicle Messages

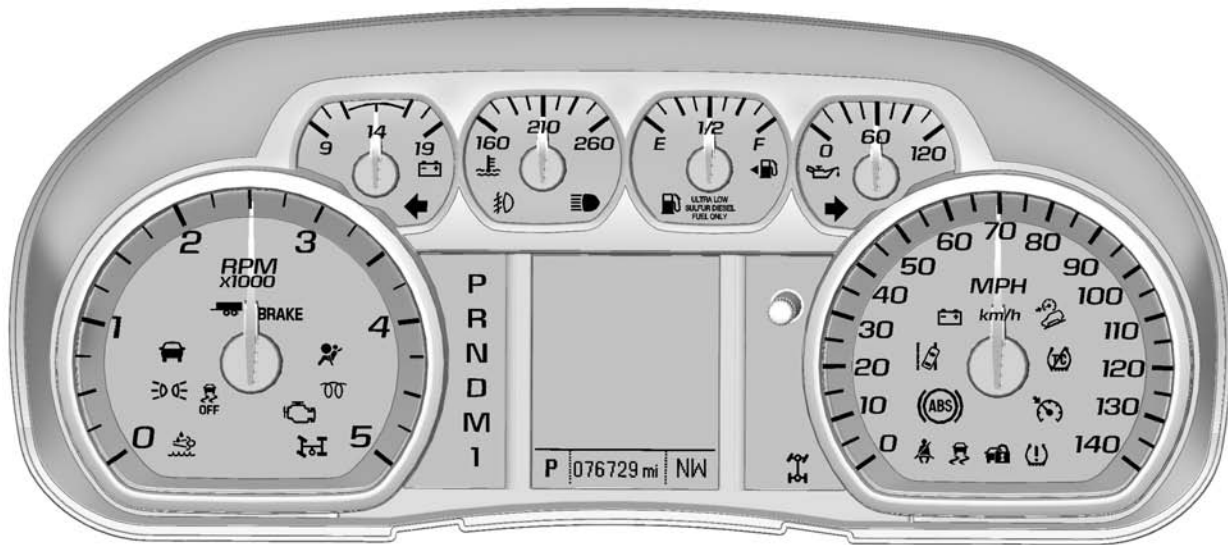
- Vehicle Messages ..... 5-12
- Engine Cooling System
  - Messages ..... 5-12
- Engine Oil Messages ..... 5-13
- Engine Power Messages .... 5-13
- Fuel System Messages ..... 5-13
- Diesel Exhaust Fluid
  - Messages ..... 5-13
- Diesel Particulate Filter
  - Messages ..... 5-14
- Service Vehicle Messages ... 5-14
- Starting the Vehicle
  - Messages ..... 5-14
- Vehicle Speed Messages .... 5-15

## Vehicle Personalization

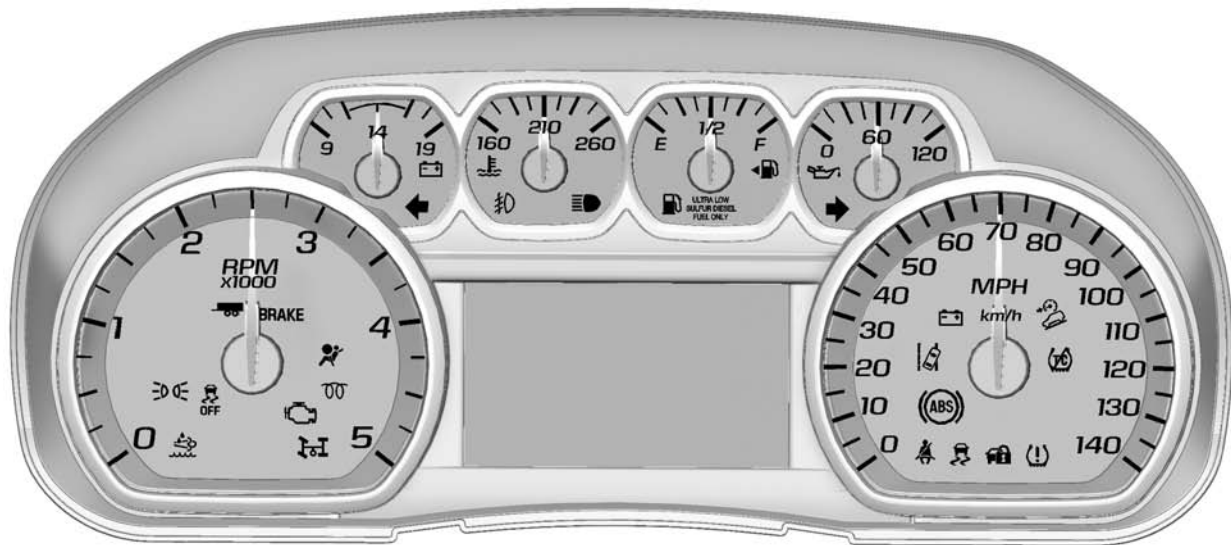
- Vehicle Personalization (Truck
  - Models) ..... 5-16
- Vehicle Personalization (Van
  - Models) ..... 5-18

## Warning Lights, Gauges, and Indicators

### Instrument Cluster



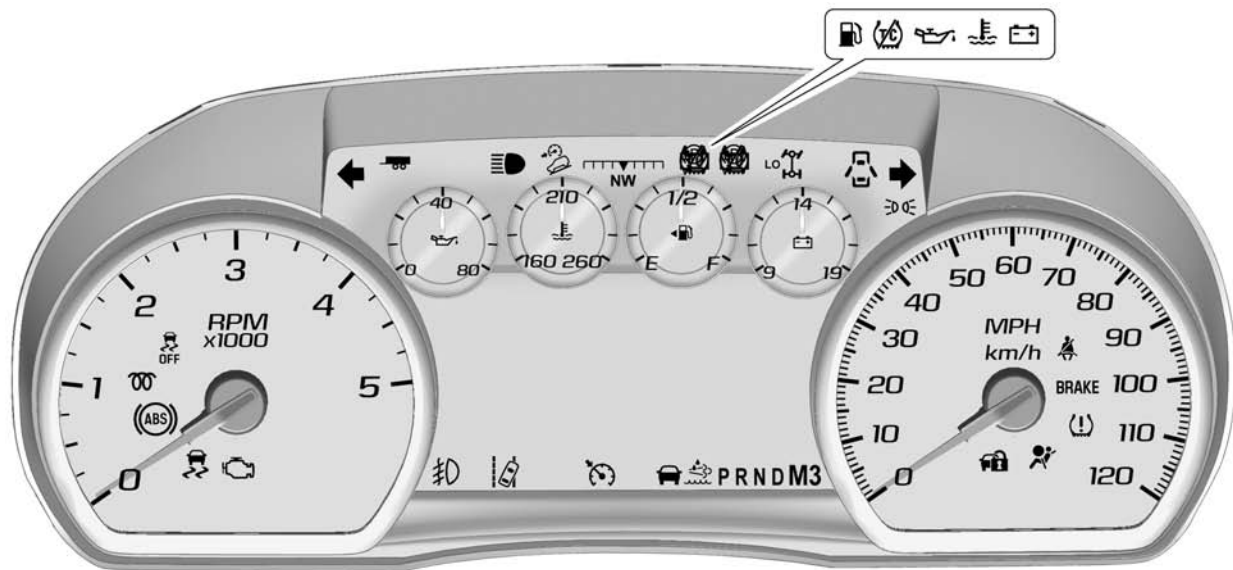
English Base Level Pickup Shown, Metric Similar



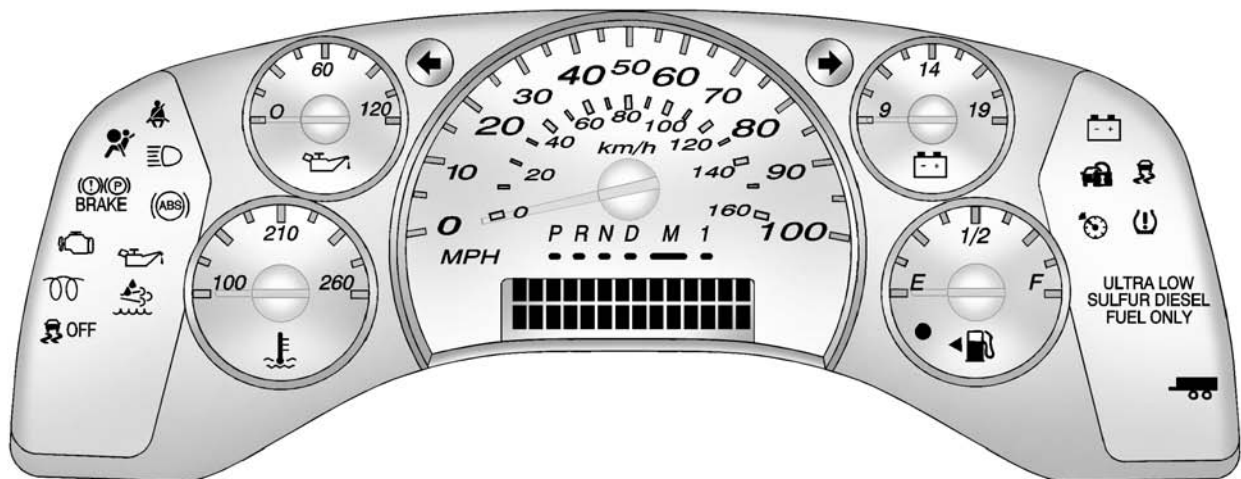
English Uplevel Pickup Shown, Metric Similar

## 5-4 Instruments and Controls

---



English Denali Pickup Shown, Metric Similar



English Van Shown, Metric Similar

## 5-6 Instruments and Controls

---

See the owner manual for warning lights and gauges not listed in this supplement.

### Fuel Gauge



Metric Pickup Models



English Pickup Models



Metric Van Models



English Van Models

When the ignition is on, the fuel gauge shows approximately how much fuel the vehicle has left in the tank. The gauge will first indicate E (Empty) before the vehicle is out of fuel, but the vehicle's fuel tank should be filled soon.

An arrow on the fuel gauge indicates the side of the vehicle the fuel door is on.

Listed are four situations customers may experience with the fuel gauge:

- At the gas station, the fuel pump shuts off before the gauge reads F (Full).
- It takes a little more or less fuel to fill up than the fuel gauge indicated. For example, the gauge may have indicated the tank was half full, but it actually took a little more or less than half the tank's capacity to fill the tank.
- The gauge moves a little while turning a corner or speeding up.
- The gauge does not go back to E (Empty) when the ignition is turned off.

None of these indicate a problem with the fuel gauge.

For information on how to fill the fuel tank, see *Filling the Tank* on page 9-36.

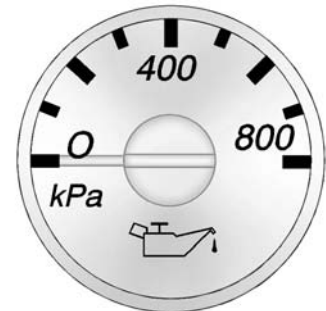
### Engine Oil Pressure Gauge



Metric Pickup Models

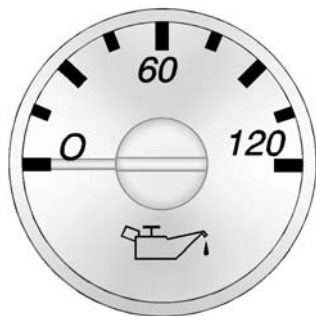


English Pickup Models



Metric Van Models





English Van Models

### **Caution**

Lack of proper engine oil maintenance can damage the engine. Driving with the engine oil low can also damage the engine. The repairs would not be covered by the vehicle warranty. Check the oil level as soon as possible. Add oil if required, but if the oil level is within the operating range and the oil pressure is still

(Continued)

### **Caution (Continued)**

low, have the vehicle serviced. Always follow the maintenance schedule for changing engine oil.

The engine oil pressure gauge reads in kPa (kilopascals) or psi (pounds per square inch) when the engine is running. Oil pressure may vary with engine speed, outside temperature, and oil viscosity.

If readings are outside the normal operating range, the low oil pressure message may display on the Driver Information Center (DIC), or for vehicles without DIC the oil pressure light will come on. If the oil pressure message or light comes on, check the oil level immediately. Do not operate the engine with the oil pressure warning light on or an ENGINE OIL LOW ADD OIL message displayed.

## **Malfunction Indicator Lamp**

A computer system called OBD II (On-Board Diagnostics-Second Generation) monitors the operation of the vehicle to ensure emissions are at acceptable levels, helping to maintain a clean environment. The malfunction indicator lamp comes on when the vehicle is placed in ON/RUN as a check to show it is working. If it does not, have the vehicle serviced by your dealer. See “Ignition Positions” in the owner manual.



If the malfunction indicator lamp comes on while the engine is running, this indicates that there is an OBD II problem and diagnosis and service might be required.

This light may also come on when the Diesel Exhaust Fluid (DEF) management system is not working. See *Diesel Exhaust Fluid* on page 9-13.

Malfunctions often are indicated by the system before any problem is apparent. Being aware of the light can prevent more serious damage to the vehicle. This system also assists the service technician in correctly diagnosing any malfunction.

 **Caution**

If the vehicle is continually driven with this light on, the emission controls might not work as well, the vehicle fuel economy might not be as good, and the engine might not run as smoothly. This could lead to costly repairs that might not be covered by the vehicle warranty.

 **Caution**

Modifications made to the engine, transmission, exhaust, intake, or fuel system of the vehicle or the replacement of the original tires with other than those of the same Tire Performance Criteria (TPC) can affect the vehicle's emission controls and can cause this light to come on.

Modifications to these systems could lead to costly repairs not covered by the vehicle warranty. This could also result in a failure to pass a required Emission Inspection/Maintenance test. See *Accessories and Modifications* on page 10-1.

When the light is on, an emission control system malfunction has been detected on the vehicle. Diagnosis and service might be required.

An emission system malfunction might be corrected by using good quality fuel. Poor fuel quality causes the engine not to run as efficiently as designed and may cause: stalling after start-up, stalling when the vehicle is changed into gear, misfiring, hesitation on acceleration, or stumbling on acceleration. These conditions might go away once the engine is warmed up. See *Fuel for Diesel Engines* on page 9-21.

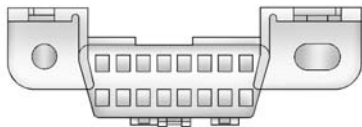
If this does not make the light turn off, your dealer can check the vehicle. The dealer has the proper test equipment and diagnostic tools to fix any mechanical or electrical problems that might have developed.

### **Emissions Inspection and Maintenance Programs**

Depending on where you live, your vehicle may be required to participate in an emission control system inspection and maintenance program. For the inspection, the

## 5-10 Instruments and Controls

emission system test equipment will likely connect to the vehicle's Data Link Connector (DLC).



The DLC is under the instrument panel to the left of the steering wheel. See your dealer if assistance is needed.

The vehicle may not pass inspection if:

- The malfunction indicator lamp is on with the engine running, or if the light does not come on when the ignition is turned to ON/RUN while the engine is off. See your dealer for assistance in verifying proper operation of the malfunction indicator lamp.
- The OBD II (On-Board Diagnostics) system determines that critical emission control systems have not been completely diagnosed. The vehicle would be considered not ready for inspection. This can happen if the 12-volt battery has recently been replaced or run down. The diagnostic system is designed to evaluate critical emission control systems during normal driving. This can take several days of routine driving. If this has been done and the vehicle still does not pass the inspection for lack of OBD II system readiness, your dealer can prepare the vehicle for inspection.

### Wait-to-Start Light



If the wait-to-start light comes on, the glow plug system is required and operating. Wait until the light turns off before starting the engine. This light may not come on in warm temperatures.

The fast warm-up glow plug system makes the wait-to-start light stay on for a shorter amount of time than most diesel engines.

See *Starting the Diesel Engine* on page 9-1.

## Diesel Exhaust Fluid (DEF) Warning Light



This light, a Driver Information Center (DIC) message, and a chime come on when there is an issue with the Diesel Exhaust Fluid.

See *Diesel Exhaust Fluid Messages on page 5-13* for information on the specific message displaying with the light.

If the DEF fluid level has not been corrected, the light will continue to flash when the vehicle is started. The vehicle's speed may also be limited.

Also see *Diesel Exhaust Fluid on page 9-13*.

## Power Take-Off Light



### Non-Denali Pickups

The vehicle may have a Power Take-Off (PTO) light. Under normal operating conditions, the PTO light will remain on throughout the PTO operating cycle. If all conditions required to engage PTO have not been met when enabling PTO, the PTO light will turn on, then turn off after one second. See *Power Take-Off (PTO) on page 9-43*.

## Information Displays

### Driver Information Center (DIC)

The DIC is in the instrument cluster. The DIC comes on when the ignition is on.

A Duramax diesel vehicle may have the following additional DIC menu items.

### EXHAUST FLUID LEVEL

The EXHAUST FLUID LEVEL will be displayed as either OK, XX%, or LOW.

When LOW appears on the display, add diesel exhaust fluid as soon as possible. See *Diesel Exhaust Fluid on page 9-13*.

### **FUEL FILTER LIFE REMAINING**

This display shows an estimate of the fuel filter's remaining useful life. If you see 90% FUEL FILTER LIFE REMAINING on the display, it means 90% of the current fuel filter life remains. The fuel filter life system will alert you to change the fuel filter on a schedule consistent with your driving conditions.

When the remaining fuel filter life is low, the CHANGE FUEL FILTER message will appear on the display. Change the fuel filter as soon as possible.

### **FUEL FILTER LIFE RESET**

You must reset the FUEL FILTER LIFE REMAINING display after each fuel filter change. It will not reset itself. Also, be careful not to reset the FUEL FILTER LIFE REMAINING display at any time other than when the fuel filter has just been changed because it cannot be reset accurately until the next fuel filter change. The fuel filter life will change to 100% when the system has been reset. To reset the system, press and hold the set/reset button, or the trip odometer reset stem if there are no DIC buttons, for two seconds while FUEL FILTER LIFE REMAINING is displayed on the DIC.

## **Vehicle Messages**

The Driver Information Center (DIC) will display warning messages if a problem is detected. Pressing the select button or the set/reset button for vehicles with DIC buttons, or the trip odometer reset stem for vehicles without DIC buttons, will acknowledge some current warning or service messages. Other messages are more urgent and cannot be cleared from the display until the issue is corrected.

The following are some additional messages that the Duramax diesel vehicle can display.

### **Engine Cooling System Messages**

#### **COOLANT LEVEL LOW ADD COOLANT**

This message will appear on the DIC if the engine coolant level is low. Adding coolant to the coolant recovery tank will clear the

message. For pickups only, remember to check the coolant in both sides of the reservoir. See “Engine Coolant” in the owner manual.

## Engine Oil Messages

### ENGINE OIL LOW ADD OIL

This message only displays when the ignition key is turned to ON/RUN and the oil level in the vehicle is low. Check the oil level and correct it as necessary. You may need to let the vehicle cool or warm up and cycle the ignition to be sure this message clears.

This message clears itself after 10 seconds, until the next ignition cycle. See *Engine Oil* on page 10-6.

## Engine Power Messages

### ENGINE POWER IS REDUCED

A computer monitors the operation of the engine. If the ENGINE POWER IS REDUCED message comes on while driving, there will be

a reduction in performance and acceleration. You should take the vehicle in for service.

## Fuel System Messages

### CHANGE FUEL FILTER

This message will appear on the DIC for 10 seconds when a fuel filter change is required. See *Fuel Filter Replacement* on page 9-33.

### WATER IN FUEL SERVICE REQUIRED

This message will come on to warn you if there is water in the diesel fuel system. For more information on how this message works, see *Water in Fuel* on page 9-28.

## Diesel Exhaust Fluid Messages

For more information on these messages, see “Exhaust Fluid Low” or “Exhaust Fluid Quality Poor” in *Diesel Exhaust Fluid* on page 9-13.

### EXHAUST FLUID RANGE: XXXX KM (MI)

When the exhaust fluid is getting low, the range will be displayed in either kilometers or miles. It is normal for the EXHAUST FLUID RANGE to vary based on vehicle and environmental driving conditions. When this message first displays at approximately 1 600 km (1,000 mi) of fluid range remaining, the fluid is approximately 11 L (3 gal) low.

### EXHAUST FLUID LOW SPEED LIMITED SOON

When the exhaust fluid range is less than 120 km (75 mi) this message will be displayed.

### EXHAUST FLUID EMPTY REFILL NOW

This message will be displayed when the exhaust fluid is empty. This message may be accompanied by other messages that provide more information.

### **EXHAUST FLUID QUALITY POOR SEE OWNERS MANUAL NOW**

This message displays when the exhaust fluid is of poor quality or the wrong fluid was added. This message may be accompanied by other messages that provide more information.

### **Diesel Particulate Filter Messages**

#### **CLEANING EXHAUST FILTER CONTINUE DRIVING (Uplevel Cluster) or DIESEL PARTIC FILTER IS FULL CONTINUE DRIVING (Base Level Cluster)**

This message will appear on the DIC when an exhaust particulate filter cleaning is required. To clean the filter, drive the vehicle above 50 km/h (30 mph) until the warning message goes off. This will take about 30 minutes.

If the filter is not cleaned, the malfunction indicator lamp will come on and the ENGINE POWER IS REDUCED message will be displayed. Vehicle performance will be limited. See *Diesel Particulate Filter* on page 9-11.

### **Service Vehicle Messages**

#### **SERVICE EXHAUST FLUID SYSTEM SEE OWNERS MANUAL NOW**

This message displays when the exhaust fluid system needs service. This message may be accompanied by other messages that provide more information. See “Service Exhaust Fluid System” in *Diesel Exhaust Fluid* on page 9-13.

#### **SERVICE EMISSION SYSTEM SEE OWNERS MANUAL NOW**

This message displays when the emission system needs service. Take the vehicle to your dealer. See “Service Emission System” in *Diesel Exhaust Fluid* on page 9-13.

### **Starting the Vehicle Messages**

#### **ELEVATED IDLE OFF**

This message will appear when the elevated idle/exhaust restrictor feature has been turned off. See “Elevated Idle” under *Starting the Diesel Engine* on page 9-1.

#### **ELEVATED IDLE ON**

This message will appear when the elevated idle/exhaust restrictor feature has been turned on. See “Elevated Idle” under *Starting the Diesel Engine* on page 9-1.

#### **FAST IDLE ON (Van Models)**

If your vehicle has this feature, this message displays when the fast idle feature is on. See “Fast Idle Control” under *Starting the Diesel Engine* on page 9-1.

## Vehicle Speed Messages

For more information on these messages, see *Diesel Exhaust Fluid* on page 9-13.

### **XXX KM (MI) UNTIL 105 KM/H (65 MPH) MAX SPEED**

This message will be displayed along with other messages. These messages include EXHAUST FLUID EMPTY REFILL NOW, EXHAUST FLUID QUALITY POOR, SERVICE EMISSION SYSTEM, or SERVICE EXHAUST FLUID SYSTEM. The vehicle speed will be limited to 105 km/h (65 mph) when the countdown is over.

### **XXX KM (MI) UNTIL 88 KM/H (55 MPH) MAX SPEED**

This message will be displayed along with other messages. These messages include EXHAUST FLUID EMPTY REFILL NOW, EXHAUST FLUID QUALITY POOR, SERVICE EMISSION SYSTEM, or SERVICE EXHAUST FLUID SYSTEM. The

vehicle speed will be limited to 88 km/h (55 mph) when the countdown is over.

### **XXX KM (MI) UNTIL 7 KM/H (4 MPH) MAX SPEED**

This message will be displayed along with other messages. These messages include EXHAUST FLUID EMPTY REFILL NOW, EXHAUST FLUID QUALITY POOR, or SERVICE EXHAUST FLUID SYSTEM. The vehicle speed will be limited to 7 km/h (4 mph) when the countdown is over.

### **SPEED LIMITED TO 105 KM/H (65 MPH)**

This message will be displayed along with other messages. These messages include EXHAUST FLUID EMPTY REFILL NOW, EXHAUST FLUID QUALITY POOR, SERVICE EMISSION SYSTEM, or SERVICE EXHAUST FLUID SYSTEM. When this message is displayed, the vehicle speed is being limited to 105 km/h (65 mph).

### **SPEED LIMITED TO 88 KM/H (55 MPH)**

This message will be displayed along with other messages. These messages include EXHAUST FLUID EMPTY REFILL NOW, EXHAUST FLUID QUALITY POOR, SERVICE EMISSION SYSTEM, or SERVICE EXHAUST FLUID SYSTEM. When this message is displayed, the vehicle speed is being limited to 88 km/h (55 mph).

### **SPEED LIMITED TO 7 KM/H (4 MPH)**

This message will be displayed along with other messages. These messages include EXHAUST FLUID EMPTY REFILL NOW, EXHAUST FLUID QUALITY POOR, or SERVICE EXHAUST FLUID SYSTEM. When this message is displayed, the vehicle speed is being limited to 7 km/h (4 mph).



### **TRANSITIONING TO XX KM/H (XX MPH) MAX SPEED**

This message will be displayed along with other messages. These messages include EXHAUST FLUID EMPTY REFILL NOW, EXHAUST FLUID QUALITY POOR, SERVICE EMISSION SYSTEM, or SERVICE EXHAUST FLUID SYSTEM. When this message is displayed, the end of the countdown has been reached and the vehicle speed is being limited.

## **Vehicle Personalization**

### **Vehicle Personalization (Truck Models)**

Use the audio system controls to access the personalization menus for customizing vehicle features.

The following features may be available on some vehicles with a diesel engine. See “Vehicle Personalization” in the owner manual for additional vehicle personalizations.

#### **System Controls**

1. Turn the ignition to ON/RUN without the engine running and place the vehicle in P (Park).  
To avoid excessive drain on the battery, turn the headlamps off.
2. Press the MENU knob on the radio.

3. Turn the MENU knob to scroll to SETTINGS, then press the MENU knob.
4. Turn the MENU knob to scroll to Vehicle, then press the MENU knob.
5. Turn the MENU knob to scroll to the desired menu, then press the MENU knob.

#### **Vehicle**

Select and the following may display:

- Climate and Air Quality
- Power Take-Off (PTO)

#### **Climate and Air Quality**

Select and the following may display:

- Elevated Idle (If Equipped)

#### **Elevated Idle (If Equipped)**

This allows the feature to be turned on and off. See “Elevated Idle” in *Starting the Diesel Engine on page 9-1*.

Select Off, or On.

### **Power Take-Off (PTO)**

There may be additional features that can be customized for the Power Take-Off (PTO). See *Power Take-Off (PTO)* on page 9-43. See your dealer to enable these features.

#### **Feature Settings Menu Items**

Press the MENU knob to select the desired setting.

- Standby Speed
- Set 1 Speed
- Set 2 Speed
- Tap Step Speed
- Shutdown Time

Turn the MENU knob to scroll to one of the following menu selections:

#### **PTO STANDBY SPEED**

This feature allows for modifying the PTO Standby Speed.

Turn the MENU knob to the desired setting. Press the MENU knob to select the desired setting.

#### **PTO SET 1 SPEED**

This feature is available if the vehicle is configured for Stationary Preset PTO, and allows the selection of the PTO 1 set speed.

Turn the MENU knob to the desired PTO Standby Set 1 setting. Press the MENU knob to select the desired setting.

#### **PTO SET 2 SPEED**

This feature is available if the vehicle is configured for Stationary Preset PTO, and allows the selection of the PTO 2 set speed.

Turn the MENU knob to the desired PTO Standby Set 2 setting. Press the MENU knob to select the desired setting.

#### **PTO TAP STEP SPEED**

This feature is available if the vehicle is configured for Stationary Variable or Mobile PTO, and allows the selection of the PTO tap step speed.

Turn the MENU knob to the desired PTO Tap Step Speed setting. Press the MENU knob to select the desired setting.

#### **PTO SHUTDOWN TIME**

This feature is available if the vehicle is configured for Stationary Preset or Stationary Variable PTO, and allows the selection of the PTO shutdown time.

Turn the MENU knob to the desired PTO Shutdown Time setting. Press the MENU knob to select the desired setting.

### Vehicle Personalization (Van Models)

Your Duramax diesel vehicle may have additional customizable features for Power Take-Off (PTO). See *Power Take-Off (PTO)* on page 9-43. These features may need to be enabled by your dealer.

#### Entering the Feature Settings Menu

1. Turn the ignition to ON/RUN without the engine running and place the vehicle in P (Park).  
To avoid excessive drain on the battery, it is recommended that the headlamps are turned off.
2. Press the customization DIC button on the instrument panel to scroll through the available customizable options.

#### Feature Settings Menu Items

##### PTO STANDBY SPEED

This feature allows you to select the PTO standby speed.

Press the customization button until the PTO STANDBY SPEED screen appears on the DIC display. Press the set/reset button once to access the settings for this feature. Then press the customization button to scroll through the following choices:

- 800 RPM
- 900 RPM
- 1000 RPM
- 1100 RPM
- 1200 RPM
- 1300 RPM
- 1400 RPM
- 1500 RPM
- NO CHANGE

To select a setting, press the set/reset button while the desired setting is displayed on the DIC.

##### PTO SET 1 SPEED

This feature, available if the vehicle is configured for Stationary Preset PTO, allows you to select the PTO 1 set speed.

Press the customization button until the PTO SET 1 SPEED screen appears on the DIC display. Press the set/reset button once to access the settings for this feature. Then press the customization button to scroll through the following choices:

- 1000 RPM
- 1200 RPM
- 1400 RPM
- 1600 RPM
- 1800 RPM
- 2000 RPM
- 2200 RPM
- 2400 RPM
- NO CHANGE

To select a setting, press the set/reset button while the desired setting is displayed on the DIC.

**PTO SET 2 SPEED**

This feature, available if the vehicle is configured for Stationary Preset PTO, allows you to select the PTO 2 set speed.

Press the customization button until the PTO SET 2 SPEED screen appears on the DIC display. Press the set/reset button once to access the settings for this feature. Then press the customization button to scroll through the following choices:

- 1800 RPM
- 2000 RPM
- 2200 RPM
- 2400 RPM
- 2600 RPM
- 2800 RPM
- 3000 RPM

- 3200 RPM
- NO CHANGE

To select a setting, press the set/reset button while the desired setting is displayed on the DIC.

**PTO TAP STEP**

This feature, available if the vehicle is configured for Stationary Variable or Mobile PTO, allows you to select the PTO tap step.

Press the customization button until the PTO TAP STEP screen appears on the DIC display. Press the set/reset button once to access the settings for this feature. Then press the customization button to scroll through the following choices:

- 25 RPM
- 75 RPM
- 100 RPM
- 150 RPM
- 200 RPM

- 250 RPM
- 350 RPM
- NO CHANGE

To select a setting, press the set/reset button while the desired setting is displayed on the DIC.

**PTO SHUTDOWN TIME**

This feature, available if the vehicle is configured for Stationary Preset or Stationary Variable PTO, allows you to select the PTO shutdown time.

Press the customization button until the PTO SHUTDOWN TIME screen appears on the DIC display. Press the set/reset button once to access the settings for this feature. Then press the customization button to scroll through the following choices:

- OFF
- 20 MINUTES
- 35 MINUTES
- 50 MINUTES

## 5-20 Instruments and Controls

---

- 65 MINUTES
- 80 MINUTES
- 95 MINUTES
- 110 MINUTES
- NO CHANGE

To select a setting, press the set/  
reset button while the desired  
setting is displayed on the DIC.

## Driving and Operating

### Starting and Operating

Starting the Diesel Engine . . . .	9-1
Winter Cover . . . . .	9-5
Engine Heater . . . . .	9-9
Fuel Operated Heater (FOH) . . . . .	9-10
Parking over Things That Burn . . . . .	9-11

### Diesel Particulate Filter

Diesel Particulate Filter . . . . .	9-11
-------------------------------------	------

### Diesel Exhaust Fluid

Diesel Exhaust Fluid . . . . .	9-13
--------------------------------	------

### Brakes

Exhaust Brake . . . . .	9-20
-------------------------	------

### Fuel

Fuel for Diesel Engines . . . . .	9-21
What Fuel to Use in The U.S. . . . .	9-21
What Fuel to Use in Canada and Mexico . . . . .	9-26
Cold Weather Operation . . . . .	9-27
Water in Fuel . . . . .	9-28
Running Out of Fuel . . . . .	9-32
Fuel Filter Replacement . . . . .	9-33
Filling the Tank . . . . .	9-36
Filling a Portable Fuel Container . . . . .	9-37

### Towing

Trailer Towing . . . . .	9-38
--------------------------	------

### Conversions and Add-Ons

Power Take-Off (PTO) . . . . .	9-43
--------------------------------	------

## Starting and Operating

### Starting the Diesel Engine

The diesel engine starts differently than a gasoline engine.

 **Caution**

If the steering wheel is turned until it reaches the end of its travel, and is held in that position while starting the vehicle, damage may occur to the hydraulic power steering system and there may be loss of power steering assist.

Move the shift lever to P (Park) or N (Neutral). To restart the engine when the vehicle is already moving, use N (Neutral) only.

### Caution

Do not try to shift to P (Park) if the vehicle is moving. If you do, you could damage the transmission. Shift to P (Park) only when the vehicle is stopped.

### Starting the Engine

1. Turn the ignition key to ON/RUN.

Observe the WAIT-TO-START light. See *Wait-to-Start Light on page 5-10*. This light may not come on if the engine is warm.

2. If the WAIT-TO-START light is illuminated, wait until this light goes off to. Then turn the ignition key to START. When the engine starts, let go of the key.

The engine has a fast warm-up glow plug system. The wait-to-start light will illuminate for a much shorter time than

most diesel engines, due to the rapid heating of the glow plug system.

### Caution

If the wait-to-start light stays on after starting the vehicle, the vehicle may not run properly. Have the vehicle serviced right away.

3. If the engine does not start after 15 seconds of cranking, turn the ignition switch to LOCK/OFF. Wait one minute for the cranking motor to cool, then try the same steps again.

If you are trying to start the engine after you have run out of fuel, follow the steps in *Running Out of Fuel on page 9-32*.

When the engine is cold, let it run for a few minutes before driving. This lets oil pressure build up. The engine will sound louder when it is cold.

### Cold Weather Starting (Diesel Engine)

Use the recommended engine oil when the outside temperature drops below freezing. See *Engine Oil on page 10-6*. When the outside temperature drops below  $-18^{\circ}\text{C}$  ( $0^{\circ}\text{F}$ ), use of the engine coolant heater is recommended.

If you experience longer cranking times, notice an unusual amount of exhaust smoke, or are at higher elevations (over 2 135 m or 7,000 ft), you may use the engine coolant heater. See *Engine Heater on page 9-9*.

See *Fuel for Diesel Engines on page 9-21* for information on what fuel to use in cold weather.

### If the Diesel Engine Will Not Start

If you have run out of fuel, see *Running Out of Fuel on page 9-32*.

If the vehicle is not out of fuel, and the engine will not start:

Turn the ignition key to ON/RUN. After the WAIT-TO-START light goes off, turn the ignition key to START.

If the light does not go off, wait a few seconds, then try starting the engine again. See your dealer as soon as you can for a starting system check.

If the light comes on and then goes off and you know the batteries are charged, but the engine still will not start, the vehicle needs service.

If the light does not come on when the engine is cold, the vehicle needs service.

If the batteries do not have enough charge to start the engine, see "Battery" in the owner manual.

Check that the correct engine oil has been used and changed at appropriate intervals. If the wrong oil is used, the engine may be harder to start.

Be sure you are using the proper fuel for existing weather conditions. See *Fuel for Diesel Engines on page 9-21*.

If the engine starts, runs a short time, then stops, the vehicle needs service.

#### Warning

Do not use gasoline or starting aids, such as ether, in the air intake. They could damage the engine, which may not be covered by the vehicle warranty. They could also cause a fire, which could cause serious personal injury.

### Engine Idle Variations

Under certain conditions the engine idle speed can vary or be elevated. Change in idle speed is normal and does not indicate a problem. Normal conditions that can raise idle speed are low voltage, DPF regeneration, air conditioning compressor loads, and engine warmup. These speeds can range from approximately 600 to 1000 rpm.

#### Elevated Idle

The engine has a cold temperature high idle feature which elevates the engine idle speed from base idle to 1050 rpm for pickup models or 1200 rpm for van models when outside temperatures are below 0°C (32°F), and the engine coolant temperature is below 65°C (150°F). This feature enhances heater performance by raising the engine coolant temperature faster. For truck models, there may be two methods of activating the elevated idle.



## 9-4 Driving and Operating

---

To turn this feature on or off:

1. Turn the ignition to ON/RUN, with the vehicle off.
2. Press the accelerator pedal to the floor and hold while quickly pressing the brake pedal three times in less than eight seconds.
3. Release the accelerator pedal and start the engine.

If this method is not available, see the alternate method under Truck Models in *Vehicle Personalization (Truck Models)* on page 5-16 or *Vehicle Personalization (Van Models)* on page 5-18.

On van models, this feature can also be turned on and off using the DIC buttons.

When the engine is started, it will slowly ramp up to the high idle speed after a delay of a few seconds up to approximately two minutes. For this method to work properly there must be no throttle or brake pedal faults.

The engine idle speed will return to normal once the following conditions are met:

- Engine coolant temperature reaches 65°C (150°F).
- Air intake temperature reaches 0°C (32°F).

The high idle speed will be temporarily interrupted and the engine speed will return to normal if any of the following conditions occur:

- The brake pedal is applied.
- The accelerator pedal is pressed.
- The transmission is shifted out of P (Park) or N (Neutral).
- Vehicle speed is detected.

Once these inputs are removed, the engine idle speed will slowly ramp back up to high idle after the normal delay, if the conditions for engine coolant temperature and air intake temperature are still met.

### Fast Idle Control

The vehicle may have this system which can be used to increase the engine idle speed.

Fast Idle control will be enabled when the following conditions are met:

- The parking brake is set.
- The transmission is in P (Park) or N (Neutral).
- The vehicle speed is about 0 km/h (0 mph).
- The cruise control Set switch is pressed and released for Preset Fast Idle Speed (1200 rpm).

Fast Idle control will be disabled when one or more of the following conditions occur:

- The cruise control Set switch is pressed and released. See "Cruise Control" in the owner manual.
- The cruise control Cancel switch is pressed.

- The brake pedal is pressed.
- The transmission is shifted out of P (Park) or N (Neutral).
- The parking brake is released.
- The vehicle speed is not 0 km/h (0 mph).

On vans, when fast idle is active, a FAST IDLE ON message will be displayed in the DIC. See *Starting the Vehicle Messages on page 5-14*.

## Winter Cover

If equipped, the winter cover can be used to enhance heater performance in extremely cold conditions below  $-18^{\circ}\text{C}$  ( $0^{\circ}\text{F}$ ). The winter cover installs over the grille and restricts airflow to the engine compartment.

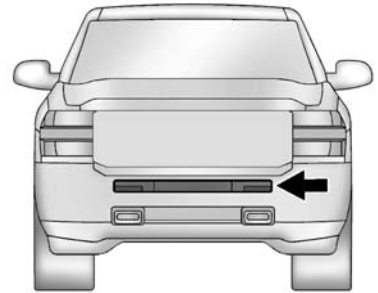
For vehicles that did not come with a winter cover, a GM winter cover can be purchased. See your dealer for additional information.

When the winter cover is in use, the Heater, Ventilation, and Air Conditioning AUTO mode may not function properly. Use the manual settings for comfort.

### Usage Guidelines

The winter cover should only be used while operating the vehicle in extremely cold temperatures or in heavy snow for extended periods. In these temperatures, the vehicle does not need a large amount of air to properly cool the engine. When more airflow is required to cool the vehicle, the winter cover should not be used. The following usage guidelines will allow adequate airflow for proper radiator and air cooler performance:

- Do not use the winter cover if towing a trailer. The vehicle may overheat if the radiator is covered while towing.
- Do not use the winter cover if a snow plow is mounted on the truck.



- Do not cover the opening in the front bumper.
- Do not modify the cover. The winter cover does not cover some sections of the front of the vehicle to provide enough airflow.
- When the winter cover is used, the outside air temperature display may not function properly.

## 9-6 Driving and Operating

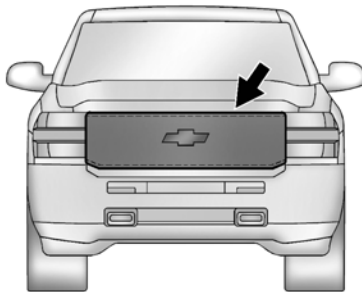
---

- Keep the underside of the winter cover as clean as possible. Remove monthly or as necessary and clean away dust and debris.
- Use only a mild soap to clean. Do not use harsh soap, strong detergents, or vinyl protectant/sealant type products as they may damage the special finish. Allow the winter cover to dry completely before reinstalling.

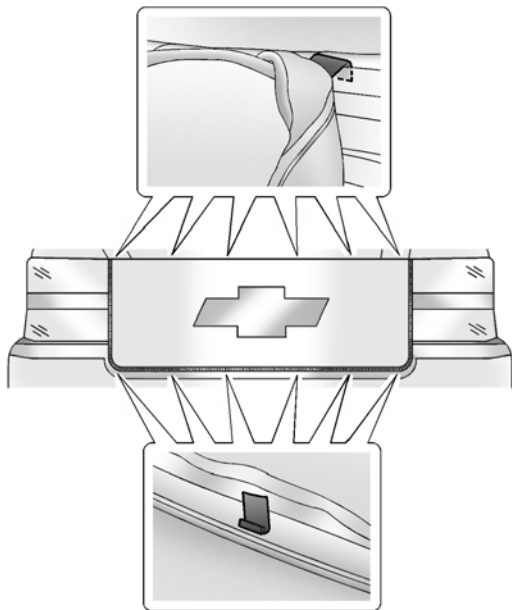
### Installation Instructions

When first trying to fit the cover, it may appear to be undersized but will stretch during installation to ensure a tight fit. The initial installation of the cover is best performed when the winter cover is warm.

### Installation (Chevrolet Pickup)



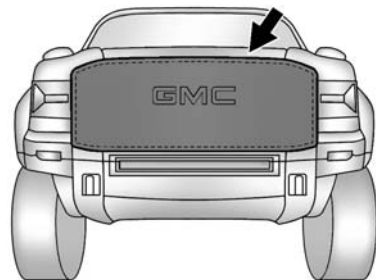
1. The white label must be at the top and back of the cover.



2. Starting in the middle, attach fastening points as illustrated.

3. To remove, reverse the steps listed previously.

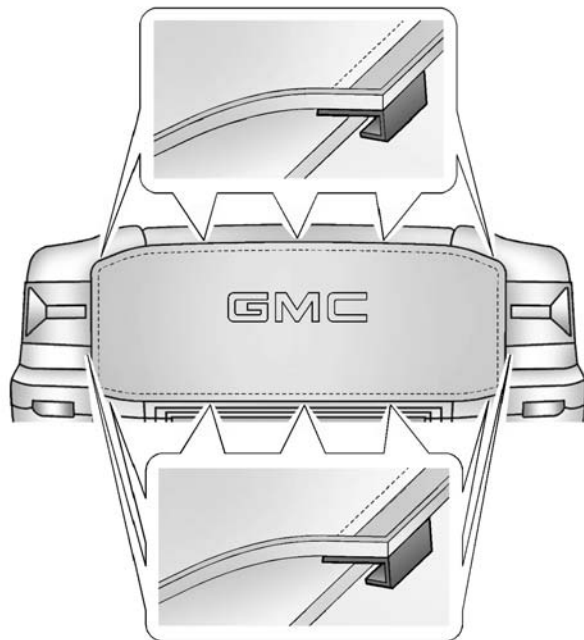
### Installation (GMC Pickup)



1. The white label must be at the top and back of the cover.

## 9-8 Driving and Operating

---

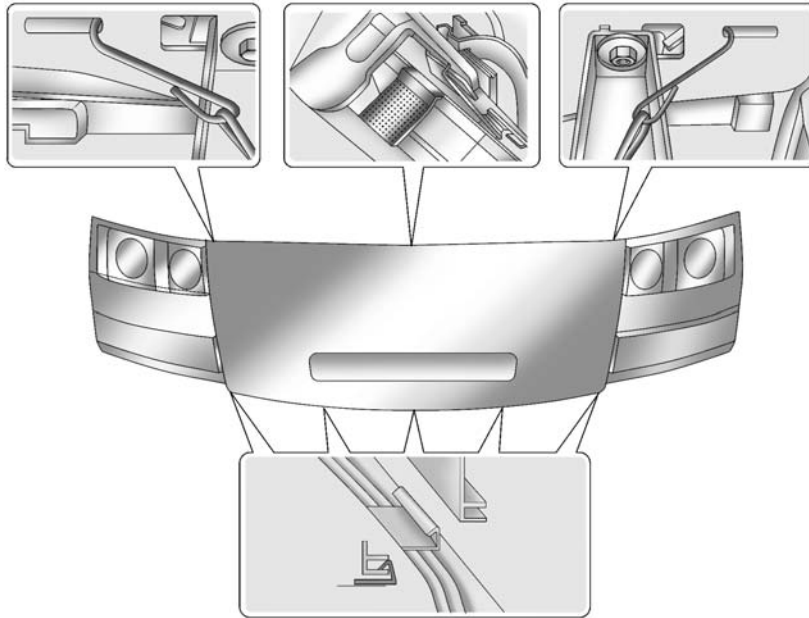


2. Starting in the middle, attach fastening points as illustrated.

3. To remove, reverse the steps listed previously.

### Installation (Van Models)

1. Open the hood and secure it with the prop rod.



2. Hook the five J-clips to the bottom edge of the grille.

3. Hook the top center J-clip by the hood latch.

4. Attach the metal hooks, one each at the top corners.
5. To remove the winter cover, reverse the steps listed previously.

### Engine Heater

The engine coolant heater can provide easier starting and better fuel economy during engine warm-up in cold weather conditions at or below  $-18^{\circ}\text{C}$  ( $0^{\circ}\text{F}$ ). The engine coolant heater should be plugged in at least four hours before starting.

#### To Use the Engine Heater

1. Turn off the engine.
2. Open the hood and unwrap the electrical cord. The cord is located in the engine compartment, on the passenger side of the vehicle, near the battery.
3. Plug it into a normal, grounded 110-volt AC outlet.

### Warning

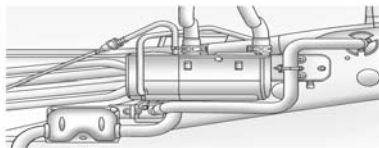
Plugging the cord into an ungrounded outlet could cause an electrical shock. Also, the wrong kind of extension cord could overheat and cause a fire. You could be seriously injured. Plug the cord into a properly grounded three-prong 110-volt AC outlet. If the cord will not reach, use a heavy-duty three-prong extension cord rated for at least 15 amps.

4. Before starting the engine, be sure to unplug and store the cord as it was before to keep it away from moving engine parts, and prevent damage.

The length of time the heater should remain plugged in depends on the outside temperature. You may wish to use the coolant heater to improve ease of starting at temperatures between  $-18^{\circ}\text{C}$  ( $0^{\circ}\text{F}$ ) and  $-29^{\circ}\text{C}$  ( $-20^{\circ}\text{F}$ ). Keep the coolant heater plugged in for a minimum of four

hours. At temperatures below  $-29^{\circ}\text{C}$  ( $-20^{\circ}\text{F}$ ), the coolant heater should remain plugged in for at least eight hours. It will not harm either the coolant heater or the vehicle to leave the coolant heater plugged in longer than the times stated. Be sure to store the cord before starting the engine. See *Fuel for Diesel Engines on page 9-21* for information on what fuel to use in cold weather.

### Fuel Operated Heater (FOH)



If the vehicle includes an FOH, it will enhance heater performance and will reduce the amount of time it

takes to warm the inside of the vehicle in cold conditions below or equal to  $4^{\circ}\text{C}$  ( $39^{\circ}\text{F}$ ). The FOH is installed on the frame rail on the driver side of the vehicle and uses diesel fuel to heat the engine coolant, which warms up the passenger cabin air.

The FOH will turn on if all of the following conditions exist:

- Outside air temperature is below or equal to  $4^{\circ}\text{C}$  ( $39^{\circ}\text{F}$ ).
- Fuel level is greater or equal to 12.5% of the total fuel tank volume.
- The engine is running.
- Coolant temperature is less than  $75^{\circ}\text{C}$  ( $167^{\circ}\text{F}$ ).

## Parking over Things That Burn

### Warning

Things that can burn could touch hot exhaust parts under the vehicle and ignite. Do not park over papers, leaves, dry grass, or other things that can burn.

## Diesel Particulate Filter

The vehicle has a Diesel Particulate Filter (DPF) as part of the exhaust system to reduce vehicle emissions. The DPF requires a unique exhaust tailpipe with an exhaust cooler. The exhaust cooler mixes air with the exhaust to lower the temperature before it leaves the tailpipe.

The DPF, the tailpipe, or other exhaust system components must not be altered. Inspect regularly and clean any mud or dirt from the exhaust cooler, especially where the exhaust cooler connects to the tailpipe and the openings where fresh air enters the cooler.

The DPF will clean itself as part of normal operation. Several factors including fuel consumed, hours of engine operation and miles driven are monitored by the Engine Control Module (ECM). The self-cleaning occurs approximately once per tank of fuel.

### Caution

Permanent damage can occur to the DPF or related components if the required Ultra Low Sulfur Diesel (15 ppm sulfur maximum) or low ash CJ-4 engine oil is not used. This damage would not be covered by the vehicle warranty.

Under certain driving conditions, such as stop-and-go traffic, the filter cannot clean itself. The **CLEANING EXHAUST FILTER KEEP DRIVING UNTIL MESSAGE IS CLEARED** message comes on when the DPF is dirty and needs to perform a self cleaning.

For the filter to clean itself, the vehicle must be driven above 50 km/h (30 mph) until the **CLEANING EXHAUST FILTER KEEP DRIVING UNTIL MESSAGE IS CLEARED** message goes off. This will take about 30 minutes.



## 9-12 Driving and Operating

### Warning

During DPF self cleaning or during extended idling in P (Park), the exhaust system and exhaust gases are very hot. Things that burn could touch hot exhaust parts under the vehicle and ignite. You or others could be burned. Do not park, or idle for an extended period of time, near or over papers, leaves, dry grass, or other things that can burn. Keep the exhaust area clear of material that could ignite or burn. See *Parking over Things That Burn* on page 9-11 for more information.

### Caution

Extended idle should be avoided because the DPF system is not capable of self cleaning at idle.

(Continued)

### Caution (Continued)

During extended idle operation, monitor the instrument panel telltale lights and Driver Information Center for messages and take appropriate indicated action. Continued idling with the warning light/message on could cause irreversible damage to the DPF requiring repair and possible replacement that might not be covered by the vehicle warranty.

You will also notice a change in the exhaust sound and engine idle speed. This is normal. See *Vehicle Messages* on page 5-12.

If you continue to drive with the DPF warning message on and the exhaust filter is not cleaned as required, the malfunction indicator lamp and the ENGINE POWER IS REDUCED message will come on and dealer service is necessary.

See *Malfunction Indicator Lamp* on page 5-8 and *Engine Power Messages* on page 5-13.

Vehicles with DPF have specific fuel and engine oil requirements. See *What Fuel to Use in The U.S.* on page 9-21 or *What Fuel to Use in Canada and Mexico* on page 9-26 and *Engine Oil* on page 10-6 for more information on those requirements.

Extended idling in P (Park) can cause exhaust parts and gases to become very hot. Keep the exhaust area clear of material that could ignite or burn. See *Parking over Things That Burn* on page 9-11.

For vehicles with Power Take-Off (PTO), monitor the instrument panel cluster for lights related to the DPF.

See *Accessories and Modifications* on page 10-1 for important information if you are considering adding accessories or modifying the vehicle.

## Diesel Exhaust Fluid

### Warning

Diesel Exhaust Fluid (DEF) is corrosive. Do not allow it to come in contact with your skin, eyes, or the finished surfaces of the vehicle. If exposed, it may cause skin and eye irritation. Wear skin and eye protection when handling. Inhalation may cause irritation to the upper respiratory tract. Store in a cool, well-ventilated area. For more safety information, see the label of the Diesel Exhaust Fluid container.

DEF is used with diesel engines to reduce the amount of regulated emissions produced. The fluid level in the DEF tank must be maintained for the vehicle to run correctly. The capacity of the DEF tank is 20.1 L (5.3 gal).

### Locating Diesel Exhaust Fluid

DEF can be purchased at a Chevrolet or GMC dealer. It can also be purchased at authorized vehicle and truck dealerships. Additionally, some diesel truck fueling stations or retailers may have DEF for purchase. For vehicles with an active OnStar subscription, OnStar can help to locate a DEF retailer. See “Customer Assistance Offices” in the owner manual for phone numbers to assist in contacting a GM dealer. See *Recommended Fluids and Lubricants* on page 11-8.

### Filling the DEF Tank

### Caution

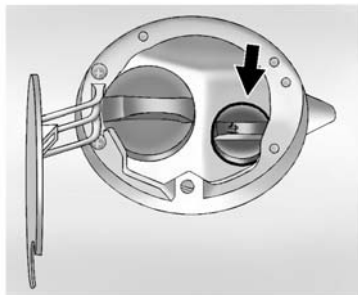
Use only exhaust fluid that is GM approved, or fluid containing the API certified or ISO 22241 label. The use of other fluids could damage the system, requiring costly repairs that will not be covered by the vehicle warranty.

When adding DEF to an empty or very low tank, always add at least 7.6 L (2 gal) of fluid to release the vehicle from speed limitation.

Do not overfill the DEF tank. When fluid reaches the top of the fill pipe, stop filling. Do not top off the DEF tank. When the EXHAUST FLUID RANGE XXXX KM (MI) message in the Driver Information Center (DIC) displays at approximately 1600 km (1,000 mi) of fluid range remaining, about 11 L (3 gal) of DEF have been used.

If you spill DEF on the vehicle while filling the tank, rinse the area with water and wipe the surface with a damp cloth.

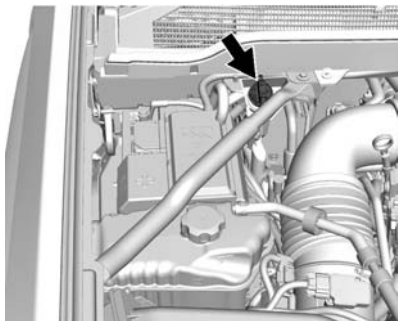
## 9-14 Driving and Operating



### DEF Fill - Vans

For vans, the DEF fill is behind the fuel fill door. The DEF cap is blue, and the diesel cap is green.

The fill tube location for chassis-cab and cutaway vans finished by an upfitter will vary. Check the upfitter manual.



### DEF Fill - Pickups

For full-size pickups, the DEF fill is under the hood, on the passenger side, at the back of the engine compartment. The DEF cap is blue.

### Exhaust Fluid Low

A full DEF tank will last for several thousand kilometers (miles), depending on vehicle usage. As the exhaust fluid level drops, warnings will automatically be displayed in the DIC. Exhaust fluid level status is available on the DIC under the vehicle Information button.

See "Exhaust Fluid Level" in *Driver Information Center (DIC)* on page 5-11.

To avoid vehicle speed limitations, the DEF tank should be refilled at the first opportunity after a low warning indication. If DEF is added before the EXHAUST FLUID EMPTY REFILL NOW message appears, it may take several km/mi for the DIC message to update.

If the vehicle speed has been limited and DEF has been added, it may take up to 30 seconds after engine start with the vehicle stopped for the EXHAUST FLUID EMPTY REFILL NOW message to clear. If the vehicle is driven prior to the DIC message clearing, the vehicle speed will still be limited. If the DIC message clears while driving, the speed limitation will be removed gradually.

If DEF is added under freezing conditions, additional time may be required to remove speed limitations and may require less fluid to fill the DEF tank.

The following actions describe strategies required by the U.S. Environmental Protection Agency (EPA) and the California Air Resource Board (CARB). The DEF messages relate to these strategies.

The DIC message EXHAUST FLUID RANGE: XXXX KM (MI) displays at approximately 1600 km (1,000 mi) of fluid range remaining. This message appears again at approximately 500 km (300 mi) of remaining range before the exhaust fluid tank becomes empty.

Below 500 km (300 mi) of range remaining, these messages will appear every time the vehicle is started.

If these warnings are ignored and the DEF tank becomes empty, the DIC message displays:

- EXHAUST FLUID EMPTY REFILL NOW - 644 KM (400 MI) UNTIL 105 KM/H (65 MPH) MAX SPEED.
- For emergency vans with RPO YF2 or emergency pickups with RPO ANM, EXHAUST FLUID EMPTY REFILL NOW - 998 KM (620 MI) UNTIL 105 KM/H (65 MPH) MAX SPEED.

The displayed mileage will decrease as driving continues. A warning light also comes on.

When the mileage countdown is zero, the DIC message EXHAUST FLUID EMPTY REFILL NOW - TRANSITIONING TO 105 KM/H (65 MPH) MAX SPEED displays. A warning light and a chime also come on. Vehicle speed will be reduced to a maximum speed limit of 105 km/h (65 mph).

After the transition to 105 km/h (65 mph) is complete, the DIC message displays:

- EXHAUST FLUID EMPTY REFILL NOW - SPEED LIMITED TO 105 KM/H (65 MPH) – 120 KM (75 MI) UNTIL 89 KM/H (55 MPH) MAX SPEED.
- For emergency vans with RPO YF2 or emergency pickups with RPO ANM, EXHAUST FLUID EMPTY REFILL NOW - SPEED LIMITED TO 105 KM/H (65 MPH) – 933 KM (580 MI) UNTIL 89 KM/H (55 MPH) MAX SPEED.

The displayed mileage will decrease as driving continues. A warning light and a chime also come on.

When the mileage countdown is zero, the DIC message EXHAUST FLUID EMPTY REFILL NOW - TRANSITIONING TO 89 KM/H (55 MPH) MAX SPEED displays.

## 9-16 Driving and Operating

A flashing warning light and a chime also come on. Vehicle speed will be reduced to a maximum speed limit of 89 km/h (55 mph).

After the transition to 89 km/h (55 mph) is complete, the DIC message EXHAUST FLUID EMPTY REFILL NOW - SPEED LIMITED TO 89 KM/H (55 MPH) – 120 KM (75 MI) UNTIL 7 KM/H (4 MPH) MAX SPEED displays. The displayed mileage will decrease as driving continues. A flashing warning light and a chime also come on.

When the mileage countdown is zero, the DIC message EXHAUST FLUID EMPTY REFILL NOW - TRANSITIONING TO 7 KM/H (4 MPH) MAX SPEED displays. A flashing warning light and a chime also come on. Vehicle speed will be reduced to a maximum speed limit of 7 km/h (4 mph).

After the transition to 7 km/h (4 mph) is complete, the DIC message EXHAUST FLUID EMPTY REFILL NOW - SPEED LIMITED TO 7 KM/H

(4 MPH) displays. A flashing warning light and a chime also come on.

Add at least 7.6 L (2 gal) of fluid to release the vehicle from speed limitation from a very low or empty tank. The capacity of the DEF tank is 20.1 L (5.3 gal).

See *Diesel Exhaust Fluid Messages on page 5-13*, *Diesel Exhaust Fluid (DEF) Warning Light on page 5-11*, and *Recommended Fluids and Lubricants on page 11-8*.

### Exhaust Fluid Quality Poor

Use only exhaust fluid that is GM approved, or fluid containing the API certified or ISO 22241 label.

All DEF has an expiration date. If the system detects poor quality, or contaminated or diluted DEF, the DIC message displays:

- EXHAUST FLUID QUALITY POOR - SEE OWNERS MANUAL NOW – 160 KM (99 MI) UNTIL 105 KM/H (65 MPH) MAX SPEED.

- For emergency vans with RPO YF2 or emergency pickups with RPO ANM, EXHAUST FLUID QUALITY POOR - SEE OWNERS MANUAL NOW – 998 KM (620 MI) UNTIL 105 KM/H (65 MPH) MAX SPEED.

The displayed mileage will decrease as driving continues. A warning light also comes on. Adding fresh DEF to the system may resolve the problem, depending on several factors. If the DIC message persists, see your dealer or additional DIC messages may display.

When the mileage countdown is zero, a DIC message EXHAUST FLUID QUALITY POOR - SEE OWNERS MANUAL NOW - TRANSITIONING TO 105 KM/H (65 MPH) MAX SPEED displays. A warning light and a chime also come on. Vehicle speed will be reduced to a maximum speed limit of 105 km/h (65 mph).

After the transition to 105 km/h (65 mph) is complete, the DIC message displays:

- EXHAUST FLUID QUALITY POOR - SEE OWNERS MANUAL NOW - SPEED LIMITED TO 105 KM/H (65 MPH) – 120 KM (75 MI) UNTIL 89 KM/H (55 MPH) MAX SPEED .
- For emergency vans with RPO YF2 or emergency pickups with RPO ANM, EXHAUST FLUID QUALITY POOR - SEE OWNERS MANUAL NOW - SPEED LIMITED TO 105 KM/H (65 MPH) – 933 KM (580 MI) UNTIL 89 KM/H (55 MPH) MAX SPEED .

The displayed mileage will decrease as driving continues. A warning light and a chime also come on.

When the mileage countdown is zero, the DIC message EXHAUST FLUID QUALITY POOR - SEE OWNERS MANUAL NOW - TRANSITIONING TO 89 KM/H

(55 MPH) MAX SPEED displays. A flashing warning light and a chime also come on. Vehicle speed will be reduced to a maximum speed limit of 89 km/h (55 mph).

After the transition to 89 km/h (55 mph) is complete, a DIC message EXHAUST FLUID QUALITY POOR - SEE OWNERS MANUAL NOW - SPEED LIMITED TO 89 KM/H (55 MPH) – 120 KM (75 MI) UNTIL 7 KM/H (4 MPH) MAX SPEED displays. The displayed mileage will decrease as driving continues. A flashing warning light and a chime also come on.

When the mileage countdown is zero, a DIC message EXHAUST FLUID QUALITY POOR - SEE OWNERS MANUAL NOW - TRANSITIONING TO 7 KM/H (4 MPH) MAX SPEED displays. A flashing warning light and a chime also come on. Vehicle speed will be reduced to a maximum speed limit of 7 km/h (4 mph).

After the transition to 7 km/h (4 mph) is complete, a DIC message EXHAUST FLUID QUALITY POOR - SEE OWNERS MANUAL NOW - SPEED LIMITED TO 7 KM/H (4 MPH) displays. A flashing warning light and a chime also come on.

### Service Exhaust Fluid System

If a problem occurs with the DEF system, the DIC message displays:

- SERVICE EXHAUST FLUID SYSTEM - SEE OWNERS MANUAL NOW – 160 KM (99 MI) UNTIL 105 KM/H (65 MPH) MAX SPEED.
- For emergency vans with RPO YF2 or emergency pickups with RPO ANM, SERVICE EXHAUST FLUID SYSTEM - SEE OWNERS MANUAL NOW – 998 KM (620 MI) UNTIL 105 KM/H (65 MPH) MAX SPEED.

The displayed mileage will decrease as driving continues. A warning light also comes on. In some cases this

## 9-18 Driving and Operating

---

message will clear itself, indicating that the DEF system was able to correct the condition. If the DIC message persists, see your dealer or additional DIC messages may display.

When the mileage countdown is zero, the DIC message SERVICE EXHAUST FLUID SYSTEM - SEE OWNERS MANUAL NOW - TRANSITIONING TO 105 KM/H (65 MPH) MAX SPEED displays. A warning light and a chime also come on. Vehicle speed will be reduced to a maximum speed limit of 105 km/h (65 mph).

After the transition to 105 km/h (65 mph) is complete, a DIC message displays:

- SERVICE EXHAUST FLUID SYSTEM - SEE OWNERS MANUAL NOW - SPEED LIMITED TO 105 KM/H (65 MPH) – 120 KM (75 MI) UNTIL 89 KM/H (55 MPH) MAX SPEED.

- For emergency vans with RPO YF2 or emergency pickups with RPO ANM, SERVICE EXHAUST FLUID SYSTEM - SEE OWNERS MANUAL NOW - SPEED LIMITED TO 105 KM/H (65 MPH) – 933 KM (580 MI) UNTIL 89 KM/H (55 MPH) MAX SPEED.

The displayed mileage will decrease as driving continues. A warning light and a chime also come on.

When the mileage countdown is zero, the DIC message SERVICE EXHAUST FLUID SYSTEM - SEE OWNERS MANUAL NOW - TRANSITIONING TO 89 KM/H (55 MPH) MAX SPEED displays. A flashing warning light and a chime also come on. Vehicle speed will be reduced down to a maximum speed limit of 89 km/h (55 mph).

After the transition to 89 km/h (55 mph) is complete, the DIC message SERVICE EXHAUST FLUID SYSTEM - SEE OWNERS MANUAL NOW - SPEED LIMITED TO 89 KM/H (55 MPH) – 120 KM

(75 MI) UNTIL 7 KM/H (4 MPH) MAX SPEED displays. The displayed mileage will decrease as driving continues. A flashing warning light and a chime also come on.

When the mileage countdown is zero, the DIC message SERVICE EXHAUST FLUID SYSTEM - SEE OWNERS MANUAL NOW - TRANSITIONING TO 7 KM/H (4 MPH) MAX SPEED displays. A flashing warning light and a chime also come on. Vehicle speed will be reduced to a maximum speed limit of 7 km/h (4 mph).

After the transition to 7 km/h (4 mph) is complete, the DIC message SERVICE EXHAUST FLUID SYSTEM - SEE OWNERS MANUAL NOW - SPEED LIMITED TO 7 KM/H (4 MPH) displays. A flashing warning light and a chime also come on.

### Service Emission System

These restrictions are not applicable to emergency vans with RPO YF2 or emergency pickups with RPO ANM.

If a problem occurs with the vehicle emission system, the DIC message SERVICE EMISSION SYSTEM - SEE OWNERS MANUAL NOW - 282 KM (175 MI) UNTIL 105 KM/H (65 MPH) MAX SPEED displays. The displayed mileage will decrease as driving continues. In some cases this message will clear itself, indicating that the emission system was able to correct the condition. If the DIC message persists, see your dealer or additional DIC messages may display.

When the mileage countdown is zero, the DIC message SERVICE EMISSION SYSTEM - SEE OWNERS MANUAL NOW - TRANSITIONING TO 105 KM/H (65 MPH) MAX SPEED displays. A chime also comes on. Vehicle speed will be reduced to a maximum speed limit of 105 km/h (65 mph).

After the transition to 105 km/h (65 mph) is complete, the DIC message SERVICE EMISSION SYSTEM - SEE OWNERS MANUAL NOW - SPEED LIMITED TO 105 KM/H (65 MPH) - 120 KM (75 MI) UNTIL 89 KM/H (55 MPH) MAX SPEED displays. The displayed mileage will decrease as driving continues. A chime also comes on.

When the mileage countdown is zero, the DIC message SERVICE EMISSION SYSTEM - SEE OWNERS MANUAL NOW - TRANSITIONING TO 89 KM/H (55 MPH) MAX SPEED displays. A chime also comes on. Vehicle speed will be reduced to a maximum speed limit of 89 km/h (55 mph).

After the transition to 89 km/h (55 mph) is complete, the DIC message SERVICE EMISSION SYSTEM - SEE OWNERS MANUAL NOW - SPEED LIMITED TO 89 KM/H (55 MPH) displays. A chime also comes on.



### Brakes

#### Exhaust Brake

The heavy duty diesel pickups have an exhaust brake to enhance the vehicle brake system, and reduce brake lining wear.



A switch is used to activate the system, and is located below the climate controls in the center of the vehicle instrument panel. The switch must be pressed at each vehicle start for the system to be active.

A light in the switch will come on when the exhaust brake is activated.

The Driver Information Center (DIC) displays the message EXHAUST BRAKE ON for approximately 10 seconds, then clears.

To turn the brake off, press the exhaust brake switch a second time. The DIC displays the message EXHAUST BRAKE OFF for approximately 10 seconds, then clears.

Downshifts may be automatically selected to increase engine speed, which increases the effectiveness of the exhaust brake. The number of downshifts selected is determined by the length of time the brakes are applied, and the rate the vehicle is slowing. The system delivers the correct amount of braking to assist in vehicle control. The heavier the vehicle load, the more active the engine exhaust brake will be. Use of the exhaust brake will help maintain

vehicle speed when used with cruise control. See “Cruise Control” in the owner manual.

Automatic downshifts will not occur if the vehicle is in Range Selection Mode. See “Manual Mode” in the owner manual.

The exhaust brake only activates when the transmission torque converter is locked. This can vary based on vehicle speed, gear, and load. The exhaust brake will be more active when in Tow/Haul Mode.

## Fuel

### Fuel for Diesel Engines

This vehicle is approved to use diesel fuel with no more than 15 ppm sulfur content and biodiesel up to 20% by volume. Both diesel and biodiesel blends must meet all the requirements as defined in the most current versions of the local fuel standards. Please see the recommended fuels for individual countries, as described in the following sections.

#### Caution

Engine damage may occur and the damage would not be covered by the warranty if:

- Gasoline is added to the fuel tank. Gasoline should never be added to the fuel tank.

(Continued)

#### Caution (Continued)

- Diesel fuel has been mixed with engine oil, vegetable oil, or automatic transmission fluid.
- Marine diesel fuel; fuel oils; diesel fuels that are entirely or partially plant based, such as rape seed oil or bio-diesel; Aquazole<sup>®</sup>; or similar diesel-water emulsions are used.
- Diesel fuel or fuel additives that are not recommended are used.
- Aftermarket diesel fuel additives, particularly those that contain alcohol or water emulsifiers, are used. Consult your dealer before using a fuel additive.

Some conditions, such as dirty fuel, may decrease fuel filter life and a CHANGE FUEL FILTER message may come on in the Driver Information Center (DIC).

### What Fuel to Use in The U.S.

Use only diesel fuel with ultra low sulfur content (15 ppm, maximum). Look for dispensers with this label.

**ULTRA-LOW SULFUR  
HIGHWAY DIESEL FUEL**  
(15 ppm Sulfur Maximum)

**Required** for use in all model year 2007 and later highway diesel vehicles and engines.

Recommended for use in all diesel vehicles and engines.

## 9-22 Driving and Operating

Use diesel fuel that meets ASTM specification D 975, Grades No. 2-D or No. 1-D S15, also known as Ultra Low Sulfur Diesel. Contact a fuel supplier for any questions.

### **Caution**

Use of diesel fuel other than Ultra Low Sulfur Diesel (15 ppm sulfur maximum) will cause damage to the exhaust after-treatment system. This damage would not be covered by the vehicle warranty. Do not use marine, locomotive, or boiler distillate fuel since it may contain higher sulfur levels.

### **Diesel Fuel Grades**

For best results use No. 2-D diesel fuel year-round because it is blended for seasonal temperature differences, both above and below freezing conditions. No. 1-D diesel fuel can be used in very cold temperatures (below -18°C or 0°F);

however, it will reduce power and fuel economy. Avoid using No. 1-D diesel fuel in warm or hot climates. It can result in stalling, poor starting when the engine is hot, and damage to the fuel injection system. The fuels industry usually will automatically modify the fuel for the appropriate seasonal blend. If in doubt, please confirm with your local fuel supplier.

### **Premium Diesel Fuel**

Premium Diesel Fuel (FQP-1A) corresponding to the Engine Manufacturers Association (EMA) Recommended Guideline may provide less noise, better starting, and better vehicle performance, but is not required.

### **Biodiesel**

Biodiesel is a renewable fuel produced from vegetable oils or animal fats that have been chemically modified for normal performance.


### **Caution**

Do not use home-made biodiesel or home test kits because the quality cannot be verified by approved scientific methods. Do not use raw vegetable oil or other unmodified bio-oils, fats, or blends of vegetable oil with diesel. They could damage the fuel system and engine, and damages would not be covered by the vehicle warranty.

**Biodiesel blends**

Use biodiesel blends that meet the ASTM specification D6751.

- Retail pumps dispensing blends containing up to 5% biodiesel (B5) are not required to be labeled with the concentration of biodiesel. Blends up to B5 must meet ASTM D975 (Grades No. 2-D or No. 1-D S15 Ultra Low Sulfur Diesel).

 <b>Caution</b>
Do not use blends containing more than 20% biodiesel. Any engine, fuel system, or exhaust after-treatment system damage would not be covered by the vehicle warranty.

Pumps dispensing more than 5% and up to 20% biodiesel are required to be labeled with the concentration of biodiesel. When refueling with a biodiesel blend above B5, one of the following labels should appear on the dispenser:

<b>B-20 Biodiesel Blend</b>
contains biomass-based diesel or biodiesel in quantities between 5 percent and 20 percent

<b>20% Biomass-Based Diesel Blend</b>
contains biomass-based diesel or biodiesel in quantities between 5 percent and 20 percent

- Blends containing more than 5% and up to 20% biodiesel must meet ASTM specification D7467 (Biodiesel blend, B6 - B20).

## 9-24 Driving and Operating

---

Biodiesel quality can vary widely. To reduce the risk of poor quality fuel, purchase biodiesel blends from a BQ-9000 certified marketer. See [www.bq-9000.org](http://www.bq-9000.org) for a list of certified marketers.

As a renewable fuel, biodiesel provides some environmental benefits. However, biodiesel has unique properties and needs to be handled differently than diesel fuel. Its use presents additional risks and may not be appropriate in all situations. Certain vehicle operating modes increase these risks and should be avoided. Read further to determine if your driving habits are compatible with the use of biodiesel.

- Biodiesel fuel quality degrades with time and exposure to high temperature quicker than Ultra Low Sulfur Diesel fuel. More frequent refueling provides the best opportunity to have a supply of fresh fuel. Storage at hot ambient temperatures will accelerate biodiesel degradation.

Owners who use very little fuel, or who have vehicles stored for extended periods of time, should avoid the use of biodiesel blended fuels above 5% by volume. When vehicles are stored for longer than one month, they should be run out of biodiesel to below one-quarter tank, refueled with Ultra Low Sulfur Diesel fuel, and driven several miles before storage.

- At temperatures below 32°F (0° C), it is recommended to switch to Ultra Low Sulfur Diesel fuel with no biodiesel content, or to blends with biodiesel containing less than 5% by volume. At these extreme cold temperatures, biodiesel blends higher than 5% by volume may cause fuel filter plugging and system gelling, which can lead to vehicle operability problems.

Fuels improperly blended for cold temperature operation may result in restricted fuel filters and degraded vehicle performance. The vehicle is equipped with a fuel heating system to provide a level of protection against filter plugging from gelling or waxing of conventional diesel fuel and biodiesel blends. If the operating temperature is far below the temperature at which gelling or waxing of the fuel occurs the system will not prevent all cases of filter plugging.

- Vehicles operated for extended periods of time on Ultra Low Sulfur Diesel fuel and then switched to biodiesel blends may experience premature fuel filter clogging and require more frequent fuel filter service.

With long-term use of Ultra Low Sulfur Diesel fuel, gum and varnish may be deposited within the tank and fuel system. These deposits, while not problematic with the use of Ultra Low Sulfur Diesel fuel, may become loosened with a sudden switch to biodiesel blends and cause fuel filter plugging.

If the vehicle experiences a fuel filter restriction, the on-board monitoring system will alert the driver that the fuel filter requires service. The fuel filter, however, will not prevent all damage caused by poor quality biodiesel.

### Refueling

Diesel fuel can foam when filling the tank. This can cause the automatic pump nozzle to shut off, even if the tank is not full. If this happens, wait for the foaming to stop, and then fill the tank more slowly. See *Filling the Tank* on page 9-36.

#### Warning

Heat coming from the engine can cause the fuel to expand and force the fuel out of the tank. If something ignites the fuel, a fire could start. To help avoid this, fill the tank slowly and only until the nozzle shuts off. Do not top it off. Clean up any spilled fuel.

### Accidental Refueling with Gasoline

#### Caution

If the vehicle is accidentally refueled with gasoline, do not continue driving the vehicle except to get to a location where it can be stopped safely. Driving the vehicle will damage the fuel system. Have the vehicle towed to a qualified technician to have the gasoline removed from the tank, preferably until the fuel gauge reads near E (Empty). Refuel with Ultra Low Sulfur Diesel fuel.

### What Fuel to Use in Canada and Mexico

Use only diesel fuel with ultra low sulfur content (15 ppm maximum).

### What Fuel to Use in Canada

Use diesel fuel that meets CAN/CGSB-3.517 specification in Canada. Contact a fuel supplier for questions about fuel.

#### **Caution**

Use of diesel fuel other than Ultra Low Sulfur Diesel (15 ppm sulfur maximum) will cause damage to the exhaust after-treatment system. This damage would not be covered by the vehicle warranty. Do not use marine, locomotive, or boiler distillate fuel since it may contain higher sulfur levels.

### Diesel Fuel Types

Fuels are blended for seasonal changes. Diesel Type A fuel is blended to ensure vehicles operate in extreme cold temperatures. This fuel, however, may cause some power and fuel economy losses. Diesel Type B fuel is blended for higher temperatures experienced during most of the year. Avoid using Diesel Type A fuel in warm or hot climates. Doing so can result in stalling, poor starting when the engine is hot, and damage to the fuel injection system.

### Premium Diesel Fuel

If available, premium diesel fuel (FQP-1A) corresponding to the Engine Manufacturers Association (EMA) Recommended Guideline could provide better starting and vehicle performance with less noise.

### Biodiesel

Biodiesel is a renewable fuel produced from vegetable oils or animal fats that have been chemically modified for normal engine performance.

#### **Caution**

Do not use home-made biodiesel or home test kits because the quality cannot be verified by approved scientific methods. Do not use raw vegetable oil or other unmodified bio-oils, fats, or blends of vegetable oil with diesel. They could damage the fuel system and engine, and damages would not be covered by the vehicle warranty.

### Biodiesel blends

Biodiesel blends that meet the CAN/CGSB-3.522 specifications up to 20% (B20) can be used. Avoid the use of biodiesel blends above 20%, as they may damage the engine

and fuel system. For detailed information on the use of biodiesel, see *What Fuel to Use in The U.S.* on page 9-21.

## Refueling

Diesel fuel can foam when filling the tank. This can cause the automatic pump nozzle to shut off, even if the tank is not full. If this happens, wait for the foaming to stop, and then fill the tank more slowly. See *Filling the Tank* on page 9-36.

### Warning

Heat coming from the engine can cause the fuel to expand and force the fuel out of the tank. If something ignites the fuel, a fire could start. To help avoid this, fill the tank slowly and only until the nozzle shuts off. Do not top it off. Clean up any spilled fuel.

## Accidental Refueling with Gasoline

### Caution

If the vehicle is accidentally refueled with gasoline, do not continue driving the vehicle except to get to a location where it can be stopped safely. Driving the vehicle will damage the fuel system. Have the vehicle towed to a qualified technician to have the gasoline removed from the tank, preferably until the fuel gauge reads near E (Empty). Refuel with Ultra Low Sulfur Diesel fuel.

## What Fuel to Use in Mexico

Use diesel fuel specification NOM-086 Pemex UBA, which meets the Ultra Low Sulfur Diesel fuel requirement of 15 ppm sulfur maximum. This fuel is not available in all regions of Mexico.

### Caution

Use of diesel fuel other than Ultra Low Sulfur Diesel (15 ppm sulfur maximum) will damage the exhaust after-treatment system. This damage would not be covered by the vehicle warranty.

## Cold Weather Operation

In cold weather, the fuel filter may become clogged by wax naturally present in the fuel. To unclog it, move the vehicle to a warm garage area and allow the filter to warm up. The fuel filter may need to be replaced. See *Fuel Filter Replacement* on page 9-33.

At temperatures below 0°C (32°F), it is recommended to avoid using biodiesel blends above (5% blend) which may cause fuel filter plugging, system gelling, and freezing that may affect vehicle starting.



It is recommended to use Ultra Low Sulfur No. 1-D diesel fuel or a blend of No. 1-D and No. 2-D diesel fuel to enhance vehicle operation in cold weather at temperatures below (0°C (32F)). Use of No. 1-D diesel fuel may lower the fuel economy.

### Water in Fuel

Improper fuel tank inspection or cleaning, or contaminated fuel from suppliers, can cause water to be pumped into the fuel tank along with the diesel fuel. If a WATER IN FUEL message displays, the water must be drained immediately.

#### **Warning**

Diesel fuel containing water is still combustible. You or others could be burned. If the fuel needs to be drained, keep sparks, flames, and smoking materials away from the mixture.

#### **Caution**

Water in the diesel fuel can corrode internal components of the fuel system and lead to severe damage. It can also support fungus or bacteria growth, which can damage the fuel system and fuel operated heater (FOH) (if equipped). Even with a diesel fuel biocide, the fuel system may still need to be cleaned. Your dealer can advise of the appropriate solution.

If the fuel tank needs to be purged to remove water, see your dealer or a qualified technician. Improper purging can damage the fuel system and block the FOH.


### Water in Fuel Troubleshooting

If the WATER IN FUEL SERVICE REQUIRED message comes on:

<b>Problem</b>	<b>Recommended Action</b>
Message displays but goes off during the ignition cycle.	The fuel filter is approximately half full of water. Drain the water immediately. See "Removing Water from Fuel Filter" later in this section.

Problem	Recommended Action
Message displays and stays on.	Drain the fuel filter immediately. If no water can be drained, and the temperature is below freezing, then water may be frozen in the filter. Move the vehicle to a warm location to thaw, then drain the fuel. If still no water drains, see your dealer.

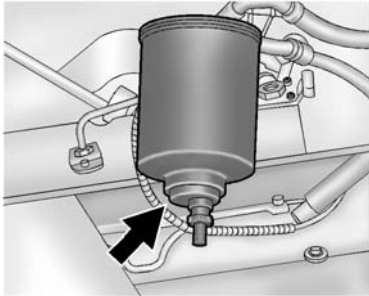
Problem	Recommended Action
Immediately after refueling, message displays and stays on.	A large amount of water is in the fuel tank. Drain the fuel filter immediately. If the message stays on, or comes back on again without refueling, fuel tank purging is required. See your dealer. If the message displays and the vehicle stalls or has rough riding, do not drive until the water contaminated fuel is drained.

 <b>Caution</b>
<p>Driving with this message on can damage the fuel injection system and the engine. If the message comes on right after a refuel, water was pumped into the fuel tank. Turn off the engine and drain the water immediately.</p>

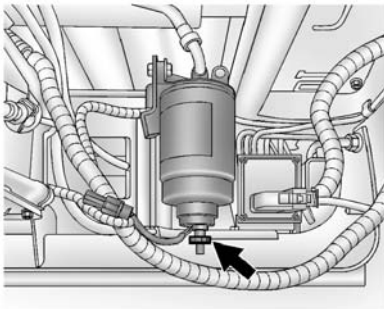
### Removing Water from Fuel Filter

To drain water:

1. Turn the engine off and apply the parking brake.
2. Remove the fuel cap.



Pickup



Van

3. Place a container under the filter drain valve. The filter drain valve is on the bottom of the fuel filter. For pickup models, the filter drain valve is on the passenger side of the engine compartment. For van models, the filter drain valve is under the vehicle on the driver side, inside the frame rail.
4. For pickup models, open the drain valve by turning it two to three turns. Pump the primer until fuel empties from the valve and all of the water has been drained. Close the valve hand tight.
5. Properly dispose of the water contaminated fuel.
6. Install the fuel cap.
7. Start the engine and let it run for a few minutes. During the draining process, air may have entered the fuel system. If the engine stalls, the fuel system may need to be primed. See "Fuel Priming" following.

### Fuel Priming

For the fuel system to work properly, the fuel lines must be full of fuel. If air gets in, the fuel lines need to be primed before operating the vehicle and the fuel operated heater (FOH).

If air is present, the following may have happened:

- The vehicle ran out of fuel.
- The fuel filter was removed.
- The fuel lines were removed or disconnected.
- The fuel filter water drain valve was opened while the engine was running.

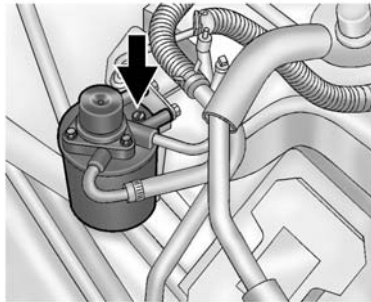
- The FOH pump and FOH fuel lines were removed or disconnected.

The system is not harmed by air in the fuel lines; however, the engine and/or the FOH may not start until the fuel system is primed and the air is removed.

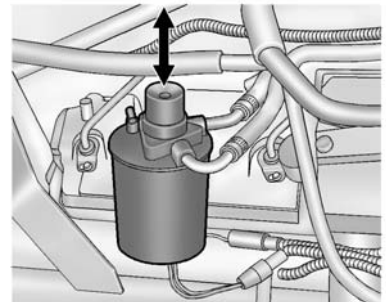
### To Prime Pickup Models

The priming pump is part of the engine fuel filter and will bring fuel to the engine to eliminate air in the fuel lines. To prime the engine:

1. Correct any condition that caused the loss of prime.
2. Check that the fuel filter is installed and properly tightened, and cool enough to touch.
3. Check that the fuel lines are properly connected.
4. Remove any dirt from the fuel filter head and vent valve.



5. Locate the fuel filter vent valve on top of the fuel filter housing. Turn the valve screw counterclockwise several full turns to open.



6. Locate the fuel filter priming pump on top of the fuel filter housing. Push down and let it return up several times.
7. Continue priming the pump until a small amount of fuel comes from the vent valve. This indicates the filter is full of fuel and the system should be primed.
8. Close the vent valve. Clean any fuel off the fuel filter. Try to start the engine. If the engine stalls, operate the priming pump several times in between starting

## 9-32 Driving and Operating

attempts. Allow the engine to idle for a few minutes after it starts. Check the filter for leaks.

### To Prime Van Models

There is an electric priming pump that will bring fuel to the engine and eliminate air in the fuel lines.

To prime the engine:

1. Correct any condition that caused the loss of prime.
2. Turn the ignition to ON/RUN for 30 seconds. Do not start the engine. The fuel pump will start priming.
3. Turn the ignition off, then back to start, and crank the engine for 15 seconds.
4. If the engine does not start, repeat Steps 2 and 3 until the engine starts.

If the engine does not start after repeating Steps 2 and 3 three times, turn the ignition key off for 60 seconds.

5. Repeat the above steps until the engine starts.
6. If the engine starts, but does not run smoothly, increase the engine speed slightly.
7. If the engine starts and runs but stalls again, turn the ignition off for 60 seconds.
8. When the engine starts, let it idle for a few minutes and check the filter for any leaks.

### To Prime the Fuel Operated Heater (FOH) Fuel Lines (Van Models)

See your dealer or qualified technician if the FOH fuel lines need to be primed.

## Running Out of Fuel

### Pickup Models



#### Warning

Diesel fuel is combustible. It could start a fire if it gets on hot engine parts. You could be burned. Catch any fuel from the air bleed valve, and wipe up any spilled fuel with a cloth.

If the engine has stalled due to running out of fuel, try the following steps to restart it:

1. If parked on a level surface, add at least 7.6 L (2 gal) of fuel. Up to 18.9 L (5 gal) may be needed if parked on a slope.
2. Follow the fuel priming procedure earlier in this section to prime the fuel filter.
3. Turn the ignition key to START for 10 to 15 seconds at a time until the engine starts. If the

engine tries to run, but does not run smoothly, increase the rpm slightly by using the accelerator pedal. This will help force air through the system.

4. Return to Step 2 if the engine stalls and will not restart.
5. After a few attempts, if the engine still does not start, see your dealer.

### Van Models

If the engine has stalled due to running out of fuel, try to restart it:

1. If parked on a level surface, add at least 3.8 L (1 gal) of fuel. Up to 18.9 L (5 gal) may be needed if parked on a slope.
2. Follow the vehicle fuel system priming procedure earlier in this section to re-prime the system and restart the engine.

If the check engine light comes on due to running out of fuel, it may take a few drive cycles to clear.

The fuel operated heater (FOH) stops automatically when the fuel tank volume is less than or equal to 10% of the total tank. The FOH fuel lines will not need to be primed if the vehicle runs out of fuel.

## Fuel Filter Replacement

### Pickup Models

#### Warning

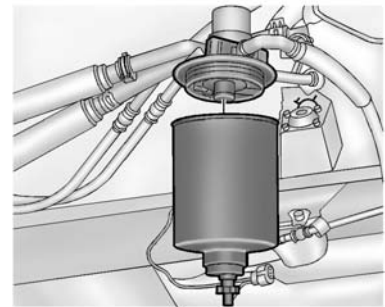
Diesel fuel is flammable. It could start a fire if something ignites it, and people could be burned. Do not let it get on hot engine parts, and keep matches or other ignition sources away.

The fuel filter is located in the engine compartment on the passenger side of the vehicle.

1. Drain any water from the filter. See “Removing Water from Fuel” in *Water in Fuel* on page 9-28.

Keep the engine off until the procedure is completed.

2. Apply the parking brake.
3. Access the fuel filter through the passenger side wheel house opening. Remove only the necessary fasteners to allow the rear of the wheel liner to be lowered enough for fuel filter access.



## 9-34 Driving and Operating

- Unplug the water sensor wire connected to the fuel filter and unscrew the filter element.
- Clean the fuel filter area on the engine before removing the fuel filter.

### **Caution**

Failure to cover the fuel filter with a clean cloth to keep out debris when replacing may cause dirt to get into the engine. This could cause engine damage. Keep the fuel filter covered with a clean cloth when replacing.

- Remove the filter element. If there is any dirt on the filter sealing surface, clean it off. Remove and reuse the water sensor float switch on the bottom of the fuel filter.
- Install the new filter element.

- Reinstall and tighten the filter container and reconnect the water sensor wire to the filter.
- Reposition the wheel liner.
- Install and tighten the fasteners.
- Use the fuel filter priming procedure earlier in this section to prime the fuel filter.
- Start the engine and let it idle for five minutes. Check the fuel filter and air bleed valve for leaks.
- Reset the fuel filter monitor. See *Fuel System Messages* on page 5-13.

### **Van Models**

If the fuel operated heater (FOH) is not working, the FOH line requires priming. See your dealer for service. See *Fuel Operated Heater (FOH)* on page 9-10.

### **Warning**

Diesel fuel is flammable. It could start a fire if something ignites it, and people could be burned. Do not let it get on hot engine parts, and keep matches or other ignition sources away.

The fuel filter and fuel pump screen are on the driver side frame rail in front of the fuel tank.

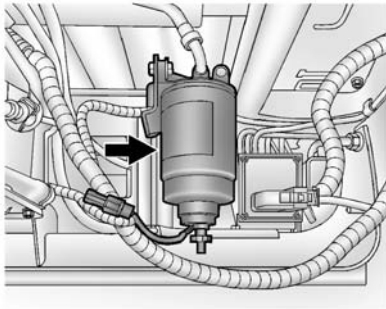
The fuel pump screen should be inspected and cleaned if necessary at each fuel filter inspection or replacement.

The fuel level must be less than three-quarters full.

- Drain any water from the filter. See "Removing Water From Fuel" in *Water in Fuel* on page 9-28.
- Keep the engine off until the procedure is completed.

### Fuel Filter

1. Apply the parking brake.

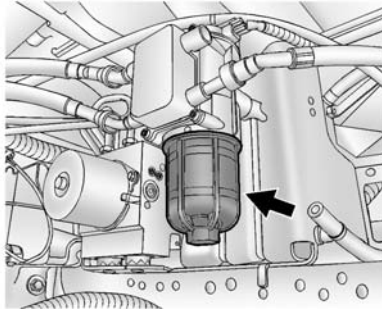


2. Unplug the water sensor wire connected to the fuel filter (lowest wire) and unscrew the filter cap.
3. Remove the filter element. If there is any dirt on the filter sealing surface, clean it off.
4. Install the new filter element.

5. Reinstall and tighten the filter cap and reconnect the water sensor wire to the filter.
6. Follow the vehicle fuel system priming procedure earlier in this section to re-prime the system.
7. Start the engine and let it idle for five minutes.

### Fuel Pump Screen

1. Apply the parking brake.



2. Unscrew the fuel pump screen bowl.

3. Remove the filter element. If there is any dirt on the filter sealing surface, clean it off.
4. Clean the fuel pump screen and fuel pump screen bowl o-ring.
5. Inspect the screen and o-ring for damage. Replace as necessary.
6. Install the fuel pump screen and o-ring.
7. Install the fuel pump screen bowl.
8. Follow the vehicle fuel system priming procedure earlier in this section to re-prime the system.
9. Start the vehicle and let it idle for five minutes.



### Filling the Tank

#### Warning

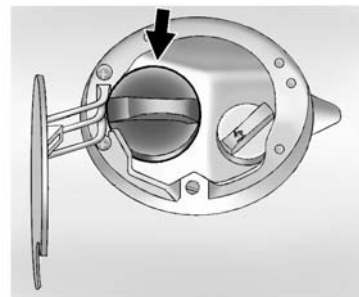
Fuel vapors and fuel fires burn violently and can cause injury or death.

- To help avoid injuries to you and others, read and follow all the instructions on the fuel pump island.
- Turn off the engine when refueling.
- Keep sparks, flames, and smoking materials away from fuel.
- Do not leave the fuel pump unattended.
- Do not reenter the vehicle while pumping fuel.

(Continued)

#### Warning (Continued)

- Keep children away from the fuel pump and never let children pump fuel.
- Fuel can spray out if the fuel cap is opened too quickly. This spray can happen if the tank is nearly full, and is more likely in hot weather. Open the fuel cap slowly and wait for any hiss noise to stop then unscrew the cap all the way.



#### Van Shown, Pickup Similar

The green fuel cap is behind a hinged door on the driver side of the vehicle. On van models, the blue diesel exhaust fluid cap is also behind the fuel door. Do not remove both caps at the same time.

For chassis-cab models, refuel the front tank first, or in instances when only a partial fuel fill is desired. An automatic transfer mechanism will maintain approximately equal fuel levels in both tanks, so no switching is required by the operator.

To remove the fuel cap, turn it slowly to the left (counterclockwise).

Be careful not to spill diesel fuel. Do not top off or overfill your tank, and wait a few seconds after you have finished pumping before you remove the nozzle. Clean fuel from painted surfaces as soon as possible. See "Washing the Vehicle" in the owner manual. When you put the fuel cap back on, turn it to the right (clockwise) until you hear a clicking sound. Make sure you fully install the cap.

 **Warning**

If a fire starts while you are refueling, do not remove the nozzle. Shut off the flow of fuel by shutting off the pump or by notifying the station attendant. Leave the area immediately.

 **Caution**

If a new fuel cap is needed, be sure to get the right type of cap from your dealer. The wrong type of fuel cap might not fit properly and could damage the fuel tank and emissions system.

 **Caution**

If your vehicle has been accidentally filled with gasoline, do not run the engine or severe engine damage can occur. Contact your dealer to have the fuel system flushed.

## Filling a Portable Fuel Container

 **Warning**

Filling a portable fuel container while it is in the vehicle can cause fuel vapors that can ignite either by static electricity or other means. You or others could be badly burned and the vehicle could be damaged. Always:

- Use approved fuel containers.
- Remove the container from the vehicle, trunk, or pickup bed before filling.
- Place the container on the ground.

(Continued)

**Warning (Continued)**

- Place the nozzle inside the fill opening of the container before dispensing fuel, and keep it in contact with the fill opening until filling is complete.
- Fill the container no more than 95% full to allow for expansion.
- Do not smoke, light matches, or use lighters while pumping fuel.
- Avoid using cell phones or other electronic devices.

## Towing

### Trailer Towing

When towing at high elevation on steep uphill grades, consider the following:

Engine coolant at higher elevation will boil at a lower temperature than at or near sea level. If the engine is turned off immediately after towing at high elevation on steep uphill grades, the vehicle may show signs similar to engine overheating. To avoid this, let the engine run while parked (preferably on level ground) with the transmission in P (Park) and the parking brake applied for at least five minutes before turning the engine off. If the overheat warning comes on, see *Engine Overheating on page 10-23*.

Use the following chart to determine how much the vehicle can weigh, based upon your vehicle model and options.

Vehicle	Axle Ratio	Max. Trailer Wt. <sup>8</sup>	GCWR *
C-2500 Pickup Models – 2WD			
Pickup Model Double Cab Standard Box <sup>1</sup>	3.73	7 983 kg (17,600 lb)	11 113 kg (24,500 lb)
Pickup Model Crew Cab Standard Box <sup>1</sup>	3.73	7 893 kg (17,400 lb)	11 113 kg (24,500 lb)
Pickup Model Regular Cab Long Box <sup>1</sup>	3.73	8 119 kg (17,900 lb)	11 113 kg (24,500 lb)
Pickup Model Double Cab Long Box <sup>1</sup>	3.73	7 938 kg (17,500 lb)	11 113 kg (24,500 lb)
Pickup Model Crew Cab Long Box <sup>1</sup>	3.73	7 847 kg (17,300 lb)	11 113 kg (24,500 lb)
K-2500 Pickup Models – 4WD			
Pickup Model Double Cab Standard Box <sup>1</sup>	3.73	7 847 kg (17,300 lb)	11 113 kg (24,500 lb)
Pickup Model Crew Cab Standard Box <sup>1</sup>	3.73	7 757 kg (17,100 lb)	11 113 kg (24,500 lb)
Pickup Model Regular Cab Long Box <sup>1</sup>	3.73	7 983 kg (17,600 lb)	11 113 kg (24,500 lb)
Pickup Model Double Cab Long Box <sup>1</sup>	3.73	7 802 kg (17,200 lb)	11 113 kg (24,500 lb)

## 9-40 Driving and Operating

---

<b>Vehicle</b>	<b>Axle Ratio</b>	<b>Max. Trailer Wt.<sup>8</sup></b>	<b>GCWR *</b>
Pickup Model Crew Cab Long Box <sup>5</sup>	3.73	7 439 kg (16,400 lb)	11 113 kg (24,500 lb)
C-3500 Pickup Model Double Cab Long Box – 2WD			
Single Rear Wheels <sup>1</sup>	3.73	7 938 kg (17,500 lb)	11 113 kg (24,500 lb)
Dual Rear Wheels <sup>3</sup>	3.73	10 433 kg (23,000 lb)	13 835 kg (30,500 lb)
C-3500 Pickup Model Crew Cab Standard Box – 2WD			
Single Rear Wheels <sup>1</sup>	3.73	7 893 kg (17,400 lb)	11 113 kg (24,500 lb)
C-3500 Pickup Model Crew Cab Long Box – 2WD			
Single Rear Wheels <sup>1</sup>	3.73	7 847 kg (17,300 lb)	11 113 kg (24,500 lb)
Dual Rear Wheels <sup>3</sup>	3.73	10 387 kg (22,900 lb)	13 835 kg (30,500 lb)
K-3500 Pickup Model Regular Cab – 4WD			
Single Rear Wheels <sup>1</sup>	3.73	7 938 kg (17,500 lb)	11 113 kg (24,500 lb)
Dual Rear Wheels <sup>2</sup>	3.73	10 523 kg (23,200 lb)	13 835 kg (30,500 lb)
K-3500 Pickup Model Double Cab Long Box – 4WD			
Single Rear Wheels <sup>1</sup>	3.73	7 802 kg (17,200 lb)	11 113 kg (24,500 lb)
Dual Rear Wheels <sup>4</sup>	3.73	10 342 kg (22,800 lb)	13 835 kg (30,500 lb)

<b>Vehicle</b>	<b>Axle Ratio</b>	<b>Max. Trailer Wt.<sup>8</sup></b>	<b>GCWR *</b>
<b>K-3500 Pickup Model Crew Cab Standard Box – 4WD</b>			
Single Rear Wheels <sup>1</sup>	3.73	7 757 kg (17,100 lb)	11 113 kg (24,500 lb)
<b>K-3500 Pickup Model Crew Cab Long Box – 4WD</b>			
Single Rear Wheels <sup>6</sup>	3.73	7 666 kg (16,900 lb)	11 113 kg (24,500 lb)
Dual Rear Wheels <sup>7</sup>	3.73	10 251 kg (22,600 lb)	13 835 kg (30,500 lb)
<b>C/K-3500 Chassis Cab – 2WD/4WD</b>			
All	3.73	<sup>9</sup>	13 835 kg (30,500 lb)
<b>Van Models – 2WD</b>			
G2500 Cargo Van Short Wheelbase	3.54	4 536 kg (10,000 lb)	7 711 kg (17,000 lb)
G2500 Cargo Van Long Wheelbase	3.54	4 536 kg (10,000 lb)	7 711 kg (17,000 lb)
G3500 Cargo Van Short Wheelbase	3.54	4 536 kg (10,000 lb)	7 711 kg (17,000 lb)
G3500 Cargo Van Long Wheelbase	3.54	4 536 kg (10,000 lb)	8 391 kg (18,500 lb)
G3500 Passenger Van Short Wheelbase	3.54	4 536 kg (10,000 lb)	7 711 kg (17,000 lb)

## 9-42 Driving and Operating

Vehicle	Axle Ratio	Max. Trailer Wt. <sup>8</sup>	GCWR *
G3500 Passenger Van Long Wheelbase	3.54	4 400 kg (9,700 lb)	7 711 kg (17,000 lb)
G3500 Cutaway Van 159" Wheelbase	3.54	<sup>9</sup>	7 257 kg (16,000 lb)
G3500 Cutaway Van 139" Wheelbase	3.54	<sup>9</sup>	7 711 kg (17,000 lb)
G3500 Cutaway Van 155" and 159" Wheelbase	3.73	<sup>9</sup>	8 391 kg (18,500 lb)

\*The Gross Combination Weight Rating (GCWR) is the total allowable weight of the completely loaded vehicle and trailer including any passengers, cargo, equipment, and conversions. The GCWR for the vehicle should not be exceeded.

<sup>1</sup>Trailer rating limited to 5 897 kg (13,000 lb) with conventional hitch.

<sup>2</sup>Trailer rating limited to 7 257 kg (16,000 lb) with conventional hitch.

<sup>3</sup>Trailer rating limited to 7 484 kg (16,500 lb) with conventional hitch.

<sup>4</sup>Trailer rating limited to 8 165 kg (18,000 lb) with conventional hitch.

<sup>5</sup>Trailer rating limited to 6 577 kg (14,500 lb) with conventional hitch.

<sup>6</sup>Trailer rating limited to 6 804 kg (15,000 lb) with conventional hitch.

<sup>7</sup>Trailer rating limited to 8 896 kg (19,600 lb) with conventional hitch.

<sup>8</sup>For chassis cab and pickup box delete vehicles, choose an appropriate hitch and load the truck and trailer within the limits of GCWR, GVWR, and RGAWR.

<sup>9</sup>Maximum Trailer Weight cannot be provided because total vehicle weight is unknown.

See "Towing a Trailer" in the owner manual for kingpin weight and trailer tongue weight information.

## Conversions and Add-Ons

### Power Take-Off (PTO)

The PTO is an upfitter integrated system that allows the user to create an auxiliary power source for running add-on equipment, such as salt spreaders, snow plows, winches, and lift buckets. The PTO system controls engine speed to values higher than normal base idle, PTO load relay engagement, and remote starting and shutdown of the engine.

#### Primary PTO Operating Modes

PTO modes of operation include:

- Preset PTO Mode (Stationary operation only)
- Variable PTO Mode (Stationary and mobile operation)

The PTO stationary mode provides both in-cab and remote controls. The in-cab controls are enabled as

the factory preset. The remote controls are disabled. This factory preset configuration can be programmed to enable the remote controls, and/or disable the in-cab PTO controls. See your dealer for more information.

#### PTO Sub-Modes

The primary PTO modes have the following sub-modes:

- Engine speed control, PTO load relay engagement/disengagement
- Remote engine start and shutdown (Stationary operation only)

#### PTO Engage/Disengage Conditions

##### Engage Conditions – Stationary PTO

To engage stationary PTO operation, the following conditions must be met:

- The engine must be running.

- The vehicle cannot be moving and the parking brake must be set.
- The shift lever must be in P (Park).
- The brake pedal must not be pressed.

For in-cab PTO operation:

Press and release the PTO switch located below the climate controls in the center of the vehicle instrument panel. The PTO indicator light, on the tachometer, will blink fast until the PTO load becomes engaged. The indicator light will then be on steady. The SET- and +RES cruise control buttons can then be used to establish the desired PTO operating speed.

For remote PTO operation:

Press and release the PTO remote arm switch, then within five seconds, press and release the PTO remote engine start/shutdown switch. The PTO remote set switch can then be used to establish the



## 9-44 Driving and Operating

---

desired PTO operating speed. Additional information is available in the service manual for the correct wiring configuration and programming of the remote PTO enable and set switches. These switch connections are accessed through the PTO upfitter connector, located on the chassis frame, behind the vehicle compartment.

### Enabling Conditions – Mobile PTO

To engage mobile PTO operation, the following conditions must be met prior to turning on PTO:

- The engine must be running.
- The vehicle speed must be less than the PTO top vehicle speed limit. The default setting is 94 km/h (58 mph). This limit can be adjusted by a service technician.
- The shift lever may be in M1, M2 or M3. When placed in M2 or M3, the vehicle will upshift according to engine RPM set point and vehicle speed.

- The brake must be pressed and then released. The brake must then remain released.
- Cruise control cannot be enabled or active.
- Engine speed must be less than the maximum allowed PTO engage speed of 1500 rpm.
- Press and release the PTO in cab switch. The PTO indicator light will blink fast until the PTO load becomes engaged, at which point the indicator light will be on steady. The SET– and +RES cruise control buttons can then be used to establish the desired PTO operating speed. See “Variable PTO Mode” and “PTO Switch Operation” later in this section.

### DIC WARNING MESSAGES

One or more of the following Driver Information Center (DIC) messages may appear if the PTO will not

engage. The operator must take the action indicated, then attempt to re-enable PTO.

- PTO: SHIFT TO PARK OR NEUTRAL (Stationary only)
- PTO: SET PARK BRAKE (Stationary only)
- PTO: PRESS & RELEASE BRAKE (Mobile only)
- PTO: RELEASE BRAKE
- PTO: REDUCE VEHICLE SPEED
- PTO: REDUCE ENGINE SPEED
- PTO: DISENGAGE CRUISE CONTROL (Mobile only)

In addition to these messages, the PTO indicator light will indicate when all conditions required to engage PTO have not been met. When enabling PTO, the indicator light will turn on, then off after one second. Under normal operating conditions, the PTO indicator light will remain on throughout the PTO operating cycle.

## PTO Disengage Conditions

To disengage the stationary or mobile PTO operation, do one of the following:

- Press the brake. PTO will disengage immediately. The PTO indicator light will blink slowly, indicating that the PTO set speed is stored in memory. Pressing the +RES switch will restore engine speed to the stored PTO set speed. PTO can also be programmed to reengage at PTO standby speed upon releasing the brake pedal.
- Press and release the PTO in-cab switch. The engine speed will return to normal engine idle. The PTO indicator light will go off indicating the PTO load relay has been disengaged and PTO set speed has been cleared from memory.
- From the remote PTO controls, Press and release the emergency stop switch. PTO is

disengaged and the engine is shut down simultaneously. (Stationary remote PTO only)

- From the remote PTO controls, press and release the remote engine start/shutdown switch. PTO is disengaged and the engine is shut down simultaneously. (Stationary remote PTO only)

The mobile PTO mode will also disengage if the following conditions are detected by the vehicle electronics:

- The PTO load becomes disengaged. (See service manual.)
- Vehicle speed exceeds 94 km/h (58 mph).
- Engine speed exceeds the maximum allowed PTO operating speed of 3100 rpm (factory setting 2100 rpm).
- The PTO control system will attempt to limit accelerator pedal and PTO switch input as the

vehicle approaches the above operational limits. There are some vehicle conditions, such as downhill acceleration, that may cause vehicle speed and/or engine speed limits to be exceeded. Under these conditions, PTO is disengaged.

The stationary PTO mode will also disengage if any of the following conditions are detected by the vehicle electronics:

- Movement of the vehicle.
- The parking brake is released.
- The transmission is shifted from P (Park) or N (Neutral) to D (Drive) or R (Reverse).
- The PTO load becomes disengaged. (See service manual.)
- Cruise control is enabled.

### Preset PTO Mode

Preset PTO can only be used when the vehicle is not moving. This mode provides both in-cab and

remote controls. The in-cab controls are enabled as the factory preset. The remote controls are disabled. This factory preset configuration can also be reprogrammed to enable the remote controls, and disable the in-cab PTO controls. See your dealer for more information.

For in-cab PTO mode, the engine speed is initially set to a stand-by engine speed (900 rpm) by pressing the PTO in-cab switch.

For remote PTO mode, with the engine off, press and release the PTO remote arm switch and within 5 seconds press and release the PTO remote start/shutdown switch. The engine speed is initially set to a stand-by engine speed (900 rpm). The stand-by engine speed can be set to a higher speed by a service technician.

Choose one of two factory presets by pressing the SET- (speed 1) or +RES (speed 2) switches, or PTO remote SET switch. Speed 1 and Speed 2 are programmable by a

service technician from base engine idle rpm to max PTO operation speed (3100 rpm).

- Speed 1: Pressing the -/SET position of the PTO switch results in a preset speed of 1200 rpm.
- Speed 2: Pressing the +/RES position of the PTO switch results in a preset speed of 1900 rpm.

Pressing and releasing the PTO in-cab switch will return the engine speed back to normal idle. The PTO load relay is also disengaged. IN the remote mode, pressing and releasing the PTO remote start/shutdown switch will disengage the load and shut down the engine.

**Maximum PTO Operating Speed:**  
To protect the PTO from over-speed, the PTO system will disengage when the engine speed exceeds 3100 rpm. The factory preset maximum PTO operating

speed is 2100 rpm. This can be reprogrammed by a service technician.

### **Variable PTO Mode**

In this mode, the vehicle can be programmed for stationary or mobile operation.

The variable PTO mode controls engine speed, and PTO load engagement is selected by either the PTO in-cab or remote switches. Engine speed selection is variable between base engine idle speed and a maximum of 3100 rpm (factory setting 2100 rpm).

In the mobile PTO mode, the vehicle will operate at a vehicle speed resulting from the current PTO engine speed request and current transmission gear range selected.

Vehicle speed stability is greatly improved by operating the transmission in manual mode because upshifts are limited. Mobile PTO is only available in M1, M2,

and M3. This reduces the maximum vehicle speed while allowing high engine speed operation.

### PTO Switch Operation

To engage PTO, press and release the in-cab PTO switch or, press and release the remote PTO arm switch, then within five seconds, press and release the PTO remote start/shutdown switch. The vehicle will increase engine speed to a factory preset engine speed (900 rpm). This PTO stand-by speed is not intended to be an operational PTO speed, but allows the engagement of the PTO at lower initial start-up rpm to match with the engagement of the PTO load relay.

The initial stand-by speed can be adjusted by holding the accelerator to the desired engine speed, then pressing and releasing the in-cab PTO switch. The current engine speed will become the new stand-by speed. This adjustment can only be done once at the initial engagement of PTO. The initial stand-by speed

adjustment must be between engine base idle speed and 1500 rpm (maximum PTO engage speed).

Press and release the in-cab switch. The engine speed will be reduced to the base idle speed and the PTO load relay will be disengaged. In remote mode, press and release the PTO remote start/shutdown switch.

### PTO Operational Speed Control

**SET:** Press and hold the accelerator to obtain the desired engine speed, then press and release the SET- switch. The current engine speed will be maintained. This action can be repeated as desired to a higher rpm value. The PTO set speed cannot exceed 3100 rpm.

**TAP-DOWN:** Press and release the SET- switch to reduce the engine speed by increments of 100 rpm. This increment can be adjusted by a service technician.

**COAST:** Press and hold the SET- switch to reduce the rpm by 150 rpm per second until the desired engine speed is reached or until the initial PTO standby speed is reached.

**RESUME:** When a PTO set speed has been achieved, press and release the brake pedal. Engine speed will reduce to basic idle speed. The PTO indicator light will blink slowly indicating the previous PTO set speed has been retained in memory. Press and release the +RES switch to resume the previous PTO set speed.

**TAP-UP:** Press and release the +RES switch to increase the engine speed by increments of 100 rpm. This increment can be adjusted by a service technician.

**ACCEL:** Press and hold the +RES switch to increase the rpm by 150 rpm per second until the desired engine speed is reached or until the maximum allowable PTO set speed is reached.

### Remote Engine Start Control

The vehicle's PTO system allows the engine to be remotely started while operating in the stationary PTO mode. The vehicle wiring system provides for connections to a remote start arming switch and remote engine start switch. These connections are accessed through the upfitter connector.

The remote start function is initiated by a sequence of switch actions, in addition to several vehicle conditions. The vehicle ignition key can be in any position or removed from the ignition. The following conditions must be met before attempting to remote start the engine:

- The vehicle must be configured for stationary PTO operation by a qualified dealer.
- The parking brake must be set.

- The transmission shift lever must be in P (Park).
- The vehicle hood must be closed.

Once the above conditions are met, continue the remote start by doing the following steps using the remote PTO controls:

1. Press and release the remote arm switch.
2. Within five seconds of releasing the remote arm switch, press and hold the remote engine start/shutdown switch for about two seconds (horn will sound) until the engine starts. The PTO system will raise engine rpm to standby speed and engage the PTO load.

### Remote Engine Shutdown Control

The vehicle's PTO system allows for remote engine shutdown while operating in the stationary PTO mode. This feature has the following functions:

- Engine shutdown using the operator remote switch: The vehicle wiring system provides remote engine shutdown switch connections, which are accessed through the PTO upfitter connector.
- Timed auto-engine shutdown: The timed auto-engine shutdown feature provides the means to shut down the engine automatically after a predefined time. PTO must be operational for this function to be active.

- Engine shutdown based on critical engine conditions: The engine will be shut down when PTO is operating if a critical engine condition is detected by the vehicle system (i.e., low oil, low oil pressure, hot engine, hot transmission, low fuel, diesel particulate filter regeneration). If PTO operation is continued when critical engine conditions are present, a horn chirp warning will occur after two to five minutes. The engine will be shut down two minutes after the horn warning. The operator can re-start the engine with the ignition key. The above horn warning and engine shutdown will again occur if the critical engine condition is still present.

### **Prolonged or Extended PTO Operation**

While operating the vehicle in stationary PTO mode, the Diesel Particulate Filter (DPF) will continue to filter the exhaust and accumulate soot. The engine control system, depending on the speed and load being applied by the PTO, may not be able to generate enough energy or adequate heat needed to clean or regenerate the DPF. Continued operation under conditions that do not allow effective regeneration or cleaning will eventually plug the DPF and result in reduced power. The ENGINE POWER IS REDUCED Driver Information Center (DIC) message and malfunction indicator lamp will be displayed, and dealer service will be required to return the vehicle to normal, full power operation.

To prevent this from occurring, frequently monitor the vehicle during PTO operation. If the DIC message is displayed during PTO operation, see *Diesel Particulate Filter on page 9-11* for information on how to clean or regenerate the DPF. Also see "Remote Engine Shutdown Control" earlier in this section.

### **Factory Preset Parameters**

The following table lists the factory preset parameters. These may be altered by the service technician to configure the various PTO features.

## 9-50 Driving and Operating

---

<b>Programmable Parameters</b>	<b>Factory Setting</b>	<b>Minimum Value</b>	<b>Maximum Value</b>
PTO In-cab Control	ENABLED	DISABLED	ENABLED
PTO Remote Control	DISABLED	DISABLED	ENABLED
Type of Set Switch Operation	MOMENTARY	MOMENTARY	LATCHING
Press ON Then Go To Set 1 Speed	DISABLED	DISABLED	ENABLED
Remote Engine Start	DISABLED	DISABLED	ENABLED
Remote Engine Shutdown	DISABLED	DISABLED	ENABLED
Load Feedback	DISABLED	DISABLED	ENABLED
Engage Relay	DISABLED	DISABLED	ENABLED
Keep Relay Engaged During Braking	DISABLED	DISABLED	ENABLED
Action After Brake Is Released	RETURN TO BASE IDLE RPM	RETURN TO BASE IDLE RPM	RETURN TO STANDBY RPM
Set Low Fuel Level for Engine Shutdown	15%	0	25%
Engine Run Time While PTO is Active – Timer	420 min	0 minutes	58 hours

<b>Programmable Parameters</b>	<b>Factory Setting</b>	<b>Minimum Value</b>	<b>Maximum Value</b>
Max. PTO Engine Speed	2100 RPM	500 RPM	3100 RPM
Max. PTO Engage Speed	1500 RPM	0 RPM	1500 RPM
PTO Standby RPM	900 RPM	500 RPM Normal engine idle will override if higher than Standby Speed	1500 RPM
PTO Set Speed 1	1200 RPM	500 RPM PTO Set Speed 1 cannot be set below PTO Standby speed	3100 RPM
PTO Set Speed 2	1900 RPM	500 RPM PTO Set Speed 2 cannot be set below PTO Standby speed	3100 RPM
Tap Step	100 RPM	4 RPM	500 RPM
Ramp Rate	150 RPM	4 RPM	150 RPM
Maximum Vehicle Speed	94 km/h	30 km/h	94 km/h
Minimum Remote Potentiometer Threshold	5%	0%	50%
Maximum Remote Potentiometer Threshold	95%	50%	100%



## 9-52 Driving and Operating

---

<b>Programmable Parameters</b>	<b>Factory Setting</b>	<b>Minimum Value</b>	<b>Maximum Value</b>
Remote Set Switch Transition to Low Voltage (<1.66 V)	SET SPEED 1	STANDBY SPEED, SET SPEED 1, or SET SPEED 2	
Remote Set Switch Transition to Open State (>1.66 V, <3.33 V)	PTO STANDBY	STANDBY SPEED, SET SPEED 1, or SET SPEED 2	
Remote Set Switch Transition to High Voltage (>3.33 V)	SET SPEED 2	STANDBY SPEED, SET SPEED 1, or SET SPEED 2	

If the PTO factory preset parameters do not match the settings described above, then they may have already been altered in order to satisfy the requirements of the installed PTO system and body equipment.

See [www.gmupfitter.com](http://www.gmupfitter.com) for more information on the installation of wiring and programming for PTO aftermarket equipment.

# Vehicle Care

## General Information

Accessories and Modifications .....	10-1
-------------------------------------	------

## Vehicle Checks

Engine Compartment Overview .....	10-3
Engine Oil .....	10-6
Engine Oil Life System .....	10-9
Automatic Transmission Fluid .....	10-9
Engine Air Cleaner/Filter ....	10-15
Cooling System .....	10-17
Engine Coolant .....	10-18
Engine Overheating .....	10-23

# General Information

## Accessories and Modifications

Adding non-dealer accessories or making modifications to the vehicle can affect vehicle performance and safety, including such things as airbags, braking, stability, ride and handling, emissions systems, aerodynamics, durability, and electronic systems like antilock brakes, traction control, and stability control. These accessories or modifications could even cause malfunction or damage not covered by the vehicle warranty.

Damage to vehicle components resulting from modifications or the installation or use of non-GM certified parts, including control module or software modifications, is not covered under the terms of the vehicle warranty and may affect remaining warranty coverage for affected parts.

GM Accessories are designed to complement and function with other systems on the vehicle. See your dealer to accessorize the vehicle using genuine GM Accessories installed by a dealer technician.

See the warranty manual.

## Aftermarket Engine Performance Enhancement Products and Modifications

Some aftermarket engine performance products and modifications promise a way to increase the horsepower and torque levels of the vehicle's powertrain. You should be aware that these products could have harmful effects on the performance and life of the engine, exhaust emission system, transmission, and drivetrain. The engines, transmissions, and drivetrains have been designed and built to offer industry leading durability and performance in the most demanding applications.

## 10-2 Vehicle Care

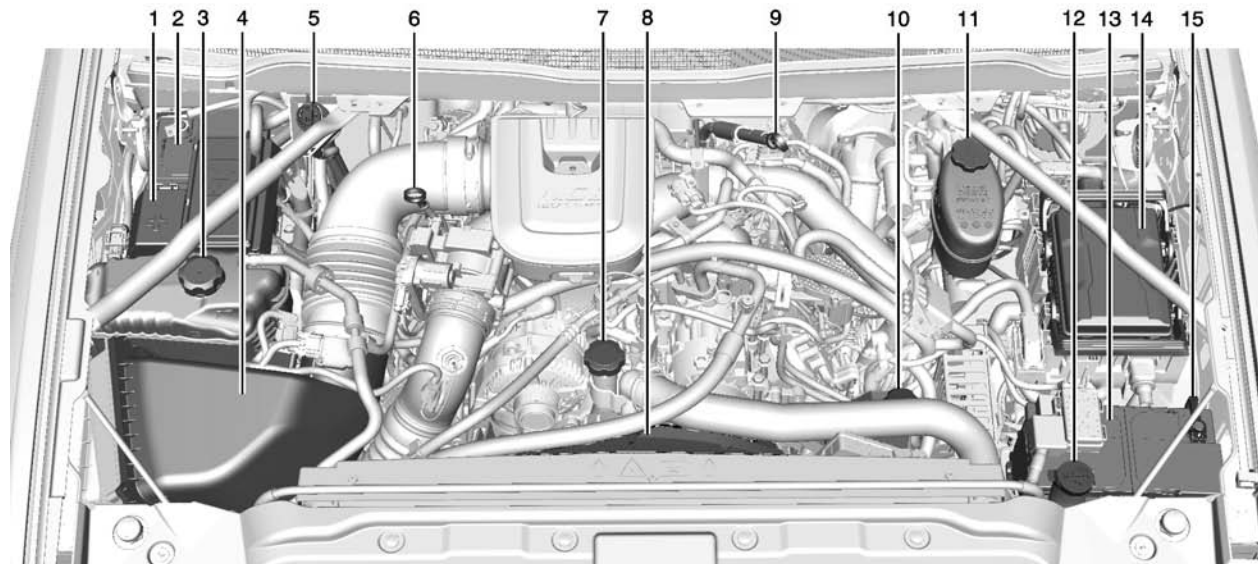
---

Engine power enhancement products may enable the engine to operate at horsepower and torque levels that could damage, create failure, or reduce the life of the engine, engine emission system, transmission, and drivetrain.

Damage, failure, or reduced life of the engine, transmission, emission system, drivetrain, or other vehicle components caused by aftermarket engine performance enhancement products or modifications might not be covered under the vehicle warranty.

## Vehicle Checks

### Engine Compartment Overview

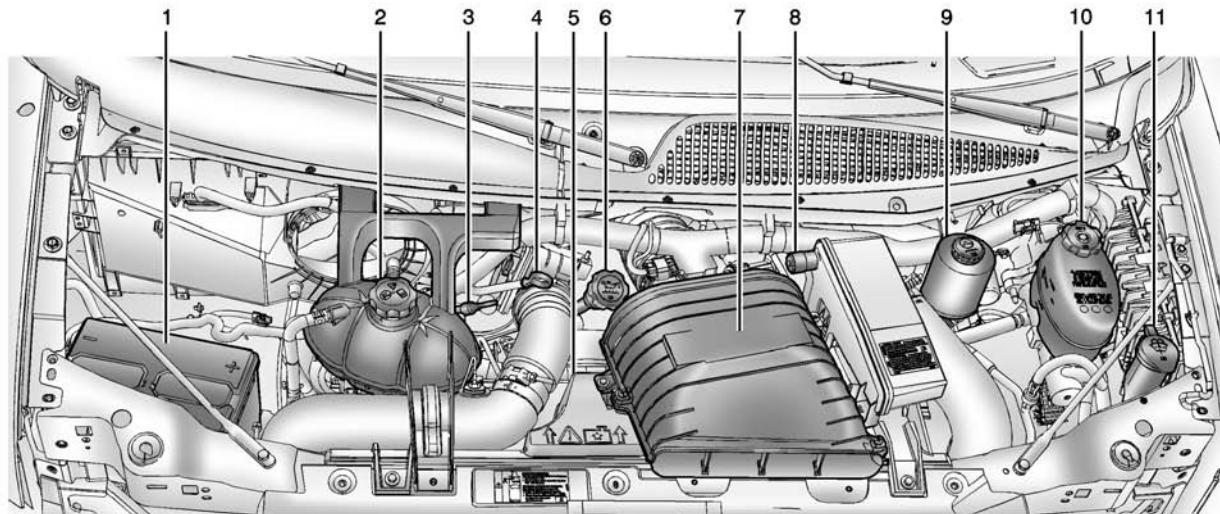


United States Pickup Models Shown, Canada Similar

## 10-4 Vehicle Care

---

1. Remote Positive (+) Terminal
2. Battery
3. Coolant Surge Tank and Pressure Cap
4. Engine Air Cleaner/Filter
5. Diesel Exhaust Fluid (DEF) Fill Tube
6. Engine Oil Dipstick
7. Engine Oil Fill Cap
8. Engine Fan (Out of View)
9. Automatic Transmission Dipstick
10. Power Steering Fluid Reservoir
11. Brake Fluid Reservoir
12. Windshield Washer Fluid Reservoir
13. Auxiliary Battery
14. Underhood Fuse Block
15. Remote Negative (-) Terminal



United States Van Models Shown, Canada Similar

## 10-6 Vehicle Care

---

1. Battery
2. Coolant Surge Tank and Pressure Cap
3. Automatic Transmission Dipstick
4. Engine Oil Dipstick
5. Engine Fan (Out of View)
6. Engine Oil Fill Cap
7. Engine Air Cleaner/Filter
8. Air Cleaner/Filter Restriction Indicator
9. Power Steering Fluid Reservoir
10. Brake Fluid Reservoir
11. Windshield Washer Fluid Reservoir

### Engine Oil

To ensure proper engine performance and long life, careful attention must be paid to engine oil. Following these simple, but important steps will help protect your investment:

- Always use engine oil approved to the proper specification and of the proper viscosity grade. See “Selecting the Right Engine Oil” in this section.
- Check the engine oil level regularly and maintain the proper oil level. See “Checking Engine Oil” and “When to Add Engine Oil” in this section.
- Change the engine oil at the appropriate time. See “Engine Oil Life System” in the owner manual.
- Always dispose of engine oil properly. See “What to Do with Used Oil” in this section.

### Checking Engine Oil

It is a good idea to check the engine oil level at each fuel fill. In order to get an accurate reading, the oil must be warm, at normal operating temperature, and the vehicle must be on level ground. The engine oil dipstick handle is a loop. See *Engine Compartment Overview on page 10-3* for the location of the engine oil dipstick.

Obtaining an accurate oil level reading is essential:

1. Turn off the engine and allow at least five minutes for the oil to drain back into the oil pan. With a cool engine, allow 30 minutes. Checking the oil level too soon after engine shutoff will not provide an accurate oil level reading.

**Warning**

The engine oil dipstick handle may be hot; it could burn you. Use a towel or glove to touch the dipstick handle.

- Pull out the dipstick and wipe it with a clean paper towel or a cloth, then push it back in all the way. Remove it again, keeping the tip down.

**When to Add Engine Oil**

If the oil is below the cross-hatched area at the tip of the dipstick, add 1 L (1 qt) of the recommended oil and then recheck the level. See “Selecting the Right Engine Oil” in this section for an explanation of

what kind of oil to use. For engine oil crankcase capacity, see *Capacities and Specifications on page 12-2*.

**Caution**

Do not add too much oil. Oil levels above or below the acceptable operating range shown on the dipstick are harmful to the engine. If you find that you have an oil level above the operating range, i.e., the engine has so much oil that the oil level gets above the cross-hatched area that shows the proper operating range, the engine could be damaged. You should drain out the excess oil or limit driving of the vehicle and seek a service professional to remove the excess amount of oil.

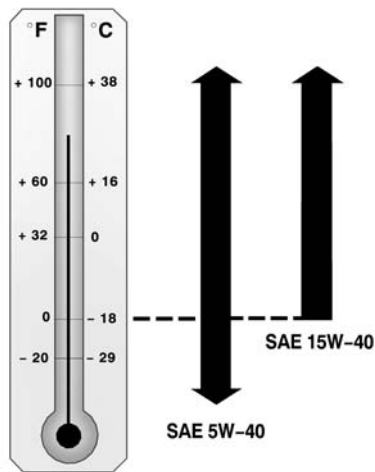
See *Engine Compartment Overview on page 10-3* for the location of the engine oil fill cap.

Be sure to add enough oil to put the level somewhere in the proper operating range. Push the dipstick all the way back in when through.

**Selecting the Right Engine Oil Specification**

Oils designated as API CJ-4 are required for the vehicle. The CJ-4 designation can appear either alone or in combination with other American Petroleum Institute (API) designations, such as API CJ-4/SL. These letters show API levels of quality.





American Petroleum Institute (API) symbol

This doughnut-shaped logo (symbol) is used on most oil containers to help you select the correct oil. It means that the oil has been certified by the American Petroleum Institute.

Look for this on the oil container, and use only those oils that display this logo.

### **Caution**

Use only engine oils that have the designation CJ-4 for the diesel engine. Failure to use the recommended oil can damage the DPF and result in engine damage not covered by the vehicle warranty.

### **Viscosity Grade**

Use SAE 15W-40 viscosity grade engine oil.

When it is very cold, below  $-18^{\circ}\text{C}$  ( $0^{\circ}\text{F}$ ), use SAE 5W-40 to improve cold starting. These numbers on the oil container show its viscosity, or thickness.

When selecting an oil of the appropriate viscosity grade, always select an oil of the correct specification. See "Specification" earlier in this section.

## Engine Oil Additives/Engine Oil Flushes

Do not add anything to the oil. The recommended oils with the API service symbol are all that is needed for good performance and engine protection.

Engine oil system flushes are not recommended and could cause engine damage not covered by the vehicle warranty.

## What to Do with Used Oil

Used engine oil contains certain elements that can be unhealthy for your skin and could even cause cancer. Do not let used oil stay on your skin for very long. Clean your skin and nails with soap and water, or a good hand cleaner. Wash or properly dispose of clothing or rags containing used engine oil. See the manufacturer's warnings about the use and disposal of oil products.

Used oil can be a threat to the environment. If you change your own oil, be sure to drain all the oil

from the filter before disposal. Never dispose of oil by putting it in the trash or pouring it on the ground, into sewers, or into streams or bodies of water. Recycle it by taking it to a place that collects used oil.

## Engine Oil Life System

The engine oil life system calculates engine oil life based on vehicle use and displays the CHANGE ENGINE OIL SOON message when it is time to change the engine oil and filter. The oil life system should be reset to 100% only following an oil change. See "Engine Oil Life System" in the owner manual.

## Automatic Transmission Fluid

### When to Check and Change (Pickup Models)

Change the fluid and filter at the intervals listed. See *Maintenance Schedule on page 11-3*.

And be sure to use the transmission fluid listed in *Recommended Fluids and Lubricants on page 11-8*.

### How to Check

Because this operation can be a little difficult, the decision may be made to have this done at the dealer.

If the decision is made to perform this operation, be sure to follow all the instructions here, or a false reading on the dipstick could result.

### Caution

Too much or too little fluid can damage the transmission. Too much can mean that some of the fluid could come out and fall on hot engine parts or exhaust system parts, starting a fire. Too little fluid could cause the transmission to overheat. Be sure to get an accurate reading if checking the transmission fluid.

## 10-10 Vehicle Care

Wait at least 30 minutes before checking the transmission fluid level if the vehicle has been driven:

- When outside temperatures are above 32°C (90°F).
- At high speed for quite a while.
- In heavy traffic — especially in hot weather.
- While pulling a trailer.

### Checking the Fluid Level

Prepare the vehicle as follows:

- Park the vehicle on a level place. Keep the engine running.
- With the parking brake applied, place the shift lever in P (Park).
- With a foot on the brake pedal, run the engine for at least one minute and shift to D (Drive). Then shift to N (Neutral) and then R (Reverse) to fill the hydraulic system. Then, put the shift lever in P (Park).

- Allow the engine to run at idle (500 – 800 rpm). Slowly release the brake pedal.

Then, without shutting off the engine, follow these steps:

### Cold Check Procedure



The purpose of the cold check is to determine if the transmission has enough fluid to be operated safely until a hot check can be made. The fluid level rises as fluid temperature increases. DO NOT fill above the COLD band if the transmission fluid is below normal operating temperatures.

1. Pull out the dipstick and wipe it with a clean rag or paper towel. The transmission dipstick is located near the center of the

engine compartment. See *Engine Compartment Overview on page 10-3* for location.

2. Push it back in all the way, wait three seconds, and then pull it back out again.
3. Check the fluid level reading. Repeat the check procedure to verify the reading.
4. If the fluid level is within the COLD band, the transmission may be operated until the fluid is hot enough to perform a hot check. If the fluid level is not within the COLD band, add or drain fluid as necessary to bring the level into the middle of the COLD band.
5. Perform a hot check at the first opportunity after the normal operating temperature of 71°C (160°F) to 93°C (200°F) is reached.
6. If the fluid level is in the acceptable range, push the dipstick back in all the way.

### Hot Check Procedure

The fluid must be hot to ensure an accurate check. The fluid level rises as temperature increases.

1. Operate the transmission in D (Drive) until the normal operating temperature of 71°C (160°F) to 93°C (200°F) is reached.
2. Pull out the dipstick and wipe it with a clean rag or paper towel.
3. Push it back in all the way, wait three seconds and then pull it back out again. Repeat the check procedure to verify the reading.
4. Safe operating level is within the HOT band on the dipstick. The width of the HOT band represents approximately 1.0 L (1.06 qt) of fluid at normal operating temperature.
5. If the fluid level is not within the HOT band, add or drain fluid as necessary to bring the fluid level to within the HOT band.

6. If the fluid level is in the acceptable range, push the dipstick back in all the way.

### Consistency of Readings

Always check the fluid level at least twice using the procedures described previously. Consistency is important to maintaining proper fluid level. If inconsistent readings persist, check the transmission breather to be sure it is clean and unclogged. If readings are still inconsistent, contact the dealer.

### How to Add Fluid

In cold operation, Allison recommends using Synthetic Transmission Fluid approved to Allison Transmission specification TES-295 in areas where the minimum ambient temperatures are below -40°C (-40°F).

Refer to the Maintenance Schedule to determine what kind of transmission fluid to use. See *Recommended Fluids and Lubricants on page 11-8*.

Add fluid only after checking the transmission fluid while it is hot. A cold check is used only as a reference. If the fluid level is low, add only enough of the proper fluid to bring the level up to the HOT area for a hot check. It does not take much fluid, generally less than 0.5 L (1 pt). Do not overfill.

### Caution

Use of the incorrect automatic transmission fluid may damage the vehicle, and the damage may not be covered by the vehicle warranty. Always use the automatic transmission fluid listed in *Recommended Fluids and Lubricants on page 11-8*.

- After adding fluid, recheck the fluid level as described under “How to Check.”
- When the correct fluid level is obtained, push the dipstick back in all the way.

### When to Check and Change (Van Models)

Change the fluid and filter at the intervals listed. See *Maintenance Schedule on page 11-3*.

Use the transmission fluid listed in *Recommended Fluids and Lubricants on page 11-8*.

### How to Check

Because this operation can be a little difficult, the decision may be made to have this done at the dealership service department.

If the decision is made to perform this operation, be sure to follow all the instructions here, or a false reading on the dipstick could result.

#### **Caution**

Too much or too little fluid can damage the transmission. Too much can mean that some of the fluid could come out and fall on

(Continued)

#### **Caution (Continued)**

hot engine parts or exhaust system parts, starting a fire. Too little fluid could cause the transmission to overheat. Be sure to get an accurate reading if checking the transmission fluid.

Wait at least 30 minutes before checking the transmission fluid level if the vehicle has been driven:

- When outside temperatures are above 32° C (90°F).
- At high speed for quite a while.
- In heavy traffic — especially in hot weather.
- While pulling a trailer.

To get the right reading, the fluid should be at normal operating temperature, which is 82°C to 93°C (180°F to 200°F). Get the vehicle warmed up by driving about 24 km (15 mi) when outside temperatures are above 10°C (50°F). If it is colder

than 10°C (50°F), drive the vehicle until the engine temperature gauge moves and then remains steady for 10 minutes.

A cold check can be made after the vehicle has been sitting for eight hours or more with the engine off, but this is used only as a reference. Let the engine run at idle for five minutes if outside temperatures are 10°C (50°F) or more. If it is colder than 10°C (50°F), the engine may have to idle longer. Should the fluid level be low during this cold check, the fluid must be checked when hot before adding fluid. Checking the fluid hot will give you a more accurate reading of the fluid level.

### Checking the Fluid Level

Prepare the vehicle as follows:

- Park the vehicle on a level place. Keep the engine running.
- With the parking brake applied, place the shift lever in P (Park).

- With a foot on the brake pedal, move the shift lever through each gear range, pausing for about three seconds in each range. Then, position the shift lever in P (Park).
- Let the engine run at idle for three minutes or more.

Then, without shutting off the engine, follow these steps:



The transmission dipstick is located near the center of the engine compartment and will be labeled with the graphic shown.

See *Engine Compartment Overview* on page 10-3 for location.

1. Flip the handle up and then pull out the dipstick and wipe it with a clean rag or paper towel.

2. Push it back in all the way, wait three seconds, and then pull it back out again.



Check both sides of the dipstick, and read the lower level. The fluid level must be in the COLD area for a cold check or in the HOT or cross-hatched area for a hot check. Be sure to keep the dipstick pointed down to get an accurate reading.

3. If the fluid level is in the acceptable range, push the dipstick in all the way, then flip the handle down to lock the dipstick in place.

## What Transmission Fluid to Use

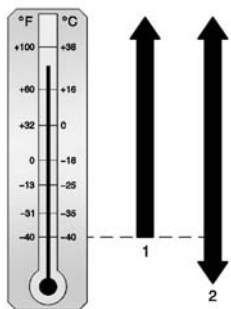
### Cold Operation

When temperatures are very cold, the transmission will prevent certain operations to protect against damage. The information below shows shift range availability based on transmission oil temperatures:

- All shift ranges available at  $-25^{\circ}\text{C}$  ( $-13^{\circ}\text{F}$ ) or above.
- 2 (Second) and 3 (Third) shift ranges only at  $-35^{\circ}\text{C}$  ( $-31^{\circ}\text{F}$ ) to  $-25^{\circ}\text{C}$  ( $-13^{\circ}\text{F}$ ).
- 2 (Second) shift range only at  $-35^{\circ}\text{C}$  ( $-31^{\circ}\text{F}$ ) or lower.

Torque converter clutch operation will also be prevented when air or transmission oil temperatures are below certain levels.

Transmission shifting might be firmer with a cold transmission. This difference in shift quality is normal.



1. For areas where ambient temperatures stay above  $-40^{\circ}\text{C}$  ( $-40^{\circ}\text{F}$ ), regular transmission fluid can be used. See *Recommended Fluids and Lubricants on page 11-8*.
2. For areas where ambient temperatures fall below  $-40^{\circ}\text{C}$  ( $-40^{\circ}\text{F}$ ), synthetic transmission fluid approved to Allison Transmission Specification should be used. See *Recommended Fluids and Lubricants on page 11-8*. The

synthetic transmission fluid can be used for all temperature ranges.

### How to Add Fluid

See *Maintenance Schedule on page 11-3* to determine what kind of transmission fluid to use. See *Recommended Fluids and Lubricants on page 11-8*.

Using a funnel, add fluid down the transmission dipstick tube only after checking the transmission fluid while it is hot. A cold check is used only as a reference. If the fluid level is low, add only enough of the proper fluid to bring the level up to the HOT area for a hot check. It does not take much fluid, generally less than 0.5 L (1 pt). Do not overfill.

### Caution

Use of the incorrect automatic transmission fluid may damage the vehicle, and the damage may not be covered by the vehicle warranty. Always use the automatic transmission fluid listed in *Recommended Fluids and Lubricants on page 11-8*.

- After adding fluid, recheck the fluid level as described under "How to Check" earlier in this section.
- When the correct fluid level is obtained, push the dipstick back in all the way. Then flip the handle down to lock the dipstick in place.

## Engine Air Cleaner/Filter

### Pickup Models

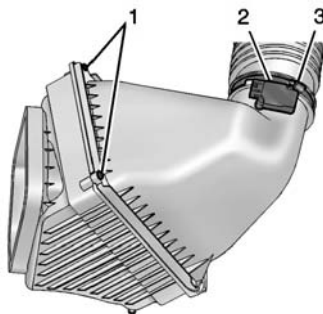
The air cleaner/filter assembly is on the front corner of the engine compartment on the passenger side of the vehicle.

### When to Inspect the Engine Air Cleaner/Filter

Inspect the air cleaner/filter every 25 000 km (15,000 mi) and replace the filter if necessary.

### How to Inspect the Engine Air Cleaner/Filter

To inspect the air cleaner/filter, remove the engine air cleaner/filter by following Steps 1-9. When the engine air cleaner/filter is removed, lightly shake it to release loose dust and dirt. If the engine air cleaner/filter remains covered with dirt, a new filter is required. Never use compressed air to clean the filter.



1. Cover Screws
2. Cover Electrical Connectors
3. Clamp

To inspect and replace the filter:

1. Disconnect the harness connectors from the air cleaner cover electrical connector (2).
2. Loosen the screw on the clamp (3) holding the air outlet duct in place. Do not remove the clamp. Move the air duct aside.
3. Remove the two air cleaner housing cover screws (1).

4. Raise the air cleaner housing cover and remove the air cleaner/filter from the air cleaner housing. Take care to dislodge as little dirt as possible.
5. Clean the filter sealing surface and the housing.
6. Install the new engine air cleaner/filter.
7. Lower the air cleaner housing cover and secure with the two screws.
8. Install the air duct and tighten the screw on the clamp to secure it to the air cleaner housing.
9. Install the harness electrical connectors.

See *Maintenance Schedule on page 11-3* to determine when to replace the engine air cleaner/filter.



### Warning

Operating the engine with the air cleaner/filter off can cause you or others to be burned. The air cleaner not only cleans the air; it helps to stop flames if the engine backfires. Use caution when working on the engine and do not drive with the air cleaner/filter off.

### Caution

If the air cleaner/filter is off, dirt can easily get into the engine, which could damage it. Always have the air cleaner/filter in place when you are driving.

### Van Models



The air cleaner/filter assembly may have an air cleaner/filter restriction indicator that shows when the engine air cleaner/filter is dirty and needs to be serviced.

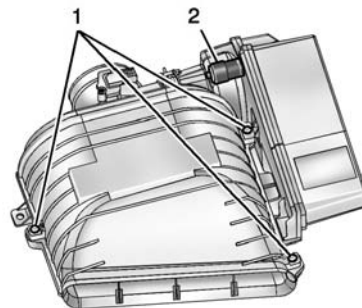
The air cleaner/filter restriction indicator is on the air cleaner resonator.

### When to Inspect the Engine Air Cleaner/Filter

See *Maintenance Schedule* on page 11-3.

### How to Inspect the Engine Air Cleaner/Filter

When the restriction indicator is in the red/orange “change” zone, replace the filter and reset the restriction indicator. The air cleaner/filter assembly is at the front of the engine compartment.



1. Cover Screws
2. Restriction Indicator

To inspect and replace the filter and reset the restriction indicator:

1. Loosen the screws (1) on the cover of the housing and lift up the cover.
2. Remove the air cleaner/filter from the housing. Take care to dislodge as little dirt as possible.
3. Clean the filter sealing surface and the housing.
4. Install the new engine air cleaner/filter.
5. Reinstall the cover and tighten the screws.
6. Reset the air cleaner/filter restriction indicator (2), if equipped, by pressing the top button on the indicator.

See *Maintenance Schedule* on page 11-3 to determine when to replace the engine air cleaner/filter.

**Warning**

Operating the engine with the air cleaner/filter off can cause you or others to be burned. The air cleaner not only cleans the air; it helps to stop flames if the engine backfires. Use caution when working on the engine and do not drive with the air cleaner/filter off.

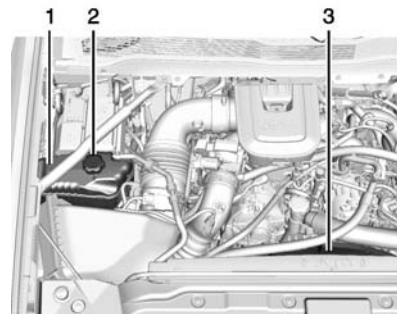
**Caution**

If the air cleaner/filter is off, dirt can easily get into the engine, which could damage it. Always have the air cleaner/filter in place when you are driving.

**Cooling System**

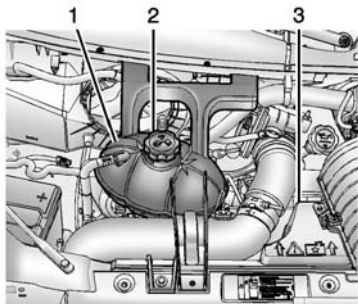
The cooling system allows the engine to maintain the correct working temperature.

**Pickup Models**



1. Coolant Surge Tank
2. Coolant Surge Tank Pressure Cap
3. Engine Cooling Fan (Out of View)

### Van Models



1. Coolant Surge Tank
2. Coolant Surge Tank Pressure Cap
3. Engine Cooling Fan (Out of View)

#### Warning

Heater and radiator hoses, and other engine parts, can be very hot. Do not touch them. If you do, you can be burned.

Do not run the engine if there is a leak. If you run the engine, it could lose all coolant. That could cause an engine fire, and you could be burned. Get any leak fixed before you drive the vehicle.

#### Caution

Using coolant other than DEX-COOL<sup>®</sup> can cause premature engine, heater core, or radiator corrosion. In addition, the engine coolant could require changing sooner. Any repairs would not be covered by the

(Continued)

#### Caution (Continued)

vehicle warranty. Always use DEX-COOL (silicate-free) coolant in the vehicle.

### Engine Coolant

The cooling system in the vehicle is filled with DEX-COOL<sup>®</sup> engine coolant. This coolant is designed to remain in the vehicle for 5 years or 240 000 km (150,000 mi), whichever occurs first, if you add only DEX-COOL extended life coolant.

The following explains the cooling system and how to add coolant when it is low. If there is a problem with engine overheating, see *Engine Overheating on page 10-23*.

A 50/50 mixture of clean, drinkable water and DEX-COOL coolant will:

- Give freezing protection down to  $-37^{\circ}\text{C}$  ( $-34^{\circ}\text{F}$ ).
- Give boiling protection up to  $129^{\circ}\text{C}$  ( $265^{\circ}\text{F}$ ).

- Protect against rust and corrosion.
- Help keep the proper engine temperature.
- Let the warning lights and gauges work as they should.

 **Caution**

Using coolant other than DEX-COOL<sup>®</sup> can cause premature engine, heater core, or radiator corrosion. In addition, the engine coolant could require changing sooner. Any repairs would not be covered by the vehicle warranty. Always use DEX-COOL (silicate-free) coolant in the vehicle.

**What to Use**

Use a 50/50 mixture of clean, drinkable water and DEX-COOL coolant which will not damage

aluminum parts. If using this mixture, nothing else needs to be added.

 **Warning**

Adding only plain water or some other liquid to the cooling system can be dangerous. Plain water and other liquids, can boil before the proper coolant mixture will. The vehicle's coolant warning system is set for the proper coolant mixture. With plain water or the wrong mixture, the engine could get too hot but you would not get the overheat warning. The engine could catch fire and you or others could be burned. Use a 50/50 mixture of clean, drinkable water and DEX-COOL coolant.

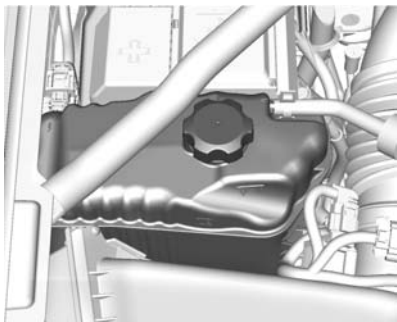
If coolant has to be added more than four times a year, have the dealer check the vehicle cooling system.

 **Caution**

If improper coolant mixture, inhibitors, or additives are used in the vehicle cooling system, the engine could overheat and be damaged. Too much water in the mixture can freeze and crack engine cooling parts. The repairs would not be covered by the vehicle warranty. Use only the proper mixture of engine coolant for the cooling system. See *Recommended Fluids and Lubricants on page 11-8.*

Never dispose of engine coolant by putting it in the trash, or by pouring it on the ground, or pouring into sewers, streams, or bodies of water. Have the coolant changed by an authorized service center, familiar with legal requirements regarding used coolant disposal. This will help protect the environment and your health.

### Checking Coolant (Pickup Models)



The coolant surge tank is in the engine compartment on the passenger side of the vehicle. See *Engine Compartment Overview* on page 10-3 for location.

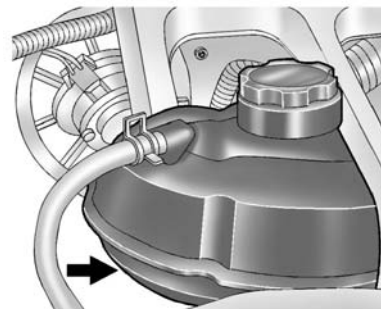
The coolant surge tank is divided into two sides. The pressurized side (engine side) should be completely full, while the non-pressurized side (fender side) will be significantly lower, depending on the operating temperature.

#### **Warning**

Turning the surge tank pressure cap when the engine and radiator are hot can allow steam and scalding liquids to blow out and burn you badly. Never turn the surge tank pressure cap — even a little — when the engine and radiator are hot.

The vehicle must be on a level surface. When the engine is cold, the coolant level should be at or above the MIN mark.

### Checking Coolant (Van Models)



The coolant surge tank is near the center of the engine compartment. See *Engine Compartment Overview* on page 10-3 for location.

#### **Warning**

Turning the surge tank pressure cap when the engine and radiator are hot can allow steam and scalding liquids to blow out and burn you badly. Never turn the

(Continued)

**Warning (Continued)**

surge tank pressure cap — even a little — when the engine and radiator are hot.

The vehicle must be on a level surface. When the engine is cold, the coolant level should be at the COLD FILL mark.

**Adding Coolant (Pickup and Van Models)**

**⚠ Caution**

If coolant is changed or added, always add enough to fill the system completely or engine damage may occur.

If more coolant is needed, add the proper DEX-COOL coolant mixture at the surge tank, but be careful not to spill it.

**⚠ Warning**

You can be burned if you spill coolant on hot engine parts. Coolant contains ethylene glycol and it will burn if the engine parts are hot enough. Do not spill coolant on a hot engine.

**⚠ Caution**

This vehicle has a specific coolant fill procedure. Failure to follow this procedure could cause the engine to overheat and be severely damaged.

**⚠ Warning**

Steam and scalding liquids from a hot cooling system can blow out and burn you badly. They are

(Continued)

**Warning (Continued)**

under pressure, and if you turn the coolant surge tank pressure cap — even a little — they can come out at high speed. Never turn the cap when the cooling system, including the coolant surge tank pressure cap, is hot. Wait for the cooling system and coolant surge tank pressure cap to cool if you ever have to turn the pressure cap.

If no coolant is visible in the surge tank, add coolant as follows:



## 10-22 Vehicle Care

---

1. Remove the coolant surge tank pressure cap when the cooling system, including the coolant surge tank pressure cap and upper radiator hose, is no longer hot.

Turn the pressure cap slowly counterclockwise about one full turn. If a hiss is heard, wait for that to stop. A hiss means there is still some pressure left.

2. Keep turning the pressure cap slowly, and remove it.
3. Slowly fill the coolant surge tank. Do not let the coolant level go above the seam in the tank until after the engine comes to operating temperature in Step 4.

4. With the coolant surge tank pressure cap off, start the engine and let it run until the engine coolant temperature gauge indicates approximately 90°C (195°F).

By this time, the coolant level inside the coolant surge tank may be lower. If the level is lower, slowly add more of the proper mixture to the coolant surge tank until it reaches the proper level.

On pickup models, slowly continue to add coolant so it goes into the non-pressurized side (fender side) of the coolant surge tank until it reaches one-third of the capacity.

Fill the coolant surge tank to the following levels:

- At or above the MIN mark on the pickup.
- To the COLD FILL mark on the van.

5. Replace the pressure cap. Be sure the pressure cap is hand-tight and fully seated.
6. Verify coolant level after the engine is shut off and the coolant is cold. If necessary, repeat coolant fill procedure Steps 1–6.

If the coolant level is still low after having followed these steps twice, have the coolant system checked by a certified technician at the dealer for a possible leak.

### **Caution**

If the pressure cap is not tightly installed, coolant loss and possible engine damage may occur. Be sure the cap is properly and tightly secured.

## Engine Overheating

There is an engine coolant temperature gauge on the instrument panel cluster. See the owner manual.

### If Steam Is Coming from the Engine Compartment

#### Warning

Steam from an overheated engine can burn you badly, even if you just open the hood. Stay away from the engine if you see or hear steam coming from it. Just turn it off and get everyone away from the vehicle until it cools down. Wait until there is no sign of steam or coolant before you open the hood.

If you keep driving when the engine is overheated, the liquids in it can catch fire. You or others could be badly burned. Stop the

(Continued)

#### Warning (Continued)

engine if it overheats, and get out of the vehicle until the engine is cool.

#### Caution

Running the engine without coolant may cause damage or a fire. Vehicle damage would not be covered by the vehicle warranty.

### If No Steam Is Coming from the Engine Compartment

A Driver Information Center (DIC) message, along with a low coolant condition, can indicate a serious problem.

If there is an engine overheat warning and the vehicle does not have a low coolant condition, and no steam is heard or seen, the problem may not be too serious. Sometimes the engine can get a little too hot when the vehicle:

- Climbs a long hill on a hot day.
- Stops after high-speed driving.
- Idles for long periods in traffic.
- Tows a trailer. See “Driving on Grades” in the owner manual.

If the DIC message comes on with no sign of steam, try this for a minute or so:

1. In heavy traffic, let the engine idle in N (Neutral) while stopped. If it is safe to do so, pull off the road, shift to P (Park) or N (Neutral), and let the engine idle.
2. Turn on the heater to full hot at the highest fan speed and open the window as necessary.



## 10-24 Vehicle Care

---

If the vehicle no longer has the overheat warning, the vehicle can be driven. Just to be safe, drive slower for about 10 minutes. If the warning does not come back on, drive normally and have the cooling system checked for proper fill and function.

If the warning continues, pull over, stop, and park the vehicle right away.

If there is still no sign of steam and the vehicle is equipped with an engine driven cooling fan, push down the accelerator until the engine speed is about twice as fast as normal idle speed for at least five minutes while the vehicle is parked. If the warning is still there, turn off the engine and get everyone out of the vehicle until it cools down.

The decision may be made not to lift the hood, but to get service help right away.

# Service and Maintenance

## General Information

General Information ..... 11-1

## Maintenance Schedule

Maintenance Schedule ..... 11-3

## Special Application Services

Special Application  
Services ..... 11-7

## Recommended Fluids

Recommended Fluids and  
Lubricants ..... 11-8  
Maintenance Replacement  
Parts ..... 11-11

## Maintenance Records

Maintenance Records ..... 11-12

## General Information

This maintenance section applies to vehicles with a diesel engine. For gasoline engine vehicles, see the maintenance schedule section in the owner manual.

Your vehicle is an important investment. This section describes the required maintenance for the vehicle. Follow this schedule to help protect against major repair expenses resulting from neglect or inadequate maintenance. It may also help to maintain the value of the vehicle if it is sold. It is the responsibility of the owner to have all required maintenance performed.

Your dealer has trained technicians who can perform required maintenance using genuine replacement parts. They have up-to-date tools and equipment for fast and accurate diagnostics. Many dealers have extended evening and Saturday hours, courtesy

transportation, and online scheduling to assist with service needs.

Your dealer recognizes the importance of providing competitively priced maintenance and repair services. With trained technicians, the dealer is the place for routine maintenance such as oil changes and tire rotations and additional maintenance items like tires, brakes, batteries, and wiper blades.

 **Caution**

Damage caused by improper maintenance can lead to costly repairs and may not be covered by the vehicle warranty. Maintenance intervals, checks, inspections, recommended fluids, and lubricants are important to keep the vehicle in good working condition.

## 11-2 Service and Maintenance

The Tire Rotation and Required Services are the responsibility of the vehicle owner. It is recommended to have your dealer perform these services every 12 000 km/7,500 mi. Proper vehicle maintenance helps to keep the vehicle in good working condition, improves fuel economy, and reduces vehicle emissions.

Because of the way people use vehicles, maintenance needs vary. There may need to be more frequent checks and services. The Additional Required Services - Normal are for vehicles that:

- Carry passengers and cargo within recommended limits on the Tire and Loading Information label. See "Vehicle Load Limits" in the owner manual.
- Are driven on reasonable road surfaces within legal driving limits.
- Use the recommended fuel. See *Fuel for Diesel Engines on page 9-21*.

Refer to the information in the Maintenance Schedule Additional Required Services - Normal chart.

The Additional Required Services - Severe are for vehicles that are:

- Mainly driven in heavy city traffic in hot weather.
- Mainly driven in hilly or mountainous terrain.
- Frequently towing a trailer.
- Used for high speed or competitive driving.
- Used for taxi, police, or delivery service.

Refer to the information in the Maintenance Schedule Additional Required Services - Severe chart.

### Warning

Performing maintenance work can be dangerous and can cause serious injury. Perform maintenance work only if the required information, proper tools, and equipment are available. If they are not, see your dealer to have a trained technician do the work. See "Doing Your Own Service Work" in the owner manual.

## Maintenance Schedule

### Owner Checks and Services

#### At Each Fuel Stop

- Check the engine oil level. See *Engine Oil on page 10-6*.

#### Once a Month

- Check the tire inflation pressures. See “Tire Pressure” in the owner manual.
- Inspect the tires for wear. See “Tire Inspection” in the owner manual.
- Check the windshield washer fluid level. See “Washer Fluid” in the owner manual.

### Engine Oil Change

When the CHANGE ENGINE OIL SOON message displays, have the engine oil and filter changed within the next 1 000 km/600 mi. If driven under the best conditions, the engine oil life system might not

indicate the need for vehicle service for more than a year. The engine oil and filter must be changed at least once a year and the oil life system must be reset. Your trained dealer technician can perform this work. If the engine oil life system is reset accidentally, service the vehicle within 5 000 km/3,000 mi since the last service. Reset the oil life system when the oil is changed. See *Engine Oil Life System on page 10-9*.

### Tire Rotation and Required Services Every 12 000 km/ 7,500 mi

Rotate the tires, if recommended for the vehicle, and perform the following services. See “Tire Rotation” in the owner manual.

- Check engine oil level and oil life percentage. If needed, change engine oil and filter, and reset oil life system. See *Engine Oil on page 10-6* and *Engine Oil Life System on page 10-9*.

- Check engine coolant level. See *Engine Coolant on page 10-18*.
- Check windshield washer fluid level. See “Washer Fluid” in the owner manual.
- Visually inspect windshield wiper blades for wear, cracking, or contamination. See “Exterior Care” in the owner manual. Replace worn or damaged wiper blades. See “Wiper Blade Replacement” in the owner manual.
- Check tire inflation pressures. See “Tire Pressure” in the owner manual.
- Inspect tire wear. See “Tire Inspection” in the owner manual.
- Visually check for fluid leaks.
- Inspect engine air cleaner filter. See *Engine Air Cleaner/Filter on page 10-15*.
- Inspect brake system.

## 11-4 Service and Maintenance

---

- Visually inspect steering, suspension, and chassis components for damaged, loose, or missing parts or signs of wear. See “Exterior Care” in the owner manual. Lubricate the suspension and steering components at least every other oil change (If equipped with grease fittings).
- Check restraint system components. See “Safety System Check” in the owner manual.
- Visually inspect fuel system for damage or leaks.
- Visually inspect exhaust system and nearby heat shields for loose or damaged parts.
- Lubricate body components. See “Exterior Care” in the owner manual.
- Check starter switch. See “Starter Switch Check” in the owner manual.
- Check automatic transmission shift lock control function. See “Automatic Transmission Shift Lock Control Function Check” in the owner manual.
- Check ignition transmission lock. See “Ignition Transmission Lock Check” in the owner manual.
- Check parking brake and automatic transmission park mechanism. See “Park Brake and P (Park) Mechanism Check” in the owner manual.
- Check accelerator pedal for damage, high effort, or binding. Replace if needed.
- Visually inspect gas strut for signs of wear, cracks, or other damage. Check the hold open ability of the strut. See your dealer if service is required.
- Pickup models: Inspect sunroof track and seal, if equipped. See “Sunroof” in the owner manual.
- Pickup models: Verify spare tire key lock operation and lubricate as needed. See “Tire Changing” in the owner manual.

Maintenance Schedule Additional Required Services - Normal	12 000 km/7,500 mi	24 000 km/15,000 mi	36 000 km/22,500 mi	48 000 km/30,000 mi	60 000 km/37,500 mi	72 000 km/45,000 mi	84 000 km/52,500 mi	96 000 km/60,000 mi	108 000 km/67,500 mi	120 000 km/75,000 mi	132 000 km/82,500 mi	144 000 km/90,000 mi	156 000 km/97,500 mi	168 000 km/105,000 mi	180 000 km/112,500 mi	192 000 km/120,000 mi	204 000 km/127,500 mi	216 000 km/135,000 mi	228 000 km/142,500 mi	240 000 km/150,000 mi
Rotate tires and perform Required Services. Check engine oil level and oil life percentage. Change engine oil and filter, if needed.	✓	✓	✓	✓	✓	✓	✓	✓	✓	✓	✓	✓	✓	✓	✓	✓	✓	✓	✓	✓
Replace engine air cleaner filter. (1)						✓						✓							✓	
Change automatic transmission fluid and filter. Filter is external on pickups and internal on vans.													✓							
Change automatic transmission external filter - pickup only.						✓														✓
Drain and fill engine cooling system. (2)																				✓
Visually inspect accessory drive belts. (3)																				✓
Replace brake fluid. (4)																				✓

**Footnotes — Maintenance Schedule Additional Required Services - Normal**

(1) Or every four years, whichever comes first.

(2) Or every five years, whichever comes first. See *Cooling System* on page 10-17.

(3) Or every 10 years, whichever comes first. Inspect for fraying, excessive cracking, or damage; replace, if needed.

(4) Or every 10 years, whichever comes first.

## 11-6 Service and Maintenance

Maintenance Schedule Additional Required Services - Severe	12 000 km/7,500 mi	24 000 km/15,000 mi	36 000 km/22,500 mi	48 000 km/30,000 mi	60 000 km/37,500 mi	72 000 km/45,000 mi	84 000 km/52,500 mi	96 000 km/60,000 mi	108 000 km/67,500 mi	120 000 km/75,000 mi	132 000 km/82,500 mi	144 000 km/90,000 mi	156 000 km/97,500 mi	168 000 km/105,000 mi	180 000 km/112,500 mi	192 000 km/120,000 mi	204 000 km/127,500 mi	216 000 km/135,000 mi	228 000 km/142,500 mi	240 000 km/150,000 mi
Rotate tires and perform Required Services. Check engine oil level and oil life percentage. Change engine oil and filter, if needed.	✓	✓	✓	✓	✓	✓	✓	✓	✓	✓	✓	✓	✓	✓	✓	✓	✓	✓	✓	✓
Replace engine air cleaner filter. (1)						✓						✓							✓	
Change automatic transmission fluid and filter. Filter is external on pickups and internal on vans.						✓						✓							✓	
Change automatic transmission external filter - pickup only.						✓														✓
Drain and fill engine cooling system. (2)																				✓
Visually inspect accessory drive belts. (3)																				✓
Replace brake fluid. (4)																				✓

### Footnotes — Maintenance Schedule Additional Required Services - Severe

(1) Or every four years, whichever comes first.

(2) Or every five years, whichever comes first. See *Cooling System* on page 10-17.

(3) Or every 10 years, whichever comes first. Inspect for fraying, excessive cracking, or damage; replace, if needed.

(4) Or every 10 years, whichever comes first.

## Special Application Services

- Severe Commercial Use Vehicles Only: Lubricate chassis components every 5 000 km/ 3,000 mi.
- Have underbody flushing service performed once a year.

### For Pickups

Replace the fuel filter when the CHANGE FUEL FILTER message in the Driver Information Center (DIC) comes on. See *Fuel System Messages on page 5-13*. If the fuel filter has not been replaced, or if the vehicle has been driven 36 000 km/ 22,500 mi or more since the fuel filter was last replaced, replace the filter and reset the message. The diesel fuel filter may need to be replaced more frequently, based on biodiesel usage, driving in severe dust climate or off-road driving or towing a trailer for extended periods. The fuel filter should be replaced at least every 2 years.

### For Vans

Replace the fuel filter when the CHANGE FUEL FILTER message in the Driver Information Center (DIC) comes on. See *Fuel System Messages on page 5-13*. If the fuel filter has not been replaced, or if the vehicle has been driven 22,500 miles (36,000 KM) or more since the fuel filter was last replaced, replace the filter and reset the message. The diesel fuel filter may need to be replaced more frequently, based on biodiesel usage, driving in severe dust climate or off-road driving or towing a trailer for extended periods. The fuel filter should be replaced at least every 2 years. Also, inspect and clean the fuel pump screen, if necessary, at each fuel filter inspection or replacement.



## 11-8 Service and Maintenance

---

### Recommended Fluids

#### Recommended Fluids and Lubricants

Fluids and lubricants identified below by name, part number, or specification can be obtained from your dealer.

Usage	Fluid/Lubricant
Engine Oil	Engine oils with the letters CJ-4 are required for your vehicle. The CJ-4 designation can appear either alone or in combination with other American Petroleum Institute (API) designations, such as API CJ-4/SL. These letters show API levels of quality. To determine the preferred viscosity for your vehicle's diesel engine, see <i>Engine Oil on page 10-6</i> .
Engine Coolant	50/50 mixture of clean, drinkable water and use only DEX-COOL <sup>®</sup> coolant. See <i>Engine Coolant on page 10-18</i> .
Hydraulic Brake System	DOT 3 Hydraulic Brake Fluid (GM Part No. 19299818, in Canada 19299819).
Windshield Washer	Automotive windshield washer fluid that meets regional freeze protection requirements.
Diesel Exhaust Aftertreatment System	Diesel Exhaust Fluid (GM Part No. 19286291, in Canada 88862660) or diesel exhaust fluid that meets ISO 22241-1 or displays the API Diesel Exhaust Fluid Certification Mark.
Van Models: Parking Brake Cable Guides	Chassis Lubricant (GM Part No. 12377985, in Canada 88901242) or lubricant meeting requirements of NLGI #2, Category LB or GC-LB.
Power Steering System	GM Power Steering Fluid (GM Part No. 89021185, in Canada 89021186).

<b>Usage</b>	<b>Fluid/Lubricant</b>
Automatic Transmission	DEXRON®-VI Automatic Transmission Fluid. Allison Transmission Only: For areas where ambient temperatures are below -40°C (-40°F) use Synthetic Transmission Fluid approved to Allison Transmission specification TES-295 (GM Part No. 12378515, in Canada 88900701).
Key Lock Cylinders	Multi-Purpose Lubricant, Superlube (GM Part No. 12346241, in Canada 10953474).
Pickup Models: Floor Shift Linkage	Lubriplate Lubricant Aerosol (GM Part No. 89021668, in Canada 89021674) or lubricant meeting requirements of NLGI #2 Category LB or GC-LB.
Chassis Lubrication	Chassis Lubricant (GM Part No. 12377985, in Canada 88901242) or lubricant meeting requirements of NLGI #2, Category LB or GC-LB.
Van Models: Front Wheel Bearings	Wheel bearing lubricant meeting requirements of NLGI #2, Category GC or GC-LB (GM Part No. 1051344, in Canada 993037).
Front and Rear Axle	SAE 75W-90 Synthetic Axle Lubricant (GM Part No. 89021677, in Canada 89021678).
Van Models: One-Piece Propshaft Slip Yoke Spline, Two-Piece Propshaft Slip-in-Tube Spline	Spline Lubricant, Special Lubricant (GM Part No. 19257121, in Canada 19257122).
Pickup Models: Front Axle Propshaft Spline	Spline Lubricant, Special Lubricant (GM Part No. 19257121, in Canada 19257122).

## 11-10 Service and Maintenance

---

<b>Usage</b>	<b>Fluid/Lubricant</b>
Pickup Models: Rear Driveline Center Spline	Chassis Lubricant (GM Part No. 12377985, in Canada 88901242) or lubricant meeting requirements of NLGI #2, Category LB or GC-LB.
Hood Hinges	Multi-Purpose Lubricant, Superlube (GM Part No. 12346241, in Canada 10953474).
Pickup Models: Body Door Hinge Pins, Tailgate Hinge and Linkage, and Fuel Door Hinge	Multi-Purpose Lubricant, Superlube (GM Part No. 12346241, in Canada 10953474).
Pickup Models: Tailgate Handle Pivot Points, Hinges, Latch Bolt, and Linkage	Multi-Purpose Lubricant, Superlube (GM Part No. 12346241, in Canada 10953474).
Weatherstrip Conditioning	Weatherstrip Lubricant (GM Part No. 3634770, in Canada 10953518) or Dielectric Silicone Grease (GM Part No. 12345579, in Canada 10953481).
Weatherstrip Squeaks	Synthetic Grease with Teflon, Superlube (GM Part No. 12371287, in Canada 10953437).

## Maintenance Replacement Parts

Replacement parts identified below by name, part number, or specification can be obtained from your dealer.

Part	GM Part Number	ACDelco Part Number
Engine Air Cleaner/Filter		
Pickup Models	25945274	A3141C
Van Models	20815924	A3140C
Engine Fuel Filter	12646512	TP3012
Fuel Pump Screen Kit for Van Models	19259252	TP3017
Engine Oil Filter	88917036	PF2232
Use only the specified filters.		

## 11-12 Service and Maintenance

---

### Maintenance Records

After the scheduled services are performed, record the date, odometer reading, who performed the service, and the type of services performed in the boxes provided. Retain all maintenance receipts.

Date	Odometer Reading	Serviced By	Services Performed





## Technical Data

### Vehicle Data

Capacities and Specifications .....	12-2
Engine Drive Belt Routing ...	12-4



### Vehicle Data

#### Capacities and Specifications

The following approximate capacities are given in metric and English conversions. See *Recommended Fluids and Lubricants* on page 11-8.

Application	Capacities	
	Metric	English
Cooling System (Pickup Models)	27.0 L	28.5 qt
Cooling System (Van Models)		
Front Heat or AC Only	20.0 L	21.2 qt
Front Heat or AC Plus Fuel Operated Heater (FOH)	20.9 L	22.1 qt
Front and Rear Heat or AC Only	21.5 L	22.7 qt
Front and Rear Heat or AC Plus Fuel Operated Heater (FOH)	22.4 L	23.7 qt
Diesel Exhaust Fluid (DEF) Tank*		
Pickup Models	20.1 L	5.3 gal
Van Models	20.1 L	5.3 gal
Engine Oil with Filter	9.5 L	10.0 qt
Transmission Fluid (Pan Removal and Filter Replacement)	7.0 L	7.4 qt

Application	Capacities	
	Metric	English
*Do not overfill the DEF tank. See <i>Diesel Exhaust Fluid on page 9-13</i> .		
All quantities are approximate. When adding, be sure to fill to the appropriate level, as recommended in this manual. Recheck fluid level after filling.		

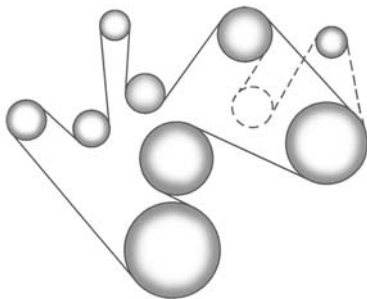
### Engine Specifications

Engine	VIN Code	Type
6.6L V8 Turbo Diesel (LGH Engine)	L	V8
6.6L V8 Turbo Diesel (LML Engine)	8	V8

## 12-4 Technical Data

---

### Engine Drive Belt Routing



**A**

Accessories and  
 Modifications ..... 10-1  
 Air Cleaner/Filter, Engine ..... 10-15  
 Automatic  
 Transmission Fluid ..... 10-9

**B**

Brake  
 Exhaust ..... 9-20

**C**

Canadian Vehicle Owners ..... ii  
 Capacities and  
 Specifications ..... 12-2  
 Check  
 Engine Light ..... 5-8  
 Cluster, Instrument ..... 5-2  
 Cold Weather Operation ..... 9-27  
 Coolant  
 Engine ..... 10-18  
 Cooling System ..... 10-17  
 Engine Messages ..... 5-12  
 Covers  
 Winter ..... 9-5

**D**

Diesel  
 Starting Your Engine ..... 9-1  
 Diesel Exhaust Fluid ..... 1-3, 9-13  
 Diesel Exhaust Fluid (DEF)  
 Warning Light ..... 5-11  
 Diesel Exhaust Fluid  
 Messages ..... 5-13  
 Diesel Particulate Filter ..... 9-11  
 Diesel Particulate Filter  
 Messages ..... 5-14  
 Drive Belt Routing, Engine ..... 12-4  
 Driver Information  
 Center (DIC) ..... 5-11

**E**

Engine  
 Air Cleaner/Filter ..... 10-15  
 Check and Service Engine  
 Soon Light ..... 5-8  
 Compartment Overview ..... 10-3  
 Coolant ..... 10-18  
 Cooling System ..... 10-17  
 Cooling System Messages ..... 5-12  
 Drive Belt Routing ..... 12-4  
 Heater ..... 9-9

Engine (cont'd)  
 Oil Life System ..... 10-9  
 Oil Messages ..... 5-13  
 Oil Pressure Gauge ..... 5-7  
 Overheating ..... 10-23  
 Power Messages ..... 5-13  
 Starting Your Diesel ..... 9-1  
 Engines  
 Diesel Fuel ..... 9-21  
 Exhaust Brake ..... 9-20  
 Exhaust Fluid  
 Diesel ..... 9-13

**F**

Filter ..... 9-11  
 Replacement (Fuel) ..... 9-33  
 Filter,  
 Engine Air Cleaner ..... 10-15  
 Fluid  
 Automatic Transmission ..... 10-9  
 Diesel Exhaust ..... 1-3  
 Fuel  
 Cold Weather Operation ..... 9-27  
 Diesel Engines ..... 9-21  
 Filling a Portable Fuel  
 Container ..... 9-37

Fuel (cont'd)	
Filling the Tank .....	9-36
Filter Replacement .....	9-33
Gauge .....	5-6
Operated Heater (FOH) .....	9-10
Running out of Fuel .....	9-32
System Messages .....	5-13
Water in Fuel .....	9-28
What to Use in Canada and Mexico .....	9-26
What to Use in the U.S. ....	9-21
Fuel for Diesel Engines .....	9-21

## **G**

Gauges	
Engine Oil Pressure .....	5-7
Fuel .....	5-6
General Information	
Service and Maintenance .....	11-1

## **H**

Heater	
Engine .....	9-9
Fuel Operated .....	9-10

## **I**

Instrument Cluster .....	5-2
Introduction .....	ii

## **L**

Lamps	
Malfunction Indicator .....	5-8
Lights	
Power Take-off .....	5-11
Wait to Start .....	5-10

## **M**

Maintenance	
Records .....	11-12
Maintenance Schedule .....	11-3
Recommended Fluids and Lubricants .....	11-8
Malfunction Indicator Lamp .....	5-8
Messages	
Diesel Exhaust Fluid .....	5-13
Diesel Particulate Filter .....	5-14
Engine Cooling System .....	5-12
Engine Oil .....	5-13
Engine Power .....	5-13
Fuel System .....	5-13

Messages (cont'd)	
Service Vehicle .....	5-14
Starting the Vehicle .....	5-14
Vehicle .....	5-12
Vehicle Speed .....	5-15

## **O**

Oil	
Engine .....	10-6
Engine Oil Life System .....	10-9
Engine Oil Pressure Gauge .....	5-7
Messages .....	5-13
Overheating, Engine .....	10-23

## **P**

Parking	
Over Things That Burn .....	9-11
Personalization	
Vehicle .....	5-16, 5-18
Power Take-Off (PTO) .....	9-43
Power Take-Off Light .....	5-11

**R**

Recommended Fluids and Lubricants ..... 11-8

Records  
Maintenance .....11-12

Replacement Parts  
Maintenance ..... 11-11

Routing, Engine Drive Belt ..... 12-4

Running out of Fuel ..... 9-32

**S**

Service  
Accessories and Modifications ..... 10-1

Engine Soon Light ..... 5-8

Maintenance Records .....11-12

Maintenance, General  
Information ..... 11-1

Vehicle Messages .....5-14

Services  
Special Application ..... 11-7

Special Application Services ... 11-7

Specifications and Capacities ..... 12-2

Starting the Diesel Engine ..... 9-1

Starting the Vehicle  
Messages ..... 5-14

Supplement  
Using ..... ii

**T**

Towing  
Trailer .....9-38

Trailer  
Towing .....9-38

Transmission  
Fluid, Automatic .....10-9

**U**

Using This Supplement ..... ii

**V**

Vehicle  
Canadian Owners ..... ii

Messages .....5-12

Personalization .....5-16, 5-18

Speed Messages .....5-15

**W**

Wait to Start Light ..... 5-10

Warning Light  
Diesel Exhaust Fluid (DEF) ... 5-11

Water in Fuel ..... 9-28

What Fuel to Use in Canada and Mexico ..... 9-26

What Fuel to Use in the U.S. .... 9-21

Winter Cover ..... 9-5

