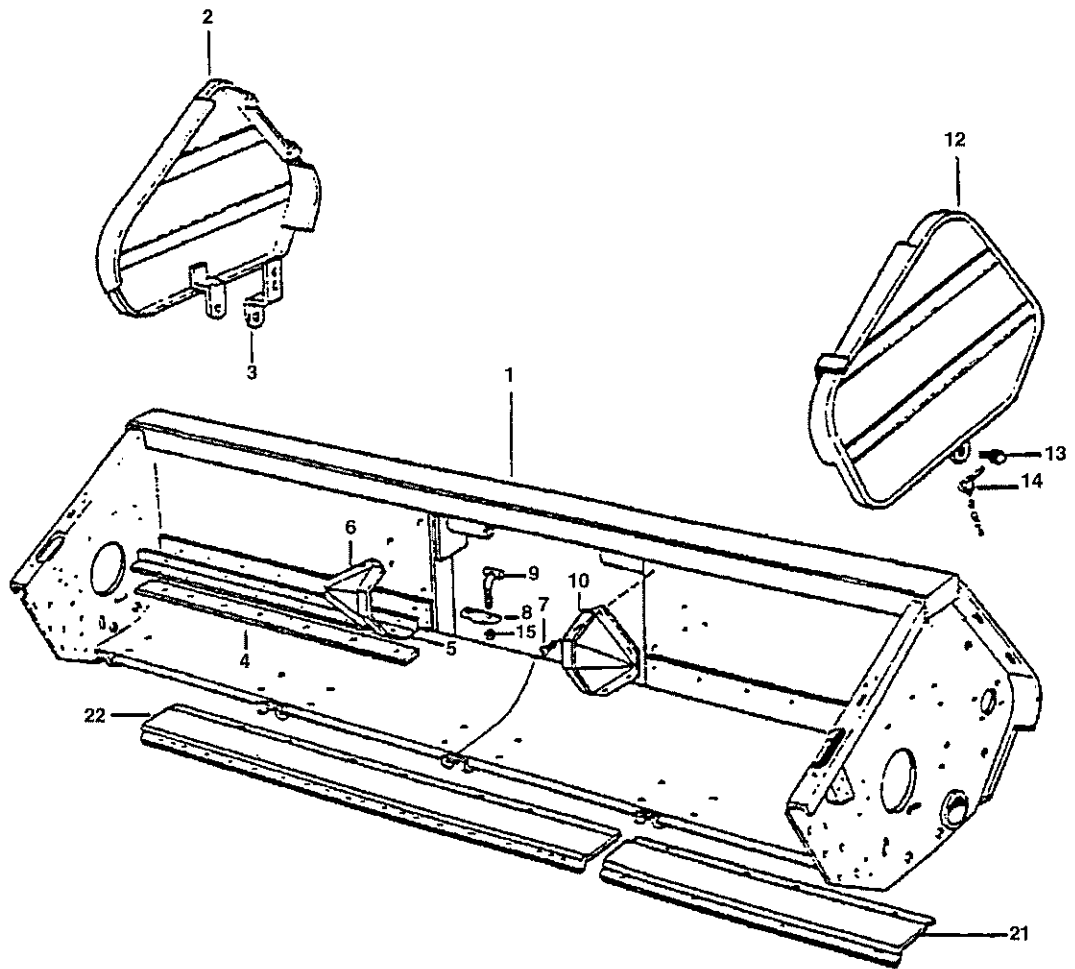


A-9

8

MF 9700/9750 SERIES GRAIN HEADERS
FRAME

TABLE



MFH0001

FRAME - TABLE

Item	Part Number	Qty	Description
1	148700M91	1	TABLE ASY. (13FT.) (3.96M)
2	2539871W91	1	SHIELD ASY., RIGHT
3	2524890W1	2	BRACKET, RIGHT SHIELD
4	2555790W2	2	STRAP (50") (1270MM)
5	2555700W3	2	ANGLE (50") (1270MM)
6	2556961W91	1	SHIELD ASY., RIGHT
7	373123X1	8	SCREW, MACHINE TRUSS HEAD (5/16-18 X 3/4)
8	2512590W2	2	PIVOT, CLEVIS
9	2505410W1	7	BOLT LATCH (SPECIAL)
10	2556951W91	1	SHIELD ASY., LEFT
12	2561511W91	1	SHIELD ASY., LEFT
13	1656110W2	2	PIN, SHIELD LOCK
14	1629760W2	2	PIN, KLIK
15	369067X1	4	NUT, HEX FLANGE CENTRE LOCK (5/8-11)
21	2574260W1	2	PLATE, OUTER (18.88") (479.5MM)
22	2574280W1	1	PLATE, CENTRE (119.7") (3040.4MM)

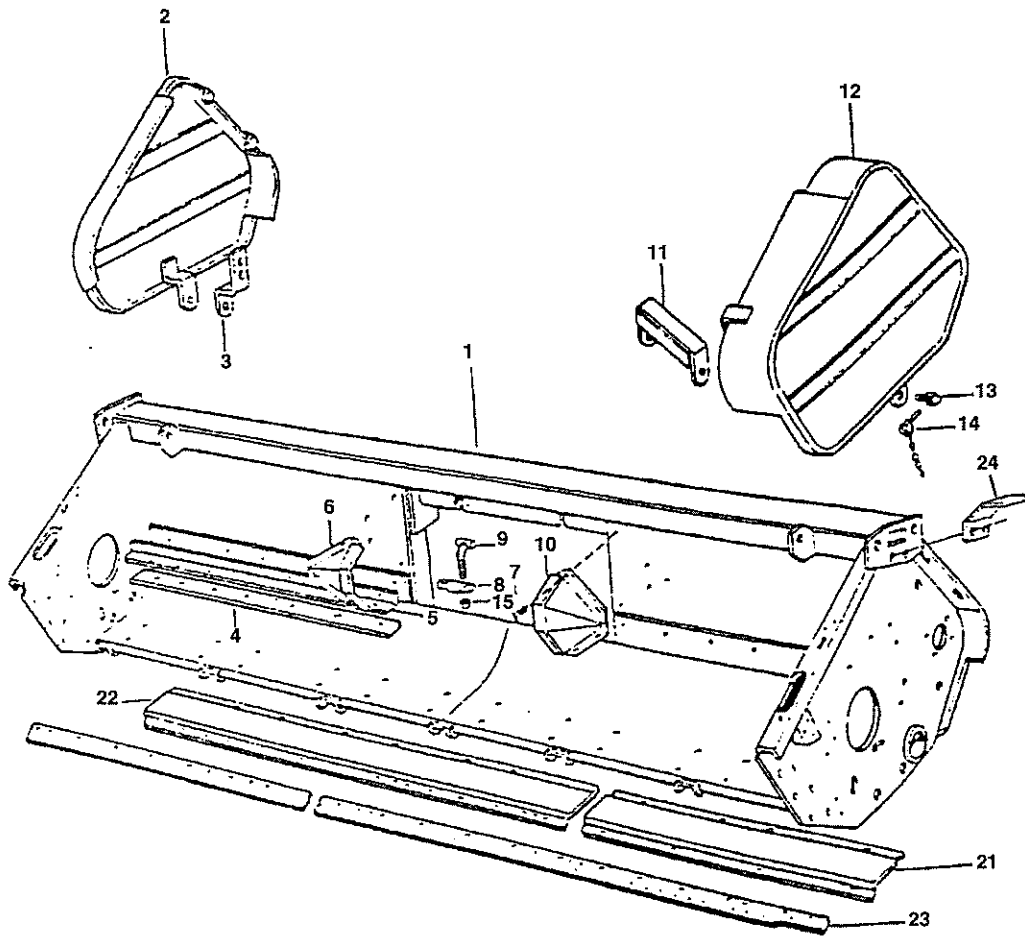
MFH0001

A-11

10

MF 9700/9750 SERIES GRAIN HEADERS
FRAME

TABLE
S/N V41101 & BEFORE



MFH0002

Item	Part Number	Qty	Description
1	2553891W91	1	TABLE ASY. (18')
	2553901W91	1	TABLE ASY. (20')
	2553911W91	1	TABLE ASY. (22')
	2553921W91	1	TABLE ASY. (24')
	103951W91	1	TABLE ASY. (25')
	2553931W91	1	TABLE ASY. (30')
2	2539871W91	1	SHIELD ASY., RIGHT (18'-30')
3	2524890W1	1	BRACKET, RIGHT SHIELD (18'-30')
4	2555820W2	2	STRAP (80") (2032MM) (18')
	2555830W2	2	STRAP (92") (2336.8MM) (20')
	2555840W2	2	STRAP (104") (2641.6MM) (22')
	2555850W2	2	STRAP (116") (2946.4MM) (24')
	105470W1	2	STRAP (122") (3098.8MM) (25')
	2555860W2	2	STRAP (149") (3784.6MM) (30')
5	2555730W3	2	ANGLE (80") (2032MM) (18')
	2555740W3	2	ANGLE (92") (2336.8MM) (20')
	2555750W2	2	ANGLE (104") (2641.6MM) (22')
	2555760W2	2	ANGLE (116") (2946.4MM) (24')
	103958W2	2	ANGLE (122") (3098.8MM) (25')
	2555770W3	2	ANGLE (149") (3784.6MM) (30')
6	2556961W91	1	SHIELD ASY., RIGHT (18'-30')
7	373123X1	8	SCREW, MACHINE PAN HEAD (5/16-18 X 3/4) (18'-30')
8	2512590W2	2	PIVOT, CLEVIS(18'-30')
9	2505410W1	4	BOLT LATCH, SPECIAL (18'-30')
10	2556951W91	1	SHIELD ASY., LEFT (18'-30')
11	2524921W91	1	BRACKET ASY., LEFT (18'-30')
12	2539861W91	1	SHIELD ASY., LEFT (18'-30')
13	1656110W2	2	PIN, SHIELD LOCK (18'-30')
14	1629760W2	2	PIN, KLIK (18'-30')
15	369067X1	4	NUT, HEX CENTRE LOCK (5/8-11) (18'-30')
21	2557950W1	2	PLATE, OUTER (48 7/8") (1241.5MM)(18')(9700)
	2557600W1	2	PLATE, OUTER (60 7/8") (1546.3MM)(20')(9700)
	2557510W1	2	PLATE, OUTER (72 7/8") (1851.1MM)(22')(9700)
	2557620W1	2	PLATE, OUTER (84 7/8") (2156MM)(24')(9700)
	103987W1	2	PLATE, OUTER (90 7/8") (2308.4MM)(25')(9700)
	2557630W1	2	PLATE, OUTER (117 7/8") (2994.2MM)(30')(9700)
22	2574280W1	1	PLATE, CENTRE (119.7") (3040.4MM)(18'-30')(9700)
23	2557010W1	1	BAR, CUTTER (230.7")(5860MM)(18')
	2557020W1	1	BAR, CUTTER (254.7")(6469.4MM)(20')
	2557030W1	1	BAR, CUTTER (278.7")(7079MM)(22')
	2557040W1	1	BAR, CUTTER (302.7")(7688.6MM)(24')
	103959W1	1	BAR, CUTTER (314.7")(7993.4MM)(25')
	2557050W1	1	BAR, CUTTER (368.7")(9365MM)(30')
24	104938W1	1	BRACKET (KNIFE STORAGE)(18'-30') (FACTORY INSTALLED ACCESSORY)

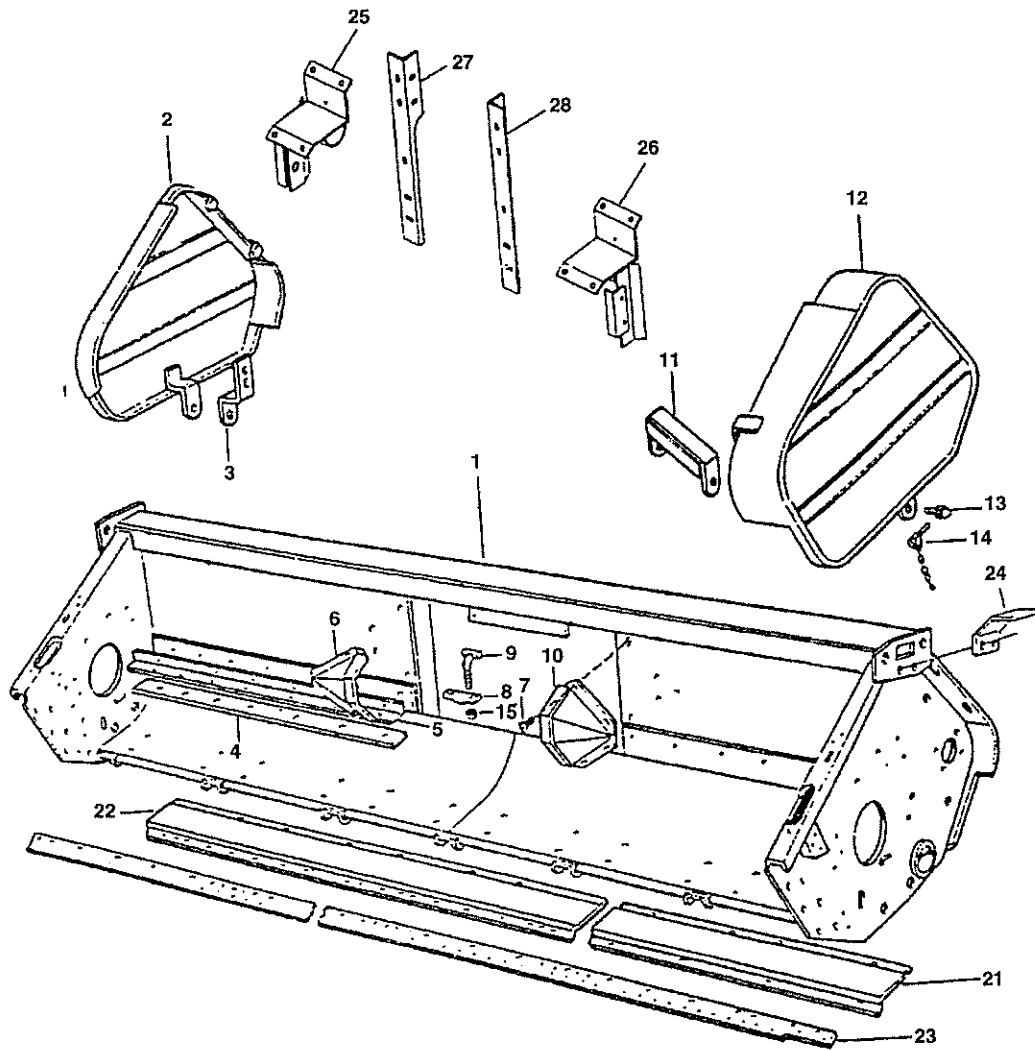
MFH0002

A-13

12

MF 9700/9750 SERIES GRAIN HEADERS
FRAME

TABLE
S/N V41101 & UP A SERIES



MFH0003

Item	Part Number	Qty	Description
1	108425W91	1	TABLE ASY. (18')
	108426W91	1	TABLE ASY. (20')
	108427W91	1	TABLE ASY. (25')
	111966W91	1	TABLE ASY. (30')
2	2539871W91	1	SHIELD ASY., RIGHT (18'-30')
3	2524890W1	1	BRACKET, RIGHT SHIELD (18'-30')
4	2555820W2	2	STRAP (80" (2032MM) (18')
	2555830W2	2	STRAP (92" (2336.8MM) (20')
	105470W1	2	STRAP (122" (3098.8MM) (25')
	2555860W2	2	STRAP (149" (3784.6MM) (30')
5	2555730W3	2	ANGLE (80" (2032MM) (18')
	2555740W3	2	ANGLE (92" (2336.8MM) (20')
	103958W2	2	ANGLE (122" (3098.8MM) (25')
	2555770W3	2	ANGLE (149" (3784.6MM) (30')
6	2556961W91	1	SHIELD ASY., RIGHT (18'-30')
7	373123X1	8	SCREW, MACHINE PAN HEAD (5/16-18 X 3/4) (18'-30')
8	2512590W2	2	*PIVOT, CLEVIS (18'-30')
9	2505410W1	4	*BOLT LATCH, SPECIAL (18'-30')
10	2556951W91	1	SHIELD ASY., LEFT (18'-30')
11	2524921W91	1	BRACKET ASY., LEFT (18'-30')
12	2539861W91	1	SHIELD ASY., LEFT (18'-30')
13	1656110W2	2	PIN, SHIELD LOCK (18'-30')
14	1629760W2	2	PIN, KLIK (18'-30')
15	369067X1	4	*NUT, HEX CENTRE LOCK (5/8-11) (18'-30')
21	2557950W1	2	PLATE, OUTER (48 7/8" (1241.5MM) (18')(9700)
	2557600W1	2	PLATE, OUTER (60 7/8" (1546.3MM) (20')(9700)
	103987W1	2	PLATE, OUTER (90 7/8" (2308.4MM) (25')(9700)
	2557630W1	2	PLATE, OUTER (117 7/8" (2994.2MM) (30') (9700)
22	2574280W1	1	PLATE, CENTRE (119.7" (3040.4MM)(18'-30')(9700)
23	2557010W1	1	BAR, CUTTER (230.7" (5860MM) (18')
	2557020W1	1	BAR, CUTTER (254.7" (6469.4MM) (20')
	103959W1	1	BAR, CUTTER (314.7" (7993.4MM) (25')
	2557050W1	1	BAR, CUTTER (368.7" (9365MM) (30')
24	104938W1	1	BRACKET (KNIFE STORAGE) (18'-30') (FACTORY INSTALLED ACCESSORY)
25	111495W91	1	*CLAMP ASY. RH
26	111494W91	1	*CLAMP ASY. LH
27	111362W1	1	*ANGLE RH A
28	105795W1	1	*ANGLE LH A

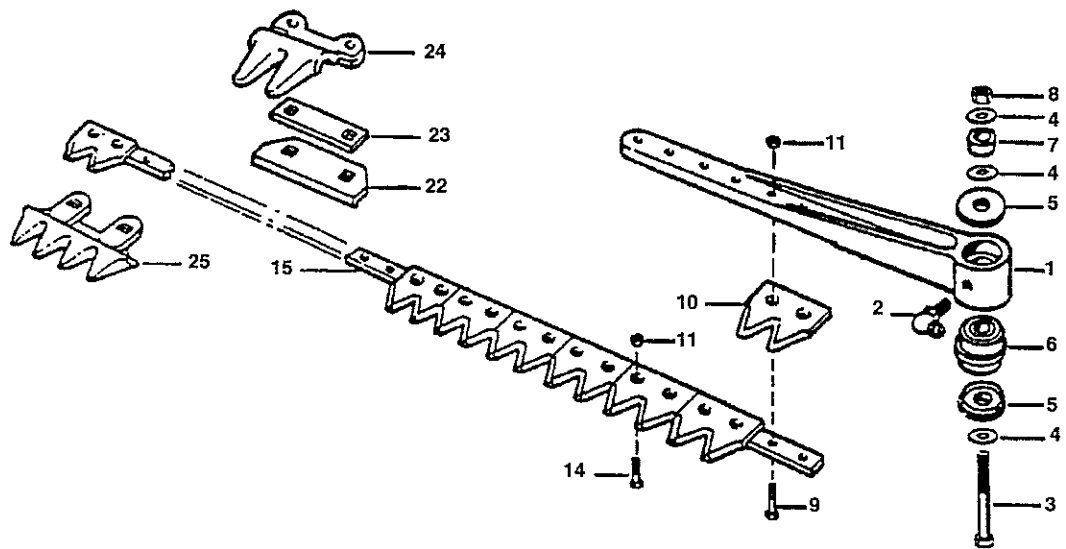
*ACCESSORY STANDARD MOUNTING KIT
MFH0003

A-15

14

MF 9700/9750 SERIES GRAIN HEADERS
FRAME

KNIFE (TWIN POINT SECTIONS)



MFH0004

FRAME - KNIFE (TWIN POINT SECTIONS)

Item	Part Number	Qty	Description
	103200M92	1	KNIFE ASY., COMPLETE (18')
	103201M92	1	KNIFE ASY., COMPLETE (20')
	103202M92	1	KNIFE ASY., COMPLETE (22')
	103203M92	1	KNIFE ASY., COMPLETE (24')
	103961W92	1	KNIFE ASY., COMPLETE (25')
	103204M92	1	KNIFE ASY., COMPLETE (30')
1	103211M2	1	HEAD, KNIFE (18'-30')
2	70915276	1	GREASE FITTING (1/8 NPTF, 90DEG.)(18'-30')
3	907486W1	1	BOLT, HEX (3/4-16 UNF X 4)
4	2503210W1	3	WASHER, HARDENED (25/32 X 1 1/4 X .060") (19.8 X 31.8 X 1.5MM)(18'-30')
5	2513890W1	2	SEAL, NILOS RING (18'-30')
6	2513850W91	1	BEARING ASY.
7	2578780W1	1	SPACER (25/32 X 1 1/4 X .26") (19.8 X 31.8 X 6.6MM) (18'-30')
8	364027X1	1	NUT, HEX LOCK (3/4-16)(NYLON INSERT) (18'-30')
9	148283M1	10	BOLT, (#12-24 X 1) (18'-30')
10	148281M1	-	SECTION (OVER-SERRATED) (18'-30')
11	373839X1	-	NUT (#12-24) (18'-30')
14	184282M1	-	BOLT (#12-24 X 5/8) (18'-30')
15	103208M91	1	BACK, KNIFE (224") (5689.6MM) (18')
	148761M1	1	BACK, KNIFE (248") (6299.2MM) (20')
	103209M1	1	BACK, KNIFE (272") (6908.8MM) (22')
	148760M1	1	BACK, KNIFE (296") (7518.4MM) (24')
	103960W1	1	BACK, KNIFE (308") (7823.2MM) (25')
	103210M1	1	BACK, KNIFE (362") (9194.8MM) (30')
22	231303M2	-	PLATE, WEAR (18'-30')
23	103936W1	-	SHIM (.030") (.76MM) (18'-30')
	1813460W1	-	SHIM (.015") (.38MM) (18'-30')
24	148199M1	-	GUARD, TOP
25	148198M1	-	GUARD, BOTTOM

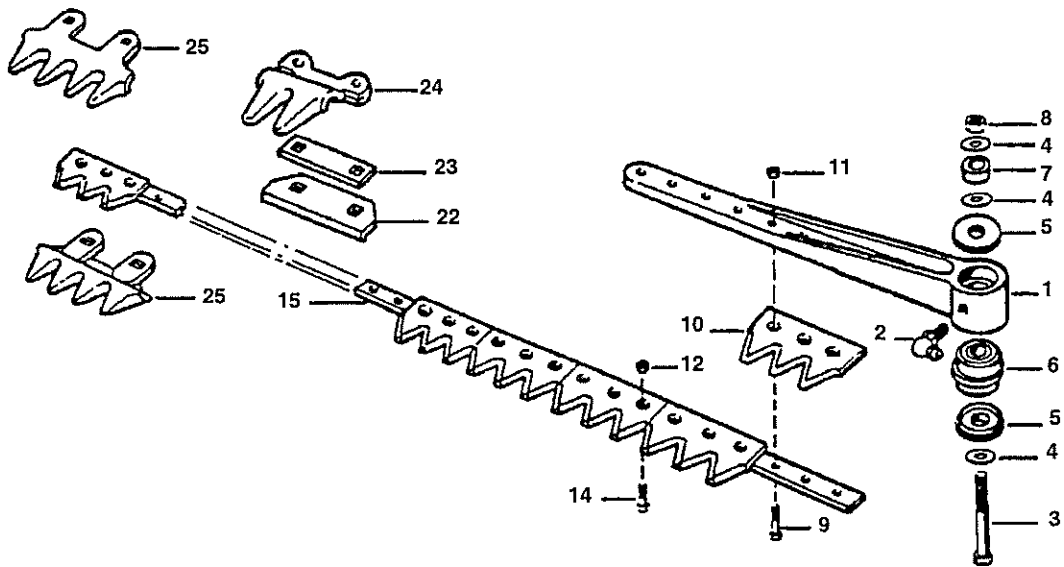
MFH0004

A-17

16

MF 9700/9750 SERIES GRAIN HEADERS
FRAME

KNIFE-TRIPLE POINT SECTIONS-(20') HEAD
(PRIOR S/N L00007)



MFH0005

Item	Part Number	Qty	Description L00007)
	2529273W91	1	KNIFE ASY., COMPLETE
1	2579010W1	1	HEAD ASY., KNIFE
2	70915276	1	GREASE FITTING (1/8 NPTF, 90DEG.)
3	907486W1	1	BOLT, HEX (3/4-16 UNF X 4)
4	2503210W1	-	WASHER, HARDENED (25/32 X 1 1/4 X .060") (19.8 X 31.8 X 1.5MM) (18'-30')
5	2513890W1	2	SEAL, NILOS RING (18'-30')
6	2513850W91	1	BEARING ASY.
7	2578780W1	1	SPACER (25/32 X 1 1/4 X .26") (19.8 X 31.8 X 6.6MM) (18'-30')
8	364027X1	1	NUT, HEX LOCK (3/4-16 UNF)
9	907306W1	10	BOLT, HEX (1/4-28 UNF X 1 1/4)
10	1714750W1	-	SECTION (OVER-SERRATED)
11	915691W1	-	NUT, HEX LOCK (1/4-28 UNF)
12	1819760W1	-	NUT, HEX CONE LOCK (1/4-20)
14	1819750W1	-	BOLT, ROUND HEAD (5/8-11 X 1 1/4)
15	2528830W1	1	BACK, KNIFE (248") (6299MM)
22	231303M2	-	PLATE, WEAR
23	1813460W1	-	SHIM (.015") (.38MM)
	258338M1	-	SHIM (.030") (.76MM)
24	1794160W1	-	GUARD, TOP
25	1713400W1	-	GUARD, BOTTOM

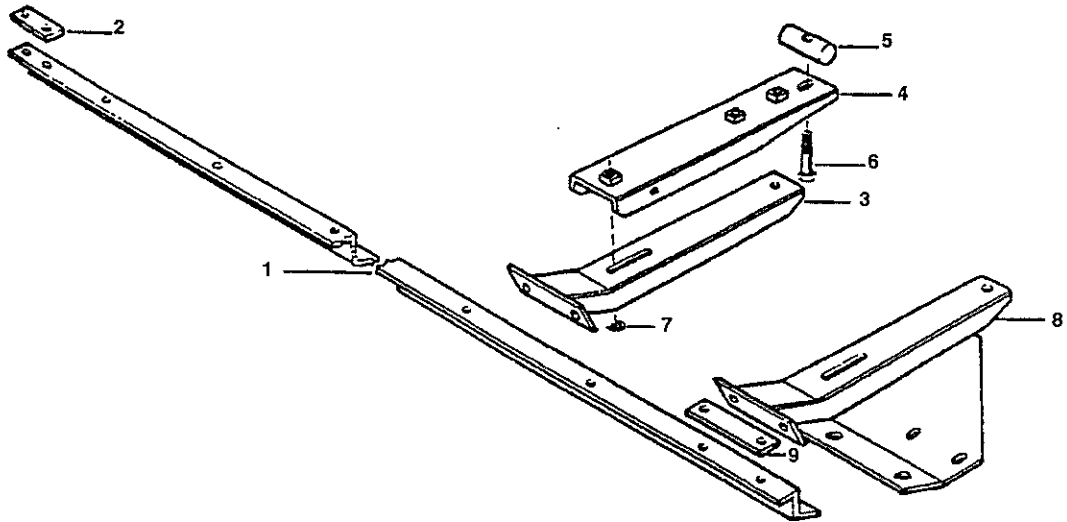
MFH0005

A-19

18

MF 9700/9750 SERIES GRAIN HEADERS
FRAME

KNIFE SUPPORTS
9700



MFH0006

Item	Part Number	Qty	Description
1	2572770W1	1	ANGLE, SUPPORT(158.50")(4025.9MM) (13' P/U)
	2557500W1	1	ANGLE, SUPPORT(230.96")(5866.4MM)(18')
	2557510W1	1	ANGLE, SUPPORT(254.96")(6476MM)(20')
	2557520W1	1	ANGLE, SUPPORT(278.96")(7085.6MM)(22')
	2557530W1	1	ANGLE, SUPPORT(302.96")(7695.2MM)(24')
	103986W1	1	ANGLE, SUPPORT(314.96")(8000MM)(25')
	2557540W1	1	ANGLE, SUPPORT(368.96")(9371.6MM)(30')
2	2532010W1	1	SPACER, RIGHT (18'-30')
3	2557421W91	5	CHANNEL SUPPORT (13' P/U)
		6	CHANNEL SUPPORT (18')
		8	CHANNEL SUPPORT (20'-25')
		10	CHANNEL SUPPORT (30')
4	2557391W91	5	CHANNEL SUPPORT (13' P/U)
		7	CHANNEL SUPPORT (18')
		9	CHANNEL SUPPORT (20'-25')
		11	CHANNEL SUPPORT (30')
5	2557410W1	5	SHAFT, PIVOT (13' P/U)
		7	SHAFT, PIVOT (18')
		9	SHAFT, PIVOT (20'-25')
		11	SHAFT, PIVOT (30')
6	2557870W1	5	BOLT, HEX (1/2-13 X 3 1/2) (13' P/U)
		7	BOLT, HEX (1/2-13 X 3 1/2) (18')
		9	BOLT, HEX (1/2-13 X 3 1/2) (20'-25')
		11	BOLT, HEX (1/2-13 X 3 1/2) (30')
7	9153390W1	5	SPACER (17/32 X 1 3/4 X 1/4) (13' P/U)
		7	SPACER (17/32 X 1 3/4 X 1/4) (18')
		9	SPACER (17/32 X 1 3/4 X 1/4) (20'-25')
		11	SPACER (17/32 X 1 3/4 X 1/4) (30')
8	2557731W91	1	CHANNEL ASY., SUPPORT (LEFT) (18'-30')
9	2503190W1	1	SPACER, LEFT (18'-30')

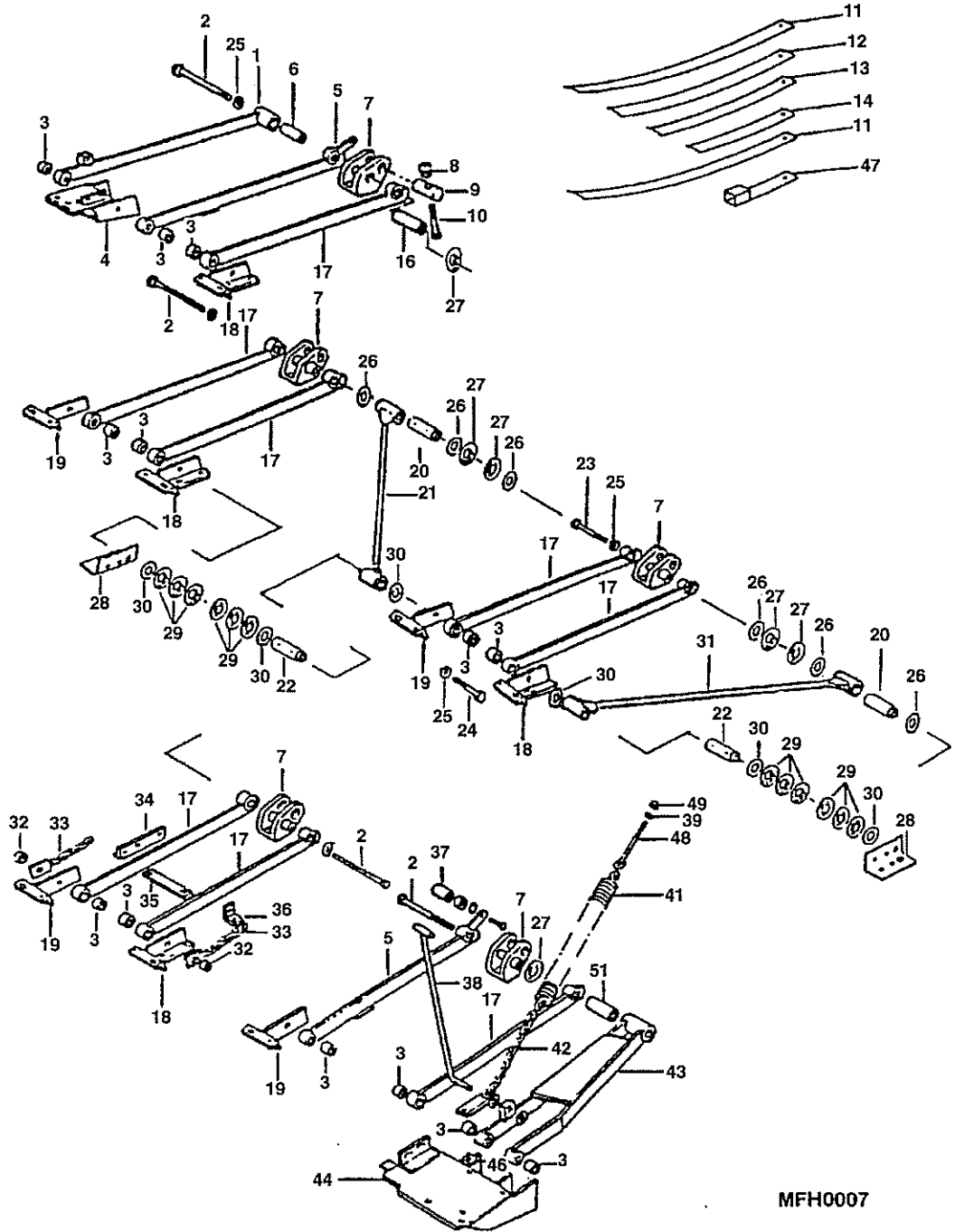
MFH0006

A-21

20

MF 9700/9750 SERIES GRAIN HEADERS
FRAME

KNIFE SUPPORTS
9750



Item	Part Number	Qty	Description
1	2574311W91	1	SUPPORT, DIVIDER (RIGHT) (18'-30')
2	908244W1	1	BOLT, HEX (1/2-13 X 9 1/2) (18'-30')
	365657X1	3	BOLT, HEX (1/2-13 X 9) (18'-30')
3	2563260W1	17	SPACER, PIVOT (1 X 9/16 X 29/32") (25.4 X 14.3 X 23MM) (18')
		21	SPACER, PIVOT (1 X 9/16 X 29/32") (25.4 X 14.3 X 23MM) (20'-25')
		25	SPACER, PIVOT (1 X 9/16 X 29/32") (25.4 X 14.3 X 23MM) (20'-25')
4	2576431W91	1	SHOE ASY., RIGHT (18'-30')
5	2568021W91	3	ARM ASY., SUPPORT (18'-30')
6	2565230W1	1	SPACER, PIVOT (9/16 X 1 X 3 11/16") (14.3 X 25.4 X 93.7MM) (18'-30')
7	2607980W1	7	SUPPORT, SPRING (18')
		9	SUPPORT, SPRING (20'-25')
		11	SUPPORT, SPRING (30')
8	2609020W1	7	NUT, HEX ACORN (1/2-13) (18')
		9	NUT, HEX ACORN (1/2-13) (20'-25')
		11	NUT, HEX ACORN (1/2-13) (30')
9	2609010W1	7	PIN, SPRING SUPPORT (1 1/4 X 2 3/4") (31.8 X 69.8MM) (18')
		9	PIN, SPRING SUPPORT (1 1/4 X 2 3/4") (31.8 X 69.8MM) (20'-25')
		11	PIN, SPRING SUPPORT (1 1/4 X 2 3/4") (31.8 X 69.8MM) (30')
10	2609030W1	7	BOLT, HEX 1/2-13 X 3 (18')
		9	BOLT, HEX 1/2-13 X 3 (20'-25')
		11	BOLT, HEX 1/2-13 X 3 (30')
11	2608940W1	14	SPRING, LEAF (29.2")(742MM) (18')
		18	SPRING, LEAF (29.2")(742MM) (20'-25')
		22	SPRING, LEAF (29.2")(742MM) (30')
12	2608950W1	5	SPRING, LEAF (24")(610MM) (18')
		7	SPRING, LEAF (24")(610MM) (20'-25')
		9	SPRING, LEAF (24")(610MM) (30')
13	2608960W1	7	SPRING, LEAF (18.8")(476MM) (18')
		9	SPRING, LEAF (18.8")(476MM) (20'-25')
		11	SPRING, LEAF (18.8")(476MM) (30')
14	2608970W1	5	SPRING, LEAF (13.6")(345MM) (18')
		7	SPRING, LEAF (13.6")(345MM) (20'-25')
		9	SPRING, LEAF (13.6")(345MM) (30')
16	2563250W1	7	SPACER, PIVOT (1 X 9/16 X 4 37/64") (25.4 X 14.3 X 116.3MM) (18')
		9	SPACER, PIVOT (1 X 9/16 X 4 37/64") (25.4 X 14.3 X 116.3MM) (20'-25')
		11	SPACER, PIVOT (1 X 9/16 X 4 37/64") (25.4 X 14.3 X 116.3MM) (30')
17	2568011W91	11	ARM ASY., SUPPORT (18')
		15	ARM ASY., SUPPORT (20'-25')
		19	ARM ASY., SUPPORT (30')
18	2570841W91	6	ARM ASY., PIVOT (LEFT) (18')
		8	ARM ASY., PIVOT (LEFT) (20'-25')
		10	ARM ASY., PIVOT (LEFT) (30')
19	2570831W91	6	ARM ASY., PIVOT (RIGHT) (18')
		8	ARM ASY., PIVOT (RIGHT) (20'-25')
		10	ARM ASY., PIVOT (RIGHT) (30')
20	104009W91	2	SPACER, PIVOT (18'-30')
21	2573651W92	1	STABILIZER ASY., RIGHT (18'-30')
22	104010W1	2	BUSHING, STABILIZER (18'-30')
23	354677X1	4	BOLT, HEX (1/2-13 X 5 3/4) (18')
		5	BOLT, HEX (1/2-13 X 5 3/4) (20'-25')
		7	BOLT, HEX (1/2-13 X 5 3/4) (30')
24	354675X1	2	BOLT, HEX (1/2-13 X 5 1/2) (18'-30')
25	355621X1	-	WASHER, WIDE FLAT (1/2) (18'-30')
26	104012W1	6	WASHER, THRUST (1 5/8OD X .039") (41.3 X 1MM) (18'-30')
27	104013W1	7	WASHER, BELLEVILLE (2OD X .045") (50.8 X 1.1MM) (18'-30')
28	103948W1	2	ANGLE (2 X 2 X 3/16 X 4")(18'-30') (50.8 X 50.8 X 4.8 X 101.6MM)
29	104014W1	12	WASHER, BELLEVILLE (1 1/2OD X .045") (38.1 X 1.1MM) (18'-30')
30	104011W1	6	WASHER, THRUST (1 3/8OD X .039") (34.9 X 1MM) (18'-30')
31	2565201W92	1	STABILIZER ASY., LEFT (18'-30')
32	2578210W1	4	SPACER (1/2 X 3/4 X 1/4") (12.7 X 19 X 6.4MM) (18'-30')
33	2576501W91	4	CHAIN ASY., ANCHOR (18'-30')
34	2582340W1	7	ANGLE, SUPPORT (18')
		9	ANGLE, SUPPORT (20'-25')
		11	ANGLE, SUPPORT (30')
35	2582360W1	7	BAR, LOCKING (18')
		9	BAR, LOCKING (20'-25')
		11	BAR, LOCKING (30')
36	2582350W1	7	ANGLE, ANCHOR (18')
		9	ANGLE, ANCHOR (20'-25')

Item	Part Number	Qty	Description
		11	ANGLE, ANCHOR (30')
37	2608680W1	3	SPACER (1/2 X 1")(12.7 X 25.4MM)
38	2578001W91	2	ROD, STOP (18'-30')
39	1810870W1	1	WASHER, SPHERICAL (18'-30')
40	2530580W1	1	ROD, PULL (18'-30')
41	1573290W1	1	SPRING (18'-30')
42	2605511W91	1	CHAIN ASY., ANCHOR (18'-30')
43	2574161W91	1	SUPPORT ASY., WOBBLE BOX (18'-30')
44	2576461W91	1	SHOE ASY., LEFT (18'-30')
46	2564460W1	2	SPACER, REAR (1 X 1.5 X .375, .53ID") (25.4 X 38.1 X 9.5, 13.5IDmm) (18'-30')
47	101285M91	7	SPRING, RESTRAINT ASY. (18')
		9	SPRING, RESTRAINT ASY. (20'-25')
		11	SPRING, RESTRAINT ASY. (30')
49	375111X1	-	NUT, HEX JAM (1/2-13) (18'-30')
50	364964X1	4	BOLT, CARRIAGE (3/8-16 X 1) (18'-30')
51	2564640W1	1	SPACER (9/16 X 1 X 3) (18'-30')

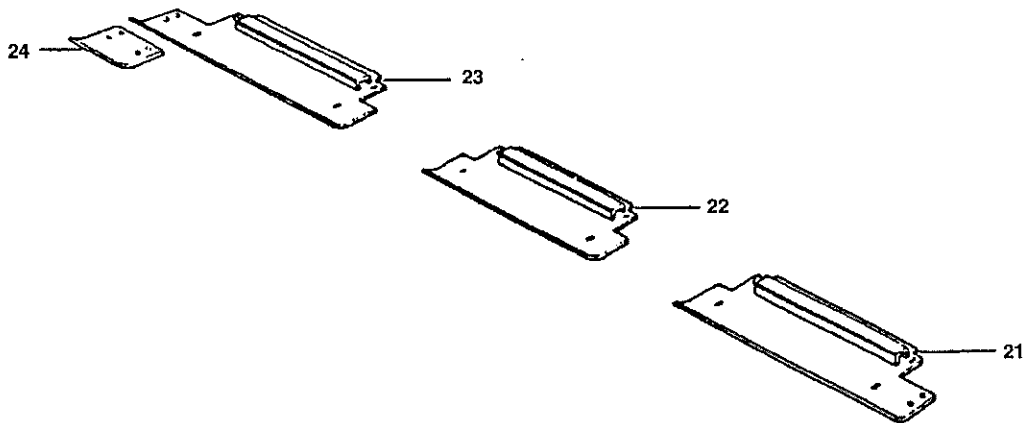
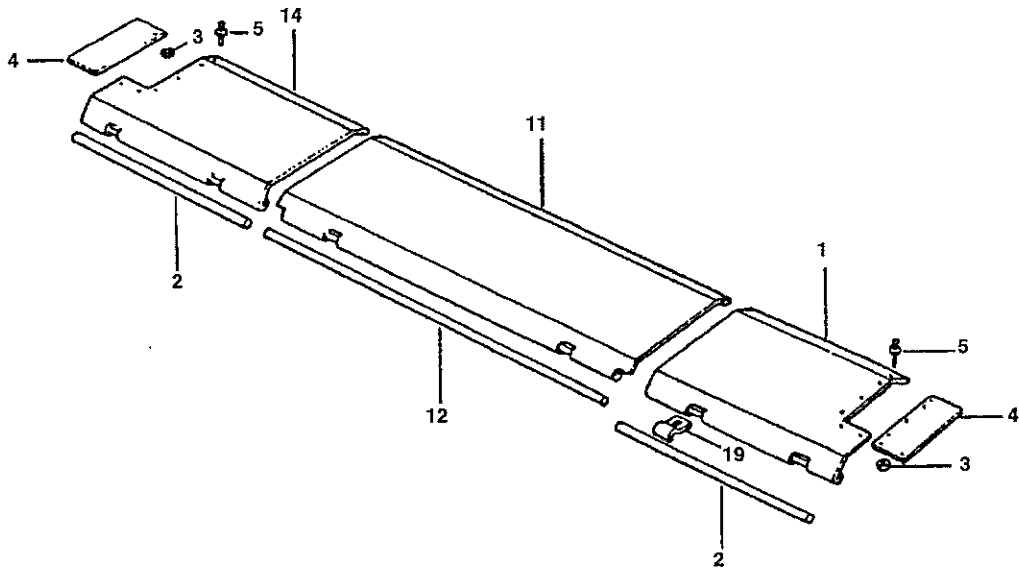
MFH0007

B-1

24

MF 9700/9750 SERIES GRAIN HEADERS
SHIELDING

SHIELDS & SKID SHOES
9750



MFH0008

SHIELDING - SHIELDS & SKID SHOES, 9750

Item	Part Number	Qty	Description
1	2575383W91	1	SHIELD ASY., LEFT (23 1/2") (597MM) (18'-20')
	2575393W91	1	SHIELD ASY., LEFT(35 1/2")(902MM)(22')
	2575403W91	1	SHIELD ASY., LEFT(47 1/2")(1207MM)(24')
	103980W91	1	SHIELD ASY., LEFT(53 1/2")(1359MM)(25')
	111962W91	1	SHIELD ASY., LEFT(32 1/2")(826MM)(30')
2	2575320W1	2	ROD, HINGE (23 1/2")(597MM) (18'-20')
	2515430W1	2	ROD, HINGE (35 1/2")(902MM) (22')
	2575310W1	2	ROD, HINGE (47 1/2")(1207MM) (24')
	103982W1	2	ROD, HINGE (53 1/2")(1359MM) (25')
	111961W1	2	ROD, HINGE (32 1/2")(826MM) (30')
3	2605930W1	12	WASHER (18'-30')
4	2605910W1	2	SEAL (3 5/8 X 9 9/64 X 1/8") (92 X 3.6 X 3.2MM) (18'-30')
5	368180X1	12	POP RIVET (18'-30')
11	2575493W91	2	SHIELD ASY., CENTER (49 1/2") (1257MM)(18')
		4	SHIELD ASY., CENTER (49 1/2") (1257MM) (20'-25')
		6	SHIELD ASY., CENTER (49 1/2") (1257MM)(30')
	2575503W91	2	SHIELD ASY., CENTER (37 1/2") (953MM)(18')
12	2575310W1	2	ROD, HINGE (18')
		4	ROD, HINGE (20'-25')
		6	ROD, HINGE (30')
	2515430W1	2	ROD, HINGE (35 1/2")(953MM) (18')
14	2575453W91	1	SHIELD ASY., RIGHT (23 1/2") (597MM) (18'-20')
	2575463W91	1	SHIELD ASY., RIGHT(35 1/2")(902MM)(22')
	2575473W91	1	SHIELD ASY., RIGHT(47 1/2")(1207MM)(24')
	103978W91	1	SHIELD ASY., RIGHT(53 1/2")(1359MM)(25')
	111963W91	1	SHIELD ASY., RIGHT(32 1/2")(826MM)(30')
19	2515400W2	12	CLIP (18' - 25')
		16	CLIP (30')
21	2574501W92	1	SHOE ASY., LEFT SKID (25 7/8") (657MM)(20')
	2574511W92	1	SHOE ASY., LEFT SKID (29 3/8") (746MM)(22')
	2574541W92	1	SHOE ASY., LEFT SKID (41 3/8") (1051MM) (18' & 24')
	103974W91	1	SHOE ASY., LEFT SKID (47 3/8") (1203MM)(25')
	111957W91	1	SHOE ASY., LEFT SKID (34 7/8") (886MM)(30')
22	2574561W92	2	SHOE ASY., CENTER SKID (29 3/4") (756MM) (18'-30')
	2574581W92	2	SHOE ASY., CENTER SKID (35 3/4") (908MM)(18')
		4	SHOE ASY., CENTER SKID (35 3/4") (908MM) (20' - 30')
	2574551W92	2	SHOE ASY., CENTER SKID (27 1/4") (692MM)(20')
	111955W91	2	SHOE ASY., CENTER SKID (39 1/4") (997MM)(30')
23	2574601W92	1	SHOE ASY., RIGHT SKID (25 7/8") (657MM)(20')
	2574611W92	1	SHOE ASY., RIGHT SKID (29 3/8") (746MM)(22')
	2574641W92	1	SHOE ASY., RIGHT SKID (41 3/8") (1051MM) (18' & 24')
	103975W91	1	SHOE ASY., RIGHT SKID (47 3/8") (1203MM)(25')
	111959W91	1	SHOE ASY., RIGHT SKID (34 7/8") (886MM)(30')
24	2608890W1	1	PLATE, SKID (18'-30')

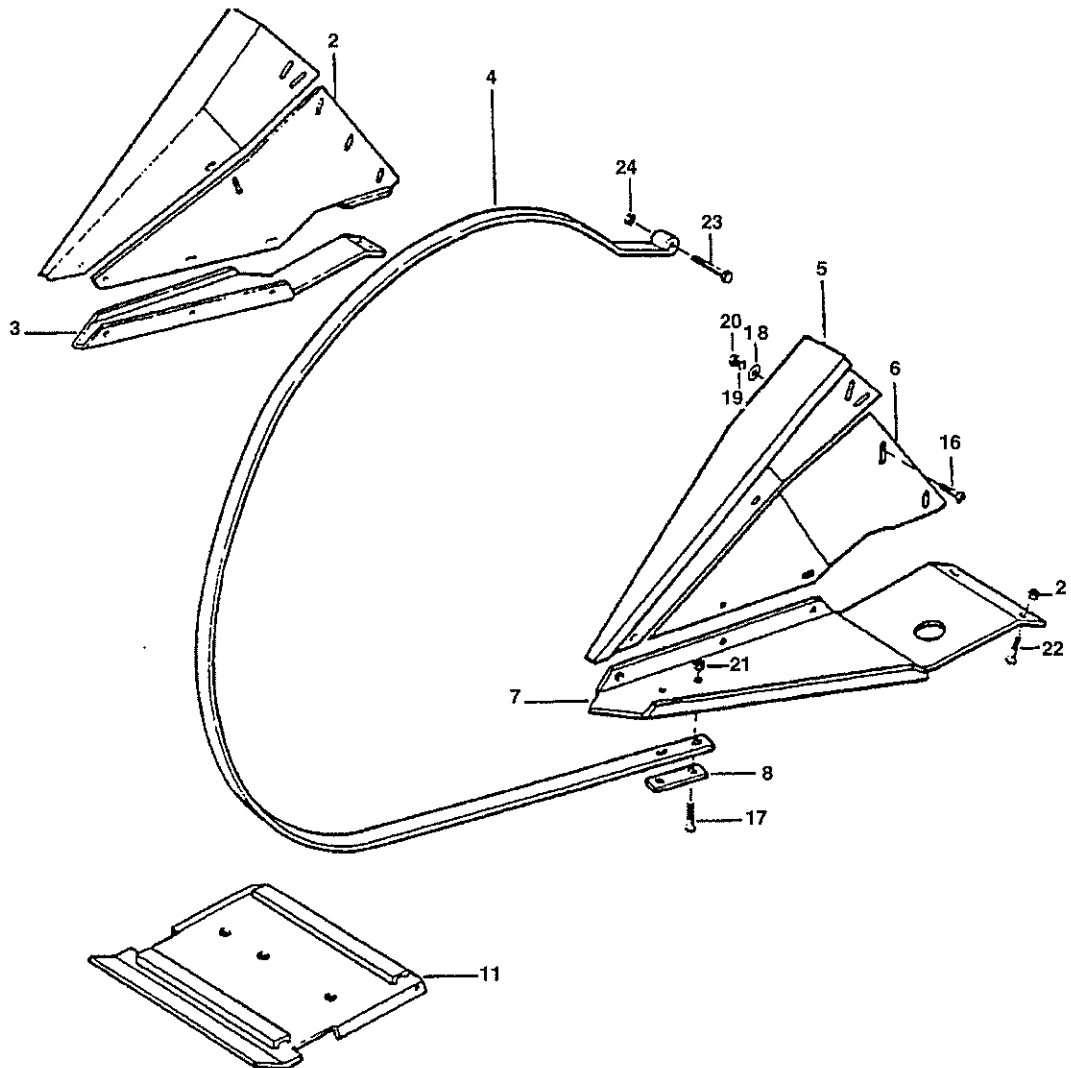
MFH0008

B-5

28

MF 9700/9750 SERIES GRAIN HEADERS
SHIELDING

DIVIDERS & STONEGUARDS
9700



MFH0009

SHIELDING - DIVIDERS & STONEGUARDS, 9700

Item	Part Number	Qty	Description
1	2514531W91	1	DIVIDER ASY., RIGHT (18'-30')
2	2514510W1	1	SHEET, RIGHT DIVIDER (18'-30')
3	2514550W1	1	SHOE, RIGHT (18'-30')
4	2533940W1	2	GUARD DIVIDER (18'-30')
5	2514541W91	1	DIVIDER ASY., LEFT (18'-30')
6	2514520W1	1	SHEET, LEFT DIVIDER (18'-30')
7	2514560W1	1	SHOE, LEFT (18'-30')
8	2608050W1	2	PLATE, GUARD (18'-30')
11	2566001W92	2	GUARD ASY., STONE (24") (610MM) (20' & 22')
	2566011W92	2	GUARD ASY., STONE (27 1/2") (699MM) (20')
	2566021W92	2	GUARD ASY., STONE (30") (762MM) (18'-30')
	2566041W92	2	GUARD ASY., STONE (33") (838MM) (30')
	2566061W92	2	GUARD ASY., STONE (36") (914MM) (18'-20')
		4	GUARD ASY., STONE (36") (914MM) (22' - 30')
	2566101W92	2	GUARD ASY., STONE (39 1/2") (1003MM) (18', 24' & 30')
	103985W91	2	GUARD ASY., STONE (45 1/2") (1156MM) (25')
16	373303X1	-	SCREW, MACHINE TRUSS HEAD (3/8-16 X 1)
17	364965X1	-	BOLT, CARRIAGE (3/8-16 X 1 1/2)
18	355619X1	-	WASHER, WIDE FLAT (3/8)
19	353434X1	-	WASHER, LOCK (3/8)
20	355566X1	-	NUT, HEX (3/8-16)
21	364217X1	-	NUT, HEX FLANGE LOCK (3/8-16)
22	364224X1	-	BOLT, CARRIAGE (1/2-13 X 1 1/4)
23	354653X1	-	BOLT, HEX (1/2-13 X 2 3/4)
24	368644X1	-	NUT, HEX FLANGE LOCK (1/2-13)

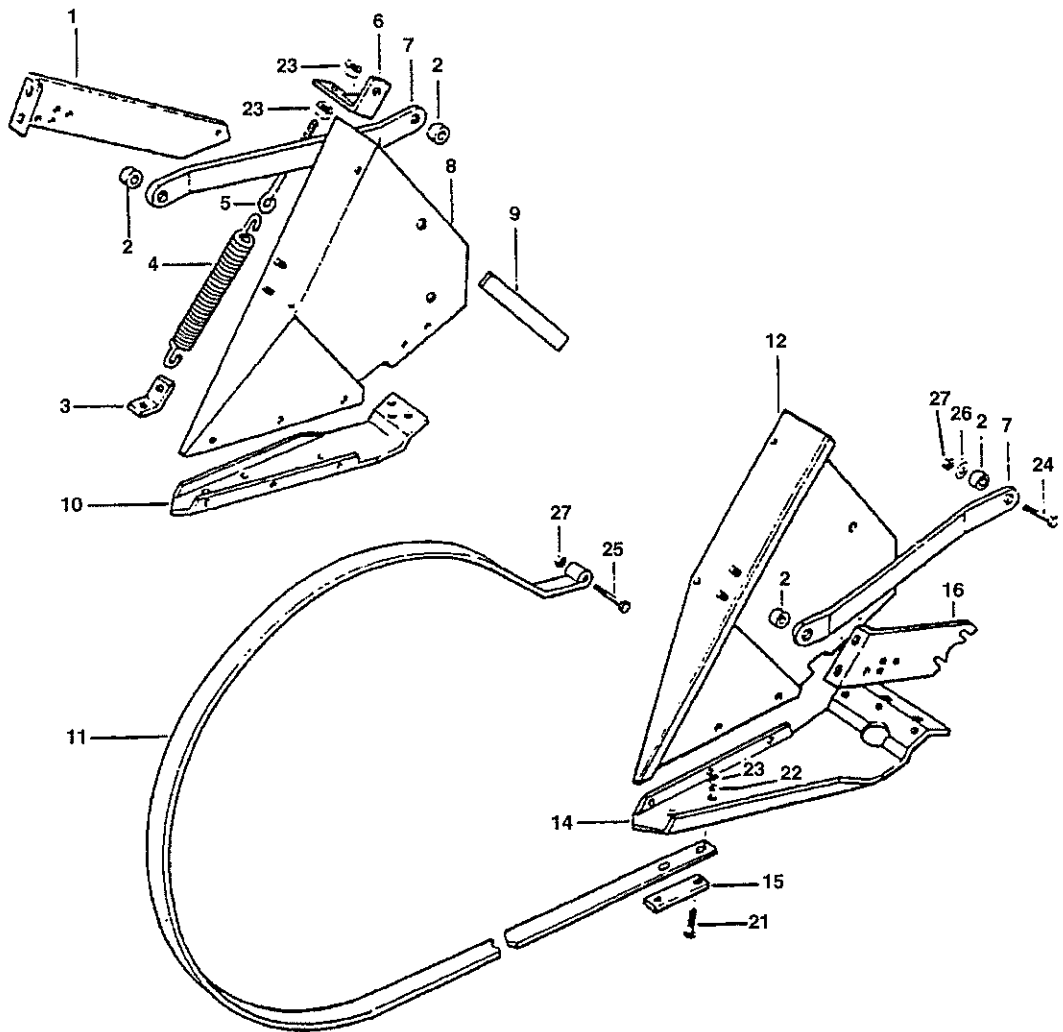
MFH0009

B-7

30

MF 9700/9750 SERIES GRAIN HEADERS
SHIELDING

DIVIDERS
9750



MFH0010

Item	Part Number	Qty	Description
1	2605470W1	1	SUPPORT, RIGHT
2	2605790W1	4	SPACER (9/16 X 1 X 1/2") (14.3 X 25.4 X 12.7MM)
3	2605460W1	1	**BRACKET LOWER SPRING ANCHOR
4	1711610W1	1	**SPRING
5	1594210W1	1	**ROD, UPPER SPRING
6	2605421W91	1	**BRACKET ASY., UPPER SPRING ANCHOR
7	2605490W2	2	STRAP, SUPPORT
8	2573781W92	1	DIVIDER ASY., RIGHT
9	2609050W1	2	STRIP, WEAR
10	2574890W1	1	SHOE, RIGHT
11	2533940W1	2	*GUARD DIVIDER
12	2573771W91	1	DIVIDER ASY., LEFT
14	2574900W1	1	SHOE, LEFT
15	2608050W1	2	PLATE, GUARD
16	2605480W1	1	SUPPORT, LEFT
21	373303X1	-	SCREW, MACHINE TRUSS HEAD (3/8-16 X 1)
22	353434X1	-	WASHER, LOCK (3/8)
23	355566X1	-	NUT, HEX (3/8-16)
24	354276X1	-	BOLT, HEX (1/2-13 X 1 1/4)
25	354653X1	-	BOLT, HEX (1/2-13 X 2 3/4)
26	355621X1	-	WASHER, WIDE FLAT (1/2") (12.7MM)
27	368644X1	-	NUT, HEX FLANGE LOCK (1/2-13)

*ACCESSORY

**PRIOR TO S/N V41101

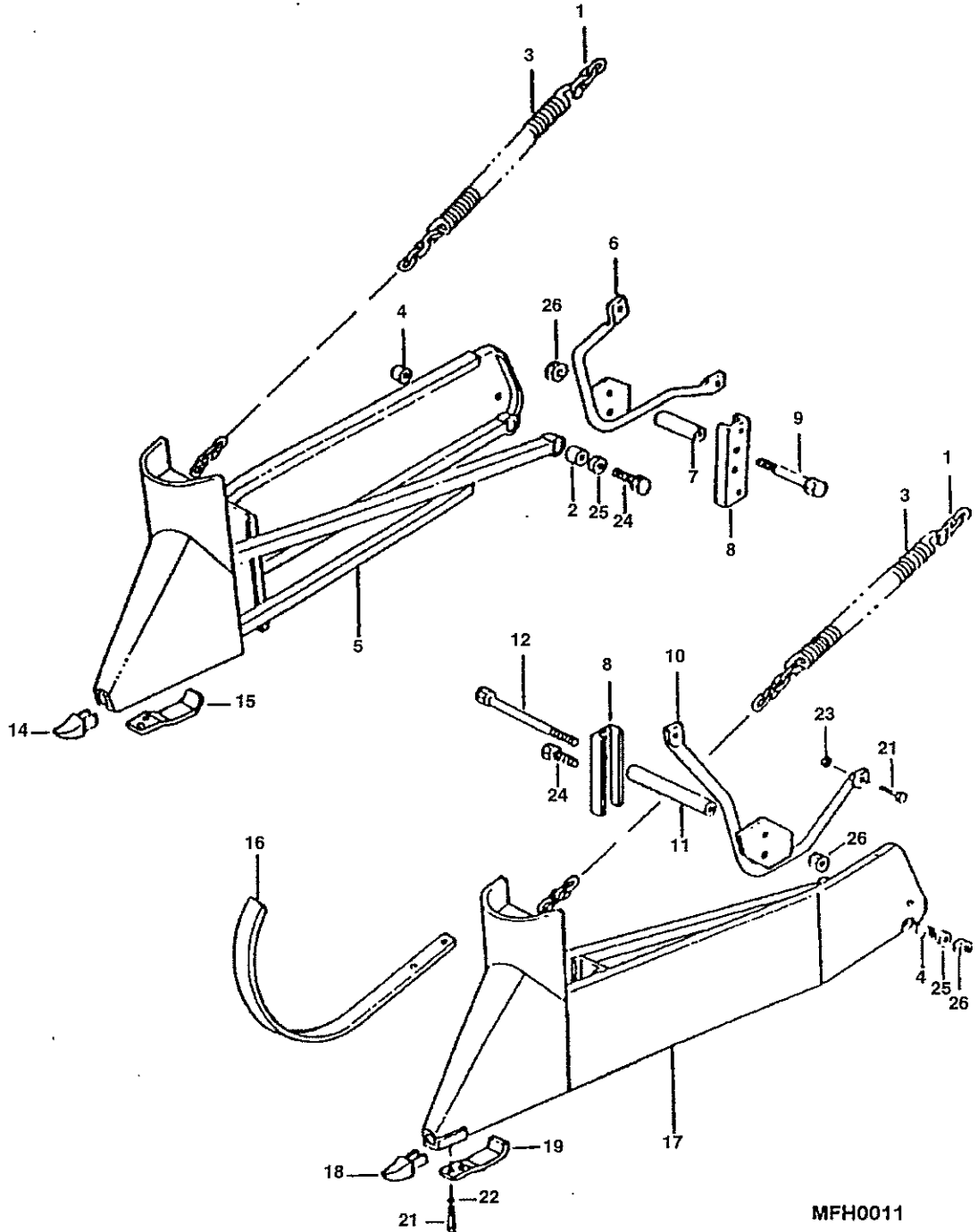
MFH0010

B-9

32

MF 9700/9750 SERIES GRAIN HEADERS
SHIELDING

LONG DIVIDERS
9750



MFH0011

Item	Part Number	Qty	Description
1	2636820W1	2	CHAIN, SPRING RETAINER
2	148298M1	2	PIVOT SPACER (1 7/8") (48.6MM)
3	31-1595360	2	SPRING (60 COILS, 144 5/16") (364MM)
4	2576480W1	2	SPACER (1 3/8") (35MM)
5	2542981W92	1	DIVIDER ASY., RIGHT
6	2568871W91	1	SUPPORT ASY., RIGHT
7	2574970W1	1	SPACER, RIGHT DIVIDER (6") (152MM)
8	2605210W1	2	CHANNEL, SUPPORT
9	355891X1	1	BOLT, HEX (1/2-13 X 7)
10	2568861W91	1	SUPPORT ASY., LEFT
11	2605220W1	1	SPACER, LEFT DIVIDER (11.9") (302MM)
12	2605520W1	1	BOLT, HEX (1/2-13 X 13)
14	1580050W1	1	POINT, RIGHT
15	1593810W1	1	SLIDE, RIGHT
16	2574220W1	2	STRAP, DIVIDER
17	2542401W92	1	DIVIDER ASY., LEFT
18	1580040W1	1	POINT, LEFT
19	1593800W1	1	SLIDE, LEFT
21	353691X1	-	BOLT, HEX (3/8-16 X 1)
22	353434X1	-	WASHER, LOCK (3/8)
23	364217X1	-	NUT, HEX FLANGE LOCK (3/8-16)
24	354657X1	-	BOLT, HEX (1/2-13 X 3 1/4)
25	355621X1	-	WASHER, WIDE FLAT (1/2)
26	368644X1	-	NUT, HEX FLANGE LOCK (1/2-13)

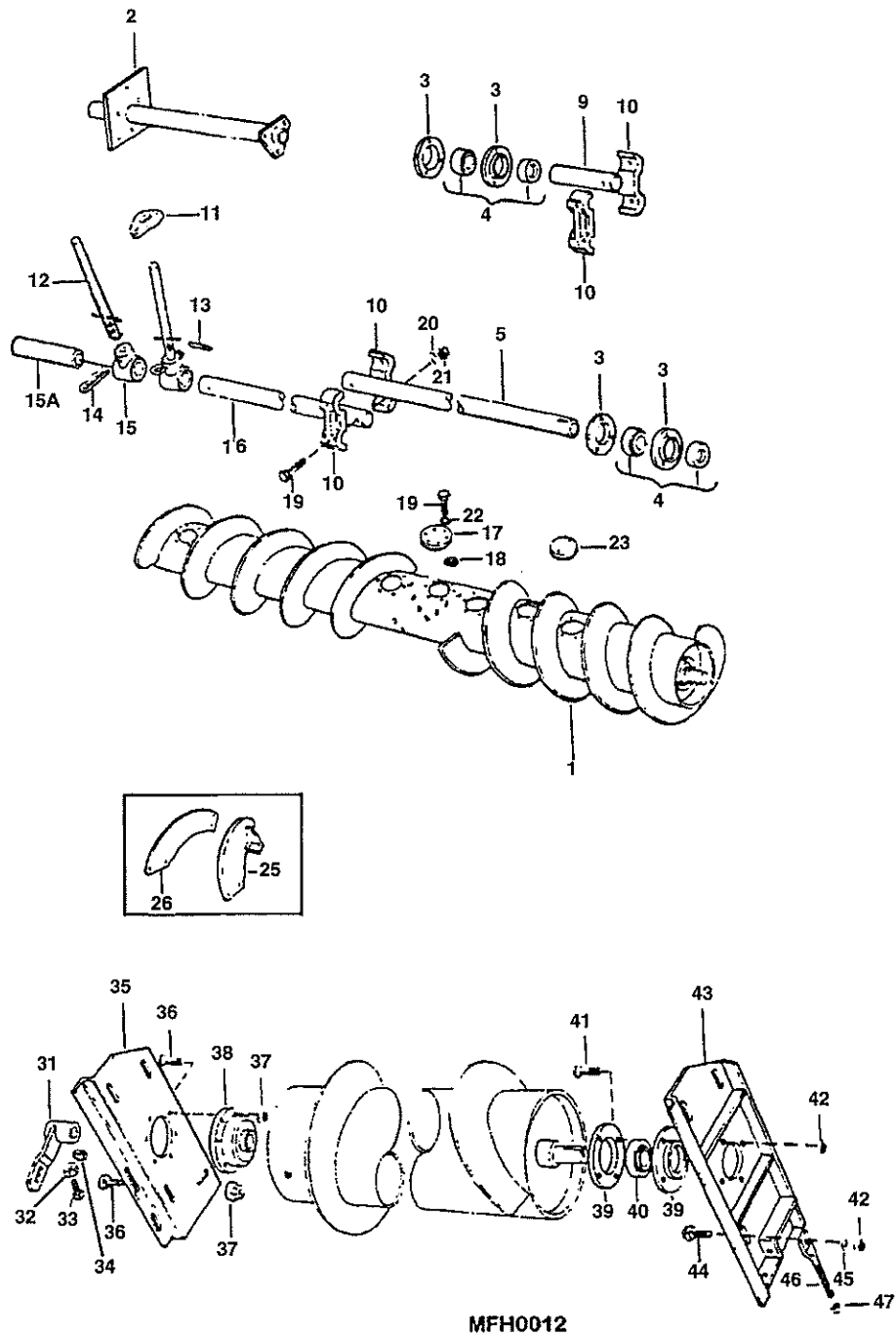
MFH0011

B-11

34

MF 9700/9750 SERIES GRAIN HEADERS
AUGER

AUGERS & SUPPORTS



AUGER - AUGERS & SUPPORTS

Item	Part Number	Qty	Description
1	2582801W91	1	TUBE ASY., AUGER (13' P/U)
	2582831W91	1	TUBE ASY., AUGER (18')
	2582841W91	1	TUBE ASY., AUGER (20')
	2582851W91	1	TUBE ASY., AUGER (22')
	2582861W91	1	TUBE ASY., AUGER (24')
	103964W91	1	TUBE ASY., AUGER (25')
	2582871W91	1	TUBE ASY., AUGER (30')
2	2499091W91	1	SHAFT ASY., AUGER DRIVE
3	541388M2	6	FLANGE, BEARING
4	51292	3	BEARING, BALL, W/COLLAR
5	2520340W1	1	SHAFT, FINGER (57.9")(1471MM) (13' P/U)
	2520370W1	1	SHAFT, FINGER (87.9")(2233MM) (18')
	2520380W1	1	SHAFT, FINGER (99.9")(2537MM) (20')
	2520390W1	1	SHAFT, FINGER (111.9")(2842MM) (22')
	2520400W1	1	SHAFT, FINGER (123.9")(3147MM) (24')
	103969W1	1	SHAFT, FINGER (129.9")(3299MM) (25')
	2520410W1	1	SHAFT, FINGER (156.9")(3985MM) (30')
9	2499680W1	1	SHAFT, STUB (6)
10	2533390W1	4	CLAMP, FINGER SUPPORT
11	2500000W1	14	GUIDE, FINGER
12	2499640W1	14	FINGER (10 21/32"-INCLUDES SPRING PIN) (271MM)
13	70919761	14	PIN, SPRING
14	9650920W1	14	PIN, FINGER
15	2499670W1	14	HOLDER, FINGER
16	2499650W1	1	SHAFT, FINGER SUPPORT(44 1/8)
17	2582550W1	5	COVER, AUGER TUBE (8 1/2") (216MM) (13' P/U-24')
		6	COVER, AUGER TUBE (8 1/2") (216MM) (25' & 30')
18	355898X1	30	NUT, CAGED (1/4-20) (13' P/U-24')
		36	NUT, CAGED (1/4-20) (25' & 30')
19	353667X1	70	BOLT, HEX (1/4-20 X 3/4)(13' P/U-24')
		76	BOLT, HEX (1/4-20 X 3/4) (25 & 30')
20	355617X1	70	WASHER, WIDE FLAT (1/4) (13' P/U-24')
		76	WASHER, WIDE FLAT (1/4) (25 & 30')
21	915885W1	70	NUT, HEX FLANGE (1/4-20)(13' P/U-24')
		76	NUT, HEX FLANGE (1/4-20) (25 & 30')
22	353441X1	30	WASHER, LOCK (1/4) (13' P/U-24')
		36	WASHER, LOCK (1/4) (25 & 30')
23	2556260W1	6	COVER, RETRACTABLE FINGER
24	103635W1	2	SPACER (1.38ID X 1.66 X 5.63") (31ID X 42 X 143MM)
25	2506591W91	-	*EXTENSION ASY., LEFT FLIGHT
26	2506601W91	-	*EXTENSION ASY., RIGHT FLIGHT
31	2499831W91	1	LEVER ASY.
32	375108X1	1	NUT, HEX JAM (5/16-18)
33	355204X1	1	SCREW, SQUARE HEAD SET (5/16-18 X 1)
34	11935X	1	KEY, WOODRUFF (3/8 X 1 1/4") (9.5 X 31.8MM)
35	2585681W91	1	BRACKET ASY., LEFT SUPPORT
36	364964X1	7	BOLT, CARRIAGE (3/8-16 X 1)
37	364217X1	7	NUT, HEX FLANGE LOCK (3/8-16)
38	2531000W1	1	HUB, LEFT SUPPORT
			*ACCESSORY
			MFH0012
39	833980M1	2	FLANGE, BEARING
40	51318	1	BEARING
41	365777X1	4	BOLT, CARRIAGE (1/2-13 X 1)
42	368644X1	12	NUT, HEX FLANGE LOCK (1/2-13)
43	2585661W92	1	BRACKET ASY., RIGHT SUPPORT
44	364224X1	8	BOLT, CARRIAGE (1/2-13 X 1 1/4)
45	355621X1	8	WASHER, WIDE FLAT (1/2)
46	2518070W1	4	BOLT, ADJUSTING
47	375111X1	4	NUT, HEX JAM (1/2-13)

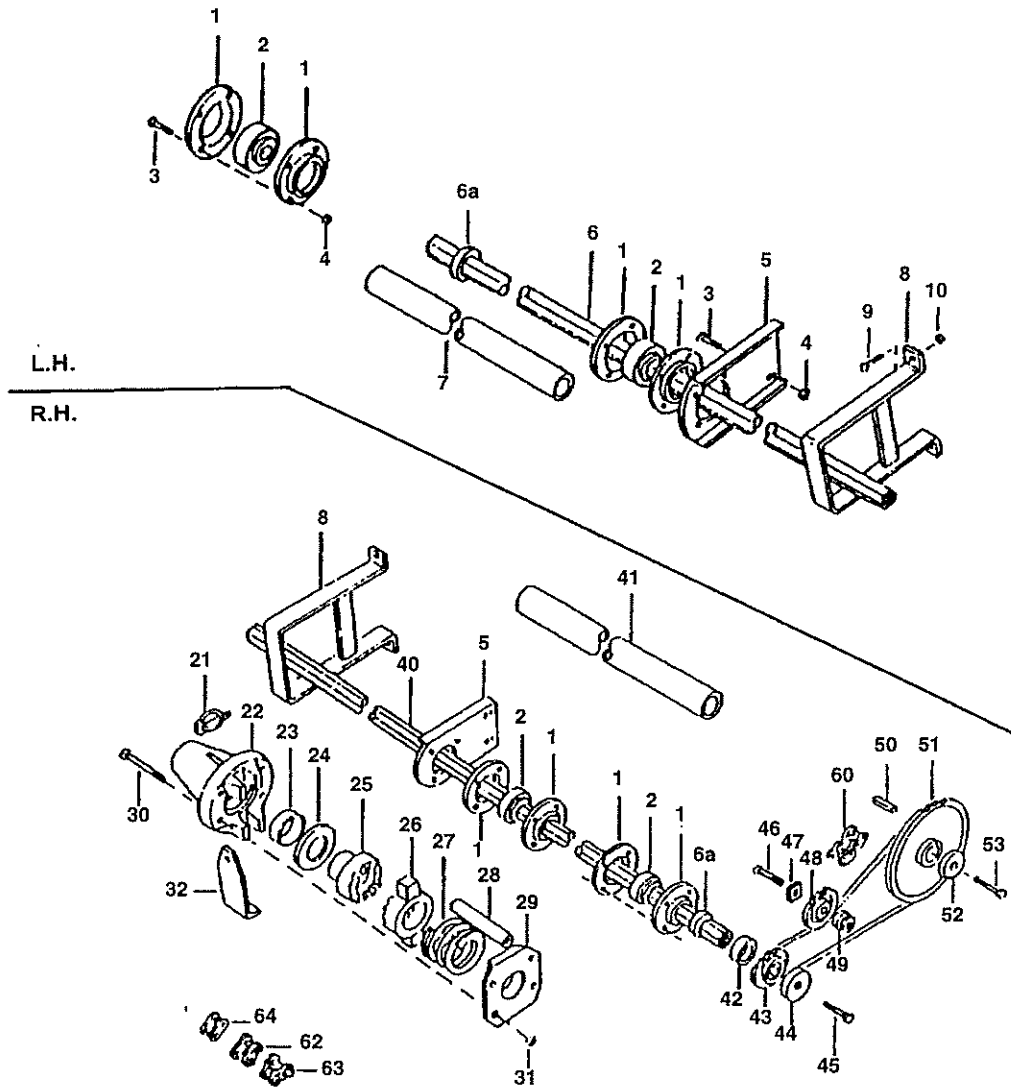
*ACCESSORY
MFH0012

B-15

38

MF 9700/9750 SERIES GRAIN HEADERS
AUGER

COUNTERSHAFTS



MFH0013

AUGER - COUNTERSHAFTS

Item	Part Number	Qty	Description
1	22520X	2	FLANGE, BEARING (13' P/U)
		4	FLANGE, BEARING (18'-20')
		8	FLANGE, BEARING (22' - 30')
2	1577800W1	1	BEARING (13' P/U)
		2	BEARING (18'-20')
		4	BEARING (22' - 30')
3	364224X1	4	BOLT, CARRIAGE(1/2-13 X 1 1/4)(13' P/U)
		8	BOLT, CARRIAGE(1/2-13 X 1 1/4)(18'&20')
		20	BOLT, CARRIAGE(1/2-13 X 1 1/4)(22'-30')
4	368644X1	4	NUT, HEX FLANGE LOCK(1/2-13)(13' P/U)
		8	NUT, HEX FLANGE LOCK(1/2-13)(18'&20')
		20	NUT, HEX FLANGE LOCK(1/2-13)(22'-30')
5	2524330W1	2	BRACKET, BEARING (22'-30')
6	148754M1	1	SHAFT, LEFT CNTRSHFT (71")(1803MM)(18')
	148755M1	1	SHAFT, LEFT CNTRSHFT (83")(2108MM)(20')
	148756M1	1	SHAFT, LEFT CNTRSHFT (95")(2413MM)(22')
	148757M1	1	SHAFT, LEFT CNTRSHFT (107")(2718MM)(24')
	103972W1	1	SHAFT, LEFT CNTRSHFT (113")(2870MM)(25')
	148758M1	1	SHAFT, LEFT CNTRSHFT (140")(3556MM)(30')
6a	148723M1	1	COLLAR (13' P/U)
		2	COLLAR (18'-30')
	358966X1	1	RING, RETAINING (13' P/U)(NOT SHOWN)
		2	RING, RETAINING (18'-30')(NOT SHOWN)
7	103940W1	1	TUBE GUARD, OUTER (64 3/4")(1645MM)(18')
	148712M1	1	TUBE GUARD, OUTER (76 3/4")(1949MM)(20')
	103943W1	1	TUBE GUARD, OUTER (62 3/4")(1594MM)(22')
	148711M1	1	TUBE GUARD, OUTER (74 1/2")(1892MM)(24')
	103944W1	1	TUBE GUARD, OUTER (81") (2057MM) (25')
	184710W1	1	TUBE GUARD, OUTER (71 1/2")(1816MM)(30')
	103942W1	1	TUBE GUARD, INNER (59 3/4")(1518MM)(30')
	148159M1	1	TUBE GUARD, INNER (23 3/4") (603MM)(22'-25')
	148158M1	1	TUBE GUARD, OUTER (58") (1473.2MM)A SERIES (25')
	147374M1	1	TUBE GUARD, OUTER (47 5/8") (1209.7MM) A SERIES (25 & 30')
	108386W1	1	TUBE GUARD, OUTER (57") (1447.8MM)A SERIES (25')
8	2611621W92	2	BRACKET ASY., SUPPORT
9	364534X1	2	BOLT, CARRIAGE (5/16-18 X 1) (13' P/U)
		4	BOLT, CARRIAGE (5/16-18 X 1) (18'-30')
10	104346W1	2	NUT, HEX FLANGE LOCK (5/16-18) (13' P/U)
		4	NUT, HEX FLANGE LOCK (5/16-18) (18'-30')
21	1752532M91	1	PIN ASY., KLIK
22	2500013W91	1	HUB ASY., DRIVE
23	1659610W1	1	BUSHING, DRIVE HUB
24	1659640W1	1	WASHER, THRUST
25	1659620W1	1	JAW, STATIONARY
26	1659630W1	1	JAW, MOVABLE
27	1659650W1	1	SPRING, CLUTCH (4 COILS, 3 5/16" FREE LENGTH) (84MM)
28	2565040W2	4	SPACER (4.00 LONG)
29	1659660W1	1	RETAINER, SPRING
30	354679X1	-	BOLT, HEX (1/2-13 X 6)
31	368644X1	4	NUT, HEX FLANGE LOCK(1/2-13)
32	2565010W1	1	KEY, FLAT LOCK
40	148742M1	1	SHAFT, RIGHT CNTRSHFT (39") (991MM)(13' P/U)
	148745M1	1	SHAFT, RIGHT CNTRSHFT(69")(1753MM)(18')
	148746M1	1	SHAFT, RIGHT CNTRSHFT(81")(2057MM)(20')
	148747M1	1	SHAFT, RIGHT CNTRSHFT(93")(2362MM)(22')
	148748M1	1	SHAFT, RIGHT CNTRSHFT(105")(2667MM)(24')
	103957W1	1	SHAFT, RIGHT CNTRSHFT(111")(2819MM)(25')
	148749M1	1	SHAFT, RIGHT CNTRSHFT(138")(3505MM)(30')
41	148706M1	1	TUBE GUARD, OUTER (28")(711MM)(13' P/U)
	148158M1	1	TUBE GUARD, OUTER (58")(1473MM)(18')
	148161M1	1	TUBE GUARD, OUTER (70")(1778MM)(20')
	103940W1	1	TUBE GUARD, OUTER (64 3/4")(1645MM)(22')
	148712M1	1	TUBE GUARD, OUTER (76 3/4")(1949MM)(24')
	103941W1	1	TUBE GUARD, OUTER (83")(2108MM)(25')
	148711M1	1	TUBE GUARD, OUTER (74 1/2")(1892MM)(30')
	148709M1	1	TUBE GUARD, INNER (51")(1295MM)(30')
	148705M1	1	TUBE GUARD, INNER (15")(381MM)(22'-25')
	108023W1	1	TUBE GUARD, OUTER (86.5") (2197.1MM)A SERIES (30')
	108385W1	1	TUBE GUARD, OUTER (39") (990.6MM)A SERIES (25' & 30')

AUGER - COUNTERSHAFTS

Item	Part Number	Qty	Description
42	2501880W1	1	SPACER (1 1/2 X 1 29/32 X 19/32") (38.1 X 48 X 15MM)
43	2501851W91	1	SPROCKET (14 TEETH)
44	103834W1	1	WASHER, SPECIAL FLAT
45	367451X1	1	BOLT, HEX LOCK (3/4 X 1 1/2)
46	364986X1	1	BOLT, CARRIAGE(5/8-11 X 2 1/4)
47	510060W1	1	SPACER, IDLER (SQUARE)
48	510061W1	1	SPROCKET, CHAIN (15 TEETH)
49	915891W1	1	NUT, HEX FLANGE LOCK(5/8-11)
50	2419030W1	1	KEY (3/8 X 1 3/4)
	364986X1	1	BOLT, CARRIAGE(5/8-11 X 2 1/4)
51	2499861W91	1	SPROCKET ASY. (45 TEETH)
52	2404700W1	1	WASHER
53	353726X1	1	BOLT, HEX (5/8-11 X 1 1/2)
60	2501833W91	1	*CHAIN ASY., AUGER DRIVE (3/4 PITCH #60, 98 PITCHES)
	840328M91	-	**CHAIN ASY.(3/4 PITCH #60)
62	369080X1	2	LINK, CONNECTING (3/4 PITCH #60, CLIP TYPE)
63	MP1359	-	***LINK, OFFSET (3/4 PITCH #60)
64	MP1356	-	***LINK, ROLLER (3/4 PITCH #60)

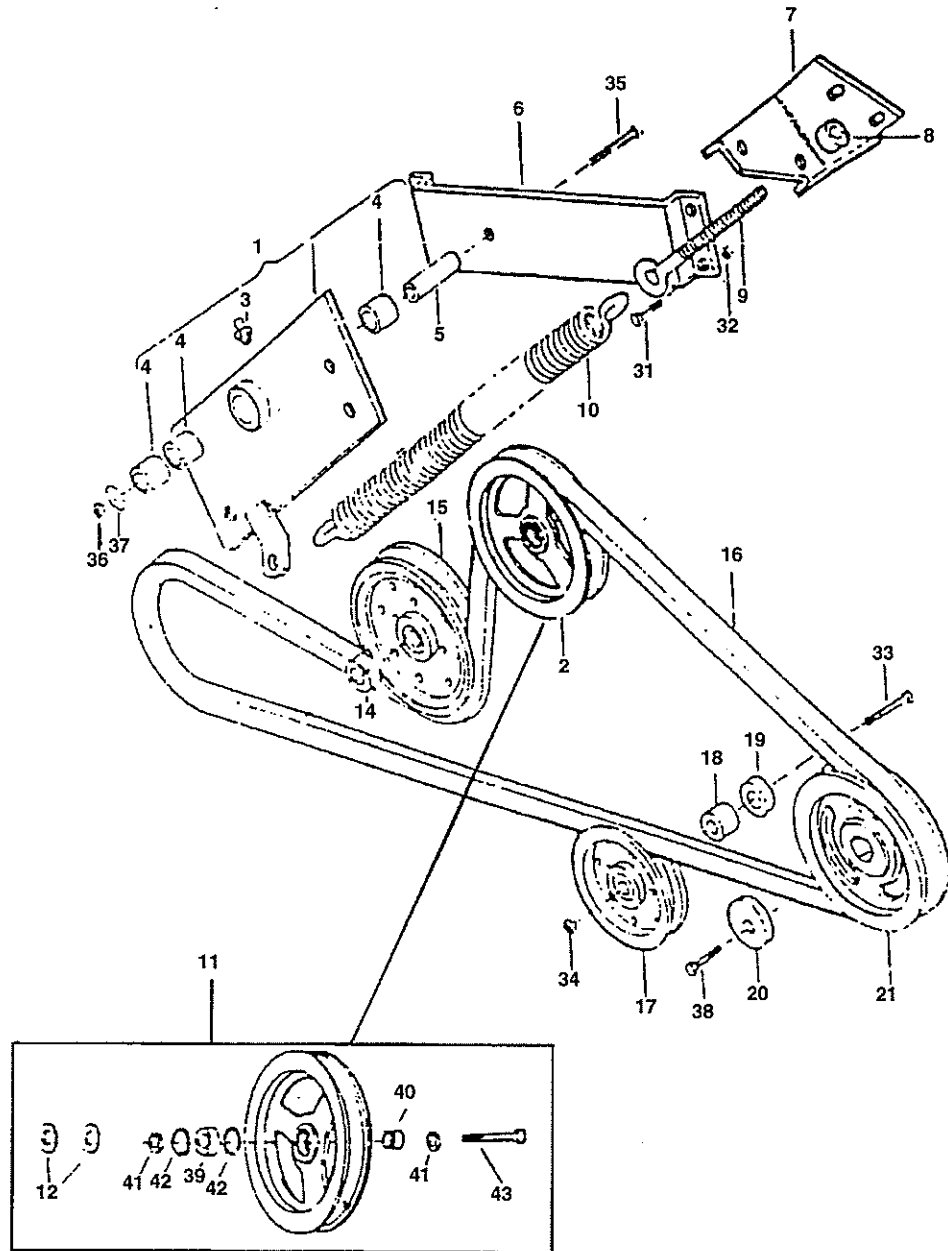
*TO BE MADE FROM REEL STOCK, PART NUMBER SHOWN FOR REFERENCE ONLY.
 **PART NUMBER SHOWN IS FOR (1) FOOT OF REEL STOCK, FROM WHICH CHAIN IS TO BE MADE.
 ***NOT PART OF ASY.. SHOWN IF NEEDED FOR REPAIRS.
 MFH0013

B-19

42

MF 9700/9750 SERIES GRAIN HEADERS
FRAME

KNIFE DRIVE



MFH0014

FRAME - KNIFE DRIVE

Item	Part Number	Qty	Description
1	2505733W92	1	PLATE ASEMBLY, PIVOT
2	31-2446490	1	PULLEY, IDLER (7 5/16")
	355621X1	1	WASHER (1/2")
	360637X1	1	SPACER
	354651X1	1	BOLT, HEX (1/2-13 X 2 1/2)
3	70914465	1	FITTING, LUBE (1/8-27 NPTF)
4	1689170W1	3	BUSHING (1 X 1 15/64 X 3/4") (25.4 X 31.3 X 19MM)
5	2441490W1	1	SLEEVE (41/64 X 63/64 X 3 1 1/6") (16.3 X 25 X 78MM)
6	2547620W1	1	BRACKET, SUPPORT IDLER
7	2525331W91	1	BRACKET ASY., SPRING ANCHOR
8	1810870W1	1	WASHER, SPHERICAL
9	2530580W1	1	ROD, PULL
10	1573290W1	1	SPRING (4 COILS, 13.9") (353MM)
11	272485M2	1	PULLEY, CAST (ORDER ITEM 2)
12	60049M1	2	SPACER (1.5 X .375") (38.1 X 9.5MM)
14	2547630W1	1	SPACER, PULLEY (1.25 X .66 X 8.4") (31.8 X 16.8 X 213MM)
15	71306443	1	PULLEY, IDLER (7 3/4") (197MM)
	915891W1	1	NUT, HEX FLANGE LOCK (5/8-11)
	353937X1	1	BOLT, HEX (5/8-11 X 2 3/4)
16	2543650W1	1	BELT, KNIFE DRIVE (125") (3175MM)
17	2565050W1	1	*PULLEY, IDLER (5 3/4") (146MM)
18	2563260W1	1	*SPACER(9/16 X .90")(14.3 X 22.9MM)
19	9150450W1	1	*SPACER (1.25 X .53 X .18") (31.8 X 13.5 X 22MM)
20	103834W1	1	WASHER, SPECIAL FLAT
	358966X1	1	RING, EXTERNAL RETAINING
	148723M1	1	COLLAR
21	108447W1	1	PULLEY, DRIVE (7.50") LOW SPEED
	108448W1	1	PULLEY, DRIVE (8.37") HIGH SPEED
	2532880W1	1	SHEAVE, DRIVE (7.4IN)(ORDER 108447W1)
	2570460W1	1	SHEAVE, DRIVE (8 3/8")(ORDER 108448W1)
31	353690X1	-	BOLT, HEX (3/8-16 X 7/8)
32	364217X1	-	NUT, HEX FLANGE LOCK (3/8-16)
33	364979X1	-	BOLT, CARRIAGE (1/2-13 X 3)
34	368644X1	-	NUT, HEX FLANGE LOCK (1/2-13)
35	364991X1	-	BOLT, CARRIAGE (5/8-11 X 4 1/4)
37	831779M1	-	WASHER, SQ. HOLE(21/32 X 1 5/16 X 5/64") (16.7 X 33.3 X 2MM)
38	367451X1	1	BOLT, HEX LOCK (3/4 X 1 1/2)
39	K3352	1	BEARING, BALL
40	368944X1	1	SPACER, STEEL
41	355621X1	2	WASHER (1/2)
42	208230M1	2	RING, INTERNAL RETAINING
43	354651X1	1	BOLT, HEX (1/2-13 X 2 1/2)

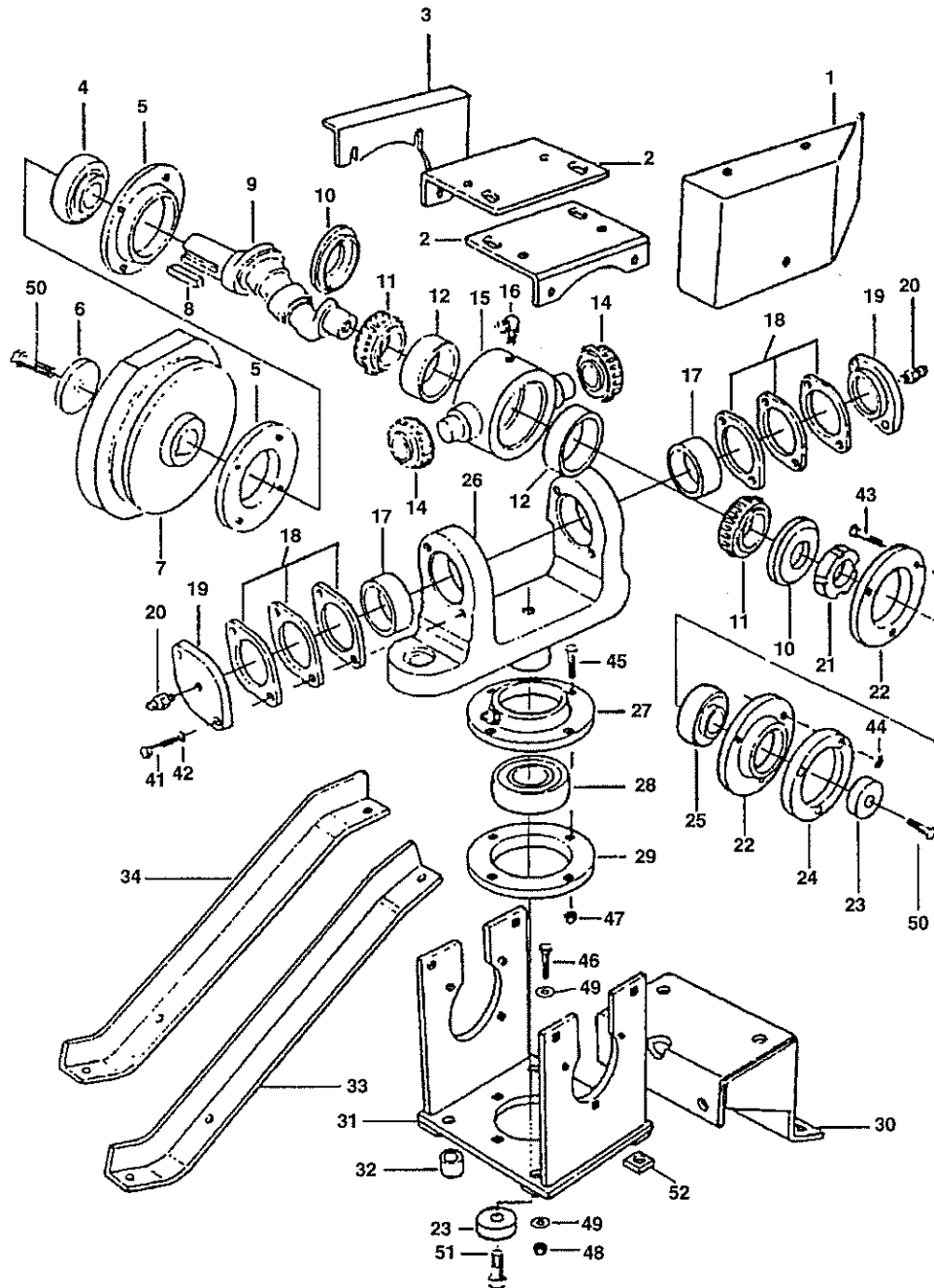
*USED WITH (30') (91.M) HEADER ONLY
MFH0014

B-21

44

MF 9700/9750 SERIES GRAIN HEADERS
FRAME

WOBBLE BOX



MFH0015

FRAME - WOBBLE BOX

Item	Part Number	Qty	Description
	2586403W91	1	WOBBLE BOX ASY. (REPAIR) (INCL. ITEMS 2-5, 9-29 & 31)
1	2595861W91	1	SHIELD ASY., WOBBLE BOX
2	2467360W1	2	COVER, ANGLE
3	2595870W1	1	GUARD, BELT
4	844568M1	1	BEARING, BALL
5	22520X	2	FLANGE, BEARING
6	2495950W1	1	WASHER (1 17/32 X 2 1/8 X 3/8") (39 X 54 X 9.5MM)
7	2532380W1	1	SHEAVE, WOBBLE DRIVE (8.38")
8	800284M1	1	KEY, SQUARE (3/8)
9	2505460W1	1	SHAFT, WOBBLE
10	2467310W1	2	SEAL, WOBBLE SHAFT
11	833095M1	2	CONE, BEARING
12	833094M1	2	CUP, BEARING
14	70531251	2	CONE, BEARING
15	2504560W1	1	HOUSING, BEARING
16	70915276	1	GREASE FITTING (1/8 NPTF, 90DEG.)
17	354369X1	2	CUP, BEARING
18	2541210W1	-	SHIM, BEARING CAP (.002 RED)
	2541220W1	-	SHIM, BEARING CAP (.010 BROWN)
	2541230W1	-	SHIM, BEARING CAP (.005 BLUE)
19	2504550W1	2	CAP, BEARING
20	70914465	2	FITTING, LUBE (1/8-27 NPTF)
21	2467320W1	1	RETAINER, WOBBLE SHAFT
22	541388M2	2	FLANGE, BEARING
23	2540100W1	2	WASHER (.53ID X 1.75OD X .31") (13.5 X 44 X 7.9MM)
24	2531990W1	1	SPACER, FLANGE
25	10033	1	BEARING, BALL
26	2558950W2	1	YOKE, WOBBLE BOX
27	2467290W91	1	FLANGETTE ASY.
28	50468	1	BEARING, BALL
29	2467280W1	1	FLANGE, BEARING
30	2557751W92	1	BRACKET ASY., WOBBLE BOX (9700)
31	2467371W92	1	SUPPORT ASY., WOBBLE DRIVE
32	2532890W1	4	SPACER (.53ID X 1.00OD X .75") (13.5 X 25.4 X 19MM)(9700) (PRIOR S/N N23701)
33	2561720W1	1	BRACE, WOBBLE BOX (9700)
34	2581290W1	1	BRACE, WOBBLE BOX (9750)
41	353679X1	-	BOLT, HEX (5/16-18 X 1)
42	353446X1	-	WASHER, LOCK (5/16)
43	364965X1	-	BOLT, CARRIAGE (3/8-16 X 1 1/2)
44	364217X1	-	NUT, HEX FLANGE LOCK (3/8-16)
45	364224X1	-	BOLT, CARRIAGE (1/2-13 X 1 1/4)
46	369251X1	4	BOLT, HEX SAE 8 (1/2-13 X 2 1/2) (QTY. 2 FOR 9750)
	366909X1	2	BOLT, HEX SAE 8 (1/2-13 X 2 3/4)(9750)
47	368644X1	-	NUT, HEX FLANGE LOCK (1/2-13)
48	368384X1	4	NUT, HEX LOCK SAE 8 (1/2-13)
49	353773X1	8	WASHER, HARDENED FLAT (1/2)
50	353689X1	2	BOLT, HEX (3/8-16 X 3/4)
51	354651X1	1	BOLT, HEX (1/2-13 X 2 1/2)
52	2608880W1	4	SPACER, FRONT & REAR (1 X 1.5 X .75, .53ID)(9750)(PRIOR N23701)

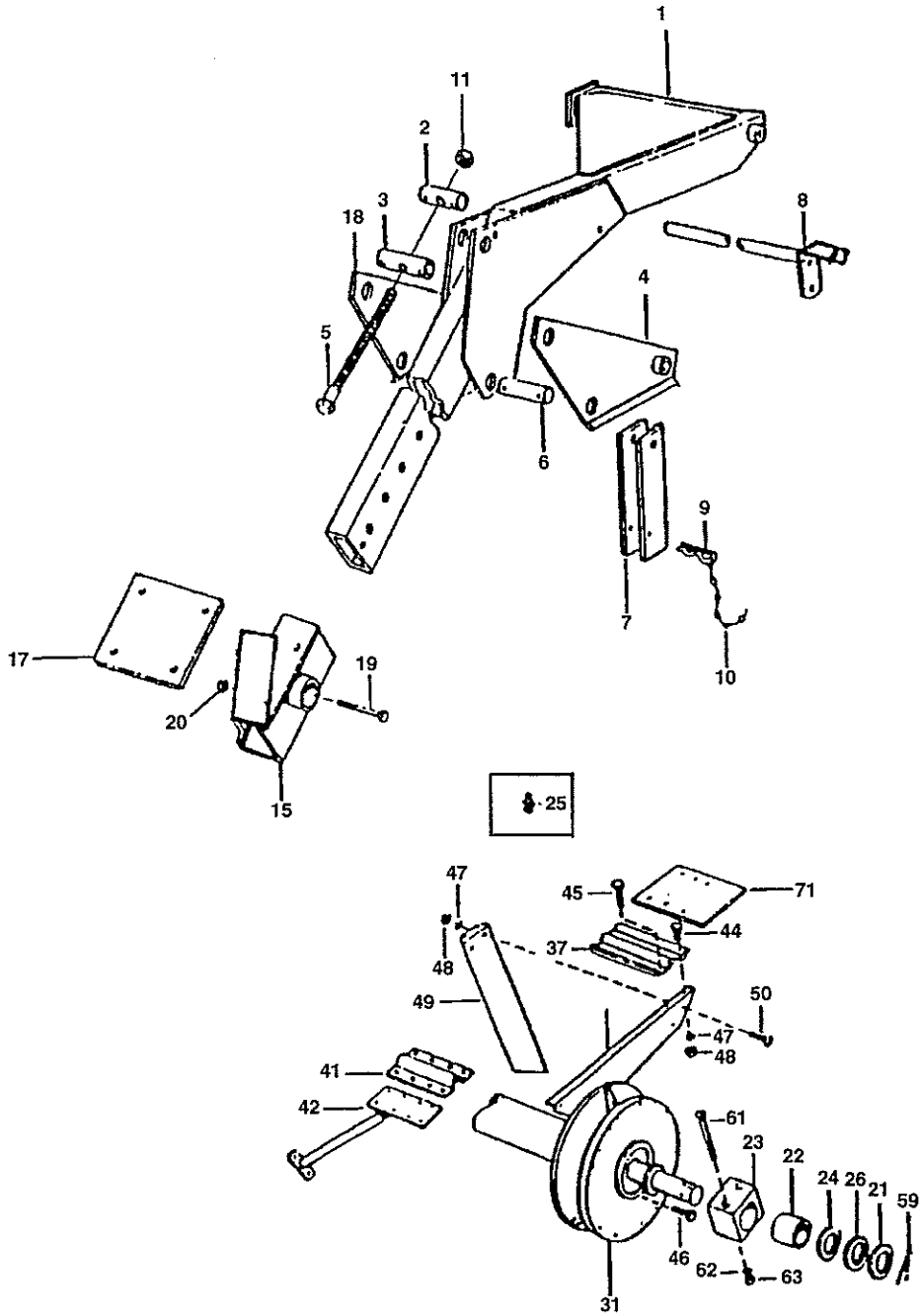
MFH0015

B-23

46

MF 9700/9750 SERIES GRAIN HEADERS
REEL

REEL ARMS & METAL BAT REEL



MFH0016

REEL - REEL ARMS & METAL BAT REEL

Item	Part Number	Qty	Description
1	2558091W92	1	ARM ASY., LEFT REEL (18'-30')
	2558101W92	1	ARM ASY., RIGHT REEL (18'-30')
2	2558240W1	2	PIN, REEL ADJUSTMENT (3 5/16") (84MM) (18'-30')
3	2558230W1	2	PIN, REEL ADJUSTMENT (3 11/16") (94MM) (18'-30')
4	2558171W92	2	PLATE ASY. (18'-30')
5	2558210W1	2	BOLT, HEX SPECIAL (1/2-13) X 9) (8 1/4 THREAD)
6	2558330W1	2	PIN (3 11/16") (94MM) (18'-30')
7	2521580W1	2	CHANNEL, CYLINDER STOP (18'-30')
8	2635451W91	2	SHAFT, PIVOT (17") (432MM) (18'-30')
9	2514740W1	2	PIN, HAIR (18'-30')
10	2558220W1	2	CHAIN (18'-30')
11	375098X1	2	NUT, HEX (1/2-13) (18'-30')
15	101408M91	1	BRACKET ASY. (LH) (18'-30')
	101407M91	1	BRACKET ASY. (RH) (18'-30')
17	101427M2	2	PLATE, REEL SUPPORT (18'-30')
18	148290M91	2	BRACKET ASY. (18'-30')
19	354657X1	2	BOLT, HEX (1/2-13 X 3 1/4) (18'-30')
20	369066X1	2	NUT, LOCKING (1/2-13) (18'-30')
21	222205M1	1	WASHER, RETAINING (1 5/16 X 2 1/16 X 5/64")(33 X 52 X 2MM) (18'-30')
22	222161M2	2	BUSHING (NYLON) (1 9/32 X 1 1/2 X 2") (32.5 X 38.1 X 50.8MM) (18'-30')
23	282199M2	2	HOUSING, LEFT & RIGHT (18'-30')
24	832066M1	5	WASHER (1 5/16 X 1 7/8 X .132") (33 X 48 X 3.3MM) (18'-30')
25	13811X	2	FITTING, GREASE (18'-30')
26	10965X	-	WASHER (1 11/32 X 2 X 1/16") (34 X 50.8 X 1.6MM) (18'-30')
31	148051M91	1	SHAFT ASY., REEL (18')
	148052M91	1	SHAFT ASY., REEL (20')
	148128M91	1	SHAFT ASY., REEL (22')
	148127M91	1	SHAFT ASY., REEL (24')
	104042W91	1	SHAFT ASY., REEL (25')
	101428M91	1	SHAFT ASY., REEL (30')
35	282313M2	15	ARM, LEFT (18')
		20	ARM, LEFT (20')
		25	ARM, LEFT (22'-25')
		30	ARM, LEFT (30')
	282314M2	5	ARM, RIGHT (18'-30')
37	104050W1	5	BAT, REEL (211.44") (5371MM) (18')
	104049W1	5	BAT, REEL (235.44") (5980MM) (20')
	104047W1	5	BAT, REEL (258.5") (6566MM) (22')
	104046W1	5	BAT, REEL (282.5") (7176MM) (24')
	104045W1	5	BAT, REEL (294.5") (7480MM) (25')
	104048W1	5	BAT, REEL (348.5") (8852MM) (30')
41	104038W1	10	BRACKET, REEL (30')
42	282318M92	5	BRACE ASY. (LEFT) (30')
	282319M92	5	BRACE ASY. (RIGHT) (30')
44	353676X1	-	BOLT, HEX (5/16-18 X 5/8) (18'-30')
45	353677X1	-	BOLT, HEX (5/16-18 X 3/4) (30')
46	353679X1	-	BOLT, HEX (5/16-18 X 1) (30')
47	353755X1	-	WASHER, NARROW FLAT (5/16) (18'-30')
48	104346W1	-	NUT, HEX FLANGE LOCK (5/16-18) (18'-30')
40	104040W91	5	SHIELD ASY., LEFT (18'-30')
	104041W91	5	SHIELD ASY., RIGHT (18'-30')
50	353676X1	-	BOLT, HEX (5/16-18 X 5/8) (18'-30')
59	354092X1	-	PIN, COTTER(1/4 X 1 3/4")(6.4 X 44MM) (18'-30')
61	364967X1	-	BOLT, CARRIAGE (3/8-16 X 2 3/4)(18'-30')
62	353434X1	-	WASHER, LOCK (3/8) (18'-30')
63	355566X1	-	NUT, HEX (3/8-16) (18'-30')
71	1123360W1	10	FLAP, END (18'-30')

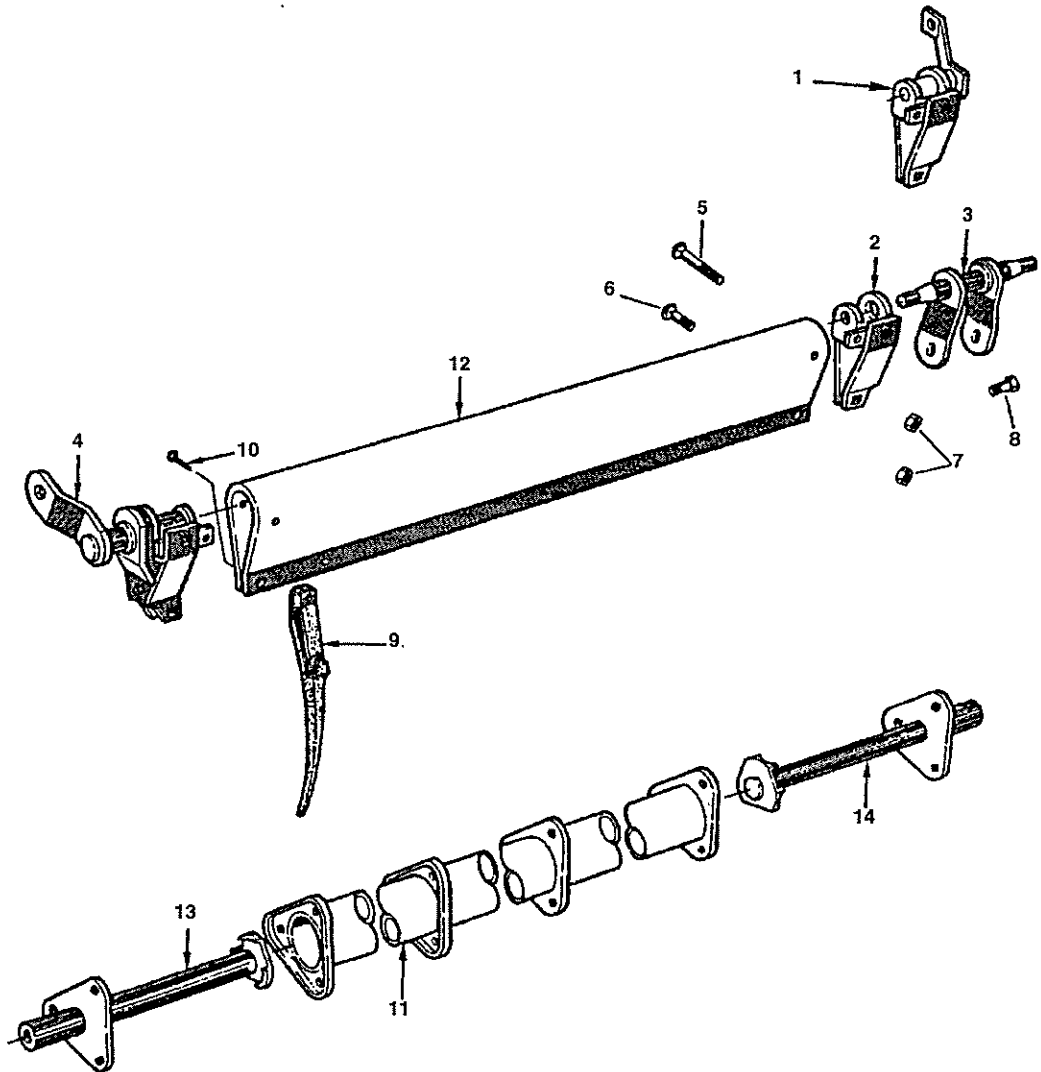
MFH0016

C-3

50

MF 9700/9750 SERIES GRAIN HEADERS
REEL

PICKUP REEL
METAL BATS (POLYTINE)



MFH0017

REEL - PICKUP REEL, METAL BATS (POLYTINE)

Item	Part Number	Qty	Description
1	1077176M91	6	BRACKET, END PIVOT (RH) (20', 24' & 30')
2	2763152M91	24	RETAINER ASY., CENTER SPIDER BAT (20' & 24')
		36	RETAINER ASY., CENTER SPIDER BAT (30')
3	71345313	12	BRACKET, SPIDER PIVOT (20' & 24')
		18	BRACKET, SPIDER PIVOT (30')
4	1077177M91	6	BRACKET, END PIVOT (LH) (20', 24' & 30')
5	364885X1	36	BOLT, CARRIAGE SHORT SQUARE (5/16-18 X 2 1/2) (20' & 24')
		48	BOLT, CARRIAGE SHORT SQUARE (5/16-18 X 2 1/2) (30')
6	360500X1	36	BOLT, CARRIAGE SHORT SQUARE (5/16-18 X 5/8) (20' & 24')
		48	BOLT, CARRIAGE SHORT SQUARE (5/16-18 X 5/8) (30')
7	368834X1	72	NUT, HEX LOCK (5/16-18) (20' & 24')
		96	NUT, HEX LOCK (5/16-18) (30')
8	2763155M1	24	BOLT, HEX FLANGE HEAD LOCK (5/16-24 X 5/8) (20' & 24')
		36	BOLT, HEX FLANGE HEAD LOCK (5/16-24 X 5/8) (30')
9	2763156M1	270	FINGER, REEL (PLASTIC) (20')
		330	FINGER, REEL (PLASTIC) (24')
		408	FINGER, REEL (PLASTIC) (30')
10	2763192M1	270	SCREW, SELF-TAPPING (#8-32 X 3/4) (20')
		330	SCREW, SELF-TAPPING (#8-32 X 3/4) (24')
		408	SCREW, SELF-TAPPING (#8-32 X 3/4) (30')
11	2763129M91	1	SHAFT, CENTER (20')
	2763133M91	1	SHAFT, CENTER (24')
	2763134M91	1	SHAFT, CENTER (30')
12	2763143M91	18	BAT ASY., WITH FINGERS (73 3/4") (1873MM) (20')
	2763147M91	6	BAT ASY., WITH FINGERS (91 3/4") (2330MM) (24')
	2763146M91	12	BAT ASY., WITH FINGERS (88 3/4") (2254MM) (24')
	2763148M91	12	BAT ASY., WITH FINGERS (84 1/2") (2146MM) (30')
	2763145M91	12	BAT ASY., WITH FINGERS (81 3/4") (2076MM) (30')
13	2763162M91	1	SHAFT, DRIVING END (RH) (20' & 24')
	2763163M91	1	SHAFT, DRIVING END (RH) (30')
14	2763165M91	1	SHAFT, DRIVEN END (LH) (20' & 24')
	71338146	1	SHAFT, DRIVEN END (LH) (30')

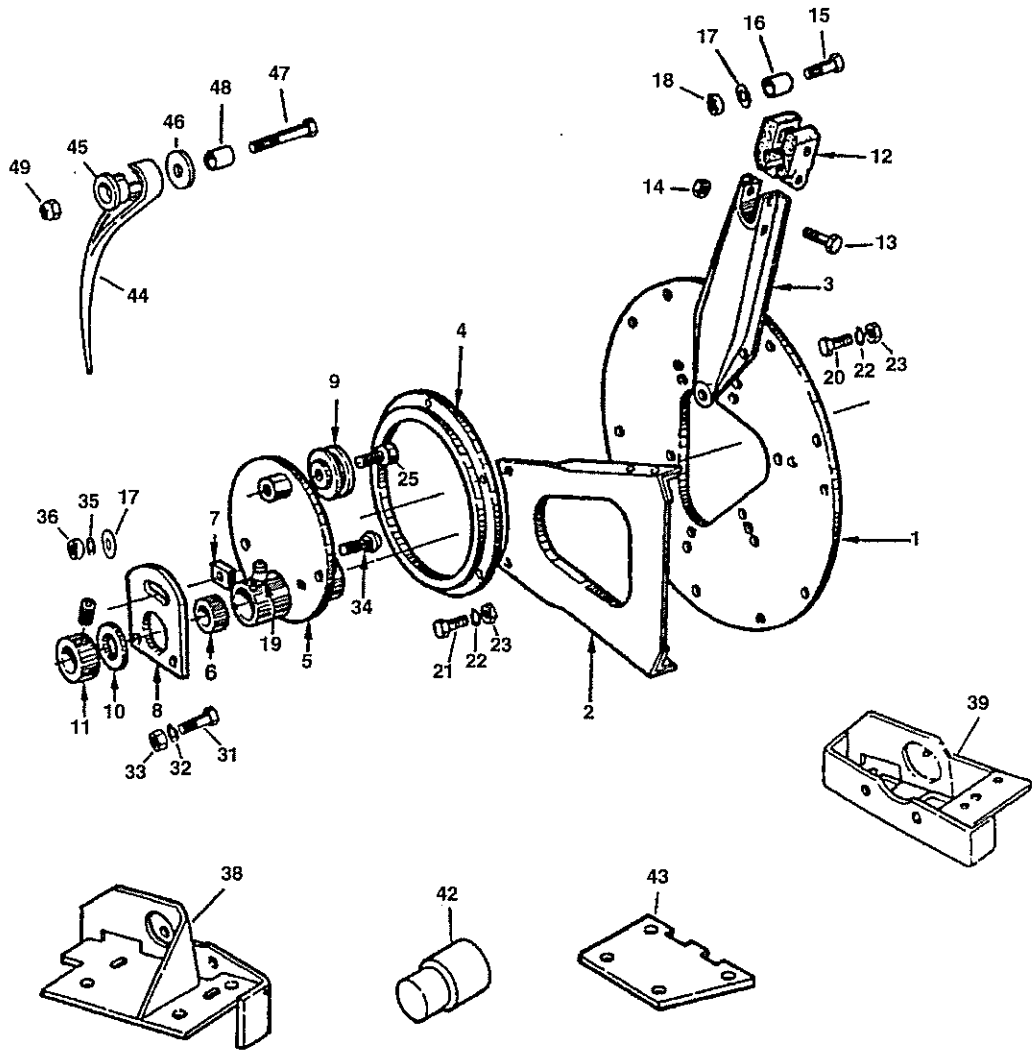
MFH0017

C-5

52

MF 9700/9750 SERIES GRAIN HEADERS
REEL

PICKUP REEL
ECCENTRIC & SPIDER PLATES
(POLYTINE)



MFH0018

REEL - PICKUP REEL, ECCENTRIC & SPIDER PLATES, (POLYTINE)

Item	Part Number	Qty	Description
1	2763172M1	4	SPIDER PLATE (20' & 24')
		5	SPIDER PLATE (30')
2	2763173M1	12	SHIELD, ECCENTRIC (20', 24' & 30')
3	71345065	24	REEL ARM (20' & 24')
		30	REEL ARM (30')
4	71136185	2	RING, ECCENTRIC CONTROL (20', 24' & 30')
5	2763176M91	2	FRAME, ECCENTRIC ROLLER (INCL. 2 OF IT. 6)(20', 24' & 30')
6	2763177M1	4	BEARING, SUPER OILITE (1 3/4OD X 1 9/16ID X 1 1/2)(20', 24' & 30')
7	2763178M1	2	SPACER (20', 24' & 30')
8	2763179M1	2	PLATE, ECCENTRIC SLOT ADJ. (20', 24' & 30')
9	71141240	6	BEARING, BALL ROLLER (20', 24' & 30')
10	2763181M1	4	WASHER, FLAT SPECIAL (2 1/4OD X 1 5/8ID X 11GA.)(20', 24' & 30')
11	2763182M1	2	COLLAR, LOCK W/SET SCREWS (20', 24' & 30')
12	2763183M1	72	BEARING, REEL ARM (20' & 24')
		84	BEARING, REEL ARM (30')
13	354601X1	72	BOLT, HEX (1/4-20 X 1 3/4) (20' & 24')
		84	BOLT, HEX (1/4-20 X 1 3/4) (30')
14	367480X1	72	NUT, HEX LOCK (1/4-20) (20' & 24')
		84	NUT, HEX LOCK (1/4-20) (30')
15	354280X1	12	BOLT, HEX (1/2-13 X 2) (20', 24' & 30')
16	2763184M1	12	SPACER, TUBING (.84OD X .51ID X 1.12") (20', 24' & 30')
17	355621X1	14	WASHER, WIDE FLAT (1/2) (20', 24' & 30')
18	369066X1	12	NUT, HEX LOCK (1/2-13) (20', 24' & 30')
19	70914465	2	FITTING, LUBE (1/8-27 NPTF) (20', 24' & 30')
20	353675X1	72	BOLT, HEX (5/16-18 X 1/2) (20' & 24')
		90	BOLT, HEX (5/16-18 X 1/2) (30')
21	353677X1	12	BOLT, HEX (5/16-18 X 3/4)(20',24' & 30')
22	353446X1	84	WASHER, LOCK (5/16) (20' & 24')
		102	WASHER, LOCK (5/16) (30')
23	355565X1	84	NUT, HEX (5/16-18) (20' & 24')
		102	NUT, HEX (5/16-18) (30')
25	369202X1	4	BOLT, HEX HEAD (3/8-16 X 1 3/4) (20',24' & 30')
	354269X1	2	BOLT, HEX (3/8-16 X 2 1/2) (20', 24' & 30')
31	353700X1	4	BOLT, HEX (7/16-14 X 1 1/4) (20', 24' & 30')
32	353432X1	4	WASHER, LOCK (7/16) (20', 24' & 30')
33	355645X1	4	NUT, HEX (7/16-14) (20', 24' & 30')
34	364975X1	2	BOLT, CARRIAGE (1/2-13 X 1 3/4) (20',24' & 30')
35	353439X1	2	WASHER, LOCK (1/2) (20', 24' & 30')
36	375098X1	2	NUT, HEX (1/2-13) (20', 24' & 30')
38	2763167M91	1	BRACKET, ECCENTRIC LH (20', 24' & 30')
39	2763168M91	1	BRACKET, ECCENTRIC RH (20', 24' & 30')
42	2763170M1	1	EXTENSION, DRIVE STOP (20', 24' & 30')
43	2763169M1	2	PLATE, ADAPTER (20', 24' & 30')
44	71352505	12	FINGER, AUXILIARY (PLASTIC) (20', 24' & 30')
45	71352506	12	BRACKET, AUXILIARY FINGER
46	2763187M1	12	RETAINER, AUXILIARY FINGER
47	2763190M1	12	BOLT, HEX SHANK(1/2-20 X 2 1/2)
48	2763189M1	12	SPACER, TUBING(.81OD X .57ID X 1.25)
49	2763191M1	12	NUT, HEX FLANGE LOCK (1/2-20) (20', 24' & 30')

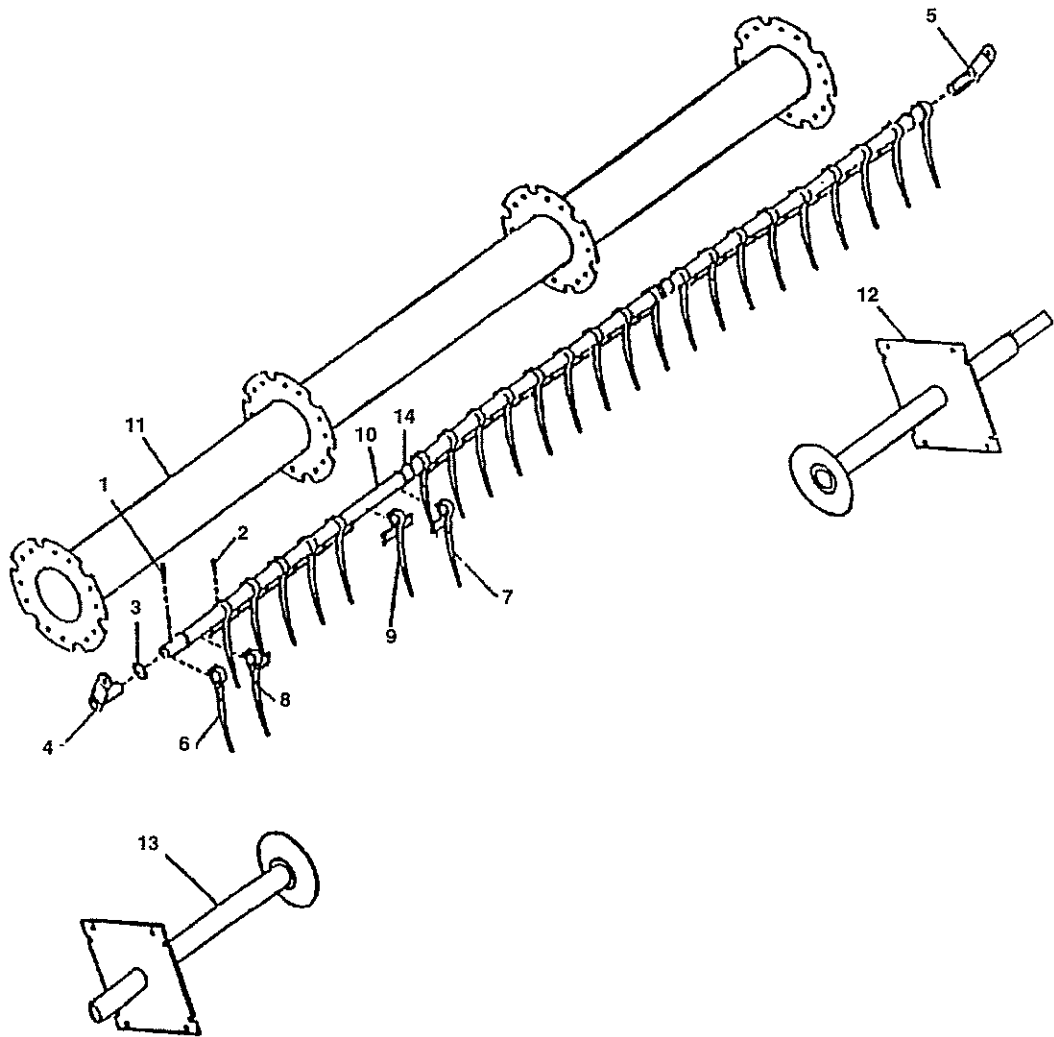
MFH0018

C-9

56

MF 9700/9750 SERIES GRAIN HEADERS
REEL

PICKUP REEL
ROUND BATS (ML)



MFH0019

REEL - PICKUP REEL, ROUND BATS (ML)

Item	Part Number	Qty	Description
1	1077750M1	48	PIN, SLOTTED SPRING (#8) (18' - 22')
		60	PIN, SLOTTED SPRING (#8) (25 & 30')
2	1077751M1	288	SCREW, SPECIAL (18')
		306	SCREW, SPECIAL (20')
		354	SCREW, SPECIAL (22')
		396	SCREW, SPECIAL (25')
		468	SCREW, SPECIAL (30')
3	71367254	48	FLAT WASHER, SPL. (18' - 22')
		60	FLAT WASHER, SPL. (25 & 30')
4	71367251	6	ARM, CRANK (LH) (18'-30')
5	71367252	6	ARM, CRANK (RH) (25 & 30')
6	1077755M1	12	FINGER, PLASTIC (END) (18'-30')
7	1077756M1	18	FINGER, PLASTIC (RH) (18' - 22')
		24	FINGER, PLASTIC (RH) (25 & 30')
8	1077757M1	18	FINGER, PLASTIC (LH) (18' - 22')
		24	FINGER, PLASTIC (LH) (25 & 30')
9	71367261	240	FINGER, PLASTIC (18')
		258	FINGER, PLASTIC (20')
		306	FINGER, PLASTIC (22')
		336	FINGER, PLASTIC (25')
		408	FINGER, PLASTIC (30')
10	1077765M1	6	TUBE, FINGER SUPPORT (18')
	1077766M1	6	TUBE, FINGER SUPPORT (20')
	1077767M1	6	TUBE, FINGER SUPPORT (22')
	1077769M1	6	TUBE, FINGER SUPPORT (25')
	1077770M1	6	TUBE, FINGER SUPPORT (30')
11	1077759M91	1	SHAFT, CENTER (6"OD)(152MMOD) (18')
	1077760M91	1	SHAFT, CENTER (6"OD)(152MMOD) (20')
	1077761M91	1	SHAFT, CENTER (8"OD)(203MMOD) (22')
	1077763M91	1	SHAFT, CENTER (8"OD)(203MMOD) (25')
	1077764M91	1	SHAFT, CENTER (8"OD)(203MMOD) (30')
12	1077775M91	1	SHAFT, DRIVING END(FOR 6" TUBE)(18'-20')
	1077774M91	1	SHAFT, DRIVING END(FOR 8" TUBE) (22')
	1077776M91	1	SHAFT, DRIVING END(FOR 8" TUBE) (25 & 30')
13	71367247	1	SHAFT, DRIVEN END (FOR 6" TUBE)(18'-20')
	71367246	1	SHAFT, DRIVEN END (FOR 8" TUBE) (22', 25 & 30')
14	71369633	36	WASHER, PLASTIC THRUST (18'-30')

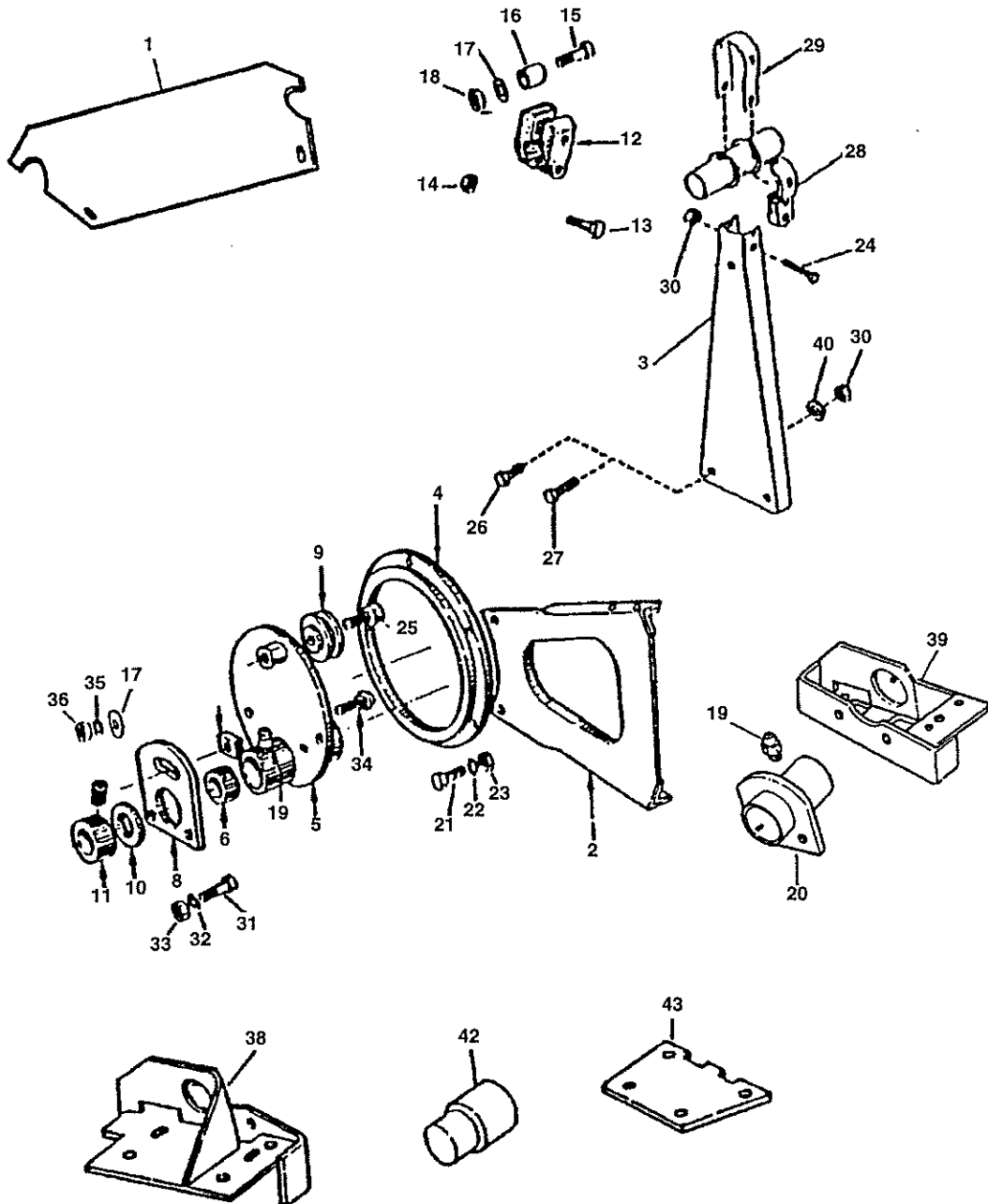
MFH0019

C-11

58

MF 9700/9750 SERIES GRAIN HEADERS
REEL

PICKUP REEL
ECCENTRIC & SPIDER PLATES
(ML - EARLY STYLE)



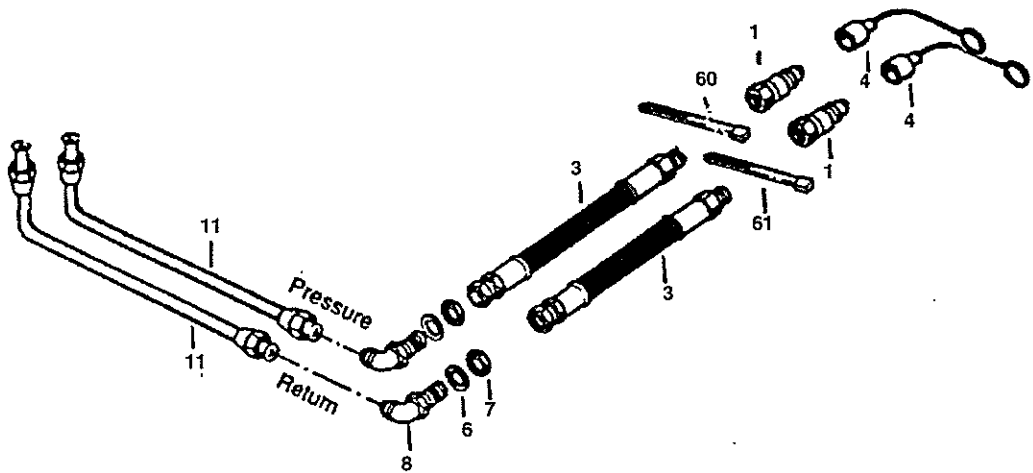
MFH0020

Item	Part Number	Qty	Description STYLE)
1	1079449M1	6	SHIELD, END, SINGLE ECCENTRIC (18'-22')
2	2763173M1	6	SHIELD, ECCENTRIC (18' - 22')
		12	SHIELD, ECCENTRIC (25 & 30')
3	71367257	24	ARM, REEL (18')-22
		30	ARM, REEL (25 & 30')
4	71136185	1	RING, ECCENTRIC CONTROL (18' - 22')
		2	RING, ECCENTRIC CONTROL (25 & 30')
5	2763176M91	1	FRAME, ECCENTRIC ROLLER (INCL. 2 OF IT. 6)(18' - 22')
		2	FRAME, ECCENTRIC ROLLER (INCL. 2 OF IT. 6)(25 & 30')
6	2763177M1	4	BEARING, SUPER OILITE (1 3/4OD X 1 9/16ID X 1 1/2) (18'-30')
7	2763178M1	1	SPACER (18' - 22')
		2	SPACER (25 & 30')
8	2763179M1	1	PLATE, ECCENTRIC SLOT ADJ. (18' - 22')
		2	PLATE, ECCENTRIC SLOT ADJ. (25 & 30')
9	71141240	3	BEARING, BALL ROLLER (18' - 22')
		6	BEARING, BALL ROLLER (25 & 30')
10	2763181M1	4	WASHER, FLAT SPECIAL (2 1/4OD X 1 5/8ID X 11GA.) (18'-30')
11	2763182M1	2	COLLAR, LOCK W/SET SCREWS (18'-30')
12	2763183M1	12	BEARING, REEL ARM (18' - 22')
		24	BEARING, REEL ARM (25 & 30')
13	354601X1	12	BOLT, HEX (1/4-20 X 1 3/4) (18' - 22')
		24	BOLT, HEX (1/4-20 X 1 3/4) (25 & 30')
14	367480X1	12	NUT, HEX LOCK (1/4-20) (18' - 22')
		24	NUT, HEX LOCK (1/4-20) (25 & 30')
15	354280X1	6	BOLT, HEX (1/2-13 X 2) (18' - 22')
		12	BOLT, HEX (1/2-13 X 2) (25 & 30')
16	2763184M1	6	SPACER, TUBING (.84OD X .51ID X 1.12) (18' - 22')
		12	SPACER, TUBING (.84OD X .51ID X 1.12) (25')&(30')
17	355621X1	7	WASHER, WIDE FLAT (1/2) (18' - 22')
		14	WASHER, WIDE FLAT (1/2) (25 & 30')
18	369066X1	6	NUT, HEX LOCK (1/2-13) (18' - 22')
		12	NUT, HEX LOCK (1/2-13) (25 & 30')
19	70914465	2	FITTING, LUBE (1/8-27 NPTF) (18'-30')
20	1079450M1	1	*SUPPORT, REEL (18' - 22')
21	353677X1	6	BOLT, HEX (5/16-18 X 3/4) (18' - 22')
		12	BOLT, HEX (5/16-18 X 3/4) (25 & 30')
22	353446X1	6	WASHER, LOCK (5/16) (18' - 22')
		12	WASHER, LOCK (5/16) (25 & 30')
23	355565X1	6	NUT, HEX (5/16-18) (18' - 22')
		12	NUT, HEX (5/16-18) (25 & 30')
24	339019X1	24	BOLT, HEX (M10 X 1.5 X 50) (18' - 22')
		30	BOLT, HEX (M10 X 1.5 X 50) (25 & 30')
25	369202X1	2	BOLT, HEX (3/8-16 X 1 3/4) (18' - 22')
		4	BOLT, HEX (3/8-16 X 1 3/4) (25 & 30')
26	3009492X1	40	BOLT, HEX (M10 X 1.5 X 25) (18' - 22')
		52	BOLT, HEX (M10 X 1.5 X 25) (25 & 30')
27	339451X1	8	BOLT, HEX (M10 X 1.5 X 30) (18'-30')
28	71367256	48	BEARING, REEL ARM (18' - 22')
		60	BEARING, REEL ARM (25 & 30')
29	71367255	24	STRAP, BEARING (18' - 22')
		30	STRAP, BEARING (25 & 30')
30	390345X1	72	NUT, HEX LOCK (M10 X 1.5) (18' - 22')
		90	NUT, HEX LOCK (M10 X 1.5) (25 & 30')
31	353700X1	4	BOLT, HEX (7/16-14 X 1 1/4) (18'-30')
32	353432X1	4	WASHER, LOCK (7/16) (18'-30')
33	355645X1	4	NUT, HEX (7/16-14) (18'-30')
34	364975X1	1	BOLT, CARRIAGE (1/2-13 X 1 3/4)(18'-22')
		2	BOLT, CARRIAGE (1/2-13 X 1 3/4) (25' & 30')
35	353439X1	1	WASHER, LOCK (1/2) (18' - 22')
		2	WASHER, LOCK (1/2) (25' & 30')
36	375098X1	1	NUT (1/2-13) (18' - 22')
		2	NUT (1/2-13) (25 & 30')
38	2763167M91	1	BRACKET, ECCENTRIC LH (18'-30')
39	2763168M91	1	BRACKET, ECCENTRIC RH (18'-30')
40	339376X1	48	WASHER, LOCK (M10) (18' - 22')
		60	WASHER, LOCK (M10) (25' - 30')
42	2763170M1	1	EXTENSION, DRIVE STOP (18'-30')
43	2763169M1	2	Plate adapter 18-30'

C-23

70
HYDROSTATIC DRIVE
PICKUP TABLE

MF 9700/9750 SERIES GRAIN HEADERS
REEL



MFH0023

REEL - HYDROSTATIC DRIVE, PICKUP TABLE

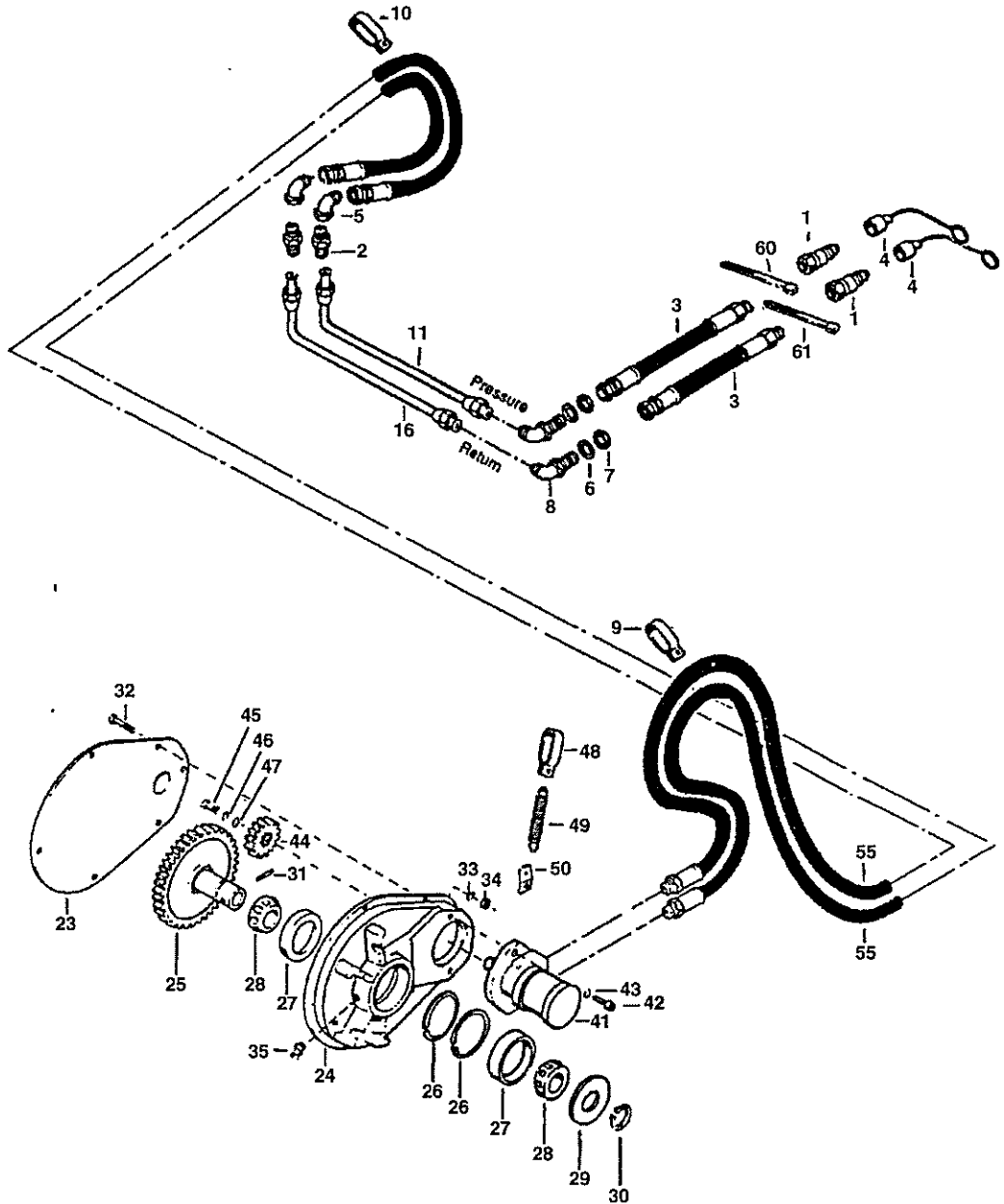
Item	Part Number	Qty	Description
1	1026700M91	2	COUPLING ASY., MALE
3	844494M91	2	HOSE ASY. (1/2 X 24") (12.7 X 610MM)
4	186218M91	2	PLUG, DUST
6	3612012X1	2	WASHER, SPECIAL (.938) (23.8MM)
7	355574X1	2	NUT, BULKHEAD (7/8-14)
8	373705X1	2	ELBOW, BULKHEAD (7/8-14 37 DEGREE FLARE)
11	2636650W1	2	TUBE (5/8") (15.9MM)
60	101838M1	1	STRAP, YELLOW (DRIVE)
61	101839M1	1	STRAP, BLUE (RETURN)

MFH0023

D-1

72
HYDROSTATIC
REEL DRIVE

MF 9700/9750 SERIES GRAIN HEADERS
REEL



MFH0024

REEL - HYDROSTATIC, REEL DRIVE

Item	Part Number	Qty	Description
1	1026700M91	2	COUPLING ASY., MALE (18'-30')
2	22220X	2	UNION (7/8-14 37 DEGREE FLARE) (18'-30')
3	844494M91	2	HOSE ASY. (1/2 X 24") (12.7 X 610MM) (18'-30')
4	186218M91	2	PLUG, DUST (18'-30')
5	2557200W1	2	ELBOW, SWIVEL TUBE (7/8-14 37 DEGREE FLARE)(18'-30')
6	361012X1	2	WASHER, SPECIAL (.938")(23.8MM)(18'-30')
7	355574X1	2	NUT, BULKHEAD (7/8-14) (18'-30')
8	373705X1	2	ELBOW, BULKHEAD (7/8-14 37 DEGREE FLARE) (18'-30')
9	1685280W1	1	CLAMP, DOUBLE (18'-30')
	353677X1	1	BOLT, HEX (5/16-18 X 3/4) (18'-30')
	353446X1	1	WASHER, LOCK (5/16) (18'-30')
	355565X1	1	NUT, HEX (5/16-18) (18'-30')
10	360567X1	2	CLIP (18'-30')
	353677X1	1	BOLT, HEX (5/16-18 X 3/4) (18'-30')
	355565X1	1	NUT, HEX (5/16-18) (18'-30')
11	2603750W1	1	TUBE, HYDRAULIC-PRESSURE (5/8 X 35.3") (15.9 X 897MM) (18')
	2603760W1	1	TUBE, HYDRAULIC-PRESSURE (5/8 X 47.3") (15.9 X 1201MM) (20')
	2603770W1	1	TUBE, HYDRAULIC-PRESSURE (5/8 X 59.3") (15.9 X 1506MM) (22')
	2603780W1	1	TUBE, HYDRAULIC-PRESSURE (5/8 X 71.3") (15.9 X 1811MM) (24' & 25')
	2603790W1	1	TUBE, HYDRAULIC-PRESSURE (5/8 X 104.3") (15.9 X 2649MM) (30')
16	2603820W1	1	TUBE, HYDRAULIC - RETURN (5/8 X 38") (15.9 X 965MM) (18')
	2603830W1	1	TUBE, HYDRAULIC - RETURN (5/8 X 50") (15.9 X 1270MM) (20')
	2603840W1	1	TUBE, HYDRAULIC - RETURN (5/8 X 62") (15.9 X 1575MM) (22')
	2603850W1	1	TUBE, HYDRAULIC - RETURN (5/8 X 74") (15.9 X 1880MM) (24' & 25')
	2603860W1	1	TUBE, HYDRAULIC - RETURN (5/8 X 107") (15.9 X 2718MM) (30')
23	282668M1	1	COVER (18'-30')
24	148129M1	1	HOUSING (18'-30')
25	282670M1	1	GEAR (53 TEETH) (18'-30')
26	355832X1	2	RING, INTERNAL RETAINING (7/64" THICK) (2.77MM) (18'-30')
27	N14866	2	CUP, BEARING (18'-30')
28	14867	2	CONE (18'-30')
29	370225X1	1	WASHER (1 31/32 X 3 7/32 X 1/16") (50 X 81.7 X 1.6MM) (18'-30')
30	70926000	1	RING, EXTERNAL SNAP(1 31/32ID X 1/16" THICK)(50ID X 1.6MM) (18'-30')
31	70917864	1	PIN, SPRING(1/2 X 2")(12.7 X 50.8MM) (18'-30')
32	353667X1	6	BOLT, HEX (1/4-20 X 3/4) (18'-30')
33	353441X1	6	WASHER, LOCK (1/4) (18'-30')
34	355564X1	6	NUT, HEX (1/4-20) (18'-30')
35	13811X	1	FITTING, GREASE (1/4-28, STR)(PKG/10) (18'-30')
41	105053W91	1	*MOTOR ASY., REEL DRIVE (SEE REEL LIFT CYLINDERS) (18'-30')
	148353M91	1	**MOTOR ASY., REEL DRIVE (SEE REEL LIFT CYLINDERS) (18'-30')
42	357779X1	2	BOLT, SOCKET HEAD (1/2-13 X 1 1/2) (18'-30')
43	353439X1	2	WASHER, LOCK (1/2) (18'-30')
44	282672M1	1	GEAR (14 TEETH) (18')3-0'
45	353666X1	1	BOLT, HEX (1/4-20 X 5/8) (18'-30')
46	353441X1	1	WASHER, LOCK (1/4) (18'-30')
47	363332X1	1	WASHER, FLAT (1/4 X 1 1/8 X 1/16") (6.4 X 28.6 X 1.6MM) (18'-30')
48	264801M1	1	CLAMP, HOSE (18'-30')
49	239383M1	1	SPRING (18'-30')
50	264800M1	1	BRACKET, DRIVE (18'-30')
55	2559290W1	2	HOSE ASY. (1/2 X 90") (12.7 X 2286MM) (18'-30')
60	101838M1	1	STRAP, YELLOW (DRIVE) (18'-30')
61	101839M1	1	STRAP, BLUE (RETURN) (18'-30')

*USED LATE PRODUCTION ONLY
(DISTINGUISHED BY 5 BOLT END PLATE)

**USED EARLY PRODUCTION ONLY
(DISTINGUISHED BY 7 BOLT END PLATE)

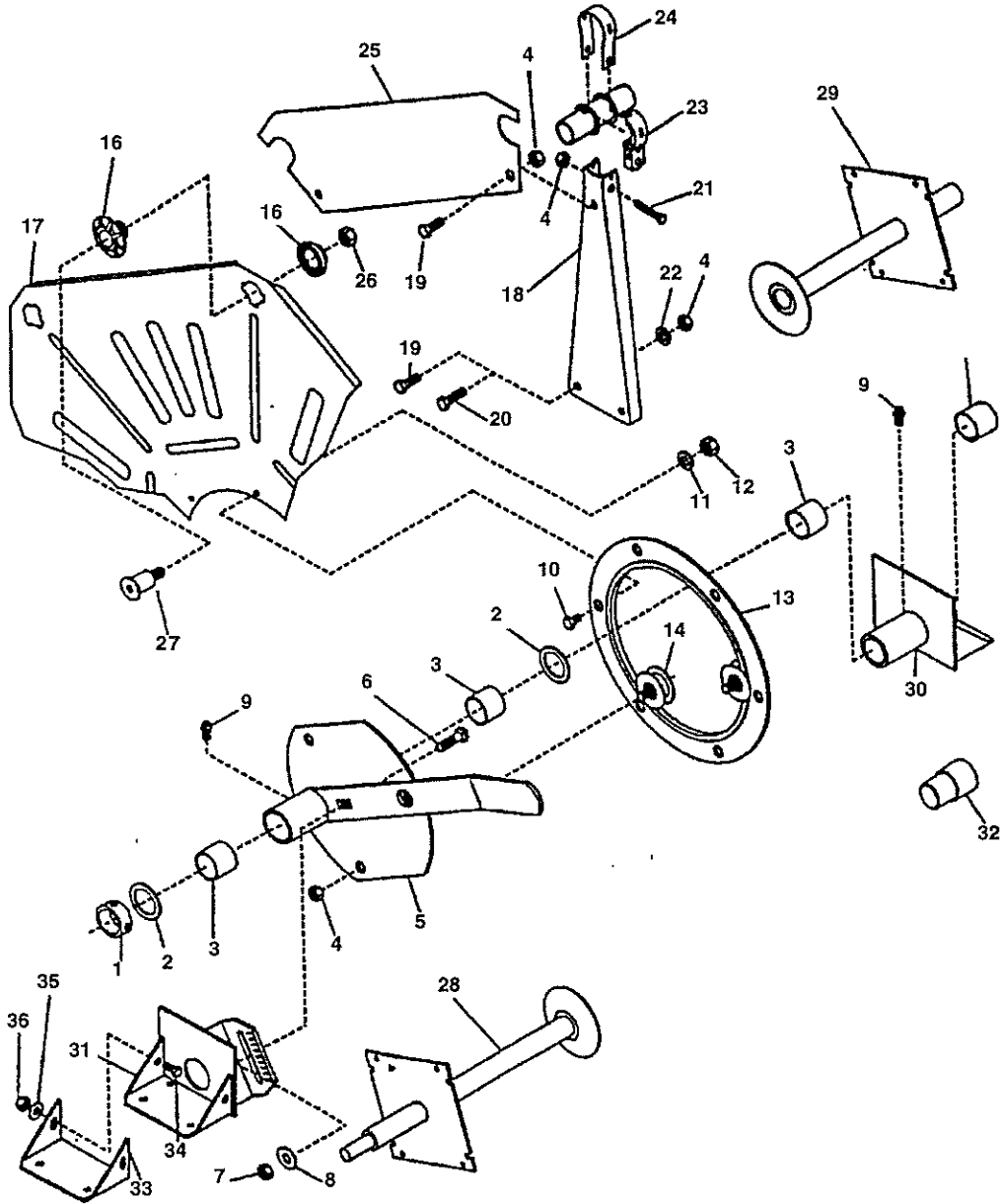
MFH0024

C-15

62

MF 9700/9750 SERIES GRAIN HEADERS
REEL

PICKUP REEL
ECCENTRIC & SPIDER PLATES
(ML - LATER STYLE)



MFH0021

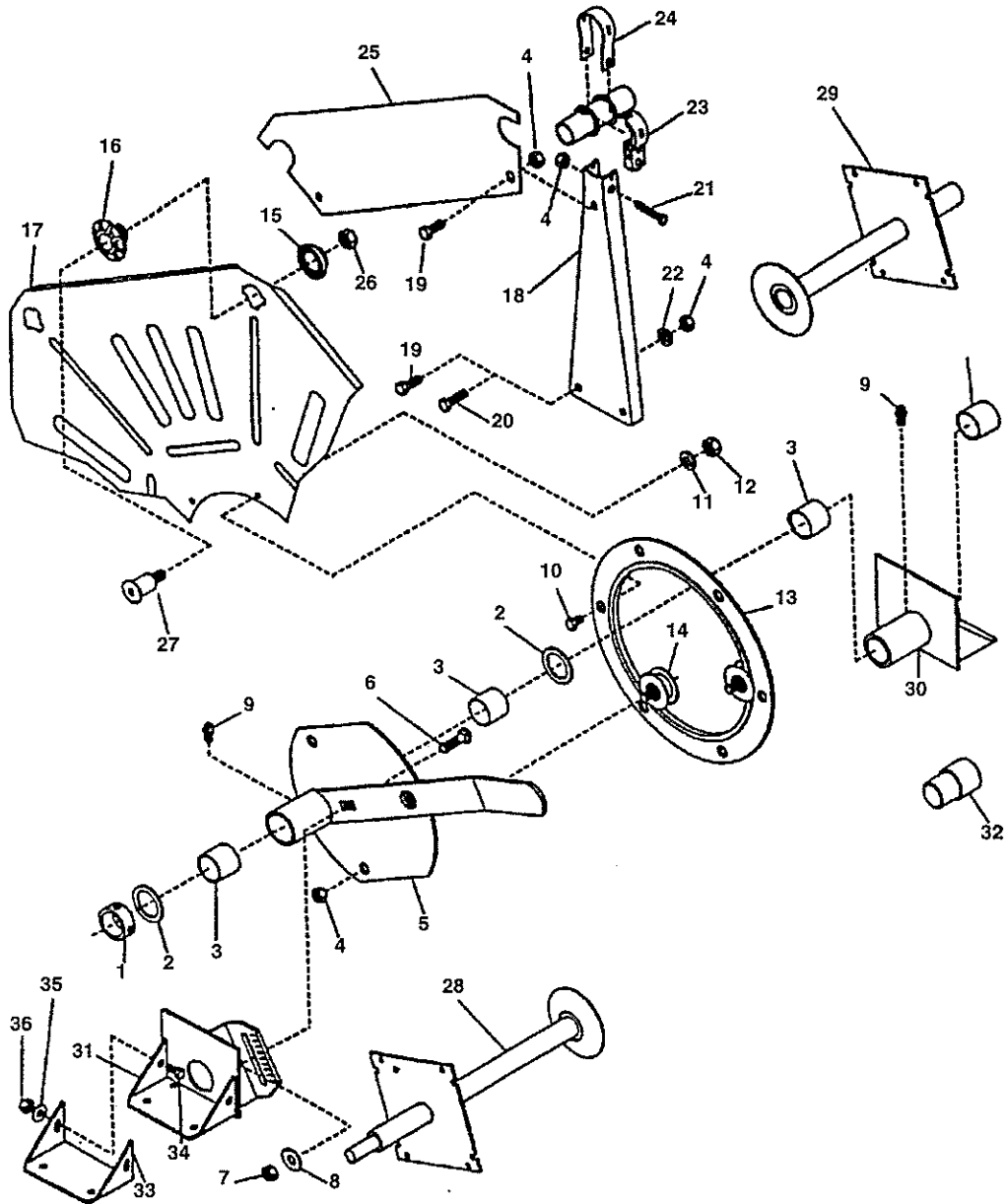
Item	Part Number	Qty	Description STYLE)
1	111044W91	2	COLLAR, LOCK W/SET SCREWS (18'-30')
2	2763181M1	4	WASHER, FLAT SPECIAL (2 1/4OD X 1 5/8ID X 11 GA.) (18'-30')
3	2763177M1	4	BEARING, SUPER OILITE (1 3/4OD X 1 9/16ID X 1 1/2) (18'-30')
4	390345X1	78	NUT, HEX LOCK (M10 X 1.5) (18'-30')
5	111076W91	1	FRAME, ECCENTRIC ROLLER (18' - 22')
		2	FRAME, ECCENTRIC ROLLER (25') & (30')
6	385392X1	1	BOLT, CARRIAGE (M12 X 1.75 X 40) (18'-22')
		2	BOLT, CARRIAGE (M12 X 1.75 X 40) (25 & 30')
7	3009695X1	1	NUT, HEX (M12 X 1.75) (18' - 22')
		2	NUT, HEX (M12 X 1.75) (25 & 30')
8	111077W1	1	WASHER, BELLEVILLE (M12) (18' - 22')
		2	WASHER, BELLEVILLE (M12) (25 & 30')
9	70914465	2	FITTING, LUBE (1/8-27 NPTF) (18'-30')
10	339123X1	6	BOLT, HEX (M8 X 1.25 X 20) (18' - 22')
		12	BOLT, HEX (M8 X 1.25 X 20) (25 & 30')
11	339374X1	6	WASHER, LOCK (M8) (18' - 22')
		12	WASHER, LOCK (M8) (25 & 30')
12	1440203X1	6	NUT, HEX (M8 X 1.25) (18' - 22')
		12	NUT, HEX (M8 X 1.25) (25 & 30')
13	71136185	1	RING, ECCENTRIC CONTROL (18' - 22')
		2	RING, ECCENTRIC CONTROL (25 & 30')
14	71368702	3	BEARING, BALL ROLLER (18' - 22')
		6	BEARING, BALL ROLLER (25 & 30')
15	1081100M1	6	BEARING, ECCENTRIC (FEMALE) (18' - 22')
		12	BEARING, ECCENTRIC (FEMALE) (25 & 30')
16	71368704	6	BEARING, ECCENTRIC (MALE) (18' - 22')
		12	BEARING, ECCENTRIC (MALE) (25 & 30')
17	111081W1	1	SHIELD, ECCENTRIC END (18' - 22')
		2	SHIELD, ECCENTRIC END (25 & 30')
18	71367257	24	ARM, REEL (18' - 22')
		30	ARM, REEL (25 & 30')
19	3009492X1	46	BOLT, HEX (M10 X 1.5 X 25) (18' - 22')
		52	BOLT, HEX (M10 X 1.5 X 25) (25 & 30')
20	339451X1	8	BOLT, HEX (M10 X 1.5 X 30) (18' - 30')
21	339109X1	24	BOLT, HEX (M10 X 1.5 X 50) (18' - 22')
		30	BOLT, HEX (M10 X 1.5 X 50) (25 & 30')
22	339376X1	48	WASHER, LOCK (M10) (18' - 22')
		60	WASHER, LOCK (M10) (25 & 30')
23	71367256	48	BEARING, REEL ARM (18' - 22')
		60	BEARING, REEL ARM (25 & 30')
24	71367255	24	STRAP, BEARING (18' - 22')
		30	STRAP, BEARING (25 & 30')
25	1079449M1	6	SHIELD, END (SINGLE ECCENTRIC ONLY) (18'-30')
26	3009695X1	6	NUT, HEX (M12 X 1.75) (18' - 22')
		12	NUT, HEX (M12 X 1.75) (25 & 30')
27	111082W1	6	SCREW, METRIC SOCKET HEAD SHOULDER (SPECIAL)(18' - 22')
		12	SCREW, METRIC SOCKET HEAD SHOULDER (SPECIAL)(25 & 30')

C-17

64

MF 9700/9750 SERIES GRAIN HEADERS
REEL

PICKUP REEL
ECCENTRIC & SPIDER PLATES
(ML - LATER STYLE)



MFH0021

Massey Ferguson**9700 / 9750 GRAIN HEADER**

651612

REEL - PICKUP REEL, ECCENTRIC & SPIDER PLATES, (ML - LATER STYLE)

Page64

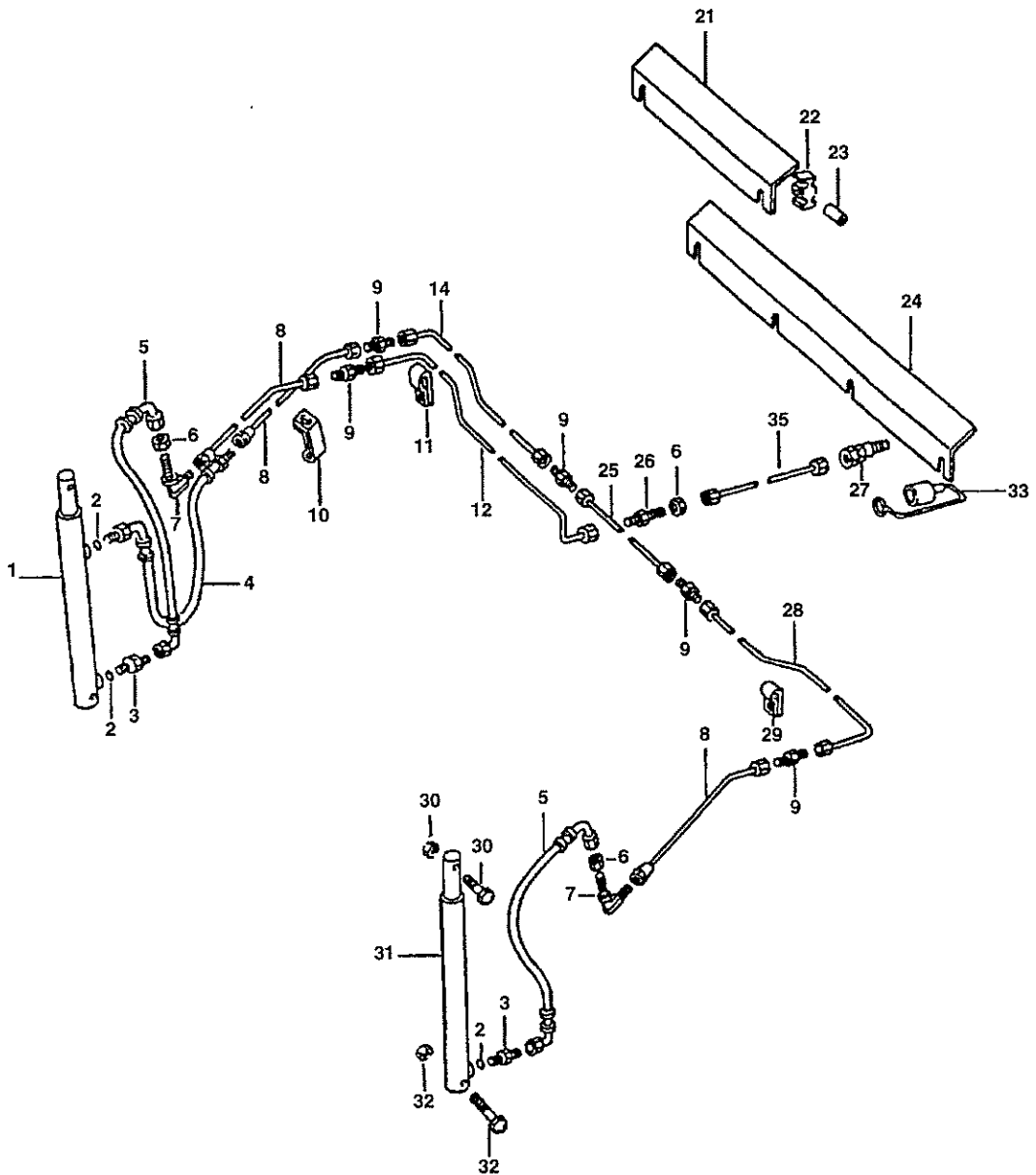
Item	Part Number	Qty	Description
28	1077774M91	1	SHAFT, DRIVING END (6.6M) (22')
	1077775M91	1	SHAFT, DRIVING END (3.9-6.0M) (18'-20')
	1077776M91	1	SHAFT, DRIVING END (7.2-9.0M) (25 & 30')
29	71367247	1	SHAFT, DRIVEN END (3.9-6.0M) (18'-20')
	71367246	1	SHAFT, DRIVEN END (6.6-9.0M) (22', 25 & 30')
30	111083W91	1	BRACKET, RH END (3.9-6.6M) (18' - 22')
	111084W91	1	BRACKET, RH END (7.2-9.0M) (25 & 30')
31	111085W91	1	BRACKET, LH END (18'-30')
32	111086W1	1	EXTENSION, DRIVE STOP (18'-30')
33	111087W1	2	BRACKET, EXTENSION CHANNEL (18'-30')
34	339081X1	4	BOLT, HEX (M10 X 1.5 X 20) (18'-30')
35	390734X1	4	WASHER, FLAT (M10) (18'-30')
36	390345X1	4	NUT, HEX LOCK (M10 X 1.5) (18'-30')

MFH0021

C-19

66
HYDRAULICS
REEL LIFT

MF 9700/9750 SERIES GRAIN HEADERS
REEL



MFH0022

Item	Part Number	Qty	Description
1	1229523W91	1	CYLINDER ASY., MASTER (RH) (SEE REEL LIFT CYLINDERS) (18'-30')
2	70921884	3	O-RING (13/32ID X 5/64")(10.3ID X 2MM)
3	358742X91	2	CONNECTOR ASY. (1/2-20 ORB X 1/2-20 37 DEGREE FLARE) (18'-30')
4	9310850W91	1	HOSE ASY., MALE ENDS (1/4ID X 18") (6.4ID X 457MM) (18'-30')
5	2558270W1	2	HOSE ASY. (1/4ID X 18") (6.4ID X 457MM) (18'-30')
6	356613X1	3	NUT, BULKHEAD (1/2-20) (18'-30')
7	373699X1	2	ELBOW, BULKHEAD (1/2-20 37 DEGREE FLARE) (18'-30')
8	2593660W1	3	TUBE, HYDRAULIC (5/16 X 11) (18'-30')
9	356596X1	5	UNION (1/2-20 37 DEGREE FLARE) (18'-30')
10	1800850W1	1	CLAMP, TUBE (18'-30')
11	2531410W1	1	CLAMP, TUBE (18'-30')
12	2575690W1	1	TUBE, HYDRAULIC, RIGHT LOWER (5/16 X 58")(7.9 X 1473MM) (18')
	2575700W1	1	TUBE, HYDRAULIC, RIGHT LOWER (5/16 X 70")(7.9 X 1778MM) (20')
	2575710W1	1	TUBE, HYDRAULIC, RIGHT LOWER (5/16 X 82")(7.9 X 2083MM) (22')
	2575720W1	1	TUBE, HYDRAULIC, RIGHT LOWER (5/16 X 94")(7.9 X 2388MM) (24')
	103965W1	1	TUBE, HYDRAULIC, RIGHT LOWER (5/16 X 100")(7.9 X 2540MM) (25')
	2575730W1	1	TUBE, HYDRAULIC, RIGHT LOWER (5/16 X 127")(7.9 X 3226MM) (30')
14	2575610W1	1	TUBE, HYDRAULIC, RIGHT UPPER (5/16 X 60")(7.9 X 1524MM) (18')
	2575620W1	1	TUBE, HYDRAULIC, RIGHT UPPER (5/16 X 72")(7.9 X 1829MM) (20')
	2575630W1	1	TUBE, HYDRAULIC, RIGHT UPPER (5/16 X 84")(7.9 X 2134MM) (22')
	2575640W1	1	TUBE, HYDRAULIC, RIGHT UPPER (5/16 X 96")(7.9 X 2438MM) (24')
	103962W1	1	TUBE, HYDRAULIC, RIGHT UPPER (5/16 X 102")(7.9 X 2591MM) (25')
	2575650W1	1	TUBE, HYDRAULIC, RIGHT UPPER (5/16 X 129")(7.9 X 3277MM) (30')
21	2587910W1	1	SHIELD, CENTER TUBE (18'-30')
22	2575800W1	-	SUPPORT, TUBE
23	2588850W1	-	BOOT, TUBE (5/16 X 1 1/2")(7.9 X 38.1MM)
24	2587950W1	2	SHIELD, TUBE END (41.75") (1060MM) (18')
	2587960W1	2	SHIELD, TUBE END (53.76") (1366MM) (20')
	2587970W1	2	SHIELD, TUBE END (65.76") (1670MM) (22')
	2587980W1	2	SHIELD, TUBE END (77.75") (1962MM) (24' & 25')
	2587990W1	2	SHIELD, TUBE END (110.75") (2813MM)(30')
25	2577520W1	1	TUBE, HYDRAULIC (5/16 X 96 13/16") (7.9 X 2459MM) (18'-30')
26	356265X1	1	UNION, BULKHEAD (1/2-20 37 DEGREE FLARE)(18'-30')
27	1026700M91	1	COUPLING ASY., MALE (18'-30')
28	2577560W1	1	TUBE, LEFT HYDRAULIC (5/16 X 60") (7.9 X 1524MM) (18')
	2577570W1	1	TUBE, LEFT HYDRAULIC (5/16 X 72") (7.9 X 1829MM) (20')
	2577580W1	1	TUBE, LEFT HYDRAULIC (5/16 X 84") (7.9 X 2134MM) (22')
	2577590W1	1	TUBE, LEFT HYDRAULIC (5/16 X 96") (7.9 X 2438MM) (24')
	103963W1	1	TUBE, LEFT HYDRAULIC (5/16 X 102") (7.9 X 2591MM) (25')
	2577600W1	1	TUBE, LEFT HYDRAULIC (5/16 X 129") (7.9 X 3277MM) (30')
29	364837X1	1	CLAMP, TUBE (18'-30')
30	354667X1	2	BOLT, HEX (1/2-13 X 4 1/2) (18'-30')
	369066X1	2	NUT, HEX LOCK (1/2-13) (18'-30')
31	1229533W91	1	CYLINDER ASY., SLAVE (LH) (SEE REEL LIFT CYLINDERS) (18'-30')
32	354657X1	2	BOLT, HEX (1/2-13 X 3 1/4) (18'-30')
	368644X1	2	NUT, HEX FLANGE LOCK (1/2-13) (18'-30')
33	186218M91	1	PLUG, DUST (18'-30')
35	148776M91	2	HOSE ASY. (3/8 X 27") (9.5 X 686MM)(18'-30')

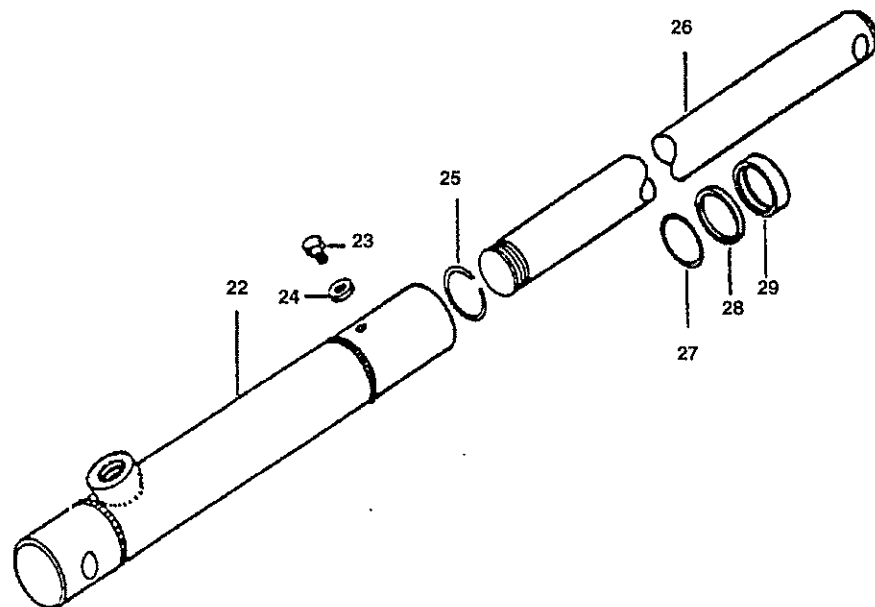
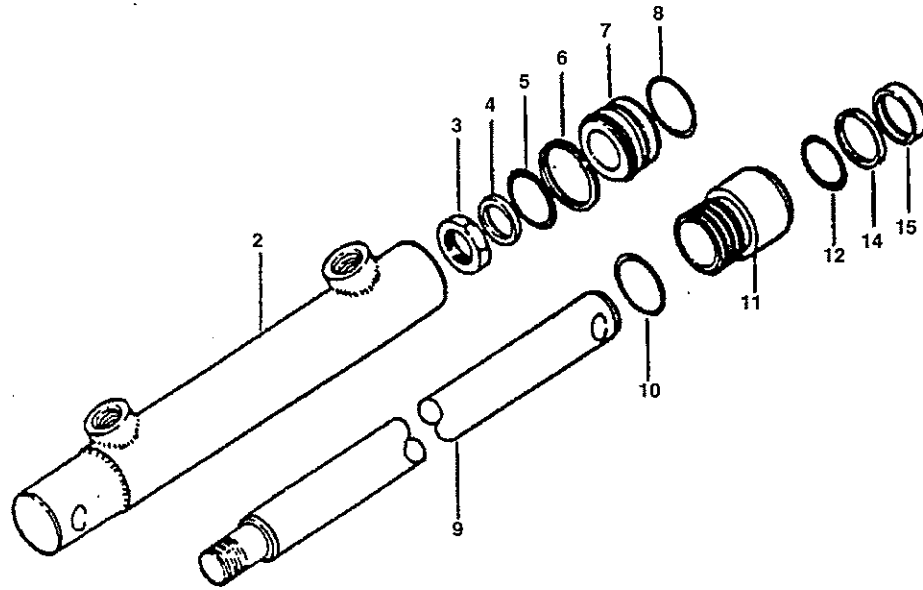
MFH0022

D-5

76

MF 9700/9750 SERIES GRAIN HEADERS
REEL

CYLINDERS
REEL LIFT



MFH0025

REEL - CYLINDERS, REEL LIFT

Item	Part Number	Qty	Description
	1229523W91	1	CYLINDER ASY., MASTER
	1229533W91	1	CYLINDER ASY., SLAVE
2		1	BARREL ASY. (ORDER 1229523W91)
3	12655	1	NUT, HEX JAM (3/4-16 UNF)
4	1097019M1	1	WASHER
5	70923564	1	*O-RING (1 1/4ID X 1/16") (31.8ID X 1.6MM)
6	1031818M1	1	*RING (1 1/2"OD) (38.1MM OD)
7	1036029M1	1	CYLINDER, PISTON
8	70923989	1	O-RING
9	1072397M1	1	ROD, PISTON
10	366434X1	1	O-RING (1 3/8 X 1 9/16 X 3/32") (34.9 X 39.7 X 2.36MM)
11	71136597	1	CYLINDER, HEAD
12	70923811	1	*O-RING(1 1/8ID X 1/8")(28.6ID X 3.2MM)
14	70926617	1	*WASHER, BACK-UP (1 1/8 X 1 3/8") (28.6 X 35MM)
15	843248M1	1	*SEAL, PISTON ROD WIPER
22	1229533W91	2	BARREL ASY. (ORDER 1229533W91)
23	1020727M1	1	**PLUG, BARREL BLEED
24	1020298M1	1	**WASHER, PLUG
25	1020299M1	1	**RING, LOCK (9/16 X 55/64") (14.3 X 21.8MM)
26	1229533W91	1	ROD, PISTON (ORDER 1229533W91)
27	70923575	1	**O-RING (1ID X 1/8") (25.4ID X 3.2MM)
28	378534X1	1	**RING, BACK-UP
29	842078M1	1	**SEAL, ROD WIPER
	W2720417	-	KIT, SEAL (INCL. * ITEMS)
	71162742	-	KIT, SEAL (INCL. ** ITEMS)

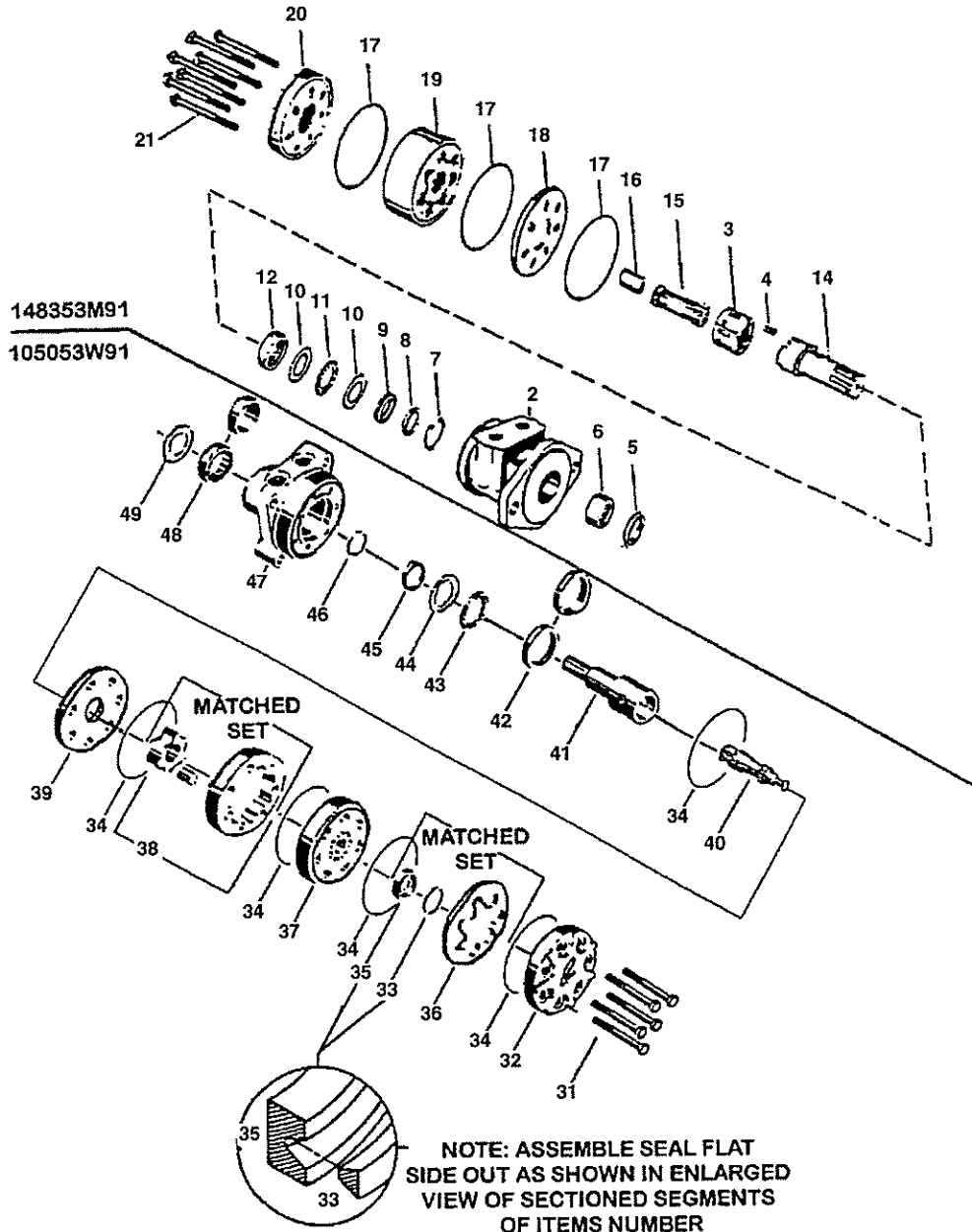
MFH0025

D-7

MF 9700/9750 SERIES GRAIN HEADERS
REEL

78

HYDRAULIC MOTOR
REEL DRIVE



MFH0026

REEL - HYDRAULIC MOTOR, REEL DRIVE

Item	Part Number	Qty	Description
	148353M91	1	MOTOR ASY., REEL DRIVE (VENDOR NO. MAF20007) (7 BOLT END PLATE) (PR. S/N P21101)
2	1065959M91	1	HOUSING ASY.
		1	COMMUTATOR (ORDER 1065959M91)
4	1065960M1	1	PIN, DRIVE
5	1065963M1	1	SEAL, SHAFT FRONT
6	1065973M1	1	BEARING, OUTER NEEDLE
7	22015X	1	RING, RETAINING
8	1065962M1	1	WASHER, BACK-UP
9	1048720M1	1	SEAL, SHAFT
10	1065961M1	2	WASHER, THRUST
11	1065972M1	1	BEARING, THRUST
12	195453M1	1	BEARING, INNER NEEDLE
14	1065964M1	1	SHAFT, COUPLING
15	1065965M1	1	LINK, DRIVE
16	1068986M1	1	SPACER, SHAFT
17	1065967M1	3	O-RING
18	1065968M1	1	PLATE, WEAR
19	1068984M91	1	ROTOR ASY.
20	1065970M1	1	COVER, END
21	1068985M1	7	BOLT, HEX SPECIAL (5/16-24 UNF X 2 7/8)
	105053W91	1	MOTOR ASY. (VENDOR NO. MF100611-AAAA) (5 BOLT END PLATE)(S/N P21101 & UP)
	105151W91	1	MOTOR ASY. (VENDOR NO. MG100611-AAAC) (S/N S21306 & UP)
31	105056W1	5	BOLT, HEX (SPECIAL)
32	105057W1	1	COVER, END (MF MODEL)(PR. S/N S21306)
	111948W1	1	COVER, END (MG MODEL)(S/N21306 & UP)
33		1	*COMMUTATOR SEAL
34		5	*RING SEAL
35	105060W91	1	COMMUTATOR & RING ASY. (ITEMS 35 & 36)
36		-	RING (ORDER ITEM 35)
37	105061W1	1	MANIFOLD
38	105062W91	1	ROTOR SET
39	105063W1	1	PLATE, WEAR
40	105064W1	1	LINK, DRIVE
41	105065W1	1	SHAFT, COUPLING
42	105066W1	1	BEARING, INNER NEEDLE (MF MODEL) (PR. S/N S21306)
	111949W1	1	BUSHING, BRONZE (MG MODEL) (S/N S21306 & UP)
43	1065972M1	1	BEARING, THRUST
44	1065961M1	1	WASHER, THRUST
45		1	*SEAL, INNER
46		1	*WASHER, BACK-UP
47	105067W91	1	HOUSING (SERVICE ASY.) (MF MODEL) (INCL. IT. 42 & 48)(PR. S/N S21306)
	111950W1	1	HOUSING (SERVICE ASY.) (MG MODEL) (INCL. IT. 42 & 48)(S/N S21306 & UP)
48	105059W1	1	BEARING, OUTER NEEDLE (MF MODEL)
	111951W1	1	BEARING DU (MF MODEL)(S/N S21306 & UP)
49		1	*SEAL, DIRT
	105058W91	-	KIT, SEAL (INCL. * ITEMS)

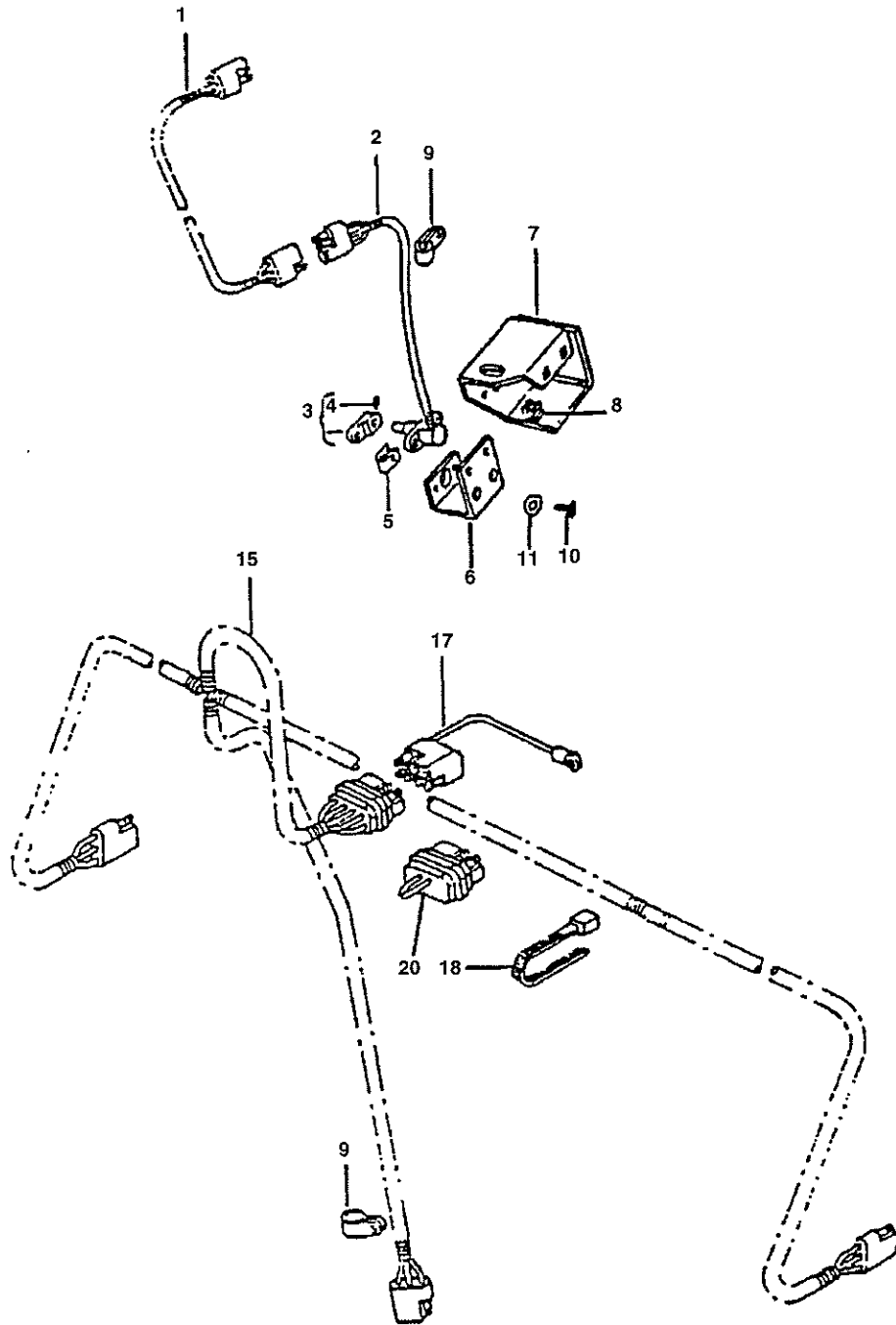
MFH0026

D-9

80

MF 9700/9750 SERIES GRAIN HEADERS
ELECTRICAL WIRING

HEADER WIRING & EXTREMITY LIGHTS



MFH0027

ELECTRICAL WIRING - HEADER WIRING & EXTREMITY LIGHTS

Item	Part Number	Qty	Description
1	2608710W91	2	HARNES ASY., WIRING FLEX (24' & 30')
2	101367M1	3	SENSOR, HEIGHT CONTROL (10K OHM) FLEX
3	2563343W91	3	LEVER ASY., SENSOR FLEX
4	1673962M1	3	SCREW (#10-24 X 1/4) FLEX
5	2608630W1	6	SPEEDNUT FLEX
6	2608620W1	3	CHANNEL, SENSOR SUPPORT FLEX
7	2608651W91	3	SUPPORT ASY. FLEX
8	355898X1	6	NUT, CAGED (1/4-20) FLEX
9	371643X1	3	CLIP, TYPE B (.500 DIA.) FLEX
10	373108X1	6	SCREW, PHILLIPS PAN HD (#8-32 X 1/2)FLEX
11	22710X	6	LOCKWASHER INTERNAL TOOTH (#8) FLEX
15	102873M2	1	HARNES ASY., HEADER FLEX
17	2606760W1	1	HARNES, WIRE (DUST COVER)
10	111710W92	2	LAMP ASY., REAR FLASHER (AMBER)
18	515103M1	-	STRAP, TIE FLEX
20	102879M1	1	HARNES, REEL/PICKUP ENABLE RIGID
30	111717W1	1	WIRE HARNES, LIGHTS (20' & UNDER) (S/N S21101 & UP)
	111718W1	1	WIRE HARNES, LIGHTS (22' & OVER) (S/N S21101 & UP)
	112788W1	1	WIRE HARNES, LIGHTS PICKUP
31	9620920W1	3	J CLAMP (3/8-3/8DIA.)(S/N S21101 & UP)
32	515103M1	10	STRAP, TIE (S/N S21101 & UP)
33	111744W1	2	BRACKET, MOUNTING (S/N S21101 & UP)
34	111746W1	4	SCREW, HEX HEAD SELF TAPPING (5/16 X 1) (S/N S21101 & UP)
35	103832W91	4	CLAMP ASY. (S/N S21101 & UP)
36	111704W91	2	POST ASY., LAMP (S/N S21101 & UP)
37	111707W1	2	GUARD, LAMP (S/N S21101 & UP)
64	111710W92	2	LAMP ASY., REAR FLASHER (AMBER) (S/N S21101 & UP)
65			LENS (AMBER)(NOT REPAIR ITEM)
66			WASHER (BLACK FLEX)(NOT REPAIR ITEM)
67	355566X1	-	NUT, HEX (3/8-16)
68	353434X1	-	WASHER, LOCK (3/8)
69	355619X1	-	WASHER, FLAT WIDE (3/8) FIELD INSTALLED EXTREMITY LIGHTING KITS:
70	111916W91	-	WIRE HARNES ADAPTER, COMBINE (REQ. FOR COMBINES PR. TO S/N S11101 WHEN CONNECTING TO HEADER S/N S21101 & UP.(S/N S21101 & UP)
	111915W91	-	HEADER LIGHT KIT (PR. S/N 21101) (INCL. IT. 30-37, 64 & 70, HARDWARE & ASY. INSTRUCTIONS.)

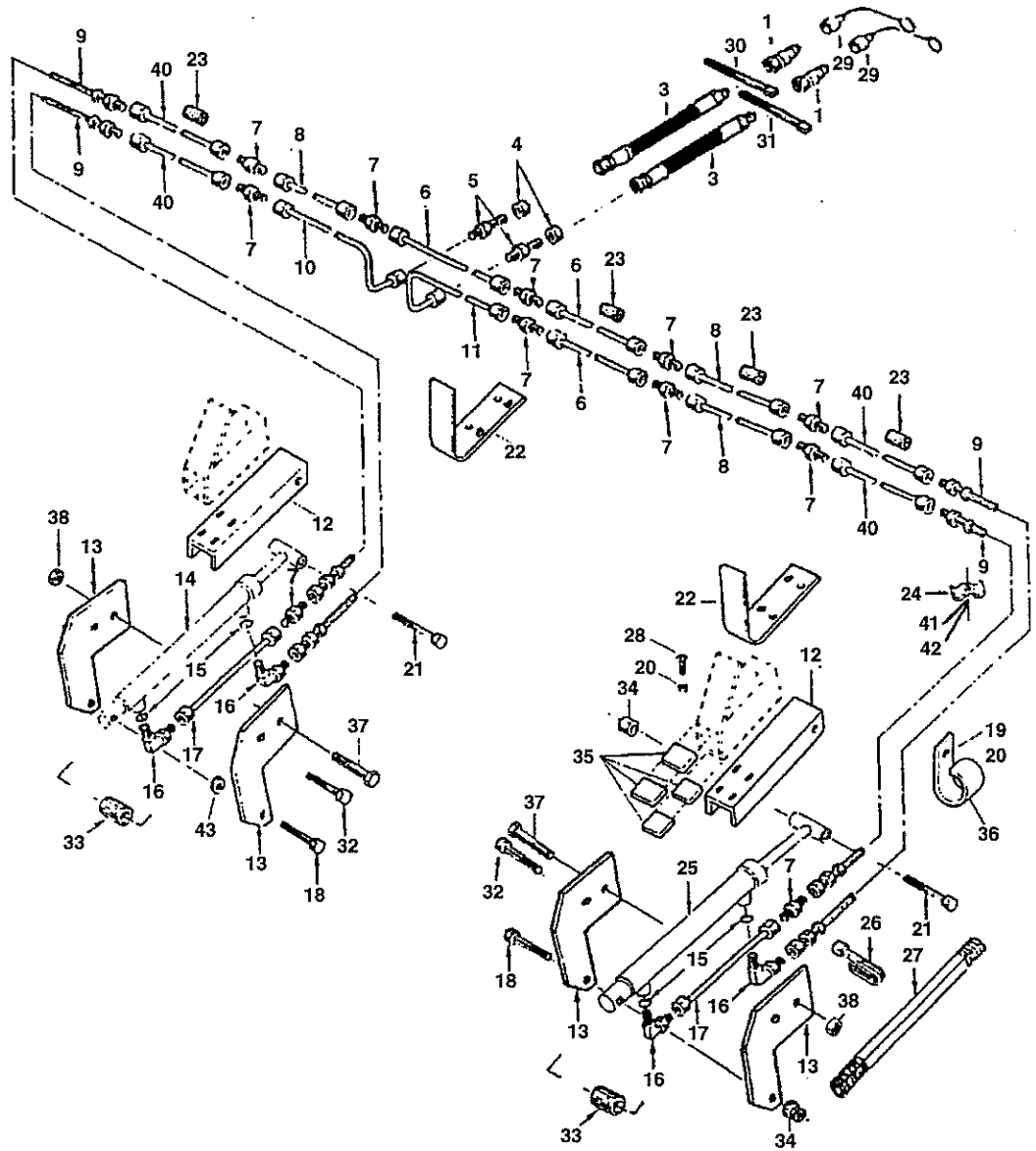
MFH0027

D-11

82

MF 9700/9750 SERIES GRAIN HEADERS
ACCESSORIES

REEL FORE/AFT
ACCESSORY



MFH0028

ACCESSORIES - REEL FORE/AFT, ACCESSORY

Item	Part Number	Qty	Description
1	1026700M91	2	COUPLING ASY., MALE (18'-30')
3	148776M92	2	HOSE ASY.(3/8ID X 27")(3.8 X 686MM) (18'-30')
4	356613X1	2	NUT, BULKHEAD (1/2-20) (18'-30')
5	356265X1	2	UNION, BULKHEAD (1/2-20 37 DEGREE FLARE) (18'-30')
6	2593240W1	3	TUBE, HYDRAULIC (5/16 X 49 1/4") (7.9 X 1251MM) (18'-30')(LATE PROD.)
	2577520W1	1	**TUBE, HYDRAULIC (5/16 X 96 13/16") (7.9 X 2459MM) (18'-30')
7	356596X1	7	UNION (1/2-10 37 DEGREE FLARE)(18'-20')
		11	UNION (1/2-10 37 DEG. FLARE)(22' - 30')
8	2593230W1	3	TUBE, HYDRAULIC(5/16 X 37 1/4") (7.9 X 946MM) (18')
	2593240W1	3	TUBE, HYDRAULIC (5/16 X 49 1/4") (7.9 X 1251MM) (20' - 30')
9	2588020W1	4	HOSE (1/4ID XC 72") (6.4ID X 1829MM) (18'-30')
10	2593320W1	1	TUBE, HYDRAULIC(5/16 X 33 1/2") (7.9 X 851MM) (18')
	2593330W1	1	TUBE, HYDRAULIC (5/16 X 45 1/2") (7.9 X 1156MM) (20' - 30')
11	104393W1	1	TUBE, HYDRAULIC (5/16 X 45 1/2") (7.9 X 1156MM)(18'-30')(LATE PROD.)
	2593280W1	1	*TUBE, HYDRAULIC (5/16 X 96") (7.9 X 2438MM) 19'-(30')
12	104093W1	2	ANCHOR, CYLINDER, ROD END (18'-30')
13	2611610W2	4	ANCHOR, CYLINDER, BASE END (18'-30')
14		1	CYLINDER (RH) (SEE REEL FORE/AFT HYD. CYL. (IOWA HYDRAULICS))(18'-30')
15	70921884	4	O-RING (.072 X .414"ID)(1.8 X 10.5MMID) (18'-30')
16	358761X91	4	ELBOW(1/2-20 ORD X 1/2-20 37 DEG. FLARE) (18'-30')
17	2611860W1	2	TUBE, HYDRAULIC (5/16 X 10 1/2") (7.9 X 267MM) (18'-30')
18	354651X1	2	BOLT, HEX (1/2-13 X 2 1/2) (18'-30')
19	353689X1	6	BOLT, HEX (3/8-16 X 3/4) (18'-30')
20	364217X1	10	NUT, HEX FLANGE LOCK (3/8-16) (18'-30')
21	354661X1	2	BOLT, HEX (1/2-13 X 3 3/4) (18'-30')
22	104126W1	2	BRACKET, REFLECTOR (18'-30')(W/BAT REEL)
23	2588850W1	-	BOOT, TUBE PROTECTOR
24	9621400W1	2	CLAMP, HOSE DOUBLE (18'-30')
25		1	CYLINDER (LH) (SEE REEL FORE/AFT HYD. CYL. (IOWA HYD.))(18'-30')
26	515103M1	2	STRAP, TIE, WHITE (7) (18'-30')
27	2493750W1	2	CONDUIT (1 1/4OD X 40")(31.8OD X 1016MM) (18'-30')
28	365417X1	4	BOLT, CARRIAGE (3/8-16 X 7/8) (18'-30')
29	186218M91	2	PLUG, DUST (18'-30')
30	104120W1	1	STRAP, RED (18'-30')
31	293854M1	1	STRAP, BLACK (18'-30')
32	354653X1	2	BOLT, HEX (1/2-13 X 2 3/4) (18'-30')
33	104020W1	2	SPACER (17/32ID X 3/4OD X 1 3/16") (13.5ID X 19OD X 30.2MM) (18'-30')
34	368644X1	6	NUT, HEX FLANGE LOCK (1/2-13) (18'-30')
35	104125W1	8	STRIP, WEAR (18'-30')
36	293890M1	2	J CLIP (1-1/4 CLAMP DIA., WITH 13/32 HOLE)(18'-30')
37	353937X1	2	BOLT, HEX (5/8-11 X 2 3/4) (18'-30') (W/BAT REEL)
38	369067X1	2	NUT, HEX LOCK (5/8-11) (18'-30') (W/BAT REEL)
40	2611860W1	4	TUBE, HYDRAULIC (5/16 X 10 1/2") (7.9 X 267MM) (22')
	2593220W1	4	TUBE, HYDRAULIC (5/16 X 25 1/4") (7.9 X 641MM) (24' & 25')
	2593240W1	4	TUBE, HYDRAULIC (5/16 X 49 1/4") (7.9 X 1251MM) (30')
41	353677X1	2	BOLT, HEX (5/16-18 X 3/4) (18'-30')
42	104346W1	2	NUT, HEX FLANGE LOCK (5/16-18) (18'-30')
43	355621X1	2	WASHER, WIDE FLAT (1/2) (18'-30')

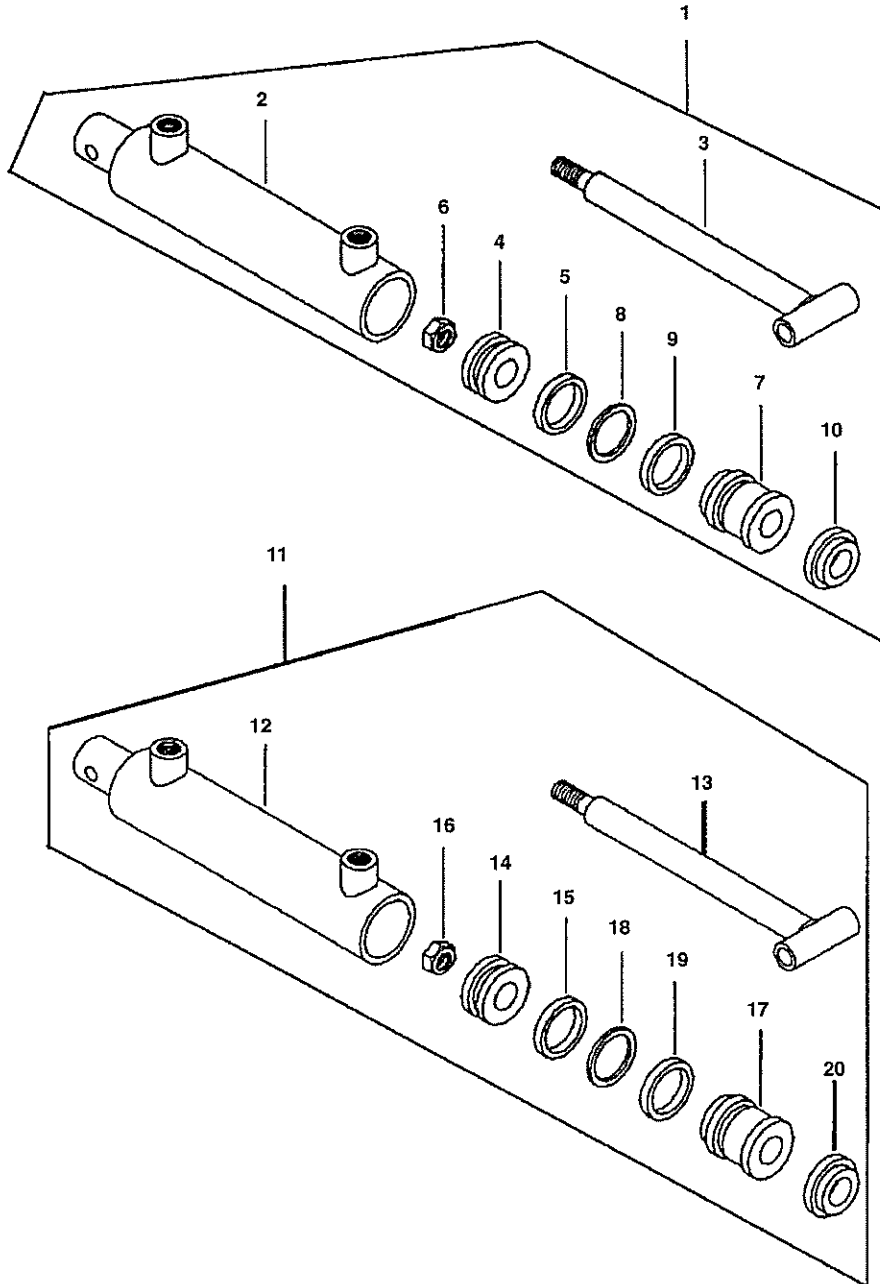
MFH0028

D-15

86

MF 9700/9750 SERIES GRAIN HEADERS
ACCESSORIES

REEL FORE/AFT
HYDRAULIC CYLINDER
(CANADIAN TOOL & DIE)



MFH0029

Massey Ferguson**9700 / 9750 GRAIN HEADER**

651612

ACCESSORIES - REEL FORE/AFT, HYDRAULIC CYLINDER, (CANADIAN

Page86

Item	Part Number	Qty	Description TOOL & DIE)
1	108276W91	1	CYLINDER ASY. (1 1/4")
2	112094W1	1	CYLINDER TUBE ASY.
3	112093W1	1	ROD ASY., PISTON
4	112091W1	1	PISTON
5	112092W1	1	PISTON RING SET
6	373562X1	1	NUT, HEX LOCK (1/2-20)
7	112088W1	1	PLATE, HEAD
8	70924092	1	O-RING (1 1/8ID X 1 3/8OD X 1/8CS)
9	112089W1	1	SEAL, ROD (3/4ID X 1OD X 1/4DEEP)
10	112090W1	1	SEAL, WIPER (3/4ID X 1OD X .104BT)
11	108277W91	1	CYLINDER ASY. (1")
12	112101W1	1	CYLINDER TUBE ASY.
13	112100W1	1	ROD ASY., PISTON
14	112098W1	1	PISTON
15	112099W1	1	PISTON RING (3/4ID X 1OD X .070W)
16	373562X1	1	NUT, HEX LOCK (1/2-20 UNF-2B)
17	112095W1	1	PLATE, HEAD
18	359298X1	1	O-RING (7/8ID X 1 1/8OD X 1/8CS)
19	112096W1	1	SEAL, ROD (5/8ID X 7/8OD X 1/4DEEP)
20	112097W1	1	SEAL, WIPER (5/8ID X 7/8OD X .104BT)

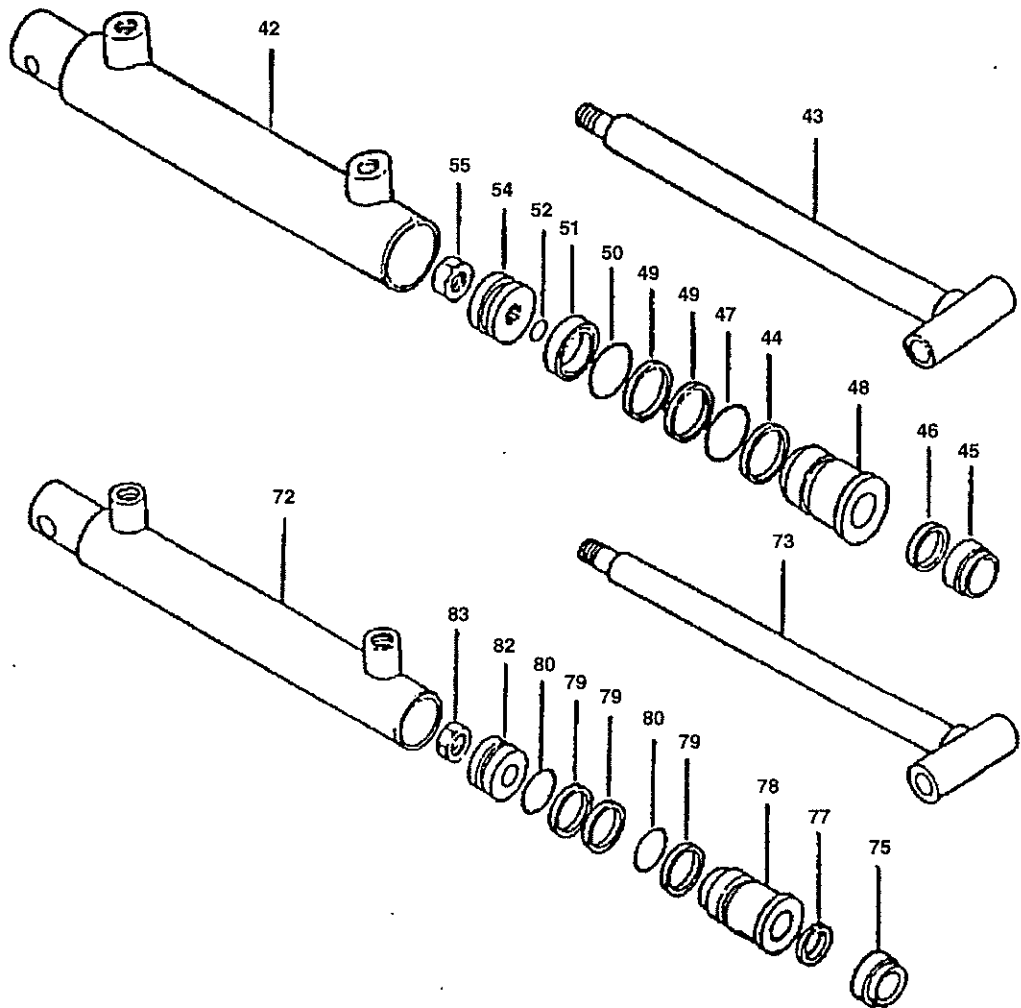
MFH0029

D-17

88

MF 9700/9750 SERIES GRAIN HEADERS
ACCESSORIES

REEL FORE/AFT
HYDRAULIC CYLINDER
(IOWA HYDRAULICS)



MFH0030

Item	Part Number	Qty	Description HYDRAULICS)
1	104004W91	1	CYLINDER ASY., LEFT HYDRAULIC (MASTER)
2		1	BARREL (ORDER ITEM 1)
3	1077741M91	1	ROD ASY., PISTON
4		1	*SEAL, WIPER
5		1	*U-CUP
6	1077742M1	1	HEAD, CYLINDER
7		1	*RING, BACK-UP
8		1	*O-RING, HEAD
9		2	*RING, WEAR
10		1	*O-RING, BACK-UP
11		1	*SEAL, PISTON
12		1	*O-RING, PISTON
13	1077743M1	1	PISTON
14	1077744M1	1	NUT, PISTON LOCK
15	104002W91	1	CYLINDER ASY., RIGHT HYDRAULIC (SLAVE)
16		1	BARREL (ORDER ITEM 15)
17	1077745M91	1	ROD ASY., PISTON
18		1	**SEAL, WIPER
19		1	**U-CUP
20	1077746M1	1	HEAD, CYLINDER
21		3	**RING, BACK-UP
22		2	**O-RING
23	1077747M1	1	PISTON
24	1077748M1	1	NUT, PISTON LOCK
	837857M91	-	KIT, SEAL (FOR ITEM 1)(INCL * ITEMS)
	837858M91	-	KIT, SEAL (FOR ITEM 15)(INCL ** ITEMS)

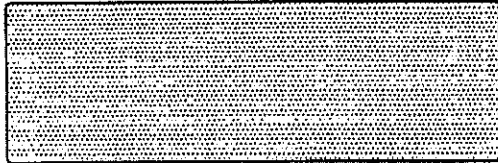
MFH0030

D-19

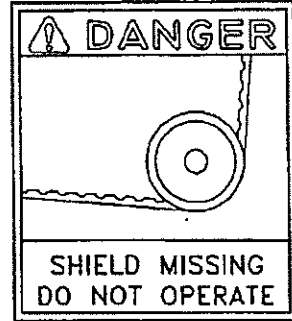
90

MF 9700/9750 SERIES GRAIN HEADERS
LABELS

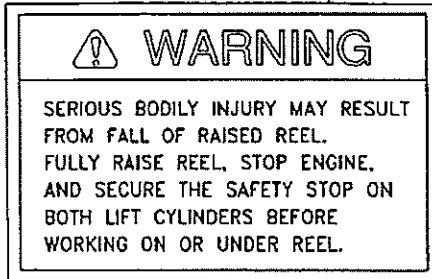
LABELS
ENGLISH



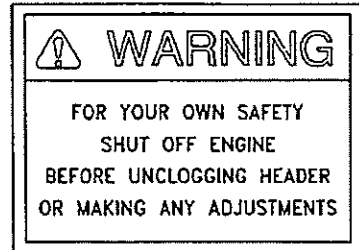
1, 2



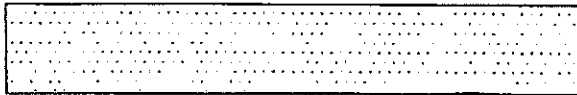
3



4



5



6

MFH0031

Item	Part Number	Qty	Description
1	590720M1	2	TAPE, REFLECTIVE (AMBER)
2	590483M1	2	TAPE, REFLECTIVE (RED)
3	111091W1	2	LABEL, DANGER
4	104018W2	2	LABEL, WARNING (NOT USED ON P/U TABLE)
5	590253M3	2	LABEL, WARNING
6	112939W1	1	ANTI-SKID TAPE (94" X 4")

MFH0031

D-21

92

MF 9700/9750 SERIES GRAIN HEADERS
LABELS

LABELS
RUSSIAN



MFH0032

LABELS - LABELS, RUSSIAN

Item	Part Number	Qty	Description
5	105034W1	2	LABEL, WARNING
6	590720M1	2	TAPE, REFLECTIVE (AMBER)
	590483M1	2	TAPE, REFLECTIVE (RED)
7	105011W1	2	LABEL, WARNING
8	105033W1	2	LABEL, WARNING (NOT USED ON P/U TABLE)
			MFH0032
	1714750W1	96	SECTION
	71367261	79	FINGER, PLASTIC
	148281M1	79	SECTION
	231303M2	20	GUIDE
	1713400W1	19	GUARD
	840328M91	12	CHAIN
	2763156M1	11	FINGER
	148198M1	10	GUARD
	2499640W1	9	FINGER
	70923811	6	O-RING
	104346W1	5	NUT
	1794160W1	5	GUARD
	515103M1	5	TIE
	1026700M91	5	TIP
	MP1359	4	LINK
	1813460W1	4	SHIM
	70531251	3	CONE, BEARING
	2500000W1	3	GUIDE
	2515400W2	3	RETAINER
	9650920W1	3	PIN
	71367256	3	BEARING, REEL
	148199M1	3	GUARD
	71368704	3	BEARING, ECCENTRIC
	70923575	2	O-RING
	71141240	2	BEARING, BALL
	51318	2	BEARING
	51292	1	BEARING, SPR
	541388M2	1	FLANGE
	71345065	1	ARM, REEL
	2499670W1	1	BEARING
	2513890W1	1	RING
	208230M1	1	RING
	71352505	1	FINGER
	195453M1	1	BEARING
	2543650W1	1	BELT
	50468	1	BEARING
	1752532M91	1	PIN
	2533390W1	1	CLAMP
	71162742	1	SEAL KIT, HYD
	2608940W1	1	SPRING
	22520X	1	FLANGE
	833095M1	1	CONE
	2513850W91	1	BEARING
	104010W1	1	BUSHING
	K3352	1	BEARING, BALL
	71367255	1	STRAP, BEARING
	833094M1	1	CUP
	1689170W1	1	BUSHING
	10033	1	BEARING, BALL
	70921884	1	O-RING
	101367M1	1	SENSOR
	1077755M1	1	FINGER
	837858M91	1	SEAL KIT
	837857M91	1	SEAL KIT
	105058W91	1	SEAL KIT

NOTE: THESE PARTS STOCK LIST INDICATES
THOSE ITEMS RECOMMENDED TO SERVICE
FIVE UNITS.
RDL