

A2

PICKUP, BELT, THREE-ROLLER AND PICKUP PLATFORM - 900 SERIES

HP1102 -UN-01JAN94



HP1102

JOHN DEERE 132" BELT PICKUP WITH PLATFORM

(SPECIFICATIONS AND DESIGN SUBJECT TO CHANGE WITHOUT NOTICE)

DATE OF MANUFACTURE

BELT PICKUPS

SIZE	DATE
110"	(-)
132"	(-)
154"	(-)

PICKUP PLATFORMS

SIZE	MODEL	DATE
12'	912	(1988-1993)
13-1/2'	914	(1988-)

A3

PICKUP, BELT, THREE-ROLLER AND PICKUP PLATFORM - 900 SERIES

SERIAL NUMBER PLATE

USE ALL NUMBERS, LETTERS, AND SPACES SHOWN ON THE SERIAL NUMBER PLATE IN WARRANTY CORRESPONDENCE.

PICKUP PLATFORM (625001-)

ON THESE PLATFORMS, THE SERIAL NUMBER PLATE IS LOCATED ON THE LEFT-HAND SIDE OF THE FRAME.

*EXAMPLE: H00912X625001
PICKUP PLATFORM*

(FIRST LINE) H0 - FACTORY (HARVESTER WORKS)
 0912 - PLATFORM MODEL
 X - CONFIGURATION/MODEL SUFFIX
 625001 - PLATFORM SEQUENCE NUMBER (SERIAL NUMBER)
(SECOND LINE) PICKUP PLATFORM - PRODUCT TYPE

NOTE: BELT PICKUPS DO NOT HAVE SERIAL NUMBERS. CHANGES TO BELT PICKUPS ARE SHOWN BY YEARS.

IMPORTANT

THIS PARTS CATALOG CONTAINS COMPLETE PARTS INFORMATION ON THE THREE-ROLLER BELT AND PICKUP PLATFORM. IT IS IMPORTANT THAT THE CORRECT SERIAL NUMBER BE USED WHEN ORDERING PARTS.

SERIAL NUMBER LISTING INFORMATION

SERIAL NUMBER INFORMATION IS LISTED TO SHOW ON WHICH MACHINES EACH PART CAN BE USED, FOR EXAMPLE:

- THE PART CAN BE USED ON ALL MACHINES.
000000- THE PART CAN BE USED ON ALL MACHINES BEGINNING WITH THE SERIAL NUMBER LISTED.
-000000 THE PART CAN BE USED ON ALL MACHINES UP TO AND INCLUDING THE SERIAL NUMBER LISTED.
000000-000000 THE PART CAN BE USED ON ALL MACHINES BETWEEN AND INCLUDING THE SERIAL NUMBERS LISTED.

WHEN XXXXXX'S ARE LISTED IN PLACE OF A SERIAL NUMBER, A SERIAL NUMBER CHANGE WAS MADE BUT THE EXACT SERIAL NUMBER WAS NOT AVAILABLE WHEN THE CATALOG WAS PRODUCED.

*COPYRIGHT (C) 2000. DEERE & COMPANY. MOLINE, ILLINOIS.
ALL RIGHTS RESERVED*

DIRECTION ARROW

ARROWS ARE USED WITH ILLUSTRATIONS TO INDICATE THE FRONT OF THE UNIT. "RIGHT-HAND" AND "LEFT-HAND" SIDES ARE DETERMINED BY FACING IN THE DIRECTION OF MACHINE FORWARD TRAVEL.

BOX-ENCLOSED ILLUSTRATIONS

A KEY NUMBER, SHOWN IN THE PARTS LIST, IS ASSIGNED TO A BOX ENCLOSING ALL PARTS SOLD AS A SERVICE ASSEMBLY. A BOX NOT KEYED INCLUDES NON-CURRENT PARTS.

KITS

KIT INFORMATION CAN BE FOUND IMMEDIATELY AFTER THE STORY IN WHICH IT IS USED. THE ILLUSTRATION IS REPEATED WITH ONLY THE KIT PARTS CALLED OUT AND ALL OTHER PARTS SHOWN IN PHANTOM.

JDM REMANUFACTURED COMPONENTS

THE SERVICE PARTS LISTED IN THIS CATALOG ARE INTENDED FOR THE REPAIR OF ORIGINAL EQUIPMENT COMPONENTS. ALTHOUGH MOST SERVICE PARTS MAY BE USED TO REPAIR REMANUFACTURED COMPONENTS, THE REMANUFACTURED DESIGN MAY CHANGE PARTS SUFFICIENTLY SO THAT SERVICE PARTS ARE INADEQUATE OR NOT USABLE.

BOLT AND CAP SCREW STRENGTH IDENTIFICATION

BOLTS AND CAP SCREWS REQUIRED TO HAVE HIGH-STRENGTH QUALITIES EQUIVALENT TO SAE GRADE 8 ARE IDENTIFIED THROUGHOUT THIS CATALOG BY THE DESCRIPTION HS SAE 8. ALL STANDARD BOLTS AND CAP SCREWS ARE SAE GRADE 5 OR LOWER. BOLTS AND CAP SCREWS REQUIRED TO HAVE HIGH-STRENGTH QUALITIES EQUIVALENT TO PROPERTY CLASS 10.9 ARE IDENTIFIED THROUGHOUT THIS CATALOG BY THE DESCRIPTION HS 10.9. ALL STANDARD BOLTS AND CAP SCREWS ARE PROPERTY CLASS 8.8 OR LOWER.

SI UNITS OF MEASURE

METRIC DIMENSIONS ARE GIVEN, WHERE APPLICABLE, THROUGHOUT THIS PARTS CATALOG.

TRADEMARKS

THROUGHOUT THIS PARTS CATALOG, YOU WILL FIND THE FOLLOWING DEERE & COMPANY TRADEMARKS:

DIAL-A-SPEED™
DIAL-A-MATIC™
HARVESTRAK™

POSI-TORQ™
TORQ-GARD SUPREME®
QUIK-TATCH™

CHANGE INDICATOR LINE

CHANGES AFFECTING THE ORDERING OF PARTS ARE IDENTIFIED BY VERTICAL LINES MARKED IN THE L.H. MARGIN OF REVISED PARTS LISTING IMAGES. A LINE IS ALSO AT THE LEFT-HAND EDGE OF THE SAME PART NUMBER IN THE NUMERICAL INDEX TO SHOW THE LOCATION OF REVISED INFORMATION.

FUNCTION CODE

(EXAMPLE - FC: 5000)

FUNCTION CODES ARE LOCATED ON EACH PAGE IN THE UPPER RIGHT-HAND CORNER. THE CODE LISTED IS A GROUPING CODE THAT CAN BE USED FOR WARRANTIES AND FOR DTAC TO IDENTIFY CERTAIN AREAS.

COMPLETE GOODS LISTINGS

COMPLETE GOODS ARE IN BOLD FACE TYPE. ORDER SEPARATELY. DO NOT INCLUDE ON REPLACEMENT PARTS ORDER.

SECTION INDEX

SECTION 05 - GENERAL INFORMATION

SECTION 10 - ROLLERS AND SUPPORTS

SECTION 15 - FRAME, STRIPPERS, DIVIDERS AND PLATES

SECTION 20 - HEADER HEIGHT CONTROL

SECTION 25 - AUGER AND DRIVE

SECTION 30 - HYDRAULICS

SECTION 35 - IDLERS, TIGHTENERS AND SHIELDS

SECTION 40 - BELTS, CHAINS, SHEAVES, SPROCKETS AND DECALS

SECTION 45 - NUMERICAL INDEX

A6

PICKUP, BELT, THREE-ROLLER AND PICKUP PLATFORM - 900 SERIES

ALPHABETICAL INDEX

GRID		PAGE	GRID		PAGE
	A			C	
A14	ARMS, FINGER HOLD-DOWN (-655150)	10-3	A18	CENTER DRIVE (-655150)	10-7
A15	ARMS, FINGER HOLD-DOWN (655150-)	10-4	A19	CENTER DRIVE (655151-)	10-8
C14	AUGER ADJUSTMENT BRACKETS (-655150)	25-12	C16	CHAIN, CROSS AUGER DRIVE (-635100)	25-14
C15	AUGER ADJUSTMENT BRACKETS (655151-)	25-13	C18	CHAIN, CROSS AUGER DRIVE (635101-655150)	25-16
C12	AUGER AND SHAFT (655151-)	25-10	C20	CHAIN, CROSS AUGER DRIVE (655151-665150)	25-18
C12	AUGER COVER (655151-)	25-10	C22	CHAIN, CROSS AUGER DRIVE, 14' BPU (665151-)	25-20
C24	AUGER DRIVE, CROSS (SIDEHILL) (PICKUP PLATFORM)(615251-640500)	25-22	E6	CHAIN, DRIVE, ON R.H. SIDE	40-1
D1	AUGER DRIVE, CROSS (SIDEHILL) (PICKUP PLATFORM)(645301-655300)	25-24	C16	CLUTCH, SLIP, CROSS AUGER DRIVE (-635100)	25-14
D3	AUGER DRIVE, CROSS (SIDEHILL) (PICKUP PLATFORM)(655301-)	25-26	C18	CLUTCH, SLIP, CROSS AUGER DRIVE (635101-655150)	25-16
C5	AUGER FLIGHT EXTENSIONS (655151-)	25-2	C20	CLUTCH, SLIP, CROSS AUGER DRIVE (655151-665150)	25-18
C12	AUGER HUB (655151-)	25-10	C22	CLUTCH, SLIP, CROSS AUGER DRIVE, 14' BPU (665151-)	25-20
B17	AUTO BELT SPEED (-655150)	20-8	D22	CONVERSION HOSES AND COUPLERS (600001-622500)	30-16
B19	AUTO BELT SPEED (655151-)	20-10	D9	COUPLER, BRACKET, HYDRAULIC LINES (-655150)	30-2
	B		D10	COUPLER, BRACKET, HYDRAULIC LINES (655151-)	30-3
B7	BACK SHEETS (-655150)	15-12	D14	COUPLER, HYDRAULIC MOTOR (-655150)	30-8
B8	BACK SHEETS (655251-)	15-13	D16	COUPLER, HYDRAULIC MOTOR (655151-)	30-10
C12	BEARINGS, AUGER (655151-)	25-10	C12	COVER, AUGER (655151-)	25-10
A20	BEARINGS,CENTER AND IDLER ROLLERS DRIVE (-655150)	10-10	C12	CRANK, AUGER (655151-)	25-10
A21	BEARINGS,CENTER AND IDLER ROLLERS DRIVE (655151-)	10-11	C8	CROSS AUGER AND SPROCKET (-635100)	25-6
B17	BELT SPEED, AUTO (-655150)	20-8	C10	CROSS AUGER AND SPROCKET (635101-655150)	25-8
B19	BELT SPEED, AUTO (655151-)	20-10	C16	CROSS AUGER DRIVE (-635100)	25-14
B2	BELTS AND FINGERS	15-7	C18	CROSS AUGER DRIVE (635101-655150)	25-16
B7	BOTTOM SHEET (-655150)	15-12	C20	CROSS AUGER DRIVE (655151-665150)	25-18
B8	BOTTOM SHEET (655151-)	15-13	C24	CROSS AUGER DRIVE (SIDEHILL) (PICKUP PLATFORM)(615251-640500)	25-22
D9	BRACKET, HYDRAULIC LINES (-655150)	30-2	D3	CROSS AUGER DRIVE (SIDEHILL) (PICKUP PLATFORM)(655301-)	25-26
D10	BRACKET, HYDRAULIC LINES (655151-)	30-3	C22	CROSS AUGER DRIVE, 14' BPU (665151-)	25-20
D14	BRACKET, HYDRAULIC MOTOR (-655150)	30-8	D1	CROSS AUGER DRIVES (SIDEHILL) (PICKUP PLATFORM)(645301-655300)	25-24
D16	BRACKET, HYDRAULIC MOTOR (655151-)	30-10		D	
C14	BRACKETS, ADJUSTMENT, AUGER (-655150)	25-12	E7	DECALS	40-2
C15	BRACKETS, ADJUSTMENT, AUGER (655151-)	25-13	B21	DIAL-A-MATIC BEARINGS (-655150)	20-12
			B22	DIAL-A-MATIC BEARINGS (655151-)	20-13
			B21	DIAL-A-MATIC BRACKETS (-655150)	20-12
			B22	DIAL-A-MATIC BRACKETS (655151-)	20-13

A7

PICKUP, BELT, THREE-ROLLER AND PICKUP PLATFORM - 900 SERIES

ALPHABETICAL INDEX - CONTINUED

<i>GRID</i>		<i>PAGE</i>	<i>GRID</i>		<i>PAGE</i>
B11	DIAL-A-MATIC SENSING BOX (-655150)	20 - 1	B1	FLAP, STRIPPER (-655151)	15 - 5
B12	DIAL-A-MATIC SENSING BOX (655151-)	20 - 2	A24	FLAP, STRIPPER (655151-)	15 - 3
B21	DIAL-A-MATIC SHAFT (-655150)	20 - 12	C4	FLIGHT EXTENSIONS (-655300)	25 - 1
B22	DIAL-A-MATIC SHAFT (655151-)	20 - 13	C5	FLIGHT, AUGER, EXTENSIONS (655151-)	25 - 2
B13	DIAL-A-MATIC WIRING HARNESS (-655150)	20 - 4	C6	FLIGHT, WINDROW SPREADER (-655150)	25 - 3
B15	DIAL-A-MATIC WIRING HARNESS (655151-)	20 - 6	C7	FLIGHT, WINDROW SPREADER (655151-)	25 - 4
B13	DIAL-A-MATIC, HEADER HEIGHT CONTROL (-655150)	20 - 4	A18	FRAME, IDLER ROLLERS (-655150)	10 - 7
B15	DIAL-A-MATIC, HEADER HEIGHT CONTROL (655151-)	20 - 6	A19	FRAME, IDLER ROLLERS (655151-)	10 - 8
B13	DIAL-A-SPEED CONTROL (-655150)	20 - 4	B3	FRAME, MAIN AND RUNNERS (-655150)	15 - 8
B15	DIAL-A-SPEED CONTROL (655151-)	20 - 6	B5	FRAME, MAIN AND RUNNERS (655151-)	15 - 10
E6	DRIVE CHAIN ON RIGHT-HAND SIDE	40 - 1	G		
D13	DRIVE MOTOR, HYDRAULIC (-625900)	30 - 6	A12	GAUGE WHEELS (-655150)	10 - 1
D6	DRIVE SHAFT, HEADER-SIDEHILL (615251-640500)	25 - 29	A13	GAUGE WHEELS (655151-)	10 - 2
D5	DRIVE SHAFT, MAIN (645251-)	25 - 28	B7	GRAIN SLIDE (-655150)	15 - 12
A18	DRIVE, CENTER (-655150)	10 - 7	B8	GRAIN SLIDE (655151-)	15 - 13
A19	DRIVE, CENTER (655151-)	10 - 8	C6	GUSSETT, WINDROW SPREADER (-655150)	25 - 3
C16	DRIVE, CROSS AUGER (-635100)	25 - 14	C7	GUSSETT, WINDROW SPREADER (655151-)	25 - 4
C18	DRIVE, CROSS AUGER (635101-655150)	25 - 16	H		
C20	DRIVE, CROSS AUGER (655151-665150)	25 - 18	D6	HEADER DRIVE SHAFT-SIDEHILL (615251-640500)	25 - 29
C24	DRIVE, CROSS AUGER (SIDEHILL) (PICKUP PLATFORM)(615251-640500)	25 - 22	B21	HEADER HEIGHT CONTROL BEARING (-655150)	20 - 12
D1	DRIVE, CROSS AUGER (SIDEHILL) (PICKUP PLATFORM)(645301-655300)	25 - 24	B22	HEADER HEIGHT CONTROL BEARING (655151-)	20 - 13
D3	DRIVE, CROSS AUGER (SIDEHILL) (PICKUP PLATFORM)(655301-)	25 - 26	B21	HEADER HEIGHT CONTROL BRACKETS (-655150)	20 - 12
C22	DRIVE, CROSS AUGER, 14' BPU (665151-)	25 - 20	B22	HEADER HEIGHT CONTROL BRACKETS (655151-)	20 - 13
E			B21	HEADER HEIGHT CONTROL SHAFT (-655150)	20 - 12
C4	EXTENSIONS, FLIGHT (-655300)	25 - 1	B22	HEADER HEIGHT CONTROL SHAFT (655151-)	20 - 13
C5	EXTENSIONS, FLIGHT, AUGER (655151-)	25 - 2	B13	HEADER HEIGHT CONTROL WIRING HARNESS (-655150)	20 - 4
F			B15	HEADER HEIGHT CONTROL WIRING HARNESS (655151-)	20 - 6
C12	FINGERS, AUGER (655151-)	25 - 10	A14	HOLD-DOWN FINGERS (-655150)	10 - 3
A14	FINGERS, HOLD-DOWN (-655150)	10 - 3	A15	HOLD-DOWN FINGERS (655151-)	10 - 4
A15	FINGERS, HOLD-DOWN (655150-)	10 - 4	D22	HOSE AND COUPLER CONVERSION (600001-622500)	30 - 16
A23	FLAP, STRIPPER (-655150)	15 - 2	D11	HOSES, HYDRAULIC (-655150)	30 - 4
A25	FLAP, STRIPPER (-655150)	15 - 4			

ALPHABETICAL INDEX - CONTINUED

GRID		PAGE	GRID		PAGE
D12	HOSES, HYDRAULIC (655151-)	30-5		M	
A20	HOUSINGS, BEARINGS, IDLER DRIVE ROLLER (-655150)	10-10	D5	MAIN DRIVE SHAFT (645251-)	25-28
A21	HOUSINGS, BEARINGS, IDLER DRIVE ROLLER (655151-)	10-11	B3	MAIN FRAME AND RUNNERS (-655150)	15-8
C12	HUB, AUGER (655151-)	25-10	B5	MAIN FRAME AND RUNNERS (655151-)	15-10
D13	HYDRAULIC DRIVE MOTOR (-625900)	30-6	B23	MARKER LIGHTS (-655150)	20-14
D9	HYDRAULIC LINES AND BRACKET (-655150)	30-2	B24	MARKER LIGHTS (655151-)	20-15
D10	HYDRAULIC LINES AND BRACKET (655151-)	30-3	D7	METRIC KEY STOCK KIT	25-30
D11	HYDRAULIC LINES AND HOSES (-655150)	30-4	D14	MOTOR, COUPLER (-655150)	30-8
D12	HYDRAULIC LINES AND HOSES (655151-)	30-5	D16	MOTOR, COUPLER (655151-)	30-10
D14	HYDRAULIC MOTOR COUPLER (-655150)	30-8	D13	MOTOR, DRIVE, HYDRAULIC (-625900)	30-6
D16	HYDRAULIC MOTOR COUPLER (655151-)	30-10	D18	MOTOR, HYD., HYDROSTATIC DRIVE REEL (-655290) (ROSS)	30-12
D14	HYDRAULIC MOTOR MOUNTING BRACKET (-655150)	30-8	D14	MOTOR, MOUNTING BRACKET (-655150)	30-8
D16	HYDRAULIC MOTOR MOUNTING BRACKET (655151-)	30-10	D16	MOTOR, MOUNTING BRACKET (655151-)	30-10
D18	HYDRAULIC MOTOR, HYDROSTATIC DRIVE REEL (-655290) (ROSS)	30-12	D20	MOTOR, REEL (EATON) (655291-)	30-14
D18	HYDROSTATIC DRIVE REEL HYDRAULIC MOTOR (-655290)	30-12	B2	MOUNTING SUPPORTS	15-7
	I			R	
A18	IDLER ROLLERS (-655150)	10-7	D18	REEL MOTOR (-655290) (ROSS)	30-12
A19	IDLER ROLLERS (655151-)	10-8	D20	REEL MOTOR (EATON) (655291-)	30-14
	K		A14	RETAINER, HOLD-DOWN FINGERS (-655150)	10-3
D7	KEY STOCK, METRIC KIT	25-30	A15	RETAINER, HOLD-DOWN FINGERS (655150-)	10-4
D7	KIT, METRIC KEY STOCK	25-30	A18	ROLLERS, IDLER (-655150)	10-7
	L		A19	ROLLERS, IDLER (655151-)	10-8
B23	LIGHTS, MARKER (-655150)	20-14	B3	RUNNERS AND MAIN FRAME (-655150)	15-8
B24	LIGHTS, MARKER (655151-)	20-15	B5	RUNNERS AND MAIN FRAME (655151-)	15-10
B25	LIGHTS, STUBBLE (-655150)	20-16		S	
C1	LIGHTS, STUBBLE (655151-)	20-17	B11	SENSING BOX MOUNTING, DIAL-A-MATIC (-655150)	20-1
D9	LINES, HYDRAULIC (-655150)	30-2	B12	SENSING BOX MOUNTING, DIAL-A-MATIC (655151-)	20-2
D11	LINES, HYDRAULIC (-655150)	30-4	B11	SENSING BOX, DIAL-A-MATIC (-655150)	20-1
D10	LINES, HYDRAULIC (655151-)	30-3	B12	SENSING BOX, DIAL-A-MATIC (655151-)	20-2
D12	LINES, HYDRAULIC (655151-)	30-5	C12	SHAFT AND AUGER (655151-)	25-10
			C16	SHAFT, CROSS AUGER DRIVE (-635100)	25-14
			C18	SHAFT, CROSS AUGER DRIVE (635101-655150)	25-16

A9

PICKUP, BELT, THREE-ROLLER AND PICKUP PLATFORM - 900 SERIES

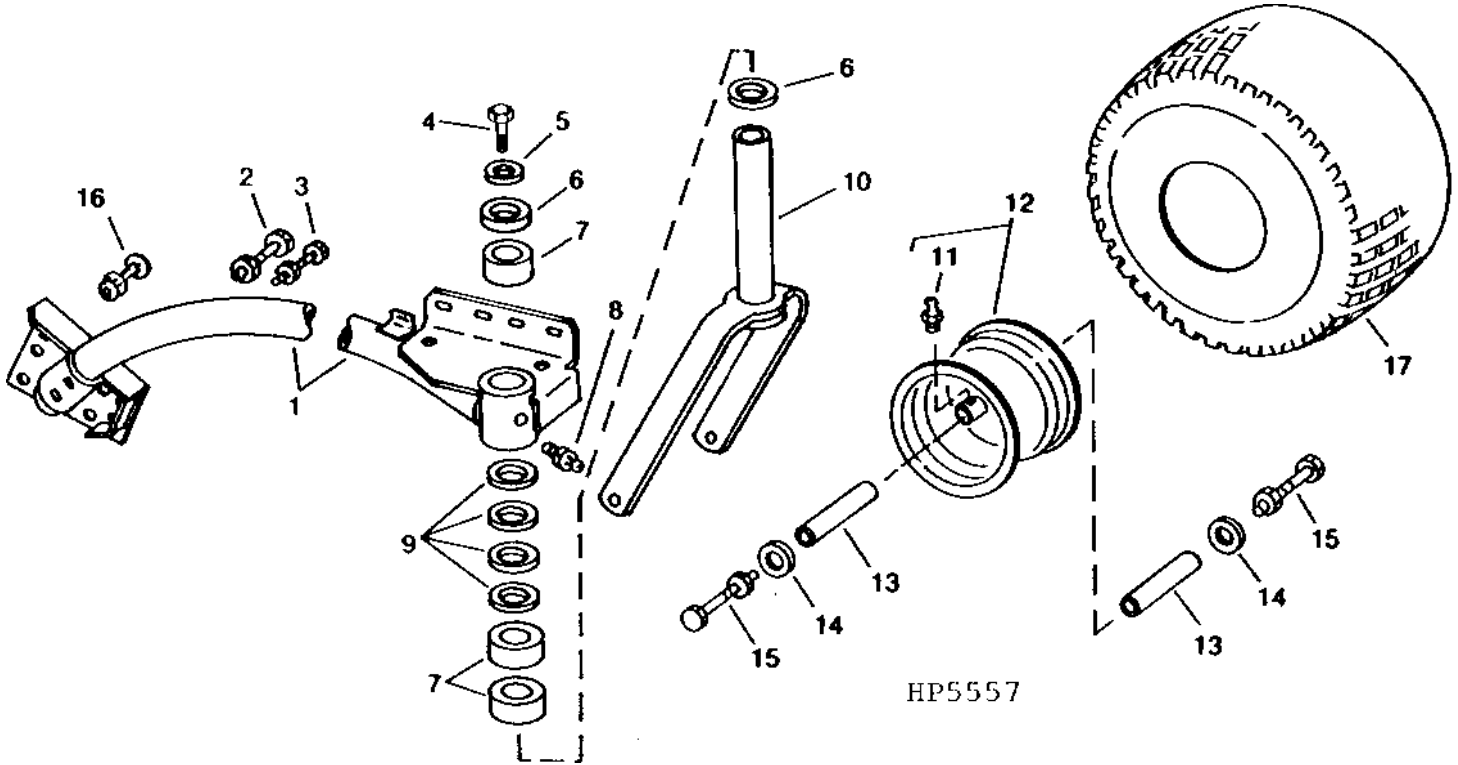
ALPHABETICAL INDEX - CONTINUED

<i>GRID</i>		<i>PAGE</i>	<i>GRID</i>		<i>PAGE</i>
C20	SHAFT, CROSS AUGER DRIVE (655151-665150)	25 - 18	A24	STRIPPER (655151-)	15 - 3
C22	SHAFT, CROSS AUGER DRIVE, 14' BPU (665151-)	25 - 20	A23	STRIPPER FLAP (-655150)	15 - 2
D6	SHAFT, HEADER DRIVE-SIDEHILL (615251-640500)	25 - 29	A25	STRIPPER FLAP (-655150)	15 - 4
D5	SHAFT, MAIN DRIVE (645251-)	25 - 28	B1	STRIPPER FLAP (-655151)	15 - 5
B7	SHEET, BOTTOM (-655150)	15 - 12	A24	STRIPPER FLAP (655151-)	15 - 3
B8	SHEET, BOTTOM (655151-)	15 - 13	B25	STUBBLE LIGHTS (-655150)	20 - 16
B7	SHEETS, BACK (-655150)	15 - 12	C1	STUBBLE LIGHTS (655151-)	20 - 17
B8	SHEETS, BACK (655151-)	15 - 13	A12	SUPPORT, YOKE (-655150)	10 - 1
E2	SHIELD (-635100)	35 - 2	A13	SUPPORT, YOKE (655151-)	10 - 2
E3	SHIELD (635101-655150)	35 - 3		T	
E4	SHIELD (655151-)	35 - 4	E6	TIGHTENERS AND SPROCKETS ON R.H. SIDE	40 - 1
C16	SHIELD, CROSS AUGER DRIVE (-635100)	25 - 14		W	
C18	SHIELD, CROSS AUGER DRIVE (635101-655150)	25 - 16	D6	WALTERSCHIED HEADER DRIVE SHAFT, S.H. (615251-640500)	25 - 29
C20	SHIELD, CROSS AUGER DRIVE (655151-665150)	25 - 18	A12	WHEEL YOKE (-655150)	10 - 1
C22	SHIELD, CROSS AUGER DRIVE, 14' BPU (665151-)	25 - 20	A13	WHEEL YOKE (655151-)	10 - 2
A16	SHIELDS, PICKUP (-655150)	10 - 5	A12	WHEELS, GAUGE (-655150)	10 - 1
A17	SHIELDS, PICKUP (655151-)	10 - 6	A13	WHEELS, GAUGE (655151-)	10 - 2
D6	SIDEHILL-HEADER DRIVE SHAFT (615251-640500)	25 - 29	C6	WINDROW SPREADER FLIGHT (-655150)	25 - 3
B17	SPEED, AUTO BELT (-655150)	20 - 8	C7	WINDROW SPREADER FLIGHT (655151-)	25 - 4
B19	SPEED, AUTO BELT (655151-)	20 - 10	B13	WIRING HARNESS, HEADER HEIGHT CONTROL (-655150)	20 - 4
C8	SPROCKET AND CROSS AUGER (-635100)	25 - 6	B15	WIRING HARNESS, HEADER HEIGHT CONTROL (655151-)	20 - 6
C10	SPROCKET AND CROSS AUGER (635101-655150)	25 - 8		Y	
E6	SPROCKETS AND TIGHTENERS ON R.H. SIDE	40 - 1	A12	YOKE SUPPORT (-655150)	10 - 1
C16	SPROCKETS, CROSS AUGER DRIVE (-635100)	25 - 14	A13	YOKE SUPPORT (655151-)	10 - 2
C18	SPROCKETS, CROSS AUGER DRIVE (635101-655150)	25 - 16			
C20	SPROCKETS, CROSS AUGER DRIVE (655151-665150)	25 - 18			
C22	SPROCKETS, CROSS AUGER DRIVE, 14' BPU (665151-)	25 - 20			
A20	SPROCKETS,CENTER AND IDLER ROLLERS DRIVE (-655150)	10 - 10			
A21	SPROCKETS,CENTER AND IDLER ROLLERS DRIVE (655151-)	10 - 11			
A23	STRIPPER (-655150)	15 - 2			
A25	STRIPPER (-655150)	15 - 4			
B7	STRIPPER (-655150)	15 - 12			
B1	STRIPPER (-655151)	15 - 5			
B8	STRIPPER (655151-)	15 - 13			

A12

ROLLERS AND SUPPORTS

GAUGE WHEELS
(R.H. ILLUSTRATED)
(-655105)
HP5557 -UN-01JAN94

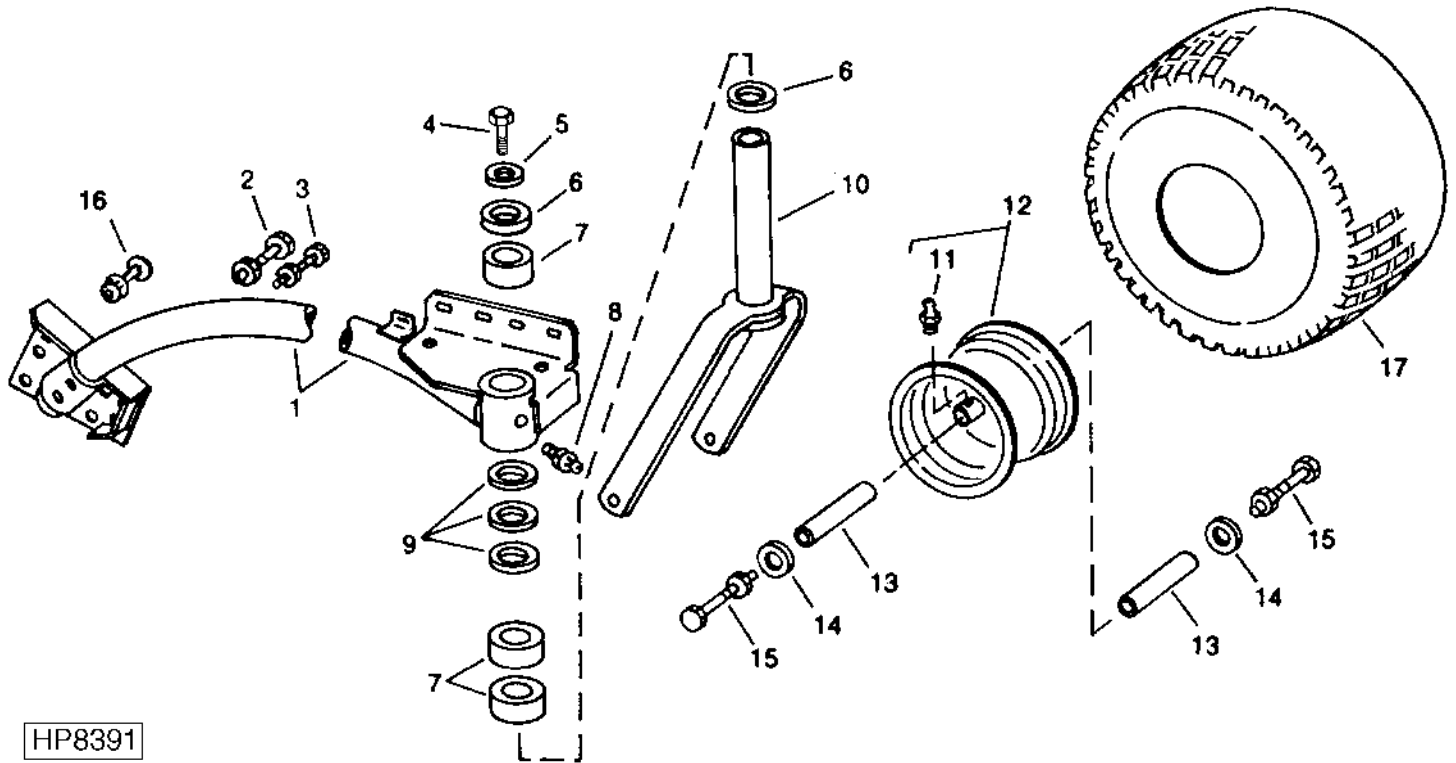


KEY	PART NO.	PART NAME	QTY	SERIAL NO.	REMARKS
1	AH116955	ARM	1	-640100	R.H.
	AH132562	SUPPORT	1	640101-	R.H.
	AH116956	ARM	1	-640100	L.H.
	AH132563	SUPPORT	1	640101-	L.H.
2	03H1731	BOLT	8		1/2" X 1-1/2"
	E54809	LOCK NUT	8		12.700 MM (1/2")
3	03H1709	BOLT	4		5/16" X 1"
	N10213	LOCK NUT	4		7.925 MM (5/16")
4	19H1792	CAP SCREW	2	-640100	1/2" X 1"
	19M7788	SCREW	2	640101-	M12 X 25
	12H301	LOCK WASHER	2	-640100	1/2"
5	24H1347	WASHER	2		17/32" X 2" X 0.194"
6	24H1520	WASHER	4		1-15/32" X 2" X 0.105"
7	H111742	RING	6		
8	JD7797	LUBRICATION FITTING	2		STRAIGHT, 1/4"
9	E32172	WASHER	8		38.100 X 57.150 X 6.350 MM (1-1/2" X 2-1/4" X 1/4")
10	AH102883	YOKE	2	-640100	
	AH133711	YOKE	2	640101-	
11	JD7829	LUBRICATION FITTING	2		STRAIGHT, 5/16"
12	AG903E	WHEEL	2	-640100	(USE 20 X 10.00 - 8 (4 PLY) TIRES)
	AH133712	WHEEL	2	640101-	(USE 20 X 10.00 - 8 (4 PLY) TIRES)
13	E16421	SPACER	2	-640100	16.662 X 25.273 X 129.388 MM (21/32" X 0.995" X 5-3/32")
	H139004	PIN	2	640101-	
14	G6891E	CAP	4		
15	08H3439	CAP SCREW	2	-640100	5/8" X 7-1/4"
	19M7843	SCREW	4	640101-	M16 X 35
	12H294	LOCK WASHER	2	-640100	5/8"
	14H760	NUT	2	-640100	5/8"
16	03H1659	BOLT	1		1/2" X 1"
	E54809	LOCK NUT	1		12.700 MM (1/2")
17	TIRE	2		

A13

**GAUGE WHEELS
(R.H. ILLUSTRATED)**

(655151-)
HP8391 -UN-24MAR99



HP8391

KEY	PART NO.	PART NAME	QTY	SERIAL NO.	REMARKS
1	AH132562	SUPPORT	1	R.H.	
	AH132563	SUPPORT	1	L.H.	
2	03M7200	BOLT	8	M12 X 40	
	14M7299	FLANGE NUT	8	M12	
3	03M7185	BOLT	4	M8 X 25	
	14M7298	FLANGE NUT	4	M8	
4	19M7788	SCREW	2	M12 X 25	
5	24H1347	WASHER	2	17/32" X 2" X 0.194"	
6	24H1520	WASHER	4	1-15/32" X 2" X 0.105"	
7	H111742	RING	6		
8	JD7797	LUBRICATION FITTING	2	STRAIGHT, 1/4"	
9	E32172	WASHER	6		
10	AH133711	YOKE	2		
11	JD7829	LUBRICATION FITTING	2	STRAIGHT, 5/16"	
12	AH133712	WHEEL	2	(USE 20 X 10.00 - 8 (4 PLY) TIRES)	
13	H139004	PIN	2		
14	G6891E	CAP	4		
15	19M7843	SCREW	2	M16 X 35	
16	03M7197	BOLT	1	M12 X 25	
	14M7299	FLANGE NUT	1	M12	
17	TIRE	2	(4 PLY TIRE)	
	TIRE	2	(6 PLY TIRE) (CIS COUNTRIES ONLY)	

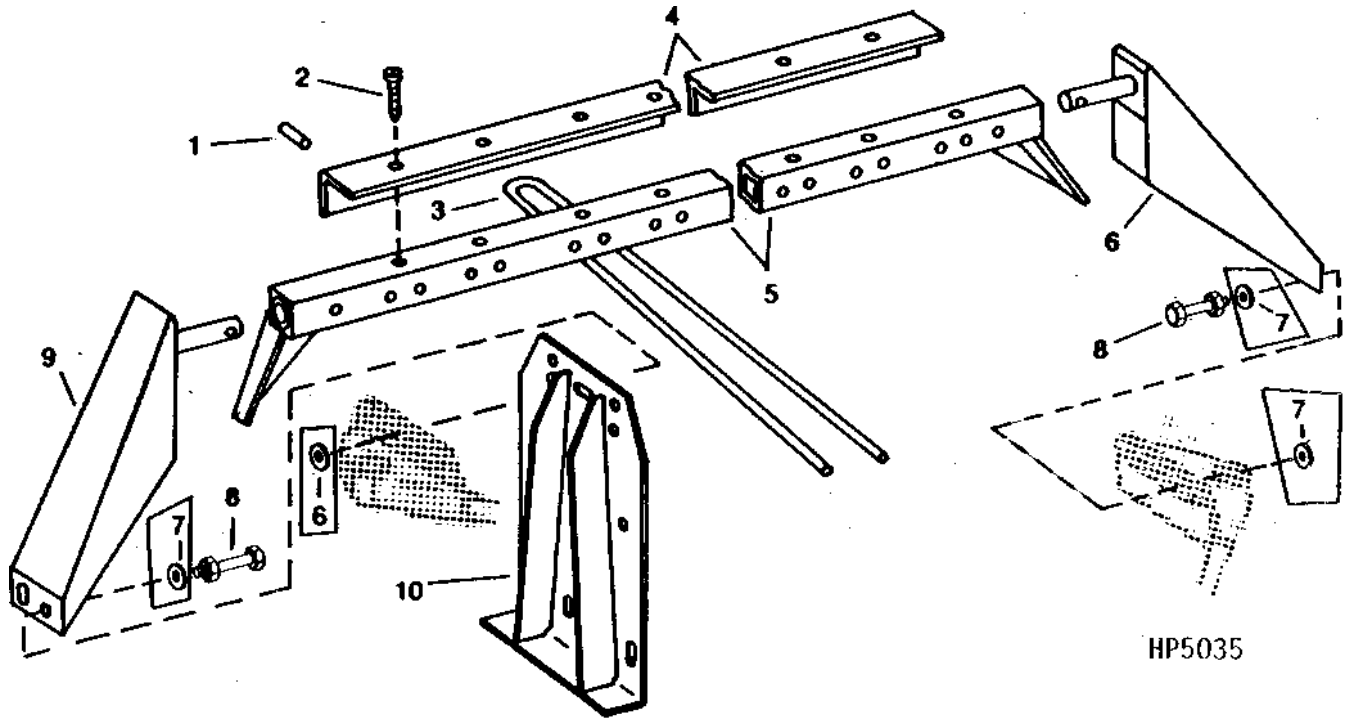
BH79209 (COMPLETE GOODS) BELT PICKUP FRAME 110"

A14

ROLLERS AND SUPPORTS

HOLD-DOWN FINGERS AND SUPPORTS

(-655150)
HP5035 -UN-01JAN94



HP5035

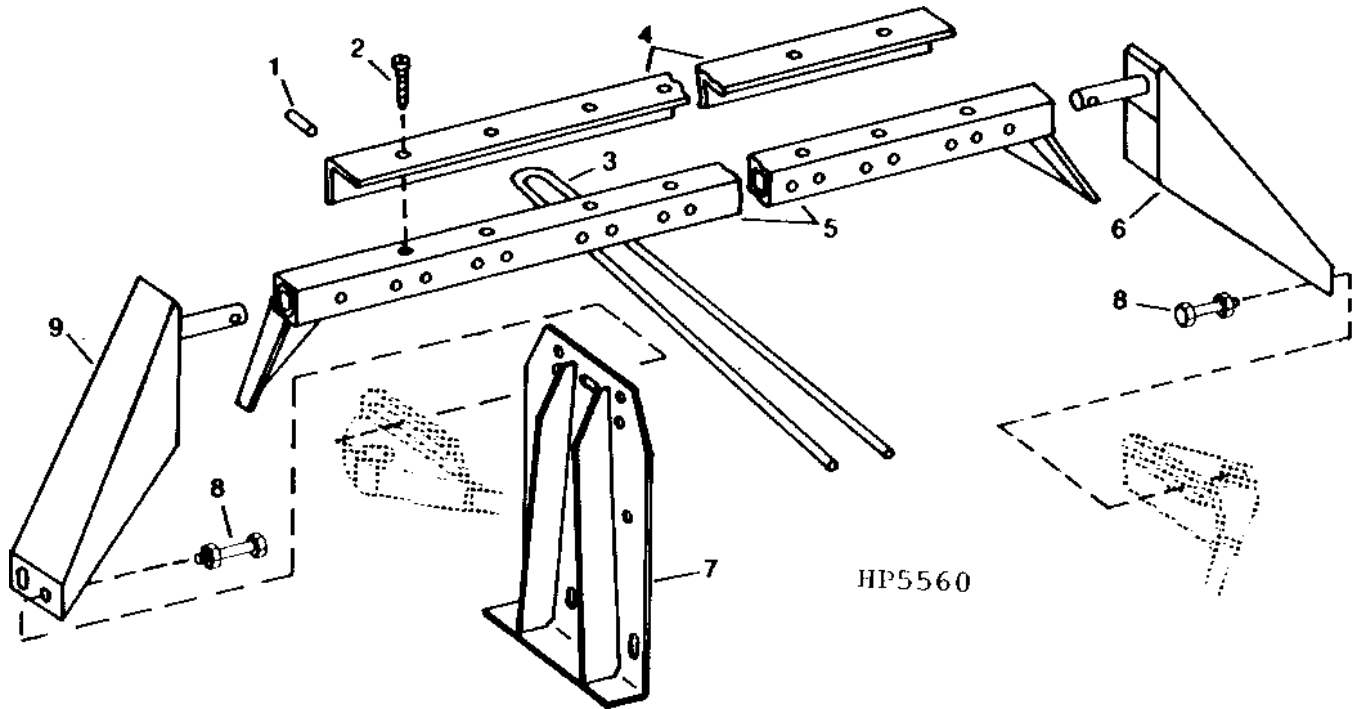
KEY	PART NO.	PART NAME	QTY	SERIAL NO.	REMARKS
1	34H105	SPRING PIN	2		1/4" X 1-1/2"
2	H78354	SCREW	AR		7.938 X 14.224 MM (5/16" X 0.560") (110", 8 USED; 132", 9 USED; 154", 10 USED)
3	H87747	FINGER	AR		(110", 26 USED; 132", 31 USED; 154", 36 USED)
4	H107287	RETAINER	1		(110")
	H106260	RETAINER	1		(132")
	H106259	RETAINER	1		(154")
5	AH106171	TUBE	1		(110")
	AH98138	TUBE	1		(132")
	AH156408	TUBE	1		(SUB FOR AH98137) (154")
6	AH98135	ARM	1	-640100	(R.H.)
	AH132570	SUPPORT	1	640101-	(R.H.)
7	24H1790	WASHER	8	-640100	17/32" X 1-1/2" X 0.164"
8	19H1721	CAP SCREW	4	-640100	1/2" X 1-1/2"
	T55636	BOLT	4	640101-	1/2" X 1-1/4"
	12H301	LOCK WASHER	4	-640100	1/2"
	14H809	NUT	4	-640100	1/2"
9	AH98136	ARM	1	-640100	(L.H.)
	AH132571	SUPPORT	1	640101-	(L.H.)
10	AH132572	EXTENSION	2	640101-	L H OR R H, TWO REQUIRED

A15

ROLLERS AND SUPPORTS

HOLD-DOWN FINGERS AND SUPPORTS

(655151-)
HP5560 -UN-01JAN94



KEY	PART NO.	PART NAME	QTY	SERIAL NO.	REMARKS
1	34H105	SPRING PIN	2		1/4" X 1-1/2"
2	37M7083	SCREW	AR		M8 X 12 (110", 8 USED; 132", 9 USED; 154", 10 USED)
3	H87747	FINGER	AR		(110", 26 USED; 132", 31 USED; 154", 36 USED)
4	H107287	RETAINER	1		(110")
	H106260	RETAINER	1		(132")
	H106259	RETAINER	1		(154")
5	AH106171	TUBE	1		(110")
	AH98138	TUBE	1		(132")
	AH156408	TUBE	1		(SUB FOR AH98137) (154")
6	AH132570	SUPPORT	1		(R.H.)
7	AH132572	EXTENSION	2		L H OR R H, TWO REQUIRED
8	19M7789	SCREW	4		M12 X 30
	14M7299	FLANGE NUT	4		M12
9	AH132571	SUPPORT	1		(L.H.)
..	AH135954	EXTENSION	1		(INCLUDES AH132572, (4) 19M7789 AND (4) 14M7299)

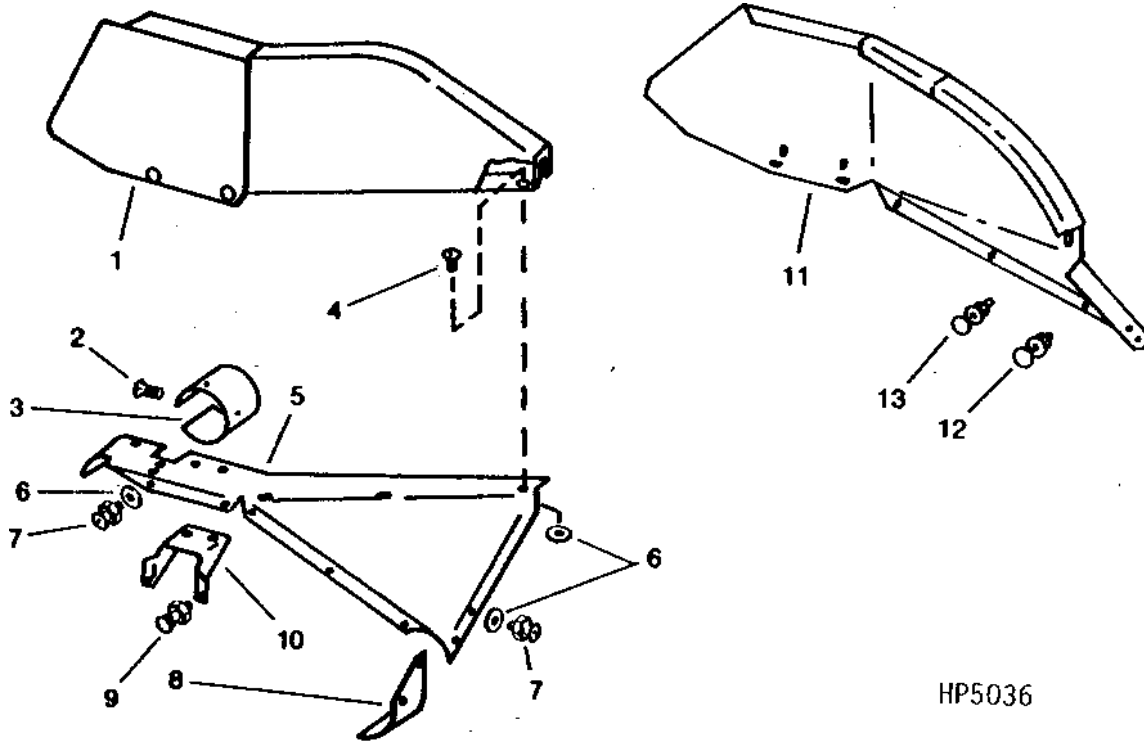
BH71942 (COMPLETE GOODS) BPU 110"

A16

ROLLERS AND SUPPORTS

PICKUP SHIELDS

(-655150)
HP5036 -UN-01JAN94



HP5036

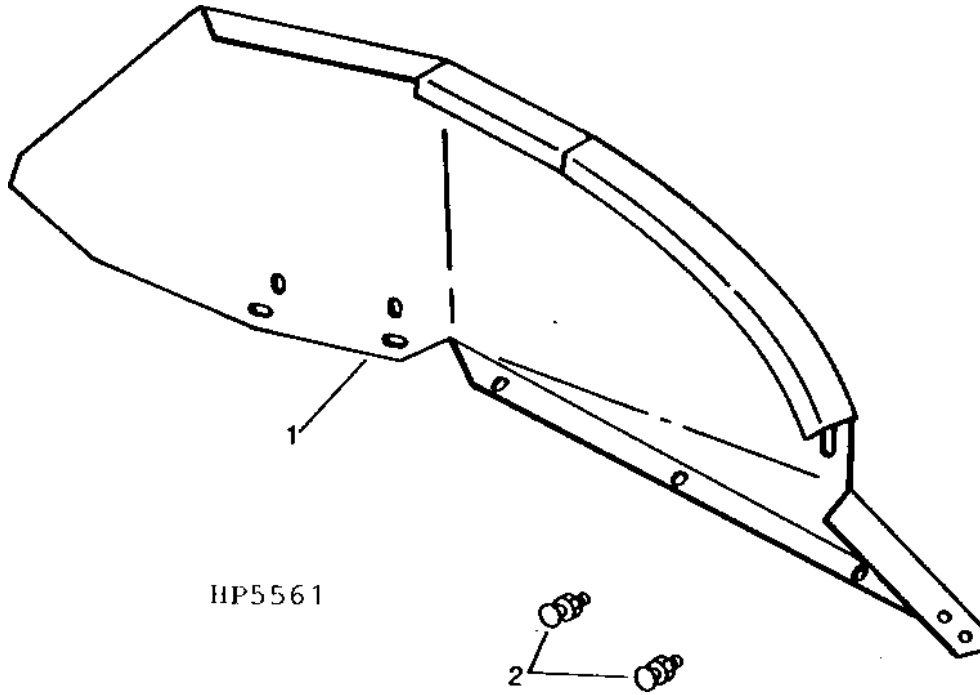
KEY	PART NO.	PART NAME	QTY	SERIAL NO.	REMARKS
1	AH92667	SHIELD	1	-640100	R.H.
	AH92668	SHIELD	1	-640100	L.H.
2	21H1024	SCREW	2	-640100	1/4" X 5/8"
3	AH76956	SHIELD	1	-640100	L.H.
	AH89342	SHIELD	1	-640100	R.H.
4	19H1227	CAP SCREW	6	-640100	1/4" X 1/2"
5	AH103737	SHIELD	1	-625900	L.H. (SUB AH124642)
	AH124642	SHIELD	1	-640100	
	AH111199	SHIELD	1	-640100	R.H.
6	24H1287	WASHER	AR	-640100	9/32" X 5/8" X 0.065"
7	21H1024	SCREW	18	-640100	1/4" X 5/8"
	N10217	LOCK NUT	18	-640100	1/4"
8	H76323	SHIELD	1	-640100	L.H.
	H76322	SHIELD	1	-640100	R.H.
9	03H1268	BOLT	4	-640100	5/16" X 3/4"
	N10213	LOCK NUT	4	-640100	5/16"
10	H76321	BRACKET	2	-640100	
11	AH132566	WINDSHIELD	1	640101-	
	AH132567	WINDSHIELD	1	640101-	
12	21H1024	SCREW	10	640101-	1/4" X 5/8"
	N10217	LOCK NUT	10	640101-	6.350 MM (1/4")
13	21H1024	SCREW	2	640101-	1/4" X 5/8"
	N10217	LOCK NUT	2	640101-	6.350 MM (1/4")

BH71942 (COMPLETE GOODS) BPU 110"
BH71943 (COMPLETE GOODS) BPU 132"

A17

PICKUP SHIELDS

(655151-)
 HP5561 -UN-01JAN94



KEY	PART NO.	PART NAME	QTY	SERIAL NO.	REMARKS
1	AH132566	WINDSHIELD	1	R.H.	
	AH132567	WINDSHIELD	1	L.H.	
2	19M7775	SCREW	12	M6 X 16	
	14M7397	LOCK NUT	12	M6	

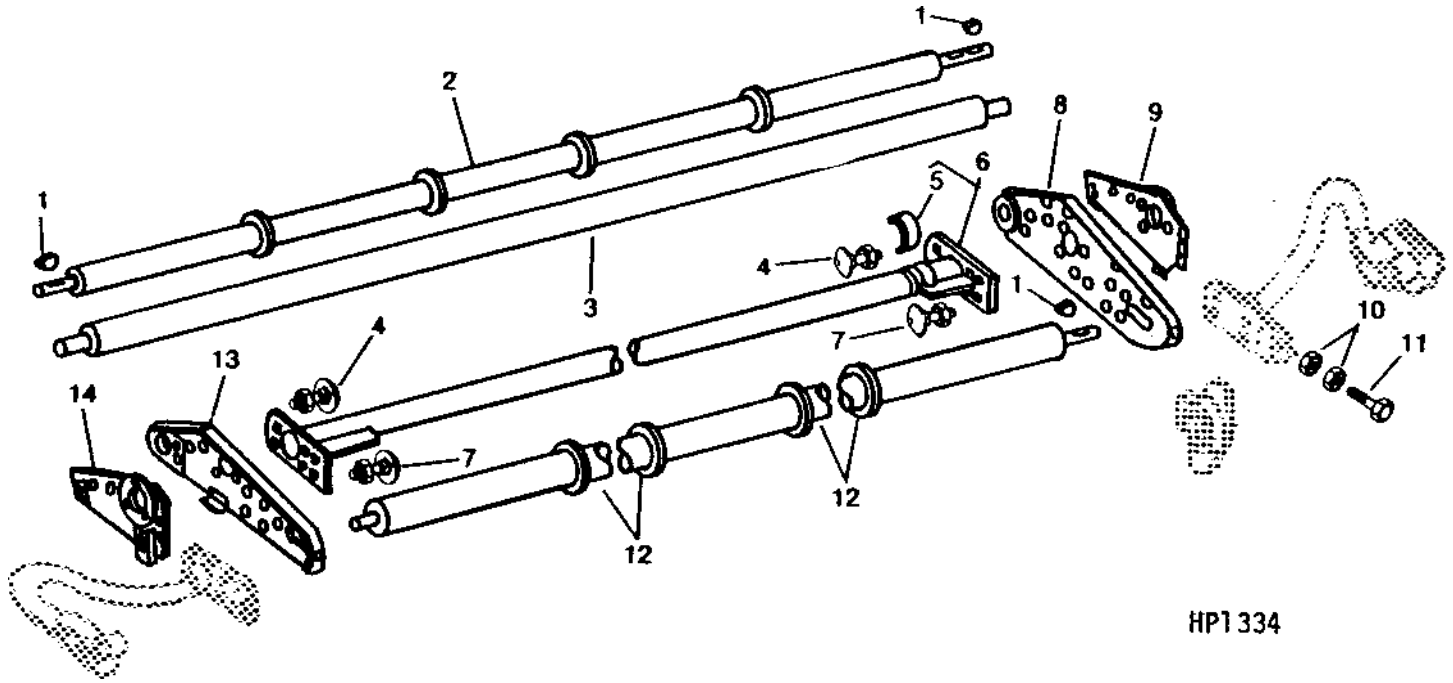
BH71942 (COMPLETE GOODS) BPU 110"
 BH71943 (COMPLETE GOODS) BPU 132"

A18

ROLLERS AND SUPPORTS

DRIVE, CENTER, AND IDLER ROLLERS

(-655150)
HP1334 -UN-01JAN94



HP1334

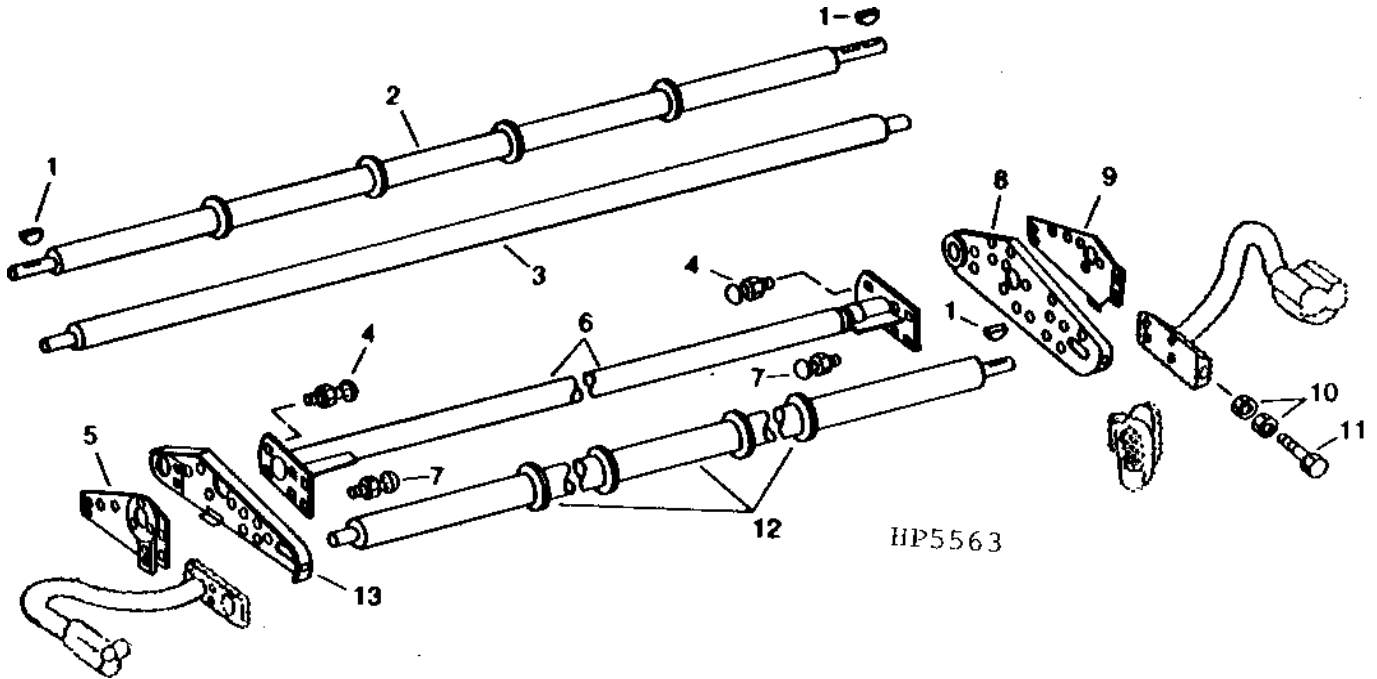
KEY	PART NO.	PART NAME	QTY	SERIAL NO.	REMARKS
1	26H40	SHAFT KEY	3		1/4" X 2-1/8"
2	AH124540	ROLLER	1	-640100	(110")
	AH135590	ROLLER	1	640101-	(110")
	AH124539	ROLLER	1	-640100	(132")
	AH135591	ROLLER	1	640101-	(132")
	AH124538	ROLLER	1	-640100	(154")
	AH135592	ROLLER	1	640101-	(154")
3	AH111517	ROLLER	1		(110")
	AH111516	ROLLER	1		(132")
	AH111515	ROLLER	1		(154")
4	03H1709	BOLT	4		5/16" X 1"
	N10213	LOCK NUT	4		7.925 MM (5/16")
5	H102766	PAD	1	-625900	(NO LONGER AVAILABLE)
6	AH103056	TUBE	1	-625900	(110")
	AH129268	TUBE	1		(110")
	AH103055	TUBE	1	-625900	(132")
	AH129269	TUBE	1		(132")
	AH103057	TUBE	1	-625900	(154")
	AH129270	TUBE	1		(154")
7	03H1731	BOLT	8		1/2" X 1-1/2"
	E54809	LOCK NUT	8		12.700 MM (1/2")
8	AH111171	PLATE	1	-640100	L.H.
	AH132565	SHEET	1	640101-	
9	AH111173	REINFORCEMENT	1		L.H. (SUB AH142752 AND (3) 19M7784)
10	14H809	NUT	4		1/2"
11	19H2062	CAP SCREW	2		1/2" X 4"
12	AH127886	ROLLER	1	-640100	(110")
	AH135596	ROLLER	1	640101-	(110")
	AH127885	ROLLER	1	-640100	(132")
	AH135597	ROLLER	1	640101-	(132")
	AH127882	ROLLER	1	-640100	(154")
	AH135598	ROLLER	1	640101-	(154")
13	AH111170	PLATE	1	-640100	R.H.
	AH132564	SHEET	1	640101-	
14	AH111172	REINFORCEMENT	1		(SUB AH142753 AND (3) 19M7784) R.H.

BH71942 (COMPLETE GOODS) BPU 110"
BH71943 (COMPLETE GOODS) BPU 132"

A19

DRIVE, CENTER, AND IDLER ROLLERS

(655151-)
 HP5563 -UN-01JAN94



HP5563

KEY	PART NO.	PART NAME	QTY	SERIAL NO.	REMARKS
1	26H40	SHAFT KEY	3		1/4" X 2-1/8"
2	AH135590	ROLLER	1		(110")
	AH135591	ROLLER	1		(132")
	AH135592	ROLLER	1		(154")
3	AH111517	ROLLER	1		(110")
	AH111516	ROLLER	1		(132")
	AH111515	ROLLER	1		(154")
4	03M7186	BOLT	4		M8 X 30
	14M7298	FLANGE NUT	4		M8
5	AH156994	REINFORCEMENT	1		(SUB FOR AH142753) L.H.
6	AH129268	TUBE	1		(110")
	AH129269	TUBE	1		(132")
	AH129270	TUBE	1		(154")
7	03M7200	BOLT	8		M12 X 40
	14M7299	FLANGE NUT	8		M12
8	AH156993	SHEET	1		L.H. (SUB FOR AH132565)
9	AH156995	REINFORCEMENT	1		L.H. (SUB FOR AH142752)
10	14M7415	NUT	4	-655261	M12
	14H809	NUT	4	655262-	12.700 MM (1/2")
11	19M7590	CAP SCREW	2	-655261	M12 X 100
	19H2062	CAP SCREW	2	655262-	12.700 X 101.600 MM (1/2" X 4")
12	AH135596	ROLLER	1		(110")
	AH135597	ROLLER	1		(132")
	AH135598	ROLLER	1		(154")
13	AH156992	SHEET	1		R.H. (SUB FOR AH132564)

BH71942 (COMPLETE GOODS) BPU 110"
 BH71943 (COMPLETE GOODS) BPU 132"

MEMORANDA

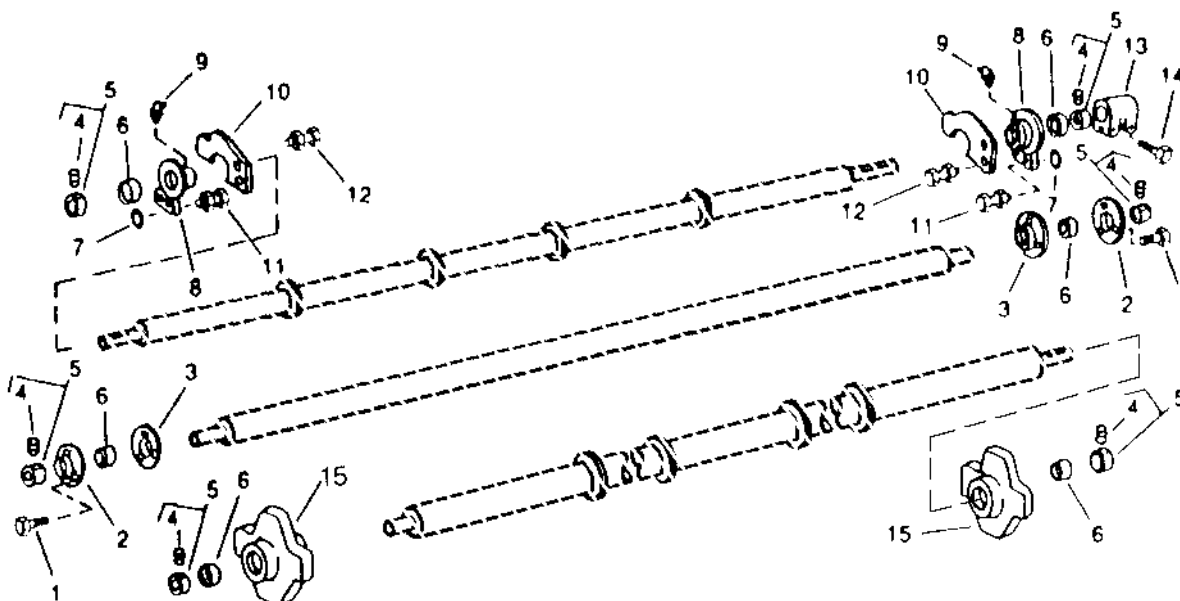
A20

ROLLERS AND SUPPORTS

SPROCKETS AND BEARINGS FOR DRIVE, CENTER, AND IDLER ROLLERS

(-655150)

HP8876 -UN-29JUL99



HP8876

KEY	PART NO.	PART NAME	QTY	SERIAL NO.	REMARKS
1	19H1936	CAP SCREW	6		3/8" X 3/4"
	12H304	LOCK WASHER	6		3/8"
2	AN50685	PRESSED FLANGED HOUSING	2		WITH GREASE FITTING
3	N52234	PRESSED FLANGED HOUSING	2		
4	22H897	SET SCREW	6		1/4" X 1/4"
5	JD8594	ECCENTRIC LOCKING COLLAR	6		
6	JD9397	BALL BEARING	6		
7	24H1219	WASHER	4		7/16" X 1" X 0.083" (110" AND 132")
	24H1341	WASHER	8		17/32" X 15/16" X 0.060", (154")
8	H101594	HOUSING	2		
9	JD7788	LUBRICATION FITTING	2		
10	H118364	CLIP	2		
11	09H1611	BOLT	4		7/16" X 1-3/4" (110" AND 132")
	14H813	NUT	8		7/16" (110" AND 132")
	H95783	SCREW	4	-675307	12.700 X 44.450 MM (1/2" X 1-3/4") (154")
	H168232	SCREW	4	675308-	(14")
	14H809	NUT	8		1/2", (154")
12	03H2020	BOLT	4		3/8" X 2"
	N10215	LOCK NUT	4		9.525 MM (3/8")
13	H101596	COUPLING	1		
14	19H1801	CAP SCREW	2	-635100	3/8" X 2"
	19H1765	CAP SCREW	2		3/8" X 1-3/4"
	12H304	LOCK WASHER	2		3/8"
15	H102699	HOUSING	2		

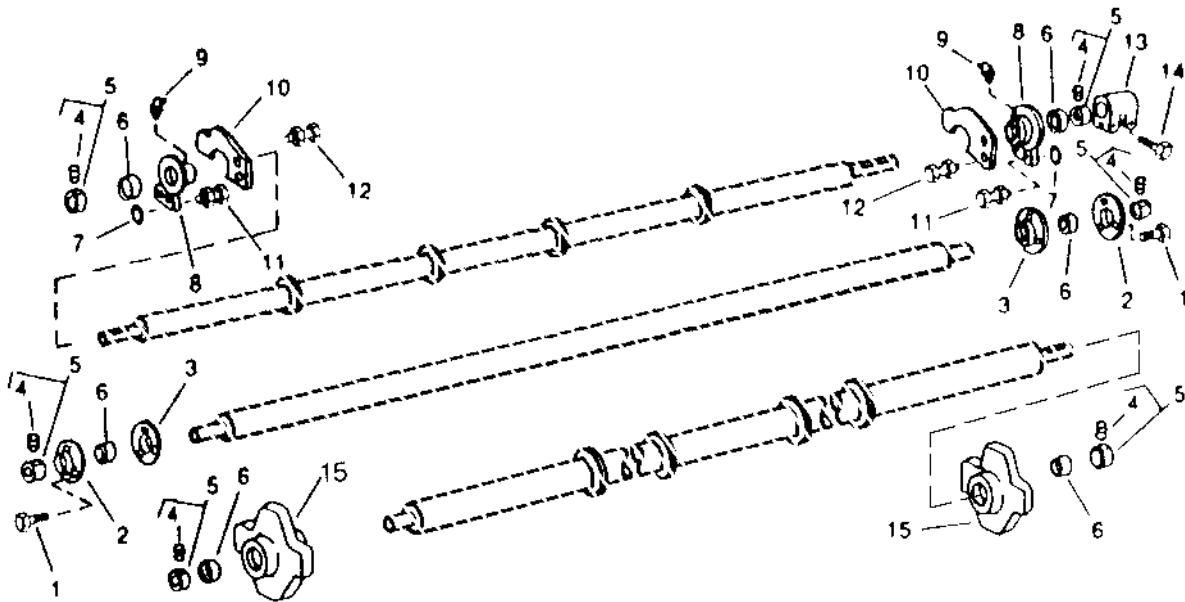
BH71942 (COMPLETE GOODS) BPU 110"
 BH71943 (COMPLETE GOODS) BPU 132"
 BH79870 (COMPLETE GOODS) BPU 14"

A21

ROLLERS AND SUPPORTS

SPROCKETS AND BEARINGS FOR DRIVE, CENTER, AND IDLER ROLLERS

(655151-)
 HP8876 -UN-29JUL99



HP8876

KEY	PART NO.	PART NAME	QTY	SERIAL NO.	REMARKS
1	19M7784	SCREW	6	M10 X 20	
	12H304	LOCK WASHER	6	3/8"	
2	H135410	PRESSED FLANGED HOUSING	2		WITH GREASE FITTING
3	AH129420	PRESSED FLANGED HOUSING	2		
4	22H897	SET SCREW	6	1/4" X 1/4"	
5	JD8594	ECCENTRIC LOCKING COLLAR	6		
6	JD9397	BALL BEARING	6		
	24H1219	WASHER	4	7/16" X 1" X 0.083" (110" AND 132")	
	24H1341	WASHER	8	17/32" X 15/16" X 0.060", (154")	
8	H101594	HOUSING	2		
9	JD7788	LUBRICATION FITTING	2		
10	H118364	CLIP	2		
11	09H1611	BOLT	4	7/16" X 1-3/4" (110" AND 132")	
	14H813	NUT	8	7/16" (110" AND 132")	
	H95783	SCREW	4	12.700 X 44.450 MM (1/2" X 1-3/4") (154")	
	14H809	NUT	8	1/2", (154")	
12	03M7196	BOLT	4	M10 X 50	
	14M7298	FLANGE NUT	4	M8	
13	H101596	COUPLING	1		
14	19H1765	CAP SCREW	2	3/8" X 1-3/4"	
	12H304	LOCK WASHER	2	3/8"	
15	H102699	HOUSING	2		

BH71942 (COMPLETE GOODS) BPU 110"

BH71943 (COMPLETE GOODS) BPU 132"

MEMORANDA

MEMORANDA

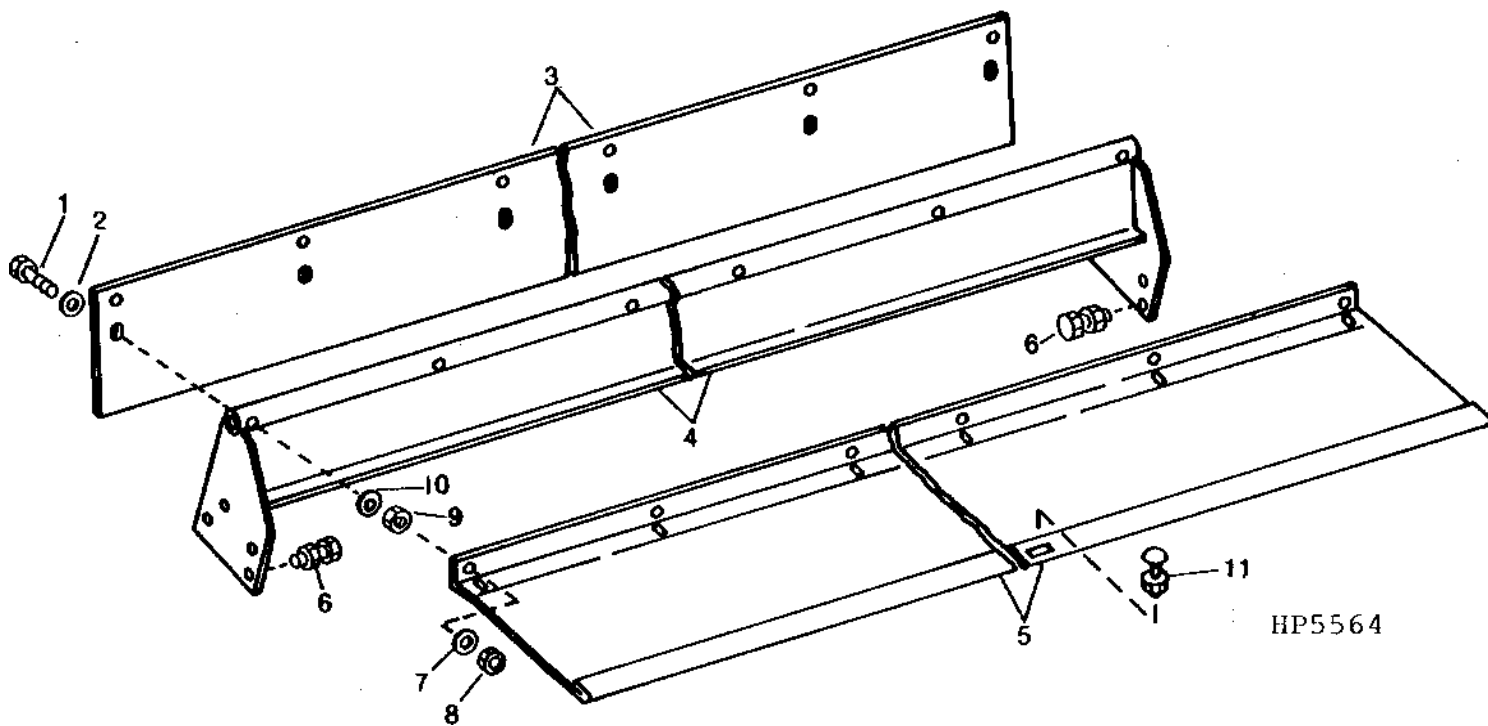
A23

FRAME, STRIPPERS AND PLATES

STRIPPER (110" AND 132" BELT PICKUP)

(-655150)

HP5564 -UN-01JAN94



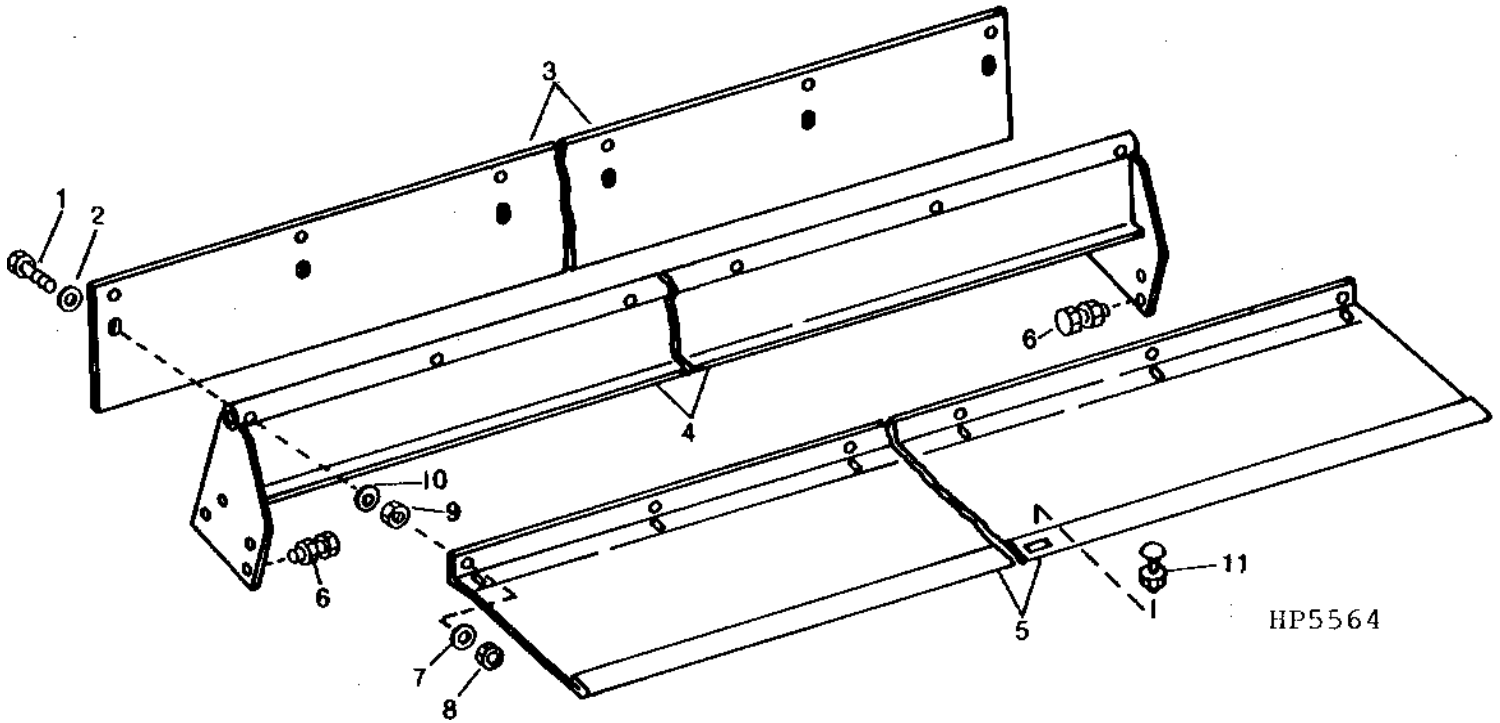
KEY	PART NO.	PART NAME	QTY	SERIAL NO.	REMARKS
1	19H2333	CAP SCREW	AR	1/4" X 2-1/4"	
2	24H1288	WASHER	AR	9/32" X 1" X 1/16"	
3	H85487	FLAP	2	(110")	
	H85488	FLAP	2	(132")	
4	AH108453	STRIPPER	1	(110")	
	AH108452	STRIPPER	1	(132")	
5	H109817	SUPPORT	2	-625900	(110") (SUB H137638)
	H137638	SUPPORT	2		(110")
	H109816	SUPPORT	2	-625900	(SUB H137639) (132")
	H137639	SUPPORT	2		(132")
6	19H1731	CAP SCREW	2	3/8" X 1"	
	N10215	LOCK NUT	2	9.525 MM (3/8")	
7	12H302	LOCK WASHER	AR	1/4"	
8	14H786	NUT	AR	1/4"	
9	H89476	NUT	AR	6.350 MM (1/4") (SUB M80082)	
	M80082	NUT	AR	6.350 MM (1/4")	
10	24H1287	WASHER	1	9/32" X 5/8" X 0.065"	
11	03H1540	BOLT	1	5/16" X 3/4"	
	N10213	LOCK NUT	1	5/16"	

BH78739 (COMPLETE GOODS) STRIPPER ASSY - 132" BPU

A24

STRIPPER (110" AND 132" BELT PICKUP)

(655151-)
 HP5564 -UN-01JAN94



KEY	PART NO.	PART NAME	QTY	SERIAL NO.	REMARKS
1	19M8040	SCREW	AR	M6 X 60	
2	24H1288	WASHER	AR	9/32" X 1" X 1/16"	
3	H85487	FLAP	2	(110")	
	H85488	FLAP	2	(132")	
4	AH108453	STRIPPER	1	(110")	
	AH108452	STRIPPER	1	(132")	
5	H137638	SUPPORT	2	(110")	
	H137639	SUPPORT	2	(132")	
6	19M7785	SCREW	2	M10 X 25	
	14M7296	FLANGE NUT	2	M10	
7	12H302	LOCK WASHER	AR	1/4"	
8	14M7397	LOCK NUT	AR	M6	
9	H89476	NUT	AR	6.350 MM (1/4")	
10	24H1287	WASHER	1	9/32" X 5/8" X 0.065"	
11	03M7184	BOLT	1	M8 X 20	
	14M7298	FLANGE NUT	1	M8	

BH78738 (COMPLETE GOODS) STRIPPER 110"
 BH71991 (COMPLETE GOODS) PU ATTACHMENT PARTS
 BH78739 (COMPLETE GOODS) STRIPPER ASSY - 132" BPU

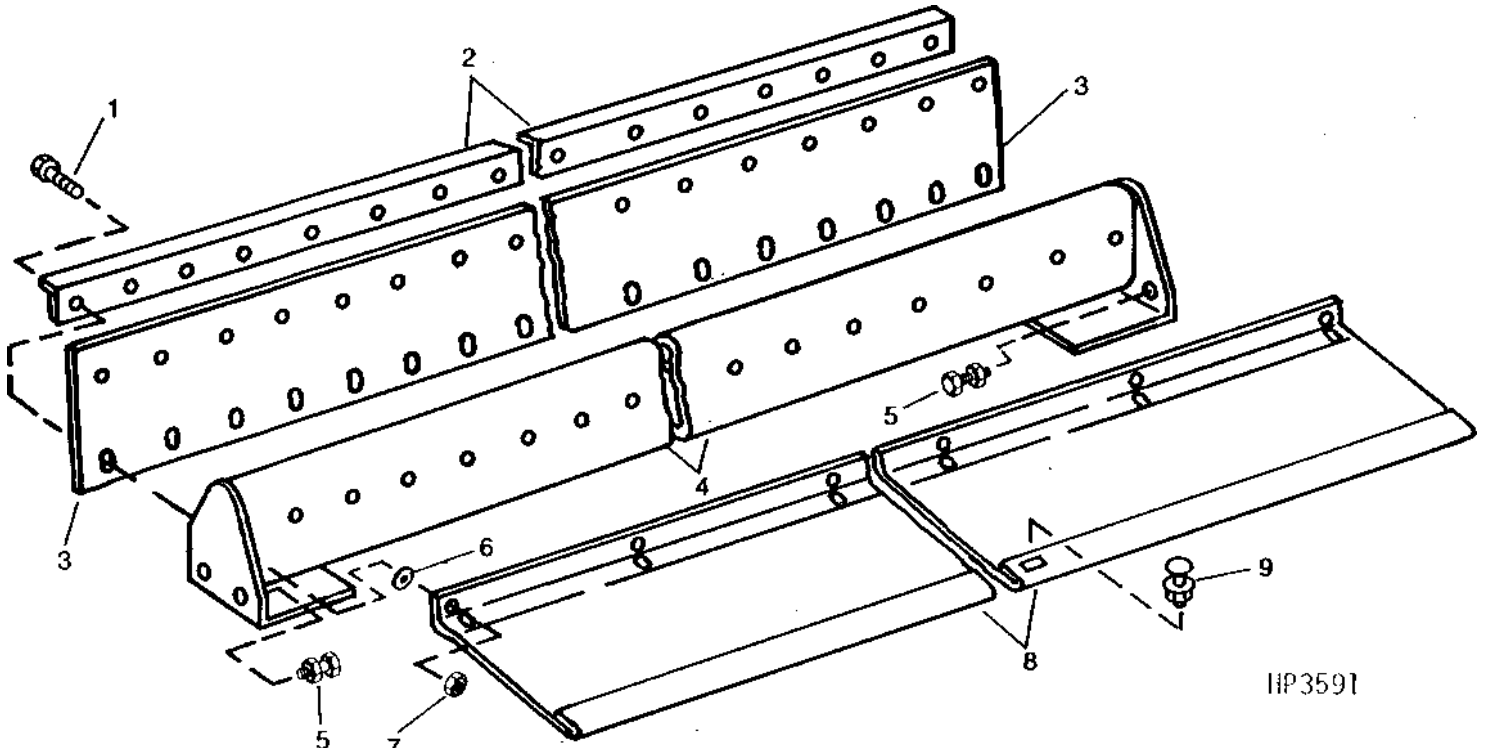
A25

FRAME, STRIPPERS AND PLATES

STRIPPER (154" BELT PICKUP)

(-655150)

HP3591 -UN-01JAN94



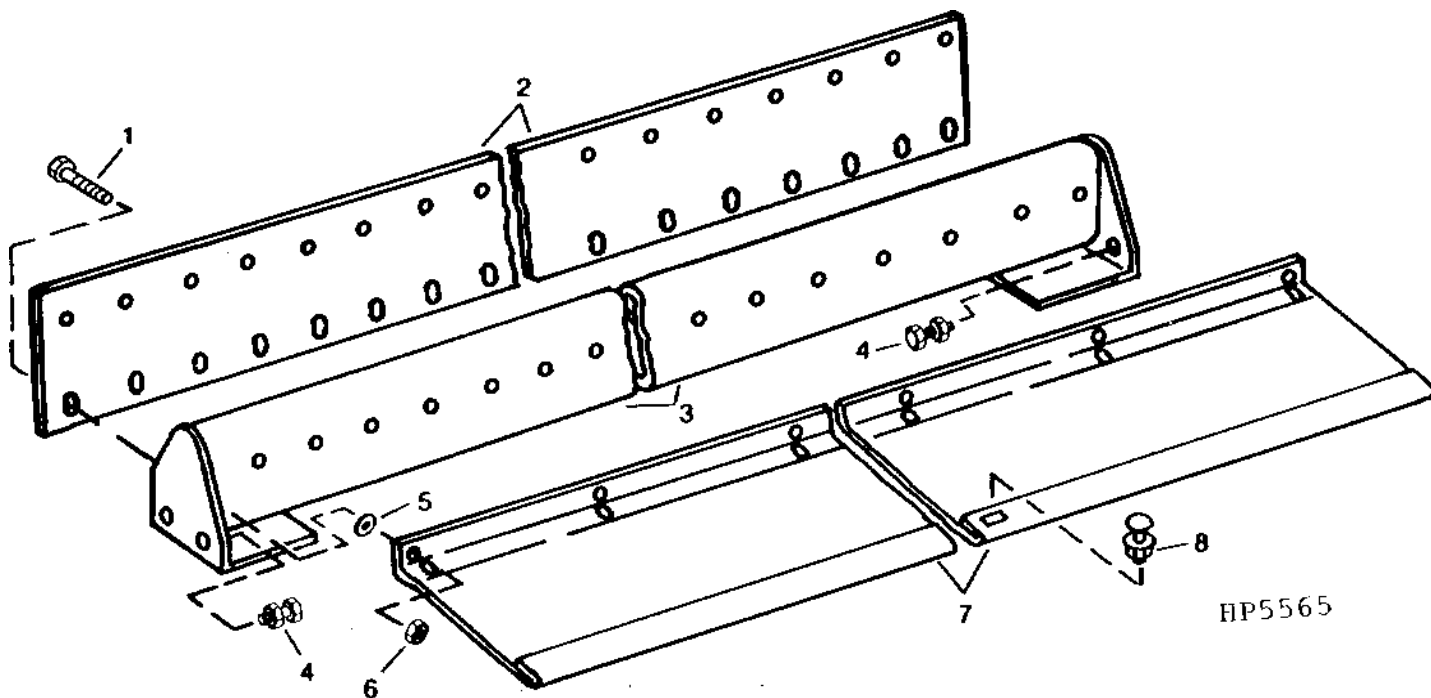
HP3591

KEY	PART NO.	PART NAME	QTY	SERIAL NO.	REMARKS
1	19H1849	CAP SCREW	15		5/16" X 1-1/4"
2	H99752	REINFORCEMENT	1	-640100	
3	H99751	FLAP	2		
4	AH103698	BAR	1	-640100	
	AH133679	BAR	1	640101-	
5	19H1731	CAP SCREW	2		3/8" X 1"
	N10215	LOCK NUT	2		9.525 MM (3/8")
6	M63904	NUT	15		7.925 MM (5/16")
7	T16464	LOCK NUT	15		7.925 MM (5/16")
8	H99753	SUPPORT	1	-625900	
	H137640	SUPPORT	1	-640100	
	H138953	SUPPORT	1	640101-	
9	03H1540	BOLT	2		5/16" X 3/4"
	N10213	LOCK NUT	2		5/16"

B1

STRIPPER (154" BELT PICKUP)

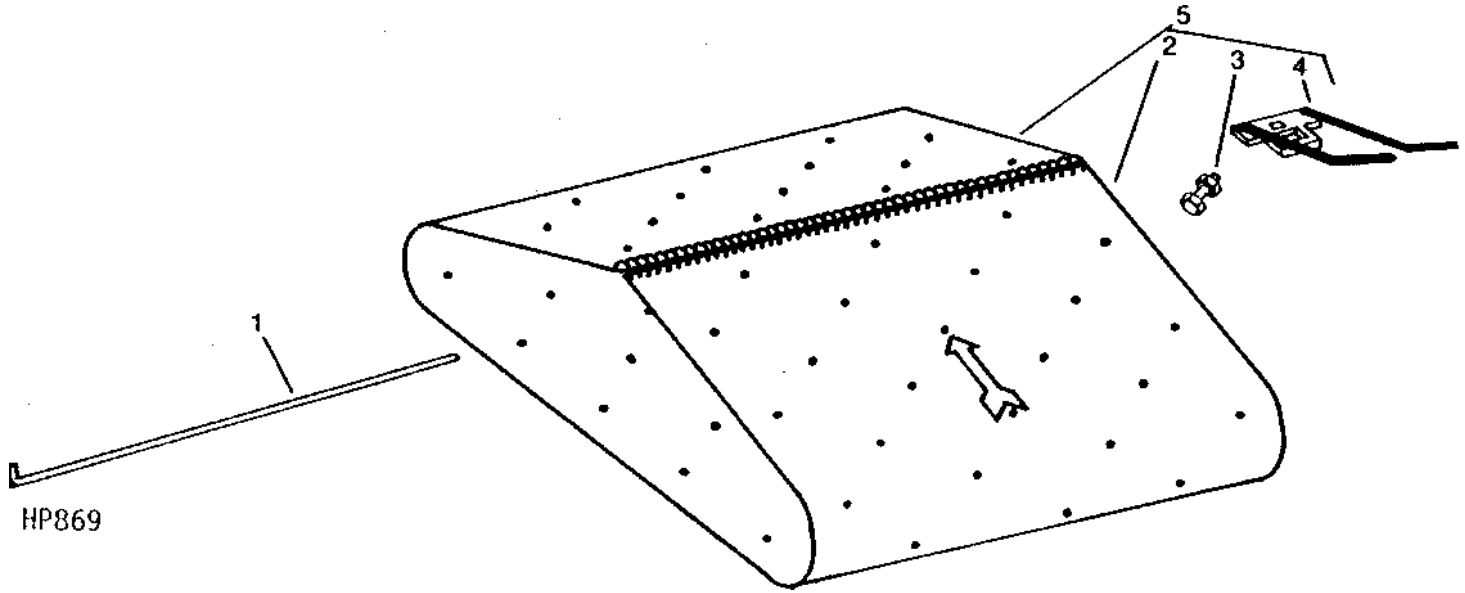
(655151-)
 HP5565 -UN-01JAN94



KEY	PART NO.	PART NAME	QTY	SERIAL NO.	REMARKS
1	19M7868	SCREW	15	-655261	M8 X 30
	19M8291	SCREW	15	655262-	M8 X 35
2	H162036	FLAP	2		(SUB FOR (2) H99751)
3	AH133679	BAR	1		
4	19M7785	SCREW	2		M10 X 25
	14M7296	FLANGE NUT	2		M10
5	M63904	NUT	15	-655261	7.925 MM (5/16")
	M84309	NUT	15	655262-	7.925 MM (5/16")
6	14M7396	LOCK NUT	15		M8
7	H138953	SUPPORT	1		
8	03M7184	BOLT	2		M8 X 20
	14M7298	FLANGE NUT	2		M8

MEMORANDA

BELTS AND PLASTIC FINGERS
HP869 -UN-01JAN94

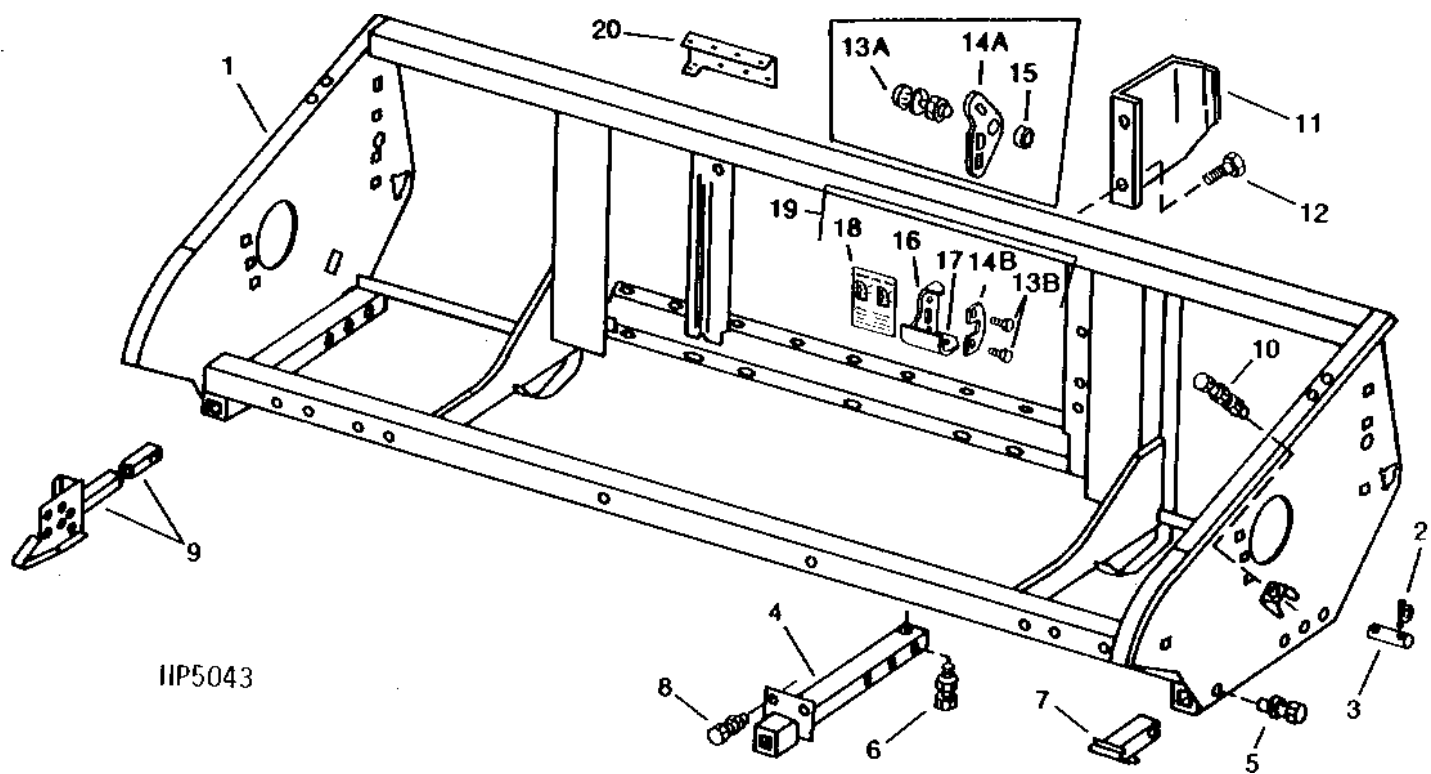


KEY	PART NO.	PART NAME	QTY	SERIAL NO.	REMARKS
1	P50195	PIN	AR	-665100	(110",-5 USED; 132"-6 USED; 154" - 7 USED)
	H154675	PIN	AR	665101-	(110" -5 USED; 132" -6 USED; 154" -7 USED)
2	AH147908	BELT	AR		(SUB FOR (AR) AH92200) (110",-5 USED; 132"-6 USED; 154"-7 USED)
3	AH86897	BOLT	AR		(110",-300 USED; 132",-360 USED; AND 154",-420 USED) (10 PER CARTON)
4	H86248	FINGER	AR		(110",-300 USED; 132"-360 USED; AND 154"-420 USED)
5	AH147909	BELT	AR		(SUB FOR (AR) AH93943) (110",-5 USED 132"- 6 USED; AND 154"-7 USED)(7 USED - UKRAINE PLATFORMS)

BH76527 (COMPLETE GOODS) BELT ASSEMBLY - PU PLASTIC FINGERS
 BH71942 (COMPLETE GOODS) BPU 110"
 BH71943 (COMPLETE GOODS) BPU 132"
 BH76528 (COMPLETE GOODS) BELT ASSEMBLY - PU PLASTIC FINGERS

B3

FRAME AND RUNNERS
(-655150)
HP5043 -UN-01JAN94



HP5043

B4

FRAME, STRIPPERS AND PLATES

FRAME AND RUNNERS - CONTINUED (-655150)

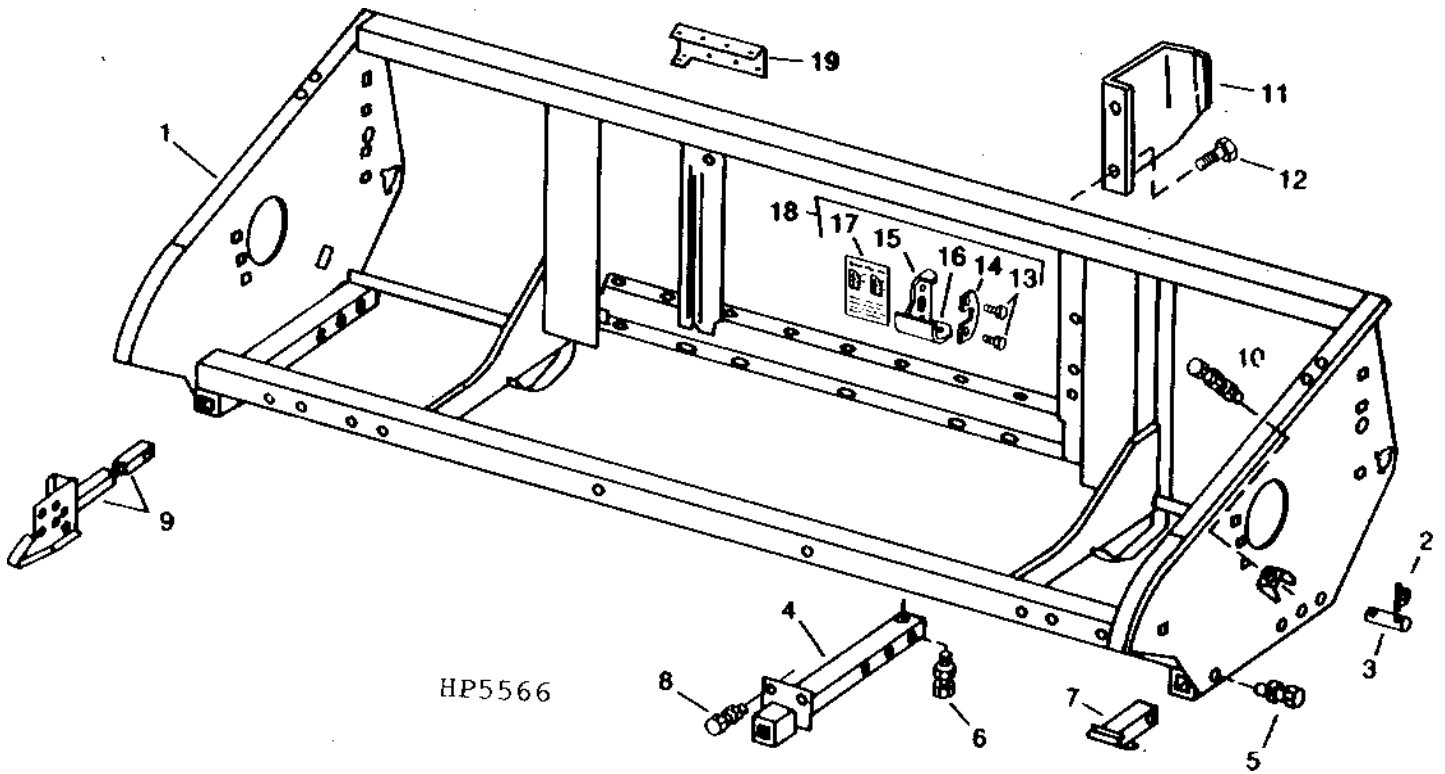
KEY	PART NO.	PART NAME	QTY	SERIAL NO.	REMARKS
1	AH121197	FRAME	1	-625900	(912) (SUB AH132259, H136751, H137643, (2) H137143 AND (4) 19M7784)
	AH132259	FRAME	1	-635100	(912) (SUB AH133912, AH129286, AH134121, H136062, M48770, A22698 AND (2) M72598)
	AH133912	FRAME	1	635101-640100	(912) (SUB AH136219)
	AH136219	FRAME	1	640101-	(912)
	AH121198	FRAME	1	-625900	(914) (SUB AH133914, AH129286, AH134121, H136062, M48770, A22698 AND (2) M72598)
	AH133914	FRAME	1	635101-640100	(914)
	AH136220	MAIN FRAME	1	640101-	(914)
2	AA21292	QUICK LOCK PIN	4		
3	H148930	PIN	2		
4	AH89376	TUBE	2		(110" AND 132") (SUB AH143603)
5	19H1868	CAP SCREW	2		1/2" X 3-3/4"
	E54809	LOCK NUT	2		12.700 MM (1/2") (110" AND 132")
6	19H1731	CAP SCREW	2		3/8" X 1"
	N10215	LOCK NUT	2		9.525 MM (3/8")
7	AH89382	RUNNER	1		(110" AND 132")
8	19H1854	CAP SCREW	4		3/8" X 3-3/4"
	N10215	LOCK NUT	1		9.525 MM (3/8")
9	AH113221	SUPPORT	1		R.H. (110" AND 132")
	AH111174	SUPPORT	1	-655309	R.H. (154")
	AH113222	SUPPORT	1		L.H. (110" AND 132")
	AH111175	SUPPORT	1	-655309	L.H. (154")
10	19H3214	CAP SCREW	2		5/8" X 3"
	14H821	NUT	4		5/8"
11	H112896	SHIELD	1		
12	H65108	SCREW	2		7.938 X 12.700 MM (5/16" X 1/2")
13A	03H1629	BOLT	6	-625900	5/8" X 2-1/4"
	12H294	LOCK WASHER	6	-625900	5/8"
	14H760	NUT	6	-625900	5/8"
13B	19M7784	SCREW	4		M10 X 20
14A	H133619	BRACKET	1	-625900	R.H.
	H133620	BRACKET	1	-625900	L.H.
14B	H137143	PLATE	1		
15	H124261	SPACER	6	-625900	16.280 X 31.750 X 16.500 MM (0.641" X 1-1/4" X 0.650")
16	REINFORCEMENT	1		
17	PLATE	1		
18	H136751	DECAL	1		(INSTALLED ON L.H. SIDE OF BACKSHEET ONLY)
19	AH132905	PIN	1		R.H. (LATCH PIN ASSY)
	AH132906	PIN	1		L.H. (LATCH PIN ASSY)
20	H134219	STRIPPER	1		L H
	H134218	STRIPPER	1		R H

BH79048 (COMPLETE GOODS) TUBE AND RUNNER ASSEMBLY
 BH71991 (COMPLETE GOODS) PU ATTACHMENT PARTS

B5

FRAME, STRIPPERS AND PLATES

FRAME AND RUNNERS
(655151-)
HP5566 -UN-01JAN94



HP5566

B6

FRAME, STRIPPERS AND PLATES

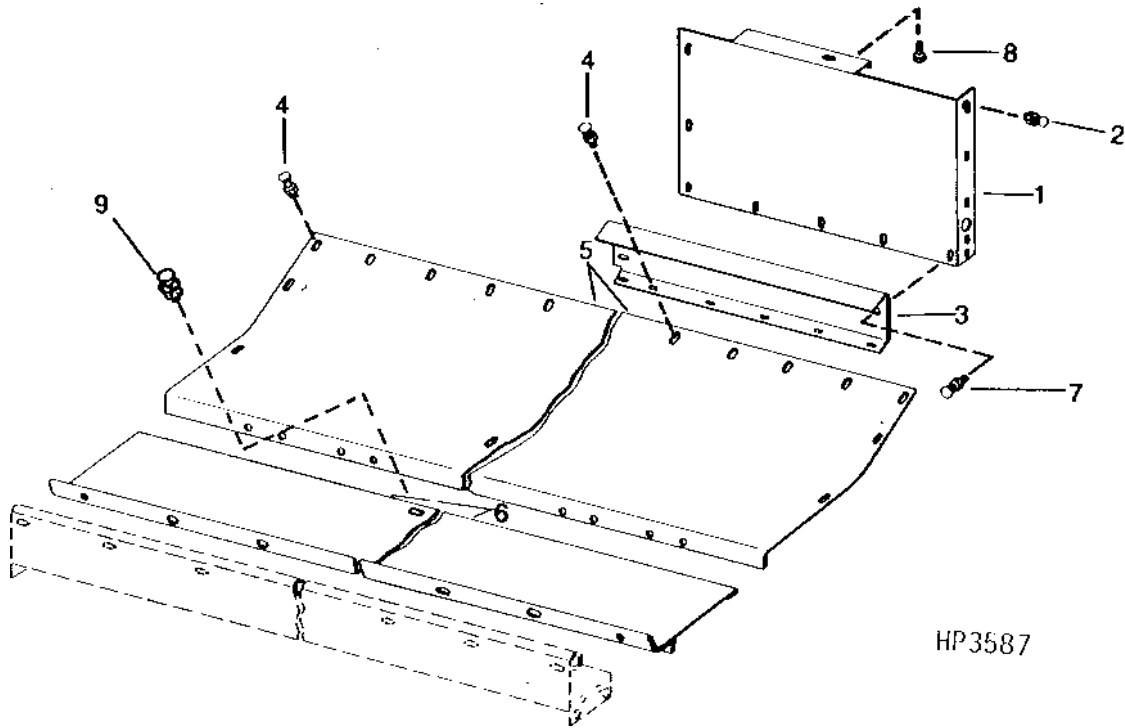
FRAME AND RUNNERS - CONTINUED (655151-)

KEY	PART NO.	PART NAME	QTY	SERIAL NO.	REMARKS
1	AH136219	FRAME	1	(912)	
	AH136220	MAIN FRAME	1	(914)	
2	AA21292	QUICK LOCK PIN	4		
3	H104306	PIN	2	-660317	25.400 X 172.212 MM (1" X 6.780") (SUB H148930)
	H148930	PIN	2		
4	AH143603	TUBE	2		(110" AND 132")
5	19M7820	SCREW	2		M12 X 100
	14M7299	FLANGE NUT	2		M12 (110" AND 132")
6	19M7786	SCREW	2		M10 X 30
	14M7276	NUT	2		M16
7	AH89382	RUNNER	1		(110" AND 132")
8	19M7812	SCREW	4		M10 X 100
	14M7296	FLANGE NUT	4		M10
9	AH113221	SUPPORT	1		R.H. (110" AND 132")
	AH111174	SUPPORT	1		R.H. (154")
	AH113222	SUPPORT	1		L.H. (110" AND 132")
	AH111175	SUPPORT	1		L.H. (154")
10	A50325	SCREW	2		M16 X 80
	14M7260	NUT	4		M16
11	H112896	SHIELD	1		
12	37M7083	SCREW	2		M8 X 12
13	19M7784	SCREW	4		M10 X 20
14	H137143	PLATE	1		
15	REINFORCEMENT	1		
16	PLATE	1		
17	H136751	DECAL	1		(INSTALLED ON L.H. SIDE OF BACKSHEET ONLY)
18	AH132905	PIN	1		R.H. (LATCH PIN ASSY)
	AH132906	PIN	1		L.H. (LATCH PIN ASSY)
19	H134219	STRIPPER	1		L H
	H134218	STRIPPER	1		R H

BH79048 (COMPLETE GOODS) TUBE AND RUNNER ASSEMBLY
 BH71991 (COMPLETE GOODS) PU ATTACHMENT PARTS

BACK SHEETS, BOTTOM SHEET, STRIPPER, AND GRAIN SLIDE

(-655150)
HP3587 -UN-01JAN94



HP3587

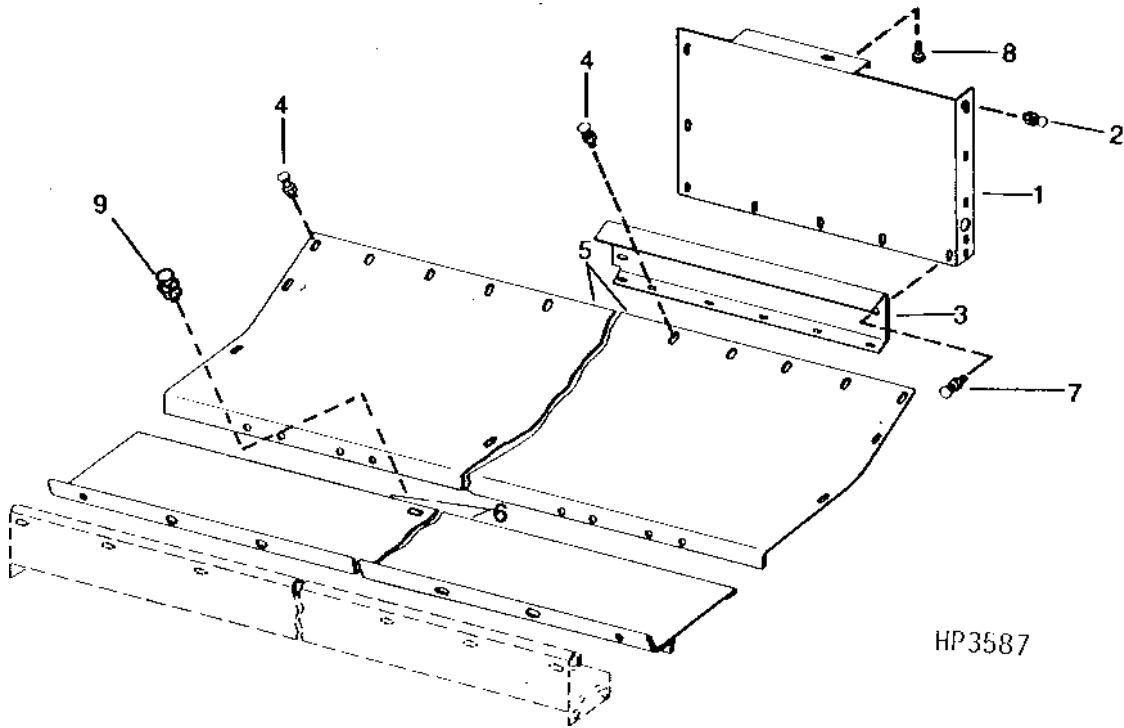
KEY	PART NO.	PART NAME	QTY	SERIAL NO.	REMARKS
1	H113687	SHEET	1	-640100	L.H. (912) (SUB H141789)
	H141789	SHEET	1		L.H. (912)
	H113689	SHEET	1	-640100	L.H. (914) (SUB H141787)
	H141787	SHEET	1		L.H. (914)
	H128778	SHEET	1	-625900	R.H. (912) (SUB H137643)
	H137643	SHEET	1	-640100	R.H. (912) (SUB H141788)
	H141788	SHEET	1	640101-	R.H. (912)
	H128779	SHEET	1	-625900	(SUB H137644) R.H. (912)
	H137644	SHEET	1	-640100	(SUB H141786) R.H. (912)
	H141786	SHEET	1		(SUB H147574) R.H. (914)
2	H147574	SHEET	1		R.H. (914)
	03H1540	BOLT	AR		5/16" X 3/4"
3	N10213	LOCK NUT	AR		7.925 MM (5/16")
	H92689	STRIPPER	1	-640100	R.H. (912)
4	H100391	STRIPPER	1	-640100	L.H. (912)
	H92690	STRIPPER	1		R.H. (914)
	H92692	STRIPPER	1		L.H. (914)
5	03H1765	BOLT	AR		3/8" X 3/4"
	N10215	LOCK NUT	AR		9.525 MM (3/8")
	H128815	SHEET	1	-625900	(912) (SUB H137641)
	H137641	SHEET	1	-640100	(912) (SUB H142063)
	H142063	SHEET	1	640101-	(SUB H149470) (912)
	H149470	SHEET	1		(912)
	H128816	SHEET	1	-625900	(914)
	H137642	SHEET	1	-640100	(914)
	H142064	SHEET	1	-655150	(SUB H149471) (914)
	H149471	SHEET	1		(914)
6	H109817	SUPPORT	1	-625900	(110") (SUB H137638)
	H137638	SUPPORT	1		(110")
	H109816	SUPPORT	1	-625900	(SUB H137639) (132")
	H137639	SUPPORT	1		(132")
7	03H1500	BOLT	4		3/8" X 1"
	N10215	LOCK NUT	4		9.525 MM (3/8")
8	H76139	SCREW	2		7.938 X 19.050 MM (5/16" X 3/4")
	03H1540	BOLT	1		5/16" X 3/4"
9	N10213	LOCK NUT	1		5/16"

BH78739 (COMPLETE GOODS) STRIPPER ASSY - 132" BPU

B8

BACK SHEETS, BOTTOM SHEET, STRIPPER, AND GRAIN SLIDE

(655151-)
 HP3587 -UN-01JAN94



HP3587

KEY	PART NO.	PART NAME	QTY	SERIAL NO.	REMARKS
1	H141787	SHEET	1		L.H. (914)
	H147574	SHEET	1		R.H. (914)
2	03M7184	BOLT	AR		M8 X 20
	14M7298	FLANGE NUT	AR		M8
3	H92690	STRIPPER	1		R.H. (914)
	H92692	STRIPPER	1		L.H. (914)
4	03M7190	BOLT	AR		M10 X 20
	14M7296	FLANGE NUT	AR		M10
5	H149471	SHEET	1		(914)
6	H137638	SUPPORT	1		(110")
	H137639	SUPPORT	1		(132")
7	03M7184	BOLT	AR		M8 X 20
	14M7298	FLANGE NUT	AR		M8
8	37M7058	SCREW	2	-655942	M8 X 20
	37H57	SCREW	2	655943-	7.925 X 19.050 MM (5/16" X 3/4")
9	03M7185	BOLT	1		M8 X 25
	14M7298	FLANGE NUT	1		M8

BH78739 (COMPLETE GOODS) STRIPPER ASSY - 132" BPU

MEMORANDA

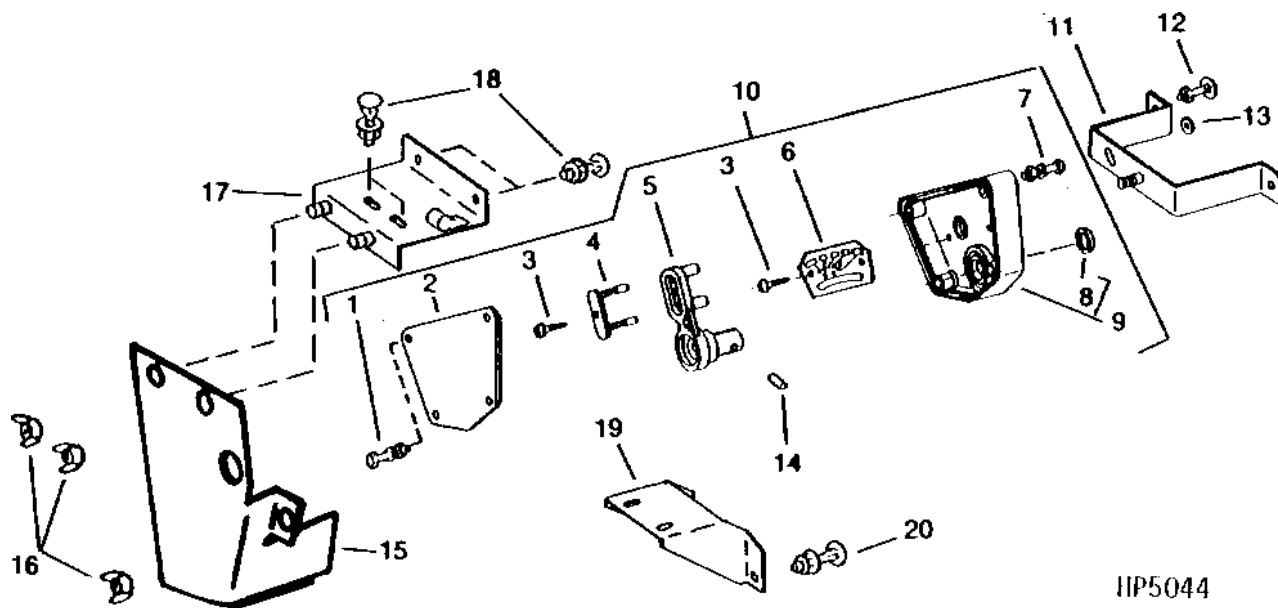
B11

HEADER HEIGHT CONTROL

SENSING BOX AND MOUNTING, DIAL-A-MATIC HEADER HEIGHT CONTROL

(-655150)

HP5044 -UN-01JAN94



HP5044

KEY	PART NO.	PART NAME	QTY	SERIAL NO.	REMARKS
1	19H2333	CAP SCREW	1		1/4" X 2-1/4"
	12H302	LOCK WASHER	1		1/4"
	14H786	NUT	1		1/4"
2	H108958	COVER	1		
3	37H6	SCREW	1		
4	AH103276	BRUSH	1		
5	H108959	ARM	1		
6	AH111184	PRINTED CIRCUIT	1		
7	03H1813	BOLT	3		1/4" X 1-3/4"
	12H302	LOCK WASHER	3		1/4"
	14H786	NUT	3		1/4"
8	AA5607R	SEAL	1		
9	AH110870	HOUSING	1		
10	AH114023	CIRCUIT BOX	1		
11	AH111165	BRACKET	1		
12	03H1540	BOLT	1		5/16" X 3/4"
	N10213	LOCK NUT	1		7.925 MM (5/16")
13	24H1287	WASHER	1		9/32" X 5/8" X 0.065"
14	34H312	SPRING PIN	1		1/4" X 1"
15	H113773	SHIELD	1		R.H.
16	14H819	WING NUT	3		5/16"
17	AH135791	SHIELD	1		(SUB AH143755 AND (3) 14M7020)
18	21H1024	SCREW	4		1/4" X 5/8"
	N10217	LOCK NUT	4		1/4"
19	H76321	BRACKET	1		
20	03H1268	BOLT	2		5/16" X 3/4"
	N10213	LOCK NUT	2		5/16"
..	H116160	SEALANT	1		3 OZ. TUBE

- BH71848 (COMPLETE GOODS) 110" W/AHHC
- BH71849 (COMPLETE GOODS) 132" W/AHHC AND ARSC
- BH71850 (COMPLETE GOODS) 154" W/AHHC AND ARSC
- BH71988 (COMPLETE GOODS) 110" W/AHHC AND ARSC
- BH71989 (COMPLETE GOODS) 132" W/AHHC AND ARSC
- BH71990 (COMPLETE GOODS) 154" W/AHHC AND ARSC

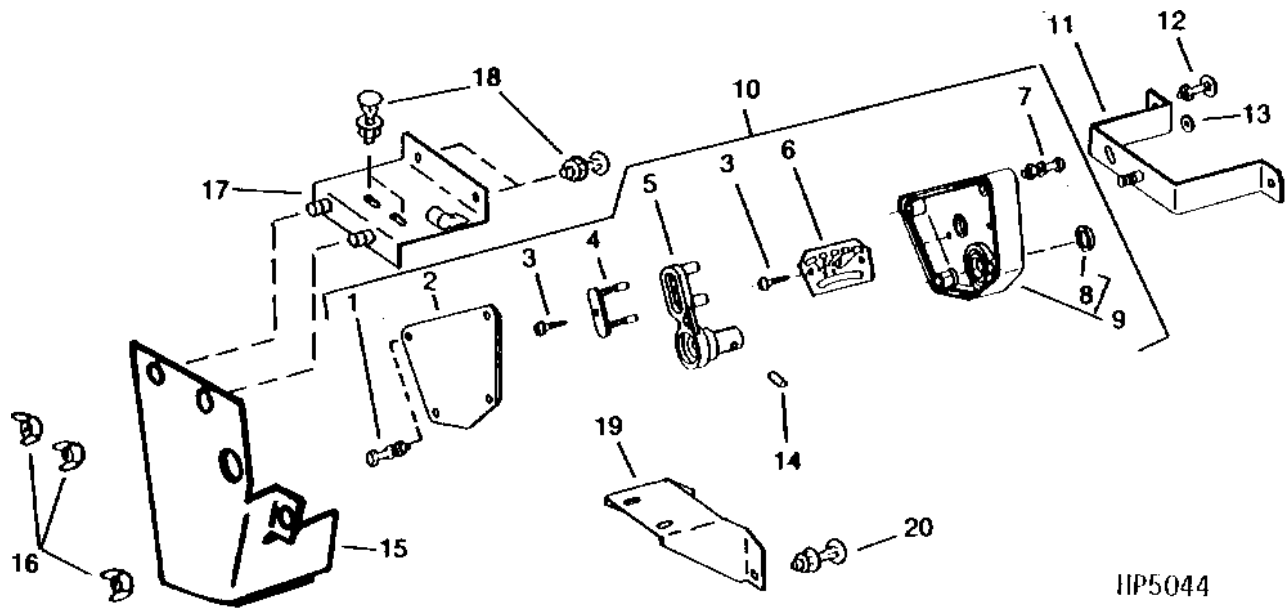
B12

HEADER HEIGHT CONTROL

SENSING BOX AND MOUNTING, DIAL-A-MATIC HEADER HEIGHT CONTROL

(655151-685150)

HP5044 -UN-01JAN94



HP5044

KEY	PART NO.	PART NAME	QTY	SERIAL NO.	REMARKS
1	19M8040	SCREW	1	-655333	M6 X 60
	03M7280	BOLT	1	655334-	M6 X 45
	12H302	LOCK WASHER	1		6.350 MM
	14M7303	FLANGE NUT	1		M6
2	COVER	1		
3	37H6	SCREW	1		
4	AH103276	BRUSH	1		
5	ARM	1		
6	AH111184	PRINTED CIRCUIT	1		
7	03M7280	BOLT	3		M6 X 45
	14M7303	FLANGE NUT	3		M6
8	AA5607R	SEAL	1		
9	HOUSING	1		(INCLUDES H108957)
	H108957	HOUSING	1		
10	AH143851	CIRCUIT BOX	1		
11	AH111165	BRACKET	1	-655314	(SUB AH145770)
	AH145770	BRACKET	1		
12	03M7184	BOLT	1		M8 X 20
	14M7298	FLANGE NUT	1		M8
13	24H1287	WASHER	1		9/32" X 5/8" X 0.065"
14	34H312	SPRING PIN	1		1/4" X 1"
15	H113773	SHIELD	1		R.H.
16	14M7020	WING NUT	3		M8
17	AH143755	SHIELD	1		
18	19M7775	SCREW	4	-655333	M6 X 16
	14M7397	LOCK NUT	4	-655333	M6
	03M7221	BOLT	4	655334-	M6 X 16
	14M7303	FLANGE NUT	4	655334-	M6
19	H76321	BRACKET	1		
20	03M7184	BOLT	2		M8 X 20
	14M7298	FLANGE NUT	2		M8
..	H116160	SEALANT	1		3 OZ. TUBE

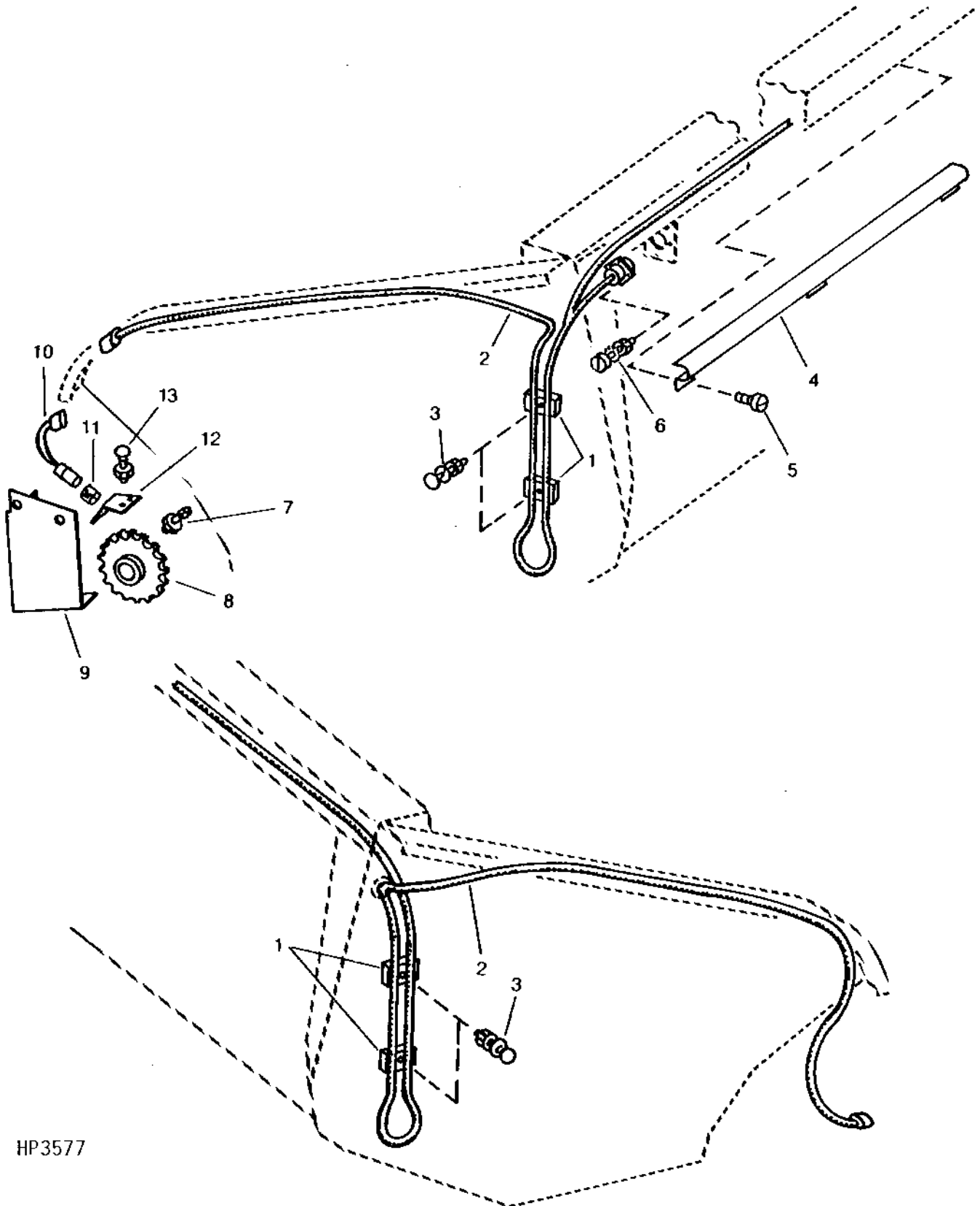
MEMORANDA

B13

HEADER HEIGHT CONTROL

WIRING HARNESS, DIAL-A-MATIC HEADER HEIGHT CONTROL
AND DIAL-A-SPEED CONTROL (OPTIONAL)

(-655150)
HP3577 -UN-01JAN94



HP3577

B14

HEADER HEIGHT CONTROL

**WIRING HARNESS, DIAL-A-MATIC HEADER HEIGHT CONTROL
AND DIAL-A-SPEED CONTROL (OPTIONAL) - CONTINUED
(-655150)**

KEY	PART NO.	PART NAME	QTY	SERIAL NO.	REMARKS
1	H120847	CLAMP	4		
2	AH125007	WIRING HARNESS	1	-640100	
	AH134227	WIRING HARNESS	1	640101-	(SUB AH146033)
3	03H1937	BOLT	4		5/16" X 1-1/4"
	24H1685	WASHER	4		11/32" X 47/64" X 0.083"
	N10213	LOCK NUT	4		7.925 MM (5/16")
4	H132700	SHIELD	1		
5	H65108	SCREW	3		7.938 X 12.700 MM (5/16" X 1/2")
6	21M7284	SCREW	2		M3 X 16
	12H353	LOCK WASHER	2		0.138"
	14M7196	NUT	2		M3
7	22H818	SET SCREW	1		5/16" X 3/4"
	14H611	NUT	1		5/16"
	26H40	SHAFT KEY	1		1/4" X 2-1/8"
8	AH92436	CHAIN SPROCKET	1	-640100	
	H141220	CHAIN SPROCKET	1	640101-	
9	H129215	SHIELD	1	-640100	(USE EXISTING HARDWARE)
	H141331	SHIELD	1	640101-	
10	AH116104	SENSOR	1		
11	H121110	CLIP	1		
12	H129216	BRACKET	1		
13	03H1540	BOLT	2		5/16" X 3/4"
	N10213	LOCK NUT	2		7.925 MM (5/16")

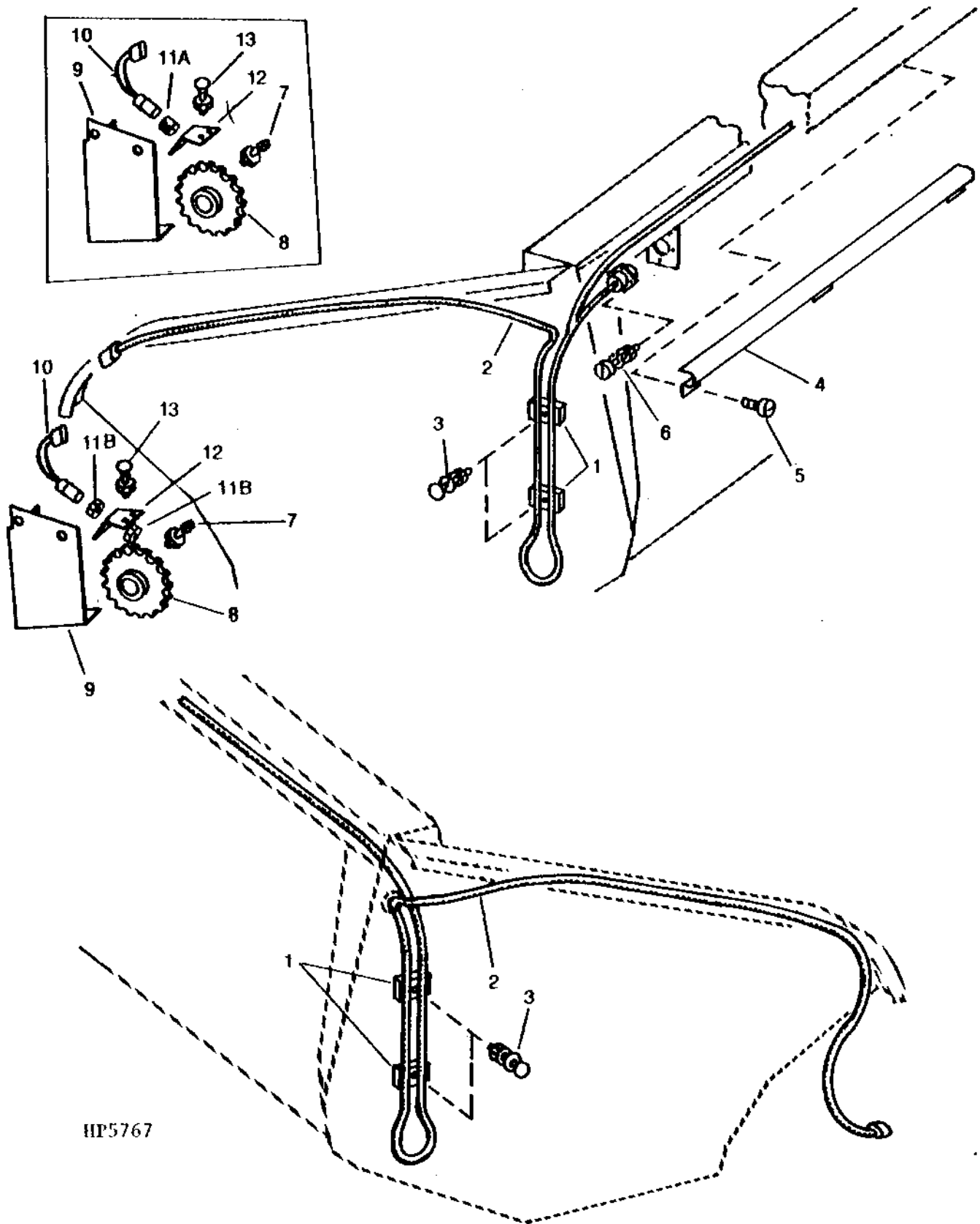
BH81421 (COMPLETE GOODS) AUTO REEL SPEED
BH71988 (COMPLETE GOODS) 110" W/AHHC AND ARSC
BH71989 (COMPLETE GOODS) 132" W/AHHC AND ARSC
BH71990 (COMPLETE GOODS) 154" W/AHHC AND ARSC

B15

HEADER HEIGHT CONTROL

WIRING HARNESS, DIAL-A-MATIC HEADER HEIGHT CONTROL
AND DIAL-A-SPEED CONTROL (OPTIONAL)

(655151-)
HP5767 -UN-01JAN94



HP5767

B16

HEADER HEIGHT CONTROL

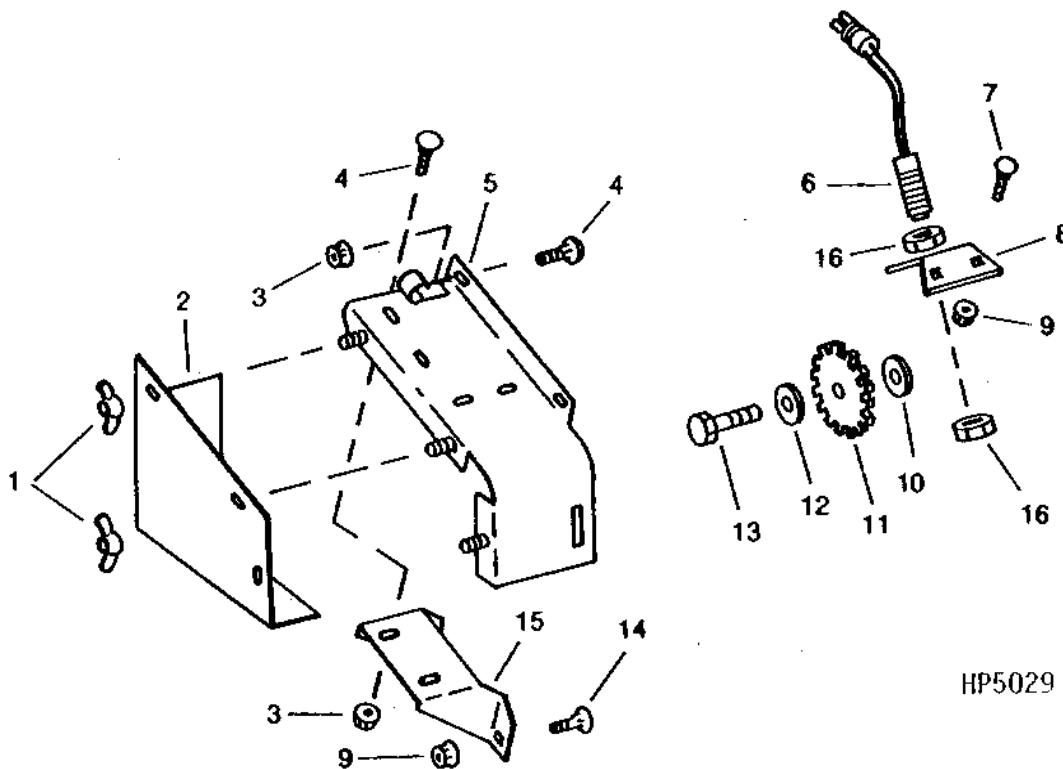
**WIRING HARNESS, DIAL-A-MATIC HEADER HEIGHT CONTROL
AND DIAL-A-SPEED CONTROL (OPTIONAL) - CONTINUED
(655151-)**

KEY	PART NO.	PART NAME	QTY	SERIAL NO.	REMARKS
1	H120847	CLAMP	4		
2	AH134227	WIRING HARNESS	1	-660151	(SUB AH146033)
	AH146033	WIRING HARNESS	1	-660275	(SUB AH146565)
	AH146565	WIRING HARNESS	1	-680100	(SUB AH158098)
	AH158098	WIRING HARNESS	1	-685100	
3	03M7186	BOLT	4	-655315	M8 X 30
	03M7294	BOLT	4	655316-	M6 X 40
	24H1685	WASHER	4		8.738 X 18.644 X 2.108 MM
	14M7303	FLANGE NUT	4		M6
4	H132700	SHIELD	1		
5	37M7083	SCREW	3	-655315	M8 X 12
	37M7066	SCREW	2	655316-	
6	21M7284	SCREW	2		M3 X 16
	12H353	LOCK WASHER	2		0.138"
	14M7196	NUT	2		M3
7	22H818	SET SCREW	1		5/16" X 3/4"
	14H611	NUT	1		5/16"
	26H40	SHAFT KEY	1		1/4" X 2-1/8"
8	H141220	CHAIN SPROCKET	1		
9	H141331	SHIELD	1		
10	AH116104	SENSOR	1		
11A	H121110	CLIP	1	-655315	
11B	H104418	NUT	2	655316-	19.050 MM (3/4")
12	H129216	BRACKET	1		
13	03M7184	BOLT	2		M8 X 20
	14M7396	LOCK NUT	2		M8

BH81421 (COMPLETE GOODS) AUTO REEL SPEED(685101-)
BH71988 (COMPLETE GOODS) 110" W/AHHC AND ARSC
BH71989 (COMPLETE GOODS) 132" W/AHHC AND ARSC
BH71990 (COMPLETE GOODS) 154" W/AHHC AND ARSC

B17

AUTO BELT SPEED
(-655150)
HP5029 -UN-01JAN94



HP5029

B18

AUTO BELT SPEED - CONTINUED

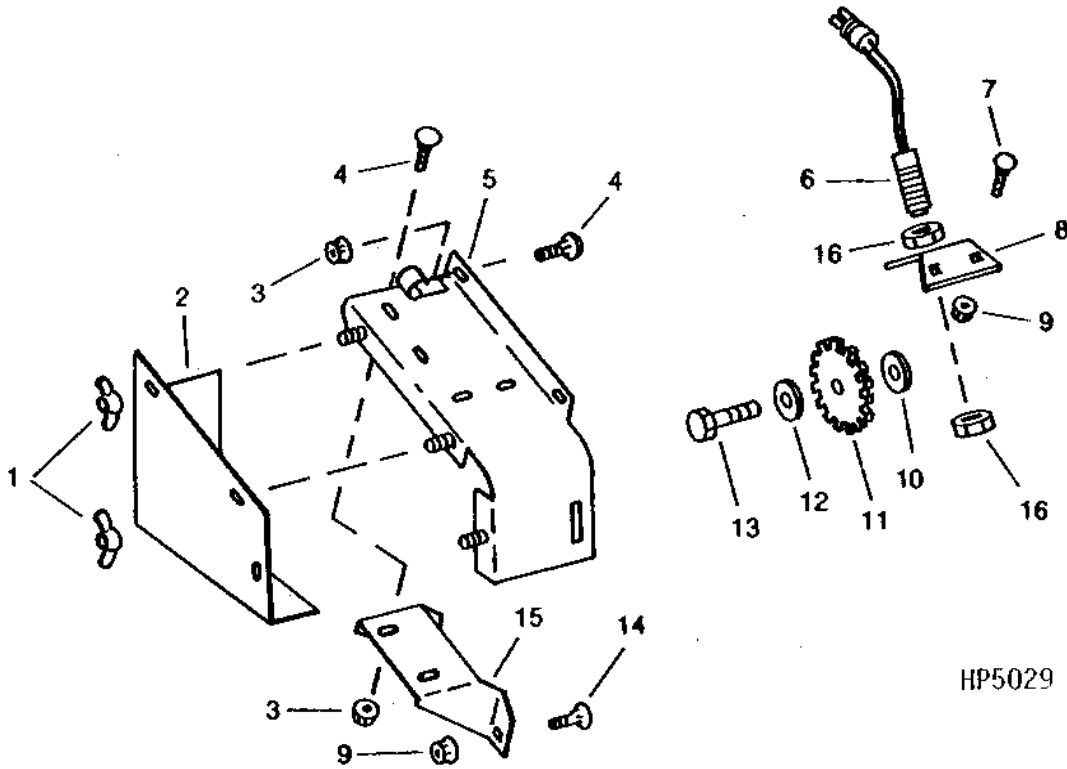
(-655150)

KEY	PART NO.	PART NAME	QTY	SERIAL NO.	REMARKS
1	14H819	WING NUT	3		5/16"
2	H141331	SHIELD	1		
3	N10217	LOCK NUT	6		6.350 MM (1/4")
4	21H1024	SCREW	2		1/4" X 5/8"
5	AH135792	SHIELD	1		(SUB AH143756 AND (3) 14M7020)
6	AH116104	SENSOR	1		
7	03H1540	BOLT	2		5/16" X 3/4"
8	H129216	BRACKET	1		
9	N10213	LOCK NUT	4		7.925 MM (5/16")
10	GY2125W	WASHER	1		19.456 X 35.052 X 7.925 MM (49/64" X 1.380" X 5/16")
11	H141220	CHAIN SPROCKET	1		
12	12H236	LOCK WASHER	1		3/4"
13	19H1768	CAP SCREW	1		3/4" X 2"
14	03H1268	BOLT	2		5/16" X 3/4"
15	H76321	BRACKET	1		
16	H104418	NUT	1		19.050 MM (3/4")

BH81421 (COMPLETE GOODS) AUTO REEL SPEED
BH71988 (COMPLETE GOODS) 110" W/AHHC AND ARSC
BH71989 (COMPLETE GOODS) 132" W/AHHC AND ARSC
BH71990 (COMPLETE GOODS) 154" W/AHHC AND ARSC

B19

AUTO BELT SPEED
(655151-)
HP5029 -UN-01JAN94



HP5029

B20

HEADER HEIGHT CONTROL

AUTO BELT SPEED - CONTINUED
(655151-)

KEY	PART NO.	PART NAME	QTY	SERIAL NO.	REMARKS
1	14M7020	WING NUT	4		M8
2	H141331	SHIELD	1		
3	14M7397	LOCK NUT	6	-655150	M6
	14M7303	FLANGE NUT	2	655151-	M6
4	19M7775	SCREW	2	-655150	M6 X 16
	03M7221	BOLT	2	655151-	M6 X 16
5	AH143756	SHIELD	1		
6	AH116104	SENSOR	1		
7	03M7184	BOLT	2		M8 X 20
8	H129216	BRACKET	1		
9	14M7298	FLANGE NUT	4		M8
10	GY2125W	WASHER	1		19.456 X 35.052 X 7.925 MM (49/64" X 1.380" X 5/16")
11	H141220	CHAIN SPROCKET	1		23 TOOTH
12	12H236	LOCK WASHER	1		3/4"
13	19M7597	CAP SCREW	1	-655150	M20 X 50
	19H1871	CAP SCREW	1	655151-	19.050 X 31.750 MM (3/4" X 1-1/4")
14	03M7184	BOLT	2		M8 X 20
15	H76321	BRACKET	1		
16	H104418	NUT	1		

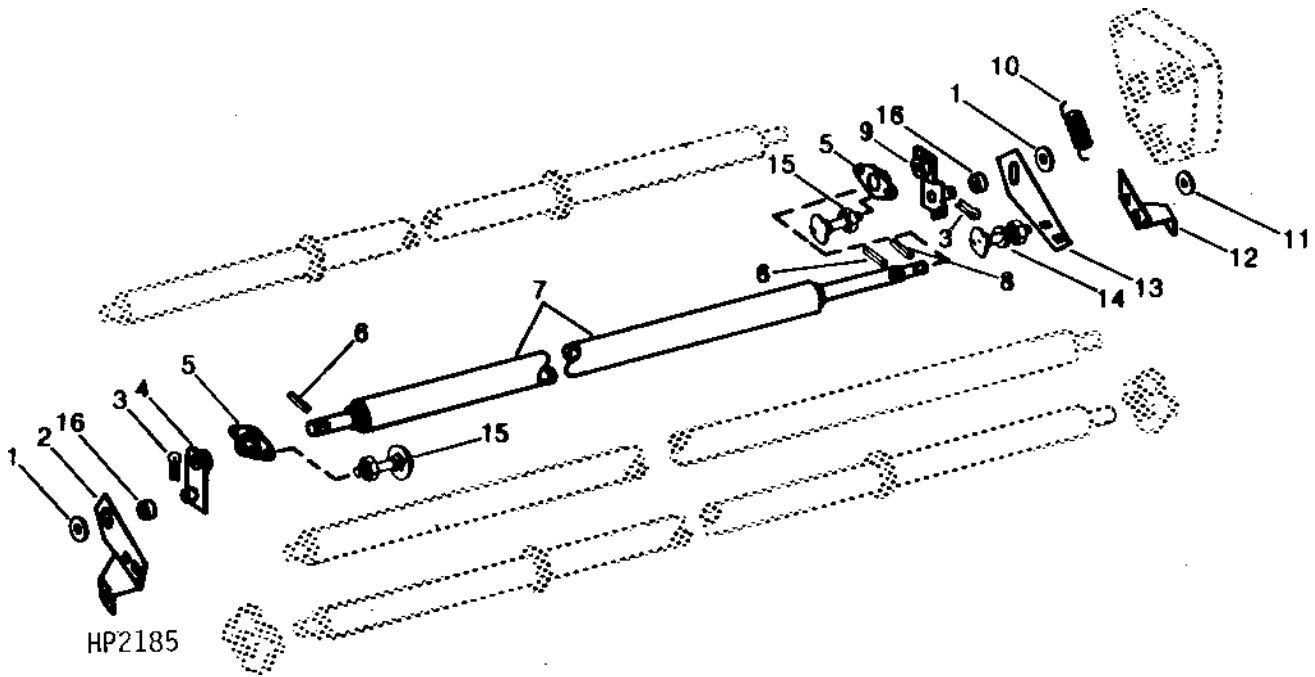
BH81421 (COMPLETE GOODS) AUTO REEL SPEED
BH71988 (COMPLETE GOODS) 110" W/AHHC AND ARSC
BH71989 (COMPLETE GOODS) 132" W/AHHC AND ARSC
BH71990 (COMPLETE GOODS) 154" W/AHHC AND ARSC

B21

HEADER HEIGHT CONTROL

**DIAL-A-MATIC HEADER HEIGHT CONTROL SHAFT, BEARINGS AND BRACKETS
(OPTIONAL)**

(-655150)
HP2185 -UN-01JAN94



KEY	PART NO.	PART NAME	QTY	SERIAL NO.	REMARKS
1	24H1214	WASHER	2		13/32" X 1-1/8" X 0.065"
2	AH114995	ARM	1		L.H.
3	J16931	SPRING LOCKING PIN	2		
4	AH111383	ARM	1		L.H.
5	AH111177	BEARING	2		
	AH129236	BEARING	2		
6	34H314	SPRING PIN	2		1/4" X 1-1/4"
7	AH113220	SHAFT	1		(110")
	AH113219	SHAFT	1		(132")
	AH111162	SHAFT	1		(154")
8	34H312	SPRING PIN	1		1/4" X 1"
9	AH111382	ARM	1		
10	R2577R	SPRING	1	-625900	(SUB H135672)
	H135672	EXTENSION SPRING	1		
11	24H1305	WASHER	1		13/32" X 13/16" X 0.065"
12	H118361	ARM	1		R.H.
13	H118363	ARM	1		R.H.
14	03H1500	BOLT	2		3/8" X 1"
	12H304	LOCK WASHER	2		3/8"
	14H812	NUT	2		3/8"
15	03H1540	BOLT	4		5/16" X 3/4"
	N10213	LOCK NUT	4		7.925 MM (5/16")
16	N100859	WASHER	2		10.312 X 19.050 X 6.350 MM (13/32" X 3/4" X 1/4")

BH78321 (COMPLETE GOODS) 110" BPU W/AHHC SHAFT AND SHIELD ASSEMBLY

BH78322 (COMPLETE GOODS) 132" BPU W/AHHC SHAFT AND SHIELD ASSEMBLY

BH78323 (COMPLETE GOODS) 154" BPU W/AHHC

BH71848 (COMPLETE GOODS) 110" BPU W/AHHC AND ARSC

BH71849 (COMPLETE GOODS) 132" BPU W/AHHC AND ARSC

BH71850 (COMPLETE GOODS) 154" BPU W/AHHC AND ARSC

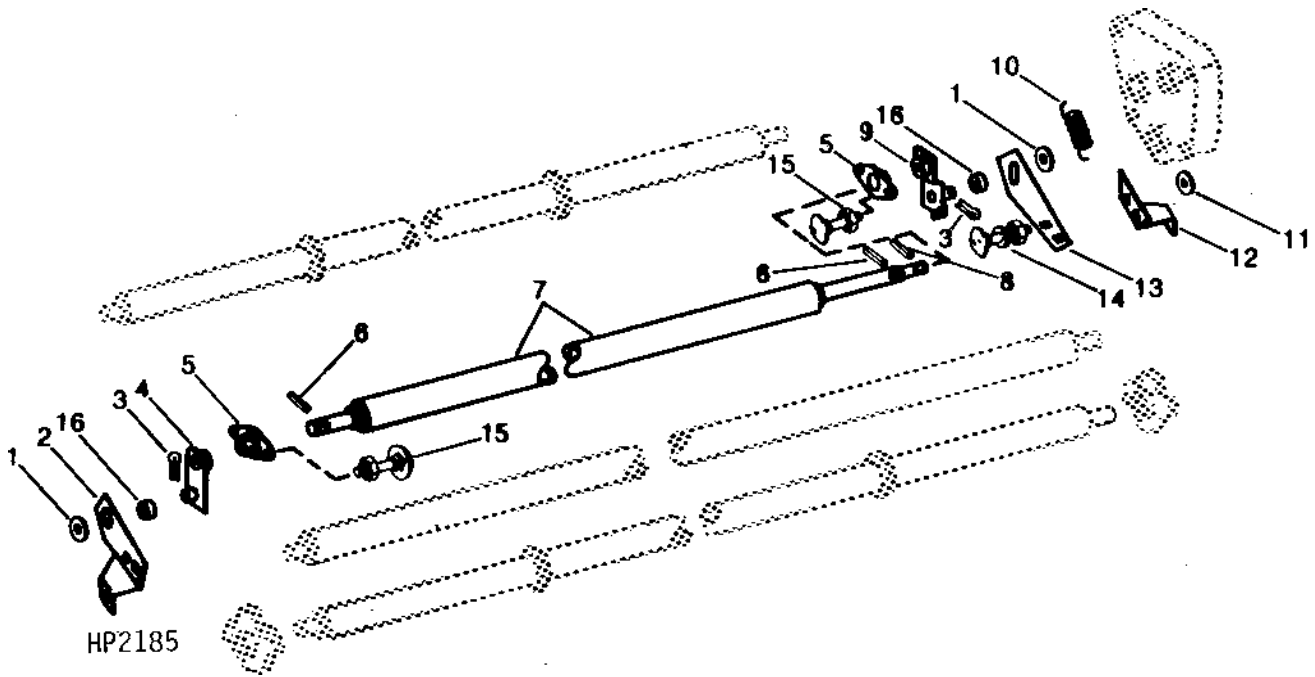
BH71988 (COMPLETE GOODS) 110" BPU W/AHHC AND ARSC

BH71989 (COMPLETE GOODS) 132" BPU W/AHHC AND ARSC

BH71990 (COMPLETE GOODS) 154" BPU W/AHHC AND ARSC

DIAL-A-MATIC HEADER HEIGHT CONTROL SHAFT, BEARINGS AND BRACKETS
(OPTIONAL)

(655151-)
HP2185 -UN-01JAN94



KEY	PART NO.	PART NAME	QTY	SERIAL NO.	REMARKS
1	24H1214	WASHER	2	-660281	13/32" X 1-1/8" X 0.065"
	24H1307	WASHER	2	660282-	10.312 X 25.400 X 1.600 MM (13/32" X 1" X 1/16")
2	AH114995	ARM	1		L.H.
3	J16931	SPRING LOCKING PIN	2		
4	AH111383	ARM	1		L.H.
5	AH111177	BEARING	2		
	AH129236	BEARING	2		
6	34H314	SPRING PIN	2		1/4" X 1-1/4"
	AH113220	SHAFT	1		(110")
7	AH113219	SHAFT	1		(132")
	AH111162	SHAFT	1		(154")
	34H312	SPRING PIN	1		1/4" X 1"
9	AH111382	ARM	1		
10	H135672	EXTENSION SPRING	1		
11	24H1305	WASHER	1		13/32" X 13/16" X 0.065"
12	H118361	ARM	1		R.H.
13	H118363	ARM	1		R.H.
14	03M7191	BOLT	2		M10 X 25
	12H304	LOCK WASHER	2		3/8"
	14M7274	NUT	2		M10
15	03M7184	BOLT	4		M8 X 20
	14M7298	FLANGE NUT	4		M8
16	N100859	WASHER	2		10.312 X 19.050 X 6.350 MM (13/32" X 3/4" X 1/4")

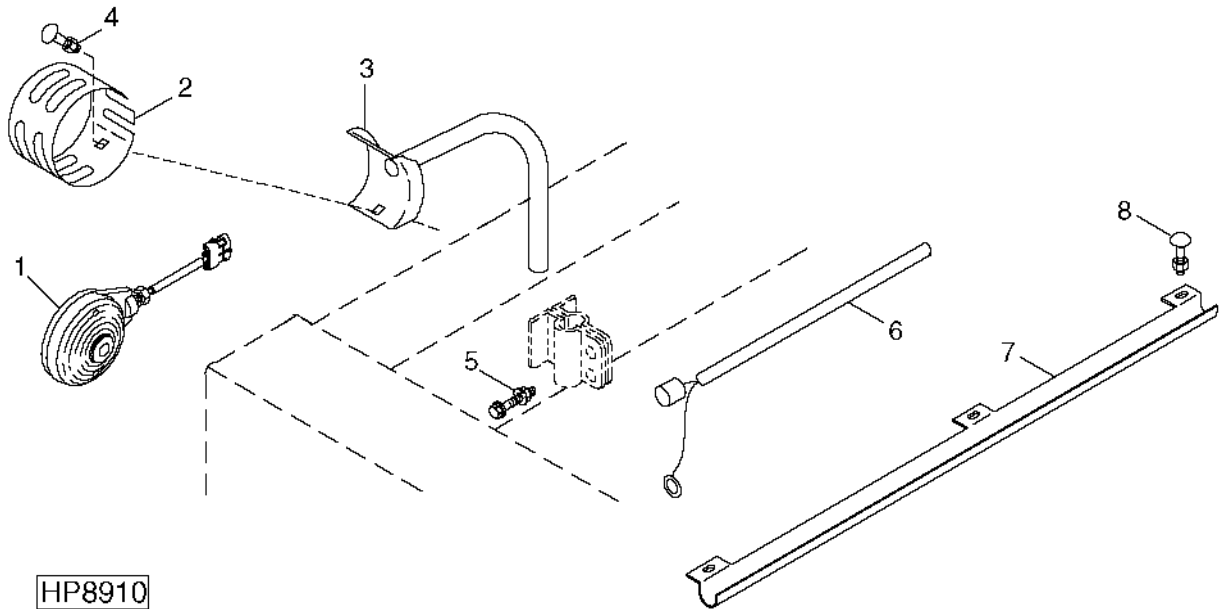
BH78321 (COMPLETE GOODS) 110" BPU W/AHHC SHAFT AND SHIELD ASSEMBLY

B23

MARKER LIGHTS

(-655150)

HP8910 -UN-12AUG99



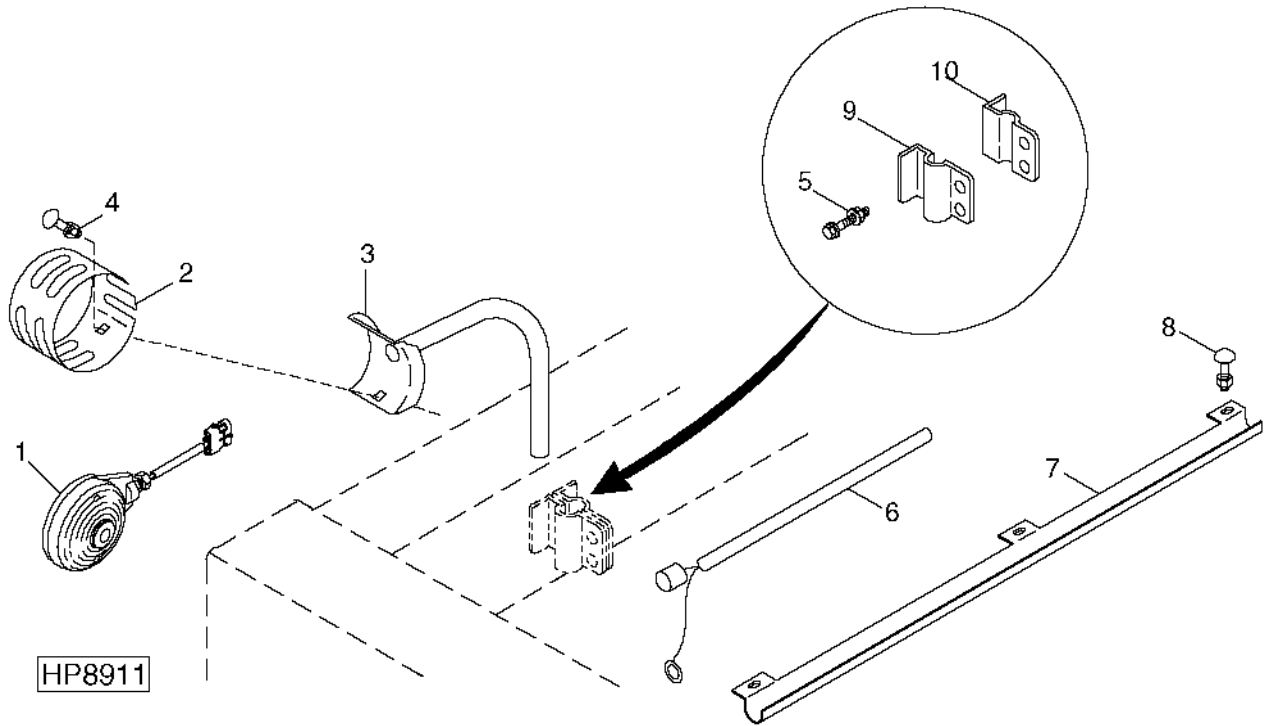
KEY	PART NO.	PART NAME	QTY	SERIAL NO.	REMARKS
1	AH164497	LAMP	2		
	R78053	PIN CONTACT CONNECTOR BODY	2		
2	H143317	SHIELD	2		
3	AH136653	TUBE	2		
4	03M7183	BOLT	8		M8 X 16
	14M7298	FLANGE NUT	4		M8
5	19M7867	SCREW	4		M8 X 25
	14M7298	FLANGE NUT	4		M8
6	AH134226	WIRING HARNESS	1		
	WIRING HARNESS	1	-645300	(ORDER BH81133)
7	H142185	SHIELD	1		
8	03H1765	BOLT	3		3/8" X 3/4"
	14H812	NUT	3		3/8"
..	BRACKET	1		NON-SERVICE WELDED MARKER LIGHT BRACKETS ARE (2) H139072 L H AND (2) H139073 R H.

BH81374 (COMPLETE GOODS) MARKER LIGHT CONVERSION

B24

MARKER LIGHTS

(655151-)
HP8911 -UN-12AUG99



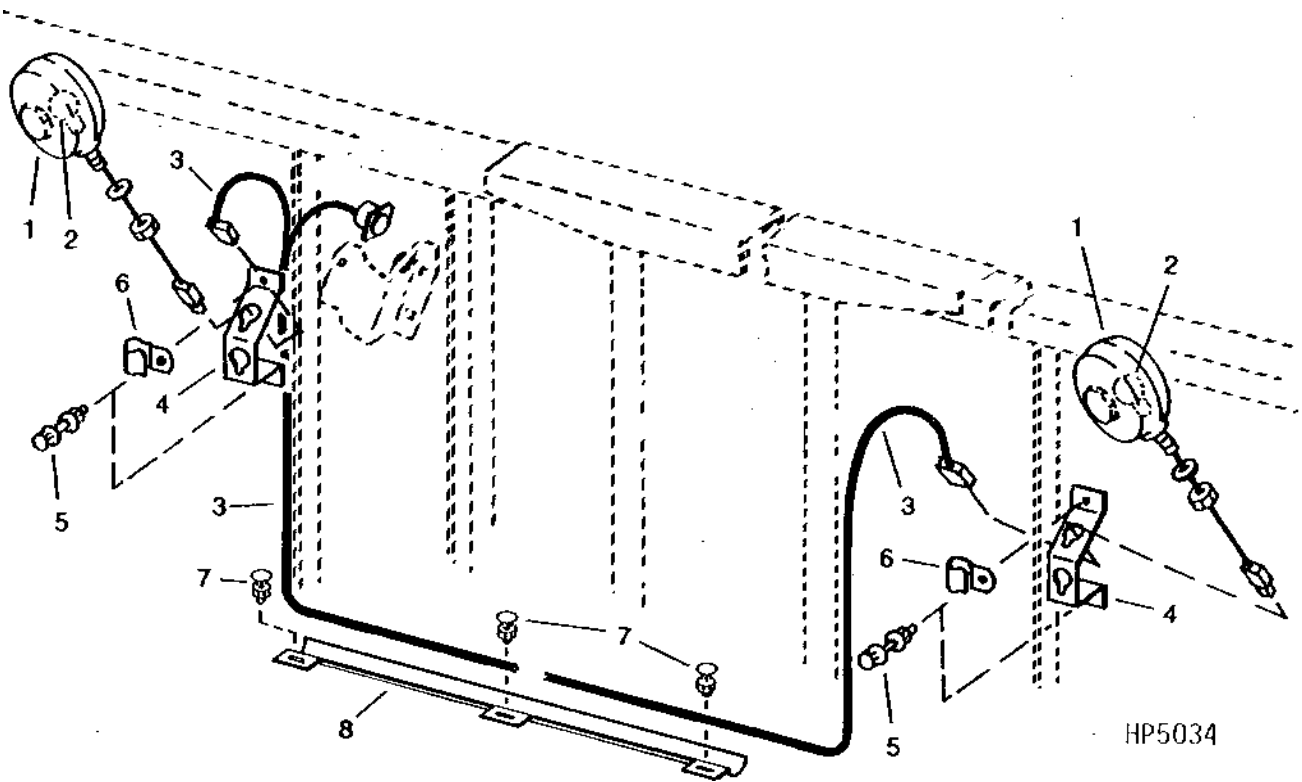
KEY	PART NO.	PART NAME	QTY	SERIAL NO.	REMARKS
1	AH164497	LAMP	2		
	R78053	PIN CONTACT CONNECTOR BODY	2		
2	H143317	SHIELD	2		
3	AH136653	TUBE	2		
4	03M7183	BOLT	8		M8 X 16
	14M7298	FLANGE NUT	4		M8
5	19M7867	SCREW	4		M8 X 25
	14M7298	FLANGE NUT	4		M8
6	AH134226	WIRING HARNESS	1	-660251	USE ONLY WITHOUT DIAL-A-MATIC AND DIAL-A SPEED
	AH144298	WIRING HARNESS	1	660252-	USE ONLY WITHOUT DIAL-A-MATIC AND DIAL-A SPEED
7	AH146565	WIRING HARNESS	1	660276-	USE W/DIAL-A-MATIC AND DIAL-A-SPEED
	H142185	SHIELD	1		
8	03M7190	BOLT	3		M10 X 20
	14M7296	FLANGE NUT	3		M10
9	H139073	HALF CLAMP	2		R.H. (WELDED)
10	H139072	HALF CLAMP	2		L.H. (WELDED)

BH81374 (COMPLETE GOODS) MARKER LIGHT CONVERSION

STUBBLE LIGHTS

(-655150)

HP5034 -UN-01JAN94

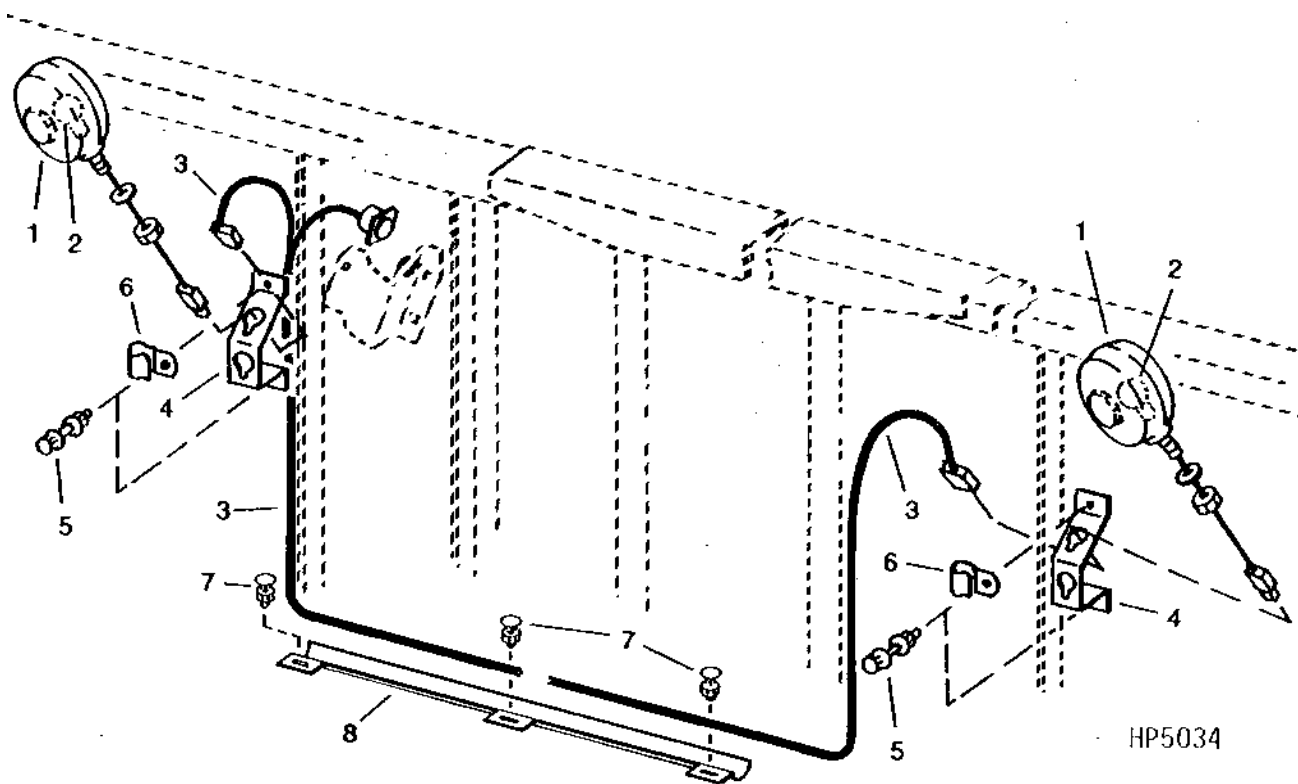


KEY	PART NO.	PART NAME	QTY	SERIAL NO.	REMARKS
1	AH164499	LAMP	2		
	R78061	PIN CONTACT	2		
2	AD2062R	BULB	2		
3	AH134204	WIRING HARNESS	1		
	AH134252	WIRING HARNESS	1	640500-	FIELD CONVERSION HARNESS ONLY
	AN152467	CONNECTOR	1		
4	H137423	BRACKET	2		
5	19M7775	SCREW	4		M6 X 16
	14M7303	FLANGE NUT	2		M6
6	AH89557	CLIP	2		
7	03H1765	BOLT	3		3/8" X 3/4"
	14H812	NUT	3		3/8"
8	H142185	SHIELD	1		
..	AH106612	RELAY	1		INSTALL IN LOCATION K12 OF POWER DISTRIBUTION CIRCUIT BOARD.

BH81263 (COMPLETE GOODS) STUBBLE LIGHTS

STUBBLE LIGHTS

(655151-)
 HP5034 -UN-01JAN94



KEY	PART NO.	PART NAME	QTY	SERIAL NO.	REMARKS
1	AH164499	LAMP	2		
	R78061	PIN CONTACT	2		
2	AD2062R	BULB	2		
3	AH134252	WIRING HARNESS	1		FIELD CONVERSION ONLY
	AN152467	CONNECTOR	1		FIELD CONVERSION HARNESS ONLY
4	H137423	BRACKET	2		
5	19M7775	SCREW	4	M6 X 16	
	14M7303	FLANGE NUT	2	M6	
6	AH89557	CLIP	2		
7	03M7190	BOLT	3	M10 X 20	
	14M7296	FLANGE NUT	3	M10	
8	H142185	SHIELD	1		
..	AH106612	RELAY	1	-661300	INSTALL IN LOCATION K12 OF POWER DISTRIBUTION CIRCUIT BOARD.

BH81263 (COMPLETE GOODS) STUBBLE LIGHTS

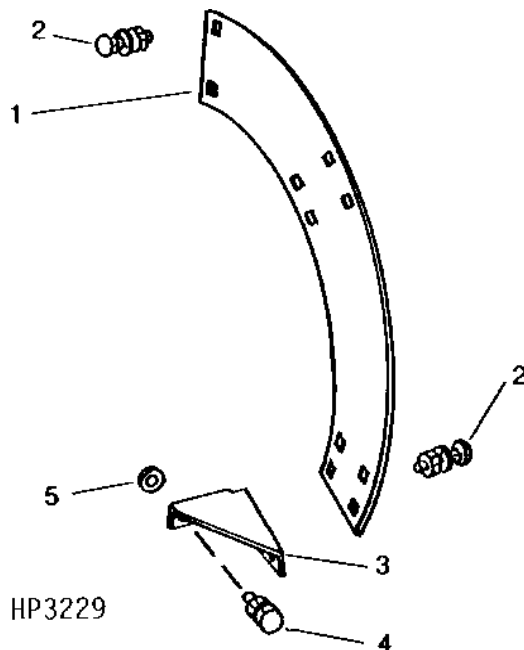
MEMORANDA

C4

FLIGHT EXTENSIONS (CROSS AUGER)

(-655300)

HP3229 -UN-01JAN94

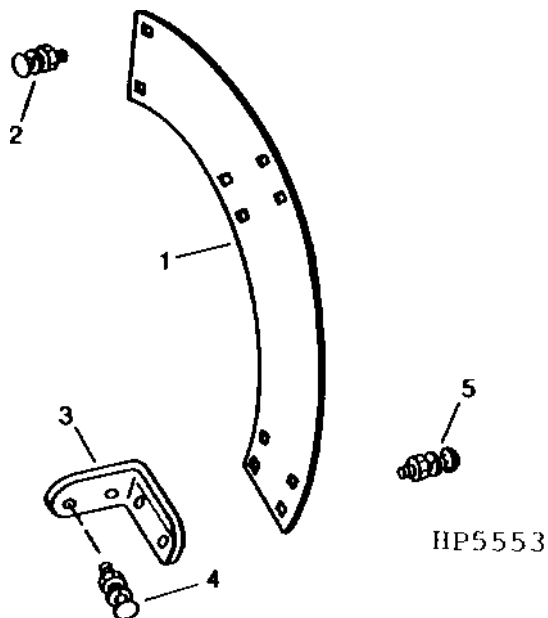


KEY	PART NO.	PART NAME	QTY	SERIAL NO.	REMARKS
1	H130934	EXTENSION	1	-649999	R.H.
	H145952	FLIGHT	1	650000-	R.H.
	H130935	FLIGHT	1	-649999	L.H.
2	H145953	FLIGHT	1	650000-	L.H.
	03H1540	BOLT	12	-649999	5/16" X 3/4"
	N10213	LOCK NUT	12	-649999	7.925 MM (5/16")
3	03H1937	BOLT	12	650000-	5/16" X 1-1/4"
	A22698	NUT	12	650000-	7.925 MM (5/16")
	H111905	GUSSET	2	-649999	(SUB H145998) L.H.
4	H111904	GUSSET	2	-649999	R.H. (SUB H145997)
	19H3411	CAP SCREW	6	-649999	3/8" X 1-1/8"
	12H304	LOCK WASHER	6	-649999	3/8"
	14H812	NUT	6	-649999	3/8"
	19H1906	CAP SCREW	8	650000-	5/16" X 1-1/2"
	24H1308	WASHER	16	650000-	13/32" X 1" X 0.134"
5	12M7065	LOCK WASHER	8	650000-	0.319"
	A22698	NUT	8	650000-	7.925 MM (5/16")
	24H1308	WASHER	6	-649999	13/32" X 1" X 0.134"

BH79835 (COMPLETE GOODS) FLIGHT ASSEMBLY - PLATFORM AUGER EXTENSION

AUGER FLIGHT EXTENSIONS

(655301-)
 HP5553 -UN-01JAN94



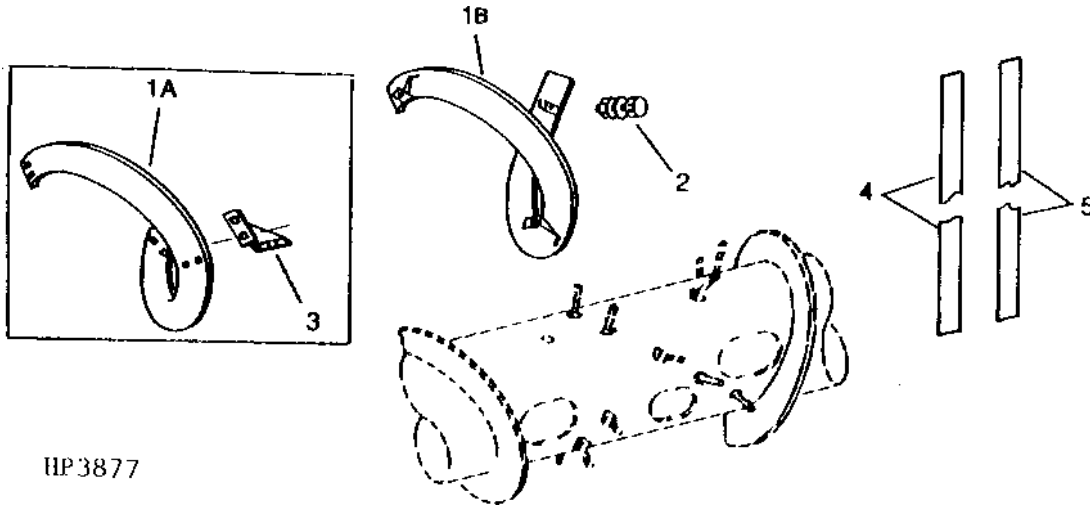
KEY	PART NO.	PART NAME	QTY	SERIAL NO.	REMARKS
1	H145952	FLIGHT	1	R.H.	
	H145953	FLIGHT	1	L.H.	
2	03M7184	BOLT	4	M8 X 20	
	14M7298	FLANGE NUT	4	M8	
3	H145998	GUSSET	2	L.H.	
	H145997	GUSSET	2	R.H.	
4	19M7323	CAP SCREW	8	M8 X 40	
	24H1308	WASHER	16	13/32" X 1" X 0.134"	
	12M7065	LOCK WASHER	8	8.100 MM (0.319")	
	14M7298	FLANGE NUT	8	M8	
5	03M7186	BOLT	8	M8 X 30	
	14M7298	FLANGE NUT	8	M8	

BH79835 (COMPLETE GOODS) FLIGHT ASSEMBLY - PLATFORM AUGER EXTENSION

C6

WINDROW SPREADER ATTACHMENT

(-655150)
HP3877 -UN-01JAN94



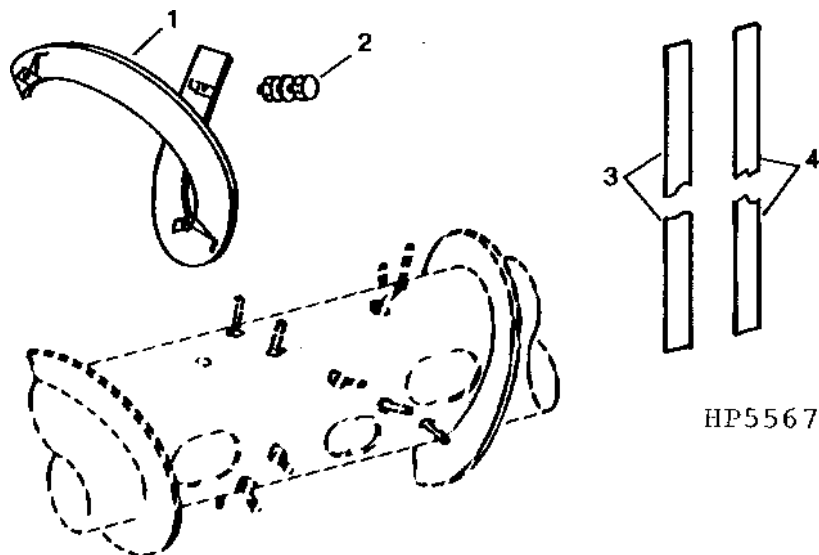
HP 3877

KEY	PART NO.	PART NAME	QTY	SERIAL NO.	REMARKS
1A	H130104	FLIGHT	1	-635100	(R.H.)
	H130105	FLIGHT	1	-635100	(L.H.)
1B	AH134128	EXTENSION	1	635101-	(R.H.)
	AH134129	EXTENSION	1	635101-	(L.H.)
2	03H1540	BOLT	12		5/16" X 3/4"
	19H3411	CAP SCREW	12		3/8" X 1-1/8"
	24H1308	WASHER	12		13/32" X 1" X 0.134"
	N10215	LOCK NUT	12		9.525 MM (3/8") (R.H.)
	N10213	LOCK NUT	12	-635100	7.925 MM (5/16") (L.H.)
	E55662	FLANGE NUT	12	635101-	9.525 MM (3/8") L.H.
3	H129114	BRACKET	3	-635100	(R.H.)
	H129115	BRACKET	3	-635100	(L.H.)
4	H131665	TAPE	2	635101-	(YELLOW) (100MM X 25MM) (WRAP AROUND TOP AND REAR OF HOLD DOWN FINGER ASSY, 380MM TO RIGHT AND LEFT OF CENTER) (SUB H131666)
	H131666	TAPE	2	635101-	(YELLOW) (600MM X 25MM) (WRAP AROUND LENGTH OF FINGER, 380MM RIGHT AND LEFT OF CENTER)
5	H131667	TAPE	2	635101-	(WHITE) (100MM X 25MM) (WRAP AROUND TOP AND REAR OF HOLD DOWN FINGER ASSY, 610MM RIGHT AND LEFT OF CENTER) (SUB H131668)
	H131668	TAPE	2	635101-	(WHITE) (600MM X 25MM) (WRAP AROUND LENGTH OF FINGER, 610MM RIGHT AND LEFT OF CENTER)

BH79148 (COMPLETE GOODS) FLIGHT ASSEMBLY - PL AUGER WINDROW SPREADER

WINDROW SPREADER ATTACHMENT

(655151-)
 HP5567 -UN-01JAN94



HP5567

KEY	PART NO.	PART NAME	QTY	SERIAL NO.	REMARKS
1	AH134128	EXTENSION	1	(R.H.)	
	AH134129	EXTENSION	1	(L.H.)	
2	19M7786	SCREW	12	M10 X 30	
	24H1308	WASHER	12	13/32" X 1" X 0.134"	
	14M7296	FLANGE NUT	12	M10	
3	H131665	TAPE	2	-660301	(YELLOW) (100MM X 25MM) (WRAP AROUND TOP AND REAR OF HOLD DOWN FINGER ASSY, 380MM TO RIGHT AND LEFT OF CENTER) (SUB H131666)
	H131666	TAPE	2		(YELLOW) (600MM X 25MM) (WRAP AROUND LENGTH OF FINGER, 380MM RIGHT AND LEFT OF CENTER)
4	H131667	TAPE	2	-660301	(WHITE) (100MM X 25MM) (WRAP AROUND TOP AND REAR OF HOLD DOWN FINGER ASSY, 610MM RIGHT AND LEFT OF CENTER) (SUB H131668)
	H131668	TAPE	2		(WHITE) (600MM X 25MM) (WRAP AROUND LENGTH OF FINGER, 610MM RIGHT AND LEFT OF CENTER)

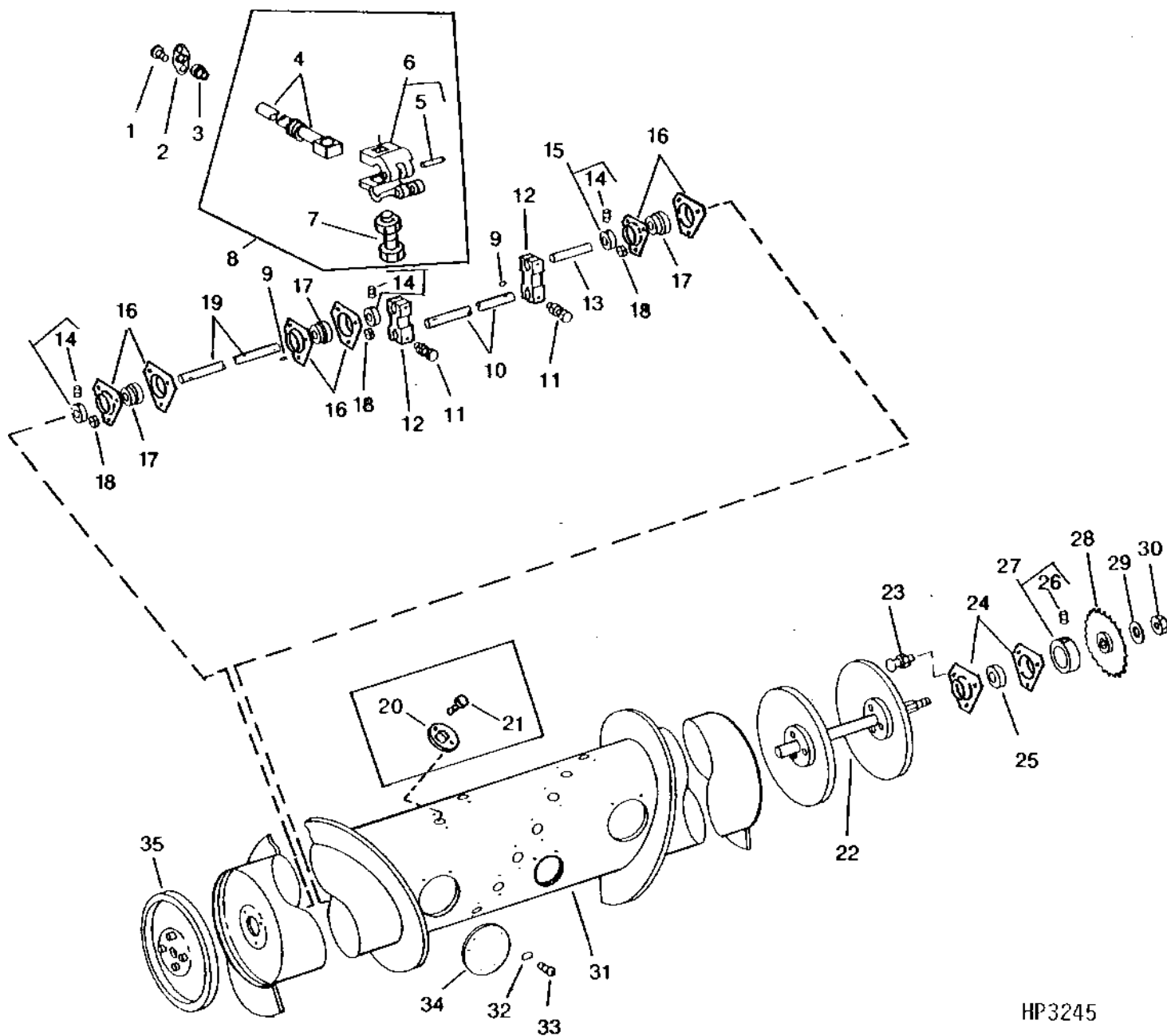
BH79148 (COMPLETE GOODS) FLIGHT ASSEMBLY - PL AUGER WINDROW SPREADER

MEMORANDA

CROSS AUGER AND SPROCKET

(-635100)

HP3245 -UN-01JAN94



HP3245

CROSS AUGER AND SPROCKET - CONTINUED
 (-635100)

KEY	PART NO.	PART NAME	QTY	SERIAL NO.	REMARKS
1	H86918	SCREW	36		7.925 X 14.224 MM (5/16" X 0.560")
2	H87192	CAP	18		
3	H87044	GUIDE	18		
4	H102724	FINGER	18		(SUB H150050)
	H150050	FINGER	18		
5	34H318	SPRING PIN	18		1/4" X 1-7/8"
6	AH107066	BEARING	18		
7	19H3549	CAP SCREW	18		5/16" X 1-3/4"
	H110730	FLANGE NUT	18		7.925 MM (5/16")
8	AH110993	FINGER	18		(SUB AH143705)
	AH143705	FINGER	18		
9	26H77	SHAFT KEY	4		3/16" X 3/4"
10	H87257	SHAFT	1		
11	19H1726	CAP SCREW	4		3/8" X 2-1/4"
	E50102	LOCK NUT	4		9.525 MM (3/8")
12	H118913	CRANK	2		
13	H94708	PIN	1		28.575 X 129.540 MM (1-1/8" X 5.100") R.H.
14	22H897	SET SCREW	3		1/4" X 1/4"
15	JD8551	ECCENTRIC LOCKING COLLAR	3		
16	E10018	PRESSED FLANGED HOUSING	6		
17	JD8552	BALL BEARING	3		
18	N10215	LOCK NUT	9		9.525 MM (3/8")
19	H87986	SHAFT	1		L.H. (912)
	H92823	SHAFT	1		L.H. (914)
20	H87193	COVER	6		
21	H86918	SCREW	AR		7.925 X 14.224 MM (5/16" X 0.560")
22	AH94788	SHAFT	1		(SUB AH148572, AH148573, AH148576 AND AH149325)
23	03H1765	BOLT	3		3/8" X 3/4"
	N10215	LOCK NUT	3		9.525 MM (3/8")
24	H103265	PRESSED FLANGED HOUSING	2		
25	JD9209	BALL BEARING	1		
26	22H979	SET SCREW	1		3/8" X 3/8"
27	JD8576	ECCENTRIC LOCKING COLLAR	1		
28	AH87947	CHAIN SPROCKET	1		40 TEETH
29	24H1402	WASHER	1		25/32" X 1-7/8" X 1/4"
30	14H904	NUT	1		3/4"
31	AH126270	AUGER	1	-625362	(912) (SUB AH131101)
	AH131101	AUGER	1	-635100	(912) (SUB AH136625)
	AH136625	AUGER	1		(912)
	AH126271	AUGER	1	-625284	(914) (SUB AH131102)
	AH131102	AUGER	1	-635100	(SUB AH136627) (914)
	AH136627	AUGER	1		(914)
32	P41706	NUT	6		(SUB BP13712) SPEED
	BP13712	NUT	6		6.350 MM (1/4")
33	19H1919	CAP SCREW	6		1/4" X 5/8"
34	H87184	COVER	3		
35	AH124929	CYLINDER HEAD	3		

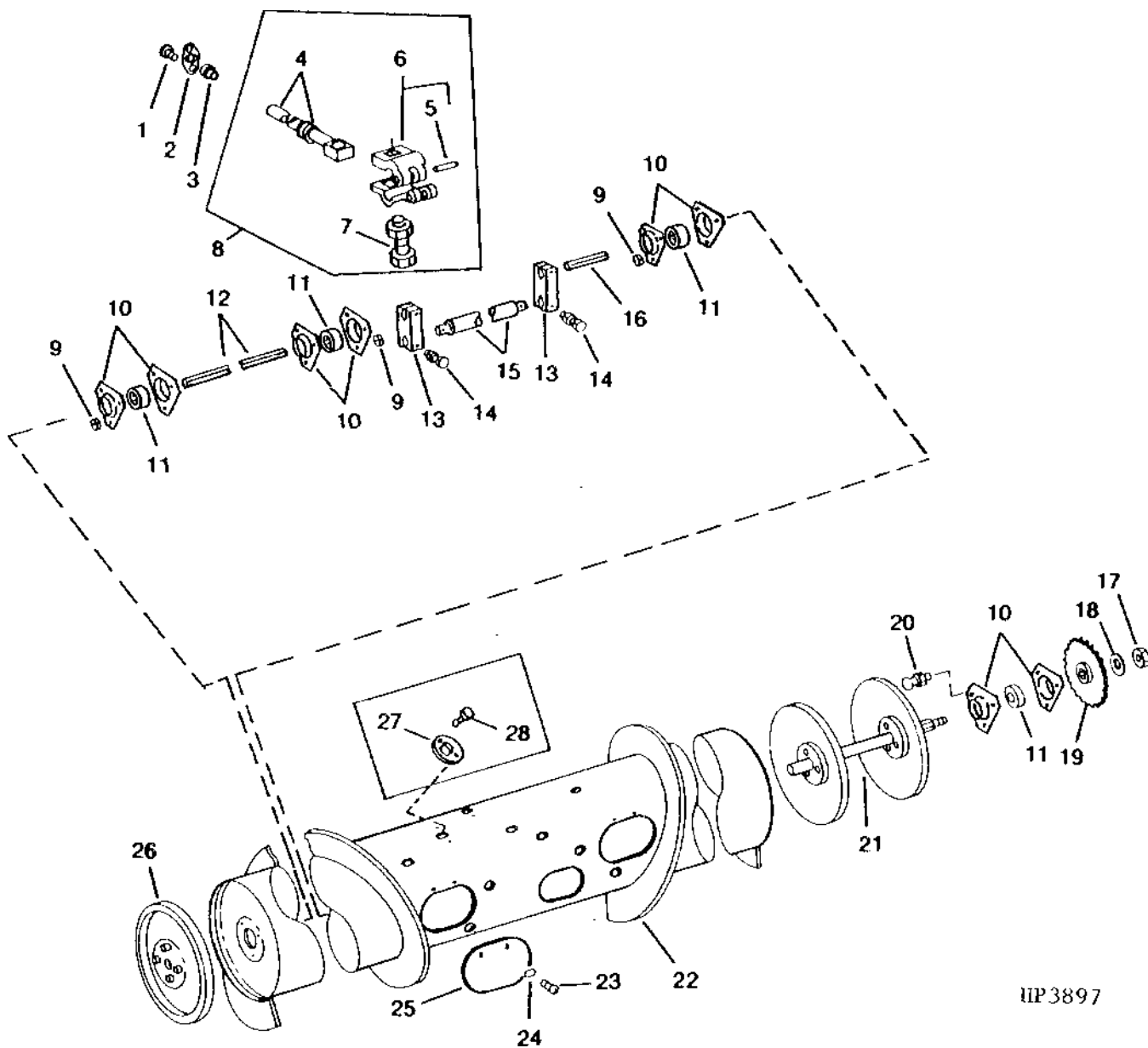
C10

CROSS AUGER AND SPROCKET

(635101-655150)

HP3897

-UN-01JAN94



HP3897

C11

AUGER AND DRIVE

CROSS AUGER AND SPROCKET - CONTINUED
(635101-655150)

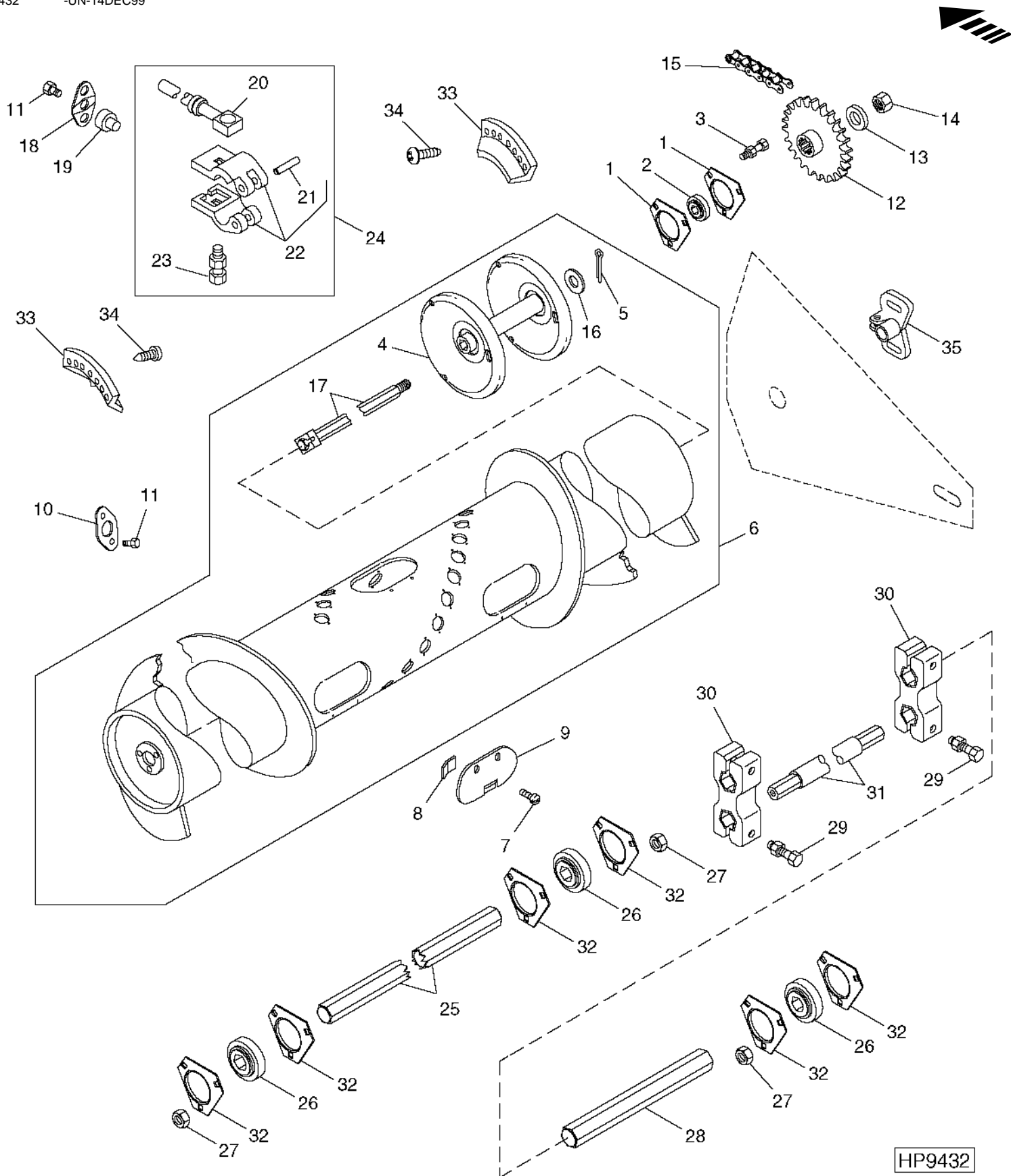
KEY	PART NO.	PART NAME	QTY	SERIAL NO.	REMARKS
1	H86918	SCREW	24		5/16" X 0.560"
2	H87192	CAP	12		
3	H87044	GUIDE	12		
4	H102724	FINGER	12		(SUB H150050)
	H150050	FINGER	12		
5	34H318	SPRING PIN	12		1/4" X 1-7/8"
6	AH107066	BEARING	12		
7	19H3549	CAP SCREW	12		5/16" X 1-3/4"
	H110730	FLANGE NUT	12		7.925 MM (5/16")
8	AH110993	FINGER	18		(SUB AH143705)
9	E55662	FLANGE NUT	9		3/8"
10	H103265	PRESSED FLANGED HOUSING	8		(ORDER H161529)
	H161529	PRESSED FLANGED HOUSING	8		
11	AN102010	BEARING	4		
12	H135062	SHAFT	1		L.H. (912)
	H135063	SHAFT	1		L.H. (914)
13	H136246	CRANK	2		
14	19H1801	CAP SCREW	4		3/8" X 2"
	E50102	LOCK NUT	4		9.525 MM (3/8")
15	H136247	PIN	1		
16	H135049	SHAFT	1		R.H.
17	14H912	NUT	1		3/4"
18	24H1399	WASHER	1		25/32" X 1-5/8" X 0.180"
19	AH131039	CHAIN SPROCKET	1		40 TEETH
20	03H1765	BOLT	3		3/8" X 3/4"
	E55662	FLANGE NUT	3		9.525 MM (3/8")
21	AH132334	DRIVER	1		(SUB AH142379)
22	AH131099	AUGER	1		(912) (SUB AH143704)
	AH131100	AUGER	1		(914) (SUB AH139691)
	AH143704	AUGER	1		(SUB AH149107) (912)
	AH149107	AUGER	1		(SUB AH159419) (912)
23	19H1919	CAP SCREW	6		1/4" X 5/8"
24	P41706	NUT	6		6.350 MM (1/4") (SUB BP13712) SPEED
	BP13712	NUT	6		6.350 MM (1/4")
25	H136046	COVER	3		
26	CYLINDER HEAD	1		
27	H87193	COVER	4		
28	H86918	SCREW	AR		7.925 X 14.224 MM (5/16" X 0.560")

C12

AUGER AND DRIVE

CROSS AUGER AND SHAFTS, BEARINGS AND FINGERS

(655151-)
HP9432 -UN-14DEC99



HP9432

C13

AUGER AND DRIVE

CROSS AUGER AND SHAFTS, BEARINGS AND FINGERS - CONTINUED
(655151-)

KEY	PART NO.	PART NAME	QTY	SERIAL NO.	REMARKS
1	H103265	PRESSED FLANGED HOUSING	2	-675294	
	E62484	PRESSED FLANGED HOUSING	2	665328-675294	(B) (914)
	H161529	PRESSED FLANGED HOUSING	2	675295-	(914)
2	AN102010	BEARING	1		
	AE37204	BEARING	1	665328-	(B) (914)
3	03M7190	BOLT	3		M10 X 20
	03M7197	BOLT	4		(B) M12 X 25, (914)
	14M7296	FLANGE NUT	3		M10
	14M7299	FLANGE NUT	4	665328-	(B) M12, (914)
4	AH142379	DRIVER	1		
	AH148572	AUGER	1	665328-	(914)
5	11M7028	COTTER PIN	1		5 X 32 MM
	11M7030	COTTER PIN	1	665328-	5 X 40 MM, (912)
6	AH141442	AUGER	1		
	AH149108	AUGER	1	665328-675294	(914)
	AH159420	AUGER	1	675295-	(914)
	AH159419	AUGER	1		(912)
7	19M7775	SCREW	2		(A) M6 X 16
8	M84972	NUT	2		(A) 6 MM (0.236")
9	H136046	COVER	3		(A)
10	H87193	COVER	4		ON END HOLES
11	H86918	SCREW	50		
12	AH131039	CHAIN SPROCKET	1	-665327	40 TEETH (SERVICE ONLY)
	AH148573	CHAIN SPROCKET	1	665328-	(914)
13	24H1399	WASHER	1		25/32" X 1-5/8" X 0.180"
14	14H912	NUT	1		3/4"
15	AE31626	LINK CHAIN	1		ROLLER, TYPE 60, 3/4" PITCH, 90 LINKS
16	T29049	WASHER	1		
17	AH148576	DRIVE SHAFT	1	665328-	(914)
18	H87192	CAP	23		
19	H87044	GUIDE	23		
20	H102724	FINGER	23	-655160	(SUB H150050)
	H150050	FINGER	23		
21	34H318	SPRING PIN	23		1/4" X 1-7/8"
22	AH107066	BEARING	23		
23	19M8317	SCREW	17		M8 X 40
	14M7396	LOCK NUT	17		M8
24	AH110993	FINGER	23	-655285	(SUB AH143705)
	AH143705	FINGER	AR	-660312	(SUB AH107066, 19M8319 AND 14M7396)
25	H135059	SHAFT	1		
26	AN102010	BEARING	3		(A)
27	14M7296	FLANGE NUT	9		(A) M10
28	H135049	SHAFT	1		(A)
29	19M7817	SCREW	4		(A) M12 X 70, (USE (2) WITH H167350)
	03M7380	BOLT	4		M12 X 70, (USE (2) WITH H174360)
	H137329	LOCK NUT	4		(A) M12
30	H167350	CRANK	2		(SUB H174360 WITH (2) 03M7380)
	H174360	CRANK	2		
31	H166762	SHAFT	1		(A)
32	H103265	PRESSED FLANGED HOUSING	6		(A)
33	Z20383	DEFLECTOR	1		L.H.
	Z20384	DEFLECTOR	1		R.H.
34	37M7058	SCREW	8		M8 X 20
35	H149441	SUPPORT	1		(A)
..	AH149330	KIT	1	665328-	INCLUDES PARTS MARKED (A)
..	AH149332	KIT	1	665328-	INCLUDES PARTS MARKED (B) (INCLUDES AH148908)

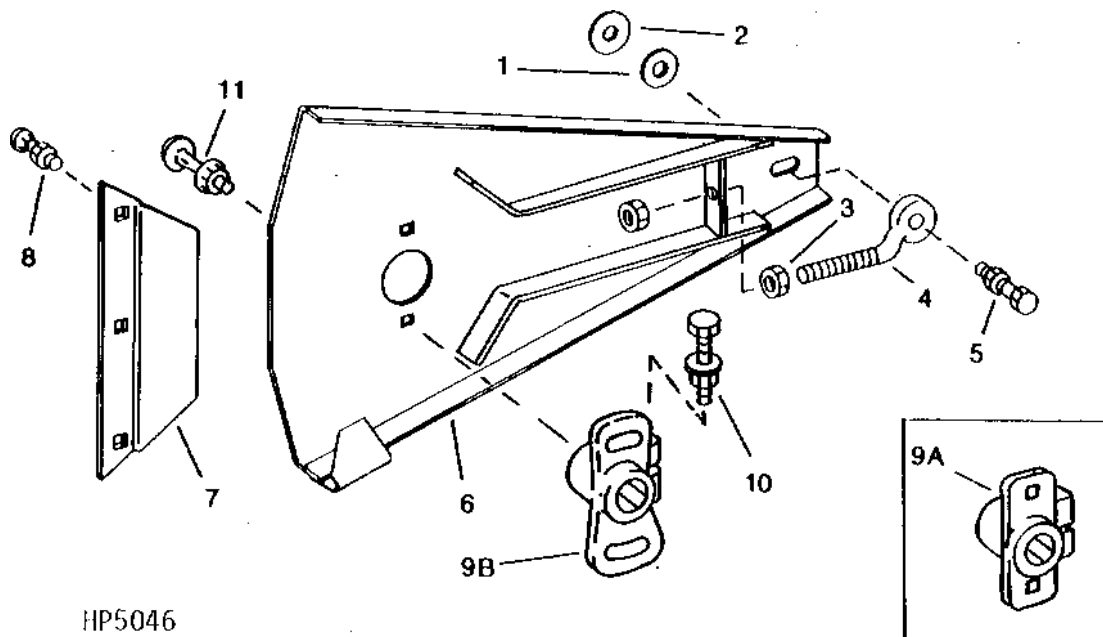
C14

AUGER AND DRIVE

AUGER ADJUSTMENT BRACKETS

(-655150)

HP5046 -UN-01JAN94



HP5046

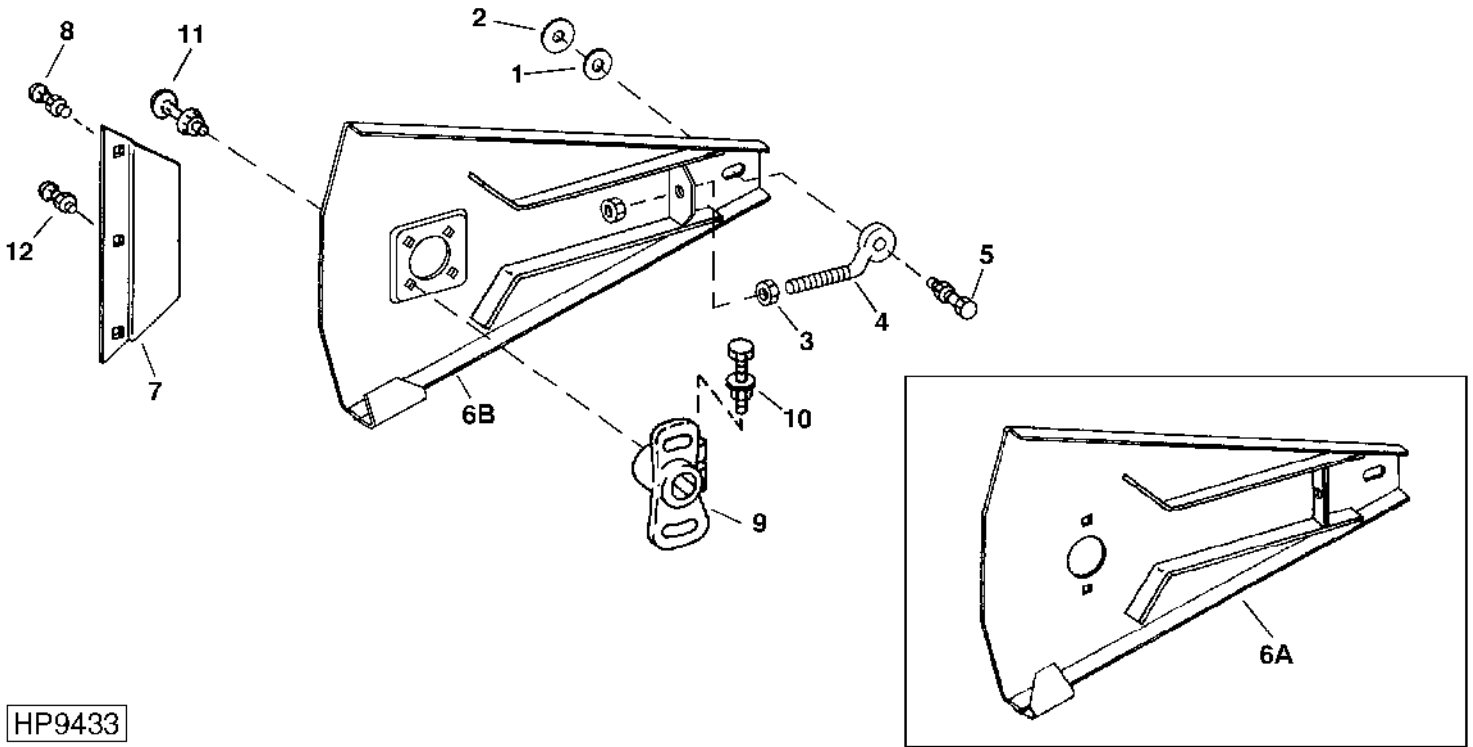
KEY	PART NO.	PART NAME	QTY	SERIAL NO.	REMARKS
1	24H1272	WASHER	2		9/16" X 1-1/4" X 1/4"
2	24H1346	WASHER	2		17/32" X 1-3/4" X 0.120"
3	H87062	NUT	4		15.875 MM (5/8") (SUB E62875)
4	E62875	LOCK NUT	4		15.875 MM (5/8")
	H89486	EYEBOLT	2	-625900	L.H.
	H89486	EYEBOLT	1		R.H. (SUB H137055)
	AH129264	STUD	1		R.H.
	H137055	EYEBOLT	1		R.H.
5	19H1721	CAP SCREW	2	-635100	1/2" X 1-1/2"
	03H1746	BOLT	2	635101-	1/2" X 1-1/4"
	E54809	LOCK NUT	2	-635100	1/2"
	A11455	NUT	2	635101-	1/2", (SUB 14H1069)
	14H1069	NUT	2		
6	AH103782	BRACKET	1	-625900	R.H. (SUB AH129265)
	AH129265	BRACKET	1	-635100	R.H.
	AH134130	BRACKET	1	635101-	R.H.
	AH103781	BRACKET	1	-625900	L.H. (SUB AH129266)
	AH129266	BRACKET	1	-635100	L.H. (SUB AH131520)
	AH131520	BRACKET	1	635101-640157	(SUB AH139163 AND CM21106) L H WITH HEX BACKSHAFT OR CM16596 WITH ROUND BACKSHAFT
	AH139163	BRACKET	1	640158-	L H
7	H87994	PLATE	2		
8	03H1765	BOLT	6		3/8" X 3/4"
	N10215	LOCK NUT	6		9.525 MM (3/8")
9A	H135196	SUPPORT	1	635101-	L.H. (SUB CM21106)
	H141711	SUPPORT	1	-640100	
9B	CM21106	SUPPORT	1	640101-	
10	19H1726	CAP SCREW	1	635101-	3/8" X 2-1/4" L.H.
	E55662	FLANGE NUT	1	635101-	3/8" L.H.
11	03H1746	BOLT	2	635101-	1/2" X 1-1/4" L.H.
	A11455	NUT	2	635101-	1/2" L.H. (SUB 14H1069)
	14H1069	NUT	2		

C15

AUGER AND DRIVE

AUGER ADJUSTMENT BRACKETS

(655151-)
HP9433 -UN-14DEC99



HP9433

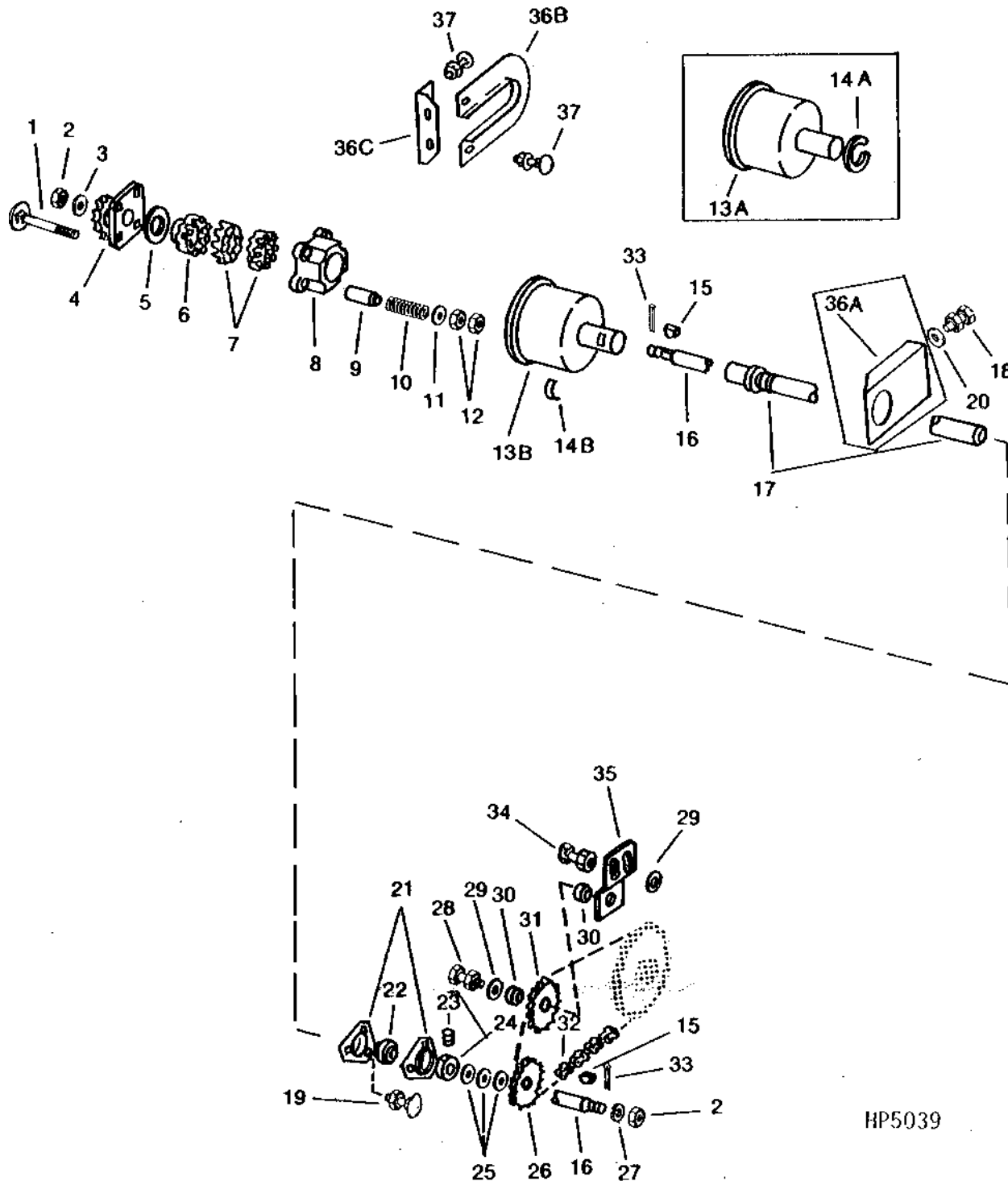
KEY	PART NO.	PART NAME	QTY	SERIAL NO.	REMARKS
1	24H1272	WASHER	2		9/16" X 1-1/4" X 1/4"
2	24H1346	WASHER	2		17/32" X 1-3/4" X 0.120"
3	14M7291	FLANGE NUT	4		M16
4	H147697	EYEBOLT	2		
5	19M7791	SCREW	2		M12 X 40
	14M7299	FLANGE NUT	2		M12
6A	AH134130	BRACKET	1		R.H.
	AH139163	BRACKET	1		L.H.
6B	AH148908	BRACKET	1	665328-	R.H. (914)
7	H87994	PLATE	2		
8	03M7190	BOLT	4		M10 X 20
	14M7296	FLANGE NUT	4		M10
9	H149441	SUPPORT	1		L.H.
10	19M7807	SCREW	1		M10 X 60 L.H.
	14M7400	LOCK NUT	1		M10 L.H.
11	03M7198	BOLT	2		M12 X 30 L.H.
	14M7299	FLANGE NUT	2		M12 L.H.
12	03M7192	BOLT	2		M10 X 30
	14M7296	FLANGE NUT	2		M10

C16

CROSS AUGER DRIVE (912 AND 914 PICKUP PLATFORM)

(-635100)

HP5039 -UN-01JAN94



HP5039

C17

AUGER AND DRIVE

CROSS AUGER DRIVE (912 AND 914 PICKUP PLATFORM) - CONTINUED
 (-635100)

KEY	PART NO.	PART NAME	QTY	SERIAL NO.	REMARKS
1	03H2040	BOLT	4		3/8" X 4-1/4"
2	14H902	NUT	2		3/4"
3	C2214E	WASHER	1		
4	AH87953	DRIVER	1	-636200	(SUB H143581)
	H143581	DRIVER	1		
5	H89524	WASHER	1		
6	H93738	SLIP CLUTCH	1		
7	Z699H	SLIP CLUTCH	2		
8	H89525	RETAINER	1		
9	H87206	SPACER	4		
10	H77433	SPRING	4		
11	24H1653	WASHER	4		13/32" X 1-1/4" X 0.120"
12	E50102	LOCK NUT	8		
13A	AH88540	SHIELD	1		(912, -630316; 914, -630252) (SUB H135222)
13B	H135222	SHIELD	1		(USE WITH E62951 AND AH132618)
14A	H87059	SNAP RING	1		(912, -630316; 914, -630252) (SUB E62951)
14B	E62951	UNIVERSAL JOINT BEARING	1		(USE WITH H135222 AND AH132618)
15	26H82	SHAFT KEY	2		1/4" X 7/8"
16	H87985	SHAFT	1		(912)
	H112687	SHAFT	1		(914)
17	AH89384	SHIELD	1	-630316	(912) (SUB AH132618)
	AH92314	SHIELD	1	-630252	(914) (SUB AH132618)
	AH132618	POWERSHAFT SHIELD	1		(USE WITH H135222 AND E62951)
18	03H1765	BOLT	2		3/8" X 3/4", (914)
	N10215	LOCK NUT	2		9.525 MM (3/8") (914)
19	03H1765	BOLT	4		3/8" X 3/4"
	N10215	LOCK NUT	4		9.525 MM (3/8")
20	24H1305	WASHER	2		13/32" X 13/16" X 0.065"
21	H103265	PRESSED FLANGED HOUSING	2		
22	AH10515	BALL BEARING	1		
23	22H897	SET SCREW	1		1/4" X 1/4"
24	JD8594	ECCENTRIC LOCKING COLLAR	1		
25	24H1266	WASHER	3		1-9/32" X 1-3/4" X 0.060"
26	AH87945	CHAIN SPROCKET	1		13 TEETH
27	24H1399	WASHER	1		25/32" X 1-5/8" X 0.180"
28	03H2114	BOLT	1		1/2" X 2-3/4"
	E54809	LOCK NUT	1		12.700 MM (1/2")
29	24H1111	WASHER	2		17/32" X 1-1/16" X 0.090"
30	H98792	WASHER	2		13.487 X 28.575 X 8.636 MM (17/32" X 1-1/8" X 0.340")
31	AH20443	CHAIN SPROCKET	1		15 TEETH
32	LINK CHAIN	1		ROLLER, DRIVE, TYPE 60, 3/4" PITCH, 89 LINKS, (ASSEMBLE FROM AB1288H, AB1289H, AB1290H, (2) B5236H, B5321H AND B5234H)
33	11H237	COTTER PIN	2		1/8" X 2"
34	03H1746	BOLT	2		1/2" X 1-1/4"
	E54809	LOCK NUT	2		12.700 MM (1/2")
35	H110726	BRACKET	1		
36A	H101690	SUPPORT	1	-640100	(SUB H87226 AND H135342 AND (2) E55662 AND (2) 03H1765)
36B	H87226	BRACKET	1	640101-	
36C	H135342	ANGLE	1	640101-	
37	03H1765	BOLT	4	640101-	3/8" X 3/4"
	E55662	FLANGE NUT	4	640101-	9.525 MM (3/8")

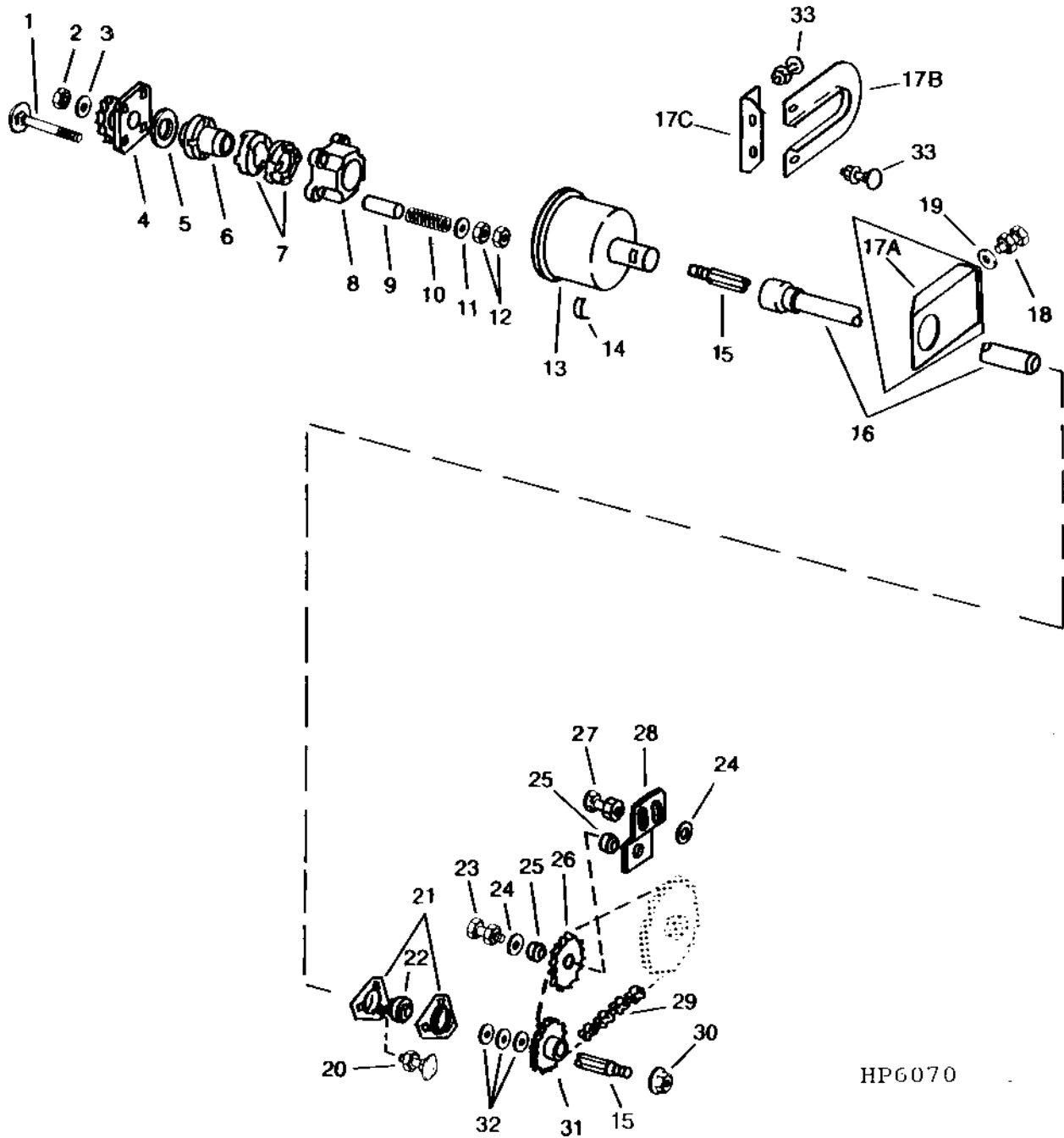
C18

CROSS AUGER DRIVE (912 AND 914 PICKUP PLATFORM)

(635101-655150)

HP6070

-UN-02MAY95



HP6070

C19

AUGER AND DRIVE

**CROSS AUGER DRIVE (912 AND 914 PICKUP PLATFORM) - CONTINUED
(635101-655150)**

KEY	PART NO.	PART NAME	QTY	SERIAL NO.	REMARKS
1	03H2040	BOLT	4		3/8" X 4-1/4"
2	14H794	NUT	1	640101-	3/4"
3	12H236	LOCK WASHER	1	640101-	3/4"
4	AH87953	DRIVER	1	-636200	(SUB H143581)
	H143581	DRIVER	1		
5	H89524	WASHER	1		45.237 X 88.900 X 2.005 MM (1-25/32" X 3-1/2" X 0.079")
6	H135241	FORGING	1		
7	H136032	SLIP CLUTCH	2		
8	H89525	RETAINER	1		
9	H87206	SPACER	4		
10	H77433	SPRING	4		
11	24H1653	WASHER	4		13/32" X 1-1/4" X 0.120"
12	H86656	LOCK NUT	8		9.525 MM (3/8")
13	H135222	SHIELD	1		(USE WITH E62951)
14	E62951	UNIVERSAL JOINT BEARING	1		(USE WITH H135222)
15	AH131521	SHAFT	1		(912)
	AH131522	SHAFT	1		(914)
16	AH131479	POWERSHAFT SHIELD	1		
17A	H101690	SUPPORT	1	-640100	(SUB H87226 AND H135342 AND (2) E55662 AND (2) 03H1765)
17B	H87226	BRACKET	1	640101-	
17C	H135342	ANGLE	1	640101-	
18	03H1765	BOLT	2		3/8" X 3/4", (914)
	N10215	LOCK NUT	2		9.525 MM (3/8") (914)
19	24H1305	WASHER	2		13/32" X 13/16" X 0.065"
20	03H1765	BOLT	4		3/8" X 3/4"
	N10215	LOCK NUT	4		9.525 MM (3/8")
21	H103265	PRESSED FLANGED HOUSING	2		
22	AN102010	BEARING	1		
23	03H1500	BOLT	1		3/8" X 1"
	A11455	NUT	1		1/2"
24	24H1111	WASHER	2		17/32" X 1-1/16" X 0.090"
25	H114395	SPACER	2		
26	AH89429	CHAIN SPROCKET	1		15 TEETH
27	03H1746	BOLT	2		1/2" X 1-1/4"
	A11455	NUT	2		12.700 MM (1/2")
28	H110726	BRACKET	1		
29	LINK CHAIN	1		ROLLER, DRIVE, TYPE 60, 3/4" PITCH, 89 LINKS, (ASSEMBLE FROM AB1288H, AB1289H, AB1290H, (2) B5236H, B5321H AND B5234H)
30	W29648	LOCK NUT	1		3/4"
31	AH130579	CHAIN SPROCKET	1		(SUB AH138180) 13 TEETH
	AH138180	CHAIN SPROCKET	1		13 TEETH
32	24H1266	WASHER	3		1-9/32" X 1-3/4" X 0.060"
33	03H1765	BOLT	4		3/8" X 3/4"
	E55662	FLANGE NUT	2		9.525 MM (3/8")

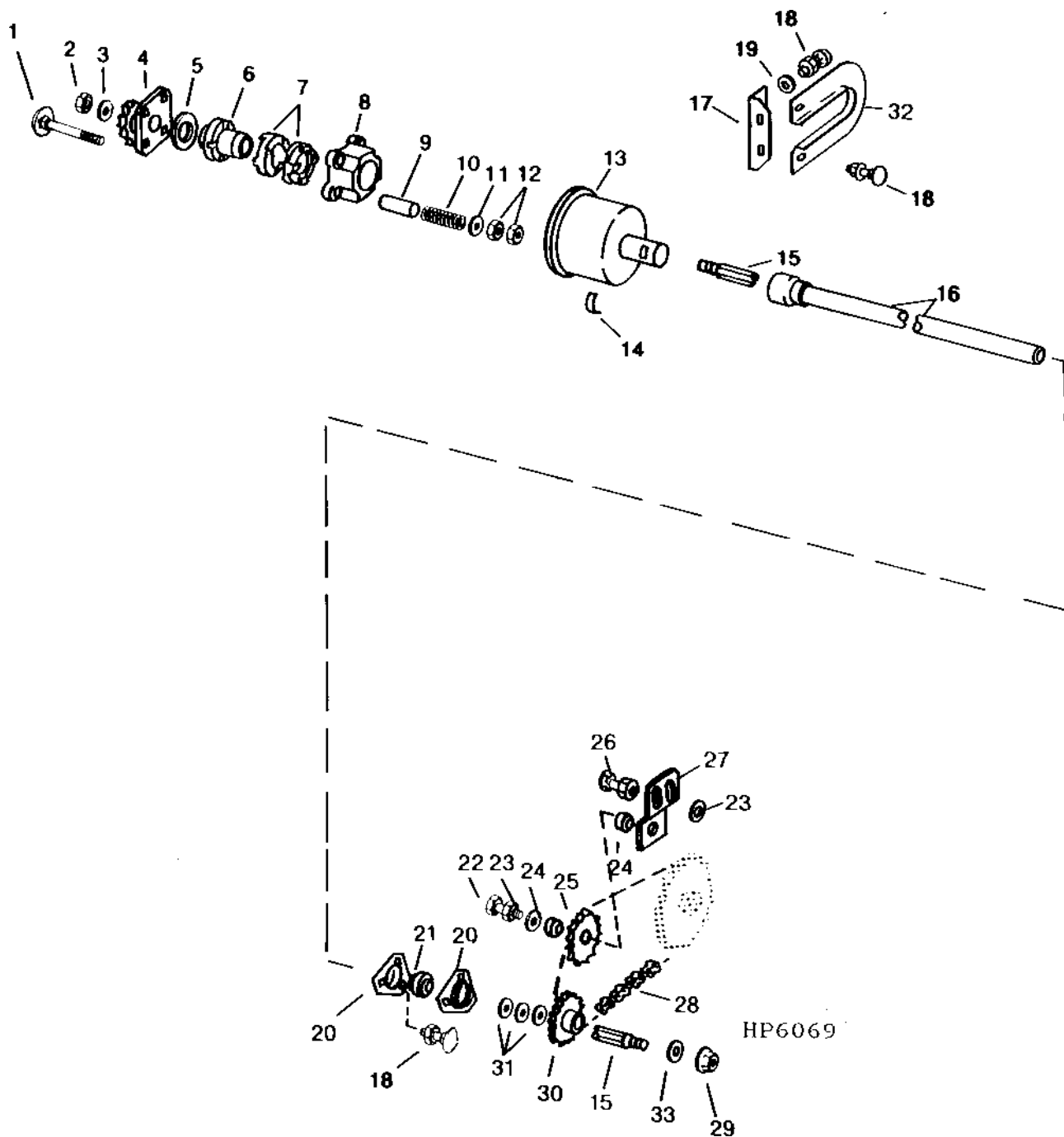
C20

CROSS AUGER DRIVE (912 AND 914 PICKUP PLATFORM)

(655151-665150)

HP6069

-UN-02MAY95



HP6069

C21

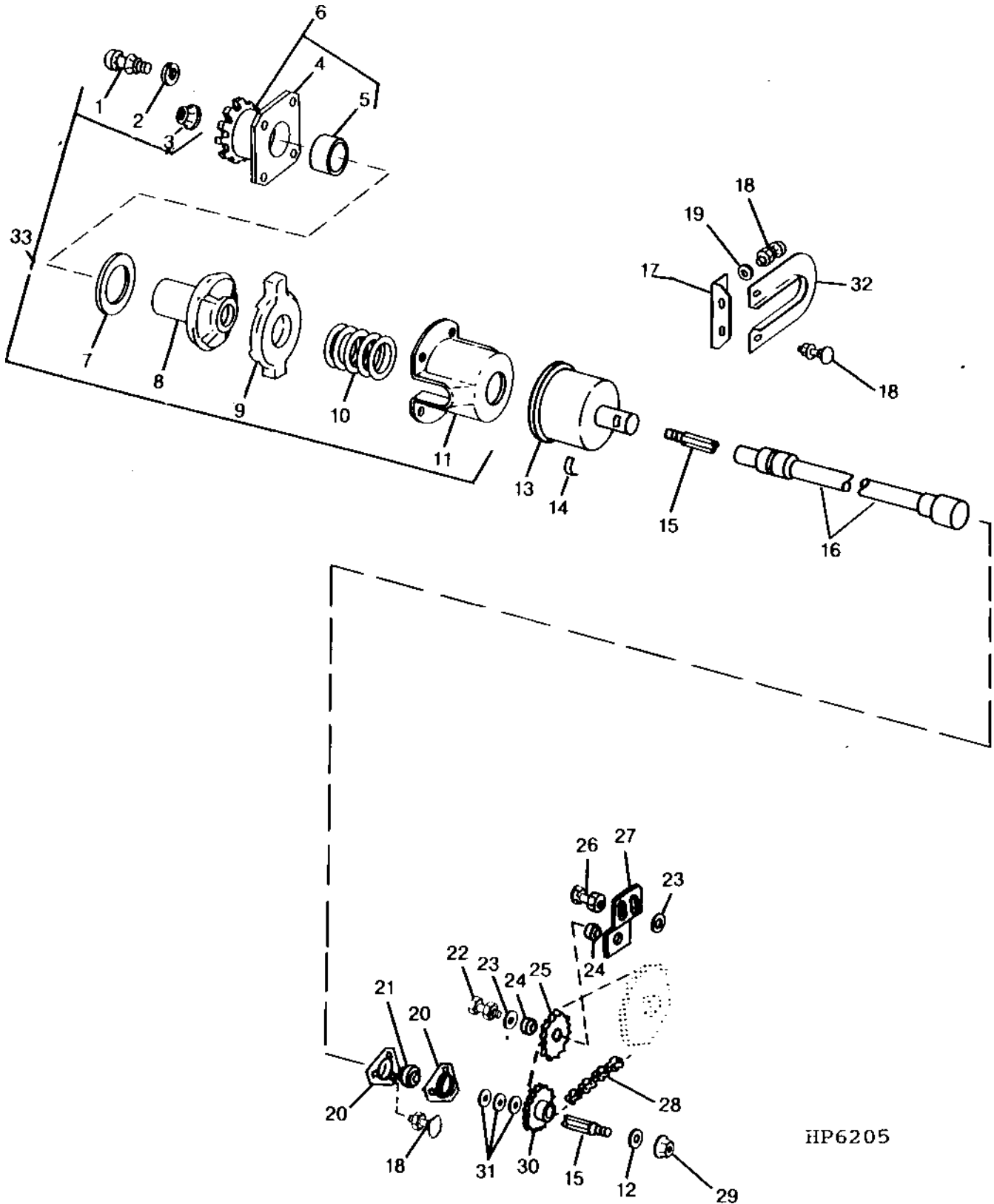
AUGER AND DRIVE

**CROSS AUGER DRIVE (912 AND 914 PICKUP PLATFORM) - CONTINUED
(655151-665150)**

KEY	PART NO.	PART NAME	QTY	SERIAL NO.	REMARKS
1	03M7333	BOLT	4		M10 X 110
2	A31870	LOCK NUT	1		M20
3	12H236	LOCK WASHER	1		3/4"
4	H147702	DRIVER	1		
5	H89524	WASHER	1		45.237 X 88.900 X 2.005 MM (1-25/32" X 3-1/2" X 0.079")
6	H135241	FORGING	1		
7	H136032	SLIP CLUTCH	2		
8	H89525	RETAINER	1		
9	H87206	SPACER	4		
10	H77433	SPRING	4		
11	24H1653	WASHER	4		13/32" X 1-1/4" X 0.120"
12	H148345	LOCK NUT	8		M10
13	H135222	SHIELD	1		(USE WITH E62951)
14	E62951	UNIVERSAL JOINT BEARING	1		(USE WITH H135222)
15	AH143129	SHAFT	1	-656049	(SUB AH145815) (912)
	AH145815	SHAFT	1		693.5 (27-1/4 IN.)
	AH141443	SHAFT	1	-656049	(SUB AH145816) (914)
	AH145816	SHAFT	1		(914)
16	AH131479	POWERSHAFT SHIELD	1		
17	H135342	ANGLE	1		
18	03M7190	BOLT	8		M10 X 20, (914)
	14M7296	FLANGE NUT	8		M10, (914)
19	24H1305	WASHER	2		13/32" X 13/16" X 0.065"
20	H103265	PRESSED FLANGED HOUSING	2		
21	AN102010	BEARING	1		
22	03M7226	BOLT	1		M12 X 70
	14M7299	FLANGE NUT	1		M12
23	24H1111	WASHER	2		17/32" X 1-1/16" X 0.090"
24	H114395	SPACER	1		
25	AH89429	CHAIN SPROCKET	1		15 TEETH
26	03M7198	BOLT	2		M12 X 30
	14M7299	FLANGE NUT	2		M12
27	H110726	BRACKET	1		
28	LINK CHAIN	1		ROLLER, DRIVE, TYPE 60, 3/4" PITCH, 89 LINKS, (ASSEMBLE FROM AB1288H, AB1289H, AB1290H, (2) B5236H, B5321H AND B5234H)
29	A31870	LOCK NUT	1		M20
30	AH138180	CHAIN SPROCKET	1		13 TEETH
31	24H1266	WASHER	3		1-9/32" X 1-3/4" X 0.060"
32	H87226	BRACKET	4		
33	24M7292	WASHER	1		26 X 37 X 2 MM

CROSS AUGER DRIVE (914 PICKUP PLATFORM)

(665151-)
HP6205 -UN-04JAN96



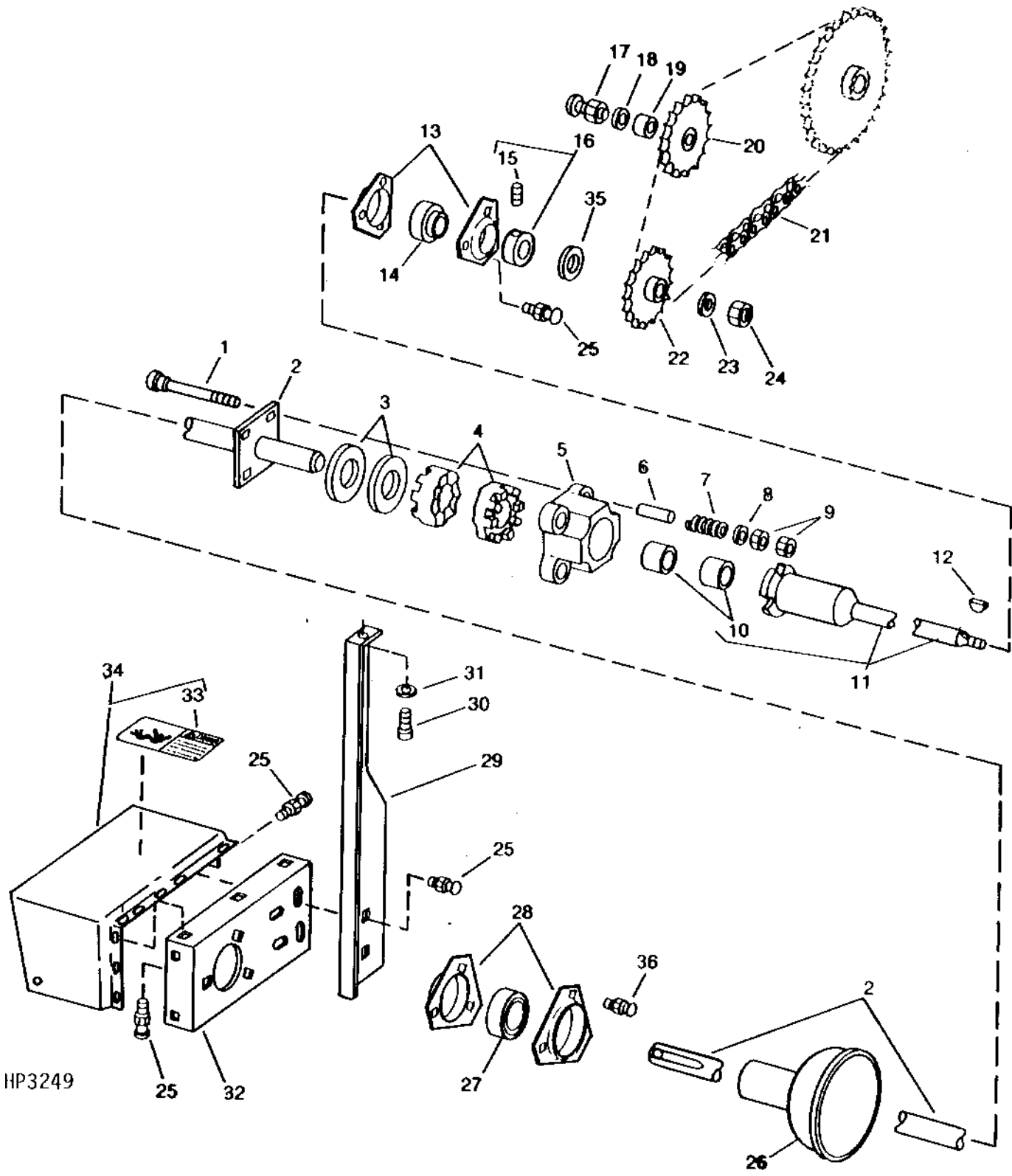
HP6205

CROSS AUGER DRIVE (914 PICKUP PLATFORM) - CONTINUED
(665151-)

KEY	PART NO.	PART NAME	QTY	SERIAL NO.	REMARKS
1	19M7791	SCREW	4		M12 X 40
	14M7401	LOCK NUT	4		M12
2	12M7070	LOCK WASHER	1		20.200 MM
3	A31870	LOCK NUT	1		M20
4	DRIVER	1		
5	G6579E	BUSHING	1		
6	AH147001	DRIVER	1		
7	H99303	WASHER	1		46.736 X 90.424 X 3.404 MM (1.840" X 3.560" X 0.134")
8	H101678	HUB	1		
9	H101677	JAW	1		
10	H109855	SPRING	1		
11	H119710	PLANET PINION CARRIER	1		
12	24M7242	WASHER	1		21.400 X 42 X 5 MM
13	H153817	SHIELD	1		
14	E62951	UNIVERSAL JOINT BEARING	1		
15	AH145816	SHAFT	1		
16	AH147646	SHIELD	1	675101-	
	AH131479	POWERSHAFT SHIELD	1	-675100	
17	H135342	ANGLE	1		
18	03M7190	BOLT	8		M10 X 20, (914)
	14M7296	FLANGE NUT	8		M10
19	24H1305	WASHER	2		13/32" X 13/16" X 0.065"
20	H103265	PRESSED FLANGED HOUSING	2		
21	AN102010	BEARING	1		
22	03M7226	BOLT	1		M12 X 70
	14M7299	FLANGE NUT	1		M12
23	24H1111	WASHER	2		17/32" X 1-1/16" X 0.090"
24	H114395	SPACER	1		
25	AH89429	CHAIN SPROCKET	1		15 TEETH
26	03M7198	BOLT	2		M12 X 30
	14M7299	FLANGE NUT	2		M12
27	H110726	BRACKET	1		
28	LINK CHAIN	1		ROLLER, DRIVE, TYPE 60, 3/4" PITCH, 89 LINKS, (ASSEMBLE FROM AB1288H, AB1289H, AB1290H, (2) B5236H, B5321H AND B5234H)
29	A31870	LOCK NUT	1		M20
30	AH138180	CHAIN SPROCKET	1		13 TEETH
31	24H1266	WASHER	3		1-9/32" X 1-3/4" X 0.060"
32	H87226	BRACKET	4		
33	AH148412	SLIP CLUTCH	1	665101-670100	(SUB AH148523)

C24

CROSS AUGER DRIVE (SIDEHILL)
(PICKUP PLATFORM)
(615251-640500)
HP3249 -UN-01JAN94



HP3249

C25

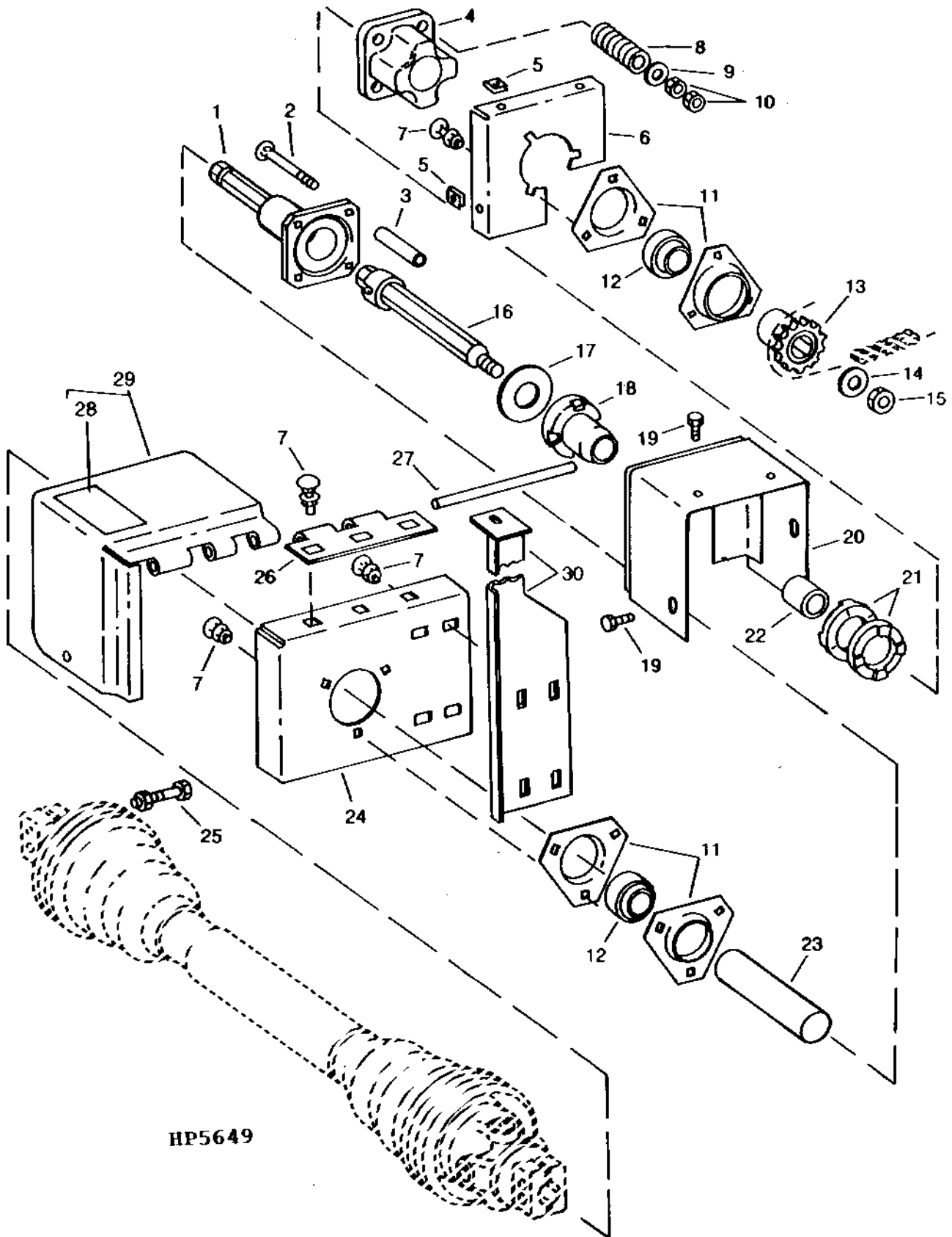
AUGER AND DRIVE

**CROSS AUGER DRIVE (SIDEHILL) - CONTINUED
(PICKUP PLATFORM)
(615251-640500)**

KEY	PART NO.	PART NAME	QTY	SERIAL NO.	REMARKS
1	03H2040	BOLT	4	3/8" X 4-1/4"	
2	AH97284	SHAFT	1		
3	H95034	WASHER	2	29.464 X 87.376 X 0.813 MM (1.160" X 3.440" X 0.032")	
4	Z699H	SLIP CLUTCH	2		
5	H89525	RETAINER	1		
6	H87206	SPACER	4		
7	H77433	SPRING	4		
8	24H1653	WASHER	4	13/32" X 1-1/4" X 0.120"	
9	14H812	NUT	8	3/8"	
10	AR1479R	BUSHING	2		
11	AH97281	SHAFT	1		
12	26H82	SHAFT KEY	1	1/4" X 7/8"	
13	H103265	PRESSED FLANGED HOUSING	2		
14	AH10515	BALL BEARING	1		
15	22H897	SET SCREW	1	1/4" X 1/4"	
16	JD8594	ECCENTRIC LOCKING COLLAR	1		
17	03H1492	BOLT	1	1/2" X 2"	
	E54809	LOCK NUT	1	12.700 MM (1/2")	
18	24H1111	WASHER	1	17/32" X 1-1/16" X 0.090"	
19	H87121	SPACER	1		
20	AN31211	CHAIN SPROCKET	1	15 TEETH	
21	LINK CHAIN	1	ROLLER, DRIVE, TYPE 60, 3/4" PITCH, 89 LINKS, (ASSEMBLE FROM AB1288H, AB1289H, AB1290H, (2) B5235H, B5321H AND B5234H)	
22	AH87945	CHAIN SPROCKET	1	13 TEETH	
23	24H1399	WASHER	1	25/32" X 1-5/8" X 0.180"	
24	P47368	LOCK NUT	1	19.050 MM (3/4")	
25	03H1765	BOLT	10	3/8" X 3/4"	
	N10215	LOCK NUT	10	9.525 MM (3/8")	
26	H88092	SHIELD	1		
27	AN102010	BEARING	1		
28	H103265	PRESSED FLANGED HOUSING	2		
29	AH90791	SUPPORT	1		
30	H76139	SCREW	1	7.938 X 19.050 MM (5/16" X 3/4")	
31	24H1136	WASHER	1	11/32" X 11/16" X 0.065"	
32	H134082	BRACKET	1		
33	E74026	DECAL	1	"DANGER" (DRIVE SHAFT) (SUB E82514)	
34	H134062	SHIELD	1	R.H.	
	H134063	SHIELD	1	L.H.	
35	24H1266	WASHER	1	1-9/32" X 1-3/4" X 0.060"	
36	19H1936	CAP SCREW	3	3/8" X 3/4"	
	N10215	LOCK NUT	3	9.525 MM (3/8")	

D1

CROSS AUGER DRIVE (SIDEHILL)
(PICKUP PLATFORM)
(645301-655300)
HP5649 -UN-01JAN94



HP5649

D2

AUGER AND DRIVE

**CROSS AUGER DRIVES (SIDEHILL)
(PICKUP PLATFORM)
(645301-655300)**

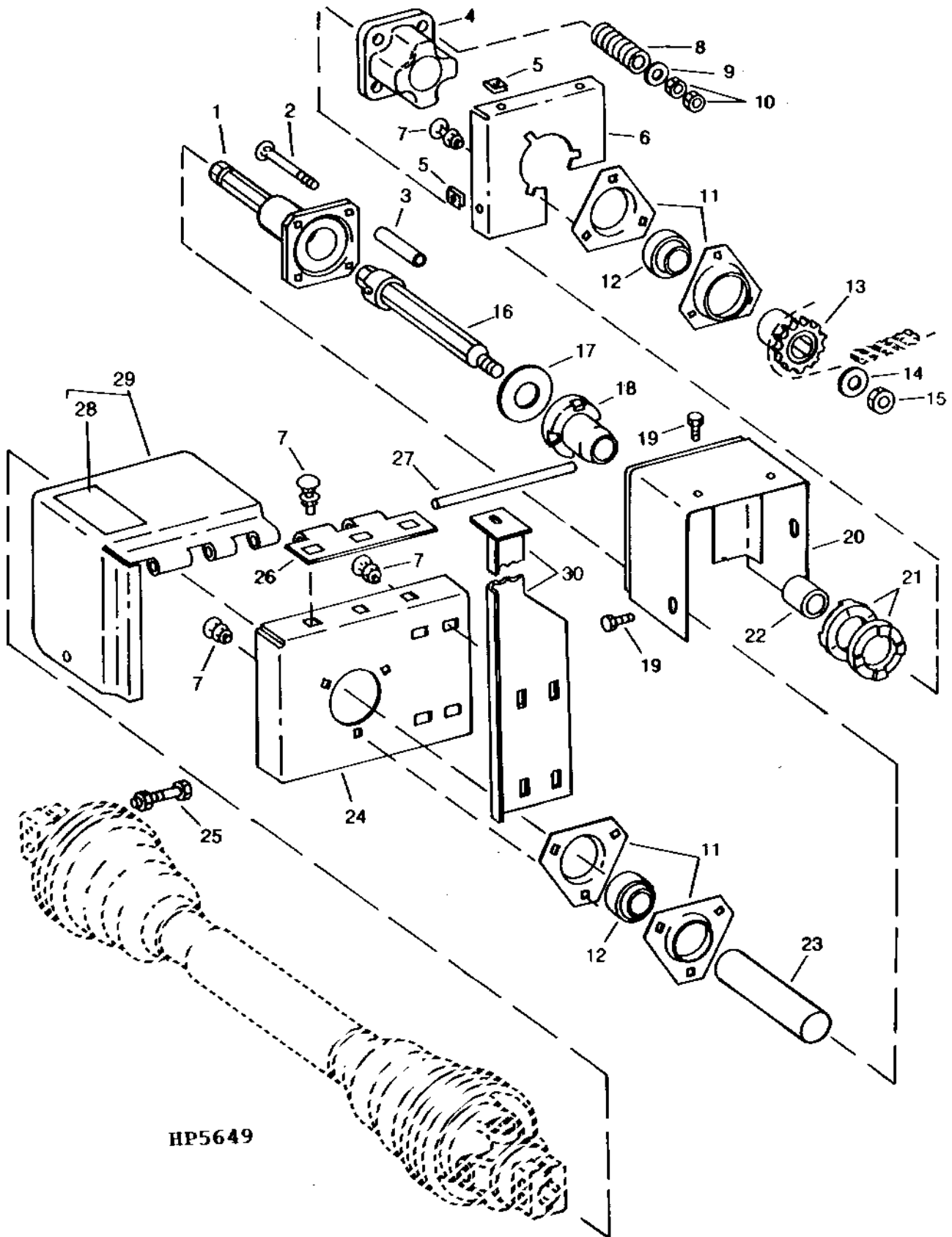
KEY	PART NO.	PART NAME	QTY	SERIAL NO.	REMARKS
1	AH141157	SHAFT	1		
2	03H2040	BOLT	4	3/8" X 4-1/4"	
3	H87206	SPACER	4	10.338 X 15.875 X 76.200 MM (0.407" X 5/8" X 3")	
4	H89525	RETAINER	1		
5	P41706	NUT	3	6.350 MM (1/4")	
6	H137054	BRACKET	1		
7	03H1765	BOLT	10	3/8" X 3/4"	
	E55662	FLANGE NUT	10	9.525 MM (3/8")	
8	H77433	SPRING	4		
9	24H1653	WASHER	4	13/32" X 1-1/4" X 0.120"	
10	H86656	LOCK NUT	8	9.525 MM (3/8")	
11	H103265	PRESSED FLANGED HOUSING	4		
12	AN102010	BEARING	2		(NO LONGER AVAILABLE)
13	AH138180	CHAIN SPROCKET	1		
14	24H1399	WASHER	1	25/32" X 1-5/8" X 0.180"	
15	W29648	LOCK NUT	1	19.050 MM (3/4")	
16	AH132700	SHAFT	1		
17	H89524	WASHER	1	45.237 X 88.900 X 2.005 MM (1-25/32" X 3-1/2" X 0.079")	
18	H135241	FORGING	1		
19	19H1919	CAP SCREW	3	1/4" X 5/8"	
20	AH136664	SHIELD	1		
21	H136032	SLIP CLUTCH	2		
22	H153595	SPACER	1		
23	H147659	HOSE	1		
24	H147547	BRACKET	1		
25	19M7817	SCREW	4	M12 X 70	
	14M7401	LOCK NUT	4	M12	
26	H147245	HINGE	1		
27	H99025	DOWEL PIN	1	12.700 X 1 663.700 MM (1/2" X 65-1/2")	
28	E82514	LABEL	1		DRIVE LINE ENTANGLEMENT
29	AH141293	SHIELD	1		R.H.
30	AH141172	ANGLE	1		R.H.

BH80271 (COMPLETE GOODS) 914 BPU SIDEHILL
BH79986 (COMPLETE GOODS) 15' UPRIGHTS CONVERSION

D3

CROSS AUGER DRIVE (SIDEHILL) (PICKUP PLATFORM)

(655301-)
HP5649 -UN-01JAN94



D4

AUGER AND DRIVE

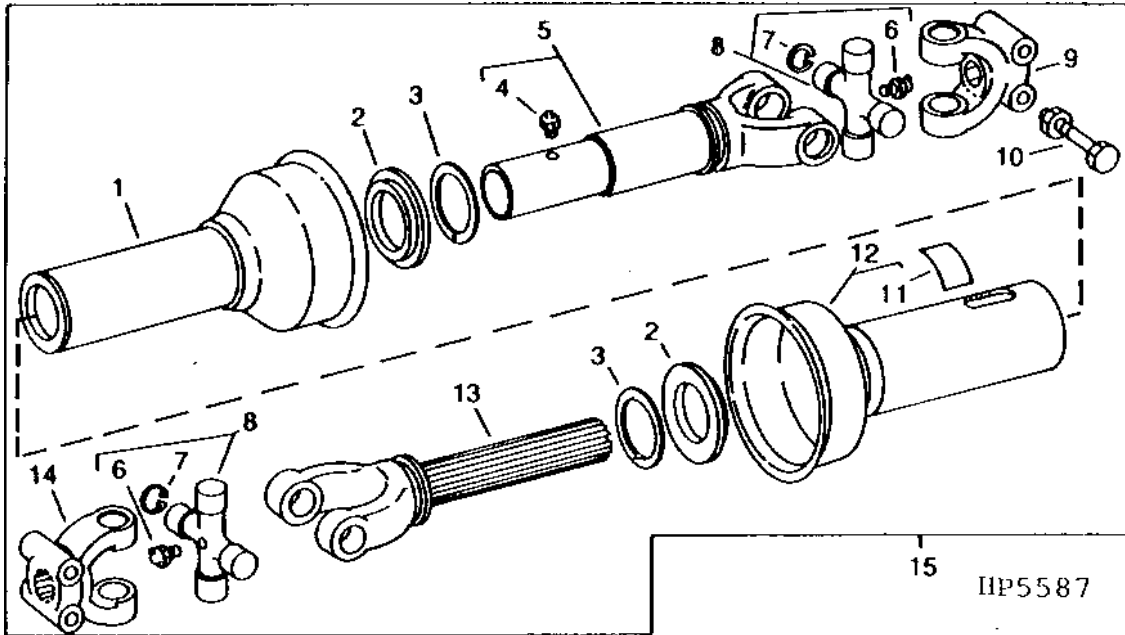
**CROSS AUGER DRIVE (SIDEHILL) - CONTINUED
(PICKUP PLATFORM)
(655301-)**

KEY	PART NO.	PART NAME	QTY	SERIAL NO.	REMARKS
1	AH141157	SHAFT	1		
2	03H2040	BOLT	4		3/8" X 4-1/4"
3	H87206	SPACER	4		10.338 X 15.875 X 76.200 MM (0.407" X 5/8" X 3")
4	H89525	RETAINER	1		
5	M84972	NUT	3		6 MM (0.236")
6	H137054	BRACKET	1		
7	03M7190	BOLT	10		M10 X 20
	14M7296	FLANGE NUT	10		M10
8	H77433	SPRING	4		
9	24H1653	WASHER	4		13/32" X 1-1/4" X 0.120"
10	H148345	LOCK NUT	8		M10
11	H103265	PRESSED FLANGED HOUSING	4		
12	AN102010	BEARING	2		(NO LONGER AVAILABLE)
13	AH138180	CHAIN SPROCKET	1		
14	24H1399	WASHER	1		25/32" X 1-5/8" X 0.180"
15	A31870	LOCK NUT	1		M20
16	AH142270	SHAFT	1	-656049	(SUB AH145846)
	AH145846	SHAFT	1		255.5 MM
17	H89524	WASHER	1		45.237 X 88.900 X 2.005 MM (1-25/32" X 3-1/2" X 0.079")
18	H135241	FORGING	1		
19	19M7775	SCREW	3		M6 X 16
20	AH136664	SHIELD	1		
21	H136032	SLIP CLUTCH	2		
22	H153595	SPACER	1		
23	H147659	HOSE	1		
24	H147547	BRACKET	1		
25	19M7817	SCREW	4		M12 X 70
	14M7401	LOCK NUT	4		M12
26	H147245	HINGE	1		
27	H99025	DOWEL PIN	1		12.700 X 1 663.700 MM (1/2" X 65-1/2")
28	E82514	LABEL	1		DRIVE LINE ENTANGLEMENT
29	AH141293	SHIELD	1		R.H.
30	AH141172	ANGLE	1		R.H.

BH80271 (COMPLETE GOODS) 914 BPU SIDEHILL

D5

MAIN DRIVE SHAFT
 (645251-)
 HP5587 -UN-01JAN94



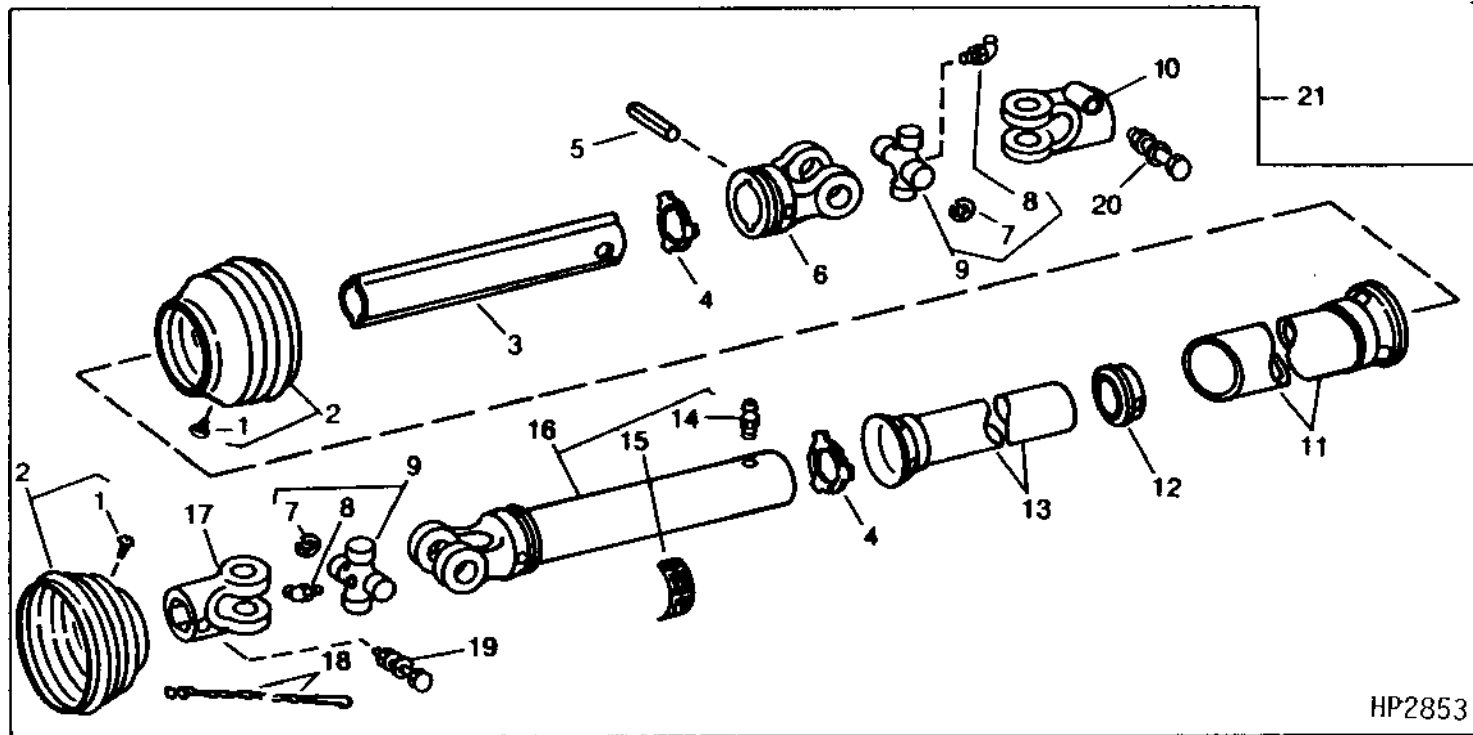
KEY	PART NO.	PART NAME	QTY	SERIAL NO.	REMARKS
1	AH141247	POWERSHAFT SHIELD	1		
2	BEARING	2		(SUB AE50072)
3	SNAP RING	2		(SUB AE50072)
4	JD7842	LUBRICATION FITTING	1		
5	AH141246	YOKE, WITH TUBE	1		
6	JD7760	LUBRICATION FITTING	2		
7	BP12946	SNAP RING	2		
8	AE23516	CROSS AND BEARING ASSEMBLY	2		
9	AH141248	UNIVERSAL JOINT YOKE	1	-675258	HEX BORE
	H164774	YOKE	1	675259-	HEX BORE
10	19M7817	SCREW	4		M12 X 70
	14M7401	LOCK NUT	4		M12
11	H147485	LABEL	1		
12	AH141245	POWERSHAFT SHIELD	1		
13	AH141244	YOKE, WITH SHAFT	1		
14	AH141243	UNIVERSAL JOINT YOKE	1	-675258	SPLINE BORE
	H164775	UNIVERSAL JOINT YOKE	1	675259-	SPLINE BORE
15	AH141139	UNIVERSAL DRIVESHAFT	1		
..	AE50072	BEARING KIT	2		

BH80271 (COMPLETE GOODS) 914 BPU SIDEHILL
 BH79709 (COMPLETE GOODS) 9500SH DRIVE (914 BPU ONLY)

D6

AUGER AND DRIVE

HEADER DRIVE SHAFT - SIDEHILL
WALTERSCHEID
(615251-640500)
HP2853 -UN-01JAN94



KEY	PART NO.	PART NAME	QTY	SERIAL NO.	REMARKS
1	23H117	SCREW	2		0.164" X 3/8"
2	AH122922	POWERSHAFT SHIELD	2		
3	H126502	SHAFT	1	-636200	(SUB AH119746)
4	W36510	RING	2		
5	34M6446	SPRING PIN	1		10 X 75 MM
6	H126500	YOKE	1	-636200	(SUB AH119746)
7	40M7077	SNAP RING	8		
8	58M5577	LUBRICATION FITTING	2		
9	AH115426	UNIVERSAL JOINT BEARING	2		
10	H126498	YOKE	1	-636200	(SUB AH119746)
11	AH121565	POWERSHAFT SHIELD	1		
12	W36512	BEARING	1		
13	AH121566	POWERSHAFT SHIELD	1		
14	M87259	LUBRICATION FITTING	1		
15	H129222	LABEL	1		
16	AH121564	YOKE, WITH TUBE	1		
17	H126499	YOKE	1	-636200	(SUB AH119746)
18	AW24500	LINK CHAIN	1		
19	19H1907	CAP SCREW	1		5/16" X 2-3/4"
	12H303	LOCK WASHER	1		5/16"
	14H785	NUT	1		5/16"
20	19H1820	CAP SCREW	1		1/2" X 3"
	12H301	LOCK WASHER	1		1/2"
	14H809	NUT	1		1/2"
21	AH119746	UNIVERSAL DRIVESHAFT	1		

NOTE: QUANTITIES SHOWN ARE FOR ONE UNIT. TWO UNITS USED PER MACHINE.

D7

METRIC KEY STOCK KIT

KEY	PART NO.	PART NAME	QTY	SERIAL NO.	REMARKS
..	SHAFT KEY	3		5 X 305MM SQUARE (IN AH141142 KEY STOCK KIT) (CUT FROM H150267)
..	SHAFT KEY	3		6 X 305MM SQUARE (IN AH141142 KEY STOCK KIT) (CUT FROM H150268)
..	SHAFT KEY	1		8 X 305MM SQUARE (IN AH141142 KEY STOCK KIT) (CUT FROM H150275)
..	SHAFT KEY	2		8 X 7 X 305MM RECTANGULAR (IN AH141142 KEY STOCK KIT) (CUT FROM H150269)
..	SHAFT KEY	1		10 X 8 X 305 MM RECTANGULAR (IN AH141142 KEY STOCK KIT) (CUT FROM H150270)
..	SHAFT KEY	1		12 X 8 X 305MM RECTANGULAR (IN AH141142 KEY STOCK KIT) (CUT FROM H150271)
..	SHAFT KEY	1		14 X 8 X 305MM RECTANGULAR (IN AH141142 KEY STOCK KIT) (CUT FROM H150272)
..	AH141142	SHAFT KEY	1		

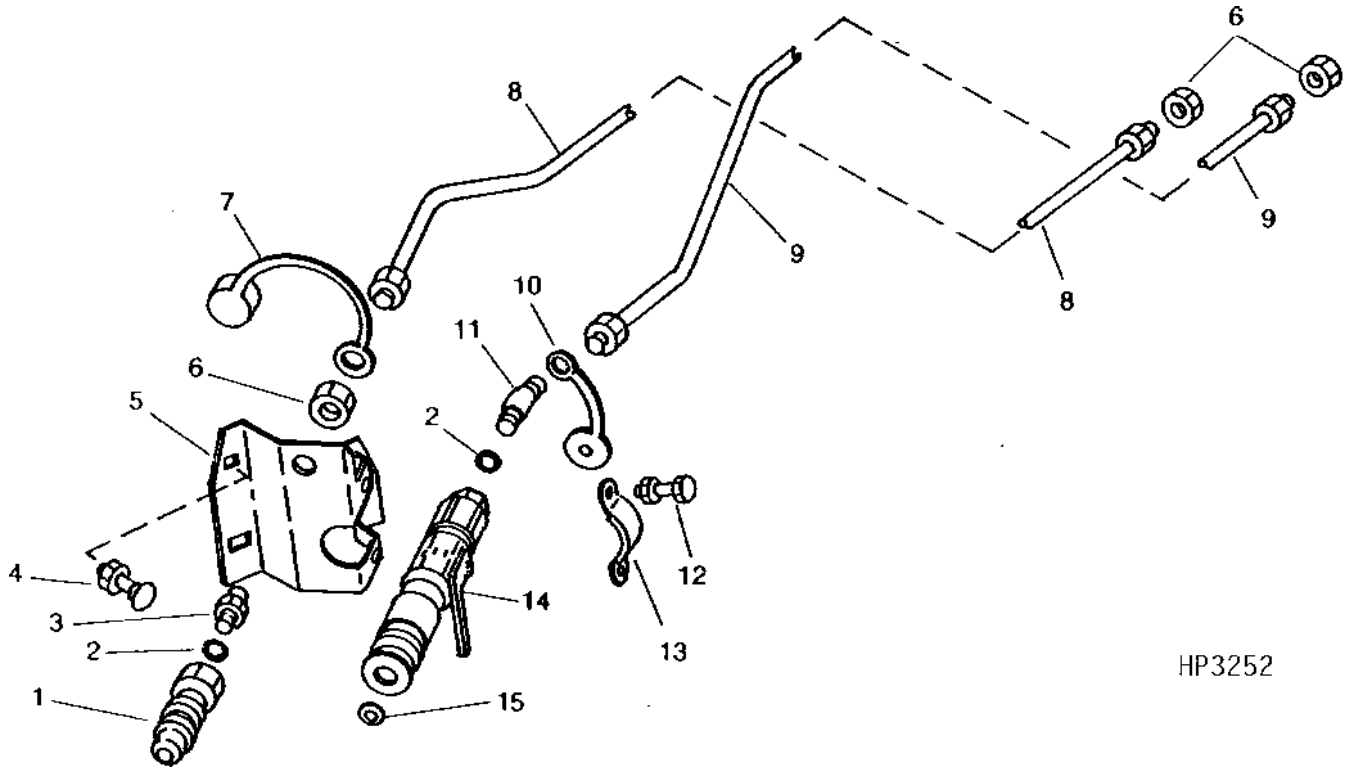
MEMORANDA

D9

HYDRAULIC LINES AND BRACKET, PICKUP DRIVE

(-655150)

HP3252 -UN-01JAN94



HP3252

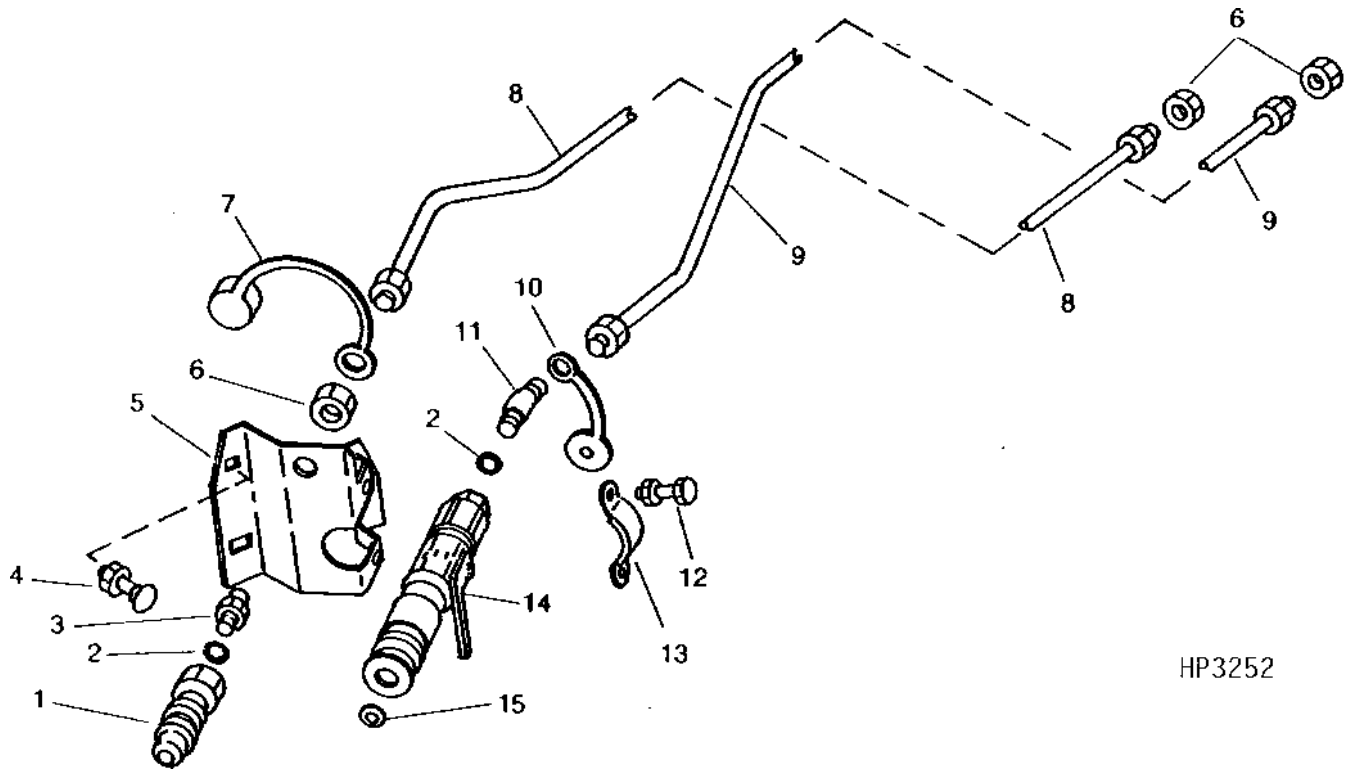
KEY	PART NO.	PART NAME	QTY	SERIAL NO.	REMARKS
1	AR94522	INTERNAL HALF COUPLER	1		
2	R26375	O-RING	2		16.358 X 2.210 MM (0.644" X 0.087")
3	H115890	UNION FITTING	1		
4	03H1540	BOLT	3		5/16" X 3/4"
	A22698	NUT	3		7.925 MM (5/16") (FLANGE)
5	H128039	BRACKET	1		
6	14H904	NUT	3		3/4"
7	A15898	CAP	1		
8	AH130473	OIL LINE	1		(912) (PRESSURE)
	AH130474	OIL LINE	1		(914) (PRESSURE)
9	AH130471	OIL LINE	1		(912) (RETURN)
	AH130472	OIL LINE	1		(914) (RETURN)
10	H125403	PLUG	1		
11	AT35599	ELBOW FITTING	1		
12	19H1948	CAP SCREW	2		1/4" X 3/4"
	N10217	LOCK NUT	2		6.350 MM (1/4") (FLANGE)
13	H117229	YOKE	1		
14	AH128241	HYD. QUICK-CONNECT COUPLER	1		
15	R21722	O-RING	1		20.218 X 3.531 MM (0.796" X 0.139")

D10

HYDRAULICS

HYDRAULIC LINES AND BRACKET, PICKUP DRIVE

(655151-)
HP3252 -UN-01JAN94



HP3252

KEY	PART NO.	PART NAME	QTY	SERIAL NO.	REMARKS
1	AR94522	INTERNAL HALF COUPLER	1		
2	R26375	O-RING	2		16.358 X 2.210 MM (0.644" X 0.087")
3	H115890	UNION FITTING	1		
4	03M7184	BOLT	3		M8 X 20
	14M7298	FLANGE NUT	3		M8 (FLANGE)
5	H128039	BRACKET	1		
6	14H904	NUT	3		3/4"
7	A15898	CAP	1		
8	AH130473	OIL LINE	1		(912) (PRESSURE)
	AH130474	OIL LINE	1		(914) (PRESSURE)
9	AH130471	OIL LINE	1		(912) (RETURN)
	AH130472	OIL LINE	1		(914) (RETURN)
10	H125403	PLUG	1		
11	AT35599	ELBOW FITTING	1		
12	19M7862	SCREW	2		M6 X 20
	14M7303	FLANGE NUT	2		M6 (FLANGE)
13	H117229	YOKE	1		
14	AH128241	HYD. QUICK-CONNECT COUPLER	1		
15	R21722	O-RING	1		20.218 X 3.531 MM (0.796" X 0.139")

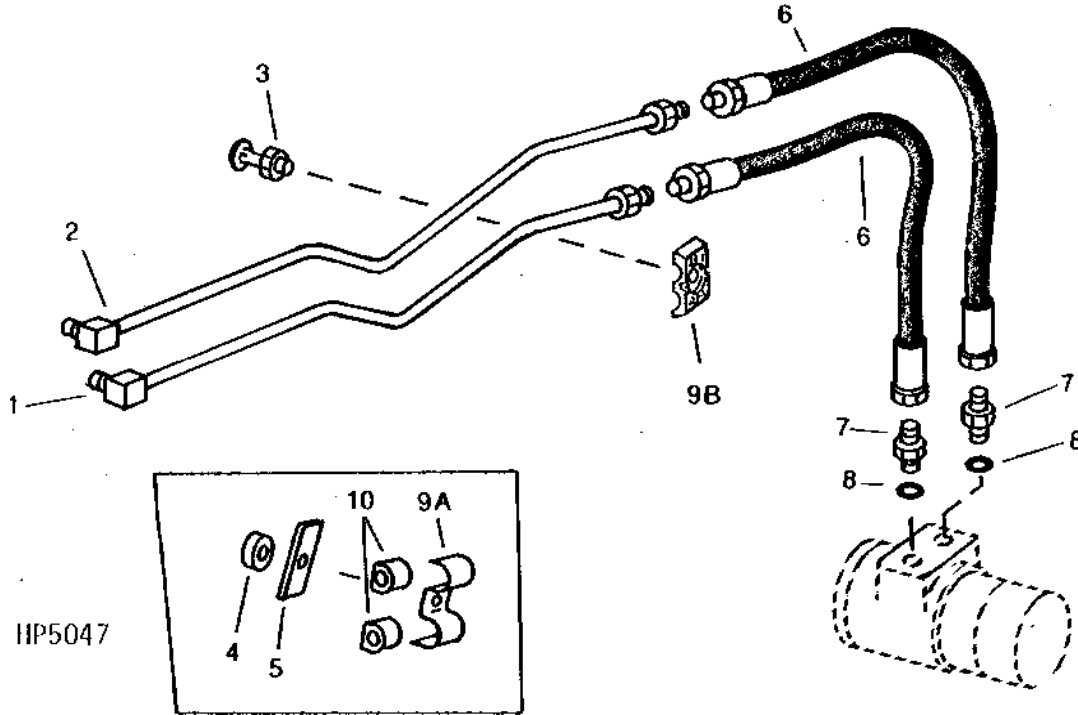
D11

HYDRAULICS

HYDRAULIC LINES AND HOSES, PICKUP DRIVE

(-655150)

HP5047 -UN-01JAN94



HP5047

KEY	PART NO.	PART NAME	QTY	SERIAL NO.	REMARKS
1	AH111274	OIL TUBE	1		(LOWER) (PRESSURE)
2	AH111273	LINE	1		(UPPER) (RETURN)
3	03H1937	BOLT	1	-640160	5/16" X 1-1/4"
	N10213	LOCK NUT	1	-640160	7.925 MM (5/16")
	03H1505	BOLT	1	640161-	5/16" X 1-3/4"
	24H1347	WASHER	1	640161-	17/32" X 2" X 0.194"
4	A22698	NUT	1	640161-	7.925 MM (5/16")
	H77507	WASHER	1	-640160	10.312 X 38.100 X 7.925 MM (13/32" X 1-1/2" X 5/16")
5	H97280	STRAP	1	-640160	
6	AH83833	HYDRAULIC HOSE	2		3/4" X 864 MM (34") X 7/8", (132")
	AH90797	HYDRAULIC HOSE	2		3/4" X 660 MM (26") X 7/8", (154")
7	R27270	FITTING	2		
8	R26906	O-RING	2		19.177 X 2.464 MM (0.755" X 0.097")
9A	H87266	CLAMP	1	-640160	
9B	H135156	CLAMP	2	640161-	
10	H22979	BUSHING	2	-640160	

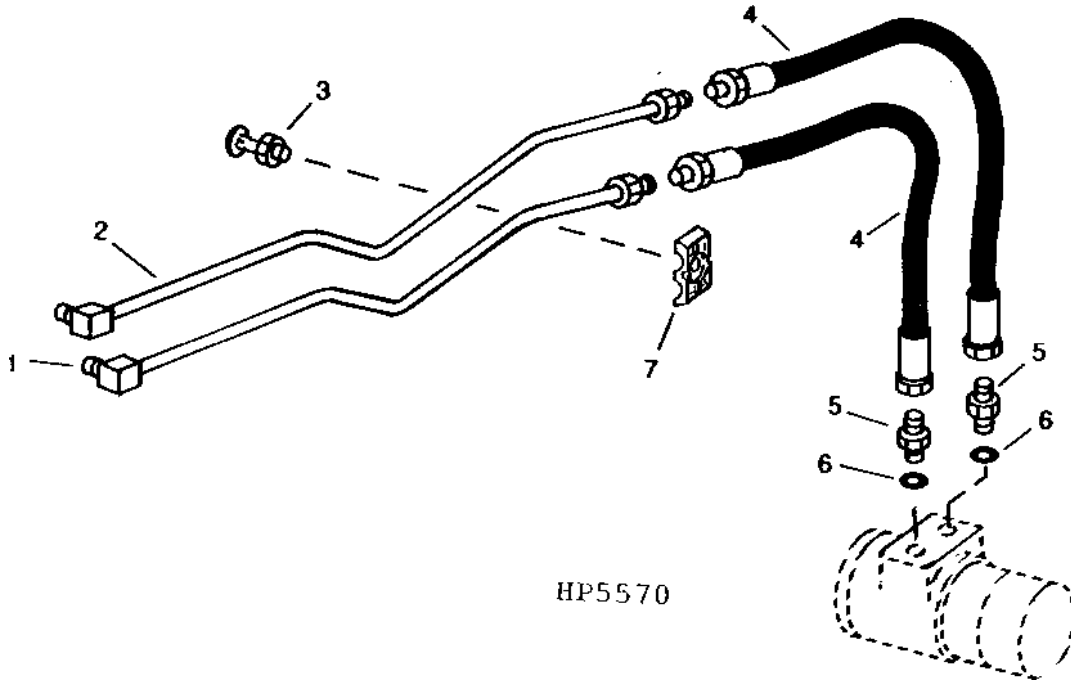
BH76144 (COMPLETE GOODS) HOSE ASSEMBLY
 BH71991 (COMPLETE GOODS) PU ATTACHMENT PARTS
 BH71992 (COMPLETE GOODS) BELT PU ATTACHMENT PARTS
 BH79870 (COMPLETE GOODS) PARTS ASSEMBLY - BAG OF

D12

HYDRAULICS

HYDRAULIC LINES AND HOSES, PICKUP DRIVE

(655151-)
HP5570 -UN-01JAN94



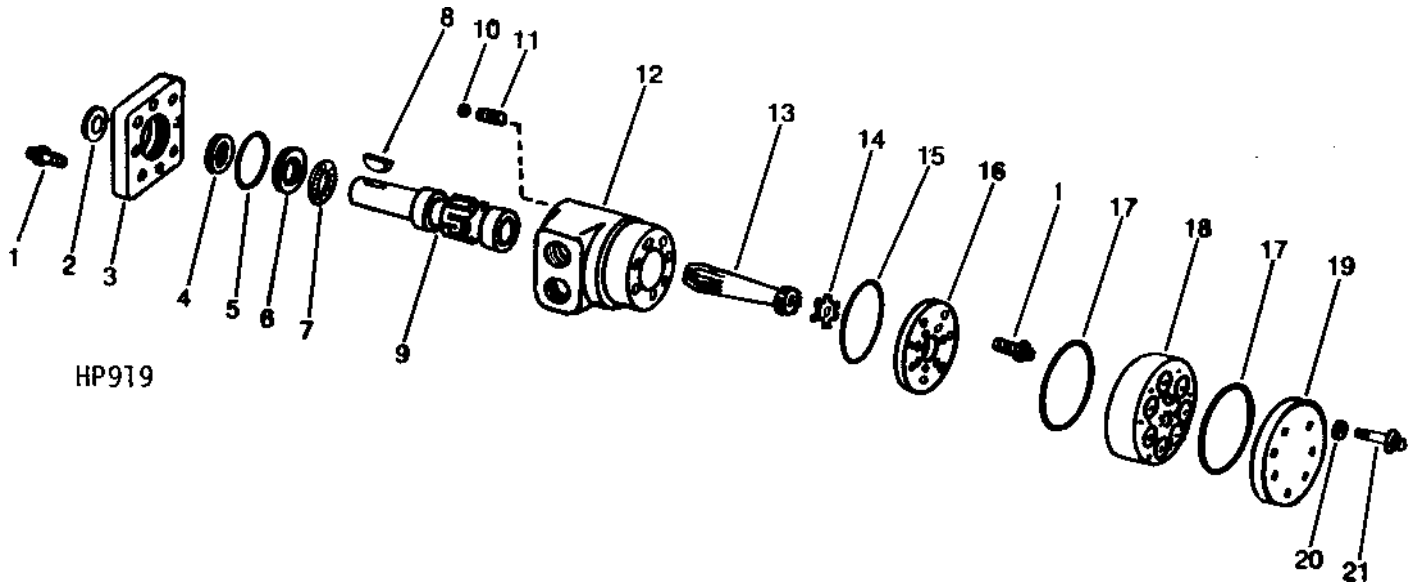
KEY	PART NO.	PART NAME	QTY	SERIAL NO.	REMARKS
1	AH111274	OIL TUBE	1		(LOWER) (PRESSURE)
2	AH111273	LINE	1		(UPPER) (RETURN)
3	03M7189	BOLT	1		M8 X 45
	24H1347	WASHER	1		17/32" X 2" X 0.194"
	14M7298	FLANGE NUT	1		M8
4	AH83833	HYDRAULIC HOSE	2		3/4" X 864 MM (34") X 7/8", (132")
	AH90797	HYDRAULIC HOSE	2		3/4" X 660 MM (26") X 7/8", (154")
5	R27270	FITTING	2		
6	R26906	O-RING	2		19.177 X 2.464 MM (0.755" X 0.097")
7	H135156	CLAMP	1		

BH76144 (COMPLETE GOODS) HOSE ASSEMBLY
 BH71991 (COMPLETE GOODS) PU ATTACHMENT PARTS
 BH71992 (COMPLETE GOODS) BELT PU ATTACHMENT PARTS
 BH79870 (COMPLETE GOODS) PARTS ASSEMBLY - BAG OF

D13

HYDRAULICS

HYDRAULIC DRIVE MOTOR
(IDENTIFICATION NO. 103-1291-008)
(-625900)
HP919 -UN-01JAN94



HP919

KEY	PART NO.	PART NAME	QTY	SERIAL NO.	REMARKS
1	N132503	BOLT	11		7.925 X 22.225 MM (5/16" X 7/8")
2	N170849	SEAL	1		(A)
3	N170838	PLATE	1		
4	N170847	SEAL	1		(A)
5	O-RING	1		(A)
6	N170873	BEARING RACE	1		
7	N170871	THRUST BEARING	1		
8	26H22	SHAFT KEY	1		1/4" X 1"
9	N170840	SHAFT	1		
10	O-RING	2		(A)
11	H113834	PLUG	2		
12	HOUSING	1		(ORDER AH104149)
13	B30376	DRIVE	1		
14	H89188	SPACER	1		
15	O-RING	1		(A)
16	H106807	SPACER	1		
17	O-RING	2		(A)
18	AH105844	GEAR	1		
19	H106806	SEAL KIT	1		
20	H89189	WASHER	7	-625900	(A) 8.128 X 11.176 X 1.219 MM (0.320" X 0.440" X 0.048") (SUB T124356)
	T124356	WASHER	7		(A) (INCLUDED IN AT69938 SEAL KIT)
21	B30377	CAP SCREW	7		7.925 X 38.100 MM (5/16" X 1-1/2")
..	AH104149	MOTOR	1		(IDENTIFICATION NO. 103-1291-008)
KIT LISTED BELOW CONSISTS OF ALL PARTS IDENTIFIED BY AN (A):					
..	AH105846	SEAL KIT	1		(USE TO REPAIR AH104149 MOTOR)

MEMORANDA

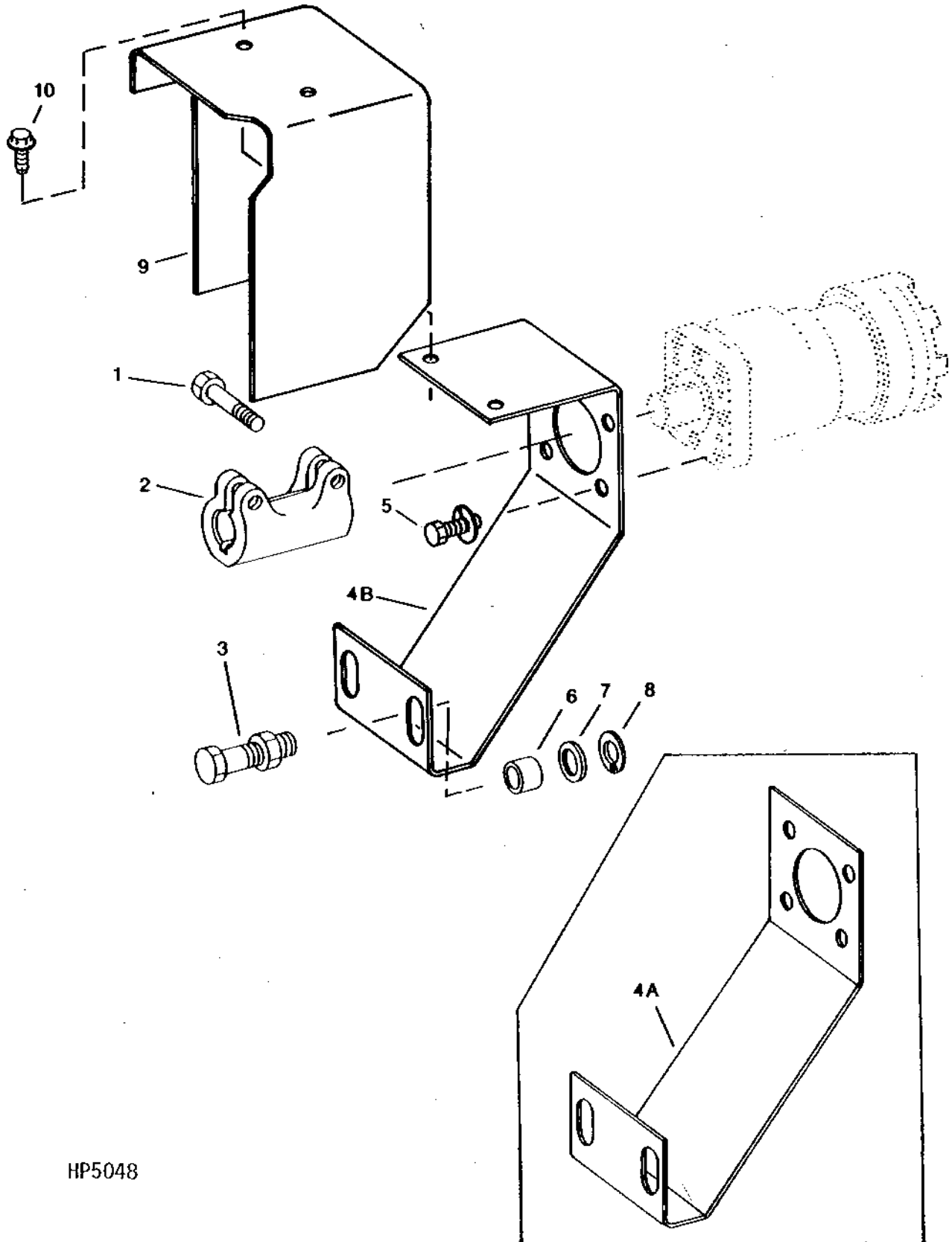
D14

HYDRAULICS

HYDRAULIC MOTOR MOUNTING BRACKET AND COUPLER

(-655150)

HP5048 -UN-01JAN94



HP5048

D15

HYDRAULICS

HYDRAULIC MOTOR MOUNTING BRACKET AND COUPLER - CONTINUED
(-655150)

KEY	PART NO.	PART NAME	QTY	SERIAL NO.	REMARKS
1	19H1765	CAP SCREW	1		3/8" X 1-3/4"
2	H101596	COUPLING	1		
3	19H1801	CAP SCREW	2		3/8" X 2"
	14H812	NUT	2		3/8"
4A	H85041	BRACKET	1	-640100	
4B	H141254	BRACKET	1	640101-	
5	19H1936	CAP SCREW	4		3/8" X 3/4"
	12H304	LOCK WASHER	4		3/8"
6	28H2547	SPACER	2		0.423" X 0.675" X 1"
7	24H1305	WASHER	2		13/32" X 13/16" X 0.065"
8	12H304	LOCK WASHER	2		3/8"
9	H141255	SHIELD	1	640101-	
10	H65108	SCREW	2	640101-	7.938 X 12.700 MM (5/16" X 1/2")

BH79213 (COMPLETE GOODS) BRACKET AND SHIELD ASSEMBLY - PU DRIVE

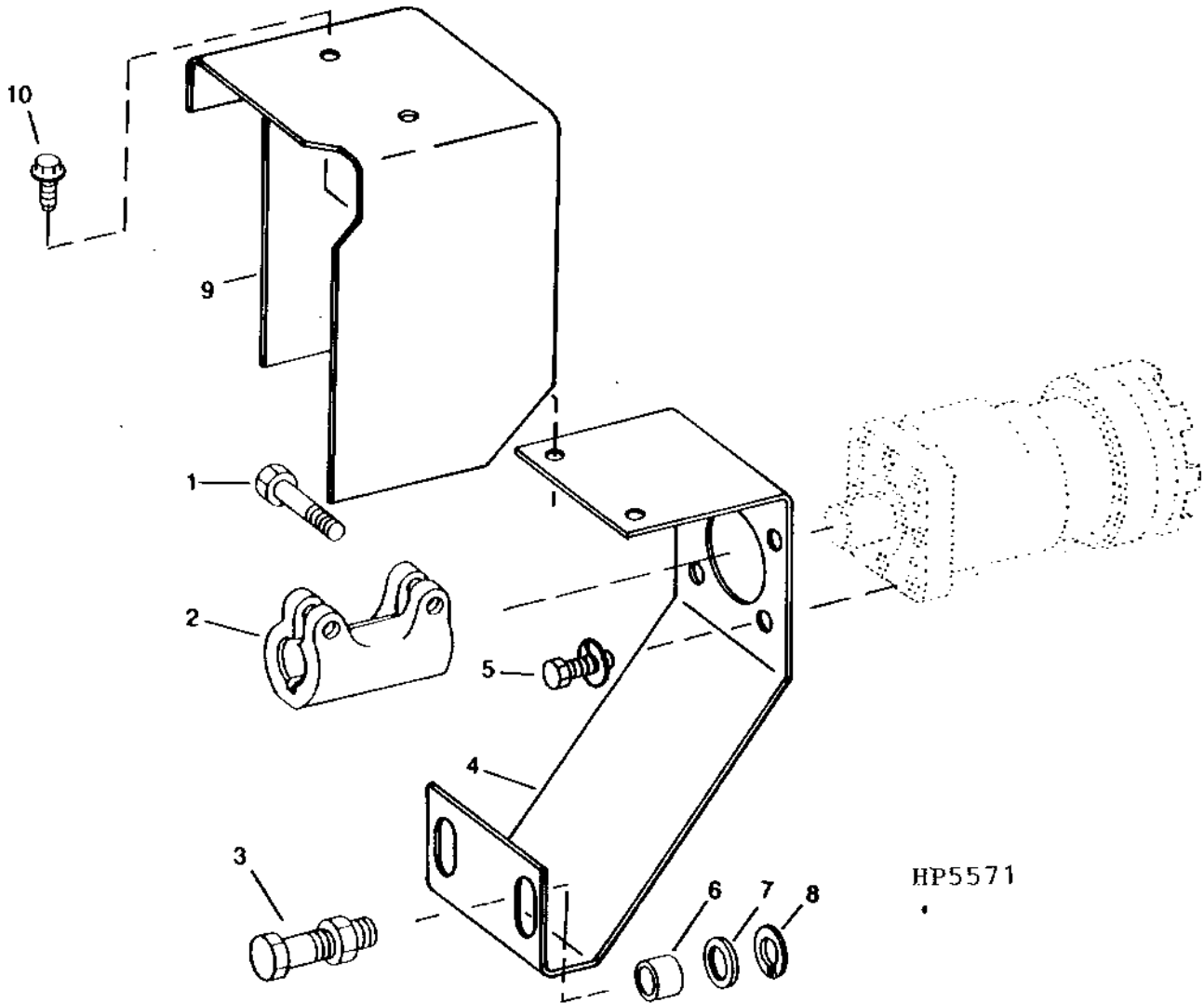
BH71994 (COMPLETE GOODS) BPU DRIVE PARTS

D16

HYDRAULICS

HYDRAULIC MOTOR MOUNTING BRACKET AND COUPLER

(655151-)
HP5571 -UN-01JAN94



HP5571

D17

HYDRAULICS

HYDRAULIC MOTOR MOUNTING BRACKET AND COUPLER - CONTINUED
(655151-)

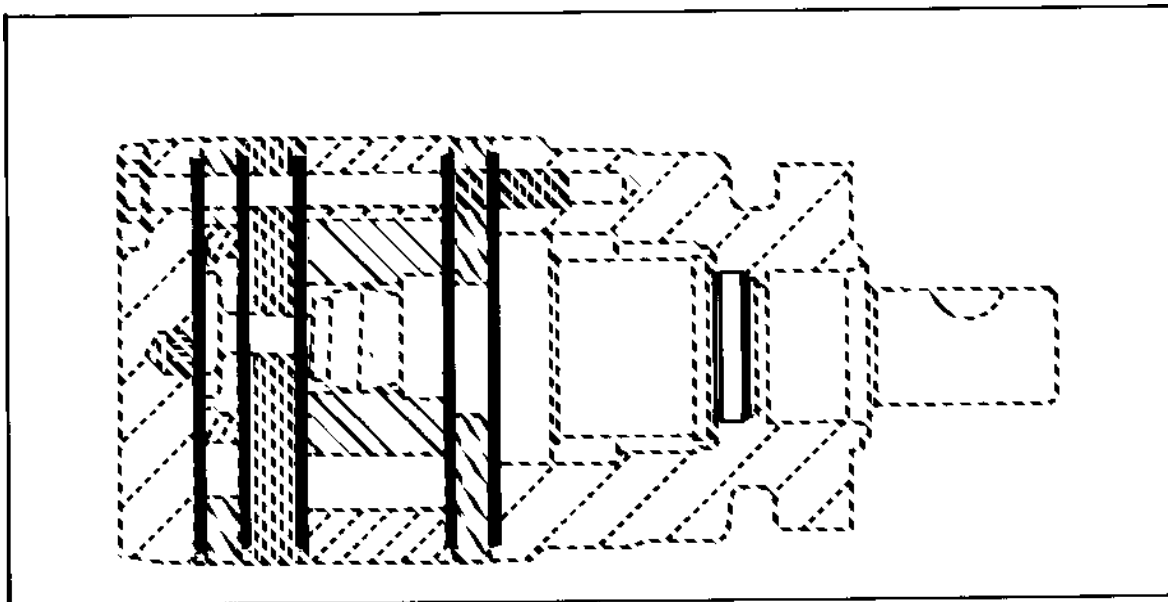
KEY	PART NO.	PART NAME	QTY	SERIAL NO.	REMARKS
1	19M8162	CAP SCREW	2	M10 X 40	
2	H147690	COUPLING	1		
3	19M7806	SCREW	2	M10 X 50	
	14M7274	NUT	2	M10	
4	H141254	BRACKET	1		
5	19H1936	CAP SCREW	4	3/8" X 3/4"	
	12H304	LOCK WASHER	4	3/8"	
6	28H2547	SPACER	2	0.423" X 0.675" X 1"	
7	24H1305	WASHER	2	13/32" X 13/16" X 0.065"	
8	12H304	LOCK WASHER	2	3/8"	
9	H141255	SHIELD	1		
10	37M7083	SCREW	2	M8 X 12	

BH79213 (COMPLETE GOODS) BRACKET AND SHIELD ASSEMBLY - PU DRIVE

BH71994 (COMPLETE GOODS) BPU DRIVE PARTS

D18

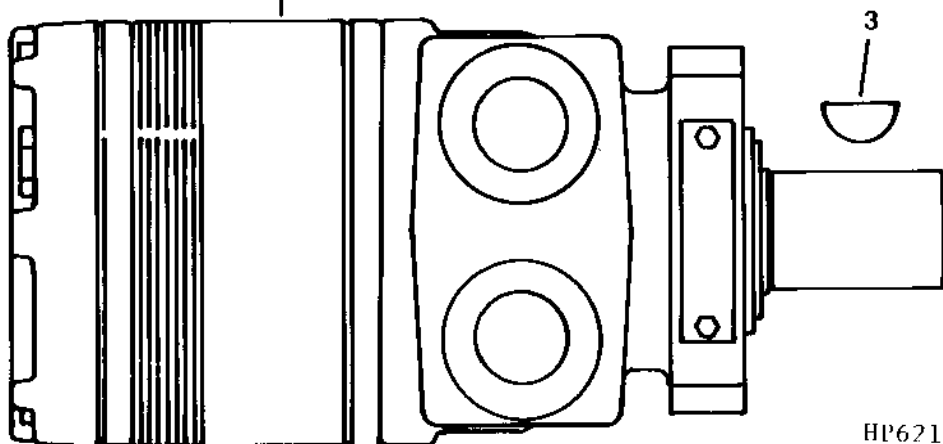
REEL MOTOR (TRW ROSS)
(-655290)
HP6213 -UN-06DEC95



2



1



HP6213

D19

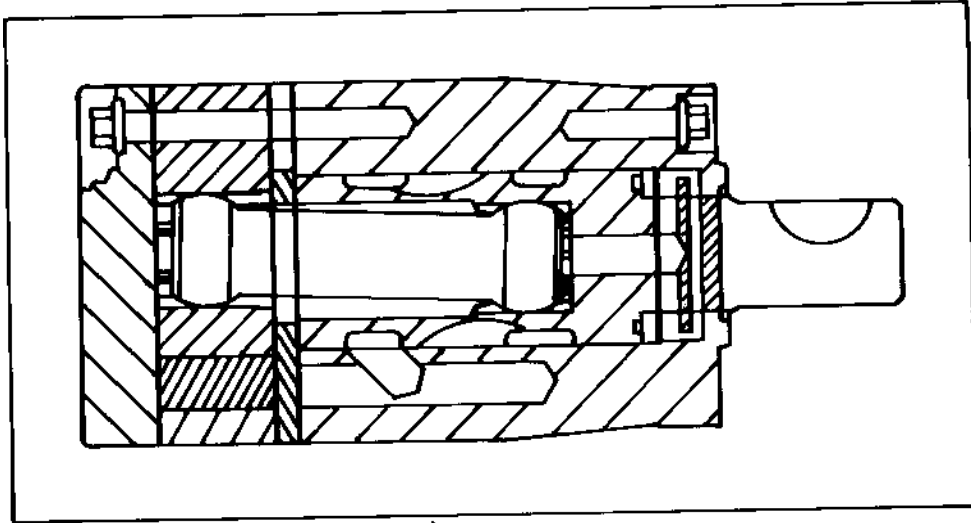
HYDRAULICS

REEL MOTOR (TRW ROSS) - CONTINUED
(-655290)

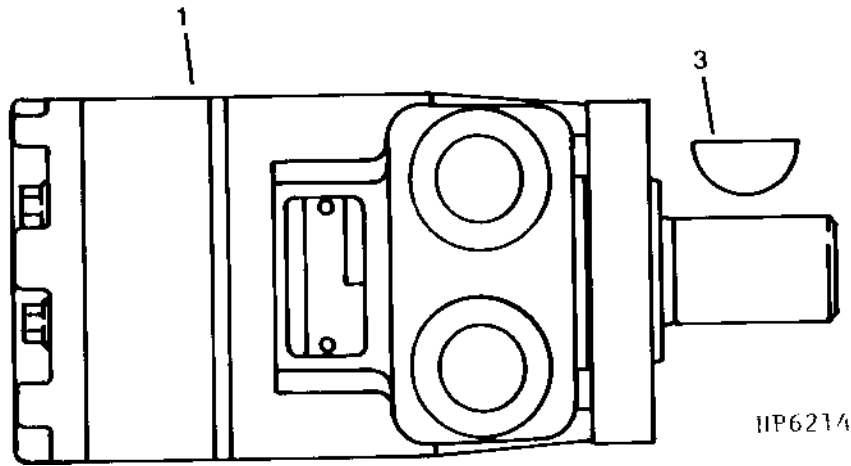
KEY	PART NO.	PART NAME	QTY	SERIAL NO.	REMARKS
1	AH127887	MOTOR	1	(SUB AH141858)	
2	AH131089	SEAL KIT	1		
3	26H22	SHAFT KEY	1		
BH78439 (COMPLETE GOODS) MOTOR ASSEMBLY - HYDRAULIC BPU					
BH71994 (COMPLETE GOODS) BPU DRIVE PARTS					
6.350 X 25.400 MM (1/4" X 1") WOODRUFF					

D20

REEL MOTOR (EATON)
(655291-)
HP6214 -UN-06DEC95



2



1

3

HP6214

D21

HYDRAULICS

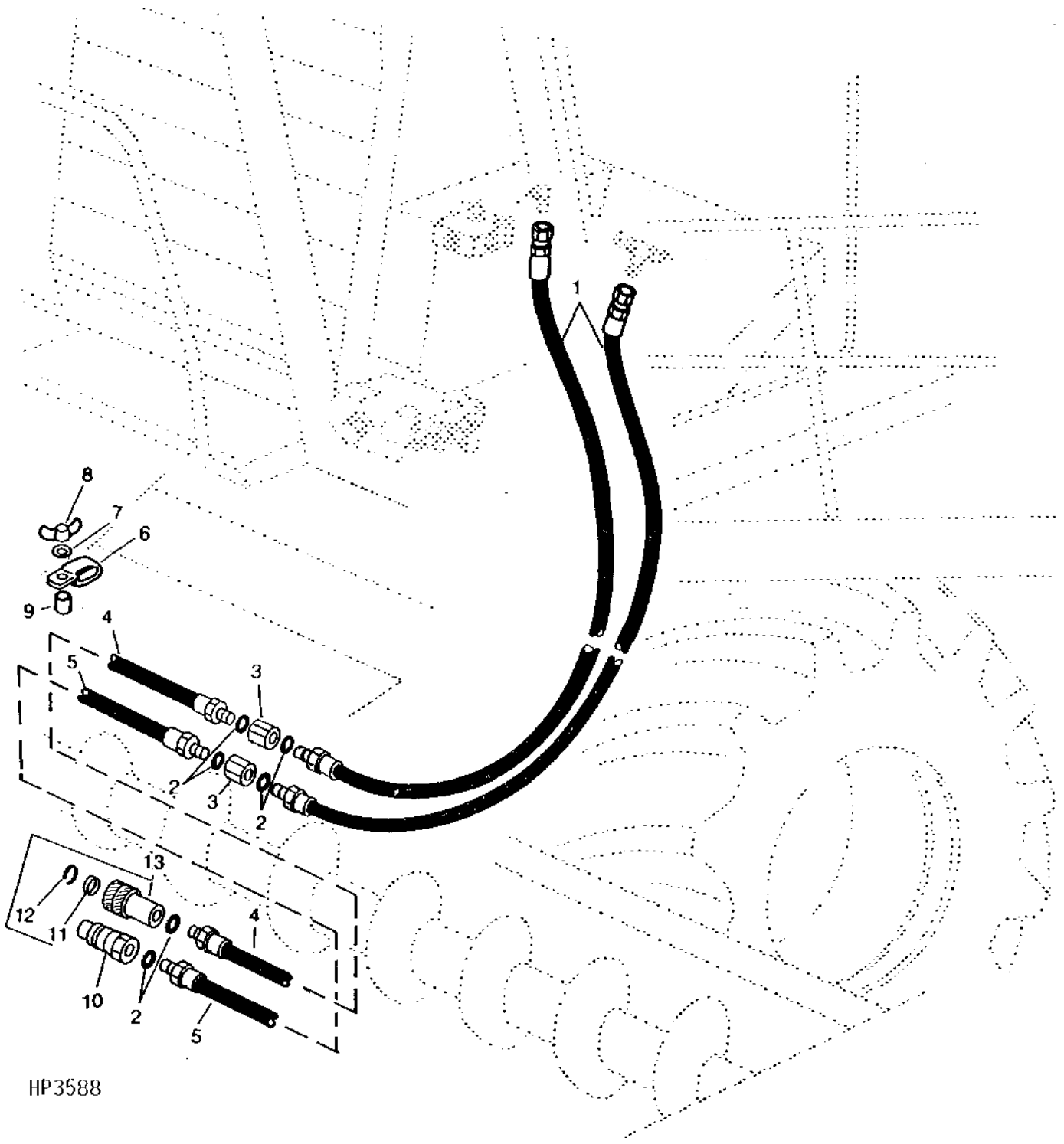
REEL MOTOR (EATON) - CONTINUED
(655291-)

KEY	PART NO.	PART NAME	QTY	SERIAL NO.	REMARKS
1	AH141858	MOTOR	1		9.6 IN. DISPLACEMENT
2	AH144831	SEAL KIT	1		
3	26H22	SHAFT KEY	1		6.350 X 25.400 MM (1/4" X 1") WOODRUFF

BH78439 (COMPLETE GOODS) MOTOR ASSEMBLY - HYDRAULIC BPU
BH71994 (COMPLETE GOODS) BPU DRIVE PARTS

HOSES AND COUPLERS TO CONVERT PLATFORMS (625001-)
TO USE WITH COMBINES (600001-622500)

HP3588 -UN-01JAN94



HP3588

D23

HYDRAULICS

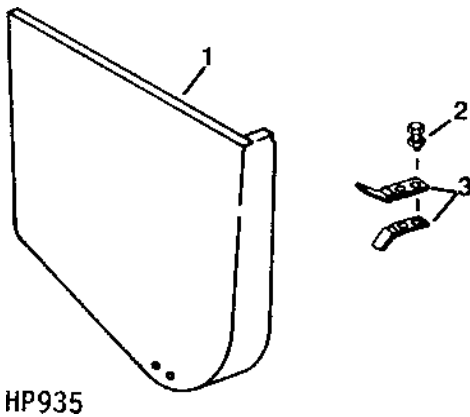
**HOSES AND COUPLERS TO CONVERT PLATFORMS (625001-)
TO USE WITH COMBINES (600001-622500) - CONTINUED**

KEY	PART NO.	PART NAME	QTY	SERIAL NO.	REMARKS
1	AH112765	HYDRAULIC HOSE	2		7/8" X 3 400 MM (133-3/4") X 3/4" (REGULAR FEEDER HOUSE) (REEL DRIVE)
2	R26375	O-RING	6		16.358 X 2.210 MM (0.644" X 0.087")
3	R30815	FITTING	2		
4	AH128371	HYDRAULIC HOSE	1		3/4" X 1 100 MM (43-1/4") X 3/4" (6620 AND 6620 SIDEHILL - REGULAR FEEDER HOUSE) (REEL DRIVE PRESSURE)
	AH128372	HYDRAULIC HOSE	1		3/4" X 1 400 MM (55") X 3/4" 7720 - REGULAR FEEDER HOUSE (REEL DRIVE PRESSURE)
	AN61174	HYDRAULIC HOSE	1		3/4" X 1 981 MM (78") X 3/4" (7721) (REEL DRIVE PRESSURE)
5	AH128372	HYDRAULIC HOSE	1		3/4" X 1 400 MM (55") X 3/4" (6620 AND 6620 SIDEHILL - REGULAR FEEDER HOUSE) (REEL DRIVE RETURN)
	AN61174	HYDRAULIC HOSE	1		3/4" X 1 981 MM (78") X 3/4" 7720 - REGULAR FEEDER HOUSE (REEL DRIVE RETURN)
	AN61174	HYDRAULIC HOSE	1		3/4" X 1 981 MM (78") X 3/4" 7721 (REEL DRIVE RETURN)
6	AH77869	CLIP	AR		(6620, 7720, 7721 - USE 2; 6620SH - USE 1)
	AH78124	CLIP	1		
7	12H303	LOCK WASHER	AR		5/16"
	12H304	LOCK WASHER	1		3/8" (6620 SIDEHILL)
8	14H819	WING NUT	AR		5/16"
	14H827	WING NUT	1		3/8" (6620 SIDEHILL)
9	28H1903	BUSHING	AR		0.364" X 0.540" X 3/4"
	28H3240	SPACER	1		0.423" X 0.675" X 25/32" (6620 SIDEHILL)
10	AR94522	INTERNAL HALF COUPLER	1		
11	L24517	BACK-UP RING	1		USE WITH AEROQUIP COUPLER
12	T12960	SNAP RING	1		USE WITH AEROQUIP COUPLER
13	AH75167	HYD. QUICK-CONNECT COUPLER	1		

MEMORANDA

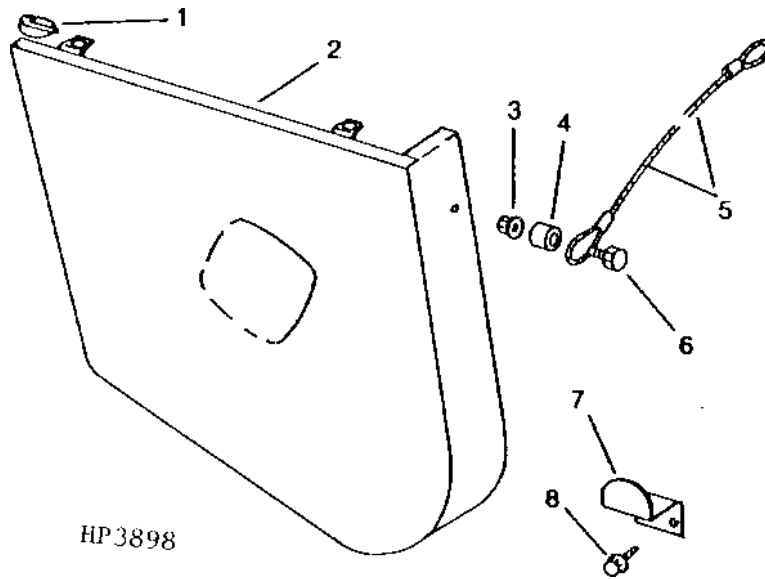
MEMORANDA

SHIELD (-635100)
HP935 -UN-01JAN94



KEY	PART NO.	PART NAME	QTY	SERIAL NO.	REMARKS
1	AH88889	SHIELD	1	R.H.	
2	19H1900	CAP SCREW	4	5/16" X 3/4"	
	N10213	LOCK NUT	4	7.925 MM (5/16")	
3	H78884	LATCH	4		

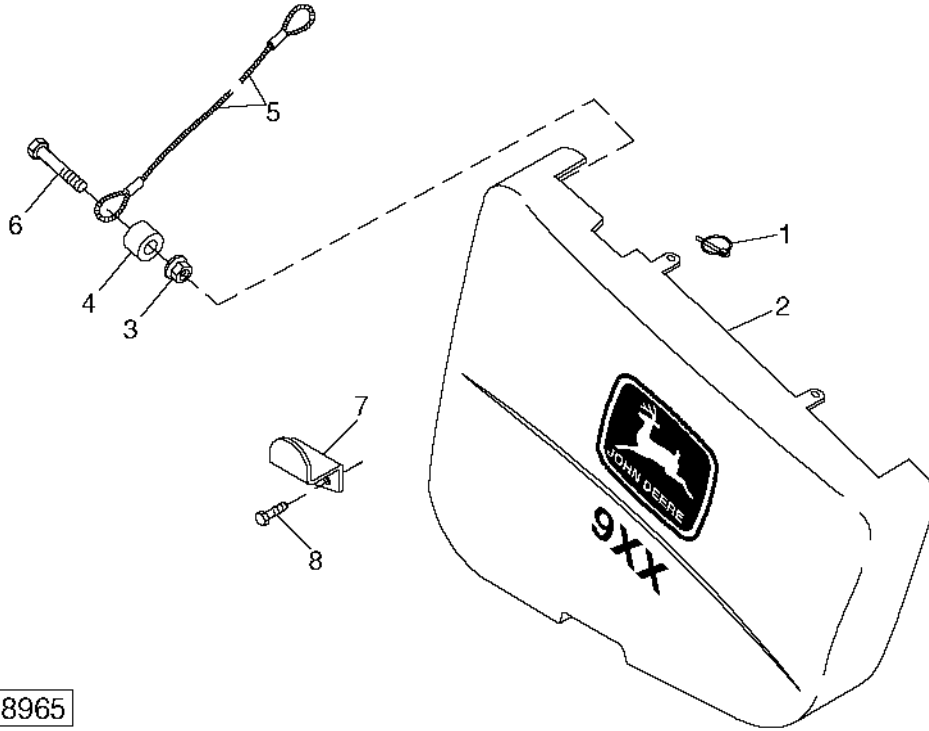
SHIELD
(635101-655150)
 HP3898 -UN-01JAN94



KEY	PART NO.	PART NAME	QTY	SERIAL NO.	REMARKS
1	M72598	QUICK LOCK PIN	2		
2	AH129286	SHIELD	1	R.H.	
3	A22698	NUT	1	5/16"	
4	M48770	SPACER	1		
5	AH134121	CABLE	1		
6	19H1900	CAP SCREW	1	5/16" X 3/4"	
7	H136062	BRACKET	2		
8	03H1500	BOLT	2	3/8" X 1"	

E4

SHIELD
 (655151-)
 HP8965 -UN-30AUG99



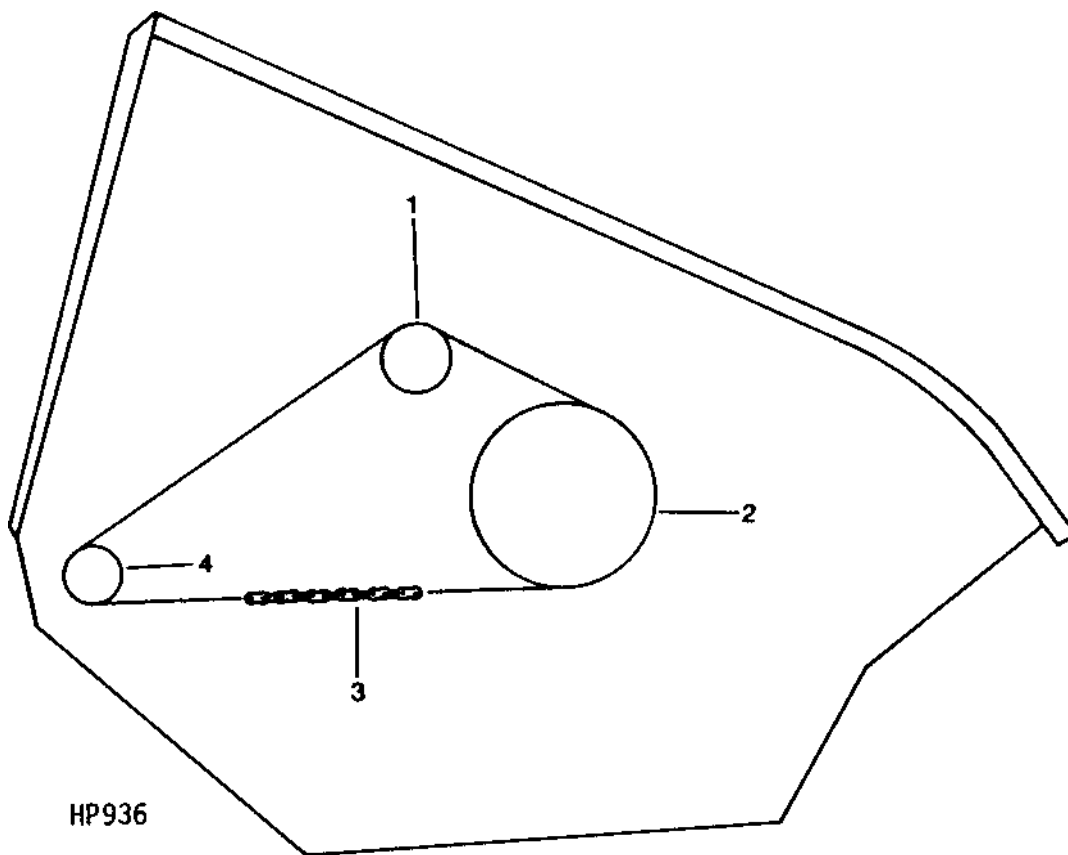
HP8965

KEY	PART NO.	PART NAME	QTY	SERIAL NO.	REMARKS
1	M72598	QUICK LOCK PIN	2		
2	H169441	SHIELD	1	R.H.	
3	A22698	NUT	1	5/16"	
4	M93897	BUSHING	1		
5	AH134121	CABLE	1		
6	19H1900	CAP SCREW	1	5/16" X 3/4"	
7	H136062	BRACKET	2		
8	03M7191	BOLT	2	M10 X 25	

E6

**DRIVE CHAIN, SPROCKETS, AND TIGHTENER ON RIGHT-HAND SIDE
(PICKUP PLATFORM)**

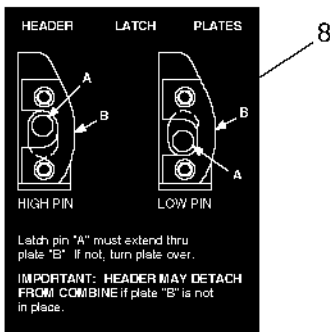
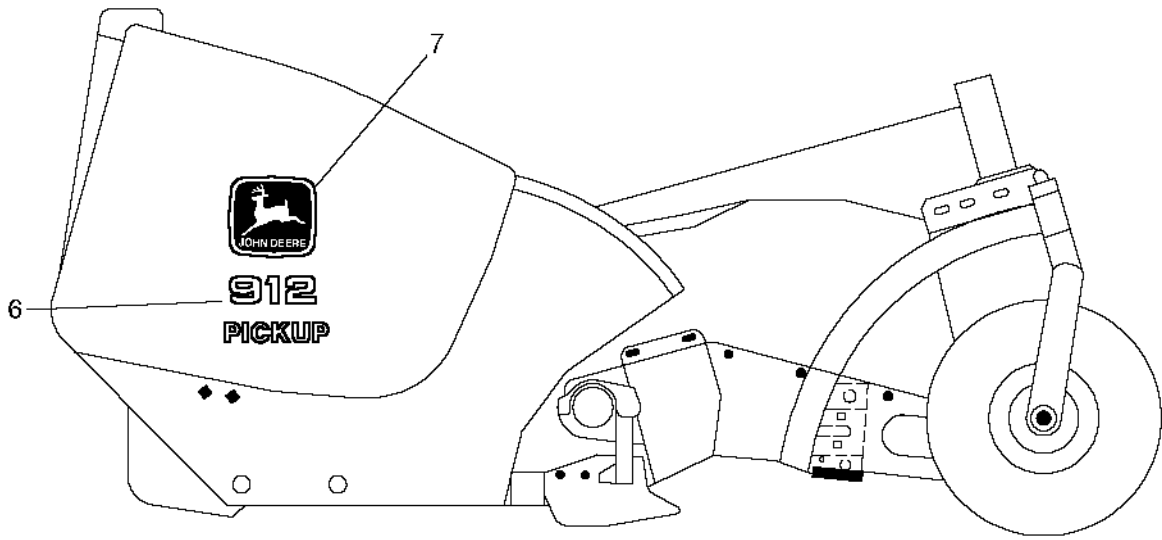
HP936 -UN-01JAN94



KEY	PART NO.	PART NAME	QTY	SERIAL NO.	REMARKS
1	AH20443	CHAIN SPROCKET	1	-635100	TIGHTENER, 15 TEETH
	AH89429	CHAIN SPROCKET	1	635101-	TIGHTENER, 15 TEETH
2	AH87947	CHAIN SPROCKET	1	-635100	DRIVE, 40 TEETH
	AH131039	CHAIN SPROCKET	1	635101-	DRIVE, 40 TEETH
3	LINK CHAIN	1		ROLLER, DRIVE, TYPE 60, 3/4" PITCH, 89 LINKS, (ASSEMBLE FROM AB1288H, AB1289H, AB1290H, (2) B5235H, B5321H AND B5234H)
4	AH87945	CHAIN SPROCKET	1	-635100	DRIVE, 13 TEETH
	AH130579	CHAIN SPROCKET	1	635101-	DRIVE, 13 TEETH

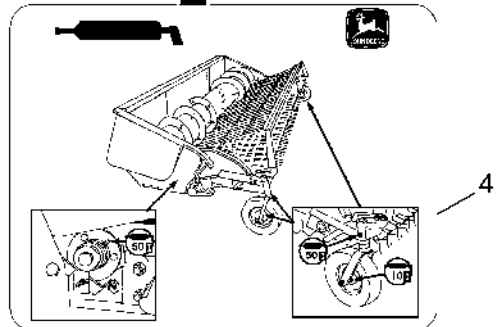
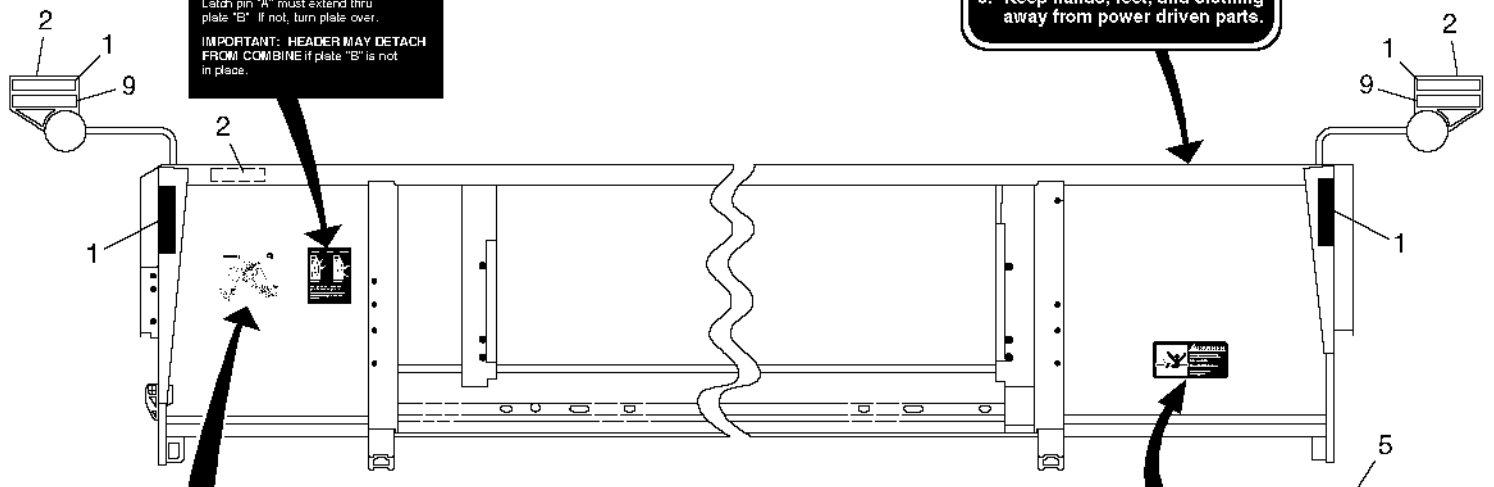
E7

DECALS (-685150)
HP8860 -UN-04AUG99



CAUTION

1. Keep all shields in place.
2. Disengage and shut off all engine and/or motor power before servicing or unclogging machine.
3. Keep hands, feet, and clothing away from power driven parts.



DANGER

Entanglement in rotating driveline can cause serious injury or death.

Keep all shields in place.

Avoid contact with rotating parts.

HP8860

DECALS (-685150) - CONTINUED

KEY	PART NO.	PART NAME	QTY	SERIAL NO.	REMARKS
1	JD5920	REFLECTOR	4		(RED) (LOCATED IN REAR, UPPER FRAME OF PLATFORM AND ON TOP REAR OF PLATE - R.H. AND L.H.)
2	JD5921	REFLECTOR	1		(AMBER)(FRONT OF TOP BEAM 2-INCH FROM L.H. END AND TOP FRONT OF L.H. AND R.H. PLATE) (KIT AH100289)
3	E82510	LABEL	1		"CAUTION" (LOCATED IN REAR, UPPER FRAME OF PLATFORM, R.H.)
4	H135577	LABEL	1		(LUBE CHART) (REAR BACK SHEET - 8 INCH BELOW TOP BEAM AND 6-1/2 INCH FROM L.H. END)
5	E82514	LABEL	1		(DRIVE LINE ENTANGLEMENT) (SIDEHILL ONLY)
6	H132863	LABEL	1		"912 PICKUP" (R.H. END SHEET)
	H132864	LABEL	1		"914 PICKUP" (R.H. END SHEET)
7	JD5656	LABEL	1		"LEAPING DEER"
8	H136751	DECAL	1		HEADER LATCH PLATE
9	JD5922	REFLECTOR	2		(ORANGE)
..	AH100289	DECAL KIT	1		
..	H145146	LABEL	1		FINGER CLEARANCE (INCLUDED IN AH100289 DECAL KIT)

MEMORANDA

L20

PICKUP, BELT, THREE-ROLLER AND PICKUP PLATFORM - 900 SERIES

NUMERICAL INDEX

PART NO.	GRID	KEY	PAGE	PART NO.	GRID	KEY	PAGE	PART NO.	GRID	KEY	PAGE
AA21292	B4	2	15-9	AH111165	B11	11	20-1	AH127882	A18	12	10-7
AA21292	B6	2	15-11	AH111165	B12	11	20-2	AH127885	A18	12	10-7
AA5607R	B11	8	20-1	AH111170	A18	13	10-7	AH127886	A18	12	10-7
AA5607R	B12	8	20-2	AH111171	A18	8	10-7	AH127887	D19	1	30-13
AB1288H	C17	32	25-15	AH111172	A18	14	10-7	AH128241	D9	14	30-2
AB1288H	C19	29	25-17	AH111173	A18	9	10-7	AH128241	D10	14	30-3
AB1288H	C21	28	25-19	AH111174	B4	9	15-9	AH128371	D23	4	30-17
AB1288H	C23	28	25-21	AH111174	B6	9	15-11	AH128372	D23	4	30-17
AB1288H	C25	21	25-23	AH111175	B4	9	15-9	AH128372	D23	5	30-17
AB1288H	E6	3	40-1	AH111175	B6	9	15-11	AH129236	B21	5	20-12
AB1289H	C17	32	25-15	AH111177	B21	5	20-12	AH129236	B22	5	20-13
AB1289H	C19	29	25-17	AH111177	B22	5	20-13	AH129264	C14	4	25-12
AB1289H	C21	28	25-19	AH111184	B11	6	20-1	AH129265	C14	6	25-12
AB1289H	C23	28	25-21	AH111184	B12	6	20-2	AH129266	C14	6	25-12
AB1289H	C25	21	25-23	AH111199	A16	5	10-5	AH129268	A18	6	10-7
AB1289H	E6	3	40-1	AH111273	D11	2	30-4	AH129268	A19	6	10-8
AB1290H	C17	32	25-15	AH111273	D12	2	30-5	AH129269	A18	6	10-7
AB1290H	C19	29	25-17	AH111274	D11	1	30-4	AH129269	A19	6	10-8
AB1290H	C21	28	25-19	AH111274	D12	1	30-5	AH129270	A18	6	10-7
AB1290H	C23	28	25-21	AH111382	B21	9	20-12	AH129270	A19	6	10-8
AB1290H	C25	21	25-23	AH111382	B22	9	20-13	AH129286	B4	1	15-9
AB1290H	E6	3	40-1	AH111383	B21	4	20-12	AH129286	E3	2	35-3
AD2062R	B25	2	20-16	AH111383	B22	4	20-13	AH129420	A21	3	10-11
AD2062R	C1	2	20-17	AH111515	A18	3	10-7	AH130471	D9	9	30-2
AE23516	D5	8	25-28	AH111515	A19	3	10-8	AH130471	D10	9	30-3
AE31626	C13	15	25-11	AH111516	A18	3	10-7	AH130472	D9	9	30-2
AE37204	C13	2	25-11	AH111516	A19	3	10-8	AH130472	D10	9	30-3
AE50072	D5	2	25-28	AH111517	A18	3	10-7	AH130473	D9	8	30-2
AE50072	D5	3	25-28	AH111517	A19	3	10-8	AH130473	D10	8	30-3
AE50072	D5	..	25-28	AH112765	D23	1	30-17	AH130474	D9	8	30-2
AG903E	A12	12	10-1	AH113219	B21	7	20-12	AH130474	D10	8	30-3
AH100289	E8	..	40-3	AH113219	B22	7	20-13	AH130579	C19	31	25-17
AH102883	A12	10	10-1	AH113220	B21	7	20-12	AH130579	E6	4	40-1
AH103055	A18	6	10-7	AH113220	B22	7	20-13	AH131039	C11	19	25-9
AH103056	A18	6	10-7	AH113221	B4	9	15-9	AH131039	C13	12	25-11
AH103057	A18	6	10-7	AH113221	B6	9	15-11	AH131039	E6	2	40-1
AH103276	B11	4	20-1	AH113222	B4	9	15-9	AH131089	D19	2	30-13
AH103276	B12	4	20-2	AH113222	B6	9	15-11	AH131099	C11	22	25-9
AH103698	A25	4	15-4	AH114023	B11	10	20-1	AH131100	C11	22	25-9
AH103737	A16	5	10-5	AH114995	B21	2	20-12	AH131101	C9	31	25-7
AH103781	C14	6	25-12	AH114995	B22	2	20-13	AH131102	C9	31	25-7
AH103782	C14	6	25-12	AH115426	D6	9	25-29	AH131479	C19	16	25-17
AH104149	D13	12	30-6	AH116104	B14	10	20-5	AH131479	C21	16	25-19
AH104149	D13	..	30-6	AH116104	B16	10	20-7	AH131479	C23	16	25-21
AH104149	D13	..	30-6	AH116104	B18	6	20-9	AH131520	C14	6	25-12
AH10515	C17	22	25-15	AH116104	B20	6	20-11	AH131521	C19	15	25-17
AH10515	C25	14	25-23	AH116955	A12	1	10-1	AH131522	C19	15	25-17
AH105844	D13	18	30-6	AH116956	A12	1	10-1	AH132259	B4	1	15-9
AH105846	D13	..	30-6	AH119746	D6	3	25-29	AH132334	C11	21	25-9
AH106171	A14	5	10-3	AH119746	D6	6	25-29	AH132562	A12	1	10-1
AH106171	A15	5	10-4	AH119746	D6	10	25-29	AH132562	A13	1	10-2
AH106612	B25	..	20-16	AH119746	D6	17	25-29	AH132563	A12	1	10-1
AH106612	C1	..	20-17	AH119746	D6	21	25-29	AH132563	A13	1	10-2
AH107066	C9	6	25-7	AH121197	B4	1	15-9	AH132564	A18	13	10-7
AH107066	C11	6	25-9	AH121198	B4	1	15-9	AH132564	A19	13	10-8
AH107066	C13	22	25-11	AH121564	D6	16	25-29	AH132565	A18	8	10-7
AH107066	C13	24	25-11	AH121565	D6	11	25-29	AH132565	A19	8	10-8
AH108452	A23	4	15-2	AH121566	D6	13	25-29	AH132566	A16	11	10-5
AH108452	A24	4	15-3	AH122922	D6	2	25-29	AH132566	A17	1	10-6
AH108453	A23	4	15-2	AH124538	A18	2	10-7	AH132567	A16	11	10-5
AH108453	A24	4	15-3	AH124539	A18	2	10-7	AH132567	A17	1	10-6
AH110870	B11	9	20-1	AH124540	A18	2	10-7	AH132570	A14	6	10-3
AH110993	C9	8	25-7	AH124642	A16	5	10-5	AH132570	A15	6	10-4
AH110993	C11	8	25-9	AH124929	C9	35	25-7	AH132571	A14	9	10-3
AH110993	C13	24	25-11	AH125007	B14	2	20-5	AH132571	A15	9	10-4
AH111162	B21	7	20-12	AH126270	C9	31	25-7	AH132572	A14	10	10-3
AH111162	B22	7	20-13	AH126271	C9	31	25-7	AH132572	A15	7	10-4

L21

PICKUP, BELT, THREE-ROLLER AND PICKUP PLATFORM - 900 SERIES

NUMERICAL INDEX - CONTINUED

PART NO.	GRID	KEY	PAGE	PART NO.	GRID	KEY	PAGE	PART NO.	GRID	KEY	PAGE
AH132572	A15	..	10 - 4	AH141142	D7	..	25 - 30	AH156408	A15	5	10 - 4
AH132618	C17	13B	25 - 15	AH141157	D2	1	25 - 25	AH156992	A19	13	10 - 8
AH132618	C17	14B	25 - 15	AH141157	D4	1	25 - 27	AH156993	A19	8	10 - 8
AH132618	C17	17	25 - 15	AH141172	D2	30	25 - 25	AH156994	A19	5	10 - 8
AH132700	D2	16	25 - 25	AH141172	D4	30	25 - 27	AH156995	A19	9	10 - 8
AH132905	B4	19	15 - 9	AH141243	D5	14	25 - 28	AH158098	B16	2	20 - 7
AH132905	B6	18	15 - 11	AH141244	D5	13	25 - 28	AH159419	C11	22	25 - 9
AH132906	B4	19	15 - 9	AH141245	D5	12	25 - 28	AH159419	C13	6	25 - 11
AH132906	B6	18	15 - 11	AH141246	D5	5	25 - 28	AH159420	C13	6	25 - 11
AH133679	A25	4	15 - 4	AH141247	D5	1	25 - 28	AH164497	B23	1	20 - 14
AH133679	B1	3	15 - 5	AH141248	D5	9	25 - 28	AH164497	B24	1	20 - 15
AH133711	A12	10	10 - 1	AH141293	D2	29	25 - 25	AH164499	B25	1	20 - 16
AH133711	A13	10	10 - 2	AH141293	D4	29	25 - 27	AH164499	C1	1	20 - 17
AH133712	A12	12	10 - 1	AH141442	C13	6	25 - 11	AH20443	C17	31	25 - 15
AH133712	A13	12	10 - 2	AH141443	C21	15	25 - 19	AH20443	E6	1	40 - 1
AH133912	B4	1	15 - 9	AH141858	D19	1	30 - 13	AH75167	D23	13	30 - 17
AH133914	B4	1	15 - 9	AH141858	D21	1	30 - 15	AH76956	A16	3	10 - 5
AH134121	B4	1	15 - 9	AH142270	D4	16	25 - 27	AH77869	D23	6	30 - 17
AH134121	E3	5	35 - 3	AH142379	C11	21	25 - 9	AH78124	D23	6	30 - 17
AH134121	E4	5	35 - 4	AH142379	C13	4	25 - 11	AH83833	D11	6	30 - 4
AH134128	C6	1B	25 - 3	AH142752	A18	9	10 - 7	AH83833	D12	4	30 - 5
AH134128	C7	1	25 - 4	AH142752	A19	9	10 - 8	AH86897	B2	3	15 - 7
AH134129	C6	1B	25 - 3	AH142753	A18	14	10 - 7	AH87945	C17	26	25 - 15
AH134129	C7	1	25 - 4	AH142753	A19	5	10 - 8	AH87945	C25	22	25 - 23
AH134130	C14	6	25 - 12	AH143129	C21	15	25 - 19	AH87945	E6	4	40 - 1
AH134130	C15	6A	25 - 13	AH143603	B4	4	15 - 9	AH87947	C9	28	25 - 7
AH134204	B25	3	20 - 16	AH143603	B6	4	15 - 11	AH87947	E6	2	40 - 1
AH134226	B23	6	20 - 14	AH143704	C11	22	25 - 9	AH87953	C17	4	25 - 15
AH134226	B24	6	20 - 15	AH143705	C9	8	25 - 7	AH87953	C19	4	25 - 17
AH134227	B14	2	20 - 5	AH143705	C11	8	25 - 9	AH88540	C17	13A	25 - 15
AH134227	B16	2	20 - 7	AH143705	C13	24	25 - 11	AH88889	E2	1	35 - 2
AH134252	B25	3	20 - 16	AH143755	B11	17	20 - 1	AH89342	A16	3	10 - 5
AH134252	C1	3	20 - 17	AH143755	B12	17	20 - 2	AH89376	B4	4	15 - 9
AH135590	A18	2	10 - 7	AH143756	B18	5	20 - 9	AH89382	B4	7	15 - 9
AH135590	A19	2	10 - 8	AH143756	B20	5	20 - 11	AH89382	B6	7	15 - 11
AH135591	A18	2	10 - 7	AH143851	B12	10	20 - 2	AH89384	C17	17	25 - 15
AH135591	A19	2	10 - 8	AH144298	B24	6	20 - 15	AH89429	C19	26	25 - 17
AH135592	A18	2	10 - 7	AH144831	D21	2	30 - 15	AH89429	C21	25	25 - 19
AH135592	A19	2	10 - 8	AH145770	B12	11	20 - 2	AH89429	C23	25	25 - 21
AH135596	A18	12	10 - 7	AH145815	C21	15	25 - 19	AH89429	E6	1	40 - 1
AH135596	A19	12	10 - 8	AH145816	C21	15	25 - 19	AH89557	B25	6	20 - 16
AH135597	A18	12	10 - 7	AH145816	C23	15	25 - 21	AH89557	C1	6	20 - 17
AH135597	A19	12	10 - 8	AH145846	D4	16	25 - 27	AH90791	C25	29	25 - 23
AH135598	A18	12	10 - 7	AH146033	B14	2	20 - 5	AH90797	D11	6	30 - 4
AH135598	A19	12	10 - 8	AH146033	B16	2	20 - 7	AH90797	D12	4	30 - 5
AH135791	B11	17	20 - 1	AH146565	B16	2	20 - 7	AH92200	B2	2	15 - 7
AH135792	B18	5	20 - 9	AH146565	B24	6	20 - 15	AH92314	C17	17	25 - 15
AH135954	A15	..	10 - 4	AH147001	C23	6	25 - 21	AH92436	B14	8	20 - 5
AH136219	B4	1	15 - 9	AH147646	C23	16	25 - 21	AH92667	A16	1	10 - 5
AH136219	B6	1	15 - 11	AH147908	B2	2	15 - 7	AH92668	A16	1	10 - 5
AH136220	B4	1	15 - 9	AH147909	B2	5	15 - 7	AH93943	B2	5	15 - 7
AH136220	B6	1	15 - 11	AH148412	C23	33	25 - 21	AH94788	C9	22	25 - 7
AH136625	C9	31	25 - 7	AH148523	C23	33	25 - 21	AH97281	C25	11	25 - 23
AH136627	C9	31	25 - 7	AH148572	C9	22	25 - 7	AH97284	C25	2	25 - 23
AH136653	B23	3	20 - 14	AH148572	C13	4	25 - 11	AH98135	A14	6	10 - 3
AH136653	B24	3	20 - 15	AH148573	C9	22	25 - 7	AH98136	A14	9	10 - 3
AH136664	D2	20	25 - 25	AH148573	C13	12	25 - 11	AH98137	A14	5	10 - 3
AH136664	D4	20	25 - 27	AH148576	C9	22	25 - 7	AH98137	A15	5	10 - 4
AH138180	C19	31	25 - 17	AH148576	C13	17	25 - 11	AH98138	A14	5	10 - 3
AH138180	C21	30	25 - 19	AH148908	C13	..	25 - 11	AH98138	A15	5	10 - 4
AH138180	C23	30	25 - 21	AH148908	C15	6B	25 - 13	AN102010	C11	11	25 - 9
AH138180	D2	13	25 - 25	AH149107	C11	22	25 - 9	AN102010	C13	2	25 - 11
AH138180	D4	13	25 - 27	AH149108	C13	6	25 - 11	AN102010	C13	26	25 - 11
AH139163	C14	6	25 - 12	AH149325	C9	22	25 - 7	AN102010	C19	22	25 - 17
AH139163	C15	6A	25 - 13	AH149330	C13	..	25 - 11	AN102010	C21	21	25 - 19
AH139691	C11	22	25 - 9	AH149332	C13	..	25 - 11	AN102010	C23	21	25 - 21
AH141139	D5	15	25 - 28	AH156408	A14	5	10 - 3	AN102010	C25	27	25 - 23

L22

PICKUP, BELT, THREE-ROLLER AND PICKUP PLATFORM - 900 SERIES

NUMERICAL INDEX - CONTINUED

PART NO.	GRID	KEY	PAGE	PART NO.	GRID	KEY	PAGE	PART NO.	GRID	KEY	PAGE
AN102010	D2	12	25-25	E50102	C17	12	25-15	H103265	D4	11	25-27
AN102010	D4	12	25-27	E54809	A12	2	10-1	H104306	B6	3	15-11
AN152467	B25	3	20-16	E54809	A12	16	10-1	H104418	B16	11B	20-7
AN152467	C1	3	20-17	E54809	A18	7	10-7	H104418	B18	16	20-9
AN31211	C25	20	25-23	E54809	B4	5	15-9	H104418	B20	16	20-11
AN50685	A20	2	10-10	E54809	C14	5	25-12	H106259	A14	4	10-3
AN61174	D23	4	30-17	E54809	C17	28	25-15	H106259	A15	4	10-4
AN61174	D23	5	30-17	E54809	C17	34	25-15	H106260	A14	4	10-3
AR1479R	C25	10	25-23	E54809	C25	17	25-23	H106260	A15	4	10-4
AR94522	D9	1	30-2	E55662	C6	2	25-3	H106806	D13	19	30-6
AR94522	D10	1	30-3	E55662	C11	9	25-9	H106807	D13	16	30-6
AR94522	D23	10	30-17	E55662	C11	20	25-9	H107287	A14	4	10-3
AT35599	D9	11	30-2	E55662	C14	10	25-12	H107287	A15	4	10-4
AT35599	D10	11	30-3	E55662	C17	36A	25-15	H108957	B12	9	20-2
AW24500	D6	18	25-29	E55662	C17	37	25-15	H108958	B11	2	20-1
A11455	C14	5	25-12	E55662	C19	17A	25-17	H108959	B11	5	20-1
A11455	C14	11	25-12	E55662	C19	33	25-17	H109816	A23	5	15-2
A11455	C19	23	25-17	E55662	D2	7	25-25	H109816	B7	6	15-12
A11455	C19	27	25-17	E62484	C13	1	25-11	H109817	A23	5	15-2
A15898	D9	7	30-2	E62875	C14	3	25-12	H109817	B7	6	15-12
A15898	D10	7	30-3	E62951	C17	13B	25-15	H109855	C23	10	25-21
A22698	B4	1	15-9	E62951	C17	14A	25-15	H110726	C17	35	25-15
A22698	C4	2	25-1	E62951	C17	14B	25-15	H110726	C19	28	25-17
A22698	C4	4	25-1	E62951	C17	17	25-15	H110726	C21	27	25-19
A22698	D9	4	30-2	E62951	C19	13	25-17	H110726	C23	27	25-21
A22698	D11	3	30-4	E62951	C19	14	25-17	H110730	C9	7	25-7
A22698	E3	3	35-3	E62951	C21	13	25-19	H110730	C11	7	25-9
A22698	E4	3	35-4	E62951	C21	14	25-19	H111742	A12	7	10-1
A31870	C21	2	25-19	E62951	C23	14	25-21	H111742	A13	7	10-2
A31870	C21	29	25-19	E74026	C25	33	25-23	H111904	C4	3	25-1
A31870	C23	3	25-21	E82510	E8	3	40-3	H111905	C4	3	25-1
A31870	C23	29	25-21	E82514	C25	33	25-23	H112687	C17	16	25-15
A31870	D4	15	25-27	E82514	D2	28	25-25	H112896	B4	11	15-9
A50325	B6	10	15-11	E82514	D4	28	25-27	H112896	B6	11	15-11
BP12946	D5	7	25-28	E82514	E8	5	40-3	H113687	B7	1	15-12
BP13712	C9	32	25-7	GY2125W	B18	10	20-9	H113689	B7	1	15-12
BP13712	C11	24	25-9	GY2125W	B20	10	20-11	H113773	B11	15	20-1
B30376	D13	13	30-6	G6579E	C23	5	25-21	H113773	B12	15	20-2
B30377	D13	21	30-6	G6891E	A12	14	10-1	H113834	D13	11	30-6
B5234H	C17	32	25-15	G6891E	A13	14	10-2	H114395	C19	25	25-17
B5234H	C19	29	25-17	H100391	B7	3	15-12	H114395	C21	24	25-19
B5234H	C21	28	25-19	H101594	A20	8	10-10	H114395	C23	24	25-21
B5234H	C23	28	25-21	H101594	A21	8	10-11	H115890	D9	3	30-2
B5234H	C25	21	25-23	H101596	A20	13	10-10	H115890	D10	3	30-3
B5234H	E6	3	40-1	H101596	A21	13	10-11	H116160	B11	..	20-1
B5235H	C25	21	25-23	H101596	D15	2	30-9	H116160	B12	..	20-2
B5235H	E6	3	40-1	H101677	C23	9	25-21	H117229	D9	13	30-2
B5236H	C17	32	25-15	H101678	C23	8	25-21	H117229	D10	13	30-3
B5236H	C19	29	25-17	H101690	C17	36A	25-15	H118361	B21	12	20-12
B5236H	C21	28	25-19	H101690	C19	17A	25-17	H118361	B22	12	20-13
B5236H	C23	28	25-21	H102699	A20	15	10-10	H118363	B21	13	20-12
B5321H	C17	32	25-15	H102699	A21	15	10-11	H118363	B22	13	20-13
B5321H	C19	29	25-17	H102724	C9	4	25-7	H118364	A20	10	10-10
B5321H	C21	28	25-19	H102724	C11	4	25-9	H118364	A21	10	10-11
B5321H	C23	28	25-21	H102724	C13	20	25-11	H118913	C9	12	25-7
B5321H	C25	21	25-23	H102766	A18	5	10-7	H119710	C23	11	25-21
B5321H	E6	3	40-1	H103265	C9	24	25-7	H120847	B14	1	20-5
CM21106	C14	6	25-12	H103265	C11	10	25-9	H120847	B16	1	20-7
CM21106	C14	9A	25-12	H103265	C13	1	25-11	H121110	B14	11	20-5
CM21106	C14	9B	25-12	H103265	C13	32	25-11	H121110	B16	11A	20-7
C2214E	C17	3	25-15	H103265	C17	21	25-15	H124261	B4	15	15-9
E10018	C9	16	25-7	H103265	C19	21	25-17	H125403	D9	10	30-2
E16421	A12	13	10-1	H103265	C21	20	25-19	H125403	D10	10	30-3
E32172	A12	9	10-1	H103265	C23	20	25-21	H126498	D6	10	25-29
E32172	A13	9	10-2	H103265	C25	13	25-23	H126499	D6	17	25-29
E50102	C9	11	25-7	H103265	C25	28	25-23	H126500	D6	6	25-29
E50102	C11	14	25-9	H103265	D2	11	25-25	H126502	D6	3	25-29

L23

PICKUP, BELT, THREE-ROLLER AND PICKUP PLATFORM - 900 SERIES

NUMERICAL INDEX - CONTINUED

PART NO.	GRID	KEY	PAGE	PART NO.	GRID	KEY	PAGE	PART NO.	GRID	KEY	PAGE
H128039	D9	5	30-2	H135672	B21	10	20-12	H142185	B24	7	20-15
H128039	D10	5	30-3	H135672	B22	10	20-13	H142185	B25	8	20-16
H128778	B7	1	15-12	H136032	C19	7	25-17	H142185	C1	8	20-17
H128779	B7	1	15-12	H136032	C21	7	25-19	H143317	B23	2	20-14
H128815	B7	5	15-12	H136032	D2	21	25-25	H143317	B24	2	20-15
H128816	B7	5	15-12	H136032	D4	21	25-27	H143581	C17	4	25-15
H129114	C6	3	25-3	H136046	C11	25	25-9	H143581	C19	4	25-17
H129115	C6	3	25-3	H136046	C13	9	25-11	H145146	E8	..	40-3
H129215	B14	9	20-5	H136062	B4	1	15-9	H145952	C4	1	25-1
H129216	B14	12	20-5	H136062	E3	7	35-3	H145952	C5	1	25-2
H129216	B16	12	20-7	H136062	E4	7	35-4	H145953	C4	1	25-1
H129216	B18	8	20-9	H136246	C11	13	25-9	H145953	C5	1	25-2
H129216	B20	8	20-11	H136247	C11	15	25-9	H145997	C4	3	25-1
H129222	D6	15	25-29	H136751	B4	1	15-9	H145997	C5	3	25-2
H130104	C6	1A	25-3	H136751	B4	18	15-9	H145998	C4	3	25-1
H130105	C6	1A	25-3	H136751	B6	17	15-11	H145998	C5	3	25-2
H130934	C4	1	25-1	H136751	E8	8	40-3	H147245	D2	26	25-25
H130935	C4	1	25-1	H137054	D2	6	25-25	H147245	D4	26	25-27
H131665	C6	4	25-3	H137054	D4	6	25-27	H147485	D5	11	25-28
H131665	C7	3	25-4	H137055	C14	4	25-12	H147547	D2	24	25-25
H131666	C6	4	25-3	H137143	B4	1	15-9	H147547	D4	24	25-27
H131666	C7	3	25-4	H137143	B4	14B	15-9	H147574	B7	1	15-12
H131667	C6	5	25-3	H137143	B6	14	15-11	H147574	B8	1	15-13
H131667	C7	4	25-4	H137329	C13	29	25-11	H147659	D2	23	25-25
H131668	C6	5	25-3	H137423	B25	4	20-16	H147659	D4	23	25-27
H131668	C7	4	25-4	H137423	C1	4	20-17	H147690	D17	2	30-11
H132700	B14	4	20-5	H137638	A23	5	15-2	H147697	C15	4	25-13
H132700	B16	4	20-7	H137638	A24	5	15-3	H147702	C21	4	25-19
H132863	E8	6	40-3	H137638	B7	6	15-12	H148345	C21	12	25-19
H132864	E8	6	40-3	H137638	B8	6	15-13	H148345	D4	10	25-27
H133619	B4	14A	15-9	H137639	A23	5	15-2	H148930	B4	3	15-9
H133620	B4	14A	15-9	H137639	A24	5	15-3	H148930	B6	3	15-11
H134062	C25	34	25-23	H137639	B7	6	15-12	H149441	C13	35	25-11
H134063	C25	34	25-23	H137639	B8	6	15-13	H149441	C15	9	25-13
H134082	C25	32	25-23	H137640	A25	8	15-4	H149470	B7	5	15-12
H134218	B4	20	15-9	H137641	B7	5	15-12	H149471	B7	5	15-12
H134218	B6	19	15-11	H137642	B7	5	15-12	H149471	B8	5	15-13
H134219	B4	20	15-9	H137643	B4	1	15-9	H150050	C9	4	25-7
H134219	B6	19	15-11	H137643	B7	1	15-12	H150050	C11	4	25-9
H135049	C11	16	25-9	H137644	B7	1	15-12	H150050	C13	20	25-11
H135049	C13	28	25-11	H138953	A25	8	15-4	H153595	D2	22	25-25
H135059	C13	25	25-11	H138953	B1	7	15-5	H153595	D4	22	25-27
H135062	C11	12	25-9	H139004	A12	13	10-1	H153817	C23	13	25-21
H135063	C11	12	25-9	H139004	A13	13	10-2	H154675	B2	1	15-7
H135156	D11	9B	30-4	H139072	B24	10	20-15	H161529	C11	10	25-9
H135156	D12	7	30-5	H139073	B24	9	20-15	H161529	C13	1	25-11
H135196	C14	9A	25-12	H141220	B14	8	20-5	H162036	B1	2	15-5
H135222	C17	13A	25-15	H141220	B16	8	20-7	H164774	D5	9	25-28
H135222	C17	13B	25-15	H141220	B18	11	20-9	H164775	D5	14	25-28
H135222	C17	14B	25-15	H141220	B20	11	20-11	H166762	C13	31	25-11
H135222	C17	17	25-15	H141254	D15	4B	30-9	H167350	C13	30	25-11
H135222	C19	13	25-17	H141254	D17	4	30-11	H168232	A20	11	10-10
H135222	C19	14	25-17	H141255	D15	9	30-9	H169441	E4	2	35-4
H135222	C21	13	25-19	H141255	D17	9	30-11	H174360	C13	30	25-11
H135222	C21	14	25-19	H141331	B14	9	20-5	H22979	D11	10	30-4
H135241	C19	6	25-17	H141331	B16	9	20-7	H65108	B4	12	15-9
H135241	C21	6	25-19	H141331	B18	2	20-9	H65108	B14	5	20-5
H135241	D2	18	25-25	H141331	B20	2	20-11	H65108	D15	10	30-9
H135241	D4	18	25-27	H141711	C14	9A	25-12	H76139	B7	8	15-12
H135342	C17	36A	25-15	H141786	B7	1	15-12	H76139	C25	30	25-23
H135342	C17	36C	25-15	H141787	B7	1	15-12	H76321	A16	10	10-5
H135342	C19	17A	25-17	H141787	B8	1	15-13	H76321	B11	19	20-1
H135342	C19	17C	25-17	H141788	B7	1	15-12	H76321	B12	19	20-2
H135342	C21	17	25-19	H141789	B7	1	15-12	H76321	B18	15	20-9
H135342	C23	17	25-21	H142063	B7	5	15-12	H76321	B20	15	20-11
H135410	A21	2	10-11	H142064	B7	5	15-12	H76322	A16	8	10-5
H135577	E8	4	40-3	H142185	B23	7	20-14	H76323	A16	8	10-5

L24

PICKUP, BELT, THREE-ROLLER AND PICKUP PLATFORM - 900 SERIES

NUMERICAL INDEX - CONTINUED

PART NO.	GRID	KEY	PAGE	PART NO.	GRID	KEY	PAGE	PART NO.	GRID	KEY	PAGE
H77433	C17	10	25-15	H89525	C19	8	25-17	N10213	A18	4	10-7
H77433	C19	10	25-17	H89525	C21	8	25-19	N10213	A23	11	15-2
H77433	C21	10	25-19	H89525	C25	5	25-23	N10213	A25	9	15-4
H77433	C25	7	25-23	H89525	D2	4	25-25	N10213	B7	2	15-12
H77433	D2	8	25-25	H89525	D4	4	25-27	N10213	B7	9	15-12
H77433	D4	8	25-27	H92689	B7	3	15-12	N10213	B11	12	20-1
H77507	D11	4	30-4	H92690	B7	3	15-12	N10213	B11	20	20-1
H78354	A14	2	10-3	H92690	B8	3	15-13	N10213	B14	3	20-5
H78884	E2	3	35-2	H92692	B7	3	15-12	N10213	B14	13	20-5
H85041	D15	4A	30-9	H92692	B8	3	15-13	N10213	B18	9	20-9
H85487	A23	3	15-2	H92823	C9	19	25-7	N10213	B21	15	20-12
H85487	A24	3	15-3	H93738	C17	6	25-15	N10213	C4	2	25-1
H85488	A23	3	15-2	H94708	C9	13	25-7	N10213	C6	2	25-3
H85488	A24	3	15-3	H95034	C25	3	25-23	N10213	D11	3	30-4
H86248	B2	4	15-7	H95783	A20	11	10-10	N10213	E2	2	35-2
H86656	C19	12	25-17	H95783	A21	11	10-11	N10215	A20	12	10-10
H86656	D2	10	25-25	H97280	D11	5	30-4	N10215	A23	6	15-2
H86918	C9	1	25-7	H98792	C17	30	25-15	N10215	A25	5	15-4
H86918	C9	21	25-7	H99025	D2	27	25-25	N10215	B4	6	15-9
H86918	C11	1	25-9	H99025	D4	27	25-27	N10215	B4	8	15-9
H86918	C11	28	25-9	H99303	C23	7	25-21	N10215	B7	4	15-12
H86918	C13	11	25-11	H99751	A25	3	15-4	N10215	B7	7	15-12
H87044	C9	3	25-7	H99751	B1	2	15-5	N10215	C6	2	25-3
H87044	C11	3	25-9	H99752	A25	2	15-4	N10215	C9	18	25-7
H87044	C13	19	25-11	H99753	A25	8	15-4	N10215	C9	23	25-7
H87059	C17	14A	25-15	JD5656	E8	7	40-3	N10215	C14	8	25-12
H87062	C14	3	25-12	JD5920	E8	1	40-3	N10215	C17	18	25-15
H87121	C25	19	25-23	JD5921	E8	2	40-3	N10215	C17	19	25-15
H87184	C9	34	25-7	JD5922	E8	9	40-3	N10215	C19	18	25-17
H87192	C9	2	25-7	JD7760	D5	6	25-28	N10215	C19	20	25-17
H87192	C11	2	25-9	JD7788	A20	9	10-10	N10215	C25	25	25-23
H87192	C13	18	25-11	JD7788	A21	9	10-11	N10215	C25	36	25-23
H87193	C9	20	25-7	JD7797	A12	8	10-1	N10217	A16	7	10-5
H87193	C11	27	25-9	JD7797	A13	8	10-2	N10217	A16	12	10-5
H87193	C13	10	25-11	JD7829	A12	11	10-1	N10217	A16	13	10-5
H87206	C17	9	25-15	JD7829	A13	11	10-2	N10217	B11	18	20-1
H87206	C19	9	25-17	JD7842	D5	4	25-28	N10217	B18	3	20-9
H87206	C21	9	25-19	JD8551	C9	15	25-7	N10217	D9	12	30-2
H87206	C25	6	25-23	JD8552	C9	17	25-7	N132503	D13	1	30-6
H87206	D2	3	25-25	JD8576	C9	27	25-7	N170838	D13	3	30-6
H87206	D4	3	25-27	JD8594	A20	5	10-10	N170840	D13	9	30-6
H87226	C17	36A	25-15	JD8594	A21	5	10-11	N170847	D13	4	30-6
H87226	C17	36B	25-15	JD8594	C17	24	25-15	N170849	D13	2	30-6
H87226	C19	17A	25-17	JD8594	C25	16	25-23	N170871	D13	7	30-6
H87226	C19	17B	25-17	JD9209	C9	25	25-7	N170873	D13	6	30-6
H87226	C21	32	25-19	JD9397	A20	6	10-10	N52234	A20	3	10-10
H87226	C23	32	25-21	JD9397	A21	6	10-11	P41706	C9	32	25-7
H87257	C9	10	25-7	J16931	B21	3	20-12	P41706	C11	24	25-9
H87266	D11	9A	30-4	J16931	B22	3	20-13	P41706	D2	5	25-25
H87747	A14	3	10-3	L24517	D23	11	30-17	P47368	C25	24	25-23
H87747	A15	3	10-4	M48770	B4	1	15-9	P50195	B2	1	15-7
H87985	C17	16	25-15	M48770	E3	4	35-3	R21722	D9	15	30-2
H87986	C9	19	25-7	M63904	A25	6	15-4	R21722	D10	15	30-3
H87994	C14	7	25-12	M63904	B1	5	15-5	R2577R	B21	10	20-12
H87994	C15	7	25-13	M72598	B4	1	15-9	R26375	D9	2	30-2
H88092	C25	26	25-23	M72598	E3	1	35-3	R26375	D10	2	30-3
H89188	D13	14	30-6	M72598	E4	1	35-4	R26375	D23	2	30-17
H89189	D13	20	30-6	M80082	A23	9	15-2	R26906	D11	8	30-4
H89476	A23	9	15-2	M84309	B1	5	15-5	R26906	D12	6	30-5
H89476	A24	9	15-3	M84972	C13	8	25-11	R27270	D11	7	30-4
H89486	C14	4	25-12	M84972	D4	5	25-27	R27270	D12	5	30-5
H89524	C17	5	25-15	M87259	D6	14	25-29	R30815	D23	3	30-17
H89524	C19	5	25-17	M93897	E4	4	35-4	R78053	B23	1	20-14
H89524	C21	5	25-19	N100859	B21	16	20-12	R78053	B24	1	20-15
H89524	D2	17	25-25	N100859	B22	16	20-13	R78061	B25	1	20-16
H89524	D4	17	25-27	N10213	A12	3	10-1	R78061	C1	1	20-17
H89525	C17	8	25-15	N10213	A16	9	10-5	T124356	D13	20	30-6

L25

PICKUP, BELT, THREE-ROLLER AND PICKUP PLATFORM - 900 SERIES

NUMERICAL INDEX - CONTINUED

<i>PART NO.</i>	<i>GRID</i>	<i>KEY</i>	<i>PAGE</i>	<i>PART NO.</i>	<i>GRID</i>	<i>KEY</i>	<i>PAGE</i>	<i>PART NO.</i>	<i>GRID</i>	<i>KEY</i>	<i>PAGE</i>
T12960	D23	12	30 - 17								
T16464	A25	7	15 - 4								
T29049	C13	16	25 - 11								
T55636	A14	8	10 - 3								
W29648	C19	30	25 - 17								
W29648	D2	15	25 - 25								
W36510	D6	4	25 - 29								
W36512	D6	12	25 - 29								
Z20383	C13	33	25 - 11								
Z20384	C13	33	25 - 11								
Z699H	C17	7	25 - 15								
Z699H	C25	4	25 - 23								