



PARTS MANUAL
FOR
MT10/N/H SERIES

MARMON-HERRINGTON ALL-WHEEL DRIVE

13001 Magisterial Drive • Louisville, KY 40223
(502) 253-0277 • (800) 227-0727 • Fax (502) 253-0317
E-mail: info@marmon-herrington.com

TABLE OF CONTENTS

REPLACEMENT PARTS & WARRANTY CLAIM PROCEDURE	3
DIFFERENTIAL CARRIER HOUSING MT10/N/H	4-5
DIFFERENTIAL MT10/N/H	6-7
AXLE HOUSING MT10/N/H	8-9
AXLE SHAFT ASSEMBLY MT10/N/H	10-11
WHEEL HUB/BRAKE MT10/N/H	12-13
TIE-ROD MT10/N/H	14-15



MARMON-HERRINGTON ALL-WHEEL DRIVE
13001 Magisterial Drive • Louisville, KY 40223
(502) 253-0277 • (800) 227-0727 • Fax (502) 253-0317
E-mail: info@marmon-herrington.com

REPLACEMENT PARTS

When ordering replacement parts for **MARMON-HERRINGTON LOW FLOOR** conversions, the following information should be given:

1. **FACTORY ORDER NUMBER** (found on I.D. Plate or small plate affixed to axle housing). This will be a six (6) digit number. (See illustrations this page.)
2. Component for which parts are required, i.e. front drive axle or transfer case/drop box.
3. Model of axle and/or transfer case/drop box, i.e. MT10, MVG 750, MDB500.
4. Give quantity and part number required.
NOTE: Drivelines, shift linkage, etc., can be found on the computer printout of Bill of Material, which is included in the Service Manual.
5. Give complete billing and shipping address.

WARRANTY CLAIM PROCEDURE

Before proceeding with repairs or ordering parts that you feel may be covered under warranty, you must first contact Marmon-Herrington Customer Service Department and obtain a Repair Authorization Number.


Please be prepared to supply all of the following information:

- **Factory Order Number** – This is located on an ID plate fixed to either the driver’s door panel or the component (axle or transfer case) itself.
- **Model and Serial Number** (required) – Again located on the ID plate fixed to either the driver’s door panel or the component itself.
- **Vehicle Year, Make and Model**
- **Vehicle Identification Number**
- **Mileage**
- **In Service Date**

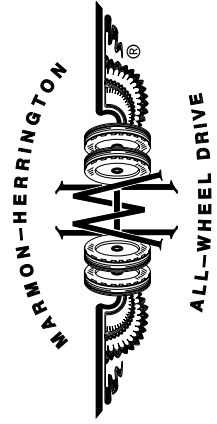
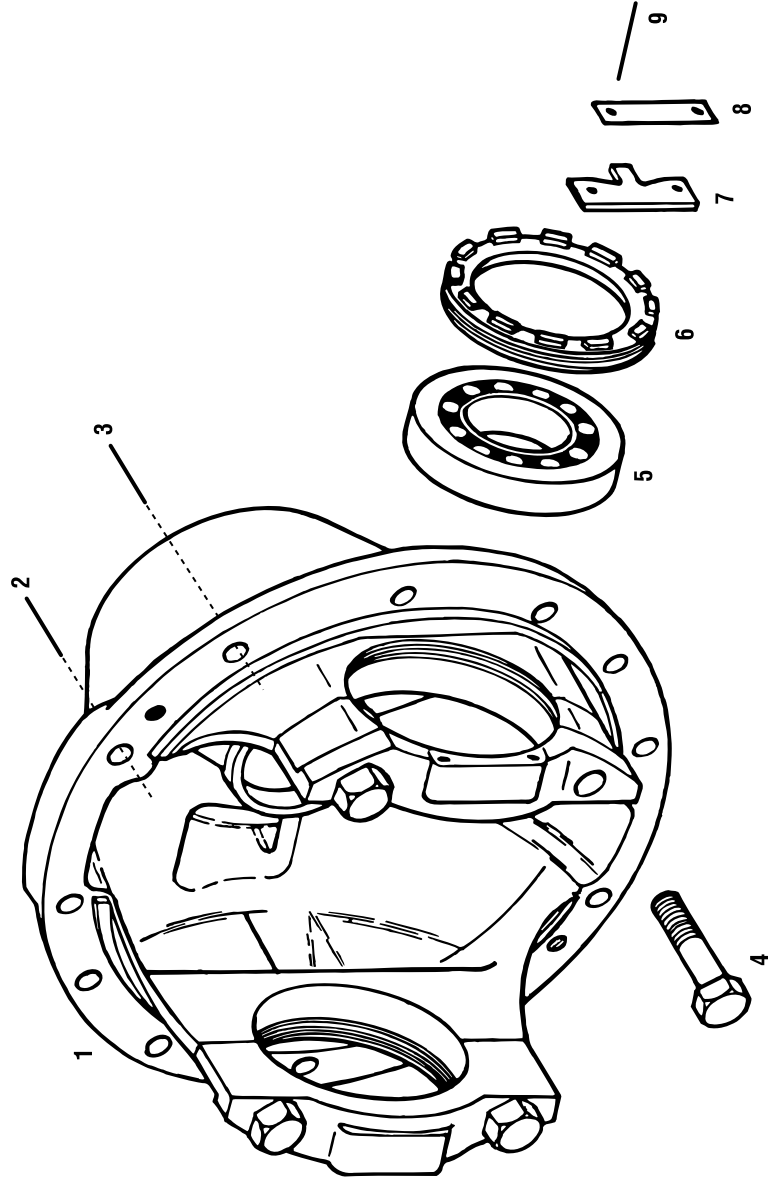
The information necessary for replacement parts and/or warranty claim procedures will be found on either plate design.

MARMON-HERRINGTON			
SALES ORDER	0000-00	RATIO	
S/N		TYPE	
CUST P/N			

MARMON-HERRINGTON			
SALES ORDER	0000-00		
S/N		TYPE	
CUST P/N			
COVERED BY ONE OR MORE OF THE FOLLOWING PATENTS: U.S. PATENTS 4,878,691; 4,934,733; 5,016,912; 5,275,430; 5,839,750; AND 6,398,251; AND CA PATENT 1,316,185. OTHER U.S. AND FOREIGN PATENTS PENDING.			

 <p>MARMON-HERRINGTON ALL-WHEEL DRIVE LOUISVILLE, KENTUCKY U.S.A.</p>	
FACTORY ORDER NO.	0000-00
INSTALLED BY	
FRONT DRIVING AXLE	
MODEL	
CAPACITY	
SERIAL NO.	
RATIO	
TRANSFER CASE	
MODEL	
SERIAL NO.	

DIFFERENTIAL CARRIER HOUSING MT10/N/H



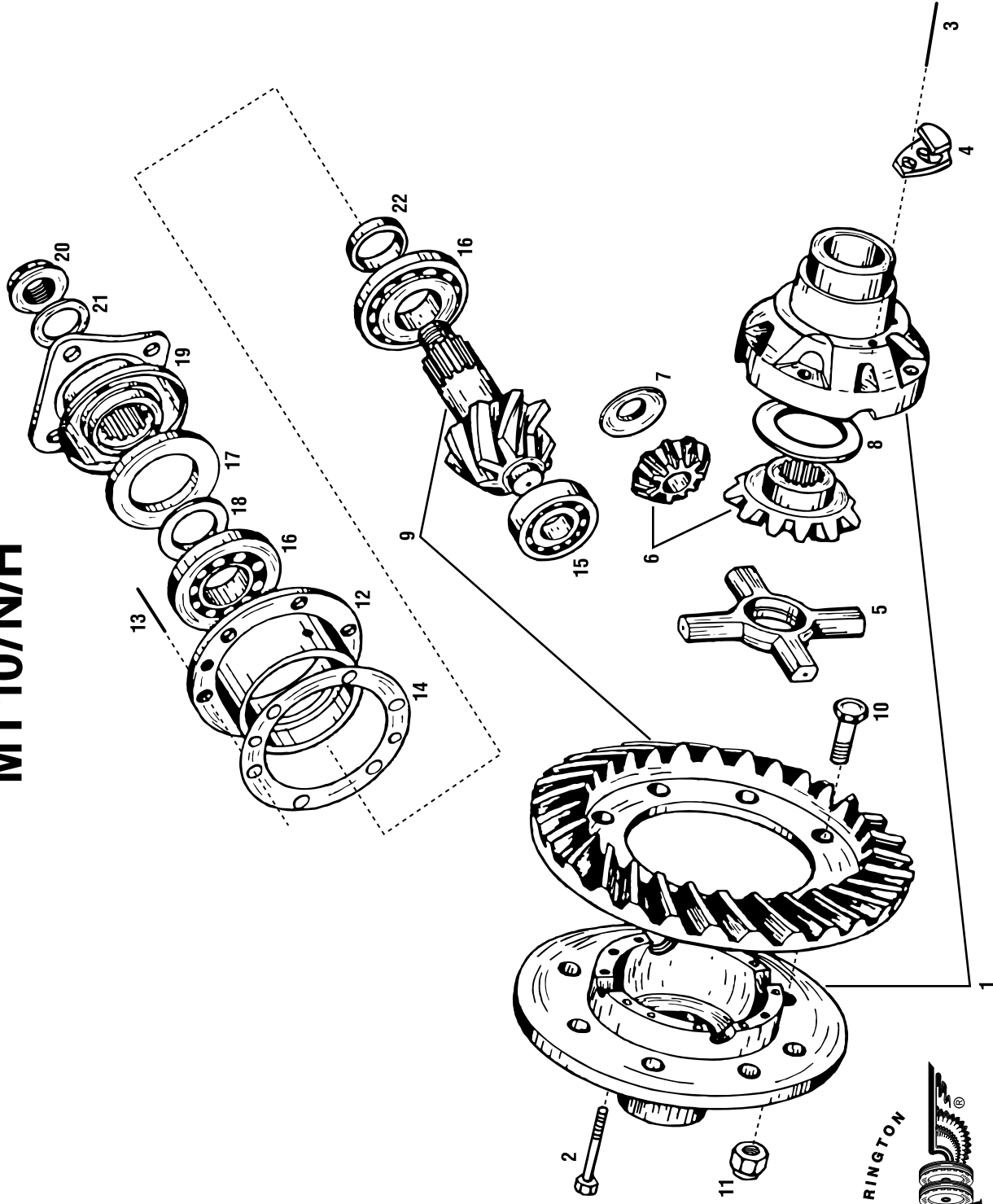
ITEM NO.	MH PART NO.	DESCRIPTION	QTY. REQ.	ITEM NO.	MH PART NO.	DESCRIPTION	QTY. REQ.
1	MT10-1040	Differential Carrier Housing Assy.	1				
2	MT10-1042	Flanged Bolt, Special	4				
3	MT22-1077	Flanged Bolt, Special	8				
4	MT10-1041	Hex Bolt, Special	4				
5	MT10-1043	Taper Roller Bearing	2				
6	MT10-1044	Bearing Adjuster	2				
7	MT22-1080	Adjuster Lock Plate	2				
8	MT22-1081	Lock Plate	2				
9	11500773	Hex Bolt	4				



**DIFFERENTIAL CARRIER HOUSING
MT10/N/H**

MARMON-HERRINGTON ALL-WHEEL DRIVE
 13001 Magisterial Drive • Louisville, KY 40223
 (502) 253-0277 • (800) 227-0727 • Fax (502) 253-0317
 E-mail: info@marmon-herrington.com

DIFFERENTIAL MT 10/N/H



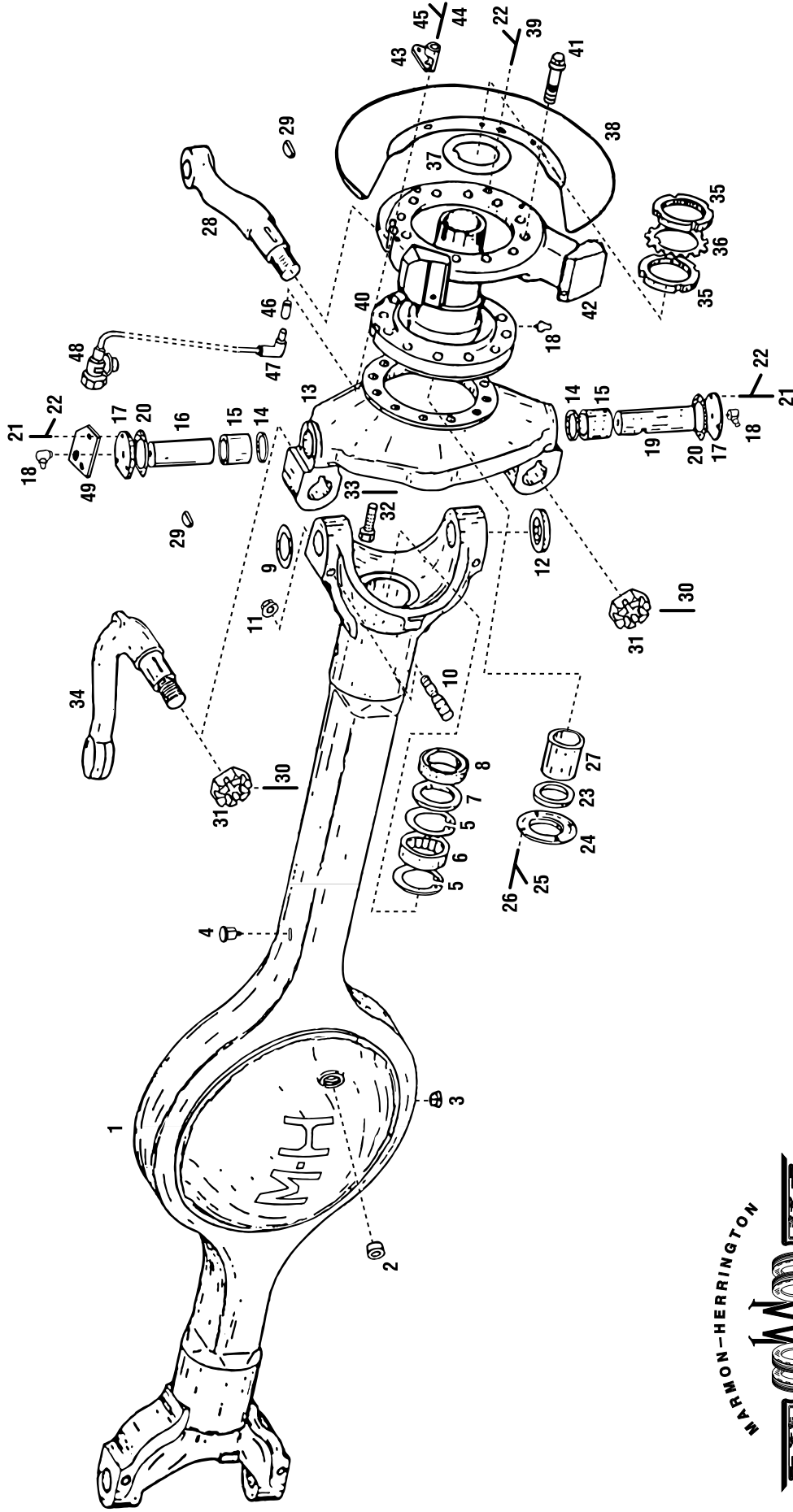
COMPLETE CARRIER ASSEMBLY							ITEM NO.	MH PART NO.	DESCRIPTION	QTY. REQ.
CARRIER P/N	PINION & RING GEAR RATIO	DIFFERENTIAL CASE		ITEM NO.	MH PART NO.	DESCRIPTION	QTY. REQ.			
MT10-1011	4.11	MT10-1049		14	MT10-1066A	Shim, 1.00 MM	AR			
MT10-1012	4.33	MT10-1049			MT10-1066B	Shim, 0.50 MM	AR			
MT10-1001	4.62	MT10-1052			MT10-1066C	Shim, 0.30 MM	AR			
MT10-1002	4.88	MT10-1052		15	MT10-1066D	Shim, 0.20 MM	AR			
MT10-1003	5.29	MT10-1052		16	MT10-1066E	Shim, 0.15 MM	AR			
MT10-1004	5.57	MT10-1052		17	MT10-1067	Roller Bearing	1			
MT10-1005	5.86	MT10-1052		18	MT10-1068	Pinion Bearing, Inner and Outer	2			
MT10-1006	6.14	MT10-1052		19	MT10-1069	Oil Seal, Pinion	1			
MT10-1009	6.50	MT10-1052		20	MT10-1070	Disk	1			
MT10-1007	6.83	MT10-1052		21	MT10-1071	Companion Flange	1			
MT10-1008	7.17	MT10-1052		22	MT10-1072	Self-Lock Nut	1			
					MT10-1073	Washer	1			
					MT10-1074A	Pinion Bearing Spacer, 13.950 MM	AR*			
					MT10-1074B	Pinion Bearing Spacer, 13.975 MM	AR*			
					MT10-1074C	Pinion Bearing Spacer, 14.000 MM	AR*			
					MT10-1074D	Pinion Bearing Spacer, 14.025 MM	AR*			
					MT10-1074E	Pinion Bearing Spacer, 14.050 MM	AR*			
					MT10-1074F	Pinion Bearing Spacer, 14.075 MM	AR*			
					MT10-1074G	Pinion Bearing Spacer, 14.100 MM	AR*			
					MT10-1074H	Pinion Bearing Spacer, 14.125 MM	AR*			
					MT10-1074I	Pinion Bearing Spacer, 14.150 MM	AR*			
					MT10-1074J	Pinion Bearing Spacer, 14.175 MM	AR*			
					MT10-1074K	Pinion Bearing Spacer, 14.200 MM	AR*			
					MT10-1074L	Pinion Bearing Spacer, 14.225 MM	AR*			
					MT10-1074M	Pinion Bearing Spacer, 14.250 MM	AR*			
					MT10-1074N	Pinion Bearing Spacer, 14.275 MM	AR*			
					MT10-1074P	Pinion Bearing Spacer, 14.300 MM	AR*			
					MT10-1074Q	Pinion Bearing Spacer, 14.325 MM	AR*			
					MT10-1074R	Pinion Bearing Spacer, 14.350 MM	AR*			
					MT10-1074S	Pinion Bearing Spacer, 14.375 MM	AR*			
					MT10-1074T	Pinion Bearing Spacer, 14.400 MM	AR*			
					MT10-1074U	Pinion Bearing Spacer, 14.425 MM	AR*			
					MT10-1074V	Pinion Bearing Spacer, 14.450 MM	AR*			
					MT10-1074W	Pinion Bearing Spacer, 14.475 MM	AR*			
					MT10-1074X	Pinion Bearing Spacer, 14.500 MM	AR*			
					MT10-1074Y	Pinion Bearing Spacer, 14.525 MM	AR*			
					MT10-1074Z	Pinion Bearing Spacer, 14.550 MM	AR*			
					AR = As Required					
					*Note: Choose 2 to produce proper bearing preload.					

MARMON-HERRINGTON ALL-WHEEL DRIVE
 13001 Magisterial Drive • Louisville, KY 40223
 (502) 253-0277 • (800) 227-0727 • Fax (502) 253-0317
 E-mail: info@marmon-herrington.com

**DIFFERENTIAL
 MT10/N/H**



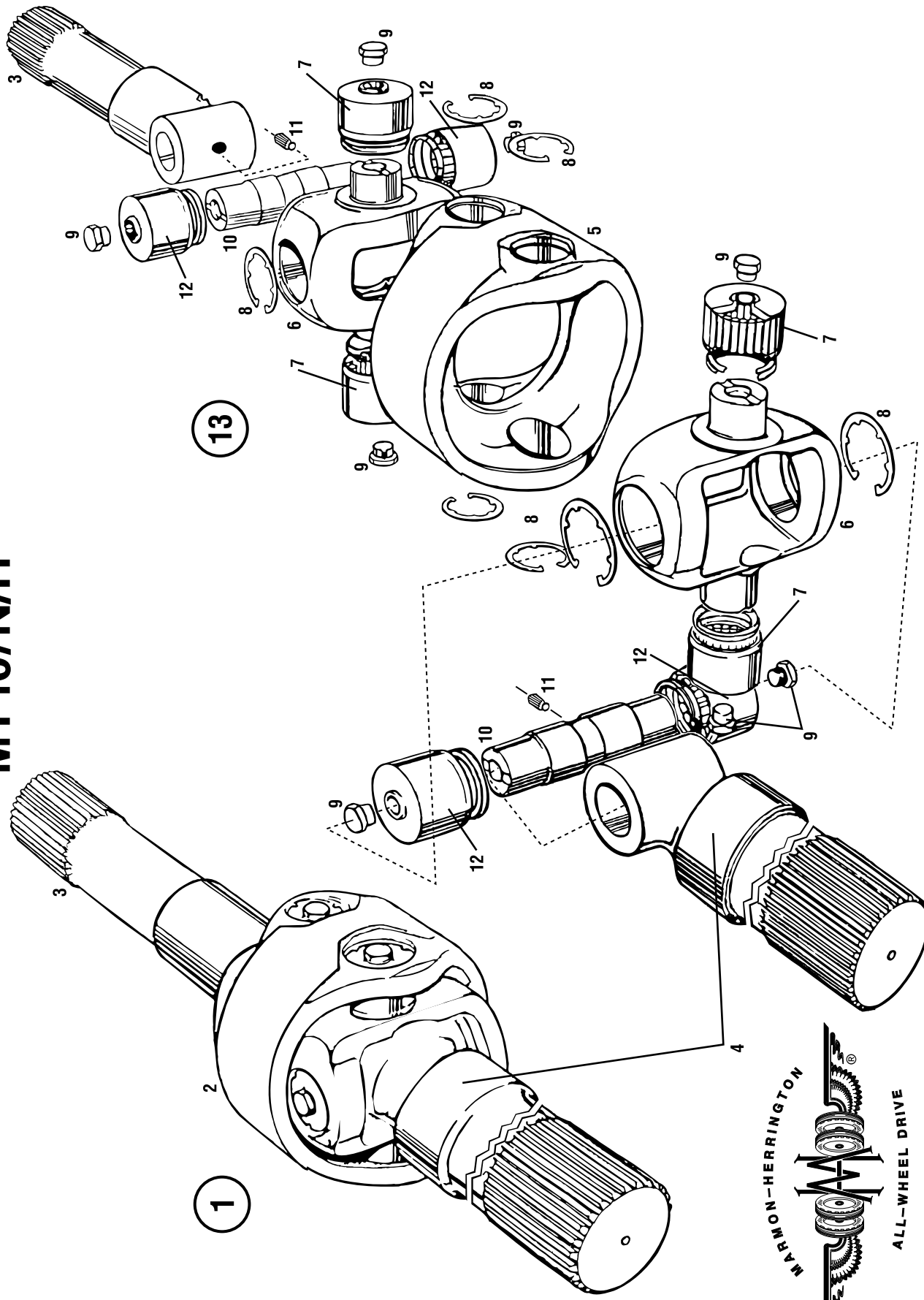
AXLE HOUSING MT 10/N/H



ITEM NO.	MH PART NO.	DESCRIPTION	QTY. REQ.	ITEM NO.	MH PART NO.	DESCRIPTION	QTY. REQ.
1	MT10-1075	Axle Housing	1	28	MT10-1096	Tie-Rod Arm, L.H.	1
2	MT14-1070	Fill Plug	1	29	MT10-1097	Tie-Rod Arm, R.H.	1
3	MT14-1071	Magnetic Drain Plug	1	30	MT93-2308	Woodruff Key	3
4	MT14-1068	Vent	1	31	103415	Cotter Pin	3
5	MT22-1115	Snap Ring	4	32	MT10-1099	Castle Nut	3
6	MT22-1114	Cylindric Roller Bearing	2	33	MT10-1100	Turn Stop Bolt	2
7	MT22-1116	Oil Seal	2	34	MT10-1101	Jam Nut	2
8	MT10-1079	Oil Seal Support Assy.	2	35	MT10-1102	Steering Arm	1
9	MT10-1080	Felt Wiper	2	36	MT22-1132	Spindle Nut	4
	MT10-1081A	Shim, 0.40 MM	AR	37	MT22-1133	Lock Plate	2
	MT10-1081B	Shim, 0.60 MM	AR	38	MT10-1103	Lock Disk	2
	MT10-1081C	Shim, 1.00 MM	AR	39	MT10-1104	Dust Shield	2
	MT10-1081D	Shim, 1.20 MM	AR	40	11500680	Hex Bolt	6
	MT10-1081E	Shim, 1.40 MM	AR	41	MT10-1108	Spindle, L.H.	1
10	MT10-1132	Lock Pin	4	42	MT10-1109	Spindle, R.H.	1
11	MT10-1133	Flanged Nut	4	43	MT10-1105	Hex Flange Bolt	24
12	MT10-1082	Taper Roller Thrust Bearing	2	44	MT10-1106	Brake Support, L.H.	1
13	MT10-1150	Steering Knuckle Assy., L.H.	1	45	MT10-1107	Brake Support, R.H.	1
14	MT10-1084	Steering Knuckle Assy., R.H.	1	46	MT93-1109	Sensor Holder	2
15	MT10-1087	Grease Seal	4	47	11500713	Hex Bolt	4
16	MT10-1088	Bushing-Knuckle Pin	4	48	11500191	Lock Washer	4
17	MT10-1089	Kingpin Upper	2	49	MT93-1283	Clamp Sleeve	2
18	MT10-1090	Cap	4		CT8-1091	Revolution Sensor	2
19	MT14-1119	Grease Fitting 45°	6		CT8-1092	Connecting Holder	1
20	MT10-1091	Kingpin Lower	2		CT8-1093	Holder Plate	2
21	MT10-1092	Gasket	4				
22	11500716	Hex Bolt	12				
23	11500191	Lock Washer	18				
24	MT14-1092	Oil Seal	2				
25	MT10-1094	Dust Plate	2				
26	11500190	Lock Washer	8				
27	11503946	Hex Bolt	8				
	MT10-1095	Bushing	2				
						AR = As Required	



AXLE SHAFT ASSEMBLY MT10/N/H

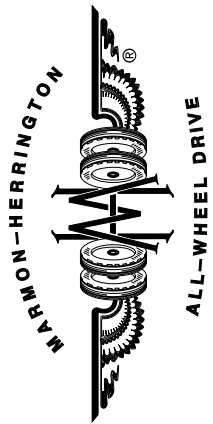
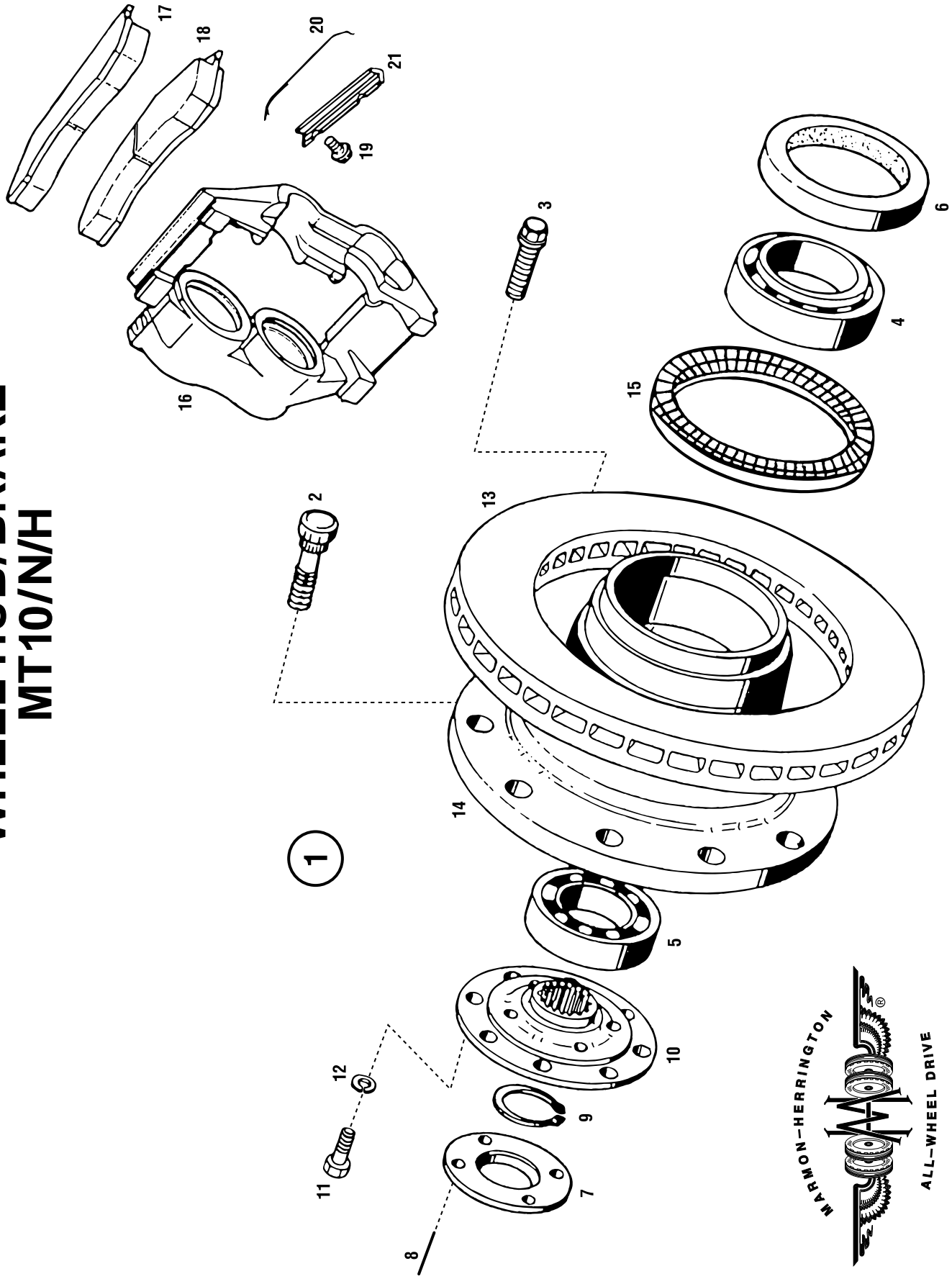


ITEM NO.	MH PART NO.	DESCRIPTION	QTY. REQ.	ITEM NO.	MH PART NO.	DESCRIPTION	QTY. REQ.
1	MT10-1110	Axle Shaft Assembly, L.H.	1				
	MT10-1111	Axle Shaft Assembly, R.H.	1				
2	MT22-1147	Cardan Joint Assembly	2				
3	MT10-1112	Outer Axle Shaft	2				
4	MT10-1113	Inner Axle Shaft, L.H., Long	1				
	MT10-1114	Inner Axle Shaft, R.H., Short	1				
5	MT22-1225	Joint Hub	2				
6	MT22-1226	Spider	NSS				
7	MT22-1227	Bearing Cap Assembly 7/8"	NSS				
8	MT22-1228	Snap Ring	16				
9	MT22-1229	Taper Screw Plug, M12x1.5	16				
10	MT22-1230	Joint Pin	4				
11	MT22-1231	Set Screw	4				
12	MT22-1232	Bearing Cap Assembly 1"	NSS				
13	MT10-1134	Cardan Joint Kit (Includes Items #6-12)	4				
		NSS = Not Sold Separately					

**AXLE SHAFT ASSEMBLY
 MT10/N/H**



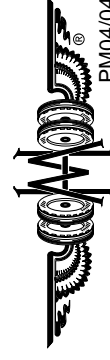
WHEEL HUB/BRAKE MT10/N/H



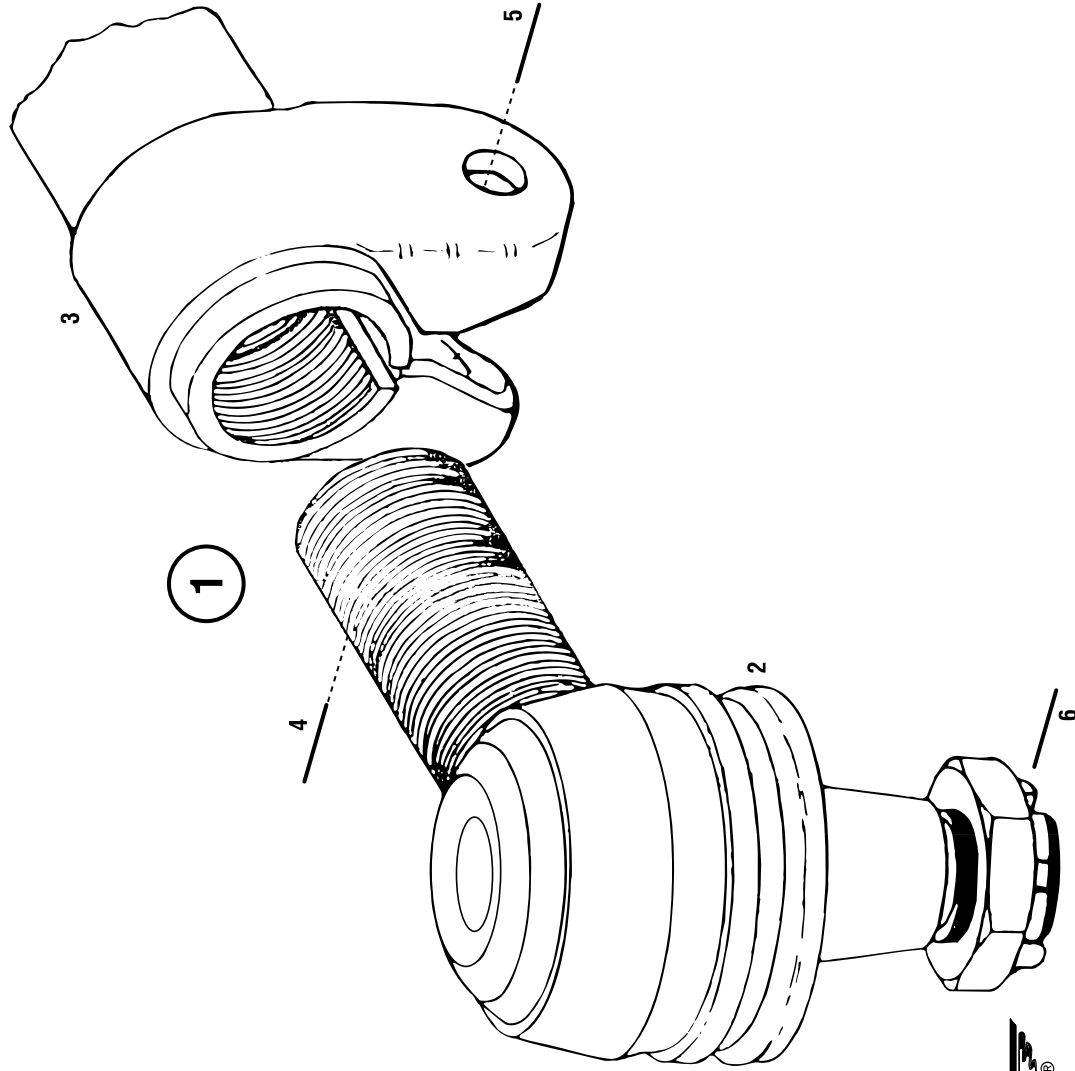
ITEM NO.	MH PART NO.	DESCRIPTION	QTY. REQ.	ITEM NO.	MH PART NO.	DESCRIPTION	QTY. REQ.
1	MT10-1138	Hub and Rotor Assy. (MT10H) (10 Stud)	2				
	MT10-1115	Hub and Rotor Assy. (MT10) (10 Stud)	2				
	MT10-1116	Hub and Rotor Assy. (MT10H-8) (8 Stud)	2				
2	MT93-2213	Wheel Stud (MT10H Only)	20				
	MT10-1119	Wheel Nut, M20x1.5 (MT10H)	20				
	MT10-1117	Wheel Bolt, 3/4"-16 (MT10)	20				
	T15371	Wheel Nut, R.H. (MT10/N)	20				
	MT10-1126	Wheel Stud (MT10N Only)	20				
	T15371	Wheel Nut, R.H. (MT10/N)	20				
	MT10-1118	Wheel Stud M22x1.5x64 (MT10H-8)	16				
	MT10-1119	Wheel Nut, M20x1.5 (MT10H)	16				
	MT93-2709	Wheel Stud, (MT10H8X)	16				
3	MT10-1120	Hex Flanged Bolt	16				
4	MT10-1121	Wheel Bearing, Inner	2				
5	MT10-1043	Wheel Bearing, Outer	2				
6	MT10-1123	Oil Seal, Hub	2				
7	MT10-1051	Cover	2				
8	11500713	Hex Bolt	8				
9	MT10-1124	Snap Ring	2				
10	MT10-1050	Drive Flange	2				
11	2T351	Hex Bolt, 1/2" -20x1 ³ / ₈ "	16				
12	103323	Washer	16				
13	MT10-1125	Brake Rotor	2				
14	MT10-1135	Wheel Hub (MT10N/H/CT8H)	2				
15	MT93-1418	Impulse Ring (100 Tooth)	2				
	MT93-2801	Impulse Ring (76 Tooth)	2				
16	MT75-8284	Caliper Assy.	2				
17	MT93-1049	Brake Lining, Outer, LH	1				
	MT93-1050	Brake Lining, Outer, RH	1				
18	MT93-1051	Brake Lining, Inner	2				
19	MT75-8288	Bolt	2				
20	MT75-8289	Spring	2				
21	MT75-8290	Key Bracket	2				

MARMON-HERRINGTON ALL-WHEEL DRIVE
 13001 Magisterial Drive • Louisville, KY 40223
 (502) 253-0277 • (800) 227-0727 • Fax (502) 253-0317
 E-mail: info@marmon-herrington.com

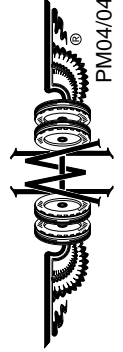
WHEEL HUB/BRAKE MT10/N/H



TIE-ROD MT10/N/H



ITEM NO.	MH PART NO.	DESCRIPTION	QTY. REQ.	ITEM NO.	MH PART NO.	DESCRIPTION	QTY. REQ.
1	MT10-1127	Tie-Rod Assembly	1				
2	MT10-1128	Ball Joint Head, Left	1				
	MT10-1129	Ball Joint Head, Right	1				
3	MT10-1131	Tie-Rod Tube, with Clamps	1				
4	11500735	Hex Bolt, M12x65-1.75	2				
5	11500756	Self-locking Nut, M12-1.75	2				
6	103411	Cotter Pin, 3/16x2	2				



**TIE-ROD
MT10/N/H**



13001 Magisterial Drive • Louisville, KY 40223
(502) 253-0277 • (800) 227-0727 • Fax (502) 253-0317
E-mail: info@marmon-herrington.com