

FIELD SERVICE BULLETIN



Date: January 9, 2002
 File Group: 03 Section: Rear Suspension
 ATTENTION: Service Manager

Distribution Copy:
 ✓ Dealer Principal
 ✓ Warranty Manager
 ✓ Parts Manager
 ✓ Sales Manager

Revised Installation of Height Control Valve for FLEX Air™ Rear Suspension

This bulletin is applicable to all vehicles built on and after December 17, 2001 and equipped with a FLEX Air™ rear suspension. It summarizes the changes in the mounting of the height control valve (HCV) for this suspension.



NOTE: No changes to valve plumbing or servicing procedures are caused as a result of this revised HCV installation. Similarly, the procedure for setting and adjusting ride height and pinion angles on the above vehicles is the same as currently presented in [F.S.B.#6-01](#) and [Section 6. "Rear Suspension"](#) in the master maintenance manual.

A design improvement that enhances the overall FLEX Air suspension installation was implemented in production on December 17, 2001. The location and orientation of the HCV mounting bracket was changed so that future FLEX Air suspensions will now use the same HCV/bracket assembly as do all other Peterbilt proprietary rear air suspensions (see Parts Notes below). Figures 1 through 4 illustrate these changes:

- [Figure 1](#) and [Figure 2](#) illustrate the original and revised HCV mounting bracket locations, respectively. The bracket is now inverted (the bracket leg now faces forward) and is mounted higher on the frame rail to clear the lower flange of the frame rail. [NOTE: Because of this change in mounting height, the vehicles noted above require a new, longer HCV link assembly (see Parts Notes below).]
- [Figure 3](#) and [Figure 4](#) illustrate the reversing of the orientation of the HCV bracket mounting bolts. Bolts are now installed “nut-side out” to prevent interference between the bolt and an air bag installation tool (90-degree air ratchet).

Parts Notes

1. The parts mentioned in this bulletin are summarized below and are available from PACCAR Parts using normal ordering procedure:

Item Description	Part Number	
	Before 12/17/01	On and After 12/17/01
FLEX Air HCV Mounting Bracket	08-03239-013/014	08-03239-003/004
FLEX Air HCV Link Assembly	48100225	32063

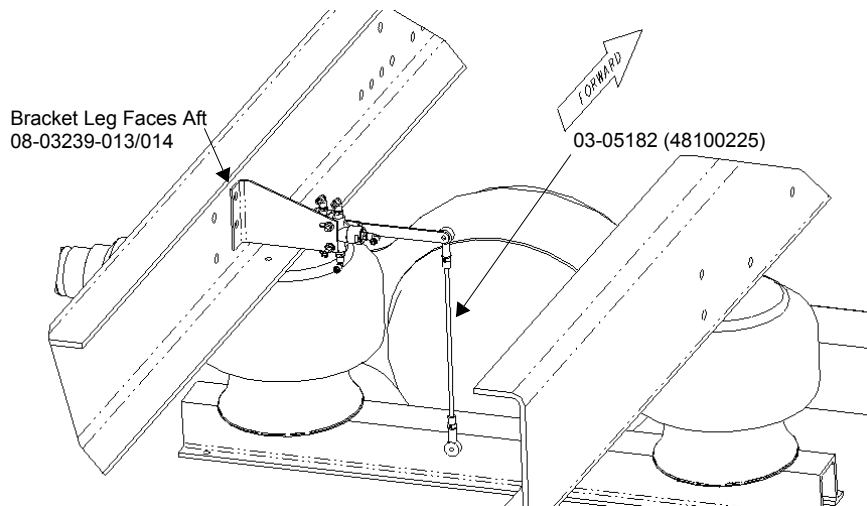


Figure 1 Illustration of *FLEX* Air HCV Mounting Bracket Installation Before 12/17/01

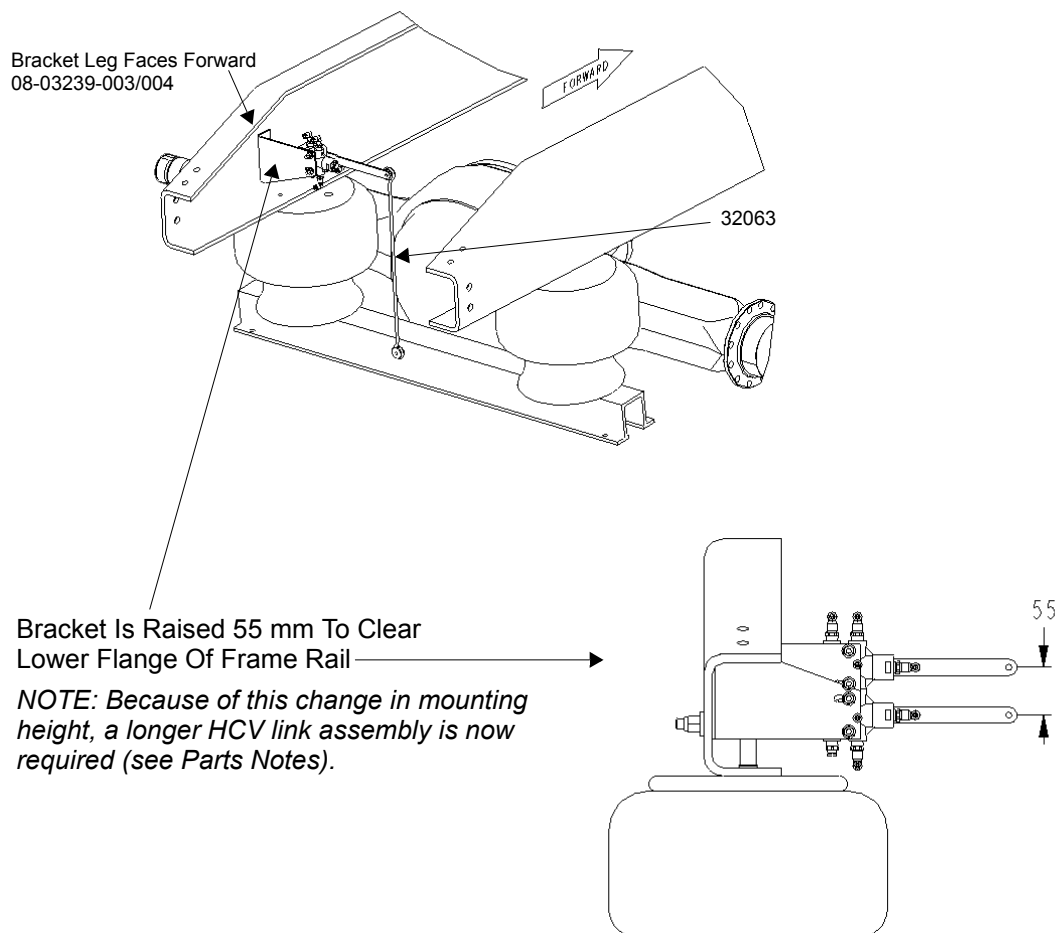


Figure 2 Illustration of *FLEX* Air HCV Mounting Bracket Installation On And After 12/17/01

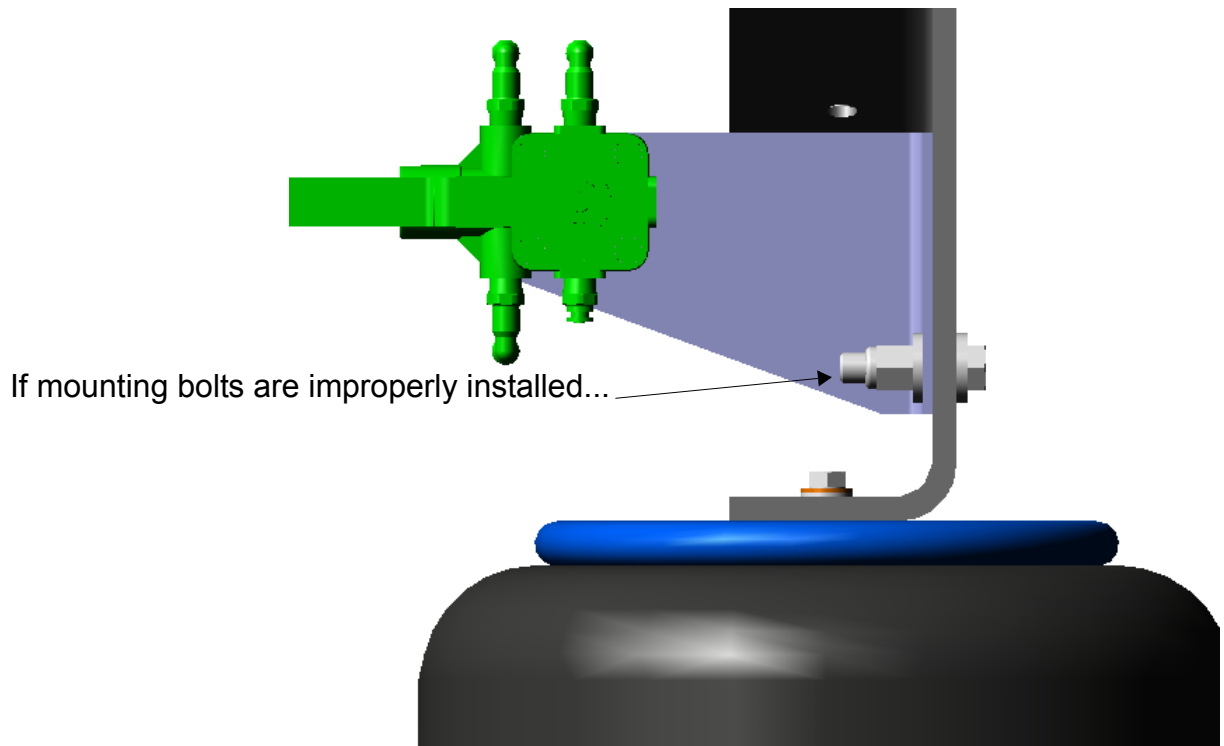


Figure 3 Improper Installation of HCV Bracket Mounting Bolts (“Head-Side Out”)

...then the bolts will interfere with the air bag installation tool.

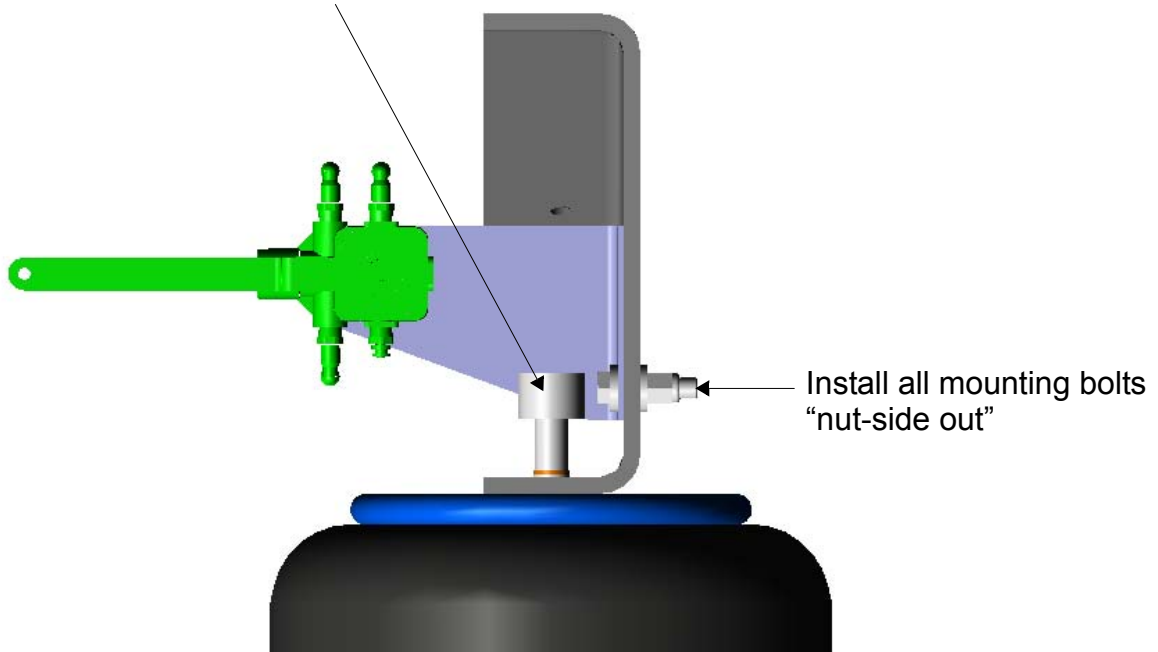


Figure 4 Proper Installation of HCV Bracket Mounting Bolts (“Nut-Side Out”)