

LPT 1618/52, 697 TCIC EUROIII
(PARTS LIST)

SPT 220 . APRIL 2009

PRELIMINARY REMARKS

This list comprises of parts for Engine, Gear Box, Chassis Parts and Sheet Metal Parts of the under mentioned vehicle.

CHASSIS TYPE	VC NO	DESCRIPTION	ENGINE TYPE
485 103	28095252000L	FULL FORWARD CONTROL CHASSIS WITH NON SLEEPER TILT CAB (709), WITHOUT LOAD BODY, TRUCK VERSION, WITH 697 TCIC EURO III ENGINE WITH HEATING AND DEMISTING, WITH FULL AIR 'S' CAM BRAKE, 5195mm WB.	697 TCIC EURO-III

INSTRUCTIONS

The designation "Left and Right" as well as "Front" and "Rear" refer to the driving direction

The indication "First", "Second" (e.g. Cross member of frame) are counter from the radiator side

The word "Optional" in the remarks column against an item having two or more part numbers indicates that depending on availability, the item will be supplied under any one of these part numbers

The designation "AR" in column "Quantity" stands for "As Required"

The illustrations of parts of the table are only for easy reference and they may not be exact replica of the part.

The parts fitted on the vehicle are subject to modification without prior notice.

This is a publication of the Parts Head Quarters of the TATA MOTORS LIMITED.

Any Correspondence relating to this Parts List be made to:

**Technical Cell
Tata Motors Ltd.,
Parts Head Quarters,
Teen Hath Naka,
Gyan Sadhana College Service Road,
Thane-400 604.**

INTRODUCTION

WHEN ORDERING PARTS, PLEASE INDICATE

Chassis Type and Chassis Number

Engine Type and Engine Number

Part No. - See Column "PART NUMBER"

Precise Description - See Column "DESCRIPTION"

WHEN ORDERING PARTS FOR AGGREGATES, PLEASE INDICATE THE AGGREGATE NUMBER

Gear Box Unit No. -

Rear Axle Unit No. -

Steering Unit No. -

00.01.01

ENGINE

GROUP 01

CHASSIS TYPE: ALL

NO IMAGE

00.01.01		ENGINE		GROUP 01	
CHASSIS TYPE: ALL					
FIG. NO.	PART NUMBER	DESCRIPTION	QTY	REMARKS	
-	252501610103	ASSY.ENG.COMPLETE:697 TCIC E-III 180PS 2	1		
-	252501990218	HALF BLOCK 697TCIC BS-III	1		
-	252501990217	LONG BLOCK 697TCIC BS-III	1		

00.01.02

ENGINE GASKET KIT

GROUP 01

CHASSIS TYPE: ALL

NO IMAGE

00.01.02		ENGINE GASKET KIT		GROUP 01
CHASSIS TYPE: ALL				
FIG. NO.	PART NUMBER	DESCRIPTION	QTY	REMARKS
	252501990221	ENGINE OVERHAUL GASKET KIT (BS III); CONSISTS OF :	1	
		SEALING WASHER 12X15.5	4	
		SEALING WASHER 14X18	15	
		SEALING WASHER 16X20	1	
		SEALING WASHER A14X20	1	
		SEALING WASHER 8X11.5	4	
		SEALING WASHER 8X14	16	
		SEALING WASHER 10X14	3	
		SEALING WASHER 14X20	1	
		SEALING WASHER 16X20	2	
		SEALING WASHER 16X22	2	
		SEALING WASHER 18X22	2	
		SEALING WASHER 22X27	4	
		SEALING WASHER 24X29	1	
		GASKET	1	
		GASKET (TIMING GEAR HOUSING)	1	
		GASKET	1	
		GASKET (PUSH ROD CHAMBER COVER)	1	
		GASKET, CYLINDER HEAD COVER	1	
		GASKET, CYLINDER HEAD (NON RETORQUE)	1	
		GASKET, CYLINDER HEAD COVER (TOP ENTRY) TO ELBOW	1	
		SEALING RING HALF	2	
		GASKET	1	
		GASKET, EXHAUST MANIFOLD	2	
		GASKET	1	
		GASKET	1	
		GASKET, OIL COOLER	1	
		SEALING WASHER	6	
		SEALING WASHER	6	
		GASKET, WATER PUMP	1	
		GASKET, WATER PUMP	1	
		GASKET, TIMING GEAR HOUSING COVER	1	
		GASKET, SUPPORT (FIP) BS II	1	
		GASKET, FIP TO SUPPORT BS II	1	
		GASKET, WATER PUMP	1	
		GASKET	1	

00.01.02

ENGINE GASKET KIT

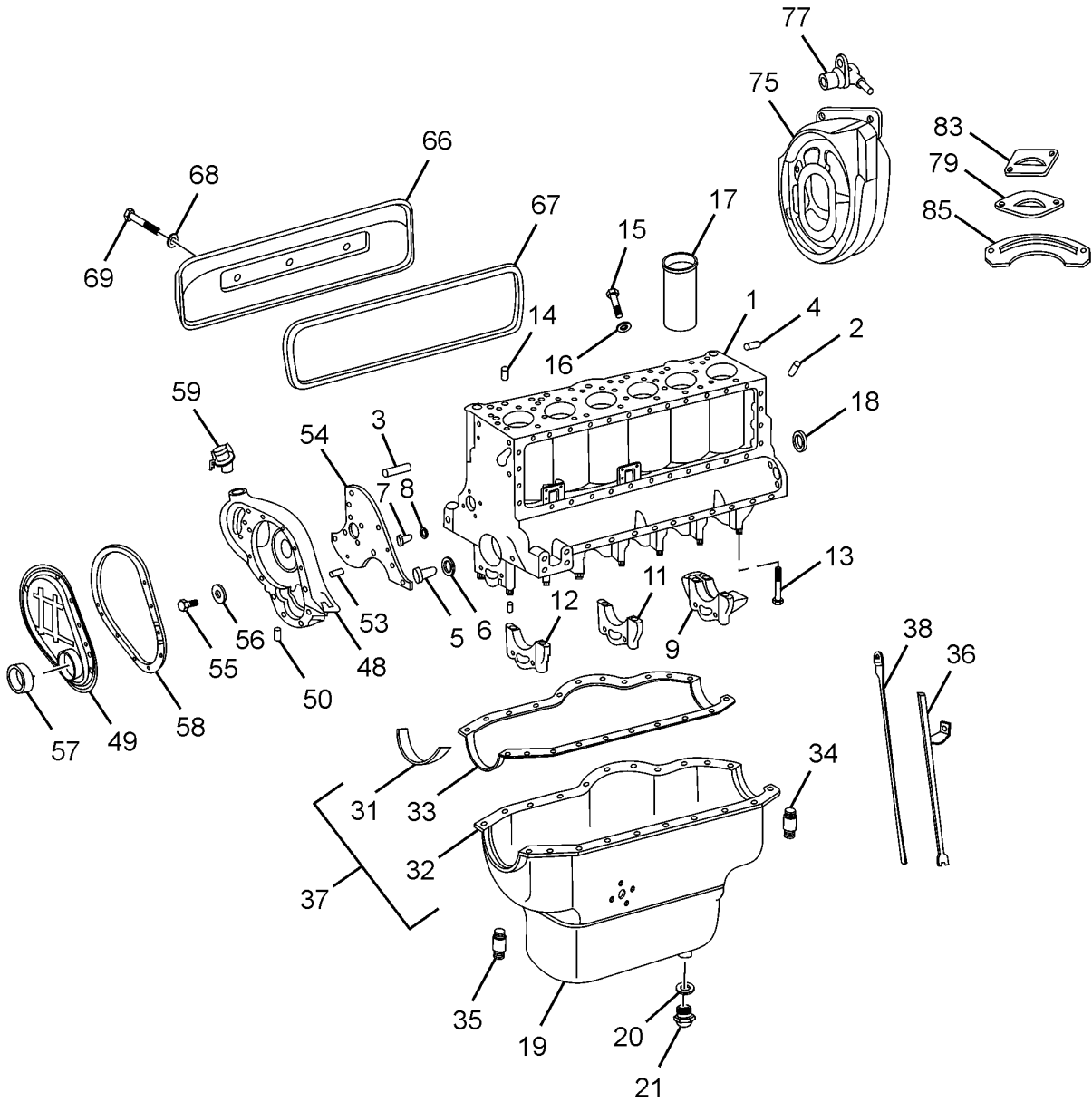
GROUP 01

CHASSIS TYPE: ALL

NO IMAGE

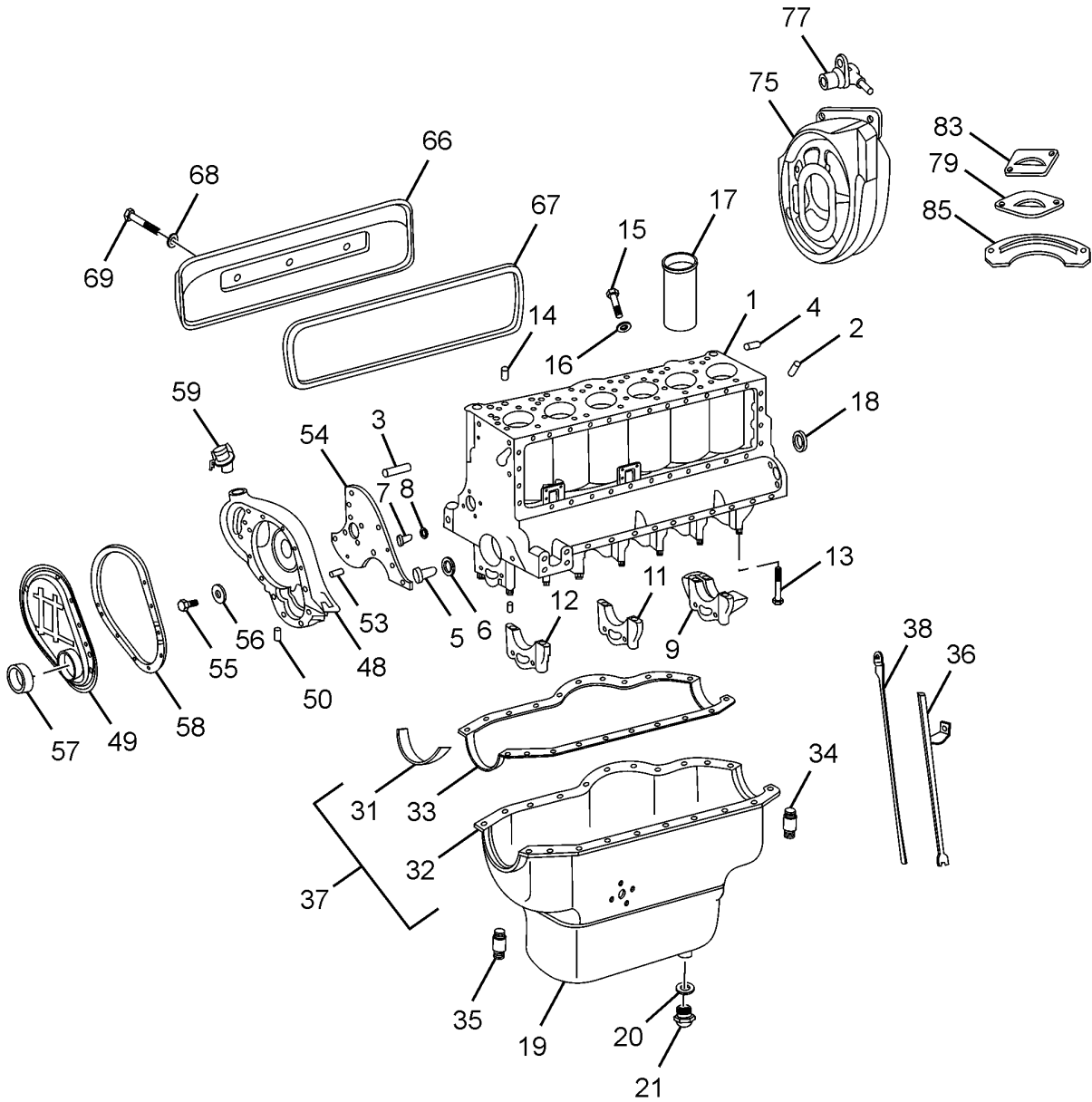
00.01.02		ENGINE GASKET KIT		GROUP 01
CHASSIS TYPE: ALL				
FIG. NO.	PART NUMBER	DESCRIPTION	QTY	REMARKS
	885401162525	GASKET, OIL SUMP	1	
		GASKET	1	
		GASKET (94 DIA. A/C HEAD)	1	
		GASKET	2	
		DECARBONISING GASKET KIT 697TCIC	1	
		BS-III; CONSISTS OF :		
		GASKET, CYLINDER HEAD	1	
		GASKET, CYLINDER HEAD COVER	1	
		GASKET, EXHAUST MANIFOLD	2	
		GASKET, TURBO CHARGER	1	
		GASKET, EXHAUST PIPE	1	

CHASSIS TYPE: ALL



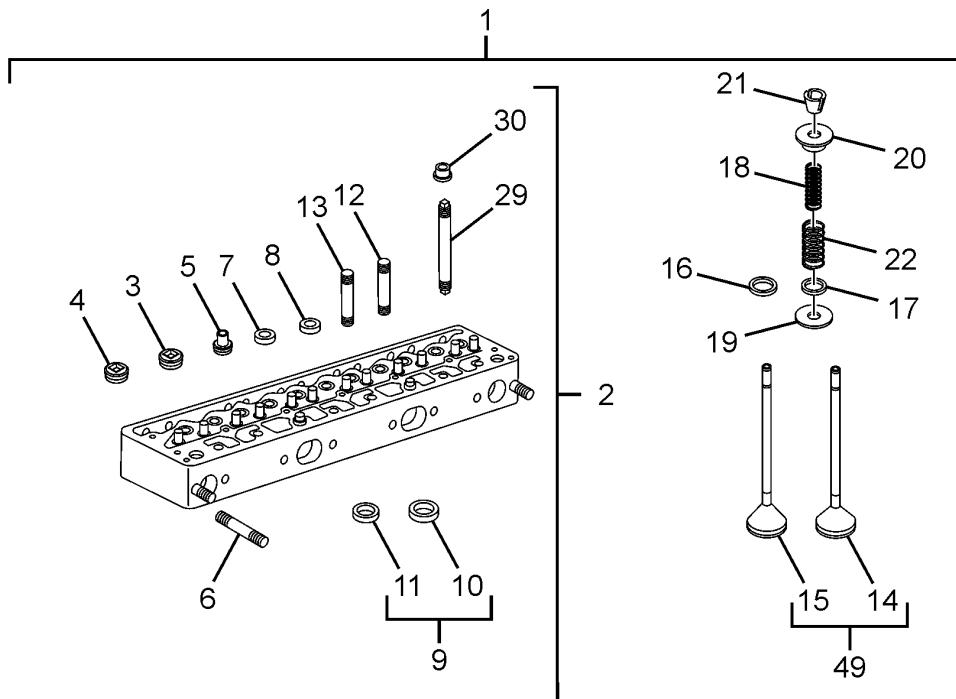
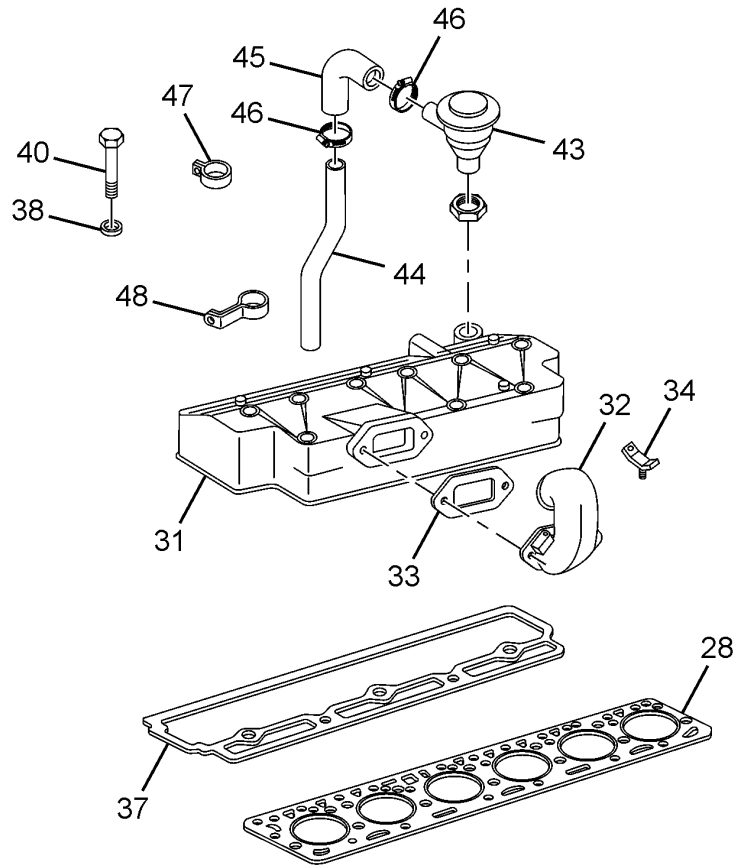
00.01.03		CYLINDER BLOCK		GROUP 01	
CHASSIS TYPE: ALL					
FIG. NO.	PART NUMBER	DESCRIPTION	QTY	REMARKS	
1	252501100298	ASSY.CYL.CRANKCASE W/O FLYWHEEL HOUSING	1		
17	252701103727	CYLINDER LINER	6		
2	3121881135P	SLEEVE	1		
3	3219920025	SLEEVE, CLAMPING	1		
4	13050910304	PIN CYLINDRICAL 12H 8X30 (TO LOCATE FLYWHEEL HSG)	2		
5	3520110335	SCREW PLUG (FOR PLUGGING OIL HOLE)	1		
6	16220710282	SEALING WASHER A 18X22 CU	1		
7	16081001603	SEALING PLUG AM 16X1.5	2		
8	16220710258	SEALING WASHER A 16X22 CU	2		
9		MAIN BEARING CAP NO. 7	1	NOT SERVICED LOOSE	
	13050508166	CYL. PIN 8 M 6X16	14		
11		MAIN BEARING CAP NO. 4	1	NOT SERVICED LOOSE	
12		MAIN BEARING CAP NO. 1, 2, 3, 5 & 6	5	NOT SERVICED LOOSE	
13	252501159910	HEX.HEAD SCREW (FOR M.B.CAP MTG.)	14		
14	3129910260	CYLINDER PIN (CYL HEAD TO CYL BLOCK)	2		
15	252301107201	SEALING PLUG(FOR DRAIN HOLE IN CYL CRANKCASE)	1		
16	16220710282	SEALING WASHER 18X22 CU	1		
18	3219970020	LOCKING COVER (FOR CAMSHAFT BORE)	1		
	1869910055	LOCATING PIN	1		
19	252501130165	ASSY. OIL SUMP	1		
20	16220710282	SEALING, WASHER 18X22 CU	1		
21	253401130111	MAGNETIC DRAIN PLUG	1		
37	3520101980	ASSY. GASKET OIL SUMP; CONSISTS OF (FIG. NOS 31,32,33) :	1		
31		GASKET (M.B. CAP REAR AND COVER TGH)	2	NOT SERVICED LOOSE	
32		GASKET LH	1	NOT SERVICED LOOSE	
33		GASKET RH	1	NOT SERVICED LOOSE	

CHASSIS TYPE: ALL



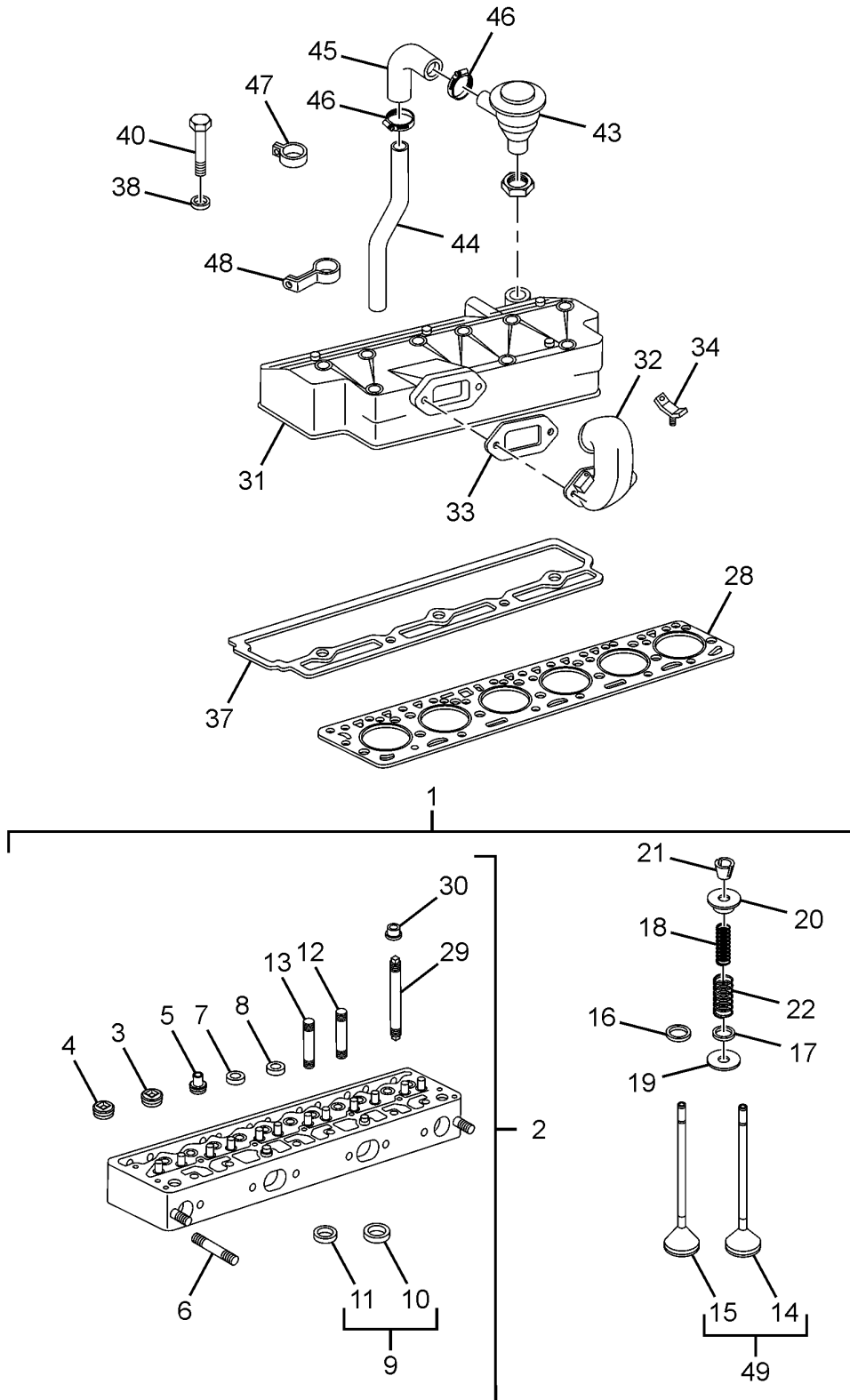
00.01.03		CYLINDER BLOCK		GROUP 01
CHASSIS TYPE: ALL				
FIG. NO.	PART NUMBER	DESCRIPTION	QTY	REMARKS
34	11632496011	STUD BM 8X20 (ON FRONT & LAST HOLES OF OIL SUMP GASKET)	2	
35	252301130114	ASSY. COMBI SCREW	18	
36	252501170219	ASSY. TUBE (FOR DIP STICK) (VERTICAL DIPSTICK)	1	
38	252501170212	ASSY. DIP STICK COMPLETE (VERTICAL DIPSTICK)	1	
	17050500101	O' RING 6X1.80 (FOR DIP STICK)	1	
	3129952420	CLAMP (DIPSTICK CLAMPING)-AT RAD.FRAME	1	
48	252701140117	ASSY. TIMING GEAR HOUSING WITH BOTTOM COVER	1	
49	252701143706	COVER FRONT TGH WITHOUT OIL HOLE	1	
50	13050508166	PIN CYLINDRICAL 8 M 6X16	2	
53	13050909250	PIN CYLINDRICAL (ON CYL. BLOCK MTG. FACE)	4	
54	252701145305	GASKET (T.G.H. COVER)	1	
55	11323998045	SCREW M 10X25	3	
56	3129940310	LOCKING PLATE	3	
57	252501147701	PTFE SEAL-CRANKSHAFT (FENNER)	1	
58	3120150580	GASKET (T.G. HSG.TO CYL BLOCK)	1	
59	253401140119	ASSY. PLUG(TIMING GEAR HOUSING)--ON TGH	1	
66	252501140114	ASSY. COVER (PUSH ROD CHAMBER)	1	
67	252501146301	GASKET (P.R.C. COVER)	1	
68	16220710096	SEALING WASHER 8X11.5 CU	4	
69	11323908453	SCREW M 8X45	4	
75	252503113724	FLYWHEEL HOUSING (EURO-III)	1	
77	264154209963	ENGINE SPEED SENSOR	1	F2
	11341506141	HEX FL SCREW M6X14 (SENSOR TO FLYWHEEL HSG)	1	
79	252503118204	COVER	1	
83	252503118201	COVER	3	
85	252503118203	BACK COVER	1	

CHASSIS TYPE: ALL



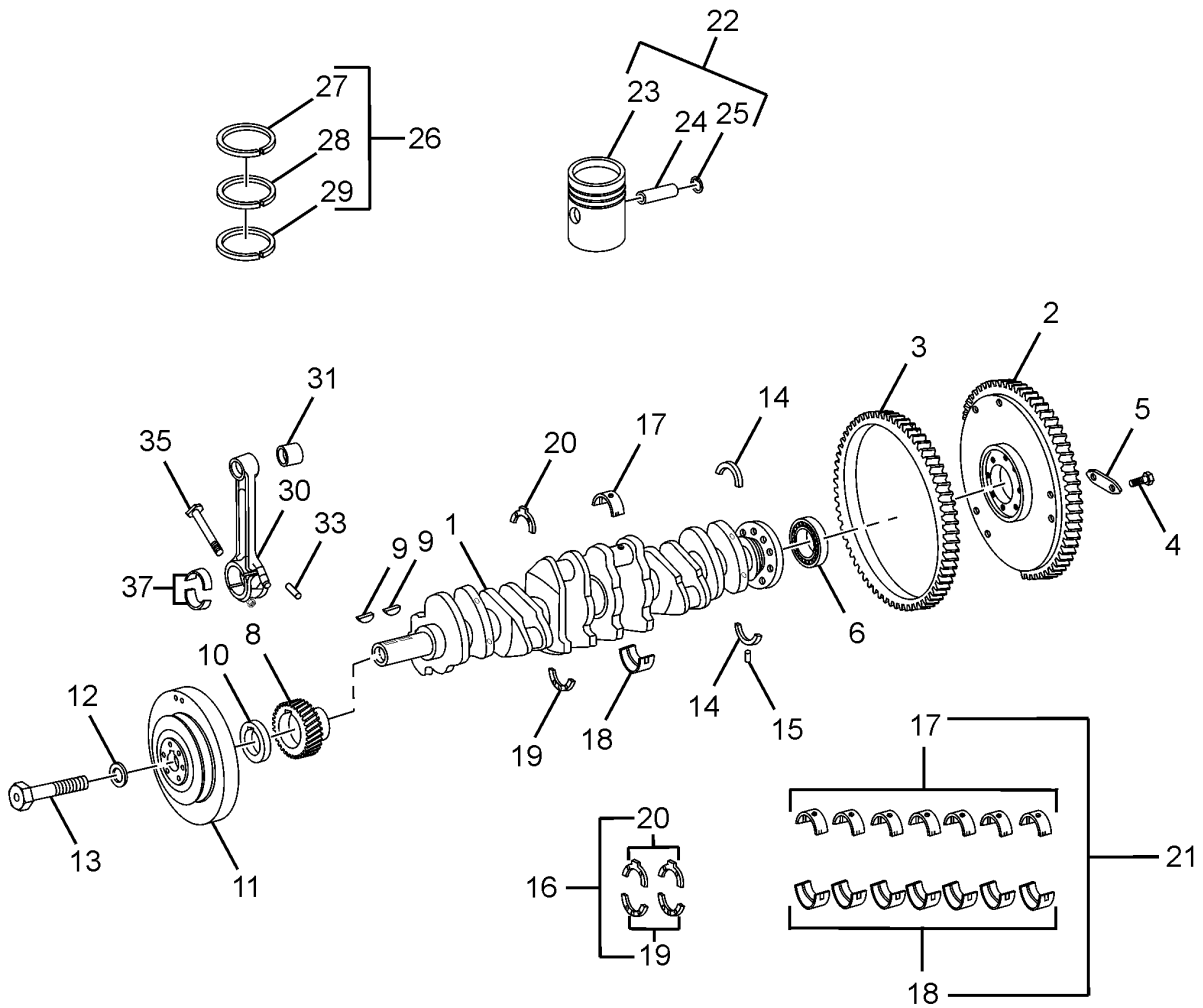
00.01.04		CYLINDER HEAD AND COVER		GROUP 01
CHASSIS TYPE: ALL				
FIG. NO.	PART NUMBER	DESCRIPTION	QTY	REMARKS
1	252501150190	ASSY.CYL.HEAD WITH VALVES(60 DEG)-BS-III	1	
2	252501150191	ASSY.CYL.HEAD WITHOUT VALVES (60 DEG)	1	
3	16081803009	PLUG MC 30X15	5	
4	16081802401	PLUG MC 24X15	2	
5	253401153204	SEAT PLUG (ON CYL.HEAD)	2	
6	11631610406	STUD AM 10X40	2	
7	254701108205	CORE PLUG [20 DIA.]	6	
8	252501108203	CORE PLUG (22DIA.) 697 ENGINE CYL.HEAD	AR	
9	885401172525	SET OF VALVE SEAT RINGS (STD) ; CONSISTS OF :	1	
10		VALVE SEAT RING INLET STD	6	NOT SERVICED LOOSE
11		VALVE SEAT RING EXHAUST STD	6	NOT SERVICED LOOSE
12	253405153402	VALVE GUIDE INLET STD.	6	
13	253405153415	VALVE GUIDE EXHAUST STD.	6	
16	253405159909	VALVE GUIDE SEAL (INLET)	6	
17	253405159910	VALVE GUIDE SEAL (EXHAUST)	6	
18	253405158701	VALVE SPRING (INNER)	12	
22	253405158702	VALVE SPRING (OUTER)	12	
19	3529902040	VALVE SPRING WASHER	12	
20	252505155102	LOCK RETAINER VALVE SPRING	12	
21	3120530127	VALVE SPRING LOCK HALF	24	
28	252501155336	GASKET (CYL. HEAD TO CYL.BLOCK)	1	
29	3229900505	STUD BOLT CYL CRANKCASE	25	SET A
30	3150380072	HEX NUT	25	SET A
29	252501159912	HEX.COLLAR BOLT W/ RELIEF GROOVE FOR CYL. HEAD	25	OPTIONAL WITH SET B
31	252501150189	ASSY.CYL.HEAD COVER(INJ.OUTSIDE)-OFFER	1	
32	252501153888	AIR INTAKE ELBOW (FLAME START)	1	
33	252501155344	GASKET (FOR FLANGE CONNECTION)	1	
34	264154209961	BOOST PRESSURE/TEMP SENSOR	1	MICO NO 0281002514
	11341506184	HEX FL SCREW M 6X18 (SENSOR TO ELBOW)	1	
37	252501155348	GASKET (CYLINDER HEAD COVER)	1	
	253401158808	HEX FLANGE BOLT (M8X147L)	7	

CHASSIS TYPE: ALL



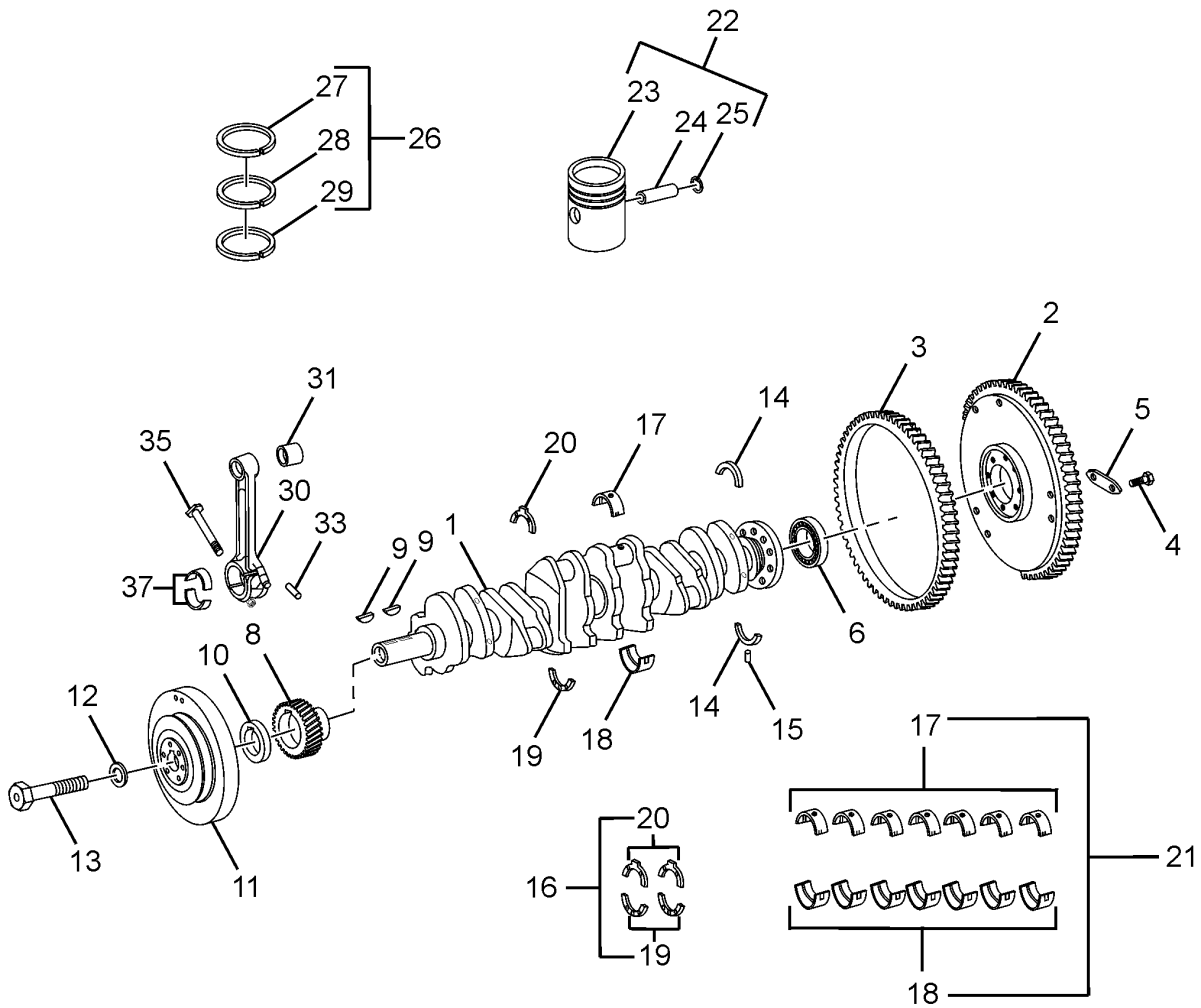
00.01.04		CYLINDER HEAD AND COVER		GROUP 01
CHASSIS TYPE: ALL				
FIG. NO.	PART NUMBER	DESCRIPTION	QTY	REMARKS
	252501158805	HEX.FLANGE BOLT (FOR AL COVER)	6	
38	16220710126	SEALING WASHER 8X14, CU	15	
40	253401158808	HEX FLANGE BOLT (M8X147L)	7	
43	252501170257	ASSY.OIL SEPERATOR WITH OIL FILL CAP	1	
44	252301176941	TUBE	1	OPTIONAL
44	252301176937	TUBE	1	OPTIONAL
45	252501175812	HOSE (OIL SEPERATOR)	1	
46	14300512349	SPR. BD CLAMP 34DX12W	2	
47	252301174217	CLAMP UPPER	1	
48	252301174219	CLAMP LOWER	1	
48	252501174206	CLAMP LOWER	1	FOR S/CLAYTON CYL HD AIR COMP
49	885401182525	SET INLET & EXHAUST VALVE	1	
14		VALVE-INLET	6	NOT SERVICED LOOSE
15		VALVE-EXHAUST	6	NOT SERVICED LOOSE

CHASSIS TYPE: ALL



00.03.01		MOVING PARTS		GROUP 03	
CHASSIS TYPE: ALL					
FIG. NO.	PART NUMBER	DESCRIPTION	QTY	REMARKS	
1	252503107940	CRANK SHAFT STD.	1		
2	252503110132	ASSY. FLYWHEEL WITH RING GEAR	1		
3	252503115454	RING GEAR	1		
4	3129900301	BOLT	8		
5	3129940232	LOCKING PLATE	4		
6	15020592017	BALL BEARING	1		
8	3520520003	CRANK SHAFT GEAR	1		
9	13650510091	WOODRUFF KEY 8X13	2		
10	252503138603	SPACER	1		
	252503138201	OIL SLINGER	1		
11	3520303103	ASSY. VIBRATION DAMPER (DOUBLE GROOVE)	1		
12	252303138603	THRUST SPACER	1		
13	252303133202	LOCK (V. DAMPER)	1		
14	252503107802	SEALING RING HALF	2	SERVICED UNDER KIT PART NO	
15	1869910055	PIN	2	SERVICED UNDER KIT PART NO	
		MAIN BEARING SET			
21	252503120161	MAIN BEARING SET (STD); CONSISTS OF :	1		
17		BEARING UPPER HALF STD	7		
18		BEARING LOWER HALF STD	7		
		THRUST WASHER SET			
16	885403762525	THRUST WASHER SET (STD); CONSISTS OF :	1	SELECTION	
20		THRUST WASHER UPPER HALF (116 MM DIA.) STD	2		
19		THRUST WASHER LOWER HALF (116 MM DIA.) STD	2		
16	885403772525	THRUST WASHER SET (RS I);CONSISTS OF :	1	SELECTION	
20		THRUST WASHER UPPER HALF (116 MM DIA.) RS I	2		
19		THRUST WASHER LOWER HALF (116 MM DIA.) RS I	2		
16	885403782525	THRUST WASHER SET (RS II) ; CONSISTS OF :	1	SELECTION	
20		THRUST WASHER UPPER HALF (116 MM DIA.) RS II	2		

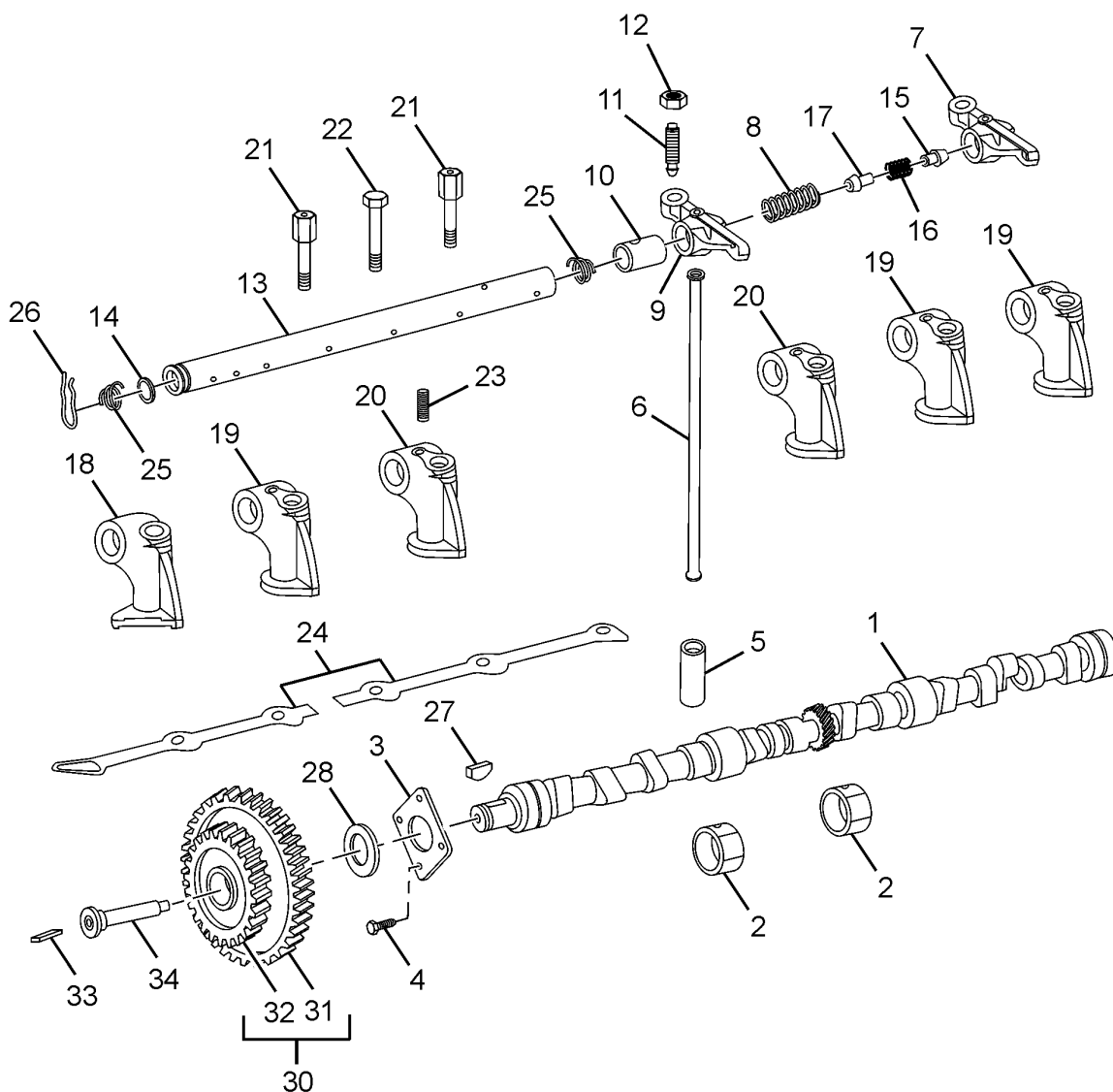
CHASSIS TYPE: ALL



00.03.01		MOVING PARTS		GROUP 03	
CHASSIS TYPE: ALL					
FIG. NO.	PART NUMBER	DESCRIPTION	QTY	REMARKS	
19		THRUST WASHER LOWER HALF (116 MM DIA.) RS II	2		
		PISTON SET			
22	252503990161	SET OF BARE PISTON STD, BS III ;	1		
		CONSISTS OF :			
23		PISTON	6		
24		PISTON PIN	6		
25		CIRCLIP	12		
		RING SET			
26	252503990164	SET OF PISTON RING BS III STD ;	1		
		CONSISTS OF :			
27		DOUBLE TRAPEZ RING (GR I)	6		
28		COMPRESSION RING (GR II)	6		
29		ASSY. OIL CONTROL RING (GR III)	6		
		CONNECTING ROD SET			
30	252503150125	ASSY. CON. ROD (STD) WITH BUSH W/O BRG SHELL	6	OPTIONAL	
30	252503150107	ASSY. CON. ROD SERRATED (STD) WITH BUSH W/O BRG SHELL	6	OPTIONAL	
31	885403682525	CON. ROD BUSH SET STD ; CONSISTS OF :	1		
		CON. ROD BUSH STD	6		
33	13050507143	PIN CYLINDRICAL 6X14	12		
35	252503153205	SCREW CON. ROD	12		
		CONNECTING ROD BEARING SET			
37	252503990165	BEARING SET FOR CON. ROD (STD)	1		
		CONSISTING OF :			
		BEARING HALF (UPPER & LOWER) STD	12		
		KIT SEALING RING (CRANKSHAFT)			
	885403082525	KIT, CRANKSHAFT SEALING RING WITH LOCATING PINS; CONSISTS OF :	1		
14		SEALING RING HALF	2		
15		LOCATING PIN	2		

00.05.01		ENGINE TIMING (CAMSHAFT AND		GROUP 05
CHASSIS TYPE: ALL				
FIG. NO.	PART NUMBER	DESCRIPTION	QTY	REMARKS
1	252505100140	CAMSHAFT WITH CYLINDER PIN STD	1	
2	885405042525	SET OF BEARINGS CAMSHAFT	1	
		CONSISTING OF :		
		BEARING NO. 1	1	NOT SERVICED LOOSE
		BEARING NO. 2, 3 AND 4	3	NOT SERVICED LOOSE
3	3520520762	THRUST WASHER (CAMSHAFT TO CYL. BLOCK)	1	
4	3129900004	HEX SCREW (TO THRUST WASHER)	4	
5	253405139902	VALVE TAPPET	12	
6	3520540205	PUSH ROD	12	
	252305140102	ASSY ROCKER ARM SHAFT WITH BUSH FRONT	1	
	252305140103	ASSY ROCKER ARM SHAFT WITH BUSH REAR	1	
7	3520501033	ROCKER ARM WITH BUSH LH	6	
8	3129930701	SPRING (LONG)	5	
9	3520500634	ROCKER ARM RIGHT WITH BUSH	6	
10	3120550050	BUSH	6	
11	252305146701	BALL END TAPPET ADJUSTER	12	
12	3129900251	HEX. NUT (BALL PIN)	12	
13	3120500231	ROCKER ARM SHAFT	2	
14	17071001407	SEALING CAP	2	
15	3120550653	CONNECTING NIPPLE, INNER	1	
16	3129934701	SPRING, CONNECTING NIPPLE	1	
17	3120550553	CONNECTING NIPPLE, OUTER	1	
18	3520550610	ROCKER ARM SUPPORT NO. 1	1	
19	3520550410	ROCKER ARM SUPPORT NO. 2, 5, 6	3	
20	3520550510	ROCKER ARM SUPPORT NO. 3, 4	2	
21	3120550171	BOLT (TO ROCKER ARM BRACKETS)	4	
22	11064012632	HEX BOLT M 12X75 (TO ROCKER ARM BRACKET & TAPPET COVER)	2	
23	11433206101	GRUB SCREW AM 6X10, (ROCKER ARM SUPPORT TO ROCKER ARM SHAFT)	2	
24	3520550186	SHIM	AR	FOR REPAIR ONLY
25	3129930005	SPRING (SHORT)	2	
26	3129930025	SPRING CLIP (TO SPRINGS AND ROCKER ARM SHAFT)	2	
27	13650508089	WOODRUFF KEY 6X10	1	

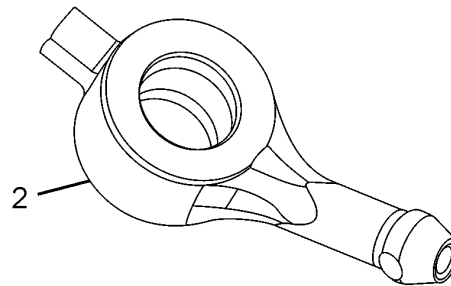
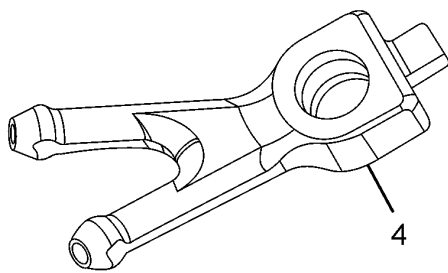
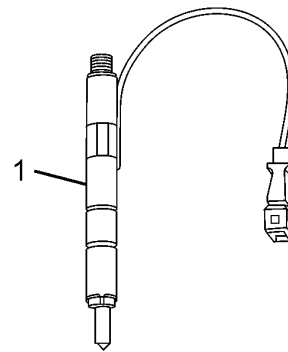
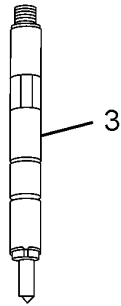
CHASSIS TYPE: ALL



00.05.01		ENGINE TIMING (CAMSHAFT AND		GROUP 05
CHASSIS TYPE: ALL				
FIG. NO.	PART NUMBER	DESCRIPTION	QTY	REMARKS
28	3520510062	BUTTING RING (TIMER TO CAMSHAFT)	1	
30	252707130134	ASSY CAMSHAFT GEAR AND DRIVE GEAR (FIP)	1	
31	252705115403	CAM SHAFT GEAR	1	
32	252707135401	DRIVE GEAR (FIP)	1	
33	252305105901	PARALLEL KEY	1	
34	3520750071	PIN (INJ. TIMER MTG)	1	

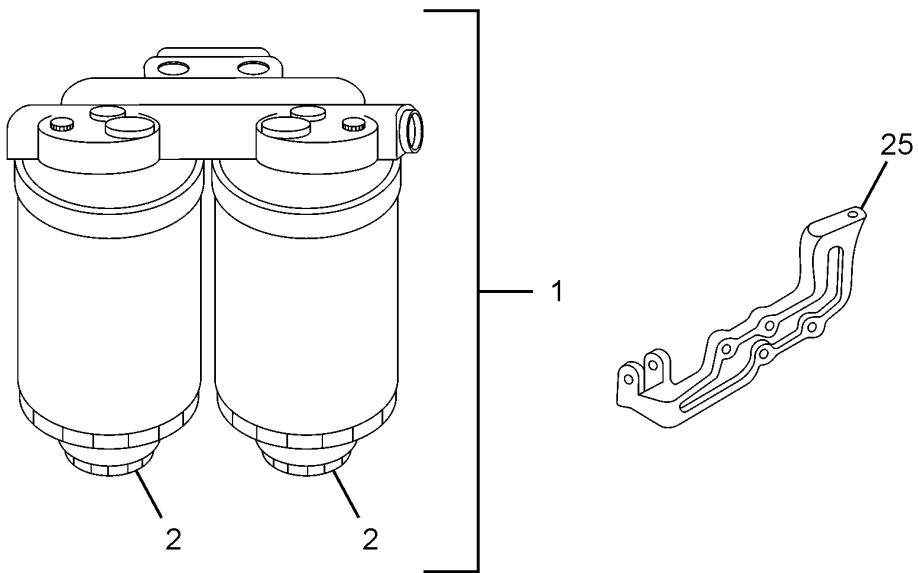
00.07.01		FUEL INJECTION EQUIPMENT		GROUP 07
CHASSIS TYPE: ALL				
FIG. NO.	PART NUMBER	DESCRIPTION	QTY	REMARKS
1	0460426992	ASSY.FUEL INJECTION PUMP	1	TML NO 252507120117
2	252707123702	SUPPORT(FOR FUEL INJECTION PUMP)	1	
3	252707135402	INJECTION PUMP GEAR	1	
5	252707125302	GASKET (FIP TO SUPPORT)	1	
	254707129201	HARDENED WASHER	3	
	252707125301	GASKET (FOR SUPPORT INJ.PUMP)	1	
9	252507123302	REAR SUPPORT BRACKET(FIP TO BLOCK)	1	
10	252507123303	CLAMP ON CYLINDER BLOCK (FOR HP LINES)	1	
11	252507140167	KIT H.P.LINES (ROTARY FIP)	1	
20	0120780085J	CLAMP UPPER	4	
21	0120700066J	ASSY. CLAMP LOWER	4	
	252507147505	RUBBER PIECE (CLAMP FUEL PRESSURE LINE)	4	
23	3129970230	PLUG	1	
25	3129970330	PLUG	1	
27	252507145301	GASKET RING (FOR CYL. HEAD)	1	
29	252507145801	RUBBER TUBE (140 mm)	5	
31	252507145802	HOSE (REDUCER FOR LEAKAGE):L=300mm	1	
35	254707144201	CLAMP (INJECTOR OVERFLOW TUBE)	12	
	252507140175	ASSY.CLAMP (FOR H.P.LINES)	1	
41	252507123801	SUPPORT PIECE (FOR HP LINES)	1	
42	252507147504	SLEEVE (FOR HP LINES)	6	
43	252007144203	SEAL CLAMP (FOR CONNECTING FUEL LEAKAGE LINE)	6	
	252007148001	HOLLOW SCREW	6	

CHASSIS TYPE: ALL



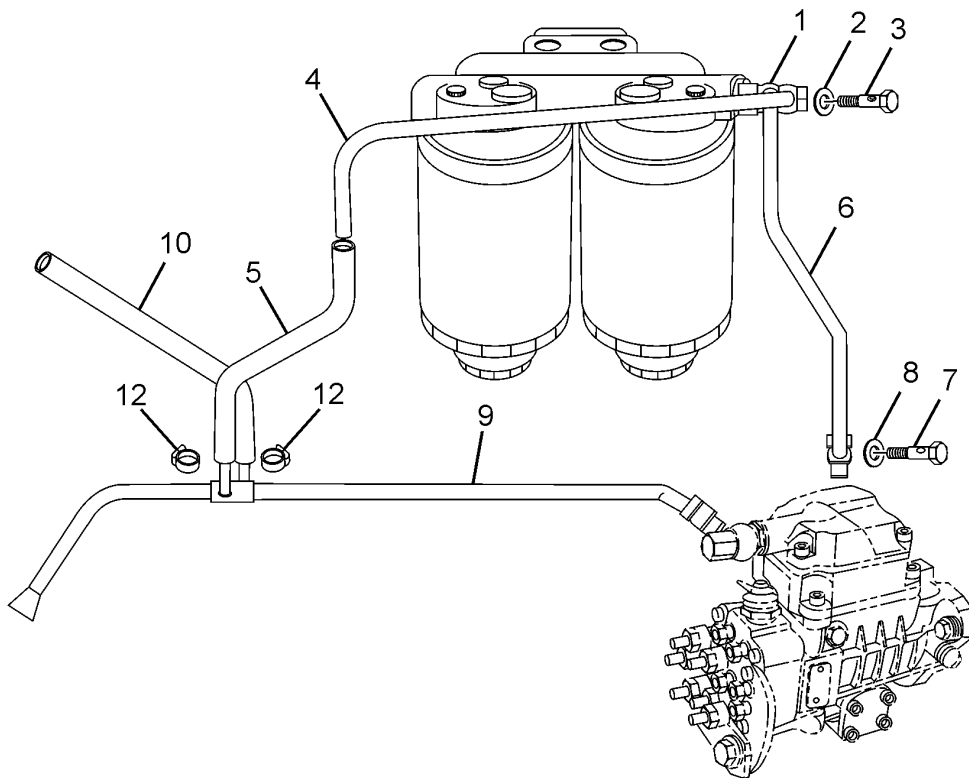
00.07.02		INJECTOR		GROUP 07	
CHASSIS TYPE: ALL					
FIG. NO.	PART NUMBER	DESCRIPTION	QTY	REMARKS	
1	0432193458	ASSY.INJECTOR WITH SENSOR (NBEF TYPE)	1		
2	252701163807	CONNECTOR ONE TUBE	1		
3	F002C7Z261	ASSY.INJECTOR NORMAL	5		
	0433175463	NOZZLE	6		
4	252701163808	CONNECTOR TWO TUBES	5		
	253401168201	CLAW (SINGLE SPRING)	6		
	253401169907	HEX.FL. BOLT-M 8X33.5	6		
	12701000844	SPH. WASHER 8.4	6		

CHASSIS TYPE: ALL



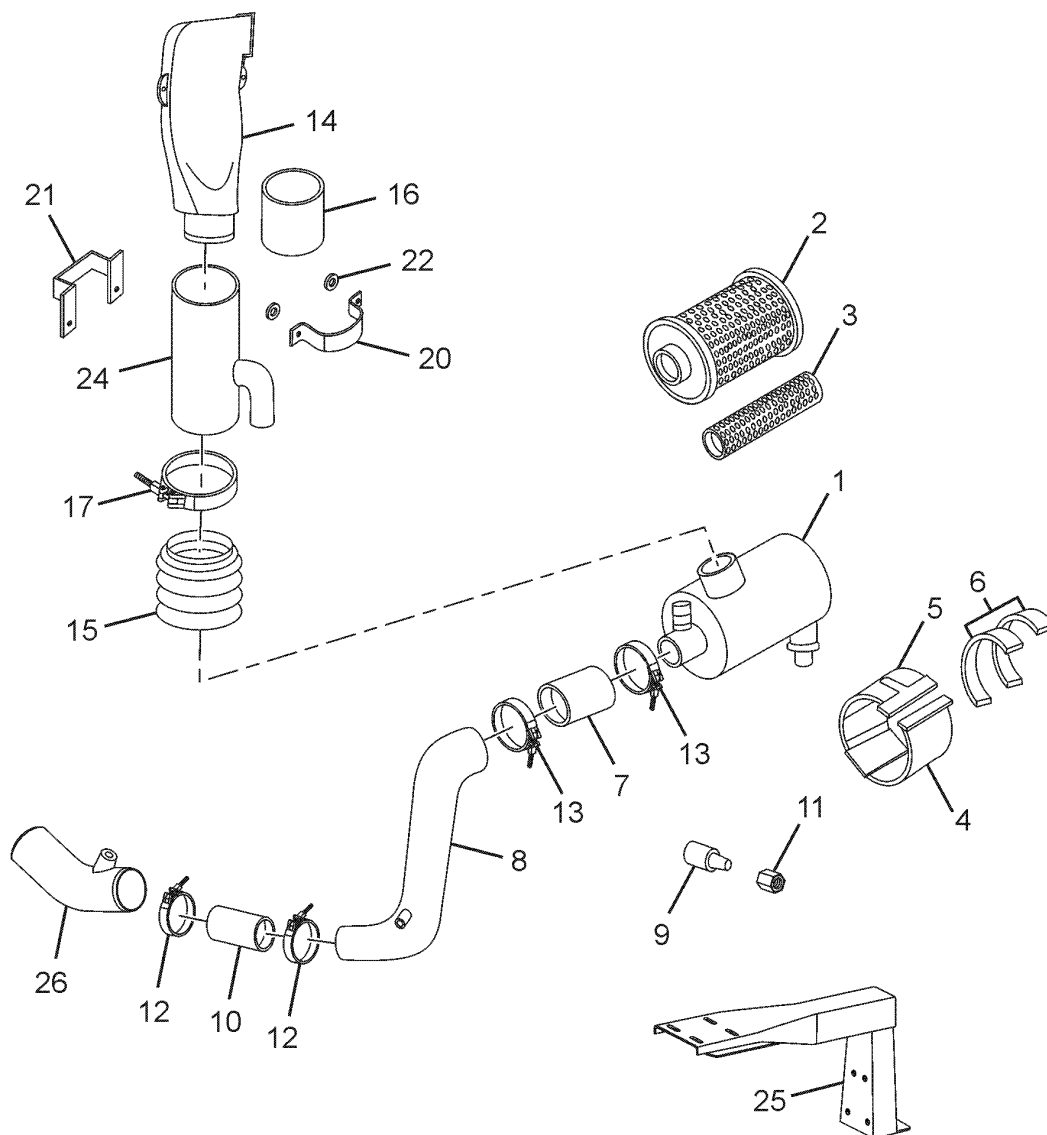
00.09.01		FUEL FILTER		GROUP 09	
CHASSIS TYPE: ALL					
FIG. NO.	PART NUMBER	DESCRIPTION	QTY	REMARKS	
1	F002H20136	ASSY. FUEL FILTER, SPIN ON TYPE	1		
2	F002H20306	FUEL FILTER CARTRIDGE, SPIN ON	2		
25	252509113716	BRACKET, FUEL FILTER MTG.	1		

CHASSIS TYPE: ALL



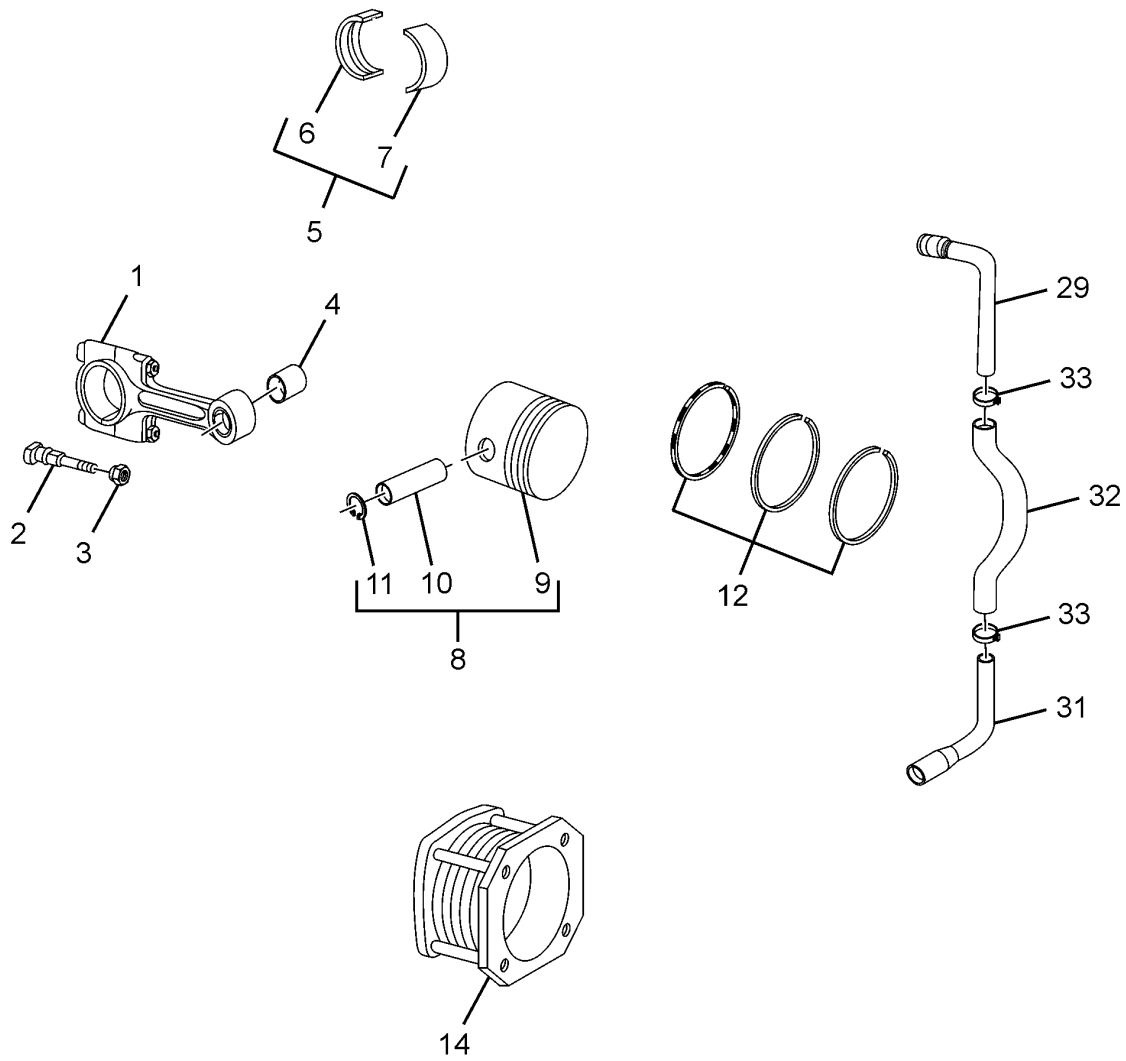
00.09.02		FUEL LINES		GROUP 09	
CHASSIS TYPE: ALL					
FIG. NO.	PART NUMBER	DESCRIPTION	QTY	REMARKS	
1	252509120215	ASSY. OVERFLOW VALVE	1		
2	16220510216	SEALING WASHER 14X18	5		
3	16531999049	PIPE UNION BOLT 10 M 14X1.5	1		
4	252509120225	ASSY.OVERFLOW LINE (FROM FILTER)	1		
5	252509125812	HOSE (FOR ASSY.OVERFLOW LINE)	1		
6	252509120204	ASSY.FUEL LINE (FUEL FILTER TO FIP)	1		
7	16531999031	PIPE UNION BOLT 8 M 12X1.5	1		
8	16220510186	SEALING WASHER 12X16	2		
9	252509120224	ASSY.FUEL OVERFLOW LINE (W/OVERFLOW CONNECTION)	1		
10	252709125804	HOSE (FOR ASSY. OVERFLOW LINE)	1		
12	14280500161	HOSE CLAMP 16	2		

CHASSIS TYPE: ALL



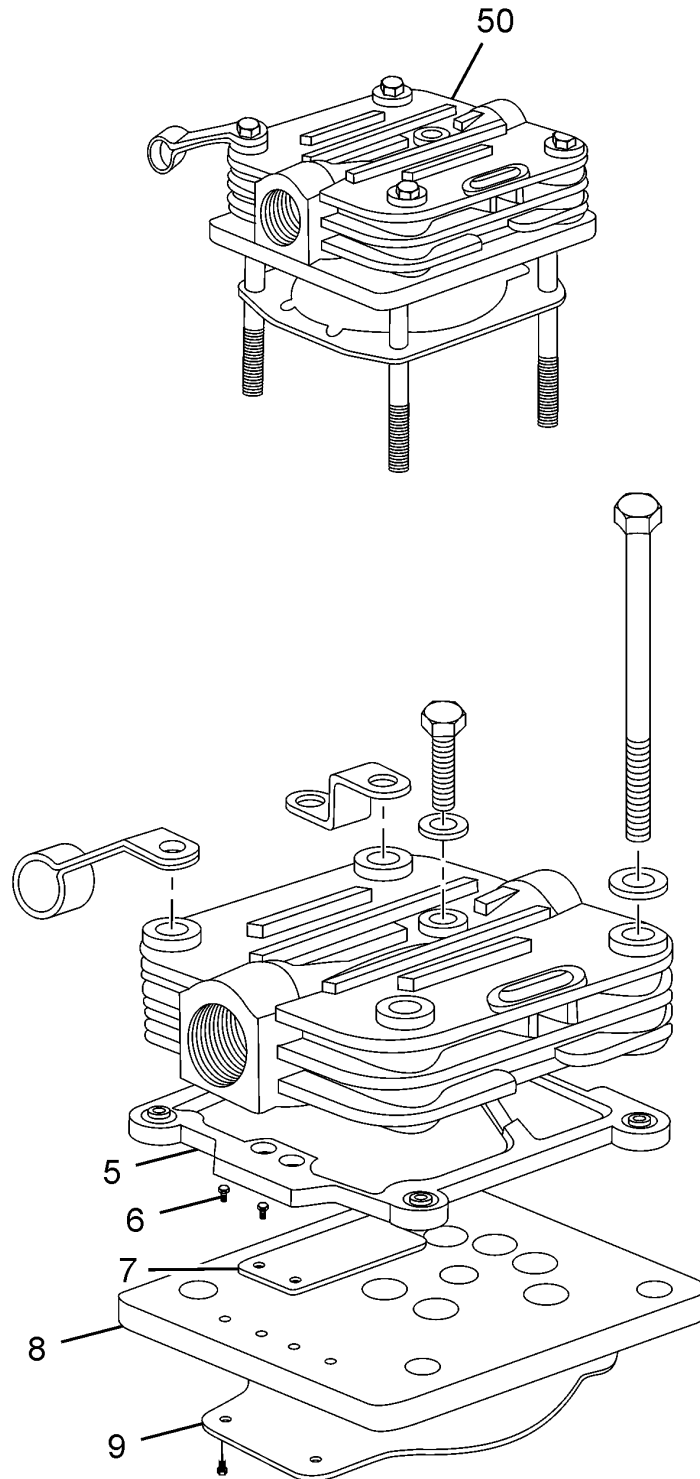
00.09.03		AIR FILTER (TILT CAB)		GROUP 09	
CHASSIS TYPE: ALL					
FIG. NO.	PART NUMBER	DESCRIPTION	QTY	REMARKS	
1	278609140105	ASSY. AIR FILTER	1		
2	278609139908	AIR FILTER ELEMENT (PRIMARY)	1		
3	278609139909	AIR FILTER ELEMENT (SAFETY)	1		
4	278609130352	ASSY. AIR FILTER MTG. BRACKET	1		
5	278609130206	ASSY. STRAP WITH SHACKLE	1		
6	252509139935	RUBBER STRAP	2		
7	252509145828	REDUCER HOSE (ON AIR FILTER OUTLET)	1		
8	252509133830	ASSY. INTAKE PIPE (AIR FILTER TO TC)	1		
9	254709139918	SERVICE INDICATOR	1		
10	252509145829	RUBBER HOSE (AIR INTAKE PIPE TO TC)	1		
11	278609139914	ADAPTOR (FOR SERVICE INDICATOR)	1		
12	14280598209	HOSE CLAMP TB 112	2		
13	14280598225	HOSE CLAMP TB 146	2		
14	278609130125	ASSY. AIR INTAKE DUCT	1		
15	252509145824	RUBBER BELLOW (AIR INLET SNORKEL TO PIPE	1		
16	252509145831	HOSE	1		
17	14280598101	HOSE CLAMP TB 140	1		
20	278609130322	ASSY. BRACKET (AIR INLET DUCT MTG. TOP)	1		
21	252509140194	ASSY. BRACKET (AIR INLET DUCT MTG. BOTTOM)	1		
22	252509138602	RUBBER SPACER	AR	FOR SELECTION	
22	252509138603	RUBBER SPACER	AR	FOR SELECTION	
24	278609130213	ASSY PRE CLEANER	1		
25	252509140202	ASSY. BRACKET (FOR AIR FILTER MTG)	1		
26	252509146918	PIPE (AIR FILTER END)	1		

CHASSIS TYPE: ALL



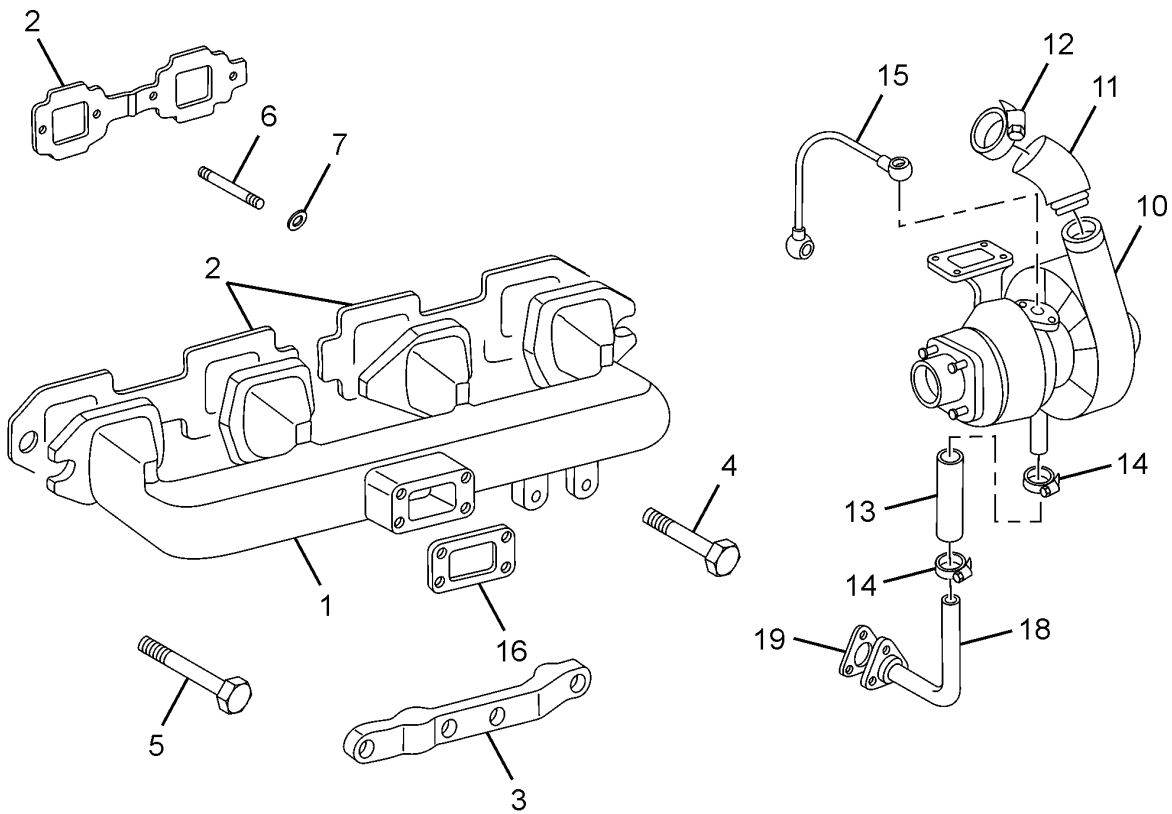
00.13.01		AIR COMPRESSOR 94 DIA		GROUP 13	
CHASSIS TYPE: ALL					
FIG. NO.	PART NUMBER	DESCRIPTION	QTY	REMARKS	
1	3521300116	ASSY. CONNECTING ROD (AIR COMPRESSOR)	1		
2	3211310171	GUIDE SCREW, CON. ROD	2		
3	3219900251	HEX. NUT	2		
4	885413262525	BUSH (CON. ROD A/C)	1		
5	885413222525	SET OF CON. ROD BEARING STD	1		
6		CONSISTS OF :			
6		BEARING HALF LOWER STD	1	NOT SERVICED LOOSE	
7		BEARING HALF UPPER STD	1	NOT SERVICED LOOSE	
8	885413272525	ASSY. PISTON STD. (W/O RINGS)	1		
9		PISTON STD.	1	NOT SERVICED LOOSE	
10		PISTON PIN	1	NOT SERVICED LOOSE	
11		INTERNAL CIRCLIP	2	NOT SERVICED LOOSE	
12	252513140142	SET OF PISTON RINGS CONSISTING OF :	1		
		SCRAPER RING	3		
14	252513103707	CYL. SLEEVE STD	1		
29	252513130112	ASSY.TUBE	1		
31	252513130112	ASSY. TUBE	1		
32	252513135812	HOSE (AIR COMPRESSOR)	1	SERVICED UNDER PART NO.252513130118	
33	14270202901	HOSE CLIP 29	2		

CHASSIS TYPE: ALL



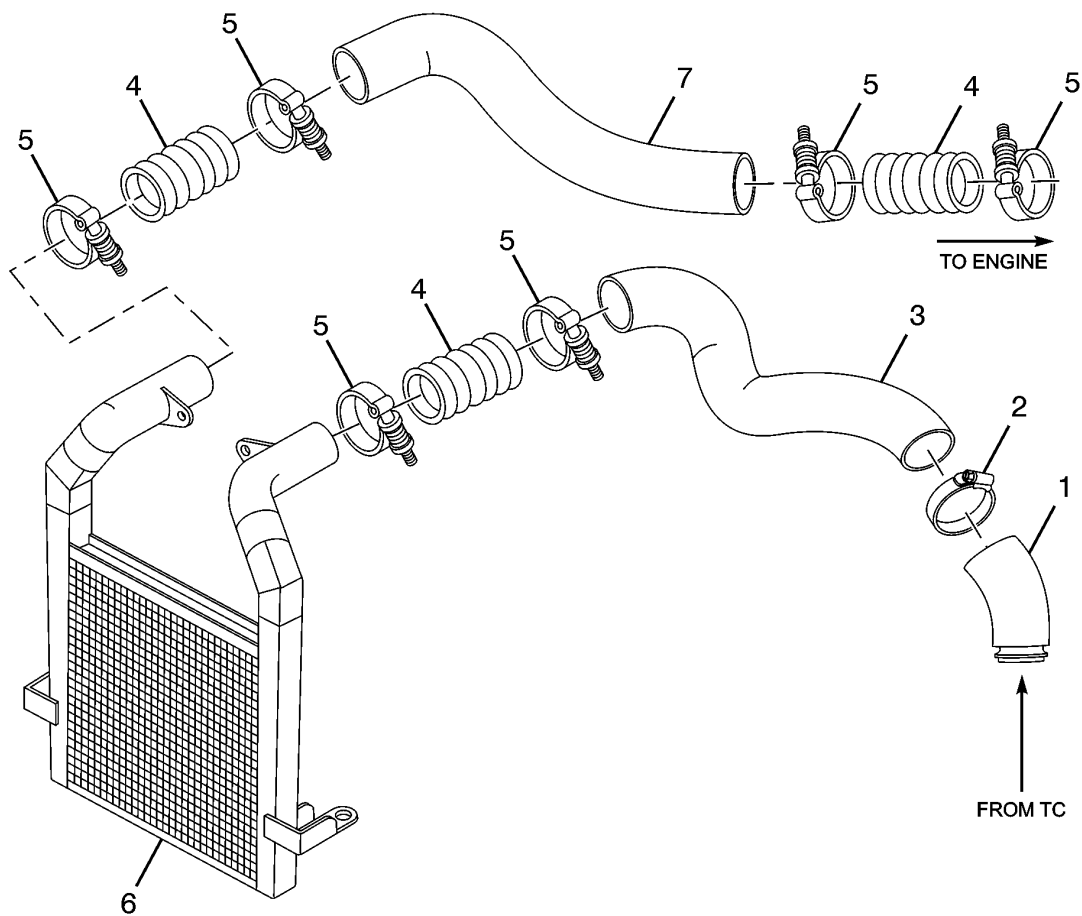
00.13.02		AIR COMPRESSOR HEAD (REED VALVE TYPE) 94 DIA		GROUP 13
CHASSIS TYPE: ALL				
FIG. NO.	PART NUMBER	DESCRIPTION	QTY	REMARKS
50	252513100126	ASSY. AIR COMPRESSOR HEAD (REED VALVE TYPE) 94 DIA	1	
	252513100149	ASSY. REED VALVE ASSY CONSISTING OF :	1	
6		LOCATING PIN	4	
7		DELIVERY REED	1	
8		VALVE PLATE	1	
9		INLET REED	1	
	252513990105	REPAIR KIT, AIR COMPRESSOR HEAD CONSISTING OF :	1	
5		GASKET (JOINT)	1	
6		LOCATING PIN	4	
		GASKET (JOINT) (BETWEEN HEAD ASSY. AND CYL. SLEEVE)	1	

CHASSIS TYPE: ALL



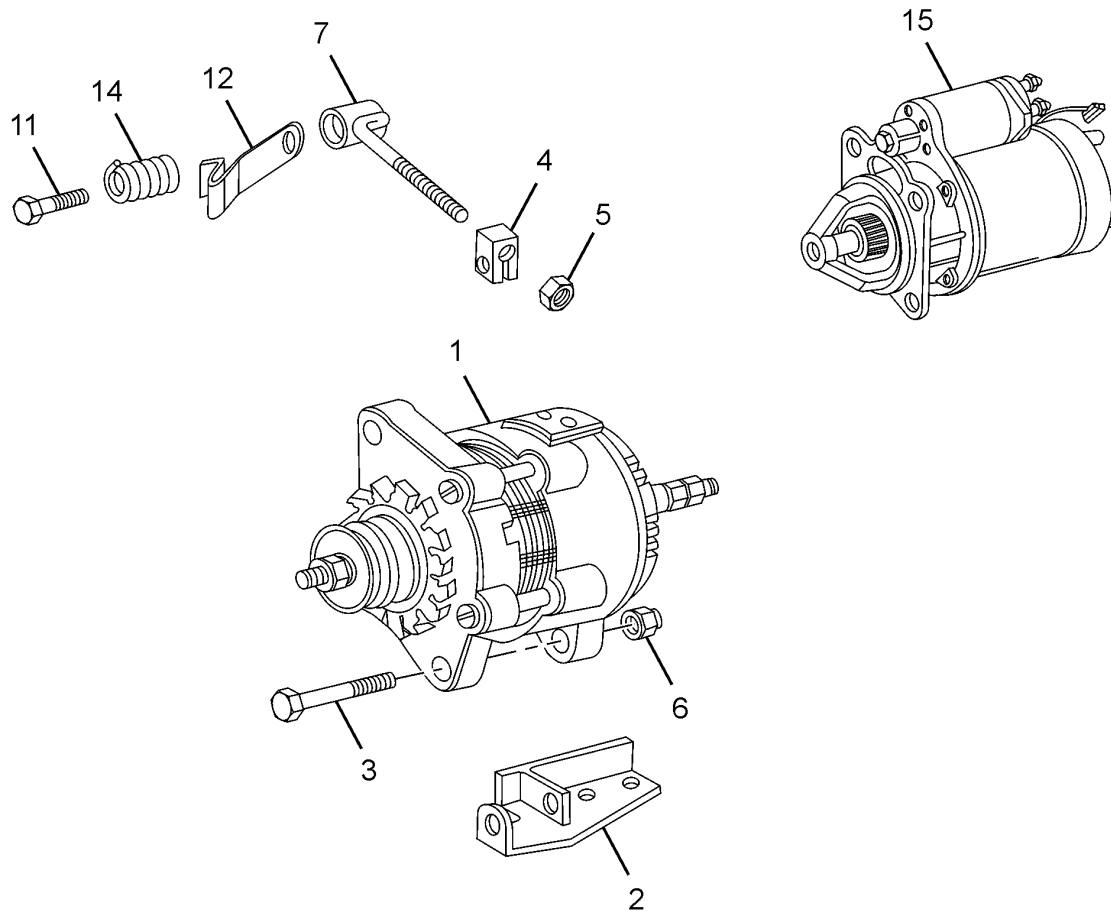
00.14.01		EXHAUST MANIFOLD AND TURBOCHARGER		GROUP 14
CHASSIS TYPE: ALL				
FIG. NO.	PART NUMBER	DESCRIPTION	QTY	REMARKS
1	252514113781	EXHAUST MANIFOLD	1	
2	252514115308	GASKET (EXHAUST MANIFOLD TO CYL. HEAD)	2	
3	252514115102	CLAMP (EXHAUST MANIFOLD)	2	
4	11064010699	HEX. BOLT M 10X110	6	
5	252514113203	HEX BOLT (115 LONG)	2	
6	252514118802	STUD	4	
7	252514119201	WASHER	4	
10	252514510120	ASSY.TURBOCHARGER K27 TEL(BS III T.CAB)	1	
11	252514600112	ASSY.ADAPTOR WITH PIPE (TEL TC)	1	
12	252714519901	V- BAND CLAMP	1	
13	252518170152	ASSY.OIL OUTLET TUBE	1	
14	269944804205	HOSE CLAMP 30 (STAINLESS STEEL)	2	
15	252518170187	ASSEMBLY LUBE LINE (FLEXIBLE)	1	
16	252514115301	GASKET (TURBOCHARGER TO EXHAUST MANIFOLD)	1	
	252518175101	FLANGE (ON TURBOCHARGER)	1	
	252518175301	GASKET, FLANGE TO TURBO (OIL SUPPLY FROM OIL COOLER TO TURBO)	1	
18	252518175804	HOSE (TC OIL OUTLET TO CYL. CR)	1	
19	252518175302	GASKET, FLANGE TO TURBO (OIL RETURN FROM TURBO TO CYL. BLOCK)	1	

CHASSIS TYPE: ALL



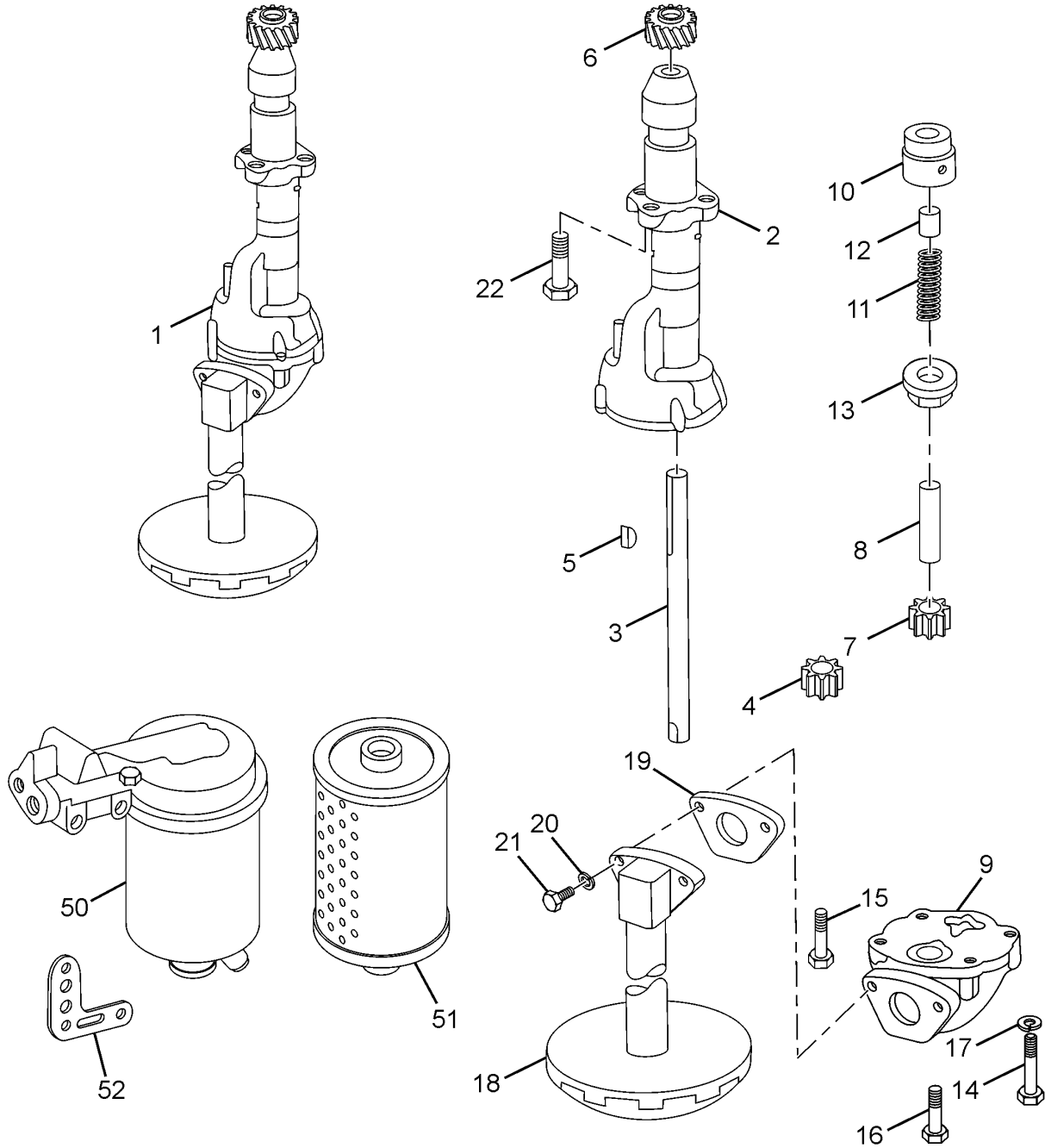
00.14.02		INTERCOOLER AND CONNECTIONS		GROUP 14
CHASSIS TYPE: ALL				
FIG. NO.	PART NUMBER	DESCRIPTION	QTY	REMARKS
1	252514600112	ASSY.ADAPTOR WITH PIPE (TURBOCHARGER OUTLET)	1	
2	252714519901	V- BAND CLAMP	1	
3	252514603818	PIPE (TURBOCHARGER TO IC)	1	
4	252514605806	HOSE HUMP (DIA.76ID)	3	
5	14280599272	HOSE CLAMP SLTB 72	8	
6	252514600113	INTERCOOLER	1	
7	252514600126	ASSY. PIPE (IC TO ELBOW) WITH BOSS (BOOS	1	

CHASSIS TYPE: ALL



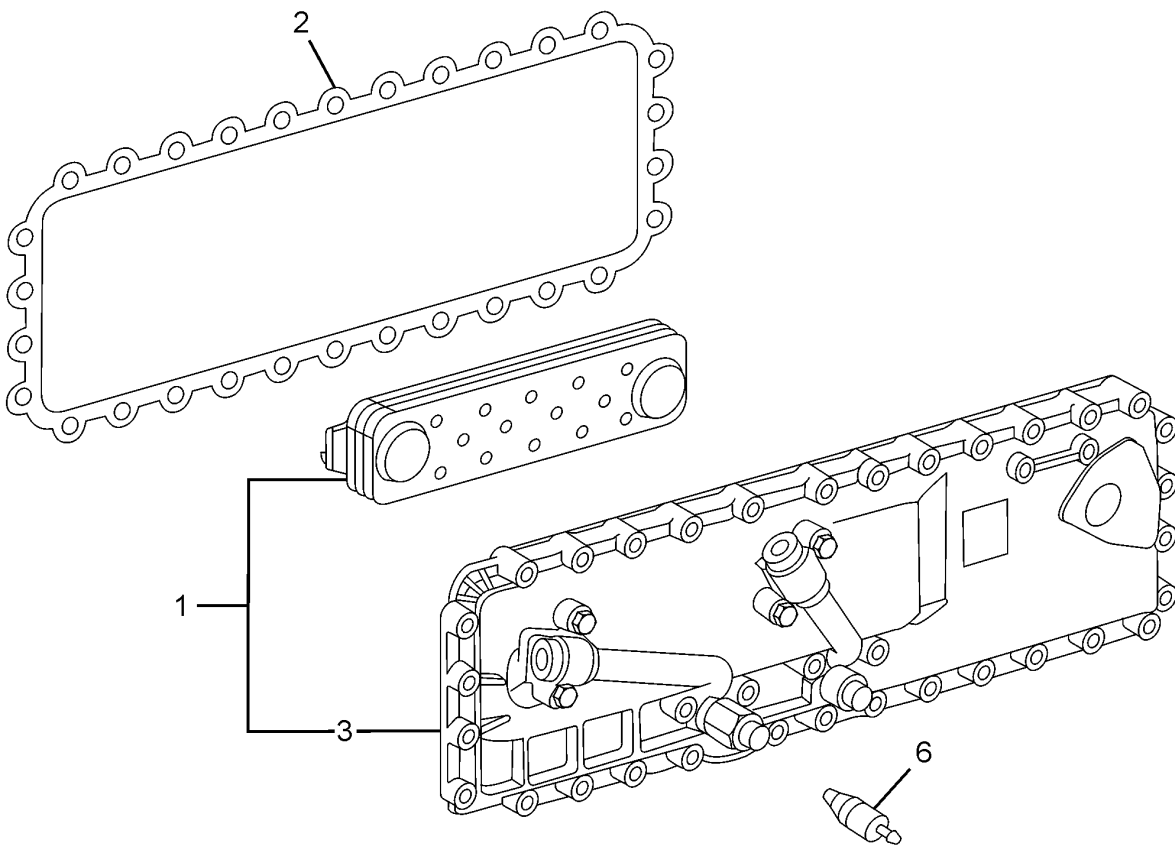
00.15.01		ALTERNATOR AND STARTER MOTOR		GROUP 15
CHASSIS TYPE: ALL				
FIG. NO.	PART NUMBER	DESCRIPTION	QTY	REMARKS
1	261815400102	ALTERNATOR 24V,75A	1	
2	252515140147	ASSY.BRACKET (24V 75A.ALT.MTG)	1	
3	11063896677	HEX BOLT M10X130	1	
4	253315144204	CLAMPING PIECE	1	
5	252415146501	CLAMPING NUT	1	
6	12140501202	NYLOC NUT M 12	2	
7	253315140109	ASSY CLAMP ROD COMPLETE [38 mm OFFSET]	1	
11	3121550174	BOLT (FOR FIXING ALTERNATOR)-TO CYL.BLOCK	1	
12	3129941301	LOCKING PLATE	1	
14	3129932801	SPRING ALTERNATOR	1	
15	261815140105	STARTER MOTOR 24V,3.5KW	1	

CHASSIS TYPE: ALL



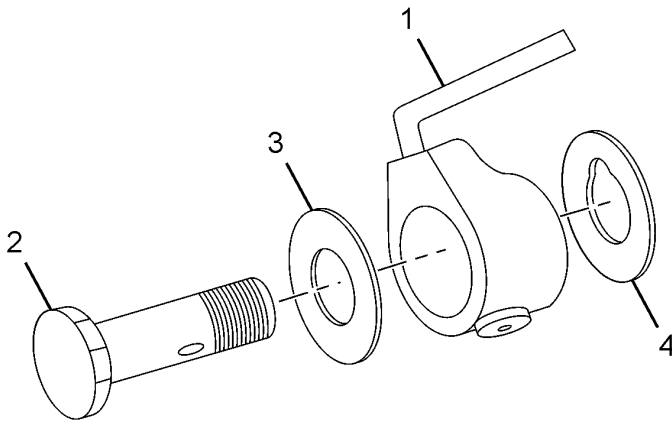
00.18.01		OIL PUMP AND OIL FILTER		GROUP 18
CHASSIS TYPE: ALL				
FIG. NO.	PART NUMBER	DESCRIPTION	QTY	REMARKS
1	252518100148	ASSY.OIL PUMP WITH STRAINER (50mm GEAR)	1	
2	252518103704	OIL PUMP HOUSING (FOR 50 mm LONG GEARS)	1	
3	252518107902	DRIVE SHAFT	1	
4	252518105405	OIL PUMP GEAR 50 mm (DRIVE SHAFT)	1	
5	13650505055	WOODRUFF KEY 3X6.5	2	
6	3121810308	DRIVE, GEAR	1	
7	252518105406	50 mm OIL PUMP GEAR (DRIVEN SHAFT)	1	
8	252518107901	SHAFT FOR DRIVE GEAR	1	
9	3521811220	COVER, OIL PUMP	1	
10	3521840329	VALVE HOUSING	1	
11	3269930401	SPRING	1	
12	3211810042	PLUNGER	1	
13	3529970730	SCREW PLUG	1	
14	11324196031	SCREW M 8X22	2	
15	11064096011	BOLT M 8X35	1	
16	11064096038	BOLT M 8X45	1	
17	12520698025	SPG. WASHER B 8	4	
18	252518150140	ASSY. STRAINER	1	
19	3121860080	GASKET	1	
20	12520698025	SPG. WASHER B 8	2	
21	11324196023	SCREW M 8X20	2	
22	11342408283	SCREW M 8X28	3	
	885418082525	KIT OIL PUMP GEAR 50 MM LONG	1	
4		GEAR, DRIVE SHAFT	1	
7		DRIVEN GEAR, OIL PUMP	1	
	885418042525	OIL PRESSURE RELIEF VALVE KIT	1	
		CONSISTING OF :		
11		SPRING, OIL PRESSURE RELIEF VALVE	1	
12		PLUNGER	1	
10		HOUSING	1	
		OIL FILTER		
50	252518130137	ASSY.OIL FILTER COMPLETE (SPIN-ON)	1	
51	252518130139	ASSY.OIL FILTER ELEMENT (SPIN-ON)	1	
52	253418135301	GASKET (OIL FILTER TO CYL BLOCK)	1	

CHASSIS TYPE: ALL



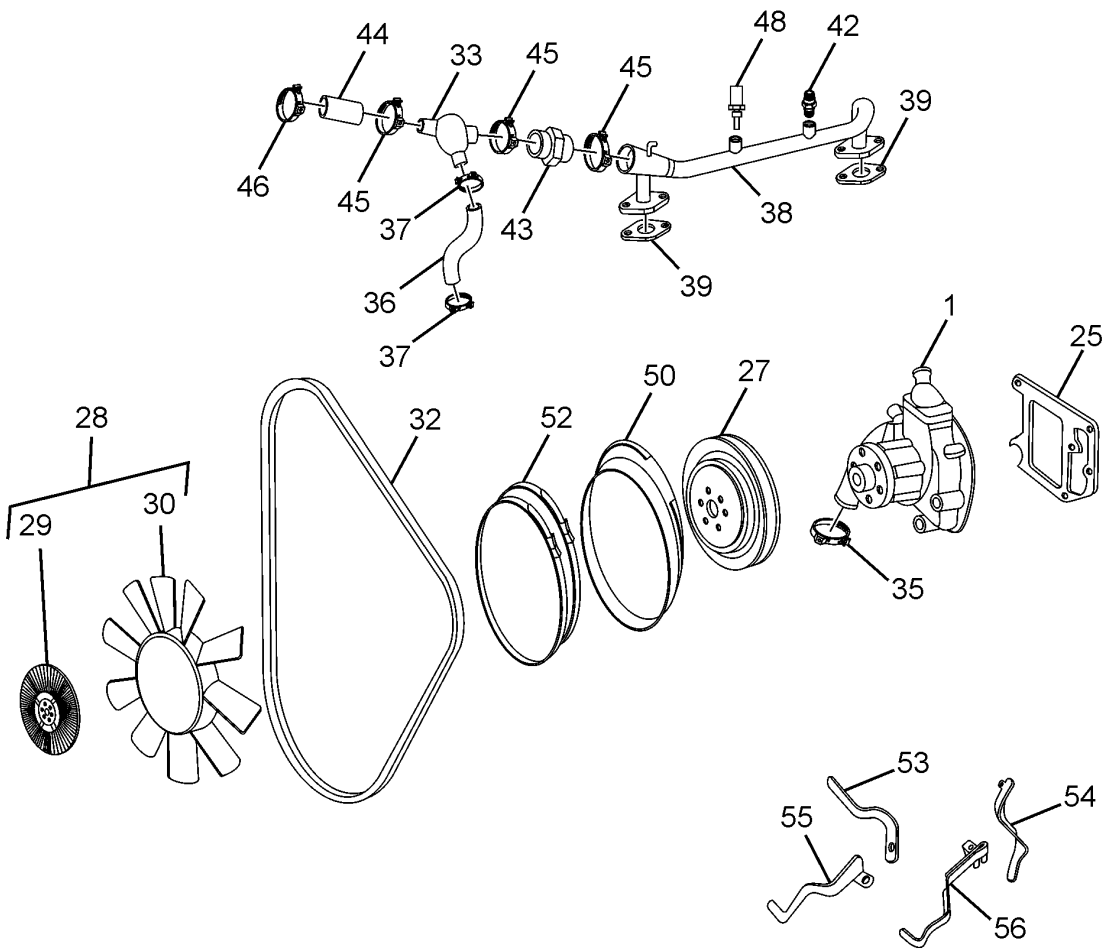
00.18.02		OIL COOLER (PLATE TYPE)		GROUP 18	
CHASSIS TYPE: ALL					
FIG. NO.	PART NUMBER	DESCRIPTION	QTY	REMARKS	
1	252518170168	ASSY.PLATE TYPE HEAT EXCHANGER.	1		
2	252518171601	GASKET OIL COOLER (OIL COOLER ON CYL.BLOCK)	1		
3	252518173805	COVER, OIL COOLER	1		
6	265454509913	LOW OIL PRESSURE SWITCH	1		

CHASSIS TYPE: ALL



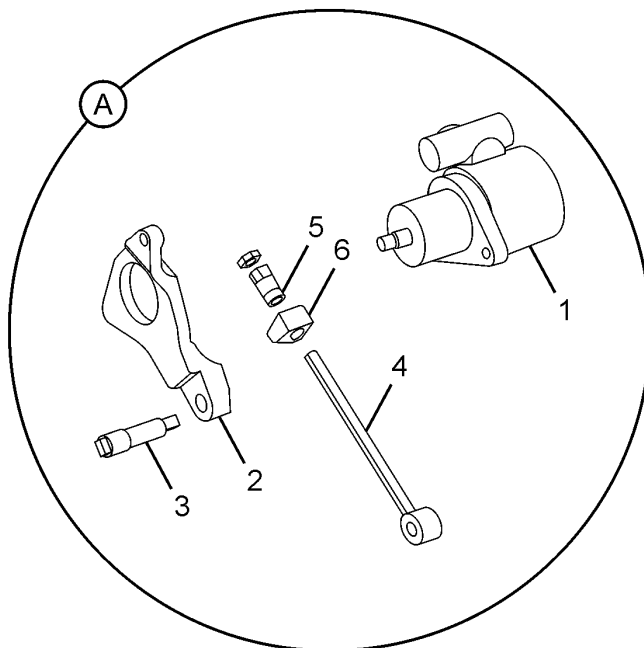
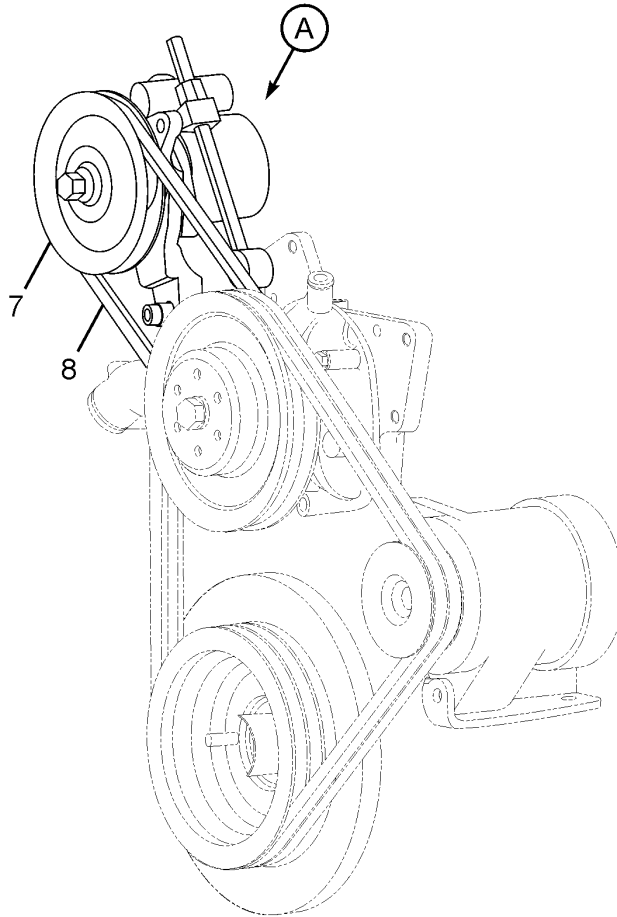
00.18.03		PISTON COOLING		GROUP 18	
CHASSIS TYPE: ALL					
FIG. NO.	PART NUMBER	DESCRIPTION	QTY	REMARKS	
1	252518170160	ASSY PISTON COOLING NOZZLE	6		
2	252518170150	ASSY RELIEF VALVE (FOR NOZZLE)	6		
3	252518179201	SEALING WASHER	6		
4	252518179202	SEALING WASHER	6		

CHASSIS TYPE: ALL



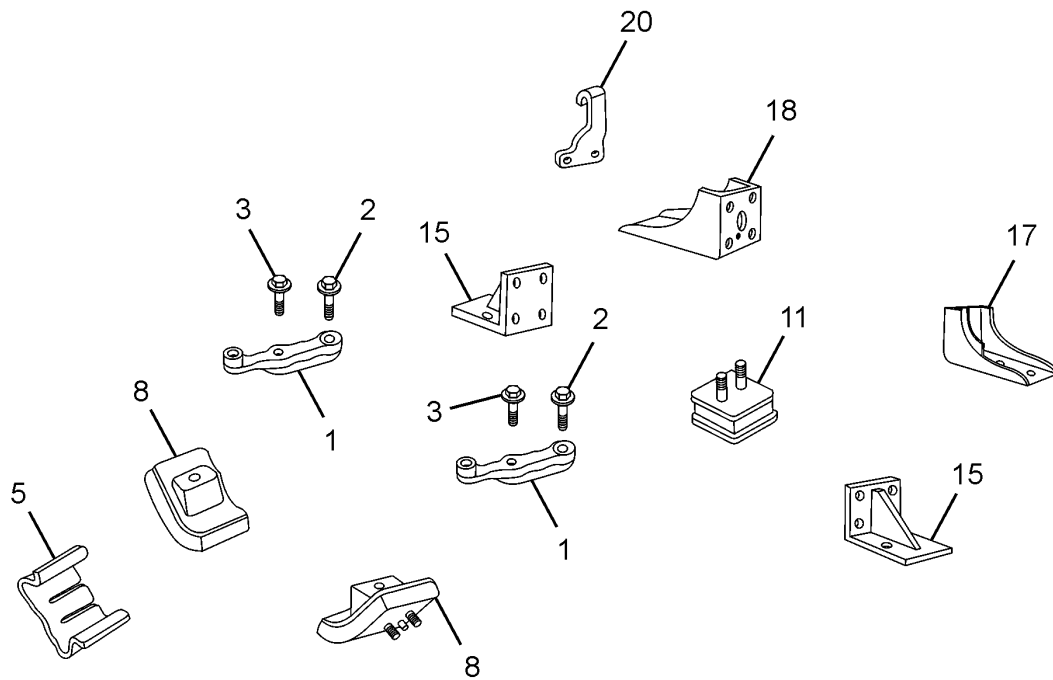
00.20.01		WATER PUMP		GROUP 20	
CHASSIS TYPE: ALL					
FIG. NO.	PART NUMBER	DESCRIPTION	QTY	REMARKS	
1	252520100130	ASSY. WATER PUMP	1	MICO 0281002209	
25	252520105303	GASKET	1		
27	252520147011	WATER PUMP PULLEY-3 GROOVE(160 DIA)	1		
28	252520140135	FAN/ FANDRIVE ASSY (22"-LOW SPEED)-BORGW	1		
29	252520140132	FAN DRIVE ASSEMBLY (LOW SPEED) (BORG WAR	1		
30	252520140117	ASSY.FAN(W/O VISCOUS COUPLING)	1		
32	252520156306	V BELT COGGED 1325 LONG	4		
33	252520120183	ASSY. THERMOSTAT	1		
35	14280598217	HOSE CLIP TB 54	1		
	14280599264	HOSE CLIP TB 34	1		
36	252520305808	HOSE(THERMOSTAT TO WATER PUMP)	1		
37	254750104213	HOSE CLAMP (56 DIA)	5		
38	252520120208	ASSY. UPPER COOLING WATER LINE	1		
39	3522030680	GASKET (UPPER COOLING LINE)	2		
42	263254209903	TEMP. TRANSDUCER	1		
43	252550005830	RUBBER BELLOW	1		
44	252550005839	HOSE "THERMOSTAT TO RADIATOR"	1		
45	254750104213	HOSE CLAMP (56 DIA)	2		
46	14280599302	HOSE CLAMP TB 36	1		
48	264154209962	WATER TEMP. SENSOR	1		
50	252520143839	FAN SHROUD RING	1		
	252550507703	RUBBER RING (110MM WIDTH)	1		
52	252550504201	HOSE CLAMP (610 ID)	2		
53	252520140112	ASSY.BRACKET TOP-RH (FAN RING MTG)	1		
54	252520140113	ASSY BRACKET TOP-LH (FAN RING MTG)	1		
55	252520140131	ASSY.BRACKET BOTTOM-RH (FAN RING MTG)	1		
56	252520140115	ASSY.BRACKET-BOTTOM-LH (FAN RING MTG)	1		

CHASSIS TYPE: ALL



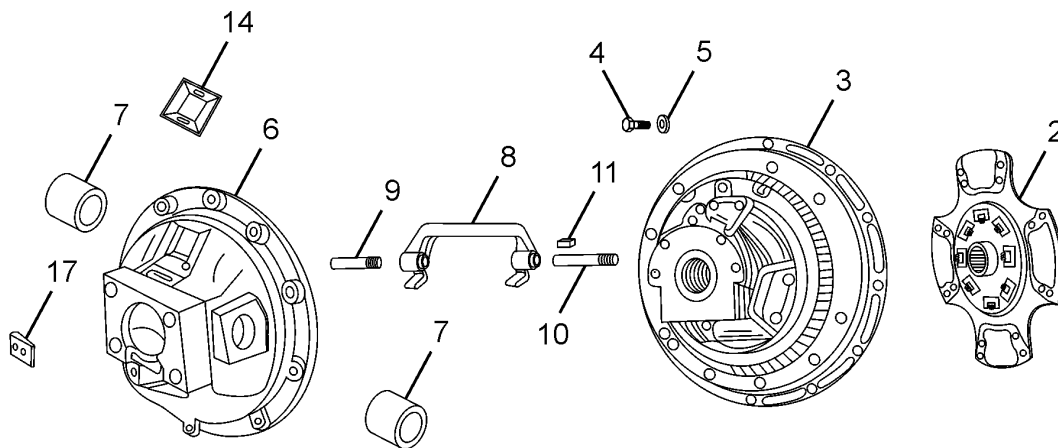
00.23.01		STEERING PUMP MOUNTING AND DRIVE ARRANGEMENT		GROUP 23	
CHASSIS TYPE: ALL					
FIG. NO.	PART NUMBER	DESCRIPTION	QTY	REMARKS	
1	257323100101	Z F STEERING PUMP	1		
2	252523403304	BRACKET (ZF POWER STEERING)HYD.PUMP	1		
3	252523116705	PIVOT PIN	1		
4	252523400105	CLAMPING LEVER ASSY.	1		
5	3521550272	CLAMPING NUT	1		
6	3141550228	CLAMPING PIECE	1		
7	252523407005	PULLEY (POWER STEERING PUMP)	1		
8	260020156302	V-BELT(COGGED) 980 MM LENGTH	1		

CHASSIS TYPE: ALL



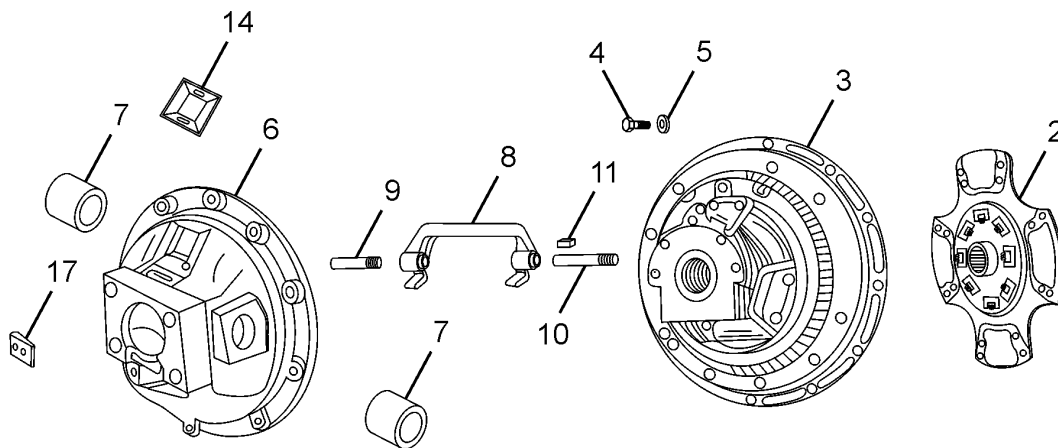
00.24.01		ENGINE SUSPENSION		GROUP 24	
CHASSIS TYPE: ALL					
FIG. NO.	PART NUMBER	DESCRIPTION	QTY	REMARKS	
1	252522125105	ENGINE MOUNTING ARM, FRONT	2		
2	252322123204	HEX COLLAR SCREW(SUPPORT TO ENGINE)	2		
3	252322123205	HEX COLLAR SCREW(SUPPORT TO ENGINE)	2		
5	3522420509	TORQUE SUPPORT	2		
	257624109201	WASHER	2		
8	257624100101	ASSY RUBBER SUPPORT FRONT	2		
11	257624200118	ASSY RUBBER SUPPORT REAR	1		
17	280924200107	ASSY BOTTOM BKT-RH (ENGINE MTG.REAR)	1		
18	280924200108	ASSY BOTTOM BKT-LH (ENGINE MTG.REAR)	1		
15	284924200108	ASSY. BKT.-RH(ENG. MTG. REAR TOP)	1		
15	284924200107	ASSY. BKT-LH(ENG. MTG. REAR TOP)	1		
20	252522107109	LIFTING HOOK-REAR	1		

CHASSIS TYPE: ALL



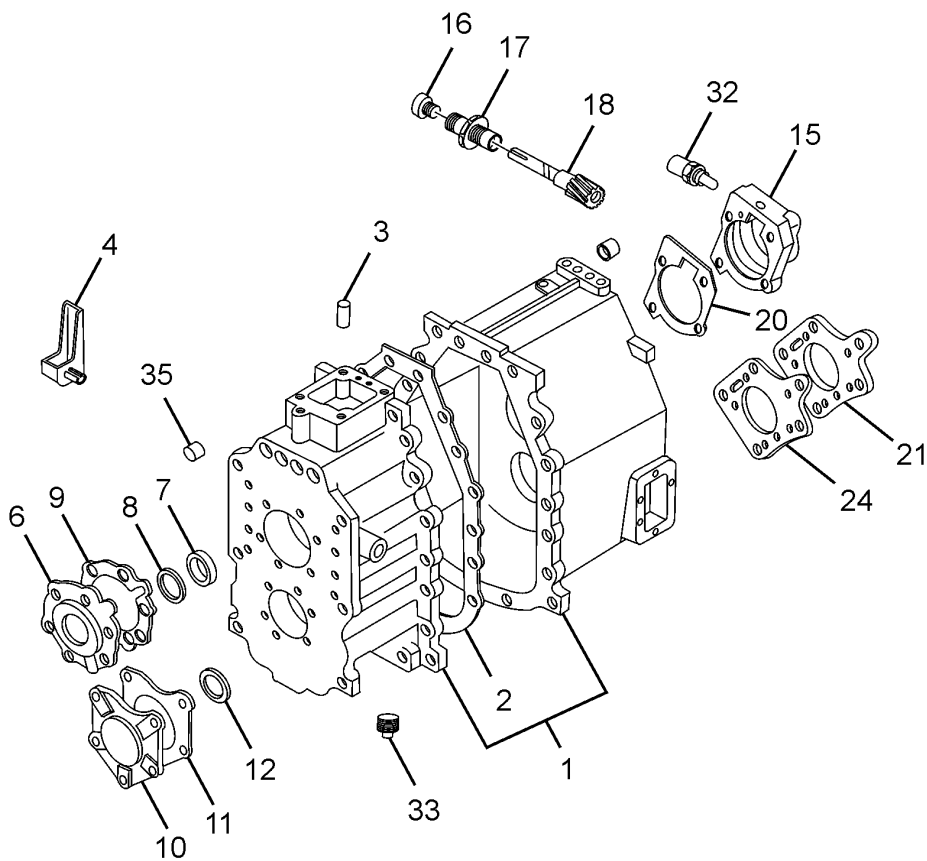
00.25.01		CLUTCH		GROUP 25
CHASSIS TYPE: ALL				
FIG. NO.	PART NUMBER	DESCRIPTION	QTY	REMARKS
2	275225200107	352 DIA. CL.DISC ASSY.(1.75")VALEO IMPRO	1	
3	275225400114	352 DIA.CL. COVER ASSY (1.75")VALEO IMPR	1	
4	275425408001	HEX. SCREW (FOR CLUTCH MOUNTING)	8	
5	275425409201	FLAT WASHER	8	
6	272425100118	SUB - ASSY. CLUTCH HOUSING	1	
7	275425103401	BUSH	4	
8	275425605101	CLUTCH RELEASE YOKE (RELEASE YOKE ON CLUTCH HOUSING)	1	
9	275425607901	CROSS SHAFT (KNURLED ON LH SIDE)	1	
10	275425607902	CROSS SHAFT (KNURLED ON RH SIDE)	1	
11	275425605901	KEY (CLUTCH RELEASE YOKE)	1	
14	0422510004J	COVER CLUTCH HOUSING UPPER	1	
17	269125108201	COVER	1	
		REPAIR KITS (COIL TYPE)		
	275425400119	RELEASE SLEEVE SERVICE KIT CONSIST OF :	1	
		LOCK NUT SLEEVE	1	
		SLEEVE	1	
		SLEEVE BUSHING (IMP.)	1	
		ADJ. RING	1	
	275425400110	RELEASE LEVER SERVICE KIT CONSIST OF :	1	
		RELEASE LEVER	3	
		RETRACTOR SPRING	3	
		PRESS PLATE PIN	3	
		NEEDLE BEARING (IMP.)	6	
		WASHER	6	
		RETAINER SPRING	3	
	275425400111	PRESSURE SPRING SERVICE KIT CONSIST OF :	1	
		PRESSURE SPRING	12	
		PRESSURE SPRING	9	
	275425400112	RELEASE BEARING CASTING SERVICE KIT CONSIST OF :	1	
		GREASE NIPPLE	1	

CHASSIS TYPE: ALL



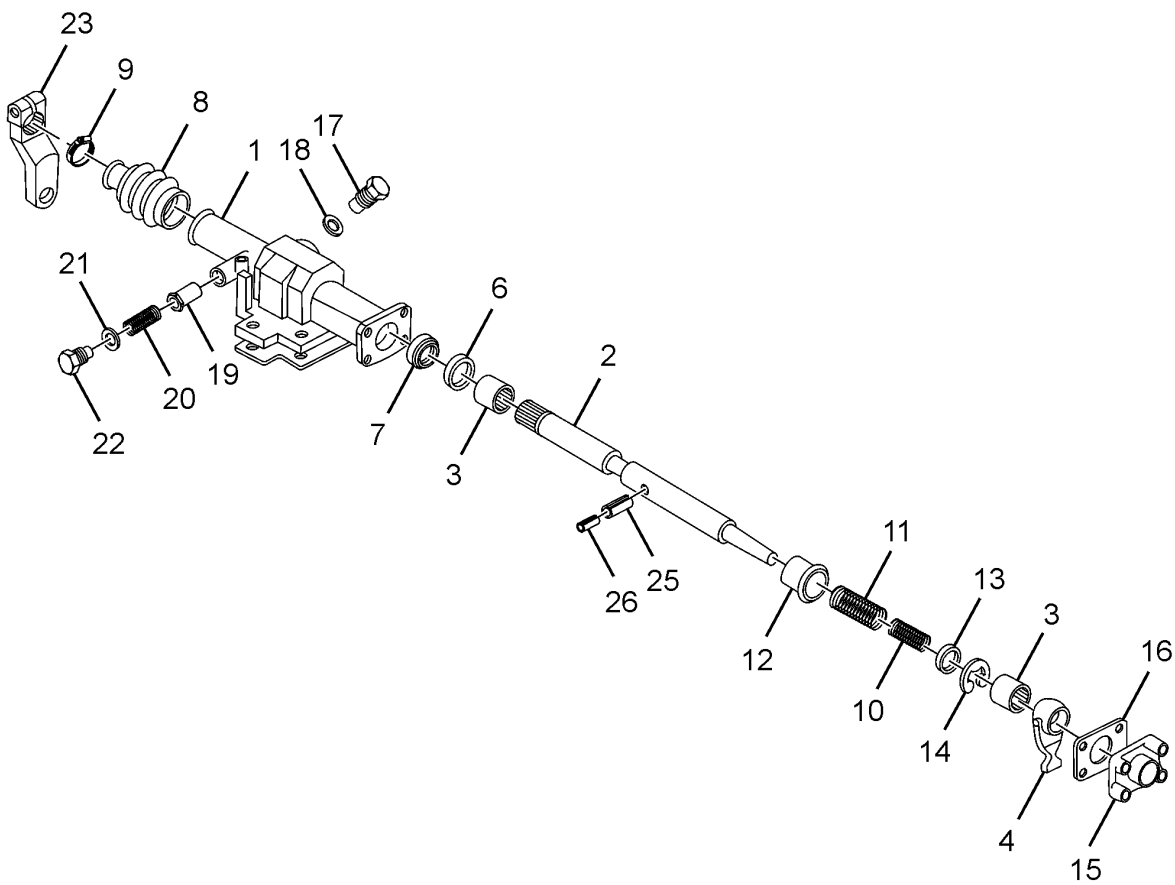
00.25.01		CLUTCH		GROUP 25
CHASSIS TYPE: ALL				
FIG. NO.	PART NUMBER	DESCRIPTION	QTY	REMARKS
	275425400113	RELEASE BEARING HOUSING SUB. ASSY. BEARING HOUSING WELDING W/BRG. HSG. WEAR PAD FULL RELEASE LEVER ASSY. SERVICE KIT CONSIST OF : SPIDER LOCK NUT SLEEVE COTTER PIN RELEASE BEARING SUB ASSY. BEARING HOUSING ADJ. RING COVER PLATE WELDING W/BRG. HSG. WEAR PAD SLEEVE BEARING SLEEVE BUSHING BEARING RIVET GREASE NIPPLE SNAP RING	1 1 2 1 1 1 1 3 1 1 2 1 1 1 4 1 1	
	275425400114	PRESSURE PLATE AND NEEDLE ROLLER SERVICE KIT CONSIST OF : PRESSURE PLATE NEEDLE BEARING	1 1 6	
	275425400115	EYE BOLT AND NEEDLE ROLLER SERVICE KIT CONSIST OF : EYE BOLT LOCK NUT AGJUSTING NUT NEEDLE BEARING (IMP.) EYE BOLT PIN	1 3 3 3 3	
	275425400116	RELEASE SPIDER SERVICE KIT CONSIST OF : SPIDER COTTER PIN LOCK NUT SLEEVE	1 1 3 1	
	275425400120	HOLD DOWN BOLT KIT CONSIST OF : HOLD DOWN BOLT WASHER	1 3 3	
	275425200109	DISC FACING KIT CONSIST OF : FACING CERAMIC FACING RIVETS	1 12 12	
	275225400110	ASSY. RELEASE BEARING (1.75 DIA.)	1	

CHASSIS TYPE: ALL



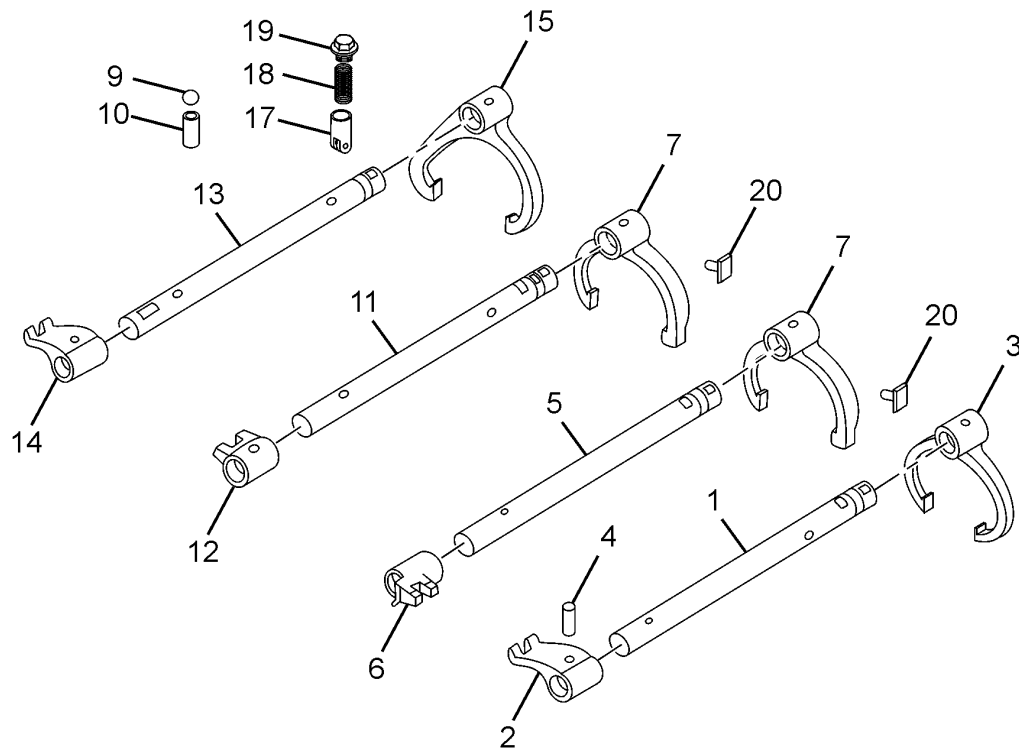
26.26.01		GEARBOX, HOUSING AND COVERS		GROUP 26	
CHASSIS TYPE: ALL					
FIG. NO.	PART NUMBER	DESCRIPTION	QTY	REMARKS	
	269126010243	ASSY G600-6/6.58LHD PTO(0.890)RUSSIA NSL			
-	269126010244	ASSY G600-6/6.58 SUIT PTO 150SER RUSSIA	1		
1	269126100106	ASSY. HOUSING FRONT+REAR HALF (OVER DRIVE)	1		
2	269126105303	GASKET (HOUSING FRONT & REAR)	1		
3	269126106701	PIN (GEAR BOX HOUSING)	2		
4	269126106301	OIL CATCHER	1		
-	269126108202	COVER (OIL CATCHER)	1		
6	269126253704	FRONT COVER (UPPER)	1		
7	269126257808	OIL SEAL (CR SEALS)	1		
8	269126208301	SHIM (0.5 THICK)	AR	FOR SELECTION	
8	269126208302	SHIM (0.25 THICK)	AR	FOR SELECTION	
8	269126208303	SHIM (0.125 THICK)	AR	FOR SELECTION	
8	269126208304	SHIM (0.05 THICK)	AR	FOR SELECTION	
9	269126255302	GASKET (FRONT COVER UPPER)	1		
10	269126303703	FRONT COVER (LOWER)	1		
11	269126255303	GASKET (FRONT COVER LOWER)	1		
12	269126308305	SHIM (0.5 THICK)	AR	FOR SELECTION	
12	269126308306	SHIM (0.25 THICK)	AR	FOR SELECTION	
12	269126308307	SHIM (0.125 THICK)	AR	FOR SELECTION	
12	269126308308	SHIM (0.05 THICK)	AR	FOR SELECTION	
15	269126203710	REAR COVER (UPPER)	1		
-	269126208203	OIL SLINGER (REAR COVER UPPER)	1		
16	250626207804	OIL SEAL (SPEEDO PINION)	1		
17	269126203426	SPEEDO ADAPTER	1		
18	269126207910	SPEEDO PINION	1		
20	269126205302	GASKET (REAR COVER UPPER)	1		
21	269126303702	REAR COVER (GEAR BOX HOUSING COVER -LOWER)	1		
24	269126305301	GASKET (REAR COVER LOWER)	1		
-	269126159901	ADAPTER (BREATHER)	1		
-	257428159901	BREATHER (MICO)	1		
32	270254509950	REVERSE LIGHT SWITCH	1		
33	250626107203	MAGNETIC DRAIN PLUG (HEX. HEAD TYPE)	2		
35	269126108201	PLUG (SHIFTER SHAFT REAR)	8		
	269126207807	OIL RETAINER (DRIVE SHAFT)	1		
	269126258203	OIL DAM (FRONT COVER)	1		
	269126258205	OIL SLINGER (FRONT COVER)	1		
	269126208203	OIL SLINGER (REAR COVER)	1		

CHASSIS TYPE: ALL



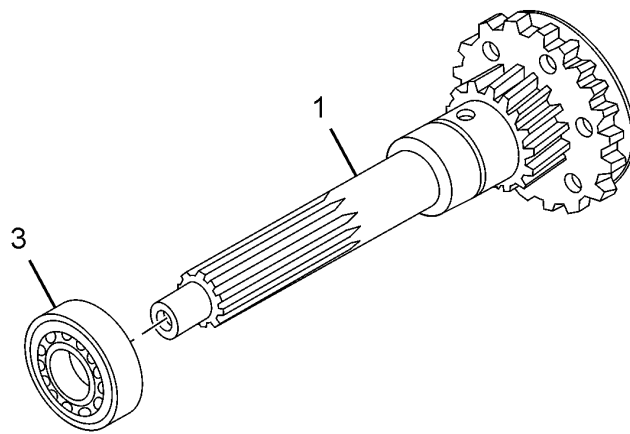
26.26.02		TOP COVER		GROUP 26	
CHASSIS TYPE: ALL					
FIG. NO.	PART NUMBER	DESCRIPTION	QTY	REMARKS	
1	251626713705	COVER TOP (UPPER)	1		
-	251626715303	GASKET UPPER HALF GEAR CASE COVER TOP	1		
2	269126707906	SELECTOR AND SHIFTER SHAFT	1		
3	250726713105	NEEDLE CAGE	2		
4	269126715101	SHIFTER FINGER	1		
6	17061602518	OIL SEAL 25X35X7	1		
7	250726717803	SCRAPER RING	1		
8	250526717701	BELLOW	1		
9	14270202501	HOSE CLIP 25	1		
10	251626718705	COMPRESSION SPRING (INNER)	1		
11	251626718707	COMPRESSION SPRING (OUTER)	1		
12	251626718201	CUP	1		
13	251626718601	SPACER	1		
14	14550801206	CIRCLIP 12X1.3	1		
15	269126713802	COVER (SIDE)	1		
16	251626715302	GASKET (SIDE COVER)	1		
17	16081001603	SEALING PLUG AM 16X1.5	1		
18	251626718602	CRINKLED WASHER	1		
19	251626716705	PRESSURE PIECE	1		
20	251626718704	COMPRESSION SPRING	1		
21	251626718603	CRINKLED WASHER	1		
22	251626717201	SEALING PLUG	1		
23	250526706009	SHIFTING LEVER (SELECTOR & SHIFTER SHAFT)	1		
25	13120512409	DOWEL SLEEVE HEAVY 10X40	1		
26	13120510406	DOWEL SLEEVE HEAVY 6X40	1		

CHASSIS TYPE: ALL



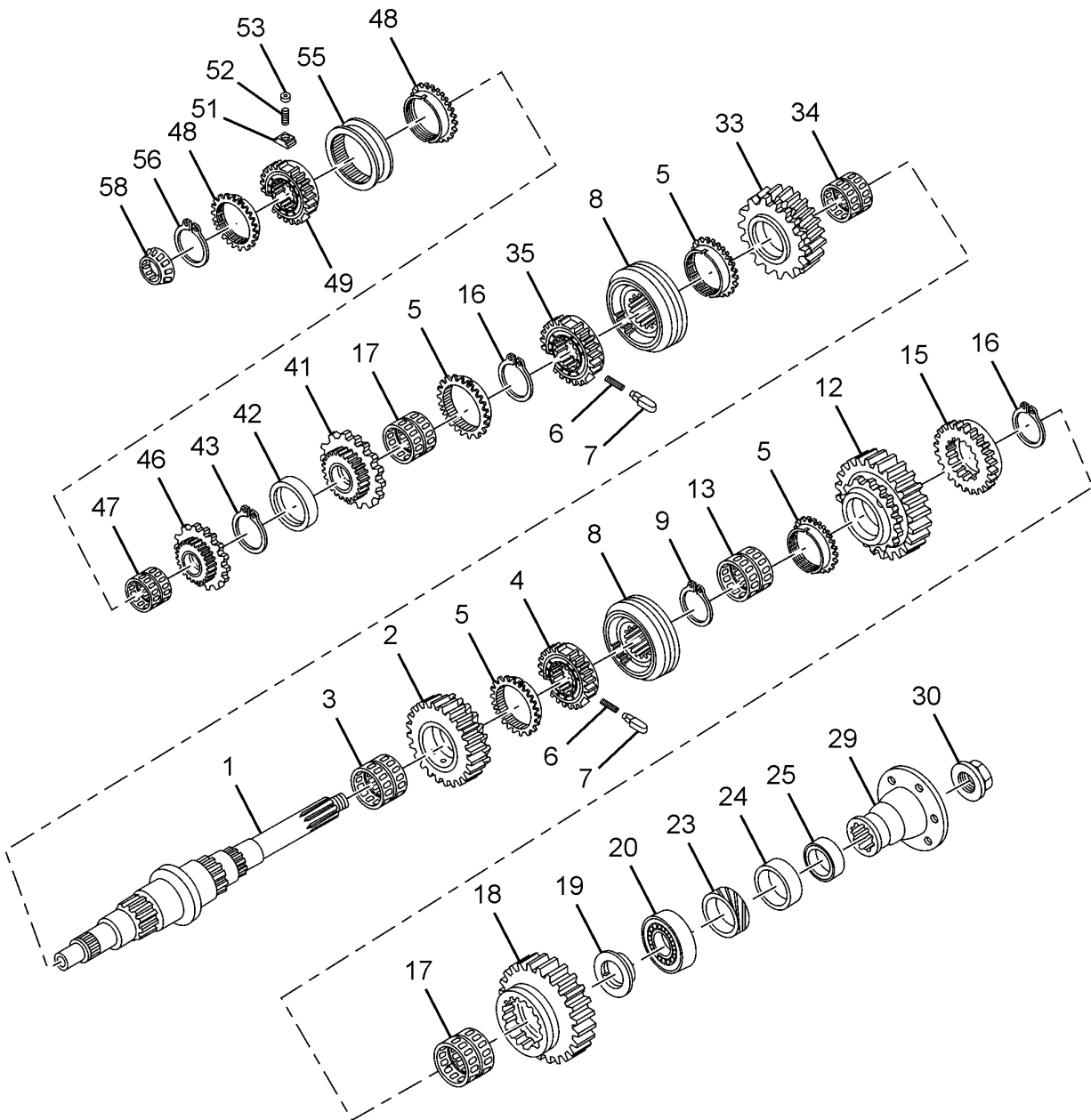
26.26.03		SHIFTER SHAFT AND FORK		GROUP 26	
CHASSIS TYPE: ALL					
FIG. NO.	PART NUMBER	DESCRIPTION	QTY	REMARKS	
1	269126517907	SHIFTER SHAFT (5TH / 6TH SPEED)	1		
2	269126515123	SHIFTER DOG (5TH / 6TH SPEED)	1		
3	269126515120	SHIFTER FORK (5TH / 6TH SPEED)	1		
4	269126516706	SPIRAL PIN 8X36	2		
5	269126517910	SHIFTER SHAFT (3/4 SPEED)	1		
6	269126515116	SHIFTER DOG (3RD / 4TH SPEED)	1		
7	269126515125	SHIFTER FORK (1/2, 3/4 SPEED)	1		
4	269126516706	SPIRAL PIN 8X36	2		
9	15950400177	BALL 13.49 DIA.	3		
10	269126516703	INTERLOCK PIN	2		
11	269126517908	SHIFTER SHAFT (1ST / 2ND SPEED)	1		
12	269126515115	SHIFTER DOG (1ST / 2ND SPEED)	1		
7	269126515125	SHIFTER FORK (1/2, 3/4 SPEED)	1		
4	269126516706	SPIRAL PIN 8X36	2		
13	269126517909	SHIFTER SHAFT (REVERSE)	1		
14	269126515118	SHIFTER DOG (REVERSE)	1		
15	269126515113	SHIFTER FORK (REVERSE)	1		
4	269126516706	SPIRAL PIN 8X36	2		
17	269126510120	ASSY. DETENT	4		
18	269126518703	COMPRESSION SPRING (DETENT)	4		
19	269126107202	SEALING PLUG (DETENT)	6		
20	269126519901	BRASS PAD	6		

CHASSIS TYPE: ALL



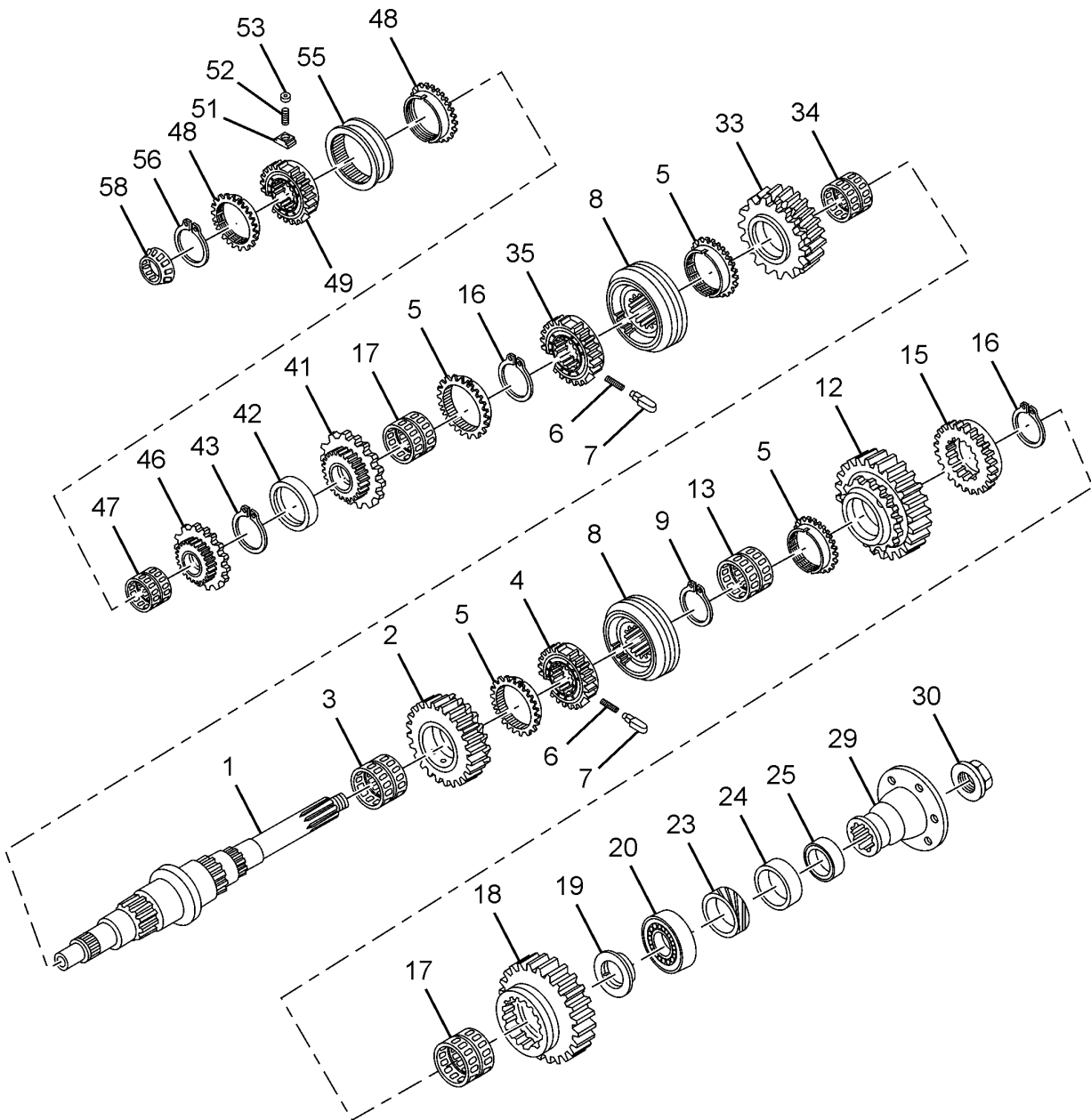
26.26.04		DRIVE SHAFT		GROUP 26	
CHASSIS TYPE: ALL					
FIG. NO.	PART NUMBER	DESCRIPTION	QTY	REMARKS	
1	269126250135	ASSY. DRIVE SHAFT (RATIO 6.58)	1		
3	269126203103	TAPER ROLLER BEARING (CLUTCH SIDE)	1		

CHASSIS TYPE: ALL



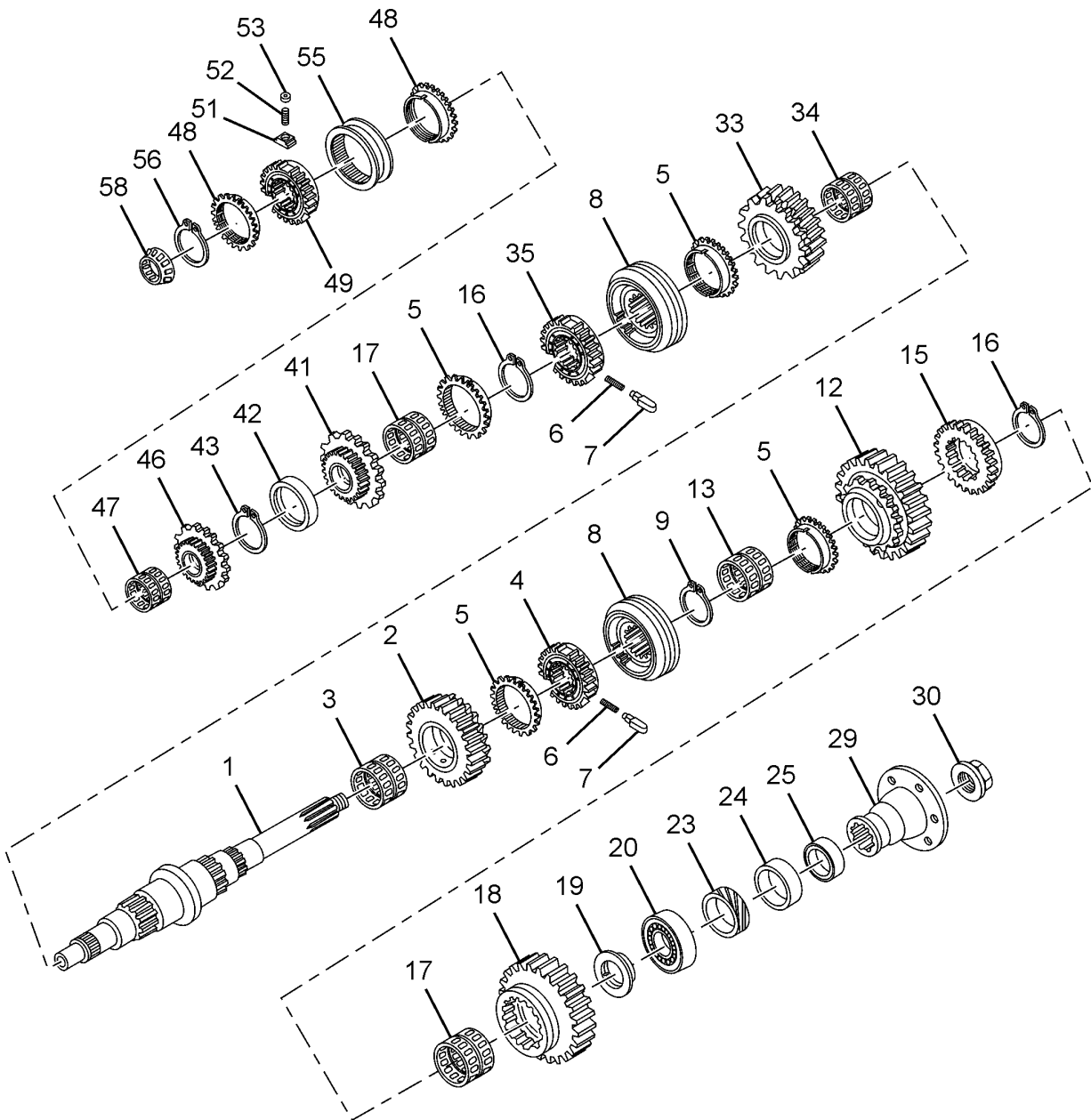
26.26.05		MAINSHAFT AND GEAR		GROUP 26
CHASSIS TYPE: ALL				
FIG. NO.	PART NUMBER	DESCRIPTION	QTY	REMARKS
1	269126207911	MAIN SHAFT (6 SPEED)	1	
2	269126205437	2ND SPEED	1	
	269126204643	GEAR[M/SHAFT](LOOSE SYN.RING) SYNCHRO RING(1ST/2ND/3RD SPEED)LOOSE RIG	1	
3	269126203120	NEEDLE CAGE DOUBLE ROW	1	
4	269126204641	ENGAGING GEAR(1ST/2ND) LOOSE SYN.RING.	1	
5	269126204650	SYNCHRO CONE (1/2 -3/4) (CARBON)	2	
6	250726208705	COMPRESSION SPRING	3	
7	250726206702	RETENTION PIN	3	
8	269126204618	SHIFTER SLEEVE (1ST / 2ND / 3RD / 4TH)	1	
9	269126204313	CIRCLIP (2.3 THICK)	1	FOR SELECTION
9	269126204314	CIRCLIP (2.4 THICK)	1	FOR SELECTION
9	269126204315	CIRCLIP (2.6 THICK)	1	FOR SELECTION
9	269126204316	CIRCLIP (2.6 THICK)	1	FOR SELECTION
9	269126204317	CIRCLIP (2.7 THICK)	1	FOR SELECTION
12	269126205436	1ST SPEED GEAR[M/SHAFT](LOOSE SYN.RING)	1	
	269126204643	SYNCHRO RING(1ST/2ND/3RD SPEED)LOOSE RIG	1	
13	269126203111	NEEDLE CAGE 1ST SPEED	1	
15	269126204616	ENGAGING GEAR (REVERSE)	1	
16	269126204301	CIRCLIP (1.8 THICK)	1	FOR SELECTION
16	269126204302	CIRCLIP (1.9 THICK)	1	FOR SELECTION
16	269126204303	CIRCLIP (2.0 THICK)	1	FOR SELECTION
16	269126204304	CIRCLIP (2.1 THICK)	1	FOR SELECTION
16	269126204305	CIRCLIP (2.2 THICK)	1	FOR SELECTION
16	269126204310	CIRCLIP (2.3 THICK)	1	FOR SELECTION
16	269126204311	CIRCLIP (2.4 THICK)	1	FOR SELECTION
17	269126203106	NEEDLE CAGE (REVERSE / 4TH GEAR)	1	
18	269126205413	REVERSE GEAR (MAIN SHAFT)	1	
19	269126208612	SPACER (MAIN SHAFT) (11.4 THICK)	1	FOR SELECTION
19	269126208613	SPACER (MAIN SHAFT) (11.3 THICK)	1	FOR SELECTION
19	269126208614	SPACER (MAIN SHAFT) (11.2 THICK)	1	FOR SELECTION
19	269126208615	SPACER (MAIN SHAFT) (11.1 THICK)	1	FOR SELECTION
19	269126208616	SPACER (MAIN SHAFT) (11.0 THICK)	1	FOR SELECTION
19	269126208617	SPACER (MAIN SHAFT) (10.9 THICK)	1	FOR SELECTION
19	269126208618	SPACER (MAIN SHAFT) (10.8 THICK)	1	FOR SELECTION

CHASSIS TYPE: ALL



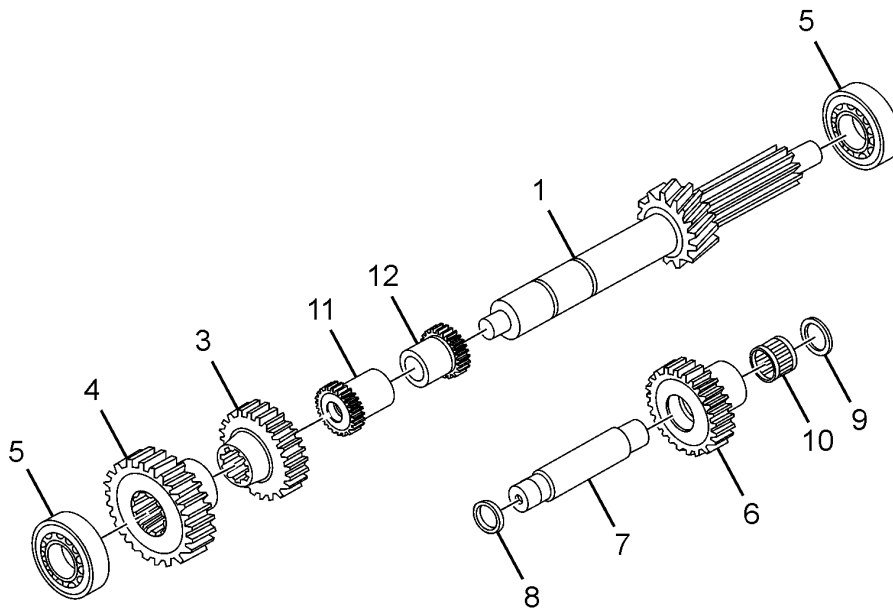
26.26.05		MAINSHAFT AND GEAR		GROUP 26	
CHASSIS TYPE: ALL					
FIG. NO.	PART NUMBER	DESCRIPTION	QTY	REMARKS	
19	269126208619	SPACER (MAIN SHAFT) (10.7 THICK)	1	FOR SELECTION	
19	269126208620	SPACER (MAIN SHAFT) (10.5 THICK)	1	FOR SELECTION	
19	269126208624	SPACER (MAIN SHAFT) (11.6 THICK)	1	FOR SELECTION	
19	269126208625	SPACER (MAIN SHAFT) (11.5 THICK)	1	FOR SELECTION	
19	269126208626	SPACER (MAIN SHAFT) (10.5 THICK)	1	FOR SELECTION	
19	269126208627	SPACER (MAIN SHAFT) (10.4 THICK)	1	FOR SELECTION	
20	269126203103	TAPER ROLLER BEARING	1		
23	268826205407	SPEEDO GEAR (MAIN SHAFT)	1		
24	269126208601	SPACER (COUPLING FLANGE)	1		
25	269126207814	OIL SEAL (MAIN SHAFT)	1		
29	269126200193	ASSY COUPLING FLANGE(DIA 150 SERRATED)	1		
30	268826206501	LOCK NUT (COUPLING FLANGE)	1		
33	269126205438	3RD SPEED GEAR[M/SHAFT](LOOSE SYN.RING)	1		
	269126204643	SYNCHRO RING(1ST/2ND/3RD SPEED)LOOSE RIG	1		
34	269126203124	NEEDLE CAGE (1ST / 2ND / 3RD GEAR)	1		
35	269126204642	ENGAGING GEAR(3RD/4TH) LOOSE SYN.RING.	1		
8	269126204618	SHIFTER SLEEVE (1ST / 2ND & 3RD / 4TH)	1		
7	250726206702	RETENTION PIN	3		
6	250726208705	COMPRESSION SPRING	3		
5	269126204650	SYNCHROCONE (1/2 -3/4) (CARBON)	2		
16	269126204301	CIRCLIP (1.8 THICK)	1	FOR SELECTION	
16	269126204302	CIRCLIP (1.9 THICK)	1	FOR SELECTION	
16	269126204303	CIRCLIP (2.0 THICK)	1	FOR SELECTION	
16	269126204304	CIRCLIP (2.1 THICK)	1	FOR SELECTION	
16	269126204305	CIRCLIP (2.2 THICK)	1	FOR SELECTION	
16	269126204310	CIRCLIP (2.3 THICK)	1	FOR SELECTION	
16	269126204311	CIRCLIP (2.4 THICK)	1	FOR SELECTION	
17	269126203106	NEEDLE CAGE (REV. GEAR / 4TH)	1		
41	269126205442	4TH SPEED GEAR(6.58 RATIO-LOOSE SYNRING)	1		
	269126204644	SYNCHRO RING(4TH SPEED)[LOOSE SYN.RING]	1		
42	269126208628	SPACER (MAIN SHAFT)	1		
43	269126204306	CIRCLIP (2.4 THICK)	1	FOR SELECTION	
43	269126204307	CIRCLIP (2.5 THICK)	1	FOR SELECTION	
43	269126204308	CIRCLIP (2.6 THICK)	1	FOR SELECTION	

CHASSIS TYPE: ALL



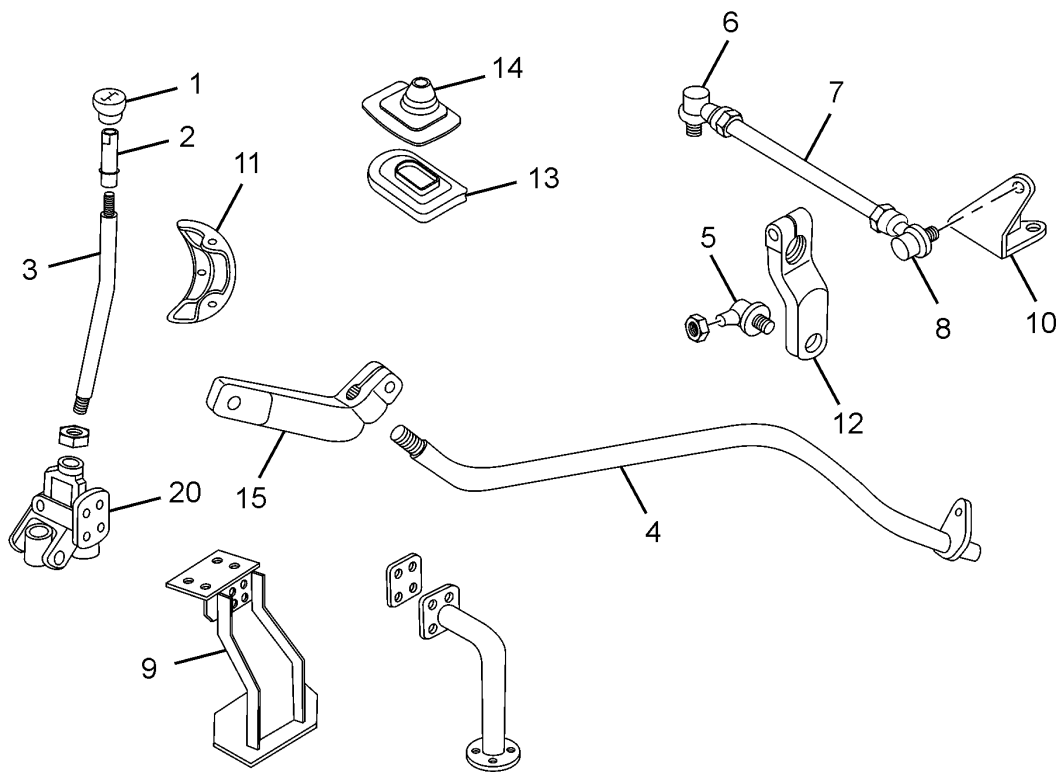
26.26.05		MAINSHAFT AND GEAR		GROUP 26	
CHASSIS TYPE: ALL					
FIG. NO.	PART NUMBER	DESCRIPTION	QTY	REMARKS	
43	269126204309	CIRCLIP (2.7 THICK)	1	FOR SELECTION	
43	269126204312	CIRCLIP (2.8 THICK)	1	FOR SELECTION	
	269126205441	OVER DRIVE GEAR (LOOSE SYN.)	1		
	269126204645	SYNCHRO RING(5TH SPEED)[LOOSE SYN.RING]	1		
46	269126200171	ASSY ENGAGING GEAR(5TH/DS)[THRUST BRG.AG	1		
47	269126203105	NEEDLE CAGE	1		
48	269126204651	SYNCHRO CONE (5 / 6 CARBON)	2		
49	269126204640	ENGAGING GEAR (5TH / 6TH SPEED)	1		
51	268826209901	CARRIER	3		
52	3219930701	COMPRESSION SPRING	3		
53	268826206702	RETENTION PIN (3/4)	3		
55	268826204608	SHIFTER SLEEVE (5TH / 6TH SPEED)	1		
56	251526204312	CIRCLIP 2.5 THICK	1	FOR SELECTION	
56	251526204313	CIRCLIP 2.54 THICK	1	FOR SELECTION	
56	251526204314	CIRCLIP 2.58 THICK	1	FOR SELECTION	
56	251526204315	CIRCLIP 2.62 THICK	1	FOR SELECTION	
56	251526204316	CIRCLIP 2.66 THICK	1	FOR SELECTION	
56	251526204333	CIRCLIP 2.7 THICK	1	FOR SELECTION	
56	251526204334	CIRCLIP 2.8 THICK	1	FOR SELECTION	
56	251526204335	CIRCLIP 2.75 THICK	1	FOR SELECTION	
58	269126253113	ROLLER (FOR DRIVE SHAFT)	15		

CHASSIS TYPE: ALL



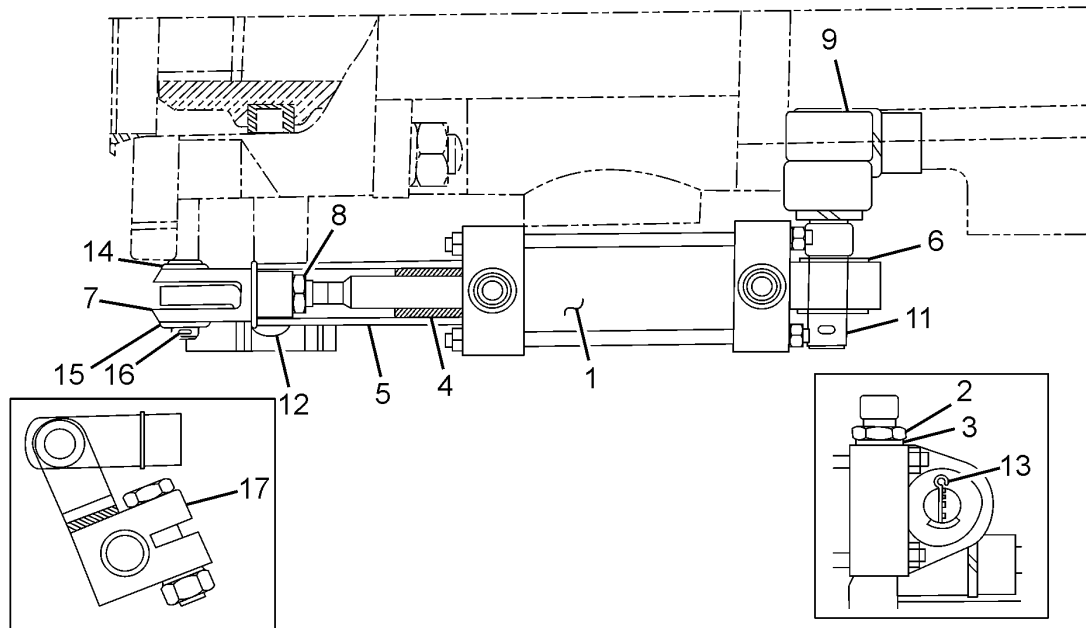
26.26.06		COUNTER SHAFT, GEARS AND REVERSE IDLER		GROUP 26
CHASSIS TYPE: ALL				
FIG. NO.	PART NUMBER	DESCRIPTION	QTY	REMARKS
1	269126307904	COUNTER SHAFT (6 SPEED)	1	
3	269126305414	OVER DRIVE GEAR (C/SHAFT)	1	
4	269126305413	CONSTANT MESH GEAR(C/SHAFT)	1	
5	269126303104	TAPER ROLLER BEARING	2	
6	269126355403	REVERSE IDLER GEAR	1	
7	269126357902	REVERSE IDLER SHAFT	1	
8	269126358601	SPACER (REVERSE IDLER SHAFT)	1	
9	251626356102	THRUST WASHER (REVERSE IDLER GEAR)	1	
10	269126353104	ROLLER RING (REV. IDLER GEAR)	2	
11	269126305424	3RD GEAR (COUNTER SHAFT)	1	
12	269126305428	4TH GEAR (COUNTER SHAFT)	1	

CHASSIS TYPE: ALL



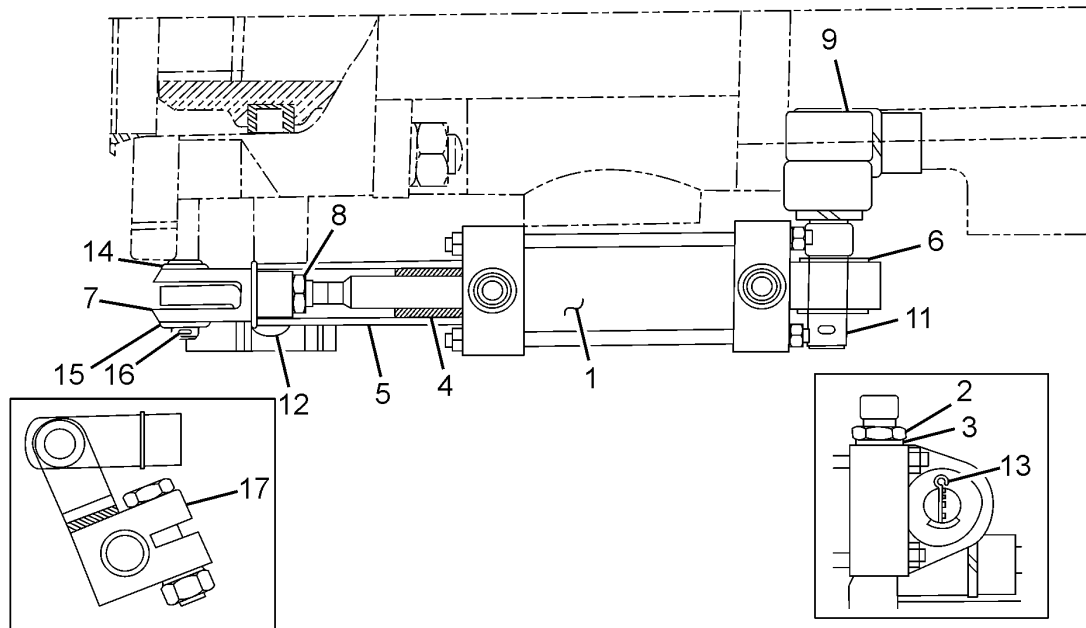
26.26.07		GEAR SHIFT LINKAGES		GROUP 26	
CHASSIS TYPE: ALL					
FIG. NO.	PART NUMBER	DESCRIPTION	QTY	REMARKS	
1	275126800134	ASSY. GEAR SHIFT LEVER KNOB	1		
2	276326800113	ASSY. SPACER	1		
-	276326808201	ANCHOR PLATE (FOR GEAR SHIFT LEVER)	1		
-	276326800118	ASSY. CARRIER (FOR GEAR SHIFT LEVER)	1		
3	276326809906	GEAR SHIFT LEVER	1		
-	265146603401	NEEDLE BUSH	2		
-	263026806703	PIN	1		
-	263026808601	SPACER	2		
-	265146607702	SEALING RING	2		
4	280926800126	ASSY TURNING TUBE (WITHOUT BALL JOINT)	1		
5	250726700152	SUB. ASSY. BALL AND SOCKET JOINT BIG	1	OPTIONAL	
5	250726700140	SUB. ASSY. BALL AND SOCKET JOINT BIG	1	OPTIONAL	
6	264126800191	ASSY. BALL JOINT, RH THREADS	1	OPTIONAL	
6	264126800187	ASSY. BALL JOINT, RH THREADS	1	OPTIONAL	
7	275726807901	LINK ROD	1		
8	264126800192	ASSY. BALL JOINT, LH THREADS	1	OPTIONAL	
8	264126800193	ASSY. BALL JOINT, LH THREADS	1	OPTIONAL	
9	280926810107	ASSY BRACKET(G.S.L.MTG)LPT1618,LHD,697TC	1		
10	269126710121	ASSY. BRACKET(ON GEAR BOX)	1		
11	276326806304	LOCATOR	1		
-	276326807703	FLAP	1		
12	250526706009	SHIFTING LEVER	1		
13	276326807704	RUBBER BELLOW (INNER) (FOR GEAR SHIFT LEVER)	1		
14	276326807705	RUBBER BELLOW (OUTER) (FOR GEAR SHIFT LEVER)	1		
15	275126805106	SELECTOR & SHIFTER FORK (WITH FLANGE)	1		
20	276326800110	ASSY HOUSING BLOCK	1		

CHASSIS TYPE: ALL



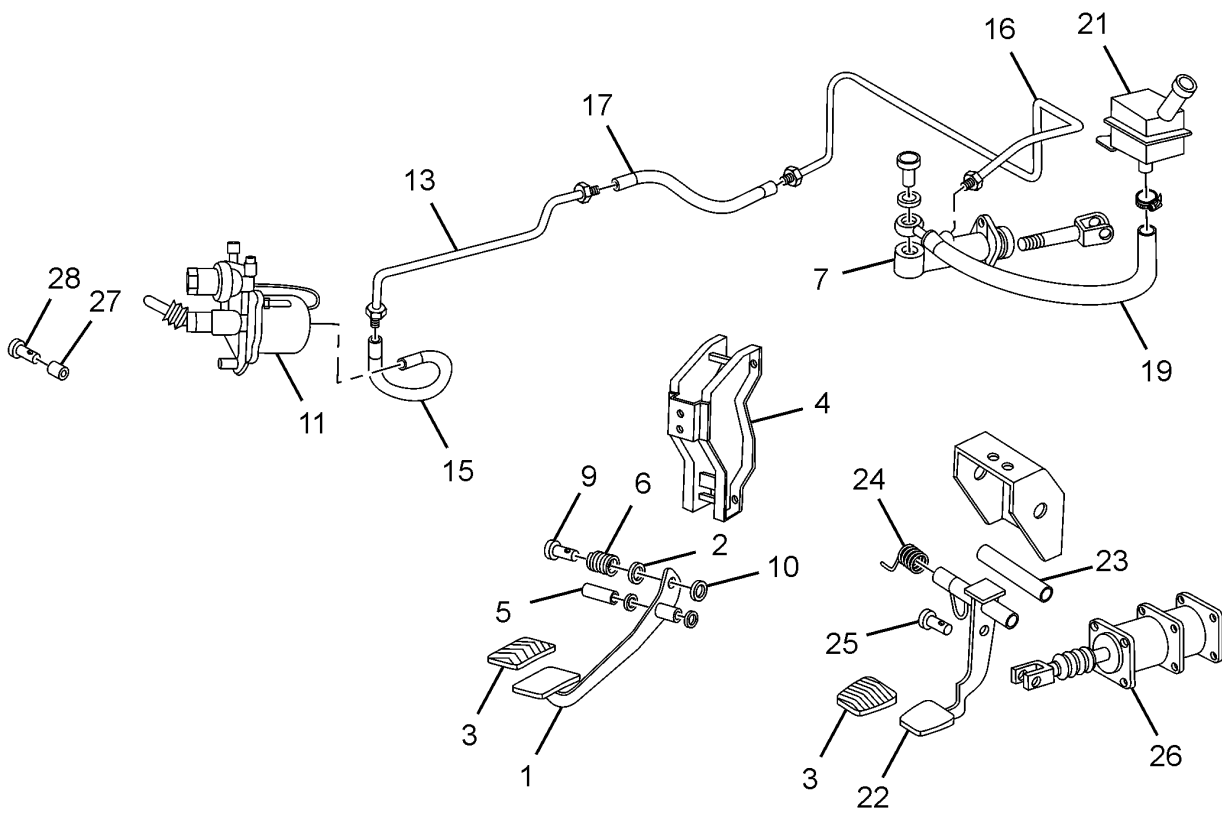
26.26.08		ASSY POWER TAKE OFF COMPLETE (SIDE MOUNTED)		GROUP 26
CHASSIS TYPE: ALL				
FIG. NO.	PART NUMBER	DESCRIPTION	QTY	REMARKS
	269126400116	ASSY POWER TAKE OFF COMPLETE (SIDE MOUNTED)	1	
	269126405303	GASKET (PTO MOUNTING FACE)	1	
	269126400113	ASSY HOUSING (SIDE MOUNTED PTO)	1	
	269126403708	HOUSING HALF OUTER (SIDE MOUNTED PTO)	1	
	269126403706	HOUSING (SIDE MOUNTED PTO)	1	
	269126406702	DOWEL PIN (DRIVE UNIT PTO)	2	
	269126405304	GASKET (HOUSING JOINT FACE)	1	
	269026203106	CYLINDER ROLLER BEARING (L/S FRT END)	1	
	269126407908	INPUT SHAFT (Z2=27)	1	
	265433403102	TAPER ROLLER BEARING (OUTER)	1	
	269126400118	ASSY SHIFTING LEVER (SIDE MTG PTO)	1	
	269126409901	BRASS PAD (SIDE MOUNT PTO)	1	
	269126407909	OUTPUT SHAFT (SIDE MOUNTED PTO)	1	
	269126405402	SLIDING GEAR (Z=18)	1	
	250526408614	SPACER	1	
	250726403104	DEEP GROOVE BALL BEARING	1	
	265133403129	TAPER ROLLER BEARING (30X72X20.75)	1	
	3122631452	SHIM 0.125	AR	FOR SELECTION
	3122631552	SHIM 0.240	AR	FOR SELECTION
	3122631652	SHIM 0.500	AR	FOR SELECTION
	3122632152	SHIM 0.050	AR	FOR SELECTION
	250726405302	GASKET	1	
	250726404701	BEARING COVER	1	
	269126408601	SPACER (OIL SEAL)	1	
	0039977746	OIL SEAL	1	
	17061698019	OIL SEAL B 16X24X65	1	
		SHIFT CYLINDER		
1	259445200102	ASSY SHIFT CYLINDER	1	
2	16440500602	COUPLING BODY L 6M TS16520	2	
3	16220510135	SEALING WASHER 10X135 IS 3175 AL	2	
4	259444118602	SPACER	1	
5	251052328703	COMPRESSION SPRING	1	
6	251052319201	WASHER	1	
7	17273408169	FORK HEAD 8X16 TS 6320	1	

CHASSIS TYPE: ALL



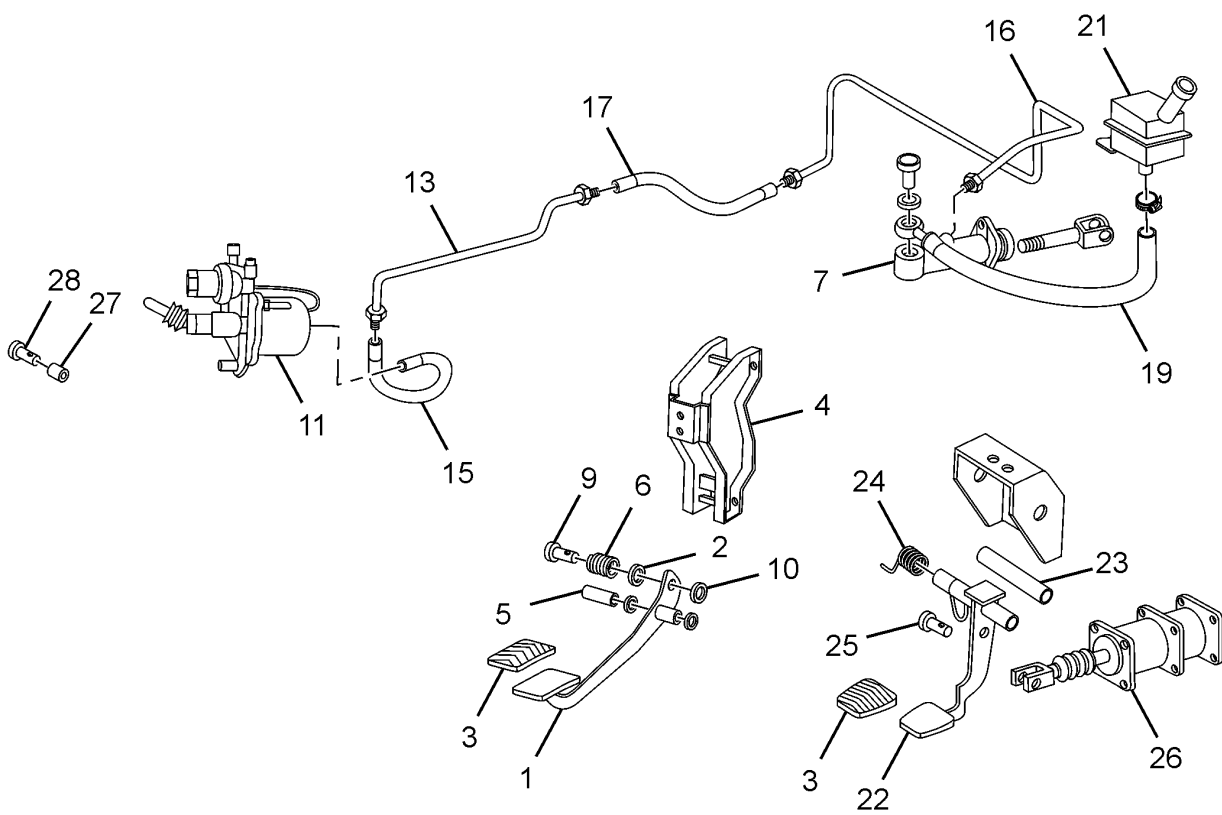
26.26.08		ASSY POWER TAKE OFF COMPLETE (SIDE MOUNTED)		GROUP 26
CHASSIS TYPE: ALL				
FIG. NO.	PART NUMBER	DESCRIPTION	QTY	REMARKS
8	12051598022	HEX NUT M 8 IS1364P3	1	
9	12520696014	SPRING WASHER B 12 IS3063	1	
11	259444116701	PIVOT PIN	1	
12	259444119201	WASHER	2	
13	13150608184	SPLIT PIN 32X18 IS549	1	
14	259444116702	CLEVIS PIN	1	
15	12460500841	BRIGHT WASHER 8 4 IS2016	1	
16	13150606106	SPLIT PIN 2X10 IS549	1	
17	250726400107	LEVER ASSY	1	
	269126406301	PROTECTIVE COVER (APP/PTO)	1	

CHASSIS TYPE: ALL



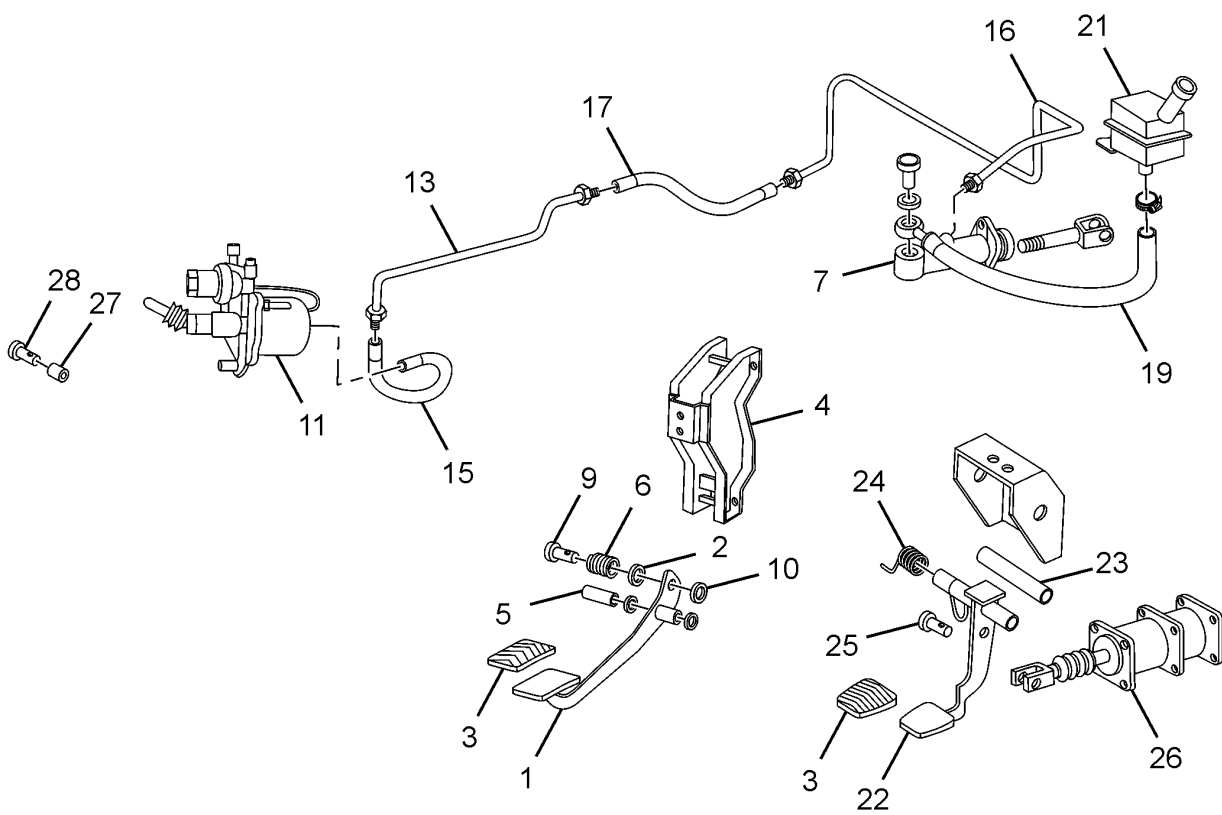
29.29.01		PEDALS (TILT CAB)		GROUP 29	
CHASSIS TYPE: ALL					
FIG. NO.	PART NUMBER	DESCRIPTION	QTY	REMARKS	
1	280929100120	ASSY.CLUTCH PEDAL COMPLETE	1		
2	265129103401	SINTERED BUSH	3		
3	265129107703	RUBBER COVER	2		
4	284929200101	ASSY. SUPPORT COMPLTE(CLUTCH)	1		
5	264129108602	SPACER	1		
6	264129108701	TORSION SPRING	1		
7	264129100153	ASSY. CLUTCH MASTER CYLINDER 19.05 DIA.	1		
9	257329209904	CLUTCH PEDAL PIN	1		
10	264129106301	BUSH (CLUTCH PEDAL)	1		
11	287629100101	ASSY. CLUTCH BOOSTER 70 DIA.	1		
	280929350103	ASSY,BRACKET (CLUTCH BOOSTER MTG.)	1		
	275429106007	CLUTCH RELEASE LEVER	1		
13	280929100110	ASSY. TUBE	1		
15	269929100169	ASSY. HOSE	1		
16	280929100111	ASSY. TUBE	1		
17	264129100199	ASSY. HOSE	1	OPTIONAL	
17	264129110101	ASSY. HOSE	1	OPTIONAL	
19	264129100175	ASSY.CONNECTING LINE	1		
	14270201700	HOSE CLAMP 17	1		
	265430107701	RUBBER STOPPER	1		
21	264129100182	BRAKE FLUID RESERVOIR	1		
22	280929100103	ASSY. BRAKE PEDAL COMPLETE	1		
	265129103401	SINTERED BUSH	2		
23	264129109902	SLEEVE	1		
24	264129108701	TORSION SPRING	1		
25	264129106703	BRAKE PIN	1		
26	264143700102	ASSY. DUAL BRAKE VALVE	1		
27	275129506301	BUSH	1		
28	257329209904	CLEVIS PIN	1		
		REPAIR KITS FOR ASSY CLUTCH CYLINDER(19.05 DIA)			
	264129100155	MAJOR REPAIR KIT OF 19.05 DIA.ASSY CLUTCH CYLINDER CONSISTS:	1		
		MINOR KIT CLUTCH M/CYL	1		
		CRIMPING SLEEVE	1		
		SEAL	1		
		PUSH ROD	1		
		FORK	1		
		CIRCLIP	1		

CHASSIS TYPE: ALL



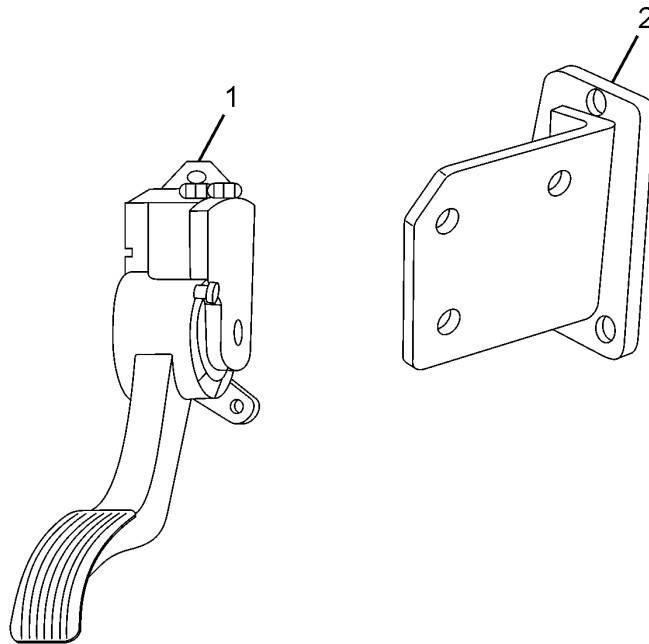
29.29.01		PEDALS (TILT CAB)		GROUP 29
CHASSIS TYPE: ALL				
FIG. NO.	PART NUMBER	DESCRIPTION	QTY	REMARKS
	264129100156	RUBBER BELLOW	1	
		MINOR REPAIR KIT OF 19.05 DIA. ASSY	1	
		CLUTCH CYLINDER		
		REPAIR KITS FOR ASSY BOOSTER(70 DIA)		
	280929100113	MAJOR REPAIR KIT CLUTCH BOOSTER(70 DIA)	1	
		GAITER	1	
		HYDRAULIC PISTON	1	
		CUP SEAL	1	
		CUP SEAL	1	
		OIL RING 29X3.4	1	
		CIRCLIP	1	
		GASKET	1	
		AIR SEAL	1	
		BANJO BOLT	1	
		WASHER	1	
		O RING 14X2.2	1	
		MAIN AIR SEAL	1	
		O RING 12X2	1	
		SEAL	1	
		RUBBER PIPE	1	
		SPRING CLIP	1	
		SEAL	1	
		AIR PROOF GASKET	1	
		SPRING	1	
		SPRING	1	
		VALVE POPPET	1	
		AIR PROOF GASKET	1	
		PUSH ROD ASSY	1	
	280929100114	MINOR REPAIR KIT CLUTCH BOOSTER(70 DIA)	1	
		CUP SEAL	1	
		CUP SEAL	1	
		OIL RING 29X3.4	1	
		CIRCLIP	1	
		GASKET	1	
		SEAL	1	
		O RING 14X2.2	1	
		MAIN AIR SEAL	1	
		O RING 12X2	1	
		SEAL	1	

CHASSIS TYPE: ALL



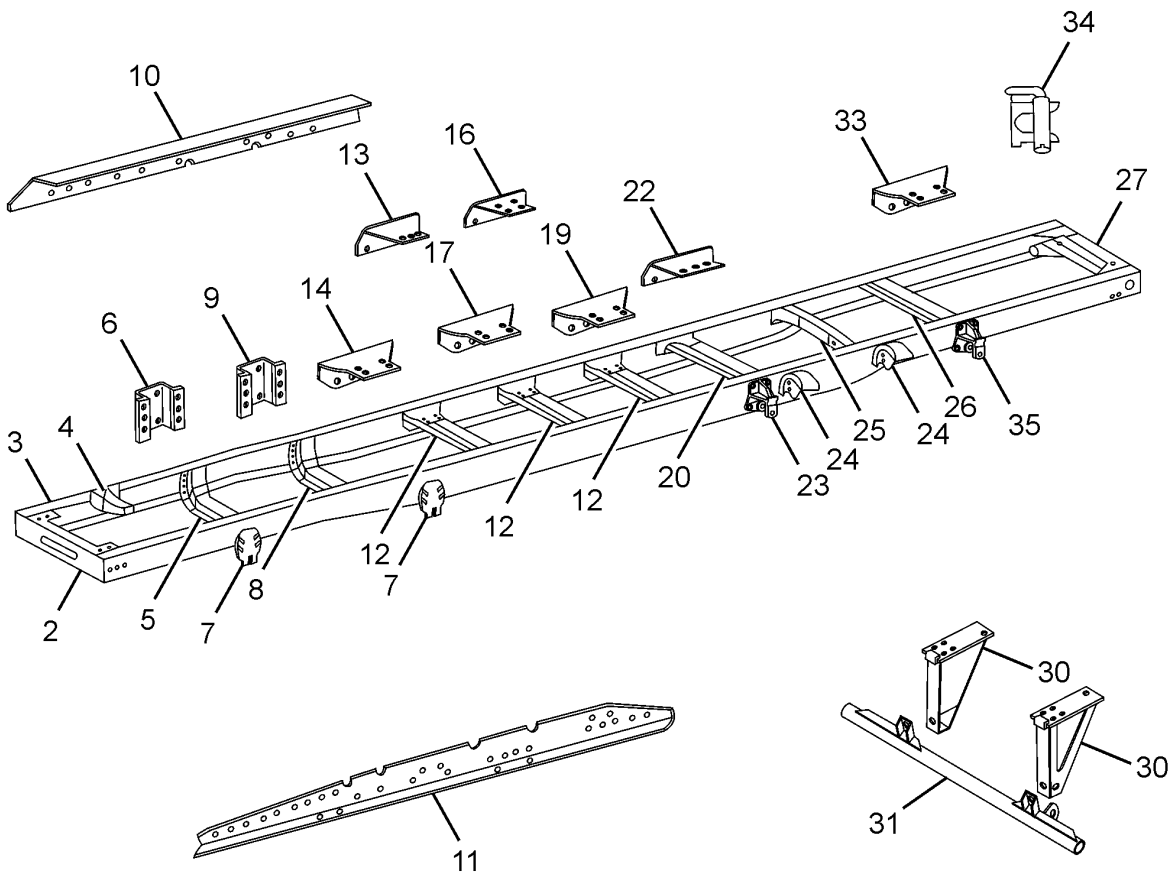
29.29.01		PEDALS (TILT CAB)		GROUP 29	
CHASSIS TYPE: ALL					
FIG. NO.	PART NUMBER	DESCRIPTION	QTY	REMARKS	
		O RING 19X2.5	1		
		AIR PROOF GASKET	1		
		SEAL	1		
		AIR PROOF GASKET	1		

CHASSIS TYPE: ALL



30.30.01		ACCELERATOR CONTROL		GROUP 30
CHASSIS TYPE: ALL				
FIG. NO.	PART NUMBER	DESCRIPTION	QTY	REMARKS
1	264130100155	ACCELERATOR PEDAL MODULE (M/S BOSCH)	1	
2	280930100105	ASSY. BRACKET ACCL. MODULE MTG.	1	

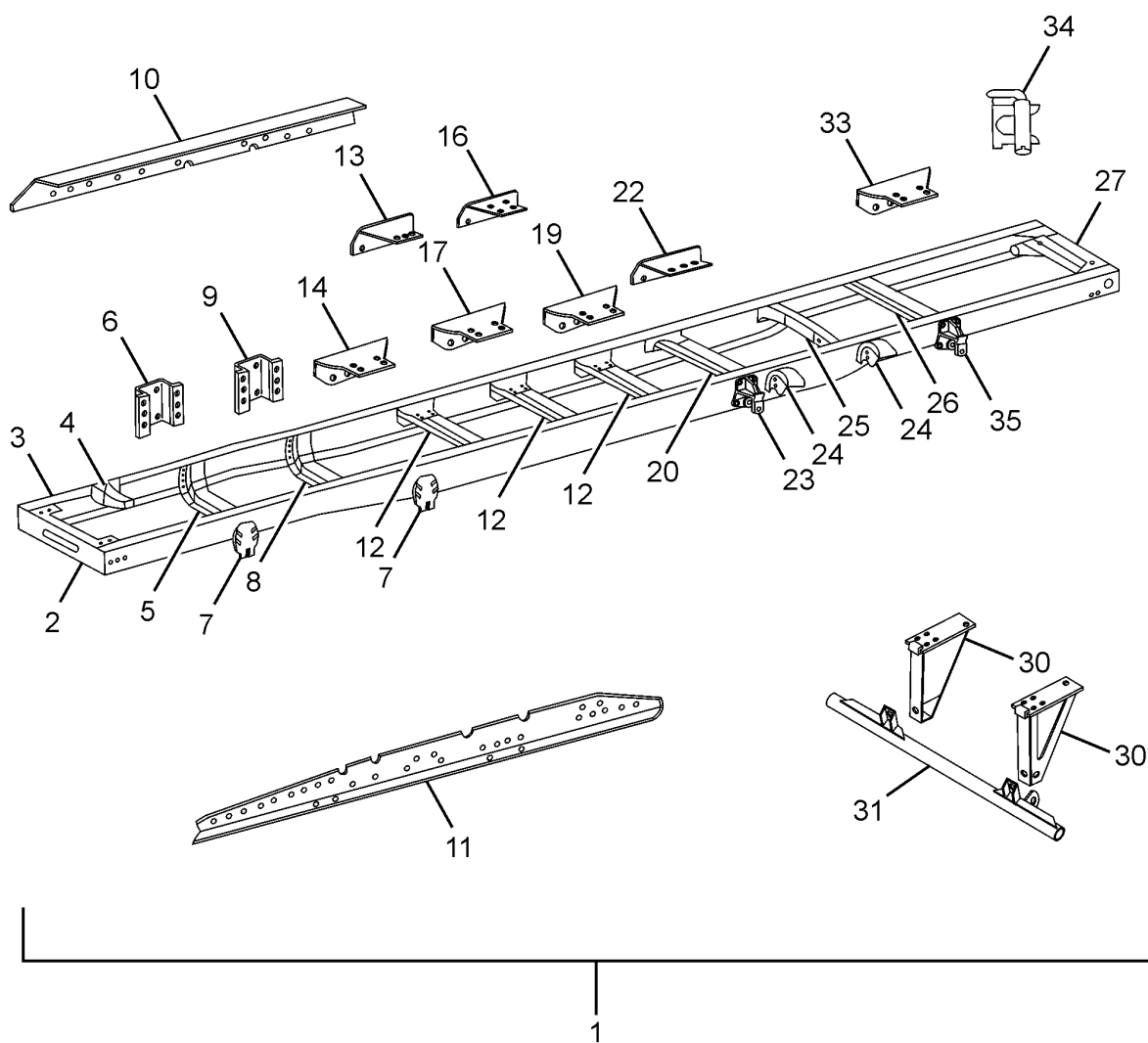
CHASSIS TYPE: ALL



1

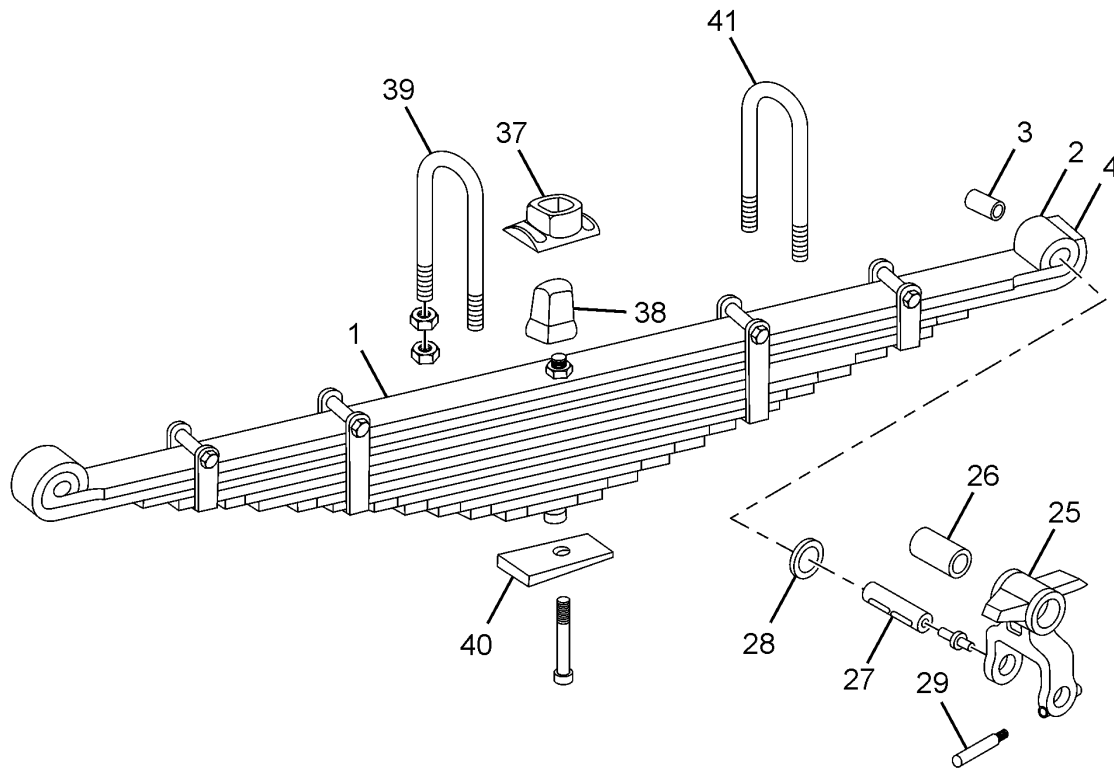
31.31.01		FRAME		GROUP 31	
CHASSIS TYPE: ALL					
FIG. NO.	PART NUMBER	DESCRIPTION	QTY	REMARKS	
1	280931000106	ASSY. FRAME COMPLETE - LPT1618TC/52,697	1		
2	280931200101	ASSY. BUMPER CROSS MEMBER	1		
—	257631506701	COUPLING PIN	1		
3	278231200129	ASSY. GUSSET -RH	1		
3	278231200130	ASSY. GUSSET -LH	1		
4	280931200123	ASSY.BRACKET -RH (RADIATOR MOUNTING)	1		
4	280931200124	ASSY.BRACKET -LH (RADIATOR MOUNTING)	1		
5	280631200102	ASSY. ENG CROSS MEMBER FRONT	1		
6	280931200125	ASSY.SUPPORT (ENGINE CROSS MEMBER FRONT)	2		
7	257632103304	FRONT SPRING BRACKET FRONT & REAR (FOR FRONT SPRING)	4		
8	280931200105	ASSY. ENGINE CROSS MEMBER REAR	1		
9	280931200103	ASSY. SUPPORT (ENG. C/M REAR)	2		
-	280931207106	INTERMEDIATE PLATE	2		
10	280931307115	REINFORCEMENT TOP LH (ENGINE CROSS MEMBER REAR)	1		
10	280931307114	REINFORCEMENT TOP RH (ENGINE CROSS MEMBER REAR)	1		
11	280931307107	REINFORCEMENT BOTTOM LH (ENGINE CROSS MEMBER REAR)	1		
11	280931307108	REINFORCEMENT BOTTOM RH (ENGINE CROSS MEMBER REAR)	1		
12	260031207105	CROSS MEMBER 4TH/5TH/6TH	3		
14	280931307103	SUPPORT BOTTOM (FOR 4TH C. M)	2		
13	278231307113	SUPPORT TOP RH (FOR 4TH C. M)	1		
13	278231307114	SUPPORT TOP LH (FOR 4TH C. M)	1		
16	257631307138	SUPPORT TOP(5TH/6TH C. M)	4		
17	257631307130	SUPPORT BOTTOM (FOR 5TH C. M)	2		
19	280931307102	SUPPORT BOTTOM (FOR 6TH C. M)	2		
20	280931200112	ASSY.CROSS MEMBER REAR SPRING(7TH C.M.)	1		
22	280931307101	BOTTOM SUPPORT (SPRING C.M. REAR FRONT)	2		
23	278232403304	REAR SPRING BRACKET FRONT	2		
35	257632403311	REAR SPRING BRACKET REAR	2		
24	257632403309	HELPER SPRING BRACKET	4		

CHASSIS TYPE: ALL



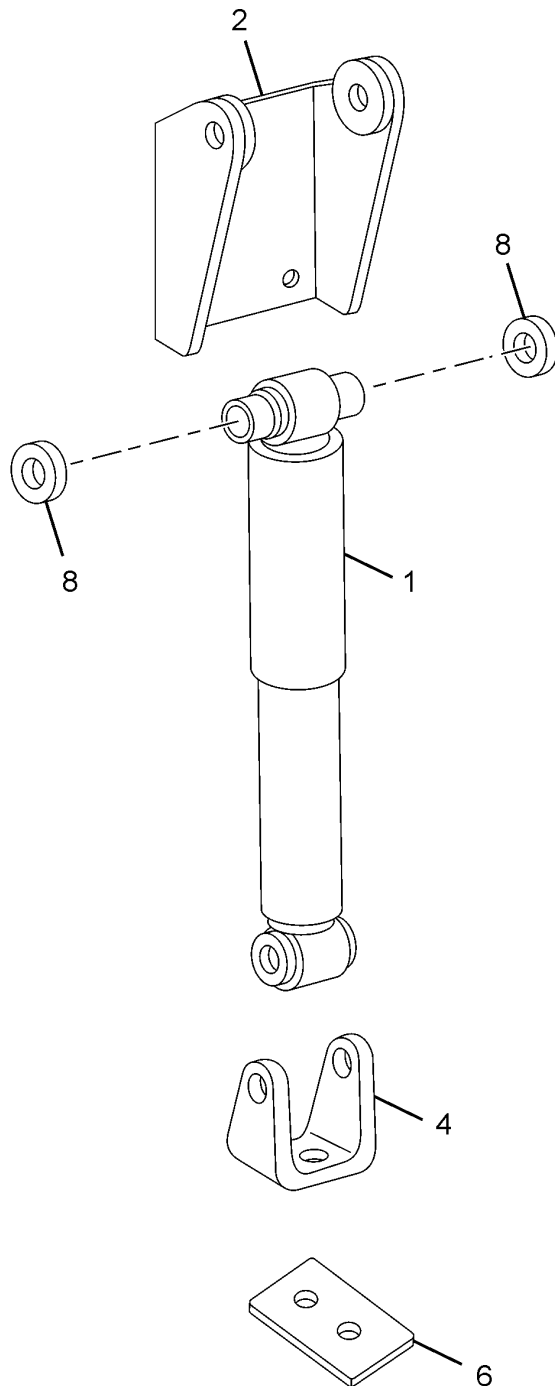
31.31.01		FRAME		GROUP 31	
CHASSIS TYPE: ALL					
FIG. NO.	PART NUMBER	DESCRIPTION	QTY	REMARKS	
25	280931200106	ASSY.CROSS MEMBER(SHOCK ABSORBER REAR)	1		
26	276831200114	ASSY.SPR.CROSS MEMBER W/T SUPP.(9TH C.M. RE.MTG.)	1		
27	280931200113	ASSY.END CROSS MEMBER (195 DEEP TAIL END)	1		
30	288431700125	ASSY. BRACKET RH(RUPD)	1		
30	288431700123	ASSY. BRACKET LH(RUPD)	1		
31	278231700122	ASSY. TUBE(RUPD)	1		
33	206731207178	SUPPORT(REAR SPRING CROSS MEMBERS)	2		
34	280931500101	TOW COUPLING	1		
	280931200127	ASSY.BRACKET(WEBASTO UNIT MTG.)	1		
	280931200128	ASSY.BRACKET(WEBASTO UNIT MTG.)	1		

CHASSIS TYPE: ALL



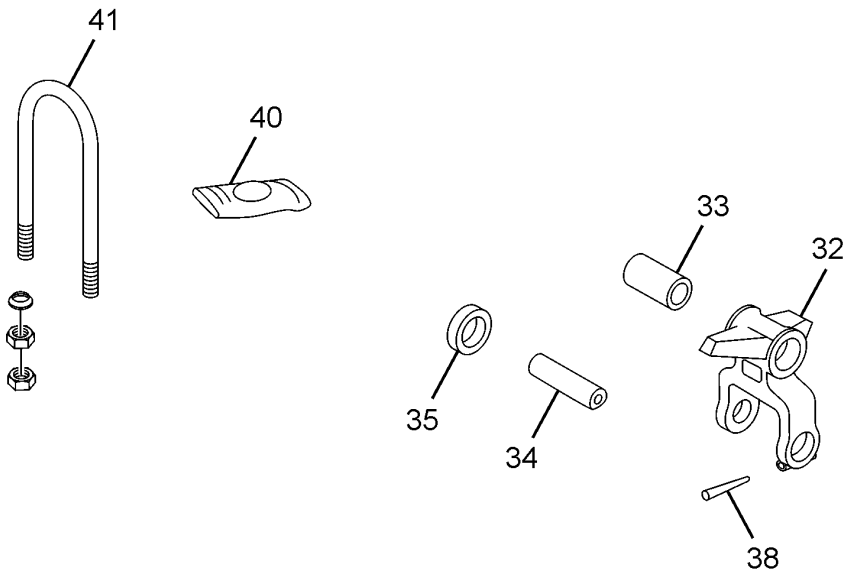
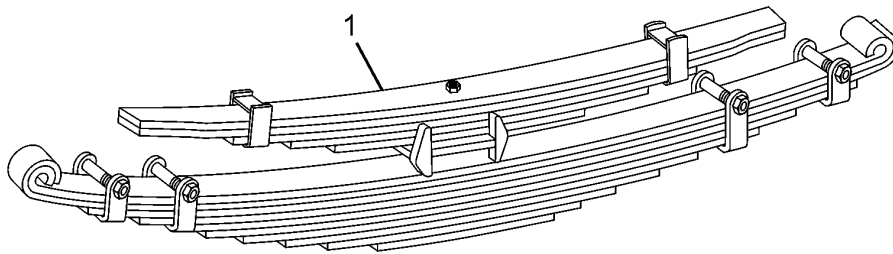
32.32.01		FRONT SPRING AND SUSPENSION		GROUP 32
CHASSIS TYPE: ALL				
FIG. NO.	PART NUMBER	DESCRIPTION	QTY	REMARKS
1	278232100135	ASSY. FRONT SPRING	2	
2	278232100134	ASSY. FIRST LEAF WITH BUSHES	2	
3	278232103403	SPRING BUSH(FRONT-BI-METALLIC)	4	
4	278232107157	SECOND LEAF	2	
25	257632100105	ASSY. SPRING SHACKLE FRONT	2	
26	278232103402	SPRING BUSH (BI - METALLIC)	2	
27	257632106702	SPRING PIN	6	
28	257332400119	ASSY. SEALING	8	
29	0429900037J	COTTER PIN	2	
37	257632203701	GUIDE PLATE	2	
38	257632207701	RUBBER BIFFER	2	
39	257532204207	U' CLAMP	2	
40	3423220084	CASTER PLATE	2	
41	257532204204	U' CLAMP	2	

CHASSIS TYPE: ALL



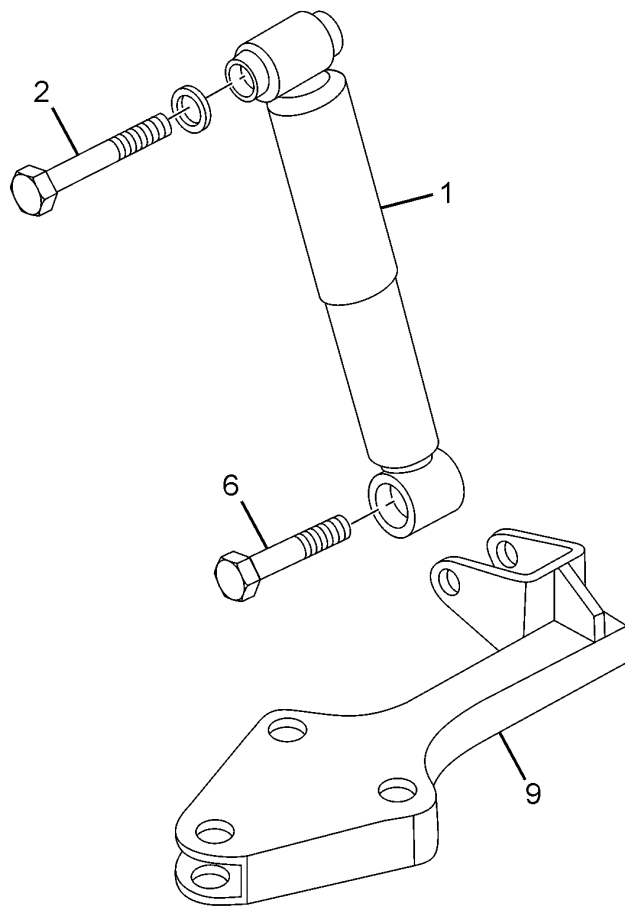
32.32.02		FRONT SHOCK ABSORBER		GROUP 32
CHASSIS TYPE: ALL				
FIG. NO.	PART NUMBER	DESCRIPTION	QTY	REMARKS
1	278232300103	ASSY. FRONT SHOCK ABSORBER	2	
2	278232300109	ASSY.BRACKET-RH (SHOCK ABSORBER UPPER)	1	
2	278232300108	ASSY.BRACKET LH (SHOCK ABSORBER UPPER)	1	
4	270032303302	BRACKET LOWER (FRONT SHOCK ABSORBER)	2	
6	257632308201	LOCKING SHEET	2	
8	278232308601	SPACER	4	
8	257332608601	SPACER	4	
	284132100105	ASSY. BRACKET - LH (AXLE STOPPER)	1	
	284132100104	ASSY. BRACKET - RH (AXLE STOPPER)	1	

CHASSIS TYPE: ALL



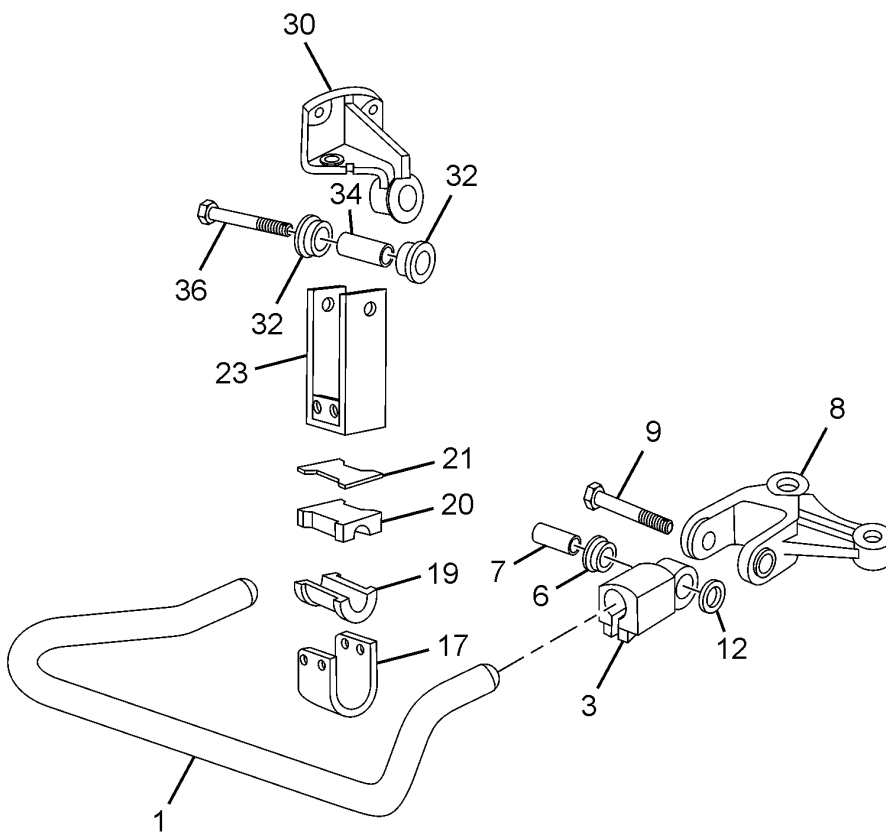
32.32.03		REAR SPRING AND SUSPENSION		GROUP 32
CHASSIS TYPE: ALL				
FIG. NO.	PART NUMBER	DESCRIPTION	QTY	REMARKS
1	284132400101	ASSY. REAR SPRING WITH AUXILIARY SPRING	2	
32	257632400107	ASSY. SPRING SHACKLE REAR	2	
33	278232403402	SPRING BUSH (BI - METALLIC)	2	
34	257632406701	SPRING PIN	6	
35	261832400101	ASSY. SEALING RING	12	
38	0429900037J	COTTER PIN	4	
40	278232503702	GUIDE PLATE REAR (CASTING)	2	
41	263232404217	U' CLAMP	4	

CHASSIS TYPE: ALL



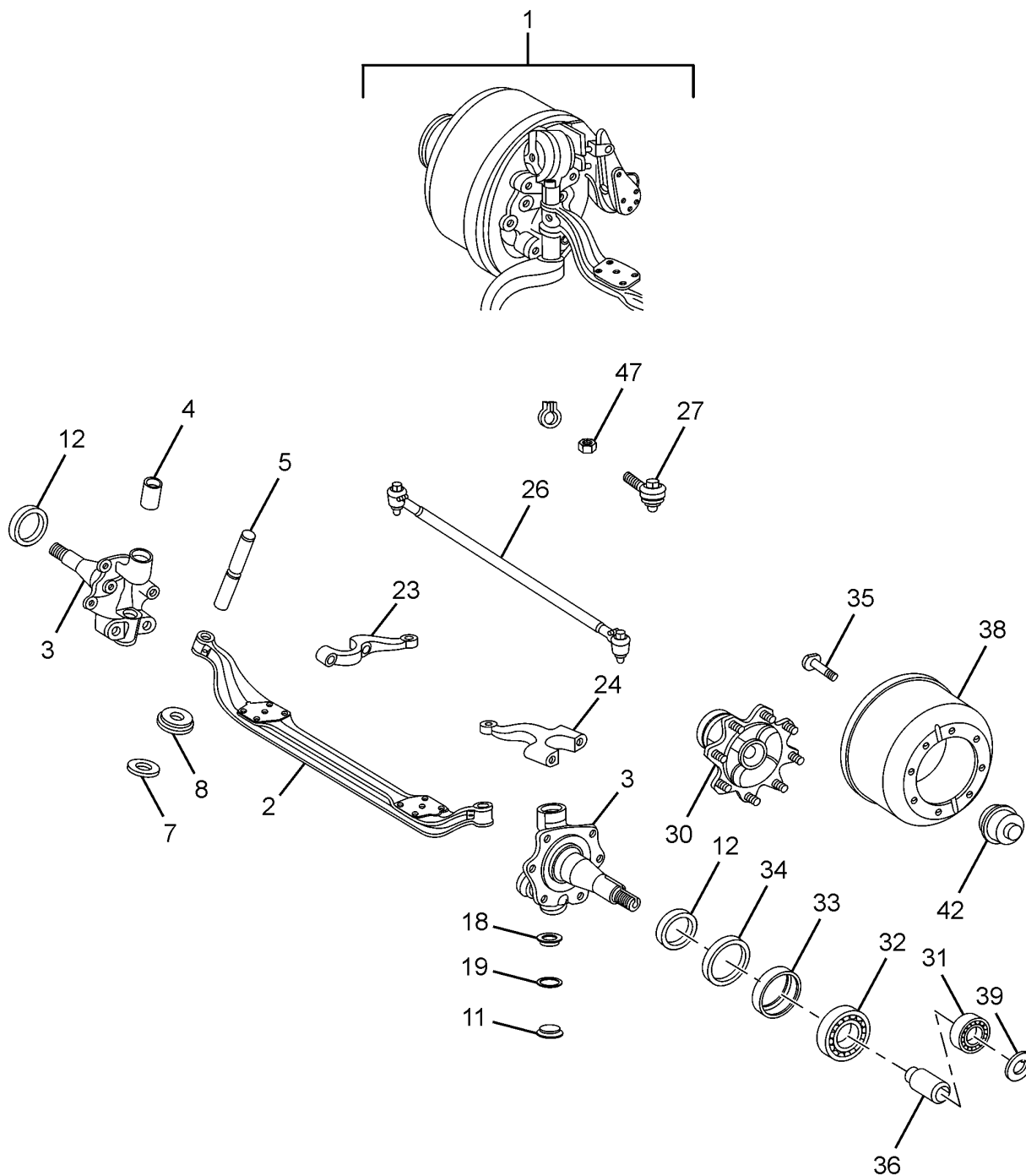
32.32.04		REAR SHOCK ABSORBER		GROUP 32
CHASSIS TYPE: ALL				
FIG. NO.	PART NUMBER	DESCRIPTION	QTY	REMARKS
1	280932600102	REAR SHOCK ABSORBER	2	
2	11063996191	HEX BOLT M20X1.5X140	2	
6	11063996205	HEX BOLT M20X1.5X90	2	
9	280932600105	ASSY. REAR SHOCK ABSORBER BRACKET LH BOTTOM	1	
9	280932600106	ASSY. REAR SHOCK ABSORBER BRACKET RH BOTTOM	1	

CHASSIS TYPE: ALL



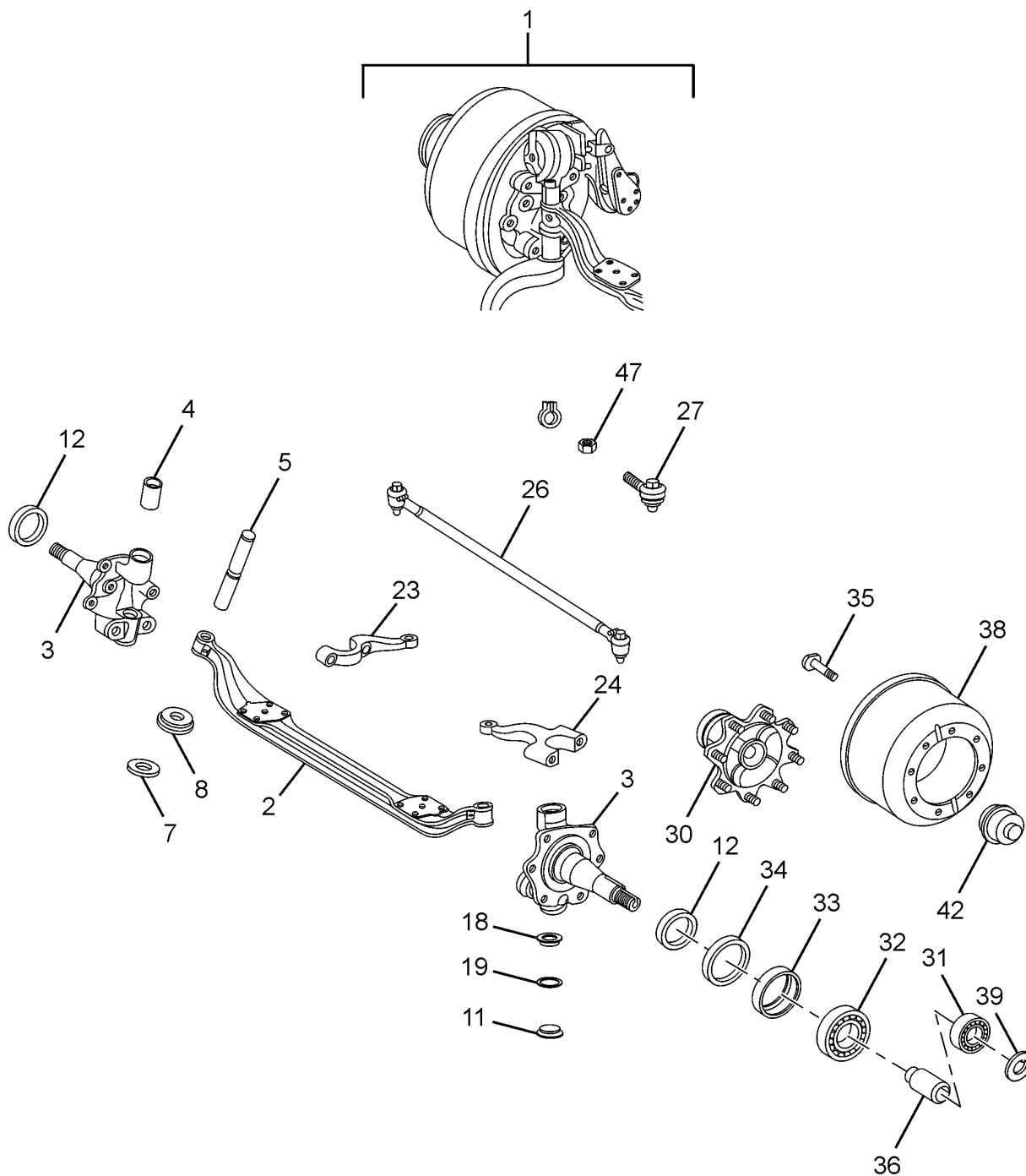
32.32.05		ANTI-ROLL BAR		GROUP 32
CHASSIS TYPE: ALL				
FIG. NO.	PART NUMBER	DESCRIPTION	QTY	REMARKS
1	257632800131	SUB ASSY. ANTI ROLL BAR FRONT	1	
3	257632805104	EYE PIECE	2	
6	257632807502	RUBBER BUSH	4	
7	257632808402	SLEEVE	2	
8	257632803311	BRACKET RH	1	
8	257632803312	BRACKET LH	1	
9	264032906702	MOUNTING PIN	2	
12	257632808306	SHIM	AR	
12	257632808307	SHIM	AR	
12	257632808308	SHIM	AR	
17	257632807103	CLAMP	2	
19	257632803402	BUSH HALF (BOTTOM)	2	
20	257632803402	BUSH HALF (TOP)	2	
21	257632808302	SHIM	AR	
21	257632808303	SHIM	AR	
21	257632808304	SHIM	AR	
23	280932800104	ASSY. CONNECTING LINK	2	
30	257632803307	BRACKET	2	
32	257632807501	RUBBER BUSH	4	
34	257632808401	SLEEVE	2	
36	257632806703	MOUNTING PIN	2	

CHASSIS TYPE: ALL



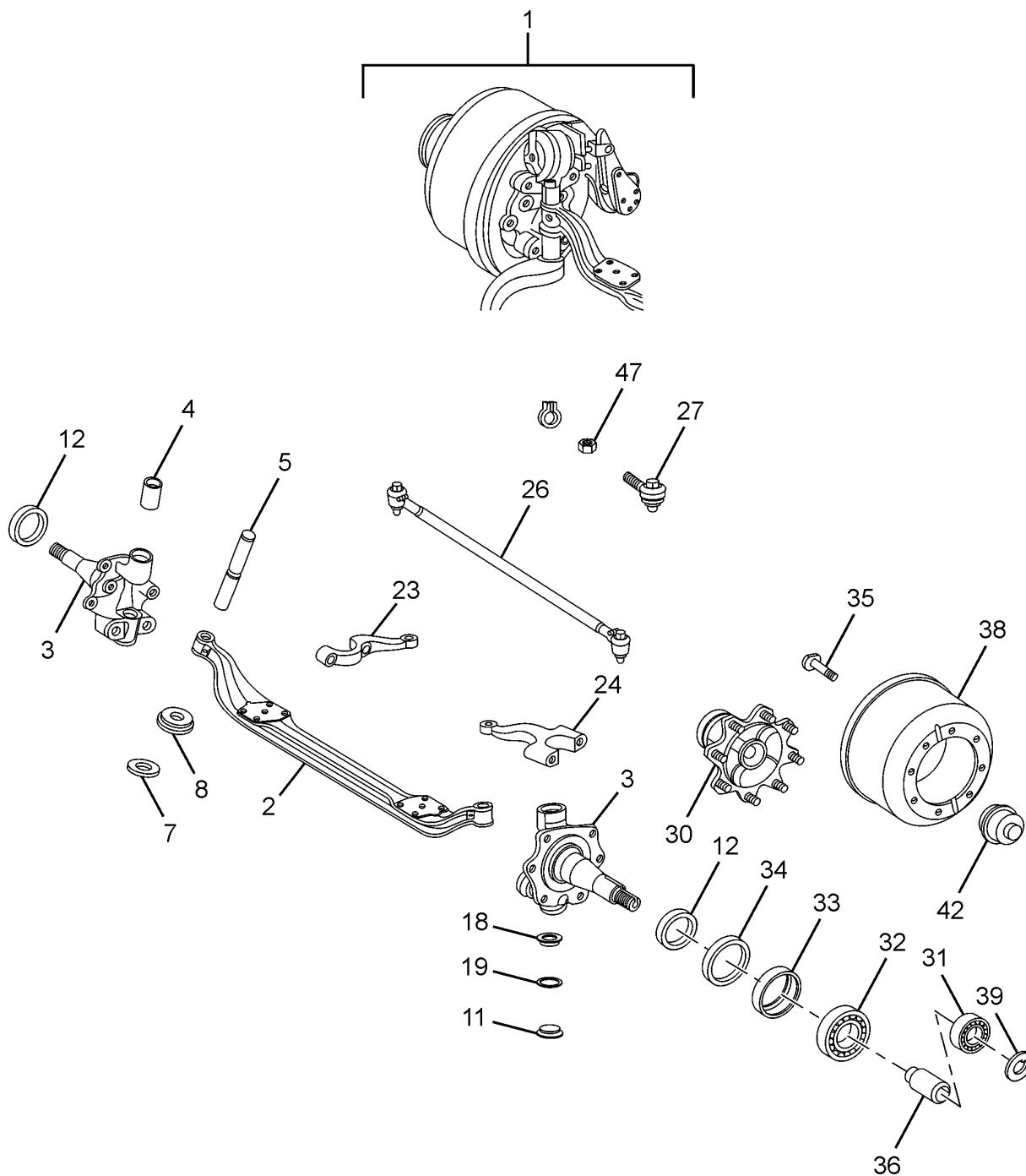
33.33.01		FRONT AXLE		GROUP 33	
CHASSIS TYPE: ALL					
FIG. NO.	PART NUMBER	DESCRIPTION	QTY	REMARKS	
1	280933000104	ASSY FRONT AXLE WITH BRAKES (WABCO+SCL)	1		
2	257633105110	FRONT AXLE BEAM STD	1		
3	263233200105	ASSY.STUB AXLE(ABS)-RH,NORMAL	1		
3	263233200107	ASSY.STUB AXLE(ABS)-LH,NORMAL	1		
4	257533203401	BUSH (FOR KING PIN)	4		
5	257633206709	KING PIN STD.	2		
—	257633206707	COTTER PIN (KING PIN TO STUB AXLE)	2		
7	257533209203	THRUST WASHER UPPER STD	1		
7	257533209207	THRUST WASHER LOWER STD	1		
8	257633203110	TAPERED ROLLER THRUST BEARING STD	1		
11	257533206301	DUST CAP (STUB AXLE)	2		
12	257633208601	SPACER	2		
—	257633209212	THRUST WASHER	AR	FOR SELECTION	
—	257633209213	THRUST WASHER	AR	FOR SELECTION	
—	257633209214	THRUST WASHER	AR	FOR SELECTION	
—	257633209215	THRUST WASHER	AR	FOR SELECTION	
—	257633209216	THRUST WASHER	AR	FOR SELECTION	
—	257633209217	THRUST WASHER	AR	FOR SELECTION	
—	257633209218	THRUST WASHER	AR	FOR SELECTION	
—	257633209219	THRUST WASHER	AR	FOR SELECTION	
—	257633209220	THRUST WASHER	AR	FOR SELECTION	
—	257633209221	THRUST WASHER	AR	FOR SELECTION	
—	257633209222	THRUST WASHER	AR	FOR SELECTION	
18	257633208202	SEALING CAP (STUB AXLE)	4		
19	257633207702	GASKET RING	4		
23	257633805108	STEERING ARM TOP	1		
24	257633805104	STEERING ARM LH	1		
24	257633805106	STEERING ARM RH	1		
26	275433800101	ASSY. TIE ROD	1		
27	0003382629	ASSY. BALL JOINT LH	1		
27	0003383429	ASSY. BALL JOINT RH	1		
30	283933400105	ASSY.WHEEL HUB WITH POLE WHEEL.	2		
30	283933405101	WHEEL HUB FRONT	2		
31	257633403103	TAPER ROLLER BEARING, OUTER	2		
32	257633403101	TAPER ROLLER BEARING, INNER	2		
33	257633408601	SPACER	2		
34	257633407801	SEALING RING	2		

CHASSIS TYPE: ALL



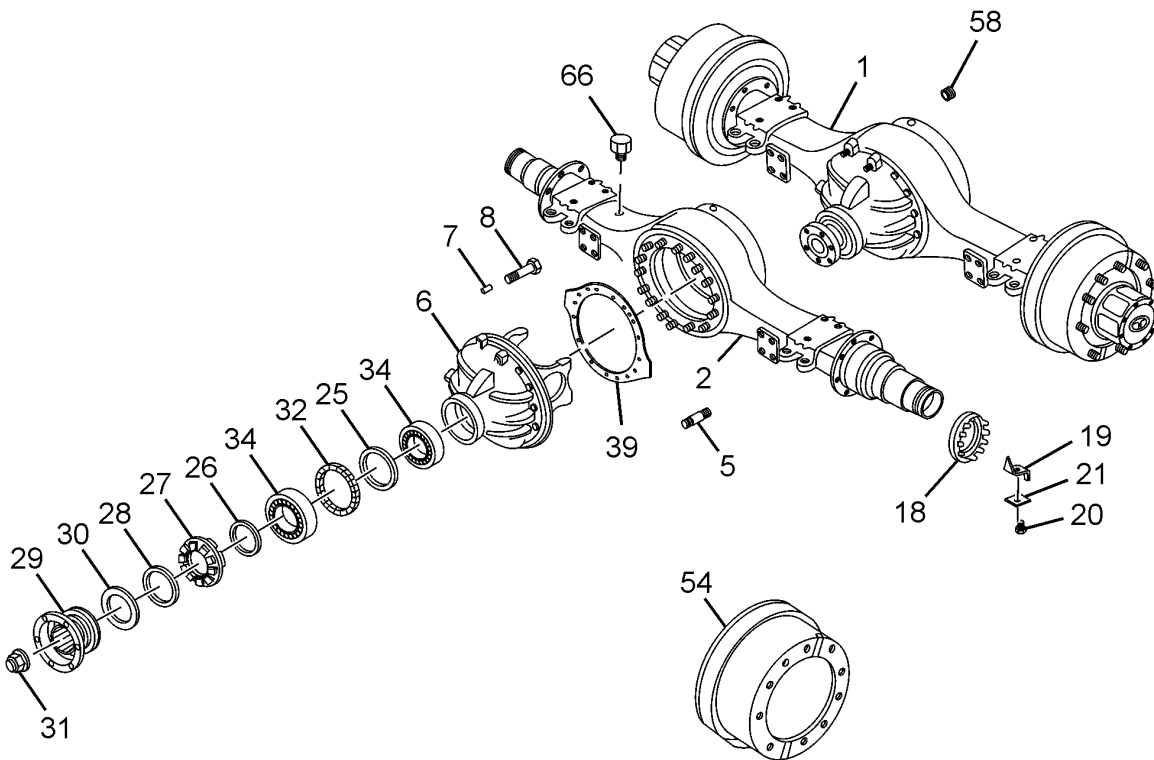
33.33.01		FRONT AXLE		GROUP 33	
CHASSIS TYPE: ALL					
FIG. NO.	PART NUMBER	DESCRIPTION	QTY	REMARKS	
35	263140106701	HUB BOLT (M22)	20		
36	257333408602	SPACER TUBE	2		
—	257433408304	SHIM 1 THK	AR	FOR SELECTION	
—	257433408305	SHIM 0.5 THK	AR	FOR SELECTION	
—	257433408306	SHIM 0.3 THK	AR	FOR SELECTION	
—	257433408307	SHIM 0.1 THK	AR	FOR SELECTION	
38	263142103701	BRAKE DRUM	2		
39	257533409201	THRUST WASHER	2		
42	257333403703	FRONT HUB COVER	2		
47	12102299068	CASTLE NUT	2		
		ABS PARTS			
	280842103401	SENSOR SLEEVE - FRONT	2		
	284142109901	POLE WHEEL FRONT (MACHINED)	2		
	263242103402	SENSOR BUSH(WABCO)-FOR ABS	2		
	280854209908	SENSOR WHEEL SPEED M/s.WABCO	2		
		KING PIN REPAIR KITS			
	885433161612	KING PIN REPAIR KIT WITH MINOR KIT & BUSH STD (38.25MM) CONSISTING OF :	1		
		KING PIN STD	2		
		KING PIN BUSH	4		
	885433011612	KING PIN REPAIR KIT WITH MINOR KIT & BUSH O/S I (38.35MM) CONSISTING OF :	1		
		KING PIN O/S I	2		
		KING PIN BUSH	4		
		MINOR KIT	1		
	885433021612	KING PIN REPAIR KIT WITH MINOR KIT & BUSH O/S II (38.45MM) CONSISTING OF :	1		
		KING PIN O/S II	2		
		KING PIN BUSH	4		
		MINOR KIT	1		
	885433031612	KING PIN REPAIR KIT WITH MINOR KIT & BUSH O/S III (38.55MM) CONSISTING OF :	1		
		KING PIN O/S III	2		
		KING PIN BUSH	4		
		MINOR KIT	1		
	885433041612	KING PIN REPAIR KIT WITH MINOR KIT & W/OBUSH STD (38.25MM) CONSISTING OF :	1		
		KING PIN STD	1		
		MINOR KIT	1		
	885433051612	KING PIN REPAIR KIT WITH MINOR KIT&W/O BUSH O/S I (38.35MM) CONSISTING OF :	1		
		KING PIN O/S I	1		

CHASSIS TYPE: ALL



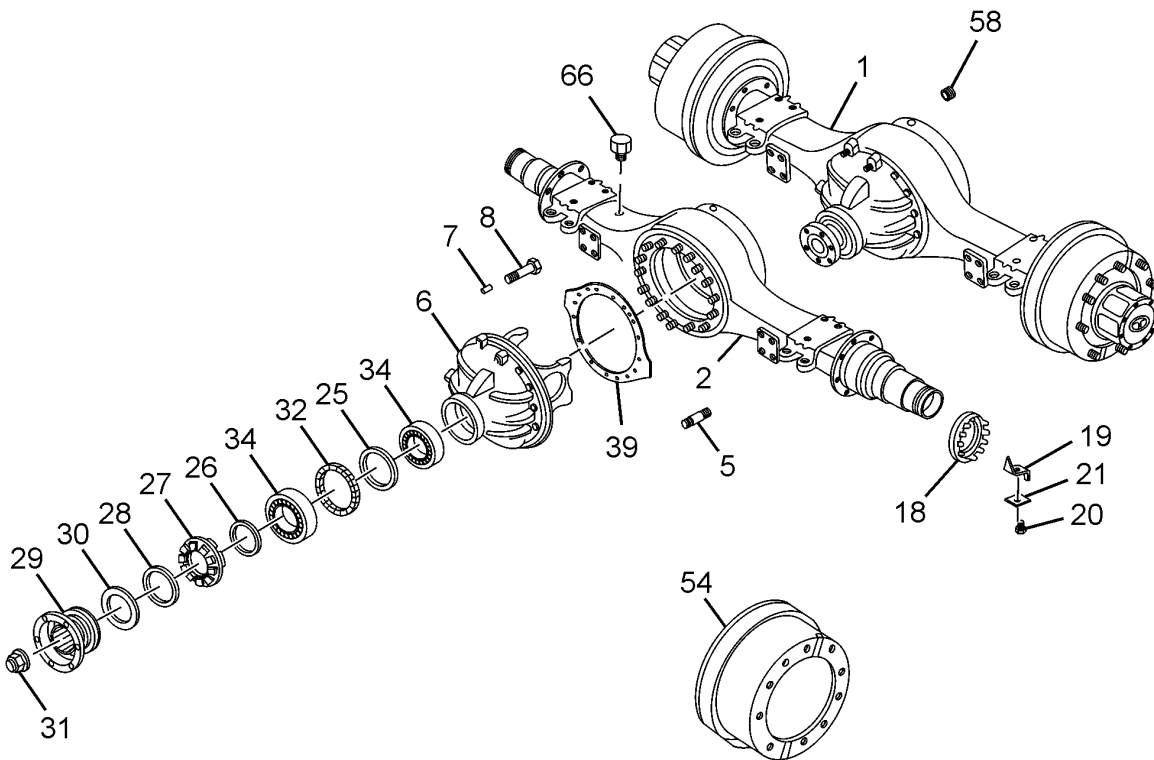
33.33.01		FRONT AXLE		GROUP 33
CHASSIS TYPE: ALL				
FIG. NO.	PART NUMBER	DESCRIPTION	QTY	REMARKS
	885433061612	MINOR KIT	1	
		KING PIN REPAIR KIT WITH MINOR KIT&W/OBUSH O/S II (38.45MM)	1	
		CONSISTING OF :		
		KING PIN O/S II	1	
		MINOR KIT	1	
	885433071612	KING PIN REPAIR KIT WITH MINOR KIT&W/O BUSH O/S III(38.55MM)	1	
		CONSISTING OF :		
		KING PIN O/S III	1	
		MINOR KIT	1	
	885433081612	MINOR KIT CONSISTING OF :	1	
		COTTER BOLT	2	
		O' RING	4	
		CIRCLIP B-50	4	
		SEALING CAP	4	
		HEX NUT M 8	2	
		SPRING WASHER	2	
		GREASE NIPPLE	4	

CHASSIS TYPE: ALL



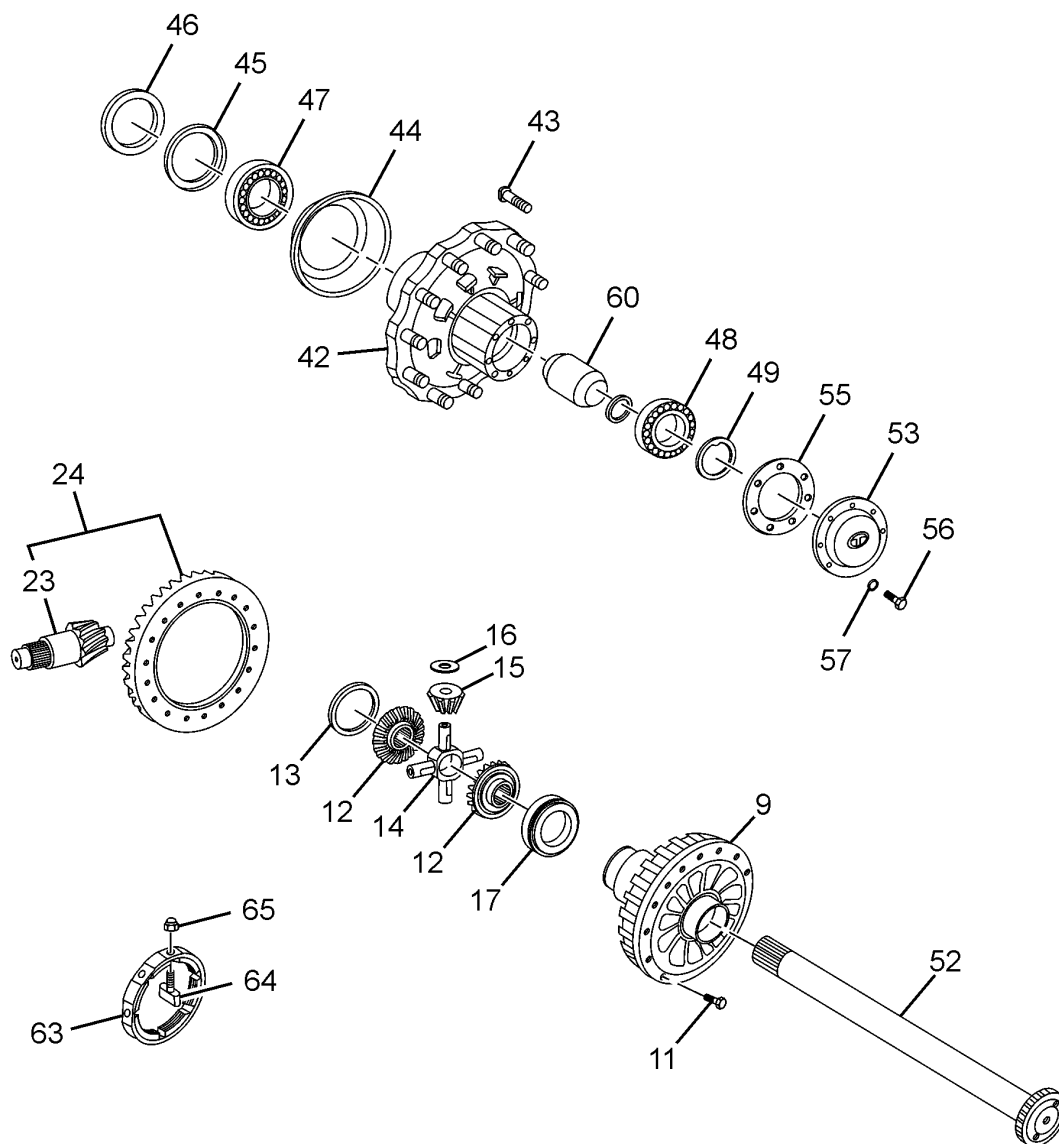
35.35.01		REAR AXLE RA 109 RR		GROUP 35	
CHASSIS TYPE: ALL					
FIG. NO.	PART NUMBER	DESCRIPTION	QTY	REMARKS	
1	273235000320	RA-109RR,41/7,1044,150 SER,ASA,ABS-WABCO	1		
2	273235100201	ASSY.RA BEAM W/PR.RING,STUD & DOWEL-ABS	1		
—	266835108601	PRESSURE RING	2		
5	11632609401	STUD BM 12X40	12		
—	11632609649	STUD BM 12X80	2		
6	273235110107	ASSY. CARRIER HOUSING	1		
7	13050909209	CYLINDRICAL PIN 10 H 8X20	4		
8	273235113201	BOLT (PLUMMER BLOCK COVER)	4		
18	257635306501	THREADED RING	2		
19	257635308201	LOCKING PLATE (TO THREADED RING)	2		
20	11323996191	SCREW M 8X12	2		
21	3129941201	LOCKING PLATE	2		
34	257635303102	TAPER ROLLER BEARING (PINION)	2		
25	257635308601	SPACER (BETWEEN PINION BRG.)	1		
26	273235308601	SPACER (BETWEEN PINION BRG. & FLANGE)	1		
27	257635306503	THREADED RING	1		
28	257335307705	OIL SEAL DOUBLE LIP	1		
29	273235300214	ASSY.COUPLING FLANGE-150 OD,SERRATED	1		
30	273235308201	DUST COVER (PRESS TYPE)	1		
—	273235307701	DUST SEAL	1		
31	3273530172	HEX. NUT (FORGED)	1		
32	257635308604	SPACER RING 7.74 MM THICK	1	FOR SELECTION	
32	257635308605	SPACER RING 7.72 MM THICK	1	FOR SELECTION	
32	257635308606	SPACER RING 7.70 MM THICK	1	FOR SELECTION	
32	257635308607	SPACER RING 7.68 MM THICK	1	FOR SELECTION	
32	257635308608	SPACER RING 7.66 MM THICK	1	FOR SELECTION	
32	257635308609	SPACER RING 7.64 MM THICK	1	FOR SELECTION	
32	257635308610	SPACER RING 7.62 MM THICK	1	FOR SELECTION	
32	257635308611	SPACER RING 7.60 MM THICK	1	FOR SELECTION	
32	257635308612	SPACER RING 7.58 MM THICK	1	FOR SELECTION	
32	257635308613	SPACER RING 7.56 MM THICK	1	FOR SELECTION	
32	257635308614	SPACER RING 7.54 MM THICK	1	FOR SELECTION	
32	257635308615	SPACER RING 7.52 MM THICK	1	FOR SELECTION	
32	257635308616	SPACER RING 7.50 MM THICK	1	FOR SELECTION	
32	257635308617	SPACER RING 7.48 MM THICK	1	FOR SELECTION	
32	257635308618	SPACER RING 7.46 MM THICK	1	FOR SELECTION	

CHASSIS TYPE: ALL



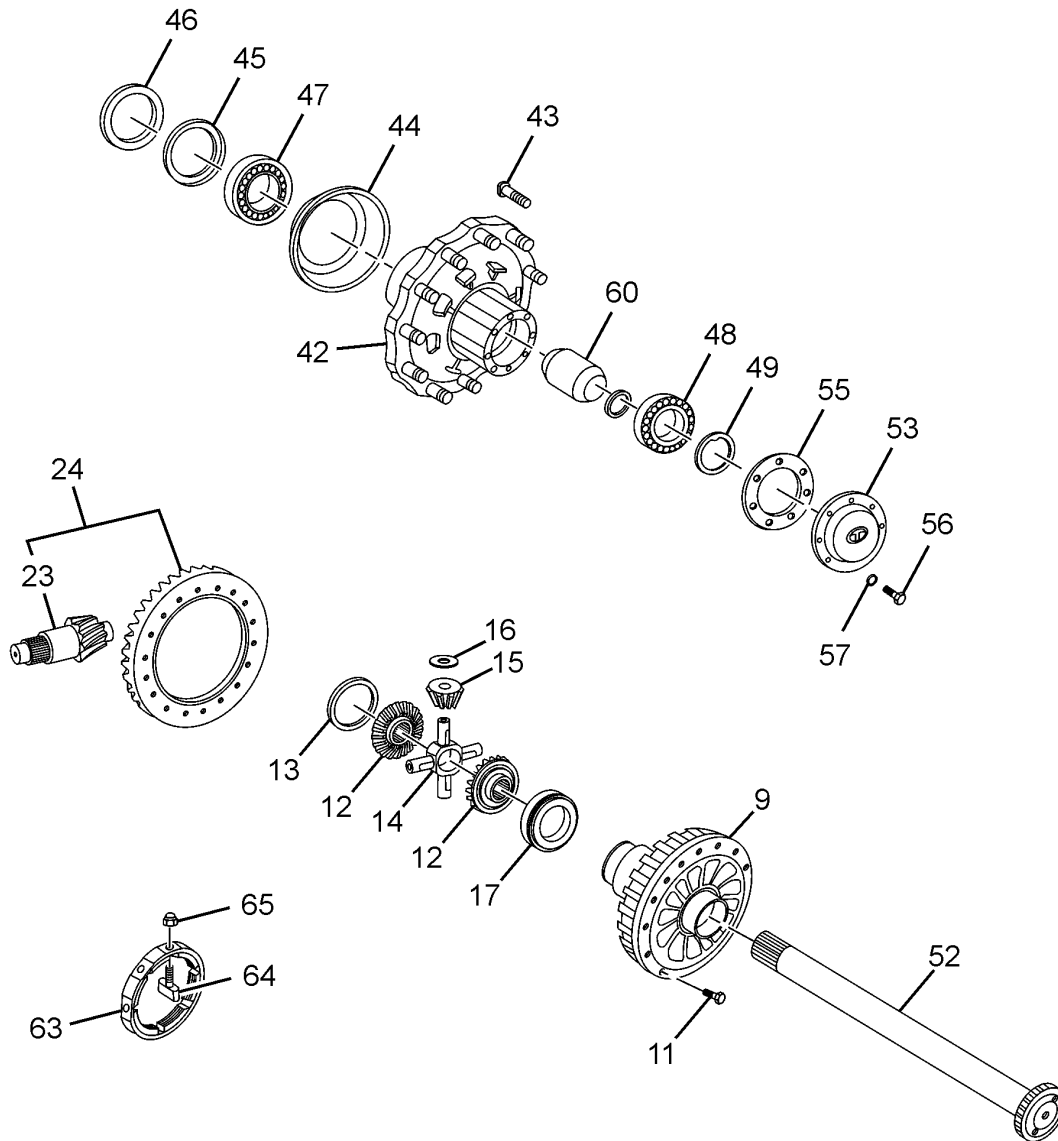
35.35.01		REAR AXLE RA 109 RR		GROUP 35	
CHASSIS TYPE: ALL					
FIG. NO.	PART NUMBER	DESCRIPTION	QTY	REMARKS	
32	257635308619	SPACER RING 7.44 MM THICK	1	FOR SELECTION	
32	257635308620	SPACER RING 7.42 MM THICK	1	FOR SELECTION	
32	257635308621	SPACER RING 7.40 MM THICK	1	FOR SELECTION	
32	257635308622	SPACER RING 7.38 MM THICK	1	FOR SELECTION	
32	257635308623	SPACER RING 7.76 MM THICK	1	FOR SELECTION	
—	257635308302	SHIM 0.15 MM THICK	AR	FOR SELECTION	
—	257635308303	SHIM 0.20 MM THICK	AR	FOR SELECTION	
—	257635308304	SHIM 0.25 MM THICK	AR	FOR SELECTION	
—	257635308305	SHIM 0.30 MM THICK	AR	FOR SELECTION	
—	257635308306	SHIM 0.50 MM THICK	AR	FOR SELECTION	
—	257635308307	SHIM 1.00 MM THICK	AR	FOR SELECTION	
—	257635308308	SHIM 0.10 MM THICK	AR	FOR SELECTION	
34	257635303104	CYLINDRICAL ROLLER BEARING	2		
—	257635309902	LOCKING WIRE (INNER RACE)	1		
—	257635309903	LOCKING WIRE (OUTER RACE)	1		
—	257635308201	LOCKING PLATE	1		
39	257635115302	GASKET (CARRIER)	1		
54	263142103701	BRAKE DRUM (SPIGOTTED)	2		
58	266335107201	MAGNETIC DRAIN PLUG	1		
66	266835150102	ASSY. PRESSURE RELIEF VALVE	1		

CHASSIS TYPE: ALL



35.35.02		REAR AXLE		GROUP 35	
CHASSIS TYPE: ALL					
FIG. NO.	PART NUMBER	DESCRIPTION	QTY	REMARKS	
9	273235300183	DIFFERENTIAL HOUSING	1		
—	273235308002	HEX. BOLT SERRATED (DIFF. CASE TO COVER)	16		
11	273235308003	HEX. BOLT SERRATED (CROWN WHEEL)	18		
12	273235305442	GEAR, REAR AXLE SHAFT (9X14)	2		
13	273235309210	THRUST WASHER- 1.95 THK.	2	FOR SELECTION	
13	273235309211	THRUST WASHER- 2.00 THK.	2	FOR SELECTION	
13	273235309212	THRUST WASHER-2.05 THK.	2	FOR SELECTION	
13	273235309213	THRUST WASHER-2.10 THK.	2	FOR SELECTION	
13	273235309214	THRUST WASHER-2.15 THK.	2	FOR SELECTION	
13	273235309215	THRUST WASHER-2.2 THK.	2	FOR SELECTION	
13	273235309216	THRUST WASHER- 2.25 THK.	2	FOR SELECTION	
14	273235305113	SPIDER (DIFFERENTIAL) (LOCKABLE)	1		
15	273235305443	BEVEL PINION (9X14)	4		
16	273235309217	SPHERICAL WASHER (LOCKABLE)	4		
17	266935303101	TAPER ROLLER BEARING (DIFF.)	2		
23	273235305420	PINION (41/7)	1		
24	273235300131	CROWN WHEEL AND PINION (41/7)	1		
42	273235600103	ASSY. HUB (REAR) W/O BEARINGS AND OIL SEAL	2		
43	263140206701	HUB BOLT, REAR	20		
44	273235608201	OIL CATCHER (ABS)	2		
45	266835608601	SPACER RING (HUB OUTER SEAL)	2		
46	266835607701	OIL SEAL (INNER)	2		
47	266835603101	TAPER ROLLER BEARING (INNER)	2		
48	266835603102	TAPER ROLLER BEARING (OUTER) (85X150X38)	2		
—	266835607702	OIL SEAL (OUTER)	2		
60	266835608603	SPACER TUBE (BETWEEN HUB BRGS)	2		
-	265135308303	SHIM 0.10 MM THICK	AR	FOR SELECTION	
-	265135308304	SHIM 0.15 MM THICK	AR	FOR SELECTION	
-	265135308305	SHIM 0.20 MM THICK	AR	FOR SELECTION	
-	265135308306	SHIM 0.25 MM THICK	AR	FOR SELECTION	
-	265135308307	SHIM 0.50 MM THICK	AR	FOR SELECTION	
-	265135308308	SHIM 1.50 MM THICK	AR	FOR SELECTION	
-	265135308309	SHIM 0.30 MM THICK	AR	FOR SELECTION	
-	265135308310	SHIM 0.45 MM THICK	AR	FOR SELECTION	
-	265135308311	SHIM 1.00 MM THICK	AR	FOR SELECTION	

CHASSIS TYPE: ALL



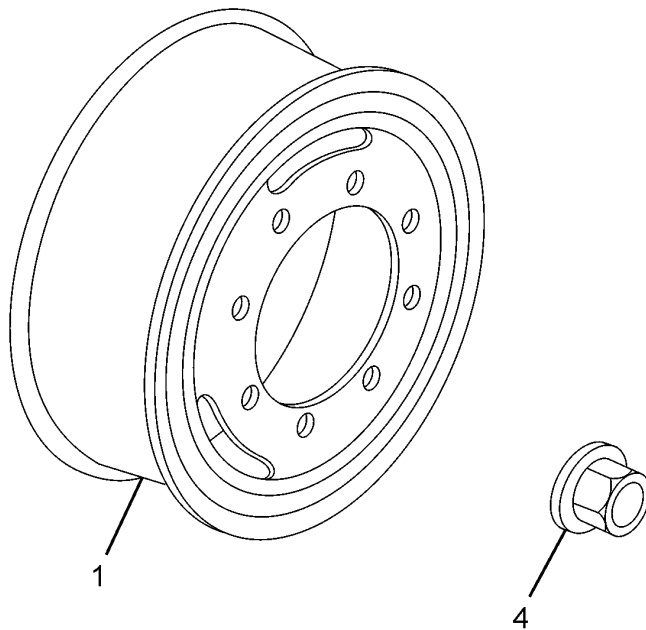
35.35.02		REAR AXLE		GROUP 35	
CHASSIS TYPE: ALL					
FIG. NO.	PART NUMBER	DESCRIPTION	QTY	REMARKS	
52	266835707901	REAR AXLE SHAFT (53 MM DIA.)	1		
53	266835604701	COVER, REAR HUB	2		
	263142103701	BRAKE DRUM (SPIGOTTED) (RA 109 RR)	2		
55	266835605301	GASKET (HUB)	2		
56	11323999114	HEX SCREW M8 X 18	16		
57	12520698025	SPRING WASHER B8	16		
49	266835608602	SPACER	2		
—	266835608604	TONGUE SPACER (HUB OUTER BEARING)	2		
63	266835606501	HUB LOCK NUT	2		
64	266835608001	PIN (HUB LOCK NUT)	2		
65	12140500800	NYLOC NUT M 8 (HUB LOCK NUT)	2		
—	278242303701	BRAKE CHAMBER MOUNTING BRACKET LH	1		
—	278242303702	BRAKE CHAMBER MOUNTING BRACKET RH	1		

40.40.01

WHEEL DISC

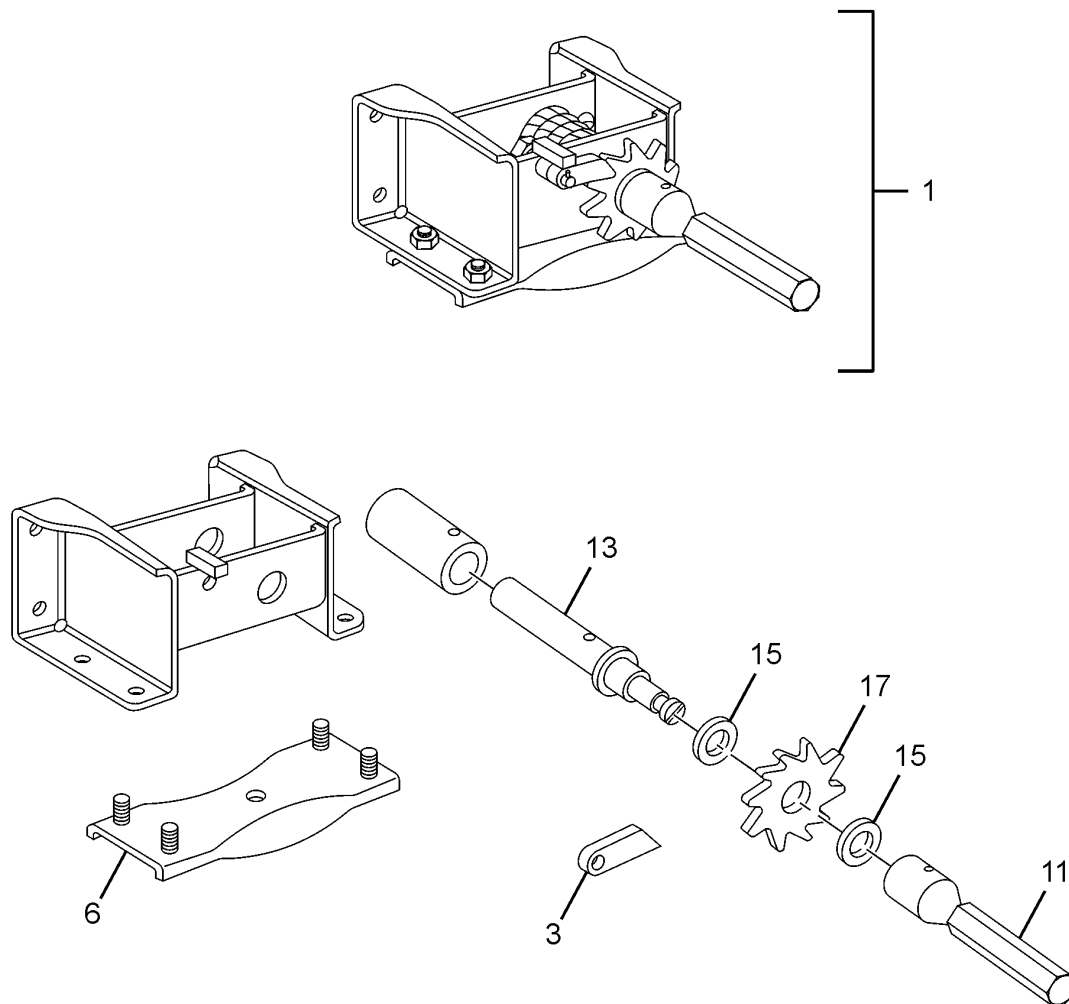
GROUP 40

CHASSIS TYPE: ALL



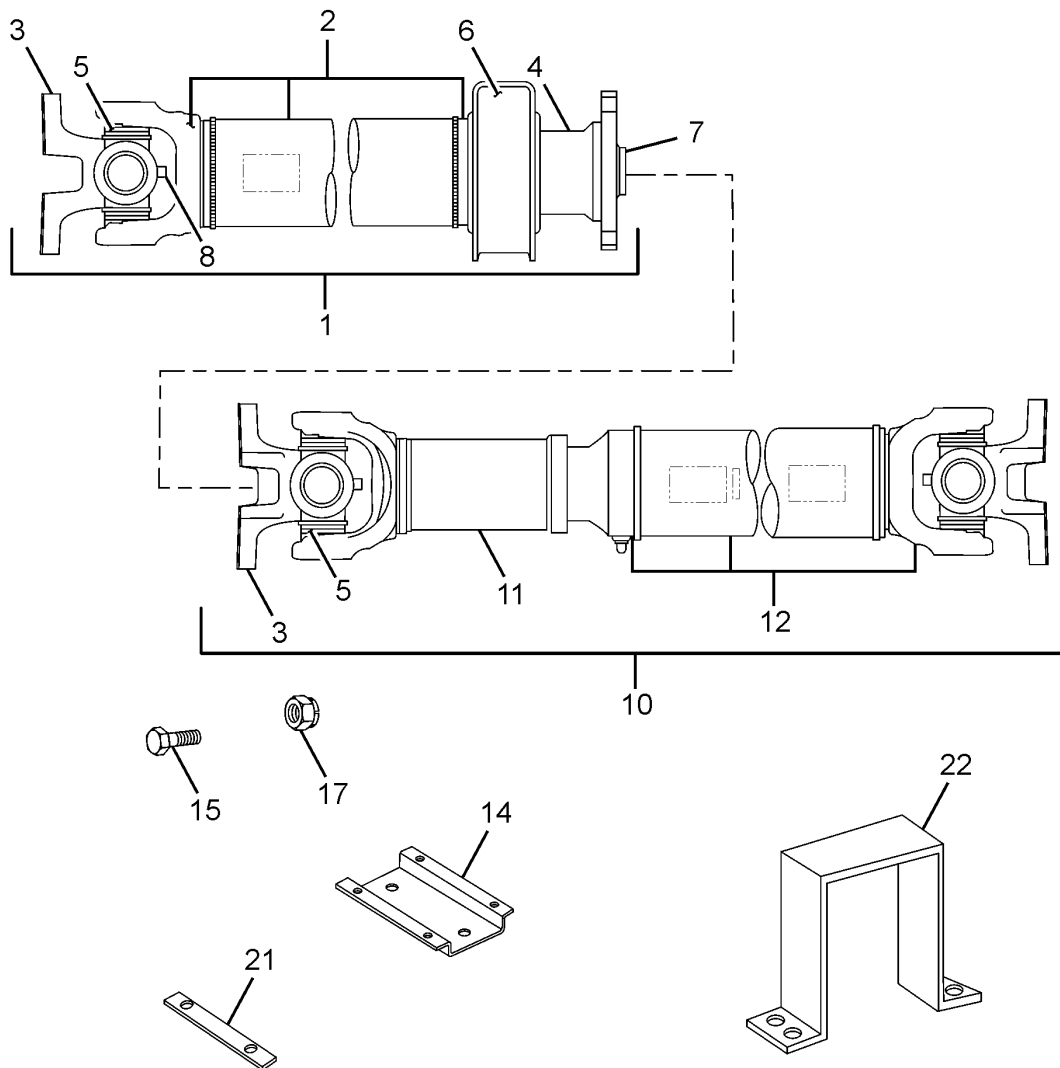
40.40.01		WHEEL DISC		GROUP 40	
CHASSIS TYPE: ALL					
FIG. NO.	PART NUMBER	DESCRIPTION	QTY	REMARKS	
1	280940100103	ASSY WHEEL RIM & VALVE(8.25X22.5)	7		
4	263140100107	ASSY. WHEEL NUT M22 X 30	40		

CHASSIS TYPE: ALL



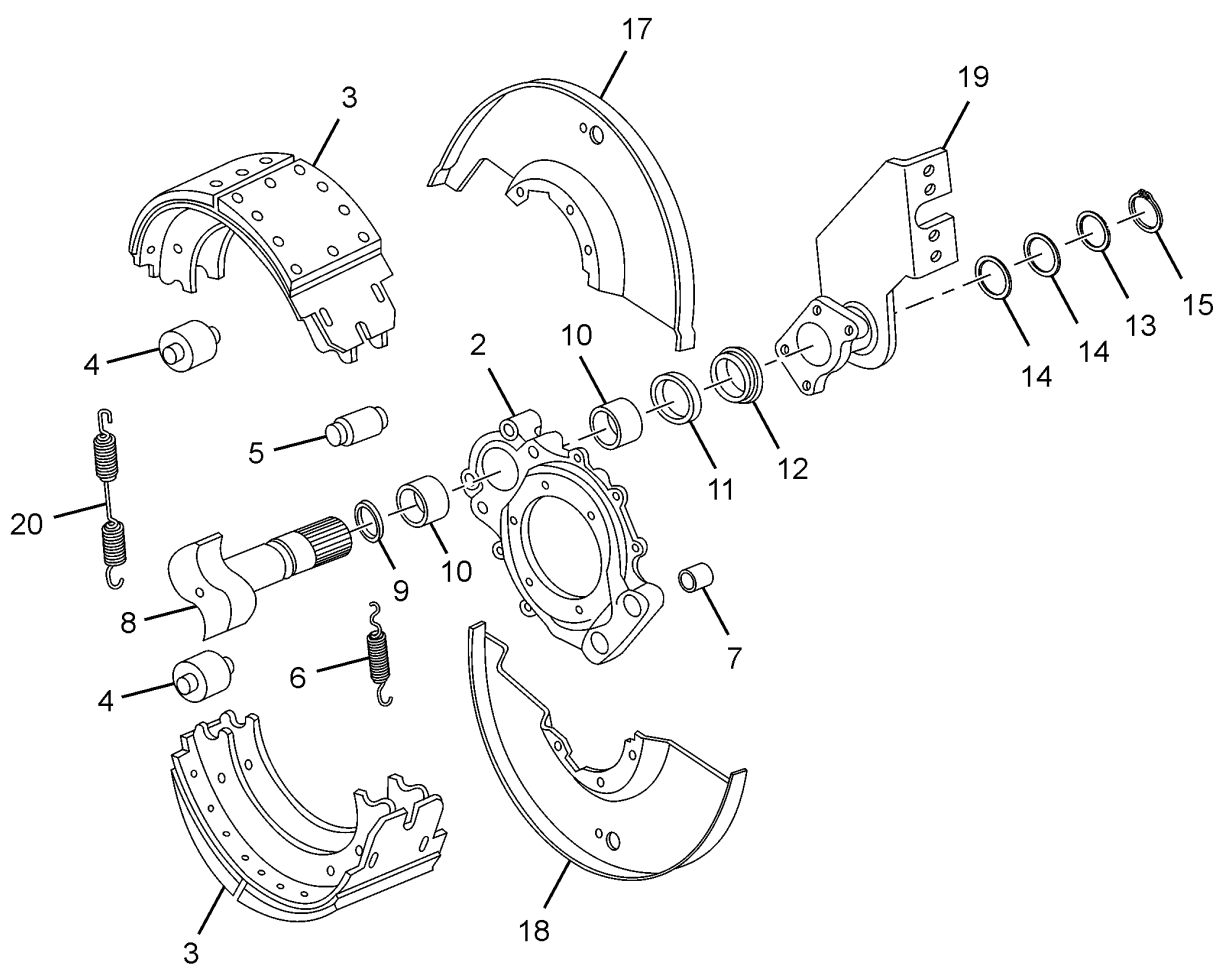
40.40.02		SPARE WHEEL CARRIER		GROUP 40
CHASSIS TYPE: ALL				
FIG. NO.	PART NUMBER	DESCRIPTION	QTY	REMARKS
1	257640300111	ASSY. SPARE WHEEL CARRIER	1	
3	257640307109	RATCHET ARM	1	
6	257640300109	ASSY. HOLDING BRACKET	1	
11	257340300113	ASSY. HANDLE	1	
13	257340300111	ASSY. SHAFT	1	
15	257340306301	FRICION PAD	2	
17	257640307108	RATCHET WHEEL	1	

CHASSIS TYPE: ALL



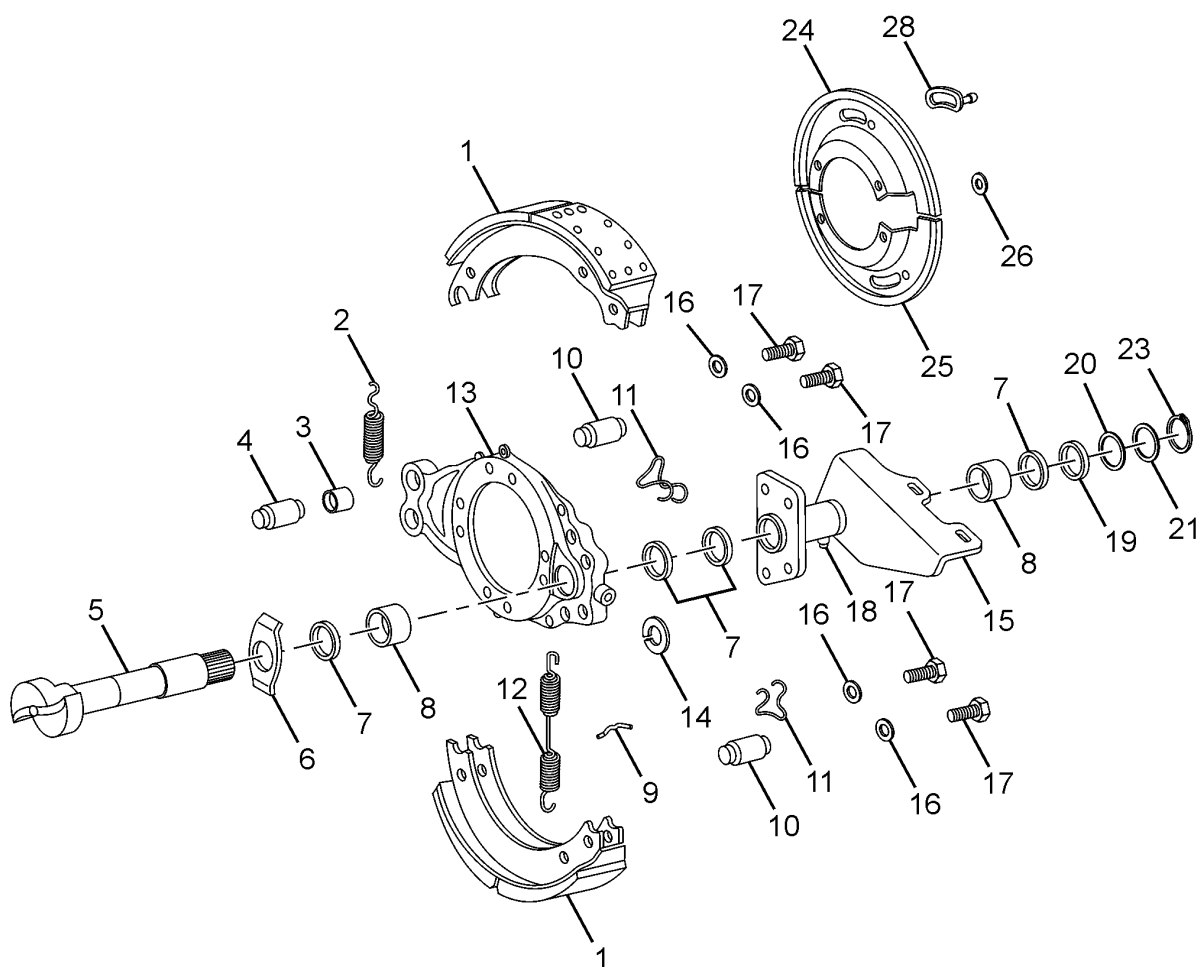
41.41.01		PROPELLER SHAFT		GROUP 41	
CHASSIS TYPE: ALL					
FIG. NO.	PART NUMBER	DESCRIPTION	QTY	REMARKS	
1	280941100114	ASSY.PROP.SHAFT.FRONT (M/S RSB)	2		
2	280941100119	FRONT TUBE ASSY WITH SHORT FORK & END PIECE	1		
3	280941103702	FLANGE YOKE	1		
4	280941100121	CENTER BEARING COUPLING FLANGE	1		
5	280941400101	U J CROSS	1		
6	280941100120	CENTER BEARING ASSY	1		
7	280941109904	NUT	1		
8	280941109902	GREASE NIPPLE	1		
10	280941120108	ASSY.PROP.SHAFT-REAR (M/S.RSB)	1		
3	280941103702	FLANGE YOKE	2		
5	280941400101	U J CROSS	2		
11	280941120115	LONG FORK SUB ASSY	1		
12	280941120114	REAR HOUSING, TUBE AND SHORT FORK SUB ASSY	1		
	280941303306	SPACER BRACKET (FOR CENTER BEARING)	1		
14	280941303307	SPACER BRACKET (FOR CENTER BEARING)	1		
15	11064196067	HEXBOLT M12X1.5X45	16		
	11323996107	HEX SCREW M12X35	8		
17	12140501202	NYLOC NUT M12	8		
	12140801206	NYLOC NUT M12X1.5	8		
	257641108002	SCREW	4		
21	257641307101	SPACER PLATE	4		
22	280941100113	ASSY.GUARD(PROPELLER SHAFT REAR)	1		

CHASSIS TYPE: ALL



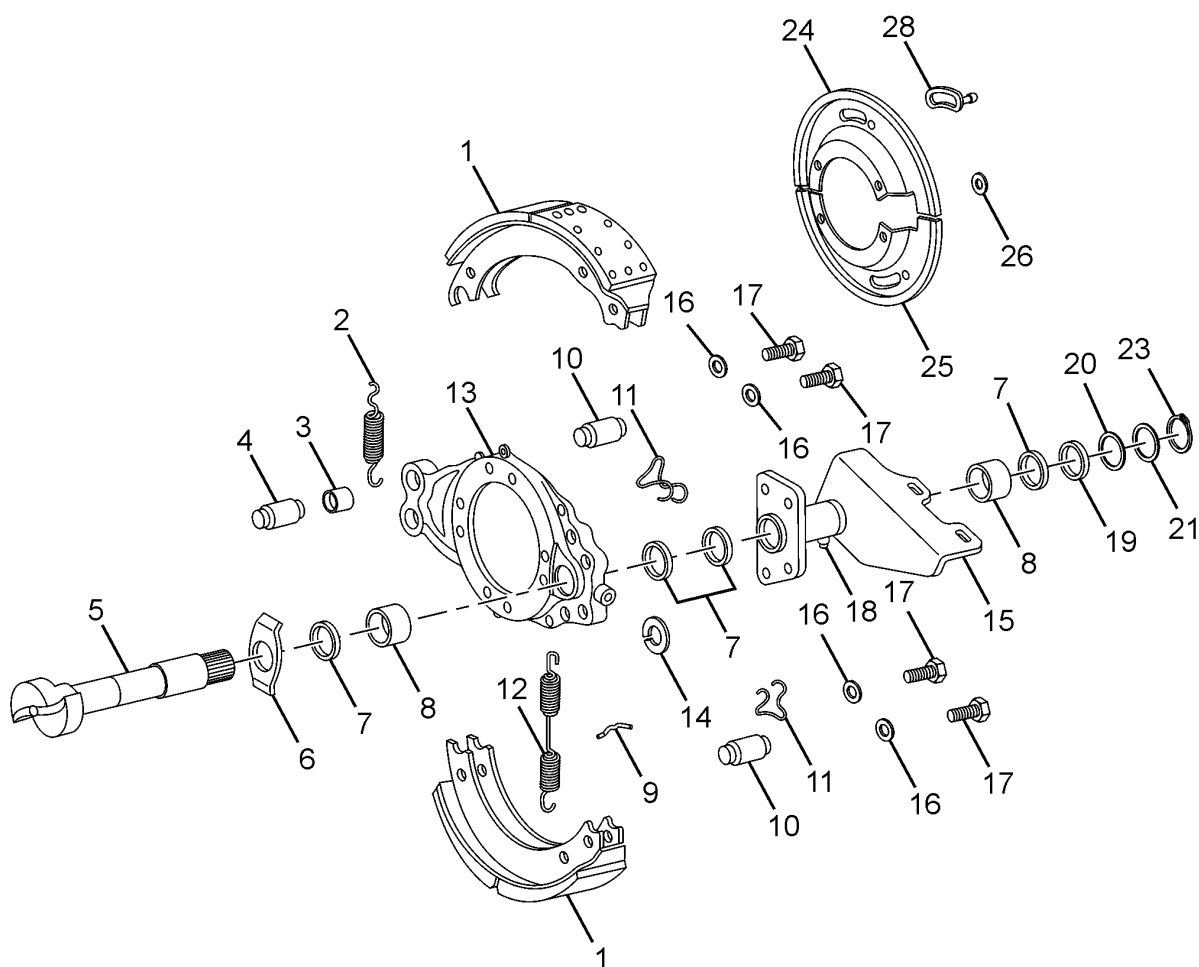
42.42.01		ASSY. F/A BRAKE WITH RH WITH DUST COVER BIL		GROUP 42
CHASSIS TYPE: ALL				
FIG. NO.	PART NUMBER	DESCRIPTION	QTY	REMARKS
	288342100131	ASSY. F/A BRAKE RH WITH DUST COVER BIL	1	FOR SELECTION AS A SET WITH M/S.AAL
	288342100132	ASSY. F/A BRAKE LH WITH DUST COVER BIL	1	FOR SELECTION AS A SET WITH M/S.AAL
3	277842130115	LINED SHOE FRONT	4	
2	277842133702	TORQUE PLATE LH	1	
2	277842133701	TORQUE PLATE RH	1	
4	277842135101	ROLLER	4	
5	257342106724	FULCRUM	4	
6	257342108704	SPRING (PULL OFF) FULCRUM END	4	
7	257342103404	FULCRUM PIN BUSH	4	
8	277842135102	CAM SHAFT LH	1	
8	277842135103	CAM SHAFT RH	1	
9	257342107702	'O' RING	2	
10	257342103405	DELTRIN BUSH	4	
11	257342107801	OIL SEAL	2	
12	257342108405	SLEEVE (SLACK ADJ. END)	2	
13	257342109209	WASHER	2	
14	257342108301	SHIM 0.5 MM	2	FOR SELECTION
14	257342108302	SHIM 1.0 MM	2	FOR SELECTION
15	257342104303	CIRCLIP	2	
17	257342118211	DUST COVER TOP	2	
18	257342118210	DUST COVER BOTTOM	2	
19	277842133301	ASSY. FLANGE, TUBE & BRACKET LH	1	
19	277842133302	ASSY. FLANGE, TUBE & BRACKET RH	1	
20	277842138701	SPRING PULL OFF, CAM END	2	
		REPAIR KITS		
	885442011616	WHEEL SET BRAKE LINING FRT STD	1	FOR SELECTION
	885442021616	WHEEL SET BRAKE LINING FRT R/S I	1	FOR SELECTION
	885442031616	WHEEL SET BRAKE LINING FRT R/S II	1	FOR SELECTION

CHASSIS TYPE: ALL



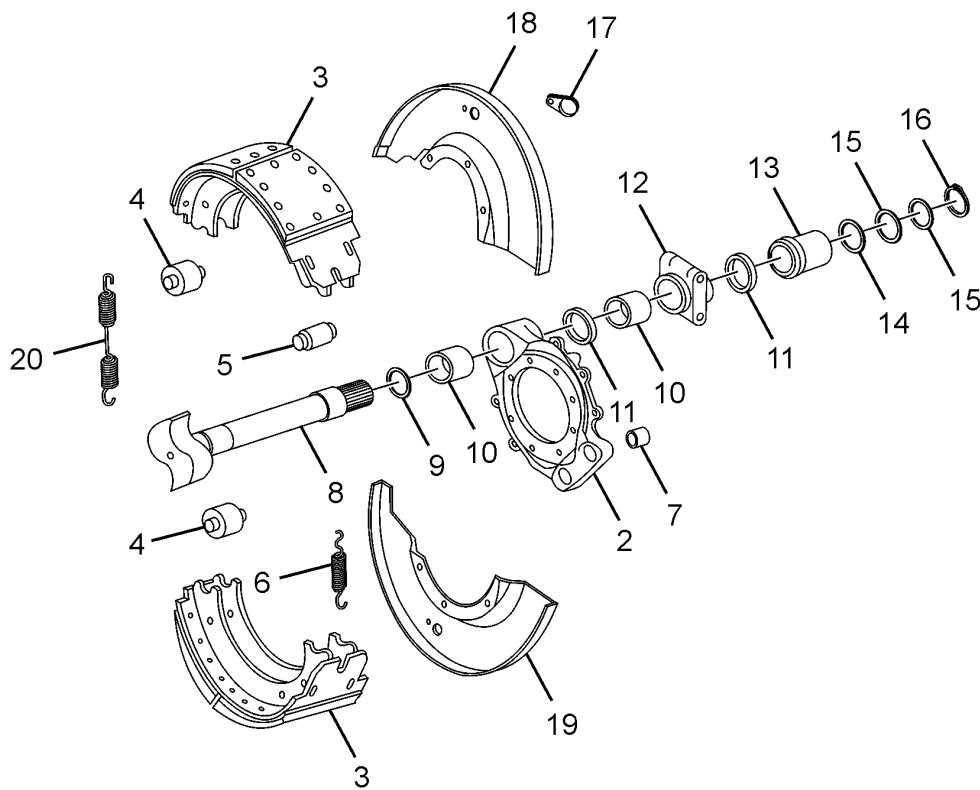
42.42.02		ASSY. F/A BRAKE WITH RH WITH DUST COVER AAL		GROUP 42
CHASSIS TYPE: ALL				
FIG. NO.	PART NUMBER	DESCRIPTION	QTY	REMARKS
	288342100122	ASSY. F/A BRAKE RH WITH DUST COVER AAL	1	FOR SELECTION AS A SET WITH M/S. BIL
	288342100123	ASSY. F/A BRAKE LH WITH DUST COVER AAL	1	FOR SELECTION AS A SET WITH M/S. BIL
1	257342100179	BRAKE SHOE LINING & ROLLER ASSY.	4	
2	257342108708	SPRING (BRAKE SHOE RETURN)	4	
3	257342103401	BUSH (ANCHOR PIN)	2	
4	257342106723	ANCHOR PIN (BRAKE SHOE)	2	
5	261842107902	CAMSHAFT LH	1	
5	261842107901	CAMSHAFT RH	1	
6	257342109211	WASHER (CAM HEAD)	2	
7	257342107701	SEAL (CAMSHAFT)	2	
8	257342103402	BUSH (CAMSHAFT)	4	
9	257342103403	PIN	4	
10	257342107903	ROLLER (BRAKE SHOE)	4	
11	257342104301	RETAINER (BRAKE SHOE ROLLER)	4	
12	257342108703	RETURN SPRING (BRAKE SHOE)	2	
13	-	SPIDER BRAKE LH	1	NOT SERVICED
13	-	SPIDER BRAKE RH	1	NOT SERVICED
14	257342105301	GASKET (CHAMBER BRACKET)	1	
15	257342103301	BRACKET LH	1	
15	257342103302	BRACKET RH	1	
16	257342109204	WASHER (BRACKET FOR CAP SCREW)	4	
17	257342108007	CAP SCREW (CHAMBER BRACKET)	4	
18	257342109901	FITTING GREASE (CHAMBER BRACKET)	1	
19	261842109202	WASHER	2	
20	261842109203	WASHER	2	
21	261842109204	WASHER (HARDENED)	2	
23	261842104301	LOCK RING	2	
24	257342108207	DUST SHIELD TOP	2	
25	257342108208	DUST SHIELD BOTTOM	1	
26	257342109208	WASHER	12	
28	257342106802	PLUG	4	
	257342106704	COLLARED PIN	4	
	257342106720	COLLARED PIN	4	
	257342103207	BOLT	4	
	257642106501	CASTLE NUT	4	
		REPAIR KITS		

CHASSIS TYPE: ALL



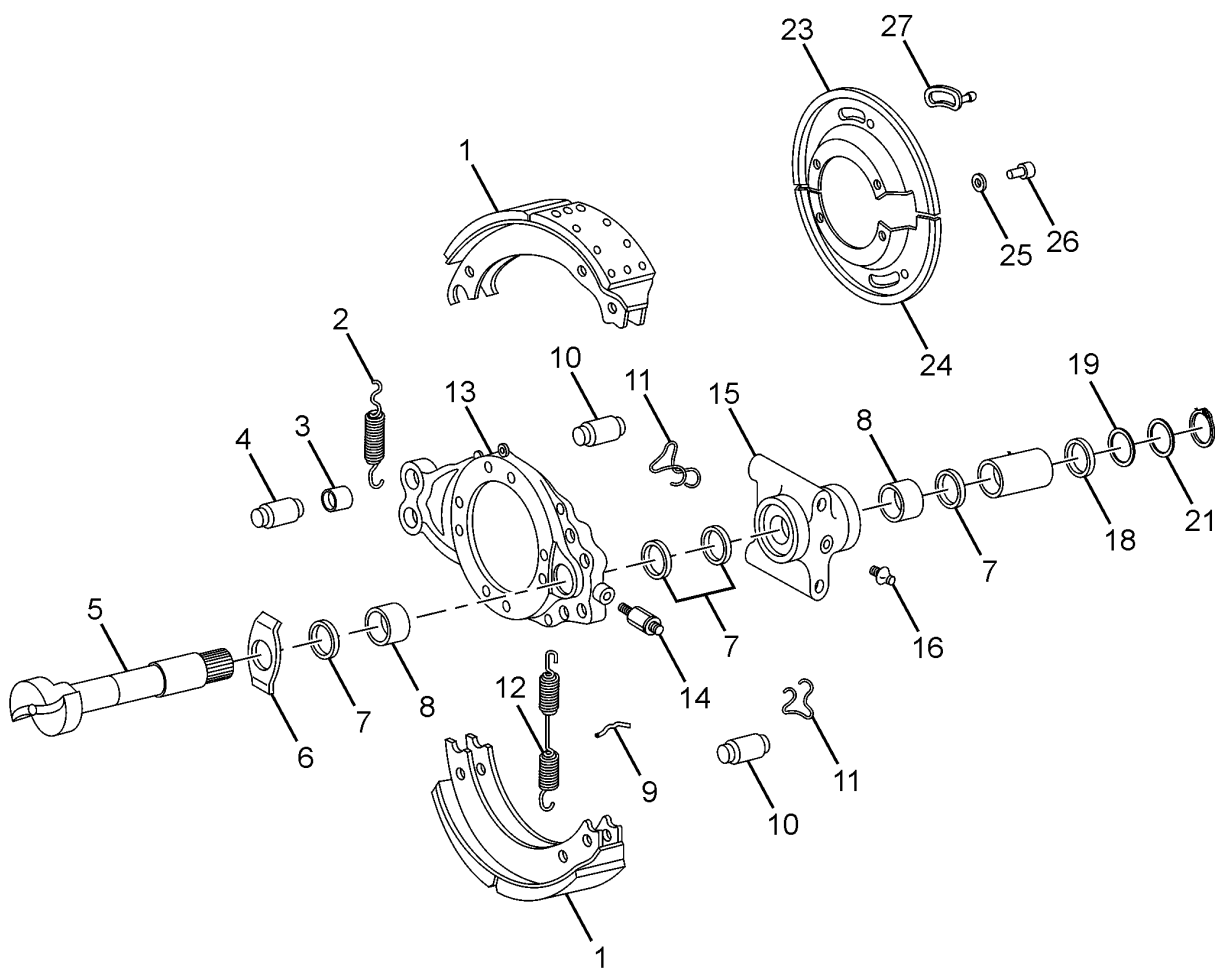
42.42.02		ASSY. F/A BRAKE WITH RH WITH DUST COVER AAL		GROUP 42
CHASSIS TYPE: ALL				
FIG. NO.	PART NUMBER	DESCRIPTION	QTY	REMARKS
	257342100183	FRONT BRAKE OVERHAUL KIT (MINOR)	1	
	-	CONSISTS OF :		
	-	BRAKE LINING	8	
	-	RETAINING SPRING	4	
	-	RETURN SPRING	2	
	-	ROLLER	4	
	-	RETAINER	4	
	-	RIVETS	80	
	257342100148	SERVICE KIT (MINOR) FRONT CONSISTS OF :	1	
	-	SPRING (RETAINING)	4	
	-	SPRING (RETURN)	2	
	-	ROLLER (BRAKE SHOE)	4	
	-	RETAINER	4	
	-	PIN (RETURN SPRING)	4	
	257342100149	BRAKE SPRING KIT (FRONT) CONSISTS OF :	1	
	-	SPRING (RETAINING)	4	
	-	SPRING (RETURN)	2	
	-	RETAINER (SHOE ROLLER)	2	
	257342100150	SERVICE KIT FOR CAMSHAFT (FRONT) CONSISTS OF :	1	
	-	BUSH	4	
	-	SEAL	2	
	-	LOCK RING	2	
		BRAKE LINING SET		
	885442011616	SET OF BRAKE LININGS W/O RIVETS (WHEEL SET) FRONT STD NASB	1	FOR SELECTION
	885442021616	SET OF BRAKE LININGS W/O RIVETS (WHEEL SET) FRONT RS 1 NASB	1	FOR SELECTION
	885442031616	SET OF BRAKE LININGS W/O RIVETS (WHEEL SET) FRONT RS 2 NASB	1	FOR SELECTION

CHASSIS TYPE: ALL



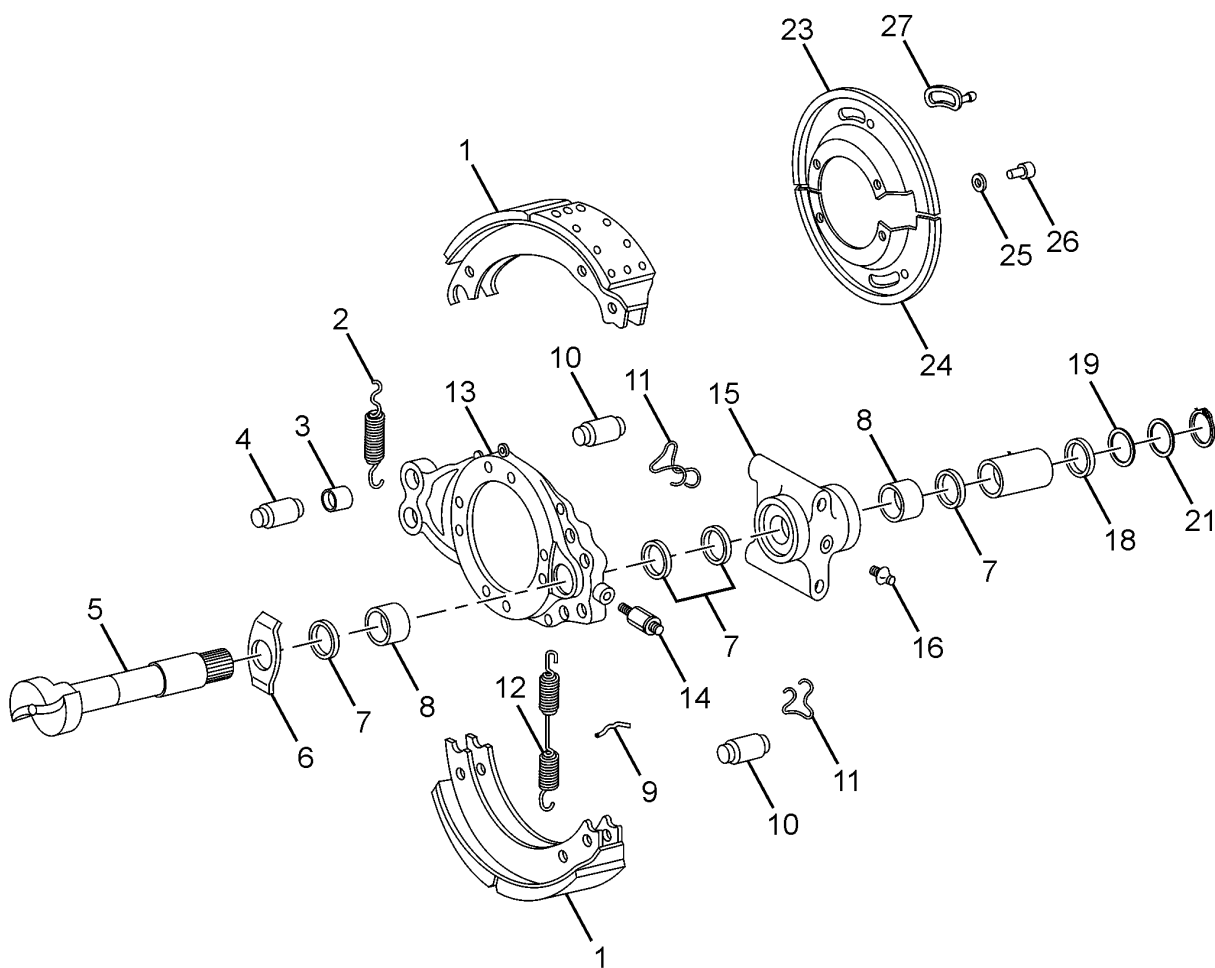
42.42.03		REAR DRUM BRAKE W/DUST COVER		GROUP 42
CHASSIS TYPE: ALL				
FIG. NO.	PART NUMBER	DESCRIPTION	QTY	REMARKS
	288342300131	ASSY.REAR DRUM BRAKE W/DUST COVER LH	1	FOR SELECTION AS A SET WITH M/S.AAL
	288342300130	ASSY.REAR DRUM BRAKE W/DUST COVER RH	1	FOR SELECTION AS A SET WITH M/S.AAL
2	257342313701	TORQUE PLATE LH / RH	2	
3	277842130106	ASSY. BRAKE SHOE WITH NON ASBESTOS BRAKE LINING (REAR)	4	
4	257342109902	ROLLER	4	
5	257342106724	FULCRUM PIN	4	
6	257342108704	SPRING PULL OFF, FULCRUM PIN	4	
7	257342103404	FULCRUM PIN BUSH	4	
8	283942307902	CAMSHAFT LH (SHORTER TYPE)	1	
8	283942307901	CAMSHAFT RH (SHORTER TYPE)	1	
9	257342107702	'O' RING	2	
10	257342103404	DELRIN BUSH	4	
11	257342107801	OIL SEAL	6	
12	257342300190	CAMSHAFT BRACKET ASSY.	2	
13	257342308401	SLEEVE (SLACK ADJ. END)	2	
14	257342109209	WASHER	2	
15	257342108301	SHIM 0.5 MM	2	FOR SELECTION
15	257342108302	SHIM 1.0 MM	2	FOR SELECTION
16	257342104303	CIRCLIP	4	
17	257342107501	GROMMET	2	
18	257342318212	DUST COVER (TOP)	2	
19	257342318213	DUST COVER (BOTTOM)	2	
20	257342108705	SPRING PULL OFF CAM END	2	
		BRAKE LINING SET		
	885442041616	SET OF BRAKE LININGS W/O RIVETS (WHEEL SET) REAR STD NASB	1	FOR SELECTION
	885442051616	SET OF BRAKE LININGS W/O RIVETS (WHEEL SET) REAR RS 1 NASB	1	FOR SELECTION
	885442061616	SET OF BRAKE LININGS W/O RIVETS (WHEEL SET) REAR RS 2 NASB	1	FOR SELECTION

CHASSIS TYPE: ALL



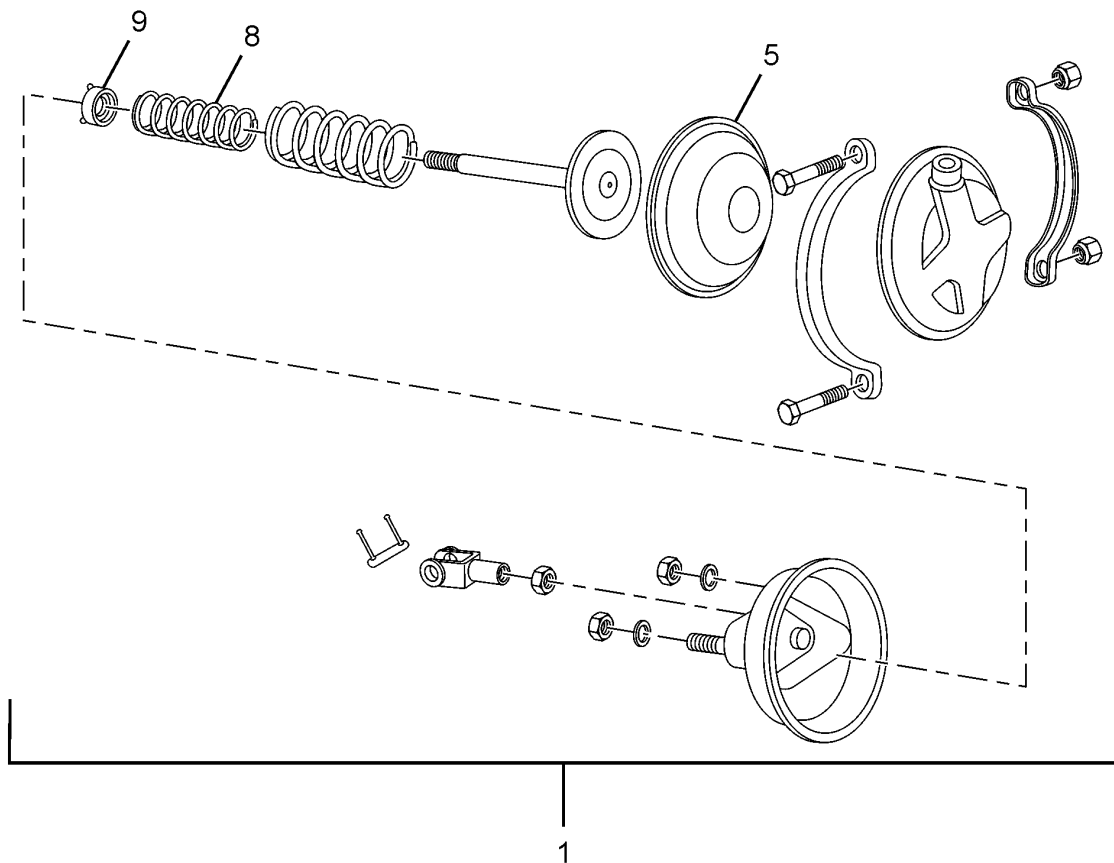
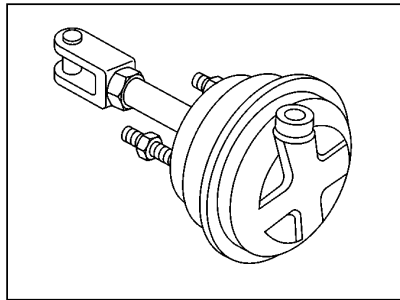
42.42.04		REAR DRUM BRAKE W/DUST COVER		GROUP 42
CHASSIS TYPE: ALL				
FIG. NO.	PART NUMBER	DESCRIPTION	QTY	REMARKS
	288342300122	ASSY.REAR DRUM BRAKE W/DUST COVER LH	1	NOT SERVICED
	288342300121	ASSY.REAR DRUM BRAKE W/DUST COVER RH	1	
1	257342310148	BRAKE SHOE LINING & ROLLER ASSY.	4	
2	257342108708	SPRING (BRAKE SHOE RETURN)	4	
3	257342103401	BUSH (ANCHOR PIN)	4	
4	257342106723	ANCHOR PIN (BRAKE SHOE)	2	
5	284142300118	CAMSHAFT LH	1	
5	284142300117	CAMSHAFT RH	1	
6	257342109211	WASHER (CAM HEAD)	2	
7	257342107701	SEAL (CAMSHAFT)	2	
8	-	BUSH (CAMSHAFT)	4	
9	257342103403	PIN (RETURN SPRING)	4	
10	257342107903	ROLLER (BRAKE SHOE)	4	
11	257342104301	RETAINER (BRAKE SHOE ROLLER)	4	
12	257342108703	RETURN SPRING (BRAKE SHOE)	2	
13	257342310149	SPIDER BRAKE LH/RH (COMMON)	2	
14	257342109901	FITTING GREASE (CHAMBER BRACKET)	2	
19	261842109202	WASHER CAMSHAFT (THICK)	2	
21	261842109204	WASHER (HARDENED)	2	
18	261842104301	LOCK RING (CAMSHAFT)	2	
16	257342309906	FITTING GREASE (SPIDER)	2	
15	257342307123	PLUMMER BLOCK	2	
23	257342308204	DUST SHIELD TOP	2	
24	257342308205	DUST SHIELD BOTTOM	2	
25	257342109208	WASHER	12	
27	257342106802	PLUG	2	
26	257342107405	RIVET	80	
		REPAIR KIT		
	257342310151	REAR BRAKE OVERHAUL KIT (MINOR)	1	
		CONSISTS OF :		
	-	BRAKE LINING	8	
	-	SPRING (RETAINING)	4	
	-	SPRING (RETURN)	2	
	-	ROLLER	4	
	-	RETAINER	4	
	-	RIVET	80	

CHASSIS TYPE: ALL



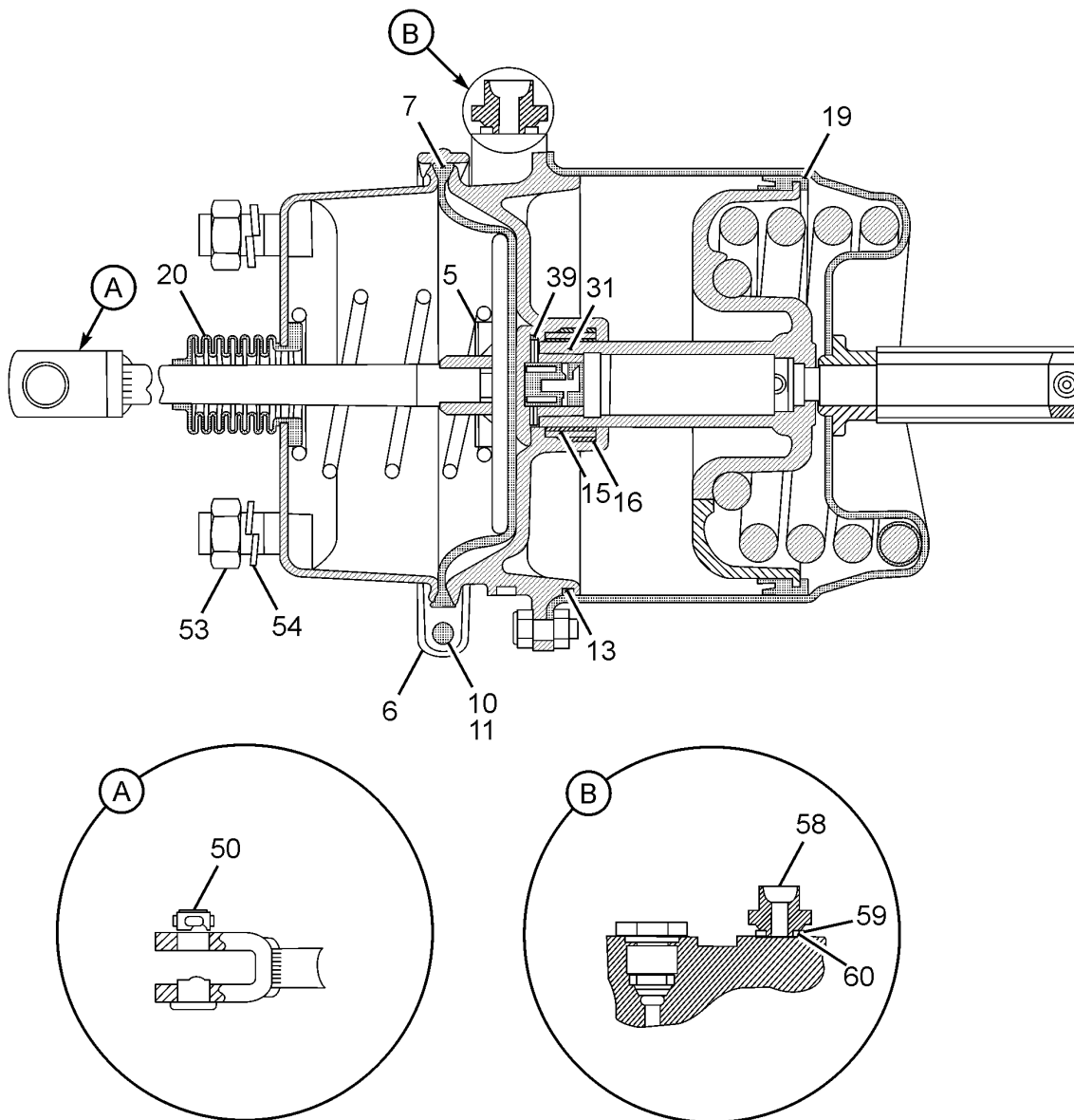
42.42.04		REAR DRUM BRAKE W/DUST COVER		GROUP 42
CHASSIS TYPE: ALL				
FIG. NO.	PART NUMBER	DESCRIPTION	QTY	REMARKS
	257342100148	SERVICE KIT (MINOR) REAR CONSISTS OF :	1	
	-	SPRING (RETAINING)	4	
	-	SPRING (RETURN)	2	
	-	ROLLER (BRAKE SHOE)	4	
	-	RETAINER	4	
	-	PIN (RETURN SPRING)	1	
	257342100149	BRAKE SPRING KIT (REAR) CONSISTS OF :	1	
	-	SPRING (RETAINING)	4	
	-	SPRING (RETURN)	2	
	-	RETAINER	4	
	257342300183	SERVICE KIT CAMSHAFT (REAR) CONSISTS OF :	1	
	-	BUSH	4	
	-	SEAL	2	
	-	LOCK RING	2	
		BRAKE LINING SET		
	885442041616	SET OF BRAKE LININGS W/O RIVETS (WHEEL SET) REAR STD NASB	1	FOR SELECTION
	885442051616	SET OF BRAKE LININGS W/O RIVETS (WHEEL SET) REAR RS 1 NASB	1	FOR SELECTION
	885442061616	SET OF BRAKE LININGS W/O RIVETS (WHEEL SET) REAR RS 2 NASB	1	FOR SELECTION

CHASSIS TYPE: ALL



42.42.05		FRONT BRAKE CHAMBER		GROUP 42
CHASSIS TYPE: ALL				
FIG. NO.	PART NUMBER	DESCRIPTION	QTY	REMARKS
1	278242100106	ASSY FRONT BRAKE CHAMBER TYPE 24 (SCL)	1	OPTIONAL TO KNORR
1	280642100101	ASSY FRONT BRAKE CHAMBER TYPE 24 (KNORR BREMSE)	1	OPTIONAL TO SCL
	257343100115	BRAKE CHAMBER REPAIR KIT (SCL)		
		CONSISTS OF :		
5		DIAPHRAGM	1	
8		SPRING	1	
9		SEAL	1	

CHASSIS TYPE: ALL



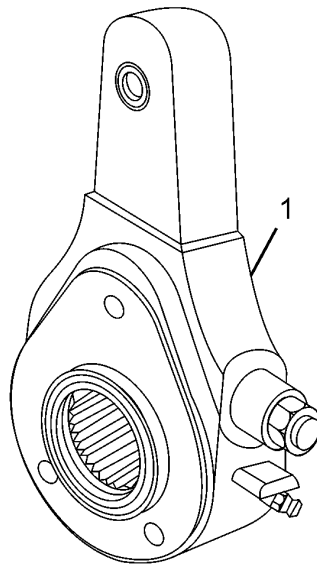
42.42.06		REAR BRAKE ACTUATOR		GROUP 42
CHASSIS TYPE: ALL				
FIG. NO.	PART NUMBER	DESCRIPTION	QTY	REMARKS
50	280842300127	BRAKE ACTUATOR 24/75 WT MET+VOSS RH(KB)	1	
50	280842300128	BRAKE ACTUATOR 24/75 WT MET+VOSS LH(KB)	1	
-	263243710113	SPARE KIT-T24/24SBA(VOSS+MET)KB	1	
5	278242708601	SPRING RETAINER	1	
6	278242704201	CLAMP RING	1	
7	278242707701	DIAPHRAGM	1	
10	278242708001	SCREW	1	
11	278242706501	NUT	1	
13	263242707704	O'RING	1	
15	263242707705	SEAL RING	1	
16	263242704301	CIRCLIP	1	
19	263242707703	MAIN SEAL (TYPE24)	1	
20	278242707702	BELLOW	1	
31	263242707707	O'RING	1	
39	263242707706	O'RING	1	
50	278242706701	COTTER PIN	1	
53	278242706502	NUT	2	
54	278242708602	WASHER	2	
58	278242706801	CONNECTOR M14xM18	1	
59	278242708603	THRUST RING M14	1	
60	278242707703	O'RING M14	1	

42.42.07

SLACK ADJUSTER (FRONT AND REAR)

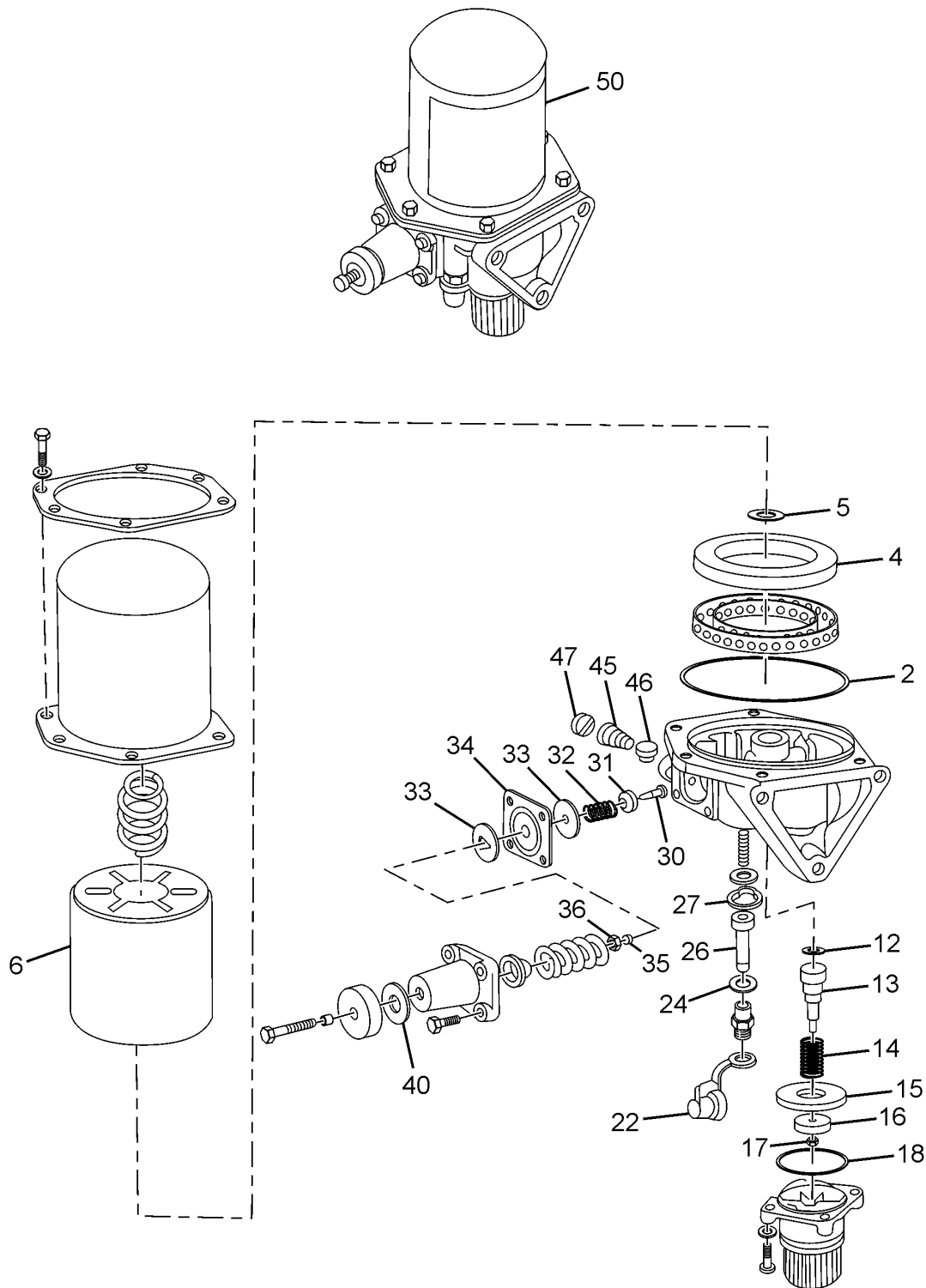
GROUP 42

CHASSIS TYPE: ALL



42.42.07		SLACK ADJUSTER (FRONT AND REAR)		GROUP 42
CHASSIS TYPE: ALL				
FIG. NO.	PART NUMBER	DESCRIPTION	QTY	REMARKS
1	277842100101	SLACK ADJUSTER (HALDEX)	2	OPTIONAL
	277842100159	SLACK ADJUSTER(KNORR BREMSE)	2	OPTIONAL
	277842100140	SLACK ADJUSTER(MEI-SASA-260)	2	OPTIONAL
		REPAIR KIT SLACK ADJUSTER CONSISTS OF:	1	PART NO WILL BE INFORMED LATER
		RIVET	1	
		WELCH PLUG	1	
		BUSH	1	
		PIN	1	
		LOCK(WORM SHAFT)	1	
		SPRING	1	
		WORM SHAFT	1	
	LUBRICATING NIPPLE	1		

CHASSIS TYPE: ALL



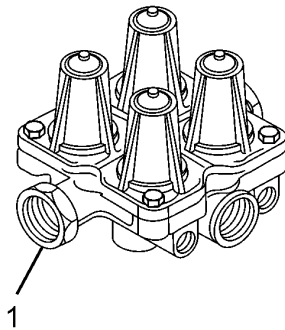
42.42.08		AIR DRYER HI-PR WT 24V HEATER SILE VOSS KB		GROUP 42
CHASSIS TYPE: ALL				
FIG. NO.	PART NUMBER	DESCRIPTION	QTY	REMARKS
50	264343700131	AIR DRYER-HI PR WT 24V HEATER_SILE VOSS KB	1	
—	264143700112	PLUNGER ASSY. CONSISTING OF :	1	
13	-	UNLOADER PLUNGER	1	
14	-	COMPRESSION SPRING	1	
15	-	VALVE SEAT	1	
16	-	VALVE	1	
17	-	HEXAGONAL NYLOC NUT	1	
—	264143700111	REPAIR KIT CONSISTING OF :	1	
2	-	SEALING RING	1	
4	-	FILTER	1	
5	-	SEALING RING	1	
6	-	DESICCANT CARTRIDGE	1	
12	-	SEALING RING	1	
16	-	VALVE	1	
18	-	SEALING RING	1	
22	-	DUST CAP	1	
24	-	SEALING RING	1	
26	-	VALVE	1	
27	-	SEALING WASHER	1	
31	-	VALVE	1	
34	-	DIAPHRAGM	1	
40	-	EXHAUST FLAP	1	
45	-	CONICAL SPRING	1	
46	-	NON RETURN VALVE	1	
47	-	VALVE STOP & SPRING RETAINER	1	
	-	SILICON GREASE SACHET	2	
—	264143700113	ASSY. DIAPHRAGM CONSISTS OF :	1	
30	-	GOVERNOR PLUNGER	1	
31	-	VALVE	1	
32	-	SPRING	1	
33	-	FOLLOWER	2	
34	-	DIAPHRAGM	1	
35	-	SPRING WASHER	1	
36	-	HEX NUT	1	

42.42.09

SYSTEM PROTECTION VALVE

GROUP 42

CHASSIS TYPE: ALL



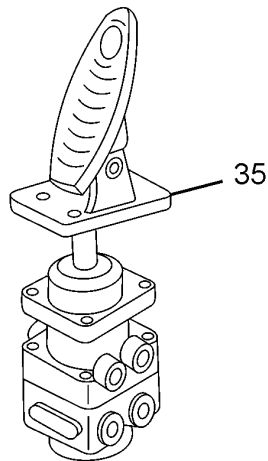
42.42.09		SYSTEM PROTECTION VALVE		GROUP 42	
CHASSIS TYPE: ALL					
FIG. NO.	PART NUMBER	DESCRIPTION	QTY	REMARKS	
1	280943700159	4 CIR PROT VALVE(WT EG)VOSS KB-K026432	1		

42.42.10

DUAL BRAKE VALVE

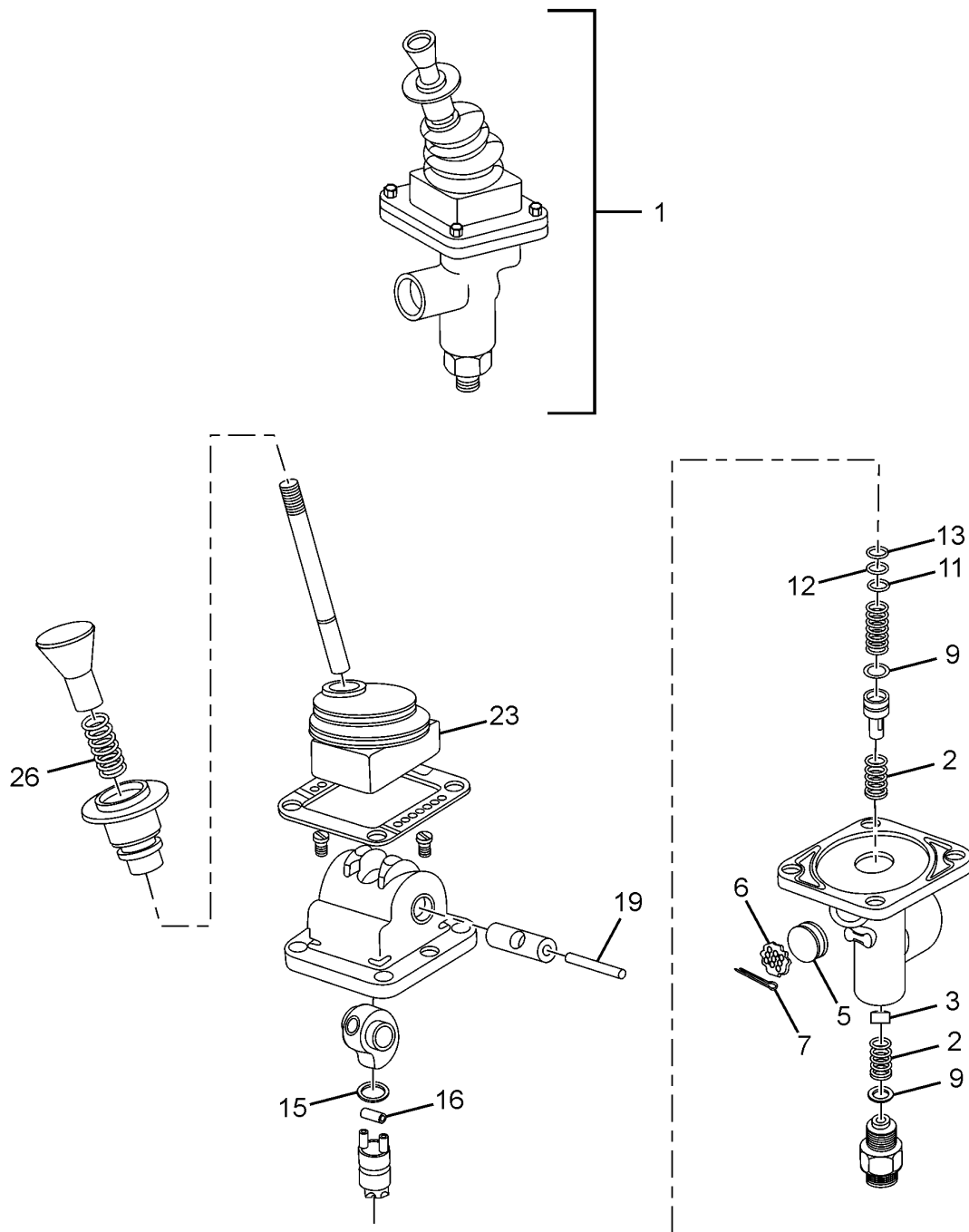
GROUP 42

CHASSIS TYPE: ALL



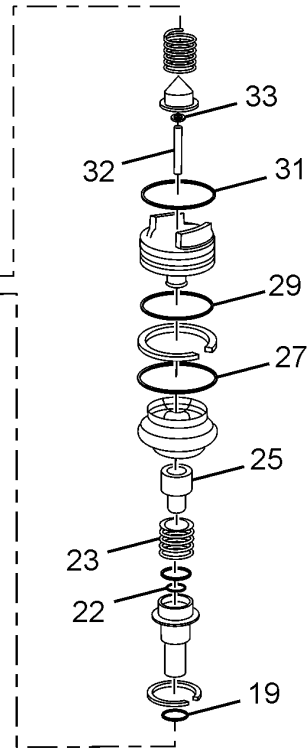
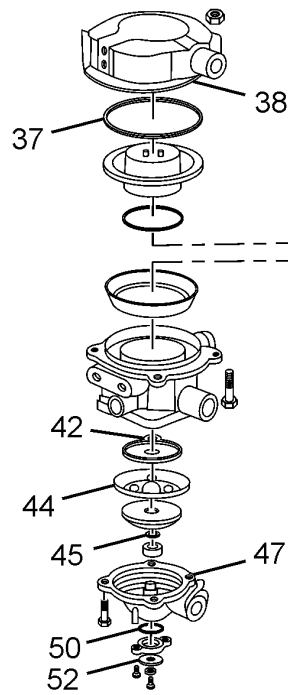
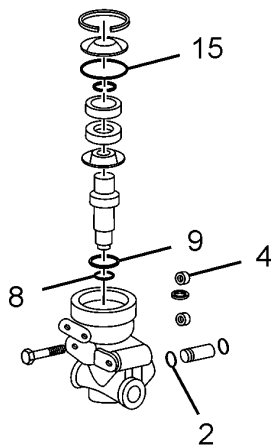
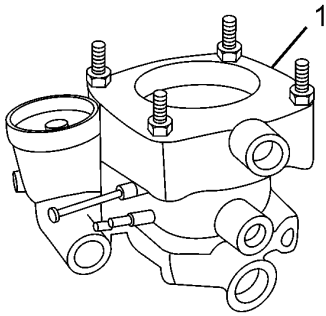
42.42.10		DUAL BRAKE VALVE		GROUP 42
CHASSIS TYPE: ALL				
FIG. NO.	PART NUMBER	DESCRIPTION	QTY	REMARKS
35	284943700111	DUAL BRAKE VALVE VOSS BSIII SCL	1	

CHASSIS TYPE: ALL



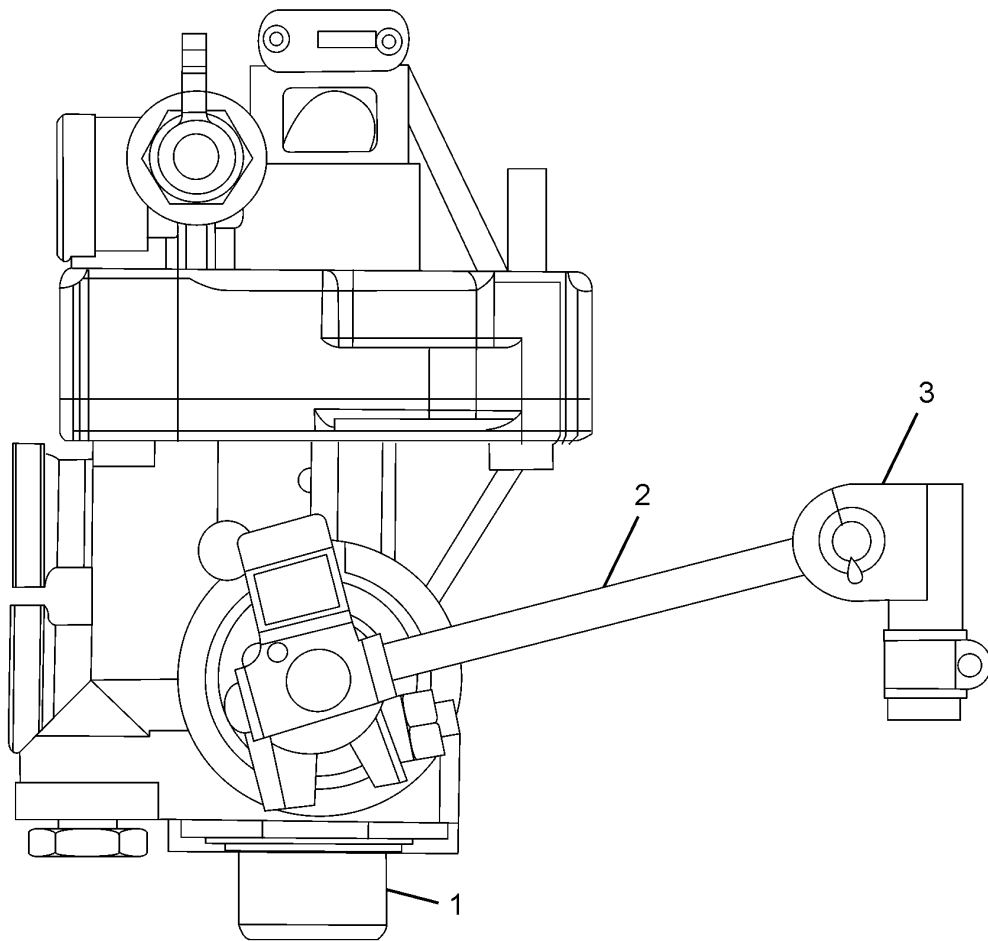
42.42.11		GRADUATED HAND BRAKE VALVE		GROUP 42
CHASSIS TYPE: ALL				
FIG. NO.	PART NUMBER	DESCRIPTION	QTY	REMARKS
1	288443700105	GRADUATED HAND BRAKE VALVE (SCL) VOSS	1	
	257342420101	REPAIR KIT GRADUATED HAND BRAKE VALVE (SCL) CONSISTS OF :	1	
3		VALVE	1	
23		GAITER	1	
26		SPRING	1	
16		ROLLER	1	
2		SPRING	1	
9		SEALING RING	1	
15		SEALING RING	1	
7		SPLIT PIN	1	
19		TENSION PIN	1	
5		FILTER	1	
6		STRAINER PLATE	1	
11		SHIM	1	
12		SHIM.	1	
13		SHIM	1	
		GREASE SCHET	1	

CHASSIS TYPE: ALL



42.42.12		TRAILER CONTROL VALVE		GROUP 42
CHASSIS TYPE: ALL				
FIG. NO.	PART NUMBER	DESCRIPTION	QTY	REMARKS
1	280943700130	TRAILER CONTROL VALVE ASSY.- VOSS (SCL)	1	
	257643990169	REPAIR KIT FOR TRAILER CONTROL VALVE (SCL) CONSISTS OF :	1	
2		O RING	2	
4		SEALING RING	2	
8		O RING	1	
9		O RING	1	
15		O RING	1	
19		O RING	2	
22		O RING	1	
23		COMPRESSION SPRING	1	
25		VALVE	1	
27		O RING	2	
29		O RING	1	
31		O RING	1	
32		ADJUSTER SCREW ASSY.	1	
33		O RING	1	
37		O RING	1	
38		O RING	1	
42		SEALING RING	1	
44		DIAPHRAM	1	
45		O RING	1	
47		O RING	1	
50		O RING	1	
52		WASHER	1	

CHASSIS TYPE: ALL



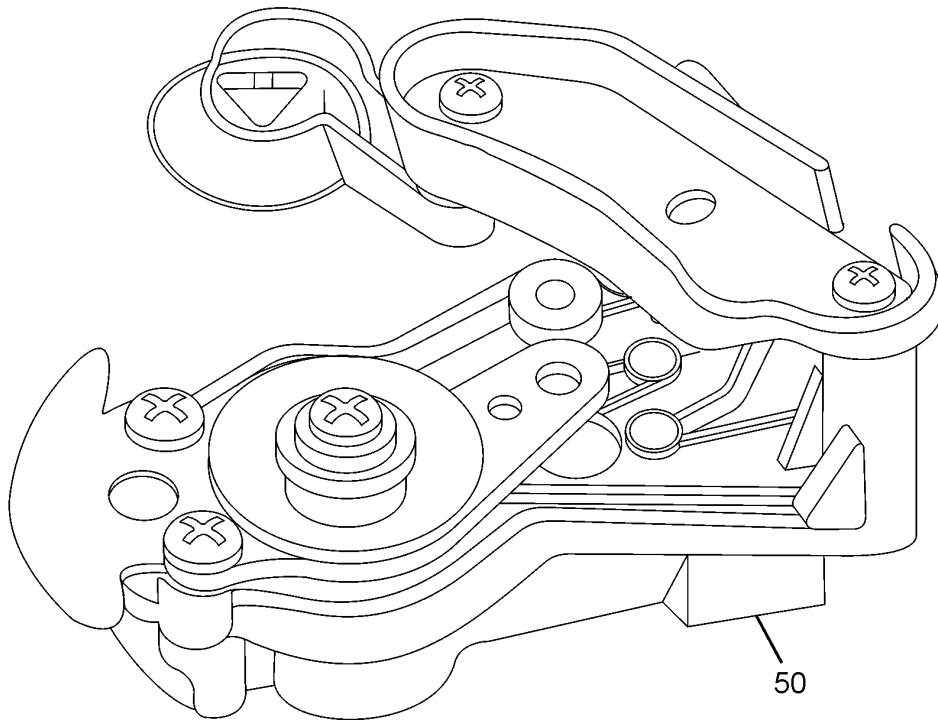
42.42.13		AUTOMATIC LOAD SENSING VALVE (LCRV)		GROUP 42
CHASSIS TYPE: ALL				
FIG. NO.	PART NUMBER	DESCRIPTION	QTY	REMARKS
1	280943700128	AUTOMATIC LOAD SENSING VALVE (LCRV) (SCL), VOSS	1	
2	276842400101	ASSY. PULL ROD	1	
3	275442400102	ASSY. BRACKET	1	

42.42.14

PALM COUPLING (TRACTOR SUPPLY)(SCL)

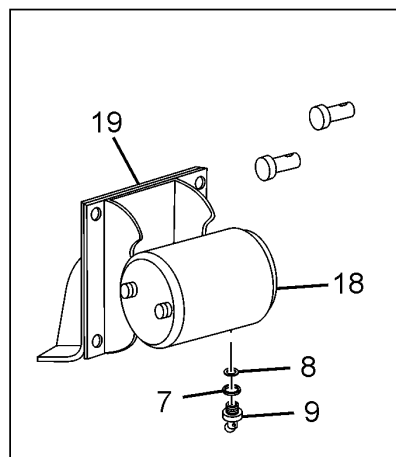
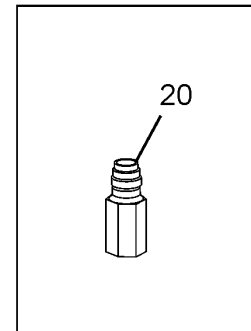
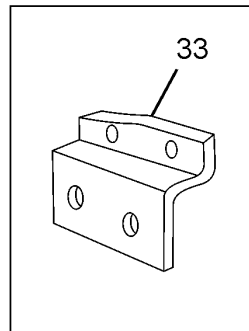
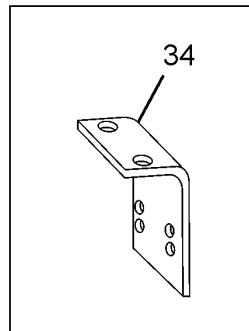
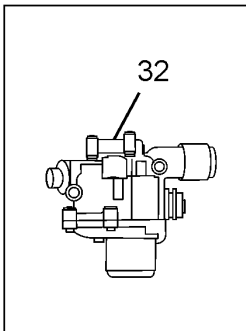
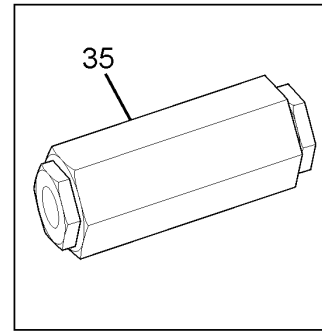
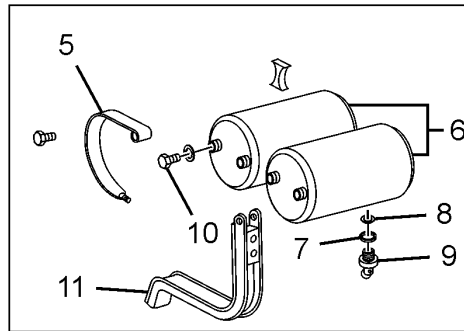
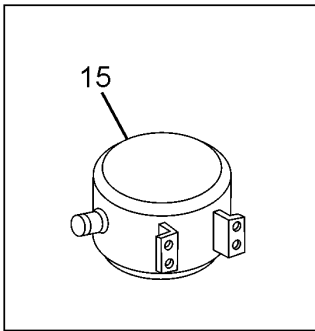
GROUP 42

CHASSIS TYPE: ALL



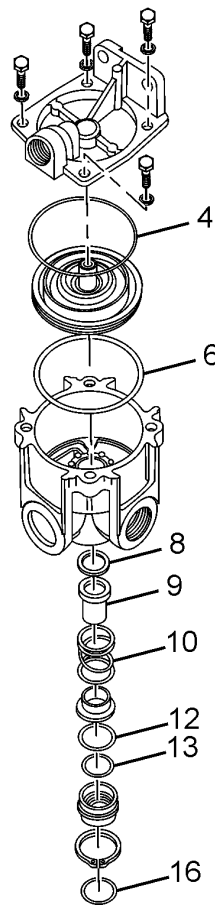
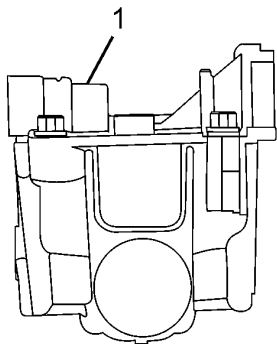
42.42.14		PALM COUPLING (TRACTOR SUPPLY)(SCL)		GROUP 42
CHASSIS TYPE: ALL				
FIG. NO.	PART NUMBER	DESCRIPTION	QTY	REMARKS
50	278243700116	PALM COUPLING TRACTOR SUPPLY LINE(SCL)	1	
50	278243700132	PALM COUPLING-TRACTOR CONTROL LINE(SCL)	1	
50	278243700130	PALM COUPLING-TRAILER SUPPLY LINE (SCL)	1	
50	278243700127	PALM COUPLING-TRAILER CONTROL LINE (SCL)	1	

CHASSIS TYPE: ALL



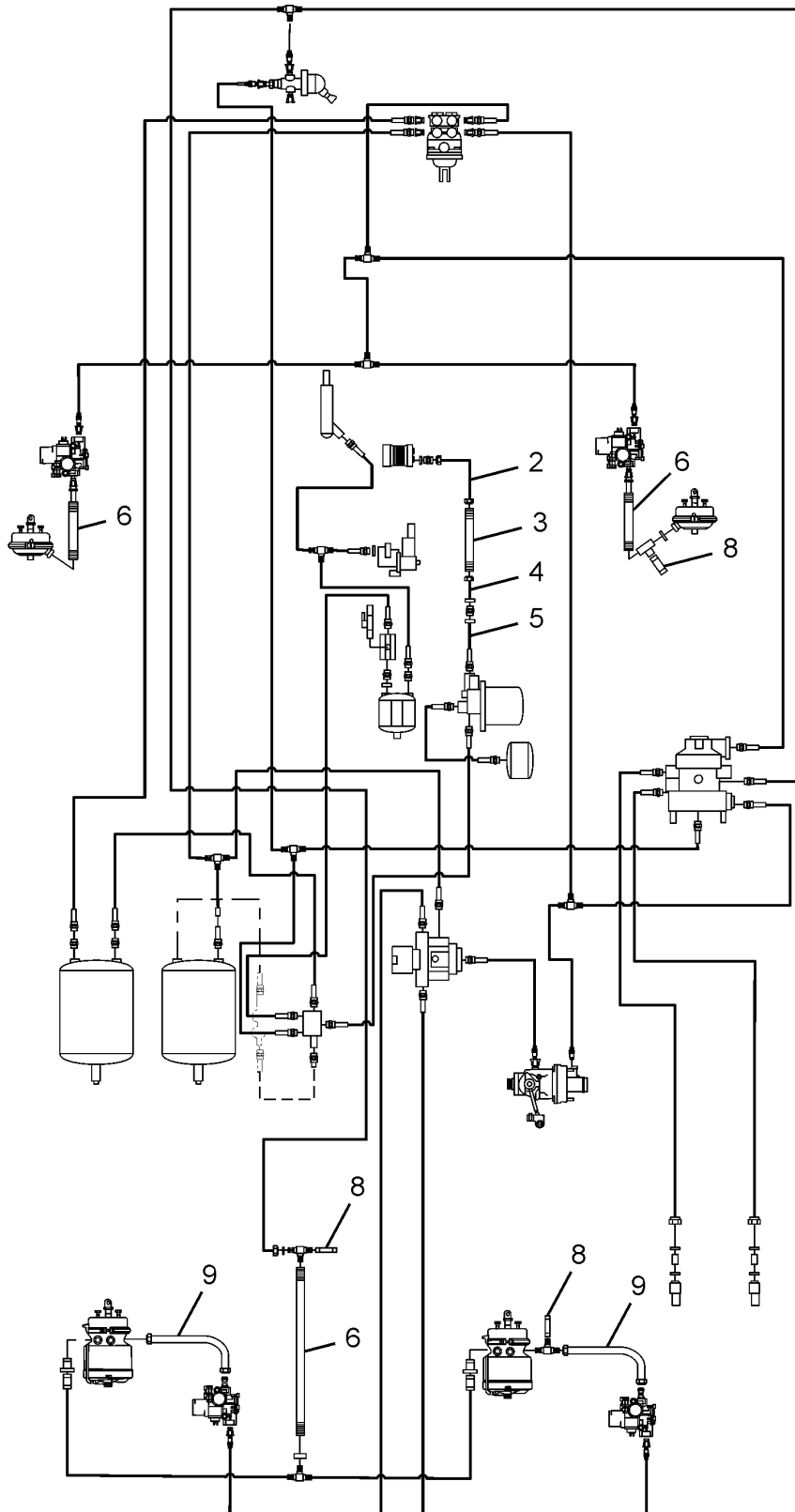
42.42.15		AIR TANK		GROUP 42
CHASSIS TYPE: ALL				
FIG. NO.	PART NUMBER	DESCRIPTION	QTY	REMARKS
5	263242910107	ASSY. STRAP (METAL)	2	
6	280943910115	ASSY.AIR CONTAINER (SUITABLE FOR VOSS)	2	
7	257643509201	THRUST RING	4	
8	17050501175	O' RING	4	
9	257443790150	WATER DRAIN VALVE	2	
10	257643208602	SPACER BLOCK	2	
11	257343200135	ASSY. SUPPORT, AIR TANK MTG (VOSS FITTING)	2	
18	284643200102	SUB ASSY.AIR TANK (WITH 70 mm BKT. C.D.)	1	
19	284643200106	ASSY.BRACKET - (AIR TANK MTG.15LTR)	2	
20	264343709901	PRESSURE TEST CONNECTOR, (FOR STD FITTING)	5	
15	277043700113	PURGE TANK (SUITABLE FOR VOSS)	1	
32	284943700122	MODULATOR	4	
33	280943700160	VALVE(VOSS+MET)24V-SCL(M592820 ASSY BKT-MODULATR VALVE MTG(REAR)LPT1618	2	
34	263243710112	ASSY MTG BKT-MODULATOR VALVE FRONT(1613)	2	
35	284643700105	NON-RETURN VALVE(M306100)VOSS-SCL	1	

CHASSIS TYPE: ALL



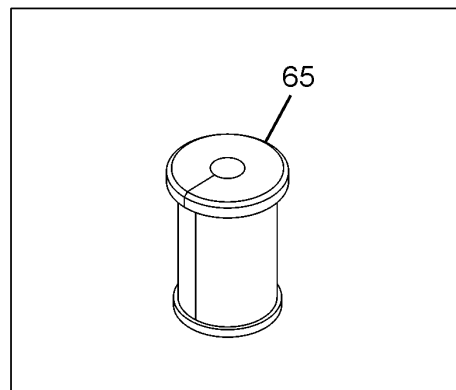
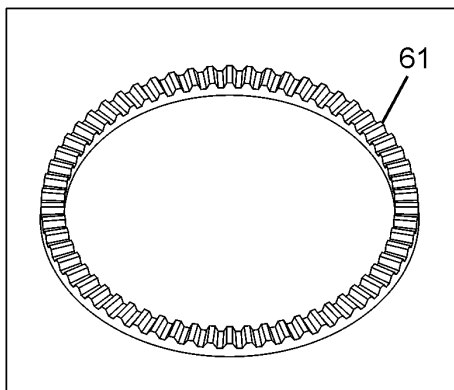
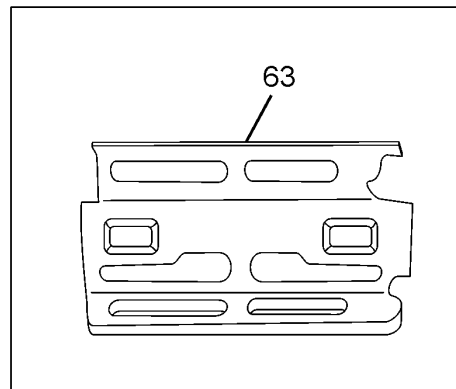
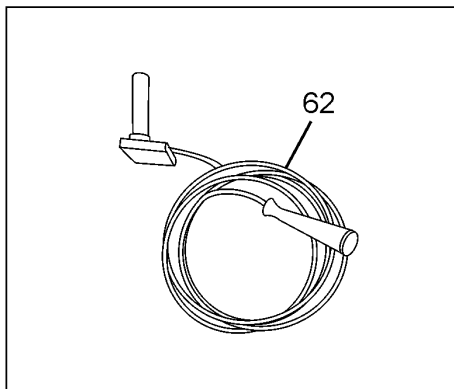
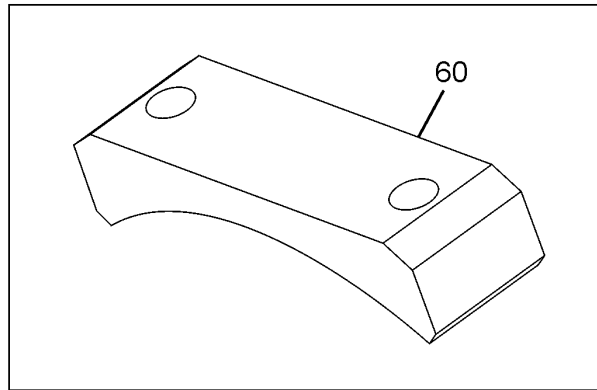
42.42.16		RELAY VALVE RG2		GROUP 42
CHASSIS TYPE: ALL				
FIG. NO.	PART NUMBER	DESCRIPTION	QTY	REMARKS
1	278243700147	RELAY VALVE (ALL VOSS PORTS)	1	OPTIONAL
1	263243700150	RELAY VALVE (ALL VOSS PORTS), KNORR BREMSE	1	OPTIONAL
	278243700106	REPAIR KIT RELAY VALVE CONSIST OF	1	
4		SEALING RING	1	
6		SEALING RING	1	
8		VALVE BODY	1	
9		VALVE	1	
10		VALVE SPRING	1	
12		SEALING RING	1	
13		SEALING RING	1	
16		EXHAUST FLAP	1	
		GREASE SACHET	1	

CHASSIS TYPE: ALL



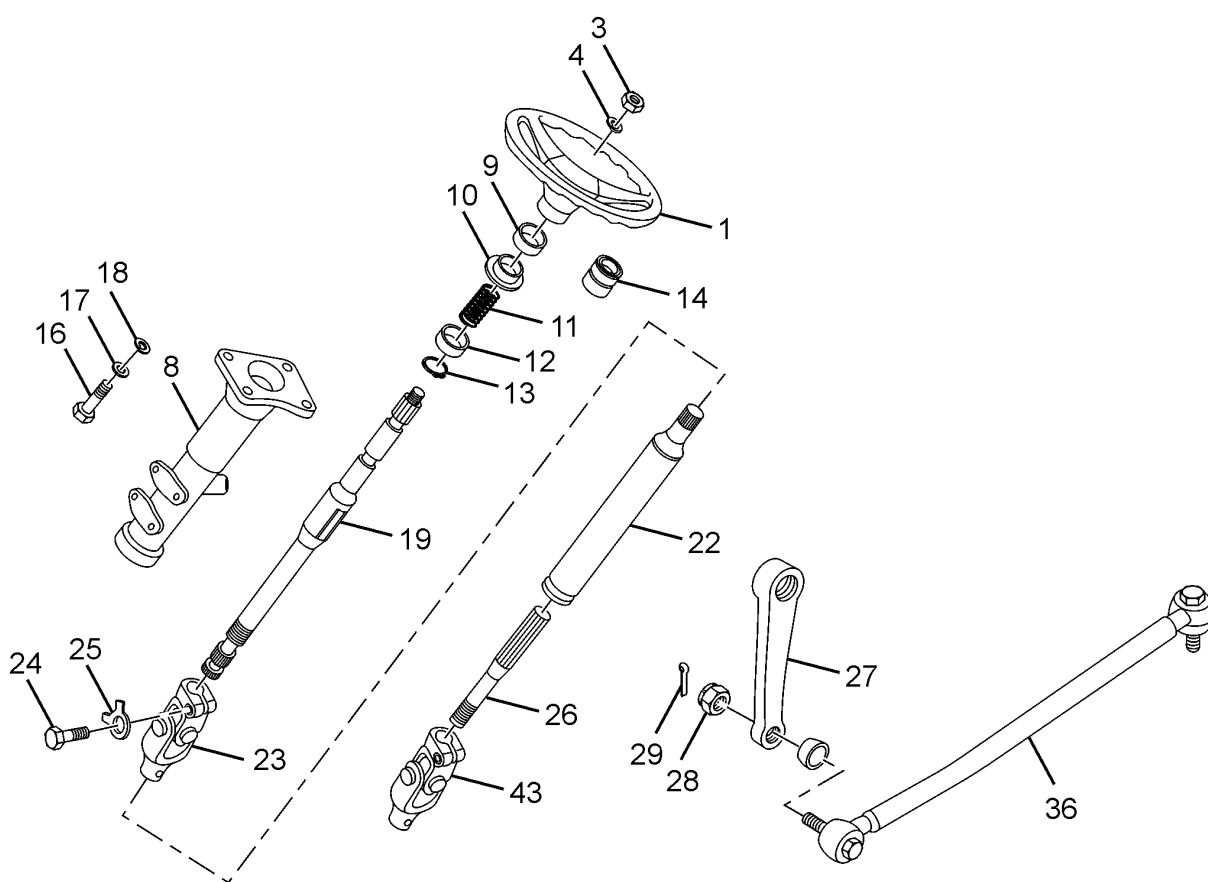
42.42.17		BRAKE LINES (VOSS)		GROUP 42
CHASSIS TYPE: ALL				
FIG. NO.	PART NUMBER	DESCRIPTION	QTY	REMARKS
2	280943910107	ASSY.METAL PIPE COMP TO HOSE(DIA18)	1	
3	263243910143	TEFLON HOSE- (5/8"ID,M26 END FIT)	1	
4	280943910108	ASSY.METAL PIPE HOSE TO INT.JOINT(DIA18)	1	
5	280943910109	ASSY.METAL PIPE INT.JOINT TO DDU(DIA18)	1	
6	257342950177	ASSY. RUBBER HOSE 3/8 INCH	4	
8	264343709901	PRESSURE TEST CONNECTOR, 3/8" HOSE ASSY. WITH END	3	
9	257342900161	FITTINGS(L=480)	2	
		ASSY. NYLON TUBE SET COMPLETE CONSISTS ;	1	WILL BE INFORMED LATER
		ASSY. NYLON TUBE SET CAB	1	WILL BE INFORMED LATER
		ASSY. NYLON TUBE SET CHASSIS	1	WILL BE INFORMED LATER

CHASSIS TYPE: ALL



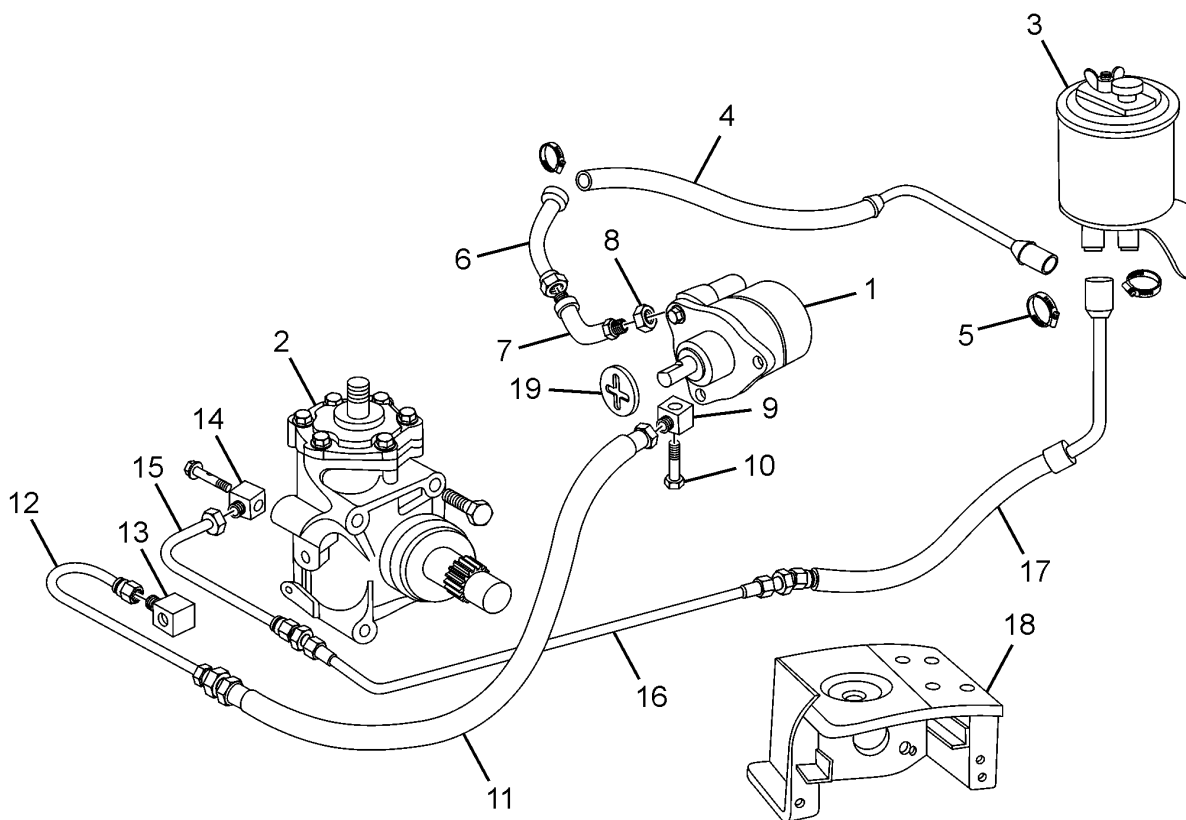
42.42.18		ABS BRAKE ITEMS		GROUP 42	
CHASSIS TYPE: ALL					
FIG. NO.	PART NUMBER	DESCRIPTION	QTY	REMARKS	
60	280842303301	SENSOR AXLE BKT. REAR	2		
61	284142309901	POLE WHEEL-REAR	2		
62	264354209929	SENSOR-'L TYPE'(WHEEL SPEED) - K/B.	2		
63	263242103403	SENSOR BUSH(KNORR)-ABS	2		
	280842307502	RUBBER GROMMET (FOR DIA 8 ABS HOLE)	2		
65	280842307501	RUBBER GROMMET FOR (DIA 18 ABS HOLE)	2		

CHASSIS TYPE: ALL



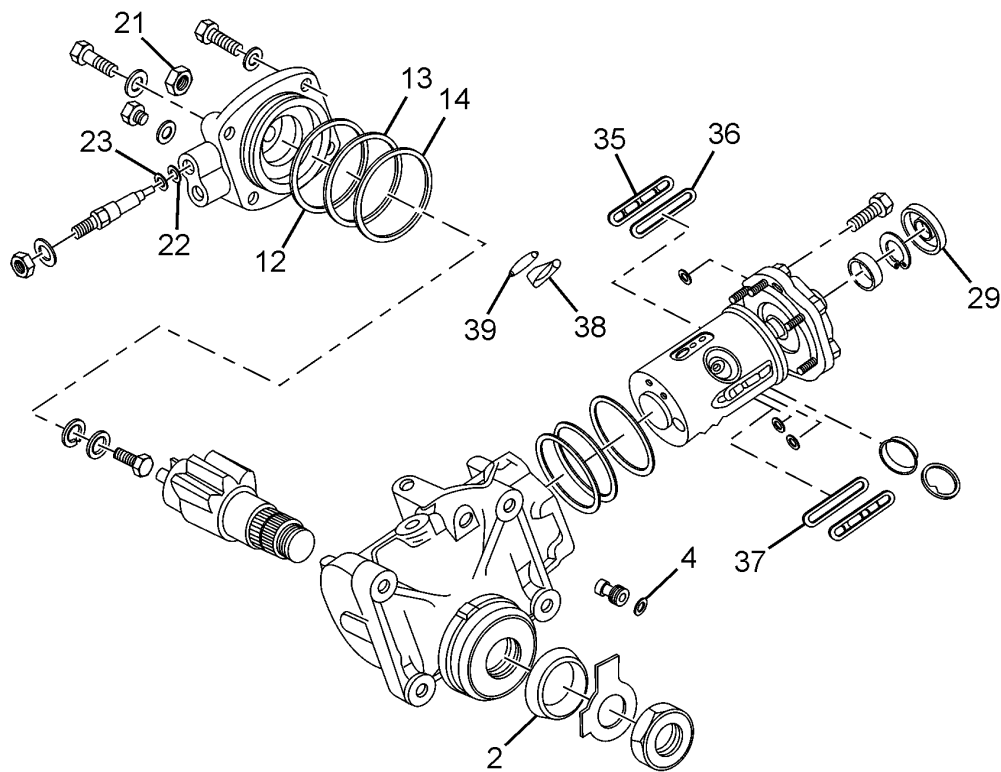
46.46.01		STEERING LINKAGE (TILT CAB)		GROUP 46	
CHASSIS TYPE: ALL					
FIG. NO.	PART NUMBER	DESCRIPTION	QTY	REMARKS	
1	280946400101	ASSY. STEERING WHEEL (500 DIA.)	1		
3	12080996029	HEX. THIN NUT M 14X1.5	1		
4	12520696022	SPRING WASHER B 14	1		
8	278346200105	ASSY. STEERING COLUMN	1		
9	264146207920	SPACER	1		
10	265446209915	SPRING SEAT	1		
11	265446208711	COMPRESSION SPRING	1		
12	265446208278	SPRING SEAT CUP	1		
13	14550602009	EXT. CIRCLIP 20X1.2 N	1		
14	264046203102	BALL BEARING 6004.2 Z	1		
16	11323996042	HEX. SCREW M 10X28	4		
17	12460501057	BRIGHT WASHER 10.5	4		
18	12580801054	LOCK WASHER A 10.5	4		
19	278346200104	ASSY. STEERING SPINDLE (TOP)	1		
22	278246200106	ASSY. STEERING SPINDLE (MIDDLE) (FOR M/S ZF)	1		
23	265146600102	ASSY. UNIVERSAL JOINT	2		
24	265146603201	BOLT(FOR M/S ZF)	2		
25	12580600849	TAB WASHER 8.4	2		
26	278346207908	STEERING SPINDLE BOTTOM	1		
27	206346305105	PITMAN ARM	1		
28	12102296034	THIN CASTLE NUT M 36X1.5	1		
29	13150611614	SPLIT PIN 6.3X63	1		
36	280946600102	DRAG LINK (LHD)	1		
43	257346200106	ASSY. U.J. STEERING ON GEAR BOX(FOR M/S ZF)	1	FOR SELECTION	
43	257346200108	ASSY. U.J. STEERING ON GEAR BOX(FOR M/S RANE)	1	FOR SELECTION	

CHASSIS TYPE: ALL



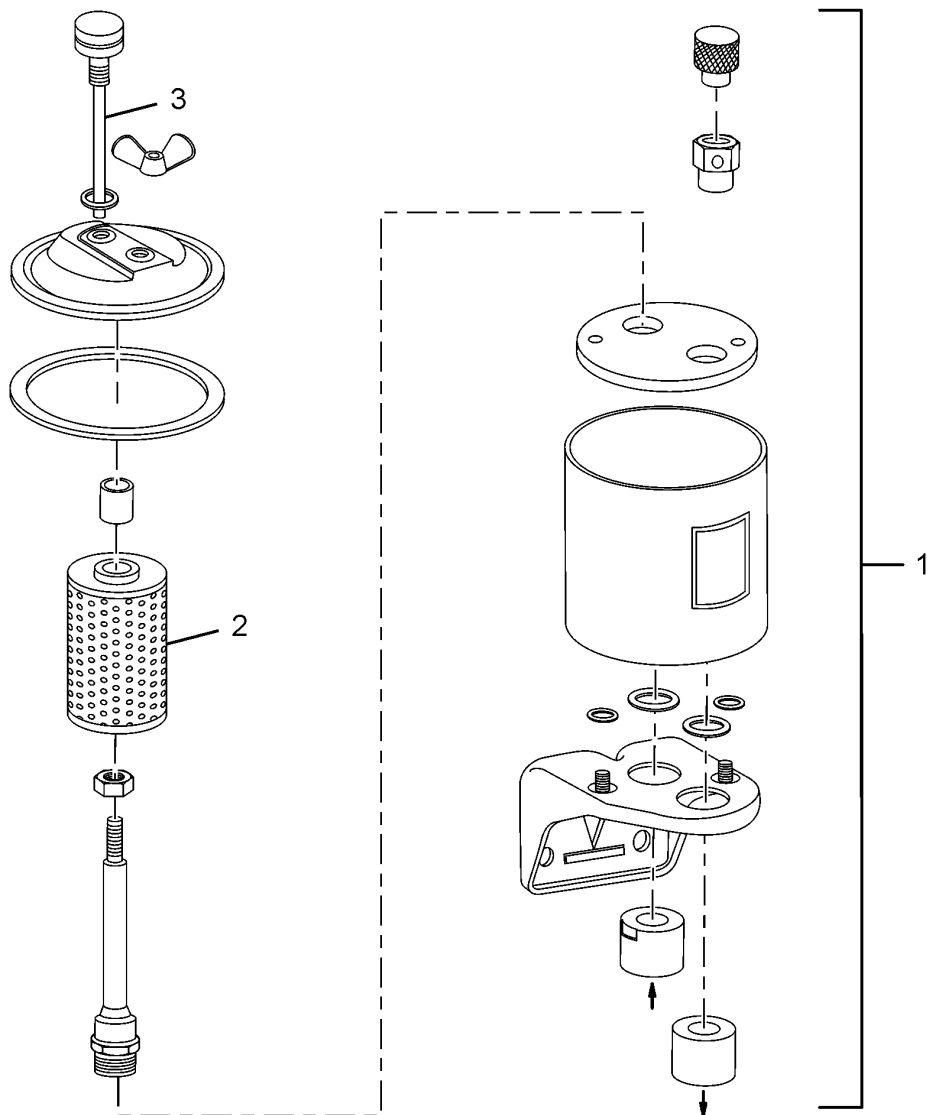
46.46.02		STEERING PIPE LINES		GROUP 46
CHASSIS TYPE: ALL				
FIG. NO.	PART NUMBER	DESCRIPTION	QTY	REMARKS
1	275446600103	STEERING PUMP (DIRECT DRIVE) (FOR M/S ZF)	1	
2	257346210116	ASSY. STEERING GEAR BOX (ZF)	1	
3	278244400101	HYDRAULIC TANK (FOR M/S ZF)	1	
4	280946800139	HOSE CRIMPED (HYD. TANK TO STEERING PUMP)	1	
5	14280500306	HOSE CLAMP 30	3	
6	262546800102	ASSY. PIPE (18 O.D.)	1	
7	16502801809	BULK HEAD ELBOW L18	1	
8	257443509201	SEALING RING	1	
	17050501205	'O' RING 25.0 X 2.65 (ON STRING PUMP INLET)	1	
9	257344106802	BANJO BODY	1	
10	257344106803	BANJO BOLT	1	
	16220710240	SEALING WASHER 16 X 20 (ON STEERING PUMP PR. PORT)	2	
11	257446800104	H.P.HOSE (3/8") (FROM STG PUMP TO STG G. B.)	1	
	16420801509	COUPLING BODY L15	3	
12	280946800140	ASSY. PIPE (15 MM O.D.)(FROM STG PUMP TO STG G. B.)	1	
13	257646806801	BANJO BODY	2	
14	270046806802	BANJO	2	
15	280946800107	ASSY. TUBE (15 MM O.D.)(FOR M/S ZF)	1	
16	278246800120	ASSY. PIPE (15 MM O.D.)	1	
17	280946800116	ASSY. HOSE CRIMPED(STG G. B. TO STG. TANK)	1	
18	280946100101	ASSY. BRACKET (STEERING GEAR BOX MOUNTING)	1	
19	275546604601	COUPLING (DRIVE)	1	
	257346108002	HEX. SCREW (FOR MOUNTING G. BOX)	4	

CHASSIS TYPE: ALL



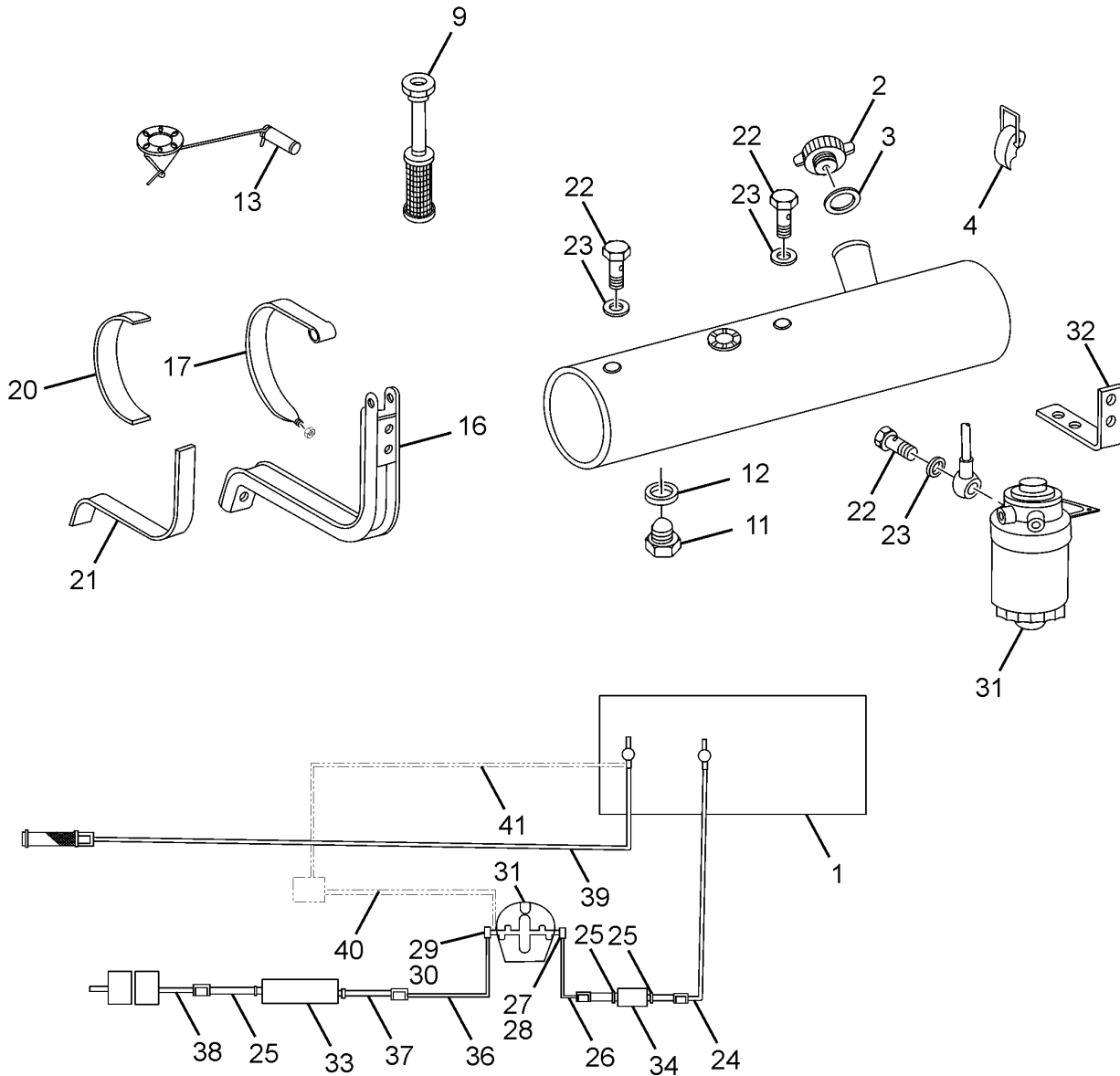
46.46.03		STEERING GEAR BOX (ZF INDIA)		GROUP 46
CHASSIS TYPE: ALL				
FIG. NO.	PART NUMBER	DESCRIPTION	QTY	REMARKS
	257346210116	STEERING GEAR BOX ASSY. (ZF -INDIA)	1	
	257346210102	SEAL KIT (POWER STEERING GEAR BOX)	1	
		CONSISTING OF :		
2		DUST SEAL	1	
		GASKET	3	
		SUPPORT RING	3	
4		'O' RING	1	
13		'O' RING	1	
12		'O' RING	1	
14		SEALING RING	1	
21		SEALING NUT	1	
22		'O' RING	2	
23		'O' RING	2	
29		PROTECTIVE CAP	1	
35		GASKET	2	
36		GASKET	2	
37		GASKET	2	
38		GASKET	2	
39		GASKET	2	
—		GASKET	2	
39		GASKET	2	
—		GASKET	2	

CHASSIS TYPE: ALL



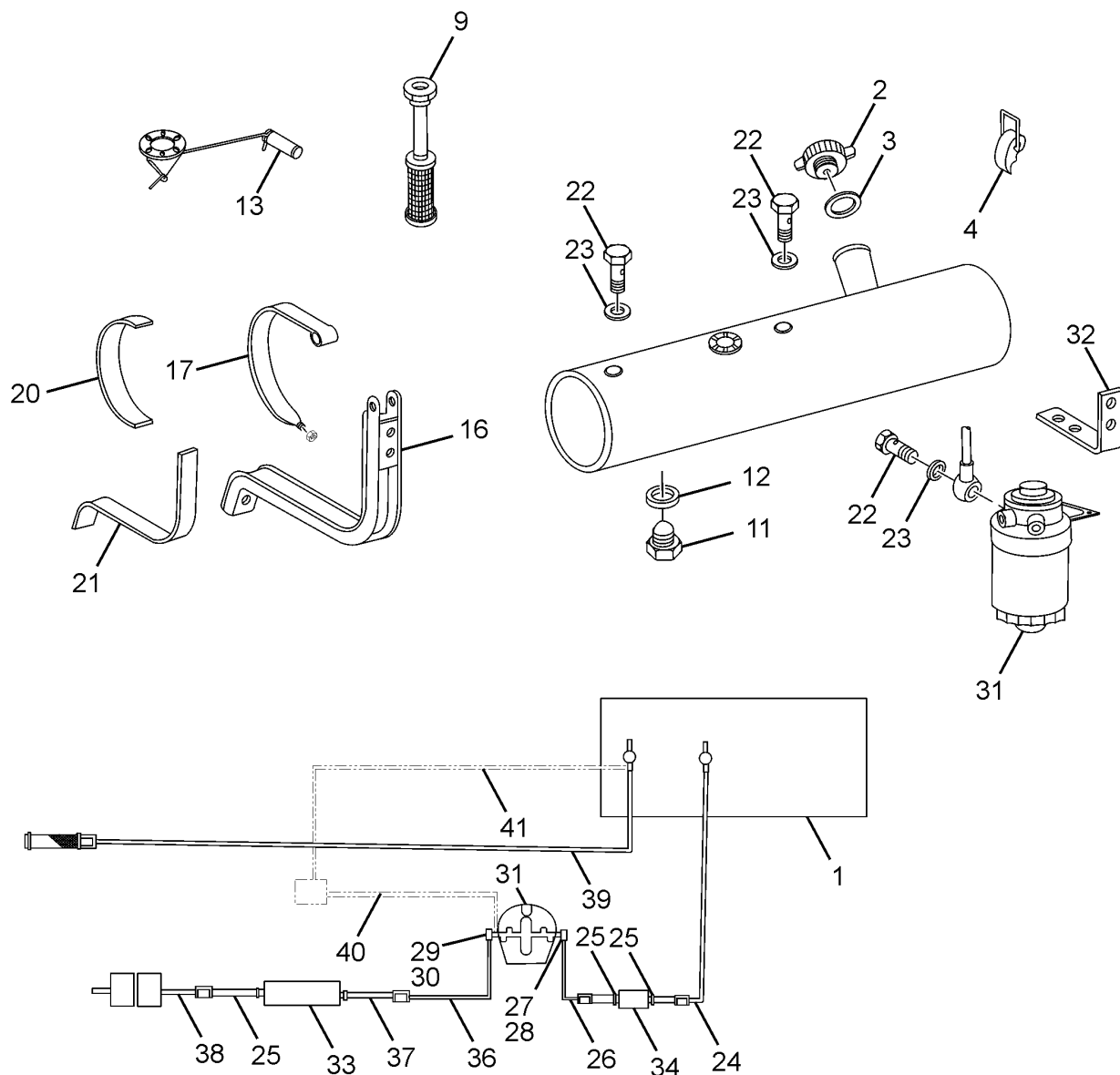
46.46.04		ASSY. TANK (ZF POWER STEERING)		GROUP 46
CHASSIS TYPE: ALL				
FIG. NO.	PART NUMBER	DESCRIPTION	QTY	REMARKS
1	278244400101	ASSY. HYDRAULIC TANK	1	NIPPLE TYPE FOR METALLIC TANK
2	257344400128	FILTER ASSY.	1	
3	257344400126	DIPSTICK ASSY.	1	

CHASSIS TYPE: ALL



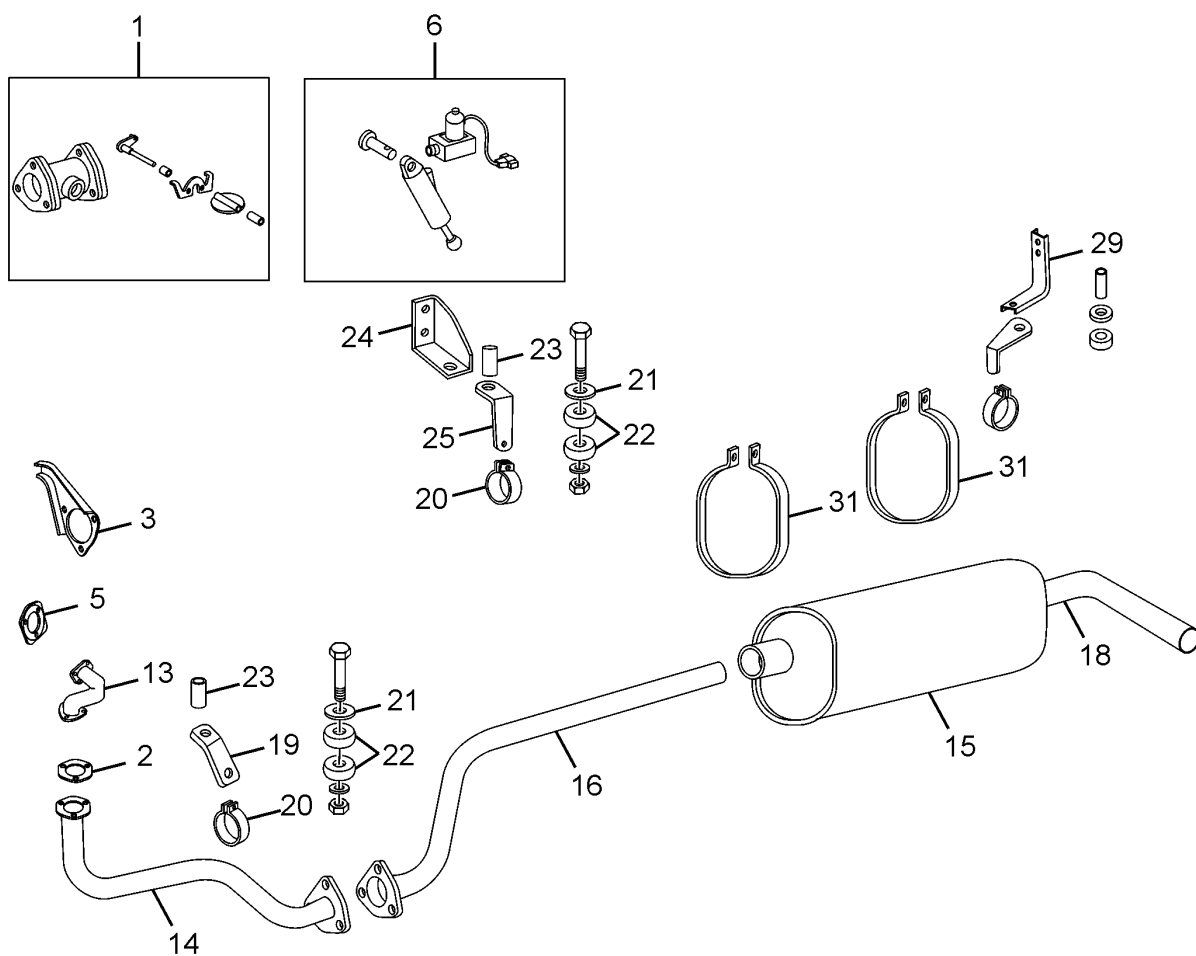
47.47.01		FUEL SYSTEM		GROUP 47
CHASSIS TYPE: ALL				
FIG. NO.	PART NUMBER	DESCRIPTION	QTY	REMARKS
1	278247100101	ASSY. FUEL TANK (350 LIT.)	1	
2	0424700605J	ASSY. FUEL CAP	1	
3	0004710280J	RUBBER RING	1	
4	0424700237J	ASSY. HANDLE	1	
9	278247600106	ASSY. SUCTION TUBE (INSIDE FUEL TANK)	1	
11	253401130111	MAGNETIC DRAIN PLUG	1	
12	16221710286	SEALING WASHER 18X22 ST	1	
13	261854209904	TANK UNIT	1	
17	278247500104	ASSY. SUPPORT STRAP	3	
16	278247500103	ASSY. SUPPORT COMPLETE	3	
20	278247507702	RUBBER PACKING	3	
21	278247507701	RUBBER PACKING	3	
SUPPLY LINE				
24	280947600116	ASSY. FUEL LINE (TANK TO STRAINER)	1	
25	14280500128	HOSE CLAMP 12 IS4762 SS8451-8B	2	
22	206847107202	BANJO BOLT	2	
23	16220710282	SEALING WASHER 18X22 CU	4	
26	280947600117	ASSY.FUEL SUCTION LINE (STRAINER TO W/S)	1	
27	16531999049	PIPE UNION BOLT 10 M14X1.5	1	
28	265147107710	COATED ALUMINIUM WASHER(@ WATER SEP.)	1	
29	264347606801	DOUBLE PIPE UNION BOLT	1	
30	265147107710	COATED ALUMINIUM WASHER(@ WATER SEP.)	1	
31	252509120206	WATER SEPARATOR WITH HANDPRIMER-MICO	1	
32	280947600122	ASSY. BRACKET (MICO WATER SEPERATOR MTG)	1	
33	252707100189	ASSY.ELECTRIC FUEL PUMP(EURO-II)	1	
	280947608203	BRACKET (FUEL FEED PUMP MOUNTING)	1	
34	278609999951	FUEL STRAINER(4080720)	1	
	257642913307	BRACKET	1	
36	280947600118	ASSY. SUCTION LINE(W/S TO FEED PUMP)	1	
37	14280500209	HOSE CLAMP 20	1	

CHASSIS TYPE: ALL



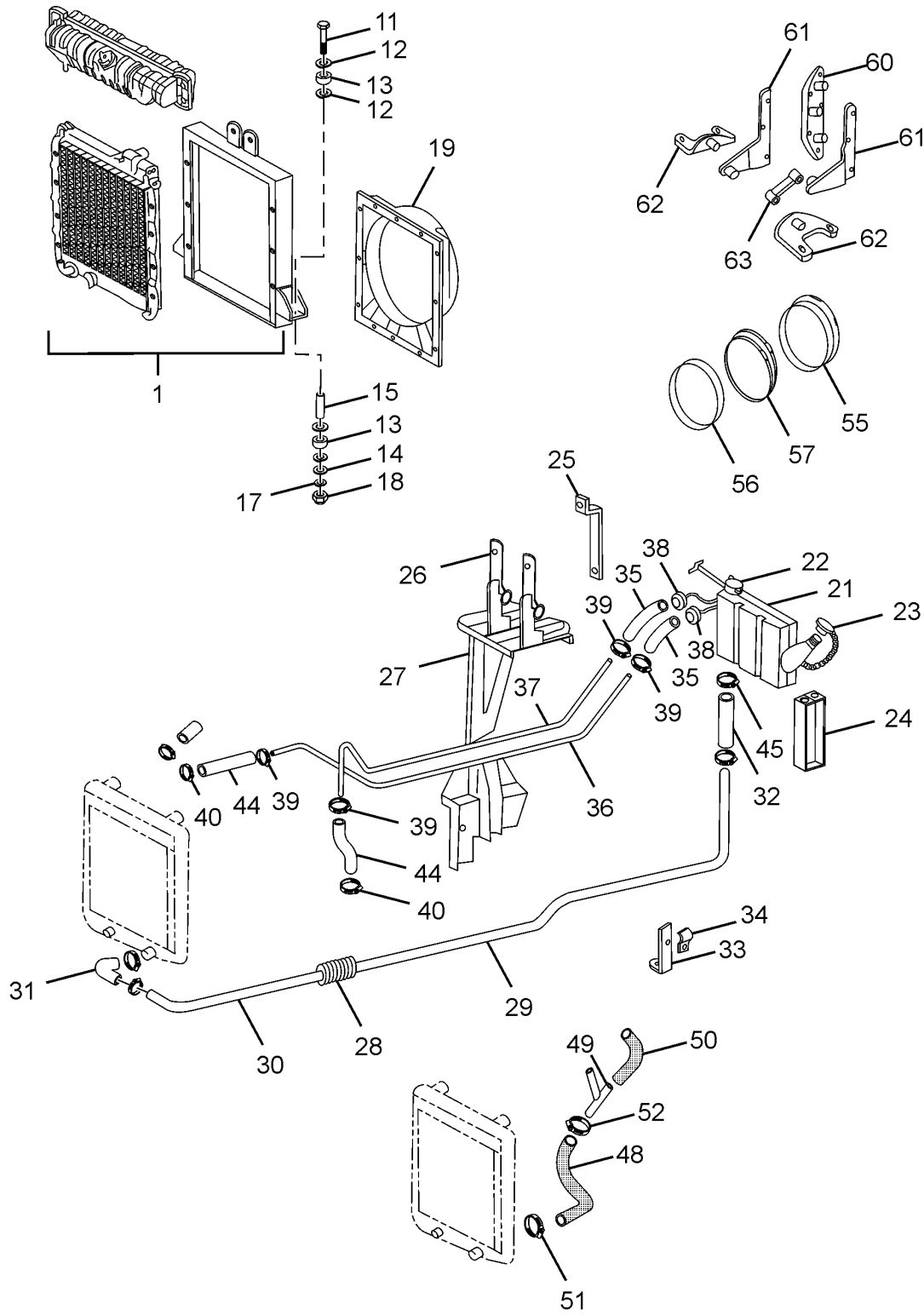
47.47.01		FUEL SYSTEM		GROUP 47	
CHASSIS TYPE: ALL					
FIG. NO.	PART NUMBER	DESCRIPTION	QTY	REMARKS	
38	280947600119	ASSY.SUCTION LINE (FEED PUMP TO FILTER)	1		
		RETURN LINE			
39	280947600120	ASSY. FUEL RETURN LINE	1		
40	280947600123	ASSY.FUEL SUCTION LINE(W/S TO WEBASTO)	1		
41	280947600124	ASSY.FUEL RETURN LINE(WEBASTO TO TANK)	1		

CHASSIS TYPE: ALL



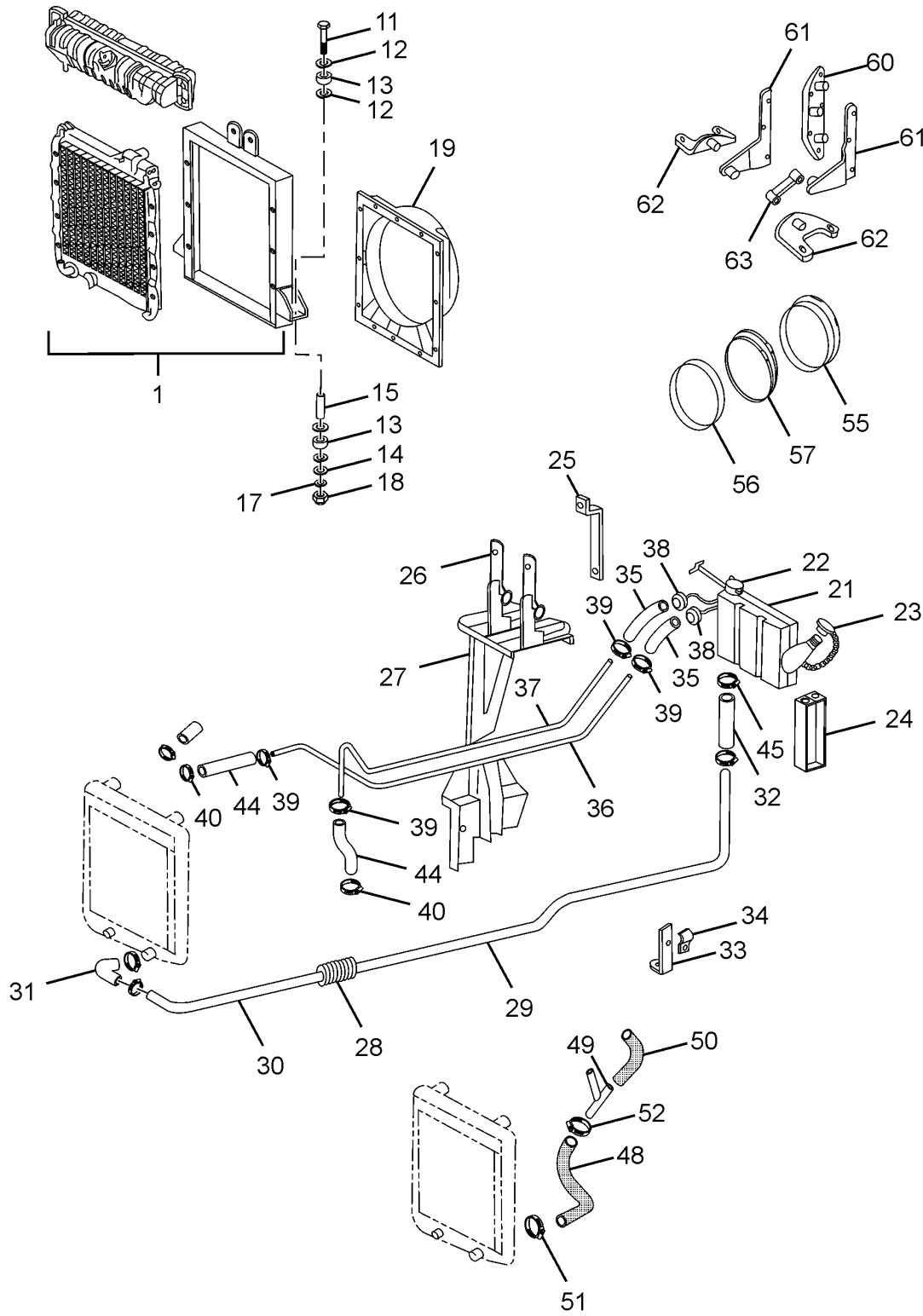
49.49.01		EXHAUST SYSTEM		GROUP 49
CHASSIS TYPE: ALL				
FIG. NO.	PART NUMBER	DESCRIPTION	QTY	REMARKS
1	276349200123	EXHAUST BRAKE UNIT	1	
2	276349205301	GASKET	2	
3	280949200105	ASSY. BRACKET	1	
5	263249105301	GASKET	1	
6	277054249904	ASSY. MAGNETIC VALVE -24V	1	
13	280949200135	ASSY.EXHAUST PIPE FIRST	1	
14	280949200138	ASSY. EXHAUST PIPE COMPLETE	1	
		SECOND		
15	280949100101	ASSY. MUFFLER(NT1)	1	
16	280949200139	ASSY.EXHAUST PIPE (INTERMEDIATE)	1	
18	280949206913	EXHAUST TAIL PIPE	1	
-	280949200102	ASSY. BRACKET (EXHAUST -TAIL PIPE MTG.)	1	
		FIRST SUPPORT AT ENGINE CROSS MEMBER REAR		
19	280949203303	BRACKET	1	
20	257649208205	PIPE CLAMP	1	
21	257649009202	WASHER	2	
22	257649007502	RUBBER BUFFER	2	
23	257649006902	TUBE	1	
		SUPPORT BEFORE SILENCER		
24	280949203301	BRACKET (EXHAUST -MTG.)	1	
20	257649208205	PIPE CLAMP	1	
25	275249204201	PIPE CLAMP	1	
21	257649009202	WASHER	2	
22	257649007502	RUBBER BUFFER	2	
23	257649006902	TUBE	1	
		SILENCER MOUNTING		
-	280949203301	BRACKET (EXHAUST -MTG.)	1	
-	280949208203	CLAMP (SILENCER MTG,)	2	
29	280949200104	ASSY. BRACKET	1	
25	275249204201	PIPE CLAMP	1	
21	257649009202	WASHER	4	
22	257649007502	RUBBER BUFFER	4	
23	257649006902	TUBE	2	
31	280949208253	CLAMP (EXHAUST MUFFLER MTG.)	1	

CHASSIS TYPE: ALL



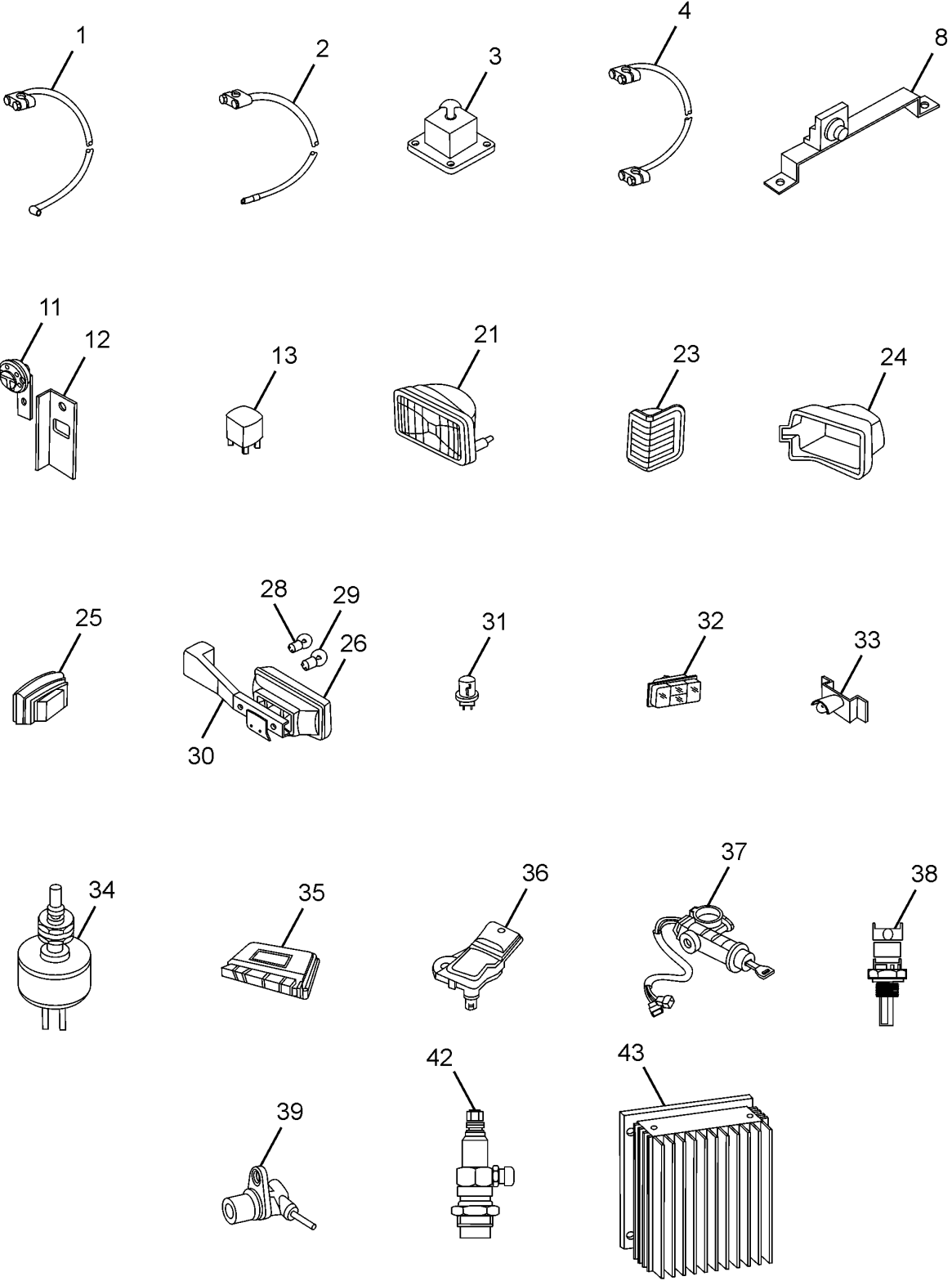
50.50.01		RADIATOR		GROUP 50
CHASSIS TYPE: ALL				
FIG. NO.	PART NUMBER	DESCRIPTION	QTY	REMARKS
1	252550100349	RADIATOR ASSY-TATA TOYO	1	
11	11063898165	HEX BOLT M 16X85	2	
12	257450009202	WASHER (47DIA)	4	
13	252550006301	RUBBER BUFFER	4	
14	12460501707	BRIGHT WASHER 17	2	
15	257450006904	SPACER TUBE (35 LONG)	2	
17	12520696031	SPRING WASHER B 16	2	
18	12051596020	HEX NUT M 16	2	
19	252550506327	FAN SHROUD	1	
21	278650100393	ASSY. AUX. WATER TANK(WITH METAL CAP)	1	
22	252750108242	ASSY. PRESSURE VALVE CAP (7 PSI)	1	
23	252750108243	ASSY. PRESSURE VALVE CAP (14 PSI)	1	
24	252550109925	RUBBER STRAP (L=325)	4	
25	252750100214	ASSY. CLAMP FRONT	2	
26	252750108225	CLAMP REAR	2	
27	278650010103	ASSY. BRACKET (AUX. WATER TANK MOUNTING)	1	
28	252550005847	RUBBER HOSE (AUX. WATER TANK TO WATER FI	1	
29	278650116928	WATER FILL PIPE (ON AUX.WATER TANK)	1	
30	278650116929	WATER FILL PIPE (ON RADIATOR BOTTOM)	1	
31	252550005848	RUBBER HOSE (WATER FILL PIPE TO RAD.)	1	
32	252550005841	REDUCER HOSE	1	
33	278650100317	ASSY. BRACKET (FOR WATER FILL PIPE)	1	
34	278650100316	ASSY. CLAMP (FOR WATER FILL PIPE)	1	
35	252550005844	REDUCER HOSE (FOR ENGINE & RADIATOR VENT	2	
36	278650116957	VENT TUBE(RAD.TO AUX.TANK)	1	
37	252550106968	VENT TUBE (AUX.WATER TANK TO U.C.W.LINE)	1	
38	14280500306	HOSE CLAMP 30 IS4762-SS8451S2-Y	2	
39	14280500209	HOSE CLAMP 20 IS4762 SS8451-8B	4	
40	14270201700	HOSE CLAMP 17	1	
44	252550005843	RUBBER HOSE (FOR VENTNG)	2	

CHASSIS TYPE: ALL



50.50.01		RADIATOR		GROUP 50	
CHASSIS TYPE: ALL					
FIG. NO.	PART NUMBER	DESCRIPTION	QTY	REMARKS	
45	14280500454	HOSE CLAMP 45	4		
48	252550005846	HOSE (RAD. TO W.P.)	1		
49	252550100365	ASSY. CONNECTOR (RADIATOR TO WATER PUMP)	1		
50	252550005845	HOSE (RADIATOR TO WATER PUMP)	1		
51	14280598217	HOSE CLAMP TB-54	1		
52	14280599264	HOSE CLAMP TB-34	1		
55	252520143839	FAN SHROUD RING	1		
56	252550507709	RUBBER RING (BETWEEN FAN RING & SHROUD)	1		
57	252550504201	HOSE CLAMP (610 MM ID)	2		
60	252550000239	ASSY.BRACKET-LH (RADIATOR FRAME SIDE MTG)	1		
60	252550000240	ASSY.BRACKET-RH (RADIATOR FRAME SIDE MTG)	1		
61	252550000223	BRACKET-LH(RAD FRAME SIDE MTG)	1		
61	252550000224	BRACKET-RH (RAD FRAME SIDE MTG)	1		
62	252550000256	BRACKET-LH(RADIATOR FRAME SIDE MTG)	1		
62	252550000257	BRACKET-RH(RADIATOR FRAME SIDE MTG)	1		
63	278650000250	ASSY RUBBER BUSH (RAD FRAME SIDE MTG)	2		
	3129952420	CLAMP (DIPSTICK MTG ON RADIATOR FRAME)	1		

CHASSIS TYPE: ALL



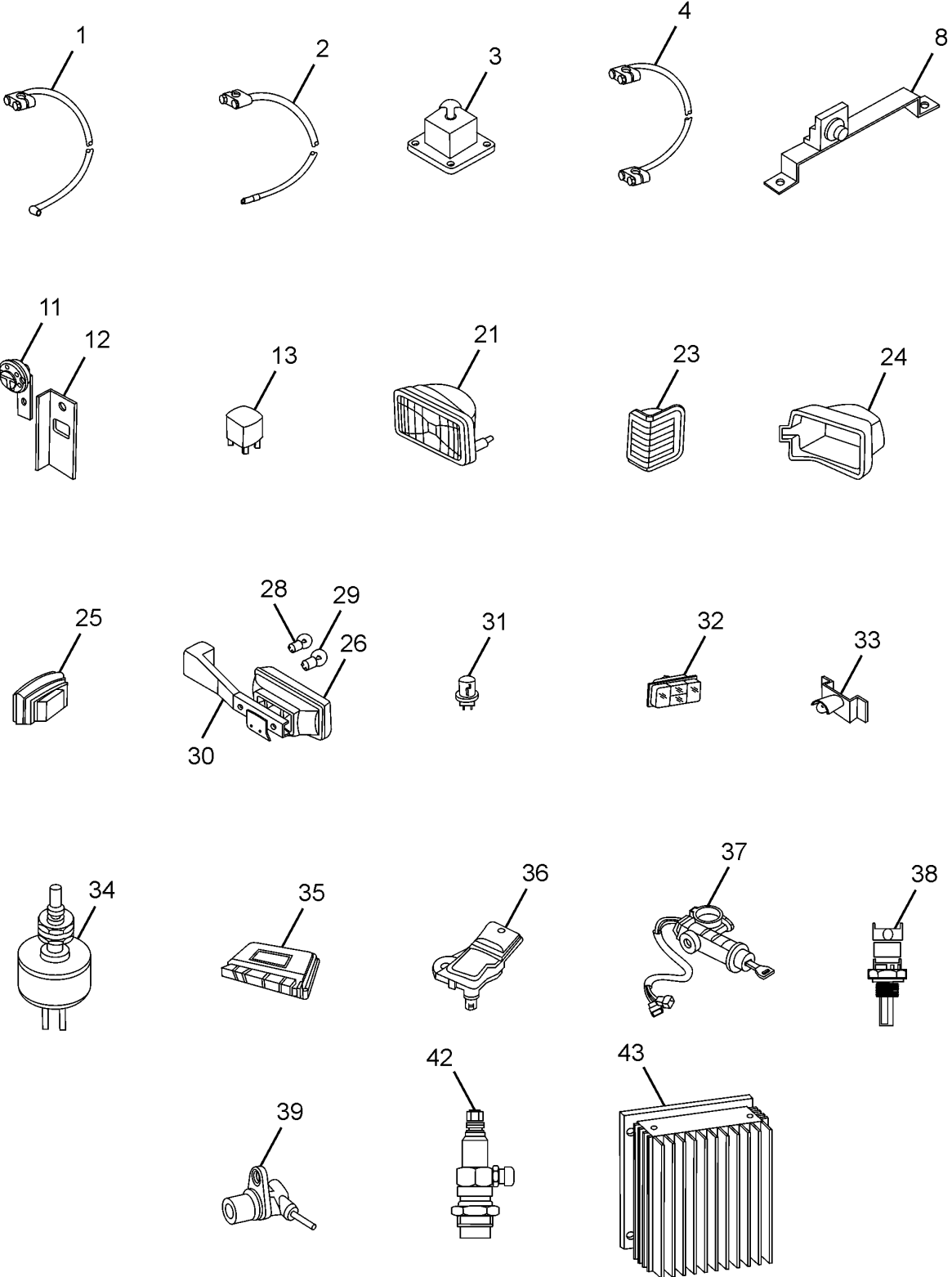
54.54.01		LIGHT AND SIGNAL (TILT CAB)		GROUP 54
CHASSIS TYPE: ALL				
FIG. NO.	PART NUMBER	DESCRIPTION	QTY	REMARKS
1	264354100137	ASSY BATT.CABLE +VE,W/COT,455MM, 70SQ.MM	1	
2	264354100138	ASSY BATT.CABLE -VE W/COT,2275MM 70SQ.MM	1	
3	257354509931	BATTERY CUT-OFF SWITCH	1	
4	277854100129	ASSY BATTERY CABLE LINK (70mm2) 305MM LG	1	
8	277054209906	ASSY. HIGH TEMP. SENSING BUZZER	1	
11	261854249911	HORN (LOW TONE) 24 V	1	
12	280954208202	ASSY. BRACKET (HORN MTG.)	1	
13	260854549902	RELAY (WITH RESISTOR) 24 V	1	
	275454200101	ASSY. BRACKET FOR STARTER RELAY	1	
21	264154440122	ASSY. HEAD LAMP E-CERT. WBULBS LH,W/T LEV.MOTOR	1	
21	264154440121	ASSY. HEAD LAMP E-CERT. WBULBS RH,W/T LEV.MOTOR	1	
23	270754440115	BLINKER LAMP WITH BULB LH-24 V	1	
23	270754440114	BLINKER LAMP WITH BULB RH-24 V	1	
24	264181100178	HEAD LAMP DOME LH	1	
24	264181100181	HEAD LAMP DOME RH	1	
25	280954440107	ASSY. CAB LAMP	1	
26	280954440101	ASSY. TAIL LAMP WITH BULB LH	1	
26	280954440102	ASSY. TAIL LAMP WITH BULB RH	1	
28	62120510105	LAMP 24V 10W M24/4 BA15S	4	
29	62120520046	LAMP 24V, 21W D24/1 BA15S	1	
30	280954400105	ASSY. TAIL LAMP BRACKET RH	1	
30	280954400106	ASSY. TAIL LAMP BRACKET LH	1	
31	283954440107	END OUTLINE MARKER LAMP	2	
32	264354440123	ASSY.SIDE IND.LH 24V E'CERT(CAT-6)JAY SW	1	
32	264354440124	ASSY.SIDE IND.RH 24V E'CERT(CAT-6)JAY SW	1	
33	283954400102	ASSY. ENGINE LAMP 24V	1	
34	257454509953	MECH. STOP LIGHT SWITCH	1	
35	264154209960	ECU FOR VP37 EURO-III SYSTEM M/S.MICO	1	
36	264154209961	BOOST PRESSURE/TEMP SENSOR M/S.MICO	1	
37	264154500106	IGNITION CUM STEERING LOCK	1	
38	264154209962	WATER TEMP SENSOR M/S.MICO	1	

54.54.01

LIGHT AND SIGNAL (TILT CAB)

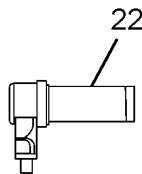
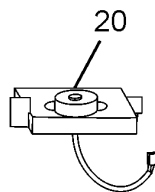
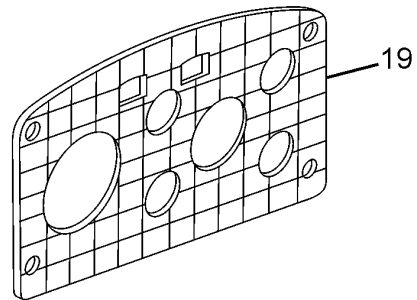
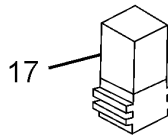
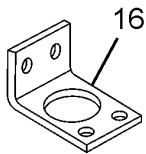
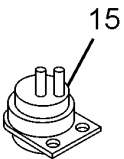
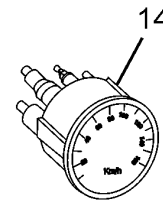
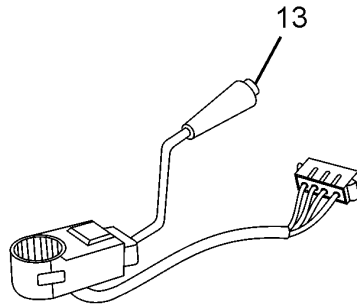
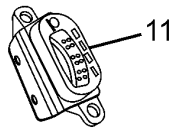
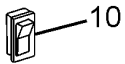
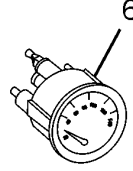
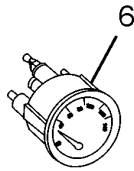
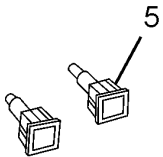
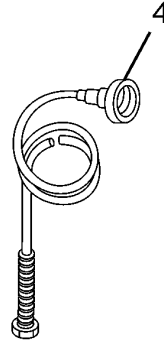
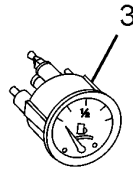
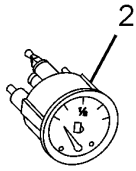
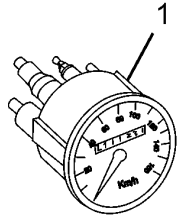
GROUP 54

CHASSIS TYPE: ALL



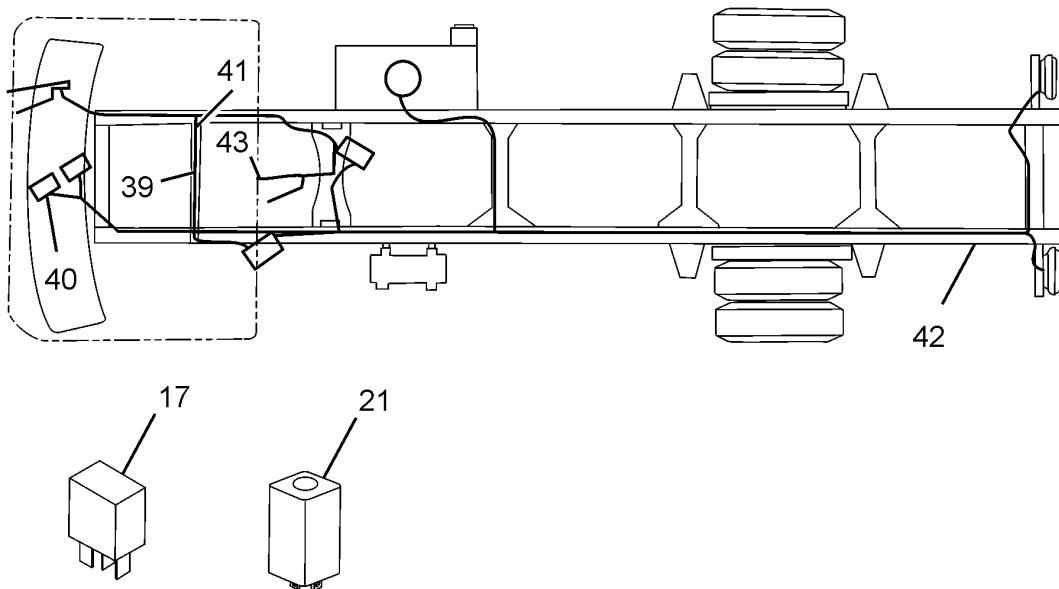
54.54.01		LIGHT AND SIGNAL (TILT CAB)		GROUP 54	
CHASSIS TYPE: ALL					
FIG. NO.	PART NUMBER	DESCRIPTION	QTY	REMARKS	
39	284254209907	VEHICLE SPEED SENSOR-VDO	1		
	270754249920	FLAME GLOW PLUG CONTROLLER 24V M/S.BERU	1		
42	264354249909	FLAME GLOW PLUG (24V)-M/S.BERU	1		
43	284954209910	DC-DC CONVERTER (20Amp)	1		
	280954200106	BKT. DC-DC CONVERTER LPT1618 LHD RUSSIA	1		

CHASSIS TYPE: ALL



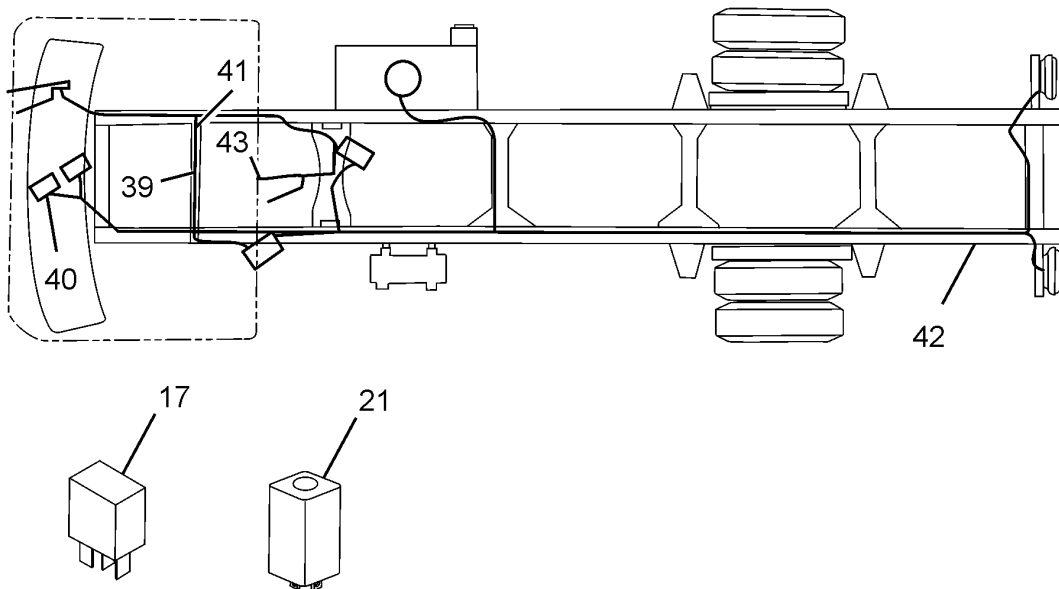
54.54.02		INSTRUMENTS (TILT CAB)		GROUP 54
CHASSIS TYPE: ALL				
FIG. NO.	PART NUMBER	DESCRIPTION	QTY	REMARKS
1	283954249902	SPEEDOMETER (1:0.88) BACKLIT, 24 V	1	
2	270754249912	FUEL GAUGE (BACKLIT), 24 V	1	
3	270754249911	TEMPERATURE GAUGE (BACKLIT), 24 V	1	
4	278054209905	ASSY. SPEEDOCABLE (JIS) 3600 MM	1	
5	284954441601	ASSY. WARNING LAMP (24V)	1	
6	264154249902	AIR PRESSURE GAUGE (24V)	2	
-	257454509957	LOW PRESSURE INDICATOR SWITCH	3	
8	284954200105	ELECTRONIC CONTROL UNIT,24V,ABS-E WABCO	1	
10	270654506901	PIANO KEY SWITCH (FOG LAMP)	1	
	264154506901	PIANO SW (EXHAUST BR.ON)	1	
	275454506918	PIANO KEY SW.- FRONT FOG LAMP	1	
	264354506902	PIANO SW ABS W/O CONN PROGRESSIVE ENGG.	1	
11	269854500111	HEAD LAMP LEVELLING SWITCH	1	
13	288454500101	ASSY. COMBI SWITCH	1	
14	283954249908	R.P.M.METER(24V,BAKLIT,1600-2200rpm)	1	
15	257354209960	BEEPER ALARM UNIT	1	
16	257354408201	BEEPER MTG. BRACKET	1	
17	270754249916	WIPER TIMER (24V)	1	
19	264168906377	INSTRUMENT PANEL	1	
—	257454509953	STOP LIGHT SWITCH	1	
20	265154200158	ELECTRIC BUZZER UNIT(24V)	1	
22	280854209908	SENSOR WHEEL SPEED M/s.WABCO	1	
	280954600112	ABS FRAME W/H M/S WABCO LPT1618LHD,24V	1	
	280854600118	W/H PIG TAIL ABS ECU(WABCO)	1	
	264354249904	ELECTROMAGNETIC VALVE 24V M/S.BERU	1	

CHASSIS TYPE: ALL



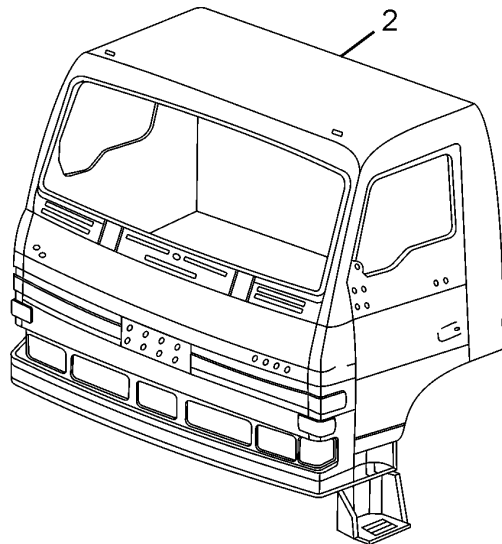
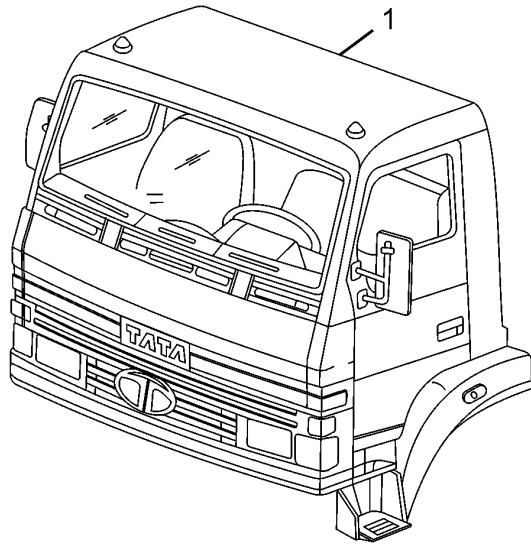
54.54.03		WIRING HARNESS		GROUP 54
CHASSIS TYPE: ALL				
FIG. NO.	PART NUMBER	DESCRIPTION	QTY	REMARKS
39	280954620119	W/H MAIN LPT-1618,LHD,24V,M/S MSSL	1	OPTIONAL
39	280954660101	W/H MAIN LPT-1618 LHD,24V M/S TATA-YAZAK	1	OPTIONAL
40	280954620120	W/H ENGINE LPT-1618 M/S MSSL	1	OPTIONAL
40	280954660102	W/H ENGINE LPT-1618, LHD M/S TATA YAZAK	1	OPTIONAL
41	280954620123	W/H INST.CONSOLE LPT1618,LHD,M/S MSSL	1	OPTIONAL
41	280954660105	W/H INST.CONSOLE LPT1618,LHD,M/STATA YAZ	1	OPTIONAL
42	280954620121	W/H TAIL LPT-1618,LHD,24V M/S MSSL	1	OPTIONAL
42	280954660103	W/H TAIL, LPT-1618 ,LHD,M/S TATA YAZAKI	1	OPTIONAL
43	278054600113	WIRING HARNESS ROOF	1	OPTIONAL
—	280954620104	WIRING HARNESS PARKING SWITCH AND SEAT BELT SWITCH	1	OPTIONAL
	280954620124	W/H PIGTAIL(BLOCK HEATER)LPT1618 MSSL.	1	OPTIONAL
	280954660106	W/H PIGTAIL(BLOCK HEATER)M/S TATA YAZAKI	1	OPTIONAL
	280854660106	W/H PIG TAIL(FEEDPUMP) YAZAKI	1	
	280954620125	W/H LOW AIR PR.SW M/S MSSL LPT1618,LHD	1	OPTIONAL
	280954660107	W/H LOW AIR PR.SW.M/S TATA YAZAKI	1	OPTIONAL
	280954601613	W/H WATER SEPARATER HEATER OFFER	1	
	280954601622	W/H PIGTAIL FOR AIR DRYER HEATER-OFFER	1	
	280954620122	W/H SENSOR,LPT-1618,LHD,24V,M/S MSSL	1	
	280954660104	W/H SENSOR,LPT-1618,LHD,24V,M/S TATA-YAZ	1	
17	284254209916	MICRO RELAY 12V/20A (BLACK)	1	
21	283954209906	FRONT WIPER CONTROLLER 24V	1	
	261854444606	FLASHER - 24V	1	
	264354249906	STARTER RELAY (GREEN)	1	
	264154200159	RELAY BASE MOUNTING BRACKET	1	
	264154200160	COVER - RELAY AND FUSE	1	

CHASSIS TYPE: ALL



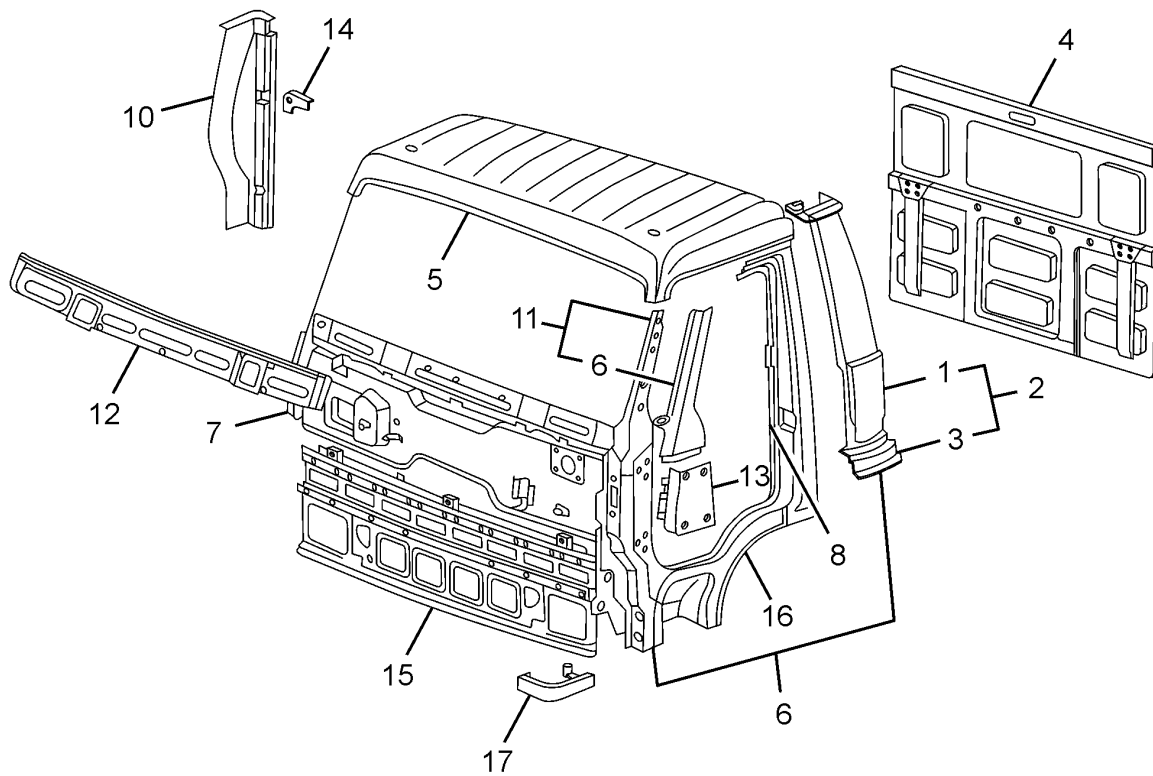
54.54.03		WIRING HARNESS		GROUP 54	
CHASSIS TYPE: ALL					
FIG. NO.	PART NUMBER	DESCRIPTION	QTY	REMARKS	
	0005461741	TERMINAL STRIP	1		
	277854606301	BASE PLATE (TERMINAL STRIP)	1		
	264354249905	MICRO RELAY 24V NO/NC (GREEN)	1		
	263254204602	MICRO RELAY 12V/20A W DIODE (BLACK)	1		
	277054244601	MICRO RELAY 24V/10A W RESISTOR (YELLOW)	10		
	260854549902	RELAY (C/O), 24V/15A W RESISTOR (YELLOW)	1		

CHASSIS TYPE: ALL



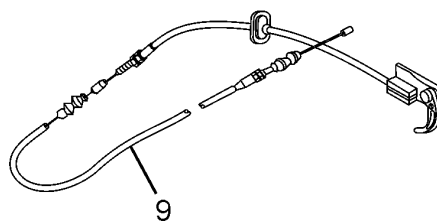
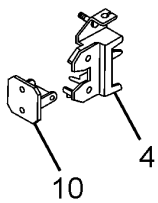
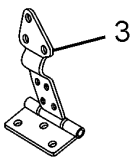
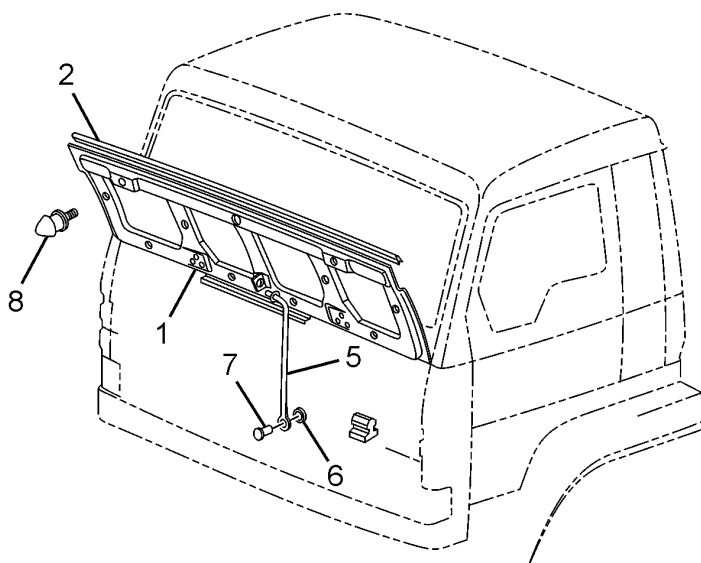
60.60.01		NON SLEEPER CAB (TILT CAB)		GROUP 60
CHASSIS TYPE: ALL				
FIG. NO.	PART NUMBER	DESCRIPTION	QTY	REMARKS
1	274760010141	ASSY.CAB COMPLT.-LHD (NS W/E-III & HTG.)	1	
2	274760010142	ASSY.BODYSHELL PAINTED-LHD (W/HTG.E-III)	1	

CHASSIS TYPE: ALL



60.60.02		CAB SHEET METAL (TILT CAB)		GROUP 60
CHASSIS TYPE: ALL				
FIG. NO.	PART NUMBER	DESCRIPTION	QTY	REMARKS
1	274763708206	PANEL OUTER REAR RH	1	
1	274763708205	PANEL OUTER REAR LH	1	
2	274763100132	ASSY. OUTER PANEL WELDED LH	1	
2	274763100133	ASSY. OUTER PANEL WELDED RH	1	
3	274763708216	PANEL SIDE OUTER EXTENSION LH	1	
3	274763708217	PANEL SIDE OUTER EXTENSION RH	1	
4	274764700106	ASSY. REAR WALL	1	
5	274765700103	ASSY. ROOF PANEL	1	
6	274763100134	ASSY SIDE WALL OUTER LH	1	
6	274763100135	ASSY. SIDE WALL OUTER RH	1	
7	274760100158	ASSY. FIRE WALL AND INNER PANEL	1	
8	274763100128	ASSY. OUTER PANEL CORNER TOP LH	1	
8	274763100129	ASSY. OUTER PANEL CORNER TOP RH	1	
10	274763600107	ASSY. PANEL INNER CORNER REAR LH	1	
10	274763600108	ASSY. PANEL INNER CORNER REAR RH	1	
11	274763100150	ASSY. DOOR POST FRONT LH	1	
11	274763100151	ASSY. DOOR POST FRONT RH	1	
12	274760100131	ASSY. PANEL OUTER W/S BOTTOM	1	
13	274781100108	ASSY. COVER LH (PANEL OUTER CORNER FRONT)	1	
13	274781100109	ASSY. COVER RH (PANEL OUTER CORNER FRONT)	1	
14	264160108268	SUPPORT CENTRE END LH	1	
14	264160108269	SUPPORT CENTRE END RH	1	
15	274760100103	ASSY. SUPPORT FRONT GRILL	1	
16	274763100126	ASSY. STEP PANEL OUTER LH	1	
16	274763100127	ASSY. STEP PANEL OUTER RH	1	
17	274760100101	ASSY. PANEL CORNER BOTTOM LH	1	
17	274760100102	ASSY. PANEL CORNER BOTTOM RH	1	

CHASSIS TYPE: ALL



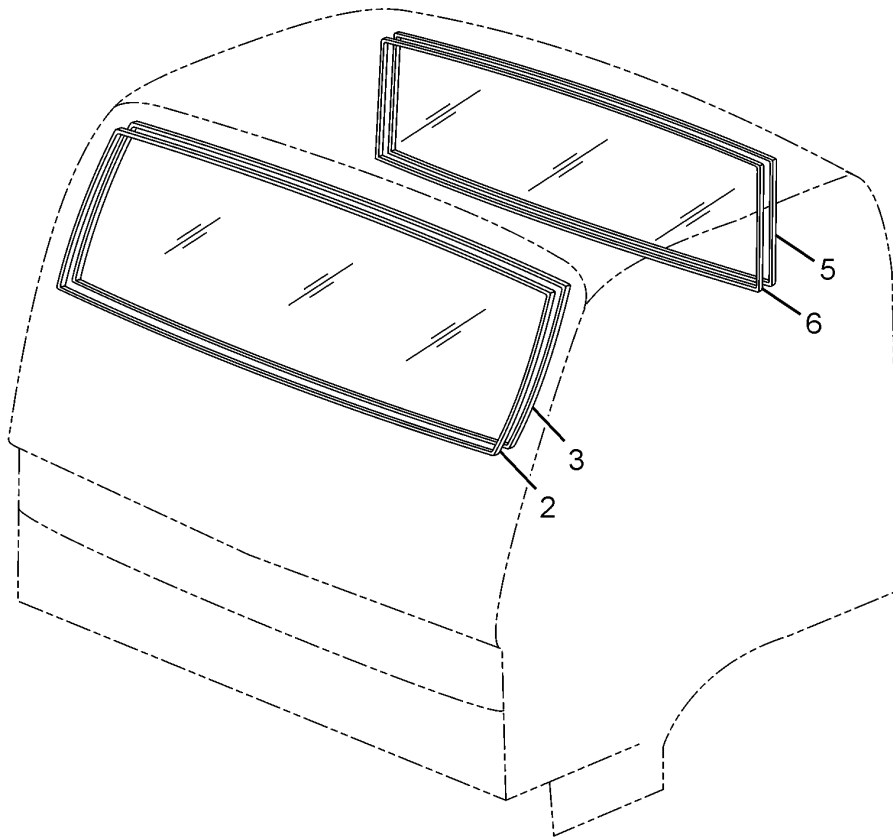
60.60.03		CENTRE FLAP (TILT CAB)		GROUP 60
CHASSIS TYPE: ALL				
FIG. NO.	PART NUMBER	DESCRIPTION	QTY	REMARKS
1	267375100101	ASSY. CENTRE FLAP	1	
2	264181106323	BEADING (FRONT -PANEL)	1	
3	264175200116	ASSY. HINGE (CENTRE FLAP)	2	
4	264175200107	ASSY. LOCK (CENTRE FLAP)	2	
5	264175200119	ASSY. STAY ROD	1	
6	264175206306	BUSH (CENTRE FLAP STAY ROD)	1	
7	264175106706	PIN (CENTRE FLAP STAY ROD)	1	
8	265188700113	ASSY. RUBBER BUFFER	2	
9	264175200136	ASY.REL.CABLE COM.(C/FLAP)LHD COLD APPL.	1	
10	264175200122	ASSY. STRIKER (CENTRE FLAP)	1	

60.67.01

WIND SHIELD GLASS (LAMINATED)

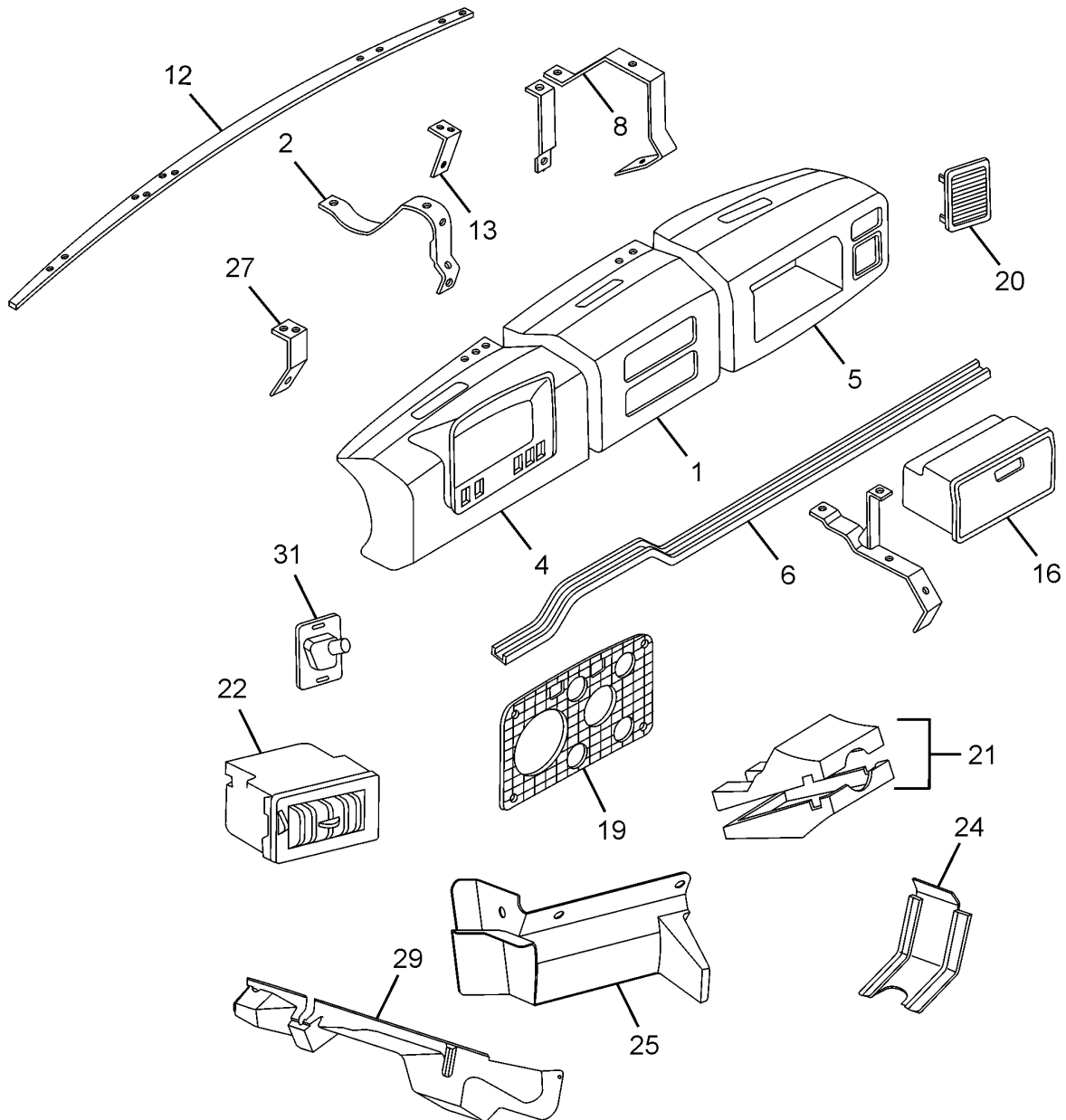
GROUP 67

CHASSIS TYPE: ALL



60.67.01		WIND SHIELD GLASS (LAMINATED)		GROUP 67
CHASSIS TYPE: ALL				
FIG. NO.	PART NUMBER	DESCRIPTION	QTY	REMARKS
2	274767102301	WINDSHIELD GLASS (LAMINATED 'E' CERTIFIED)	1	
3	264167106305	RUBBER MOULD (LAMINATED WINDSHIELD GLASS)	1	
5	264167806301	RUBBER MOULD (REAR WINDOW FOR TRUCK)	1	
6	265167802302	GLASS PANE REAR WINDOW	1	

CHASSIS TYPE: ALL



60.68.01		DASHBOARD (TILT CAB)		GROUP 68
CHASSIS TYPE: ALL				
FIG. NO.	PART NUMBER	DESCRIPTION	QTY	REMARKS
	264168910118	ASSY.DASH BOARD COMPLT.-LHD (LPT-610EX)	1	
1	264168906371	DASHBOARD CENTRE(GREY PIGMENTED)-LHD	1	
2	264168908236	REINFORCEMENT MIDDLE-LH	1	
2	264168908237	REINFORCEMENT MIDDLE-RH	1	
4	274768906310	DASHBOARD-LH (LHD)	1	
5	264168906373	DASHBOARD RH	1	
6	274768908205	REINFORCEMENT (FRONT)	1	
—	264168900131	ASSY. REINFORCEMENT INSIDE (GLOVE BOX)	1	
8	264168900132	ASSY. REINFORCEMENT OUTSIDE (GLOVE BOX)	1	
12	264168900135	ASSY. REINFORCEMENT TOP	1	
13	264168900147	ASSY. BRACKET (DASHBOARD MTG.)	2	
—	265183106336	ELBOW DUCT (FOR VENT NOZZLE)	2	
16	264168900195	ASSY. GLOVE BOX COMPLETE	1	
19	264168906377	INSTRUMENT PANEL	1	
20	264168906367	SPEAKER GRILL(GREY PIGMENTED)	2	
21	264168910127	ASSY.KIT FOR NACELLE WITH CUT	1	
22	264168900151	ASSY VENTILATION NOZZLE	4	
24	264183106337	COVER HAND BRAKE BRACKET	1	
25	264181906342	COVER DRIVER SIDE DASH BOARD LH LHD	1	
27	264168900114	ASSY. BRACKET RH	1	
29	264183106335	COVER (HEATING UNIT)	1	
31	264168906364	COVER BRAKE FLUID BOTTLE(GREY PIGMENTED)	1	
	265168916331	GARNISH-RH (SIDE DEFROST)	2	
	265168916330	GARNISH (MIDDLE DEFROST)	1	
	264168906369	GARNISH SIDE FLOW(GREY PIGMENTED)	6	
	264168906368	GARNISH CENTER FLOW(GREY PIGMENTED)	2	

60.69.01

FLOOR MAT, LINING, PADDING

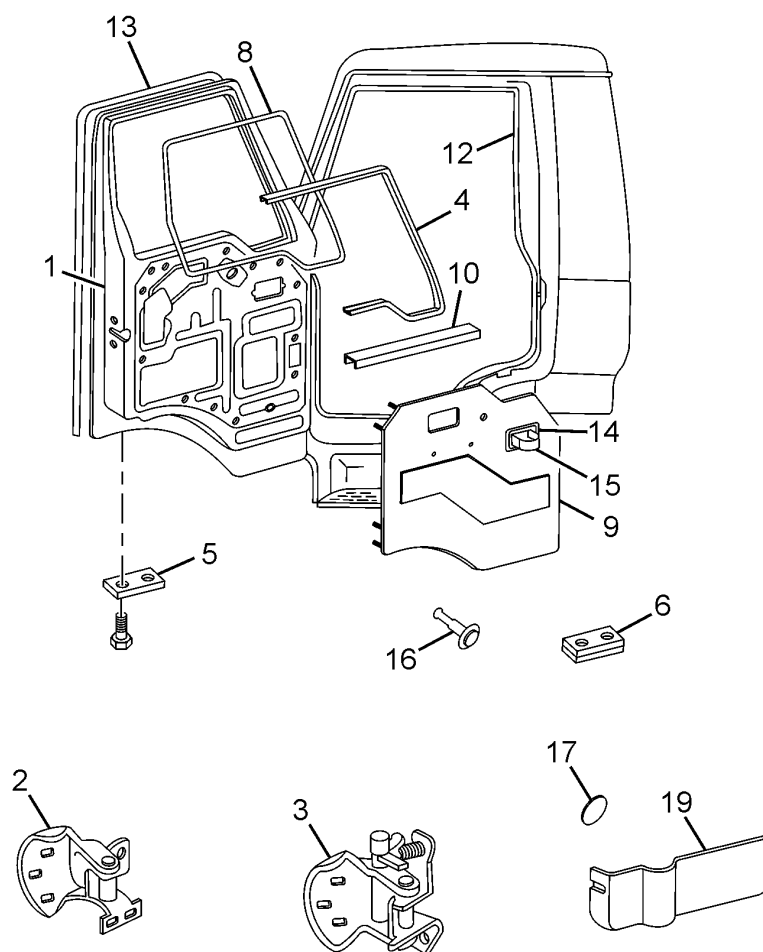
GROUP 69

CHASSIS TYPE: ALL

NO IMAGE

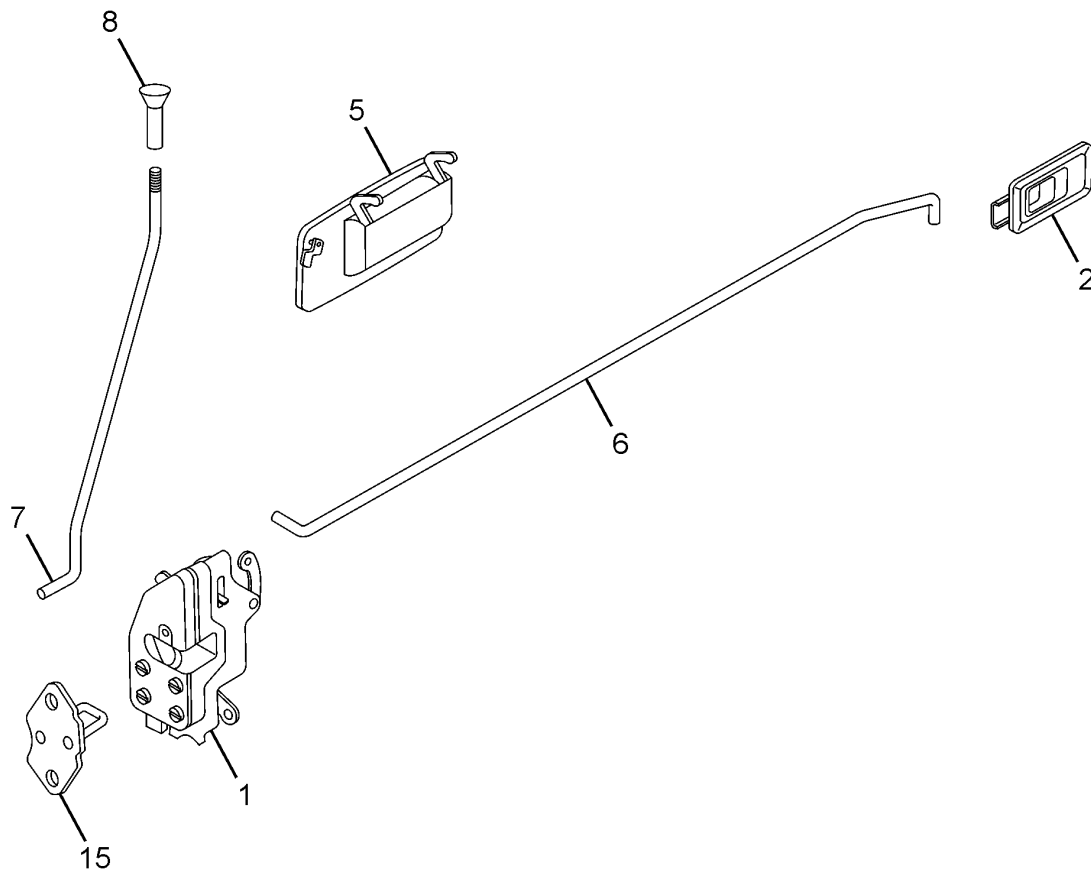
60.69.01		FLOOR MAT, LINING, PADDING		GROUP 69
CHASSIS TYPE: ALL				
FIG. NO.	PART NUMBER	DESCRIPTION	QTY	REMARKS
	274768400114	ASSY FLOOR MAT SET & FELT-LHD (HEATING)	1	
	274769506303	MOULDED ROOF LINING (HCV-NON SLPR CAB)	1	
	274768400111	CARPET FELT KIT	1	
	264169702501	ROOF BEADING	1	
	265468806308	MAT.	1	

CHASSIS TYPE: ALL



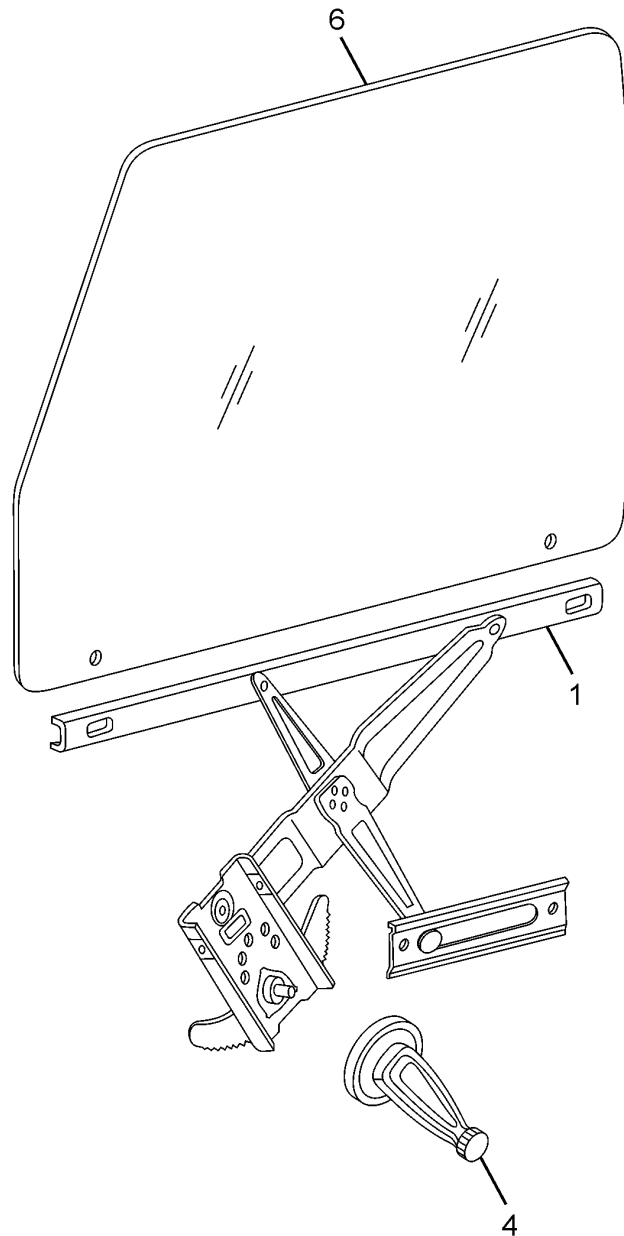
60.72.01		DOOR (TILT CAB)		GROUP 72	
CHASSIS TYPE: ALL					
FIG. NO.	PART NUMBER	DESCRIPTION	QTY	REMARKS	
1	264172200142	ASSY. DOOR SHELL LH	1		
1	274772200105	ASSY. DOOR SHELL RH	1		
2	264172300111	ASSY. HINGE TOP LH (DOOR)	1		
2	264172300112	ASSY. HINGE TOP RH (DOOR)	1		
3	264172300118	ASSY. HINGE BOTTOM LH (DOOR)	1		
3	264172300119	ASSY. HINGE BOTTOM RH (DOOR)	1		
4	264172200113	ASSY. GUIDE CHANNEL LH	1		
4	264172200114	ASSY. GUIDE CHANNEL RH	1		
5	264172300124	ASSY. DOVETAIL BOTTOM (DOOR)	2		
6	264172306303	DOVETAIL BOTTOM (BODY SIDE)	2		
8	264172502501	VELVET CHANNEL	2		
9	264172700103	ASSY. PADDING DOOR LH	1		
9	264172700104	ASSY. PADDING DOOR RH	1		
10	264172500104	ASSY.WEATHER STRIP LH	2		
10	264172500103	ASSY.WEATHER STRIP RH	2		
12	264172300122	ASSY. SEALING MOULD LH (OUTER)	1		
12	264172300123	ASSY. SEALING MOULD RH (OUTER)	1		
13	264172300137	ASSY. SEALING INNER LH	1		
13	264172300138	ASSY. SEALING INNER RH	1		
14	265172506321	HOUSING (ASH TRAY)	2		
15	265468900189	ASSY. ASH TRAY	2		
16	265472700103	ASSY. DOOR PAD CLIP	32		
	265172506316	GRAB HANDLE (DOOR)	2		
17	267881106305	REFLEX REFLECTOR DOOR	2		
19	265472706317	MAGAZINE POCKET LH	1		
19	265472706318	MAGAZINE POCKET RH	1		
	264172300140	DOOR STRAP COMPLETE	2		

CHASSIS TYPE: ALL



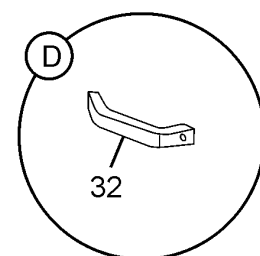
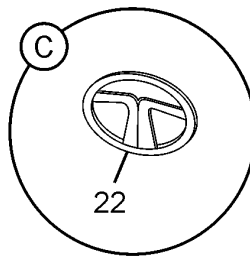
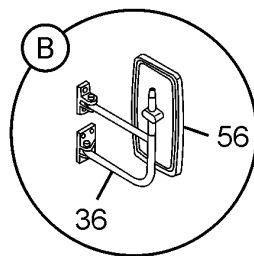
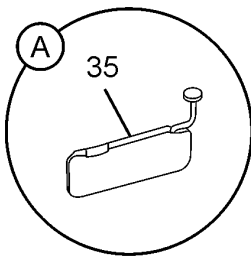
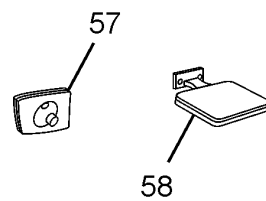
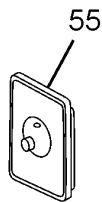
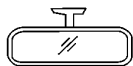
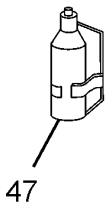
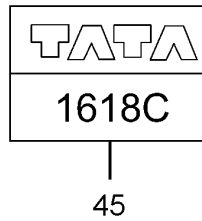
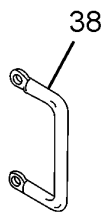
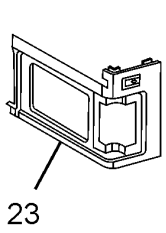
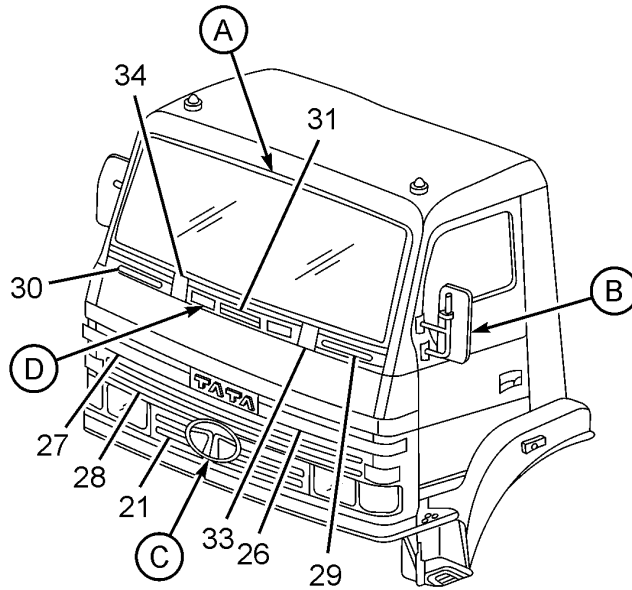
60.72.02		DOOR LOCK		GROUP 72	
CHASSIS TYPE: ALL					
FIG. NO.	PART NUMBER	DESCRIPTION	QTY	REMARKS	
1	264172300153	ASSY.DOOR LOCK COMPLT.-LH (COLD APPLN.)	1		
1	264172300154	ASSY.DOOR LOCK COMPLT.-RH (COLD APPLN.)	1		
	265472306313	SNAP CONNECTOR RH	3		
2	265872300127	ASSY. INNER HANDLE	2		
5	265472300125	ASSY. OUTER HANDLE RH	1		
5	265472300124	ASSY. OUTER HANDLE LH	1		
6	264172306004	LINK RH (INNER HANDLE)	1		
6	264172306005	LINK LH (INNER HANDLE)	1		
7	264172306007	LINK RH (POP UP KNOB)	1		
7	264172306006	LINK LH (POP UP KNOB)	1		
8	264172306302	KNOB (INNER LOCK)	2		
15	265472300212	ASSY. STRIKER (DOOR LOCK)	2		
		LOCK KITS			
	264172300132	KITS FOR LOCKS CONSISTING OF:	1		
		ASSY. OUTER DOOR HANDLE LH	1		
		ASSY.OUTER DOOR HANDL RH	1		
		ASSY. KEY	3		
		ASSY. GLOVE BOX LOCK	1		
		STEERING LOCK CUM IGNITION SWITCH	1		

CHASSIS TYPE: ALL



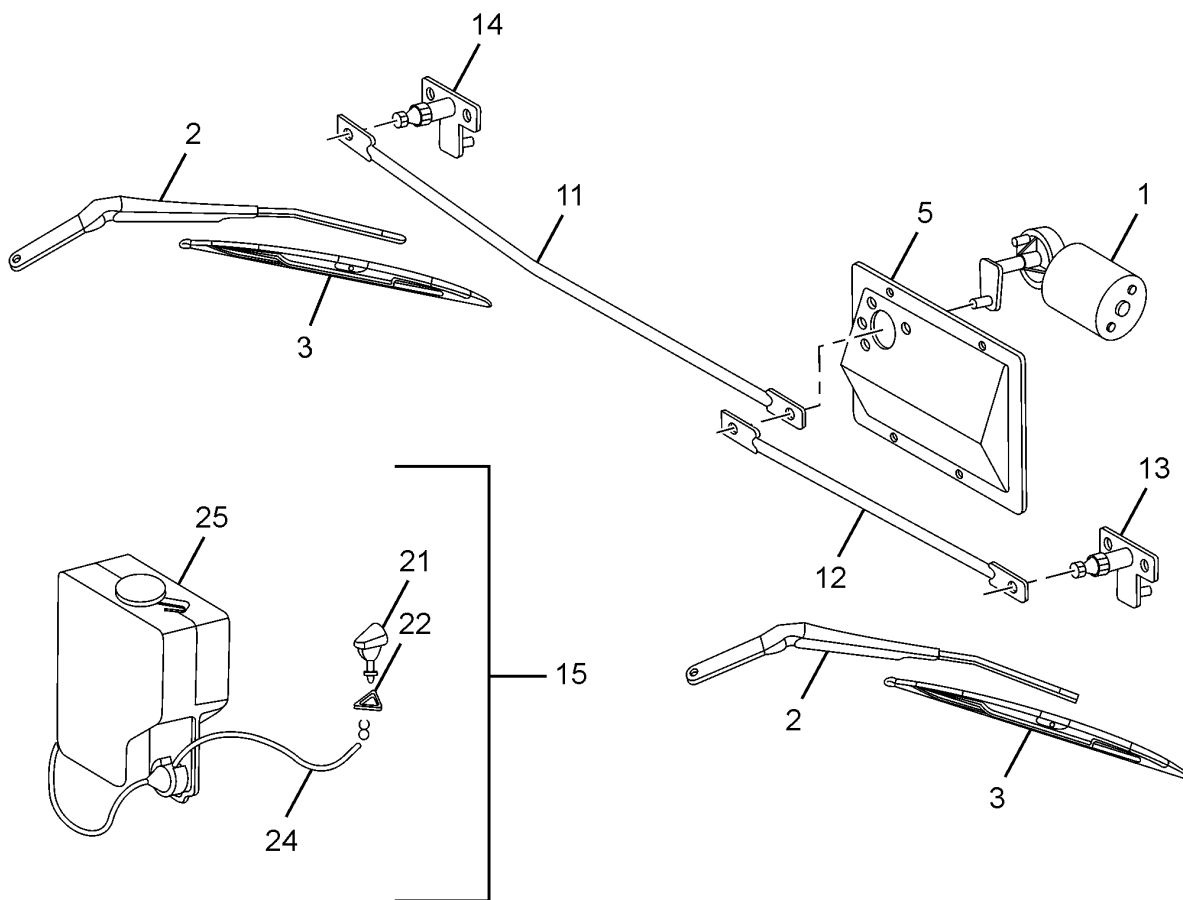
60.72.03		WINDING REGULATOR AND GLASS (TILT CAB)		GROUP 72	
CHASSIS TYPE: ALL					
FIG. NO.	PART NUMBER	DESCRIPTION	QTY	REMARKS	
1	264172500101	ASSY. WINDING REGULATOR LH	1		
1	264172500102	ASSY. WINDING REGULATOR RH	1		
4	265472300127	OFFER DRG.ASSY.HANDLE[WINDOW REGULATOR]	2		
6	274772502301	REGULATOR GLASS LH ("E" CERTIFIED)	1		
6	274772502302	REGULATOR GLASS RH ("E" CERTIFIED)	1		

CHASSIS TYPE: ALL



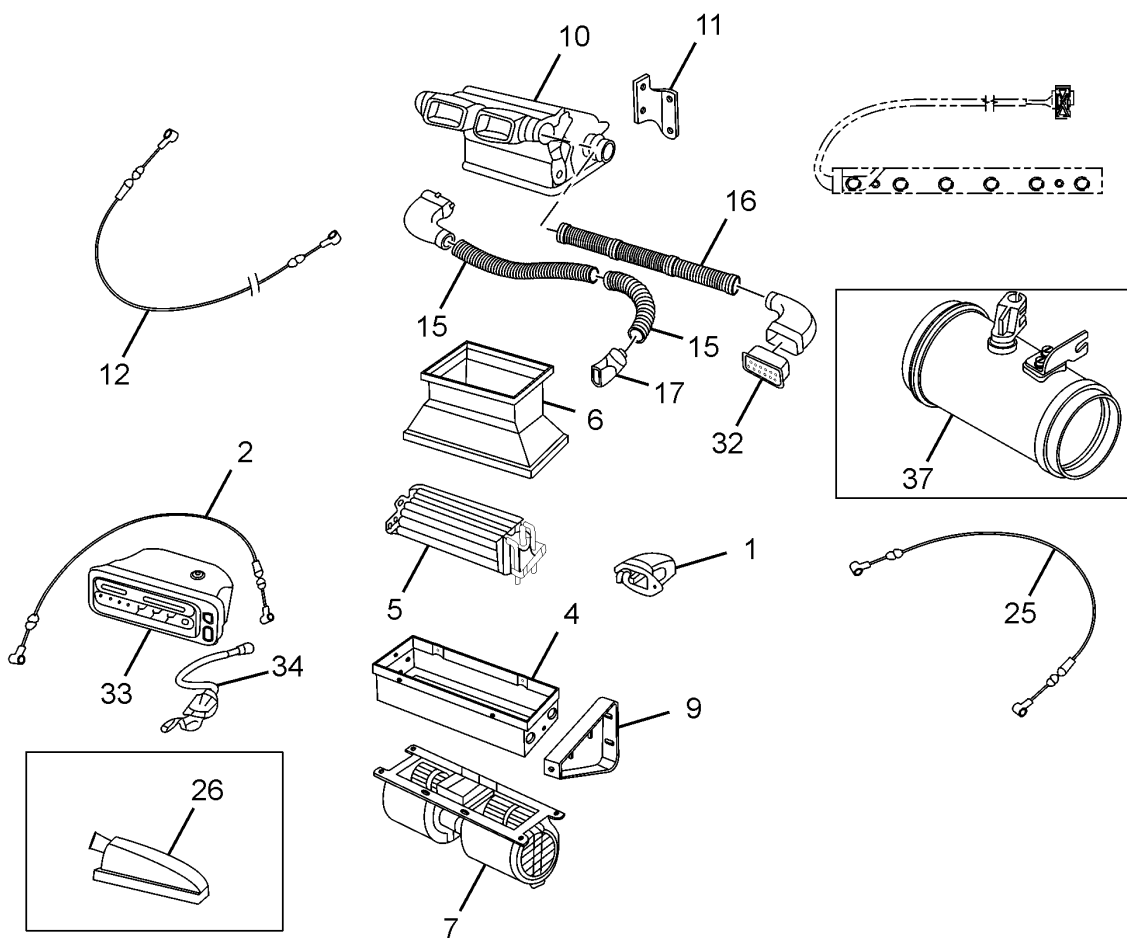
60.81.01		INTERNAL AND EXTERNAL FITMENTS (TILT CAB)		GROUP 81
CHASSIS TYPE: ALL				
FIG. NO.	PART NUMBER	DESCRIPTION	QTY	REMARKS
21	274781900107	ASSY CENTRE GRILL (FRONT) WITH 'T' EMBLEM	1	
22	268075200105	'T' EMBLEM OVAL STYLISED	1	
23	264181900102	ASSY. BAZZLE LH	1	
23	264181900101	ASSY. BAZZLE RH	1	
	264181900114	ASSY. COVER BAZZLE LH	1	
	264181900115	ASSY. COVER BAZZLE RH	1	
26	264181900169	ASSY. COVER SIDE LH CENTER FLAP	1	
27	264181900170	ASSY. COVER SIDE RH CENTER FLAP	1	
28	264181900168	ASSY. COVER MIDDLE CENTER FLAP	1	
29	264181906332	GRILL LH, W/S	1	
30	264181906333	GRILL RH, W/S	1	
31	264181906331	GRILL MIDDLE, W/S	1	
32	274781100107	ASSY. GRAB HANDLE	2	
33	264181100175	ASSY. COVER LH (CENTRE FLAP HINGE)	1	
34	264181100176	ASSY. COVER RH (CENTRE FLAP HINGE)	1	
35	257581100101	ASSY.SUNVISOR RH	1	
35	257581100102	ASSY.SUNVISOR LH	1	
36	274781100116	ASSY. FRAME COMPLETE, REAR VIEW MIRROR	1	
56	257681100153	REAR VIEW MIRROR OUTSIDE LH	1	
55	257681100152	REAR VIEW MIRROR OUTSIDE RH	1	
38	274781506901	GRAB HANDLE (ON FRONT POST)	4	
57	257681100146	ASSY. PROXIMITY MIRROR	1	
	264181106340	EX' DECAL, SILVER	1	
41	265181006304	LETTER `T'	2	
42	265181006305	LETTER `A'	2	
45	267981800104	ASSY. TATA 1618C MASCOT	1	
	264181106322	INNER BEADING	2	
	274788806301	BEADING (FRONT PANEL)	1	
	265881100119	ASSY. INNER HANDLE	1	
47	265486800101	ASSY.FIRE EXTINGUSHER COMPL. W/T MTG. BRKT.	1	
58	274781100119	ASSY. WIDE ANGLE MIRROR	1	

CHASSIS TYPE: ALL



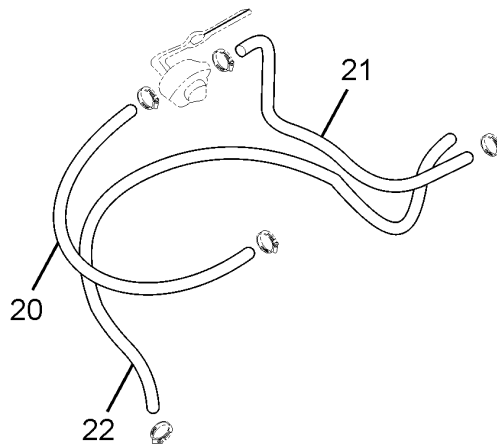
60.82.01		WIPER MOTOR AND LINKAGES (TILT CAB)		GROUP 82
CHASSIS TYPE: ALL				
FIG. NO.	PART NUMBER	DESCRIPTION	QTY	REMARKS
1	264182409950	17W -HI -POWER WIPER MOTOR(24V-2SPEED)	1	
2	264182400116	ASSY. WIPER ARM	2	
3	264182400163	ASSY. WIPER BLADE	2	
5	264182408201	ASSY. BRACKET (WIPER MOTOR MTG.)	1	
	264182407501	GASKET (BRACKET TO FIRE WALL)	1	
	264182400141	KIT FOR WIPER MOTOR CONSISTING OF :	1	
11		ASSY. LINK (792 MM LONG)	1	
12		ASSY. LINK (183 MM LONG)	1	
13		ASSY. WHEEL BOX (CO-DRIVER)	1	
14		ASSY. WHEEL BOX (DRIVER)	1	
		NUT (24 A/F)	2	
		CAP NUT (13 A/F)	2	
		CAPTIVE SCREW	4	
15	264182400143	KIT FOR ELEC. WIND SCREEN WASHER UNIT :	1	OPTIONAL
15	264182400145	KIT FOR ELEC. WIND SCREEN WASHER UNIT CONST. OF :	1	OPTIONAL
		ASSY. TWIN JET NOZZLE	1	
21		TWIN JET NOZZLE	1	
22		NOZZLE ADAPTOR	1	
		CLIP	1	
24		TUBE (1750 MM LONG)	1	
25		TANK	1	
		OMEGA CLIP	1	
		HOUSING (TERMINALS)	1	

CHASSIS TYPE: ALL



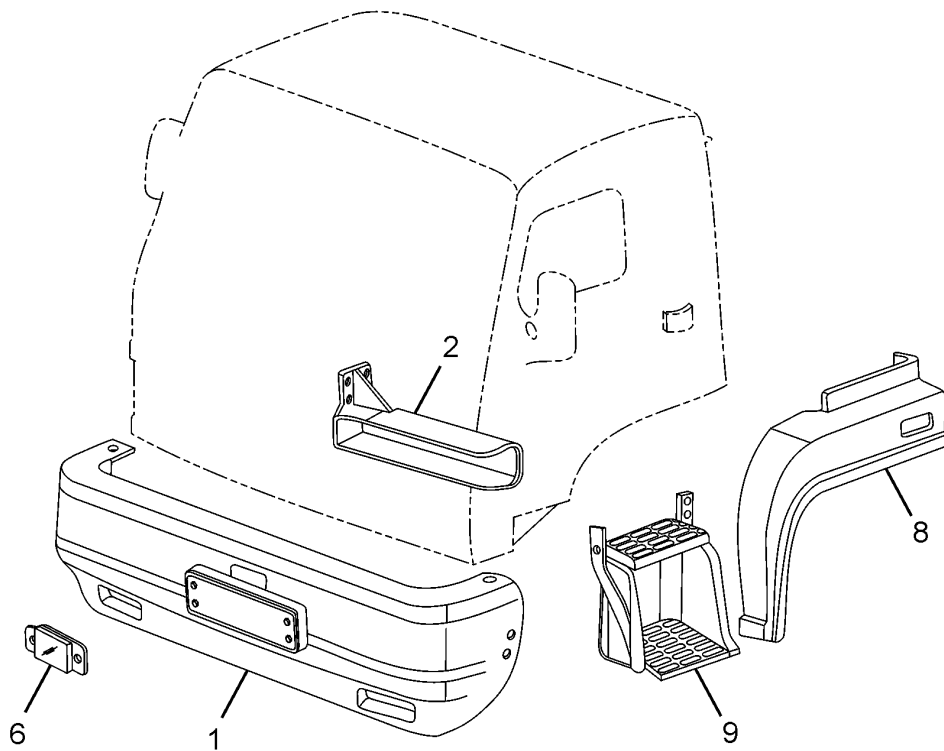
60.83.01		CAB HEATING		GROUP 83
CHASSIS TYPE: ALL				
FIG. NO.	PART NUMBER	DESCRIPTION	QTY	REMARKS
1	265983110124	ASSY.FRESH AIR VALVE RHD (W/O.ASSY.CABLE)	1	
2	265983300178	ASSY.PUSH PULL CABLE	1	
4	264183100130	ASSY. COIL HOUSING	1	
5	215483400101	ASSY. HEATER COIL COMPL.	1	
6	264183106324	ADAPTOR HOUSING PLENUM CHAMBER.	1	
7	270754740101	ASSY.TWIN BLOWER WITH MSSL TERS & HSG.24V	1	
—	265183400135	ASSY.STRIP (TWIN BLOWER MTG.)	2	
9	264183500105	ASSY. BKT.FOR COIL HSG.MTG. R.H.	1	
9	264183500106	ASSY. BKT.FOR COIL HSG. MTG. L.H.	1	
10	265183100111	ASSY.PLENUM CHAMBER COMPLETE - RHD	1	
11	264183100120	ASSY.BRACKET (PLENUM MTG.) RH	1	
11	264183100119	ASSY.BRACKET (PLENUM MTG.) LH	1	
12	265983300159	ASSY.PUSH PULL CABLE -BLACK	1	
15	265483106362	HOSE (LEG ROOM CONNECTOR)	2	
16	265483106322	HOSE [VENTILATION]	2	
17	265483106350	DIFFUSER(LEG ROOM VENTILATION)	2	
-	265483300177	HOSE CLAMP-25	6	
25	264183300108	ASSY.PUSH PULL CABLE `Z' TYPE	1	
26	265183306307	CONTROL COVER (LP-709) HTR	1	
32	265168900152	ASSY. VENTILATION NOZZLE	2	
33	264168910125	ASSY.CONTROL BRKT.COMPLT-HTR	1	
34	265454700159	BLOWER SWITCH	1	
-	264754620136	WIRING HARNESS BACK LIGHTING	1	
—	265983306338	CONTROL KNOB	4	
37	264183100137	ASSY LEG VENT LH	1	
37	264183100138	ASSY LEG VENT RH	1	

CHASSIS TYPE: ALL



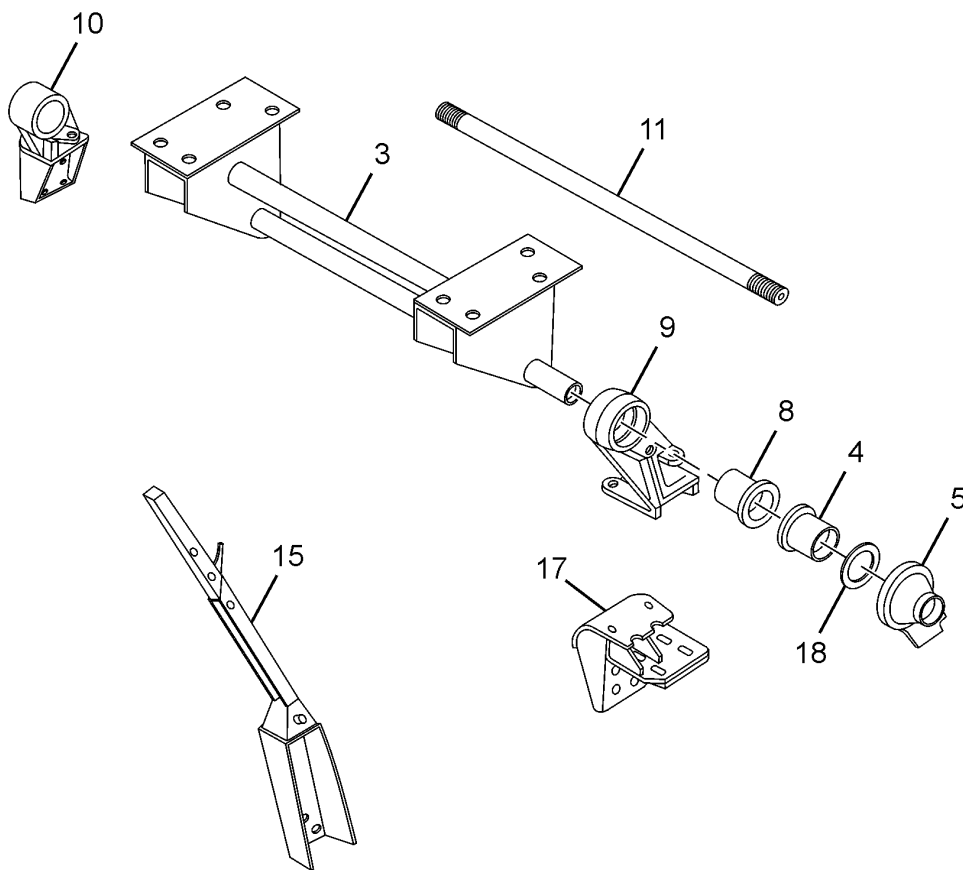
60.83.02		WATER VALVE AND PIPING		GROUP 83	
CHASSIS TYPE: ALL					
FIG. NO.	PART NUMBER	DESCRIPTION	QTY	REMARKS	
—	265483500109	ASSY.LEVER (WATER VALVE)	1		
-	265483500108	ASSY.WATER VALVE	1		
—	265183500119	ASSY.BRKT.-LHD [WATER VALVE MTG.]	1		
20	265483505803	RUBBER HOSE (THERMOSTATE TO WATER VALVE).	1		
21	274783505803	RUBBER HOSE(HEATING)	1		
22	274783505802	RUBBER HOSE(HEATING)	1		
-	265483300177	HOSE CLAMP-25	6		

CHASSIS TYPE: ALL



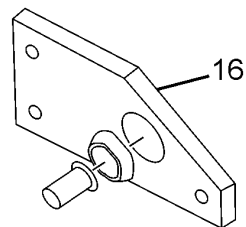
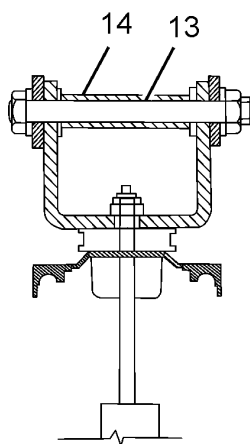
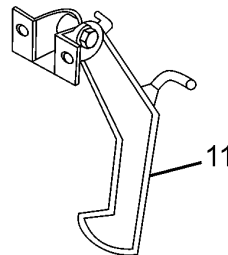
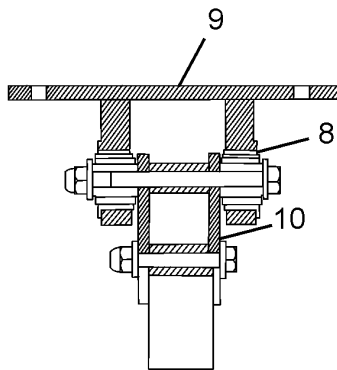
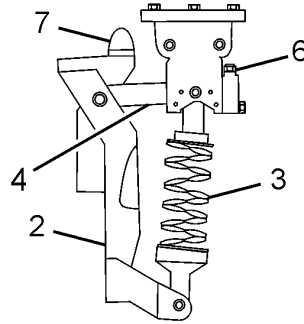
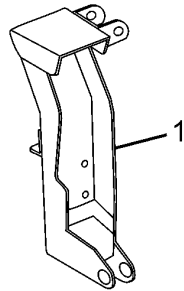
60.88.01		BUMPER, FENDER (TILT CAB)		GROUP 88	
CHASSIS TYPE: ALL					
FIG. NO.	PART NUMBER	DESCRIPTION	QTY	REMARKS	
1	274788500119	ASSY. BUMPER COMPLETE	1		
	274766610108	ASSY. STEP COMPLETE(BUMPER)	1		
2	274788500116	ASSY. SUPPORT LH (BUMPER MTG.)	1		
2	274788500117	ASSY. SUPPORT RH (BUMPER MTG.)	1		
6	257354410137	ASSY. REFLEX REFLECTOR	2		
	274788503305	BRACKET SIDE BUMPER MTG.	2		
8	274788200101	ASSY. FENDER LH	1		
8	274788200102	ASSY. FENDER RH	1		
9	274766600110	ASSY STEPWELL-LH	1		
9	274766600111	ASSY STEPWELL-RH	1		
	274781106323	COVER REAR MOUNTING LH	1		
	274781106324	COVER REAR MOUNTING RH	1		

CHASSIS TYPE: ALL



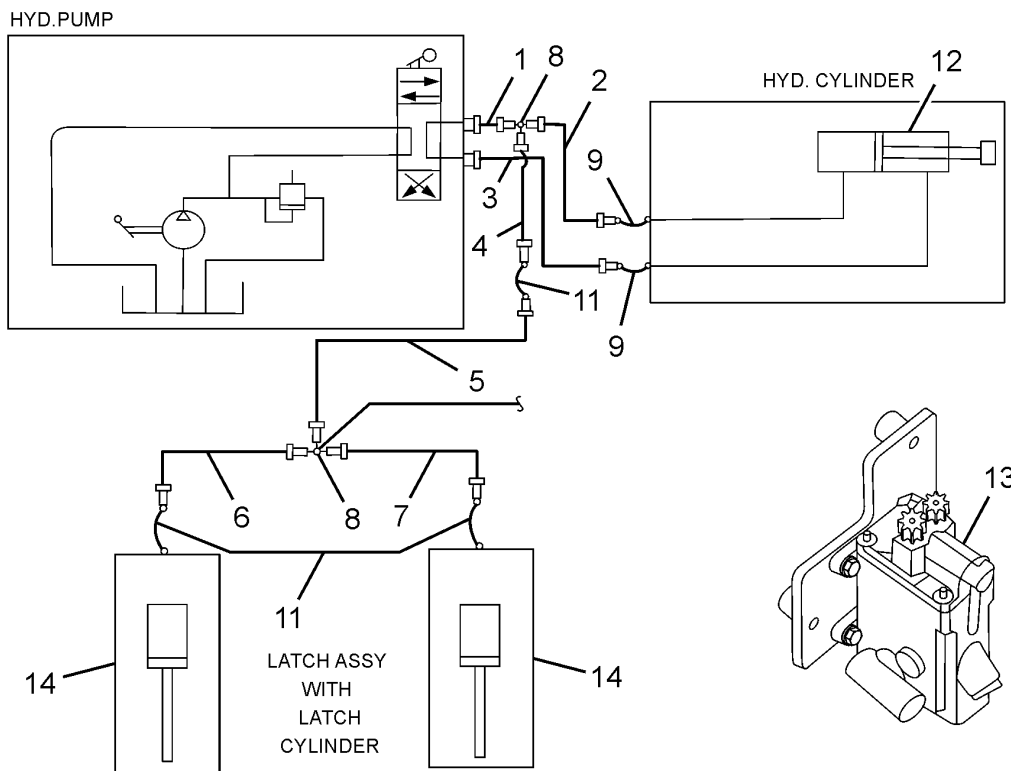
60.89.01		CAB MOUNTING (FRONT) (TILT CAB)		GROUP 89
CHASSIS TYPE: ALL				
FIG. NO.	PART NUMBER	DESCRIPTION	QTY	REMARKS
3	274789100105	ASSY.CROSS TUBE (FRONT MOUNTING)	1	
4	264189103404	SPACER BUSH	2	
5	264189103703	ADJUSTER RH (TORSION BAR)	1	
8	264189110134	ASSY.RUBBER BUSH FRT.MTG.-COLD TEMP.APPL	2	
9	274789100134	ASSY. CAB MTG. FRONT LH	1	
10	274789103702	MOUNTING BRACKET BOTTOM RH	1	
11	264189107903	TORSION BAR	1	
	264189108004	SPECIAL BOLT (FOR ADJUSTER)	1	
15	274789100161	ASSY. STAY COMPLETE	1	
17	274789100191	ASSY. CAB MTG. FRONT RH	1	
18	274789108242	SHIM	AR	

CHASSIS TYPE: ALL



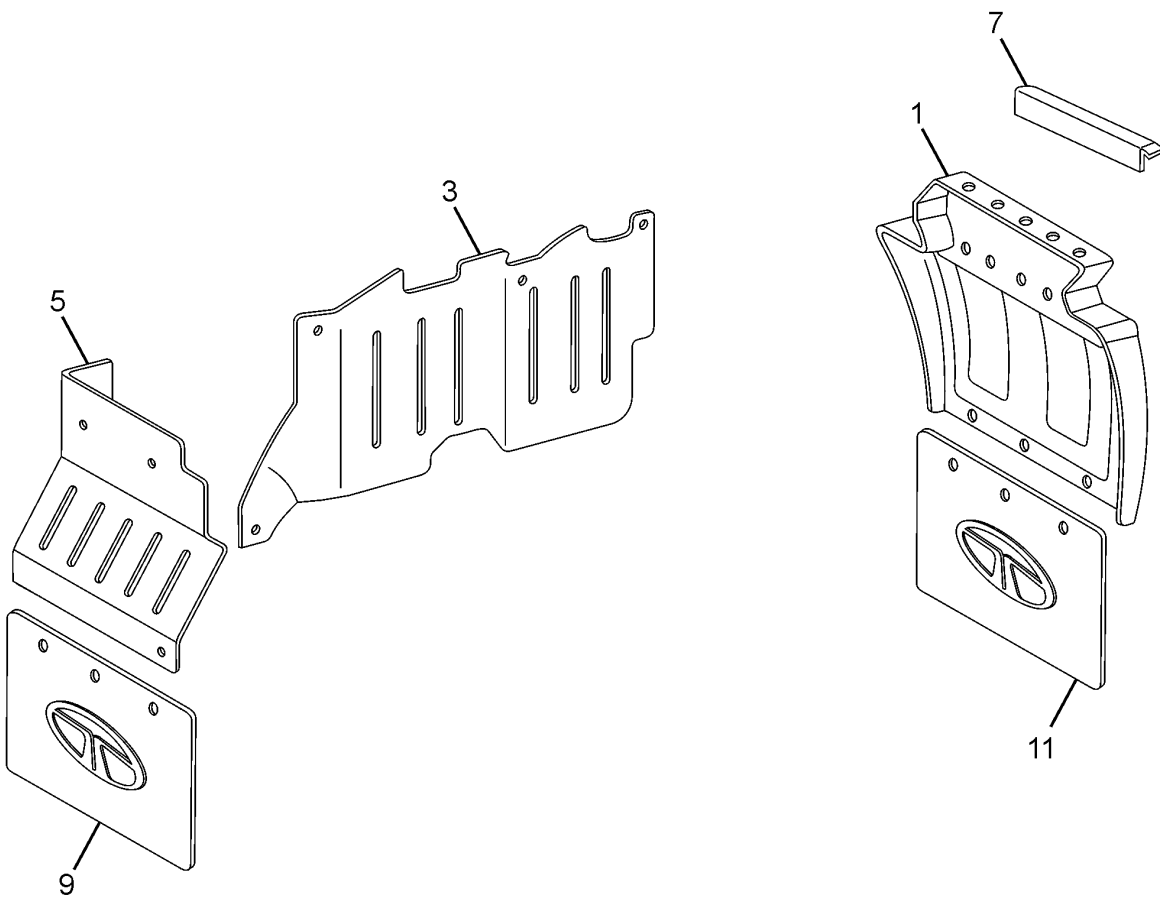
60.89.02		CAB MOUNTING (REAR) (COIL AND DAMPER)		GROUP 89
CHASSIS TYPE: ALL				
FIG. NO.	PART NUMBER	DESCRIPTION	QTY	REMARKS
1	274789110112	ASSY.CAB MTG.BRACKET REAR COMPL.LH(CH.SIDE)	1	
2	274789110113	ASSY.CAB MTG.BRACKET REAR COMPL.RH(CH.SIDE)	1	
	274789110157	ASSY.TIE MEMBER (REAR MTG)	1	
	274789100191	ASSY.CAB MTG.FRONT RH	1	
3	274789110173	ASSY.SHOCK ABSORBER CAB MTG.(NON SLEEPER)	2	
4	274789110145	ASSY.LEVER DAMPER GUIDE COMPLETE	2	
6	274789110177	ASSY.LATCH WITH LATCH CYL.RH.	1	
7	265432110128	ASSY.RUBBER STOPPER(BUMP)	2	
	274789106312	BALATA PACKING	2	
8	274789110141	ASSY.SLEEVE & BUSH(CAB LATCH MTG.)	4	
9	274789110142	ASSY.SIDE BRACKET LATCH MOUNTING	2	
10	264189100134	ASSY.LINK COMPL.SHOCK ABSORBER	2	
11	274789110101	ASSY.SECONDARY LOCK (LOCK MECH.)	1	
13	274789103202	STEP PIN (STRIKER MOUNTING)	2	
14	274789103407	SLEEVE (LOCK SEATING)	2	
16	274789110160	ASSY.BRACKET CYL.MTG.BOTTOM(ON FRAME)	1	
	274789106709	PIN (CYL.MTG.ON CAB)	1	
	274789108601	SPACER	2	
	274789109201	STEP WASHER	1	
	274789106707	CLEVIS PIN (LINK MOUNTING)	4	

CHASSIS TYPE: ALL



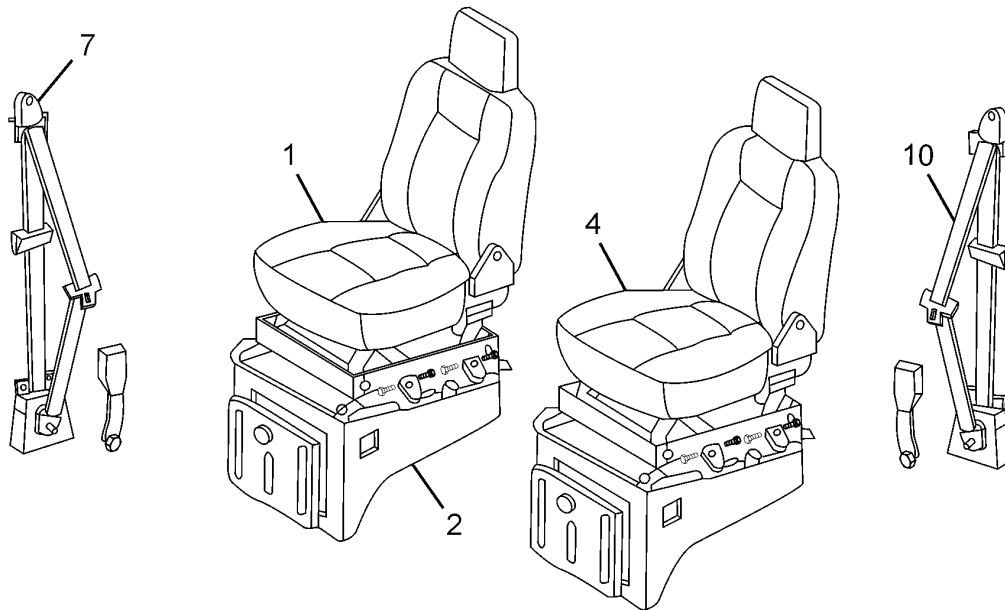
60.89.03		CAB MOUNTING REAR (HYDARULIC CYLINDER AND PIPES)		GROUP 89
CHASSIS TYPE: ALL				
FIG. NO.	PART NUMBER	DESCRIPTION	QTY	REMARKS
1	274789900113	ASSY METAL PIPE (PUMP TO 3-WAY BEFORE.CYL)	1	
2	274789900116	ASSY METAL PIPE (3-WAY TO HOSE)	1	
3	274789900115	ASSY METAL PIPE (PUMP TO HOSE BEFORE.CYL.)	1	
4	274789900114	ASSY METAL PIPE (AFTER 3-WAY TO HOSE)	1	
5	274789900117	ASSY METAL PIPE(3-WAY TO LHS LATCH HOSE)	1	
6	274789900118	ASSY METAL PIPE(3-WAY TO RHS LATCH HOSE)	1	
7	274789900119	ASSY METAL PIPE(3-WAY TO RHS LATCH HOSE)	1	
8	265142806803	THREE WAY UNION	2	
9	274789900109	ASSY.HOSE (CYLINDER TO 3 WAY UNION)TUBE TO CYL.	2	
11	274789900108	ASSY.HOSE (LATCH TO 3 WAY UNION)LATCH TO TUBE LH/RH	3	
12	274789110153	HYD.CYLINDER CAB TILTING)	1	
13	274789110184	ASSY.HYD PUMP (W/ADAPTER & W/O BASE PLATE)	1	
14	274789110109	ASSY.LATCH WITH LATCH CYL.LH	1	
14	274789110126	ASSY.LATCH WITH LATCH CYL.LH	1	
	274789120112	ASSY.BKT HYDRAULIC PUMP MTG.	1	

CHASSIS TYPE: ALL



60.89.04		MUD GUARD AND MUD FLAP (TILT CAB)		GROUP 89
CHASSIS TYPE: ALL				
FIG. NO.	PART NUMBER	DESCRIPTION	QTY	REMARKS
1	274789106338	MUDGUARD LH	1	
1	274789106339	MUDGUARD RH	1	
—	274789110189	ASSY. MUDGUARD MOUNTING BRACKET LH	1	
—	274789110190	ASSY. MUDGUARD MOUNTING BRACKET RH	1	
3	264189106312	MUDFLAP MIDDLE INNER LH	1	
3	264189106313	MUDFLAP MIDDLE INNER RH	1	
5	274789120113	ASSY MUDFLAP FRONT INNER RH-LHD (RUSSIA)	1	
5	274789120114	ASSY MUDFLAP FRT INNER-LH LHD (RUSSIA)	1	
7	264189106307	SEALING (REAR MUDGUARD)	2	
9	274789100193	ASSY. ARRESTOR (SPRAY SUPPRESION)	2	
—	274789106333	MUDGUARD LH (SPRAY SUPPRESION)	1	
—	274789106334	MUDGUARD RH (SPRAY SUPPRESION)	1	
11	264189110137	ASSY.MUDFLAP FRT.OUTER RH-COLD TEMP.APPL	2	
11	264189110138	ASSY.MUDFLAP FRT.OUTER RH-COLD TEMP.APPL	2	

CHASSIS TYPE: ALL



60.91.01		SEATS AND SEAT BELTS (TILT CAB)		GROUP 91	
CHASSIS TYPE: ALL					
FIG. NO.	PART NUMBER	DESCRIPTION	QTY	REMARKS	
1	264191000148	ASSY DRIVER SEAT COMPL.WITH HD.REST-RHD	1		
2	264191100112	ASSY. SEAT BOX COMPLETE (RH SEAT)	1		
4	264191000149	ASSY DRIVER SEAT COMPL.WITH HD.REST-LHD	1		
	274791100110	ASSY. SEAT BOX COMPLETE (DRIVER SEAT)	1		
7	264191500112	ASSY. SEAT BELT KIT DRIVER SIDE	2		
		ASSY. SEAT BELT WITH TONGUE RH	2		
		ASSY. SEAT BELT WITH BUCKLE	2		
10	264191500165	ASSY. SEAT BELT KIT CO DRIVER (RH SIDE)	1		

