

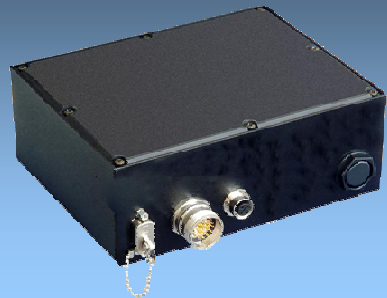
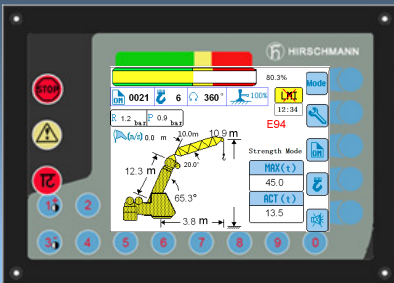


HIRSCHMANN

A **BELDEN** BRAND

HC4900 Load Moment Indicator

User Manual



Edition 6 / Aug, 2014

**For Zoomlion RT Crane
With 5-section boom**

Copyright

©2010 by Hirschmann Electronics (Shanghai) Co., Ltd

This document contains propriety information which is protected by copyright law. All rights reserved. The manual may not be copied, reproduced or translated into another language, neither whole nor in part, without advance written authorization from Hirschmann.

Edition 6 on Aug 2014

Reproductions must abide by the copyright law.

Declaration

The manufacturer reserves the right to modify the contents of this manual without notice.

Hirschmann offers no guarantee whatsoever for this material, including guarantees with reference to commercial availability and suitability for particular applications.

Hirschmann shall not be liable for errors contained herein or for identical or consequential damages in connection with the furnishing, performance, or use of this manual.

Hirschmann Electronics (Shanghai) Co., Ltd

Suite 10K, Huamin Empire Plaza, No.728, West Yan An Road, Shanghai, P.R.China

Tel: 021-51082780

Fax: 021-52375899

Zip code: 200050

Website: <http://www.hirschmann-ac.com>

Catalogue

1. GENERAL INFORMATION	- 1 -
2. WARNING.....	- 2 -
3. SYSTEM CONFIGURATION.....	- 3 -
3.1 HC4900 CONTROLLER	- 4 -
3.2 IC4600 CONSOLE.....	- 4 -
3.3 DAVS PRESSURE TRANSDUCER	- 5 -
3.3.1 Technical data	- 5 -
3.3.2 Installation.....	- 5 -
3.4 LWG208 LENGTH/ANGLE SENSOR.....	- 6 -
3.4.1 Technical data	- 6 -
3.4.2 Installation.....	- 6 -
3.5 ANTI-TWO BLOCK SWITCH	- 8 -
3.5.2 Installation.....	- 9 -
4. OPERATION AND DISPLAY INTERFACE.....	- 10 -
4.1 DATA DISPLAY INTERFACE (VALUES ARE NOT REAL)	- 11 -
4.2 UTILIZATION DISPLAY (BAR GRAPH).....	- 13 -
4.3 INDICATOR LIGHT.....	- 13 -
5. OPERATION METHOD	- 15 -

5.1 FUNCTION SETTING.....	16 -
5.2 OM SETUP	19 -
5.3 REEVING SETUP	20 -
5.4 ERROR CODE REFERENCE TABLE.....	21 -
5.5 BUZZER STOPPING	22 -
5.6 CHANGE CYLINDER	22 -
6. LMI SYSTEM FUNCTIONS	24 -
6.1 WARNING	24 -
6.2 PROHIBITION	24 -
7 DAILY MAINTENANCE AND CALIBRATIONS	25 -
7.1 MAINTENANCE.....	25 -
7.2 LENGTH SENSOR ADJUSTMENT	25 -
7.3 ANGLE SENSOR ADJUSTMENT	26 -
7.4 BUZZER ALARMING.....	26 -
7.5 LENGTH CABLE RETRACT UN-SMOOTHLY	27 -
7.6 QUESTION AND ANSWER.....	27 -
8. HINTS AND TROUBLE SHOOTING.....	29 -
9. HC4900 CONNECTING DIAGRAM	35 -
10. OM LIST	36 -

1. GENERAL INFORMATION

HC4900 Load Moment Indicator (LMI) provides effective information to operators, which will assist an operator maintain a machine to work within its design parameters. LMI provides the operator with the information of the length and angle of the boom, tip height, working radius, rated load and the actual load weight and so on.

Using various sensing devices, the load moment indicator monitors machine's various operational functions and provides the operator with a continuous reading of the machine's capacity. The readings change continuously in response to the different operations of the machine.

If forbidden conditions are approached, the HC4900 Load Moment Indicator will warn the operator by sounding an audible alarm, lighting a warning light and locking out those functions that may aggravate the machine's condition.

This user manual is used for Zoomlion RT crane with a 4-section boom.

2. WARNING

The LMI control system is used to assist in the safe operation of the crane by warning crane operator of approaching overload conditions and of over-hoist conditions that could cause damage to equipment and personnel.

The device is not, and shall not, be a substitute for good operator judgment, experience and use of accepted safe machine operating procedures.



Caution

Safe operation is the responsibility for every machine operator. Every machine operator must ensure that they read all warnings and instructions carefully and fully understand the contents. Correct operation depends on daily careful checking and serious study of the Manual.



Warning

The LMI is not able to provide aid to the machine operator unless it has been properly adjusted and unless the correct load capacity chart and the correct operating code have been entered for the respective rigging configuration. The correctness of the LMI setups must be ensured before beginning machine work in order to avoid damage to property and severe or even fatal injuries to personnel



Warning

If the LMI fails or is not functioning properly, stop the operation of the crane immediately and contact an expert service engineer. Hirschmann Electronics Co., Ltd. does not assume any responsibility for undesirable consequences resulting from continued use of the crane if the LMI is not functioning!



Caution

Hirschmann Electronics Co.,Ltd. shall not be liable for damages caused by welding crane without power off the controller.

Hirschmann Electronics Co.,Ltd. shall not be liable for damages caused by power on the controller at a thunderstorm weather.

3. SYSTEM CONFIGURATION



HC4900 LMI System configuration

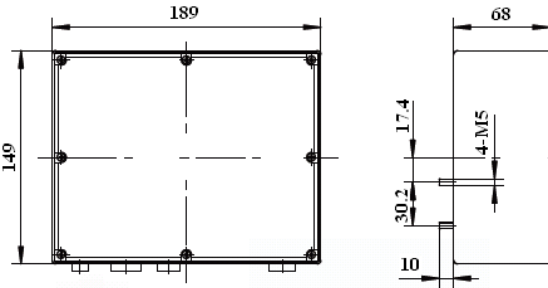
HC4900 LMI system comprises a HC 4900 central unit with an IC 4600 console together with various sensors to record the measured values.

The system operates on the principle of reference/real comparison. The actual value is compared with the calculated reference values and evaluated by the system. An overload warning signal is triggered on the display and operating console once limit values are reached. All machine movements that increase the load moment are switched off at the same time.

The crane-specific data specified by the manufacturer, such as load capacity charts, boom weights, centers of gravity and dimensions, are stored in the central data memory. This data is the reference information used to calculate the operating conditions. The boom angle and length is measured by means of length and angle sensors that are mounted on the boom. The crane load is determined indirectly with the aid of pressure transducers.

3.1 HC4900 Controller

HC4900 controller features high-performance, precise and limiting load moment function in harsh environment.



Technical data:

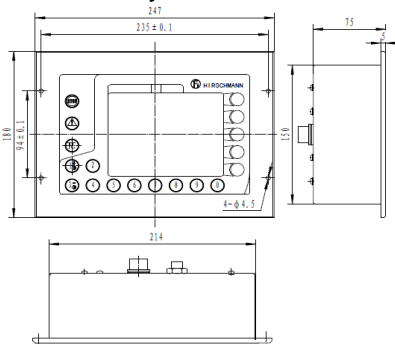
- System clock: 40MHz
- Program memory: 16MB Flash
- Protection class: IP65
- Communication interface:
1×CANopen 1×RS232
- Operating voltage: 12V~30VDC
- Operating temperature: -20°C~+70°C

HC4900 controller dimension

Storing temperature:-30°C~+80°C

3.2 IC4600 Console

IC 4600 monochrome console is designed for outdoor construction vehicles and mobile machinery. It complies with international standards for environmental testing, EMC testing, and CE certification. Its easy programming, convenient online debugging, and rich paint library functions (point, line, arc, rectangle, progress bar, virtual instrument panel, such as function) help you to more efficiently understand and utilize the LMI system.



Technical data:

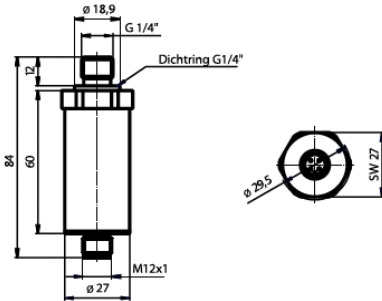
- Operating voltage: 12~36VDC
- Operating temperature: -20°C~+70°C
- Storing temperature: -30°C~+80°C
- Resolution: 320*240(monochrome)
- Communication interface: 1×RS232,
1×CANopen
- Protection class: Front IP65 Back IP44

IC4600 Console dimension

3.3 DAVS Pressure transducer

DAVS pressure transducers measure high static and dynamic pressure values of liquids or gases in rough operating environment. Measurement precision is maintained even during continuous operation at extremely dynamic pressure. The oil pressure transducer comes with a pressure connector with standardized G1/4 thread or other hydraulic connectors.

3.3.1 Technical data



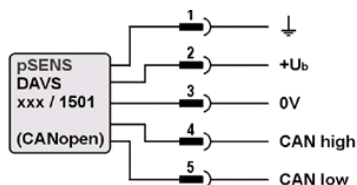
Operating voltage: 8~32VDC
 Signal: CANopen
 Operating temperature: -40°C~+85°C
 Storing temperature: -40°C~+100°C
 Protection class: IP67
 Life expectancy: > 10 million cycles
 Hysteresis tolerance: $\langle \pm 0.1\%FS \text{ max.}$

3.3.2 Installation

Please notice the location of hydraulic piping and valve when installing the pressure transducer. By thread connection (such as follow graph), screw the pressure transducer in the hydraulic piping or seat of the balancing valves or hydraulic valves. Add the appropriate seal to the display to prevent oil leakage. Guarantee the installation position is safe and easy for cable connecting. Make sure the pressure sensor and hydraulic adaptor connect tightly. The tightening moment of G1/4 connector is 20Nm



Pressure transducer installation

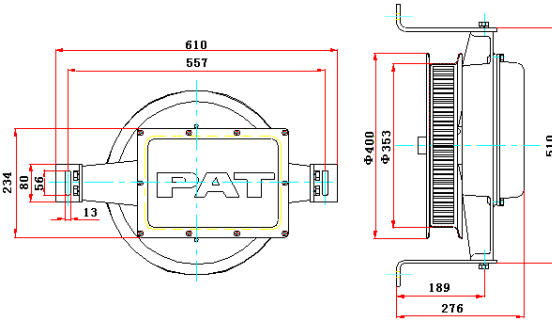


Connector pin assignment

3.4 LWG208 Length/Angle sensor

LWG series Length/Angle sensor can be directly installed and can precisely measure the angle and the length of boom with largest measurement length of fifty meters. The sealed housing protects the inside components from water inclusion, humidity etc.

3.4.1 Technical data



Operating voltage: 15~30VDC

Operating temperature: -25°C~
+75°C

Storing temperature: -40°C~
+80°C

Protection class: IP65

Linearity tolerance: $\langle \pm 0.2^\circ$

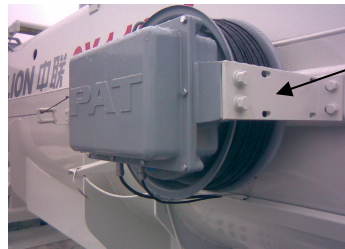
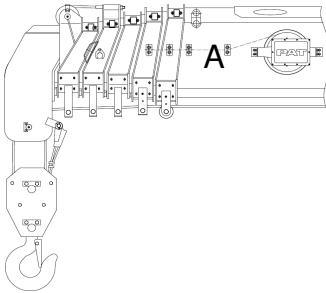
Resolution: $\langle \pm 0.1^\circ$

Hysteresis tolerance: $\langle \pm 0.1^\circ$

LWG208 Length/angle sensor dimension

3.4.2 Installation

Length/Angle sensor is installed on the main boom. Manufacturers can fix the bracket of the sensor to the crane boom by welding tap blocks and bolting it in place. When installing the sensor, the position shall be well considered, generally along the foot points of boom to the top direction. The sensor (left type) is typically installed on the left of the boom (aligned with the cab) to leave room for the fly (jib) on the right side of the boom. The sensor can be located on the right side as required. The cover can be turned 180° to put the PAT name facing upward.



Bracket

LWG208 Length/angle sensor installation

- Length/Angle sensor consists of housing, a spring-loaded cable drum with measuring cable and mounting equipment.
- Make the boom horizontal. Make sure the sensor is parallel with the main boom and the bracket is straight before fixing the bracket by bolts.
- Make sure there are at least two turns measuring cable in the drum when the cable is pulled out. The recommended length of the cable = effective needed measure length + two turns cable+ about 1 meter cable for connection.
- The cable drum of the sensor must rotate following the direction of the cable being pulled out. Rotate the cable drum 4 to 5 turns to pre-tighten the drum and then pull out the cable to the tip of the boom for connection.
- Use the guiding wheel to keep the measuring cable at the same level. Place guiding wheels so as to prevent cable deflection, which will result in the cable being difficult to pull out and to retract smoothly:
 - Make sure the first guiding wheel A is in front of the sensor center 1.5m~2m. Ensure the guiding wheel turn width is slightly less than or equal to the cable drum turn width.
 - Make sure the center of the cable guiding wheel A and other wheels are in alignment and also parallel with the main boom.
- The measuring cable should be fixed to the tip of the boom tightly and the

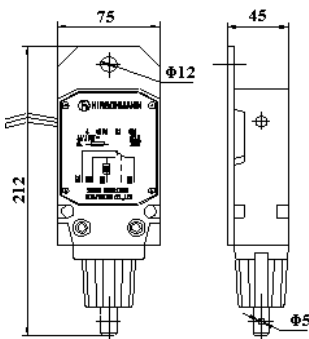
fixed point should be at the same level with the sensor center to guarantee the cable is parallel with the boom.

- The Length/Angle sensor sometimes needs to be adjusted. Press the cable drum line to make the cable drum plane parallel with the boom plane. Rotate the cable drum and observe until the swing get smaller amplitude. If the cable drum swing too much because of the shape distortion and can't be adjust, please stop the installation and repair or replace the Length/Angle sensor.
- Make sure the spring force of the measuring cable is sufficient and the cable drum is rotating smoothly after installation is completed.
- If the measuring cable is already at the pre-tighten length when boom is retracted, the pre-tighten turns can be reduced.

3.5 Anti-two Block Switch

Anti-Two Block Switch is a normally open limit switch for winches, lifting devices and cranes. It is a simple, direct installation and compact design. The sealed housing protects the inside components from water inclusion, humidity etc.

3.5.1 Technical data



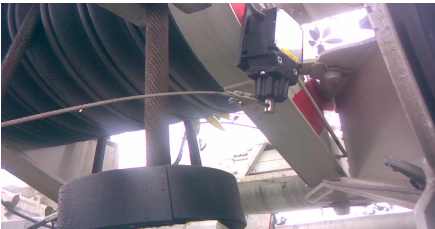
A2B Switch dimension

Operating voltage:	15~30V
Operating voltage:	-25V~+70V
Storing temperature:	-40°C~+70 °C
Protection class:	IP67
Life expectancy:	>5×10 ⁶ times
Housing:	aluminum
Weight:	1.2kg

3.5.2 Installation

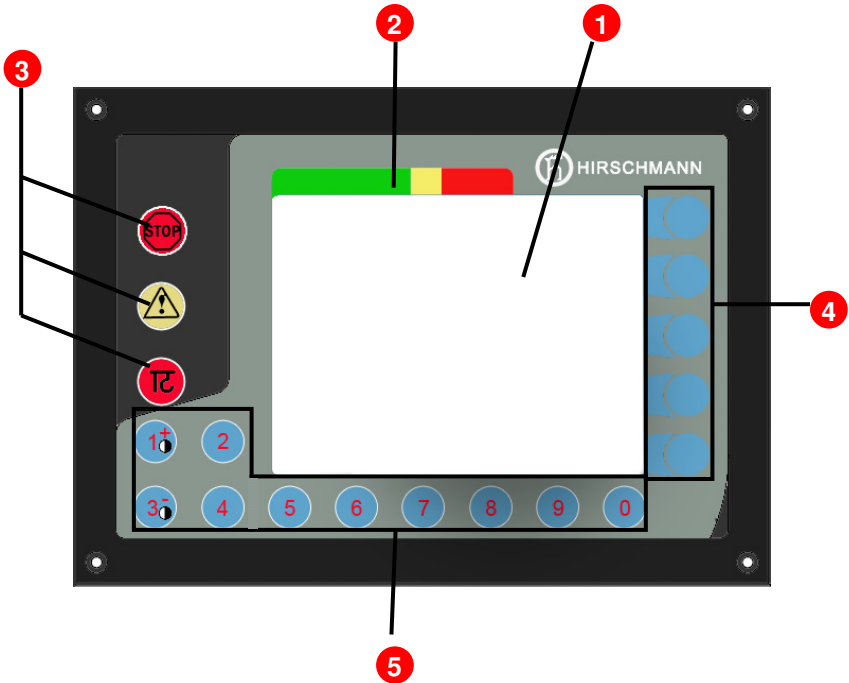
The switch should be installed on the side of boom head where the beginning of the lifting rope is fixed. Make sure the hammer is connected to the lifting rope and is free to actuate the switch.

The signal connector and cable must be waterproof and connected correctly.



A2B Switch installation diagram

4. OPERATION AND DISPLAY INTERFACE



1. Data display(background lit)
2. Bar graph(utilization)
3. Indicator light (refer to 4.3)
4. Function keys: Function keys F1-F5 are related to the key symbols which present on the display
5. Numerical keys: They can be used to input values or select function items in accordance with the number on the display.

Note: At the main interface, numerical key 1 and 3 can calibrate the brightness of the console.

Operation notice:

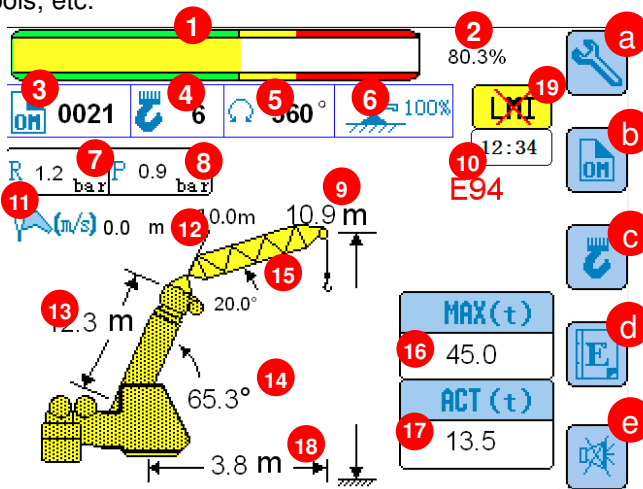
1. OM can only be switched when the boom is fully retracted.

2. Under the load lifting status of the RT crane, the OM switch between 360 lifting and front lifting is automatically done by the LMI based on the rotating field of the boom.
3. LMI bypass icon will be displayed on main interface if bypass switch is activated. The status will be displayed for 30 minutes and then automatically close. To cancel the LMI bypass condition, deactivate the bypass signal.



4.1 Data display interface (values are not real)

The Data display (320×240) is an LED display with background illumination and extended temperature range, on which essential data are displayed. The data is dependent on the operating mode, such as load values, geometry and crane data, symbols, etc.



Main interface (values shown are for illustration):

Data display:

1. Load moment percentage bar graph
2. Load moment percentage displayed value
3. OM code
4. Reeving
5. Rotary angle
6. Outrigger mode
7. Rid pressure
8. Piston pressure
9. Operating height
10. Time (error code will be displayed when defect)
11. Wind speed
12. Fixed jib boom length
13. Main boom length
14. Main boom angle
15. Fixed jib boom angle
16. Rated load capacity
17. Actual load
18. Working radius
19. Enforced icon (OEM special requirement)

Icon Key symbols definition:

- a. Function setting key (refer to 5.1)
- b. OM setting key (refer to 5.2)
- c. Reeving setting key (refer to 5.3) OM setting key
- d. Error code information key (refer to 5.4)
- e. Alarm off key (refer to 5.5)

4.2 Utilization display (bar graph)



The Utilization display (bar graph) indicates how much of the admissible load moment (rated moment) is used. As the rated moment changes constantly during load operation, the load moment display also changes constantly.

The utilization display is marked with differently colored fields:

- Green: "Safe" operation (0...90% of rated moment)
- Yellow: "Pre-warning range" (90...100% of rated moment)
- Red: "Overload range" (> 100% of rated moment)

4.3 Indicator light

Pre-warning lights



This yellow pre-warning light comes up when the load on the machine amounts to more than 90% of the respective maximum carrying capacity, which indicates that an overload situation is immediately pending.

For the operator, this means that the machine work can continue only with the greatest amount of caution.

Overload warning light



This red Overload warning light indicates to the machine operator that an overload condition has occurred. It lights up when the crane load has reached 100% of maximum load carrying capacity permitted for the current operating status. The acoustic alarm sounds. The load-moment-increasing crane movements are switched off at the same time

A2B switch lamp (if the machine need)



This red warning light lights up when the A2B (hoist limit) switch contacts open, i.e. when a hoist limit situation has occurred. The

acoustic alarm sounds and load-moment-increasing machine movements are switched off at the same time.

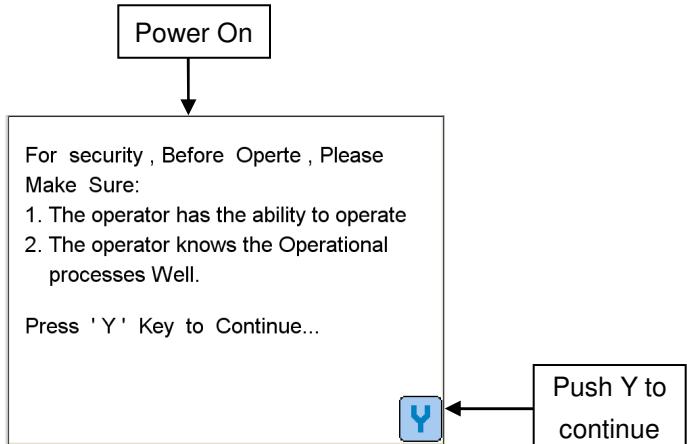
An A2B (hoist limit) situation occurs when the hook block comes into contact with the boom head. The danger exists in such situations that the hoist rope will break, causing the load to fall. A hoist limit situation could arise from the load being pulled against the boom head or from the boom being extended or lowered without the hoist rope having been allowed to slacken.

Test method as below:

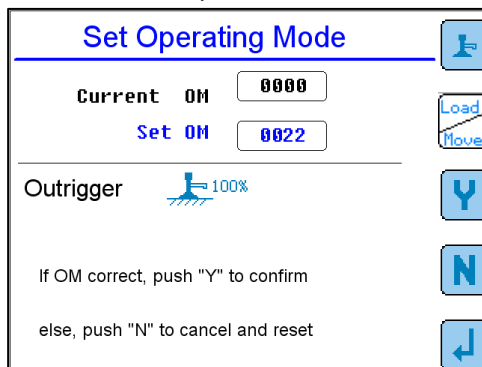
- Manually lifting the weight attached to the A2B switches, then the audible alarm sound and the A2B alarm light will light.
- Slowly raise the hook or lower the boom or extend (telescope) the boom to create a potential two-block condition, when the hook lifts the weight, the audible alarm sound, the A2B alarm light will light and the crane movement such as hoist up, luffing down, telescopic out will be stopped.
- If the light and audible alarm does not function as described and the crane movements are not stopped, the system is not working properly. The malfunction shall be corrected before operating the crane.


5. Operation method

With proper adjustments, the LMI will start to work automatically. The crane operator must be very familiar with the operation of LMI system and correctly adjust it before operating the crane. Below is a diagram of the startup screens.



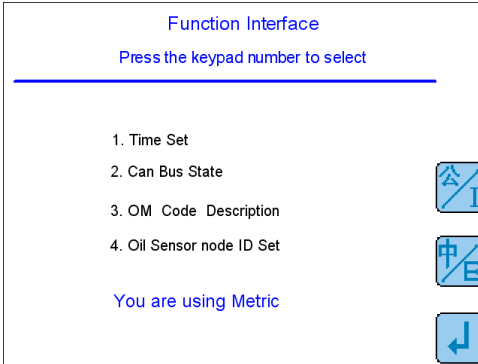
If all system checks are okay, then after pushing Y (F5 button), the Set Operating Mode screen will come up.



If OM is set correctly, push Y (F3 button) to confirm, then  (F5 button) to return to main screen. Otherwise set OM according to section 5.2.

5.1 Function setting

Press F1 key at the main display to enter into Function setup display:



Function setting interface

F3: Switch between Metric and Imperial units

F4: Switch between English and Chinese language

F5: Back to the main interface

Numerical key 1: Time setting

Numerical key 2: CANbus status query

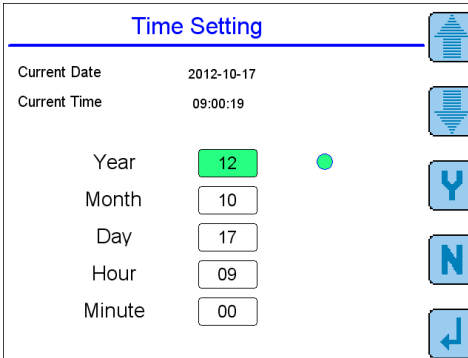
Numerical key 3: OM code query

Numerical key 4: Oil pressure node setting

In the metric display, the unit of length is “m” (meters) and the unit of weight is “t” (metric ton). In the imperial display, the unit of length is “ft” (feet) and the unit of weight is “kips” (lbs. x 1000). Metric and Imperial conversion relationship: 1 m = 3.2808 feet; 1 kg = 2.20462 pounds

◆ Time and date setup

Press numerical key 1 at the Function setup display to enter into time and date setup display:



Time and date interface

F1: Cursor up to select year month date hour and minute items.

F2: Cursor down to select year month date hour and minute items.

Input correct value of selected items by “numerical keys”

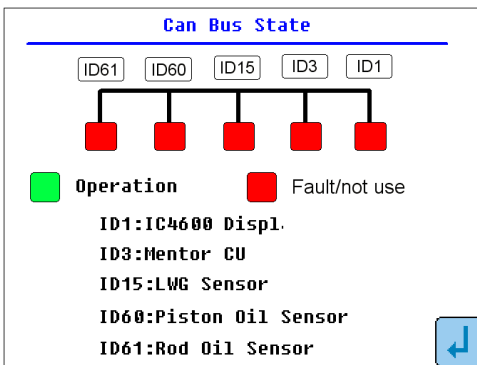
F3: Confirm all entres (The current time and date would change into the new setting ones)

F4: Reset the selected item zero

F5: Back to the previous interface

◆ CAN bus status query

Press numerical key 2 at the Function setup display to enter into CANbus status overview display:



CAN bus status query interface

The “CAN bus status display” show CAN communication status of all the LMI components and the meanings of the status symbol. When any node is fault, Operators can quickly find out the defective node and defective reasons.

F5: Back to the previous interface

◆ **OM code query**

Press numerical key 3 at the Function setup display to enter into OM code information display (please use the displayed actual data on console):

OM Description	OM Code
Main Boom	AB01
Main Boom + Fixed Jib 10.0m - 0°	AB11
Main Boom + Fixed Jib 10.0m -20°	AB12
Main Boom + Fixed Jib 10.0m -40°	AB13
Main Boom + Fixed Jib 17.0m -0°	AB21
Main Boom + Fixed Jib 17.0m -20°	AB22
Main Boom + Fixed Jib 17.0m -40°	AB23
Main Boom Head Sheave	AB02

When set OM, needn't set A and B,
Just set the value behind A and B!

OM code query interface

Operators can find OM code information in accordance with every different crane operating mode, which offer great help for OM setup.

F1: Enter into OM setup display (refer to 5.2)

F5: Back to the previous interface

The OM Code is comprised of four digits – **ABCD**

A – Outrigger and Tire Configuration – number is automatically assigned during OM Setup (refer to section 10 for OM List).

B – Swing Angle – number is automatically assigned based on input from swing angle sensor.

0 – Swing angle is greater than 3° but less than 357°

1 – Swing angle is between 357° and 3°

NOTE: Number in B position will automatically change based on swing angle.

C&D – Boom Configuration (refer to section 10 for OM List)

5.2 OM Setup

Since the working conditions of the crane are different, the LMI must be set up to represent the actual configuration of the crane. To do that, the LMI must be configured into a representative Operating Mode (OM) code. Before operating the crane, find out the matched OM code according to the crane type and the actual configuration, then enter the appropriate information into the LMI for: A) outrigger configuration, B) parts of line of the hookblock being used and C) boom configuration.




WARNING

Correctly setting the OM guarantees the proper function of the system and the crane. Only operators who are thoroughly familiar with the crane and the operation of the system are qualified for the setting the OM codes. Improperly setting the OM code in the LMI will result in false readings being displayed, which can lead to a serious accident occurring.

Set Operating Mode






Current OM

Set OM

Outrigger  100%

If OM correct, push "Y" to confirm

else, push "N" to cancel and reset

F1: Select outrigger / tire configuration

F2: Select static load lifting or creep on tires

F3: Confirm OM code (After confirmation Current OM will change to Set OM)

F4: Reset the OM code to zero

F5: Back to the main display

OM setup interface

Push N (F4 button) to reset the OM code. Push Y (F3 button) once the proper configuration has been selected. See following page for outrigger / tire configuration & static load lifting or creep on tires setup. Refer to section 10 for

OM code table to look up proper code to enter for the boom configuration.

Outrigger / Tire Configuration



Push F1 to scroll through and select appropriate outrigger and tire configurations.

- * On tires (No need for outriggers)
NOTE: F2 must be set for either static lifting or creep, if “On tires” configuration is selected.
- * On outriggers, extend to 0% (fully retracted)
- * On outriggers, extend for 50% (half extended)
- * On outriggers, extend for 100% (fully extended)

Static Load Lifting or Creep on Tires



Push F2 to scroll to either Static Load Lifting or Creep on Tires.

NOTE: If an incorrect OM code is entered, Current OM code will change to **BBBB**. If this occurs, push N (F4 button) and enter a permissible code. An example of this is if **On Tires** and **Creep** are selected, but the swing angle is not $\pm 3^\circ$, then Current OM will change to **BBBB** and error message will occur.

5.3 Reeving setup



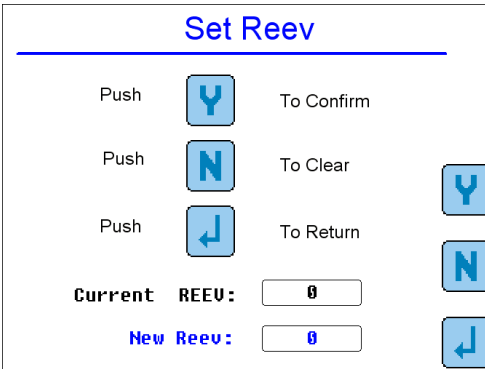
Reeving setting is to adjust the LMI reeving equal to the lifting cable of the crane. Operators shall carefully adjust the displayed reeving equal to the actual reeving before start to work.



WARNING

The Reeving must be set equal to the actual Reeving, otherwise the LMI may not be able to work properly.

Press F4 key at the main display to enter into Reeving setup display.



F3: Confirm Reeving (After confirmation, Current REEV will change to New Reev setting)
F4: Reset the Reeving to zero.
F5: Back to the main display

Set Reev interface

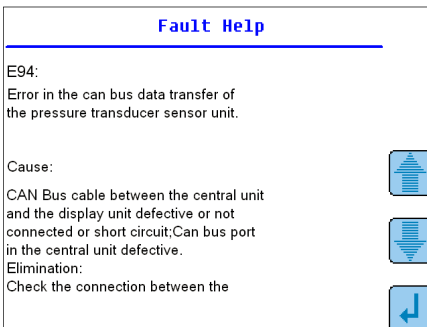
To change reave setting (parts of line of chosen hookblock), push N (F4 button) to reset. Then enter the proper parts of the line of the chosen hookblock (using numeric keys). Press Y (F3 button) to confirm change. **NOTE:** Current REEV will change to New Reev setting. Push ◀ (F5 button) to return to screen.

5.4 Error Code Reference Table



When the system is malfunction, the error code will appear at the main display. Through the error code information in the table, crane operators and service engineers can better understand what the error code stands for, and quickly find out the fault reasons and suggested solutions.

Press F4 key at the main display to enter into error code informatoin display:



F3: Scroll up for the previous error code information
F4: Scroll down for the next error code information
F5: Back to the main interface

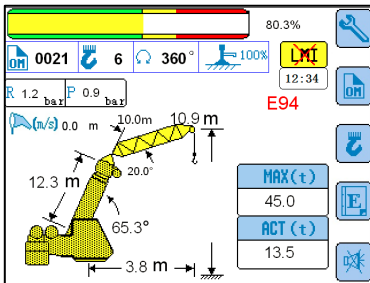
Error code query interface

5.5 Buzzer stopping



The buzzer of HC4900 console will alarm at the following situation:

- Actual load exceeds the max. rated load moment
- The hook is approaching height limitation (A2B fault)
- Exceed the operating range of the crane
- LMI system defective
- Operation fault

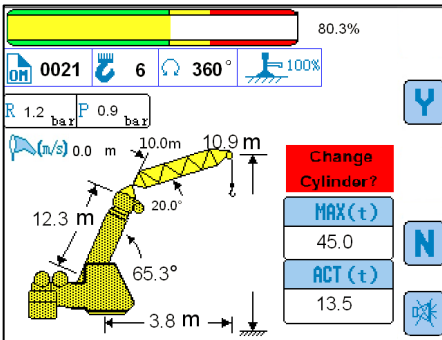


Main interface

Press F5 to stop the buzzer alarming temporarily.

5.6 Change Cylinder

When the first cylinder extends to the maximum length, the following page is displayed.



F2: Confirm changing the cylinder

F4: Cancel changing the cylinder

F5: Stop the buzzer alarming temporarily



CAUTION

The audible alarm is only temporarily silenced. The fault that caused the alarm to go off still exists and should be corrected immediately. The alarm will sound again if fault is not corrected or if a new fault is detected.

6. LMI System Functions

6.1 Warning

Under any below conditions, HC4900 LMI system will light up and send out alarm for warning.

- The crane is overload or exceed operating range
- The hook approaching height limitation
- Malfunction

6.2 Prohibition

If a fault occurs, the LMI system will send alarm warning and all of the following crane's movements will be prohibited:

- Boom luffing down
- Telescope out
- Hoist up

At this moment only the movements toward safe direction are allowed:

- Boom luffing up
- Boom retract
- Hoist down



CAUTION

When the cut-off device is activated this cut-off signal will always keep be out. Functions such as “dangerous direction operation is not allowed”, “only safe direction operation is allowed” is realized by cooperating with the crane's electronics system which including “ safe direction inspect switch”, “safe overflow solenoid valve” etc. The LMI system cannot judge the operation is safe or dangerous itself.

7 Daily maintenance and calibrations

Please maintain and adjust as follows and contact us if you have any questions.

7.1 Maintenance

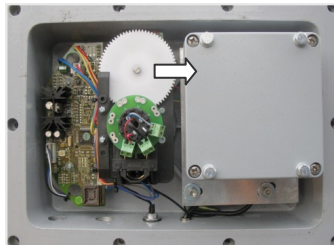
Maintenance items listed below should be done daily.

- Check all components of the LMI system to make sure no cable is damaged or broken.
- Check the insulating layer of all the cables. If the insulating layer or the wire inside damaged, please replace new one immediately.
- Check the pressure transducers at the luffing cylinder and the connection hoses for oil leakage.
- Check the cable reel wire for sufficient tension.
- Check the cable reel mounting & torsion spring for proper function.
- Check the angle transducer for oil leakage.

7.2 Length sensor adjustment

When the displayed boom length is not correct (exceed the permitted error ranges), please adjust as follows:

Retract the boom to the basic boom condition and check the pre-stressing force of the cable reel (cable must be tight) and then open the cover of the length/angle sensor (cable reel) and turn the axle of the length potentiometer slowly(see arrow mark) till the displayed value to be the same with the actual length.

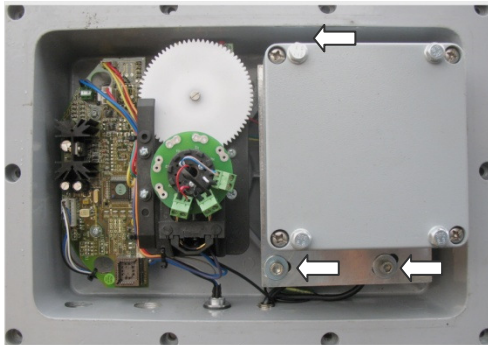


Length sensor adjustment (see arrow above)

7.3 Angle sensor adjustment

The angle sensor is installed in the same house with the length sensor.

First, retract the boom and make sure the length displayed is equal to the actual. Use the angle instrument to measure if the displayed value is the same when the actual angle is between 0° and 70° whether the displayed value is the same or use the tape to measure the working radius. If the displayed value or radius is not the same with the actual value, operators should adjust the angle sensor. Lose the 3 bolts (see the following pic.). Slowly turn the angle sensor till the displayed value accords with the actual value and then tight the 3 bolts again.



Angle sensor adjustment (see arrows above)

7.4 Buzzer alarming

After start up the system, there's no error code displayed at the console, but the buzzer keeps sound with no interruption. Please check if the length cable is fine, the A2B switch is normal, the connection of A2B switch and boom head connecting box is OK or the A2B connector is short circuit for water in.

7.5 Length cable retract un-smoothly

Sometimes when the boom is retracted, the length cable cannot return to the original position naturally or retract not smoothly. This is because that the coil-spring pre-tension is too low or the length cable in the cable reel has fallen off.

Please pre-tighten the length cable several circles to solve the problem:

- 1) Retract the boom and put it on the rack
- 2) Draw back the tip of the cable from the tip of the boom and retract to the cable reel.
- 3) Pre-tight the cable reel (turn the cable reel to the cable out direction, the length cable and the cable reel shall turn together) and make sure the cable can be pulled out and retracted smoothly.
- 4) Pull out the cable and fix it on the tip of the boom at the original place.
- 5) After pre-tight the cable reel the display of the boom length will be affected, please adjust the length sensor till the displayed value equal to the actual length.



CAUTION

Operators shall be very cautious for the above adjustment. Any incorrect action may seriously affect the crane and the operation. And after finish the adjustment, please confirm once again before start to work.

7.6 Question and Answer

1. Why the OM setting is correct but the current rated load is different with the performance diagram of manufacture (the parameter are all normal)?

Answer: Possible reason is your reeving setting is different with actual data. E.g. current performance shows the rated load is 20T and reeving setting is 1. But because the largest load for single steel cable is 4T, the rated load displayed on central unit is 4T.

2. When the outriggers are fully extended, current rated load is not same with performance diagram?

Answer: 1) maybe you have forgot to open the switch of outrigger fully extended on operation panel, 2) forgot to confirm the operation of outrigger fully extended during console OM setting of console.

3. Why does the system show E04?

Answer: OM setting is wrong, please set OM correctly.

4. When system has no mistake but the display parameter of crane are all wrong?

Answer: The measurement units of parameters (metric or imperial) may be set incorrectly. Go to set up and change.

5. Why the empty hoist load is wrong after boom extended?

Answer: Confirm whether the boom extend order is correct, please correctly use extend and restrict switch.

NOTE: This situation is only for cranes with multiple extend modes.

6. Why the LMI is warning and load percentage exceeded 100% while the crane still operation to dangerous direction?

Answer: 1) please check whether the enforce switch is open or not, 2) external circuit is open.

7. Why the load shows extremely large at some large angle?

Answer: Maybe under current boom length the largest angle has been reached, hydraulic pressure of luffing hydraulic cylinder raise to high point causing the above phenomenon.

8. Why current load is much small, the displayed percentage status bar show bigger number? The percentage calculation is not correct?

Answer: Our products are LMI protection equipment, percentage status bars means percentage of actual load and rated load, not percentage for displayed load and rated load.

NOTE: All above answer are possible reasons but not the only reason for the system errors. Please contact service engineer for further assistance.

8. Hints and Trouble Shooting

Any improper operation or LMI malfunction will cause an alarm and an error code to be displayed. The errors are caused by operations outside allowable parameters, by incorrect inputs or by other factors.

The following codes are displayed on the main screen when the system is in error condition. The list can be an aid in diagnosing the fault condition of the LMI system and can help in troubleshooting.

Error code	Error	Cause	Solutions
E01	Fallen below the radius range or angle range exceeded .	Due to the too much hoist up of the boom which result in lower than the min. radius or exceed the max. angle in the capacity chart.	Boom down to a permitted radius or angle in the load chart.
E02	Exceed the max. radius or lower than the min. angle.	Due to the too much hoist down which result in exceed the max. radius or lower than he min. angle.	Boom up to a permitted radius or angle in the load chart.
E04	OM not exist or exceed the motion of rotary range	<ul style="list-style-type: none"> ·OM code not exist ·Main boom operating area is not permitted 	Properly choose the OM according to actual operation and slew back to a permitted range.
E11	Fallen below lower limit value for measuring channel "length main boom"	Length potentiometer is defective PDB variable for analog value not supported Electronic component in the measuring channel is defective	Replace length potentiometer Setup of correct PDB variable for analog value in DGA6.i.3 Replace sensor unit

Error code	Error	Cause	Solutions
E12	Fallen below the lower limit value in the measuring channel "pressure piston side"	Pressure transducer is defective. PDB variable for analog value not supported Electronic component in the measuring channel is defective.	Replace pressure transducer Setup of correct PDB variable for analog value in DGA6.i.3 Replace sensor unit
E13	Fallen below lower limit value in the measuring channel "pressure rod side"	<ul style="list-style-type: none"> • Refer to E12 	<ul style="list-style-type: none"> • Refer to E12
E15	Fallen below lower limit value in measuring channel "angle main boom"	Angle potentiometer defective PDB variable for analog value not supported Electronic component in the measuring channel defective. CAN Circuit board defective Length sensor unit defective	Replace angle sensor Setup of correct PDB variable for analog value in DGA6.i.3 Replace sensor unit Replace CAN board Replace length sensor
E21	"Length sensor channel" voltage exceed the max. limitation.	<ul style="list-style-type: none"> • Refer to E11 	<ul style="list-style-type: none"> • Refer to E11
E22	"Piston-side pressure channel" voltage exceed the max. limitation .	<ul style="list-style-type: none"> • Refer to E12 	<ul style="list-style-type: none"> • Refer to E12

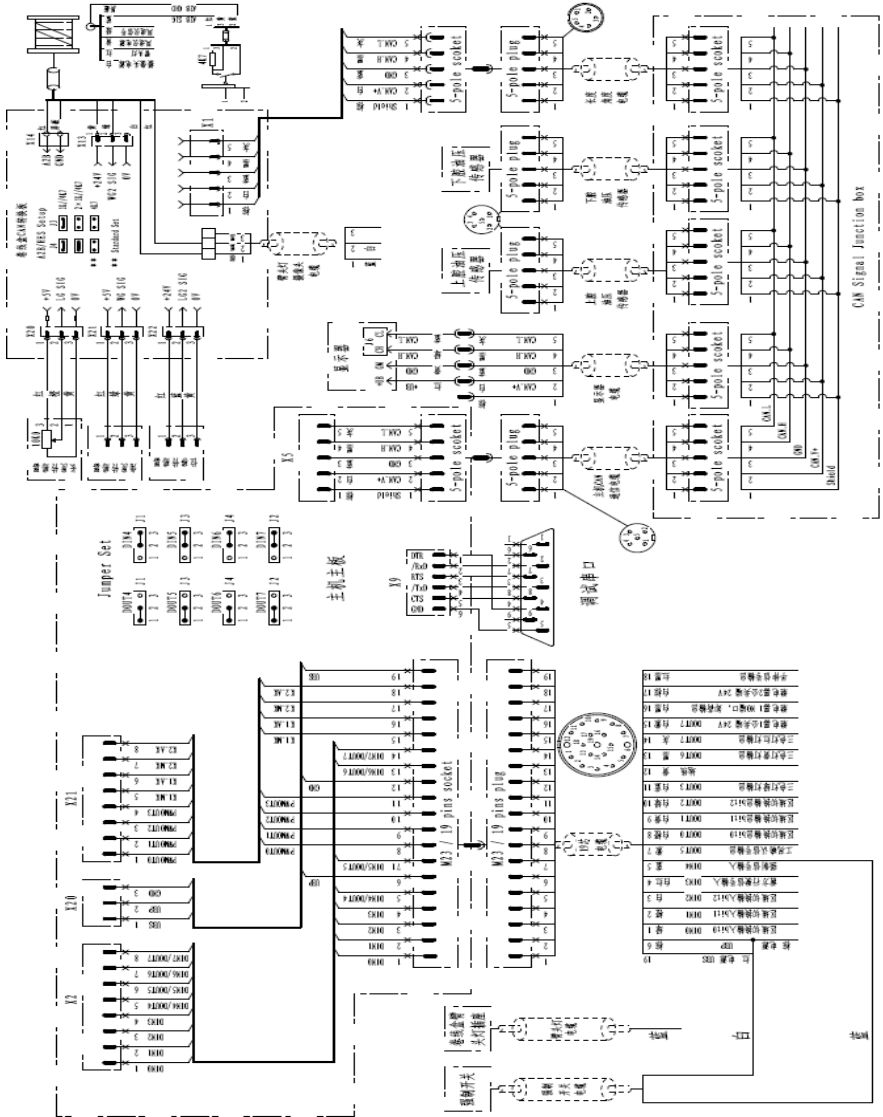
Error code	Error	Cause	Solutions
E23	“Rod-side pressure channel” voltage exceed the max. limitation.	<ul style="list-style-type: none"> • Refer to E12 	<ul style="list-style-type: none"> • Refer to E12
E25	“Main boom bottom angle sensor channel” voltage exceed the limitation.	<ul style="list-style-type: none"> • Refer to E15 	<ul style="list-style-type: none"> • Refer to E15
E32	Power supply defect	<ul style="list-style-type: none"> • +UB system not exist at the system start • +UB system not exist at the system finish • +UB connect/break fault 	<ul style="list-style-type: none"> • +UB System and +UB Power must be wired separately: +UB System connected direct with the crane battery. +UB Power for switch on/off • Re-connect/break +UB
E37	Logical programming fault	<ul style="list-style-type: none"> • Programming file fault • Flash-EPROM fault 	<ul style="list-style-type: none"> • Update effective software of the system • Change controller
E38	System program does not comply with crane data file	<ul style="list-style-type: none"> • The LMI system program is different from crane data file 	<ul style="list-style-type: none"> • Update effective system software or crane data file
E39	System program does not comply with performance table	<ul style="list-style-type: none"> • The LMI system program is different from performance table 	<ul style="list-style-type: none"> • Update effective system program or performance table
E43	RAM fault	<ul style="list-style-type: none"> • RAM or controller fault 	<ul style="list-style-type: none"> • Change controller

Error code	Error	Cause	Solutions
E47	Error in the monitored write/ read memory. The CRC verification of the monitored write/read memory provides an incoherent result	<ul style="list-style-type: none"> • The CRC sign of the monitored write/read memory is wrong • Buffering battery is tested no current (1kOhm, < 2V). • Controller defect 	<ul style="list-style-type: none"> • Re-start LMI • Change the buffering battery of controller • Change controller
E51	Crane data file fault	<ul style="list-style-type: none"> • No readable crane data file • Flash-EPROM defect 	<ul style="list-style-type: none"> • Up date crane data file • Change Flash-EPROM
E52	Loading curvilinear figure	<ul style="list-style-type: none"> • No readable crane performance table • Flash-EPROM defect 	<ul style="list-style-type: none"> • Update effective crane data file • Change controller
E53	Wrong setting of min. analogue length1, angle1 and pressure1	<ul style="list-style-type: none"> • Not support analogue output 	<ul style="list-style-type: none"> • Set correct Flag at DGA 6.i.2
E56	Crane data file fault	<ul style="list-style-type: none"> • No effective data file during adjustment • Flash-EPROM defect 	<ul style="list-style-type: none"> • Resume and update effective crane data file • Change controller
E57	Crane serial data file fault	<ul style="list-style-type: none"> • No effective data file in the adjusting data file • Flash-EPROM defect 	<ul style="list-style-type: none"> • Update effective data file by changing and saving datas((OM, limits) • Change controller

Error code	Error	Cause	Solutions
E61	CAN-bus data communication fault	<ul style="list-style-type: none"> • CAN-bus cable between controller and sensor defective or unconnected • Controller CAN-bus port fault • CAN-bus cable shortcircuit 	<ul style="list-style-type: none"> • Check the connecting cable between controller and sensor • Change controller • Change Can-bus cable
E62	CAN-bus data communication of pressure sensor fault	<ul style="list-style-type: none"> • cable between controller and sensor defective • Controller CAN-bus port fault • Sensor defect 	<ul style="list-style-type: none"> • Check the connecting cable of sensor • Change controller • Change sensor
E63	Can-bus pressure sensor fault	<ul style="list-style-type: none"> • Uneffective analogue value of sensor unit 	<ul style="list-style-type: none"> • Change sensor
E64	LWG Can-bus data transforming of fault	<ul style="list-style-type: none"> • Refer to E62 	<ul style="list-style-type: none"> • Refer to E62
E84	Wrong OM code	<ul style="list-style-type: none"> • OM selected not included in the crane data file 	<ul style="list-style-type: none"> • Choose another OM • Check the program of the crane data file
E85	Wrong judgement of range	<ul style="list-style-type: none"> • Range counted is too small (negative deflection) 	<ul style="list-style-type: none"> • Check the program of the crane data file
E89	OM code divert as the loading changes	<ul style="list-style-type: none"> • OM code of controller divert as the loading changes 	<ul style="list-style-type: none"> • Select OM code when without mainboom loading
E94	Communication between controller and console is fault	<ul style="list-style-type: none"> • Console or cable of console fault • CAN communication fault 	<ul style="list-style-type: none"> • Change console or cable of the console

Error code	Error	Cause	Solutions
E98	LMI watch dog open	<ul style="list-style-type: none"> • LMI watch dog operated overtime 	<ul style="list-style-type: none"> • Re-start the system • Connect PC final port and observe wrong information
EAB	A2B switch shortcircuit (A2B without wireless communication)	<ul style="list-style-type: none"> • Cable of A2B switch shortcircuit • Cable to A2B switch shortcircuit 	<ul style="list-style-type: none"> • Change A2B switch • Change the cable of A2B switch
EAC	A2B switch break (A2B without wireless communication)	<ul style="list-style-type: none"> • Cable of A2B switch break • Cable to A2B switch break 	<ul style="list-style-type: none"> • Connect or change the cable of A2B switch • Connect or change the cable to A2B switch
EAD	A2B switch defect	<ul style="list-style-type: none"> • Sensor function fault • Can-bus delay • Wireless teleport delay processing module (wireless A2B) • Uneffective wireless teleport ID 	<ul style="list-style-type: none"> • Change A2B switch • Change the cable of A2B switch • Replace battery of wireless processing module (wireless A2B) • Set ID at DGA12.9
EDB	Data logger setting fault	<ul style="list-style-type: none"> • Setting of data logger is eliminated (crane data file or buffering battery fault) 	<ul style="list-style-type: none"> • Re-send data and set data logger
EDC	Watch dog software of data logger open	<ul style="list-style-type: none"> • LMI processing data logger over-time 	<ul style="list-style-type: none"> • Re-start the system. • Connect PC final port and observe wrong information
EDD	No battery	<ul style="list-style-type: none"> • Voltage of battery is test low 	<ul style="list-style-type: none"> • Replace battery and set RTC

9. HC4900 Connecting Diagram



10. OM List

OM	Operating area	Outrigger status	Code of setting	Displayed code
Main boom OM Strength mode	360°	Fully extend	1	0001
	360°	Half extend		1001
	360°	Fully retract		2001
Main boom OM Stability Mode	360°	Fully extend	1	0003
	360°	Half extend		1003
	360°	Fully retract		2003
	360°	None		3003
	Front	None		3103
	Creep	None		4103
Tip boom OM Strength mode	360°	Fully extend	2	0002
	360°	Half extend		1002
	360°	Fully retract		2002
Tip boom OM Stability Mode	360°	Fully extend	1	0004
	360°	Half extend		1004
	360°	Fully retract		2004
	360°	None		3004
	Front	None		4004
	Creep	None		4104
1 st auxiliary boom 0°	360° operation	Fully extend	11	0011
1 st auxiliary boom20°			12	0012
1 st auxiliary boom40°			13	0013
2 nd auxiliary boom			21	0021

0°				
2 nd auxiliary boom20°			22	0022
2 nd auxiliary boom40°			23	0023

* Code of setting refers to the number required to be inputted during OM Setup to set the code for the respective OM listed in the table.